



Nothing but **HEAVY DUTY.**



M18 BMS12

M18 BMS20

Original instructions
Originalbetriebsanleitung
Notice originale
Istruzioni originali
Manual original
Manual original
Oorspronkelijke
gebruiksaanwijzing
Original brugsanvisning
Original bruksanvisning
Bruksanvisning i original

Alkuperäiset ohjeet
Πρωτότυπο οδηγίων χρήσης
Orijinal işletme talimatı
Původním návodem k používání
Původný návod na použití
Instrukcją oryginalną
Eredeti használati utasítás
Izvirna navodila
Originalne pogonske upute
Instrukcijām oriēnālvairodā
Originali instrukcija

Algupärane kasutusjuhend
Оригинальное руководство
по эксплуатации
Оригинално ръководство за
експлоатация
Instrucțiuni de folosire originale
Оригинален прирачник за
работа
Оригінал інструкції з
експлуатації
التعليمات الأصلية

Technical Data, Safety Instructions, Specified Conditions of Use, Declaration of Conformity, Batteries, Maintenance, Symbols	Please read and save these instructions!	English	12
Technische Daten, Sicherheitshinweise, Bestimmungsgemäße Verwendung, CE-Konformitätserklärung, Akku, Wartung, Symbole	Bitte lesen und aufbewahren!	Deutsch	15
Caractéristiques techniques, Instructions de sécurité, Utilisation conforme aux prescriptions, Déclaration CE de Conformité, Accus, Entretien, Symboles	A lire et à conserver soigneusement	Français	18
Dati tecnici, Norme di sicurezza, Utilizzo conforme, Dichiarazione di Conformità CE, Batterie, Manutenzione, Simboli	Si prega di leggere e conservare le istruzioni!	Italiano	21
Datos técnicos, Instrucciones de seguridad, Aplicación de acuerdo a la finalidad, Declaración de Conformidad CE, Batería, Mantenimiento, Símbolos	Lea y conserve estas instrucciones por favor!	Español	24
Características técnicas, Instruções de segurança, Utilização autorizada, Declaração de Conformidade CE, Acumulador, Manutenção, Símbolo	Por favor leia e conserve em seu poder!	Português	27
Technische gegevens, Veiligheidsadviezen, Voorgeschreven gebruik van het systeem, EC-Konformiteitsverklaring, Akku, Onderhoud, Symbolen	Lees en let goed op deze adviezen!	Nederlands	30
Tekniske data, Sikkerhedshenvisninger, Tiltænkent formål, CE-Konformitetserklæring, Batteri, Vedligeholdelse, Symboler	Vær venlig at læse og opbevare!	Dansk	33
Tekniske data, Spesielle sikkerhetshenvisninger, Formålsmessig bruk, CE-Samsvarserklæring, Batterier, Vedlikehold, Symboler	Vennligst les og oppbevar!	Norsk	36
Tekniska data, Säkerhetsutrustning, Använd maskinen Enligt anvisningarna, CEFörsäkrän, Batterier, Skötsel, Symboler	Läs igenom och spara!	Svenska	39
Tekniset arvot, Turvallisuusohjeet, Tarkoituksenmukainen käyttö, Todistus CE-standardinmukaisuudesta, Akku, Huolto, Symbolit	Lue ja säilytä!	Suomi	42
Τεχνικά στοιχεία, Ειδικές υποδείξεις ασφαλείας, Χρήση σύμφωνα με το σκοπό προοριζομένου, Δήλωση πιστότητας ΕΚ, Μπαταρίες, Συντήρηση, Σύμβολα.	Παρακαλούμε να τις διαβάσετε και να τις φυλάξετε!	Ελληνικά	45
Teknik veriler, Güvenliğinizi için talimatlar, Kullanım, CE uygunluk beyanince, Akü, Bakım, Semboller	Lütfen okuyun ve saklayın	Türkçe	48
Technická data, Speciální bezpečnostní upozornění, Oblast využití, Ce-prohlášení o shodě, Akumulátory, Údržba, Symboly	Po přečtení uschovejte	Česky	51
Technické údaje, Špeciálne bezpečnostné pokyny, Použitie podľa predpisov, CE-Vyhľadanie konformity, Akumulátory, Údržba, Symboly	Prosím prečítat a uschovať!	Slovensky	54
Dane techniczne, Specjalne zalecenia dotyczące bezpieczeństwa, Użytkowanie zgodne z przeznaczeniem, Świadcтво zgodności ce, Baterie Akumulatorowe, Utrzymanie, Symbole	Należy uważnie przeczytać i zachować do wglądu!	Polski	57
Műszaki adatok, Különleges biztonsági tudnivalók, Rendeltetésszerű használat, CE-azonossági nyilatkozatok, Akuk, Karbantartás, Szimbólumok	Olvassa el és őrizze meg	Magyar	60
Tehnični podatki, Specialni varnostni napotki, Uporaba v skladu z namembnostjo, CE-izjava o konformnosti, Akumulatorji, Vzdrževanje, Simboli	Prosim preberite in shranite!	Slovenščina	64
Tehnički podaci, Specijalne sigurnosne upute, Propisna upotreba, CE-Izjava konformnosti, Baterije, Održavanje, Simboli	Molimo pročitati i sačuvati	Hrvatski	66
Tehniskie dati, Speciālie drošības noteikumi, Noteikumiem atbilstošs izmantojums, Atbilstība CE normām, Akumulātori, Apkope, Simboli	Lūdzu, izlasīt un uzglabāt!	Latviski	69
Techniniai duomenys, Ypatingos saugumo nuorodos, Naudojimas pagal paskirti, CE Atitikties pareiškimas, Akumulatoriai, Techninis aptarnavimas, Simboliai	Prašome perskaityti ir neišimti!	Lietuviškai	72
Tehnilised andmed, Spetsiaalsed turvajuhised, Kasutamise vastavalt otstarbele, EÜ Vastavusavaldus, Akud, Hooldus, Sümbolid	Palun lugege läbi ja hoidke alal!	Eesti	75
Технические данные, Указания по безопасности, Использование, Декларация о соответствии стандартам ЕС, Аккумулятор, Обслуживание, Символы	Пожалуйста прочтите и сохраните эту инструкцию.	Русский	78
Технически данни, Специални указания за безопасност, Използване по предназначение, CE - Декларация за съответствие, Аккумулятори, Поддръжка, Символи	Моля прочетете и запазете!	Български	81
Date tehnice, Instrucțiuni de securitate, Condiții de utilizare specificate, Declarație de conformitate, Acumulatori, Întreținere, Simboluri	Va rugăm citiți și păstrați aceste instrucțiuni	Română	84
Технички податоци, Упатства за употреба, Специфицирани услови на употреба, EU- декларација за Сообразност, Батерии, Одржување, Символи	Ве молиме прочитајте го и чувајте го ова упатство!	Македонски	87
Технічні характеристики, Вказівки з Техніки Безпеки, Використання та призначенням, Сертифікат Відповідності Вимогам ЄС, Аккумуляторні батареї, Обслуговування, Символи	Прочитайте та зберіть цю інструкцію.	Українська	90
البيانات الفنية، تعليمات السلامة، شروط الاستخدام المحددة، البطاريات، إعلان المطابقة - الاتحاد الأوروبي، الصيانة، الرموز	يرجى قراءة وحفظ هذه التعليمات!	العربية	95



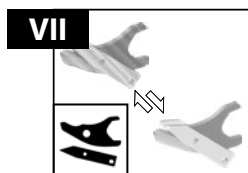
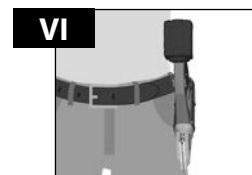
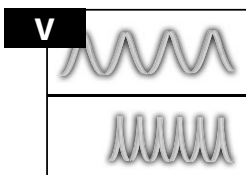
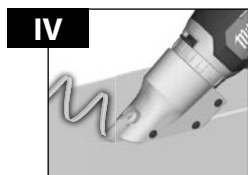
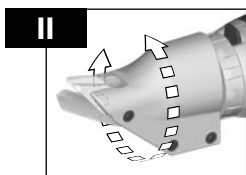
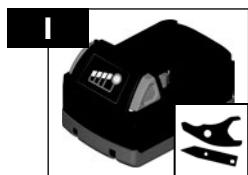


7



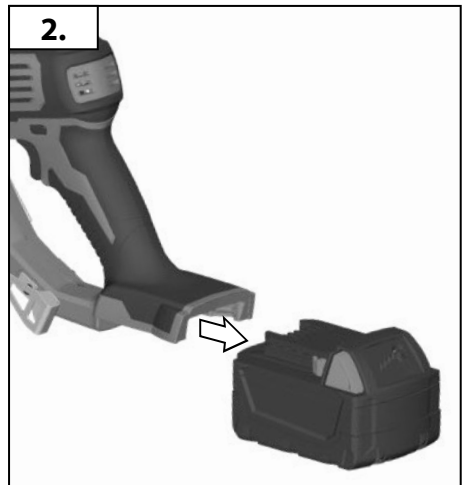
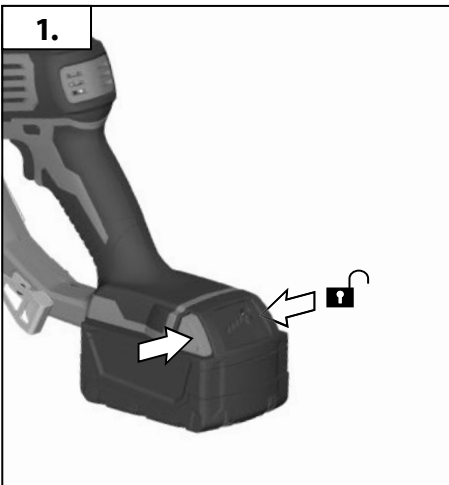
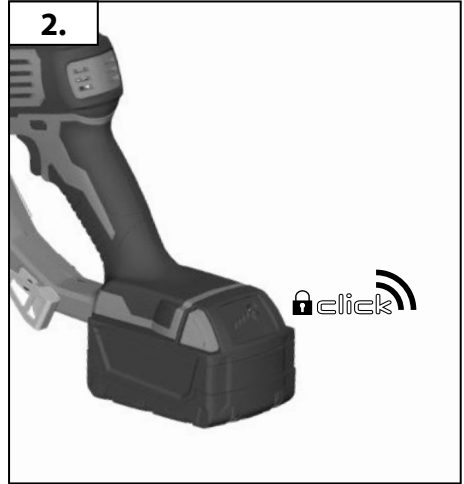
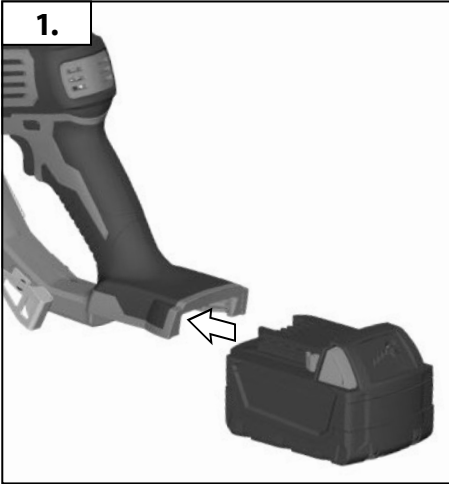
9

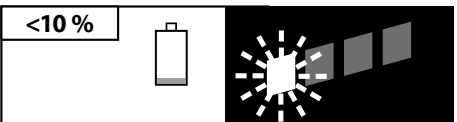
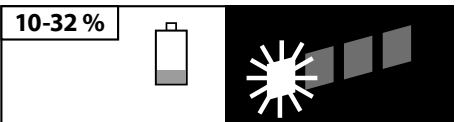
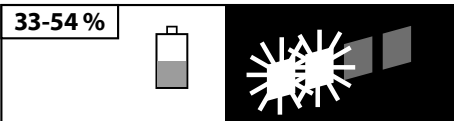
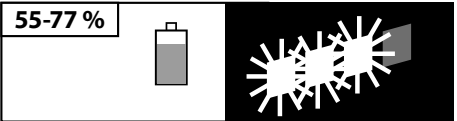
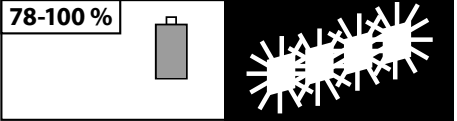
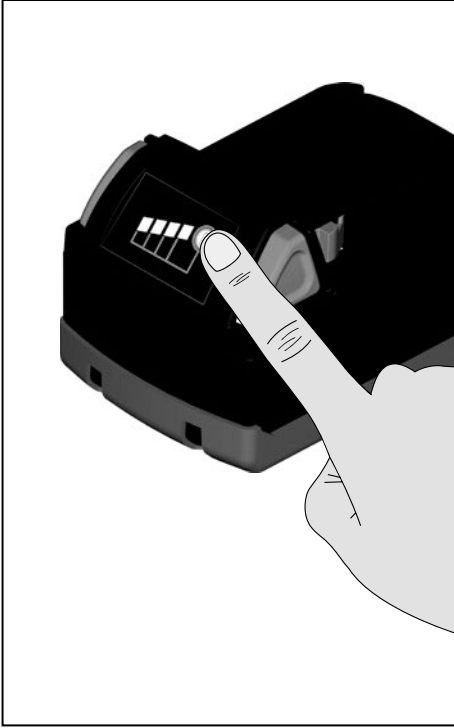
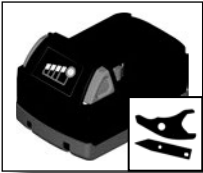


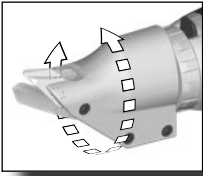


 Accessory
 Zubehör
 Accessoires
 Accessorio
 Accessorio • Acessório
 Toebehoren • Tilbehør
 Tilbehør • Tillbehør
 Lisälaite • Εξαρτήματα
 Aksesuar • Pihslušenstvn
 Pihslušenstv • Wyposażenie
 Azokat a tartozékokat
 Oprema • Piederumi
 Priedas • Tarvikud
 Дополнитель • Аксессуары
 Accessorii • ополнительна
 опрема • Комплектуочи
 الملحوق











START
STOP

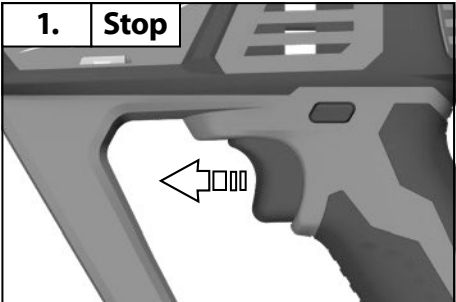
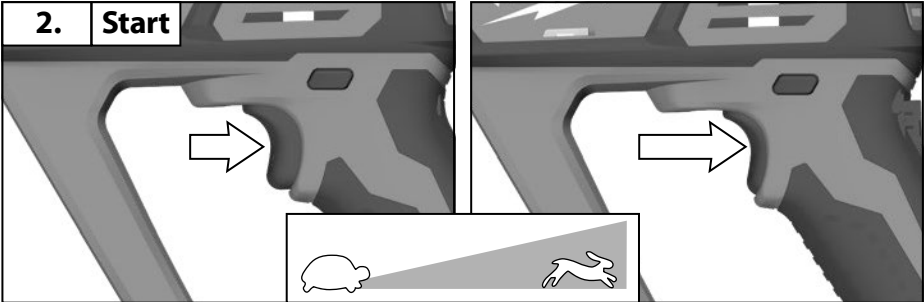


Insulated gripping surface

Isolierte Grifffläche
Surface de prise isolée
Superficie di presa isolata
Superficie de agarre con aislamiento
Superficie de pega isolada
Geisoleerde handgrepen
Isolerede gribeflader
Isolert gripeflate
Isolerad greppyta

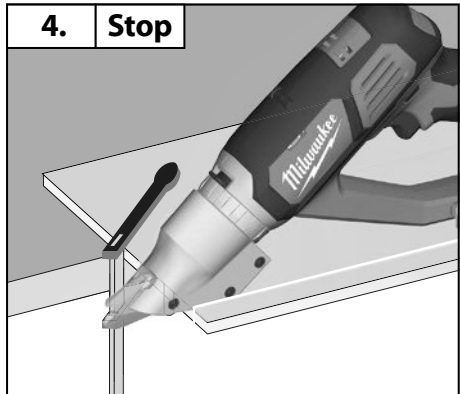
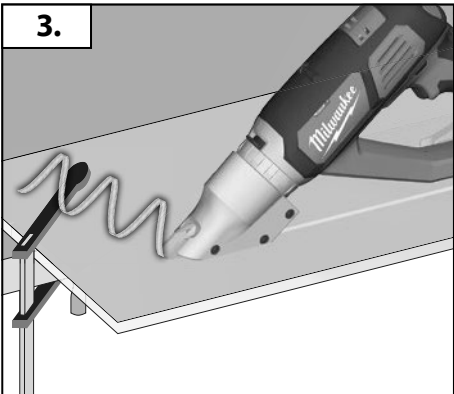
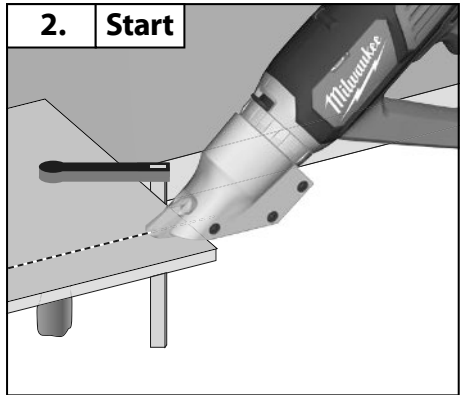
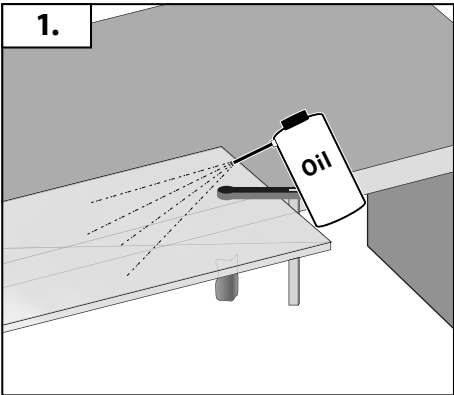
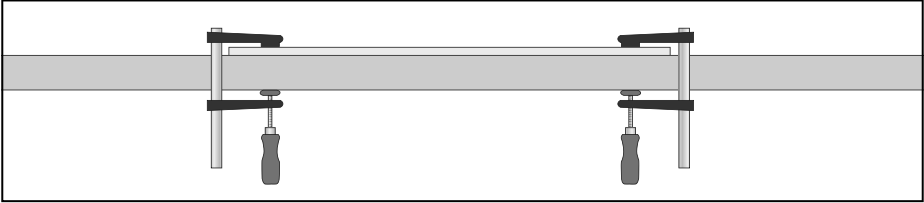
Eristetty tarttumapinta
Μονωμένη επιφάνεια λαβής
İzolasyonlu tutma yüzeyi
Izolovaná uchopovací plocha
Izolovaná úchopná plocha
Izolowana powierzchnia uchwytu
Szigetelt fogófelület
Izolirana prijemalna površina
Izolirana površina za držanje
Izolēta satveršanas virsma

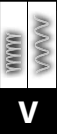
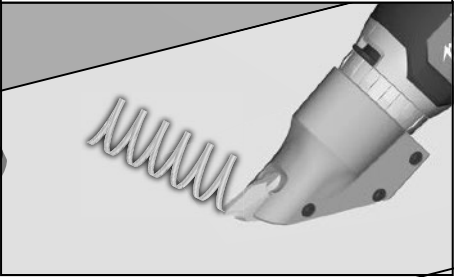
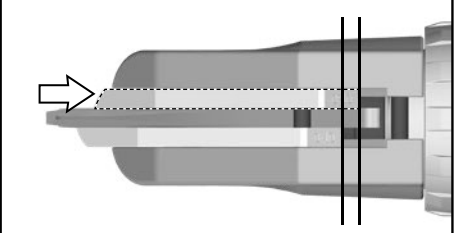
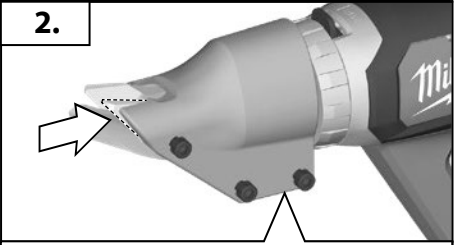
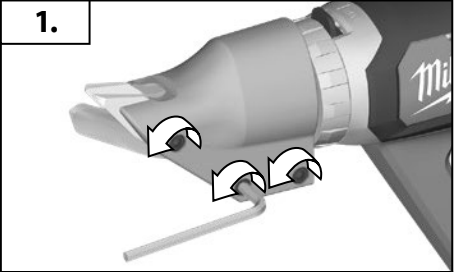
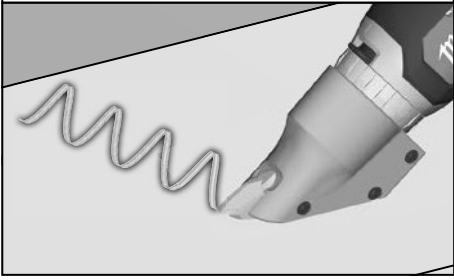
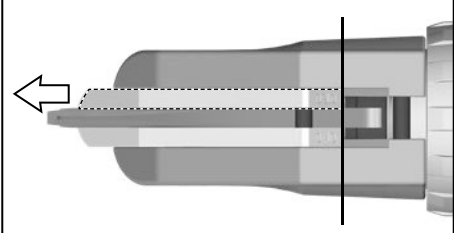
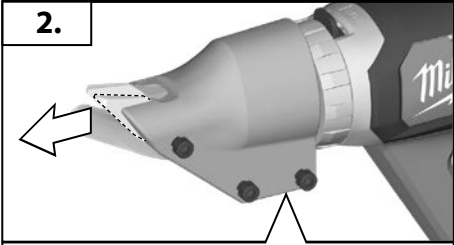
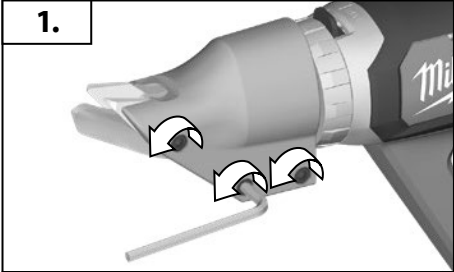
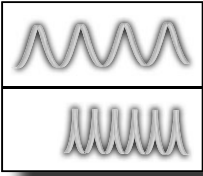
Izolijuotas rankenos paviršius
Isoleeritud pideme piirkond
Изолированная поверхность ручки
Изолирана повърхност за хващане
Suprafață de prindere izolată
Изолирана површина на дршката
Изолирована поверхня ручки
مساحة المقيض معزولة

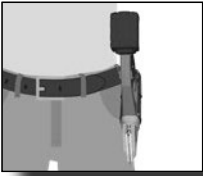




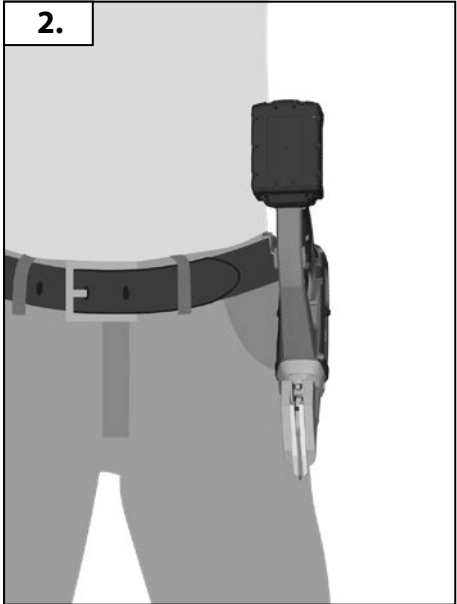
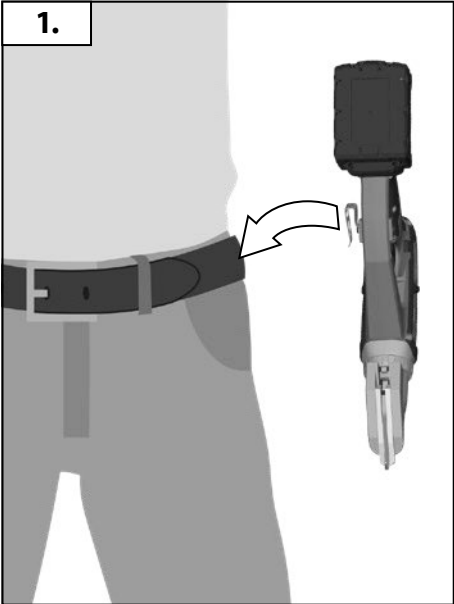
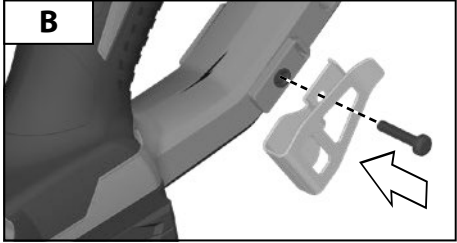
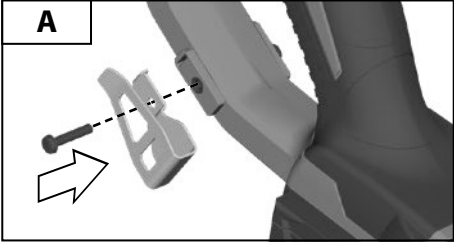
IV

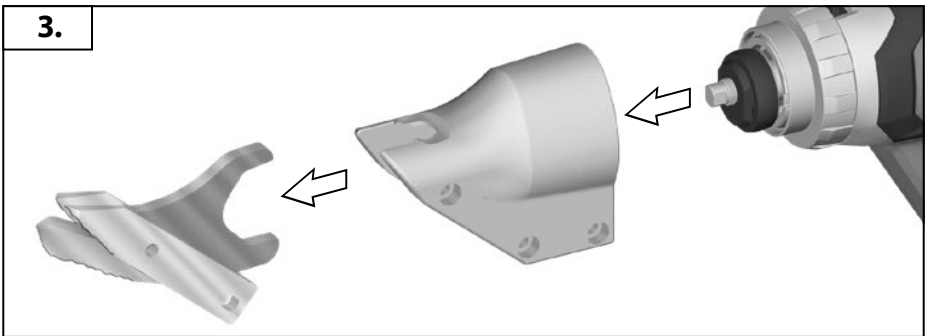
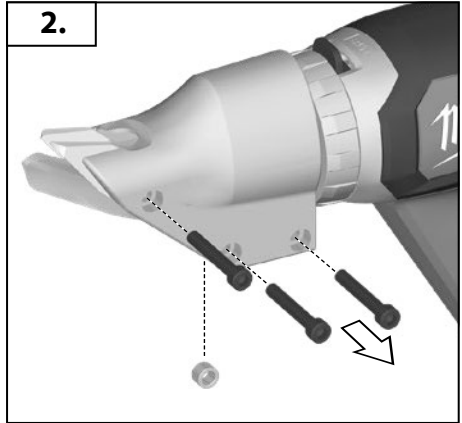
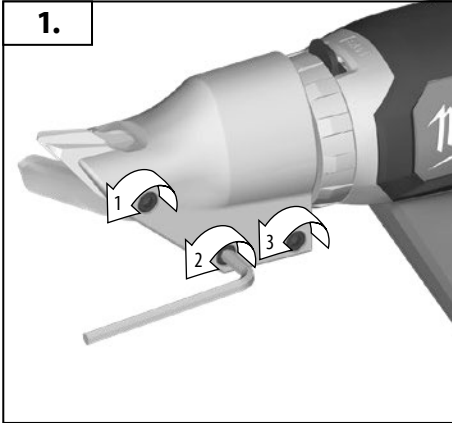
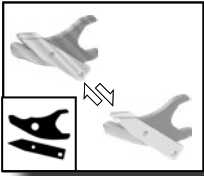






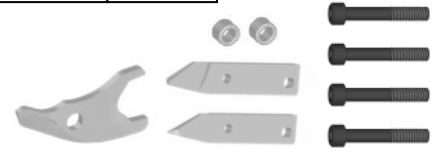
VI





M18 BMS12
4931 4480 09

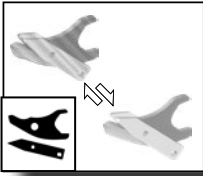
M18 BMS20
4931 4480 14



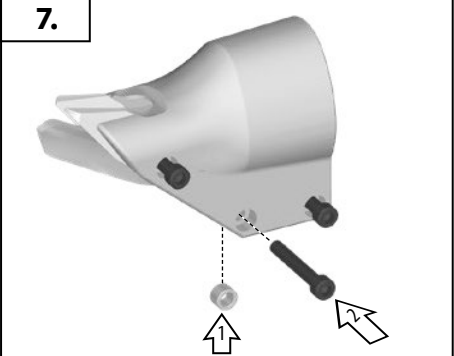
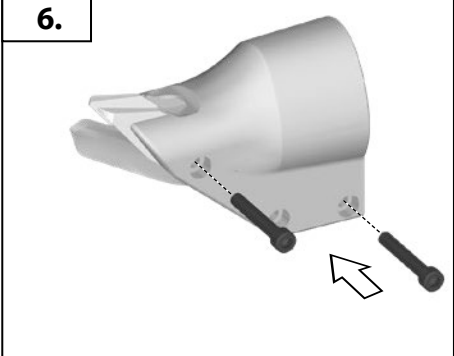
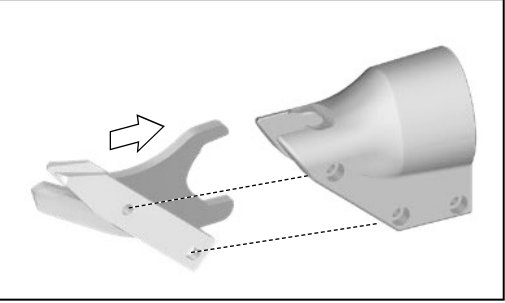
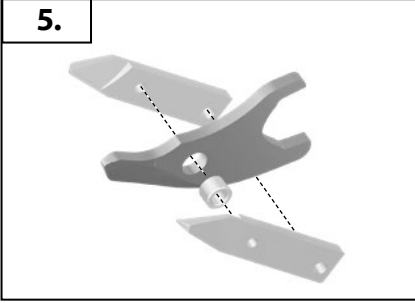
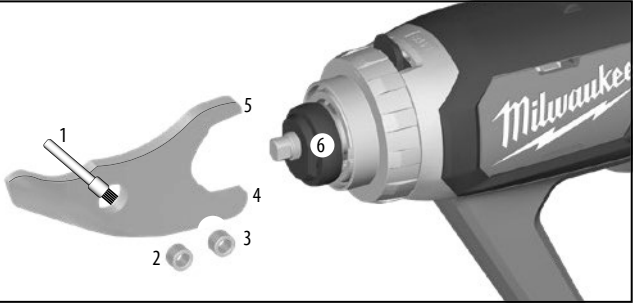
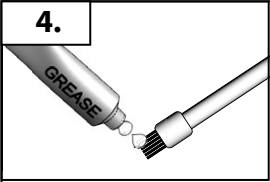
M18 BMS12
4931 4480 08

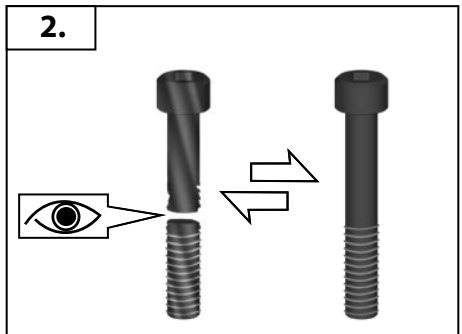
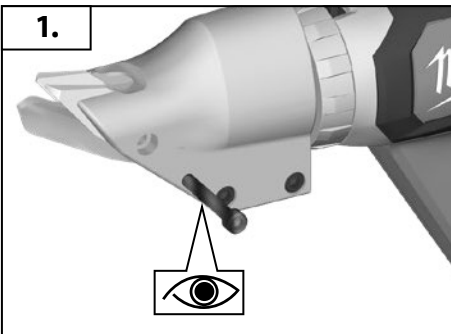
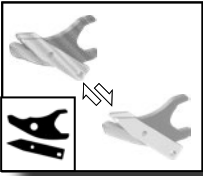
M18 BMS20
4931 4480 13





VII





TECHNICAL DATA Cordless metal shears		M18 BMS12	M18 BMS20
Production code		4776 43 02... ... 000001-999999	4776 44 02... ... 000001-999999
Battery voltage		18 V	18 V
No-load speed		0 - 2500 min ⁻¹	0 - 2500 min ⁻¹
Minimum cutting radius		180 mm	180 mm
Max. cutting capacity		5,5 m/min	5,5 m/min
Steel 400 N/mm ²		1,2 mm	2,0 mm
600 N/mm ²		0,95 mm	1,6 mm
800 N/mm ²		0,8 mm	1,2 mm
Aluminium 250 N/mm ²		2,0 mm	3,2 mm
Weight according EPTA-Procedure 01/2014 (2,0 Ah)		2,3 kg	2,34 kg
Recommended Ambient Operating Temperature		-18°C ... +50°C	-18°C ... +50°C
Recommended battery types		M18B...	M18B...
Recommended charger		M12-18...	M12-18...
Noise information			
Measured values determined according to EN 62841. Typically, the A-weighted noise levels of the tool are:			
Sound pressure level (Uncertainty K=3dB(A))		78,2 dB (A)	78,2 dB (A)
Sound power level (Uncertainty K=3dB(A))		89,2 dB (A)	89,2 dB (A)
Wear ear protectors!			
Vibration information			
Vibration total values (triaxial vector sum) determined according to EN 62841			
Vibration emission value a _h		4,75 m/s ²	7,07 m/s ²
Uncertainty K=		1,5 m/s ²	1,5 m/s ²



WARNING

The vibration and noise emission level given in this information sheet has been measured in accordance with a standardized test given in EN 62841 and may be used to compare one tool with another. It may be used for a preliminary assessment of exposure.

The declared vibration and noise emission level represents the main applications of the tool. However if the tool is used for different applications, with different accessories or poorly maintained, the vibration and noise emission may differ. This may significantly increase the exposure level over the total working period.

An estimation of the level of exposure to vibration and noise should also take into account the times when the tool is switched off or when it is running but not actually doing the job. This may significantly reduce the exposure level over the total working period.

Identify additional safety measures to protect the operator from the effects of vibration and/or noise such as: maintain the tool and the accessories, keep the hands warm, organization of work patterns.

WARNING! Read all safety warnings and all instructions.

Failure to follow all instructions listed below may result in electric shock, fire and/or serious injury.

Save all warnings and instructions for future reference.

SAFETY INSTRUCTIONS FOR METAL SHEARS

Use machinery, accessories, tools, etc. As set out in these instructions. Give due consideration to your working conditions and the type of work. Using machines for other than their intended use may result in dangerous situations.

Always wear goggles when using the machine. It is recommended to wear gloves, sturdy non slipping shoes and apron.

Clamp your workpiece with a clamping device. Unclamped workpieces can cause severe injury and damage.

When cutting, hold the tool so that the blades are in firm contact with the material for the fastest cutting. Apply even pressure. Too much pressure will tend to jam the tool or cause a rough cut.

Please note that the machine will automatically accelerate back to its original operating speed if the load is removed from it. Never lay the power tool down until the accessory has come to a complete stop. The tool may jam, leading to you losing control of the machine.

Remove the battery pack before starting any work on the appliance.

WARNING! To reduce the risk of fire, personal injury, and product damage due to a short circuit, never immerse your tool, battery pack or charger in fluid or allow a fluid to flow inside them. Corrosive or conductive fluids, such as seawater, certain industrial chemicals, and bleach or bleach containing products, etc., can cause a short circuit.

Use only System M18 chargers for charging System M18 battery packs. Do not use battery packs from other systems.

English

Never break open battery packs and chargers and store only in dry rooms. Keep dry at all times.

BATTERIES

Battery packs which have not been used for some time should be recharged before use.

Temperatures in excess of 50°C (122°F) reduce the performance of the battery pack. Avoid extended exposure to heat or sunshine (risk of overheating).

The contacts of chargers and battery packs must be kept clean.

For an optimum life-time, the battery packs have to be fully charged, after use.

To obtain the longest possible battery life remove the battery pack from the charger once it is fully charged.

For battery pack storage longer than 30 days: Store the battery pack where the temperature is below 27°C and away from moisture; Store the battery packs in a 30% - 50% charged condition; Every six months of storage, charge the pack as normal.

Do not dispose of used battery packs in the household refuse or by burning them. Milwaukee Distributors offer to retrieve old batteries to protect our environment.

Do not store the battery pack together with metal objects (short circuit risk).

Battery acid may leak from damaged batteries under extreme load or extreme temperatures. In case of contact with battery acid wash it off immediately with soap and water. In case of eye contact rinse thoroughly for at least 10 minutes and immediately seek medical attention.

No metal parts must be allowed to enter the battery section of the charger (short circuit risk).

TRANSPORTING LITHIUM BATTERIES

Lithium-ion batteries are subject to the Dangerous Goods Legislation requirements.

Transportation of those batteries has to be done in accordance with local, national and international provisions and regulations.

The user can transport the batteries by road without further requirements.

Commercial transport of Lithium-Ion batteries by third parties is subject to Dangerous Goods regulations. Transport preparation and transport are exclusively to be carried out by appropriately trained persons and the process has to be accompanied by corresponding experts.

When transporting batteries:

Ensure that battery contact terminals are protected and insulated to prevent short circuit. Ensure that battery pack is secured against movement within packaging. Do not transport batteries that are cracked or leak. Check with forwarding company for further advice.

SPECIFIED CONDITIONS OF USE

The power tool is intended for cutting sheet metals without loss due to metal chips. It is suitable for curved and straight cuts.

MAINTENANCE

Clean dust and debris from tool. Keep tool handles clean, dry and free of oil or grease. Use only mild soap and a damp cloth to clean the tool since certain cleaning agents and solvents are harmful to plastics and other insulated parts. Never use flammable or combustible solvents around tools.

The ventilation slots of the machine must be kept clear at all times.

Use only Milwaukee accessories and Milwaukee spare parts. Should components need to be replaced which have not been described, please contact one of our Milwaukee service agents (see our list of guarantee/service addresses).

If needed, an exploded view of the tool can be ordered. Please state the Article No. as well as the machine type printed on the label and order the drawing at your local service agents or directly at: Techtronic Industries GmbH, Max-Eyth-Straße 10, 71364 Winnenden, Germany.

EC-DECLARATION OF CONFORMITY

We declare under our sole responsibility that the product described under "Technical Data" fulfills all the relevant provisions of the directives

2011/65/EU (RoHS)

2006/42/EC

2014/30/EU

and the following harmonized standards have been used.

EN 62841-1:2015

EN 62841-2-8:2016

EN 55014-1:2017+A11:2020

EN 55014-2:2015

EN IEC 63000:2018



Winnenden, 2020-11-20

Alexander Krug / Managing Director
Authorized to compile the technical file

Techtronic Industries GmbH

Max-Eyth-Straße 10, 71364 Winnenden, Germany



GB-DECLARATION OF CONFORMITY

We declare as the manufacturer under our sole responsibility that the product described under „Technical Data“ fulfills all the relevant provisions of the following Regulations
S.I. 2012/3032 (as amended), S.I. 2008/1597 (as amended),
S.I. 2016/1091 (as amended) and that the following designated standards have been used:

BS EN 62841-1:2015
BS EN 62841-2-8:2016
BS EN 55014-1:2017+A11:2020
BS EN 55014-2:2015
BS EN IEC 63000:2018

Winnenden, 2020-11-20



Alexander Krug / Managing Director
Authorized to compile the technical file

Techtronic Industries GmbH
Max-Eyth-Straße 10, 71364 Winnenden, Germany

SYMBOLS



CAUTION! WARNING! DANGER!



Please read the instructions carefully before starting the machine.



Wear gloves!



Always wear goggles when using the machine.



Remove the battery pack before starting any work on the appliance.



Accessory - Not included in standard equipment, available as an accessory.



Do not dispose of electric tools together with household waste material. Electric tools and electronic equipment that have reached the end of their life must be collected separately and returned to an environmentally compatible recycling facility. Check with your local authority or retailer for recycling advice and collection point.



European Conformity Mark



British Conformity Mark



Ukraine Conformity Mark



EurAsian Conformity Mark

TECHNISCHE DATEN Akku-Bleischere		M18 BMS12	M18 BMS20
Produktionsnummer		4776 43 02... ... 000001-999999	4776 44 02... ... 000001-999999
Spannung Wechselakku		18 V	18 V
Leerlaufdrehzahl		0 - 2500 min ⁻¹	0 - 2500 min ⁻¹
Kleinster Schneideradius		180 mm	180 mm
Schnittleistung max.		5,5 m/min	5,5 m/min
Stahl 400 N/mm ²		1,2 mm	2,0 mm
600 N/mm ²		0,95 mm	1,6 mm
800 N/mm ²		0,8 mm	1,2 mm
Aluminium 250 N/mm ²		2,0 mm	3,2 mm
Gewicht nach EPTA-Prozedur 01/2014 (2,0 Ah)		2,3 kg	2,34 kg
Empfohlene Umgebungstemperatur für den Betrieb		-18°C ... +50°C	-18°C ... +50°C
Empfohlene Akku Typen		M18B...	M18B...
Empfohlene Ladegeräte		M12-18...	M12-18...
Geräuschinformation			
Messwerte ermittelt entsprechend EN 62841. Der A-bewertete Geräuschpegel des Gerätes beträgt typischerweise:			
Schalldruckpegel (Unsicherheit K=3dB(A))		78,2 dB (A)	78,2 dB (A)
Schallleistungspegel (Unsicherheit K=3dB(A))		89,2 dB (A)	89,2 dB (A)
Gehörschutz tragen!			
Vibrationsinformationen			
Schwingungsgesamtwerte (Vektorsumme dreier Richtungen) ermittelt entsprechend EN 62841.			
Schwingungsemissionswert a _w		4,75 m/s ²	7,07 m/s ²
Unsicherheit K=		1,5 m/s ²	1,5 m/s ²



WARNUNG

Die angegebenen Schwingungsgesamtwerte und Geräuschemissionswerte wurden nach einem genormten Messverfahren gemäß EN 62841 gemessen und können für den Vergleich von Elektrowerkzeugen miteinander verwendet werden. Sie können für eine vorläufige Einschätzung der Belastung verwendet werden.

Der angegebene Schwingungs- und Geräuschemissionspegel repräsentiert die hauptsächlichen Anwendungen des Elektrowerkzeugs. Wenn allerdings das Elektrowerkzeug für andere Anwendungen, mit abweichenden Einsatzwerkzeugen oder ungenügender Wartung eingesetzt wird, können sich die Schwingungs- und Geräuschemissionen unterscheiden. Dies kann deren Wirkung über den gesamten Arbeitszeitraum deutlich erhöhen.

Bei der Abschätzung der Belastung durch Schwingungen und Lärm sollten auch die Zeiten berücksichtigt werden, in denen das Elektrowerkzeug ausgeschaltet ist oder zwar läuft, aber keine tatsächliche Arbeit verrichtet wird. Dies kann deren Wirkung über den gesamten Arbeitszeitraum deutlich reduzieren.

Legen Sie zusätzliche Sicherheitsmaßnahmen zum Schutz des Bedieners vor den Auswirkungen von Schwingungen- und / oder Lärm fest, wie z. B.: Wartung des Werkzeugs und des Zubehörs, Warmhalten der Hände, Organisation der Arbeitsabläufe.

⚠️ WARNUNG! Lesen Sie alle Sicherheitshinweise und Anweisungen. Wenn Sie die folgenden Anweisungen nicht beachten, kann es zu elektrischem Schlag, Feuer und/oder schweren Verletzungen kommen.

Bewahren Sie alle Sicherheitshinweise und Anweisungen für die Zukunft auf.

⚠️ SICHERHEITSHINWEISE FÜR BLEISCHEREN

Verwenden Sie Gerät, Zubehör, Einsatzwerkzeuge usw. entsprechend diesen Anweisungen. Berücksichtigen Sie dabei die Arbeitsbedingungen und die auszuführende Tätigkeit. Der Gebrauch von Geräten für andere als die vorgesehenen Anwendungen kann zu gefährlichen Situationen führen.

Beim Arbeiten mit der Maschine stets Schutzbrille tragen. Schutzhandschuhe, festes und rutschsicheres Schuhwerk und Schürze werden empfohlen.

Sichern Sie Ihr Werkstück mit einer Spannvorrichtung. Nicht gesicherte Werkstücke können schwere Verletzungen und Beschädigungen verursachen.

Für ein schnelles Schnittergebnis halten Sie das Gerät so, dass die Messer in festem Kontakt mit dem Material stehen. Üben Siemäßigen Druck aus. Zu viel Druck kann zum Blockieren des Gerätes oder zu einem ungleichmäßigen Schnitt führen.

Bitte beachten Sie, dass die Maschine bei Wegfall der Belastung wieder selbstständig auf die ursprüngliche Arbeitsdrehzahl hochfährt.

Legen Sie das Elektrowerkzeug niemals ab, bevor das Einsatzwerkzeug völlig zum Stillstand gekommen ist. Das Einsatzwerkzeug kann sich verhaken und zum Verlust der Kontrolle über das Gerät führen.

Vor allen Arbeiten am Gerät den Wechselakku herausnehmen.

WARNUNG! Um die durch einen Kurzschluss verursachte Gefahr eines Brandes, von Verletzungen oder Produktbeschädigungen zu vermeiden, tauchen Sie das Werkzeug, den Wechselakku oder das Ladegerät nicht in Flüssigkeiten ein und sorgen Sie dafür, dass keine Flüssigkeiten in die Geräte und Akkus eindringen. Korrodierende oder leitfähige Flüssigkeiten, wie Salzwasser, bestimmte Chemikalien und Bleichmittel oder Produkte, die Bleichmittel enthalten, können einen Kurzschluss verursachen.

Wechselakkus des Systems M18 nur mit Ladegeräten des Systems M18 laden. Keine Akkus aus anderen Systemen laden.

Wechselakkus und Ladegeräte nicht öffnen und nur in trockenen Räumen lagern. Vor Nässe schützen.

AKKUS

Längere Zeit nicht benutzte Wechselakkus vor Gebrauch nachladen.

Eine Temperatur über 50°C vermindert die Leistung des Wechselakkus. Längere Erwärmung durch Sonne oder Heizung vermeiden.

Die Anschlusskontakte an Ladegerät und Wechselakku sauber halten.

Für eine optimale Lebensdauer müssen nach dem Gebrauch die Akkus voll geladen werden.

Für eine möglichst lange Lebensdauer sollten die Akkus nach dem Aufladen aus dem Ladegerät entfernt werden.

Bei Lagerung des Akkus länger als 30 Tage: Akku bei ca. 27°C und trocken lagern.; Akku bei ca. 30%-50% des Ladezustandes lagern.; Akku alle 6 Monate erneut aufladen.

Verbrauchte Wechselakkus nicht ins Feuer oder in den Hausmüll werfen. Milwaukee bietet eine umweltgerechte Alt-Wechselakku-Entsorgung an; bitte fragen Sie Ihren Fachhändler.

Wechselakkus nicht zusammen mit Metallgegenständen aufbewahren (Kurzschlussgefahr).

Unter extremer Belastung oder extremer Temperatur kann aus beschädigten Wechselakkus Batterieflüssigkeit auslaufen. Bei Berührung mit Batterieflüssigkeit sofort mit Wasser und Seife abwaschen. Bei Augenkontakt sofort mindestens 10 Minuten gründlich spülen und unverzüglich einen Arzt aufsuchen.

In den Wechselakku-Einschubschacht der Ladegeräte dürfen keine Metallteile gelangen (Kurzschlussgefahr).

TRANSPORT VON LITHIUM-IONEN-AKKUS

Lithium-Ionen-Akkus fallen unter die gesetzlichen Bestimmungen zum Gefahrguttransport.

Der Transport dieser Akkus muss unter Einhaltung der lokalen, nationalen und internationalen Vorschriften und Bestimmungen erfolgen.

Verbraucher dürfen diese Akkus ohne Weiteres auf der Straße transportieren.

Der kommerzielle Transport von Lithium-Ionen-Akkus durch Speditionsunternehmen unterliegt den Bestimmungen des Gefahrguttransports. Die Versandvorbereitungen und der Transport dürfen ausschließlich von entsprechend geschulten Personen durchgeführt werden. Der gesamte Prozess muss fachmännisch begleitet werden.

Folgende Punkte sind beim Transport von Akkus zu beachten:

Stellen Sie sicher, dass die Kontakte geschützt und isoliert sind, um Kurzschlüsse zu vermeiden. Achten Sie darauf, dass der Akkupack innerhalb der Verpackung nicht verrutschen kann. Beschädigte oder

auslaufende Akkus dürfen nicht transportiert werden. Wenden Sie sich für weitere Hinweise an Ihr Speditionsunternehmen.

BESTIMMUNGSGEMÄSSE VERWENDUNG

Das Elektrowerkzeug ist bestimmt zum Schneiden von Blechen ohne Spanverlust. Es ist geeignet für kurvige und gerade Schnitte.

WARTUNG

Staub und Schmutz vom Gerät stets entfernen. Den Handgriff sauber, trocken und frei von Öl oder Fett halten. Reinigungs- und Lösungsmittel sind schädlich für Kunststoffe und andere isolierende Teile, deshalb nur mit einer milden Seife und einem feuchten Tuch das Gerät reinigen. Verwenden Sie niemals brennbare Lösungsmittel in der Nähe des Gerätes.

Stets die Lüftungsschlitze der Maschine sauber halten.

Nur Milwaukee Zubehör und Milwaukee Ersatzteile verwenden. Bauteile, deren Austausch nicht beschrieben wurde, bei einer Milwaukee Kundendienststelle auswechseln lassen (Broschüre Garantie/Kundendienstadressen beachten).

Bei Bedarf kann eine Explosionszeichnung des Gerätes unter Angabe der Maschinen Type und der sechsstelligen Nummer auf dem Leistungsschild bei Ihrer Kundendienststelle oder direkt bei Techtronic Industries GmbH, Max-Eyth-Straße 10, 71364 Winnenden, Germany angefordert werden.

CE-KONFORMITÄTSERKLÄRUNG

Wir erklären in alleiniger Verantwortung, dass das unter „Technische Daten“ beschriebene Produkt mit allen relevanten Vorschriften der Richtlinien

2011/65/EU (RoHS)

2006/42/EG

2014/30/EU

und den folgenden harmonisierten normativen Dokumenten übereinstimmt

EN 62841-1:2015

EN 62841-2-8:2016

EN 55014-1:2017+A11:2020

EN 55014-2:2015

EN IEC 63000:2018



Winnenden, 2020-11-20

Alexander Krug / Managing Director
Bevollmächtigt die technischen Unterlagen zusammenzustellen.

Techtronic Industries GmbH
Max-Eyth-Straße 10, 71364 Winnenden, Germany

SYMBOLS



ACHTUNG! WARNUNG! GEFAHR!



Bitte lesen Sie die Gebrauchsanweisung vor Inbetriebnahme sorgfältig durch.



Schutzhandschuhe tragen!



Beim Arbeiten mit der Maschine stets Schutzbrille tragen.



Vor allen Arbeiten am Gerät den Wechselakku herausnehmen.



Zubehör - Im Lieferumfang nicht enthalten, empfohlene Ergänzung aus dem Zubehörprogramm.



Elektrogeräte dürfen nicht zusammen mit dem Hausmüll entsorgt werden. Elektrische und elektronische Geräte sind getrennt zu sammeln und zur umweltgerechten Entsorgung bei einem Verwertungsbetrieb abzugeben. Erkundigen Sie sich bei den örtlichen Behörden oder bei Ihrem Fachhändler nach Recyclinghöfen und Sammelstellen.



Europäisches Konformitätszeichen



Britisches Konformitätszeichen



Ukrainisches Konformitätszeichen



Euroasiatisches Konformitätszeichen



CARACTÉRISTIQUES TECHNIQUES Tronçatrice		M18 BMS12	M18 BMS20
Numéro de série		4776 43 02... ... 000001-999999	4776 44 02... ... 000001-999999
Tension accu interchangeable		18 V	18 V
Vitesse de rotation à vide		0 - 2500 min ⁻¹	0 - 2500 min ⁻¹
Rayon minimum de coupe		180 mm	180 mm
Capacité de coupe max.		5,5 m/min	5,5 m/min
Acier 400 N/mm ²		1,2 mm	2,0 mm
600 N/mm ²		0,95 mm	1,6 mm
800 N/mm ²		0,8 mm	1,2 mm
Aluminium 250 N/mm ²		2,0 mm	3,2 mm
Poids suivant EPTA-Procédure 01/2014 (2,0 Ah)		2,3 kg	2,34 kg
Température ambiante conseillée pour le fonctionnement		-18°C ... +50°C	-18°C ... +50°C
Batteries conseillées		M18B...	M18B...
Chargeurs conseillés		M12-18...	M12-18...
Informations sur le bruit			
Valeurs de mesure obtenues conformément à la EN 62841. Les mesures réelles (des niveaux acoustiques de l'appareil sont :			
Niveau de pression acoustique (Incertitude K=3dB(A))		78,2 dB (A)	78,2 dB (A)
Niveau d'intensité acoustique (Incertitude K=3dB(A))		89,2 dB (A)	89,2 dB (A)
Toujours porter une protection acoustique!			
Informations sur les vibrations			
Valeurs totales des vibrations (somme vectorielle de trois sens) établies conformément à EN 62841.			
Valeur d'émission vibratoire a _h		4,75 m/s ²	7,07 m/s ²
Incertitude K=		1,5 m/s ²	1,5 m/s ²



Fr

AVERTISSEMENT

Le niveau de vibration et d'émissions sonores indiqué dans cette fiche de données a été mesuré en respect d'une méthode standard de test selon la norme EN 62841 et peut être utilisé pour comparer les outils entre eux. Il peut être utilisé pour évaluation préliminaire de l'exposition.

Le niveau de vibration et d'émissions sonores déclaré correspond à l'application principale de l'outil. Cependant, si l'outil est utilisé pour des applications différentes, avec différents accessoires ou est mal entretenu, les vibrations et les émissions sonores peuvent différer. Cela peut augmenter considérablement le niveau d'exposition au cours de la période de travail totale.

Une estimation du niveau d'exposition aux vibrations et au bruit devrait également tenir compte des temps d'arrêt de l'outil ou des périodes où il est en marche mais n'effectue pas réellement le travail. Cela peut réduire considérablement le niveau d'exposition au cours de la période de travail totale.

Identifier des mesures de sécurité supplémentaires pour protéger l'opérateur des effets des vibrations et/ou du bruit tels que : l'entretien de l'outil et des accessoires, le maintien au chaud des mains, l'organisation des processus de travail.

⚠ AVERTISSEMENT! Lisez toutes les consignes de sécurité et les instructions. Le fait de ne pas suivre toutes les instructions données ci-dessous peut provoquer un choc électrique, un incendie et/ou une blessure grave.

Bien garder tous les avertissements et instructions.

⚠ CONSIGNES DE SÉCURITÉ CONCERNANT LES CISAILLES

Utiliser le dispositif, les accessoires, les outils à insertion, etc. conformément aux présentes consignes. Considérer les conditions de travail et l'activité à effectuer. L'utilisation de dispositifs en vue d'une application non conforme à celle prévue pourra causer des situations dangereuses.

Toujours porter des lunettes protectrices en travaillant avec la machine. Des gants de sécurité, des chaussures solides et à semelles antidérapantes et un tablier sont recommandés.

Fixer fermement la pièce en exécution à l'aide d'un dispositif de serrage. Des pièces en exécution non fermement fixées peuvent provoquer des dommages et des lésions graves.

Lors de la coupe, maintenez l'outil de telle sorte que les lames sont bien en contact avec le matériel pour la découpe rapide. Appliquer une pression uniforme. Trop de pression aura tendance à bloquer l'outil ou de provoquer un rough cut.

Il faut tenir compte que le dispositif, en l'absence de charge, revient au nombre de tours de travail d'origine. Ne jamais poser l'appareil électrique avant que l'outil rapporté soit entièrement à l'arrêt. L'accessoire à insertion pourrait se bloquer et causer la perte de contrôle du dispositif.

Avant tous travaux sur l'appareil retirer l'accu interchangeable.

AVERTISSEMENT! Pour réduire le risque d'incendie, de blessures corporelles et de dommages cau-sés par un court-circuit, ne jamais immerger l'outil, le bloc-piles ou le chargeur dans un liquide ou laisser couler un fluide à l'intérieur de celui-ci. Les fluides corrosifs ou conducteurs, tels que l'eau de mer, certains produits chim-iques industriels, les produits de blanchiment ou de blanchi-ment, etc., Peuvent provoquer un court-circuit.

Ne charger les accus interchangeables du système M18 qu'avec le chargeur d'accus du système M18. Ne pas charger des accus d'autres systèmes.

Ne pas ouvrir les accus interchangeables et les chargeurs et ne les stocker que dans des locaux secs. Les protéger contre l'humidité.

ACCUS

Recharger les accus avant utilisation après une longue période de non utilisation.

Une température supérieure à 50°C amoindrit la capacité des accus. Eviter les expositions prolongées au soleil ou au chauffage.

Tenir propres les contacts des accus et des chargeurs.

Pour une durée de vie optimale, les accus doivent être chargés à fond après l'utilisation.

Pour une plus longue durée de vie, enlever les batteries du chargeur de batterie quand celles-ci seront chargées.

En cas d'entreposage de la batterie pour plus de 30 jours: Entreposer la batterie à 27°C environ dans un endroit sec.; Entreposer la batterie avec une charge d'environ 30% - 50%.; Recharger la batterie tous les 6 mois.

Ne pas jeter les accus interchangeables usés au feu ou avec les déchets ménagers. Milwaukee offre un système d'évacuation écologique des accus usés.

Ne pas conserver les accus interchangeables avec des objets métal-iques (risque de court-circuit)

En cas de conditions ou températures extrêmes, du liquide caustique peut s'échapper d'un accu interchangeable endommagé. En cas de contact avec le liquide caustique de la batterie, laver immédiatement avec de l'eau et du savon. En cas de contact avec les yeux, rincer soig-neusement avec de l'eau et consulter immédiatement un médecin.

Aucune pièce métallique ne doit pénétrer dans le logement d'accu du chargeur (risque de court-circuit)

TRANSPORT DE BATTERIES LITHIUM-ION

Les batteries lithium-ion sont soumises aux dispositions législatives concernant le transport de produits dangereux.

Le transport de ces batteries devra s'effectuer dans le respect des dispositions et des normes locales, nationales et internationales.

Les utilisateurs peuvent transporter ces batteries sans restrictions.

Le transport commercial de batteries lithium-ion est réglé par les dispositions concernant le transport de produits dangereux. La prépa-ration au transport et le transport devront être effectués uniquement par du personnel formé de façon adéquate. Tout le procédé devra être géré d'une manière professionnelle.

Durant le transport de batteries il faut respecter les consignes suivantes :

S'assurer que les contacts soient protégés et isolés en vue d'éviter des courts-circuits. S'assurer que le groupe de batteries ne puisse pas se déplacer à l'intérieur de son emballage. Des batteries endommagées ou des batteries perdant du liquide ne devront pas être transportées. Pour tout renseignement complémentaire veuillez vous adresser à votre transporteur professionnel.

UTILISATION CONFORME AUX PRESCRIPTIONS

L'outil électroportatif est conçu pour le découpage de tôles sans copeaux. Il est approprié à effectuer des coupes droites et curvilignes.

ENTRETIEN

Toujours supprimer la poussière et les saletés de l'appareil. Veiller à ce que la poignée reste propre, sèche ainsi qu'exempte d'huile ou de graisse. Les produits de nettoyage et les solvants sont nocifs pour les matières plastiques et d'autres composants isolants et c'est pourquoi il convient de nettoyer l'appareil seulement avec un savon doux et un chiffon humide. Ne jamais utiliser de solvants combustibles à proximité de l'appareil.

Tenir toujours propres les orifices de ventilation de la machine.

Utiliser uniquement les accessoires Milwaukee et les pièces détachées Milwaukee. Faire remplacer les composants dont le remplacement n'a pas été décrit, par un des centres de service après-vente Milwaukee (observer la brochure avec les adresses de garantie et de service après-vente).

Si besoin est, une vue éclatée de l'appareil peut être fournie. S'adresser, en indiquant bien le numéro porté sur la plaque signalétique, à votre station de service après-vente (voir liste jointe) ou directement à Techtronic Industries GmbH, Max-Eyth-Straße 10, 71364 Winnenden, Germany.

DÉCLARATION CE DE CONFORMITÉ

Nous déclarons, sous notre responsabilité exclusive, que le produit décrit ici dans les « Caractéristiques techniques » satisfait à toutes les dispositions pertinentes des directives

2011/65/UE (RoHS)

2006/42/CE

2014/30/UE

et que les normes harmonisées suivantes ont été appliquées.

EN 62841-1:2015

EN 62841-2-8:2016

EN 55014-1:2017+A11:2020

EN 55014-2:2015

EN IEC 63000:2018



Winnenden, 2020-11-20

Alexander Krug / Managing Director

Autorisé à compiler la documentation technique.

Techtronic Industries GmbH

Max-Eyth-Straße 10, 71364 Winnenden, Germany



Fr

SYMBOLES



ATTENTION! AVERTISSEMENT! DANGER!



Veillez lire avec soin le mode d'emploi avant la mise en service



Porter des gants de protection!



Toujours porter des lunettes protectrices en travaillant avec la machine.



Avant tous travaux sur l'appareil retirer l'accu interchangeable.



Accessoires - Ces pièces ne font pas partie de la livraison. Il s'agit là de compléments recommandés pour votre machine et énumérés dans le catalogue des accessoires.



Les dispositifs électriques ne sont pas à éliminer dans les déchets ménagers. Les dispositifs électriques et électroniques sont à collecter séparément et à remettre à un centre de recyclage en vue de leur élimination dans le respect de l'environnement. S'adresser aux autorités locales ou au détaillant spécialisé en vue de connaître l'emplacement des centres de recyclage et des points de collecte.



Marque de conformité européenne



Marque de conformité britannique



Marque de conformité ukrainienne



Marque de conformité d'Eurasie



DATI TECNICI Cesoia a batteria		M18 BMS12	M18 BMS20
Numero di serie		4776 43 02... ... 000001-999999	4776 44 02... ... 000001-999999
Tensione batteria		18 V	18 V
Numero di giri a vuoto		0 - 2500 min ⁻¹	0 - 2500 min ⁻¹
Minimo raggio curvatura		180 mm	180 mm
Potenza di taglio max.		5,5 m/min	5,5 m/min
Acciaio 400 N/mm ²		1,2 mm	2,0 mm
600 N/mm ²		0,95 mm	1,6 mm
800 N/mm ²		0,8 mm	1,2 mm
Alluminio 250 N/mm ²		2,0 mm	3,2 mm
Peso secondo la procedura EPTA 01/2014 (2,0 Ah)		2,3 kg	2,34 kg
Temperatura ambiente consigliata per il funzionamento		-18°C ... +50°C	-18°C ... +50°C
Batterie consigliate		M18B...	M18B...
Caricatori consigliati		M12-18...	M12-18...
Informazioni sulla rumorosità			
Valori misurati conformemente alla norma EN 62841. La misurazione A del livello di pressione acustica dell'utensile è di solito di:			
Livello di rumorosità (Incertezza della misura K=3dB(A))		78,2 dB (A)	78,2 dB (A)
Potenza della rumorosità (Incertezza della misura K=3dB(A))		89,2 dB (A)	89,2 dB (A)
Utilizzare le protezioni per l'udito!			
Informazioni sulle vibrazioni			
Valori totali delle oscillazioni (somma di vettori in tre direzionmisurati conformemente alla norma EN 62841			
Valore di emissione dell'oscillazione a _h		4,75 m/s ²	7,07 m/s ²
Incertezza della misura K=		1,5 m/s ²	1,5 m/s ²



AVVERTENZA

Il/i valore/i di emissione acustica riportato/i in questa scheda informativa sono stati misurati conformemente a un metodo di prova standard sulla base della norma EN 62841 e possono essere utilizzati per confrontare gli utensili tra loro. Può/possono essere utilizzato/i anche per una valutazione preliminare dell'esposizione.

Il livello di vibrazione ed emissione acustica dichiarato rappresenta le applicazioni principali dell'utensile. Tuttavia, se l'utensile è utilizzato per applicazioni diverse, con accessori differenti o una manutenzione non adeguata, la vibrazione e l'emissione acustica potrebbero variare. Ciò può aumentare significativamente il livello di esposizione durante l'intera durata del lavoro.

Una stima del livello di esposizione alle vibrazioni e al rumore dovrebbe tenere conto anche dei periodi in cui l'utensile è spento o è in funzione ma non sta lavorando. Ciò può ridurre significativamente il livello di esposizione durante l'intera durata del lavoro.

Identificare le misure di sicurezza supplementari per proteggere l'operatore dagli effetti delle vibrazioni e/o del rumore, ad esempio eseguendo la manutenzione dell'utensile e degli accessori, mantenendo le mani calde e organizzando gli schemi di lavoro.

⚠ AVVERTENZA! E' necessario leggere tutte le indicazioni di sicurezza e le istruzioni. In caso di mancata osservanza delle seguenti istruzioni vi è il pericolo di provocare una scossa elettrica, di sviluppare incendi e/o di provocare seri incidenti.

Conservare tutte le avvertenze di pericolo e le istruzioni operative per ogni esigenza futura.

⚠ INDICAZIONI DI SICUREZZA PER CESCOIE

Usare il dispositivo, gli accessori, gli utensili ad inserto, ecc. conformemente alle presenti istruzioni. Tenere conto delle condizioni di lavoro e dell'attività da eseguire. L'uso di dispositivi per applicazioni diverse da quelle previste può causare situazioni di pericolo.

Durante l'uso dell'apparecchio utilizzare sempre gli occhiali di protezione. Inoltre si consiglia di usare sistemi di protezione per la respirazione e per l'udito, oltre ai guanti di protezione.

Fissare in sicurezza il pezzo in lavorazione con un dispositivo di serraggio. Pezzi in lavorazione che non siano fissati in sicurezza possono causare gravi lesioni e danni.

Durante il taglio, tenere l'attrezzo in modo che le lame siano saldamente a contatto con il materiale per il taglio veloce. Applicare una pressione uniforme. Troppa pressione tenderà a bloccarsi lo strumento o causare un taglio grezzo.

Tenere presente che il dispositivo, in assenza del carico, ritorna all'originale numero di giri di lavoro. Non depositare mai l'utensile elettrico, prima che questo non si sia fermato completamente. L'utensile ad inserto si potrebbe inceppare e causare la perdita di controllo sul dispositivo.

Prima di iniziare togliere la batteria dalla apparecchiatura.

AVVERTENZA! Per ridurre il rischio d'incendio, di lesioni o di danni al prodotto causati da corto circuito, non immergere mai l'utensile, la batteria ricaricabile o il carica batterie in un liquido e non lasciare mai penetrare alcun liquido all'interno dei dispositivi e delle batterie. I fluidi corrosivi o conduttori come acqua salata, alcuni agenti chimici, agenti candeggianti o prodotti contenenti agenti candeggianti potrebbero provocare un corto circuito.

Le batterie del System M18 sono ricaricabili esclusivamente con i caricatori del System M18. Le batterie di altri sistemi non possono essere ricaricate.

Non aprire né la batteria né il caricatore e conservarli solo in luogo asciutto. Proteggerli dalla umidità.

BATTERIE

Batterie non utilizzate per molto tempo devono essere ricaricate prima dell'uso.

A temperature superiori ai 50°C, la potenza della batteria si riduce.

Evitare di esporre l'accumulatore a surriscaldamento prolungato, dovuto ad esempio ai raggi del sole o ad un impianto di riscaldamento.

Per una ottimale vita utile è necessario ricaricare completamente le batterie dopo l'uso.

Per una più lunga durata, rimuovere le batterie dal caricabatterie quando saranno cariche.

In caso di immagazzinaggio della batteria per più di 30 giorni:

Immagazzinare la batteria a circa 27°C in ambiente asciutto.;
Immagazzinare la batteria con carica di circa il 30% - 50%;
Ricaricare la batteria ogni 6 mesi.

Non gettare le batterie esaurite sul fuoco o nella spazzatura di casa. La Milwaukee offre infatti un servizio di recupero batterie usate.

Nel vano d'innesto per la batteria del caricatore non devono entrare parti metalliche.(pericolo di cortocircuito).

Nel caso di batterie danneggiate da un carico eccessivo o da temperature alte, l'acido di queste potrebbe fuoriuscire. In caso di contatto con l'acido delle batterie lavarsi immediatamente con acqua e sapone. In caso di contatto con gli occhi risciacquare immediatamente con acqua per almeno 10 minuti e contattare subito un medico.

Non conservare le batterie con oggetti metallici (pericolo di cortocircuito).

TRASPORTO DI BATTERIE AGLI IONI DI LITIO

Le batterie agli ioni di litio sono soggette alle disposizioni di legge sul trasporto di merce pericolosa.

Il trasporto di queste batterie deve avvenire rispettando le disposizioni e norme locali, nazionali ed internazionali.

Gli utilizzatori possono trasportare queste batterie su strada senza alcuna restrizione.

Il trasporto commerciale di batterie agli ioni di litio è regolato dalle disposizioni sul trasporto di merce pericolosa. Le preparazioni al trasporto ed il trasporto stesso devono essere svolti esclusivamente da persone idoneamente istruite. Tutto il processo deve essere gestito in maniera professionale.

Durante il trasporto di batterie occorre tenere conto di quanto segue:

Assicurarsi che i contatti siano protetti ed isolati per evitare corto circuiti. Accertarsi che il gruppo di batterie non possa spostarsi all'interno dell'imballaggio. Batterie danneggiate o batterie che perdono liquido non devono essere trasportate. Per ulteriori informazioni si prega di contattare il proprio trasportatore.

UTILIZZO CONFORME

L'elettrotensile è ideale per tagliare lamiere evitando la formazione di trucioli. È adatto per eseguire tagli curvi e tagli dritti.

MANUTENZIONE

Polvere e sporcizia devono essere sempre tenute lontane dall'apparecchio. Tenere l'impugnatura pulita, asciutta e libera da oli o grassi. Detergenti e solventi sono dannosi alla plastica e ad altre parti isolanti, pertanto pulire l'apparecchio soltanto con sapone neutro ed un panno umido. Non usare mai solventi infiammabili nelle vicinanze dell'apparecchio.

Tener sempre ben pulite le fessure di ventilazione dell'apparecchio.

Usare solo accessori Milwaukee e pezzi di ricambio Milwaukee. Gruppi costruttivi la cui sostituzione non è stata descritta, devono essere fatti cambiare da un punto di servizio di assistenza tecnica al cliente Milwaukee (vedi depliant garanzia/indirizzi assistenza tecnica ai clienti).

In caso di mancanza del disegno esploso, può essere richiesto al seguente indirizzo: Techtronic Industries GmbH, Max-Eyth-Straße 10, 71364 Winnenden, Germany.

DICHIARAZIONE DI CONFORMITÀ CE

Assumendone la piena responsabilità, dichiariamo che il prodotto descritto nei "Dati tecnici" è conforme alle pertinenti disposizioni delle direttive

2011/65/UE (RoHS)

2006/42/CE

2014/30/UE

e che sono state applicate le seguenti norme armonizzate 0

EN 62841-1:2015

EN 62841-2-8:2016

EN 55014-1:2017+A11:2020

EN 55014-2:2015

EN IEC 63000:2018



Winnenden, 2020-11-20

Alexander Krug / Managing Director

Autorizzato alla preparazione della documentazione tecnica

Techtronic Industries GmbH

Max-Eyth-Straße 10, 71364 Winnenden, Germany

SIMBOLI



ATTENZIONE! AVVERTENZA! PERICOLO!



Leggere attentamente le istruzioni per l'uso prima di mettere in funzione l'elettrotensile.



Indossare guanti protettivi!



Durante l'uso dell'apparecchio utilizzare sempre gli occhiali di protezione.



Prima di iniziare togliere la batteria dall'apparecchio.



Accessorio - Non incluso nella dotazione standard, disponibile a parte come accessorio.



I dispositivi elettrici non devono essere smaltiti con i rifiuti domestici. I dispositivi elettrici ed elettronici devono essere raccolti separatamente e devono essere conferiti ad un centro di riciclaggio per lo smaltimento rispettoso dell'ambiente. Chiedere alle autorità locali o al rivenditore specializzato dove si trovano i centri di riciclaggio e i punti di raccolta.



Marchio di conformità europeo



Marchio di conformità britannico



Marchio di conformità ucraino



Marchio di conformità euroasiatico



DATOS TÉCNICOS Cizalla para chapa a batería		M18 BMS12	M18 BMS20
Número de producción		4776 43 02... ... 000001-999999	4776 44 02... ... 000001-999999
Voltaje de batería		18 V	18 V
Velocidad en vacío		0 - 2500 min ⁻¹	0 - 2500 min ⁻¹
Radio mínimo de corte curvilíneo		180 mm	180 mm
Potencia máxima de corte		5,5 m/min	5,5 m/min
Acero 400 N/mm ²		1,2 mm	2,0 mm
600 N/mm ²		0,95 mm	1,6 mm
800 N/mm ²		0,8 mm	1,2 mm
Aluminio 250 N/mm ²		2,0 mm	3,2 mm
Peso de acuerdo con el procedimiento EPTA 01/2014 (2,0 Ah)		2,3 kg	2,34 kg
Temperatura ambiente recomendada para la operación		-18°C ... +50°C	-18°C ... +50°C
Juegos de baterías recomendados		M18B...	M18B...
Cargadores recomendados		M12-18...	M12-18...
Información sobre ruidos			
Determinación de los valores de medición según norma EN 62841. El nivel de ruido típico del aparato determinado con un filtro A corresponde a:			
Presión acústica (Tolerancia K=3dB(A))		78,2 dB (A)	78,2 dB (A)
Resonancia acústica (Tolerancia K=3dB(A))		89,2 dB (A)	89,2 dB (A)
Usar protectores auditivos!			
Informaciones sobre vibraciones			
Nivel total de vibraciones (suma vectorial de tres direcciones) determinado según EN 62841.			
Valor de vibraciones generadas a _h		4,75 m/s ²	7,07 m/s ²
Tolerancia K=		1,5 m/s ²	1,5 m/s ²



ADVERTENCIA

El nivel de emisión de ruido y vibración indicado en esta hoja informativa se ha medido de acuerdo con una prueba estandarizada que figura en EN 62841 y se puede usar para comparar una herramienta con otra. Puede ser empleado para una evaluación preliminar de la exposición.

El nivel declarado emisión de vibración y ruido representa las principales aplicaciones de la herramienta. Sin embargo, si la herramienta se utiliza para diferentes aplicaciones, con diferentes accesorios o con un mantenimiento deficiente, la emisión de ruido y vibración puede diferir. Esto puede aumentar significativamente el nivel de exposición durante el periodo total de trabajo.

También se debe tener en cuenta una estimación del nivel de exposición a la vibración y el ruido cuando la herramienta está apagada o cuando está funcionando, pero no está haciendo su trabajo. Esto puede reducir significativamente el nivel de exposición durante el periodo total de trabajo.

Identifique medidas de seguridad adicionales para proteger al operador de los efectos de la vibración o el ruido, como realizar mantenimiento de la herramienta y los accesorios, mantener las manos calientes y organizar las pautas de trabajo.

⚠ ADVERTENCIA! Rogamos leer las indicaciones de seguridad y las instrucciones. En caso de no atenerse a las instrucciones siguientes, ello puede provocar una electrocución, incendio y/o lesiones serias.

Guardar todas las advertencias de peligro e instrucciones para futuras consultas.

⚠ INSTRUCCIONES DE SEGURIDAD PARA CIZALLAS PARA CHAPA

Utilice el aparato, accesorios, útiles, etc. de acuerdo con estas instrucciones, teniendo en cuenta las condiciones de trabajo y la tarea a realizar. El uso de los aparatos para otra finalidad que la prevista puede provocar situaciones peligrosas.

Para trabajar con la máquina, utilizar siempre gafas de protección, guantes, calzado de seguridad antideslizante, así como es recomendable usar protectores auditivos.

Fije la pieza de trabajo con un dispositivo de fijación. Las piezas de trabajo no fijadas pueden causar lesiones graves y deterioros.

Al cortar, mantenga la herramienta para que las cuchillas estén en firme contacto con el material para el corte más rápido. Aplique una presión uniforme. Demasiada presión tenderá a atascar la herramienta o a causar un primer corte.

Rogamos observar que la máquina vuelve a aumentar de forma automática la potencia a la velocidad de trabajo originaria en el momento de suprimirse la carga. No deposite jamás la herramienta eléctrica antes de que la herramienta intercambiable haya dejado

de girar por completo. El útil puede engancharse y hacerle perder el control sobre el aparato.

Retire la batería antes de comenzar cualquier trabajo el aparato.

ADVERTENCIA! Para reducir el riesgo de incendio, lesiones personales y daños al producto debido a un cortocircuito, no sumerja nunca la herramienta, el paquete de baterías o el cargador en líquido ni permita que fluya un fluido dentro de ellos. Los fluidos corrosivos o conductivos, como el agua de mar, ciertos productos químicos industriales y blanqueadores o lejías que contienen, etc., Pueden causar un cortocircuito.

Recargar solamente los acumuladores del Sistema M18 en cargadores M18. No intentar recargar acumuladores de otros sistemas.

No abra nunca las baterías ni los cargadores y guárdelos sólo en lugares secos. Protéjalos de la humedad en todo momento.

BATERIA

Las baterías no utilizadas durante cierto tiempo deben ser recargadas antes de usar.

Las temperaturas superiores a 50°C reducen el rendimiento de la batería. Evite una exposición excesiva a fuentes de calor o al sol (riesgo de sobrecalentamiento).

Los puntos de contacto de los cargadores y las baterías se deben mantener limpios.

Para un tiempo óptimo de vida, deberán cargarse las baterías completamente después de su uso.

Para garantizar la máxima capacidad y vida útil, las baterías recargables se deberían retirar del cargador una vez finalizada la carga.

En caso de almacenar la batería recargable más de 30 días: Almacenar la batería recargable en un lugar seco a una temperatura de aproximadamente 27°C.; Almacenar la batería recargable con un estado de carga del 30% y 50% aproximadamente.; Recargar la batería cada 6 meses.

No tire las baterías usadas a la basura ni al fuego. Los Distribuidores Milwaukee ofrecen un servicio de recogida de baterías antiguas para proteger el medio ambiente.

No almacene la batería con objetos metálicos (riesgo de cortocircuito).

En caso de sobrecarga o alta temperatura, pueden llegar a producirse escapes de ácido provenientes de la batería. En caso de contacto con éste, limpie inmediatamente la zona con agua y jabón. Si el contacto es en los ojos, límpiense concienzudamente con agua durante 10 minutos y acuda inmediatamente a un médico

No introduzca en la cavidad del cargador objetos metálicos (riesgo de cortocircuito).

TRANSPORTE DE BATERÍAS DE IONES DE LITIO

Las baterías de iones de litio caen bajo las disposiciones legales relativas al transporte de mercancías peligrosas.

El transporte de estas baterías recargables debe llevarse a cabo, observando las normas y disposiciones locales, nacionales e internacionales.

Los consumidores pueden transportar estas baterías recargables sin el menor reparo en la calle.

El transporte comercial de baterías recargables de iones de litio por empresas de transportes está sometido a las disposiciones del transporte de mercancías peligrosas. Las preparaciones para el envío y el transporte deben ser llevados a cabo exclusivamente por personas instruidas adecuadamente. El proceso completo debe ser supervisado por personal competente.

Los siguientes puntos se deben observar para el transporte de las baterías recargables:

Se debe asegurar que los contactos estén protegidos y aislados para evitar que se produzcan cortocircuitos. Preste atención a que el conjunto de baterías recargables no se pueda desplazar dentro del envase. Las baterías recargables deterioradas o derramadas no se deben transportar. Rogamos que para cualquier información adicional se dirija a su empresa de transportes.

APLICACIÓN DE ACUERDO A LA FINALIDAD

La herramienta eléctrica ha sido diseñada para cortar chapa sin producir viruta. Es adecuada para efectuar cortes en curva y rectos.

MANTENIMIENTO

Quite siempre el polvo y la suciedad de la herramienta. Observe que la manija se encuentre en todo momento limpia, seca y libre de aceite o grasa. Detergentes y disolventes son nocivos para materiales plásticos y demás partes aislantes. Emplee por ello para su limpieza únicamente jabón suave y un paño húmedo. No utilice jamás solventes inflamables cerca de la herramienta.

Las ranuras de ventilación de la máquina deben estar despejadas en todo momento.

Utilice solamente accesorios y repuestos Milwaukee. En caso de necesitar reemplazar componentes no descritos, contacte con cualquiera de nuestras estaciones de servicio Milwaukee (consultar lista de servicio técnicos)

En caso necesario, puede solicitar un despiece de la herramienta. Por favor indique el número de impreso que hay en la etiqueta y pida el despiece a la siguiente dirección: Techtronic Industries GmbH, Max-Eyth-Straße 10, 71364 Winnenden, Germany.

DECLARACIÓN DE CONFORMIDAD CE

Declaramos bajo nuestra única responsabilidad que el producto descrito bajo „Datos técnicos“ cumple todas las disposiciones pertinentes de las directivas

2011/65/UE (RoHS)

2006/42/CE

2014/30/UE

y que se han implementado y estándares

EN 62841-1:2015

EN 62841-2-8:2016

EN 55014-1:2017+A11:2020

EN 55014-2:2015

EN IEC 63000:2018



Winnenden, 2020-11-20

Alexander Krug / Managing Director
Autorizado para la redacción de los documentos técnicos.

Techtronic Industries GmbH

Max-Eyth-Straße 10, 71364 Winnenden, Germany



SÍMBOLOS



¡ATENCIÓN! ¡ADVERTENCIA! ¡PELIGRO!



Lea las instrucciones detenidamente antes de conectar la herramienta



Usar guantes protectores



Para trabajar con la máquina, utilizar siempre gafas de protección.



Retire la batería antes de comenzar cualquier trabajo el aparato.



Accesorio - No incluido en el equipo estándar, disponible en la gama de accesorios.



Los aparatos eléctricos no se deben eliminar junto con la basura doméstica. Los aparatos eléctricos y electrónicos se deben recoger por separado y se deben entregar a una empresa de reciclaje para una eliminación respetuosa con el medio ambiente. Infórmese en las autoridades locales o en su tienda especializada sobre los centros de reciclaje y puntos de recogida.



Marcado de conformidad europeo



Marcado de conformidad británico



Marcado de conformidad ucraniano



Marcado de conformidad euroasiático



CARACTERÍSTICAS TÉCNICAS		M18 BMS12	M18 BMS20
Tesoura para cortar chapa com bateria			
Número de produção		4776 43 02... ... 000001-999999	4776 44 02... ... 000001-999999
Tensão do acumulador		18 V	18 V
Velocidade em vazio		0 - 2500 min ⁻¹	0 - 2500 min ⁻¹
Raio min. de corte		180 mm	180 mm
Potência de corte máx.		5,5 m/min	5,5 m/min
Aço 400 N/mm ²		1,2 mm	2,0 mm
600 N/mm ²		0,95 mm	1,6 mm
800 N/mm ²		0,8 mm	1,2 mm
alumínio 250 N/mm ²		2,0 mm	3,2 mm
Peso nos termos do procedimento-EPTA 01/2014 (2,0 Ah)		2,3 kg	2,34 kg
Temperatura ambiente recomendada para a operação		-18°C ... +50°C	-18°C ... +50°C
Conjuntos de baterias recomendados		M18B...	M18B...
Carregadores recomendados		M12-18...	M12-18...
Informações sobre ruído			
Valores de medida de acordo com EN 62841. O nível de ruído avaliado A do aparelho é tipicamente:			
Nível da pressão de ruído (Incertez K=3dB(A))		78,2 dB (A)	78,2 dB (A)
Nível da potência de ruído (Incertez K=3dB(A))		89,2 dB (A)	89,2 dB (A)
Use protectores auriculares!			
Informações sobre vibração			
Valores totais de vibração (soma dos vectores das três direcções) determinadas conforme EN 62841.			
Valor de emissão de vibração a _h		4,75 m/s ²	7,07 m/s ²
Incerteza K=		1,5 m/s ²	1,5 m/s ²



Por

ATENÇÃO

O nível de emissão de ruído e vibração fornecido nesta ficha de informações foi medido de acordo com um teste padronizado que se encontra na norma EN 62841, podendo ser utilizado para fazer comparações entre ferramentas. Pode ser utilizado para fazer uma avaliação preliminar da exposição.

O nível de emissão de ruído e vibração declarado representa as principais aplicações da ferramenta. No entanto, se a ferramenta for utilizada para aplicações diferentes ou com acessórios distintos, ou se a sua manutenção for deficiente, a emissão de ruídos e vibrações poderá diferir. Isso poderá aumentar significativamente o nível de exposição ao longo do período de trabalho total.

A estimativa do nível de exposição à vibração e ruído também deve ter em conta os tempos em que a ferramenta, quer desligada quer em funcionamento, não está realmente a trabalhar. Isso poderá reduzir significativamente o nível de exposição ao longo do período de trabalho total.

Identifique medidas de segurança adicionais para proteger o operador contra os efeitos da vibração e/ou ruído, tais como: fazer a manutenção da ferramenta e dos acessórios, manter as mãos quentes, organizar padrões de trabalho.

⚠ ATENÇÃO! Leia todas as instruções de segurança e todas as instruções. O desrespeito das seguintes instruções pode levar a um choque eléctrico, incêndio e/ou graves lesões.

Guarde bem todas as advertências e instruções para futura referência.

⚠ INSTRUÇÕES DE SEGURANÇA PARA TESOURAS PARA CORTAR CHAPA

Use o aparelho, os acessórios, as ferramentas, etc. de acordo com estas instruções. Nisso, considere as condições de trabalho e a atividade a executar. A utilização dos aparelhos para fins contrários ao previsto pode causar situações perigosas.

Usar sempre óculos de protecção ao trabalhar com a máquina. Recomenda-se a utilização de luvas de protecção, protectores para os ouvidos e máscara anti-poeiras.

Fixe a peça a trabalhar com um dispositivo de fixação. Peças a trabalhar não fixadas podem levar a feridas graves e danos sérios.

Ao cortar, segurar a ferramenta para que as lâminas são em firme contato com o material para o corte mais rápido. Aplicar uma pressão uniforme. Demasiada pressão tende a encravar a ferramenta ou causar um corte brusco.

É favor observar que o aparelho acelerará novamente ao n° de rotações de trabalho original, quando a carga for eliminada. Nunca pouse a ferramenta eléctrica antes de a ferramenta de trabalho para completamente. A ferramenta pode ficar emperrada e levar à perda do controlo sobre o aparelho.

Antes de efectuar qualquer intervenção o aparelho retirar o bloco acumulador.

ATENÇÃO! Para evitar o risco de incêndio, de feridas ou de danificação do produto causado por um curto-circuito, não imerja a bateria intercambiável ou o carregador em líquidos e assegure-se de que líquidos não penetrem nos aparelhos ou nas baterias. Líquidos corrosivos ou condutivos como água salgada, determinadas substâncias químicas ou produtos que contenham branqueadores podem causar um curto-circuito.

Use apenas carregadores do Sistema M18 para recarregar os acumuladores do Sistema M18. Não utilize acumuladores de outros sistemas.

Carregadores só devem ser utilizados em recintos secos.

ACUMULADOR

Acumuladores não utilizados durante algum tempo devem ser recarregados antes da sua utilização.

Temperaturas acima de 50°C reduzem a capacidade do bloco acumulador. Evitar exposição prolongada ao sol ou a caloríferos.

Manter limpos os contactos eléctricos no carregador e no bloco acumulador.

Para uma vida útil óptima das baterias, terá que carregá-las plenamente após a sua utilização.

Para assegurar uma vida útil longa, o pacote de bateria deve ser removido da carregadora depois do carregamento.

Se o pacote de bateria for armazenado por mais de 30 dias: Armazene o pacote de bateria com aprox. 27°C em um lugar seco.; Armazene o pacote de bateria com aprox. 30%-50% da carga completa.; Carregue o pacote de bateria novamente de 6 em 6 meses.

Não queimar acumuladores gastos nem deitá-los no lixo doméstico. A Milwaukee possui uma eliminação de acumuladores gastos que respeita o meio ambiente.

Não guardar acumuladores junto com objectos metálicos (perigo de curto-circuito).

Em caso de cargas ou temperaturas extremas, um acumulador de substituição danificado poderá verter líquido de bateria. Se entrar em contacto com este líquido, deverá lavar-se imediatamente com água e sabão. Em caso de contacto com os olhos, enxagúe-os bem e de imediato durante pelo menos 10 minutos e consulte um médico o mais depressa possível.

Não abrir acumuladores e carregadores. Armazená-los em recintos secos. Protegê-los contra humidade.

TRANSPORTE DE BATERIAS DE IÃO-LÍLIO

Baterias de ião-lítio estão sujeitas às disposições da legislação relativa às substâncias perigosas.

O transporte destas baterias deve ser efectuado de acordo com as disposições e os regulamentos locais, nacionais e internacionais.

O utilizador pode efectuar o transporte rodoviário destas baterias sem restrições.

O transporte comercial de baterias de ião-lítio por terceiros está sujeito aos regulamentos relativos às substâncias perigosas. A preparação do transporte e o transporte devem ser executados exclusivamente por pessoas instruídas e o processo deve ser acompanhado pelos especialistas correspondentes.

Observe o seguinte no transporte de baterias:

Assegure-se de que os contactos terminais estejam protegidos e isolados para evitar um curto-circuito. Assegure-se de que o bloco da bateria esteja protegido contra movimentos na embalagem. Não transporte baterias danificadas ou que tenham fuga. Para instruções mais detalhadas consulte a companhia de transportes

UTILIZAÇÃO AUTORIZADA

A ferramenta eléctrica é destinada para cortar chapas metálicas sem formação de aparas. Ele é apropriado para cortes rectos e curvos.

MANUTENÇÃO

Limpe o aparelho sempre que este esteja sujo ou coberto em pó. Mantenha o cabo suporte sempre limpo, seco e livre de óleo e gordura. Produtos de limpeza e solventes afectam plásticos e outros materiais de isolamento. Por isso use apenas um pano com um sabão pouco agressivo para limpar o aparelho. Nunca utilize solventes inflamáveis perto do aparelho.

Manter desobstruídos os rasgos de ventilação na carcaça da máquina.

Utilizar apenas acessórios Milwaukee e peças sobresselentes Milwaukee. Os componentes cuja substituição não esteja descrita devem ser substituídos num serviço de assistência técnica Milwaukee (consultar a brochura relativa à garantia/moradas dos serviços de assistência técnica).

A pedido e mediante indicação da referência que consta da chapa de características da máquina, pode requerer-se um desenho explosivo da ferramenta eléctrica a: Techtronic Industries GmbH, Max-Eyth-Straße 10, 71364 Winnenden, Germany.

DECLARAÇÃO DE CONFORMIDADE CE

Declaramos, sob a nossa inteira responsabilidade, que o produto descrito em «Dados Técnicos» cumpre todas as disposições relevantes das diretivas

2011/65/UE (RoHS)

2006/42/CE

2014/30/UE

tendo sido seguidas as seguintes normas harmonizadas 0

EN 62841-1:2015

EN 62841-2-8:2016

EN 55014-1:2017+A11:2020

EN 55014-2:2015

EN IEC 63000:2018



Winnenden, 2020-11-20

Alexander Krug / Managing Director

Autorizado a reunir a documentação técnica.

Techtronic Industries GmbH

Max-Eyth-Straße 10, 71364 Winnenden, Germany

SYMBOLS



ATENÇÃO! PERIGO!



Leia atentamente o manual de instruções antes de colocar a máquina em funcionamento.



Use luvas de protecção!



Usar sempre óculos de protecção ao trabalhar com a máquina.



Antes de efectuar qualquer intervenção o aparelho retirar o bloco acumulador.



Accessório - Não incluído no equipamento normal, disponível como acessório.



Aparelhos eléctricos não devem ser jogados no lixo doméstico. Aparelhos eléctricos e electrónicos devem ser colectados separadamente e entregues a uma empresa de reciclagem para a eliminação correcta. Solicite informações sobre empresas de reciclagem e postos de colecta de lixo das autoridades locais ou do seu vendedor autorizado.



Marca de Conformidade Europeia



Marca de Conformidade Britânica



Marca de Conformidade Ucraniana



Marca de Conformidade Eurasiática



TECHNISCHE GEGEVENS Accu-blikschaar		M18 BMS12	M18 BMS20
Productienummer		4776 43 02... ... 000001-999999	4776 44 02... ... 000001-999999
Spanning wisselakku		18 V	18 V
Onbelast toerental		0 - 2500 min ⁻¹	0 - 2500 min ⁻¹
Kleinste snijradius		180 mm	180 mm
Knipvermogen max.		5,5 m/min	5,5 m/min
Staal 400 N/mm ²		1,2 mm	2,0 mm
600 N/mm ²		0,95 mm	1,6 mm
800 N/mm ²		0,8 mm	1,2 mm
Aluminium 250 N/mm ²		2,0 mm	3,2 mm
Gewicht volgens de EPTA-procedure 01/2014 (2,0 Ah)		2,3 kg	2,34 kg
Aanbevolen omgevingstemperatuur voor het bedrijf		-18°C ... +50°C	-18°C ... +50°C
Aanbevolen accupacks		M18B...	M18B...
Aanbevolen laadtoestellen		M12-18...	M12-18...
Geluidsinformatie			
Meetwaarden vastgesteld volgens EN 62841. Het kenmerkende A-gewogen geluidsniveau van de machine bedraagt:			
Geluidsdruk niveau (Onzekerheid K=3dB(A))		78,2 dB (A)	78,2 dB (A)
Geluidsvermogen niveau (Onzekerheid K=3dB(A))		89,2 dB (A)	89,2 dB (A)
Draag oorbeschermers!			
Trillingsinformatie			
Totale trillingswaarden (vectorsom van drie richtingebepaald volgens EN 62841.			
Trillingsemissiewaarde a _h		4,75 m/s ²	7,07 m/s ²
Onzekerheid K=		1,5 m/s ²	1,5 m/s ²



WAARSCHUWING

De in dit informatieblad vermelde trillings- en geluidsniveaus zijn gemeten in overeenstemming met een standaard testmethode conform EN 62841 en kunnen worden gebruikt om gereedschap met elkaar te vergelijken. Deze kunnen ook worden gebruikt voor het vooraf evalueren van de blootstelling.

De vermelde trillings- en geluidsniveaus gelden voor de meest gebruikelijke toepassingen van het gereedschap. Wanneer het gereedschap echter voor andere doeleinden of met andere hulpstukken gebruikt wordt of niet naar behoren onderhouden wordt, kan de mate van blootstelling over de hele werkperiode aanzienlijk hoger uitvallen.

Voor een nauwkeurige inschatting van de blootstelling aan trillingen en geluid moet ook de tijd in aanmerking worden genomen die het apparaat uitgeschakeld is of weliswaar loopt, maar niet werkelijk in gebruik is. Dit kan de waarde van de mate aan blootstelling over de hele werkperiode aanzienlijk verminderen.

Bepaal extra veiligheidsmaatregelen ter bescherming van de gebruiker tegen de gevolgen van trillingen en/of geluid, bijvoorbeeld: onderhoud van het gereedschap en hulpstukken, warmhouden van de handen, organisatie van de werkprocessen.

⚠ WAARSCHUWING! Lees alle veiligheidsinstructies en aanwijzingen door. Als u de volgende aanwijzingen niet in acht neemt, kunnen een elektrische schok, brand en/of ernstig letsel het gevolg zijn.

Bewaar alle waarschuwingen en voorschriften voor toekomstig gebruik.

⚠ VEILIGHEIDSinSTRUCTIES VOOR BLIKSCHAREN

Gebruik het apparaat, het toebehoren, de gereedschappen enz. overeenkomstig de ze instructies. Houd daarbij rekening met de werkomstandigheden en de uit te voeren werkzaamheden. Het gebruik van gereedschappen voor andere dan de voorgeschreven toepassingen kan tot gevaarlijke situaties leiden.

Bij het werken met de machine altijd een veiligheidsbril dragen. Werkhandschoenen en stofkapje voor de mond worden aanbevolen.

Borg uw werkstuk met behulp van een spaninrichting Niet geborgde werkstukken kunnen ernstig letsel en grote schade veroorzaken.

Bij het snijden, houd de machine zodat de messen zijn stevig contact met het materiaal voor de snelste snijden. Solliciteer zelfs druk. Te veel druk zal de neiging om het gereedschap vastlopen of veroorzaken een ruwe montage.

Let op dat het apparaat weer zelfstandig naar het oorspronkelijke arbeidstoerental stuur zodra de belasting wegvalt. Leg het elektrische gereedschap nooit neer, vóór het inzetstuk volledig tot stilstand is gekomen. Het gereedschap kan blijven haken waardoor u de controle over het apparaat kunt verliezen.

Voor alle werkzaamheden aan de apparat de akku verwijderen.

WAARSCHUWING! Voorkom brand, persoonlijk letsel of materiële schade door kortsluiting en dompel het gereedschap, de wisselaccu en het laadtoestel niet onder in vloeistoffen en waarborg dat geen vloeistoffen in de apparaten en accu's kunnen dringen. Corrosieve of geleidende vloeistoffen zoals zout water, bepaalde chemicaliën, bleekmiddelen of producten die bleekmiddelen bevatten, kunnen een kortsluiting veroorzaken.

Wisselakku's van het Akku-Systeem M18 alléén met laadapparaten van het Akku-Systeem M18 laden. Geen akku's van andere systemen laden.

Wisselakku's en laadapparaten niet openen en alleen in droge ruimtes opslaan. Tegen vocht beschermen.

AKKU

Langere tijd niet toegepaste wisselakku's vóór gebruik altijd naladen. Een temperatuur boven de 50°C vermindert de capaciteit van de accu. Langdurige verwarming door zon of hitte vermijden.

De aansluitcontacten aan het laadapparaat en de akku schoonhouden.

Voor een optimale levensduur moeten de accu's na het gebruik volledig opgeladen worden.

Voor een zo lang mogelijke levensduur van de accu's dienen deze na het opladen uit het laadtoestel te worden verwijderd.

Bij een langere opslag van de accu dan 30 dagen: accu bij ca. 27°C droog bewaren.; accu bij ca. 30% - 50% van de laadtoestand bewaren.; accu om de 6 maanden opnieuw opladen.

Verbruikte akku's niet in het vuur of bij het huisvuil werpen. Milwaukee biedt namelijk een milieuvriendelijke recyclingmethode voor uw oude akku's.

Wisselakku's niet bij metalen voorwerpen bewaren (kortsluitingsgevaar!).

Onder extreme belasting of extreme temperaturen kan uit de accu accu-vloeistof lopen. Na contact met accu-vloeistof direct afwassen met water en zeep. Bij oogcontact direct minstens 10 minuten grondig spoelen en onmiddellijk een arts raadplegen.

In de wisselakku-opnameschacht van het laadapparaat mogen géén metaaldeeltjes komen (kortsluitingsgevaar!).

TRANSPORT VAN LITHIUM-IONEN-ACCU'S

Lithium-ionen-accu's vallen onder de wettelijke bepalingen inzake het transport van gevaarlijke goederen.

Voor het transport van deze accu's moeten de lokale, nationale en internationale voorschriften en bepalingen in acht worden genomen.

Verbruikers mogen deze accu's zonder meer over de weg transporteren.

Het commerciële transport van lithium-ionen-accu's door expeditiebedrijven is onderhevig aan de bepalingen inzake het transport van gevaarlijke goederen. De verzendingsvoorbereidingen en het transport mogen uitsluitend worden uitgevoerd door dienovereenkomstig opgeleide personen. Het complete proces moet vakkundig worden begeleid.

Onderstaande punten moeten bij het transport van accu's in acht worden genomen:

Waarborg ter vermindering van kortsluitingen dat de contacten beschermd en geïsoleerd zijn. Let op dat het accupack in de verpakking niet kan verschuiven. Beschadigde of lekkende accu's mogen niet worden getransporteerd. Neem voor meer informatie contact op met uw expeditiebedrijf.

VOORGESCHREVEN GEBRUIK VAN HET SYSTEEM

Het elektrische gereedschap is bestemd voor het knippen van metaalplaat zonder spaanverlies. Het is geschikt om recht en in bochten te knippen.

ONDERHOUD

Houd het apparaat vrij van stof en verontreinigingen. Houd de handgreep schoon, droog en vrij van olie of vet. Reinigings- en oplosmiddelen zijn schadelijk voor kunststoffen en andere inseker onderdelen. Reinig het apparaat daarom alleen met een vochtige doek. Gebruik nooit brandbare oplosmiddelen in de buurt van het apparaat.

Altijd de luchtspleten van de machine schoonhouden.

Gebruik uitsluitend Milwaukee toebehoren en onderdelen. Indien componenten die moeten worden vervangen niet zijn beschreven, neem dan contact op met een officieel Milwaukee servicecentrum (zie onze lijst met servicecentra).

Onder vermelding van het nummer op het machineplaatje is desgewenst een doorsnedetekening van de machine verkrijgbaar bij: Techtronic Industries GmbH, Max-Eyth-Straße 10, 71364 Winnenden, Germany.

EC - VERKLARING VAN OVEREENSTEMMING

We verklaren geheel onder eigen verantwoordelijkheid dat het product in de "Technische data" voldoet aan alle relevante bepalingen van de richtlijnen

2011/65/EU (RoHS)

2006/42/EG

2014/30/EU

en de volgende geharmoniseerde normen zijn gebruikt.

EN 62841-1:2015

EN 62841-2-8:2016

EN 55014-1:2017+A11:2020

EN 55014-2:2015

EN IEC 63000:2018



Winnenden, 2020-11-20

Alexander Krug / Managing Director

Gemachtigd voor samenstelling van de technische documenten

Techtronic Industries GmbH

Max-Eyth-Straße 10, 71364 Winnenden, Germany



SYMBOLEN



OPGELET! WAARSCHUWING! GEVAAR!



Graag instructies zorgvuldig doorlezen vóórdát u de machine in gebruik neemt.



Draag veiligheidshandschoenen!



Bij het werken met de machine altijd een veiligheidsbril dragen.



Voor alle werkzaamheden aan de apparat de akku verwijderen.



Toebehoren - Wordt niet meegeleverd. Is apart leverbaar. Zie hiervoor het toebehorenprogramma.



Elektrische apparaten mogen niet via het huisafval worden afgevoerd. Elektrische en elektronische apparaten moeten gescheiden worden verzameld en voor een milieuvriendelijke afvoer worden afgegeven bij een recyclingbedrijf. Informeer bij uw gemeente of bij uw vakhandelaar naar recyclingbedrijven en inzamelpunten.



Europees symbool van overeenstemming



Brits symbool van overeenstemming



Oekraïens symbool van overeenstemming



Euro-Aziatisch symbool van overeenstemming



TEKNISKE DATA Akku pladesaks		M18 BMS12	M18 BMS20
Produktionsnummer		4776 43 02... ... 000001-999999	4776 44 02... ... 000001-999999
Udskiftningsbatteriets spænding		18 V	18 V
Omdrejningstal, ubelastet		0 - 2500 min ⁻¹	0 - 2500 min ⁻¹
Mindste skæreradius		180 mm	180 mm
Klippekapacitet maks.		5,5 m/min	5,5 m/min
Stål 400 N/mm ²		1,2 mm	2,0 mm
600 N/mm ²		0,95 mm	1,6 mm
800 N/mm ²		0,8 mm	1,2 mm
Aluminium 250 N/mm ²		2,0 mm	3,2 mm
Vægt svarer til EPTA-procedure 01/2014 (2,0 Ah)		2,3 kg	2,34 kg
Anbefalet omgivelsestemperatur til driften		-18°C ... +50°C	-18°C ... +50°C
Anbefalede batteripakker		M18B...	M18B...
Anbefalede opladere		M12-18...	M12-18...
Støjinformation			
Måleværdier beregnes iht. EN 62841. Værktøjets A-vurderede støjniveau er typisk:			
Lydtrykniveau (Usikkerhed K=3dB(A))		78,2 dB (A)	78,2 dB (A)
Lydeffekt niveau (Usikkerhed K=3dB(A))		89,2 dB (A)	89,2 dB (A)
Brug høreværn!			
Vibrationsinformation			
Samlede vibrationsværdier (værdisum for tre retninger) beregnet iht. EN 62841.			
Vibrationsseksponering a _h		4,75 m/s ²	7,07 m/s ²
Usikkerhed K=		1,5 m/s ²	1,5 m/s ²



ADVARSEL

Det vibrations- og støjmissionsniveau, der nævnes i dette oplysningskema, er blevet målt i overensstemmelse med en standardiseret test fra EN 62841, og det kan bruges til at sammenligne ét værktøj med et andet. Det kan bruges til en foreløbig bedømmelse af eksponeringen.

Det erklærede vibrations- og støjmissionsniveau repræsenterer værktøjets primære anvendelsesformål. Det er dog sådan, at hvis værktøjet bruges til andre formål, med forskelligt tilbehør eller dårlig vedligehold, så kan vibrations- og støjmissionen variere. Det kan evt. øge eksponeringsniveauet markant i løbet af det samlede arbejdstidsrum.

En vurdering af eksponeringsniveauet ift. vibration og støj bør også tage hensyn til de tidspunkter, hvor værktøjet er slukket eller hvor det kører, men rent faktisk ikke udfører jobbet. Det kan evt. mindske eksponeringsniveauet markant i løbet af det samlede arbejdstidsrum.

Identificér yderligere sikkerhedsforanstaltninger med henblik på at beskytte brugeren mod effekten af vibration og/eller støj, som fx: vedligehold værktøjet og tilbehøret, hold hænderne varme, organisering af arbejdsmonstre.

⚠ ADVARSEL! Læs alle sikkerhedsanvisninger og øvrige vejledninger. Overholder du ikke følgende instruktioner, kan du få elektrisk stød, der kan opstå brand og/eller du kan blive kvæstet alvorligt.

Opbevar alle advarselshenvisninger og instrukser til senere brug.

⚠ SIKKERHEDSINSTRUKTIONER FOR PLADESAXE

Brug værktøjet, tilbehør, indsatsværktøj osv. iht. disse instruktioner. Tag herved hensyn til arbejdsforholdene og det arbejde, der skal udføres. Brug af maskiner til andre formål end det fastlagte anvendelsesområde, kan føre til farlige situationer.

Når der arbejdes med maskinen, skal man have beskyttelsesbriller på. Beskyttelseshandsker, skridsikre sko, høreværn og forklæde anbefales.

Sørg for at sikre dit emne med en spændeanordning. Ikke sikrede emner kan forårsage alvorlige kvæstelser og beskadigelser.

Ved skæring, holder værktøjet så knivene er i fast kontakt med materialet for den hurtigste skæring. Påfør jævnt tryk. For meget pres vil være tilbøjelige til at blokere den værktøj eller forårsage en groft skåret.

Bemærk, at maskinen kører op på den oprindelige arbejds hastighed igen af sig selv, når belastningen er væk. Læg aldrig elektrovrærktøjet fra dig, før indsatsværktøjet er standset helt. Indsatsværktøjet kan sætte sig fast og føre til, at man mister kontrollen over værktøjet.

Ved arbejde inden i maskinen, bør batteriet tages ud.

ADVARSEL! For at undgå risiko for brand, kvæstelser eller beskadigelse af produktet forårsaget af kortslutning må værktøjet, batteripakken eller opladeren ikke nedsænkes i vand. Sørg ligeledes for, at der ikke trænger væske ind i enhederne og batterierne.

Korroderende eller ledende væsker, f.eks. saltvand, bestemte kemikalier, blegestoffer eller produkter, som indeholder blegestoffer, kan forårsage kortslutning.

Brug kun M18 ladeapparater for opladning af System M18 batterier. Udskiftningsbatterier og opladere må ikke åbnes og skal opbevares i tørre rum. Beskyt dem mod fugtighed.

BATTERI

Udskiftningsbatterier, der ikke har været brugt i længere tid, efterlades inden brug.

Ved temperaturer over 50°C formindskes batteriets effekt. Undgå direkte sollys og stærk varme.

Tilslutningskontakterne på oplader og udskiftningsbatterier skal holdes rene.

For at opnå en optimal levetid skal de genopladelige batterier oplades fuldt efter brug.

For at sikre en så lang levetid som muligt skal batterierne tages ud af ladeaggregatet efter opladning.

Skal batterierne opbevares længere end 30 dage: Temperatur ca. 27°C i tørre omgivelser.; Opbevares ved ca. 30%-50% af ladetilstanden.; Batteri skal genoplades hver 6. måned.

Opbrugte udskiftningsbatterier må ikke brændes eller kasseres sammen med alm. husholdningsaffald. Milwaukee har en miljørigtig bortskaffelse af gamle udskiftningsbatterier, henvend Dem til Deres forhandler.

Opbevar ikke udskiftningsbatterier sammen med metalgenstande af fare for kortslutning.

I tilfælde af en ekstrem belastning eller ekstrem temperatur kan der flyde batterivæske ud af et beskadiget batteri. Hvis De kommer i berøring med batterivæsken, skal den vaskes godt og grundigt af med vand og sæbe. I tilfælde af øjenkontakt, skal man mindst skylle øjnene godt og grundigt igennem i 10 minutter og omgående opsøge en læge.

Metaldele o.lign må ikke komme i berøring med rummet beregnet for udskiftningsbatteriet (kortslutningsfare).

TRANSPORT AF LITHIUM-BATTERIER

Lithium-batterier er omfattet af lovgivningen om transport af farligt gods.

Transporten af disse batterier skal ske under overholdelse af lokale, nationale og internationale regler og bestemmelser.

Forbrugere må transportere disse batterier på veje uden yderligere krav.

Den kommercielle transport af lithium-batterier ved speditorsfirmaer er omfattet af reglerne for transport af farligt gods. Forberedelsen af forsendelse og transport må kun udføres af tilsvarende trænedede personer. Den samlede proces skal følges af fagfolk.

Følgende punkter skal overholdes ved transport af batterier:

Sørg for at kontakterne er beskyttet og isoleret for at forhindre kortslutninger. Sørg for at batteripakken ikke kan bevæge sig inden for emballagen. Beskadigede eller lækkende batterier må ikke transporteres. Kontakt dit speditorsfirma for at få yderligere oplysninger.

TILTÆNKT FORMÅL

El-værktøjet er beregnet til at skære i metal uden spåntab. Det er egnet til kurvesnit og lige snit.

VEDLIGEHOLDELSE

Fjern altid støv og snavs fra værktøjet. Hold håndtaget rent, tørt og frit for olie eller fedt. Rengør kun værktøjet med mild sæbe og en fugtig klud, da rengørings- og opløsningsmidler er skadelige for plastmaterialer og andre isolerende dele. Anvend aldrig brændbare opløsningsmidler i nærheden af værktøjet.

Hold altid maskinens ventilationsåbninger rene.

Brug kun Milwaukee-tilbehør og Milwaukee-reservedele. Komponenter, hvor udskiftningsproceduren ikke er beskrevet, skal skiftes ud hos et Milwaukee-servicested (se brochure garanti/kundeservice-adresser).

Ved opgivelse af type nr. der er angivet på maskinens effektskilt, kan de rekvirere en reservedelstegning, ved henvendelse til: Techtronic Industries GmbH, Max-Eyth-Straße 10, 71364 Winnenden, Germany.

CE-KONFORMITETSERKLÆRING

Vi erklærer som eneansvarlige, at produktet, som beskrives under „Tekniske data“, opfylder alle de relevante bestemmelser i direktiverne 2011/65/EU (RoHS) 2006/42/EF 2014/30/EU og følgende harmoniserede standarder er blevet anvendt.

EN 62841-1:2015
EN 62841-2-8:2016
EN 55014-1:2017+A11:2020
EN 55014-2:2015
EN IEC 63000:2018



Winnenden, 2020-11-20

Alexander Krug / Managing Director
Autoriseret til at udarbejde de tekniske dokumenter.
Techtronic Industries GmbH
Max-Eyth-Straße 10, 71364 Winnenden, Germany



SYMBOLER



VIGTIGT! ADVARSEL! FARE!



Læs brugsanvisningen nøje før ibrugtagning.



Brug beskyttelseshandsker!



Når der arbejdes med maskinen, skal man have beskyttelsesbriller på.



Ved arbejde inden i maskinen, bør batteriet tages ud.



Tilbehør - Ikke inkluderet i leveringsomfanget, køb som tilbehør.



Elektrisk udstyr må ikke bortskaffes sammen med det almindelige husholdningsaffald. Elektrisk og elektronisk udstyr skal indsamles særskilt og afleveres hos en genbrugsvirksomhed til en miljømæssig forsvarlig bortskaffelse. Spørg de lokale myndigheder eller din forhandler om genbrugsstationer og indsamlingssteder til sådant affald.



Europæisk konformitetsmærke



Britisk konformitetsmærke



Ukrainsk konformitetsmærke



Eurasisk konformitetsmærke



TEKNISKE DATA Platesaks Batteridrevet		M18 BMS12	M18 BMS20
Produksjonsnummer		4776 43 02... ... 000001-999999	4776 44 02... ... 000001-999999
Spenning vekselbatteri		18 V	18 V
Tomgangsturtall		0 - 2500 min ⁻¹	0 - 2500 min ⁻¹
Min. skæreradius		180 mm	180 mm
Skjærekapasitet maks		5,5 m/min	5,5 m/min
Stål 400 N/mm ²		1,2 mm	2,0 mm
600 N/mm ²		0,95 mm	1,6 mm
800 N/mm ²		0,8 mm	1,2 mm
Aluminium 250 N/mm ²		2,0 mm	3,2 mm
Vekt i henhold til EPTA-Proseduren 01/2014 (2,0 Ah)		2,3 kg	2,34 kg
Anbefalt omgivelsestemperatur for drift		-18°C ... +50°C	-18°C ... +50°C
Anbefalte batteripakker		M18B...	M18B...
Anbefalte ladere		M12-18...	M12-18...
Støyinformasjon			
Måleverdier fastslått i samsvar med EN 62841. Det typiske A-bedømte støynivået for maskinen er:			
Lydtrykknivå (Usikkerhet K=3dB(A))		78,2 dB (A)	78,2 dB (A)
Lydeffektnivå (Usikkerhet K=3dB(A))		89,2 dB (A)	89,2 dB (A)
Bruk hørselsvern!			
Vibrasjonsinformasjoner			
Totale svingningsverdier (vektorsum fra tre retninger) beregnet jf. EN 62841.			
Svingningsemisjonsverdi a _h		4,75 m/s ²	7,07 m/s ²
Usikkerhet K=		1,5 m/s ²	1,5 m/s ²



Nor

ADVARSEL

De angitte vibrasjonseksposering- og støynivåverdiene har blitt målt i samsvar med standardiserte målemetoder jmf. EN 62841 og kan brukes til å sammenligne et verktøy med et annet. De kan brukes til en foreløpig eksponeringsvurdering.

De angitte vibrasjonseksposering- og støyemisjonsverdiene gjelder for vanlig bruk av verktøyet. Dersom verktøyet blir brukt til noe annet, sammen med annet utstyr eller er dårlig vedlikeholdt kan de angitte vibrasjonseksposering- og støyeverdiene variere. Dette kan øke eksponerings- og emisjonsverdiene betraktelig for hele perioden du bruker verktøyet.

Når en vurderer vibrasjonseksposeringsnivået og støyeverdi må en inkludere den perioden som verktøyet er slått av eller når verktøyet går, men ikke direkte brukes til noe. Dette kan redusere eksponeringsnivået betraktelig over hele perioden som verktøyet er i bruk.

Det er viktig å etablere ytterligere sikkerhetstiltak for å beskytte brukeren mot påvirkning av vibrasjon og/eller støy, slik som: vedlikehold av verktøyet og tilleggsutstyr, hold hendene varme, organiserte arbeidsrutiner.

⚠ ADVARSEL! Les alle sikkerhetsinstruksjoner og bruksanvisninger. Hvis du ikke følger følgende anvisninger, kan det oppstå elektriske støt, ild og/eller store skader.

Ta godt vare på alle advarslene og informasjonene.

⚠ SIKKERHETSINSTRUKSJER FOR PLATESAKSER

Bruk apparat, tilbehør, innsettingsverktøy osv. respektive denne anvisningen. Ta derved hensyn til arbeidsbetingelsene og den utførende virksomhet. Bruk av apparatet på annen måte enn den det er konsipert for kan føre til farlige situasjoner.

Bruk alltid vernebrille når du arbeider med maskinen. Det anbefales å bruke arbeidshansker, faste og sklisikre sko og forkle.

Klem fast arbeidsemnet med en spenninnetring. Ikke sikre arbeidsemner kan ha alvorlige helseskader og skader av material til følge.

Når du kutter, hold verktøyet slik at knivene er i fast kontakt med materialet for den raskeste skjæring. Påfør et jevnt trykk. For mye press vil tendere til å jamme verktøyet eller forårsake en grov kutt.

Vær oppmerksom på at maskinen selvstendig kjører opp til opprinnelig arbeidsomdreiningstall når belastningen opphører. Legg aldri fra deg elektroverktøyet før verktøyet har stanset helt. Verktøyet som er satt i kan hekte seg opp og det kan føre til tap av kontrollen over apparatet.

Ta ut vekselbatteriet før du arbeider på maskinen

ADVARSEL! For å unngå fare for en brann forårsaket av en kortslutning, av personskader eller skader av produktet, må det forhindres at batteripakken eller laderen dypes i væsker og også sørges for at ingen væsker kan komme inn i apparatene eller batteriene. Korroderende og ledende væsker som saltvann, visse kjemikalier og blekemidler eller produkt som inneholder blekemidler kan forårsake en kortslutning.

Norsk

Vekselbatterier av systemet M18 skal kun lades med lader av systemet M18. Ikke lad opp batterier fra andre systemer.

Ikke åpne vekselbatterier og ladere, de skal oppbevares i tørre rom. Beskyttes mot fuktighet.

BATTERIER

Vekselbatterier som ikke er brukt over lengre tid skal etterlades før bruk.

En temperatur over 50°C reduserer vekselbatteriets kapasitet. Unngå oppvarming i sol eller ved varmeovner (fyring) i lengre tid.

Hold tilkoplingskontaktene på lader og vekselbatteri rene.

For optimal holdbarhet må batteriene lades opp helt etter bruk.

For å sikre en lengst mulig brukstid av batteriene skal disse etter oppladning taes ut av laderen.

Ved lagring av batteriene lengre enn 30 dager: Lagre batteriet tørt ved ca. 27°C.; Lagre batteriet ved en oppladningsstilstand på ca. 30%-50%; Lade opp batteriet igjen etter 6 måneder.

Ikke kast brukte vekselbatterier i varmen eller husholdningsavfallet. Milwaukee tilbyr en miljøriktig deponering av gamle vekselbatterier; vennligst spør din fagforhandler.

Ikke oppbevar vekselbatterier sammen med metallgjenstander (kortslutningsfare).

Under ekstreme belastninger og ekstreme temperaturer kan det lekke ut batterivæske fra utskiftbare batterier. Ved berøring med batterivæske, vask umiddelbart med såpe og vann. Ved kontakt med øynene må øynene skylles grundig i rennende vann i minst 10 minutter. Oppsøk lege umiddelbart.

Metalldeleer må ikke komme inn i innskyvningsjakten for vekselbatterier på ladere (kortslutningsfare).

TRANSPORT AV LITIUM-ION-BATTERI

Litium-ion-batterier faller under de lovfestede forskriftene om transport av farlig gods.

Transporten av disse batteriene må rette seg etter lokale, nasjonale og internasjonale forskrifter og bestemmelser.

Forbruker har lov å transportere disse batteriene på gaten uten reglementering.

Den kommersielle transport av Litium-ion-batterier av spedisjonsfirma faller under bestemmelsene om transport av farlig gods.

Forberedningene av forsendelsen og transport skal utelukkende gjennomføres av personer som har blitt skolert til dette. Hele prosessen skal følges opp av fagfolk.

Følgende punkter skal tas hensyn til ved transport:

Kontroller at kontaktene er beskyttet og isolert for å unngå kortslutninger. Pass på at batteripakken i forpakningen ikke kan skli fram og tilbake. Skadede eller batterier som lekker er det ikke lov å transportere. Ta kontakt med spedisjonsfirma for ytterlige henvisninger.

FORMÅLSMESSIG BRUK

Elektroverktøyet er beregnet til skjæring av metallplater uten spontap. Den er egnet til rette og buede snitt.

VEDLIKEHOLD

Fjern alltid støv og smuss fra apparatet. Hold håndtaket rent, tørt og fritt for olje og fett. Rense- og løsemiddel er skadelig for kunststoff og andre isolerende deler, rengjør derfor apparatet bare med en mild såpe og en fuktig klut. Bruk aldri brennbar løsemiddel i nærheten av apparatet.

Hold alltid luftenåpningene på maskinen rene.

Bruk kun Milwaukee tilbehør og Milwaukee reservedeler. Komponenter der utskiftning ikke er beskrevet skal skiftes ut hos Milwaukee kundeservice (se brosjyre garanti/kundeserviceadresser).

Ved behov kan du be om en eksplosjonstegning av apparatet hos din kundeservice eller direkte hos Techtronic Industries GmbH, Max-Eyth-Straße 10, 71364 Winnenden, Germany. Oppgi maskintype og det nummeret på typeskiltet.

CE-SAMSVARERKLÆRING

Vi erklærer i alene ansvar at produktet beskrevet i „Teknisk data“ overensstemmer med alle relevante forskrifter til Eu direktiv 2011/65/EU (RoHS) 2006/42/EC 2014/30/EU og de følgende harmoniserte normative dokumentene. fyrstikker EN 62841-1:2015 EN 62841-2-8:2016 EN 55014-1:2017+A11:2020 EN 55014-2:2015 EN IEC 63000:2018



Winnenden, 2020-11-20

Alexander Krug / Managing Director
Autorisert til å utarbeide den tekniske dokumentasjonen
Techtronic Industries GmbH
Max-Eyth-Straße 10, 71364 Winnenden, Germany



SYMBOLER



OBS! ADVARSEL! FARE!



Les nøye gjennom bruksanvisningen før maskinen tas i bruk.



Bruk vernehansker!



Bruk alltid vernebrille når du arbeider med maskinen.



Ta ut vekselbatteriet før du arbeider på maskinen



Tilbehør - inngår ikke i leveransen, anbefalt komplettering fra tilbehørsprogrammet.



Elektriske apparat skal ikke kastes sammen med vanlig husholdningsavfall. Elektriske og elektroniske apparat skal samles separat og leveres til miljøvennlig deponering til en avfall bedrift. Informer deg hos myndighetene på stedet eller hos din fagforhandler hvor det finnes recycling bedrifter oppsamlingssteder.



Europeisk samsvarsmerke



Britisk samsvarsmerke



Ukrainsk samsvarsmerke



Euroasiatisk samsvarsmerke



TEKNISKA DATA Batteridriven plåtsax		M18 BMS12	M18 BMS20
Produktionsnummer		4776 43 02... ... 000001-999999	4776 44 02... ... 000001-999999
Batterispänning		18 V	18 V
Tomgångsvarvtal, obelastad		0 - 2500 min ⁻¹	0 - 2500 min ⁻¹
Minsta skärradie		180 mm	180 mm
Skäreffekt max.		5,5 m/min	5,5 m/min
Stål 400 N/mm ²		1,2 mm	2,0 mm
600 N/mm ²		0,95 mm	1,6 mm
800 N/mm ²		0,8 mm	1,2 mm
Aluminium 250 N/mm ²		2,0 mm	3,2 mm
Vikt enligt EPTA 01/2014 (2,0 Ah)		2,3 kg	2,34 kg
Rekommenderad omgivningstemperatur för driften		-18°C ... +50°C	-18°C ... +50°C
Rekommenderade batterier (Akkupacks)		M18B...	M18B...
Rekommenderade laddare		M12-18...	M12-18...
Bullerinformation			
Mätvärdena har tagits fram baserade på EN 62841. A-värdet av maskinens ljudnivå utgör:			
Ljudtrycksnivå (Onoggrannhet K=3dB(A))		78,2 dB (A)	78,2 dB (A)
Ljudeffektsnivå (Onoggrannhet K=3dB(A))		89,2 dB (A)	89,2 dB (A)
Använd hörselskydd!			
Vibrationsinformation			
Totala vibrationsvärden (vektorsumma ur tre riktningar) framtaget enligt EN 62841.			
Vibrationsemissionsvärde a _n		4,75 m/s ²	7,07 m/s ²
Onoggrannhet K=		1,5 m/s ²	1,5 m/s ²



VARNING

De deklarerade vibrations- och bullernivåerna på detta informationsblad har uppmätts i enlighet med en standardiserad testmetod enligt EN 62841 och kan användas för att jämföra ett verktyg med ett annat. Det kan användas för en preliminär bedömning av exponeringen.

Den angivna vibrations- och bullernivån representerar verktygets huvudsakliga tillämpningar. Om verktyget emellertid används för olika tillämpningar, med olika eller dåligt underhållna tillbehör, kan vibrations- och bullerutsläppet variera. Detta kan öka exponeringsnivån avsevärt över den totala arbetsperioden.

En uppskattning av exponeringsnivån för vibrationer och buller bör även ta hänsyn till de tider då verktyget är avstängt eller när det körs utan att faktiskt arbeta. Detta kan avsevärt minska exponeringsnivån över den totala arbetsperioden.

Identifiera ytterligare säkerhetsåtgärder för att skydda operatören mot effekterna av vibrationer och/eller buller såsom: underhåll av verktyget och tillbehören, hålla händerna varma, organisation av arbetsmönster.

⚠️ VARNING! Läs alla säkerhetsanvisningar och andra tillhörande anvisningar. Om nedanstående anvisningar ignoreras finns risk för att elstöt, brand och/eller allvarliga personskador uppstår.

Förvara alla varningar och anvisningar för framtida bruk.

⚠️ SÄKERHETSANVISNINGAR FÖR PLÅTSAXAR

Använd maskin, tillbehör isättningsverktyg osv. enligt dessa anvisningar. Ta hänsyn till arbetsförhållandena och den arbetsuppgift som ska utföras. Att använda maskiner eller apparater på annat sätt än den avsedda användningen kan leda till farliga situationer.

Använd alltid skyddsglasögon, skyddshandskar och hörselskydd.

Säkra arbetsstycket med en fastspänningsanordning. Arbetsstycken som inte är ordentligt fastspända kan leda till allvarlig kroppsskada eller annan skada.

Vid kapning, håll verktyget så att knivarna har fast kontakt med materialet för den snabbaste kapning. Applicera jämnt tryck. För mycket tryck tenderar att störa ut verktyget eller orsaka en grov.

Observera att maskinen automatiskt kör upp till det ursprungliga arbetsvarvtalet när överbelastningen är borta. Lagg aldrig ifrån dig elverket förän insatsverktyget är helt stillastående. Isättningsverktyget kan fasta och göra att man tappar kontrollen över maskinen. Drag ur batteripaket innan arbete utföres på maskinen.

VARNING! För att undvika den fara för brand, personskador eller produktskador som orsakas av en kortslutning, doppa inte ner verktyget, utbytesbatteriet eller laddaren i vätskor och se till att ingen vätska kan tränga in i apparaterna eller batterierna. Korroderande eller ledande vätskor, som saltvatten, vissa kemikalier, blekningsmedel eller produkter som innehåller blekmedel, kan orsaka en kortslutning.

System M18 batterier laddas endast i System M18 laddare. Ladda inte batterier från andra system.

Batterier lagras torrt och skyddas från fukt.

BATTERIER

Batteri som ej använts på länge måste laddas före nytt bruk.

En temperatur över 50°C reducerar batteriets effekt. Undvik längre uppvärmning tex i solen eller nära ett element.

Se till att anslutningskontakterna i laddaren och på batteriet är rena.

För att batterierna ska få lång livslängd ska de laddas fulla efter användning.

För att få en så lång livslängs som möjligt bör laddningsbara batterier avlägsnas från laddaren när de är laddade.

Om laddningsbara batterier lagras längre än 30 dagar: Lagra batteriet torrt och vid ca 27°C.; Lagra batteriet vid ca 30%-50% av laddningskapaciteten.; Ladda batterierna på nytt var 6:e månad.

Kasta inte förbrukade batterier. Lämna dem till Milwaukee Tools för återvinning.

Förvara ej batteriet ihop med metallföremål, kortslutning kan uppstå.

Under extrem belastning eller extrem temperatur kan batterivätska tränga ut ur skadade utbytesbatterier. Vid beröring med batterivätska tvätta genast av med vatten och tvål. Vid ögonkontakt spola genast i minst 10 minuter och kontakta genast läkare.

Se upp så att inga metallföremål hamnar i laddarens batterischakt, kortslutning kan uppstå.

TRANSPORTERA LITIUMJON-BATTERIER

För litiumjon-batterier gäller de lagliga föreskrifterna för transport av farligt gods på väg.

Därför får dessa batterier endast transporteras enligt gällande lokala, nationella och internationella föreskrifter och bestämmelser.

Konsumenter får transportera dessa batterier på allmän väg utan att behöva beakta särskilda föreskrifter.

För kommersiell transport av litiumjon-batterier genom en speditönsfirma gäller emellertid bestämmelserna för transport av farligt gods på väg. Endast personal som känner till alla tillämpliga föreskrifter och bestämmelser får förbereda och genomföra transporten. Hela processen ska följas upp på fackmässigt sätt.

Följande ska beaktas i samband med transporten av batterier:

Säkerställ att alla kontakter är skyddade och isolerade för att undvika kortslutning. Se till att batteripacken inte kan glida fram och tillbaka i förpackningen. Transportera aldrig batterier som läcker, har runnit ut eller är skadade. För mer information vänligen kontakta din speditönsfirma.

ANVÄND MASKINEN ENLIGT ANVISNINGARNA

Elverkytet är avsett för klippning av plåtar utan spånförlost. Verkytet är lämpligt för raka och kurviga snitt.

SKÖTSEL

Avlägsna alltid damm och smuts från verkytet. Håll handtaget rent, torrt och fritt från olja och fett. Starka rengörings- och lösningsmedel skadar plast och andra isolerande delar. Använd därför endast en mild tvål och en fuktig duk för att rengöra verkytet. Använd aldrig brandfarliga lösningsmedel i närheten av verkytet.

Se till att motorhöljets luftslitsar är rena.

Använd endast Milwaukee-tillbehör och Milwaukee-reservdelar.

Komponenter, för vilka inget byte beskrivs, skall bytas ut hos Milwaukee-kundtjänst (se broschyren garanti-/kundtjänstadresser).

Vid behov av sprängskiss, kan en sådan, genom att uppge maskinens art. nr. (som finns på typskylten) erhållas från: Techtronic Industries GmbH, Max-Eyth-Straße 10, 71364 Winnenden, Germany.

CE-FÖRSÄKRAN

Vi tar på vårt ansvar att produkten som har beskrivits under Tekniska data uppfyller alla relevanta villkor i direktiven

2011/65/EU (RoHS)

2006/42/EG

2014/30/EU

samt att följande harmoniserade standarder har använts.

EN 62841-1:2015

EN 62841-2-8:2016

EN 55014-1:2017+A11:2020

EN 55014-2:2015

EN IEC 63000:2018



Winnenden, 2020-11-20

Alexander Krug / Managing Director

Befullmäktigad att sammanställa teknisk dokumentation.

Techtronic Industries GmbH

Max-Eyth-Straße 10, 71364 Winnenden, Germany

SYMBOLER



OBSERVERA! VARNING! FARA!



Läs instruktionen noga innan du startar maskinen.



Bär skyddshandskar!



Använd alltid skyddsglasögon.



Drag ur batteripaket innan arbete utföres på maskinen.



Tillbehör - Ingår ej i leveransomfånget, erhålles som tillbehör.



Elektriska maskiner och elverktyg som kasseras får inte slängas tillsammans med de vanliga hushållssoporna. Elektriska maskiner och verktyg samt elektronisk utrustning som kasseras ska samlas separat och lämnas till en avfallsstation för miljövänlig avfallshandling. Kontakta den lokala myndigheten respektive kommunen eller fråga återförsäljare var det finns speciella avfallsstationer för elskrot.



Europeiskt konformitetsmärke



Britiskt konformitetsmärke



Ukrainskt konformitetsmärke

001



Euroasiatiskt konformitetsmärke



TEKNISET ARVOT Akkukäyttöiset peltisakset	M18 BMS12	M18 BMS20
Tuotantomerkki	4776 43 02... ... 000001-999999	4776 44 02... ... 000001-999999
Jännite vaihtoakku	18 V	18 V
Kuormittamaton kierrosluku	0 - 2500 min ⁻¹	0 - 2500 min ⁻¹
Pienin kääntösäde	180 mm	180 mm
Leikkausteho enint.	5,5 m/min	5,5 m/min
Teräkseen 400 N/mm ²	1,2 mm	2,0 mm
600 N/mm ²	0,95 mm	1,6 mm
800 N/mm ²	0,8 mm	1,2 mm
Alumiini 250 N/mm ²	2,0 mm	3,2 mm
Paino EPTA-menetelyn 01/2014 mukaan (2,0 Ah)	2,3 kg	2,34 kg
Suosittelut ympäristön lämpötila käytön aikana	-18°C ... +50°C	-18°C ... +50°C
Suosittelut akkusarjat	M18B...	M18B...
Suosittelut latauslaitteet	M12-18...	M12-18...
Melunpäästötiedot Mitta-arvot määritetty EN 62841 mukaan. Koneen tyypillinen A-luokitettu melutaso:		
Melutaso (Epävarmuus K=3dB(A))	78,2 dB (A)	78,2 dB (A)
Äänenvoimakkuus (Epävarmuus K=3dB(A))	89,2 dB (A)	89,2 dB (A)
Käytä kuulosuojaimia!		
Tärinätiedot Värähtelyn yhteisarvot (kolmen suunnan vektorisummitattuna EN 62841 mukaan).		
Värähtelyemissioarvo a _h	4,75 m/s ²	7,07 m/s ²
Epävarmuus K=	1,5 m/s ²	1,5 m/s ²



VAROITUS

Tässä tiedotteessa ilmoitettu (ilmoitetut) tärinä- ja melunpäästöarvo(t) on mitattu standardisoidulla testimenetelmällä SFS-EN 62841 mukaisesti ja sitä voidaan käyttää työkalun vertailemiseen toisen työkalun kanssa. Sitä voidaan käyttää alustavaan altistuksen arviointiin.

Ilmoitettu tärinä- ja melunpäästöarvo koskee työkalun pääkäyttötarkoituksia. Jos kuitenkin työkalua käytetään eri käyttötarkoituksiin eri varusteiden kanssa tai huonosti huollettuna, voi tärinä- ja melunpäästö erota ilmoitetusta. Tämä voi merkittävästi nostaa altistumistasoa koko työskentelyjakson ajaksi.

Arvioidussa tärinä- ja meluallistustasossa tulisi ottaa huomioon myös työkalun sammutuskerrat tai sen tyhjäkäynti. Tämä voi merkittävästi laskea altistumistasoa koko työskentelyjakson ajaksi.

Tunnista esimerkiksi seuraavat lisävarusteet, joilla voidaan suojata käyttäjää tärinän ja/tai melun vaikutuksilta: työkalun ja varusteiden ylläpito, käsien lämpimän pito, työnkulun organisointi.

VAROITUS! Lue kaikki, myös annetut turvallisuusmääräykset ja käyttöohjeet. Ellei noudata seuraavia ohjeita, saattaa se johtaa sähköiskuun, tulipaloon ja/tai vaikeisiin loukkaantumisiin.

Säilytä kaikki turvallisuus- ja muut ohjeet tulevaisuutta varten.

PELTISAKSIEN TURVALLISUUSMÄÄRÄYKSET

Käytä laitetta, varusteita, käyttötyökaluja jne. näiden ohjeiden mukaisesti. Ota aina huomioon työskentelyolosuhteet ja suoritettavat toimet. Laitteiden käyttö muuhun kuin niiden määrättyyn käyttötarkoitukseen saattaa aiheuttaa pahoja vaaratilanteita.

Käytä laitteella työskennellessäsi aina suojalaseja. Suojakäsineiden, turvallisien ja tukevapohjaisten kenkien, kuulosuojainten ja suojaesiliinan käyttöä suositellaan.

Varmista työstökappaleesi kiinnityslaitteella paikalleen. Varmista mattomat työstökappaleet saattavat aiheuttaa vakavia vammoja ja vaurioita.

Kun leikkaat, pidä työkalu niin, että terät ovat tiiviissä kosketuksessa materiaalin nopein leikkaus. Paina tasaisesti. Liika paine on taipumus juuttua työkalun tai aiheuttaa raakaleikkauksen.

Ota huomioon, että kone palaa takaisin alkuperäiseen työkierronluukuun, kun ylikuormitus lakkaa. Älä koskaan laske sähkötyökalua pois, ennen kuin käyttötyökalu on pysähtynyt täydellisesti. Liitetty työkalu saattaa takertua kiinni ja aiheuttaa laitteen hallinnan menettämisen.

Ota akku pois ennen kaikkia koneeseen tehtäviä toimenpiteitä.

VAROITUS! Jotta vältetään lyhytsulun aiheuttama tulipalon, loukkaantumisen tai tuotteen vahingoittumisen vaara, älä koskaan upota työkalua, vaihtoakkuja tai latauslaitetta nesteeseen ja huolehdi siitä, ettei mitään nesteitä pääse tunkeutumaan laitteiden tai akkujen sisään. Syövyttävät tai sähköä johtavat nesteet, kuten suolavesi, tietyt

kemikaalit ja lalkaisuaineet tai valkaisuaineita sisältävät tuotteet voivat aiheuttaa lyhytsulun.

Käytä ainoastaan System M18 latauslaitetta System M18 akkujen lataukseen. Älä käytä muiden järjestelmien akkuja.

Vaihtoakkuja ja latauslaitteita ei saa avata. Säilytys vain kuivissa tiloissa. Suojattava kosteudelta.

AKKU

Pitkään käyttämättä olleet vaihtoakut on ladattava ennen käyttöä.

Yli 50°C lämpötilassa akun suorituskyky heikkenee. Välttämättä akkujen säilyttämistä auringossa tai kuumissa tiloissa.

Pidä aina latauslaitteen ja akun kosketuspinnat puhtaina.

Optimaalisen käyttöiän saavuttamiseksi akut on ladattava täyteen käytön jälkeen.

Mahdollisimman pitkän elinajan takaamiseksi akut tulee poistaa laturista lataamisen jälkeen.

Akkua yli 30 päivää säilytettäessä: Säilytä akku yli 27 °C:ssa ja kuivassa. Säilytä akku sen latauksen ollessa 30 % - 50 %; Lataa akku 6 kuukauden välein uudelleen.

Käytettyjä vaihtoakkuja ei saa polttaa eikä poistaa normaalin jätehuollon kautta. Milwaukeella on tarjolla vanhoja vaihtoakkuja varten ympäristöystävällinen jätehuoltopalvelu.

Vaihtoakkua ei saa säilyttää yhdessä metalliesineiden kanssa (oikosulkuvaara).

Vaurioituneesta akusta saattaa erityisen kovassa käytössä tai poikkeavassa lämpötilassa vuotaa akkuhappoa. Ihonkohta, joka on joutunut kosketukseen akkuhapon kanssa on viipymättä pestävä vedellä ja saippualla. Silmä, johon on joutunut akkuhappoa, on huuhdeltava vedellä vähintään 10 minuutin ajan, jonka jälkeen on viipymättä hakeuduttava lääkärin apuun.

On varottava, ettei latauslaitteiden vaihtoakkulatauskoloon joudu metalliesineitä (oikosulkuvaara).

LITIUMI-IONIAKKujen KULJETTAMINEN

Litiumi-ioniakut kuuluvat vaarallisten aineiden kuljetuksesta annettujen lakien piiriin.

Näiden akkujen kuljettaminen täytyy suorittaa noudattaen paikallisia, kansallisia ja kansainvälisiä määräyksiä ja säädöksiä.

Kuluttajat saavat ilman muuta kuljettaa näitä akkuja teitä pitkin.

Kaupallisessa kuljetuksessa huolintaliikkeiden täytyy kuljettaa litiumi-ioniakkuja vaarallisten aineiden kuljetuksesta annettujen määräysten mukaisesti. Ainoastaan tähän vastaavasti koulutetut henkilöt saavat suorittaa kuljetuksen valmistelutoimet ja itse kuljetuksen. Koko prosessia tulee valvoa asiantuntevasti.

Seuraavat kohdat tulee huomioida akkuja kuljetettaessa:

Varmista, että akkujen kontaktit on suojattu ja eristetty, jotta vältetään lyhytsulut. Huolehdi siitä, ettei akkusarja voi luiskahtaa paikaltaan pakkauksen sisällä. Vahingoittuneita tai vuotavia akkuja ei saa kuljettaa. Pyydä tarkemmat tiedot huolintaliikkeeltäsi.

TARKOITUKSEN MUKAINEN KÄYTTÖ

Laitte on tarkoitettu pellin leikkaukseen ilman hukkasuikaletta. Se soveltuu sekä suoriin että kaareviin leikkauksiin.

HUOLTO

Pöly ja lika on poistettava laitteesta. Kahva on pidettävä puhtaina, kuivana ja öljyttömänä tai rasvattomana. Puhdistusaineet ja liuottimet vahingoittava muoveja ja muita eristäviä osia, minkä vuoksi laite puhdistetaan vain miedolla saippualla ja kostealla liinalla. Älä käytä koskaan syttyviä liuottimia laitteen lähellä.

Pidä moottorin ilmanottoaukot puhtaina.

Käytä ainoastaan Milwaukee lisätarvikkeita ja Milwaukee varaosia. Mikäli jokin komponentti, jota ei ole kuvailtu, tarvitsee vaihtoa ota yhteys johonkin Milwaukee palvelupisteistä (kts. listamme takuuhoitolikkeiden/ palvelupisteiden osoitteista)

Tarpeen vaatiessa voit pyytää lähettämään laitteen kokoonpanopii-rustuksen ilmoittamalla arvokilven numeron seuraavasta osoitteesta: Techtronic Industries GmbH, Max-Eyth-Straße 10, 71364 Winnenden, Germany.

TODISTUS CE-STANDARDIN MUKAISUUDESTA

Vakuutamme täten olevamme yksin vastuussa siitä, että kohdassa "Tekniset tiedot" kuvattu tuote vastaa kaikkia direktiivien merkityksellisiä säädöksiä

2011/65/EU (RoHS)

2006/42/IEY

2014/30/EU

ja seuraavia yhdenmukaistettuja standardeja on käytetty.

EN 62841-1:2015

EN 62841-2-8:2016

EN 55014-1:2017+A11:2020

EN 55014-2:2015

EN IEC 63000:2018



Winnenden, 2020-11-20

Alexander Krug / Managing Director

Valtuutettu kokoamaan tekniset dokumentit.

Techtronic Industries GmbH

Max-Eyth-Straße 10, 71364 Winnenden, Germany



SYMBOLIT



HUOMIO! VAROITUS! VAARA!



Lue käyttöohjeet huolellisesti, ennen koneen käynnistämistä.



Käytä suojakäsineitä!



Käytä laitteella työskennellessäsi aina suojalaseja.



Ota akku pois ennen kaikkia koneeseen tehtäviä toimenpiteitä.



Lisälaite - Ei sisälly vakiovarustukseen, saatavana lisätervikkeena.



Sähkölaitteita ei saa hävittää yhdessä kotitalousjätteiden kanssa. Sähkö- ja elektroniset laitteet tulee kerätä erikseen ja toimittaa kierrätysliikkeeseen ympäristöystävällistä hävittämistä varten. Pyydä paikallisilta viranomaisilta tai alan kauppiaalta tarkemmat tiedot kierrätyspisteistä ja keräyspaikoista.



Euroopan säännönmukaisuusmerkki



Britannian säännönmukaisuusmerkki



Ukrainan säännönmukaisuusmerkki



Euraasian säännönmukaisuusmerkki



ΤΕΧΝΙΚΑ ΣΤΟΙΧΕΙΑ Ψαλίδι λαμαρίνας με μπαταρία	M18 BMS12	M18 BMS20
Αριθμός παραγωγής	4776 43 02... ... 000001-999999	4776 44 02... ... 000001-999999
Τάση ανταλλακτικής μπαταρίας	18 V	18 V
Αριθμός στροφών χωρίς φορτίο	0 - 2500 min ⁻¹	0 - 2500 min ⁻¹
Μικρότερη ακτίνα τομής	180 mm	180 mm
Μέγιστη ισχύς κοπής	5,5 m/min	5,5 m/min
Χάλυβας 400 N/mm ²	1,2 mm	2,0 mm
600 N/mm ²	0,95 mm	1,6 mm
800 N/mm ²	0,8 mm	1,2 mm
Αλουμίνιο 250 N/mm ²	2,0 mm	3,2 mm
Βάρος σύμφωνα με τη διαδικασία EPTA 01/2014 (2,0 Ah)	2,3 kg	2,34 kg
Συνιστώμενη θερμοκρασία περιβάλλοντος για τη λειτουργία	-18°C ... +50°C	-18°C ... +50°C
Συνιστώμενη δέσμη συσσωρευτών	M18B...	M18B...
Συνιστώμενη συσκευή φόρτισης	M12-18...	M12-18...
Πληροφορίες θορύβου Τιμές μέτρησης εξακριβωμένες κατά EN 62841. Η σύμφωνα με την καμπύλη A εκτιμηθείσα στάθμη θορύβου του μηχανήματος αναφέρεται σε:		
Στάθμη ηχητικής πίεσης (Ανασφάλεια K=3dB(A))	78,2 dB (A)	78,2 dB (A)
Στάθμη ηχητικής ισχύος (Ανασφάλεια K=3dB(A))	89,2 dB (A)	89,2 dB (A)
Φοράτε προστασία ακοής (ωτασπίδες)!		
Πληροφορίες δονήσεων Υλικές τιμές κραδασμών (άθροισμα διανυσμάτων τριών διευθύνσεων) εξακριβώθηκαν σύμφωνα με τα πρότυπα EN 62841.		
Τιμή εκπομπής δονήσεων a _h	4,75 m/s ²	7,07 m/s ²
Ανασφάλεια K=	1,5 m/s ²	1,5 m/s ²



EL

ΠΡΕΙΔΟΠΟΙΗΣΗ

Το αναφερόμενο στο παρόν φυλλάδιο επίπεδο τιμών δόνησης και εκπομπής θορύβου έχει μετρηθεί σύμφωνα με μια τυπική μέθοδο δοκιμών κατά το πρότυπο EN 62841 και μπορεί να χρησιμοποιηθεί για τη σύγκριση εργαλείων μεταξύ τους. Μπορεί να χρησιμοποιηθεί για μια προκαταρκτική αξιολόγηση της έκθεσης.

Οι αναφερόμενες τιμές επιπέδων δόνησης και εκπομπής θορύβου αντιστοιχούν στις βασικές εφαρμογές του εργαλείου. Στην περίπτωση χρήσης του εργαλείου σε διαφορετικές εφαρμογές, με διαφορετικά εξαρτήματα ή ανεπαρκή συντήρηση, τα επίπεδα δόνησης και εκπομπών θορύβου ενδέχεται να διαφέρουν. Αυτό μπορεί να έχει ως συνέπεια μία σημαντική αύξηση των επιπέδων έκθεσης καθόλη τη διάρκεια εκτέλεσης των εργασιών.

Για μία εκτίμηση των επιπέδων έκθεσης σε δόνηση και θόρυβο πρέπει να συνυπολογίζονται οι χρόνοι απενεργοποίησης του εργαλείου ή αυτοί κατά τους οποίους παραμένει ενεργό χωρίς να εκτελείται κάποια εργασία. Αυτό μπορεί να μειώσει σημαντικά τα επίπεδα έκθεσης καθόλη τη διάρκεια εκτέλεσης των εργασιών.

Ορίστε πρόσθετα μέτρα προστασίας του χειριστή από την έκθεση στη δόνηση ή/και στον θόρυβο όπως: συντήρηση του εργαλείου και των παρελκόμενων εξαρτημάτων, διατήρηση θερμότητας των χεριών, οργάνωση μοτίβων εργασίας.

⚠ ΠΡΕΙΔΟΠΟΙΗΣΗ! Διαβάστε όλες τις Υποδείξεις ασφαλείας και τις Οδηγίες. Η μη τήρηση των οδηγιών που ακολουθούν, μπορεί να οδηγήσει σε ηλεκτροπληξία, φωτιά και/ή σε σοβαρούς τραυματισμούς.
Φυλάξτε όλες τις προειδοποιητικές υποδείξεις και οδηγίες για κάθε μελλοντική χρήση.

⚠ ΥΠΟΔΕΙΞΙΣ ΑΣΦΑΛΕΙΑΣ ΓΙΑ ΨΑΛΙΔΙΑ ΛΑΜΑΡΙΝΑΣ

Ακολουθείτε πάντα αυτές τις οδηγίες κατά την χρήση συσκευών, εξαρτημάτων, επιπρόσθετων εργαλείων κτλ. Λάβετε υπόψη την συνθήκες κάτω από τις οποίες θα διενεργήσετε τις εργασίες και

την εργασία καθαυτή. Η χρήση συσκευών για εργασίες εκτός των προβλεπόμενων μπορεί να οδηγήσουν σε επικίνδυνες καταστάσεις.

Στις εργασίες με τη μηχανή φοράτε πάντοτε προστατευτικά γυαλιά. Συνιστάνται τα προστατευτικά γάντια, τα σταθερά και αντιολισθητικά παπούτσια και η ποδιά.

Ασφαλίστε το προς κατεργασία κομμάτι στη μέγγενη ή με μια άλλη διάταξη στερέωσης. Μη ασφαλισμένα προς κατεργασία κομμάτια μπορεί να προκαλέσουν σοβαρούς τραυματισμούς και ζημιές.

Κατά την κοπή, κρατήστε το εργαλείο έτσι ώστε οι λεπίδες είναι σε σταθερή επαφή με το υλικό για την ταχύτερη κοπή. Εφαρμόστε σταθερή πίεση. Η υπερβολική πίεση θα τείνει να παγώσει το εργαλείο ή να προκαλέσει μια τραχιά περικόπηση.

Παρακαλώ προσέξτε ότι σε περίπτωση που πάψει να υφίσταται ο φόρτος ή μηχανή ανακτά αυτόματα τις στροφές που είχε στην αρχή. Μην αποβέθετε το ηλεκτρικό εργαλείο ποτέ, προτού το ανταλλακτικό εξάρτημα ακινητοποιηθεί πλήρως. Το ψαλίδι μπορεί να μαγκώσει και να οδηγήσει σε απώλεια ελέγχου της συσκευής.

Πριν από κάθε εργασία στη μηχανή αφαιρείτε την ανταλλακτική μπαταρία.

ΠΡΟΕΙΔΟΠΟΙΗΣΗ! Για να αποτρέπεται τον κίνδυνο πυρκαγιάς λόγω βραχυκυκλώματος, τραυματισμούς ή ζημιές του προϊόντος, να μη βυθίζετε το εργαλείο, τον ανταλλακτικό συσσωρευτή ή τη συσκευή φόρτισης σε υγρά και να φροντίζετε, ώστε να μη διεισδύουν υγρά στις συσκευές και τους συσσωρευτές. Διαβρωτικές ή αγώγιμες υγρές ουσίες, όπως αλατόνερο, ορισμένες χημικές ουσίες και λευκαντικά ή προϊόντα που περιέχουν λευκαντικά, μπορεί να προκαλέσουν βραχυκύκλωμα.

Φορτίζετε τις ανταλλακτικές μπαταρίες του συστήματος M18 μόνο με φορτιστές του συστήματος M18. Μη φορτίζετε μπαταρίες από άλλα συστήματα.

Μην ανοίγετε τις ανταλλακτικές μπαταρίες και τους φορτιστές και χρησιμοποιείτε για αποθήκευση μόνο στεγνούς χώρους.

Προστατεύετε τις ανταλλακτικές μπαταρίες και τους φορτιστές από την υγρασία.



ΜΠΑΤΑΡΙΕΣ

Επαναφορτίζετε τις ανταλλακτικές μπαταρίες που δεν έχουν χρησιμοποιηθεί για μεγαλύτερο χρονικό διάστημα πριν τη χρήση.

Μια θερμοκρασία πάνω από 50°C μειώνει την ισχύ της ανταλλακτικής μπαταρίας. Αποφύγετε τη θέρμανση για μεγαλύτερο χρονικό διάστημα από τον ήλιο ή τις συσκευές θέρμανσης.

Διατηρείτε τις επαφές σύνδεσης στο φορτιστή και στην ανταλλακτική μπαταρία καθαρές.

Για μια άριστη διάρκεια ζωής πρέπει μετά τη χρήση οι μπαταρίες να φορτιστούν πλήρως.

Για μια κατά το δυνατόν μεγάλη διάρκεια ζωής οι μπαταρίες μετά τη φόρτιση οφείλουν να αφαιρεθούν από το φορτιστή.

Για την αποθήκευση της μπαταρίας για διάστημα μεγαλύτερο των 30 ημερών: Αποθηκεύετε τη μπαταρία περ. στους 27°C σε στεγνό χώρο.; Αποθηκεύετε τη μπαταρία περ. στο 30%-50% της κατάστασης φόρτισης.; Κάθε 6 μήνες φορτίζετε εκ νέου τη μπαταρία.

Μην πετάτε τις μεταχειρισμένες ανταλλακτικές μπαταρίες στη φωτιά ή στα οικιακά απορρίμματα. Η Milwaukee προσφέρει μια απόσυρση των παλιών ανταλλακτικών μπαταριών σύμφωνα με τους κανόνες προστασίας του περιβάλλοντος, ρωτήστε παρακαλώ σχετικά στο ειδικό κατάστημα πώλησης.

Μην αποθηκεύετε τις ανταλλακτικές μπαταρίες μαζί με μεταλλικά αντικείμενα (κίνδυνος βραχυκυκλώματος).

Όταν υπάρχει υπερβολική καταπόνηση ή υψηλή θερμοκρασία μπορεί να τρέξει υγρό μπαταρίας από τις χαλασμένες επαναφορτιζόμενες μπαταρίες. Αν έρθετε σε επαφή με υγρό μπαταρίας να πλυθείτε αμέσως με νερό και σαπούνι. Σε περίπτωση επαφής με τα μάτια να πλυθείτε σχολαστικά για τουλάχιστον 10 λεπτά και να αναζητήσετε αμέσως ένα γιατρό.

Στη θήκη υποδοχής των ανταλλακτικών μπαταριών του φορτιστή δεν επιτρέπεται να φθάνουν μεταλλικά αντικείμενα (κίνδυνος βραχυκυκλώματος).

ΜΕΤΑΦΟΡΑ ΤΩΝ ΜΠΑΤΑΡΙΩΝ ΙΩΝΤΩΝ ΛΙΘΙΟΥ

Οι μπαταρίες ιόντων λιθίου υπόκεινται στις απαιτήσεις των νομικών διατάξεων για την μεταφορά επικινδύνων εμπορευμάτων.

Η μεταφορά τέτοιων μπαταριών πρέπει να πραγματοποιείται τηρώντας τους τοπικούς, εθνικούς και διεθνείς κανονισμούς και τις αντίστοιχες διατάξεις.

Επιτρέπεται η μεταφορά τέτοιων μπαταριών στο δρόμο χωρίς περαιτέρω απαιτήσεις.

Η εμπορική μεταφορά μπαταριών ιόντων λιθίου από εταιρείες μεταφορών υπόκειται στις απαιτήσεις των νομικών διατάξεων για την μεταφορά επικινδύνων εμπορευμάτων. Οι προετοιμασίες αποστολής και η μεταφορά πραγματοποιούνται αποκλειστικά από ειδικά εκπαιδευμένα πρόσωπα. Η συνολική διαδικασία συνοδεύεται από εξειδικευμένο προσωπικό.

Κατά τη μεταφορά μπαταριών ιόντων λιθίου πρέπει να προσέχετε τα εξής:

Φροντίστε τα σημεία επαφών να είναι προστατευμένα και μονωμένα ώστε να αποφευχθούν βραχυκυκλώματα. Προσέξτε το πακέτο μπαταριών να είναι σταθερό μέσα στη συσκευασία και να μη γλιστρά. Η μεταφορά μπαταριών που παρουσιάζουν φθορές ή διαρροές δεν επιτρέπεται. Για περισσότερες πληροφορίες απευθυνθείτε στην εταιρεία μεταφορών.

ΧΡΗΣΗ ΣΥΜΦΩΝΑ ΜΕ ΤΟ ΣΚΟΠΟ ΠΡΟΟΡΙΣΜΟΥ

Το ηλεκτρικό εργαλείο προορίζεται για την κοπή λαμαρινών χωρίς απώλειες γρεζιών. Είναι κατάλληλο και για καμπύλες και για ευθύγραμμες κοπές.

ΣΥΝΤΗΡΗΣΗ

Αφαιρείτε πάντα τη σκόνη και τη βρομιά από τη συσκευή. Διατηρείτε τη χειρολαβή καθαρή, στεγνή και χωρίς λάδια και γράσα. Προϊόντα καθαρισμού και διαλύτες βλάπτουν τα συνθετικά υλικά και άλλα μονωτικά εξαρτήματα, για το λόγο αυτό καθαρίζετε τη συσκευή με ήπιο σαπούνι και ένα υγρό πανί. Ποτέ μη χρησιμοποιείτε εύφλεκτους διαλύτες κοντά στη συσκευή.

Διατηρείτε πάντοτε τις οχισμές εξαερισμού της μηχανής καθαρές.

Χρησιμοποιείτε μόνο αξεσουάρ Milwaukee και ανταλλακτικά Milwaukee. Εξαρτήματα, που η αλλαγή τους δεν περιγράφεται, αντικαθίστανται σε μια τεχνική υποστήριξη της Milwaukee (βλέπε φυλλάδιο εγγύηση/ διευθύνσεις τεχνικής υποστήριξης).

Όταν χρειάζεται, μπορείτε να ζητήσετε ένα σχέδιο συναρμολόγησης της συσκευής, δίνοντας τον τύπο της μηχανής και αριθμό στην πινακίδα ισχύος, από το κέντρο σέρβις ή απευθείας από τη φίρμα Techtronic Industries GmbH, Max-Eyth-Strasse 10, 71364 Winnenden, Germany.

ΔΗΛΩΣΗ ΠΙΣΤΟΤΗΤΑΣ ΕΚ

Δηλώνουμε με αποκλειστική μας ευθύνη, ότι το προϊόν που περιγράφεται στα «Τεχνικά Χαρακτηριστικά» συμμορφώνεται με όλες τις σχετικές διατάξεις των οδηγιών

2011/65/ΕΕ (RoHS)

2006/42/ΕΚ

2014/30/ΕΕ

και έχουν εφαρμοστεί τα ακόλουθα εναρμονισμένα πρότυπα 0

EN 62841-1:2015

EN 62841-2-8:2016

EN 55014-1:2017+A11:2020

EN 55014-2:2015

EN IEC 63000:2018



Winnenden, 2020-11-20

Alexander Krug / Managing Director
Εξουσιοδοτημένος να συντάξει τον τεχνικό φάκελο.

Techtronic Industries GmbH

Max-Eyth-Strasse 10, 71364 Winnenden, Germany



ΣΥΜΒΟΛΑ



ΠΡΟΣΟΧΗ! ΠΡΟΕΙΔΟΠΟΙΗΣΗ! ΚΙΝΔΥΝΟΣ!



Παρακαλώ διαβάστε σχολαστικά τις οδηγίες χρήσης πριν από την έναρξη λειτουργίας.



Να φοράτε προστατευτικά γάντια!



Στις εργασίες με τη μηχανή φοράτε πάντοτε προστατευτικά γυαλιά.



Πριν από κάθε εργασία στη μηχανή αφαιρείτε την ανταλλακτική μπαταρία.



Εξαρτήματα - Δεν περιλαμβάνονται στα υλικά παράδοσης, συνιστούμενη προσθήκη από το πρόγραμμα εξαρτημάτων.



Ηλεκτρικά μηχανήματα δεν επιτρέπεται να απορρίπτονται μαζί με τα οικιακά απορρίμματα. Ηλεκτρικά και ηλεκτρονικά μηχανήματα συλλέγονται ξεχωριστά και παραδίδονται προς ανακύκλωση με τρόπο φιλικό προς το περιβάλλον σε επιχείρηση επεξεργασίας απορριμμάτων. Ενημερωθείτε από τις τοπικές υπηρεσίες ή από ειδικευμένους εμπόρους σχετικά με κέντρα ανακύκλωσης και συλλογής απορριμμάτων.



Ευρωπαϊκό σήμα πιστότητας



Βρετανικό σήμα πιστότητας



Ουκρανικό σήμα πιστότητας



Ευρασιατικό σήμα πιστότητας

TEKNİK VERİLER Akülü sac makası	M18 BMS12	M18 BMS20
Üretim numarası	4776 43 02... ... 000001-999999	4776 44 02... ... 000001-999999
Kartuş akü gerilimi	18 V	18 V
Boştaki devir sayısı	0 - 2500 min ⁻¹	0 - 2500 min ⁻¹
En küçük kavis yarıçapı	180 mm	180 mm
Maksimum kesim performansı	5,5 m/min	5,5 m/min
Çelikte 400 N/mm ² 600 N/mm ² 800 N/mm ²	1,2 mm 0,95 mm 0,8 mm	2,0 mm 1,6 mm 1,2 mm
Alüminyum 250 N/mm ²	2,0 mm	3,2 mm
Ağırlığı ise EPTA-üretici 01/2014'e göre (2,0 Ah)	2,3 kg	2,34 kg
Çalıştırılması için tavsiye edilen ortam sıcaklığı Tavsiye edilen güç paketleri Tavsiye edilen şarj aletleri	-18°C ... +50°C M18B... M12-18...	-18°C ... +50°C M18B... M12-18...
Gürültü bilgileri Ölçüm değerleri EN 62841 e göre belirlenmektedir. Aletin, frekansa bağımlı uluslararası ses basıncı seviyesi değerlendirme eğrisi A'ya göre tipik gürültü seviyesi: Ses basıncı seviyesi (Tolerans K=3dB(A)) Akustik kapasite seviyesi (Tolerans K=3dB(A))	78,2 dB (A) 89,2 dB (A)	78,2 dB (A) 89,2 dB (A)
Koruyucu kulaklık kullanın!		
Vibrasyon bilgileri Toplam titreşim değeri (üç yönün vektör toplamı) EN 62841'e göre belirlenmektedir: titreşim emisyon değeri a _h Tolerans K=	4,75 m/s ² 1,5 m/s ²	7,07 m/s ² 1,5 m/s ²



Tür

UYARI

Bu bilgi formunda belirtilen titreşim ve gürültü düzeyi EN 62841 uyarınca standart bir test yöntemine göre ölçülmüş olup, bir aleti diğeriyle karşılaştırmak için kullanılabilir. Bir maruz kalma ön değerlendirmesi için de kullanılabilir.

Beyan edilmiş titreşim ve gürültü emisyon değeri aletin ana uygulamaları temsil eder. Ancak, alet farklı uygulamalar için veya farklı aksesuarlarla kullanılır ya da aletin bakımı yetersiz yapılırsa, titreşim ve gürültü emisyonu farklılık gösterebilir. Bu, toplam çalışma süresi boyunca maruz kalma seviyesini önemli ölçüde artırabilir.

Titreşim ve gürültüye maruz kalma seviyesi tahmininde, aletin kapalı olduğu veya çalıştığı, ancak aslında işini yapmadığı süreler de göz önünde bulundurulmalıdır. Bu, toplam çalışma süresi boyunca maruz kalma seviyesini önemli ölçüde azaltabilir.

Operatörü titreşim ve/veya gürültünün etkilerinden korumak için, aletin ve aksesuarların bakımını yapmak, elleri sıcak tutmak ve çalışma biçimlerini düzenlemek gibi ilave güvenlik önlemleri belirleyin.

⚠ UYARI! Güvenlikle ilgili bütün açıklamaları. Aşağıdaki talimat hükümlerine uymadığınız takdirde elektrik çarpması, yangın veya ağır yaralanma tehlikesi ile karşılaşabilirsiniz.
Bütün uyarıları ve talimat hükümlerini ileride kullanmak üzere saklayın.

⚠ SAC MAKASLARI İÇİN GÜVENLİK TALİMATLARI

Cihazı, aksesuarı, operasyon aletlerini vs. bu talimatlara uygun olarak kullanınız. Bu bağlamda çalışma koşullarını ve yapılması gereken faaliyeti dikkate alınız. Cihazların öngörülen kullanımlardan farklı amaçlar için kullanımı tehlikeli durumlara yol açabilir.

Alete çalışırken daima koruyucu gözlük kullanın. Koruyucu iş eldivenleri, sağlam ve kaymaz ayakkabılar ve iş önlüğü kullanmanızı tavsiye ederiz.

İşlenen parçayı bir germe tertibatıyla emniyete alın. Emniyete alınmayan iş parçaları ağır yaralanmalar ve hasarlara neden olabilir. Keserken bıçakları hızlı kesme malzeme ile sıkı bir temas halinde olduğu, böylece aracı tutun. Hatta basıncı uygulayın. Çok fazla baskı aracı reçel ya da kaba bir kesim neden eğiliminde olacaktır.

Makinenin fazla yükten kurtulması halinde makinenin asıl devir sayısına ulaşacağını lütfen dikkate alınız. Takım tamlanması veya durmadan elektrikli cihazı asla yere koymayınız. Operasyon aleti takılabilir ve cihaz üzerindeki kontrolün kaybedilmesine yol açabilir.

Aletin kendinde bir çalışma yapmadan önce kartuş aküyü çıkarın.

UYARI! Bir kısa devreden kaynaklanan yangın, yaralanma veya ürün hasarları tehlikesini önlemek için aleti, güç paketini veya şarj cihazını asla sıvıların içine daldırmayınız ve cihazların ve pillerin içine sıvı girmesini önleyiniz. Tuzlu su, belirli kimyasallar, ağartıcı madde veya

Türkçe

ağartıcı madde içeren ürünler gibi korozif veya iletken sıvılar kısa devreye neden olabilir.

M18 sistemli kartuş aküleri sadece M18 sistemli şarj cihazları ile şarj edin. Başka sistemli aküleri şarj etmeyin.

Kartuş aküleri ve şarj cihazını açmayın ve sadece kuru yerlerde saklayın. Neme ve ıslanmaya karşı koruyun.

AKÜ

Uzun süre kullanım dışı kalmış kartuş aküleri kullanmadan önce şarj edin.

50°C üzerindeki sıcaklıklar kartuş akünün performansını düşürür. Akünün güneş ışığı veya mekân sıcaklığı altında uzun süre ısınmamasına dikkat edin.

Şarj cihazı ve kartuş aküdeki bağlantı kontaklarını temiz tutun.

Akünün ömrünün mükemmel bir şekilde uzun olması için kullandıktan sonra tamamen doldurulması gerekir.

Ömrünün mümkün olduğu kadar uzun olması için akülerin yüklemeye yapıldıktan sonra doldurma cihazından uzaklaştırılması gerekir.

Akünün 30 günden daha fazla depolanması halinde: Aküyü takriben 27°C'de kuru olarak depolayın.; Aküyü yüklemeye durumunun takriben % 30 - %50 olarak depolayın.; Aküyü her 6 ay yeniden doldurun.

Kullanılmış kartuş aküleri ateşe veya ev çöplerine atmayın. Milwaukee, kartuş akülerin çevreye zarar vermeyecek biçimde tasfiye edilmesine olanak sağlayan hizmet sunar; lütfen bu konuda yetkili satıcınızdan bilgi alın.

Kartuş aküleri metal parça veya eşyalarla birlikte saklamayın (kısa devre tehlikesi).

Aşırı zorlanma veya aşırı ısınma sonucu hasar gören kartuş akülerden batarya sıvısı dışarı akabilir. Batarya sıvısı ile temasa gelen yeri hemen bol su ve sabunla yıkayın. Batarya sıvısı gözünüze kaçacak olursa en azından 10 dakika yıkayın ve zaman geçirmeden bir hekime başvurun.

Şarj cihazının kartuş akü yuvasına hiçbir şekilde metal parçalar kaçmamalıdır (kısa devre tehlikesi).

LİTYUM İYON PİLLERİN TAŞINMASI

Lityum iyon piller tehlikeli madde taşımaçılığı hakkındaki yasal hükümler tabidir.

Bu piller, bölgesel, ulusal ve uluslararası yönetmeliklere ve hükümlere uyularak taşınmak zorundadır.

Tüketiciler bu pilleri herhangi bir özel şart aranmaksızın karayoluyla taşıyabilirler.

Lityum iyon pillerin nakliye şirketleri tarafından ticari taşımaçılığı için tehlikeli madde taşımaçılığının hükümleri geçerlidir. Sevki hazırlığı ve taşıma sadece ilgili eğitimi görmüş personel tarafından gerçekleştirilebilir. Bütün süreç uzmanca bir refakatçilik altında gerçekleştirilmek zorundadır.

Pillerin taşınması sırasında aşağıdaki hususlara dikkat edilmesi gerekmektedir:

Kısa devre oluşmasını önlemek için kontakların korunmuş ve izole edilmiş olmasını sağlayınız. Pil paketinin ambalajı içinde kaymamasına dikkat ediniz. Hasarlı veya akmış pillerin taşınması yasaktır. Ayrıca bilgiler için nakliye şirketinize başvurunuz.

KULLANIM

Bu elektrikli el aleti saçların talaş kaybı olmadan kesilmesi için geliştirilmiştir. Bu alet kavisli ve düz kesme işlerine uygundur.

BAKIM

Cihazı her zaman toz ve kirlerden temizleyin. Tutacak kolunu temiz, kuru, sıvı ve katı yağlardan arındırmış bir şekilde muhafaza edin. Temizlik ve eriyik maddeleri, plastik maddeler ve diğer izole parçaları için zararlıdır, bu nedenle sadece yumuşak bir sabun ve nemli bez ile cihazı temizleyin. Cihazın yakınında hiçbir zaman yanıcı eriyik maddeleri bulundurmayın.

Aletin havalandırma aralıklarını daima temiz tutun.

Sadece Milwaukee aksesuarı ve yedek parçası kullanın. Nasıl değiştirileceği açıklanmamış olan yapı parçalarını bir Milwaukee müşteri servisinde değiştirin (Garanti ve servis adresi broşürüne dikkat edin).

Gerektiği takdirde aletin dağınık görünüş şeması, alet tipinin ve tip etiketi üzerindeki sayının bildirilmesi koşuluyla müşteri servisinden veya doğrudan Techtronic Industries GmbH, Max-Eyth-Straße 10, 71364 Winnenden, Germany adresinden istenebilir.

CE UYGUNLUK BEYANI

"Teknik veriler" başlığı altında tanımlanan ürünün, sayılı direktiflerdeki tüm hükümleri

2011/65/EU (RoHS)

2006/42/EC

2014/30/EU

uyumlaştırılmış standartları 0

EN 62841-1:2015

EN 62841-2-8:2016

EN 55014-1:2017+A11:2020

EN 55014-2:2015

EN IEC 63000:2018



Winnenden, 2020-11-20

Alexander Krug / Managing Director

Teknik evrakları hazırlamakla görevlendirilmiştir.

Techtronic Industries GmbH

Max-Eyth-Straße 10, 71364 Winnenden, Germany



SEMBOLLER



DİKKAT! UYARI! TEHLİKE!



Lütfen aleti çalıştırmadan önce kullanma kılavuzunu dikkatli biçimde okuyun.



Koruyucu eldivenlerinizi takınız!



Aletle çalışırken daima koruyucu gözlük kullanın.



Aletin kendinde bir çalışma yapmadan önce kartuş aküyü çıkarın.



Aksesuar - Teslimat kapsamında değildir, önerilen tamam-
lamalar aksesuar programında.



Elektrikli cihazların evsel atıklarla birlikte bertaraf edilmesi yasaktır. Elektrikli ve elektronik cihazlar ayrılarak biriktirilmeli ve çevreye zarar vermeden bertaraf edilmeleri için bir atık değerlendirme tesisine götürülmelidirler. Yerel makamlara veya satıcınıza geri dönüşüm tesisleri ve atık toplama merkezlerinin yerlerini danışınız.



Avrupa uyumluluk işareti



Britanya uyumluluk işareti



Ukrayna uyumluluk işareti



Avrasya uyumluluk işareti



Tür

TECHNICKÁ DATA Akumulátorové nůžky na plech		M18 BMS12	M18 BMS20
Výrobní číslo		4776 43 02... ... 000001-999999	4776 44 02... ... 000001-999999
Napětí výměnného akumulátoru		18 V	18 V
Volnoběžné otáčky		0 - 2500 min ⁻¹	0 - 2500 min ⁻¹
Minimální šířka		180 mm	180 mm
Max. střížný výkon		5,5 m/min	5,5 m/min
Ocel 400 N/mm ²		1,2 mm	2,0 mm
600 N/mm ²		0,95 mm	1,6 mm
800 N/mm ²		0,8 mm	1,2 mm
Hliník 250 N/mm ²		2,0 mm	3,2 mm
Hmotnost podle prováděcího předpisu EPTA 01/2014 (2,0 Ah)		2,3 kg	2,34 kg
Doporučená teplota okolí pro provoz		-18°C ... +50°C	-18°C ... +50°C
Doporučené akupaky		M18B...	M18B...
Doporučené nabíječky		M12-18...	M12-18...
Informace o hluku			
Naměřené hodnoty odpovídají EN 62841. V třídě A posuzovaná hladina hluku přístroje činí typicky:			
Hladina akustického tlaku (Kolísavost K=3dB(A))		78,2 dB (A)	78,2 dB (A)
Hladina akustického výkonu (Kolísavost K=3dB(A))		89,2 dB (A)	89,2 dB (A)
Používejte chrániče sluchu !			
Informace o vibracích			
Celkové hodnoty vibrací (vektorový součet tří směrů) zjištěné ve smyslu EN 62841.			
Hodnota vibračních emisí a _h		4,75 m/s ²	7,07 m/s ²
Kolísavost K=		1,5 m/s ²	1,5 m/s ²



VAROVÁNÍ

Hladina vibrací a emisí hluku uvedená v tomto informačním listu byla měřena v souladu se standardizovanou zkouškou uvedenou v normě EN 62841 a může být použita ke srovnání jednoho nástroje s jiným. Může být použita k předběžnému posouzení expozice.

Deklarovaná úroveň vibrací a emisí hluku představuje hlavní použití nástroje. Pokud se však nástroj používá pro různé aplikace, s různým příslušenstvím nebo s nedostatečnou údržbou, mohou se vibrace a emise hluku lišit. To může výrazně zvýšit úroveň expozice v průběhu celé pracovní doby.

Odhad úrovně expozice vibracím a hluku by měl také vzít v úvahu dobu, kdy je nástroj vypnutý nebo když běží, ale ve skutečnosti neprovádí úlohu. To může výrazně snížit úroveň expozice v průběhu celé pracovní doby.

Identifikujte dodatečná bezpečnostní opatření k ochraně pracovníka obsluhy před účinky vibrací a/nebo hluku, například: údržba nástroje a příslušenství, udržování rukou v teple, organizace pracovních schémat.

VAROVÁNÍ! Seznamte se se všemi bezpečnostními pokyny a sice i s pokyny. Pokud následující pokyny nedodržíte, může to vést k úderu elektrickým proudem, požáru nebo těžkým poraněním.
Všechna varovná upozornění a pokyny do budoucna uschovejte.

BEZPEČNOSTNÍ POKYNY PRO NŮŽKY NA PLECH

Přístroj, příslušenství, nasazované nástroje, atd. používejte podle těchto pokynů. Zohledněte přitom pracovní podmínky a činnost, která má být provedena. Použití přístrojů k jiným než stanoveným účelům může vést k nebezpečným situacím.

Při práci se strojem neustále nosit ochranné brýle. Doporučuje se používat ochranné rukavice, pevnou protiskluzovou obuv a zástěru. Obrobek zabezpečte upínacím zařízením. Nezabezpečené obrobky mohou způsobit těžká poranění a poškození.

Při řezání, držte nástroj tak, aby se nože jsou v pevném kontaktu s materiálem pro nejrychlejší řezání. Použít i tlak. Příliš velký tlak bude mít tendenci se zablokovat nástroje, nebo způsobit hrubý stříh.

Věnujte prosím pozornost tomu, že se vrtačka při snížení zatížení na normální hodnotu opět zapne a najede na původní počet pracovních otáček. Elektrické nářadí nesmíte nikdy odložit dříve, než se vložený nástroj zcela zastaví. Nasazený nástroj se může zaseknout a vést ke ztrátě kontroly nad přístrojem.

Před zahájením veškerých prací na vrtacím šroubováku vyjmout výměnný akumulátor.

VAROVÁNÍ! Abyste zabránili nebezpečí požáru způsobeného zkratem, poraněním nebo poškozením výrobku, neponořujte nářadí, výměnnou baterii nebo nabíječku do kapalín a zajistěte, aby do zařízení a akumulátorů nevnikly žádné tekutiny. Korodující nebo vodivě kapaliny, jako je slaná voda, určité chemikálie a bělicí prostředky nebo výrobky, které obsahují bělidlo, mohou způsobit zkrat.

Akumulátor systému M18 nabíjejte pouze nabíječkou systému M18. Nenabíjejte akumulátory jiných systémů.

Náhradní akumulátory ani nabíječku neotvírejte, skladujte je v suchu, chráňte před vlhkem.

AKUMULÁTORY

Děle nepoužívané akumulátory je nutné před použitím znovu nabít.

Teplota přes 50°C snižuje výkon akumulátoru. Chraňte před dlouhým přehříváním na slunci či u topení.

Kontakty nabíječky a akumulátoru udržujte v čistotě.

Pro optimální životnost je nutné akumulátory po použití plně dobit.

K zabezpečení dlouhé životnosti by se akumulátory měly po nabití vyjmout z nabíječky.

Při skladování akumulátoru po dobu delší než 30 dní: Skladujte akumulátor v suchu při cca 27°C; Skladujte akumulátor při cca 30%-50% nabíjecí kapacitě; Opakujte nabíjení akumulátoru každých 6 měsíců.

Použité nevyhazujte do domovního odpadu nebo do ohně. Milwaukee nabízí ekologickou likvidaci starých článků, ptejte se u vašeho obchodníka s nářadím.

Náhradní akumulátor neskladujte s kovovými předměty, nebezpečí zkratů.

Při extrémní zátěži či vysoké teplotě může z akumulátoru vytékat kapalina. Při zasažení touto kapalinou okamžitě zasažená místa omyjte vodou a mýdlem. Při zasažení očí okamžitě důkladně po dobu alespoň 10min. omývat a neodkladně vyhledat lékaře.

V nabíjecím postu nabíječky neskladujte kovové předměty, nebezpečí zkratů.

PŘEPRAVA LITHIUM-IONTOVÝCH BATERIÍ

Lithium-iontové baterie spadají podle zákonných ustanovení pod přepravu nebezpečného nákladu.

Přeprava těchto baterií se musí realizovat s dodržováním lokálních, nitrostátních a mezinárodních předpisů a ustanovení.

Spotřebitelé mohou tyto baterie bez problémů přepravovat po komunikacích.

Komerční přeprava lithium-iontových baterií prostřednictvím přepravních firem podléhá ustanovením o přepravě nebezpečného nákladu. Přípravu k vyexpedování a samotnou přepravu směji vykonávat jen příslušně vyškolené osoby. Na celý proces se musí odborně dohlížet.

Při přepravě baterií je třeba dodržovat následující:

Zajistěte, aby kontakty byly chráněné a izolované, aby se zamezilo zkratům. Dávejte pozor na to, aby se svazek baterií v rámci balení nemohl sesmeknout. Poškozené a vyteklé baterie se nesmějí přepravovat. Ohledně dalších informací se obraťte na vaši přepravní firmu.

OBLAST VYUŽITÍ

Elektronářadí je určeno k dělení plechů bez ztráty třísky. Je vhodné pro obloukování a primé stříhy.

ÚDRŽBA

Průběžně stírejte z přístroje prach a nečistoty. Rukojeť udržujte v čistotě, suchou a bez olejových nebo tukových skvrn. Čistící přípravky a rozpouštědla škodí umělým hmotám a jiným izolovaným dílům, proto čistěte přístroj pouze jemným mýdlem a vlhkým hadrem. Nikdy nepoužívejte hořlavá rozpouštědla v blízkosti přístroje.

Větrací šterbiny nářadí udržujeme stále čisté.

Používat výhradně příslušenství Milwaukee a náhradní díly Milwaukee. Díly jejichž výměny nebyla popsána, nechte vyměnit u autorizovaném servisu (viz „Záruky / Seznam servisních míst“)

Při potřebě podrobného rozkresu konstrukce, oslovte informaci o typu a čísle přímo servis a nebo výrobce, Techtronic Industries GmbH, Max-Eyth-Straße 10, 71364 Winnenden, Germany.

CE-PROHLÁŠENÍ O SHODĚ

Prohlašujeme na naši výhradní odpovědnost, že produkt popsán v části „Technické údaje“ splňuje všechna příslušná ustanovení směrnice 2011/65/EU (RoHS)

2006/42/ES

2014/30/EU

a byly použity následující harmonizované normy 0

EN 62841-1:2015

EN 62841-2-8:2016

EN 55014-1:2017+A11:2020

EN 55014-2:2015

EN IEC 63000:2018



Winnenden, 2020-11-20

Alexander Krug / Managing Director
Zplnomocněn k sestavování technických podkladů.
Techtronic Industries GmbH
Max-Eyth-Straße 10, 71364 Winnenden, Germany

SYMBOLY



POZOR! VAROVÁNÍ! NEBEZPEČÍ!



Před spuštěním stroje si pečlivě přečtěte návod k používání.



Používejte ochranné rukavice!



Při práci se strojem neustále nosit ochranné brýle.



Před zahájením veškerých prací na vrtacím šroubováku vyjmout výměnný akumulátor.



Příslušenství není součástí dodávky, viz program příslušenství.



Elektrické přístroje se nesmí likvidovat společně s odpadem z domácnosti. Elektrické a elektronické přístroje je třeba sbírat odděleně a odevzdat je v recyklačním podniku na ekologickou likvidaci. Na místních úřadech nebo u vašeho specializovaného prodejce se informujte na recyklační podniky a sběrné dvory.



Značka shody v Evropě



Značka shody v Británii



Značka shody na Ukrajině



Značka shody pro oblast Eurasie



TECHNICKÉ ÚDAJE Akumulátorové nožnice na plech		M18 BMS12	M18 BMS20
Výrobné číslo		4776 43 02... ... 000001-999999	4776 44 02... ... 000001-999999
Napätie výmenného akumulátora		18 V	18 V
Otáčky naprázdno		0 - 2500 min ⁻¹	0 - 2500 min ⁻¹
Min. polomer výrezu		180 mm	180 mm
Max. strihový výkon		5,5 m/min	5,5 m/min
Oceľ 400 N/mm ²		1,2 mm	2,0 mm
600 N/mm ²		0,95 mm	1,6 mm
800 N/mm ²		0,8 mm	1,2 mm
Hliník 250 N/mm ²		2,0 mm	3,2 mm
Hmotnosť podľa vykonávacieho predpisu EPTA 01/2014 (2,0 Ah)		2,3 kg	2,34 kg
Odporúčaná teplota okolia pre prevádzku		-18°C ... +50°C	-18°C ... +50°C
Odporúčané akupaky		M18B...	M18B...
Odporúčané nabíjačky		M12-18...	M12-18...
Informácia o hluku Namerané hodnoty určené v súlade s EN 62841. V triede A posudzovaná hladina hluku prístroja činí typicky:			
Hladina akustického tlaku (Kolísavosť K=3dB(A))		78,2 dB (A)	78,2 dB (A)
Hladina akustického výkonu (Kolísavosť K=3dB(A))		89,2 dB (A)	89,2 dB (A)
Používajte ochranu sluchu!			
Informácie o vibráciách Celkové hodnoty vibrácií (vektorový súčet troch smerov) zistených zmysle EN 62841.			
Hodnota vibračných emisií a _v		4,75 m/s ²	7,07 m/s ²
Kolísavosť K=		1,5 m/s ²	1,5 m/s ²



Slov

POZOR

Úroveň vibrácií a emisií hluku uvedená v tomto informačnom liste bola meraná v súlade so štandardizovanou skúškou uvedenou v EN 62841 a môže sa použiť na porovnanie jedného nástroja s druhým. Môže sa použiť v predbežnom posúdení expozície.

Deklarovaná úroveň vibrácií a emisií hluku predstavuje hlavné aplikácie nástroja. Ak sa však nástroj používa pre rôzne aplikácie, s rôznym príslušenstvom alebo s nedostatočnou údržbou, môžu sa vibrácie a emisie hluku líšiť. To môže výrazne zvýšiť úroveň expozície počas celej pracovnej doby.

Odhad úrovne expozície vibráciám a hluku by mal tiež brať do úvahy časy, keď je nástroj vypnutý alebo keď beží, ale v skutočnosti nevykonáva prácu. To môže výrazne znížiť úroveň expozície počas celej pracovnej doby.

Identifikujte dodatočné bezpečnostné opatrenia na ochranu pracovníka obsluhu pred účinkami vibrácií a/alebo hluku, ako je: údržba nástroja a príslušenstva, udržanie teplých rúk, organizácia pracovných schém.

⚠ POZOR! Zoznámte sa so všetkými bezpečnostnými pokynmi. Ak by ste nedodržali nasledujúce pokyny, mohlo by to mať za následok zásah elektrickým prúdom, vznik požiaru a/alebo vážne poranenie.

Tieto Výstražné upozornenia a bezpečnostné pokyny starostlivo uschovajte na budúce použitie.

⚠ BEZPEČNOSTNÉ POKYNY PRE NOŽNICE NA PLECH

Prístroj, príslušenstvo, nasadzované nástroje, atď. používajte podľa týchto pokynov. Zohľadnite pri tom pracovné podmienky a činnosť, ktorá má byť zrealizovaná. Použitie prístrojov na iné ako stanovené účely môže viesť k nebezpečným situáciám.

Pri práci so strojom vždy noste ochranné okuliare. Odporúčame ochranné rukavice, pevnú protišmykovú obuv a zásteru.

Obrobok zabezpečte upínacím zariadením. Nezabezpečené obrobky môžu spôsobiť ťažké poranenia a poškodenia.

Pri rezaní, držte nástroj tak, aby sa nože sú v pevnom kontakte s materiálom pre najrýchlejšie rezanie. Použiť aj tlak. Príliš veľký tlak bude mať tendenciu sa zablokovať nástroje, alebo spôsobiť hrubý strih.

Venujte prosím pozornosť tomu, že sa vrtáčka pri znížení zaťaženia na normálnu hodnotu opäť zapne a nabehne na pôvodný počet pracovných otáčok. Elektrické náradie nikdy neodkladajte skôr, ako sa pracovný nástroj úplne zastaví. Nasadený nástroj sa môže zaseknúť a viesť k strate kontroly nad prístrojom.

Pred každou prácou na stroji výmenný akumulátor vytiahnuť.

POZOR! Aby ste zabránili nebezpečenstvu požiaru spôsobeného skratom, poraneniam alebo poškodeniam výrobku, neponárajte náradie, výmennú batériu alebo nabíjačku do kvapalín a postarajte sa o to, aby do zariadení a akumulátorov nevnikli žiadne tekutiny. Korodujúce

Slovensky

alebo vodivé kvapaliny, ako je slaná voda, určité chemikálie a bieliace prostriedky alebo výrobky, ktoré obsahujú bieliadlo, môžu spôsobiť skrat.

Výmenné akumulátory systému M18 nabíjaj len nabíjacími zariadeniami systému M18. Akumulátory iných systémov týmito zariadením nenabíjaj.

Výmenné akumulátory a nabíjacie zariadenia neotvárajte a skladovajte len v suchých priestoroch. Chránite pred vlhkosťou.

AKUMULÁTORY

Dlhší čas nepoužívanie výmenné akumulátory pred použitím dobití.

Teplota vyššia ako 50°C znižuje výkon výmenného akumulátora.

Zabráňte dlhšiemu ohriatiu sínkom alebo kúrením.

Pripájacie kontakty na nabíjacími zariadení a výmennom akumulátore udržiavať čisté.

Pre optimálnu životnosť je nutné akumulátory po použití plne dobití.

K zabezpečeniu dlhej životnosti by sa akumulátory mali po nabití vybrať z nabíjačky.

Pri skladovaní akumulátora po dobu dlhšiu než 30 dní: Skladujte akumulátor v suchu pri cca 27°C.; Skladujte akumulátor pri cca 30%-50% nabíjacej kapacity; Opakujte nabíjanie akumulátora každých 6 mesiacov.

Opotrebované výmenné akumulátory nezahadzujte do ohňa alebo medzi domový odpad. Milwaukee ponúka likvidáciu starých výmenných akumulátorov, ktorá je v súlade s ochranou životného prostredia; informujte sa u Vášho predajcu.

Výmenné akumulátory neskladovať spolu s kovovými predmetmi (nebezpečenstvo skratu).

Pri extrémnych záťažach alebo extrémnych teplotách môže dôjsť k vytekaniu batérovej tekutiny z poškodeného výmenného akumulátora. Ak dôjde ku kontaktu pokožky s roztokom, postihnuté miesto umyť vodou a mydlom. Ak sa roztok dostane do očí, okamžite ich dôkladne vypláchnuť po dobu min. 10 min a bezodkladne vyhľadať lekára.

Do zasúvacieho otvoru pre výmenné akumulátory na nabíjacími zariadení, sa nesmú dostať žiadne kovové predmety (nebezpečenstvo skratu).

PREPRAVA LÍTIOVO-IÓNOVÝCH BATÉRIÍ

Lítiovo-iónové batérie podľa zákonných ustanovení spadajú pod prepravu nebezpečného nákladu.

Preprava týchto batérií sa musí realizovať s dodržiavaním lokálnych, vnútroštátnych a medzinárodných predpisov a ustanovení.

Spotrebiteľia môžu tieto batérie bez problémov prepravovať po cestách.

Komerčná preprava lítiovo-iónových batérií prostredníctvom špedičných firiem podlieha ustanoveniam o preprave nebezpečného nákladu. Prípravu k vyexpedovaniu a samotnú prepravu smú vykonávať iba adekvátne vyškolené osoby. Na celý proces sa musí odborné dohliadať.

Pri preprave batérií treba dodržiavať nasledovné:

Zabezpečte, aby boli kontakty chránené a izolované, aby sa zamedzilo skratom. Dávajte pozor na to, aby sa zväzok batérií v rámci balenia nemohol zošmyknúť. Poškodené a vytečené batérie sa nesmú prepravovať. Kvôli ďalším informáciám sa obráťte na vašu špedičnú firmu.

POUŽITIE PODĽA PREDPISOV

Toto ručné elektrické náradie je vhodné na rezanie plechov bez vytvárania triesky. Je vhodné na vykonávanie zakrivených a rovných rezov.

ÚDRZBA

Priebežne stierajte z prístroja prach a nečistoty. Rukoväť udržiavajte v čistote, suchú a bez olejových alebo tukových škvr. Čistiace prípravky a rozpúšťadlá škodia umelým hmotám a iným izolovaným dielom, preto čistite prístroj len jemným mydlom a vlhkou handrou. Nikdy nepoužívajte horľavé rozpúšťadlá v blízkosti prístroja.

Vetracie otvory udržiavať stále v čistote.

Používať len Milwaukee príslušenstvo a Milwaukee náhradné diely. Súčiastky bez návodu na výmenu treba dať vymeniť v jednom z Milwaukee zákaznických centier (viď brožúru Záruka/Adresy zákaznických centier).

Pri udaní typu stroja a čísla nachádzajúceho sa na štítku dá sa v prípade potreby vyžiadať explozívna schéma prístroja od vášho zákaznického centra alebo priamo v Techtronic Industries GmbH, Max-Eyth-Straße 10, 71364 Winnenden, Germany.

CE - VYHLÁSENIE KONFORMITY

Na našu výhradnú zodpovednosť vyhlasujeme, že produkt popísaný v časti „Technické údaje“ spĺňa všetky príslušné ustanovenia smerníc 2011/65/EÚ (RoHS)

2006/42/ES

2014/30/EÚ

a boli použité nasledovné harmonizované normy 0

EN 62841-1:2015

EN 62841-2-8:2016

EN 55014-1:2017+A11:2020

EN 55014-2:2015

EN IEC 63000:2018



Winnenden, 2020-11-20

Alexander Krug / Managing Director
Splnomocnený zostaviť technické podklady.

Techtronic Industries GmbH

Max-Eyth-Straße 10, 71364 Winnenden, Germany



Slov

SYMBOLY



POZOR! NEBEZPEČENSTVO!



Pred prvým použitím prístroja si pozorne prečítajte návod na obsluhu.



Používajte ochranné rukavice!



Pri práci so strojom vždy noste ochranné okuliare.



Pred každou prácou na stroji výmenný akumulátor vytiahnuť.



Príslušenstvo - nie je súčasťou štandardnej výbavy, odporúčané doplnenie z programu príslušenstva.



Elektrické prístroje sa nesmú likvidovať spolu s odpadom z domácnosti. Elektrické a elektronické prístroje treba zbierať oddelene a odovzdať ich v recyklačnom podniku na ekologickú likvidáciu. Na miestnych úradoch alebo u vášho špecializovaného predajcu sa spýtajte na recyklačné podniky a zberné dvory.



Značka zhody v Európe



Značka zhody v Británii



Značka zhody na Ukrajine



Značka zhody pre oblasť Eurázie

DANE TECHNICZNE Akumulatorowe nożyce do blachy		M18 BMS12	M18 BMS20
Numer produkcyjny		4776 43 02... ... 000001-999999	4776 44 02... ... 000001-999999
Napięcie baterii akumulatorowej		18 V	18 V
Prędkość bez obciążenia		0 - 2500 min ⁻¹	0 - 2500 min ⁻¹
Minimalny promień cięcia		180 mm	180 mm
Maksymalna wydajność cięcia		5,5 m/min	5,5 m/min
Stal 400 N/mm ²		1,2 mm	2,0 mm
600 N/mm ²		0,95 mm	1,6 mm
800 N/mm ²		0,8 mm	1,2 mm
Aluminium 250 N/mm ²		2,0 mm	3,2 mm
Ciężar wg procedury EPTA 01/2014 (2,0 Ah)		2,3 kg	2,34 kg
Zalecana temperatura otoczenia w trakcie eksploatacji		-18°C ... +50°C	-18°C ... +50°C
Zalecane zestawy akumulatorowe		M18B...	M18B...
Zalecane ładowarki		M12-18...	M12-18...
Informacja dotycząca szumów			
Zmierzone wartości wyznaczone zgodnie z normą EN 62841. Poziom szumów urządzenia oszacowany jako A wynosi typowo:			
Poziom ciśnienia akustycznego (Niepewność K=3dB(A))		78,2 dB (A)	78,2 dB (A)
Poziom mocy akustycznej (Niepewność K=3dB(A))		89,2 dB (A)	89,2 dB (A)
Należy używać ochroniaczy uszu!			
Informacje dotyczące wibracji			
Wartości łączne drgań (suma wektorowa trzech kierunków) wyznaczone zgodnie z normą EN 62841			
Wartość emisji drgań a _n		4,75 m/s ²	7,07 m/s ²
Niepewność K=		1,5 m/s ²	1,5 m/s ²

OSTRZEŻENIE

Poziom drgań i emisji hałasu podany w niniejszej instrukcji zmierzono zgodnie ze standardową metodą badania wg EN 62841 i można ją wykorzystać do porównania narzędzia z innym narzędziem. Można go wykorzystać przy wstępnej ocenie narażenia.

Deklarowany poziom emisji drgań i hałasu reprezentuje główne zastosowania narzędzia. Jeśli jednak narzędzie jest używane do różnych zastosowań, z różnymi akcesoriami lub w przypadku nieprawidłowej konserwacji, emisja drgań i hałasu może się różnić. Może to znacznie zwiększyć poziom narażenia w całym okresie eksploatacji narzędzia.

Oszacowanie poziomu narażenia na wibracje i hałas powinno również uwzględniać czasy, kiedy narzędzie jest wyłączone lub kiedy jest włączone, ale nie pracuje. Może to znacznie obniżyć poziom ekspozycji w całym okresie eksploatacji narzędzia.

Należy zidentyfikować dodatkowe środki bezpieczeństwa w celu ochrony operatora przed skutkami wibracji i/lub hałasu, takie jak: utrzymywanie narzędzia i akcesoriów w nienagannym stanie, utrzymywanie ciepła rąk, organizacja pracy.

⚠ OSTRZEŻENIE! Prosimy o przeczytanie wskazówek bezpieczeństwa i zaleceń, również tych. Jeśli nie będą przestrzegane następujące przepisy, może dojść do porażenia prądem, pożaru i/lub ciężkich obrażeń ciała.

Należy starannie przechowywać wszystkie przepisy i wskazówki bezpieczeństwa dla dalszego zastosowania.

⚠ WSKAZÓWKI BEZPIECZEŃSTWA DLA NOŻYC DO BLACHY

Używać urządzenia, akcesoriów, narzędzi roboczych itd. zgodnie z niniejszymi instrukcjami. Przy czym należy uwzględnić warunki pracy i wykonywane czynności. Użycie urządzeń do zastosowań innych, aniżeli przewidziane, może prowadzić do powstania niebezpiecznych sytuacji.

Podczas pracy należy zawsze nosić okulary ochronne. Zalecane jest także noszenie rękawic, mocnego, nieślizgającego się obuwia oraz ubrania roboczego.

Należy zabezpieczyć przedmiot poddawany obróbce za pomocą urządzenia mocującego. Niezabezpieczone przedmioty poddawane obróbce mogą spowodować ciężkie obrażenia ciała i uszkodzenia.

Podczas cięcia, przytrzymać tak, że ostrza są stykać się z materiałem dla najszybszych cięcia. Zastosowanie nawet ciśnienie. Zbyt duże ciśnienie będzie miało tendencję do jam narzędzia lub spowodować zgrubienie.

Należy pamiętać, iż w przypadku zaniku obciążenia maszyna samoczynnie powraca do pierwotnej roboczej liczby obrotów. Nigdy nie odkładać urządzenia zanim obrotowy osprzęt tnący całkowicie się nie zatrzyma. Narzędzie robocze może się zakleszczyć i doprowadzić do utraty kontroli nad urządzeniem.



Pol

Przed przystąpieniem do jakichkolwiek prac na elektronarzędziu należy wyjąć wkładkę akumulatorową.

OSTRZEŻENIE! Aby uniknąć niebezpieczeństwa pożaru, obrażeń lub uszkodzeń produktu na skutek zwarcia, nie wolno zanurzać narzędzia, akumulatora wymiennego ani ładowarki w cieczach i należy zatroszczyć się o to, aby do urządzeń i akumulatorów nie dostały się żadne ciecze. Zwarcie spowodować mogą korodujące lub przewodzące ciecze, takie jak woda morską, okrośloną chemikalia i wybielacze lub produkty zawierające wybielacze.

Akumulatory Systemu M18 należy ładować wyłącznie przy pomocy ładowarek Systemu M18. Nie ładować przy pomocy tych ładowarek akumulatorów innych systemów.

Nie otwierać wkładek akumulatorowych i ładowarek. Przechowywać w suchych pomieszczeniach. Chronić przed wilgocią.

BATERIE AKUMULATOROWE

Akumulatory, które nie były przez dłuższy czas użytkowane, należy przed użyciem naładować.

W temperaturze powyżej 50°C następuje spadek osiągniętych wkładki akumulatorowej. Unikaj długotrwałego wystawienia na oddziaływanie ciepła lub promieni słonecznych (niebezpieczeństwo przegrzania).

Styki ładowarek i wkładek akumulatorowych należy utrzymywać w czystości

Dla zapewnienia optymalnej żywotności akumulatory po użyciu należy naładować do pełnej pojemności.

Dla zapewnienia możliwie długiej żywotności akumulatory należy wyjąć z ładowarki po ich naładowaniu.

W przypadku składowania akumulatorów dłużej aniżeli 30 dni: Przechowywać je w suchym miejscu w temperaturze ok. 27°C.; Przechowywać je w stanie naładowanym do ok. 30% - 50%.; Ładować je ponownie co 6 miesięcy.

Zużytych akumulatorów nie wolno wrzucać do ognia ani traktować jako odpadów domowych. Milwaukee oferuje ekologiczną utylizację zużytych akumulatorów.

Nie przechowywać akumulatorów wraz z przedmiotami metalowymi (niebezpieczeństwo zwarcia).

W skrajnych warunkach temperaturowych lub przy bardzo dużym obciążeniu może dochodzić do wycieku kwasu akumulatorowego z uszkodzonych baterii akumulatorowych. W przypadku kontaktu z kwasem akumulatorowym należy natychmiast przemyć miejsce kontaktu wodą z mydłem. W przypadku kontaktu z oczami należy dokładnie przepłukiwać oczy przynajmniej przez 10 minut i zwrócić się natychmiast o pomoc medyczną.

Do ładowarki nie wolno wkładać żadnych przedmiotów metalowych (niebezpieczeństwo zwarcia).

TRANSPORT AKUMULATORÓW LITOWO-JONOWYCH

Akumulatory litowo-jonowe podlegają ustawowym przepisom dotyczącym transportu towarów niebezpiecznych.

Transport tych akumulatorów winien odbywać się przy przestrzeganiu lokalnych, krajowych i międzynarodowych rozporządzeń i przepisów.

Odbiorcom nie wolno transportować tych akumulatorów po drogach ot tak po prostu.

Komercyjny transport akumulatorów litowo-jonowych przez przedsiębiorstwa spedycyjne podlega przepisom dotyczącym transportu towarów niebezpiecznych. Przygotowania do wysyłki oraz transport mogą być wykonywane wyłącznie przez odpowiednio

przeszkolone osoby. Cały proces winien odbywać się pod fachowym nadzorem.

W czasie transportu akumulatorów należy przestrzegać następujących punktów:

Celem uniknięcia zwarcia należy upewnić się, że zestyki są zabezpieczone i zaizolowane. Zwracać uwagę na to, aby zespół akumulatorów nie mógł się przemieszczać we wnętrzu opakowania. Nie wolno transportować akumulatorów uszkodzonych lub z wyciekającym z elektrolitem. Odbiorstwo dalszych wskazówek należy zwrócić się do swojego przedsiębiorstwa spedycyjnego.

WARUNKI UŻYTKOWANIA

Elektronarzędzie przeznaczone jest do bezwiotrowego cięcia blach. Umożliwia wykonywanie zarówno cięć prosto- jak i krzywoliniowych.

UTRZYMANIE I KONSERWACJA

Usuwać zawsze pył i zanieczyszczenia z przyrządu. Uchwyty utrzymywać zawsze w stanie czystym, suchym i wolnym od oleju lub smaru. Środki czyszczące i rozpuszczalniki działają niekorzystnie na tworzywa sztuczne i inne części izolujące, dlatego też przyrząd należy myć tylko wilgotną ściereczką nasączoną łagodnym mydłem. Nigdy nie należy używać palnych rozpuszczalników w pobliżu przyrządu.

Otwory wentylacyjne elektronarzędzia muszą być zawsze drożne.

Używać tylko i wyłącznie wyposażenia dodatkowego Milwaukee i części zamiennych Milwaukee. Gdyby trzeba było wymienić części, które nie zostały opisane, należy skontaktować się z przedstawicielem serwisu Milwaukee (patrz wykaz adresów punktów usługowych/gwarancyjnych).

Na życzenie można otrzymać rysunek widoku zespołu rozebranego. Przy zamawianiu należy podać numer oraz typ elektronarzędzia umieszczonego na tabliczce znamionowej. Zamówienia można dokonać albo u lokalnych przedstawicieli serwisu, albo bezpośrednio w Techtronic Industries GmbH, Max-Eyth-Straße 10, 71364 Winnenden, Germany.

DEKLARACJA ZGODNOŚCI CE

Oświadczamy na naszą wyłączną odpowiedzialność, że produkt opisany pod „Dane techniczne” spełnia wszystkie istotne przepisy dyrektyw

2011/65/UE (RoHS)

2006/42/WE

2014/30/UE

i zastosowano następujące zharmonizowane normy 0

EN 62841-1:2015

EN 62841-2-8:2016

EN 55014-1:2017+A11:2020

EN 55014-2:2015

EN IEC 63000:2018



Winnenden, 2020-11-20

Alexander Krug / Managing Director
Upelnomocniony do zestawienia danych technicznych
Techtronic Industries GmbH
Max-Eyth-Straße 10, 71364 Winnenden, Germany

SYMBOLE



UWAGA! OSTRZEŻENIE NIEBEZPIECZEŃSTWO!



Przed uruchomieniem elektronarzędzia zapoznać się uważnie z treścią instrukcji.



Nosić rękawice ochronne!



Podczas pracy należy zawsze nosić okulary ochronne.



Przed przystąpieniem do jakichkolwiek prac na elektronarzędziu należy wyjąć wkładkę akumulatorową.



Wyposażenie dodatkowe dostępne osobno.



Urządzenia elektryczne nie mogą być usuwane razem z odpadami pochodzącymi z gospodarstw domowych. Urządzenia elektryczne i elektroniczne należy gromadzić oddzielnie i w celu usuwania ich do odpadów zgodnie z wymaganiami środowiska naturalnego oddawać do przedsiębiorstwa utylizacyjnego. Proszę zasięgnąć informacji o centrach recyklingowych i punktach zbiorczych u władz lokalnych lub u wyspecjalizowanego dostawcy.



Europejski Certyfikat Zgodności



Brytyjski Certyfikat Zgodności



Ukraiński Certyfikat Zgodności



Euroazjatycki Certyfikat Zgodności



MŰSZAKI ADATOK Akkus lemezvágó olló		M18 BMS12	M18 BMS20
Gyártási szám		4776 43 02... ... 000001-999999	4776 44 02... ... 000001-999999
Akkumulátor feszültség		18 V	18 V
Üresjárat fordulatszám		0 - 2500 min ⁻¹	0 - 2500 min ⁻¹
Minimum vágásszög		180 mm	180 mm
Max. vágási teljesítmény		5,5 m/min	5,5 m/min
Acél 400 N/mm ² 600 N/mm ² 800 N/mm ²		1,2 mm 0,95 mm 0,8 mm	2,0 mm 1,6 mm 1,2 mm
aluminium 250 N/mm ²		2,0 mm	3,2 mm
Súly a 01/2014 EPTA-eljárás szerint (2,0 Ah)		2,3 kg	2,34 kg
Üzemeléshez ajánlott környezeti hőmérséklet		-18°C ... +50°C	-18°C ... +50°C
Ajánlott akkucsomagok		M18B...	M18B...
Ajánlott töltőkészülékek		M12-18...	M12-18...
Zajinformáció A közölt értékek megfelelnek az EN 62841 szabványnak. A készülék munkahelyi zajszintje tipikusan:			
Hangnyomás szint (K bizonytalanság=3dB(A))		78,2 dB (A)	78,2 dB (A)
Hangteljesítmény szint (K bizonytalanság=3dB(A))		89,2 dB (A)	89,2 dB (A)
Hallásvédő eszköz használata ajánlott!			
Vibráció-információk Összesített rezgésértékek (három irány vektoriális összeg az EN 62841-nek megfelelően meghatározva.)			
rezgésemisszió érték a _h		4,75 m/s ²	7,07 m/s ²
K bizonytalanság		1,5 m/s ²	1,5 m/s ²



FIGYELMEZTETÉS

Az adatlapon feltüntetett rezgés- és zajkibocsátási szint mérésére az EN 62841 szabványos vizsgálati módszer alapján került sor, és a kapott értékek az egyes szerszámok összehasonlítására használhatók. Az értékek az expozíció előzetes értékelésében használhatók.

A feltüntetett rezgés- és zajkibocsátási szint a szerszám főbb alkalmazásait tükrözi. Mindazonáltal, ha a szerszámot különböző alkalmazásokra, eltérő tartozékokkal használják, illetve a szerszám nincs megfelelően karbantartva, a rezgés- és zajkibocsátási szint eltérő lehet. Ez jelentősen növelheti az expozíciós szintet a teljes munkafolyamat során.

A rezgésnek és zajnak való expozíció becsült szintjét is figyelembe kell venni a szerszám kikapcsolásakor, illetve olyankor, ha a szerszám üzemel, de valójában nem történik vele munkavégzés. Ez jelentősen csökkentheti az expozíciós szintet a teljes munkafolyamat során.

Határozzon meg további biztonsági intézkedéseket, hogy védje a kezelőt a rezgés- és/vagy zajhatásoktól. Ilyen intézkedések pl.: a szerszámok és tartozékok karbantartása, a kéz melegen tartása, munkarend-szervezés.

⚠ FIGYELMEZTETÉS! Olvasson el minden biztonsági útmutatót és utasítást. Ha nem tartja be a következő előírásokat, akkor ez áramütéshez, tűzhöz és/vagy súlyos személyi sérülésekhez vezethet.

Kérjük a későbbi használatra gondosan őrizze meg ezeket az előírásokat.

⚠ LEMEZVÁGÓ OLLÓKRA VONATKOZÓ BIZTONSÁGI ÚTUTATÁSOK

A készüléket, tartozékokat, betétszerszámokat stb. a jelen utasításoknak megfelelően használja. Ennek során vegye figyelembe a munkakörülményeket és az végzendő tevékenységet. Készülékek az előíránnyal eltérő alkalmazásokra történő használata veszélyes helyzeteket idézhet elő.

Munkavégzés közben ajánlatos védőszemüveget viselni. Védőkesztyű, zárt és csúszásmentes cipő, valamint védőkötény használata szintén javasolt.

Biztosítsa a munkadarabot befogó szerkezettel. A nem biztosított munkadarabok súlyos sérüléseket és károkat okozhatnak.

A vágás, tartsa a szerszámot, hogy a kések vannak szoros kapcsolatban áll az anyag a leggyorsabb vágás. Alkalmazza egyenes nyomást. Túl nagy a nyomás hajlamok elakadhat az eszköz, illetve ne okozzon durva vágás.

Kérjük, vegye figyelembe, hogy a gép a terhelés megszűnése esetén ismét önállóan az eredeti munkafordulatszámra gyorsul. Ne tegye le soha addig az elektromos szerszámot, amíg a mozgó szerszámrész nem állt le teljesen. A betétszerszám megakadhat, és a készülék feletti ellenőrzés elvesztéséhez vezethet.

Karbantartás, javítás, tisztítás, stb. előtt az akkumulátort ki kell venni a készülékből.

FIGYELMEZTETÉS! A rövidzárlat általi tűz, sérülések vagy termékkárosodások veszélye elkerülésére ne merítse a szerszámot, a cserélhető akkut vagy a töltőkészüléket folyadékokba, és gondoskodjon arról, hogy ne hatoljanak folyadékok a készülékekbe és az akkukba. A korrozív hatású vagy vezetőképes folyadékok, mint pl. a sós víz, bizonyos vegyi anyagok, fehérítők vagy fehérítő tartalmú termékek, rövidzárlatot okozhatnak.

Az M18 elvezetésű rendszerhez tartozó akkumulátorokat kizárólag a rendszerhez tartozó töltővel töltsse fel. Ne használjon más rendszerbe tartozó töltőt.

Az akkumulátort, töltőt nem szabad megbontani és kizárólag száraz helyen szabad tárolni. Nedvességtől óvni kell.

AKKUK

A hosszabb ideig üzemben kívül lévő akkumulátort használat előtt ismételtelen fel kell tölteni.

50°C feletti hőmérsékletnél csökkenhet az akkumulátor teljesítménye. Kerülni kell a túlzottan meleg helyen vagy napon történő hosszabb idejű tárolást.

A töltő és az akkumulátor csatlakozóit mindig tisztán kell tartani.

Az optimális élettartam érdekében használat után az akkukat teljesen fel kell tölteni.

A lehetőleg hosszú élettartamhoz az akkukat feltöltés után ki kell venni a töltőkészülékből.

Az akku 30 napot meghaladó tárolása esetén: Az akkut kb. 27 °C-on, száraz helyen kell tárolni.; Az akkut kb. 30-50%-os töltöttségi állapotban kell tárolni.; Az akkut 6 havonta újra fel kell tölteni.

A használt akkumulátort ne dobja tűzbe vagy a háztartási szemétkosárba. Tájékozódjon a szakszerű megsemmisítés helyi lehetőségeiről.

Az akkumulátort ne tárolja együtt fém tárgyakkal. (Rövidzárlat veszélye).

Akkumulátor sav folyhat a sérült akkumulátorból extrém terhelés alatt, vagy extrém hő miatt. Ha az akkumulátor sav a bőrre kerül azonnal mossa meg szappanos vízzel. Szembe kerülés esetén folyóvíz alatt tartsa a szemét minimum 10 percig és azonnal forduljon orvoshoz.

Ügyeljen arra, hogy a töltő aknájába ne kerüljön semmilyen fém tárgy, mert ez rövidzárlatot okozhat.

LÍTIUM-ION AKKUK SZÁLLÍTÁSA

A lítium-ion akkuk a veszélyes áruk szállítására vonatkozó törvényi rendelkezések hatálya alá tartoznak.

Az ilyen akkuk szállításának a helyi, országos és nemzetközi előírások és rendelkezések betartása mellett kell történnie.

A fogsasztók minden további nélkül szállíthatják az ilyen akkukat közúton.

A lítium-ion akkuk szállítványozási vállalatok általi kereskedelmi célú szállítására a veszélyes áruk szállítására vonatkozó rendelkezések érvényesek. A kiszállítás előkészítését és a szállítást kizárólag megfelelő képzettségű személyek végezhetik. A teljes folyamatnak szakmai felügyelet alatt kell történnie.

A következő pontokat kell figyelembe venni akkuk szállításakor:

Biztosítsa, hogy a rövidzárlatok elkerülése érdekében az érintkezők védve és szigetelve legyenek. Ügyeljen arra, hogy az akkusomag ne tudjon elcsúszni a csomagoláson belül. Tilos sérült vagy kifolyt akkukat szállítani. További útmutatásokért forduljon szállítványozási vállalatához.

RENDELTESSZERŰ HASZNÁLAT

Az elektromos kéziszerszám fémlemezek forgácsvesztesség nélküli darabolására szolgál. A berendezés görbe és egyenes vonalú vágásokra alkalmas.

KARBANTARTÁS

A port és szennyeződések mindig el kell távolítani a készülékről.

A fogantyút tisztán, szárazon, valamint olajtól és zsírtól mentesen kell tartani. A tisztító- és oldószerek károsak a műanyagokra és más szigetelő részekre, ezért csak gyenge szappannal és nedves ruhával tisztítsa a készüléket. Soha ne használjon éghető oldószereket a készülék közelében.

A készülék szellőzőnyílásait mindig tisztán kell tartani.

Csak Milwaukee tartozékokat és Milwaukee pótkatrészeket szabad használni. Az olyan elemeket, melyek cseréje nincs ismertetve, cseréltesse ki Milwaukee szervizzel (lásd Garancia/Ügyfélszolgálat címei kiadványt).

Szükség esetén a készülékek robbantott ábráját - a készülék típusa és azonosító száma alapján a területileg illetékes Milwaukee márkaszerviztől vagy közvetlenül a gyártótól (Techtronic Industries GmbH, Max-Eyth-Straße 10, 71364 Winnenden, Germany) lehet kérni.

CE-AZONOSSÁGI NYILATKOZAT

Kizárólagos felelősségünk alapján kijelentjük, hogy a „Műszaki adatok” fejezetben leírt termék megfelel a irányelvek összes vonatkozó rendelkezésének

2011/65/EU (RoHS)

2006/42/EE

2014/30/EU

harmonizált szabvány és a 0

EN 62841-1:2015

EN 62841-2-8:2016

EN 55014-1:2017+A11:2020

EN 55014-2:2015

EN IEC 63000:2018



Winnenden, 2020-11-20

Alexander Krug / Managing Director
Műszaki dokumentáció összeállításra felhatalmazva
Techtronic Industries GmbH
Max-Eyth-Straße 10, 71364 Winnenden, Germany



SZIMBÓLUMOK



FIGYELEM! FIGYELMEZTETÉS! VESZÉLY!



Kérjük alaposan olvassa el a tájékoztatót mielőtt a gépet használja.



Hordjon védőkesztyűt!



Munkavégzés közben ajánlatos védőszemüveget viselni.



Karbantartás, javítás, tisztítás, stb. előtt az akkumulátort ki kell venni a készülékből.



Azokat a tartozékokat, amelyek gyárilag nincsenek a készülékhez mellékelve, külön lehet megrendelni.



Az elektromos eszközöket nem szabad háztartási hulladékkal együtt ártalmatlanítani. Az elektromos és elektronikus eszközöket szelektíven kell gyűjteni, és azokat környezetbarát ártalmatlanítás céljából hulladékhasznosító üzemben kell leadni. A helyi hatóságoknál vagy szakkereskedőjénél tájékozódjon a hulladékudvarokról és gyűjtőhelyekről.



Európai megfelelőségi jelölés



Egyesült királyságbeli megfelelőségi jelölés



Ukrán megfelelőségi jelölés



Eurázsiai megfelelőségi jelölés



TEHNIČNI PODATKI Akumulatorske škarje za pločevino		M18 BMS12	M18 BMS20
Proizvodna številka		4776 43 02... ... 000001-999999	4776 44 02... ... 000001-999999
Napetost izmenljivega akumulatorja		18 V	18 V
Število vrtljajev v prostem teku		0 - 2500 min ⁻¹	0 - 2500 min ⁻¹
Najmanjši radij rezanja		180 mm	180 mm
Maksimalna jakost reza		5,5 m/min	5,5 m/min
Jeklo 400 N/mm ²		1,2 mm	2,0 mm
600 N/mm ²		0,95 mm	1,6 mm
800 N/mm ²		0,8 mm	1,2 mm
Aluminij 250 N/mm ²		2,0 mm	3,2 mm
Teža po EPTA-proceduri 01/2014 (2,0 Ah)		2,3 kg	2,34 kg
Priporočena temperatura okolice za obratovanje		-18°C ... +50°C	-18°C ... +50°C
Priporočeni kompleti akumulatorjev		M18B...	M18B...
Priporočeni polnilniki		M12-18...	M12-18...
Informacije o hrupnosti			
Vrednosti merjenja ugotovljene ustrezno z EN 62841. Raven hrupnosti naprave ovrednotena z A, znaša tipično:			
Nivo zvočnega tlaka (Nevarnost K=3dB(A))		78,2 dB (A)	78,2 dB (A)
Višina zvočnega tlaka (Nevarnost K=3dB(A))		89,2 dB (A)	89,2 dB (A)
Nosite zaščito za sluh!			
Informacije o vibracijah			
Skupna vibracijska vrednost (Vektorska vsota treh smerdoločena ustrezno EN 62841.			
Vibracijska vrednost emisij a _h		4,75 m/s ²	7,07 m/s ²
Nevarnost K=		1,5 m/s ²	1,5 m/s ²



OPOZORILO

Raven vibracij in hrupa, navedena v tem informativnem listu, je bila izmerjena v skladu s standardiziranim preskusom iz EN 62841 in jo je mogoče uporabljati za primerjavo orodij med seboj. Mogoče jo je tudi uporabiti za predhodno oceno izpostavljenosti.

Navedena raven vibracij in hrupa predstavlja glavno uporabo orodja. Če pa se orodje uporablja za različne namene, z različnimi dodatki ali slabo vzdrževano, se lahko vibracije in hrup razlikujejo. To lahko znatno poveča raven izpostavljenosti v celotnem delovnem obdobju.

Pri oceni ravni izpostavljenosti vibracijam in hrupu je treba upoštevati tudi čas, ko je orodje izklopljeno ali ko teče, vendar dejansko ne opravlja dela. To lahko bistveno zmanjša raven izpostavljenosti v celotnem delovnem obdobju.

Ugotovite dodatne varnostne ukrepe za zaščito upravljalca pred učinki vibracij in/ali hrupa, kot so: vzdrževanje orodja in dodatkov, tople roke, organizacija delovnih vzorcev.

⚠ OPOZORILO! Preberite vsa varnostna opozorila in navodila. Zaradi neupoštevovanja spodaj navedenih navodil lahko pride do električnega udara, požara in/ali težkih telesnih poškodb.
Vsa opozorila in napotila shranite, ker jih boste v prihodnje še potrebovali.

⚠ VARNOSTNA OPOZORILO ŠKARIJ ZA REZANJE PLOČEVINE

Napravo, pribor, orodje itn. uporabljajte ustrezno tem navodilom. Pri tem upoštevajte delovne pogoje in izvajanje dejavnosti. Uporaba naprav za drugačne namene, ki niso predvideni, lahko privede do nevarnih situacij.

Pri delu s strojem vedno nosite zaščitna očala. Priporočamo zaščitne rokavice, trdno obuvalo, varno proti drsenju ter predpasnik.

Obdelovanec zavarujte z vpenjalno pripravo. Nezavarovani obdelovanci lahko povzročijo težke poškodbe in okvare.

Pri žaganju, imajo orodje, tako da so lopatice v trdnem stiku z materialom za najhitrejšo rezanje. Uporabljajo tudi pritisk. Preveč pritiska bo ponavadi marmelado funkcije ali povzročilo grobo rez.

Prosimo vas, da upoštevate, da se stroj po prenehanju obremenitve ponovno samostojno zažene na prvotno obratovalno število vrtljajev. Ne odlagajte električno napravo vse dokler se električna naprava ni popolnoma umirila. Uporabljeno orodje se lahko zagozdi in privede do izgube nadzora nad napravo

Pred vsemi deli na stroji odstranite izmenljivi akumulator.

OPOZORILO! V izogib, s kratkim stikom povzročene nevarnosti požara, poškodb ali okvar na proizvodu, orodja, izmenljivega akumulatorja ali polnilne naprave ne potaplajte v tekočine in poskrbite, da ne bo prihajalo do vdora tekočin v napravo in akumulatorje. Korozivne ali prevodne tekočine, kot so slana voda, določene kemikalije in belila ali proizvodi, ki le ta vsebujejo, lahko povzročijo kratek stik.

Izmenljive akumulatorje sistema M18 polnite samo s polnilnimi aparati sistema M18. Ne polnite nobenih akumulatorjev iz drugih sistemov.

Izmenljivih akumulatorjev in polnilnih aparatov ne odpirajte in jih hranite samo v suhih prostorih. Zaščitite jih pred mokroto.

AKUMULATORJI

Izmenljive akumulatorje, ki jih daljši čas niste uporabljali, pred uporabo naknadno napolnite.

Temperatura nad 50°C zmanjšuje zmogljivost izmenljivega akumulatorja. Izogibajte se daljšemu segrevanju zaradi sončnih žarkov ali gretja.

Pazite, da ostanejo priključni kontakti na polnilnem aparatu in izmenljivem akumulatorju čisti.

za optimalno življenjsko dobo je potrebno akumulatorje po uporabi do konca napolniti.

Da čim daljšo življenjsko dobo naj se akumulatorji po napolnitvi vzamejo ven iz naprave za polnjenje.

Pri skladiščenju akumulatorjev dalj kot 30 dni: Akumulator skladiščiti pri 27°C in na suhem.; Akumulator skladiščiti pri 30%-50% stanja polnjenja.; Akumulator spet napolniti vsakih 6 mesecev.

Izrabljenih izmenljivih akumulatorjev ne mečite v ogenj ali v gospodinjinske odpadke. Milwaukee nudi okolju prijazno odlaganje starih izmenljivih akumulatorjev; prosimo povprašajte vašega strokovnega trgovca.

Izmenljivih akumulatorjev ne hranite skupaj s kovinskimi predmeti (nevarnost kratkega stika).

Pod ekstremno obremenitvijo ali ob ekstremni temperaturi iz poškodovanega izmenljivega akumulatorja lahko izteka akumulatorska tekočina. Po stiku z akumulatorsko tekočino prizadeto mesto takoj izperite z vodo in milom. Po stiku z očmi takoj najmanj 10 minut dolgo temeljito izpirajte in nemudoma obiščite zdravnika.

V odprtino za nameščanje izmenljivih akumulatorjev na polnilnih aparatih ne smejo zaiti nikakršni kovinski deli (nevarnost kratkega stika).

TRANSPORT LITIJ-IONSkih AKUMULATORJEV

Litij-ionski akumulatorji so podvrženi zakonskim določbam transporta nevarnih snovi.

Transport teh akumulatorjev se mora izvajati upoštevajoč lokalne, nacionalne in mednarodne predpise in določbe.

Potrošniki lahko te akumulatorje še nadalje transportirajo po cesti. Komerčni transport litij-ionskih akumulatorjev s strani špediterskih podjetij je potrjen določbam transporta nevarnih snovi. Priprava odpreme in transporta se lahko vrši izključno s strani ustrezno izšolanih oseb. Celoten proces je potrebno strokovno spremljati.

Pri transportu akumulatorjev je potrebno upoštevati sledeče točke:

V izogib kratkim stikom zagotovite, da bodo kontakti zaščiteni in izolirani. Bodite pozorni na to, da paket akumulatorja v notranjosti embalaže ne bo mogel zdrsniti. Poškodovanih ali iztekajočih akumulatorjev ni dovoljeno transportirati. Za nadaljnja navodila se obrnite na vaše špeditersko podjetje.

UPORABA V SKLADU Z NAMEMBNOSTJO

Električno orodje je namenjeno za rezanje pločevine brez nastajanja ostružkov. Primerno je za krivuljaste in ravne reze.

VZDRŽEVANJE

Prah in nečistoče vsakokrat odstranite iz naprave. Ročaj vzdržujte čist, suh in olja ali masti prost. Čistilna sredstva in razredčila so škodljiva za umetne mase in ostale izolirajoče dele, zaradi tega napravo čistite zgolj z blagim milom in vlažno krpo. V bližini naprave nikdar ne uporabljajte gorljivih razredčil.

Pazite na to, da so prežračevalne reže stroja vedno čiste.

Uporabljajte samo Milwaukee pribor in Milwaukee nadomestne dele. Poskrbite, da sestavne dele, katerih zamenjava ni opisana, zamenjavi v Milwaukee servisni službi (upoštevajte brošuro Garancija aslovi servisnih služb).

Po potrebi se lahko pri vaši servisni službi ali direktno pri Techtronic Industries GmbH naroči eksplozijska risba naprave ob navedbi tipa stroja in številke s tipske ploščice Techtronic Industries GmbH, Max-Eyth-Straße 10, 71364 Winnenden, Germany.

CE-IZJAVA O KONFORMNOSTI

S polno odgovornostjo izjavljamo, da izdelek, opisan pod „Tehnični podatki“ izpolnjuje vse ustrezne določbe direktiv 2011/65/EU (RoHS)

2006/42/ES

2014/30/EU

ter da so bili uporabljeni naslednji harmonizirani standardi 0

EN 62841-1:2015

EN 62841-2-8:2016

EN 55014-1:2017+A11:2020

EN 55014-2:2015

EN IEC 63000:2018



Winnenden, 2020-11-20

Alexander Krug / Managing Director
Pooblaščen za izdelavo spisov tehnične dokumentacije.

Techtronic Industries GmbH
Max-Eyth-Straße 10, 71364 Winnenden, Germany

SIMBOLI



POZOR! OPOZORILO! NEVARNO!



Prosimo, da pred uporabo pozorno preberete to navodilo za uporabo.



Nositi zaščitne rokavice



Pri delu s strojem vedno nosite zaščitna očala.



Pred vsemi deli na stroji odstranite izmenljivi akumulator.



Oprema – ni vsebovana v obsegu dobave, priporočeno dopolnilo iz programa opreme.



Električnih naprav ni dovoljeno odstranjevati skupaj z gospodinjskimi odpadki. Električne in elektronske naprave je potrebno zbirati ločeno in za okolju prijazno odstranitev, oddati podjetju za reciklažo. Pri krajevnem uradu ali vašem strokovnem prodajalcu se pozanimajte glede reciklažnih dvorišč in zbirnih mest.



Evropska oznaka za združljivost



Britanska oznaka za združljivost



Ukrajinska oznaka za združljivost



Evrazijska oznaka za združljivost



TEHNIČKI PODACI Akumulatorske škare za lim		M18 BMS12	M18 BMS20
Broj proizvodnje		4776 43 02... ... 000001-999999	4776 44 02... ... 000001-999999
Napon baterije za zamjenu		18 V	18 V
Broj okretaja praznog hoda		0 - 2500 min ⁻¹	0 - 2500 min ⁻¹
Najmanji radijus rezanja		180 mm	180 mm
Učinak rezanja max.		5,5 m/min	5,5 m/min
Čelik 400 N/mm ²		1,2 mm	2,0 mm
600 N/mm ²		0,95 mm	1,6 mm
800 N/mm ²		0,8 mm	1,2 mm
Aluminij 250 N/mm ²		2,0 mm	3,2 mm
Težina po EPTA-proceduri 01/2014 (2,0 Ah)		2,3 kg	2,34 kg
Preporučena temperatura okoline za pogon		-18°C ... +50°C	-18°C ... +50°C
Preporučeni akumulatorski paket		M18B...	M18B...
Preporučeni punjači		M12-18...	M12-18...
Informacije o buci			
Mjerne vrijednosti utvrđene odgovarajuće EN 62841. A-ocijenjeni nivo buke aparata iznosi tipično:			
Nivo pritiska zvuka (Nesigurnost K=3dB(A))		78,2 dB (A)	78,2 dB (A)
Nivo učinka zvuka (Nesigurnost K=3dB(A))		89,2 dB (A)	89,2 dB (A)
Nositi zaštitu sluha!			
Informacije o vibracijama			
Ukupne vrijednosti vibracije (Vektor suma tri smjersu odmjerene odgovarajuće EN 62841)			
Vrijednost emisije vibracije a _h		4,75 m/s ²	7,07 m/s ²
Nesigurnost K=		1,5 m/s ²	1,5 m/s ²



Hrv

UPOZORENIE

Razine emisije vibracija i buke navedena u ovom informacijskom listu izmjerene su u skladu sa standardiziranim ispitom koji propisuje EN 62841 i mogu se upotrebljavati za međusobnu usporedbu alata. Također se mogu upotrebljavati za prethodnu procjenu izloženosti.

Navedene razine emisija vibracija i buke predstavljaju glavnu svrhu primjene alata. Međutim, ako se alat upotrebljava u druge svrhe, s drugim priborom ili se ne održava dovoljno, emisije vibracija i buke mogu biti drukčije. To može značajno povećati razinu izloženosti tijekom cjelokupna razdoblja rada.

Procjena razine izloženosti vibracijama i buci također bi u obzir trebala uzeti razdoblja tijekom kojih je alat isključen ili kada je uključen, no njime se ne obavlja nikakav rad. Time se značajno može smanjiti razina izloženosti tijekom cjelokupna razdoblja rada.

Utvrđite dodatne sigurnosne mjere kako biste zaštitili rukovatelja od ovih učinaka vibracija i/ili buke, primjerice: održavanje alata i pribora, osiguravanje da ruke budu tople, organizacija obrazaca rada.

UPOZORENIE! Pročitajte sigurnosne upute i uputnice.

Ako se ne bi pridržavali sljedećih uputa, moglo bi doći do električnog udara, požara i/ili teških ozljeda.

Sačuvajte sve napomene o sigurnosti i upute za buduću primjenu.

SIGURNOSNE UPUTE ZA ŠKARE ZA LIM

Upotrebljavajte aparat, pribor, radne alate itd. odgovarajuće ovim uputama. Kod toga uzmite u obzir radne uvjete i djelatnost koja se izvodi. Uporaba aparata za druge primjene osim predviđenih može dovesti do opasnih situacija.

Kod radova sa strojem uvijek nositi zaštitne naočale. Zaštitne rukavice, čvrste i protiv klizanja sigurne cipele kao i pregača se preporučuju.

Osigurajte vaš izradak jednim steznim uređenjem. Neosigurani izradci mogu prouzročiti teške povrede i oštećenja.

Prilikom rezanja, držite funkcije, tako da su krila su u čvrstom kontaktu s materijalom za najbrže rezanje. Nanesite čak i pritisak. Previše tlak imaju tendenciju da će zaglaviti funkcije ili izazvati grube.

Imajte molimo na umu, da se stroj kod otpada opterećenja ponovno samostalno diže na prvobitni radni broj okretaja. Nikad ne ostavljajte električni stroj bez nadzora, dok se alat ne zaustavi potpuno. Radni alat se može zakačiti i prouzročiti gubitak kontrole nad aparatom.

Prije svih radova na stroju izvaditi bateriju za zamjenu.

UPOZORENIE! Zbog izbjegavanja opasnosti od požara jednim kratkim spojem, opasnosti od ozljeda ili oštećenja proizvoda, alat, izmjenjivi akumulator ili napravu za punjenje ne uronjavati u tekućine i pobri- nite se za to, da u uređaje ili akumulator ne prodiru nikakve tekućine. Korozirajuće ili vodljive tekućine kao slana voda, određene kemikalije

i sredstva za bijeljenje ili proizvodi koji sadrže sredstva bijeljenja, mogu prouzročiti kratak spoj.

Baterije sistema M18 puniti samo sa uređajem za punjenje sistema M18. Ne puniti baterije iz drugih sistema.

Baterije za zamjenu i uređaje za punjenje ne otvarati i čuvati ih samo u suhim prostorijama. Čuvati protiv vlage.

BATERIJE

Baterije koje duže vremena nisu korištene, prije upotrebe napuniti.

Temperatura od preko 50°C smanjuje učinak baterija. Duže zagrijavanje od strane sunca ili grijanja izbjeci.

Priključne kontakte na uređaju za punjenje i baterijama držati čistima.

Za optimalni vijek trajanja se akumulatori poslije upotrebe moraju sasvim napuniti.

Za što moguće duži vijek trajanja, akumulatori se nakon punjenja moraju odstraniti iz punjača.

Kod skladištenja akumulatora duže od 30 dana: Akumulator skladištiti na suhom kod ca. 27°C.; Akumulator skladištiti kod ca. 30%-50% stanja punjenja.; Akumulator ponovno napuniti svakih 6 mjeseci.

Istrošene baterije za zamjenu ne bacati u vatru ili u kućno smeće. Milwaukee nudi mogućnost uklanjanja starih baterija odgovarajuće okolini. Milwaukee nudi mogućnost uklanjanja starih baterija odgovarajuće okolini; upitajte molimo Vašeg stručnog trgovca.

Baterije za zamjenu ne čuvati skupa sa metalnim predmetima (opasnost od kratkog spoja).

Pod ekstremnim opterećenjem ili ekstremne temperature može iz oštećenih baterija iscuriti baterijska tekućina. Kod dodira sa baterijskom tekućinom odmah isprati sa vodom i sapunom. Kod kontakta sa očima odmah najmanje 10 minuta temeljno ispirati i odmah potražiti liječnika.

U prostor za punjenje baterija u uređaju za punjenje ne smiju dospijeti metalni dijelovi (opasnost od kratkog spoja).

TRANSPORT LITIJSKIH IONSKIH BATERIJA

Litijske-ionske baterije spadaju pod zakonske odredbe u svezi transporta opasne robe.

Prijevoz ovih baterija mora uslijediti uz poštovanje lokalnih, nacionalnih i internacionalnih propisa i odredaba.

Korisnici mogu bez ustručavanja ove baterije transportirati po cestama.

Komercijalni transport litijsko-ionskih baterija od strane transportnih poduzeća spada pod odredbe o transportu opasne robe. Otpremničke pripreme i transport smiju izvoditi isključivo odgovarajuće školovane osobe. Kompletan proces se mora pratiti na stručan način.

Kod transporta baterija se moraju poštivati sljedeće točke:

Uvjerite se da su kontakti zaštićeni i izolirani kako bi se izbjegli kratki spojevi. Pazite na to, da blok baterija unutar pakiranja ne može proklizavati. Oštećene ili iscurjele baterije se ne smiju transportirati. U svezi ostalih uputa obratite se vašem prijevoznom poduzeću.

PROPIISNA UPOTREBA

Električni alat je predviđen za rezanje limova bez skidanja strugotine. Priklađan je za zakrivljene i ravne rezove.

ODRŽAVANJE

Prašinu i prljavštinu uvijek odstraniti s uređaja. Ručku držati čistom, suhom i bez ulja ili masnoća. Sredstva za čišćenje i otapala su štetna za plastiku i druge izolirajuće dijelove, stoga uređaj čistiti samo blagim sapunom i jednom vlažnom krpom. Nemojte nikada upotrebljavati goriva otapala u blizini uređaja.

Prereze za prozračivanje stroja uvijek držati čistima.

Primijeniti samo Milwaukee premu i Milwaukee rezervne dijelove. Sastavne dijelove, čija zamjena nije opisana, dati zamijeniti kod jedne od Milwaukee servisnih službi (poštivati brošuru Garancija/Adrese servisa).

Po potrebi se može zatražiti crtež eksplozije aparata uz davanje podataka o tipu stroja i desetoznamenastog broja na pločici snage kod Vaše servisne službe ili direktno kod Techtronic Industries GmbH, Max-Eyth-Straße 10, 71364 Winnenden, Germany.

CE-IZJAVA KONFORMNOSTI

Izjavljujemo pod vlastitom odgovornošću da proizvod opisan u odjeljku „Tehnički podaci“ ispunjava sve potrebne odredbe smjernica 2011/65/EU (RoHS)

2006/42/EC

2014/30/EU

i da su korišteni sljedeći usklađeni standardi 0

EN 62841-1:2015

EN 62841-2-8:2016

EN 55014-1:2017+A11:2020

EN 55014-2:2015

EN IEC 63000:2018



Winnenden, 2020-11-20

Alexander Krug / Managing Director

Ovlašten za formiranje tehničke dokumentacije.

Techtronic Industries GmbH

Max-Eyth-Straße 10, 71364 Winnenden, Germany



SIMBOLI



PAŽNJA! UPOZORENIE! OPASNOST!



Molimo da pažljivo pročitate uputu o upotrebi prije puštanja u rad.



Nositi zaštitne rukavice!



Kod radova na stroju uvijek nositi zaštitne naočale.



Prije svih radova na stroju izvaditi bateriju za zamjenu.



Oprema - u opsegu isporuke nije sadržana, preporučena dopuna iz promograma opreme.



Električni uređaji se ne smiju zbrinjavati skupa sa kućnim smećem. Električni uređaji se moraju skupljati odvojeno i predati na zbrinjavanje primjereno okolišu jednom od pogona za iskorišćavanje. Raspitajte se kod mjesnih vlasti ili kod stručnog trgovca u svezi gospodarstva za recikliranje i mjesta skupljanja.



Europski znak suglasnosti



Britanski znak suglasnosti



Ukrajinski znak suglasnosti



Euroazijski znak suglasnosti

TEHNISKIE DATI Akumulators - giljotīna	M18 BMS12	M18 BMS20
Izlaides numurs	4776 43 02... ... 000001-999999	4776 44 02... ... 000001-999999
Akumulātorā spriegums	18 V	18 V
Tukšgaitas apgriezienu skaits	0 - 2500 min ⁻¹	0 - 2500 min ⁻¹
Minimālais griezuma rādiuss	180 mm	180 mm
Maksimālā apgriešanas jauda	5,5 m/min	5,5 m/min
Tērauds 400 N/mm ² 600 N/mm ² 800 N/mm ²	1,2 mm 0,95 mm 0,8 mm	2,0 mm 1,6 mm 1,2 mm
Aluminijs 250 N/mm ²	2,0 mm	3,2 mm
Svars atbilstoši EPTA -Procedure 01/2014 (2,0 Ah)	2,3 kg	2,34 kg
Darbībai ieteicamā apkārtnes temperatūra Ieteicamie akumulatoru komplekti Ieteicamās uzlādes ierīces	-18°C ... +50°C M18B... M12-18...	-18°C ... +50°C M18B... M12-18...
Trokšņu informācija Vērtības, kas noteiktas saskaņā ar EN 62841. A novērtētās aparatūras skaņas līmenis ir:		
Trokšņa spiediena līmenis (Nedrošība K=3dB(A))	78,2 dB (A)	78,2 dB (A)
Trokšņa jaudas līmenis (Nedrošība K=3dB(A))	89,2 dB (A)	89,2 dB (A)
Nēsāt trokšņa slāpētāju!		
Vibrācijas informācija Svārstību kopējā vērtība (Trīs virzienu vektoru summtiek noteikta atbilstoši EN 62841.)		
svārstību emisijas vērtība a _h	4,75 m/s ²	7,07 m/s ²
Nedrošība K=	1,5 m/s ²	1,5 m/s ²



UZMANĪBU

Vibrācijas un trokšņa emisijas līmenis šajā informācijas lapā ir izmērīts saskaņā ar EN 62841 standarta testa metodi un var tikt izmantots, lai salīdzinātu vienu ierīci ar otru. Tās var tikt izmantotas ietekmes sākotnējai izvērtēšanai.

Norādītais vibrācijas un trokšņa emisijas līmenis attēlo ierīces galvenos izmantošanas veidus. Tomēr, ja ierīce tiek izmantota citiem mērķiem, ar citu papildaprīkojumu vai nepareizi apkalpota, vibrācijas un trokšņa emisija var atšķirties. Tas var ievērojami paaugstināt ietekmes līmeni visā darba laikā.

Novērtējot vibrācijas un trokšņa ietekmes līmeni, vajadzētu ņemt vērā arī laiku, kad ierīce ir izslēgta vai ieslēgta, taču netiek lietota. Tas var ievērojami samazināt ietekmes līmeni visā darba laikā.

Lai aizsargātu operatoru no vibrācijas un/vai trokšņa, veiciet papildu drošības pasākumus, piemēram, veiciet apkopi ierīcei un papildaprīkojumam, uzturiet rokas siltas, organizējiet darba grafiku.

⚠ UZMANĪBU! Izlasiet visu drošības instrukciju un lietošanas pamācību klāt. Turpmāk sniegto norādījumu neievērošana var kļūt par cēloni elektriskajam triecienam, ugunsgrēkam un/vai smagam savainojumam.
Pēc izlasīšanas uzglabājiet šos noteikumus turpmākai izmantošanai.

⚠ DROŠĪBAS NOTEIKUMI GILJOTĪNAI

Izmantojiet ierīci, piederumus un ievietojamās detaļas saskaņā ar to lietošanas instrukciju. Turklāt ievērojiet darba apstākļus un nosacījumus attiecībā uz veicamo darbu! Ierīču izmantošana citām instrukcijā neminētām darbībām var radīt bīstamas situācijas.

Strādājot ar mašīnu, vienmēr jānēsā aizsargbrilles. Tiek ieteikts nēsāt arī aizsargcimdus, slēgtus, neslidošus apavus un priekšautu.

Fiksējiet apstrādājamo materiālu ar fiksācijas aprīkojumu. Nenostiprināti materiāli var izraisīt smagus savainojumus un bojājumus.

Griežot, turiet instrumentu tā, ka smeņi ir ciešā kontaktā ar materiālu ātrāko griešanai. Piesakies pat spiedienu. Pārāk liels spiediens mēdz ievājināt funkcijas vai radīt aptuvenu samazināt.

Lūdzu, ievērojiet to, ka mašīna pie noslogojuma atkrišanas atkal patstāvīgi atgriežas tās sākotnējā darba apgriezienu skaitā. Nekad nenolieciet elektroinstrumentu malā, pirms nav pilnībā apstājies darba instruments. Ievietojamās detaļas var aizkerties, tādējādi tas var izraisīt kontroles zaudēšanu pār šo ierīci.

Pirms mašīnai veikt jebkāda veida apkopes darbus, ir jāizņem ārā akumulators.

UZMANĪBU! Lai novērstu īssavienojuma izraisītu aizdegšanās, savainojumu vai produkta bojājuma risku, neiegremdējiet instrumentu, maināmo akumulatoru vai uzlādes ierīci šķidrums un rūpējieties

par to, lai ierīcēs un akumulatoros neieklūtu šķidrums. Koroziju izraisoši vai vadītspējīgi šķidrumi, piemēram, sālsūdens, noteiktas ķīmikālijas, balinātāji vai produkti, kas satur balinātājus, var izraisīt issavienojumu.

M18 sistēmas akumulatorus lādēt tikai ar M18 sistēmas lādētājiem. Nedrīkst lādēt citus akumulatorus no citām sistēmām.

Akumulatorus un lādētājus nedrīkst taisīt vaļā un tie jāuzglabā sausās telpās.

AKUMULĀTORI

Akumulatori, kas ilgāku laiku nav izmantoti, pirms lietošanas jāuzlāde.

Pie temperatūras, kas pārsniedz 50°C, akumulatoru darbība tiek negatīvi ietekmēta. Vajag izvairīties no ilgākas saules un karstuma iedarbības.

Lādētāja un akumulatoru pievienojuma kontakti jāuztur tīri.

Lai baterijas darba ilgums būtu optimāls, pēc iekārtas izmantošanas tā jāuzlāde.

Lai akumulatori kalpotu pēc iespējas ilgāku laiku, tos pēc uzlādes ieteicams atvienot no lādētāj ierīces.

Akumulatora uzglabāšana ilgāk kā 30 dienas: uzglabāt akumulatoru pie aptuveni 27°C un sausā vietā.; Uzglabāt akumulatoru uzlādes stāvoklī aptuveni pie 30%-50%.; Uzlādēt akumulatoru visus 6 mēnešus no jauna.

Izmantotos akumulārus nedrīkst mest uguni vai parastajos atkritumos. Firma Milwaukee piedāvā iespēju vecos akumulatorus savākt apkārtnējo vidi saudzējošā veidā; jautājiet specializētā veikalā.

Akumulatorus nav ieteicams glabāt kopā ar metāla priekšmetiem (iespējams īsslēgums).

Pie ārkārtas slodzes un ārkārtas temperatūrām no bojātā akumulatora var izteciēt akumulatora šķidrums. Ja nonākat saskarsmē ar akumulatora šķidrumu, saskarsmes vieta nekavējoties jānomazgā ar ūdeni un ziepēm. Ja šķidrums nonācis acīs, acis vismaz 10 min. skalot un nekavējoties konsultēties ar ārstu.

Jāuzmanās, lai akumulatoru lādētājā nenokļūtu nekādi metāla priekšmeti (iespējams īsslēgums).

LITĪJA JONU AKUMULATORU TRANSPORTĒŠANA

Uz litija jonu akumulatoriem attiecas noteikumi par bīstamo kravu pārvadāšanu.

Šo akumulatoru transportēšana jāveic saskaņā ar vietējiem, valsts un starptautiskajiem normatīvajiem aktiem un noteikumiem.

Patērētāja darbības, pārvadājot šos akumulatorus pa autoceļiem, nav reglamentētas.

Uz litija jonu akumulatoru komerciālu transportēšanu, ko veic ekspedīcijas uzņēmums, attiecas bīstamo kravu pārvadāšanas noteikumi. Sagatavošanas darbus un transportēšanu drīkst veikt tikai atbilstoši apmācīts personāls. Viss process jāvada profesionāli.

Veicot akumulatoru transportēšanu, jāievēro:

Pārlicinieties, ka kontakti ir aizsargāti un izolēti, lai izvairītos no issavienojumiem. Pārlicinieties, ka akumulators iepakojumā nevar paslidēt. Bojātus vai tekošus akumulatorus nedrīkst transportēt. Plašāku informāciju Jūs varat saņemt no ekspedīcijas uzņēmuma.

NOTEIKUMIEM ATBILSTOŠS IZMANTOJUMS

Elektroinstrumenti ir paredzēti skārdā griešanai bez skaidām un atgriezumiem. Tas ir piemērots taisnu un liektu griezumu veidošanai.

APKOPE

Notīriet no iekārtas putekļus un citus gružus. Uzturiet iekārtas rokturi tīru, sausu un netaukainu. Iekārtas tīrīšanai izmantojiet maigas ziepes un mitru lupatīņu, jo daži tīrīšanas līdzekļi un šķīdinātāji ir kaitīgi plastmasas un citām izolētām daļām. Iekārtas tuvumā nekad nelietojiet uzliesmojošus vai ugunsnedrošus šķīdinātājus.

Vajag vienmēr uzmanīti, lai būtu tīras dzesēšanas atveres.

Izmantojiet tikai firmu Milwaukee piederumus un firmas Milwaukee rezerves daļas. Lieciet nomainīt detaļas, kuru nomaīņa nav aprakstīta, kādā no firmu Milwaukee klientu apkalpošanas servisiem. (Skat. brošūru „Garantija/klientu apkalpošanas serviss”).

Ja nepieciešams, klientu apkalpošanas servisa vai tieši pie firmas Techtronic Industries GmbH, Max-Eyth-Straße 10, 71364 Winnenden, Germany, var pieprasīt instrumenta numurs, kas norādīts uz jaudas paneļa.

ATBILSTĪBA CE NORMĀM

Mēs ar pilnu atbildību paziņojam, ka izstrādājums, kas raksturots sadaļā „Tehniskie dati”, atbilst visām attiecīgajām prasībām direktīvās 2011/65/ES (RoHS)

2006/42/ES

2014/30/ES

un ir piemēroti šādi saskaņotie standarti 0

EN 62841-1:2015

EN 62841-2-8:2016

EN 55014-1:2017+A11:2020

EN 55014-2:2015

EN IEC 63000:2018



Winnenden, 2020-11-20

Alexander Krug / Managing Director

Pilnvarotais tehniskās dokumentācijas sastādīšanā.

Techtronic Industries GmbH

Max-Eyth-Straße 10, 71364 Winnenden, Germany

SIMBOLI



UZMANĪBU! BĪSTAMI!



Pirms sākt lietot instrumentu, lūdzu, izlasiet lietošanas pamācību.



Jāvalkā aizsargcimdi!



Strādājot ar mašīnu, vienmēr jānēsā aizsargbrilles.



Pirms mašīnai veikt jebkāda veida apkopes darbus, ir jāizņem arī akumulātors.



Piederumi - standartaprīkojumā neietvertās, bet ieteicamās papildus komplektācijas detaļas no piederumu programmas.



Elektroiekārtas nedrīkst izmest kopā ar sadzīves atkritumiem. Elektriskās un elektroniskās iekārtas ir jāsavāc atsevišķi un jānodod pārstrādes uzņēmumam, kas no tām atbrivosies dabai draudzīgā veidā. Meklējiet otrreizējās pārstrādes poligonus un savākšanas punktus vietējās pārvaldes iestādēs vai pie preces pārdevēja.



Eiropas atbilstības zīme



Lielbritānijas atbilstības zīme



Ukrainas atbilstības zīme

001



Eirāzijas atbilstības zīme



TECHNINIAI DUOMENYS Akumuliatorinės žirklys skardai		M18 BMS12	M18 BMS20
Produkto numeris		4776 43 02... ... 000001-999999	4776 44 02... ... 000001-999999
Keičiamo akumuliatoriaus įtampa		18 V	18 V
Sūkių skaičius laisva eiga		0 - 2500 min ⁻¹	0 - 2500 min ⁻¹
Mažiausias pjovimo spindulys		180 mm	180 mm
Maks. kirpimo našumas		5,5 m/min	5,5 m/min
Plieną 400 N/mm ²		1,2 mm	2,0 mm
600 N/mm ²		0,95 mm	1,6 mm
800 N/mm ²		0,8 mm	1,2 mm
Aliuminis 250 N/mm ²		2,0 mm	3,2 mm
Prietaiso svoris įvertintas pagal EPTA 01/2014 tyrimų metodiką (2,0 Ah)		2,3 kg	2,34 kg
Rekomenduojama aplinkos temperatūra eksploatuojant		-18°C ... +50°C	-18°C ... +50°C
Rekomenduojami akumuliatoriai		M18B...	M18B...
Rekomenduojami įkrovikliai		M12-18...	M12-18...
Informacija apie keliamą triukšmą Vertės matuotos pagal EN 62841. Įvertintas A įrenginio keliamo triukšmo lygis dažniausiai sudaro:			
Garso slėgio lygis (Paklaida K=3dB(A))		78,2 dB (A)	78,2 dB (A)
Garso galios lygis (Paklaida K=3dB(A))		89,2 dB (A)	89,2 dB (A)
Nešioti klausos apsaugines priemones!			
Informacija apie vibraciją Bendroji svyravimų reikšmė (trijų krypčių vektorių suma), nustatyta remiantis EN 62841.			
Vibravimų emisijos reikšmė a _h		4,75 m/s ²	7,07 m/s ²
Paklaida K=		1,5 m/s ²	1,5 m/s ²



DĖMESIO

Šiame vadove nurodytos bendrosios vibracijos ir triukšmo emisijos vertės nustatytos pagal standartinius bandymo metodus pagal EN 62841, todėl gali būti taikomos lyginant vieną įrankį su kitu. Gali būti naudojama preliminariam poveikio įvertinimui.

Nurodytos bendrosios vibracijos ir triukšmo emisijos vertės atitinka įrankio taikymą. Jei įrankis naudojamas kitokiais tikslais, kartu su kitokiais priedais ar netinkamai prižiūrimas, bendrosios vibracijos ir triukšmo emisijos vertės gali skirtis. Tai gali žymiai padidinti poveikio lygį viso darbo metu.

Apskaučiuojant bendrosios vibracijos ir triukšmo emisijos vertes reikėtų atsižvelgti į laikotarpį, kai prietaisas yra išjungtas arba įjungtas, bet nėra naudojamas. Tai gali žymiai sumažinti poveikio lygį viso darbo metu.

Tam, kad naudotojas būtų apsaugotas nuo vibracijos ir (arba) triukšmo poveikio, reikia nustatyti papildomus saugos reikalavimus, pavyzdžiui: tinkamai prižiūrėti prietaisą ir jo priedus, laikyti rankas šiltai, organizuoti darbo modelius.

⚠ DĖMESIO! Perskaitykite visas saugumo pastabas ir nurodymus. Jei nepaisysite toliau pateiktų nurodymų, gali kilti elektros smūgio, gaisro ir /arba sunkių sužalojimų pavojus.
Išsaugokite šias saugos nuorodas ir reikalavimus, kad ir ateityje galėtumėte jais pasinaudoti.

⚠ ŽIRKLIŲ SKARDAI NAUDOJIMO SAUGOS NURODYMAI

Prietaisą, priedus, įstatomus įrankius ir pan. naudokite, laikydamiesi šios instrukcijos nurodymų. Atsivėlkite į darbo sąlygas ir atliekamą operaciją. Prietaisų naudojimas ne pagal paskirtį gali sukelti pavojingas situacijas.

Dirbdami su įrenginiu visada nešiokite apsauginius akinius. Rekomenduotina nešioti apsaugines pirštines, tvirtus batus neslidžiu padu bei prijuostę.

Ruošinį užfiksuokite įtempimo įrenginiu. Neufiksuoti ruošiniai gali sunkiai sužaloti ir būti pažeidimų priežastimi.

Pjaunant, palaikykite nuorodą taip, kad ašmenys yra tvirto kontakto su sparčiausiai pjovimo medžiagos. Taikoma net spaudimai. Per daug spaudimo bus linke užstrigti nuorodą arba sukelti grubus pjūvis.

Atkreipkite dėmesį, kad po perkrovos įrenginiui automatiškai gįžta pradinis darbo greitis. Niekada nepadėkite elektrinio įrankio tol, kol darbo įrankis visiškai nusustos. Įstatomas įrankis gali užstrigti, todėl prietaisas gali tapti nebekontroliuojamas.

Prieš atlikdami bet kokius darbus įrenginyje, išimkite keičiamą akumuliatorių.

DĖMESIO! Siekdami išvengti trumpojo jungimo sukeliama gaisro pavojaus, sužalojimų arba produkto pažeidimų, neikiškite įrankio, keičiamo akumuliatoriaus arba įkroviklio į skysčius ir pasirūpinkite, kad į prietaisus arba akumuliatorius nepatektų jokių skysčių. Korozija

sukeliantys arba laidūs skysčiai, pvz., sūrus vanduo, tam tikri chemikalai ir balikliai arba produktai, kurių sudėtyje yra baliklių, gali sukelti trumpąjį jungimą.

Keičiamus M18 sistemos akumulatorius kraukite tik „M18“ sistemos įkrovikliais. Nekraukite kitų sistemų akumulatorių.

Keičiamų akumulatorių ir įkroviklių nelaikykite atvirai. Laikykite tik sausoje vietoje. Saugokite nuo drėgmės.

AKUMULATORIAI

Ilgesnį laiką nenaudotus keičiamus akumulatorius prieš naudojimą įkraukite.

Aukštesnė nei 50°C temperatūra mažina keičiamų akumulatorių galią. Venkite ilgėsio saulės ar šilumos šaltinių poveikio.

Įkroviklio ir keičiamo akumulatoriaus jungiamieji kontaktai visada turi būti švarūs.

Kad prietaisas kuo ilgiau veiktų, pasinaudoję juo, iki galo įkraukite akumulatorius.

Siekiant užtikrinti kuo ilgesnį baterijos tarnavimo laiką, reikėtų ją po atlikto įkrovimo iškart išimti iš įkroviklio.

Bateriją laikant ilgiau nei 30 dienų, būtina atkreipti dėmesį į šias nuorodas: bateriją laikyti sausoje aplinkoje, esant apie 27 °C temperatūrai.; Baterijos įkrovimo lygis turi būti nuo 30% iki 50%.; Baterija pakartotinai turi būti įkraunama kas 6 mėnesius.

Sunaudotų keičiamų akumulatorių nedeginkite ir nemeskite į buitines atliekas. „Milwaukee“ siūlo tausojantį aplinką sudėvėtų keičiamų akumulatorių tvarkymą, apie tai prekybos atstovo.

Keičiamų akumulatorių nelaikykite kartu su metaliniais daiktais (trumpojo jungimo pavojus).

Ekstremalių apkrovų arba ekstremalios temperatūros poveikyje iš keičiamų akumulatorių gali ištekti akumulatoriaus skystis. Išsitempus akumulatoriaus skysčiu, tuoj pat nuplaukite vandeniu su muilu. Patekus į akis, tuoj pat ne trumpiau kaip 10 minučių gausiai skalaukite vandeniu ir tuoj pat kreipkitės į gydytoją.

Į įkroviklių keičiamiems akumulatoriams įstatymui skirtą vamzdį turi nepatekti jokios metalinės dalys (trumpojo jungimo pavojus).

LICIO JONŲ AKUMULATORIŲ PERVEŽIMAS

Licio jonų akumulatoriams taikomos įstatyminės nuostatos dėl pavojingų krovinių pervežimų.

Šiuos akumulatorius pervežti būtina laikantis vietinių, nacionalinių ir tarptautinių direktyvų ir nuostatų.

Naudotojai šiuos akumulatorius gali naudoti savo transporte be jokių kitų sąlygų.

Už komercinį licio jonų akumulatorių pervežimą atsako ekspedicijos įmonė pagal nuostatas dėl pavojingų krovinių pervežimo. Pasiruošimo išsiųsti ir pervežimo darbus gali atlikti tik atitinkamai išmokyti asmenys. Visas procesas privalo būti prižiūrimas.

Pervežant akumulatorius būtina laikytis šių punktų:

Siekiant išvengti trumpųjų jungimų, įsitikinkite, kad kontaktai yra apsaugoti ir izoliuoti. Atkreipkite dėmesį, kad akumulatorius pakuotės viduje neslidinėtų. Draudžiama pervežti pažeistus arba tekančius akumulatorius. Dėl detalesnių nurodymų kreipkitės į savo ekspedicijos įmonę.

NAUDOJIMAS PAGAL PASKIRTĮ

Elektrinis prietaisas yra skirtas skardai kirpti be kerpamos medžiagos nuostolių (nesusidaro drožlių). Jis tinka figūriniams ir tiesiems pjūviams atlikti.

TECHNINIS APTARNAVIMAS

Nuo prietaiso nuolat valykite dulkes ir nešvarumus. Rankena turi būti švari, sausa ir nesutepta alyva ar tepalu. Valymo priemonės ir tirpikliai kenkia plastmasei ir izoliuojančioms detalėms, todėl prietaisą valydami naudokite tik švelnų muilą ir drėgną pašluostę. Niekada nesinaudokite degiais tirpikliais būdami šalia prietaiso.

Įrenginio vėdinimo angos visada turi būti švarios.

Naudokite tik „Milwaukee“ priedus ir „Milwaukee“ atsarginės dalis. Dalis, kurių keitimas neaprašytas, leidžiama keisti tik „Milwaukee“ klientų aptarnavimo skyriams (žr. garantiją/klientų aptarnavimo skyrių adresus brošiuroje).

Jei reikia, nurodant įrenginio tipą bei specifikacijų lentelėje esantį numerį, iš klientų aptarnavimo skyriaus arba tiesiai iš Techtronic Industries GmbH, Max-Eyth-Straße 10, 71364 Winnenden, Germany, galima užsisakyti prietaiso surinkimo brėžinius.

CE ATITIKTIKTES PAREIŠKIMAS

Priisiimdami visą atsakomybę pareiškiamo, kad gaminyje, aprašytas „Techniniuose duomenyse“, atitinka taikomus reikalavimus, išdėstytus direktyvose

2011/65/ES (RoHS)

2006/42/EB

2014/30/ES

ir buvo taikyti šie darnieji standartai 0

EN 62841-1:2015

EN 62841-2-8:2016

EN 55014-1:2017+A11:2020

EN 55014-2:2015

EN IEC 63000:2018



Winnenden, 2020-11-20

Alexander Krug / Managing Director
Įgaliotas parengti techninius dokumentus.

Techtronic Industries GmbH

Max-Eyth-Straße 10, 71364 Winnenden, Germany



SIMBOLIAI



DĖMESIO! ĮSPĖJIMAS! PAVOJUS!



Prieš pradėdami dirbti su prietaisu, atidžiai perskaitykite jo naudojimo instrukciją.



Lietojiet aizsardzības cimdus!



Dirbdami su įrenginiu visada nešiokite apsauginius akinius.



Prieš atlikdami bet kokius darbus įrenginyje, išimkite keičiamą akumuliatorių.



Priedas – neįeina į tiekimo komplektaciją, rekomenduojamas papildymas iš priedų asortimento.



Elektros prietaisų negalima išmesti kartu su buitinėmis atliekomis. Būtina rūšiuoti elektros ir elektroninius prietaisus ir atiduoti į atliekų perdirbimo centrą, kad jie būtų utilizuoti neteršiant aplinkos. Informacijos apie perdirbimo centrus ir atliekų surinkimo įstaigas teiraukitės vietos įstaigoje arba prekybininko.



Europos atitikties ženklas



Britanijos atitikties ženklas



Ukrainos atitikties ženklas



Eurazijos atitikties ženklas



TEHNILISED ANDMED Aku-plekikäärid	M18 BMS12	M18 BMS20
Tootmisnumber	4776 43 02... ... 000001-999999	4776 44 02... ... 000001-999999
Vahetatava aku pinge	18 V	18 V
Pöörlemiskiirus tühijooksul	0 - 2500 min ⁻¹	0 - 2500 min ⁻¹
Vähim löikeraadius	180 mm	180 mm
Löikevõimsus max	5,5 m/min	5,5 m/min
Teras 400 N/mm ²	1,2 mm	2,0 mm
600 N/mm ²	0,95 mm	1,6 mm
800 N/mm ²	0,8 mm	1,2 mm
Alumiinium 250 N/mm ²	2,0 mm	3,2 mm
Kaal vastavalt EPTA-protseduurile 01/2014 (2,0 Ah)	2,3 kg	2,34 kg
Soovituslik keskkonna temperatuur töötamiseks	-18°C ... +50°C	-18°C ... +50°C
Soovituslikud akupakid	M18B...	M18B...
Soovituslik laadija	M12-18...	M12-18...
Müra andmed Mööteväärtused on kindlaks tehtud vastavalt normile EN 62841. Seadme tüüpiline hinnanguline (müratase):		
Heli rõhutase (Määramatus K=3dB(A))	78,2 dB (A)	78,2 dB (A)
Helivõimsuse tase (Määramatus K=3dB(A))	89,2 dB (A)	89,2 dB (A)
Kandke kaitseks kõrvaklappe!		
Vibratsiooni andmed Vibratsiooni koguväärtus (kolme suuna vektorsummamöödetud EN 62841 järgi).		
Vibratsiooni emissiooni väärtus a _v	4,75 m/s ²	7,07 m/s ²
Määramatus K=	1,5 m/s ²	1,5 m/s ²



TÄHELEPANU

Sellel teabelehel toodud vibratsiooni- ja müraemissioon on möödetud standardis EN 62841 kirjeldatud standarditud testiga ning seda võib kasutada tööriistade omavaheliseks võrdlemiseks. Testi võib kasutada kokkupuute esialgseks hindamiseks.

Deklareeritud vibratsiooni- ja müratase puudutab tööriista põhikasutust. Kui tööriista kasutatakse muuks otstarbeks, teistsuguste tarvikutega või tööriista hooldatakse halvasti, võivad vibratsioon ja müraemissioon erineda. See võib kokkupuutetaset kogu tööajal oluliselt suurendada.

Vibratsiooni ja müraga kokkupuute hinnangulise taseme juures tuleb arvesse võtta ka aega, kui tööriist on välja lülitatud või töötab, kuid sellega ei tehta tööd. See võib kokkupuutetaset kogu tööaja kohta oluliselt vähendada.

Tehke kindlaks täiendavad ohutusmeetmed operaatori kaitsmiseks vibratsiooni ja/või müra eest, näiteks: hooldage tööriista ja tarvikuid, hoidke käed soojas, vaadake üle töökorraldus.

⚠ TÄHELEPANU! Lugege kõik ohutusnõuanded ja juhendid läbi. Järgnevalt toodud juhiste eiramise tagajärjeks võib olla elektrilööki, tulekahju ja/või raskest vigastused.
Hoidke kõik ohutusnõuded ja juhised edasiseks kasutamiseks hoolikalt alles.

⚠ OHUTUSJUHISED PLEKIKÄÄRIDE KOHTA

Kasutage seadet, tarvikuid, kasutusööriistu jms vastavalt käesolevatele korraldustele. Arvestage seejuures töötingimustega ning teostatava tegevuse iseloomuga. Seadmete kasutamine muudeks kui ettenähtud rakendusteks võib põhjustada ohtlikke olukordi.

Masinaga töötades kandke alati kaitseprille. Soovitatavad on kaitsekindad, tugevad ja libisemiskindlad jalanõud ning põll.

Kinnitage toorik kinnipingutusseadisega. Kinnitamata toorikud võivad raskeid vigastusi ja kahjustusi põhjustada.

Niitmise ajal hoidke tööriista nii, et labad on kindlalt kontaktis materjali kiiremini lõikamine. Rakenda isegi survet. Liiga palju rõhku kipuvad moosi näitaja või põhjustada töötlemata lõigatud.

Palun pidage silmas, et masin taastab koormuse kadumisel iseseisvalt esialgsele tööpoolele. Ärge pange seadet kunagi enne käest, kui instrument on täielikult seisma jäänud. Kasutusööriistad võivad kinni haakuda ja põhjustada kontrolli kaotamist seadme üle.

Enne kõiki töid masina kallal võtke vahetatav aku välja.

TÄHELEPANU! Lühisest põhjustatud tuleohtu, vigastuste või toote kahjustuste vältimiseks ärge kastke tööriista, vahetusakut ega laadimiseadet vedelikku ning jälgige, et vedelikke ei tungiks seadmetesse ega akusse. Korrodeeruvad või elektrit juhtivad vedelikud, nagu soolvesi, teatud kemikaalid ja pleegitusained või pleegitusained sisaldavad tooted, võivad põhjustada lühisid.

Laadige süsteemi M18 vahetatavaid akusid ainult süsteemi M18 laadijatega. Ärge laadige nendega teiste süsteemide akusid.

Ärge avage vahetatavaid akusid ega laadijaid ning ladustage neid ainult kuivades ruumides. Kaitske niiskuse eest.

AKUD

Pikemat aega mittekasutatud akusid laadige veel enne kasutamist.

Temperatuur üle 50 °C vähendab vahetatava aku töövõimet. Vältige pikemat soojenemist päikese või kütteseadme mõjul.

Hoidke laadija ja vahetatava aku ühenduskontaktid puhtad.

Optimaalse patareie eluaega tagamiseks, pärast kasutamist lae patareiplokk täielikult.

Akud tuleks võimalikult pika kasutusea saavutamiseks pärast täislaadimist laadijast välja võtta.

Aku ladustamisel üle 30 päeva: Ladustage akut kuivas kohas u 27°C juures.; Ladustage akut u 30-50% laetusseisundis.; Laadige aku iga 6 kuu tagant täis.

Ärge visake tarvitatud vahetatavaid akusid tulle ega olmeprügisse. Milwaukeee pakub vanade akude keskkonnahoidlikku käitlust; palun küsige oma erialaselt tarnijalt.

Ärge säilitage vahetatavaid akusid koos metallsemetega (lühiseoht).

Äärmuslikul koormusel või äärmuslikul temperatuuril võib kahjustatud vahetatavast akust akuvedelik välja voolata. Akuvedelikuga kokkupuutumise korral peske kohe vee ja seebiga. Silma sattumise korral loputage kiiresti põhjalikult vähemalt 10 minutit ning pöörduge viivitamatult arsti poole.

Laadijal olevasse vahetatava aku ühenduskambrisse ei tohi sattuda metallosi (lühiseoht).

LIITIUMIOONAKUDE TRANSPORTIMINE

Liitiumioonakud on allutatud ohtlike ainete transportimisega seonduvatele õigusaktidele.

Nende akude transportimine peab toimuma kohalikest, siseriiklikest ja rahvusvahelistest eeskirjadest ning määrustest kinni pidades. Tarbijad tohivad neid akusid edasiste piiranguteta tänaval transportida.

Liitiumioonakude komertstransport ekspedeerimisettevõtete kaudu on allutatud ohtlike ainete transportimisega seonduvatele õigusaktidele. Tarne-ettevalmistusi ja transporti tohivad teostada eranditult vastavalt koolitatud isikud. Kogu protsessi tuleb asjatundlikult jälgida.

Akude transportimisel tuleb järgida järgmisi punkte:

Tehke kindlaks, et kontaktid on lühiste vältimiseks kaitsitud ja isoleeritud. Pöörake tähelepanu sellele, et akupakk ei saaks pakendis niikhuda. Kahjustatud või välja voolanud akusid ei tohi kasutada. Pöörduge edasiste juhiste saamiseks ekspedeerimisettevõtte poole.

KASUTAMINE VASTAVALT OTSTARBELE

Seade on ette nähtud pleki lõikamiseks, ilma et tekiks laastukadu. Seade sobib sirg- ja figuurilõigete tegemiseks.

HOOLDUS

Pühki tolm ja praht seadest. Hoi a selle käepidemeid puhtad, kuivad ja õli- või rasvavabad. Seadme puhastamiseks kasuta ainult õrnat seepi ja niisket lapikest, kuna teatud puhastusvahendid ja lahustid on plastmassile ja teistele isoleeritud osadele kahjulikud. Mitte kunagi ära kasuta kergsüttivaid lahusteid seadmete juures.

Hoidke masina õhutuspilud alati puhtad.

Kasutage ainult Milwaukeee tarvikuid ja Milwaukeee tagavaraosi. Detailid, mille väljavahetamist pole kirjeldatud, laske välja vahetada Milwaukeee klienditeeninduspunktis (vaadake brošüüri garantii / klienditeeninduste aadressid).

Vajaduse korral võite tellida seadme läbilõikejoonise, näidates ära masina tüübi ja andmesildil oleva numbr. Selleks pöörduge klienditeeninduspunkti või otse: Techtronic Industries GmbH, Max-Eyth-Straße 10, 71364 Winnenden, Germany.

EÜ VASTAVUSAVALDUS

Kinnitame oma ainuvastutusel, et „Tehniliste andmete“ all kirjeldatud toode vastab direktiivide kõigile asjakohastele sätetele 2011/65/EÜ (RoHS)

2006/42/EÜ

2014/30/EÜ

ning täidetud on järgmiste ühtlustatud standardite nõuded.

EN 62841-1:2015

EN 62841-2-8:2016

EN 55014-1:2017+A11:2020

EN 55014-2:2015

EN IEC 63000:2018



Winnenden, 2020-11-20

Alexander Krug / Managing Director

On volitatud koostama tehnilist dokumentatsiooni.

Techtronic Industries GmbH

Max-Eyth-Straße 10, 71364 Winnenden, Germany

SÜMBOLID



ETTEVAATUST! TÄHELEPANU! OHUD!



Palun lugege enne käikulaskmist kasutamisjuhend hoolikalt läbi.



Kanda kaitsekindaid!



Masinaga töötades kandke alati kaitseprille.



Enne kõiki töid masina kallal võtke vahetatav aku välja.



Tarvikud - ei kuulu tarne komplekti, soovitatav täiendus on saadaval tarvikute programmis.



Elektriseadmeid ei tohi utiliseerida koos majapidamisprügiga. Elektrilised ja elektroonilised seadmed tuleb eraldi kokku koguda ning keskkonnasõbralikuks utiliseerimiseks vastavas käitlusettevõttes ära anda. Küsige kohalikest pädevatest ametitest või edasimüüjalt käitlusjaamade ja kogumispunktide kohta järele.



Euroopa vastavusmärk



Ühendkuningriigi vastavusmärk



Ukraina vastavusmärk



Euraasia vastavusmärk



ТЕХНИЧЕСКИЕ ДАННЫЕ Аккумуляторные листовые ножницы		M18 BMS12	M18 BMS20
Серийный номер изделия		4776 43 02... ... 000001-999999	4776 44 02... ... 000001-999999
Вольтаж аккумулятора		18 V	18 V
Число оборотов без нагрузки		0 - 2500 min ⁻¹	0 - 2500 min ⁻¹
Минимальный радиус резания		180 mm	180 mm
Ноперечное сечение заготовки макс.		5,5 m/min	5,5 m/min
Стали 400 N/mm ² 600 N/mm ² 800 N/mm ²		1,2 mm	2,0 mm
		0,95 mm	1,6 mm
		0,8 mm	1,2 mm
Алюминий 250 N/mm ²		2,0 mm	3,2 mm
Вес согласно процедуре EPTA 01/2014 (2,0 Ah)		2,3 kg	2,34 kg
Температура окружающей среды, рекомендованная для эксплуатации Рекомендованные аккумуляторные блоки Рекомендованные зарядные устройства		-18°C ... +50°C M18B... M12-18...	-18°C ... +50°C M18B... M12-18...
Информация по шумам Значения замерялись в соответствии со стандартом EN 62841. Уровень шума прибора, определенный по показателю A, обычно составляет:			
Уровень звукового давления (Небезопасность K=3dB(A))		78,2 dB (A)	78,2 dB (A)
Уровень звуковой мощности (Небезопасность K=3dB(A))		89,2 dB (A)	89,2 dB (A)
Пользуйтесь приспособлениями для защиты слуха.			
Информация по вибрации Общие значения вибрации (векторная сумма трех направлений) определены в соответствии с EN 62841.			
Значение вибрационной эмиссии a _h		4,75 m/s ²	7,07 m/s ²
Небезопасность K=		1,5 m/s ²	1,5 m/s ²



ВНИМАНИЕ

Заявленные значения вибрации и шумового излучения, указанные в настоящем информационном листе, были измерены согласно стандартизированному методу испытания согласно EN 62841 и могут использоваться для сравнения одного инструмента с другим. Они могут применяться для предварительной оценки воздействия на организм человека.

Указанные значения вибрации и шумового излучения действительны для основных областей применения инструмента. Однако если инструмент используется в других областях применения или с другими принадлежностями либо проходит ненадлежащее обслуживание, значения вибрации и шумового излучения могут отличаться. Это может существенно увеличить уровень воздействия на организм на протяжении общего периода работы.

При оценке уровня воздействия вибрации и шумового излучения на организм также необходимо учитывать периоды, когда инструмент выключен, или когда он работает, но фактически не используется для выполнения работы. Это может существенно сократить уровень воздействия на организм на протяжении общего периода работы.

Определите дополнительные меры для защиты оператора от воздействия вибрации и/или шума, такие как обслуживание инструмента и его принадлежностей, сохранение рук в тепле, организация графиков работы.

⚠ ВНИМАНИЕ! Ознакомьтесь со всеми указаниями по безопасности и инструкциями При несоблюдении нижеприведенных указаний возможно поражение электротоком, возникновение пожара и/или получение серьезных травм. **Сохраняйте эти инструкции и указания для будущего использования.**

⚠ УКАЗАНИЯ ПО ТЕХНИКЕ БЕЗОПАСНОСТИ ДЛЯ ЛИСТОВЫХ НОЖНИЦ

Используйте устройство, принадлежности, вставные инструменты т. д. в соответствии с этими указаниями. При этом учитывайте условия работы и операции, которые необходимо

выполнить. Использование устройств в целях, отличных от предусмотренных, может привести к возникновению опасных ситуаций.

При работе с инструментом всегда надевайте защитные очки. Рекомендуется надевать перчатки, прочные нескользящие ботинки и фартук.

Зафиксируйте вашу заготовку с помощью зажимного приспособления. Незафиксированные заготовки могут привести к тяжелым травмам и повреждениям.

При резке, держите инструмент так, чтобы лезвия находились в плотном контакте с материалом для увеличения скорости резки.

Русский

Прилагайте правильно усилие. Избыточное давление может привести к заклиниванию инструмента или к неровному резу. Пожалуйста, учитывайте, что при исчезновении нагрузки машина снова самостоятельно запускается с изначальной рабочей скоростью вращения. Никогда не кладите электрический инструмент до тех пор, пока инструментальная насадка полностью не остановится. Инструмент может заклинить, что приведет к потере Вами контроля над машиной. Выньте аккумулятор из машины перед проведением с ней каких-либо манипуляций.

ВНИМАНИЕ! Для предотвращения опасности пожара в результате короткого замыкания, травм и повреждения изделия не опускайте инструмент, сменный аккумулятор или зарядное устройство в жидкости и не допускайте попадания жидкостей внутрь устройств или аккумуляторов. Коррозионные и проводящие жидкости, такие как соленый раствор, определенные химикаты, отбеливающие средства или содержащие их продукты, могут привести к короткому замыканию.

Для зарядки аккумулятора модели M18 используйте только зарядным устройством M18. Не заряжайте аккумуляторы других систем.

Никогда не вскрывайте аккумуляторы или зарядные устройства и храните их только в сухих помещениях. Следите, чтобы они всегда были сухими.

АККУМУЛЯТОР

Перед использованием аккумулятора, которым не пользовались некоторое время, его необходимо зарядить.

Температура выше 50°C снижает работоспособность аккумуляторов. Избегайте продолжительного нагрева или прямого солнечного света (риск перегрева).

Контакты зарядного устройства и аккумуляторов должны содержаться в чистоте.

Для обеспечения оптимального срока службы аккумулятора необходимо полностью заряжать после использования прибора.

Для достижения максимально возможного срока службы аккумуляторы после зарядки следует вынимать из зарядного устройства.

При хранении аккумулятора более 30 дней: Храните аккумулятор при 27°C в сухом месте.; Храните аккумулятор с зарядом примерно 30% - 50%.; Каждые 6 месяцев аккумулятор следует заряжать.

Не выбрасывайте использованные аккумуляторы вместе с домашним мусором и не сжигайте их. Дистрибьюторы компании Milwaukee предлагают восстановление старых аккумуляторов, чтобы защитить окружающую среду.

Не храните аккумуляторы вместе с металлическими предметами во избежание короткого замыкания.

Аккумуляторная батарея может быть повреждена и дать течь под воздействием чрезмерных температур или повышенной нагрузки. В случае контакта с аккумуляторной кислотой немедленно промойте место контакта мылом и водой. В случае попадания кислоты в глаза промойте глаза в течении 10 минут и немедленно обратитесь за медицинской помощью.

Не допускается попадания каких-либо металлических предметов в аккумуляторный отсек зарядного устройства во избежание короткого замыкания.

ТРАНСПОРТИРОВКА ЛИТИЙ-ИОННЫХ АККУМУЛЯТОРОВ

Литий-ионные аккумуляторы в соответствии с предписаниями закона транспортируются как опасные грузы.

Транспортировка этих аккумуляторов должна осуществляться с соблюдением местных, национальных и международных предписаний и положений.

Эти аккумуляторы могут перевозиться по улице потребителем без дальнейших обязательств.

При коммерческой транспортировке литий-ионных аккумуляторов экспедиторскими компаниями действуют положения, касающиеся транспортировки опасных грузов. Подготовка к отправке и транспортировка должны производиться исключительно специально обученными лицами. Весь процесс должен находиться под контролем специалиста.

При транспортировке аккумуляторов необходимо соблюдать следующие пункты:

Убедитесь, что контакты защищены и изолированы во избежание короткого замыкания. Следите за тем, чтобы аккумуляторный блок не соскользнул внутри упаковки. Транспортировка поврежденных или протекающих аккумуляторов запрещена. За дополнительными указаниями обратитесь к своему экспедитору.

ИСПОЛЬЗОВАНИЕ

Данный электроинструмент предназначен для резания металлических листов без потерь на стружку. Он пригоден для прямых и криволинейных резов.

ОБСЛУЖИВАНИЕ

Удаляйте пыль и грязь с прибора. Рукоятку держите чистой, сухой, а также очищенной от масла и смазки. Чистящие средства и растворители повреждают пластик и другие изолирующие детали, поэтому прибор следует очищать только мылом и влажной тряпкой. Никогда не используйте горячие растворители поблизости от прибора.

Всегда держите охлаждающие отверстия чистыми.

Пользуйтесь аксессуарами и запасными частями Milwaukee. В случае возникновения необходимости в замене, которая не была описана, обращайтесь в один из сервисных центров по обслуживанию электроинструментов Milwaukee (см. список сервисных организаций).

При необходимости может быть заказан чертеж инструмента с трехмерным изображением деталей. Пожалуйста, укажите номер и тип инструмента и закажите чертеж у Ваших местных агентов или непосредственно у Techtronic Industries GmbH, Max-Eyth-Straße 10, 71364 Winnenden, Germany.



РУС

ДЕКЛАРАЦИЯ О СООТВЕТСТВИИ СТАНДАРТАМ ЕС

Мы несем исключительную ответственность за то, что изделие, описанное в разделе «Техническая информация» соответствует всем применимым положениям директив

2011/65/EU (RoHS)

2006/42/EC

2014/30/EU

а также следующим согласованным стандартам 0

EN 62841-1:2015

EN 62841-2-8:2016

EN 55014-1:2017+A11:2020

EN 55014-2:2015

EN IEC 63000:2018



Winnenden, 2020-11-20



Alexander Krug / Managing Director

Уполномочен на составление технической документации.

Techtronic Industries GmbH

Max-Eyth-Straße 10, 71364 Winnenden, Germany

СИМВОЛЫ



ВНИМАНИЕ! ПРЕДУПРЕЖДЕНИЕ! ОПАСНОСТЬ!



Пожалуйста, внимательно прочтите инструкцию по использованию перед началом любых операций с инструментом.



Надевать защитные перчатки!



При работе с инструментом всегда надевайте защитные очки.



Выньте аккумулятор из машины перед проведением с ней каких-либо манипуляций.



Принадлежности - В стандартную комплектацию не входит, поставляется в качестве дополнительной принадлежности.



Электрические устройства нельзя утилизировать вместе с бытовым мусором. Электрические и электронные устройства следует собирать отдельно и сдавать в специализированную утилизирующую компанию для утилизации в соответствии с нормами охраны окружающей среды. Сведения о центрах вторичной переработки и пунктах сбора можно получить в местных органах власти или у вашего специализированного дилера.



Европейский знак соответствия



Британский знак соответствия



Украинский знак соответствия



Евроазиатский знак соответствия

ТЕХНИЧЕСКИ ДАННИ Акумулаторна ножица за ламарина	M18 BMS12	M18 BMS20
Производствен номер	4776 43 02... ... 000001-999999	4776 44 02... ... 000001-999999
Напрежение на акумулатора	18 V	18 V
Обороти на празен ход	0 - 2500 min ⁻¹	0 - 2500 min ⁻¹
Най-малък радиус на рязане	180 mm	180 mm
Макс. капацитет на рязане	5,5 m/min	5,5 m/min
Стомана 400 N/mm ²	1,2 mm	2,0 mm
600 N/mm ²	0,95 mm	1,6 mm
800 N/mm ²	0,8 mm	1,2 mm
Алуминий 250 N/mm ²	2,0 mm	3,2 mm
Тегло съгласно процедурата EPTA 01/2014 (2,0 Ah)	2,3 kg	2,34 kg
Препоръчителна температура на околната среда при експлоатация	-18°C ... +50°C	-18°C ... +50°C
Препоръчителни акумулаторни батерии	M18B...	M18B...
Препоръчителни зарядни устройства	M12-18...	M12-18...
Информация за шума Измерените стойности са получени съобразно EN 62841. Оцененото с A ниво на шума на уреда е съответно:		
Равнище на звуковото налягане (Несигурност K=3dB(A))	78,2 dB (A)	78,2 dB (A)
Равнище на мощността на звука (Несигурност K=3dB(A))	89,2 dB (A)	89,2 dB (A)
Да се носи предпазно средство за слуха!		
Информация за вибрациите Общите стойности на вибрациите (векторна сума на три посоки) са определени в съответствие с EN 62841.		
Стойност на емисии на вибрациите a _h	4,75 m/s ²	7,07 m/s ²
Несигурност K=	1,5 m/s ²	1,5 m/s ²



БЪЛ

ВНИМАНИЕ

Посочените в настоящия информационен лист нива на вибрации и шумови емисии са измерени в съответствие със стандартизирано изпитване, предоставено в EN 62841, и могат да се използват за сравняване на един инструмент с друг. Те може също така да се използват и за предварителна оценка на излагането на вредни въздействия.

Декарпираните нива на вибрации и шумови емисии се отнасят за основните приложения на инструмента. Ако обаче инструментът се използва за други приложения, с други приспособления или не се поддържа добре, нивата на вибрации и шумови емисии могат да са различни. Това може значително да повиши нивото на излагане на вредни въздействия за общата продължителност на работата.

При оценка на нивото на излагане на въздействието на вибрации и шум следва също така да се вземе предвид времето, през което инструментът е изключен или през което е включен, но не се използва. Това може значително да понижи нивото на излагане на вредни въздействия за общата продължителност на работата.

Определете допълнителни мерки за безопасност за защита на оператора от въздействието на вибрациите и/или шума, като например поддръжка на инструмента и приспособленията, поддържането на топлината на ръцете и организацията на работата.

⚠ ВНИМАНИЕ! Прочетете указанията за безопасност и съветите. Ако не спазвате следните указания, това може да доведе до токов удар, пожар и/или тежки наранявания.
Запазете всички указания и инструкции за безопасност за бъдещето.

⚠ ИНСТРУКЦИИ ЗА БЕЗОПАСНОСТ ЗА НОЖИЦИ ЗА ЛАМАРИНА

Използвайте уреда, аксесоарите, работните инструменти итн. в съответствие с тези инструкции. Съобразявайте се с работните условия и извършваната дейност. Употребата на уредите за цели, за които те не са предвидени, може да доведе до опасни ситуации.

При работа с машината винаги носете предпазни очила. Препоръчват се също така предпазни ръкавици, здрави и нехлъзгави се обувки, както и престилка.

Закрепете обработваната част с устройство за захващане. Незакрепени части за обработка могат да причинят сериозни наранявания и материални щети.

Когато режете, дръжте уреда така, че остриетата са в здрав контакт с материала за най-бързо рязане. Нанесете равномерен натиск. Твърде голям натиск ще са склонни да се задръсти на функцията или да предизвика груб нарязани.

Моля, обърнете внимание, че при преодоляване на претоварването машината ще се върне сама на първоначалните обороти. Никога не оставяйте електрическата машина, докато

инструментът не е напълно спрял. Работният инструмент може да заседне и да доведе до загуба на контрол над уреда.

Преди започване на каквото и да е работи по машината извадете акумулатора.

ВНИМАНИЕ! За да избегнете опасността от пожар, предизвикана от късо съединение, както и нараняванията и повредите на продукта, не потапяйте инструмента, сменяемата акумулаторна батерия или зарядното устройство в течности и се погрижете в уредите и акумулаторните батерии да не попадат течности. Течностите, предизвикващи корозия или провеждащи електричество, като солена вода, определени химикали, изобелващи вещества или продукти, съдържащи изобелващи вещества, могат да предизвикат късо съединение.

Акумулатори от системата M18 да се зареждат само със зарядни устройства от системата M18 laden. Да не се зареждат акумулатори от други системи.

Не отваряйте акумулатори и зарядни устройства и ги съхранявайте само в сухи помещения. Пазете ги от влага.

АКУМУЛАТОРИ

Акумулатори, които не са ползвани по-дълго време, преди употреба да се дозаредят.

Температура над 50°C намалява мощността на акумулатора. Да се избягва по-продължително нагриване на слънце или от отопление.

Поддържайте чисти присъединителните контакти на зарядното устройство и на акумулатора.

За оптимална продължителност на живот след употреба батериите трябва да се заредят напълно.

За възможно по-дълга продължителност на живот батериите трябва да се изваждат от уреда след зареждане.

При съхранение на батериите за повече от 30 дни: съхранявайте батерията при прибл. 27°C и на сухо място.; Съхранявайте батерията при 30 до 50 % от заряда.; Зареждайте батерията на всеки 6 месеца.

Не изхвърляйте изхабените акумулатори в огъня или в при битовите отпадъци. Milwaukee предлага екологосъобразно събиране на старите акумулатори; моля попитайте Вашия специализиран търговец.

Не съхранявайте акумулаторите заедно с метални предмети (опасност от късо съединение).

При екстремно натоварване или екстремна температура от повредени акумулатори може да изтече батерийна течност. При допир с такава течност веднага измийте с вода и сапун. При контакт с очите веднага изплаквайте старателно най-малко 10 минути и незабавно потърсете лекар.

В гнездото за акумулатори на зарядните устройства не бива да попадат метални части (опасност от късо съединение).

ПРЕВОЗ НА ЛИТИЕВО-ЙОННИ БАТЕРИИ

Литиево-йонните батерии са предмет на законите разпоредби за превоз на опасни товари.

Превозът на тези батерии трябва да се извършва в съответствие с местните, националните и международните разпоредби и регламенти.

Потребителите могат да превозват тези батерии по пътя без допълнителни изисквания.

Превозът на литиево-йонни батерии от транспортни компании е предмет на законите разпоредбите за превоз на опасни товари. Подготовката на превоза и самият превоз трябва да се

извършват само от обучени лица. Целият процес трябва да е под професионален надзор.

Спазвайте следните изисквания при превоз на батерии:

Уверете се, че контактите са защитени и изолирани, за да се избегне късо съединение. Уверете се, че няма опасност от разместване на батерията в опаковката. Не превозвайте повредени батерии или такива с течове. Обърнете се към Вашата транспортна компания за допълнителни инструкции.

ИЗПОЛЗВАНЕ ПО ПРЕДНАЗНАЧЕНИЕ

Електроинструментът е предназначен за рязане на ламарини без стружоотделяне. Той е подходящ за прави срезове и за срезове по дъга.

ПОДДРЪЖКА

Винаги отстранявайте праха и мърсотията от уреда. Дръжте ръкохватката чиста, суха и обезмазнена. Почистващите средства и разредителите са вредни за пластмасите и другите изолиращи части, затова почиствайте уреда само с мек сапун и кърпа. Никога не използвайте горящи разредители в близост до уреда.

Вентилационните шлицы на машината да се поддържат винаги чисти.

Да се използват само аксесоари на Milwaukee и резервни части на Milwaukee. Елементи, чията подмяна не е описана, да се дадат за подмяна в сервис на Milwaukee (вижте брошурата „Гаранция и адреси на сервиси“).

При необходимост можете да поискате за уреда от Вашия сервис или директно от Techtronic Industries GmbH, Max-Eyth-Straße 10, 71364 Winnenden, Germany, чертеж за в случай на експлозия, като посочите типа на машината и номер върху заводската табелка.

СЕ - ДЕКЛАРАЦИЯ ЗА СЪОТВЕТВИЕ

Ние декларираме, изцяло на наша отговорност, че продуктът, описан в „Технически данни“, съответства на всички необходими изисквания на директивите

2011/65/EC (RoHS)

2006/42/EO

2014/30/EC

и че са използвани следните хармонизирани стандарти 0

EN 62841-1:2015

EN 62841-2-8:2016

EN 55014-1:2017+A11:2020

EN 55014-2:2015

EN IEC 63000:2018



Winnenden, 2020-11-20

Alexander Krug / Managing Director

Упълномощен за съставяне на техническата документация

Techtronic Industries GmbH

Max-Eyth-Straße 10, 71364 Winnenden, Germany

СИМВОЛИ



ВНИМАНИЕ! ПРЕДУПРЕЖДЕНИЕ! ОПАСНОСТ



Преди пускане на уреда в действие моля прочетете внимателно инструкцията за използване.



Да се носят предпазни ръкавици!



При работа с машината винаги носете предпазни очила.



Преди започване на каквито е да е работи по машината извадете акумулатора.



Акcesoари - Не се съдържат в обема на доставката, препоръчвано допълнение от програмата за акcesoари.



Електрическите уреди не трябва да се изхвърлят заедно с битовите отпадъци. Електрическото и електронното оборудване трябва да се събират отделно и да се предават на службите за рециклиране на отпадъците според изискванията за опазване на околната среда. Информирайте се при местните служби или при местните специализирани търговци относно местата за събиране и центровете за рециклиране на отпадъци.



Европейски знак за съответствие



Британски знак за съответствие



Украински знак за съответствие



Евро-азиатски знак за съответствие



DATE TEHNICE Foarfece pentru tablă, cu acumulator		M18 BMS12	M18 BMS20
Număr producție		4776 43 02... ... 000001-999999	4776 44 02... ... 000001-999999
Tensiune acumulator		18 V	18 V
Viteza de mers în gol		0 - 2500 min ⁻¹	0 - 2500 min ⁻¹
Cea mai mică rază de tăiere		180 mm	180 mm
Capacitate de tăiere max.		5,5 m/min	5,5 m/min
Oțel 400 N/mm ²		1,2 mm	2,0 mm
600 N/mm ²		0,95 mm	1,6 mm
800 N/mm ²		0,8 mm	1,2 mm
Aluminiu 250 N/mm ²		2,0 mm	3,2 mm
Greutatea conform „EPTA procedure 01/2014” (2,0 Ah)		2,3 kg	2,34 kg
Temperatură ambientală recomandată pentru funcționare		-18°C ... +50°C	-18°C ... +50°C
Seturi de baterii recomandate		M18B...	M18B...
Încărcător de baterii recomandat		M12-18...	M12-18...
Informație privind zgomotul			
Valori măsurate determinate conform EN 62841. Nivelul de zgomot evaluat cu A al aparatului este tipic de:			
Nivelul presiunii sonore (Nesiguranță K=3dB(A))		78,2 dB (A)	78,2 dB (A)
Nivelul sunetului (Nesiguranță K=3dB(A))		89,2 dB (A)	89,2 dB (A)
Purtați căști de protecție			
Informații privind vibrațiile			
Valorile totale de oscilație (suma vectorială pe trei direcții) determinate conform normei EN 62841.			
Valoarea emisiei de oscilații a _h		4,75 m/s ²	7,07 m/s ²
Nesiguranță K=		1,5 m/s ²	1,5 m/s ²



Ro

AVERTISMENT

Nivelul vibrației și emisiei de zgomot indicat în această fișă informativă a fost măsurat în conformitate cu o metodă standard de testare specificată în EN 62841 și se poate utiliza pentru a compara dispozitivele între ele. Acesta se poate utiliza și într-o evaluare preliminară a expunerii.

Nivelul declarat al vibrației și emisiei sonore reprezintă principalele aplicații ale dispozitivului. Cu toate acestea, dacă dispozitivul este utilizat pentru aplicații diferite, cu accesoriu diferite sau întreținute necorespunzător, emisia de vibrații și zgomote poate diferi. Acest lucru poate crește semnificativ nivelul expunerii pe întreaga perioadă de lucru.

O estimare a nivelului de expunere la vibrații și zgomot ar trebui să țină cont și de momentele în care dispozitivul este oprit sau când funcționează, dar nu realizează de fapt nicio lucrare. Acest lucru poate reduce semnificativ nivelul expunerii pe întreaga perioadă de lucru.

Identificați măsurile de siguranță suplimentare pentru a proteja operatorul de efectele vibrațiilor și/sau zgomotului, cum ar fi: întreținerea dispozitivului și a accesoriilor, menținerea caldă a mâinilor, organizarea modelelor de lucru.

⚠️ AVERTISMENT! Citiți toate avizele de siguranță și indicațiile. În cazul în care nu veți respecta următoarele instrucțiuni, se poate ajunge la electrocutare, incendii și/sau răniri grave.
Păstrați toate indicațiile de avertizare și instrucțiunile în vederea utilizărilor viitoare.

⚠️ INSTRUCȚIUNI DE SIGURANȚĂ PENTRU FOARFECI DE TĂIAT TABLĂ

Utilizați aparatul, accesoriile, sculele montabile etc. în conformitate cu instrucțiunile de față. Țineți cont în acest context de condițiile de lucru și de activitatea care trebuie efectuată. Folosirea unor aparate pentru aplicații diferite de acelea pentru care au fost concepute poate crea situații periculoase.

Purtați întotdeauna ochelari de protecție atunci când utilizați mașina. Se recomandă purtarea mănușilor, a încălțămintei solide nealunecabile și sortului de protecție.

Asigurați piesa de prelucrat cu un dispozitiv de fixare. Piese neasigurate pot provoca accidentări grave și stricăciuni.

Când tăierea, țineți mașina astfel încât lamele sunt în contact ferm cu materialul pentru cel mai rapid de tăiere. Se aplică chiar de presiune. O presiune prea mare va tinde să bloca unealta sau poate provoca o reducere dur.

Vă rugăm să rețineți, că după ce sarcina dispăre, mașina revine din nou, în mod automat, la turația de lucru inițială. Nu lăsați niciodată aparatul din mână, atât timp cât accesoriul de lucru nu s-a oprit complet. Scula montabilă se poate înțepeni provocând pierderea controlului asupra aparatului.

Română

Îndepărtați acumulatorul înainte de începerea lucrului pe mașina AVERTISMENT! Pentru a reduce pericolul unui incendiu și evitarea rănirilor sau deteriorarea produsului în urma unui scurtcircuit nu imersați scula, acumulatorul de schimb sau încărcătorul în lichide și asigurați-vă să nu pătrundă lichide în aparate și acumulatori. Lichidele corosive sau cu conductibilitate, precum apa sărată, anumite substanțe chimice și înalbitori sau produse ce conțin înalbitori, pot provoca un scurtcircuit.

Folosiți numai încărcătoarea System M18 pentru încărcarea acumulatorilor System M18. Nu folosiți acumulatori din alte sisteme.

Nu deschideți niciodată acumulatorii și încărcătoarele și paștrați-le numai în încăperi uscate. Paștrați-le întotdeauna uscate.

ACUMULATORI

Acumulatorii care nu au fost utilizați o perioadă de timp trebuie reîncărcați înainte de utilizare

Temperatura mai mare de 50°C (122°F) reduce performanța acumulatorului. Evitați expunerea prelungită la căldură sau radiație solară (risc de supraîncălzire)

Contactele încărcătoarelor și acumulatorilor trebuie păstrate curate.

În scopul optimizării duratei de funcționare, bateriile trebuie reîncărcate complet după utilizare.

Pentru o durată de viață cât mai lungă, acumulatorii ar trebui scoși din încărcător după încărcare.

La depozitarea acumulatorilor mai mult de 30 zile: Acumulatorii se depozitează la cca. 27°C și la loc uscat.; Acumulatorii se depozitează la nivelul de încărcare de cca. 30%-50%.; Acumulatorii se încarcă din nou la fiecare 6 luni.

Nu aruncați acumulatorii uzați la containerul de reziduri menajere și nu îi ardeți. Milwaukee Distributors se oferă să recupereze acumulatorii vechi pentru protecția mediului înconjurător.

Nu depozitați acumulatorul împreună cu obiecte metalice (risc de scurtcircuit)

Acidul se poate scurge din acumulatorii deteriorați la încărcături sau temperaturi extreme. În caz de contact cu acidul din acumulator, spălați imediat cu apă și săpun. În caz de contact cu ochii, clătiți cu atenție timp de cel puțin 10 minute și apelați imediat la îngrijire medicală.

Nu se permite introducerea nici unei piese metalice în locașul pentru acumulator al încărcătorului. (risc de scurtcircuit)

TRANSPORTUL ACUMULATORILOR CU IONI DE LITIU

Acumulatorii cu ioni de litiu cad sub incidența prescripțiilor legale pentru transportul de mărfuri periculoase.

Transportul acestor acumulatori trebuie să se efectueze cu respectarea prescripțiilor și reglementărilor pe plan local, național și internațional.

Consumatorilor le este permis transportul rutier nerestricționat al acestui tip de acumulatori.

Transportul comercial al acumulatorilor cu ioni de litiu prin intermediul firmelor de expediție și transport este supus reglementărilor transportului de mărfuri periculoase. Pregătirile pentru expediție și transportul au voie să fie efectuate numai de către personal instruit corespunzător. Întregul proces trebuie asistat în mod competent.

Următoarele puncte trebuie avute în vedere la transportul acumulatorilor:

Pentru a se evita scurtcircuite, asigurați-vă de faptul că sunt protejate și izolate contactele. Aveți grijă ca pachetul de acumulatori să nu poată aluneca în altă poziție în interiorul ambalajului său. Este interzis transportarea unor acumulatori deteriorați sau care pierd

lichid. Pentru indicații suplimentare adresați-vă firmei de expediție și transport cu care colaborați.

CONDIȚII DE UTILIZARE SPECIFICATE

Scula electrică este destinată tăierii fără pierderi de material. Este adecvată pentru tăieri curbe și drepte.

INTREȚINERE

Îndepărtați permanent praful și murdăria de pe aparat. Păstrați mânerul curat, uscat și lipsit de ulei sau unsoare. Detergenții și solvenții dăunează materialelor plastice și celorlalte componente izolatoare, deci nu curățați aparatul decât cu un săpun ușor și cu o lavetă umezită. Nu folosiți niciodată solvenți inflamabili în apropierea aparatului.

Fantele de aerisire ale mașinii trebuie să fie menținute libere tot timpul

Utilizați numai accesorii și piese de schimb Milwaukee. Dacă unele din componentele care nu au fost descrise trebuie înlocuite, vă rugăm contactați unul din agenții de service Milwaukee (vezi lista noastră pentru service / garanți)

Dacă este necesară, se poate comanda o imagine descompusă a sculei. Vă rugăm menționați numărul art. Precum și tipul mașinii tipărit pe etichetă și comandați desenul la agenții de service locali sau direct la Techtronic Industries GmbH, Max-Eyth-Straße 10, 71364 Winnenden, Germany.

DECLARAȚIE DE CONFORMITATE

Declarăm pe propria răspundere că produsul descris în capitolul „Date tehnice” îndeplinește toate cerințele relevante ale directivelor

2011/65/UE (RoHS)

2006/42/CE

2014/30/UE

și au fost utilizate următoarele standarde armonizate 0

EN 62841-1:2015

EN 62841-2-8:2016

EN 55014-1:2017+A11:2020

EN 55014-2:2015

EN IEC 63000:2018



Winnenden, 2020-11-20

Alexander Krug / Managing Director

Împuternicit să elaboreze documentația tehnică.

Techtronic Industries GmbH

Max-Eyth-Straße 10, 71364 Winnenden, Germany



SIMBOLURI



PERICOL! AVERTIZARE! ATENȚIE!



Va rugăm citiți cu atenție instrucțiunile înainte de pornirea mașinii



Purtați mănuși de protecție!



Purtați întotdeauna ochelari de protecție când utilizați mașina.



Îndepărtați acumulatorul înainte de începerea lucrului pe mașina



Accesoriu - Nu este inclus în echipamentul standard , disponibil ca accesoriu



Aruncarea aparatelor electrice la gunoiul menajer este interzisă. Echipamentele electrice și electronice trebuie colectate separat și predate la un centru de reciclare și eliminare a deșeurilor, pentru a fi eliminate ecologic. Interesați-vă la autoritățile locale sau la comerciantul dvs. de specialitate unde se află centre de reciclare și puncte de colectare.



Marcă de conformitate europeană



Marcă de conformitate britanică



Marcă de conformitate ucraineană



Marcă de conformitate eurasiatică

ТЕХНИЧКИ ПОДАТОЦИ Лимени ножици на батерија		M18 BMS12	M18 BMS20
Производен број		4776 43 02... ... 000001-999999	4776 44 02... ... 000001-999999
Волтажа на батеријата		18 V	18 V
Брзина без оптоварување		0 - 2500 min ⁻¹	0 - 2500 min ⁻¹
Минимален радиус на сечење		180 mm	180 mm
Максимален учинок на сечење		5,5 m/min	5,5 m/min
Челик	400 N/mm ²	1,2 mm	2,0 mm
	600 N/mm ²	0,95 mm	1,6 mm
	800 N/mm ²	0,8 mm	1,2 mm
Алуминиум 250 N/mm ²		2,0 mm	3,2 mm
Тежина според ЕПТА-процедурата 01/2014 (2,0 Ah)		2,3 kg	2,34 kg
Препорачана температура на околината за работа Препорачани комплекти акумулаторски батерии Препорачани полначи		-18°C ... +50°C M18B... M12-18...	-18°C ... +50°C M18B... M12-18...
Информации за бучавата Измерените вредности се одредени согласно стандардот EN 62841. А-оценетото ниво на бучава на апаратот типично изнесува:			
Ниво на звучен притисок. (Несигурност K=3dB(A))		78,2 dB (A)	78,2 dB (A)
Ниво на јачина на звук. (Несигурност K=3dB(A))		89,2 dB (A)	89,2 dB (A)
Носте штитник за уши.			
Информации за вибрации Вкупни вибрациски вредности (векторски збир на трите насоки) пресметани согласно EN 62841.			
Вибрациска емисиона вредност a _n		4,75 m/s ²	7,07 m/s ²
Несигурност K		1,5 m/s ²	1,5 m/s ²



ПРЕДУПРЕДУВАЊЕ

Нивото на вибрации и емисија на бучава дадени во овој информативен лист се измерени во согласност со стандардизиран метод на тестирање даден во EN 62841 и може да се користат за споредување на еден електричен алат со друг. Тие исто така може да се користат при првична проценка на изложеност.

Наведеното ниво на вибрации и емисија на бучава ја претставува главната примена на алатот. Сепак ако алатот се користи за поинакви примени, со поинаков прибор или лошо се одржува, вибрациите и емисијата на бучава може да се разликуваат. Тоа може значително да го зголеми нивото на изложеност преку целиот работен период.

Проценка на нивото на изложеност на вибрации и бучава треба исто така да се земе предвид кога е исклучен алатот или кога е вклучен, но не врши никаква работа. Тоа може значително да го намали нивото на изложеност преку целиот работен период.

Утврдете дополнителни безбедносни мерки за да се заштити операторот од ефектите на вибрациите и/или бучавата како на пр.: одржувајте го алатот и приборот, рацете нека ви бидат топли, организација на работните шеми.

⚠ ПРЕДУПРЕДУВАЊЕ! Прочитајте ги сите безбедносни упатства и инструкции. Доколку не ги почитувате следните упатства, може да дојде до електричен удар, до пожар и/или до тешки повреди.

Сочувајте ги сите безбедносни упатства и инструкции за во иднина.

⚠ НАПОМЕНИ ЗА БЕЗБЕДНОСТ ЗА ЛИМЕНИ НОЖИЦИ

Употребувајте го апаратот, приборот, орудијата кои се применуваат итн. во склад со овие напомени. Имајте ги притоа во предвид условите на работа и активноста која што се изведува. Употреба на апарати за други намени, освен предвидените, може да доведе до опасни ситуации.

Секогаш носете ракавици кога ја користите машината. Исто така препорачливо е да се носат очила, цврсти чевли кои не се лизгаат и престилка.

Обезбедете го предметот кој што го обработувате со направа за напон. Необезбедени парчиња кои што се обработуваат можат да предизвикаат тешки повреди и оштетувања.

Кога сечење, држете го алатка, така што сечилата се во цврст контакт со материјалот за најбрзо сечење. Применуваат дури и под притисок. Премногу притисок ќе имаат тенденција да џем на алатка или да предизвика груби сече.

Ве молиме обратете внимание дека машината во случај на престанок на реоптоварувањето повторно самостојно се враќа на претходниот број на работни вртежи. Никогаш не го оставајте електро-орудието ако орудие то за применување не е дојдено во

потполно мирување. Применетото орудие може да се заглави и да доведе до загуба на контрола врз апаратот.

Издадете го батеријскиот склоп пред отпочнување на каков и да зафат врз машината.

ПРЕДУПРЕДУВАЊЕ! За да избегнете опасноста од пожар, од наранувања или од оштетување на производот, коишто ги создава краток спој, не ја потопувајте во течност алатката, заменивата батерија или полначот и пазете во уредите и во батериите да не проникнуваат течности. Корозивни или електроспроводливи течности, како солена вода, одредени хемикалии, избелувачки препарати или производи кои содржат избелувачки супстанции, можат да предизвикаат краток спој.

Користете исклучиво Систем M18 за полнење на батерии од M18 систем. Не користете батерии од друг систем.

Не ги отворајте насилно батериите и полначите, и чувајте ги само на суво место. Чувајте ги постојано суви.

БАТЕРИИ

Батериите кои не биле користени подолго време треба да се наполнат пред употреба.

Температура повисока од 50°C (122°F) го намалуваат траењето на батериите. Избегнувајте подолго изложување на батериите на високи температури или сонце (ризик од прегревање).

Клемите на полначот и батериите мора да бидат чисти.

За оптимален работен век батериите мора да се наполнат целосно по употреба.

За можно подолг век на траење, апаратите после нивното полнење треба да бидат извадени од апаратот за полнење на батериите.

Во случај на складирање на батеријата подолго од 30 дена: Акумулаторот да се чува на температура од приближно 27°C и на суво место.; Акумулаторот да се складира на приближно 30%-50% од состојбата на наполнетост.; Акумулаторот повторно да се наполни на секои 6 месеци.

Не ги оставајте искористените батерии во домашниот отпад и не горете ги. Дистрибутерите на Милвоки ги собираат старите батерии, со што ја штитат нашата околина.

Не ги чувајте батериите заедно со метални предмети (ризик од краток спој).

Киселината од оштетените батериите може да истече при екстреман напон или температури. Доколку дојдете во контакт со исатата, измијте се веднаш со сапун и вода. Во случај на контакт со очите плакнете ги убаво најмалку 10 минути и задолжително одете на лекар.

Метални парчиња не смеат да навлезат во делот за полнење на батерија (ризик од краток спој).

ТРАНСПОРТ НА ЛИТИУМ-ЈОНСКИ БАТЕРИИ

Литиум-јонските батерии подлежат на законските одредби за транспорт на опасни материи.

Транспортот на овие батерии мора да се врши согласно локалните, националните и меѓународните прописи и одредби.

Потрошувачите на овие батерии може да вршат непречен патен транспорт на истите.

Комерцијалниот транспорт на литиум-јонски батерии од страна на шпедитерски претпријатија подлежат на одредбите за транспорт на опасни материи. Подготовките за шпедиција и транспорт треба да ги вршат исклучиво соодветно обучени лица. Целокупниот процес треба да биде стручно надгледуван.

При транспортот на батерии треба да се внимава на следното:

Осигурајте се дека контактите се заштитени и изолирани, а сето тоа со цел да се избегнат кратки споеви. Внимавајте да не дојде до изместување на батериите во нивната амбалажа. Забранет е транспорт на оштетени или протечени литиум-јонски батерии. За понатамошни инструкции обратете се до Вашето шпедитерско претпријатие.

СПЕЦИФИЦИРАНИ УСЛОВИ НА УПОТРЕБА

Машината е наменета за сечење лим без тензија загуба. Таа е погодна за криви и прави намалувања.

ОДРЖУВАЊЕ

Постојано отстранувајте прашина и нечистотија од апаратот. Одржувајте ја рачката чиста, сува и без масти или масло. Средства за чистење и разредување се штетни по пластиките и други изолирачки делови, затоа чистете само со нежен сапун и влажна крпа. Никогаш не употребувајте запаливи средства за разредување во близина на апаратот.

Вентилациските отвори на машината мора да бидат комплетно отворени постојано.

Користете само Milwaukee додатоци и резервни делови. Доколку некои од компонентите кои не се опишани треба да бидат заменети, Ве молиме контактирајте ги сервисните агенти на Milwaukee (консултирајте ја листата на адреси).

Доколку е потребно може и да биде набавен детален приказ на алатот. Ве молиме наведете го бројот на артиклот како и типот на машина кој е отпечатен на етикетата и порачајте ја скицата кај локалниот застапник или директно кај: Techtronic Industries GmbH, Max-Eyth-Straße 10, 71364 Winnenden, Germany.

ЕУ-ДЕКЛАРАЦИЈА ЗА СООБРАЗНОСТ

Под целосна лична одговорност изјавуваме дека производот опишан во „Технички податоци“ е во сообразност со сите релевантни прописи од директивите

2011/65/EU (RoHS)
2006/42/EC

2014/30/EU

и дека се применети следните хармонизирани стандарди 0

EN 62841-1:2015
EN 62841-2-8:2016
EN 55014-1:2017+A11:2020
EN 55014-2:2015
EN IEC 63000:2018



Winnenden, 2020-11-20

Alexander Krug / Managing Director
Ополномоштен за составување на техничката документација.

Techtronic Industries GmbH
Max-Eyth-Straße 10, 71364 Winnenden, Germany

СИМБОЛИ



ВНИМАНИЕ! ПРЕДУПРЕДУВАЊЕ! ОПАСНОСТ!



Ве молиме пред да ја стартувате машината обрнете внимание на упатствата за употреба.



Носете ракавици!



Секогаш при користење на машината носете ракавици.



Извадете го батерискиот склоп пред отпочнување на каков и да е зафат врз машината.



Дополнителна опрема - Не е вклучена во стандардната, а достапна е како додаток.



Електричните апарати не смеат да се фрлат заедно со домашниот отпад. Електричните и електронските апарати треба да се собираат одделно и да се однесат во соодветниот погон заради нивно фрлање во склад со начелата за заштита на околината. Информирајте се кај Вашите местни служби или кај специјализираниот трговски претставник, каде има такви погони за рециклажа и собирни станици.



Европска ознака за сообразност



Британска ознака за сообразност



Украинска ознака за сообразност



Евроазиска ознака за сообразност



ТЕХНІЧНІ ХАРАКТЕРИСТИКИ Акумуляторні ножиці для різання листового металу		M18 BMS12	M18 BMS20
Номер виробу		4776 43 02... ... 000001-999999	4776 44 02... ... 000001-999999
Напруга змінної акумуляторної батареї		18 V	18 V
Кількість обертів холостого ходу		0 - 2500 min ⁻¹	0 - 2500 min ⁻¹
Найменший радіус різання		180 mm	180 mm
Продуктивність різання макс.		5,5 m/min	5,5 m/min
Сталь 400 N/mm ²		1,2 mm	2,0 mm
600 N/mm ²		0,95 mm	1,6 mm
800 N/mm ²		0,8 mm	1,2 mm
Алюміній 250 N/mm ²		2,0 mm	3,2 mm
Вага згідно з процедурою EPTA 01/2014 (2,0 Ah)		2,3 kg	2,34 kg
Температура навколишнього середовища, рекомендована для експлуатації		-18°C ... +50°C	-18°C ... +50°C
Рекомендовані акумулятори		M18B...	M18B...
Рекомендовані зарядні пристрої		M12-18...	M12-18...
Інформація про шум			
Вимірні значення визначені згідно з EN 62841. Рівень шуму „А“ приладу становить в типовому випадку:			
Рівень звукового тиску (похибка K = 3 дБ(A))		78,2 dB (A)	78,2 dB (A)
Рівень звукової потужності (похибка K = 3 дБ(A))		89,2 dB (A)	89,2 dB (A)
Використовувати засоби захисту органів слуху!			
Інформація щодо вібрації			
Сумарні значення вібрації (векторна сума трьох напрямків), встановлені згідно з EN 62841.			
Значення вібрації a _h		4,75 m/s ²	7,07 m/s ²
похибка K =		1,5 m/s ²	1,5 m/s ²



ПОПЕРЕДЖЕННЯ

Заявлені значення шумового випромінювання, вказані в цьому інформаційному аркуші, було виміряно відповідно до стандартизованого випробування згідно з EN 62841 та можуть використовуватися для порівняння одного інструмента з іншим. Вони також можуть використовуватися для попередньої оцінки рівня впливу на організм.

Вказані значення вібрації та шумового випромінювання дійсні для основних областей застосування інструмента. Якщо інструмент використовується в інших областях застосування чи з іншим приладдям або не проходить належне обслуговування, значення вібрації та шумового випромінювання можуть відрізнятись. Це може суттєво збільшити рівень впливу на організм протягом загального періоду роботи.

Під час оцінки рівня впливу вібрації та шумового випромінювання на організм також необхідно враховувати періоди, коли інструмент вимкнено, чи коли він працює, але фактично не використовується для виконання роботи. Це може суттєво знизити рівень впливу на організм протягом загального періоду роботи.

Визначте додаткові заходи для захисту оператора від впливу вібрації та/або шуму, наприклад, обслуговування інструмента та його приладдя, зберігання рук у теплі, організація графіків роботи.

⚠ ПОПЕРЕДЖЕННЯ! Прочитайте всі вказівки з техніки безпеки та інструкції. Недотримання наведених далі інструкцій може спричинити ураження електричним струмом, пожежу та/або тяжкі травми.
Зберігайте всі вказівки з техніки безпеки та інструкції на майбутнє.

**⚠ ВКАЗІВКИ З ТЕХНІКИ БЕЗПЕКИ ДЛЯ НОЖИЦЬ
ДЛЯ РІЗАННЯ ЛИСТОВОГО МЕТАЛА**

Використовуйте прилад, комплектуючі, вставні інструменти та ін. відповідно до цих інструкцій. Враховуйте при цьому умови праці та види виконуваних робіт. Використання приладів для іншої

мети, не передбаченої цими інструкціями, може призвести до небезпечних ситуацій.

Під час роботи з машиною завжди носити захисні окуляри. Радимо носити захисні рукавиці, міцне та нековзне взуття і фартух.

Зафіксувати заготовку в затиску пристрої. Незакріплені заготовки можуть привести до тяжких травм та пошкоджень.

Для швидкого результату різання тримати прилад так, щоб ножи щільно прилягали до матеріалу. Притискання має бути помірним. Занадто сильне притискання може привести до блокування приладу або до нерівномірності різання.

Зверніть увагу, що після зниження навантаження машина знов самостійно збільшує кількість обертів до попереднього рівня. Ніколи не кладіть електроінструмент, доки вставний інструмент не зупиниться повністю. Вставний інструмент може застрягнути, що призведе до втрати контролю над приладом.

Перед будь-якими роботами на приладі виїняти змінну акумуляторну батарею.

ПОПЕРЕДЖЕННЯ! Для запобігання небезпеці пожежі в результаті короткого замикання, травмам і пошкодженню виробів не занурюйте інструмент, змінний акумулятор або зарядний пристрій у рідину і не допускайте потрапляння рідини всередину пристроїв або акумуляторів. Корозійні і струмопровідні рідини, такі як солоний розчин, певні хімікати, вибуховальні засоби або продукти, що їх містять, можуть призвести до короткого замикання.

Знімні акумуляторні батареї системи M18 заряджати лише зарядними пристроями системи M18. Не заряджати акумуляторні батареї інших систем.

Не відкривати знімні акумуляторні батареї і зарядні пристрої та зберігати їх лише в сухих приміщеннях. Берегти від вологи.

АКУМУЛЯТОРНІ БАТАРЕЇ

Знімну акумуляторну батарею, що не використовувалася тривалий час, перед використанням необхідно підзарядити.

Температура понад 50 °C зменшує потужність знімної акумуляторної батареї. Уникати тривалого нагрівання сонячними променями або системою обігріву.

З'єднувальні контакти зарядного пристрою та знімної акумуляторної батареї повинні бути чистими.

Для забезпечення оптимального строку експлуатації акумуляторні батареї після використання необхідно повністю зарядити.

Для забезпечення максимально можливого терміну експлуатації акумуляторні батареї після зарядки необхідно виймати з зарядного пристрою.

При зберіганні акумуляторної батареї понад 30 днів: Зберігати акумуляторну батарею при температурі приблизно 27 °C в сухому місці.; Зберігати акумуляторну батарею в стані зарядки приблизно 30-50 %.; Кожні 6 місяців заново заряджати акумуляторну батарею.

Відпрацьовані знімні акумуляторні батареї не можна кидати у вогонь або викидати з побутовими відходами. Milwaukee пропонує утилізацію старих знімних акумуляторних батарей, безпечно для довкілля; зверніться до свого дилера.

Не зберігати знімні акумуляторні батареї разом з металевими предметами (небезпека короткого замикання).

При екстремальному навантаженні або при екстремальній температурі з пошкодженої змінної акумуляторної батареї може витікати електроліт. При потрапленні електроліту на шкіру його негайно необхідно змити водою з милом. При потрапленні в очі їх необхідно негайно ретельно промити, щонайменше 10 хвилин, та негайно звернутися до лікаря.

В гніздо зарядного пристрою, яке призначене для встановлення знімної акумуляторної батареї, не повинні потрапляти металеві деталі (небезпека короткого замикання).

ТРАНСПОРТУВАННЯ ЛІТІЙ-ІОННИХ АКУМУЛЯТОРНИХ БАТАРЕЙ

Літій-іонні акумуляторні батареї підпадають під законоположення про перевезення небезпечних вантажів.

Транспортування таких акумуляторних батарей повинно відбуватися із дотриманням місцевих, національних та міжнародних приписів та положень.

споживачі можуть без проблем транспортувати ці акумуляторні батареї по вулиці.

Комерційне транспортування літій-іонних акумуляторних батарей експедиторськими компаніями підпадає під положення про транспортування небезпечних вантажів. Підготовку до відправлення та транспортування можуть здійснювати виключно особи, які пройшли відповідне навчання. Весь процес повинні контролювати кваліфіковані фахівці.

При транспортуванні акумуляторних батарей необхідно дотримуватись зазначених далі пунктів:

Переконайтеся в тому, що контакти захищені та ізовані, щоб запобігти короткому замиканню. Слідкуйте за тим, щоб акумуляторна батарея не переміщувалася всередині упаковки. Пошкоджені акумуляторні батареї, або акумуляторні батареї, що потекли, не можна транспортувати. Для отримання подальших вказівок звертайтеся до своєї експедиторської компанії.

ВИКОРИСТАННЯ ЗА ПРИЗНАЧЕННЯМ

Електроінструмент призначений для різання металевого листа без втрат на стружку. Він призначений для кривих та прямих розрізів.

ОБСЛУГОВУВАННЯ

Завжди видаляти пил та бруд з приладу. Тримати рукоятку в чистому та сухому стані, на ній не повинно бути оливи або мастила. Засоби для чищення та розчинники шкідливі для полімерних матеріалів та інших ізолюючих деталей, тому чистити прилад тільки м'яким милом та вологою серветкою. Ніколи не використовуйте легкозаймисті розчинники поблизу приладу.

Завжди підтримувати чистоту вентиляційних отворів.

Використовувати тільки комплектуючі та запчастини Milwaukee. Деталі, заміна яких не описується, замінювати тільки в відділі обслуговування клієнтів Milwaukee (зверніть увагу на брошуру „Гарантія / адреси сервісних центрів“).

У разі необхідності можна запросити креслення з зображенням вузлів машини в перспективному вигляді, для цього потрібно звернутися в ваш відділ обслуговування клієнтів або безпосередньо в Techtron Industries GmbH, Max-Eyth-Straße 10, 71364 Winnenden, Німеччина, та вказати тип машини та шестизначний номер на фірмовій табличці з даними машини.



СЕРТИФІКАТ ВІДПОВІДНОСТІ ВИМОГАМ ЄС

Ми заявляємо на власну відповідальність, що виріб, описаний в „Технічних даних“, відповідає всім застосовним положенням директиви 2011/65/EU (RoHS) 2006/42/EC 2014/30/EU

та наступним гармонізованим нормативним документам: 0

EN 62841-1:2015

EN 62841-2-8:2016

EN 55014-1:2017+A11:2020

EN 55014-2:2015

EN IEC 63000:2018



Winnenden, 2020-11-20



Alexander Krug / Managing Director
Уповноважений із складання технічної документації.
Techtronic Industries GmbH
Max-Eyth-Strasse 10, 71364 Winnenden, Germany

СИМВОЛИ



УВАГА! ПОПЕРЕДЖЕННЯ! НЕБЕЗПЕЧНО!



Уважно прочитайте інструкцію з експлуатації перед введенням приладу в дію.



Носити захисні рукавиці!



Під час роботи з машиною завжди носити захисні окуляри.



Перед будь-якими роботами на приладі вийняти змінну акумуляторну батарею.



Комплектуючі - не входять в обсяг постачання, рекомендовані доповнення з програми комплектуючих.



Електричні прилади не можна утилізувати з побутовими відходами. Електричні та електронні прилади необхідно збирати окремо та здавати в спеціалізовані підприємства для утилізації, що не шкодить навколишньому середовищу. Зверніться до місцевих органів або до вашого дилера, щоб отримати адреси пунктів вторинної переробки та пунктів прийому.



Європейський знак відповідності



Британський знак відповідності



Український знак відповідності



Євроазіатський знак відповідності

تنبيه! تحذير! خطر!



يرجى قراءة التعليمات بعناية قبل بدء تشغيل الجهاز.



ارتد القفازات!



ارتد دائماً نظارات الوقاية عند استخدام الجهاز.



انزع البطارية قبل التعامل مع الجهاز.



الملحق - ليس مدرجاً كمعدة قياسية، متوفر كملحق.



يحظر التخلص من الأجهزة الكهربائية في القمامة المنزلية.
يجب جمع الأجهزة الكهربائية والإلكترونية منفصلة
وتسليمها للتخلص منها بشكل لا يضر بالبيئة لدى شركة
إعادة استغلال. الرجاء الاستفسار لدى الهيئات المحلية أو
لدى التجار المتخصصين عن مواقع إعادة الاستغلال
ومواقع الجمع.



CE علامة التوافق الأوروبية



UKCA علامة التوافق البريطانية



001 علامة التوافق الأوكرانية



EAC علامة التوافق الآسيوية



شروط الاستخدام المحددة

العدة الكه برائية مخصصة لقطع الصفانج المعدنية دون تشكيل
النشارة. وتصلح لإجراء القطوع المنحنية والمستقيمة.

الصيانة

نظف الأداة من الغبار والحطام. اجعل مقابض الأداة نظيفة وجافة
وخالية من الزيت أو السحم. استخدم الصابون الرقيق والملابس
الرطبة للتنظيف الأداة فقط حيث إن مواد ومحاليل التنظيف تتسبب
في تلف البلاستيك وأجزاء أخرى معزولة. لا تستخدم المحاليل القابلة
للإشتعال أو الإشتعال حول الأداة.

يجب أن تكون فتحات تهوية الجهاز نظيفة طوال الوقت.

استخدم فقط ملحقات ميلوكي وكذلك قطع غيار ميلوكي. إذا كانت
المكونات التي يجب تغييرها غير منكورة، يرجى الاتصال بأحد
عملاء صيانة ميلوكي (انظر قائمة عناوين الضمان/الصيانة الخاصة
بنا).

عند الحاجة يمكن طلب رمز انفجار الجهاز بعد ذكر طراز الألة
والرقم السداسي المذكور على بطاقة طاقة الألة لدى جهة خدمة
العلاء أو مباشرة لدى شركة

Techtronic Industries GmbH,
Max-Eyth-Straße 10,
71364 Winnenden,
ألمانيا

إعلان المطابقة - الاتحاد الأوروبي

نعلن تحت مسؤوليتنا وحننا أن المنتج المعين تحت اسم «البيانات
الفنية» يتوافق مع جميع الأحكام ذات الصلة ضمن التوجيهات

2011/65/EU (RoHS)
2006/42/EG
2014/30/EU
والمعايير المتسقة التالية

EN 62841-1:2015

EN 62841-2:8:2016

EN 55014-1:2017+A11:2020

EN 55014-2:2015

EN IEC 63000:2018



Winnenden, 2020-11-20

Alexander Krug / Managing Director
معمتمة للمطابقة مع الملف الفني

Techtronic Industries GmbH
Max-Eyth-Straße 10, 71364 Winnenden,
Germany

معينة ومواد التبييض أو المنتجات التي تشتمل على مواد تبييض،
يمكن أن تؤدي إلى حدوث ماس كهربائي.

استخدم فقط شواحن System M18 لشحن بطاريات
System M18. لا تستخدم بطاريات من أنظمة أخرى.

لا تقم أبداً بفتح قفل البطارية والشواحن ولا تخزنهم إلا في غرف
جافة. وحافظ عليها جاف طوال الوقت.

البطاريات

يجب إعادة شحن البطارية غير المستخدمة لفترة قبل الاستخدام.
تقلل درجات الحرارة التي تتجاوز 50° سيلزيوس (122° فهرنهايت)
من أداء البطارية. تجنب التعرض الزائد للحرارة أو أشعة الشمس
(خطر التسخين)..

يجب الحفاظ على محتويات الشواحن و البطاريات نظيفة.
للحصول على فترة استخدام مثالية، يجب شحن البطاريات تماما، بعد
الاستخدام.

للحصول على أطول عمر ممكن للبطارية، انزع البطارية من
الشاحن بمجرد شحنها تماما.

لتخزين البطارية أكثر من 30 يوم: خزن البطارية بحيث تكون
درجة الحرارة أقل من 27° سيلزيوس وبعيدا عن أي رطوبة؛ خزن
البطارية مشحونة بنسبة تتراوح بين 30-50% ؛ أشحن البطارية
كالمعتاد، وذلك كل ستة أشهر من التخزين.

لا تتخلص من البطاريات المستعملة مع النفايات المنزلية أو بحرقها.
يقدم موزع ميلوكي خدمة استعادة البطاريات القديمة لحماية البيئة.

لا تقم بتخزين البطارية مع الأشياء المعدنية (خطر قصر الدائرة)..

قد يتسرب حامض البطارية من البطاريات التالفة في ظروف الحمل
الزائد بدرجة كبيرة أو في درجات الحرارة الشديدة. في حالة ملامسة
حامض البطارية اغسل يديك فوراً بالماء والصابون. في حالة
ملامسة السائل للعينين اشطفهما جيدا لمدة 10 دقائق على الأقل
واطلب العناية الطبية فوراً.

يجب تجنب دخول أي أجزاء معدنية في قسم البطارية الخاصة
بالشاحن (خطر الماس الكهربائي).

نقل بطاريات الليثيوم

تخضع بطاريات الليثيوم أيون لشروط قوانين نقل السلع الخطرة.

ويجب نقل هذه البطاريات وفقاً للأحكام والقوانين المحلية والوطنية
والدولية.

يمكن للمستخدم نقل البطاريات برأ دون الخضوع لشروط أخرى.

يخضع النقل التجاري لبطاريات الليثيوم أيون عن طريق الغير إلى
قوانين نقل السلع الخطرة. يتعين أن يقوم أفراد مدربون جيداً بالإعداد
لعملية النقل والقيام بها بصحبة خبراء مثلهم.

متى تُنقل البطاريات:

عند التأكد من حماية أطراف توصيل البطارية وعزلها تجنباً لحدوث
قصر بالدائرة. عند التأكد من حماية حزمة البطارية من الحركة
داخل صندوق التغليف. يُرجى عدم نقل البطاريات التي بها تشققات أو
تسريبات. يُرجى البحث مع شركة الشحن عن نصيحة أخرى

البيانات الفنية		مقص معادن لاسلكي
M18 BMS20	M18 BMS12	
4776 44 02... ... 000001- 999999	4776 43 02... ... 000001- 999999	إنتاج عدد
18 V	18 V	فولطية البطارية
0 - 2500 min ⁻¹	0 - 2500 min ⁻¹	أقصى سرعة دون وجود حمل
180 mm	180 mm	الحد الأدنى لنصف قطر القطع
5,5 m/min	5,5 m/min	الحد الأقصى لقدرة القطع
2,0 mm	1,2 mm	معدي 400 N/mm ²
1,6 mm	0,95 mm	600 N/mm ²
1,2 mm	0,8 mm	800 N/mm ²
3,2 mm	2,0 mm	الألمنيوم 250 N/mm ²
2,34 kg	2,3 kg	الوزن وفقا لنهج EPTA رقم 01/2014 (2,0 Ah)
-18°C ... +50°C M18B... M12-18...	-18°C ... +50°C M18B... M12-18...	درجة حرارة البيئة المحيطة الممنوح بها من أجل التشغيل البطاريات الممنوح بها جهاز الشحن الممنوح به
معلومات الضوضاء		
القيم التي تم قياسها محددة وفقا للمعايير الأوروبية EN 62841 مستويات ضوضاء الجهاز، ترجيحاً بشكل نموذجي كالتالي:		
78,2 dB (A)	78,2 dB (A)	مستوى ضغط الصوت (الارتياح في القياس = 3 ديسيبل (أ))
89,2 dB (A)	89,2 dB (A)	مستوى شدة الصوت (الارتياح في القياس = 3 ديسيبل (أ))
ارتد وإقيات الأذن!		
معلومات الاهتزاز		
قيم الذبذبات الإجمالي (مجموع الكميات الموجبة في المحاور الثلاثة) محددة وفقا للمعايير الأوروبية EN 62841.		
7,07 m/s ²	4,75 m/s ²	قيمة انبعاث الذبذبات a _h
1,5 m/s ²	1,5 m/s ²	الارتياح في القياس



تحذير

تم قياس مستوى الاهتزاز وانبعاث الضوضاء الوارد في ورقة المعلومات هذه، وفقاً لاختبار قياسي محدد في المواصفة، EN 62841 ويمكن استخدامه لمقارنة آلة مع أخرى. كما يمكن استخدام ذلك أيضاً في إجراء تقييم أولي للتعرض.

يمثل مستوى الاهتزاز وانبعاث الضوضاء المعلن عنه الاستخدامات الأساسية للآلة. ومع ذلك، إذا استُعملت الآلة في استخدامات مختلفة، أو بملحقات مختلفة، أو تم صيانتها على نحو سيئ، فقد يختلف مستوى الاهتزاز وانبعاث الضوضاء. وهذا قد يزيد -إلى حد كبير- من مستوى التعرض خلال مدة العمل الإجمالية.

عند تقييم مستوى التعرض للاهتزاز والضوضاء، ينبغي أيضاً أن يوضع في الاعتبار فترات إطفاء الآلة أو تشغيلها دون أن تقوم بأي وظيفة فعلياً. فهذا قد يقلل -إلى حد كبير- من مستوى التعرض خلال مدة العمل الإجمالية.

تعرف على تدابير السلامة الإضافية؛ لحماية المشغل من تأثيرات الاهتزاز أو الضوضاء أو كليهما، مثل: صيانة الآلة وملحقاتها، والحفاظ على دفة اليدين، وتنظيم نماذج العمل.

عند القطع، أمسك الأداة بحيث تكون الشفرات متصلة بإحكام مع المواد للقطع السريع. اضغط بصورة متساوية. يؤدي الضغط العالي إلى انحسار الأداة أو قد يتسبب في قطع خشن.

يرجى منكم مراعاة، أن الجهاز يعود للعمل تلقائياً مرة أخرى وبنفس عدد دورات العمل الأصلية عند زوال التحميل. لا تضع الآلة الكهربائية جانباً حتى تتوقف الملحقات الدوارة عن الحركة تماماً. قد تنتشر الأداة، مما يسبب فقدان السيطرة على الآلة.

انزع البطارية قبل التعامل مع الجهاز.

تحذير! تحذير! لتجنب أخطار الحريق أو الإصابة أو الإضرار بالمنتج التي تنجم عن الماس الكهربائي، لا تعمر الأداة أو البطارية القابلة للاستبدال أو جهاز الشحن في السوائل وأحرص على أن لا تصل السوائل إلى داخل الجهاز والبطارية. السوائل المؤدية للتآكل أو الموصل للتيار الكهربائي، مثل الماء المالح ومركبات كيميائية

تحذير! اقرأ جميع تحذيرات السلامة وجميع التعليمات، بما فيها. قد يؤدي عدم مراعاة التعليمات المدرجة أدناه إلى التعرض للإصابة بصدمة كهربية أو الحرق و/أو إصابة خطيرة.
احتفظ بجميع التنبيهات والتعليمات للرجوع إليها مستقبلاً.

تعليمات السلامة الخاصة بمقص المعادن

استخدم الآلات والملحقات والأدوات وغيرها كما هو موضح في هذه التعليمات. يجب مراعاة حالة العمل ونوعه. قد يؤدي استخدام الماكينات في غرض غير المخصص لها إلى حدوث مواقف خطيرة.

ارتد نظارات الوقاية عند استخدام الجهاز دائماً. ينصح بارتداء قفازات الوقاية، الأحذية القوية غير المنزلة والممزرة.

قم بتأمين القطعة المستخدمة من المواد في تجهيزة تثبيت. القطع المستخدمة من المواد الغير مرنة يمكن أن تسبب في إصابات وأضرار حادة.

Copyright 2020
Techtronic Industries GmbH
Max-Eyth-Straße 10
71364 Winnenden
Germany
+49 (0) 7195-12-0
www.milwaukeeetool.eu

Techtronic Industries (UK) Ltd
Fieldhouse Lane
Marlow Bucks SL7 1HZ
UK



**EAC UK
CA**

(11.20)

4931 4255 03