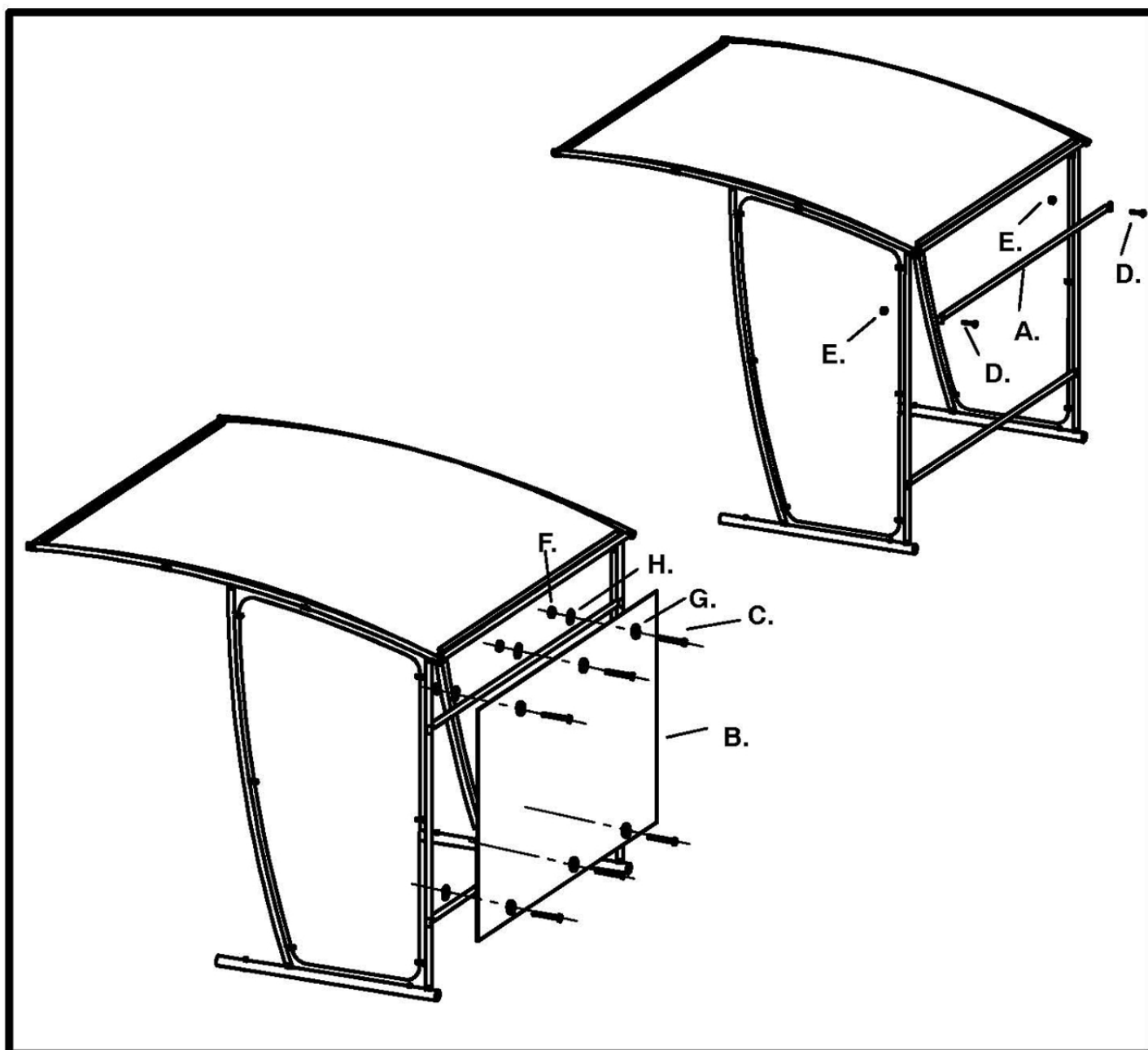

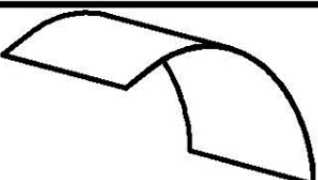
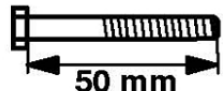
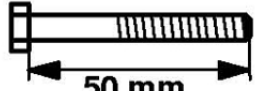






# SUPPLEMENT B806

## BARDAGE DE FOND POUR B805

### Notice de montage



<p>A.  x1</p>	<p>B.  x1</p>
<p>C.  M6x50 x6</p>	<p>D.  M8x50 x2</p>
<p>E.  M8 x2</p>	<p>F.  M6 x6</p>
<p>G.  <math>\varnothing 6 \times \varnothing 14</math> x6</p>	<p>H.  <math>\varnothing 6 \times \varnothing 14</math> x6</p>