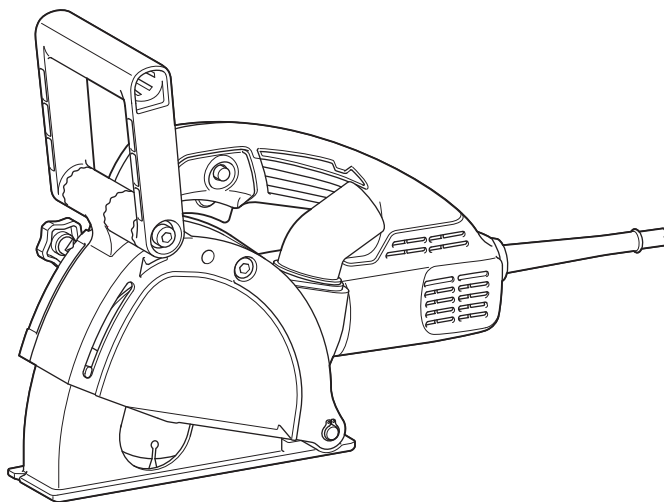
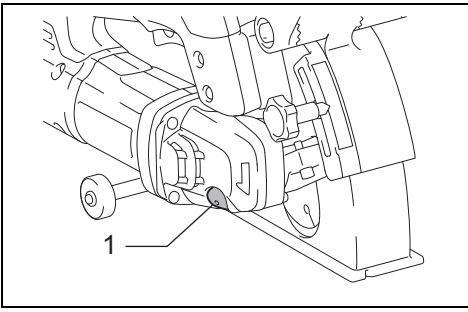




GB	Wall Chaser	Instruction Manual
F	Rainureuse à Béton	Manuel d'instructions
D	Mauernutfräse	Betriebsanleitung
I	Scanalatore per muri	Istruzioni per l'uso
NL	Sleuvenzaag	Gebruiksaanwijzing
E	Ranuradora	Manual de instrucciones
P	Cortadora de Parede	Manual de instruções
DK	Rillefræser	Brugsanvisning
GR	Αυλακωτής τοίχων	Οδηγίες χρήσεως
TR	Kanal Açma	Kullanma kılavuzu

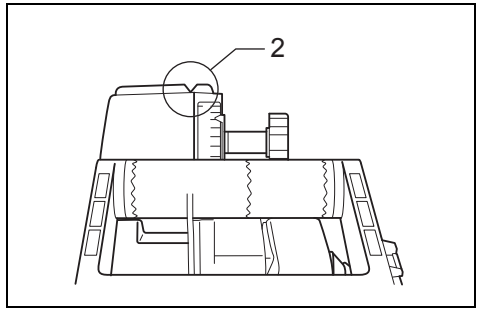
SG1251





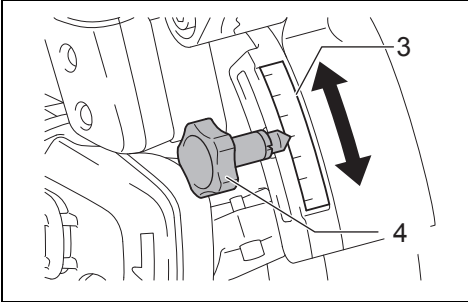
1

015036



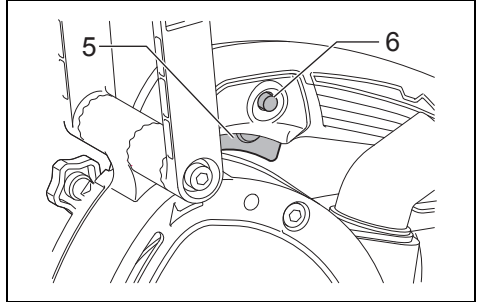
2

004497



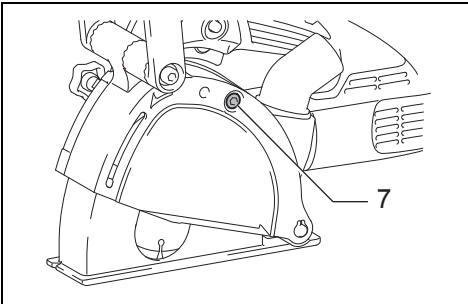
3

015077



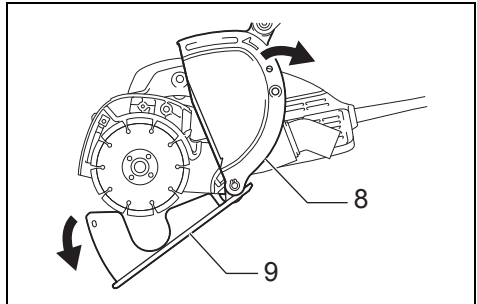
4

015038



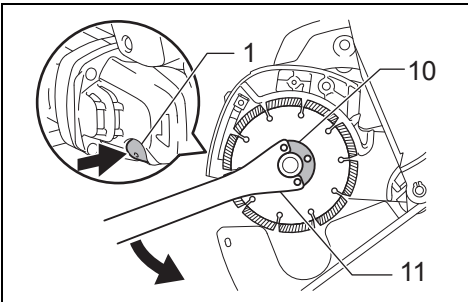
5

015039



6

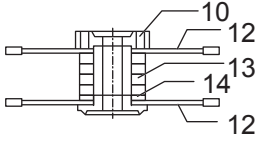
015040



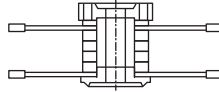
7

015053

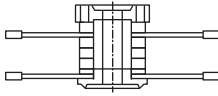
Groove width: 30 mm



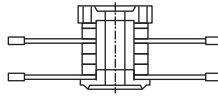
Groove width: 27 mm



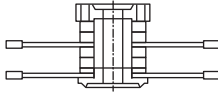
Groove width: 24 mm



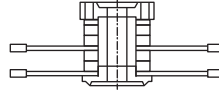
Groove width: 21 mm



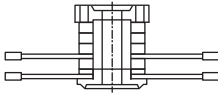
Groove width: 18 mm



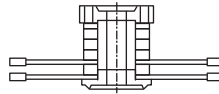
Groove width: 15 mm



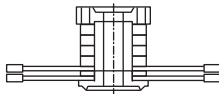
Groove width: 12 mm

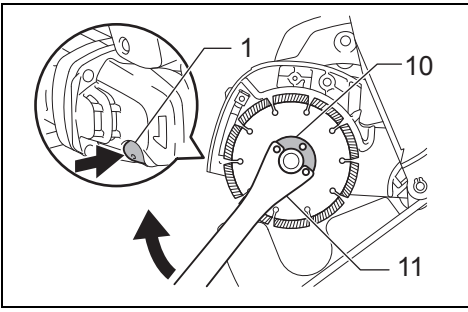


Groove width: 9 mm



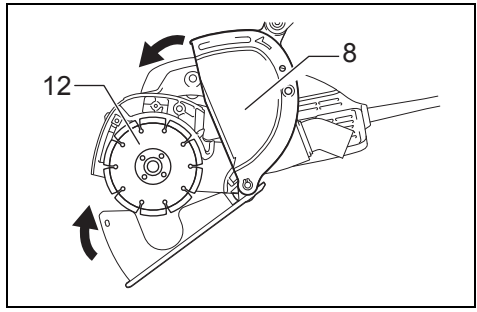
Groove width: 6 mm





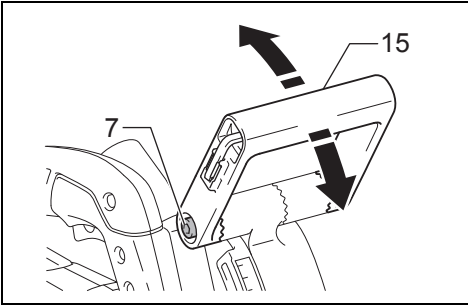
9

015054



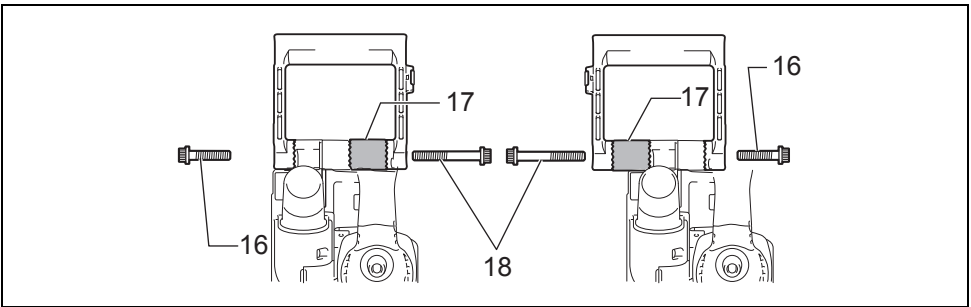
10

015047



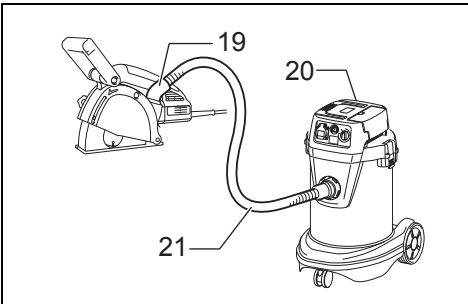
11

015042



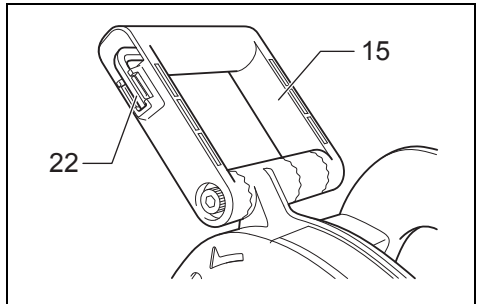
12

015043



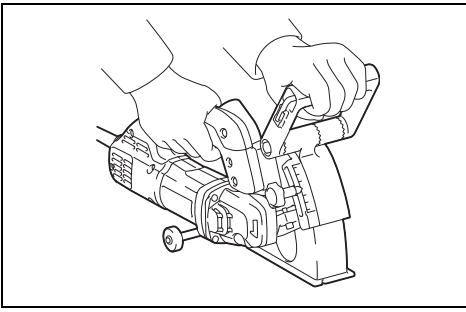
13

015046



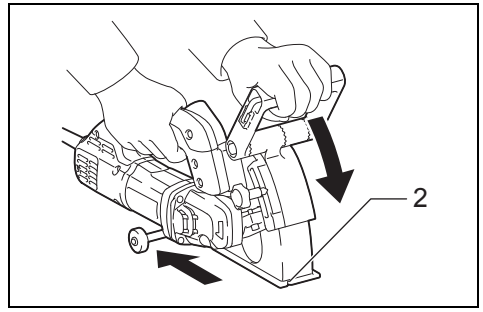
14

004508



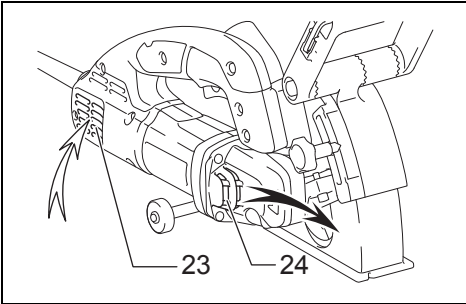
15

015076



16

015044



17

015045

Explanation of general view

1 Shaft lock	9 Tool base	17 Cam
2 Notch	10 Lock nut	18 Bolt (Long)
3 Scale	11 Lock nut wrench	19 Dust nozzle
4 Clamping screw	12 Diamond wheel	20 Vacuum cleaner
5 Switch trigger	13 Space ring 6 (6 mm thick)	21 Hose
6 Lock button / Lock-off button	14 Space ring 3 (3 mm thick)	22 Hex wrench
7 Bolt	15 Front handle	23 Inhalation vent
8 Blade case	16 Bolt (Short)	24 Exhaust vent

SPECIFICATIONS

Model	SG1251
Wheel diameter	125 mm
Max. wheel thickness	2.1 mm
Rated speed	10,000 min ⁻¹
Spindle thread	M14
Overall length	350 mm
Net weight	4.5 kg
Safety class	□/II

- Due to our continuing program of research and development, the specifications herein are subject to change without notice.
- Specifications may differ from country to country.
- Weight according to EPTA-Procedure 01/2003

ENE026-1

Intended use

The tool is intended for cutting tracks in concrete walls or cutting in ferrous materials or concrete drainage channels with a diamond wheel but without using water.

ENF002-2

Power supply

The tool should be connected only to a power supply of the same voltage as indicated on the nameplate, and can only be operated on single-phase AC supply. They are double-insulated and can, therefore, also be used from sockets without earth wire.

GEA010-1

General Power Tool Safety Warnings

⚠ WARNING Read all safety warnings and all instructions. Failure to follow the warnings and instructions may result in electric shock, fire and/or serious injury.

Save all warnings and instructions for future reference.

GEB112-6

WALL CHASER SAFETY WARNINGS

1. **The guard provided with the tool must be securely attached to the power tool and positioned for maximum safety, so the least amount of wheel is exposed towards the operator. Position yourself and bystanders away from the plane of the rotating wheel.** The guard helps to protect operator from broken wheel fragments and accidental contact with wheel.

2. **Use only diamond cut-off wheels for your power tool.** Just because an accessory can be attached to your power tool, it does not assure safe operation.
3. **The rated speed of the accessory must be at least equal to the maximum speed marked on the power tool.** Accessories running faster than their rated speed can break and fly apart.
4. **Wheels must be used only for recommended applications. For example: do not grind with the side of cut-off wheel.** Abrasive cut-off wheels are intended for peripheral grinding, side forces applied to these wheels may cause them to shatter.
5. **Always use undamaged wheel flanges that are of correct diameter for your selected wheel.** Proper wheel flanges support the wheel thus reducing the possibility of wheel breakage.
6. **The outside diameter and the thickness of your accessory must be within the capacity rating of your power tool.** Incorrectly sized accessories cannot be adequately guarded or controlled.
7. **The arbour size of wheels and flanges must properly fit the spindle of the power tool.** Wheels and flanges with arbour holes that do not match the mounting hardware of the power tool will run out of balance, vibrate excessively and may cause loss of control.
8. **Do not use damaged wheels. Before each use, inspect the wheels for chips and cracks. If power tool or wheel is dropped, inspect for damage or install an undamaged wheel. After inspecting and installing the wheel, position yourself and bystanders away from the plane of the rotating wheel and run the power tool at maximum no load speed for one minute.** Damaged wheels will normally break apart during this test time.

9. **Wear personal protective equipment. Depending on application, use face shield, safety goggles or safety glasses. As appropriate, wear dust mask, hearing protectors, gloves and shop apron capable of stopping small abrasive or workpiece fragments.** The eye protection must be capable of stopping flying debris generated by various operations. The dust mask or respirator must be capable of filtering particles generated by your operation. Prolonged exposure to high intensity noise may cause hearing loss.
10. **Keep bystanders a safe distance away from work area. Anyone entering the work area must wear personal protective equipment.** Fragments of workpiece or of a broken wheel may fly away and cause injury beyond immediate area of operation.
11. **Hold the power tool by insulated gripping surfaces only, when performing an operation where the cutting accessory may contact hidden wiring or its own cord.** Cutting accessory contacting a “live” wire may make exposed metal parts of the power tool “live” and could give the operator an electric shock.
12. **Position the cord clear of the spinning accessory.** If you lose control, the cord may be cut or snagged and your hand or arm may be pulled into the spinning wheel.
13. **Never lay the power tool down until the accessory has come to a complete stop.** The spinning wheel may grab the surface and pull the power tool out of your control.
14. **Do not run the power tool while carrying it at your side.** Accidental contact with the spinning accessory could snag your clothing, pulling the accessory into your body.
15. **Regularly clean the power tool’s air vents.** The motor’s fan will draw the dust inside the housing and excessive accumulation of powdered metal may cause electrical hazards.
16. **Do not operate the power tool near flammable materials.** Sparks could ignite these materials.
17. **Do not use accessories that require liquid coolants.** Using water or other liquid coolants may result in electrocution or shock.

Kickback and related warnings

Kickback is a sudden reaction to a pinched or snagged rotating wheel. Pinching or snagging causes rapid stalling of the rotating wheel which in turn causes the uncontrolled power tool to be forced in the direction opposite of the wheel’s rotation at the point of the binding.

For example, if an abrasive wheel is snagged or pinched by the workpiece, the edge of the wheel that is entering into the pinch point can dig into the surface of the material causing the wheel to climb out or kick out. The wheel may either jump toward or away from the operator, depending on direction of the wheel’s movement at the point of pinching. Abrasive wheels may also break under these conditions.

Kickback is the result of power tool misuse and/or incorrect operating procedures or conditions and can be avoided by taking proper precautions as given below.

- a) **Maintain a firm grip on the power tool and position your body and arm to allow you to resist kickback forces. Always use auxiliary handle, if provided, for maximum control over kickback or torque reaction during start-up.** The operator can control torque reactions or kickback forces, if proper precautions are taken.
 - b) **Never place your hand near the rotating accessory.** Accessory may kickback over your hand.
 - c) **Do not position your body in line with the rotating wheel.** Kickback will propel the tool in direction opposite to the wheel’s movement at the point of snagging.
 - d) **Use special care when working corners, sharp edges etc. Avoid bouncing and snagging the accessory.** Corners, sharp edges or bouncing have a tendency to snag the rotating accessory and cause loss of control or kickback.
 - e) **Do not attach a saw chain, woodcarving blade, segmented diamond wheel with a peripheral gap greater than 10 mm or toothed saw blade.** Such blades create frequent kickback and loss of control.
 - f) **Do not “jam” the wheel or apply excessive pressure. Do not attempt to make an excessive depth of cut.** Overstressing the wheel increases the loading and susceptibility to twisting or binding of the wheel in the cut and the possibility of kickback or wheel breakage.
 - g) **When wheel is binding or when interrupting a cut for any reason, switch off the power tool and hold the power tool motionless until the wheel comes to a complete stop. Never attempt to remove the wheel from the cut while the wheel is in motion otherwise kickback may occur.** Investigate and take corrective action to eliminate the cause of wheel binding.
 - h) **Do not restart the cutting operation in the workpiece. Let the wheel reach full speed and carefully re-enter the cut.** The wheel may bind, walk up or kickback if the power tool is restarted in the workpiece.
 - i) **Support panels or any oversized workpiece to minimize the risk of wheel pinching and kickback.** Large workpieces tend to sag under their own weight. Supports must be placed under the workpiece near the line of cut and near the edge of the workpiece on both sides of the wheel.
 - j) **Use extra caution when making a “pocket cut” into existing walls or other blind areas.** The protruding wheel may cut gas or water pipes, electrical wiring or objects that can cause kickback.
18. **Before using a segmented diamond wheel, make sure that the diamond wheel has the peripheral gap between segments of 10 mm or less, only with a negative rake angle.**

Additional Safety Warnings:

19. **Never attempt to cut with the tool held upside down in a vise. This can lead to serious accidents, because it is extremely dangerous.**
20. **Some material contains chemicals which may be toxic. Take caution to prevent dust inhalation and skin contact. Follow material supplier safety data.**
21. **Store wheels as per manufacturer recommendations. Improper storage may damage the wheels.**

SAVE THESE INSTRUCTIONS.

⚠ WARNING:

DO NOT let comfort or familiarity with product (gained from repeated use) replace strict adherence to safety rules for the subject product. MISUSE or failure to follow the safety rules stated in this instruction manual may cause serious personal injury.

FUNCTIONAL DESCRIPTION

⚠ CAUTION:

- Always be sure that the tool is switched off and unplugged before adjusting or checking function on the tool.

Shaft lock (Fig. 1)

⚠ CAUTION:

- Never actuate the shaft lock when the spindle is moving. The tool may be damaged.

Press the shaft lock to prevent spindle rotation when installing or removing accessories.

Sighting (Fig. 2)

There are notches on the front and rear of the base. This is helpful for an operator to follow a straight cutting line.

Adjusting the grooving depth (Fig. 3)

The grooving depth can be adjusted between 0 mm and 30 mm.

Loosen the clamping screw and adjust the pointer to your desired depth graduation on the scale.

Then tighten the clamping screw firmly.

Switch action (Fig. 4)

⚠ CAUTION:

- Before plugging in the tool, always check to see that the switch trigger actuates properly and returns to the "OFF" position when released.

For tool with lock button

⚠ CAUTION:

- Switch can be locked in "ON" position for ease of operator comfort during extended use. Apply caution when locking tool in "ON" position and maintain firm grasp on tool.

To start the tool, simply pull the switch trigger. Release the switch trigger to stop.

For continuous operation, pull the switch trigger, push in the lock button and then release the switch trigger.

To stop the tool from the locked position, pull the switch trigger fully, then release it.

For tool with lock-off button

⚠ CAUTION:

- Do not pull the switch trigger hard without pressing in the lock-off button. This can cause switch breakage.

To prevent the switch trigger from being accidentally pulled, a lock-off button is provided.

To start the tool, depress the lock-off button and pull the switch trigger. Release the switch trigger to stop.

For tool without lock button / lock-off button

To start the tool, simply pull the switch trigger. Release the switch trigger to stop.

Electronic function

The tools equipped with electronic function are easy to operate because of the following features.

Constant speed control

Electronic speed control for obtaining constant speed. Possible to get fine finish, because the rotating speed is kept constant even under load condition.

Soft start

Soft-start feature minimizes start-up shock, and makes the tool start smoothly.

Overload protector

When the tool would be employed over the admissible load, it will stop automatically to protect the motor and wheel. When the load will come to the admissible level again, the tool can be started automatically.

ASSEMBLY

⚠ CAUTION:

- Always be sure that the tool is switched off and unplugged before carrying out any work on the tool.

Removing the diamond wheels (Fig. 5, 6 & 7)

Loosen and remove the bolt with the hex wrench.

Open the blade case while holding the tool base.

NOTE:

- The tool base will open at a stroke by the spring force.

Rotate the diamond wheels while pressing the shaft lock until it engages.

Remove the lock nut by rotating it counterclockwise with the lock nut wrench.

Remove the diamond wheels and space rings.

Adjusting the groove width (the distance between the two diamond wheels)

Adjust the grooving width by changing the number of the space rings as shown in the table. (Fig. 8)

Installing the diamond wheels (Fig. 9 & 10)

Mount the diamond wheel carefully onto the spindle.

Align the directions of the arrow on the diamond wheel and the tool. Install space rings, the other diamond wheel and the lock nut.

Tighten the lock nut securely clockwise with the lock nut wrench while pressing the shaft lock.

Return the blade case and tool base to the original position and tighten the bolt to secure them.

Adjusting the front handle angle (Fig. 11)

Loosen the two bolts on both sides of the front handle with the hex wrench. Move the front handle to your desired angle and tighten the two bolts firmly.

NOTE:

- When the handle cannot be moved easily, loosen the bolts furthermore.

Shifting the front handle sideways (Fig. 12)

Remove the two bolts on both sides of the front handle with the hex wrench. Change the position of the cam. Insert the longer bolt to the side close to the cam and the shorter one to the opposite side. Tighten the two bolts firmly.

Connecting to vacuum cleaner (Fig. 13)

When using Makita dust collector, connect the hose for the vacuum cleaner directly to the dust nozzle.

NOTE:

- The dust nozzle can be rotated freely so that you can use it at any angle according to your operation.

Hex wrench storage (Fig. 14)

When not in use, store the hex wrench to keep it from being lost.

OPERATION**⚠ CAUTION:**

- Be sure to pull the tool when cutting a workpiece.
- Use this tool for straight line cutting only. Cutting curves can cause stress cracks or fragmentation of the diamond wheels resulting in possible injury to persons in the vicinity.
- After operation, always switch off the tool and wait until the diamond wheels come to a complete stop before putting the tool down.
- Hold the tool firmly with one hand on the switch handle and the other hand on the front grip when performing the tool.

Hold the tool firmly with both hands. First keep the diamond wheels without making any contact with a workpiece. Then turn the tool on and wait until the diamond wheels attain full speed. (Fig. 15)

To cut a workpiece, pull the tool toward you (not by pushing away from you). Align the notch on the base with your cutting line. Push down the front handle gently until it stops and then pull the tool slowly. (Fig. 16)

Before finishing cutting operation and raising the tool, switch it off first. Wait until the diamond wheels stop completely and then raise the tool.

Remove the remaining portion between the two blade passages by other appropriate tools.

MAINTENANCE**⚠ CAUTION:**

- Always be sure that the tool is switched off and unplugged before attempting to perform inspection or maintenance.
- Never use gasoline, benzine, thinner, alcohol or the like. Discoloration, deformation or cracks may result.

The tool and its air vents have to be kept clean. Regularly clean the tool's air vents or whenever the vents start to become obstructed. (Fig. 17)

Dressing diamond wheel

If the cutting action of the diamond wheel begins to diminish, use an old discarded coarse grit bench grinder wheel or concrete block to dress the diamond wheel. To do this, tightly secure the bench grinder wheel or concrete block and cut in it.

To maintain product SAFETY and RELIABILITY, repairs, carbon brush inspection and replacement, any other maintenance or adjustment should be performed by Makita Authorized Service Centers, always using Makita replacement parts.

OPTIONAL ACCESSORIES**⚠ CAUTION:**

- These accessories or attachments are recommended for use with your Makita tool specified in this manual. The use of any other accessories or attachments might present a risk of injury to persons. Only use accessory or attachment for its stated purpose.

If you need any assistance for more details regarding these accessories, ask your local Makita Service Center.

- Diamond wheels

NOTE:

- Some items in the list may be included in the tool package as standard accessories. They may differ from country to country.

ENG905-1

Noise

The typical A-weighted noise level determined according to EN60745:

Sound pressure level (L_{pA}): 97 dB (A)

Sound power level (L_{WA}): 108 dB (A)

Uncertainty (K): 3 dB (A)

Wear ear protection

ENG900-1

Vibration

The vibration total value (tri-axial vector sum) determined according to EN60745:

Work mode: concrete cutting

Vibration emission (a_{hV}): 5.0 m/s²

Uncertainty (K): 1.5 m/s²

ENG901-1

- The declared vibration emission value has been measured in accordance with the standard test method and may be used for comparing one tool with another.
- The declared vibration emission value may also be used in a preliminary assessment of exposure.

⚠ WARNING:

- The vibration emission during actual use of the power tool can differ from the declared emission value depending on the ways in which the tool is used.
- Be sure to identify safety measures to protect the operator that are based on an estimation of exposure in the actual conditions of use (taking account of all parts of the operating cycle such as the times when the tool is switched off and when it is running idle in addition to the trigger time).

For European countries only

EC Declaration of Conformity

Makita declares that the following Machine(s):

Designation of Machine:

Wall Chaser

Model No./ Type: SG1251

Conforms to the following European Directives:

2006/42/EC

They are manufactured in accordance with the following standard or standardized documents:

EN60745

The technical file in accordance with 2006/42/EC is available from:

Makita, Jan-Baptist Vinkstraat 2, 3070, Belgium

7.2.2014



Yasushi Fukaya
Director

Makita, Jan-Baptist Vinkstraat 2, 3070, Belgium

Descriptif

1 Verrouillage de l'arbre	9 Base de l'outil	16 Boulon (court)
2 Entaille	10 Contre-écrou	17 Came
3 Échelle	11 Clé à contre-écrou	18 Boulon (long)
4 Vis de blocage	12 Meule diamantée	19 Raccord à poussières
5 Gâchette	13 Bague entretoise 6 (épaisseur de 6 mm)	20 Aspirateur
6 Bouton de verrouillage / bouton de déverrouillage	14 Bague entretoise 3 (épaisseur de 3 mm)	21 Tuyau
7 Boulon	15 Poignée avant	22 Clé hexagonale
8 Carter de protection des lames		23 Orifice d'aération
		24 Sortie d'air

SPÉCIFICATIONS

Modèle	SG1251
Diamètre du disque	125 mm
Épaisseur max. de la meule	2,1 mm
Vitesse nominale	10 000 min ⁻¹
Filetage de l'arbre	M14
Longueur totale	350 mm
Poids net	4,5 kg
Catégorie de sécurité	II/III

GEB112-6

- Étant donné l'évolution constante de notre programme de recherche et de développement, les spécifications contenues dans ce manuel sont sujettes à modification sans préavis.
- Les spécifications peuvent varier suivant les pays.
- Poids selon la procédure EPTA 01/2003

ENE026-1

Utilisations

L'outil est prévu pour la coupe de lignes dans les murs de béton ou pour la coupe de matériaux ferreux ou de canaux de canalisation en béton, au moyen d'un disque diamanté, sans utilisation d'eau.

ENF002-2

Alimentation

L'outil ne devra être raccordé qu'à une alimentation de la même tension que celle qui figure sur la plaque signalétique, et il ne pourra fonctionner que sur un courant secteur monophasé. Réalisé avec une double isolation, il peut de ce fait être branché sur une prise sans mise à la terre.

GEA010-1

Consignes de sécurité générales pour outils électriques

⚠ AVERTISSEMENT Veuillez lire toutes les mises en garde et toutes les instructions. Il y a risque de choc électrique, d'incendie et/ou de blessure grave si les mises en garde et les instructions ne sont pas respectées.

Conservez toutes les mises en garde et instructions pour référence ultérieure.

CONSIGNES DE SÉCURITÉ POUR RAINUREUSE À BETON

1. **Le protecteur fourni avec l'outil doit être fixé fermement sur l'outil électrique et placé en vue d'une sécurité maximale, de sorte qu'une moindre surface de meule soit exposée en direction de l'utilisateur. Écartez-vous (et éloignez les curieux) de l'axe de la meule rotative.** Le protecteur permet de protéger l'utilisateur des éclats de meule brisée et d'un contact accidentel avec la meule.
2. **Utilisez uniquement des meules de découpage diamantées avec votre outil électrique.** Ce n'est pas parce qu'un accessoire se fixe correctement sur votre outil électrique que son utilisation en toute sécurité est garantie.
3. **La vitesse nominale de l'accessoire doit être au moins égale à la vitesse maximale indiquée sur l'outil électrique.** Les accessoires utilisés à une vitesse supérieure à leur vitesse nominale peuvent se casser et voler en éclats.
4. **Les meules ne doivent être utilisées que pour les applications recommandées. Par exemple : ne procédez pas au meulage avec le côté de la meule de découpage.** Les meules de découpage abrasif sont conçues pour un meulage périphérique. Exercer une force latérale sur ces meules peut les briser.
5. **Utilisez toujours des flasques pour meule en bon état, au diamètre convenant à la meule sélectionnée.** Des flasques pour meule adéquates soutiennent la meule, diminuant ainsi la possibilité d'une rupture de la meule.

6. **Le diamètre extérieur et l'épaisseur de l'accessoire ne doivent pas dépasser la capacité nominale de l'outil électrique.** La maîtrise et la protection des accessoires de format incorrect ne peuvent être garantis.
7. **L'orifice des meules et des flasques doit s'insérer parfaitement sur la broche de l'outil électrique.** Des meules et des flasques dont l'orifice central ne correspond pas au matériel de montage de l'outil électrique tourneront sans équilibre, vibreront excessivement et pourront entraîner une perte du contrôle.
8. **N'utilisez pas de meules endommagées. Avant chaque utilisation, vérifiez que les meules ne sont pas fissurées ou écaillées. Si vous faites tomber l'outil électrique ou la meule, vérifiez qu'ils ne sont pas abîmés ou bien remplacez la meule endommagée. Après avoir vérifié et posé la meule, écarter-vous (et éloignez les curieux) de l'axe de la meule rotative et faites tourner l'outil électrique en régime à vide maximum pendant une minute.** Les meules endommagées se brisent généralement au cours de cette période d'essai.
9. **Portez des dispositifs de protection personnelle. Suivant le type de travail à effectuer, utilisez un écran facial, des lunettes étanches ou des lunettes de sécurité. Au besoin, portez aussi un masque antipoussières, des protections d'oreilles, des gants de travail et un tablier de travail pouvant résister aux petits éclats abrasifs et aux fragments de pièce.** La protection des yeux doit pouvoir arrêter les débris éjectés lors des divers travaux. Le masque antipoussières ou le masque filtrant doit pouvoir filtrer les particules générées lors des travaux. L'exposition prolongée à un bruit d'intensité élevée peut entraîner la surdité.
10. **Tenez les passants à une distance sûre de l'espace de travail. Toute personne pénétrant dans l'espace de travail doit porter un équipement de protection individuelle.** Des fragments provenant de la pièce de travail ou d'une meule cassée peuvent voler en éclats et blesser les personnes se trouvant dans la zone immédiate de travail.
11. **Tenez l'outil électrique par une surface de prise isolée uniquement, lorsque vous effectuez une tâche où l'accessoire de découpe pourrait toucher un câblage caché ou son propre cordon d'alimentation.** Un accessoire de découpe en contact avec un câble sous tension risque de "mettre à découvert les pièces métalliques de l'outil électrique sous tension et pourrait" et pourrait électrocuter l'utilisateur.
12. **Placez le cordon à l'écart de l'accessoire en rotation.** Si vous perdez le contrôle, le cordon risque d'être coupé ou tiré, et votre main ou votre bras peuvent être happés par la meule en rotation.
13. **Assurez-vous que l'accessoire est complètement arrêté avant de poser l'outil.** La meule en rotation risque de s'accrocher à la surface et vous faire perdre le contrôle de l'outil.
14. **Ne laissez pas tourner l'outil électrique lorsque vous le transportez.** L'accessoire tournant risquerait d'entrer accidentellement en contact avec vos vêtements et d'être ensuite attiré vers votre corps.
15. **Nettoyez régulièrement les orifices de ventilation de l'outil électrique.** Le ventilateur du moteur attire la poussière à l'intérieur du carter et l'accumulation excessive de poudre métallique peut causer un danger électrique.
16. **N'utilisez pas l'outil électrique près des matériaux inflammables.** Les étincelles peuvent allumer ces matériaux.
17. **N'utilisez pas d'accessoires pour lesquels l'utilisation d'un liquide de refroidissement est nécessaire.** L'utilisation d'eau ou d'un liquide de refroidissement comporte un risque d'électrocution ou de choc électrique.

Mises en garde concernant les chocs en retour

Le choc en retour est une réaction soudaine qui survient lorsque la meule en rotation se coince ou accroche. Lorsque la meule en rotation se coince ou accroche, elle s'arrête soudainement et l'utilisateur perd alors la maîtrise de l'outil électrique projeté dans le sens contraire de sa rotation au point où elle se coince dans la pièce.

Par exemple, si une meule abrasive accroche ou se coince dans la pièce, son tranchant risque d'y creuser la surface du matériau, avec pour conséquence que la meule remontera ou bondira. La meule risque alors de bondir vers l'utilisateur ou en sens opposé, suivant son sens de déplacement au point où elle se coince dans la pièce. Dans de telles situations, la meule abrasive risque aussi de casser.

Le choc en retour est le résultat d'une mauvaise utilisation de l'outil électrique et/ou de procédures ou conditions inadéquates de travail. Il peut être évité en prenant les mesures appropriées, tel qu'indiqué ci-dessous.

- a) **Maintenez une poigne ferme sur l'outil électrique, et placez corps et bras de façon à assurer une bonne résistance aux forces de choc en retour. Utilisez toujours la poignée auxiliaire lorsque cette dernière est disponible, pour assurer une maîtrise maximale de l'outil en cas de choc en retour ou de réaction de couple au moment du démarrage.** L'utilisateur peut maîtriser l'effet de la réaction de couple ou du choc en retour s'il prend les précautions nécessaires.
- b) **Ne placez jamais la main près d'un accessoire en rotation.** L'accessoire risquerait de passer sur la main en cas de choc en retour.
- c) **Ne vous placez pas dans l'axe de la meule rotative.** Le choc en retour projettera l'outil dans le sens opposé au mouvement de la meule au point où elle accroche dans la pièce.
- d) **Soyez tout particulièrement prudent lorsque vous travaillez dans les coins, sur des bords tranchants, etc. Évitez de laisser l'accessoire bondir ou accrocher.** L'accessoire en rotation a tendance à accrocher, entraînant une perte de maîtrise ou un choc en retour, au contact des coins et des bords tranchants, ou lorsqu'il bondit.

- e) **Ne fixez pas une scie à chaîne, une gouge de sculpture sur bois, une meule diamantée segmentée ayant une fente périphérique supérieure à 10 mm ou une lame dentée.** De telles lames causent fréquemment des chocs en retour et des pertes de maîtrise.
 - f) **Ne bloquez pas la meule, ni n'exercez une pression excessive. N'essayez pas de faire une coupe de profondeur excessive.** Il y a risque de torsion ou de coincement de la meule dans la ligne de coupe si elle est soumise à une surcharge. Elle risque alors d'effectuer un choc en retour ou de casser.
 - g) **Lorsque la meule se coince ou lorsque vous interrompez la coupe pour une raison quelconque, mettez l'outil électrique hors tension et gardez-le immobile jusqu'à ce que la meule cesse complètement de tourner. N'essayez jamais de retirer la meule de la coupe pendant que la meule tourne, sous peine de provoquer un choc en retour.** Identifiez la cause du coincement de la meule et éliminez-la.
 - h) **Ne reprenez pas la coupe en laissant la meule telle quelle dans la pièce. Attendez que la meule ait atteint sa pleine vitesse avant de la réintroduire soigneusement dans la ligne de coupe.** Si vous redémarrez l'outil électrique alors qu'il se trouve encore dans la pièce à travailler, la meule risquera de se coincer, de remonter hors de la ligne de coupe ou de provoquer un choc en retour.
 - i) **Soutenez les panneaux ou pièces trop grandes pour minimiser les risques que la meule ne se coince et ne cause un choc en retour.** Les grandes pièces ont tendance à s'affaisser sous leur propre poids. Des supports doivent être installés sous la pièce près de la ligne de coupe et près des bords de la pièce, des deux côtés de la meule.
 - j) **Soyez extrêmement prudent lorsque vous effectuez une coupe en cul-de-sac dans un mur ou toute autre surface derrière laquelle peuvent se trouver des objets cachés.** La meule risquerait de couper des tuyaux de gaz ou d'eau, des fils électriques ou des objets pouvant causer un choc en retour.
18. **Avant d'utiliser une meule diamantée segmentée, assurez-vous que la meule diamantée présente une fente périphérique entre les segments de 10 mm ou moins, uniquement avec un angle incliné négatif.**

Consignes de sécurité supplémentaires :

- 19. **N'essayez jamais de couper avec l'outil maintenu à l'envers dans un étau. Cela pourrait entraîner de graves accidents, car cela est extrêmement dangereux.**
- 20. **Certains matériaux contiennent des produits chimiques susceptibles d'être toxiques. Prenez garde de ne pas avaler des poussières ou évitez tout contact avec la peau. Suivez les données de sécurité du fournisseur du matériau.**
- 21. **Entreposez les meules conformément aux recommandations du fabricant. Un entreposage incorrect risque d'endommager les meules.**

CONSERVEZ CES INSTRUCTIONS.

⚠ AVERTISSEMENT :

NE vous laissez PAS tromper (au fil d'une utilisation répétée) par un sentiment d'aisance et de familiarité avec le produit, en négligeant le respect rigoureux des consignes de sécurité qui accompagnent le produit en question. La MAUVAISE UTILISATION de l'outil ou l'ignorance des consignes de sécurité indiquées dans ce manuel d'instructions peut entraîner une blessure grave.

DESCRIPTION DU FONCTIONNEMENT

⚠ ATTENTION :

- Assurez-vous toujours que l'outil est hors tension et débranché avant de l'ajuster ou de vérifier son fonctionnement.

Verrouillage de l'arbre (Fig. 1)

⚠ ATTENTION :

- N'activez jamais le verrouillage de l'arbre pendant que l'axe tourne. Vous risqueriez d'abîmer l'outil.

Avant de poser ou de retirer des accessoires, appuyez sur le verrouillage de l'arbre pour empêcher l'arbre de tourner.

Visée (Fig. 2)

La base est munie d'entailles à l'avant et à l'arrière. Elles aident l'utilisateur à maintenir sa ligne de coupe bien droite.

Ajustement de la profondeur de la rainure (Fig. 3)

La plage de réglage de la profondeur de la rainure est comprise entre 0 mm et 30 mm.

Desserrez la vis de blocage et réglez la position du pointeur sur la graduation de l'échelle correspondant à la profondeur désirée.

Serrez ensuite la vis de blocage à fond.

Interrupteur (Fig. 4)

⚠ ATTENTION :

- Avant de brancher l'outil, vérifiez toujours que la gâchette fonctionne correctement et qu'elle revient sur la position "OFF" une fois relâchée.

Outil équipé d'un bouton de verrouillage

⚠ ATTENTION :

- Vous pouvez verrouiller l'interrupteur sur la position "ON" pour plus de confort en cas d'utilisation prolongée. Soyez prudent lorsque vous verrouillez l'outil sur la position "ON", et gardez une prise ferme sur l'outil.

Pour mettre l'outil en marche, tirez simplement sur la gâchette. Pour arrêter l'outil, libérez la gâchette.

Pour un fonctionnement continu, tirez sur la gâchette, enfoncez le bouton de verrouillage puis relâchez la gâchette.

Pour arrêter l'outil de la position verrouillée, tirez à fond sur la gâchette puis relâchez-la.

Outil équipé d'un bouton de déverrouillage

⚠ ATTENTION :

- N'appuyez pas sur la gâchette en forçant sans appuyer sur le bouton de déverrouillage. Vous risquez de casser la gâchette.

Le bouton de déverrouillage permet d'éviter d'appuyer accidentellement sur la gâchette.

Pour démarrer l'outil, appuyez sur le bouton de déverrouillage puis appuyez sur la gâchette. Pour arrêter l'outil, libérez la gâchette.

Outil sans bouton de verrouillage / bouton de déverrouillage

Pour mettre l'outil en marche, tirez simplement sur la gâchette. Pour arrêter l'outil, libérez la gâchette.

Fonctions électroniques

Les outils équipés des fonctions électroniques suivantes sont plus faciles à utiliser.

Commande de vitesse constante

Commande électronique de la vitesse pour l'obtention d'une vitesse constante. La vitesse restant constante même en charge, il est possible d'obtenir une belle finition.

Démarrage graduel

La fonction de démarrage graduel réduit au minimum le choc de démarrage, et permet un démarrage sans à-coups de l'outil.

Protection contre la surcharge

En cas de dépassement de la charge admissible de l'outil, celui-ci s'arrête automatiquement pour protéger le moteur et la meule. L'outil redémarre automatiquement lorsque la charge redescend à un niveau admissible.

ASSEMBLAGE

⚠ ATTENTION :

- Avant d'effectuer toute intervention sur l'outil, assurez-vous toujours qu'il est hors tension et débranché.

Retrait des meules diamantées (Fig. 5, 6 et 7)

Desserrez et retirez le boulon avec la clé hexagonale. Ouvrez le carter de protection des lames tout en tenant la base de l'outil.

NOTE :

- La base de l'outil s'ouvre d'un seul coup sous la force du ressort.

Tournez les meules diamantées tout en appuyant sur le verrouillage de l'arbre jusqu'à ce qu'il s'enclenche.

Retirez le contre-écrou en le tournant dans le sens inverse des aiguilles d'une montre avec la clé à contre-écrou.

Retirez les meules diamantées et les bagues entretoises.

Ajustement de la largeur de la rainure (distance entre les deux meules diamantées)

Ajustez la largeur de rainure en changeant le nombre de bagues entretoises, comme indiqué dans le tableau. (Fig. 8)

Installation des meules diamantées (Fig. 9 et 10)

Montez avec précaution les meules diamantées sur l'axe.

Alignez la flèche figurant sur la première meule diamantée avec la flèche correspondante sur l'outil. Installez les bagues entretoises, la seconde meule diamantée et le contre-écrou.

Serrez à fond le contre-écrou dans le sens des aiguilles d'une montre à l'aide de la clé à contre-écrou tout en appuyant sur le verrouillage de l'arbre.

Remettez le carter de protection des lames et la base de l'outil dans leur position initiale puis serrez le boulon pour les immobiliser.

Réglage de l'angle de la poignée avant (Fig. 11)

Desserrez les deux boulons de la poignée avant (un de chaque côté) avec la clé hexagonale. Réglez la position de la poignée avant sur l'angle souhaité puis serrez à fond les deux boulons.

NOTE :

- Si vous avez du mal à faire pivoter la poignée, desserrez davantage les boulons.

Décalage latéral de la poignée avant (Fig. 12)

Enlevez les deux boulons de la poignée avant (un de chaque côté) avec la clé hexagonale. Modifiez la position de la came.

Insérez le boulon le plus long du côté le plus proche de la came, et le boulon le plus court de l'autre côté. Serrez à fond les deux boulons.

Raccordement à un aspirateur (Fig. 13)

Lorsque vous utilisez un dispositif de collecte de poussières Makita, raccordez le tuyau de l'aspirateur directement au raccord à poussières.

NOTE :

- Le raccord à poussières peut tourner librement, il permet une utilisation sous l'angle le plus adapté au travail à effectuer.

Rangement de la clé hexagonale (Fig. 14)

Après l'utilisation, rangez la clé hexagonale pour éviter de l'égarer.

UTILISATION

⚠ ATTENTION :

- Lorsque vous coupez une pièce, vous devez tirer sur l'outil.
- Utilisez cet outil uniquement pour effectuer des coupes rectilignes. L'utilisation pour des coupes en courbe peut provoquer l'éclatement des meules diamantées ou l'apparition de fissures de contrainte sur celles-ci, ce qui comporte des risques de blessures pour toute personne présente à proximité.
- Une fois le travail terminé, mettez toujours l'outil hors tension et attendez l'arrêt complet des meules diamantées avant de poser l'outil.
- Lorsque vous utilisez l'outil, tenez-le fermement, avec une main sur la poignée revolver (gâchette) et l'autre sur la poignée avant.

Tenez l'outil fermement à deux mains. Maintenez l'outil sans mettre les meules diamantées en contact avec la pièce. Mettez ensuite l'outil en marche et attendez que les meules diamantées atteignent leur pleine vitesse. (Fig. 15)

La coupe s'effectue en tirant l'outil vers soi (et non en poussant dans la direction opposée). Alignez l'entaille de la base avec la ligne de coupe. Abaissez doucement la poignée avant jusqu'à ce qu'elle s'arrête, puis tirez lentement sur l'outil. (Fig. 16)

Éteignez l'outil avant de finir la coupe et de le soulever. Attendez l'arrêt complet des meules diamantées avant de soulever l'outil.

Utilisez des outils adaptés pour retirer le matériau restant entre les deux rainures de passage des lames.

ENTRETIEN

⚠ ATTENTION :

- Assurez-vous toujours que l'outil est hors tension et débranché avant d'y effectuer tout travail d'inspection ou d'entretien.
- N'utilisez jamais d'essence, de benzène, de diluant, d'alcool ou autre produit similaire, qui peuvent entraîner une décoloration, une déformation ou l'apparition de fissures.

L'outil et ses orifices d'aération doivent être maintenus propres. Nettoyez régulièrement les orifices d'aération de l'outil, ou chaque fois qu'ils commencent à se boucher. (Fig. 17)

Affûtage de la meule diamantée

Si la capacité de coupe de la meule diamantée commence à diminuer, utilisez un vieux touret à gros grain ou un bloc en béton pour l'affûter. Fixez solidement le touret ou le bloc en béton et coupez dedans.

Pour maintenir la SÉCURITÉ et la FIABILITÉ du produit, les réparations, l'inspection et le remplacement des charbons, tout autre travail d'entretien ou de réglage doivent être effectués dans un centre de service Makita agréé, exclusivement avec des pièces de rechange Makita.

ACCESSOIRES EN OPTION

⚠ ATTENTION :

- Ces accessoires ou pièces complémentaires sont recommandés pour l'utilisation avec l'outil Makita spécifié dans ce mode d'emploi. L'utilisation de tout autre accessoire ou pièce complémentaire peut comporter un risque de blessure. N'utilisez les accessoires ou pièces qu'aux fins auxquelles ils ont été conçus.

Si vous désirez obtenir plus de détails concernant ces accessoires, veuillez contacter le centre de service après-vente Makita le plus près.

- Meules diamantées

NOTE :

- Il se peut que certains éléments de la liste soient compris dans l'emballage de l'outil en tant qu'accessoires standard. Ils peuvent varier d'un pays à l'autre.

Bruit

Niveau de bruit pondéré A typique, déterminé selon EN60745 :

- Niveau de pression sonore (L_{pA}): 97 dB (A)
- Niveau de puissance sonore (L_{WA}): 108 dB (A)
- Incertitude (K): 3 dB (A)

Porter des protecteurs anti-bruit

Vibrations

Valeur totale de vibrations (somme de vecteur triaxial) déterminée selon EN60745 :

- Mode de travail : coupe du béton
- Émission de vibrations (a_h): 5,0 m/s²
- Incertitude (K): 1,5 m/s²

- La valeur d'émission de vibrations déclarée a été mesurée conformément à la méthode de test standard et peut être utilisée pour comparer les outils entre eux.
- La valeur d'émission de vibrations déclarée peut aussi être utilisée pour l'évaluation préliminaire de l'exposition.

⚠ AVERTISSEMENT :

- L'émission de vibrations lors de l'usage réel de l'outil électrique peut être différente de la valeur d'émission déclarée, suivant la façon dont l'outil est utilisé.
- Les mesures de sécurité à prendre pour protéger l'utilisateur doivent être basées sur une estimation de l'exposition dans des conditions réelles d'utilisation (en tenant compte de toutes les composantes du cycle d'utilisation, comme par exemple le moment de sa mise hors tension, lorsqu'il tourne à vide et le moment de son déclenchement).

ENH101-18

Pour les pays d'Europe uniquement

Déclaration de conformité CE

Makita déclare que la (les) machine(s) suivante(s) :

Désignation de la machine :

Rainureuse à Béton

N° de modèle / Type : SG1251

sont conformes aux directives européennes suivantes :

2006/42/CE

et sont fabriquées conformément aux normes ou aux documents normalisés suivants :

EN60745

La documentation technique conforme à la norme 2006/42/CE est disponible auprès de :

Makita, Jan-Baptist Vinkstraat 2, 3070, Belgique

7.2.2014



Yasushi Fukaya
Directeur

Makita, Jan-Baptist Vinkstraat 2, 3070, Belgique

ENG905-1

ENG900-1

Übersicht

1 Spindelarretierung	9 Gleitplatte	18 Schraube (lang)
2 Kerbe	10 Sicherungsmutter	19 Absaugstutzen
3 Skala	11 Sicherungsmutterschlüssel	20 Sauggerät
4 Klemmschraube	12 Diamantscheibe	21 Schlauch
5 Elektronikschalter	13 Abstandsring 6 (6 mm Dicke)	22 Inbusschlüssel
6 Arretierknopf/ Einschaltsperrknopf	14 Abstandsring 3 (3 mm Dicke)	23 Einlassöffnung
7 Schraube	15 Frontgriff	24 Auslassöffnung
8 Schutzhaube	16 Schraube (kurz)	
	17 Nocken	

TECHNISCHE DATEN

Modell	SG1251
Scheibendurchmesser	125 mm
Max. Scheibendicke	2,1 mm
Nenn Drehzahl	10 000 min ⁻¹
Spindelgewinde	M14
Gesamtlänge	350 mm
Nettogewicht	4,5 kg
Sicherheitsklasse	□/II

- Aufgrund unseres Dauerprogramms der Forschung und Entwicklung unterliegen die hier angegebenen technischen Daten Änderung ohne Vorankündigung.
- Die technischen Daten können von Land zu Land abweichen.
- Gewicht nach EPTA-Verfahren 01/2003

ENE026-1

Vorgesehene Verwendung

Diese Maschine ist für trockenes Schneiden von Rillen in Betonwände sowie das Schneiden von Eisenmaterial oder Entwässerungsrinnen aus Beton mit Diamantscheibe vorgesehen.

ENF002-2

Netzanschluss

Die Maschine sollte nur an eine Stromquelle angeschlossen werden, deren Spannung mit der Angabe auf dem Typenschild übereinstimmt, und kann nur mit Einphasen-Wechselstrom betrieben werden. Diese sind doppelt schutzisoliert und können daher auch an Steckdosen ohne Erdleiter verwendet werden.

GEA010-1

Allgemeine Sicherheitswarnungen für Elektrowerkzeuge

⚠️ WARNUNG Lesen Sie alle Sicherheitswarnungen und Anweisungen durch. Eine Missachtung der unten aufgeführten Warnungen und Anweisungen kann zu einem elektrischen Schlag, Brand und/oder schweren Verletzungen führen.

Bewahren Sie alle Warnungen und Anweisungen für spätere Bezugnahme auf.

GEB112-6

SICHERHEITSWARNUNGEN FÜR MAUERNUTFRÄSE

1. **Die mit der Maschine gelieferte Schutzhaube muss sicher am Elektrowerkzeug befestigt und für maximale Sicherheit positioniert werden, um den auf die Bedienungsperson gerichteten Trennscheibenbetrag minimal zu halten. Halten Sie sich selbst und Umstehende von der Rotationsebene der Trennscheibe fern.** Die Schutzhaube schützt den Bediener vor Trennscheiben-Bruchstücken und versehentlichem Kontakt mit der Trennscheibe.
2. **Verwenden Sie nur Diamant-Trennscheiben für Ihr Elektrowerkzeug.** Die bloße Tatsache, dass ein Zubehörteil an Ihrem Elektrowerkzeug angebracht werden kann, gewährleistet noch keinen sicheren Betrieb.
3. **Die Nenn Drehzahl des Zubehörteils muss mindestens der am Elektrowerkzeug angegebenen Maximaldrehzahl entsprechen.** Zubehörteile, die schneller als ihre Nenn Drehzahl rotieren, können bersten und auseinander fliegen.
4. **Trennscheiben dürfen nur für empfohlene Anwendungen eingesetzt werden. Zum Beispiel: Nicht mit der Seite einer Trennscheibe schleifen.** Da Trennschleifscheiben für Peripherieschleifen vorgesehen sind, können sie durch seitlich einwirkende Kräfte zerschmettert werden.
5. **Verwenden Sie stets unbeschädigte Scheibenflansche des korrekten Durchmessers für die ausgewählte Trennscheibe.** Korrekte Scheibenflansche stützen die Trennscheibe und reduzieren somit die Möglichkeit eines Scheibenbruchs.

6. **Außendurchmesser und Dicke des Zubehörteils müssen innerhalb der Kapazitätsgrenzen Ihres Elektrowerkzeugs liegen.** Zubehörteile der falschen Größe können nicht angemessen geschützt oder kontrolliert werden.
7. **Die Spindelbohrung von Trennscheiben und Flanschen muss genau der Spindel des Elektrowerkzeugs angepasst sein.** Trennscheiben und Flansche, deren Spindelbohrung nicht genau auf den Montageflansch des Elektrowerkzeugs passt, laufen unrund, vibrieren übermäßig und können einen Verlust der Kontrolle verursachen.
8. **Verwenden Sie keine beschädigten Trennscheiben. Überprüfen Sie die Trennscheiben vor jeder Benutzung auf Abspalterungen und Risse.** Falls das Elektrowerkzeug oder die Trennscheibe herunterfällt, überprüfen Sie das Teil auf Beschädigung, oder montieren Sie eine unbeschädigte Trennscheibe. Achten Sie nach der Überprüfung und Installation der Trennscheibe darauf, dass Sie selbst und Umstehende nicht in der Rotationsebene der Trennscheibe stehen, und lassen Sie das Elektrowerkzeug eine Minute lang mit maximaler Leerlaufdrehzahl laufen. Eine beschädigte Trennscheibe bricht normalerweise während dieses Probelaufs auseinander.
9. **Tragen Sie Schutzausrüstung. Benutzen Sie je nach der Arbeit einen Gesichtsschutz bzw. eine Sicherheits- oder Schutzbrille. Tragen Sie bei Bedarf eine Staubmaske, Ohrenschützer, Handschuhe und eine Arbeitsschürze, die in der Lage ist, kleine Schleifpartikel oder Werkstücksplitter abzuwehren.** Der Augenschutz muss in der Lage sein, den bei verschiedenen Arbeiten anfallenden Flugstaub abzuwehren. Die Staubmaske oder Atemschutzmaske muss in der Lage sein, durch die Arbeit erzeugte Partikel herauszufiltern. Lang anhaltende Lärmbelastung kann zu Gehörschäden führen.
10. **Halten Sie Umstehende in sicherem Abstand vom Arbeitsbereich. Jeder, der den Arbeitsbereich betritt, muss Schutzausrüstung tragen.** Bruchstücke des Werkstücks oder einer beschädigten Trennscheibe können weggeschleudert werden und Verletzungen über den unmittelbaren Arbeitsbereich hinaus verursachen.
11. **Halten Sie das Elektrowerkzeug nur an den isolierten Griffflächen, wenn Sie Arbeiten ausführen, bei denen die Gefahr besteht, dass verborgene Kabel oder das eigene Kabel kontaktiert werden.** Bei Kontakt mit einem Strom führenden Kabel können die freiliegenden Metallteile des Elektrowerkzeugs ebenfalls Strom führend werden, so dass der Benutzer einen elektrischen Schlag erleiden kann.
12. **Halten Sie das Kabel vom rotierenden Zubehörteil fern.** Falls Sie die Kontrolle verlieren, kann das Kabel durchgetrennt oder erfasst werden, so dass Ihre Hand oder Ihr Arm in die rotierende Trennscheibe hineingezogen wird.
13. **Legen Sie das Elektrowerkzeug erst ab, nachdem das Zubehörteil zum vollständigen Stillstand gekommen ist.** Anderenfalls kann die rotierende Trennscheibe die Oberfläche erfassen und das Elektrowerkzeug aus Ihren Händen reißen.
14. **Lassen Sie das Elektrowerkzeug nicht laufen, während Sie es an Ihrer Seite tragen.** Das rotierende Zubehörteil könnte sonst bei versehentlichem Kontakt Ihre Kleidung erfassen und auf Ihren Körper zu gezogen werden.
15. **Reinigen Sie die Ventilationsöffnungen des Elektrowerkzeugs regelmäßig.** Der Lüfter des Motors saugt Staub in das Gehäuse an, und starke Ablagerungen von Metallstaub können elektrische Gefahren verursachen.
16. **Betreiben Sie das Elektrowerkzeug nicht in der Nähe von brennbaren Materialien.** Funken könnten diese Materialien entzünden.
17. **Verwenden Sie keine Zubehörteile, die Kühlflüssigkeiten erfordern.** Die Verwendung von Wasser oder anderen Kühlflüssigkeiten kann zu einem Stromschlag führen.

Warnungen vor Rückschlag und damit zusammenhängenden Gefahren

Rückschlag ist eine plötzliche Reaktion auf eine eingeklemmte oder stockende Trennscheibe. Klemmen oder Hängenbleiben verursacht sofortiges Stocken der rotierenden Trennscheibe, was wiederum dazu führt, dass das außer Kontrolle geratene Elektrowerkzeug am Stockpunkt in die entgegengesetzte Drehrichtung der Trennscheibe geschleudert wird.

Wenn beispielsweise eine Schleifscheibe vom Werkstück erfasst oder eingeklemmt wird, kann sich die in den Klemmpunkt eindringende Schleifscheibenkante in die Materialoberfläche bohren, so dass sie herauspringt oder zurückschlägt. Je nach der Drehrichtung der Schleifscheibe am Klemmpunkt kann die Schleifscheibe auf die Bedienungsperson zu oder von ihr weg springen. Schleifscheiben können unter solchen Bedingungen auch brechen.

Rückschlag ist das Resultat falscher Handhabung des Elektrowerkzeugs und/oder falscher Arbeitsverfahren oder -bedingungen und kann durch Anwendung der nachstehenden Vorsichtsmaßnahmen vermieden werden.

- a) **Halten Sie das Elektrowerkzeug mit festem Griff, und positionieren Sie Ihren Körper und Arm so, dass Sie die Rückschlagkräfte auffangen können. Benutzen Sie stets den Zusatzgriff, wenn vorhanden, um maximale Kontrolle über Rückschlag oder Drehbewegungen während des Anlaufs zu haben.** Drehbewegungen oder Rückschlagkräfte können kontrolliert werden, wenn entsprechende Vorkehrungen getroffen werden.
- b) **Halten Sie Ihre Hand niemals in die Nähe des rotierenden Zubehörteils.** Bei einem Rückschlag könnte das Zubehörteil Ihre Hand verletzen.
- c) **Stellen Sie sich nicht so, dass sich Ihr Körper in einer Linie mit der rotierenden Trennscheibe befindet.** Der Rückschlag schleudert die Maschine am Stockpunkt in die entgegengesetzte Drehrichtung der Schleifscheibe.

- d) **Lassen Sie beim Bearbeiten von Ecken und scharfen Kanten usw. besondere Vorsicht walten. Vermeiden Sie Anstoßen und Verhaken des Zubehörs. Ecken, scharfe Kanten oder Anstoßen führen leicht zu Hängenbleiben des rotierenden Zubehörs und verursachen Verlust der Kontrolle oder Rückschlag.**
- e) **Bringen Sie keine Sägeketten, Holzfräsen, segmentierte Diamantscheiben mit einer Randkerbe von mehr als 10 mm oder gezahnte Sägeblätter an. Solche Zubehöre verursachen häufige Rückschläge und Verlust der Kontrolle.**
- f) **Vermeiden Sie "Verkanten" der Trennscheibe oder die Ausübung übermäßigen Drucks. Versuchen Sie nicht, übermäßig tiefe Schnitte zu machen. Überbeanspruchung der Trennscheibe erhöht die Belastung und die Empfindlichkeit für Verdrehen oder Klemmen der Trennscheibe im Schnitt sowie die Möglichkeit von Rückschlag oder Scheibenbruch.**
- g) **Falls die Schleifscheibe klemmt oder der Schnitt aus irgendeinem Grund unterbrochen wird, schalten Sie das Elektrowerkzeug aus und halten Sie es bewegungslos im Werkstück, bis die Schleifscheibe zum völligen Stillstand kommt. Versuchen Sie auf keinen Fall, die rotierende Trennscheibe aus dem Schnitt zu entfernen, weil sonst ein Rückschlag auftreten kann. Nehmen Sie eine Überprüfung vor, und treffen Sie Abhilfemaßnahmen, um die Ursache von Schleifscheiben-Klemmen zu beseitigen.**
- h) **Setzen Sie den Schnittbetrieb nicht mit im Werkstück sitzender Trennscheibe fort. Führen Sie die Trennscheibe vorsichtig in den Schnitt ein, nachdem sie die volle Drehzahl erreicht hat. Wird das Elektrowerkzeug mit im Werkstück sitzender Trennscheibe eingeschaltet, kann die Trennscheibe klemmen, hochsteigen oder zurückschlagen.**
- i) **Stützen Sie Platten oder andere übergroße Werkstücke ab, um die Gefahr von Klemmen oder Rückschlag der Trennscheibe zu minimieren. Große Werkstücke neigen dazu, unter ihrem Eigengewicht durchzuhängen. Die Stützen müssen beidseitig der Trennscheibe nahe der Schnittlinie und in der Nähe der Werkstückkante unter das Werkstück platziert werden.**
- j) **Lassen Sie besondere Vorsicht walten, wenn Sie einen "Taschenschnitt" in bestehende Wände oder andere Blindflächen durchführen. Die vorstehende Trennscheibe kann Gas- oder Wasserleitungen, Stromkabel oder Objekte durchschneiden, die Rückschlag verursachen können.**
18. **Vergewissern Sie sich vor der Verwendung einer segmentierten Diamantscheibe, dass die Randkerbe zwischen den Segmenten der Diamantscheibe höchstens 10 mm breit ist und nur einen negativen Spanwinkel hat.**

Zusätzliche Sicherheitswarnungen:

19. **Versuchen Sie niemals, die Maschine zum Schneiden verkehrt herum in einen Schraubstock einzuspannen. Dies ist sehr gefährlich und kann zu schweren Unfällen führen.**
20. **Manche Materialien können giftige Chemikalien enthalten. Treffen Sie Vorsichtsmaßnahmen, um das Einatmen von Arbeitsstaub und Hautkontakt zu verhüten. Befolgen Sie die Sicherheitsdaten des Materialherstellers.**
21. **Lagern Sie Diamantscheiben gemäß den Herstellerempfehlungen. Falsche Lagerung kann eine Beschädigung der Diamantscheiben verursachen.**

BEWAHREN SIE DIESE ANLEITUNG SORGFÄLTIG AUF.

⚠️ WARNUNG:

Lassen Sie sich NICHT durch Bequemlichkeit oder Vertrautheit mit dem Produkt (durch wiederholten Gebrauch erworben) von der strikten Einhaltung der Sicherheitsregeln für das vorliegende Produkt abhalten. MISSBRAUCH oder Missachtung der Sicherheitsvorschriften in dieser Anleitung können schwere Verletzungen verursachen.

FUNKTIONSBESCHREIBUNG

⚠️ VORSICHT:

- Vergewissern Sie sich vor jeder Einstellung oder Funktionsprüfung der Maschine stets, dass sie ausgeschaltet und vom Stromnetz getrennt ist.

Spindelarretierung (Abb. 1)

⚠️ VORSICHT:

- Betätigen Sie die Spindelarretierung niemals bei rotierender Spindel. Die Maschine kann sonst beschädigt werden.

Drücken Sie die Spindelarretierung, um die Spindel zum Montieren oder Demontieren von Zubehör zu blockieren.

Schnittmarkierung (Abb. 2)

Die Gleitplatte ist vorn und hinten mit Kerben versehen. Diese ermöglichen eine präzise Führung der Maschine entlang der Schnittlinie.

Einstellen der Nuttiefe (Abb. 3)

Die Nuttiefe kann zwischen 0 und 30 mm eingestellt werden.

Lösen Sie die Klemmschraube, und stellen Sie den Zeiger auf den gewünschten Tiefenteilstrich der Skala ein.

Ziehen Sie dann die Klemmschraube fest an.

Schalterfunktion (Abb. 4)

⚠️ VORSICHT:

- Vergewissern Sie sich vor dem Anschließen der Maschine an das Stromnetz stets, dass der Elektronikschalter ordnungsgemäß funktioniert und beim Loslassen in die "AUS" Stellung zurückkehrt.

Für Maschine mit Arretierknopf

VORSICHT:

- Der Schalter kann zur Arbeitserleichterung bei längerem Einsatz in der "EIN" Stellung verriegelt werden. Lassen Sie Vorsicht walten, wenn Sie den Schalter in der "EIN" Stellung verriegeln, und halten Sie die Maschine mit festem Griff.

Zum Einschalten der Maschine einfach den Elektronikschalter drücken. Zum Ausschalten den Elektronikschalter loslassen.

Für Dauerbetrieb den Elektronikschalter betätigen, den Arretierknopf hineindrücken, und dann den Elektronikschalter loslassen.

Zum Ausrasten der Sperre den Elektronikschalter bis zum Anschlag hineindrücken und dann loslassen.

Für Maschine mit Einschaltsperrknopf

VORSICHT:

- Betätigen Sie den Elektronikschalter nicht gewaltsam, ohne den Einschaltsperrknopf hineinzudrücken. Dies kann zu einer Beschädigung des Schalters führen.

Um versehentliche Betätigung des Elektronikschalters zu verhüten, ist die Maschine mit einem Einschaltsperrknopf ausgestattet.

Zum Starten der Maschine den Elektronikschalter bei gedrücktem Einschaltsperrknopf betätigen. Zum Ausschalten den Elektronikschalter loslassen.

Für Maschine ohne Arretierknopf/ Einschaltsperrknopf

Zum Einschalten der Maschine einfach den Elektronikschalter drücken. Zum Ausschalten den Elektronikschalter loslassen.

Elektronikfunktionen

Die mit Elektronikfunktionen ausgestatteten Maschinen weisen die folgenden Merkmale zur Bedienungserleichterung auf.

Konstantdrehzahlregelung

Elektronische Drehzahlregelung zur Aufrechterhaltung einer konstanten Drehzahl. Feine Oberflächengüte wird ermöglicht, weil die Drehzahl selbst unter Belastung konstant gehalten wird.

Soft-Start

Die Soft-Start-Funktion reduziert Anlaufstöße auf ein Minimum und bewirkt ruckfreies Anlaufen der Maschine.

Überlastschalter

Wenn die zulässige Belastung der Maschine überschritten wird, schaltet es sich automatisch ab, um Motor und Diamantscheibe zu schützen. Verringert sich die Belastung wieder auf ein zulässiges Niveau, wird die Maschine automatisch wieder gestartet.

MONTAGE

VORSICHT:

- Vergewissern Sie sich vor der Ausführung von Arbeiten an der Maschine stets, dass sie ausgeschaltet und vom Stromnetz getrennt ist.

Demontieren der Diamantscheiben (Abb. 5, 6 und 7)

Lösen und entfernen Sie die Schraube mit dem Inbusschlüssel.

Öffnen Sie die Schutzhaube, während Sie die Gleitplatte festhalten.

HINWEIS:

- Die Gleitplatte öffnet sich bei Betätigung durch Federkraft.

Drehen Sie die Diamantscheiben, während Sie die Spindelarreterierung bis zum Einrasten hineindrücken.

Entfernen Sie die Sicherungsmutter durch Linksdrehen mit dem Sicherungsmutterschlüssel.

Entfernen Sie die Diamantscheiben und die Abstandsringe.

Einstellen der Nutbreite (Abstand zwischen den beiden Diamantscheiben)

Stellen Sie die Nutbreite ein, indem Sie die Anzahl der Abstandsringe verändern, wie in der Tabelle angegeben. (Abb. 8)

Montieren der Diamantscheiben (Abb. 9 und 10)

Montieren Sie die Diamantscheibe sorgfältig auf die Spindel.

Richten Sie die Pfeile an Diamantscheibe und Maschine aufeinander aus. Montieren Sie die Abstandsringe, die andere Diamantscheibe und die Sicherungsmutter.

Ziehen Sie die Sicherungsmutter mit dem Sicherungsmutterschlüssel fest im Uhrzeigersinn an, während Sie die Spindelarreterierung hineindrücken.

Bringen Sie die Schutzhaube und die Gleitplatte wieder in die Ausgangsstellung, und ziehen Sie zur Sicherung die Schraube an.

Einstellen des Frontgriffwinkels (Abb. 11)

Lösen Sie die zwei Schrauben auf beiden Seiten des Frontgriffs mit dem Inbusschlüssel. Stellen Sie den Frontgriff auf den gewünschten Winkel ein, und ziehen Sie die zwei Schrauben fest an.

HINWEIS:

- Falls der Griff schwergängig ist, lösen Sie die Schrauben noch mehr.

Verschieben des Frontgriffs in Querrichtung (Abb. 12)

Entfernen Sie die zwei Schrauben auf beiden Seiten des Frontgriffs mit dem Inbusschlüssel. Ändern Sie die Position des Nockens.

Drehen Sie die längere Schraube auf der Seite des Nockens, und die kürzere Schraube auf der entgegengesetzten Seite ein. Ziehen Sie die zwei Schrauben fest an.

Anschließen eines Sauggerätes (Abb. 13)

Wenn Sie einen Makita-Staubsauggeräten verwenden, schließen Sie den Schlauch für das Sauggerät direkt an den Absaugstutzen an.

HINWEIS:

- Der Absaugstutzen ist frei drehbar, so dass er auf den für die jeweilige Arbeit geeigneten Winkel eingestellt werden kann.

Inbusschlüssel-Aufbewahrung (Abb. 14)

Bewahren Sie den Inbusschlüssel an der in der Abbildung gezeigten Stelle auf, damit er nicht verloren geht.

BETRIEB

VORSICHT:

- Ziehen Sie die Maschine beim Schneiden eines Werkstücks auf sich zu.
- Verwenden Sie diese Maschine nur für geradlinige Schnitte. Das Schneiden von Kurven kann Spannungsrisse oder Zersplitterung der Diamantscheiben verursachen, was zu möglicher Verletzung umstehender Personen führen kann.
- Schalten Sie die Maschine nach der Arbeit stets aus, und warten Sie, bis die Diamantscheiben zum völligen Stillstand gekommen sind, bevor Sie die Maschine ablegen.
- Halten Sie die Maschine während der Arbeit mit der einen Hand am Schaltergriff und mit der anderen Hand am Frontgriff fest.

Halten Sie die Maschine mit beiden Händen fest. Achten Sie darauf, dass die Diamantscheiben anfangs keinen Kontakt mit dem zu schneidenden Werkstück haben. Schalten Sie dann die Maschine ein und warten Sie, bis die Diamantscheiben die volle Drehzahl erreicht haben. (Abb. 15)

Der Schnitt im Werkstück wird ausgeführt, indem Sie die Maschine auf sich zu ziehen (nicht von sich weg drücken). Richten Sie die Kerbe in der Gleitplatte auf die Schnitlinie aus. Drücken Sie den Frontgriff sachte bis zum Anschlag nach unten, und ziehen Sie dann die Maschine langsam auf sich zu. (Abb. 16)

Schalten Sie zuerst die Maschine aus, bevor Sie die Schneidarbeit beenden und die Maschine anheben. Warten Sie, bis die Diamantscheiben völlig zum Stillstand kommen, bevor Sie die Maschine anheben.

Brechen Sie den verbleibenden Steg zwischen den beiden geschnittenen Nuten mit geeigneten Maschinen aus.

WARTUNG

VORSICHT:

- Denken Sie vor der Durchführung von Überprüfungen oder Wartungsarbeiten stets daran, die Maschine auszuschalten und vom Stromnetz zu trennen.
- Verwenden Sie auf keinen Fall Benzin, Benzol, Verdünnern, Alkohol oder dergleichen. Solche Mittel können Verfärbung, Verformung oder Rissbildung verursachen.

Halten Sie die Maschine und ihre Ventilationsöffnungen stets sauber. Reinigen Sie die Ventilationsöffnungen der Maschine regelmäßig oder im Anfangsstadium einer Verstopfung. (Abb. 17)

Abrichten der Diamantscheibe

Wenn die Schneidfähigkeit der Diamantscheibe nachlässt, verwenden Sie eine ausrangierte grobkörnige Schleifscheibe oder einen Betonklotz, um die Diamantscheibe abzurichten. Spannen Sie dazu die Schleifscheibe oder den Betonklotz fest ein, und schneiden Sie die Diamantscheibe hinein.

Um die SICHERHEIT und ZUVERLÄSSIGKEIT dieses Produkts aufrechtzuerhalten, sollten Reparaturen, Überprüfung und Austausch der Kohlebürsten und andere Wartungs- oder Einstellarbeiten nur von Makita-Kundendienstzentren unter ausschließlicher Verwendung von Makita-Originalersatzteilen ausgeführt werden.

SONDERZUBEHÖR

VORSICHT:

- Die folgenden Zubehörteile oder Vorrichtungen werden für den Einsatz mit der in dieser Anleitung beschriebenen Makita-Maschine empfohlen. Die Verwendung anderer Zubehörteile oder Vorrichtungen kann eine Verletzungsgefahr darstellen. Verwenden Sie Zubehörteile oder Vorrichtungen nur für ihren vorgesehenen Zweck.

Wenn Sie weitere Einzelheiten bezüglich dieser Zubehörteile benötigen, wenden Sie sich bitte an Ihre Makita-Kundendienststelle.

- Diamantscheiben

HINWEIS:

- Manche Teile in der Liste können als Standardzubehör im Werkzeugsatz enthalten sein. Sie können von Land zu Land unterschiedlich sein.

ENG905-1

Geräusch

Typischer A-bewerteter Geräuschpegel ermittelt gemäß EN60745:

- Schalldruckpegel (L_{pA}): 97 dB (A)
- Schalleistungspegel (L_{WA}): 108 dB (A)
- Ungewissheit (K): 3 dB (A)

Gehörschutz tragen

ENG900-1

Vibration

Vibrationsgesamtwert (Drei-Achsen-Vektorsumme) ermittelt gemäß EN60745:

- Arbeitsmodus: Betonschneiden
- Vibrationsemission (a_h): $5,0 \text{ m/s}^2$
- Ungewissheit (K): $1,5 \text{ m/s}^2$

ENG901-1

- Der angegebene Vibrationsemissionswert wurde im Einklang mit der Standardprüfmethode gemessen und kann für den Vergleich zwischen Maschinen herangezogen werden.
- Der angegebene Vibrationsemissionswert kann auch für eine Vorbereitung des Gefährdungsgrads verwendet werden.

WARNUNG:

- Die Vibrationsemission während der tatsächlichen Benutzung des Elektrowerkzeugs kann je nach der Benutzungsweise der Maschine vom angegebenen Emissionswert abweichen.
- Identifizieren Sie Sicherheitsmaßnahmen zum Schutz des Benutzers anhand einer Schätzung des Gefährdungsgrads unter den tatsächlichen Benutzungsbedingungen (unter Berücksichtigung aller Phasen des Arbeitszyklus, wie z. B. Ausschalt- und Leerlaufzeiten der Maschine zusätzlich zur Betriebszeit).

Nur für europäische Länder

EG-Übereinstimmungserklärung

Makita erklärt, dass die folgende(n) Maschine(n):

Bezeichnung der Maschine:

Mauernutfräse

Modell-Nr./ Typ: SG1251

den folgenden europäischen Richtlinien entsprechen:

2006/42/EG

gemäß den folgenden Standards oder standardisierten Dokumenten hergestellt werden:

EN60745

Die technische Akte in Übereinstimmung mit 2006/42/EG ist erhältlich von:

Makita, Jan-Baptist Vinkstraat 2, 3070, Belgien

7.2.2014



Yasushi Fukaya
Direktor

Makita, Jan-Baptist Vinkstraat 2, 3070, Belgien

Visione generale

1 Blocco albero	10 Controdado	17 Camma
2 Tacca	11 Chiave per controdadi	18 Bullone (lungo)
3 Scala	12 Disco diamantato	19 Bocchetta polvere
4 Vite di fissaggio	13 Anelli distanziatori 6 (6 mm di spessore)	20 Aspiratore
5 Interruttore	14 Anelli distanziatori 3 (3 mm di spessore)	21 Manicotto
6 Bottone di blocco/sblocco	15 Manico anteriore	22 Chiave esagonale
7 Bullone	16 Bullone (corto)	23 Apertura di aspirazione
8 Cassa della lama		24 Apertura di scarico
9 Base utensile		

DATI TECNICI

Modello	SG1251
Diametro disco	125 mm
Spessore massimo disco	2,1 mm
Velocità nominale	10.000 min ⁻¹
Filettatura mandrino	M14
Lunghezza totale	350 mm
Peso netto	4,5 kg
Classe di sicurezza	☐/II

- Per il nostro programma di ricerca e sviluppo continui, i dati tecnici sono soggetti a modifiche senza preavviso.
- I dati tecnici potrebbero differire a seconda del paese di destinazione del modello.
- Peso in base alla procedura EPTA 01/2003

ENE026-1

Utilizzo previsto

Questo utensile serve a tagliare tracce sulle pareti di cemento, materiali ferrosi o canali di scarico su cemento con un disco diamantato, ma senza usare acqua.

ENF002-2

Alimentazione

L'utensile deve essere collegato soltanto a una fonte di alimentazione con la stessa tensione di quella indicata sulla targhetta del nome, e può funzionare soltanto con la corrente alternata monofase. Esse hanno un doppio isolamento, per cui possono essere usate con le prese senza messa a terra.

GEA010-1

Avvertimenti generali per la sicurezza dell'utensile elettrico

⚠ AVVERTIMENTO Leggere tutti gli avvertimenti per la sicurezza e le istruzioni. La mancata osservanza degli avvertimenti e delle istruzioni può causare scosse elettriche, incendio e/o gravi incidenti.

Conservare tutti gli avvertimenti e le istruzioni per riferimenti futuri.

AVVERTIMENTI PER LA SICUREZZA SCANALATORE PER MURI

GEB110-6

1. **La protezione fornita deve essere attaccata saldamente all'utensile elettrico e posizionata per la massima sicurezza, in modo che verso l'operatore sia esposta la minima parte del disco. Posizionare se stessi e gli astanti lontani dal piano del disco rotante.** La protezione serve a proteggere l'operatore dai frammenti della rottura del disco e dal contatto accidentale con il disco.
2. **Con questo utensile elettrico si devono usare soltanto dischi scanalati diamantati.** Il solo fatto che un accessorio possa essere attaccato all'utensile elettrico non ne garantisce l'utilizzo sicuro.
3. **La velocità nominale dell'accessorio deve essere almeno uguale alla velocità massima indicata sull'utensile elettrico.** Gli accessori che girano a una velocità maggiore di quella nominale possono rompersi e volare via.
4. **I dischi devono essere usati soltanto per le applicazioni raccomandate. Per esempio: non si deve smerigliare con il lato di taglio del disco.** I dischi scanalati abrasivi sono progettati per la smerigliatura periferica, e le forze laterali applicate a questi dischi potrebbero causarne la rottura.
5. **Usare sempre flange per dischi non danneggiati con il diametro corretto per il disco selezionato.** Le flange corrette supportano il disco, riducendo così la possibilità di una sua rottura.
6. **Il diametro esterno e lo spessore dell'accessorio devono essere entro la taratura nominale dell'utensile elettrico.** Gli accessori con le dimensioni sbagliate non possono essere adeguatamente protetti o controllati.

7. **Le dimensioni dell'albero dei dischi e delle flange devono essere adatte al mandrino di questo utensile elettrico.** I dischi e le flange con fori dell'albero inadatti all'attrezzatura di montaggio dell'utensile elettrico girano sbilanciati, vibrano eccessivamente e possono causare una perdita di controllo.
 8. **Non si devono usare dischi danneggiati. Prima di ciascun utilizzo, ispezionare che i dischi non presentino scheggiature e crepe. Se l'utensile elettrico o il disco è caduto, controllare se è danneggiato o installare un disco non danneggiato. Dopo l'ispezione e l'installazione del disco, posizionare se stessi e gli astanti lontani dal piano del disco rotante, e far girare l'utensile elettrico al massimo senza carico per un minuto.** I dischi danneggiati si rompono generalmente durante questo periodo di prova.
 9. **Indossare l'equipaggiamento di protezione. A seconda del lavoro, usare uno schermo per il viso, occhiali di protezione od occhiali di sicurezza. Come appropriato, indossare una mascherina antipolvere, protezioni per le orecchie, guanti e un grembiale di lavoro capace di arrestare i piccoli frammenti abrasivi o dei pezzi lavorati.** Gli occhiali di protezione devono poter fermare i frammenti volanti prodotti dalle varie operazioni. La mascherina antipolvere o respiratore devono essere capaci di filtrare le particelle generate dal lavoro. L'esposizione prolungata al rumore di alta intensità potrebbe causare la perdita dell'udito.
 10. **Tenere gli astanti a una distanza di sicurezza dall'area di lavoro. Chiunque entri nell'area di lavoro deve indossare un equipaggiamento personale di protezione.** I frammenti dei pezzi o di un disco rotto potrebbero volare via e causare incidenti oltre l'area immediata del lavoro.
 11. **Tenere l'utensile elettrico soltanto per le superfici di presa isolate quando si esegue una operazione in cui l'accessorio di taglio potrebbe fare contatto con fili elettrici nascosti o con il suo stesso cavo di alimentazione.** Il contatto dell'accessorio di taglio con un filo elettrico "sotto tensione" potrebbe mettere "sotto tensione" le parti metalliche esposte dell'utensile elettrico dando una scossa all'operatore.
 12. **Posizionare il cavo di alimentazione dell'utensile discosto dall'accessorio che gira.** Se si perde il controllo dell'utensile, il cavo potrebbe essere tagliato o rimanere impigliato, e la mano o il braccio potrebbero essere attirati nel disco che gira.
 13. **Non si deve mai posare l'utensile elettrico finché l'accessorio non si è fermato completamente.** Il disco che gira potrebbe fare presa sulla superficie e causare la perdita di controllo dell'utensile elettrico da parte dell'operatore.
 14. **Non si deve far funzionare l'utensile elettrico mentre lo si trasporta sul proprio fianco.** Il contatto accidentale con l'accessorio che gira potrebbe fare presa sul vestito spingendo l'accessorio nel corpo.
 15. **Pulire regolarmente le aperture di ventilazione dell'utensile elettrico.** La ventola del motore attira la polvere all'interno dell'alloggiamento, e l'accumulazione eccessiva della polvere di metallo potrebbe causare pericoli elettrici.
 16. **Non si deve far funzionare l'utensile elettrico vicino a materiali infiammabili,** perché le scintille potrebbero incendiarli.
 17. **Non si devono usare accessori che richiedono refrigeranti liquidi.** L'impiego di acqua o di altri refrigeranti liquidi potrebbe causare elettrocuzione o scosse elettriche.
- Contraccolpi e relativi avvertimenti**
- Il contraccollo è una improvvisa reazione a un disco rotante incastrato od ostacolato. L'incastramento o l'ostacolazione causano il rapido stallo del disco rotante, che a sua volta causa la spinta dell'utensile elettrico senza controllo nella direzione opposta a quella di rotazione del disco sul punto dell'inceppamento. Per esempio, se un disco abrasivo viene ostacolato o incastrato dal pezzo, il filo del disco che entra nel punto di incastramento può penetrare nella superficie del materiale causando la fuoriuscita o il contraccollo del disco. Il disco potrebbe rimbalzare verso l'operatore o lontano da esso, a seconda della direzione del movimento del disco sul punto di inceppamento. In queste condizioni, i dischi abrasivi potrebbero anche rompersi.
- Il contraccollo è il risultato dell'uso sbagliato dell'utensile elettrico e/o delle procedure o condizioni sbagliate di funzionamento, e può essere evitato prendendo le precauzioni appropriate come indicato di seguito.
- a) **Tenere saldamente l'utensile elettrico e posizionare il corpo e le braccia in modo da poter resistere alla forza del contraccollo. Per il massimo controllo del contraccollo o della reazione alla coppia di avviamento, usare sempre il manico ausiliario, se fornito.** Prendendo le precauzioni appropriate, l'operatore può controllare la reazione alla coppia di avviamento e la forza del contraccollo.
 - b) **Non si devono mai mettere le mani vicino all'accessorio rotante.** Si potrebbe verificare un contraccollo dell'accessorio sulle mani.
 - c) **Non posizionare il corpo sulla linea di rotazione del disco.** Il contraccollo spinge l'utensile nella direzione opposta al movimento del disco sul punto dell'inceppamento.
 - d) **Fare particolarmente attenzione lavorando gli angoli, i bordi affilati, ecc. Evitare di far rimbalzare o di ostacolare l'accessorio.** Gli angoli, i bordi affilati o i rimbalzi tendono a inceppare l'accessorio rotante causando una perdita di controllo o un contraccollo.
 - e) **Non attaccare una catena sega, lama di intaglio, disco diamantato a settori con un gioco periferico di oltre 10 mm o lama di sega dentata.** Tali lame causano frequenti contraccolpi e perdite di controllo.
 - f) **Non "incastrare" il disco o applicare una pressione eccessiva. Non cercare di fare un taglio con una profondità eccessiva.** La sovrasollecitazione del disco aumenta il carico e il rischio di torsione o di inceppamento del disco nel taglio, e la possibilità di contraccolpi e di rottura del disco.

- g) Quando il disco si inceppa o se il taglio si interrompe per un qualsiasi motivo, spegnere l'utensile elettrico e tenerlo fermo finché il disco non si è completamente arrestato. Non si deve mai cercare di rimuovere il disco dal taglio mentre gira, perché altrimenti si potrebbe verificare un contraccolpo. Controllare e procedere con una azione correttiva che elimini la causa dell'inceppamento del disco.
- h) Non riavviare l'operazione di taglio nel pezzo. Lasciare che il disco raggiunga la velocità massima e rientrare con cura nel taglio. Il disco potrebbe incepparsi, rialzarsi o fare un contraccolpo se si riavvia l'utensile elettrico nel pezzo.
- i) Supportare i pannelli o qualsiasi pezzo di dimensioni molto grandi per minimizzare il rischio di inceppamento o di contraccolpo. I grandi pezzi tendono a piegarsi sotto il loro stesso peso. I supporti devono essere sistemati sotto il pezzo vicino alla linea di taglio e vicino al bordo del pezzo su entrambi i lati del disco.
- j) Usare precauzioni speciali per praticare un "taglio cavo" nelle pareti esistenti o altre aree cieche. Il disco sporgente potrebbe tagliare i tubi del gas o dell'acqua, fili elettrici od oggetti che possono causare un contraccolpo.
18. Prima di usare un disco diamantato a settori, accertarsi che esso abbia un gioco periferico tra i settori di 10 mm o meno, soltanto con un angolo di spoglia negativo.

Avvertimenti per la sicurezza supplementari:

19. Non si deve mai cercare di eseguire un taglio tenendo l'utensile capovolto in una morsa. Ciò potrebbe causare un serio incidente perché è estremamente pericoloso.
20. Alcuni materiali contengono sostanze chimiche che potrebbero essere tossiche. Fare attenzione per evitare l'inalazione della polvere e il contatto con la pelle. Seguire i dati sulla sicurezza del fornitore del materiale.
21. Conservare i dischi come consigliato dal produttore. La conservazione sbagliata potrebbe danneggiarli.

CONSERVARE QUESTE ISTRUZIONI.

⚠ AVVERTIMENTO:

NON lasciare che comodità o la familiarità d'uso con il prodotto (acquisita con l'uso ripetuto) sostituisca la stretta osservanza delle norme di sicurezza. L'utilizzo SBAGLIATO o la mancata osservanza delle norme di sicurezza di questo manuale di istruzioni potrebbero causare lesioni serie.

DESCRIZIONE FUNZIONALE

⚠ ATTENZIONE:

- Accertarsi sempre che l'utensile sia spento e staccato dalla presa di corrente prima di regolarlo o di controllare il suo funzionamento.

Blocco albero (Fig. 1)

⚠ ATTENZIONE:

- Non si deve mai usare il blocco albero mentre il mandrino è in movimento. Si potrebbe danneggiare l'utensile.

Premere il blocco albero per impedire la rotazione del mandrino quando si installano o si rimuovono gli accessori.

Puntamento (Fig. 2)

Sulla parte anteriore e posteriore della base ci sono delle tacche. Esse aiutano l'operatore a seguire una linea di taglio dritta.

Regolazione della profondità della scanalatura (Fig. 3)

La profondità della scanalatura può essere regolata da 0 a 30 mm.

Allentare la vite di fissaggio e regolare l'indice sulla gradazione della profondità desiderata della scala. Stringere poi saldamente la vite di fissaggio.

Funzionamento dell'interruttore (Fig. 4)

⚠ ATTENZIONE:

- Prima di collegare l'utensile alla presa di corrente, controllare sempre che l'interruttore funzioni correttamente e che torni sulla posizione "OFF" quando viene rilasciato.

Utensile con bottone di blocco

⚠ ATTENZIONE:

- L'interruttore può essere bloccato sulla posizione "ON" per la comodità dell'operatore durante l'uso prolungato. Fare attenzione quando si blocca l'utensile sulla posizione "ON", e mantenere una presa salda su di esso.

Per avviare l'utensile, schiacciare semplicemente l'interruttore. Rilasciare l'interruttore per fermarlo.

Per il funzionamento continuo, schiacciare l'interruttore, spingere dentro il bottone di blocco e rilasciare poi l'interruttore.

Per arrestare l'utensile dalla posizione di bloccaggio, schiacciare completamente l'interruttore e poi rilasciarlo.

Utensile con bottone di sblocco

⚠ ATTENZIONE:

- Il grilletto interruttore non deve essere schiacciato con forza senza aver prima premuto il bottone di sblocco. Ciò può causare la rottura dell'interruttore.

Questo utensile è dotato di un bottone di sblocco, per evitare che il grilletto interruttore venga schiacciato accidentalmente.

Per avviare l'utensile, premere giù il bottone di sblocco e schiacciare il grilletto interruttore. Rilasciare l'interruttore per fermarlo.

Utensile senza bottone di blocco/sblocco

Per avviare l'utensile, schiacciare semplicemente l'interruttore. Rilasciare l'interruttore per fermarlo.

Funzione elettronica

Gli utensili dotati della funzione elettronica sono facili da usare grazie alle caratteristiche seguenti.

Controllo costante della velocità

Controllo elettronico della velocità per ottenere una velocità costante. Possibilità di rifiniture fini, in quanto la velocità di rotazione viene mantenuta costante anche nelle condizioni di lavoro.

Avviamento morbido

La caratteristica dell'avviamento morbido minimizza lo spunto, e fa partire dolcemente l'utensile.

Protezione dal sovraccarico

Se l'utensile viene usato oltre il carico permessibile, esso si arresta automaticamente per proteggere il motore e il disco. Quando il carico torna di nuovo al livello permessibile, l'utensile si avvia automaticamente.

MONTAGGIO

ATTENZIONE:

- Accertarsi sempre che l'utensile sia spento e staccato dalla presa di corrente prima di un qualsiasi intervento su di esso.

Remozione dei dischi diamantati (Fig. 5, 6 e 7)

Allentare e rimuovere il bullone usando la chiave esagonale.

Aprire la cassa della lama tenendo ferma la base dell'utensile.

NOTA:

- La base dell'utensile viene aperta di colpo dalla forza della molla.

Ruotare i dischi diamantati premendo il blocco dell'albero finché si innesta.

Rimuovere il controdado girandolo in senso antiorario con la chiave per controdadi.

Rimuovere i dischi diamantati e gli anelli distanziatori.

Regolazione della larghezza della scanalatura (distanza tra i due dischi diamantati)

Regolare la larghezza della scanalatura cambiando il numero di anelli distanziatori, come mostrato nella tabella. (Fig. 8)

Installazione dei dischi diamantati (Fig. 9 e 10)

Montare con cura il disco diamantato sul mandrino.

Allineare le direzioni della freccia sul disco diamantato e l'utensile. Installare gli anelli distanziatori, l'altro disco diamantato e il controdado.

Stringere saldamente il controdado in senso orario con la chiave per controdadi premendo allo stesso tempo il blocco dell'albero.

Rimettere la cassa della lama e la base dell'utensile sulla posizione originale, e stringere il bullone per fissarle.

Regolazione dell'angolo del manico anteriore (Fig. 11)

Allentare i due bulloni su entrambi i lati del manico anteriore usando la chiave esagonale. Spostare il manico anteriore sull'angolo desiderato, e stringere saldamente i due bulloni.

NOTA:

- Se il manico non può essere spostato facilmente, allentare ulteriormente i bulloni.

Spostamento laterale del manico anteriore (Fig. 12)

Rimuovere i due bulloni su entrambi i lati del manico anteriore usando la chiave esagonale. Cambiare la posizione della camma.

Inserire il bullone più lungo nel lato più vicino alla camma, e quello più corto nel lato opposto. Stringere saldamente entrambi i bulloni.

Collegamento all'aspiratore (Fig. 13)

Se si usa un raccogliore polvere Makita, collegare direttamente il tubo flessibile dell'aspiratore alla bocchetta polvere.

NOTA:

- La bocchetta polvere può essere ruotata liberamente, in modo da poter essere usata a qualsiasi angolo secondo il lavoro.

Conservazione della chiave esagonale (Fig. 14)

Quando non la si usa, la chiave esagonale deve essere riposta in modo che non vada persa.

FUNZIONAMENTO

ATTENZIONE:

- Tirare sempre l'utensile per tagliare un pezzo.
- Questo utensile deve essere usato soltanto per il taglio in linea retta. Il taglio delle curve può causare crepe di sollecitazione o la frammentazione dei dischi diamantati, con possibili incidenti alle persone nelle vicinanze.
- Dopo una operazione, spegnere sempre l'utensile e aspettare che i dischi diamantati si siano fermati completamente prima di posarlo.
- Per eseguire una operazione con l'utensile, tenerlo sempre saldamente con una mano sul manico dell'interruttore e l'altra sull'impugnatura anteriore.

Tenere saldamente l'utensile con entrambe le mani. Tenere prima l'utensile senza che i dischi diamantati facciano contatto con il pezzo. Accendere poi l'utensile e aspettare finché i dischi diamantati abbiano raggiunto la velocità massima. (Fig. 15)

Per tagliare un pezzo, tirare verso di sé l'utensile (e non spingerlo via da sé). Allineare la tacca della base sulla linea di taglio. Spingere giù delicatamente il manico anteriore finché si arresta, e tirare poi lentamente l'utensile. (Fig. 16)

Spegnere l'utensile prima di finire l'operazione di taglio e di sollevarlo. Aspettare che i dischi diamantati si siano fermati completamente, e sollevare poi l'utensile.

Rimuovere la parte restante tra i passaggi delle due lame usando altri attrezzi appropriati.

MANUTENZIONE

ATTENZIONE:

- Accertarsi sempre che l'utensile sia spento e staccato dalla presa di corrente prima di cercare di eseguire l'ispezione o la manutenzione.
- Mai usare benzina, benzene, solventi, alcol o altre sostanze simili. Potrebbero causare scolorimenti o crepe.

L'utensile e le sue aperture di ventilazione devono essere mantenuti puliti. Pulire regolarmente le aperture di ventilazione dell'utensile, oppure ogni volta che cominciano a essere intasate. (Fig. 17)

Affilatura del disco diamantato

Se la capacità di taglio del disco diamantato comincia a diminuire, usare una mola da banco di scarto con grana grossolana, o un blocco di cemento, per affilare il disco diamantato. Per fare ciò, fissare saldamente la mola da banco o il blocco di cemento e praticarvi dei tagli.

Per preservare la SICUREZZA e l'AFFIDABILITÀ del prodotto, le riparazioni, l'ispezione e la sostituzione della spazzole di carbone o qualsiasi altra manutenzione e regolazione devono essere eseguite da un centro assistenza Makita autorizzato usando sempre ricambi Makita.

ACCESSORI OPZIONALI

⚠ ATTENZIONE:

- In questo manuale si consiglia di usare questi accessori o ricambi Makita. L'impiego di altri accessori o ricambi potrebbe costituire un pericolo di lesioni. Usare esclusivamente gli accessori o ricambi per il loro scopo specificato.

Per maggiori dettagli riguardo a questi accessori, rivolgersi a un centro di assistenza Makita.

- Dischi diamantati

NOTA:

- Alcuni articoli nella lista potrebbero essere inclusi nell'imballaggio dell'utensile come accessori standard. Essi potrebbero differire da Paese a Paese.

Rumore

ENG905-1

Il tipico livello di rumore pesato A determinato secondo EN60745:

Livello pressione sonora (L_{pA}): 97 dB (A)

Livello potenza sonora (L_{WA}): 108 dB (A)

Incertezza (K): 3 dB (A)

Indossare i paraorecchi

ENG900-1

Vibrazione

Il valore totale di vibrazione (somma vettore triassiale) determinato secondo EN60745:

Modalità operativa: taglio calcestruzzo

Emissione di vibrazione (a_h): 5,0 m/s²

Incertezza (K): 1,5 m/s²

ENG901-1

- Il valore di emissione delle vibrazioni dichiarato è stato misurato conformemente al metodo di test standard, e può essere usato per paragonare un utensile con un altro.
- Il valore di emissione delle vibrazioni dichiarato può anche essere usato per una valutazione preliminare dell'esposizione.

⚠ AVVERTIMENTO:

- L'emissione delle vibrazioni durante l'uso reale dell'utensile elettrico può differire dal valore di emissione dichiarato a seconda dei modi in cui viene usato l'utensile.
- Identificare le misure di sicurezza per la protezione dell'operatore basate sulla stima dell'esposizione nelle condizioni reali d'utilizzo (tenendo presente tutte le parti del ciclo operativo, come le volte in cui l'utensile viene spento e quando gira a vuoto, oltre al tempo di funzionamento).

Modello per l'Europa soltanto

Dichiarazione CE di conformità

Makita dichiara che la macchina seguente:

Designazione della macchina:

Scanalatore per muri

Modello No./ Tipo: SG1251

Conforme alle Direttive Europee:

2006/42/CE

È stata fabbricata in conformità allo standard e ai documenti standardizzati seguenti:

EN60745

La documentazione tecnica conforme 2006/42/CE è disponibile da:

Makita, Jan-Baptist Vinkstraat 2, 3070, Belgio

7.2.2014



Yasushi Fukaya

Amministratore

Makita, Jan-Baptist Vinkstraat 2, 3070, Belgio

Verklaring van algemene gegevens

1 Asvergrendeling	9 Gereedschapsvoet	18 Bout (lang)
2 Inkeping	10 Borgmoer	19 Stofuitlaat
3 Schaal	11 Borgmoersleutel	20 Stofzuiger
4 Klenschroef	12 Diamantschijf	21 Slang
5 Trekkerschakelaar	13 Afstandsring 6 (6 mm dik)	22 Zeskantsleutel
6 Vergrendelknop/ Uitstand-borgknop	14 Afstandsring 3 (3 mm dik)	23 Inlaatluchtgat
7 Bout	15 Voorhandgreep	24 Uitlaatluchtgat
8 Schijfbeschermer	16 Bout (kort)	
	17 Nok	

TECHNISCHE GEGEVENS

Model	SG1251
Diameter schijf	125 mm
Max. schijfdikte	2,1 mm
Nominaal toerental	10 000 (min ⁻¹)
Asschroefdraad	M14
Totale lengte	350 mm
Nettogewicht	4,5 kg
Veiligheidsklasse	□/II

- Vanwege ons voortgaand onderzoeks- en ontwikkelingsprogramma kunnen de bijgaande technische gegevens zonder voorafgaande kennisgeving worden gewijzigd.
- De technische gegevens kunnen van land tot land verschillen.
- Gewicht volgens de EPTA-procedure 01/2003

GEB112-6

VEILIGHEIDSWAARSCHUWINGEN VOOR EEN SLEUVENZAAG

1. **Monteer de beschermkap die bij het gereedschap is geleverd vooral stevig aan het elektrisch gereedschap en stel de kap voor optimale veiligheid zodanig in dat een zo klein mogelijk deel van de slijpschijf vrij blijft naar de gebruiker toe. Zorg dat u zelf en omstanders buiten het rotatievlak van de slijpschijf blijven.** De beschermkap dient om de gebruiker te beschermen tegen aanraking met de slijpschijf en eventuele rondvliegende fragmenten daarvan.
2. **Gebruik in dit elektrisch gereedschap uitsluitend diamant-doorslijpschijven.** Ook al kan een accessoire worden bevestigd aan uw elektrisch gereedschap, daarmee is een veilige werking niet gegarandeerd.
3. **Het nominaal toerental van het accessoire moet minstens gelijk zijn aan het maximumtoerental vermeld op het elektrisch gereedschap.** Accessoires die met een hoger toerental draaien dan hun nominaal toerental kunnen stuk breken en in het rond vliegen.
4. **Schijven mogen alleen worden gebruikt voor de voorgeschreven doeleinden. Bijvoorbeeld: u mag niet slijpen met de platte kant van een doorslijpschijf.** Doorslijpschijven zijn bedoeld voor slijpen met de rand van de schijf; zijwaartse druk kan de schijf in stukken doen breken.
5. **Gebruik altijd onbeschadigde schijfflenzen met de juiste diameter voor uw gekozen slijpschijf.** De juiste schijfflenzen ondersteunen de schijf zodanig dat het risico van breken wordt verminderd.

ENE026-1

Doeleinden van gebruik

Het gereedschap is bedoeld voor het snijden van sleuven in betonnen muren of voor het snijden in ijzermateriaal of betonnen afwateringskanalen door gebruik te maken van een diamantschijf voor droog gebruik.

ENF002-2

Stroomvoorziening

Het gereedschap mag alleen worden aangesloten op een stroombron van hetzelfde voltage als aangegeven op de naamplaat, en kan alleen op enkel-fase wisselstroom worden gebruikt. Het gereedschap is dubbel-geïsoleerd en kan derhalve ook op een niet-geaard stopcontact worden aangesloten.

GEA010-1

Algemene veiligheids waarschuwingen voor elektrisch gereedschap

⚠ WAARSCHUWING! Lees alle veiligheids waarschuwingen en alle instructies. Het niet volgen van de waarschuwingen en instructies kan leiden tot elektrische schokken, brand en/of ernstig letsel.

Bewaar alle waarschuwingen en instructies om in de toekomst te kunnen raadplegen.

6. **De buitendiameter en de dikte van het accessoire moet binnen het capaciteitsbereik van het elektrisch gereedschap vallen.** Accessoires met verkeerde afmetingen kunnen niet afdoende worden afgeschermd of beheerst.
 7. **De asdiameter van schijven en flenzen moet goed passen rond de as van het elektrisch gereedschap.** Schijven en flenzen met een asdiameter die niet overeenkomt met de aanpasvlakken van het elektrisch gereedschap zullen niet in evenwicht draaien, buitensporig trillen en kunnen leiden tot verlies van controle over het gereedschap.
 8. **Gebruik geen beschadigde schijven. Inspecteer vóór elk gebruik de slijpschijven op schilfers of barsten. Als het elektrisch gereedschap of een slijpschijf is gevallen, inspecteert u het op schade of monteert u een onbeschadigde slijpschijf. Na het inspecteren en aanbrengen van de slijpschijf zorgt u ervoor dat u en omstanders niet in het draaiingsvlak van de slijpschijf staan, en laat u het elektrisch gereedschap draaien op het maximaal onbelast toerental gedurende één minuut.** Beschadigde slijpschijven breken normaal gesproken in stukken tijdens dit proefdraaien.
 9. **Gebruik persoonlijke-veiligheidsmiddelen. Afhankelijk van de toepassing gebruikt u een gezichtsscherm, een beschermende bril of een veiligheidsbril. Al naar gelang van toepassing draagt u een stofmasker, gehoorbeschermers, handschoenen en een werkschoort die in staat zijn kleine stukjes slijpsel of werkstukfragmenten te weerstaan.** De oogbescherming moet in staat zijn rondvliegend afval te stoppen dat ontstaat bij de diverse werkzaamheden. Het stofmasker of ademhalingsapparaat moet in staat zijn deeltjes te filteren die ontstaat bij de werkzaamheden. Langdurige blootstelling aan zeer intens geluid kan leiden tot gehoorbeschadiging.
 10. **Houd omstanders op veilige afstand van uw werkterrein. Iedereen die uw werkterrein betreedt, moet beschermende kleding dragen.** Er zouden splinters van uw slijpschijf kunnen rondvliegen en verwondingen kunnen veroorzaken, ook buiten uw onmiddellijke werkomgeving.
 11. **Houd het elektrisch gereedschap enkel aan de geïsoleerde handgrepen vast, wanneer u werkt op plaatsen waar het snijwerktuig met verborgen bedrading of met zijn eigen snoer in aanraking kan komen.** Als een draad die onder stroom staat wordt beschadigd, kunnen de metalen delen van het gereedschap ook onder stroom komen te staan en kunt u een gevaarlijke elektrische schok krijgen.
 12. **Zorg dat het snoer uit de buurt blijft van het draaiend werktuig.** Als u de controle over het gereedschap verliest, kan het snoer worden doorgesneden of bekneld raken en kan uw hand of arm tegen het ronddraaiende werktuig worden aangetrokken.
 13. **Leg het elektrisch gereedschap altijd pas neer nadat het snijwerktuig volledig tot stilstand is gekomen.** Anders kan de draaiende schijf het oppervlak aangrijpen en het gereedschap uit uw greep los rukken.
 14. **Laat het elektrisch gereedschap niet draaien terwijl u het naast u draagt.** Als het ronddraaiende accessoire u per ongeluk raakt, kan het verstrikt raken in uw kleding waardoor het accessoire in uw lichaam wordt getrokken.
 15. **Maak de ventilatieopeningen van het gereedschap regelmatig schoon.** De ventilator van de motor zal het stof de behuizing in trekken, en een grote opeenhoping van metaalslijpsel kan leiden tot elektrisch gevaarlijke situaties.
 16. **Gebruik het elektrisch gereedschap niet in de buurt van brandbare materialen.** Vonken kunnen deze materialen doen ontvlammen.
 17. **Gebruik geen accessoires die met vloeistof moeten worden gekoeld.** Het gebruik van water of andere vloeibare koelmiddelen kan leiden tot elektrocutie of elektrische schokken.
- Terugslag en aanverwante waarschuwingen**
- Terugslag is een plotselinge heftige reactie op een beknelde of vastgelopen draaischijf. Het knel raken of vastlopen veroorzaakt een snelle stilstand van de draaiende schijf, wat op zijn beurt ertoe leidt dat het elektrisch gereedschap zich ongecontroleerd beweegt in de richting tegengesteld aan de draairichting van de schijf op het moment van vastlopen.
- Bijvoorbeeld, als een slijpschijf bekneld raakt of vastloopt in het werkstuk, kan de rand van de schijf die het beknellingspunt ingaat, zich invreten in het oppervlak van het materiaal waardoor de schijf eruit klimt of eruit slaat. De schijf kan daarbij naar de gebruiker toe of weg springen, afhankelijk van de draairichting van de schijf op het beknellingspunt. Slijpschijven kunnen in dergelijke situaties ook breken.
- Terugslag is het gevolg van misgebruik van het elektrisch gereedschap en/of onjuiste gebruiksprocedures of -omstandigheden, en kan worden voorkomen door goede voorzorgsmaatregelen te treffen, zoals hieronder vermeld.
- a) **Houd het gereedschap stevig vast en houd uw armen en lichaam zodanig dat u in staat bent een terugslag op te vangen. Gebruik altijd de extra handgreep (indien aanwezig) voor een maximale controle over het gereedschap in geval van terugslag en de koppelreactiekrachten bij het starten.** De gebruiker kan een terugslag of de koppelreactiekrachten opvangen indien de juiste voorzorgsmaatregelen worden getroffen.
 - b) **Plaats uw hand nooit in de buurt van het draaiende accessoire.** Het accessoire kan terugslaan over uw hand.
 - c) **Zorg dat uw lichaam buiten het rotatievlak van de draaiende slijpschijf blijft.** Een terugslag zal het gereedschap bewegen in de tegenovergestelde richting van de draairichting van de schijf op het moment van beknellen.

- d) **Wees bijzonder voorzichtig bij het werken met hoeken, scherpe randen, enz. Voorkom dat het accessoire springt of bekneld raakt.** Hoeken, scherpe randen of springen veroorzaken vaak beknellen van het draaiende accessoire wat leidt tot terugslag of verlies van controle over het gereedschap.
- e) **Bevestig geen zaagketting, houtbewerkingsblad of gesegmenteerde diamantschijf met randopeningen van meer dan 10 mm, of enig getand zaagblad.** Dergelijke bladen leiden vaak tot terugslag of verlies van controle over het gereedschap.
- f) **Laat de draaischijf niet vastlopen en oefen er niet te veel druk op uit. Probeer niet om direct een zo diep mogelijke snede te maken.** Een te grote kracht op de schijf verhoogt de belasting en de kans dat de schijf in de snede verdraait of vastloopt, waardoor terugslag kan optreden of de schijf kan breken.
- g) **Wanneer de schijf vastloopt of u het slijpen onderbreekt, schakel u het elektrisch gereedschap uit en houdt u dit stil totdat de schijf volledig tot stilstand is gekomen. Probeer nooit om de slijpschijf uit de snede te halen terwijl de schijf nog draait, anders kan er terugslag optreden.** Onderzoek waarom de schijf is vastgelopen en tref afdoende maatregelen om de oorzaak ervan op te heffen.
- h) **Begin niet met doorslijpen terwijl de schijf al in het werkstuk steekt. Wacht totdat de schijf op volle snelheid heeft bereikt en breng daarna de schijf voorzichtig terug in de snede.** Wanneer het elektrisch gereedschap opnieuw wordt gestart terwijl de schijf al in het werkstuk steekt, kan de schijf vastlopen, omhoog lopen of terugslaan.
- i) **Ondersteun platen en grote werkstukken om de kans op het beknellen van de schijf en terugslag te minimaliseren.** Grote werkstukken neigen door te zakken onder hun eigen gewicht. U moet het werkstuk ondersteunen vlakbij de snijlijn en vlakbij de rand van het werkstuk aan beide kanten van de schijf.
- j) **Wees extra voorzichtig bij blind slijpen in bestaande wanden of op andere plaatsen.** De uitstekende schijf kan gas- of waterleidingen, elektrische bedrading of voorwerpen die terugslag veroorzaken raken.
18. **Voordat u een gesegmenteerde diamantschijf gebruikt, controleert u dat de diamantschijf randopeningen van 10 mm of minder tussen de segmenten heeft, met alleen een negatieve hellingshoek.**

Aanvullende veiligheidsaanschuivingen:

19. **Probeer nooit om te gaan snijden met het gereedschap ondersteboven in een werkbank geklemd. Dat is bijzonder gevaarlijk en kan leiden tot zeer ernstige ongelukken.**
20. **Bepaalde materialen kunnen giftige chemicaliën bevatten. Let op dat u geen stof inademt en zorg dat er niets op uw huid komt. Volg de veiligheidsvoorschriften van de leverancier van de materialen.**

21. **Berg de schijven op volgens de aanbevelingen van de fabrikant. Bij onjuiste opslag kunnen de schijven beschadigd raken.**

BEWAAR DEZE VOORSCHRIFTEN.

⚠ WAARSCHUWING:

LAAT NIET uw vertrouwdheid met het gereedschap (na regelmatig gebruik) omslaan in slordigheid of onachtzaamheid omtrent de strikt na te leven veiligheidsvoorschriften voor dit product. ONACHTZAAAMHEID of niet naleven van de veiligheidsvoorschriften in deze handleiding kan leiden tot ernstig lichamelijk letsel.

BESCHRIJVING VAN DE FUNCTIES

⚠ LET OP:

- Zorg altijd dat het gereedschap is uitgeschakeld en de stekker uit het stopcontact is verwijderd alvorens functies op het gereedschap af te stellen of te controleren.

Asvergrendeling (Fig. 1)

⚠ LET OP:

- Schakel nooit de asvergrendeling in terwijl de as nog draait. Dat kan het gereedschap beschadigen.

Druk de asvergrendeling in om te voorkomen dat de as wegdraait wanneer u accessoires aanbrengt of verwijderd.

Richtlijn (Fig. 2)

Er zijn inkepingen vooraan en achteraan op de gereedschapsvoet. Deze dienen om de gebruiker te helpen een rechte snijlijn te volgen.

Afstellen van de snijdiepte (Fig. 3)

De snijdiepte kan worden afgesteld binnen een bereik van 0 tot 30 mm.

Draai de klemschroef los en verstel de wijzer zo dat deze op de instelschaal naar de gewenste snijdiepte wijst.

Draai vervolgens de klemschroef weer stevig vast.

Schakelaarwerking (Fig. 4)

⚠ LET OP:

- Controleer voordat u de stekker in het stopcontact steekt, altijd even of de trekkerschakelaar goed werkt en bij loslaten naar de "UIT"-stand terugkeert.

Voor gereedschap met een vergrendelknop

⚠ LET OP:

- De schakelaar kan in de "AAN"-stand vergrendeld worden, hetgeen bij langdurig gebruik comfortabeler werkt. Wees extra voorzichtig wanneer u de schakelaar in de "AAN"-stand vergrendelt en houd het gereedschap altijd stevig vast.

Om het gereedschap te starten, drukt u enkel de trekkerschakelaar in. Laat de trekkerschakelaar los om te stoppen.

Voor doorlopend gebruik drukt u eerst de trekkerschakelaar en dan de vergrendelknop in, dan kunt u de trekkerschakelaar loslaten.

Om het gereedschap te stoppen vanuit de vergrendelde stand, drukt u de trekkerschakelaar helemaal in en laat u die vervolgens los.

Voor gereedschap met een uitstand-borgknop

LET OP:

- Druk niet hard op de trekkerschakelaar zonder ook de uitstand-borgknop ingedrukt te houden. Daardoor kan de schakelaar defect raken.

Om per ongeluk indrukken van de trekkerschakelaar te voorkomen, is er voorzien in een uitstand-borgknop.

Om het gereedschap te starten, houdt u de uitstand-borgknop ingedrukt en drukt u de trekkerschakelaar in. Laat de trekkerschakelaar los om te stoppen.

Voor gereedschap zonder vergrendelknop / uitstand-borgknop

Om het gereedschap te starten, drukt u enkel de trekkerschakelaar in. Laat de trekkerschakelaar los om te stoppen.

Elektronische functies

Gereedschappen die voorzien zijn van elektronische functieregeling zijn handig in het gebruik door de volgende functies.

Constante snelheidsregeling

Elektronische snelheidsregeling voor het aanhouden van een constante snelheid. Een nauwkeurige afwerking is mogelijk omdat de draaisnelheid constant wordt gehouden, ook bij variabele belasting.

Zacht starten

De schok bij het opstarten wordt beperkt, zodat het gereedschap soepel start.

Beveiliging tegen overbelasting

Bij mogelijke overbelasting stopt het gereedschap automatisch, om de motor en de schijf te beschermen. Wanneer het toelaatbare niveau weer is bereikt, zal het gereedschap opnieuw automatisch starten.

INEENZETTEN

LET OP:

- Zorg altijd dat het gereedschap is uitgeschakeld en de stekker uit het stopcontact is verwijderd alvorens enig werk aan het gereedschap uit te voeren.

Verwijderen van diamantschijven (Fig. 5, 6 en 7)

Draai de bout los met de zeskantsleutel en verwijder de bout.

Open de schijfbeschermer terwijl u de gereedschapsvoet vasthoudt.

OPMERKING:

- De gereedschapsvoet gaat onmiddellijk open door de veerkracht.

Draai de diamantschijven terwijl u de asvergrendeling indrukt totdat deze aangrijpt.

Verwijder de borgmoer door die linksom los te draaien met de borgmoersleutel.

Verwijder de diamantschijven en de afstandsringen.

Afstellen van de sleufbreedte (afstand tussen de twee diamantschijven)

De breedte van de te snijden sleuf kan worden afgesteld door aanpassing van het aantal afstandsringen, zoals getoond in de tabel. (Fig. 8)

Installeren van de diamantschijven (Fig. 9 en 10)

Installeer de diamantschijf zorgvuldig op de as.

Laat de pijl op de diamantschijf in dezelfde richting wijzen als de pijl op het gereedschap. Installeer de afstandsringen, de andere diamantschijf en de borgmoer.

Draai de borgmoer rechtsom stevig vast met de borgmoersleutel terwijl u de asvergrendeling ingedrukt houdt.

Breng de schijfbeschermer en de gereedschapsvoet terug in hun oorspronkelijke stand en zet ze vast met de bout.

Hoek van de voorhandgreep instellen (Fig. 11)

Draai de twee bouten aan weerszijden van de voorhandgreep los met de zeskantsleutel. Zet de voorhandgreep in de gewenste stand en draai de twee bouten stevig vast.

OPMERKING:

- Als de handgreep niet gemakkelijk versteld kan worden, draait u de bouten iets verder los.

Zijdelings verplaatsen van de voorhandgreep (Fig. 12)

Verwijder de twee bouten aan weerszijden van de voorhandgreep met de zeskantsleutel. Verstel de plaats van de nok.

Steek de langere bout in het boutgat aan de kant dichtbij de nok en steek de korte bout in het boutgat aan de tegenovergestelde kant. Draai de twee bouten stevig vast.

Aansluiten op een stofzuiger (Fig. 13)

Bij gebruik van een Makita stofverzamelaar sluit u de slang voor de stofzuiger direct aan op de stofuitlaat.

OPMERKING:

- De stofuitlaat is vrijelijk draaibaar zodat u hem in elke gewenste hoek kunt gebruiken, al naar gelang de vereisten van het werk.

Opbergen van de zeskantsleutel (Fig. 14)

Wanneer u de zeskantsleutel niet gebruikt, bergt u die op hem niet kwijt te raken.

BEDIENING

LET OP:

- Trek het gereedschap altijd naar u toe wanneer u sleuven in het werkstuk snijdt.
- Gebruik dit gereedschap uitsluitend voor het maken van rechte sneden. Als u bochten maakt, kunnen de diamantschijven barsten of in stukken breken, hetgeen verwonding van omstanders kan veroorzaken.
- Na het werk schakelt u altijd het gereedschap uit en wacht u tot de diamantschijven volledig tot stilstand zijn gekomen voordat u het gereedschap neerlegt.
- Houd tijdens het werk het gereedschap stevig vast met de ene hand aan de schakelhandgreep en de andere hand aan de voorhandgreep.

Houd het gereedschap stevig met beide handen vast. Zorg allereerst dat de diamantschijven uw werkstuk niet raken. Schakel dan het gereedschap in en wacht tot de diamantschijven op volle snelheid zijn gekomen.

(Fig. 15)

Om in het werkstuk te gaan snijden, trekt u het gereedschap naar u toe (dus druk het niet van u af). Plaats de inkeping op de gereedschapsvoet precies op de bedoelde snijlijn. Druk de voorhandgreep voorzichtig omlaag totdat deze stopt en trek daarna het gereedschap langzaam naar u toe. (Fig. 16)

Breng het gereedschap na afloop van het snijden nog niet direct omhoog, maar schakel het eerst uit. Wacht tot de diamantschijven volledig tot stilstand zijn gekomen en til het gereedschap daarna pas omhoog.

Verwijder het resterende deel tussen de twee schijfinsneden met ander daarvoor geschikt gereedschap.

ONDERHOUD

⚠ LET OP:

- Zorg altijd dat het gereedschap is uitgeschakeld en de stekker uit het stopcontact is verwijderd alvorens te beginnen met inspectie of onderhoud.
- Gebruik nooit benzine, wasbenzine, thinner, alcohol en dergelijke. Dat kan verkleuring, vervormingen en barsten veroorzaken.

Houd het gereedschap en zijn luchtgaten altijd schoon. Reinig regelmatig de luchtgaten van het gereedschap, vooral wanneer deze door vuil verstopt beginnen te raken. (Fig. 17)

Scherpen van de diamantschijf

Als de diamantschijf bot geworden is en niet meer goed snijdt, gebruik dan een afgedankte slijpschijf van een tafelslijpmachine voor grofslijpen of een betonnen blok om de diamantschijf te scherp te maken. Zet de slijpschijf of het betonnen blok goed vast en snijd erin met de diamantschijf.

Om de VEILIGHEID en BETROUWBAARHEID van het gereedschap te verzekeren, dienen alle reparaties, inspectie en vervanging van koolborstels, en alle andere onderhoudswerkzaamheden of afstellingen te worden uitgevoerd door een erkend Makita servicecentrum, en dit uitsluitend met gebruik van originele Makita vervangingsonderdelen.

OPTIONELE ACCESSOIRES

⚠ LET OP:

- Deze accessoires of hulpstukken worden aanbevolen voor gebruik met het Makita gereedschap dat in deze gebruiksaanwijzing is beschreven. Bij gebruik van andere accessoires of hulpstukken bestaat er gevaar voor persoonlijke verwonding. Gebruik de accessoires of hulpstukken uitsluitend voor hun bestemde doel.

Raadpleeg het dichtstbijzijnde Makita Servicecentrum voor verder advies of bijzonderheden omtrent deze accessoires.

- Diamantschijven

OPMERKING:

- Sommige onderdelen in deze lijst kunnen bij het gereedschap zijn meeverpakt als standaard-accessoires. Deze kunnen van land tot land verschillen.

ENG905-1

Geluidsniveau

De typisch, A-gewogen geluidsniveaus vastgesteld volgens EN60745:

Geluidsdruk niveau (L_{pA}): 97 dB (A)

Geluidsvermogen niveau (L_{WA}): 108 dB (A)

Onnauwkeurigheid (K): 3 dB (A)

Draga oorbeschermers

Trilling

De totaalwaarde van de trillingen (triaxiale vectorsom) vastgesteld volgens EN60745:

Toepassing: beton slijpen

Trillingsemmissie (a_{h1}): 5,0 m/s²

Onnauwkeurigheid (K): 1,5 m/s²

ENG901-1

- De opgegeven trillingsemmissiewaarde is gemeten volgens de standaardtestmethode en kan worden gebruikt om dit gereedschap te vergelijken met andere gereedschappen.
- De opgegeven trillingsemmissiewaarde kan ook worden gebruikt voor een beoordeling vooraf van de blootstelling.

⚠ WAARSCHUWING:

- De trillingsemmissie tijdens het gebruik van het elektrisch gereedschap in de praktijk kan verschillen van de opgegeven trillingsemmissiewaarde afhankelijk van de manier waarop het gereedschap wordt gebruikt.
- Zorg ervoor dat veiligheidsmaatregelen worden getroffen ter bescherming van de operator die zijn gebaseerd op een schatting van de blootstelling onder praktijkomstandigheden (rekening houdend met alle fasen van de bedrijfscyclus, zoals de tijdsduur gedurende welke het gereedschap is uitgeschakeld en stationair draait, naast de ingeschakelde tijdsduur).

ENH101-18

Alleen voor Europese landen

EU-Verklaring van Conformiteit

Makita verklaart hierbij dat de volgende machine(s):

Aanduiding van de machine:

Sleuvenzaag

Modelnr./ Type: SG1251

Voldoet aan de volgende Europese Richtlijnen:

2006/42/EU

Ze zijn gefabriceerd in overeenstemming met de volgende norm of genormaliseerde documenten:

EN60745

Het technisch documentatiebestand volgens 2006/42/EU is verkrijgbaar in:

Makita, Jan-Baptist Vinkstraat 2, 3070, België

7.2.2014



Yasushi Fukaya
Directeur

Makita, Jan-Baptist Vinkstraat 2, 3070, België

Explicación de los dibujos

- | | | |
|---|--|--------------------------------|
| 1 Bloqueo del eje | 9 Base de la herramienta | 16 Perno (Corto) |
| 2 Ranura | 10 Contratuerca | 17 Leva |
| 3 Escala | 11 Llave de contratuerca | 18 Perno (Largo) |
| 4 Tornillo de sujeción | 12 Disco de diamante | 19 Boquilla de aspiración |
| 5 Gatillo interruptor | 13 Anillo espaciador 6
(6 mm de grosor) | 20 Aspirador |
| 6 Botón de bloqueo / Botón de
desbloqueo | 14 Anillo espaciador 3
(3 mm de grosor) | 21 Manguera |
| 7 Perno | 15 Mango delantero | 22 Llave hexagonal |
| 8 Protector del disco | | 23 Abertura de entrada de aire |
| | | 24 Abertura de salida de aire |

ESPECIFICACIONES

Modelo	SG1251
Diámetro de la rueda de corte	125 mm
Grosor máx. del disco	2,1 mm
Velocidad especificada	10.000 (min ⁻¹)
Rosca del mandril	M14
Longitud total	350 mm
Peso neto	4,5 kg
Clase de seguridad	II/II

- Debido a un programa continuo de investigación y desarrollo, las especificaciones aquí dadas están sujetas a cambios sin previo aviso.
- Las especificaciones pueden ser diferentes de país a país.
- Peso de acuerdo con el procedimiento EPTA 01/2003

GEB112-6

ENE026-1

Uso previsto

La herramienta está diseñada para cortar canales en paredes de hormigón o cortar en materiales ferrosos o canalizaciones de hormigón con disco de diamante pero sin agua.

ENF002-2

Alimentación

La herramienta solamente debe ser conectada a una fuente de alimentación de la misma tensión que la indicada en la placa de características, y solamente puede ser utilizada con alimentación de CA monofásica. La herramienta está doblemente aislada y, por consiguiente, también puede utilizarse con tomas de corriente sin conductor de puesta a tierra.

GEA010-1

Advertencias de seguridad generales para herramientas eléctricas

⚠ ¡ADVERTENCIA! Lea todas las advertencias de seguridad y todas las instrucciones. Si no sigue todas las advertencias e instrucciones podrá ocasionar una descarga eléctrica, un incendio y/o heridas graves. **Guarde todas las advertencias e instrucciones para futuras referencias.**

ADVERTENCIAS DE SEGURIDAD PARA LA RANURADORA

1. **El protector de disco provisto con la herramienta deberá estar fijado firmemente en la herramienta eléctrica y estar colocado de forma que ofrezca la máxima seguridad, quedando hacia el operario la mínima parte de disco desprotegida. Colóquese usted y los curiosos alejados del plano de giro del disco.** El protector de disco ayuda a proteger al operario de los fragmentos de un disco roto y de un contacto accidental con el disco.
2. **Utilice solamente discos de corte de diamante para su herramienta eléctrica.** Solamente porque un accesorio pueda ser instalado en su herramienta eléctrica, no quiere decir que su operación sea segura.
3. **La velocidad especificada del accesorio deberá ser por lo menos igual a la máxima velocidad marcada en la herramienta eléctrica.** Los accesorios utilizados por encima de su velocidad especificada podrán romperse y salir despedidos.
4. **Los discos deberán ser utilizados solamente para las aplicaciones recomendadas. Por ejemplo: no amole con el costado de un disco de corte.** Los discos de corte abrasivo han sido previstos para amolado periférico, estos discos pueden desintegrarse si se les aplican fuerzas laterales.
5. **Utilice siempre bridas de disco que no estén dañadas y que sean del tamaño correcto para el disco que ha seleccionado.** Las bridas de disco correctas sujetan los discos de tal manera que reducen la posibilidad de que el disco se rompa.

6. **El diámetro exterior y el grosor de su accesorio deberán estar dentro del rango de capacidad de su herramienta eléctrica.** Los accesorios de tamaño incorrecto no podrán ser protegidos y controlados debidamente.
 7. **El tamaño del agujero para eje de los discos y bridas deberá encajar debidamente en el eje de la herramienta eléctrica.** Los discos y bridas con agujero para eje que no coincida con el eje de montaje de la herramienta eléctrica se desequilibrarán, vibrarán excesivamente y podrán ocasionar una pérdida de control.
 8. **No utilice discos dañados. Antes de cada utilización, inspeccione los discos para ver si están mellados o agrietados. Si deja caer la herramienta eléctrica o el disco, inspecciónelo para ver si está dañado o instale un disco que no esté dañado. Después de inspeccionar e instalar el disco, póngase usted y los curiosos alejados del plano de giro del disco y haga funcionar la herramienta a la velocidad sin carga máxima durante un minuto.** Normalmente, los discos dañados se romperán durante este tiempo de prueba.
 9. **Póngase equipo de protección personal. En función de la aplicación, utilice pantalla facial, gafas de protección o gafas de seguridad. Según corresponda, póngase mascarilla contra el polvo, protectores auditivos, guantes y delantal de taller que pueda detener los pequeños fragmentos abrasivos o de pieza de trabajo que salgan despedidos.** La protección de los ojos deberá poder detener los desechos despedidos generados en distintas operaciones. La mascarilla contra el polvo o respirador deberá poder filtrar las partículas generadas por la operación que realice. Una exposición prolongada a ruido de alta intensidad podrá ocasionar pérdida auditiva.
 10. **Mantenga a los curiosos alejados a una distancia segura del área de trabajo. Cualquier persona que entre en el área de trabajo deberá usar equipo de protección personal.** Los fragmentos de la pieza de trabajo o de un disco roto pueden salir volando y ocasionar heridas más allá del área de operación inmediata.
 11. **Cuando realice una operación en la que el accesorio de corte pueda entrar en contacto con cableado oculto o con su propio cable, sujete la herramienta eléctrica por las superficies de aislamiento aisladas solamente.** El contacto del accesorio de corte con un cable con corriente hará que la corriente circule por las partes metálicas expuestas de la herramienta eléctrica y podrá soltar una descarga eléctrica al operario.
 12. **Posicione el cable de alimentación alejado del accesorio giratorio.** Si pierde el control, el cable podrá ser cortado o enredarse y tirar de su mano o brazo hacia el disco giratorio.
 13. **No deje nunca la herramienta eléctrica hasta que el accesorio se haya detenido completamente.** El disco giratorio puede agarrarse en la superficie y tirar de la herramienta eléctrica dejándola fuera de control.
 14. **No tenga en marcha la herramienta eléctrica mientras la trasporta en su costado.** Un contacto accidental con el accesorio giratorio podrá enredar sus ropas, y atraer el accesorio hacia su cuerpo.
 15. **Limpie regularmente los orificios de ventilación de la herramienta eléctrica.** El ventilador del motor conducirá el polvo hacia el interior de la carcasa y una acumulación excesiva de metal en polvo podrá ocasionar peligros eléctricos.
 16. **No utilice la herramienta eléctrica cerca de materiales inflamables.** Las chispas podrán encender estos materiales.
 17. **No utilice accesorios que requieran refrigerantes líquidos.** La utilización de agua u otros refrigerantes líquidos podrá resultar en una descarga eléctrica o electrocución.
- Advertencias sobre retrocesos bruscos y otros peligros relacionados**
- El retroceso brusco es una reacción repentina debida a un aprisionamiento o estancamiento del disco giratorio. El aprisionamiento o estancamiento ocasiona un detenimiento rápido del disco giratorio que a su vez hace que la herramienta eléctrica descontrolada sea forzada en dirección opuesta a la rotación del disco en el punto de bloqueo.
- Por ejemplo, si el disco abrasivo queda aprisionado o estancado por la pieza de trabajo, el borde del disco que está entrando en el punto de estancamiento puede hincarse en la superficie del material haciendo que el disco se salga de la hendidura o salte. El disco podrá saltar hacia el operario o en dirección contraria a él, dependiendo de la dirección del movimiento del disco en el punto de estancamiento. Los discos abrasivos también podrán romperse en estas condiciones.
- El retroceso brusco es el resultado de un mal manejo de la herramienta eléctrica y/o procedimientos o condiciones de operación incorrectos y pueden evitarse tomando las precauciones apropiadas ofrecidas a continuación.
- a) **Mantenga agarrada firmemente la herramienta eléctrica y coloque su cuerpo y brazo de forma que le permitan resistir las fuerzas del retroceso brusco. Utilice siempre el mango auxiliar, si está provisto, para tener el máximo control sobre el retroceso brusco o reacción de torsión durante la puesta en marcha.** El operario puede controlar las reacciones de torsión o fuerzas del retroceso brusco, si toma las precauciones adecuadas.
 - b) **No ponga nunca su mano cerca del accesorio giratorio.** El accesorio podrá retroceder bruscamente sobre su mano.
 - c) **No ponga su cuerpo en línea con el disco giratorio.** El retroceso brusco propulsará la herramienta en dirección opuesta al movimiento del disco en el punto del enredo.
 - d) **Tenga cuidado especial cuando trabaje esquinas, bordes afilados, etc. Evite que el accesorio rebote o se enrede.** Las esquinas, bordes afilados o los rebotes tienen una tendencia a enredar el accesorio giratorio y causar una pérdida de control o retroceso brusco.
 - e) **No coloque una cadena de sierra, disco de tallar madera, disco de diamante segmentado con una holgura mayor de 10 mm ni un disco de sierra dentado.** Tales discos crean retrocesos bruscos y pérdida de control frecuentes.

- f) No “atasque” el disco ni ejerza presión excesiva. No intente hacer un corte de excesiva profundidad. Si fatiga en exceso el disco, aumentará la carga y la susceptibilidad de retorcerse o estancarse en el corte y existirá la posibilidad de que se produzca un retroceso brusco o la rotura del disco.
- g) Cuando el disco esté estancándose o cuando quiera interrumpir un corte por cualquier razón, apague la herramienta eléctrica y sujétela sin moverla hasta que se haya detenido completamente. No intente nunca sacar el disco del corte estando el disco moviéndose porque podrá producirse un retroceso brusco. Investigue y tome medidas correctivas para eliminar la causa del estancamiento del disco.
- h) No recomience la operación de corte en la pieza de trabajo. Deje que el disco alcance plena velocidad y vuelva a entrar en el corte cuidadosamente. Si vuelve a poner en marcha la herramienta eléctrica en la pieza de trabajo, el disco podrá estancarse, saltar o retroceder bruscamente.
- i) Sujete los paneles o cualquier pieza de trabajo demasiado grande para minimizar el riesgo de que el disco se estanque o retroceda bruscamente. Las piezas de trabajo grandes tienden a combarse con su propio peso. Deberá poner apoyos debajo de la pieza de trabajo cerca de la línea de corte y cerca del borde de la pieza de trabajo en ambos lados del disco.
- j) Extreme las precauciones cuando haga un “corte por hundimiento” en paredes u otras áreas ciegas. La parte saliente del disco podría cortar tuberías de gas o agua, cables eléctricos u objetos que pueden ocasionar un retroceso brusco.
18. Antes de utilizar el disco de diamante segmentado, asegúrese de que el disco de diamante tiene la holgura periférica de 10 mm o menos entre los segmentos, solamente con un ángulo de ataque negativo.

Advertencias de seguridad adicionales:

19. No intente nunca cortar con la herramienta sujeta al revés en un tornillo de banco. Esto podrá acarrear accidentes graves, porque es muy peligroso.
20. Algunos materiales contienen sustancias químicas que podrán ser tóxicas. Tenga precaución para evitar la inhalación de polvo y el contacto con la piel. siga los datos de seguridad del abastecedor del material.
21. Almacene los discos siguiendo las recomendaciones del fabricante. Un almacenamiento inadecuado puede dañar los discos.

GUARDE ESTAS INSTRUCCIONES.

⚠ ADVERTENCIA:

NO deje que la comodidad o familiaridad con el producto (a base de utilizarlo repetidamente) sustituya la estricta observancia de las normas de seguridad para el producto en cuestión. El MAL USO o el no seguir las normas de seguridad establecidas en este manual de instrucciones podrá ocasionar graves heridas personales.

DESCRIPCIÓN DEL FUNCIONAMIENTO

⚠ PRECAUCIÓN:

- Asegúrese siempre de que la herramienta esté apagada y desenchufada antes de ajustar o comprobar cualquier función de la herramienta.

Bloqueo del eje (Fig. 1)

⚠ PRECAUCIÓN:

- No accione nunca el bloqueo del eje cuando el eje esté moviéndose. Podría dañar la herramienta.

Presione el bloqueo del eje para impedir que el eje gire cuando vaya a instalar o desmontar accesorios.

Guía visual (Fig. 2)

En las partes delantera y trasera de la base hay ranuras. Con la ayuda de estas ranuras el operario puede seguir una línea de corte recta.

Ajuste de la profundidad de ranura (Fig. 3)

La profundidad de ranura se puede ajustar entre 0 mm y 30 mm.

Afloje el tornillo de sujeción y ajuste el puntero en la graduación de la profundidad deseada en la escala.

Apriete el tornillo de sujeción firmemente.

Accionamiento del interruptor (Fig. 4)

⚠ PRECAUCIÓN:

- Antes de enchufar la herramienta, compruebe siempre para cerciorarse de que el gatillo interruptor se acciona debidamente y que vuelve a la posición “OFF” cuando lo suelta.

Para herramienta con botón de bloqueo

⚠ PRECAUCIÓN:

- El interruptor puede ser bloqueado en la posición “ON” para mayor comodidad del operario durante una utilización prolongada. Tenga precaución cuando bloquee la herramienta en la posición “ON” y mantenga la herramienta firmemente empujada.

Para poner en marcha la herramienta, simplemente apriete el gatillo interruptor. Suelte el gatillo interruptor para parar.

Para una operación continua, apriete el gatillo interruptor, presione hacia dentro el botón de bloqueo y después suelte el gatillo interruptor.

Para parar la herramienta desde la posición bloqueada, apriete el gatillo interruptor completamente, después suéltelo.

Para herramienta con botón de desbloqueo

⚠ PRECAUCIÓN:

- No apriete el gatillo interruptor con fuerza sin presionar el botón de desbloqueo. Ello podrá ocasionar la rotura del interruptor.

Para evitar que el gatillo interruptor pueda accionarse accidentalmente, se ha provisto un botón de desbloqueo.

Para poner en marcha la herramienta, presione hacia dentro el botón de desbloqueo y apriete el gatillo interruptor. Suelte el gatillo interruptor para parar.

Para herramienta sin botón de bloqueo / botón de desbloqueo

Para poner en marcha la herramienta, simplemente apriete el gatillo interruptor. Suelte el gatillo interruptor para parar.

Función electrónica

Las herramientas equipadas con función electrónica son fáciles de utilizar gracias a las siguientes características.

Control constante de la velocidad

Control de velocidad electrónico para mantener la velocidad constante. Se puede lograr un acabado fino, porque la velocidad de giro se mantiene constante incluso en condición de carga.

Inicio suave

La función de inicio suave minimiza el golpe del inicio, y hace que la herramienta comience suavemente.

Protector de sobrecarga

Cuando la herramienta sea empleada superando la carga admisible, se parará automáticamente para proteger el motor y el disco. Cuando la carga vuelva otra vez al nivel admisible, la herramienta podrá ser puesta en marcha automáticamente.

MONTAJE

⚠ PRECAUCIÓN:

- Asegúrese siempre de que la herramienta esté apagada y desenchufada antes de realizar cualquier trabajo en ella.

Desmontaje de los discos de diamante (Fig. 5, 6 y 7)

Afloje y quite el perno con la llave hexagonal.

Abra la protector del disco mientras sujeta la base de la herramienta.

NOTA:

- La base de la herramienta se abrirá accionada por la fuerza del resorte.

Gire los discos de diamante mientras presiona el bloqueo del eje hasta que este se accione.

Quite la contratuerca girándola hacia la izquierda con la llave de contratuerca.

Quite los discos de diamante y los anillos espaciadores.

Ajuste de la anchura de ranura (la distancia entre los dos discos de diamante)

Ajuste la anchura de la ranura cambiando el número de los anillos espaciadores como se muestra en la tabla. (Fig. 8)

Instalación de los discos de diamante (Fig. 9 y 10)

Monte el disco de diamante en el eje con cuidado.

Alinee las direcciones de la flecha en el disco de diamante y de la flecha en la herramienta. Instale los anillos espaciadores, el otro disco de diamante y la contratuerca.

Apriete la contratuerca firmemente hacia la derecha con la llave de contratuerca mientras presiona el bloqueo del eje.

Vuelva a poner la protector del disco y la base de la herramienta en sus posiciones originales y apriete el perno para sujetarlas.

Ajuste del ángulo del mango delantero (Fig. 11)

Afloje los dos pernos en ambos lados del mango delantero con la llave hexagonal. Mueva el mango delantero al ángulo que desee y apriete los dos pernos firmemente.

NOTA:

- Si el mango no pudiera moverse fácilmente, afloje los pernos un poco más.

Desplazamiento del mango delantero lateralmente (Fig. 12)

Afloje los dos pernos en ambos lados del mango delantero con la llave hexagonal. Cambie la posición de la leva.

Inserte el perno más largo en el lado cercano a la leva y el más corto en el lado opuesto. Apriete los dos pernos firmemente.

Conexión de un aspirador (Fig. 13)

Cuando utilice un colector de polvo Makita, conecte la manguera para el conecte la manguera para el aspirador directamente.

NOTA:

- La boquilla de aspiración puede girarse libremente para que pueda utilizarla en cualquier ángulo de acuerdo con su operación.

Almacenamiento de la llave hexagonal (Fig. 14)

Cuando no esté utilizando la llave hexagonal, almacénela para evitar perderla.

OPERACIÓN

⚠ PRECAUCIÓN:

- Asegúrese de tirar de la herramienta cuando corte una pieza de trabajo.
- Utilice esta herramienta para cortes en línea recta solamente. Si corta curvas podrá ocasionar grietas de fatiga o fragmentación de los discos de diamante resultando en posibles heridas a personas cercanas.
- Después de la operación, apague siempre la herramienta y espere hasta que los discos de diamante se hayan parado completamente antes de dejar la herramienta.
- Sujete la herramienta firmemente con una mano en el mango del interruptor y la otra en la empuñadura delantera cuando utilice la herramienta.

Sujete la herramienta firmemente con ambas manos. En primer lugar mantenga los discos de diamante sin que toquen la pieza de trabajo. Después encienda la herramienta y espere hasta que los discos de diamante adquieran plena velocidad. (Fig. 15)

Para cortar una pieza de trabajo, tire de la herramienta hacia usted (no empujando alejándola de usted). Alinee la ranura de la base con la línea de corte. Empuje el mango delantero hacia abajo suavemente hasta que se pare y después tire de la herramienta despacio. (Fig. 16) Antes de terminar la operación de corte y levantar la herramienta, apáguela primero. Espere hasta que los discos de diamante se hayan detenido completamente y después levante la herramienta.

Quite la porción que queda entre los cortes de los dos discos con otras herramientas apropiadas.

MANTENIMIENTO

ENG901-1

⚠ PRECAUCIÓN:

- Asegúrese siempre de que la herramienta esté apagada y desenchufada antes de intentar realizar una inspección o mantenimiento.
- No utilice nunca gasolina, bencina, disolvente, alcohol o similares. Podría producir descolocación, deformación o grietas.

La herramienta y sus aberturas de ventilación han de mantenerse limpias. Limpie las aberturas de ventilación regularmente o siempre que los orificios empiecen a estar obstruidos. (Fig. 17)

Reacondicionamiento del disco de diamante

Si la eficiencia del disco de diamante empieza a disminuir, reacondicione el disco de diamante utilizando una muela de rectificar de grano grueso vieja o un bloque de hormigón. Para hacerlo, sujete firmemente la muela de rectificar o bloque de cemento y corte en él.

Para mantener la SEGURIDAD y FIABILIDAD del producto, las reparaciones, la inspección y sustitución de la escobilla de carbón, y cualquier otro mantenimiento o ajuste deberán ser realizados en centros de servicios autorizados por Makita, empleando siempre piezas de repuesto de Makita.

ACCESORIOS OPCIONALES

⚠ PRECAUCIÓN:

- Estos accesorios o acoplamientos están recomendados para utilizar con su herramienta Makita especificada en este manual. El empleo de cualesquiera otros accesorios o acoplamientos conllevará un riesgo de sufrir heridas personales. Utilice los accesorios o acoplamientos solamente para su fin establecido.

Si necesita cualquier ayuda para más detalles en relación con estos accesorios, pregunte a su centro de servicio Makita local.

- Discos de diamante

NOTA:

- Algunos elementos de la lista podrán estar incluidos en el paquete de la herramienta como accesorios estándar. Pueden variar de un país a otro.

ENG905-1

Ruido

El nivel de ruido A-ponderado típico determinado de acuerdo con la norma EN60745:

- Nivel de presión sonora (L_{pA}): 97 dB (A)
- Nivel de potencia sonora (L_{WA}): 108 dB (A)
- Incerteza (K): 3 dB (A)

Póngase protectores en los oídos

ENG900-1

Vibración

El valor total de la vibración (suma de vectores triaxiales) determinado de acuerdo con la norma EN60745:

- Modo tarea: corte de cemento
- Emisión de vibración (a_{h1}): 5,0 m/s²
- Incerteza (K): 1,5 m/s²

- El valor de emisión de vibración declarado ha sido medido de acuerdo con el método de prueba estándar y se puede utilizar para comparar una herramienta con otra.
- El valor de emisión de vibración declarado también se puede utilizar en una valoración preliminar de exposición.

⚠ ADVERTENCIA:

- La emisión de vibración durante la utilización real de la herramienta eléctrica puede variar del valor de emisión declarado dependiendo de las formas en las que la herramienta sea utilizada.
- Asegúrese de identificar medidas de seguridad para proteger al operario que estén basadas en una estimación de la exposición en las condiciones reales de utilización (teniendo en cuenta todas las partes del ciclo operativo tal como las veces cuando la herramienta está apagada y cuando está funcionando en vacío además del tiempo de gatillo).

ENH101-18

Para países europeos solamente

Declaración de conformidad CE

Makita declara que la(s) máquina(s) siguiente(s):

Designación de máquina:

Ranuradora

Modelo N°/ Tipo: SG1251

Cumplen con las directivas europeas siguientes:

2006/42/CE

Están fabricadas de acuerdo con las normas o documentos normalizados siguientes:

EN60745

El archivo técnico de acuerdo con la norma 2006/42/CE está disponible en:

Makita, Jan-Baptist Vinkstraat 2, 3070, Bélgica

7.2.2014



Yasushi Fukaya
Director

Makita, Jan-Baptist Vinkstraat 2, 3070, Bélgica

Explicação geral

1 Bloqueio do veio	9 Base da ferramenta	16 Parafuso (curto)
2 Entalhe	10 Porca de bloqueio	17 Came
3 Escala	11 Chave da porca de bloqueio	18 Parafuso (longo)
4 Parafuso de fixação	12 Disco de diamante	19 Bocal para poeira
5 Gatilho do interruptor	13 Anel espaçador 6 (6 mm de espessura)	20 Aspirador
6 Botão de bloqueio / Botão de desbloqueio	14 Anel espaçador 3 (3 mm de espessura)	21 Mangueira
7 Parafuso	15 Pega frontal	22 Chave hexagonal
8 Caixa da lâmina		23 Ventilação de inalação
		24 Ventilação de exaustão

ESPECIFICAÇÕES

Modelo	SG1251
Diâmetro do disco	125 mm
Espessura máxima do disco	2,1 mm
Velocidade nominal	10.000 min ⁻¹
Rosca do eixo	M14
Comprimento total	350 mm
Peso líquido	4,5 kg
Classe de segurança	II/III

GEB112-6

- Devido a um programa contínuo de pesquisa e desenvolvimento, estas especificações podem ser alteradas sem aviso prévio.
- As especificações podem variar de país para país.
- Peso de acordo com o Procedimento 01/2003 da EPTA (European Power Tool Association)

ENE026-1

Utilização a que se destina

A ferramenta destina-se a abrir rasgos em paredes de betão ou cortar materiais ferrosos ou canais de drenagem em betão com um disco de diamante mas sem utilizar água.

ENF002-2

Alimentação

A ferramenta só deve ser ligada a uma fonte de alimentação com a mesma voltagem da indicada na placa de características e só funciona com alimentação CA monofásica. Tem um sistema de isolamento duplo e pode, por isso, utilizar tomadas sem ligação à terra.

GEA010-1

Avisos gerais de segurança para ferramentas eléctricas

⚠ AVISO! Leia todos os avisos de segurança e todas as instruções. O não cumprimento de todos os avisos e instruções pode originar choque eléctrico, incêndio e/ou ferimentos graves.
Guarde todos os avisos e instruções para futuras referências.

AVISOS DE SEGURANÇA PARA A CORTADORA DE PAREDE

1. **O resguardo fornecido com a ferramenta tem de estar bem preso à ferramenta eléctrica e posicionado para máxima segurança, de modo a que apenas fique exposta uma pequena quantidade do disco em direcção ao operador. Coloque-se afastado do plano do disco rotativo e peça às pessoas que estejam perto da acção para fazerem o mesmo.** O resguardo ajuda a proteger o operador contra fragmentos do disco que se partam e contra o contacto accidental com o disco.
2. **Utilize apenas discos de corte em diamante na sua ferramenta eléctrica.** Pelo facto de um acessório poder ser anexado à sua ferramenta eléctrica, não assegura um funcionamento seguro.
3. **A velocidade nominal do acessório deve ser pelo menos igual à velocidade máxima indicada na ferramenta.** Os acessórios que funcionam em velocidade mais alta do que a velocidade nominal podem quebrar e se estilhaçar.
4. **Os discos têm de ser utilizados apenas para as aplicações recomendadas. Por exemplo: não rebarbar com a parte lateral do disco de corte.** Os discos de corte abrasivo foram concebidos para a rebarbação periférica, a pressão lateral pode provocar a quebra desses discos.
5. **Utilize sempre flanges de discos não danificados, que tenham do diâmetro correcto para o disco seleccionado.** As flanges adequadas para os discos suportam o disco reduzindo, deste modo, a possibilidade de o disco partir.

6. **O diâmetro externo e a espessura do acessório devem estar dentro da capacidade nominal da ferramenta eléctrica.** Não é possível proteger ou controlar adequadamente os acessórios de tamanho incorrecto.
 7. **O tamanho da haste dos discos e flanges tem de encaixar devidamente no eixo da ferramenta eléctrica.** Os discos e flanges com orifícios de hastes que não correspondem ao hardware de montagem da ferramenta eléctrica ficam desequilibrados, vibram excessivamente e podem provocar perda de controlo.
 8. **Não utilize discos danificados. Antes de cada utilização, inspecione os discos para ver se têm falhas e rachas. Se a ferramenta eléctrica ou o disco caírem, inspecione quanto a danos ou instale um disco não danificado. Depois de inspecionar e instalar a roda, posicione-se afastado do plano do disco rotativo, e peça a todas as pessoas presentes para o fazerem também, e ponha a ferramenta a funcionar na velocidade de carga máxima durante um minuto.** Os discos danificados partem, normalmente, durante este teste.
 9. **Utilize equipamento de protecção pessoal. Utilize um protector facial, óculos de segurança ou protectores oculares, conforme a aplicação. Utilize uma máscara contra pó, protectores auriculares, luvas e avental capazes de resguardar contra pedaços de abrasivos ou estilhaços da peça de trabalho.** Os protectores oculares devem ter capacidade de resguardar contra fragmentos gerados por diversas operações. A máscara contra pó ou de respiração deve ter capacidade de filtrar partículas geradas pela operação com a ferramenta. A exposição prolongada a ruídos de alta intensidade pode causar a perda de audição.
 10. **Mantenha as pessoas a uma distância segura da área de trabalho. Todas as pessoas que entrem na área de trabalho têm de usar equipamento de protecção pessoal.** Os fragmentos da peça de trabalho ou de um disco partido podem ser projectados para longe e provocar ferimentos além da zona imediata da operação.
 11. **Segure na ferramenta eléctrica apenas pelas superfícies isoladas para esse fim, quando realizar uma operação onde o acessório de corte pode entrar em contacto com cabos ocultos ou com o seu próprio cabo de alimentação.** O contacto do acessório com um cabo “com corrente” pode passar a corrente para as partes metálicas expostas da ferramenta eléctrica e provocar um choque eléctrico no operador.
 12. **Posicione o cabo eléctrico afastado do acessório rotativo.** Se perder o controlo, o cabo pode ser cortado ou ficar preso e a sua mão ou braço podem ser puxados para o disco rotativo.
 13. **Nunca pouse a ferramenta eléctrica sem que o acessório esteja completamente parado.** O disco rotativo pode prender na superfície e descontrolar a ferramenta eléctrica.
 14. **Não funcione a ferramenta eléctrica enquanto a carrega ao seu lado.** O contacto accidental com o acessório rotativo pode prender as roupas, puxando o acessório na direcção do seu corpo.
 15. **Limpe os orifícios de ventilação da ferramenta eléctrica regularmente.** A ventoinha do motor aspira o pó dentro da caixa e a acumulação excessiva de metal pulverizado pode causar choque eléctrico.
 16. **Não funcione a ferramenta eléctrica próximo de materiais inflamáveis.** As fagulhas podem incendiar esses materiais.
 17. **Não utilize acessórios que requerem refrigerantes líquidos.** A utilização de água ou outros refrigerantes líquidos pode resultar em choque ou electrocussão.
- Advertências sobre contragolpes**
- O recuo é uma reacção súbita a um disco rotativo preso ou enganchado. Quando a ferramenta prende ou engancha em algum material faz com que o disco rotativo pare subitamente o que, por sua vez, descontrola a ferramenta eléctrica que é empurrada na direcção oposta à da rotação do disco no ponto de prisão.
- Se o disco abrasivo ficar preso ou enroscado na peça de trabalho, por exemplo, a sua borda que está a entrar no ponto onde prendeu, pode entrar na superfície do material fazendo com que o disco salte ou cause um contragolpe. O disco pode pular na direcção do operador ou na direcção oposta, dependendo do sentido do movimento do disco no ponto onde foi preso. Os discos abrasivos também podem quebrar nessas circunstâncias.
- O contragolpe é o resultado de utilização imprópria da ferramenta eléctrica e/ou condições ou procedimentos incorrectos para o funcionamento e pode ser evitado tomando-se as medidas de precaução relacionadas abaixo.
- a) **Segure firme a ferramenta eléctrica e posicione-se de tal forma que o seu corpo e braço permitam-lhe resistir à força do contragolpe. Utilize sempre o punho auxiliar, se fornecido, para controlo máximo sobre o contragolpe ou reacção do torque durante a partida.** O operador poderá controlar as reacções do torque ou as forças do contragolpe se tomar as precauções necessárias.
 - b) **Nunca coloque as mãos perto do acessório rotativo.** O acessório pode recuar sobre a sua mão.
 - c) **Não posicione o seu corpo em linha com o disco rotativo.** O contragolpe lança a ferramenta na direcção oposta ao movimento do disco no ponto onde prende.
 - d) **Tenha cuidado especialmente ao trabalhar em cantos, arestas cortantes, etc. Evite bater com a ferramenta e prender o acessório.** Os cantos, arestas cortantes ou as batidas com a ferramenta tendem a prender o acessório rotativo e causar perda de controlo ou contragolpe.
 - e) **Não fixe uma serra, uma lâmina para esculpir, um disco de diamante segmentado ou uma lâmina de serra dentada, um disco de diamante segmentado com uma folga periférica superior a 10 mm ou uma lâmina de serra dentada.** Essas lâminas criam contragolpes frequentes e perda de controlo.

- f) **Não “engrave” o disco nem aplique pressão excessiva. Não tente fazer um corte demasiado profundo.** Provocar demasiada tensão no disco aumenta a carga e a possibilidade de o disco girar ou dobrar dentro do corte e, conseqüentemente, a possibilidade de recuo ou de quebra do disco.
- g) **Se o disco ficar preso ou quando interromper o corte por qualquer motivo, desligue a ferramenta e segure-a até que o disco pare completamente. Nunca tente retirar o disco do corte se ainda estiver em movimento, caso contrário pode ocorrer recuo.** Verifique e tome as medidas correctivas para eliminar a causa do emperramento do disco.
- h) **Não reinicie a operação de corte na peça de trabalho. Aguarde até que o disco atinja a velocidade máxima e coloque-o no corte cuidadosamente.** O disco pode emperrar, pular ou contragolpear se ligar a ferramenta na peça de trabalho.
- i) **Apóie as tábuas ou peças de trabalho muito grandes para minimizar o risco do disco prender e de contragolpe.** As peças de trabalho grandes tendem a ceder sob o próprio peso. Os apoios devem ser colocados debaixo da peça de trabalho perto da linha de corte e da borda da peça de trabalho, nos dois lados.
- j) **Tenha cuidado especialmente quando fazendo um corte de perfuração numa parede ou outras zonas invisíveis.** O disco exposto pode cortar canos de gás ou de água, fios eléctricos ou outros objectos que podem causar contragolpe.
18. **Antes de utilizar um disco de diamante segmentada, certifique-se de que o disco de diamante apresenta uma folga periférica entre os segmentos de 10 mm ou menos, apenas com um ângulo de inclinação negativo.**

Advertências de segurança adicionais:

19. **Nunca tente cortar com a ferramenta virada ao contrário num torno de bancada. Isto pode provocar acidentes graves, porque é extremamente perigoso.**
20. **Alguns materiais contêm produtos químicos que podem ser tóxicos. Tome todas as precauções para impedir a inalação de poeiras e o contacto com a pele. Siga os dados de segurança do fornecedor do material.**
21. **Guarde os discos de acordo com as recomendações do fabricante. Um armazenamento inadequado pode danificar os discos.**

GUARDE ESTAS INSTRUÇÕES.

⚠️ AVISO:

NÃO permita que conforto ou familiaridade com o produto (adquirido com o uso repetido) substitua a aderência estrita às regras de segurança da ferramenta. MÁ INTERPRETAÇÃO ou não seguimento das regras de segurança estabelecidas neste manual de instruções pode causar danos pessoais sérios.

DESCRIÇÃO FUNCIONAL

⚠️ PRECAUÇÃO:

- Certifique-se de que a ferramenta está desligada e a ficha retirada da tomada antes de regular ou verificar qualquer função na ferramenta.

Bloqueio do veio (Fig. 1)

⚠️ PRECAUÇÃO:

- Nunca accione o bloqueio do veio quando o eixo estiver em movimento. A ferramenta pode ficar danificada.

Pressione o bloqueio do veio para evitar a rotação do eixo quando instala ou retira acessórios.

Pontos de mira (Fig. 2)

Existem entalhes na parte da frente e de trás da base. Estas são úteis para o operador conseguir seguir uma linha recta de corte.

Ajuste a profundidade das ranhuras (Fig. 3)

A profundidade dos entalhes pode ser ajustada entre 0 mm e 30 mm.

Solte o parafuso de fixação e ajuste o ponteiro à regulação de profundidade pretendida na escala. Depois, aperte firmemente o parafuso de fixação.

Acção do interruptor (Fig. 4)

⚠️ PRECAUÇÃO:

- Antes de ligar a ferramenta à corrente eléctrica, verifique sempre se o gatilho do interruptor funciona correctamente e regressa à posição “OFF” (desligada) quando o solta.

Para ferramentas com botão de bloqueio

⚠️ PRECAUÇÃO:

- O interruptor pode ser bloqueado na posição “ON” (ligada) para conforto do operador durante a utilização prolongada. Tenha cuidado ao bloquear a ferramenta na posição “ON” (ligada) e segure-a com firmeza.

Para ligar a ferramenta, carregue simplesmente no gatilho do interruptor. Liberte o gatilho do interruptor para parar.

Para operação contínua, carregue no gatilho do interruptor, empurre o botão de bloqueio e em seguida solte o gatilho do interruptor.

Para parar a ferramenta da posição de bloqueada, aperte completamente o gatilho do interruptor, em seguida solte-o.

Para ferramentas com botão de desbloqueio

⚠️ PRECAUÇÃO:

- Não puxe o gatilho do interruptor com força sem premir o botão de desbloqueio. Pode partir o interruptor.

Para evitar que o gatilho do interruptor seja puxado acidentalmente, existe um botão de desbloqueio.

Para pôr a ferramenta a trabalhar, prima o botão de desbloqueio e puxe o gatilho do interruptor. Liberte o gatilho do interruptor para parar.

Para ferramentas sem botão de bloqueio/botão de desbloqueio

Para ligar a ferramenta, carregue simplesmente no gatilho do interruptor. Liberte o gatilho do interruptor para parar.

Função electrónica

As ferramentas equipadas com uma função electrónica são fáceis de utilizar devido às seguintes funcionalidades.

Controlo da velocidade constante

Controlo electrónico da velocidade para obter velocidade constante. Possibilidade de obter um acabamento mais perfeito, porque a velocidade de rotação é mantida constante mesmo durante as condições de carga.

Arranque suave

A funcionalidade de arranque suave minimiza o choque do arranque e faz a ferramenta começar a funcionar suavemente.

Protector contra sobrecarga

Quando a ferramenta tiver de ser utilizada acima da carga admissível, parará automaticamente para proteger o motor e o disco. Quando a carga voltar ao nível admissível, a ferramenta pode ser reiniciada automaticamente.

ASSEMBLAGEM

⚠ PRECAUÇÃO:

• Certifique-se sempre de que a ferramenta está desligada e a ficha retirada da tomada antes de executar qualquer trabalho na ferramenta.

Remoção dos discos de diamante (Fig. 5, 6 e 7)

Desaperte e retire o parafuso com a chave hexagonal. Abra a caixa da lâmina enquanto segura na base da ferramenta.

NOTA:

• A base da ferramenta abre-se com um esticão pela força de uma mola.

Rode os discos de diamante ao mesmo tempo que empurra o bloqueio do veio até encaixar.

Retire a porca de bloqueio rodando-a no sentido contrário ao dos ponteiros do relógio com a chave da porca de bloqueio.

Retire os discos de diamante e os anéis espaçadores.

Ajuste a largura da ranhura (a distância entre os dois discos de diamante)

Ajuste a largura da ranhura mudando o número de anéis espaçadores, como indicado na tabela. (Fig. 8)

Instalação dos discos de diamante (Fig. 9 e 10)

Monte o disco de diamante cuidadosamente sobre o eixo.

Alinhe as direcções da seta no disco de diamante e na ferramenta. Instale os anéis espaçadores, o outro disco de diamante e a porca de bloqueio.

Aperte a porca de bloqueio em segurança no sentido dos ponteiros do relógio com a chave de porca de bloqueio enquanto prime o bloqueio do veio.

Volte a colocar a lâmina na caixa e a base da ferramenta na posição original e aperte o parafuso para os prender.

Ajuste do ângulo da pega frontal (Fig. 11)

Solte os dois parafusos em ambos os lados da pega frontal com a chave hexagonal. Mova a pega frontal para o ângulo pretendido e aperte firmemente os dois parafusos.

NOTA:

• Quando não é possível mover facilmente a pega, solte ainda mais os parafusos.

Passagem da pega frontal para os lados (Fig. 12)

Retire os dois parafusos em ambos os lados da pega frontal com a chave hexagonal. Mude a posição da came.

Insira o parafuso mais longo na parte lateral mais perto da came e o parafuso mais curto no lado oposto. Aperte firmemente os dois parafusos.

Ligação ao aspirador (Fig. 13)

Quando se utiliza um coletor de poeiras Makita, ligue a mangueira do aspirador directamente no bocal para poeiras.

NOTA:

• O bocal para poeiras pode ser rodado livremente para que o possa utilizar em qualquer ângulo de acordo com o trabalho.

Armazenamento da chave hexagonal (Fig. 14)

Quando não está a ser utilizada, guarde a chave hexagonal para não a perder.

OPERAÇÃO

⚠ PRECAUÇÃO:

- Certifique-se de que puxa a ferramenta quando corta a peça de trabalho.
- Utilize esta ferramenta apenas para cortes em linha recta. Fazer cortes curvos pode provocar rachas de tensão ou fragmentação dos discos de diamante resultando em possíveis ferimentos nas pessoas que se encontram nas proximidades.
- Após a operação, desligue sempre a ferramenta e aguarde até os discos de diamante pararem completamente antes de pousar a ferramenta.
- Segure firmemente na ferramenta, com uma mão na pega do interruptor e a outra na pega frontal, quando estiver a utilizá-la.

Segure bem a ferramenta com as duas mãos. Primeiro, mantenha os discos de diamante sem qualquer contacto com uma peça de trabalho. Depois, ligue a ferramenta e aguarde até os discos de diamante atingirem a velocidade máxima. (Fig. 15)

Para cortar uma peça de trabalho, puxe a ferramenta na sua direcção (nunca a empurre afastando-a de si). Alinhe o entalhe na base com a linha de corte. Empurre a pega frontal com cuidado até parar e, depois, puxe a ferramenta lentamente. (Fig. 16)

Antes de terminar a operação de corte e levantar a ferramenta da peça de trabalho, desligue-a primeiro. Aguarde até os discos de diamante pararem completamente a, depois, levante a ferramenta.

Retire a parte restante entre as passagens das duas lâminas com outras ferramentas adequadas.

MANUTENÇÃO

⚠ PRECAUÇÃO:

- Certifique-se sempre de que a ferramenta está desligada e a ficha retirada da tomada antes de executar qualquer inspeção ou manutenção.
- Nunca utilize gasolina, benzeno, diluente, álcool ou produtos semelhantes. Pode ocorrer a descoloração, deformação ou rachaduras.

A ferramenta e as suas ventilações devem ser mantidas limpas. Limpe regularmente as ventilações da ferramenta ou quando começarem a ficar obstruídas. (Fig. 17)

Reafiar o disco de diamante

Se a acção de corte do disco de diamante diminuir, utilize um disco velho e grosseiro de rebarbadora ou um bloco de cimento para reafiar o disco de diamante. Para isso, prenda seguramente o disco ou o bloco de cimento e corte.

Para manter a SEGURANÇA e FIABILIDADE do produto, as reparações, a inspecção e substituição da escova de carvão, qualquer outra operação de manutenção ou ajuste, devem ser efectuados pelos centros de assistência autorizados da Makita, utilizando sempre peças de substituição Makita.

ACESSÓRIOS OPCIONAIS

⚠ PRECAUÇÃO:

- Estes acessórios ou peças são recomendados para utilização com a ferramenta Makita especificada neste manual. A utilização de outros acessórios ou peças pode ser perigosa para as pessoas. Utilize apenas acessórios ou peças para os fins indicados.

Se precisar de ajuda para obter mais informações relativos a estes acessórios, entre em contacto com o centro de assistência Makita local.

- Discos de diamante

NOTA:

- Alguns itens da lista podem estar incluídos na embalagem da ferramenta como acessórios padrão. Eles podem variar de país para país.

ENG905-1

Ruído

A característica do nível de ruído A determinado de acordo com EN60745:

- Nível de pressão de som (L_{pA}): 97 dB (A)
- Nível de potência sonora (L_{WA}): 108 dB (A)
- Variabilidade (K): 3 dB (A)

Utilize protectores para os ouvidos

ENG900-1

Vibração

Valor total da vibração (soma vectorial tri-axial) determinado conforme EN60745:

- Modo de funcionamento: corte em betão
- Emissão de vibração (a_h): 5,0 m/s²
- Variabilidade (K): 1,5 m/s²

- O valor da emissão de vibração indicado foi medido de acordo com o método de teste padrão e pode ser utilizado para comparar duas ferramentas.
- O valor da emissão de vibração indicado pode também ser utilizado na avaliação preliminar da exposição.

⚠ AVISO:

- A emissão de vibração durante a utilização real da ferramenta eléctrica pode diferir do valor de emissão indicado, dependendo das formas como a ferramenta é utilizada.
- Certifique-se de identificar as medidas de segurança para protecção do operador que sejam baseadas em uma estimativa de exposição em condições reais de utilização (considerando todas as partes do ciclo de operação, tal como quando a ferramenta está desligada e quando está a funcionar em marcha lenta além do tempo de accionamento).

ENH101-18

Só para países Europeus

Declaração de conformidade CE

A Makita declara que a(s) seguinte(s) máquina(s):

Designação da ferramenta:

Cortadora de Parede

Modelos n°/ Tipo: SG1251

Em conformidade com as seguintes directivas europeias:

2006/42/CE

São fabricadas de acordo com as seguintes normas ou documentos normalizados:

EN60745

O ficheiro técnico de acordo com a 2006/42/CE está disponível em:

Makita, Jan-Baptist Vinkstraat 2, 3070, Bélgica

7.2.2014



Yasushi Fukaya
Director

Makita, Jan-Baptist Vinkstraat 2, 3070, Bélgica

Illustrationsoversigt

1 Aksellås	9 Maskinbase	17 Kam
2 Hak	10 Låsemøtrik	18 Bolt (lang)
3 Skala	11 Låsemøtriknøgle	19 Støvsugermunding
4 Fastspændingsskrue	12 Diamantskive	20 Støvsuger
5 Afbryderknap	13 Afstandsring 6 (6 mm tyk)	21 Slange
6 Låseknap / Aflåseknap	14 Afstandsring 3 (3 mm tyk)	22 Unbrakonøgle
7 Bolt	15 Fronthåndtag	23 Indsugningsåbning
8 Bladhuset	16 Bolt (kort)	24 Udstødsåbning

SPECIFIKATIONER

Model	SG1251
Skivediameter	125 mm
Maks. skivetykkelse	2,1 mm
Nominelle hastighed	10 000 min ⁻¹
Spindelgevind	M14
Længde	350 mm
Vægt	4,5 kg
Sikkerhedsklasse	□/II

- På grund af vores kontinuerlige forskningsprogrammer og udvikling, kan hosstående specifikationer blive ændret uden varsel.
- Specifikationer kan variere fra land til land.
- Vægt i henhold til EPTA-Procedure 01/2003

GEB112-6

SIKKERHEDSADVARSLER FOR RILLEFRÆSER

1. **Den beskyttelsesskærm, som følger med maskinen, skal monteres forsvarligt på maskinen og anbringes, så den yder maksimal sikkerhed, således at mindst muligt af skiven er blottet i forhold til operatøren. Placér Dem selv og omkringstående på god afstand af den roterende skives høvl.** Beskyttelsesskærmen bidrager til at beskytte operatøren mod fragmenter fra en brækket skive og utilsigtet kontakt med skiven.
2. **Brug kun diamantskiver til Deres maskine.** Den omstændighed at en tilbehørsdel kan monteres på maskinen, er ingen garanti for, at anvendelsen bliver sikkerhedsmæssig forsvarlig.
3. **Tilbehøret skal være beregnet til mindst den nominelle hastighed, som er anført på maskinen.** Tilbehør, som kører med en større hastighed end den, som tilbehøret er beregnet til, kan brække og slynges af.
4. **Skiver må kun bruges til de anbefalede anvendelser. For eksempel: slib ikke med siden af en afskæringsskive.** Slibende afskæringsskiver er beregnet til periferisk slibning. Hvis disse skiver udsættes for sidetryk, kan resultatet blive, at de brækker.
5. **Brug altid ubeskadigede skiveflanger, som har den rigtige diameter til den valgte skive.** Rigtige skiveflanger støtter skiven, hvorved risiko for skivebrud nedsættes.
6. **Tilbehørets ydre diameter og tykkelse skal være inden for din maskines kapacitetsrating.** Tilbehør med en forkeret størrelse kan ikke beskyttes eller styres tilstrækkeligt.

ENE026-1

Tilsløst anvendelse

Denne maskine er beregnet til fræsning af spor i betonvægge eller fræsning i jernmaterialer eller betonafløbskanaler med en diamantklinge, men uden anvendelse af vand.

ENF002-2

Strømforsyning

Maskinen må kun tilsluttes en strømforsyning med den samme spænding, som den der er angivet på typeskiltet, og kan kun anvendes med enkeltfaset vekselstrømforsyning. Den er dobbeltisoleret og kan derfor også anvendes fra kontakter uden jordledning.

GEA010-1

Almindelige sikkerhedsregler for el-værktøj

⚠ ADVARSEL! Læs alle sikkerhedsadvarsler og alle sikkerhedsinstruktioner. Hvis nedenstående advarsler og instruktioner ikke overholdes, kan resultatet blive elektrisk stød, brand og/eller alvorlig personskade. **Gem alle advarsler og instruktioner til fremtidig reference.**

7. **Dornstørrelsen på skiver og flanger skal passe nøjagtigt til spindelen på maskinen.** Skiver og flanger med dornhuller, som ikke passer til maskinens monteringsdele, vil miste balancen, vibrere ekstremt og kan føre til tab af kontrol.
8. **Brug ikke beskadigede skiver. Inspicér inden brugen altid skiverne for skår og revner. Hvis maskinen eller skiven tabes, skal man efterse for skader eller en ubeskadiget skive skal monteres. Efter inspektion og montering af tilbehør, skal De selv og omkringstående stå på god afstand af den roterende skives høvl, og maskinen skal køres på højeste, ubelastede hastighed i et minut.** Beskadigede skiver vil normalt brække under denne prøvetid.
9. **Anvend personligt beskyttelsesudstyr. Afhængigt af brugen skal der anvendes beskyttelsesbriller eller sikkerhedsbriller. Efter behov skal der anvendes støvmaske, høreværn, handsker og beskyttelsesforklæde, som er i stand til at stoppe små skarpe fragmenter fra arbejdsemnet.** Øjenbeskyttelsen skal kunne stoppe afslyngede stykker, som er frembragt af forskelligt arbejde. Støvmaske og respirator skal kunne stoppe filtreringspartikler, som er frembragt af arbejdet. Længere tids udsættelse for støj af høj intensitet kan føre til høretab.
10. **Hold omkringstående på god afstand af arbejdsområdet. Enhver person, som befinder sig i arbejdsområdet, skal bære personligt beskyttelsesudstyr.** Fragmenter fra arbejdsemner eller fra en brækket skive kan blive slynget af og kan være årsag til tilskadekomst, også uden for det umiddelbare arbejdsområde.
11. **Hold kun maskinen i de isolerede grebflader, når der udføres et arbejde, hvor det skærende tilbehør kan komme i berøring med skjulte ledninger eller dets egen ledning.** Skærende tilbehør, som kommer i berøring med en strømførende ledning, kan gøre udsatte metaldele på maskinen strømførende, hvorved operatøren kan få stød.
12. **Anbring altid ledningen, så den ikke kommer i kontakt med roterende tilbehør.** Hvis De mister herredømmet over maskinen, kan ledningen blive skåret over eller sætte sig fast, og Deres hånd eller arm kan blive trukket ind i den roterende skive.
13. **Læg aldrig maskinen fra Dem, før tilbehøret er stoppet fuldstændigt.** Det roterende tilbehør kan gribe fat i overfladen, hvorved De kan miste herredømmet over maskinen.
14. **Lad ikke maskinen køre, mens De bærer den ved siden.** Utilslaget kontakt med det roterende tilbehør kan gribe fat i tøjet og derved trække tilbehøret ind mod kroppen.
15. **Rengør maskinens ventilationsåbninger med jævne mellemrum.** Motorens vifte vil trække støv ind i huset, og en kraftig ophobning af metalstøv kan skabe elektrisk fare.
16. **Anvend ikke maskinen i nærheden af brændbare materialer.** Disse materialer kan blive antændt af gnister.
17. **Anvend ikke tilbehør, der kræver kølevæske.** Anvendelse af vand eller anden kølevæske kan resultere i dødelig stød eller elektriske stød.

Tilbageslag og relaterede advarsler

Tilbageslag er en pludselig reaktion på en fastklemt eller blokeret roterende skive. Fastklemning eller blokering forårsager hurtig standsning af den roterende skive, som derved bliver årsag til, at den ukontrollerede maskine bliver tvunget i den modsatte retning af skivens rotation ved punktet for bindingen.

Hvis for eksempel en slibeskive er blokeret eller fastklemt af arbejdsemnet, kan kanten på skiven, som går ind i fastklemningspunktet, grave sig ind i materialets overflade og derved bevirke, at skiven kommer ud eller presses ud. Skiven kan enten slynges mod eller bort fra operatøren, afhængigt af skivens bevægelse på fastklemningspunktet. Slibeskiver kan også brække under disse forhold.

Tilbageslag er resultatet af misbrug af maskinen og/eller fejlagtig anvendelse eller forkerte brugsforhold og kan undgås ved at man tager de rigtige forholdsregler som vist herunder.

- a) **Hold godt fast i maskinen og hold kroppen og armen således, at De kan modvirke tilbageslagskraften. Anvend altid hjælpehåndtaget, hvis et sådant medfølger, til at opnå maksimal kontrol af tilbageslag og drejningsmoment under starten.** Operatøren kan kontrollere drejningsmomentreaktion eller tilbageslagskraft, hvis de rigtige forholdsregler tages.
- b) **Anbring aldrig hænderne i nærheden af roterende tilbehør.** De risikerer at få hånden ind i tilbageslagets bane.
- c) **Stil Dem ikke på linie med den roterende skive.** Tilbageslag vil slynge maskinen i den modsatte retning af hjulets omdrejning på blokeringstidspunktet.
- d) **Vær særlig omhyggelig, når De arbejder på hjørner, skarpe kanter etc. Undgå at bumpe eller blokere tilbehøret.** Hjørner, skarpe kanter eller bumpen har tendens til at blokere det roterende tilbehør og forårsage tab af kontrol eller tilbageslag.
- e) **Monér ikke en savkæde, en træskæreklinge, eller en segmenteret diamantskive med en periferi-afstand på mere end 10 mm eller en savklinge med tænder.** Sådanne klinger giver hyppige tilbageslag og tab af kontrol.
- f) **Vær påpasselig med ikke at "klemme" skiven udsætte den for et ekstremt tryk. Forsøg ikke at lave en for stor snitdybde.** Et for stort pres på skiven vil øge belastningen og risikoen for at skiven vrider eller binder i snittet med risiko for tilbageslag eller brud på skiven til følge.
- g) **Hvis skiven binder eller hvis en skæring af en eller anden årsag afbrydes, skal De slukke for maskinen og holde den ubevægelig, indtil skiven er holdt helt op med at dreje. Forsøg aldrig at fjerne skiven fra snittet, mens skiven er i bevægelse, da dette kan føre til tilbageslag.** Undersøg problemet og tag de rigtige forholdsregler for at eliminere årsagen til at skiven binder.

- h) Lad være med at starte skæringen i arbejdsemnet. Lad skiven komme op på fuld hastighed og gå derefter forsigtigt ind i snittet igen. Skiven kan binde, presses op eller give tilbageslag, hvis maskinen startes igen i arbejdsemnet.
- i) **Understøt paneler eller alle arbejdsemner i overstrøelse for at minimere risikoen for fastklemning af skiven og tilbageslag.** Store arbejdsemner har tendens til at synke sammen under deres egen vægt. Der skal derfor anbringes støtteanordninger under arbejdsemnet i nærheden af snitlinjen og nær kanten på arbejdsstykket på begge sider af skiven.
- j) **Vær ekstra forsigtig, når De laver et "lommensnit" i eksisterende vægge eller andre blinde områder.** Den fremspringende skive kan komme til at skære i gas- og vandrør, elektriske ledninger eller genstande, som kan forårsage tilbageslag.
18. **Inden en segmenteret diamantskive tages i brug, skal man sikre sig, at diamantskiven har en periferisk afstand mellem segmenterne på 10 mm eller mindre, kun med en negativ rivevinkel.**

Supplerende sikkerhedsforskrifter:

19. **Forsøg aldrig at skære med maskinen fastspændt på hovedet i en skruetvinge. Dette kan føre til alvorlige ulykker, da det er yderst farligt.**
20. **Nogle materialer indeholder kemikalier, som kan være giftige. Vær omhyggelig med at forhindre inhalation af støv og hudkontakt. Følg materialeleverandørens sikkerhedsdata.**
21. **Opbevar skiverne i henhold til fabrikantens anbefalinger. Forkert opbevaring kan beskadige skiverne.**

GEM DENNE BRUGSANVISNING.

⚠ ADVARSEL:

LAD IKKE bekvemmelighed eller kendskab til produktet (opnået gennem gentagen brug) forhindre, at sikkerhedsforskrifterne for produktet nøje overholdes. MISBRUG eller forsømmelse af at følge de i denne brugsvejledning givne sikkerhedsforskrifter kan føre til, at De kommer alvorligt til skade.

BESKRIVELSE AF FUNKTIONERNE

⚠ FORSIGTIG:

- Kontroller altid, at maskinen er afbrudt og taget ud af forbindelse, inden du begynder at justere eller kontrollere dets funktion.

Aksellås (Fig. 1)

⚠ FORSIGTIG:

- Udløs aldrig aksellåsen, mens spindelen bevæger sig. Maskinen kan lide skade.

Tryk på aksellåsen for at forhindre, at spindelen roterer, når tilbehør monteres eller afmonteres.

Sigte (Fig. 2)

Der er riller på for- og bagsiden af basen. Dette bidrager til, at operatøren kan følge en lige skærelinje.

Indstilling af notningslinjen (Fig. 3)

Dybden af notningen kan indstilles inden for området 0 mm til og med 30 mm.

Løsn fastspændingsskruen og indstil viseren til den ønskede graduering på skalaen.

Stram derefter fastspændingsskruen godt til.

Afbryderanvendelse (Fig. 4)

⚠ FORSIGTIG:

- Før maskinen sættes i strømförbindelse, bør De altid kontrollere, at afbryderknappen fungerer korrekt og returnerer til "OFF"-stillingen, når den slippes.

For maskine med låseknap

⚠ FORSIGTIG:

- Kontakten kan låses i "ON"-stillingen for at gøre det nemmere for brugeren ved længere tids brug af maskinen. Vær forsigtig, når maskinen låses i "ON"-stillingen, og hold godt fast i maskinen.

For at starte værktøjet, trykkes der blot på afbryderknappen. Slip afbryderknappen for at stoppe.

For uafbrudt anvendelse skal man trykke afbryderknappen ind, trykke låseknapen ind, og derefter slippe afbryderknappen.

For at stoppe maskinen fra den låste position, skal man trykke afbryderknappen helt ind og derefter slippe den.

For maskine med aflåseknap

⚠ FORSIGTIG:

- Tryk ikke afbryderknappen for meget ind uden af trykke aflåseknapen ind. Dette kan bevirke, at afbryderen brækker.

Maskinen er udstyret med en aflåseknap for at forhindre utilsigtet anvendelse af afbryderknappen.

For at starte maskinen, skal man trykke aflåseknapen ind og trykke afbryderknappen ind. Slip afbryderknappen for at stoppe.

For maskine uden låseknap / aflåseknap

For at starte værktøjet, trykkes der blot på afbryderknappen. Slip afbryderknappen for at stoppe.

Elektronisk funktion

Maskiner, som er udstyret med elektronisk funktion, er nemme at anvende på grund af de følgende egenskaber.

Konstant hastighedskontrol

Elektronisk hastighedskontrol til opnåelse af en konstant hastighed. Det er muligt at opnå en fin finish, fordi omdrejningshastigheden holdes konstant, selv i belastet tilstand.

Blød start

Blød start-egenskaben minimerer stød ved lopstart og bevirker, at maskinen starter harmonisk.

Overbelastningsbeskytter

Hvis maskinen anvendes over den tilladte belastning, vil den automatisk stoppe for at beskytte motoren og skiven. Når belastningen igen er sunket til det tilladte niveau, kan maskinen startes automatisk.

SAMLING

FORSIGTIG:

- Sørg altid for at værktøjet er slukket og netstikket trukket ud, inden der foretages noget arbejde på selve værktøjet.

Afmontering af diamantskiverne (Fig. 5, 6 og 7)

Løsn og fjern boltene med unbrakonøglen.

Åbn bladhuset, idet maskinbasen holdes fast.

BEMÆRK:

- Maskinbasen åbnes ved et slag af fjederkraften.

Drej diamantskiverne, idet du trykker på aksellåsen, indtil den indkobles.

Fjern låsemøtrikken ved at dreje den i retningen mod uret med låsemøtriknøglen.

Fjern diamantskiverne og afstandsringene.

Indstilling af rillebredden (afstanden mellem de to diamantskiver)

Indstil bredden af notning ved at ændre antallet af afstandsringe som vist i oversigten. (Fig. 8)

Montering af diamantskiverne (Fig. 9 og 10)

Monter diamantskiven omhyggeligt på spindelen.

Sæt retningen af pilen på diamantskiven og maskinen ud for hinanden. Monter afstandsringene, den anden diamantskive og låsemøtrikken.

Stram låsemøtrikken godt til i retningen med uret med låsemøtriknøglen, idet du trykker aksellåsen ned.

Sæt bladhuset og maskinbasen tilbage til udgangsstillingen og fastgør dem ved at stramme boltene.

Indstilling af fronthåndtagets vinkel (Fig. 11)

Løsn de to bolte på begge sider af fronthåndtaget med unbrakonøglen. Flyt fronthåndtaget til den ønskede stilling og stram de to bolte godt til.

BEMÆRK:

- Løsn boltene yderligere, hvis håndtaget ikke nemt kan flyttes.

Flytning af fronthåndtaget sidelæns (Fig. 12)

Fjern de to bolte på begge sider af fronthåndtaget med unbrakonøglen. Ændr kammens stilling.

Sæt den lange bolt ind i hullet på den side, der er nærmest kammens og den korte bolt ind i den modsatte side. Stram de to bolte godt til.

Tilslutning til støvsuger (Fig. 13)

Når en Makita-støvsugersamlers anvendes, skal slangen til støvsugeren sættes direkte i støvsugermundingen.

BEMÆRK:

- Støvsugermundingen kan drejes frit, således at den kan anvendes i en hvilken som helst vinkel, som passer til arbejdet.

Opbevaring af unbrakonøgle (Fig. 14)

Når unbrakonøglen ikke anvendes, skal den lægges til opbevaring, så den ikke forsvinder.

BETJENING

FORSIGTIG:

- Sørg altid for at trække maskinen, når du skærer i et arbejdsstykke.
- Anvend kun denne maskine til skæring i lige linje. Skæring af buer kan medføre revner eller brud på diamantskiven med risiko for tilskadekomst af omkringstående personer.

- Afbryd altid maskinen, når du er færdig med at anvende den, og vent indtil diamantskiven er standset helt, inden du lægger maskinen fra dig.
- Hold godt fast i maskinen med den ene hånd på afbryderhåndtaget og den anden på frontgrebet under arbejdet.

Hold altid godt fast i maskinen med begge hænder. Hold først diamantskiverne uden kontakt med arbejdsstykket. Tænd derefter for maskinen og vent, indtil diamantskiverne er kommet op på fuld hastighed. (Fig. 15)

Et arbejdsstykke skæres ved at du trækker maskinen mod dig (ikke ved at bevæge den væk fra dig). Sæt hakket på basen ud for din skærelinje. Tryk fronthåndtaget forsigtigt ned, indtil det stopper, og træk derefter langsomt i maskinen. (Fig. 16)

Inden skæringen afsluttes og maskinen løftes, skal maskinen afbrydes. Vent indtil diamantskiverne er helt standset, og løft derefter maskinen.

Fjern den tiloversblevne del mellem de to blades passage med et andet passende redskab.

VEDLIGEHOLDELSE

FORSIGTIG:

- Sørg altid for, at maskinen er afbrudt og taget ud af forbindelse, inden du forsøger at udføre eftersyn eller vedligeholdelse af maskinen.
- Anvend aldrig benzin, rensbenzin, fortynder, alkohol og lignende. Resultatet kan blive misfarvning, deformation eller revner.

Maskinen og dens ventilationsåbninger skal holdes rene. Rengør maskinens ventilationsåbninger med regelmæssige mellemrum eller hvis ventilationsåbningerne begynder at blive tilstoppede. (Fig. 17)

Skærping af diamantskiven

Hvis diamantskivens skæreeffektivitet bliver reduceret, skal den skærpes med en gammel, kasseret bænkslibemaskine eller en betonklods. For at gøre dette, skal du først fastspænde bænkslibemaskinen eller betonklodsens godt og derefter skære i den.

For at opretholde produktets SIKKERHED og PÅLIDELIGHED, må istandsættelse, eftersyn af kulbørster og udskiftning af dele samt alle andre vedligeholdelsesarbejder og justeringer kun udføres af et autoriseret Makita Servicecenter, og der må kun anvendes udskiftningsdele fra Makita.

EKSTRAUDSTYR

FORSIGTIG:

- Det følgende tilbehør og ekstraudstyr er anbefalet til brug med Deres Makita maskine, der er beskrevet i denne brugsanvisning. Anvendelse af andet tilbehør eller ekstraudstyr kan udgøre en risiko for personskade. Anvend kun tilbehør og ekstraudstyr til det beskrevne formål.

Hvis De har behov for yderligere detaljer om dette tilbehør, bedes De kontakte Deres lokale Makita Service Center.

- Diamantskiver

BEMÆRK:

- Nogle ting på denne liste kan være inkluderet i værktøjspakken som standardtilbehør. Det kan være forskellige fra land til land.

ENG905-1

Lyd

Det typiske A-vægtede støjniveau bestemt i overensstemmelse med EN60745:

Lydtryksniveau (L_{pA}): 97 dB (A)

Lydeffektniveau (L_{WA}): 108 dB (A)

Usikkerhed (K): 3 dB (A)

Bær høreværn

ENG900-1

Vibration

Vibrations totalværdi (tre-aksial vektorsum) bestemt i overensstemmelse med EN60745:

Arbejdsindstilling: skæring i beton

Vibrationsafgivelse (a_{r1}): 5,0 m/s²

Usikkerhed (K): 1,5 m/s²

ENG901-1

- Den angivne vibrationsemissionsværdi er blevet målt i overensstemmelse med standardtestmetoden og kan anvendes til at sammenligne en maskine med en anden.
- Den angivne vibrationsemissionsværdi kan også anvendes i en præliminær eksponeringsvurdering.

⚠ ADVARSEL:

- Vibrationsemissionen under den faktiske anvendelse af maskinen kan være forskellig fra den erklærede emissionsværdi, afhængigt af den måde, hvorpå maskinen anvendes.
- Sørg for at identificere de sikkerhedsforskrifter til beskyttelse af operatøren, som er baseret på en vurdering af eksponering under de faktiske brugsforhold (med hensyntagen til alle dele i brugscyklen, som f.eks. de gange, hvor maskinen er slukket og når den kører i tomgang i tilgift til afbrydertiden).

ENH101-18

Kun for lande i Europa

EU-konformitetserklæring

Makita erklærer, at den følgende maskine (maskiner):

Maskinens betegnelse:

Rillefræser

Model nr./ Type: SG1251

Er i overensstemmelse med de europæiske direktiver:

2006/42/EU

De er fremstillet i overensstemmelse med den følgende standard eller standardiserede dokumenter:

EN60745

Den tekniske fil, som er i overensstemmelse med 2006/42/EU, er tilgængelig fra:

Makita, Jan-Baptist Vinkstraat 2, 3070, Belgien

7.2.2014



Yasushi Fukaya
Direktør

Makita, Jan-Baptist Vinkstraat 2, 3070, Belgien

Περιγραφή γενικής άποψης

1 Κλειδωμα άξονας	9 Βάση εργαλείου	16 Μπουλόνι (κοντό)
2 Εγκοπή	10 Παξιμάδι ασφάλισης	17 Έκκεντρο
3 Κλίμακα	11 Κλειδί παξιμαδιού ασφάλισης	18 Μπουλόνι (μακρύ)
4 Βίδα σύσφιγξης	12 Διαμαντο τροχός	19 Ακροφύσιο σκόνης
5 Σκανδάλη διακόπτης	13 Δακτύλιος απόστασης 6 (6 χιλ πάχους)	20 Ηλεκτρική σκούπα
6 Κουμπί ασφάλισης / Κουμπί κλειδώματος	14 Δακτύλιος απόστασης 3 (3 χιλ πάχους)	21 Εύκαμπτο σωλήνα
7 Μπουλόνι	15 Εμπρόσθια λαβή	22 Εξαγωνικό κλειδί
8 Θήκη λεπίδας		23 Αεραγωγός εισόδου
		24 Αεραγωγός εξόδου

ΤΕΧΝΙΚΑ ΧΑΡΑΚΤΗΡΙΣΤΙΚΑ

Μοντέλο	SG1251
Διάμετρος τροχού	125 χιλ
Μέγιστο πάχος τροχού	2,1 χιλ
Ονομαστική ταχύτητα	10.000 (λεπ ⁻¹)
Σπείρωμα ατράκτου	M14
Ολικό μήκος	350 χιλ
Βάρος καθαρό	4,5 χγρ
Κατηγορία ασφάλειας	☐/II

- Λόγω του συνεχιζόμενου προγράμματος έρευνας και ανάπτυξης, οι παρούσες προδιαγραφές υπόκεινται σε αλλαγή χωρίς προειδοποίηση.
- Τα τεχνικά χαρακτηριστικά μπορεί να διαφέρουν από χώρα σε χώρα.
- Βάρος σύμφωνα με διαδικασία ΕΡΤΑ 01/2003

GEB112-6

ΠΡΟΕΙΔΟΠΟΙΗΣΕΙΣ ΑΣΦΑΛΕΙΑΣ ΑΥΛΑΚΩΤΗ ΤΟΙΧΩΝ

1. **Ο προφυλακτήρας που παρέχεται με το εργαλείο πρέπει να είναι συνδεδεμένος με ασφάλεια στο ηλεκτρικό εργαλείο και τοποθετημένος για μέγιστη ασφάλεια, με τρόπο ώστε το μικρότερο δυνατό μέρος του τροχού να είναι εκτεθειμένο προς το χειριστή. Να στέκεστε εσείς αλλά και οι παρευρισκόμενοι μακριά από το επίπεδο περιστροφής του δίσκου.** Ο προφυλακτήρας βοηθάει στην προστασία του χειριστή από σπασμένα κομμάτια τροχού και τυχαία επαφή με το δίσκο.
2. **Να χρησιμοποιείτε μόνο διαμαντένιο δίσκο κοπής για το ηλεκτρικό εργαλείο σας.** Η χρήση ενός εξαρτήματος απλά και μόνο επειδή δύναται να προσαρμοστεί στο ηλεκτρικό εργαλείο, δεν διασφαλίζει την ασφαλή λειτουργία του.
3. **Η ονομαστική ταχύτητα του εξαρτήματος πρέπει να είναι τουλάχιστον ίση με την μέγιστη ταχύτητα που είναι σημειωμένη στο ηλεκτρικό εργαλείο.** Εξαρτήματα που λειτουργούν ταχύτερα από την ονομαστική ταχύτητα τους μπορεί να σπασουν και να εκτοξευθούν.
4. **Οι δίσκοι πρέπει να χρησιμοποιούνται μόνο στις συνιστώμενες εφαρμογές. Για παράδειγμα: Μη λειαίνετε με την πλευρική επιφάνεια του τροχού κοπής.** Οι τροχοί κοπής προορίζονται για περιφερειακό τρόχισμα. Η εφαρμογή πλευρικών δυνάμεων σε αυτούς τους τροχούς μπορεί να προκαλέσει τη θραύση τους.

ENE026-1

Προορισμένη χρήση

Το εργαλείο προορίζεται για να κάνει αυλακώσεις σε τοίχους από σκυρόδεμα ή για να κόβει σε σιδηρούχα υλικά ή σκυρόδεμα, κανάλια αποστράγγισης με διαμαντένιο τροχό αλλά χωρίς χρήση νερού.

ENF002-2

Ρευματοδότηση

Το εργαλείο πρέπει να συνδέεται μόνο σε ηλεκτρική παροχή της ίδιας τάσης με αυτήν που αναγράφεται στην πινακίδα ονομαστικών τιμών και μπορεί να λειτουργήσει μόνο με εναλλασσόμενο μονοφασικό ρεύμα. Τα εργαλεία αυτά έχουν διπλή μόνωση και κατά συνέπεια, μπορούν να συνδεθούν σε ακροδέκτες χωρίς σύρμα γείωσης.

GEA010-1

Γενικές προειδοποιήσεις ασφαλείας για το ηλεκτρικό εργαλείο

⚠ ΠΡΟΕΙΔΟΠΟΙΗΣΗ Διαβάστε όλες τις προειδοποιήσεις ασφαλείας και όλες τις οδηγίες. Η μη τήρηση των προειδοποιήσεων και οδηγιών ενδέχεται να καταλήξει σε ηλεκτροπληξία, πυρκαγιά ή/και σοβαρό τραυματισμό.

Φυλάξτε όλες τις προειδοποιήσεις και τις οδηγίες για μελλοντική παραπομπή.

5. **Να χρησιμοποιείτε πάντα φλάντζες (πατούρες) δίσκων που δεν έχουν υποστεί ζημιά και είναι κατάλληλης διαμέτρου για τον επιλεγμένο δίσκο.** Οι κατάλληλες φλάντζες (πατούρες) δίσκων υποστηρίζουν τους δίσκους και μειώνουν επομένως την πιθανότητα θραύσης τους.
 6. **Η εξωτερική διάμετρος και το πάχος του εξαρτήματός σας πρέπει να είναι μέσα στα όρια ικανότητας του εργαλείου σας.** Εξαρτήματα μη σωστού μεγέθους δεν μπορούν να προφυλαχθούν ή να ελεγχθούν επαρκώς.
 7. **Το μέγεθος της οπής προσαρμογής σε άξονα των δίσκων και των φλαντζών (πατούρες) πρέπει να ταιριάζει απόλυτα στον άξονα μετάδοσης κίνησης του ηλεκτρικού εργαλείου.** Δίσκοι και φλάντζες με οπές προσαρμογής οι οποίες δεν ταιριάζουν απολύτως στο εξάρτημα στερέωσης του ηλεκτρικού εργαλείου θα παρουσιάσουν υποβαθμισμένη ζυγοστάθμιση και υπερβολικούς κραδασμούς, ενδεχομένως και απώλεια ελέγχου.
 8. **Μη χρησιμοποιείτε δίσκους που έχουν υποστεί ζημιά.** Πριν από κάθε χρήση, επιθεωρήστε τους δίσκους για τεμαχίδια που λείπουν και ρωγμές. Σε περίπτωση πτώσης του ηλεκτρικού εργαλείου ή του δίσκου, επιθεωρήστε για τυχόν ζημιά ή τοποθετήστε ένα δίσκο που δεν έχει υποστεί ζημιά. Μετά από τον έλεγχο και την τοποθέτηση του δίσκου, σταθείτε σεείς και οι παρευρισκόμενοι σε κατάλληλη θέση μακριά από το επίπεδο περιστροφής του δίσκου και αφήστε το ηλεκτρικό εργαλείο σε λειτουργία στη μέγιστη ταχύτητα περιστροφής χωρίς φορτίο, για ένα λεπτό. Συνήθως, οι δίσκοι που έχουν υποστεί ζημιά διαλύονται, εντός του συγκεκριμένου χρόνου δοκιμής.
 9. **Να φοράτε ατομικό εξοπλισμό προστασίας.** Ανάλογα με την εφαρμογή, να χρησιμοποιείτε προστατευτικά γυαλιά-προστασίας, προστατευτικά γυαλιά-προσωπίδες ή γυαλιά προστασίας. Όταν απαιτείται, να φοράτε μάσκα σκόνης, προστατευτικά ακοής, γάντια και ποδιά συνεργείου ικανά να παρέχουν προστασία από τα εκτινασσόμενα μικρά θραύσματα του λειαντικού μέσου ή του τεμαχίου εργασίας. Η προστασία ματιών πρέπει να είναι σε θέση να σταματάει ιπτάμενα σωματίδια παραγόμενα από διάφορες λειτουργίες. Η μάσκα σκόνης ή αναπνευστήρας πρέπει να είναι ικανή να φιλτράρει σωματίδια παραγόμενα από τις λειτουργίες σας. Παρατεταμένη έκθεση σε θόρυβο υψηλής συχνότητας μπορεί να προκαλέσει απώλεια ακοής.
 10. **Φροντίστε ώστε οι παρευρισκόμενοι να βρίσκονται σε ασφαλή απόσταση από τη θέση εργασίας.** Οποιοσδήποτε εισέρχεται στο χώρο εργασίας πρέπει να φορά εξοπλισμό ατομικής προστασίας. Θραύσματα του τεμαχίου εργασίας ή ενός δίσκου που έχει υποστεί θραύση ενδέχεται να εκτιναχθούν και να προκαλέσουν τραυματισμό πέραν των ορίων του άμεσου χώρου εκτέλεσης εργασιών.
 11. **Να κρατάτε το ηλεκτρικό εργαλείο μόνο από τις μονωμένες λαβές κατά την εκτέλεση εργασίας όπου το εξάρτημα κοπής ενδέχεται να λάθει σε επαφή με κρυμμένα καλώδια ή με το δικό του καλώδιο τροφοδοσίας.** Σε περίπτωση επαφής του εξαρτήματος κοπής με ηλεκτροφόρο καλώδιο, μπορεί τα εκτεθειμένα μεταλλικά εξαρτήματα του ηλεκτρικού εργαλείου να καταστούν τα ίδια ηλεκτροφόρα και να προκαλέσουν ηλεκτροπληξία στο χειριστή.
 12. **Τοποθετήστε το καλώδιο τροφοδοσίας μακριά από το περιστρεφόμενο εξάρτημα.** Εάν χάσετε τον έλεγχο, το καλώδιο τροφοδοσίας ενδέχεται να κοπεί ή να εμπλακεί και το χέρι ή ο βραχίονάς σας ενδέχεται να τραβηχτεί προς τον περιστρεφόμενο δίσκο.
 13. **Μην αφήνετε το ηλεκτρικό καλώδιο κάτω, πριν σταματήσετε πλήρως η περιστροφή του εξαρτήματος.** Ο περιστρεφόμενος δίσκος ενδέχεται να εμπλακεί στην επιφάνεια εργασίας και να τραβήξει το ηλεκτρικό εργαλείο εκτός ελέγχου.
 14. **Μη χειρίζεστε το ηλεκτρικό εργαλείο ενώ το μεταφέρετε στο πλευρό σας.** Τυχαια επαφή με το περιστρεφόμενο εξάρτημα μπορεί να προκαλέσει πιάσιμο στα ρούχα σας και να τραβήξει το εξάρτημα μέσα στο σώμα σας.
 15. **Καθαρίζετε τακτικά τις οπές αερισμού του ηλεκτρικού εργαλείου.** Ο ανεμιστήρας του κινητήρα θα ταβήξει την σκόνη μέσα στο περίβλημα και υπερβολική συγκέντρωση ρινισμάτων μετάλλου μπορεί να προκαλέσει κίνδυνο ηλεκτροπληξίας.
 16. **Μη χειρίζεστε το ηλεκτρικό εργαλείο κοντά σε εύφλεκτα υλικά.** Σπινθήρες μπορεί να αναφλέξουν τα υλικά αυτά.
 17. **Μη χρησιμοποιείτε εξαρτήματα που χρειάζονται ψυκτικά υγρά.** Η χρήση νερού ή άλλων ψυκτικών υγρών μπορεί να προκαλέσουν ηλεκτροπληξία ή σοκ.
- Οπισθοθάκτισμα και σχετικές προειδοποιήσεις**
- Η ανάκρουση είναι μια ξαφνική αντίδραση του εργαλείου λόγω σύσφιξης ή σκαλώματος του περιστρεφόμενου δίσκου. Η σύσφιξη ή το σκάλωμα προκαλεί ταχεία απώλεια ελέγχου του περιστρεφόμενου δίσκου ο οποίος στη συνέχεια υποχρεώνει το ανεξέλεγκτο ηλεκτρικό εργαλείο σε περιστροφή προς την αντίθετη κατεύθυνση από εκείνη του δίσκου στο σημείο εμπλοκής. Για παράδειγμα, εάν ένας λειαντικός τροχός περιέλθει σε σύσφιξη ή σκάλωμα στο τεμάχιο εργασίας, η ακμή του τροχού που εισέρχεται στο σημείο σύσφιξης ενδέχεται να σκάσει την επιφάνεια του υλικού προκαλώντας την αναπήδηση ή το κλότσημα του τροχού. Ο τροχός ενδέχεται να αναπηδήσει προς το μέρος του χειριστή ή αντίθετα να απομακρυνθεί από αυτόν, ανάλογα με τη φορά περιστροφής του τροχού στο σημείο σύσφιξης. Υπό αυτές τις συνθήκες, οι τροχοί λείανσης ενδέχεται επίσης να υποστούν θραύση.
- Το οπισθοθάκτισμα είναι αποτέλεσμα κακής χρήσης του ηλεκτρικού εργαλείου ή/και εσφαλμένων χειρισμών ή συνθηκών και μπορεί να αποφευχθεί με τις κατάλληλες προφυλάξεις όπως δίδονται παρακάτω.

- a) Κρατάτε σταθερά το ηλεκτρικό εργαλείο και τοποθετήστε το σώμα σας και τον βραχίονα έτσι ώστε να ανθίστανται στις δυνάμεις του οπισθολακτίσματος. Πάντοτε χρησιμοποιείτε την βοηθητική λαβή, εάν παρέχεται για μέγιστο έλεγχο οπισθολακτίσματος ή αντίδρασης ροπής κατά το ξεκίνημα. Ο χειριστής μπορεί να ελέγχει τις αντιδράσεις ροπής ή δυνάμεις οπισθολακτίσματος, εάν έχουν ληφθεί οι κατάλληλες προφυλάξεις.
- b) Ποτέ μη βάλετε το χέρι σας κοντά στο περιστρεφόμενο εξάρτημα. Το εξάρτημα μπορεί να οπισθολακτίσει στο χέρι σας.
- c) Μην ευθυγραμμίζετε το σώμα σας με τον περιστρεφόμενο τροχό. Το οπισθολακτίσμα θα οδηγήσει το εργαλείο σε διέυθυνση αντίθετη της κίνησης του τροχού στο σημείο εμπλοκής.
- d) Χρησιμοποιείτε πολύ προσοχή όταν εργάζεστε σε γωνίες, αιχμηρές άκρες κλπ. Αποφεύγετε αναπηδήσεις και εμπλοκές του εξαρτήματος. Γωνίες, αιχμηρές άκρες ή αναπηδήσεις έχουν την τάση να προκαλούν εμπλοκή στο περιστρεφόμενο εξάρτημα και προκαλούν απώλεια ελέγχου και οπισθολακτίσμα.
- e) Μην προσαρμόζετε αλυσίδα πριονιού, λεπίδα ξυλογλυπτικής, τμηματικό διαμαντοτροχό με περιφερειακό κενό μεγαλύτερο από 10 χιλ ή οδοντωτή λεπίδα πριονιού. Τέτοιες λάμες προκαλούν συχνό οπισθολακτίσμα και απώλεια ελέγχου.
- f) Μην προκαλείτε “μάγκωμα” του τροχού και μην ασκείτε υπερβολική πίεση. Μην επιχειρείτε να δημιουργήσετε τομή υπερβολικού βάθους. Η άσκηση υπερβολικής δύναμης στον τροχό αυξάνει το φορτίο και τη δεκτικότητα σε συστροφή ή εμπλοκή του τροχού εντός της τομής και την πιθανότητα κλοσήματος θραύσης του τροχού.
- g) Σε περίπτωση εμπλοκής του τροχού ή διακοπής της εργασίας για τη δημιουργία τομής για οποιοδήποτε λόγο, απενεργοποιήστε το ηλεκτρικό εργαλείο και κρατήστε το ακίνητο, έως ότου ο τροχός ακινητοποιηθεί πλήρως. Μην επιχειρήσετε ποτέ να αφαιρέσετε το δίσκο από την τομή, ενώ ο δίσκος κινείται, διότι ενδέχεται να παρουσιαστεί ανάκρουση. Ερευνήστε και λάβετε διορθωτικά μέτρα ώστε να εξλειφθεί η αιτία εμπλοκής του τροχού.
- h) Μην επαναλάβετε την εργασία κοπής στο τεμάχιο εργασίας. Αφήστε τον τροχό να αποκτήσει μέγιστη ταχύτητα και επανεισάγετε τον τροχό στην τομή με προσοχή. Ο τροχός ενδέχεται να παρουσιάσει εμπλοκή, αναπήδηση ή ανάκρουση εάν ενεργοποιήσετε το ηλεκτρικό εργαλείο εντός του τεμαχίου εργασίας.
- i) Να στηρίζετε τα φατνώματα ή οποιοδήποτε υπερμέγεθες τεμάχιο εργασίας ώστε να ελαχιστοποιηθεί ο κίνδυνος σύσφιξης και ανάκρουσης (οπισθολακτίσμα) του τροχού. Τα μεγάλα τεμάχια εργασίας τείνουν να παρουσιάζουν κάμψη προς τα κάτω λόγω του βάρους τους. Πρέπει να τοποθετούνται υποστηρίγματα κάτω από το τεμάχιο εργασίας κοντά στη γραμμική κοπή και κοντά στο άκρο του τεμαχίου εργασίας σε αμφοτέρως τις πλευρές του τροχού.
- j) Να είστε ιδιαίτερα προσεκτικοί όταν δημιουργείτε μία “τομή-κοιλότητα” σε υπάρχοντες τοίχους ή άλλες τυφλές περιοχές. Ο προεξέχων τροχός ενδέχεται να κόψει σωλήνες αερίου ή ύδρευσης, ηλεκτρικές καλωδιώσεις ή αντικείμενα που μπορούν να προκαλέσουν ανάκρουση (οπισθολακτίσμα).
18. Πριν χρησιμοποιήσετε τμηματικό διαμαντοτροχό, βεβαιωθείτε ότι ο διαμαντοτροχός έχει περιφερειακό κενό μεταξύ των τμημάτων ίσο με 10 χιλ ή μικρότερο, μόνο με αρνητική γωνία κοπής.

Επιπλέον προειδοποιήσεις ασφαλείας:

19. Μην επιχειρήσετε ποτέ να κόψετε με το εργαλείο στερεωμένο ανάποδα σε μια μέγερη. Αυτό μπορεί να προκαλέσει σοβαρά ατυχήματα επειδή είναι εξαιρετικά επικίνδυνο.
20. Μερικά υλικά περιέχουν χημικά που μπορεί να είναι τοξικά. Προσέχετε ώστε να αποφεύγετε την εισπνοή σκόνης και την επαφή με το δέρμα. Ακολουθείτε τα δεδομένα ασφάλειας υλικού που παρέχονται από τον προμηθευτή.
21. Αποθηκεύστε τους δίσκους σύμφωνα με τις συστάσεις του κατασκευαστή. Η λανθασμένη αποθήκευση μπορεί να προκαλέσει ζημιά στους δίσκους.

ΦΥΛΑΞΤΕ ΤΙΣ ΟΔΗΓΙΕΣ ΑΥΤΕΣ.

⚠️ ΠΡΟΕΙΔΟΠΟΙΗΣΗ:

ΜΗΝ επιτρέψετε το βαθμό άνεσης ή εξοικείωσης με το προϊόν (λόγω επανειλημμένης χρήσης) να αντικαταστήσει την αυστηρή τήρηση των κανόνων ασφαλείας του παρόντος εργαλείου. ΚΑΚΗ ΧΡΗΣΗ ή αμέλεια να ακολουθήσετε τους κανόνες ασφαλείας που διατυπώνονται σ' αυτό το εγχειρίδιο οδηγίων μπορεί να προκαλέσει σοβαρό προσωπικό τραυματισμό.

ΛΕΙΤΟΥΡΓΙΚΗ ΠΕΡΙΓΡΑΦΗ

⚠️ ΠΡΟΣΟΧΗ:

• Πάντοτε βεβαιώνετε ότι το εργαλείο είναι σβηστό και αποσυνδεδεμένο πριν ρυθμίσετε ή ελέγξετε κάποια λειτουργία στο εργαλείο.

Κλείδωμα άξονας (Εικ. 1)

⚠️ ΠΡΟΣΟΧΗ:

• Ποτέ μην ενεργοποιείτε το κλείδωμα άξονα όταν κινείται η άτρακτος. Μπορεί να προκληθεί βλάβη στο εργαλείο.

Πιέστε το κλείδωμα άξονα για να εμποδίσετε την περιστροφή της άτρακτου όταν τοποθετείτε ή αφαιρείτε εξάρτηματα.

Σκόπηση (Εικ. 2)

Υπάρχουν εγκοπές μπροστά και πίσω από τη βάση. Αυτό βοηθάει τον χειριστή να ακολουθηθεί μια ευθεία γραμμή κοπής.

Ρύθμιση του βάθους αυλάκωσης (Εικ. 3)

Το βάθος αυλάκωσης μπορεί να ρυθμιστεί μεταξύ 0 χιλ και 30 χιλ.

Χαλαρώστε τη βίδα σύσφιξης και ρυθμίστε το δείκτη στην επιθυμητή διαβάθμιση βάθους στην κλίμακα.

Μετά, σφίξτε καλά τη βίδα σύσφιξης.

Λειτουργία διακόπτη (Εικ. 4)

⚠ ΠΡΟΣΟΧΗ:

• Πριν από τη σύνδεση του εργαλείου στην παροχή τροφοδοσίας, να ελέγχετε πάντα ότι η σκανδάλη διακόπτης ενεργοποιεί το εργαλείο κανονικά κι επιστρέφει στη θέση "OFF" όταν ελευθερώνεται.

Για εργαλείο με κουμπί ασφάλισης

⚠ ΠΡΟΣΟΧΗ:

• Ο διακόπτης μπορεί να ασφαλιστεί στη θέση "ON" προς διευκόλυνση του χειριστή στη διάρκεια παρατεταμένης χρήσης. Να είστε προσεκτικοί όταν ασφαλίσετε το εργαλείο στη θέση "ON" και να κρατάτε το εργαλείο σταθερά.

Για να ξεκινήσετε το εργαλείο, απλώς τραβήξτε τη σκανδάλη διακόπτη. Ελευθερώστε την σκανδάλη διακόπτη για να σταματήσει.

Για συνεχόμενη λειτουργία, πατήστε τη σκανδάλη διακόπτη, πατήστε το κουμπί ασφάλισης και μετά αφήστε τη σκανδάλη διακόπτη.

Για να σταματήσετε το εργαλείο από την κλειδωμένη θέση, τραβήξτε πλήρως τη σκανδάλη διακόπτη και κατόπιν αφήστε την.

Για εργαλείο με κουμπί κλειδώματος

⚠ ΠΡΟΣΟΧΗ:

• Μην τραβήξετε τη σκανδάλη δυνατά χωρίς να πατήσετε το κουμπί κλειδώματος. Μπορεί να σπάσει ο διακόπτης.

Για να μην πιεστεί κατά λάθος η σκανδάλη, παρέχεται ένα κουμπί κλειδώματος.

Για να ξεκινήσετε τη λειτουργία του εργαλείου, πατήστε το κουμπί κλειδώματος και πατήστε τη σκανδάλη. Ελευθερώστε την σκανδάλη διακόπτη για να σταματήσει.

Για εργαλείο χωρίς κουμπί ασφάλισης / κουμπί κλειδώματος

Για να ξεκινήσετε το εργαλείο, απλώς τραβήξτε τη σκανδάλη διακόπτη. Ελευθερώστε την σκανδάλη διακόπτη για να σταματήσει.

Ηλεκτρονική λειτουργία

Τα εργαλεία που είναι εξοπλισμένα με ηλεκτρονική λειτουργία είναι εύκολα στη χρήση λόγω των ακόλουθων χαρακτηριστικών.

Ρύθμιση σταθερής ταχύτητας

Ηλεκτρονική ρύθμιση ταχύτητας για επίτευξη σταθερής ταχύτητας. Μπορείτε να έχετε ένα κομψό αποτέλεσμα επειδή η ταχύτητα περιστροφής διατηρείται σταθερή ακόμα κι όταν το εργαλείο υποβάλλεται σε φόρτο.

Ομαλή εκκίνηση

Το χαρακτηριστικό ομαλής εκκίνησης ελαχιστοποιεί τον κραδασμό κατά την εκκίνηση και καθιστά την εκκίνηση του εργαλείου ομαλή.

Προστατευτικό υπερφόρτωσης

Όταν το εργαλείο χρησιμοποιηθεί πάνω από το επιτρεπτό φορτίο, θα διακοπεί αυτόματα η λειτουργία του για να προστατευτεί το μωτέρ και ο δίσκος. Όταν το φορτίο επιστρέψει στο επιτρεπτό επίπεδο, το εργαλείο μπορεί να εκκινήσει αυτόματα.

ΣΥΝΑΡΜΟΛΟΓΗΣΗ

⚠ ΠΡΟΣΟΧΗ:

• Πάντοτε βεβαιώνετε ότι το εργαλείο είναι σβηστό και αποσυνδεδεμένο από το ρεύμα πριν εκτελέσετε οποιαδήποτε εργασία στο εργαλείο.

Αφαίρεση των διαμαντοτροχών (Εικ. 5, 6 και 7)

Χαλαρώστε και αφαιρέστε το μπουλόνι με το εξαγωνικό κλειδί.

Ανοίξτε τη θήκη λεπίδας ενώ κρατάτε τη βάση εργαλείου.

ΠΑΡΑΤΗΡΗΣΗ:

• Η βάση εργαλείου θα ανοίξει λόγω της δύναμης ελατηρίου.

Περιστρέψτε τους διαμαντοτροχούς ενώ πατάτε το κλειδί αζόνα μέχρι να δεσμευτεί.

Αφαιρέστε το παξιμάδι ασφάλισης περιστρέφοντάς το αριστερόστροφα με το κλειδί παξιμαδιού ασφάλισης.

Αφαιρέστε τους διαμαντοτροχούς και δακτυλίους αποστατών.

Ρύθμιση του πλάτους εγκοπής (η απόσταση

μεταξύ των δύο διαμαντοτροχών)

Ρυθμίστε το πλάτος εγκοπής αλλάζοντας τον αριθμό των δακτυλίων αποστατών όπως παρουσιάζεται στον πίνακα. (Εικ. 8)

Τοποθέτηση των διαμαντοτροχών (Εικ. 9 και 10)

Στερώστε το διαμαντοτροχό προσεκτικά πάνω στην άτρακτο.

Ευθυγραμμίστε τις κατευθύνσεις του βέλους στο διαμαντοτροχό και στο εργαλείο. Τοποθετήστε δακτυλίους αποστατές, τον άλλο διαμαντοτροχό και το παξιμάδι ασφάλισης.

Σφίξτε το παξιμάδι ασφάλισης καλά και δεξιόστροφα με το κλειδί παξιμαδιού ασφάλισης ενώ πατάτε το κλειδί αζόνα.

Επιστρέψτε τη θήκη λεπίδας και τη βάση εργαλείου στην αρχική θέση και σφίξτε το μπουλόνι για να τις ασφαλίσετε.

Ρύθμιση της γωνίας μπροστινής λαβής (Εικ. 11)

Χαλαρώστε τα δύο μπουλόνια και στις δύο πλευρές της μπροστινής λαβής με το εξαγωνικό κλειδί. Μετακινήστε την μπροστινή λαβή στην επιθυμητή γωνία και σφίξτε καλά τα δύο μπουλόνια.

ΠΑΡΑΤΗΡΗΣΗ:

• Όταν η λαβή δεν μπορεί να μετακινηθεί εύκολα, χαλαρώστε τα μπουλόνια περαιτέρω.

Μετατόπιση της μπροστινής λαβής στο πλάι

(Εικ. 12)

Αφαιρέστε τα δύο μπουλόνια και στις δύο πλευρές της μπροστινής λαβής με το εξαγωνικό κλειδί. Αλλάξτε τη θέση της έκκεντρο.

Εισαγάγετε το μακρύτερο μπουλόνι στην πλευρά που είναι πιο κοντά στο έκκεντρο και το κοντύτερο μπουλόνι στην αντίθετη πλευρά. Σφίξτε καλά τα δύο μπουλόνια.

Σύνδεση με ηλεκτρική σκούπα (Εικ. 13)

Όταν χρησιμοποιείτε συλλέκτη σκόνης της Makita, συνδέστε τον εκκαμπτο σωλήνα για τη ηλεκτρική σκούπα απευθείας στο ακροφύσιο σκόνης.

ΠΑΡΑΤΗΡΗΣΗ:

- Το ακροφύσιο σκόνης μπορεί να περιστραφεί ελεύθερα ώστε να μπορείτε να το χρησιμοποιείτε υπό οποιαδήποτε γωνία, ανάλογα με την εργασία σας.

Αποθήκευση εξαγωνικού κλειδιού (Εικ. 14)

Όταν δεν χρησιμοποιείται, αποθηκεύστε το εξαγωνικό κλειδί για να μην το χάσετε.

ΛΕΙΤΟΥΡΓΙΑ

⚠ ΠΡΟΣΟΧΗ:

- Βεβαιωθείτε να τραβάτε το εργαλείο όταν κόβετε ένα τεμάχιο εργασίας.
- Χρησιμοποιήστε αυτό το εργαλείο για κοπή ευθειών γραμμών μόνο. Η κοπή καμπύλων μπορεί να προκαλέσει ρωγμές και θρυμματισμό των διαμαντοτροχών λόγω καταπόνησης, γεγονός που έχει ως αποτέλεσμα πιθανό τραυματισμό σε άτομα που βρίσκονται στην κοντινή περιοχή.
- Μετά τη λειτουργία, πάντοτε να σβήνετε το εργαλείο και να περιμένετε μέχρι οι διαμαντοτροχοί να σταματήσουν τελείως πριν αφήσετε κάτω το εργαλείο.
- Όταν χειρίζεστε το εργαλείο, να το κρατάτε σταθερά με το ένα χέρι στη λαβή διακόπτη και το άλλο χέρι στην μπροστινή λαβή.

Κρατήστε το εργαλείο σταθερά με τα δύο χέρια. Πρώτα διατηρήστε τους διαμαντοτροχούς χωρίς να έρθουν σε επαφή με το τεμάχιο εργασίας. Στη συνέχεια, ενεργοποιήστε το εργαλείο και περιμένετε μέχρι οι διαμαντοτροχοί να αποκτήσουν πλήρη ταχύτητα. (Εικ. 15)

Για να κόψετε ένα τεμάχιο εργασίας, τραβήξτε το εργαλείο προς το μέρος σας (όχι σπρώχνοντάς το μακριά από εσάς). Ευθυγραμμίστε την εγκοπή στη βάση με τη γραμμή κοπής. Σπρώξτε κάτω την μπροστινή λαβή απαλά μέχρι να σταματήσει και, στη συνέχεια, τραβήξτε το εργαλείο αργά. (Εικ. 16)

Πριν τελειώσετε την εργασία κοπής και σηκώσετε το εργαλείο, πρώτα απενεργοποιήστε το. Περιμένετε μέχρι οι διαμαντοτροχοί να σταματήσουν τελείως και μετά σηκώστε το εργαλείο.

Αφαιρέστε το υπόλοιπο τμήμα μεταξύ των δύο διόδων λεπίδων με άλλα κατάλληλα εργαλεία.

ΣΥΝΤΗΡΗΣΗ

⚠ ΠΡΟΣΟΧΗ:

- Πάντοτε βεβαιώστε ότι το εργαλείο είναι σβηστό και αποσυνδεδεμένο πριν επιχειρήσετε να εκτελέσετε επιθεώρηση ή συντήρηση.
- Μην χρησιμοποιείτε ποτέ βενζίνη, πετρελαϊκό αιθέρα, διαλυτικό, αλκοόλη ή παρόμοιες ουσίες. Ενδέχεται να προκαληθεί αποχρωματισμός, παραμόρφωση ή ρωγμές.

Το εργαλείο και οι αεραγωγοί του πρέπει να διατηρούνται καθαρά. Καθαρίζετε τακτικά τους αεραγωγούς του εργαλείου ή όταν οι αεραγωγοί αρχίζουν να ρυπαίνονται. (Εικ. 17)

Επεξεργασία διαμαντένιου τροχού

Εάν η ικανότητα κοπής του διαμαντένιου τροχού αρχίζει να μειώνεται, χρησιμοποιείτε ένα παλιό άχρηστο λειαντικό τροχό πάγκου άγριο αμμόλιθο ή ένα κυβόλιθο σκυροδέματος να επεξεργαστείτε τον διαμαντένιο τροχό. Για να το κάνετε αυτό, ασφαλίστε σφιχτά τον λειαντικό τροχό πάγκου ή τον κυβόλιθο σκυροδέματος και κόψτε μέσα στο υλικό.

Για να διατηρήσετε την ΑΣΦΑΛΕΙΑ και ΑΞΙΟΠΙΣΤΙΑ του προϊόντος, επισκευές, έλεγχος και αντικατάσταση των ψηκτρών άνθρακα, καθώς και οποιαδήποτε άλλη συντήρηση ή ρύθμιση πρέπει να εκτελούνται από κέντρα εξυπηρέτησης εργοστασίου ή από εξουσιοδοτημένα από την Makita κέντρα, πάντοτε χρησιμοποιώντας ανταλλακτικά της Makita.

ΠΡΟΑΙΡΕΤΙΚΑ ΕΞΑΡΤΗΜΑΤΑ

⚠ ΠΡΟΣΟΧΗ:

- Αυτά τα ανταλλακτικά ή προσαρτήματα συνιστώνται για χρήση με το εργαλείο σας της Makita που περιγράφεται στο εγχειρίδιο αυτό. Η χρήση οτιδήποτε άλλων ανταλλακτικών ή προσαρτημάτων μπορεί να παρουσιάσουν κίνδυνο τραυματισμού σε άτομα.

Εάν χρειάζεστε βοήθεια ή περισσότερες λεπτομέρειες σε σχέση με αυτά τα ανταλλακτικά, ρωτήστε το τοπικό σας κέντρο εξυπηρέτησης της Makita.

- Διαμαντένιοι τροχοί

ΠΑΡΑΤΗΡΗΣΗ:

- Μερικά στοιχεία στη λίστα μπορεί να συμπεριλαμβάνονται στη συσκευασία εργαλείου ως στάνταρ εξαρτήματα. Μπορεί να διαφέρουν ανάλογα με τη χώρα.

ENG905-1

Θόρυβος

Το τυπικό A επίπεδο μετρημένου θορύβου καθορίζεται σύμφωνα με το EN60745:

Επίπεδο πίεσης θορύβου (L_{pA}): 97 dB (A)

Επίπεδο δύναμης ήχου (L_{WA}): 108 dB (A)

Αβεβαιότητα (K): 3 dB (A)

Φοράτε ωτοασπίδες

ENG900-1

Κραδασμός

Η ολική τιμή δόνησης (άθροισμα τρι-αξονικού διανύσματος) καθορίζεται σύμφωνα με το EN60745:

Είδος εργασίας: κοπή σε σιμέντο

Εκπομπή δόνησης (a_{h1}): 5,0 m/s²

Αβεβαιότητα (K): 1,5 m/s²

ENG901-1

- Η δηλωμένη τιμή εκπομπής κραδασμών έχει μετρηθεί σύμφωνα με την πρότυπη μέθοδο δοκιμής και μπορεί να χρησιμοποιηθεί για τη σύγκριση ενός εργαλείου με άλλο.
- Η δηλωμένη τιμή εκπομπής κραδασμών μπορεί να χρησιμοποιηθεί και στην προκαταρκτική αξιολόγηση έκθεσης.

⚠ ΠΡΟΕΙΔΟΠΟΙΗΣΗ:

- Η εκπομπή κραδασμών κατά τη χρήση του ηλεκτρικού εργαλείου σε πραγματικές συνθήκες μπορεί να διαφέρει από τη δηλωμένη τιμή εκπομπής ανάλογα με τον τρόπο χρήσης του εργαλείου.
- Φροντίστε να λάβετε τα κατάλληλα μέτρα προστασίας του χειριστή βάσει υπολογισμού της έκθεσης σε πραγματικές συνθήκες χρήσης (λαμβάνοντας υπόψη όλες τις συνιστώσες του κύκλου λειτουργίας όπως τους χρόνους που το εργαλείο είναι εκτός λειτουργίας και όταν βρίσκεται σε αδρανή λειτουργία πέραν του χρόνου ενεργοποίησης).

ENH101-18

Μόνο για χώρες της Ευρώπης

Δήλωση Συμμόρφωσης ΕΚ

Η Makita δηλώνει ότι τα ακόλουθα μηχανήματα:

Χαρακτηρισμός μηχανήματος:

Αυλακωτής τοίχων

Αρ. μοντέλου/ Τύπος: SG1251

Συμμορφώνονται με τις ακόλουθες Ευρωπαϊκές Οδηγίες:

2006/42/EK

Κατασκευάζονται σύμφωνα με τα ακόλουθα πρότυπα ή έγγραφα τυποποίησης:

EN60745

Το αρχείο τεχνικών στοιχείων, σύμφωνα με την Οδηγία 2006/42/EK, διατίθεται από:

Makita, Jan-Baptist Vinkstraat 2, 3070, Βέλγιο

7.2.2014



Yasushi Fukaya

Διευθυντής

Makita, Jan-Baptist Vinkstraat 2, 3070, Βέλγιο

Genel görünüşün açıklanması

1 Şaft kilidi	9 Alet tabanı	18 Cıvata (Uzun)
2 Kertik	10 Kilit somunu	19 Toz ağızlığı
3 Ölçek	11 Kilit somunu anahtar	20 Elektrikli süpürge
4 Sıkma vidası	12 Elmas disk	21 Hortum
5 Anahtar tetik	13 Ara halkası 6 (6 mm kalın)	22 Altıgen anahtar
6 Kilitleme düğmesi/Güvenlik kilidi düğmesi	14 Ara halkası 3 (3 mm kalın)	23 Hava alma deliği
7 Cıvata	15 Ön sap	24 Hava çıkış deliği
8 Bıçak mahfazası	16 Cıvata (Kısa)	
	17 Kam	

ÖZELLİKLER

Model	SG1251
Çark çapı	125 mm
Maks. disk kalınlığı	2,1 mm
Nominal hız	10.000 dak ⁻¹
Mil dişi	M14
Toplam uzunluk	350 mm
Net ağırlık	4,5 kg
Güvenlik sınıfı	□/II

• Sürekli yapılan araştırma ve geliştirmelerden dolayı, burada belirtilen özellikler önceden bildirilmeksizin değişebilir.

- Özellikler ülkeden ülkeye değişebilir.
- EPTA-Prosedürü 01/2003 uyarınca ağırlık

GEB112-6

Kullanım amacı

Bu alet bir elmas diskle, su kullanmadan beton duvarlarda yollar açma veya demir malzemeler ya da beton drenaj kanallarında oyuklar açma amacıyla kullanılmak için tasarlanmıştır.

END026-1

Güç kaynağı

Makinenin, yalnızca isim levhasında belirtilenle aynı voltajlı güç kaynağına bağlanması gerekir ve yalnızca tek fazlı AC güç kaynağıyla çalıştırılabilir. Çifte yalıtımlıdır ve topraklaması prizlerle de kullanılabilir.

ENF002-2

Genel Elektrikli Alet Güvenliği

⚠ UYARI! Tüm güvenlik uyarılarını ve tüm talimatları okuyun. Uyarılara ve talimatlara uyulmaması elektrik şoku, yangın ve/veya ciddi yaralanmalar ile sonuçlanabilir.

Tüm uyarıları ve talimatları ileride başvurmak için saklayın.

GEA010-1

KANAL AÇMA GÜVENLİK UYARILARI

1. **Aletle birlikte sağlanan siper, elektrikli alete sıkıca sabitlenmeli ve operatörü çarktan olabildiğince korumak için en yüksek güvenliği sağlayacak şekilde konumlandırılmalıdır. Kendinizi ve etrafınızdaki diğer kişileri dönen çarkın düzleminden uzak tutun.** Siper, operatörü kırık çark parçalarından ve çarka istem dışı temas etmekten korur.
2. **Elektrikli aletiniz için sadece elmaslı kesme çarklarını kullanın.** Bir aksesuarın aletinize takılabiliyor olması güvenli kullanımın sağlanması için tek başına yeterli değildir.
3. **Aksesuarın anma hızı en azından elektrikli aletin üstünde belirtilen maksimum hıza eşit olmalıdır.** Anma hızlarından daha hızlı çalışan aksesuarlar kırılabilir ve fırlayabilirler.
4. **Çarklar sadece tavsiye edilen uygulamalar için kullanılmalıdır. Örneğin: Kesme çarkının yan tarafla taşlama yapmayın.** Aşındırıcı kesme diskleri periferik taşlama için tasarlanmıştır, bu çarklara yandan baskı uygulanması çatlamalarına neden olabilir.
5. **Seçtiğiniz çark için daima doğru çaptaki hasarsız çark flanşlarını kullanın.** Doğru çark flanşları çarkı destekleyerek çarkın kırılma ihtimalini düşürür.
6. **Aksesuarınızın dış çapı ve kalınlığı elektrikli aletinizin kapasite derecelendirmesi dahilinde olmalıdır.** Doğru boyutta olmayan aksesuarlar yeterince korunamayabilir ve kontrol edilemeyebilirler.

7. **Çarkların ve flanşların mil boyutu aletin içine uygun olmalıdır.** Aletin montaj donanımına uygun olmayan mil deliklerine sahip çark ve flanşlar dengeşiz çalışır, aşırı vibrasyon yapar ve kontrolden çıkabilir.
8. **Hasarlı çarkları kullanmayın. Her kullanımdan önce, çarklarda çatlak ve kırık olup olmadığını kontrol edin. Elektrikli alet ya da çark düşerse, hasar olup olmadığını kontrol edin veya hasarsız bir çarkla değiştirin. Kontrol edip çarkı taktuktan sonra kendinizi ve etrafınızdakileri dönen çarkın düzleminden uzak tutarak aleti yüksüz şekilde maksimum hızda bir dakika çalıştırın.** Normal şartlarda hasarlı çarklar bu test sırasında kırılır.
9. **Kişisel koruyucu donanım kullanın. Uygulamaya bağlı olarak yüz siperleri veya güvenlik gözlükleri kullanın. Uygun görüldüğü şekilde toz maskesi, kulak koruyucuları, eldiven ve taşlama taşlarından veya iş parçasından kopan küçük parçalardan sizi koruyabilecek iş önlüğü takın.** Göz koruyucuları çeşitli işlemlerin üreteceği uçan kırıntıları durdurabilecek nitelikte olmalıdır. Toz maskesi veya solunum cihazı yaptığınız işlemin üreteceği küçük parçacıkları süzebilecek nitelikte olmalıdır. Uzun süre yüksek yoğunlukta gürültüye maruz kalmak işitme kaybına neden olabilir.
10. **Etrafınızdaki kişilerin iş sahasından güvenli bir uzaklıkta durmasını sağlayın. İş sahasına giren herkes kişisel koruyucu ekipmanlar giymelidir.** İş parçasının veya kırık bir çarkın parçaları sıçrayabilir ve iş sahasının yakınındaki kişileri yaralayabilir.
11. **Kesici aksesuarın görünmeyen kabloları ya da aletin kendi kordonuna temas etme olasılığı bulunan yerlerde çalışırken elektrikli aletleri yalıtımlı kavrama yüzeylerinden tutun.** Kesici aksesuarın "akımlı" bir telle temas etmesi elektrikli aletin yalıtımsız metal kısımlarını "akımlı" hale getirebilir ve kullanıcıyı elektrik şokuna maruz bırakabilir.
12. **Kabloyu dönen aksesuardan uzağa yerleştirin.** Kontrolü kaybederseniz kablo kesilebilir, takılabilir ve eliniz ya da kolunuz dönen çarkın içine çekilebilir.
13. **Aksesuar tamamen durmadan elektrikli aleti asla yere bırakmayın.** Dönen çark yüzeye takılarak elektrikli aletin kontrolünüzden çıkmasına neden olabilir.
14. **Elektrikli aleti yanınızda taşırken çalıştırmayın.** Giysilerinizin kazayla döner aksesuara temas etmesi aksesuarı vücudunuza çekebilir.
15. **Elektrikli aletin havalandırma deliklerini düzenli olarak temizleyin.** Motorun fanı tozu gövdenin içine çeker ve aşırı toz metal birikimi elektrik tehlikelerine neden olabilir.
16. **Elektrikli aleti yanıcı malzemelerin yakınında kullanmayın.** Kıvılcımlar bu malzemeleri tutuşturabilir.
17. **Sıvı soğutucu gerektiren aksesuarlar kullanmayın.** Su veya diğer sıvı soğutucuların kullanılması elektrik çarpmasına veya şokuna neden olabilir.

Geri tepme ve ilgili uyarılar

Geri tepme, dönen çarkın sıkışması veya takılması sonucu oluşan ani bir reaksiyondur. Sıkışma veya takılma, dönen çarkın aniden durmasına, bu da elektrikli aletin gücünün kontrol edilemeyerek çarkın dönüş yönünün aksi istikamete zorlanmasına sebep olur.

Örneğin, eğer bir taşlama taşı iş parçasına takılır veya sıkışır, sıkışma noktasına giren taşın kenarı malzeme yüzeyine batarak, taşın dışarı tırmanmasına veya tepmesine neden olabilir. Taşlama taşı, sıkışma noktasında taşın hareket yönüne bağlı olarak operatöre veya ondan uzağa doğru sıçrayabilir. Bu koşullarda taşlama taşları kırılabilir de.

Geri tepme elektrikli aletin yanlış kullanılmasının ve/veya yanlış kullanım usulleri veya koşullarının bir sonucudur ve aşağıda belirtildiği gibi doğru önlemlerle önenebilir.

- a) **Elektrikli aleti daima sıcak kavrayın ve vücudunuzun ve kolunuzun duruşunu geri tepme kuvvetlerine direnç gösterecek şekilde ayarlayın. İlk çalıştırma sırasında geri tepme veya tork etkisi üzerinde maksimum kontrol sağlamak için, eğer varsa, daima yardımcı sapı kullanın.** Eğer doğru önlemler alınır, operatör tork etkilerini veya geri tepme kuvvetlerini kontrol edebilir.
- b) **Elinizi kesinlikle döner aksesuarın yakınına koymayın.** Aksesuar elinizin üstüne doğru geri tepebilir.
- c) **Vücudunuzu dönen çarkla aynı hizada tutmayın.** Geri tepme aleti takılma noktasında taşın hareketinin tersi yönde iter.
- d) **Köşelerde, keskin kenarlarda vb. çalışırken özel dikkat gösterin. Aksesuarın zıplamasından ve takılmasından kaçının.** Köşelerde, keskin kenarlarda veya zıplama halinde döner aksesuarın takılma eğilimi vardır ve kontrol kaybına veya geri tepmeye neden olur.
- e) **Zincir testere, oyma bıçağı, 10 mm'den fazla periferik boşluklu segmentli elmas kesme çarkı ya da dişli testere bıçağı takmayın.** Bu bıçaklar sıkça geri tepme ve kontrol kaybı yaratır.
- f) **Çarkı "sıkıştırmayın" ve aşırı basınç uygulamayın. Aşırı derin bir kesim yapmaya çalışmayın.** Çarka aşırı gerilim uygulamak yükü artıracığı gibi çarkın kesim sırasında bükülmesine ya da tutukluk yapmasına ve geri tepme ya da çarkın kırılma olasılığının artmasına neden olur.
- g) **Taş takıldığı veya herhangi bir nedenle kesmeyi durdurduğu zaman, elektrikli aleti kapatın ve taş tamamen duruncaya kadar onu hareketsiz şekilde tutun. Çark hareket halindeyken çarkı kesimden çıkarmaya asla çalışmayın, aksi takdirde geri tepme oluşabilir.** Taşın takılma nedenini araştırıp, ortadan kaldırmak için düzeltici işlemleri yapın.
- h) **İş parçasında kesme işlemine yeniden başlamayın. Taşın tam hız ulaşmasını bekleyin ve dikkatli şekilde tekrar kesişe geçirin.** Elektrikli alet iş parçası içinde tekrar çalıştırılırsa, taş takılabilir, yukarı tırmanabilir veya geri tepebilir.
- i) **Taşın takılması veya geri tepme riskini en aza indirmek için panelleri ve çok büyük iş parçalarını destekleyin.** Büyük iş parçaları kendi ağırlıkları altında bel vermeye meyillidirler. Destekler taşın her iki yanında kesme hattına ve iş parçasının kenarına yakın olarak, iş parçasının altına yerleştirilmelidirler.

- j) **Mevcut duvarların veya diğer kör alanların içine “oyuk kesme” yaparken daha fazla dikkat gösterin.** Fazla ileri giden taş gaz veya su borularını, elektrik kablolarını veya geri tepmeye neden olabilecek nesnelere kesilir.
18. **Segmentli elmas kesme çarkı kullanmadan önce, elmas çarkın segmentleri arasında sadece negatif bir talaş açısı ile 10 mm veya daha az periferik boşluk olduğundan emin olun.**

Ek güvenlik kuralları:

19. **Alele mendeneye ters olarak tutulmuş şekilde kesim yapmaya çalışmayın. Bu çok tehlikeli bir davranış olur ve ciddi kazalara yol açabilir.**
20. **Bazı malzemeler zehirli olabilen kimyasallar içerirler. Toz yutmaya ve cilt temasını önlemek için tedbir alın. Malzeme sağlayıcısının güvenlik bilgilerine uyun.**
21. **Diskleri üretici talimatlarına uygun olarak saklayın. Uygun şekilde saklamamak disklere zarar verebilir.**

BU TALİMATLARI SAKLAYIN.

⚠ UYARI:

Ürünü kullanırken (defalarca kullanınca kazanılan) rahatlık ve tanıdıklık duygusunun ilgili ürünün güvenlik kurallarına sıkı sıkıya bağlı kalmanıza yerine geçmesine İZİN VERMEYİN. YANLIŞ KULLANIM veya bu kullanma kılavuzunda belirtilen emniyet kurallarına uymama ciddi yaralanmaya neden olabilir.

İŞLEVSEL NİTELİKLER

⚠ DİKKAT:

• Aletin herhangi bir işlevinin ayarlanması ya da kontrol edilmesinden önce daima aletin kapalı ve fişinin çekilmiş olduğundan emin olun.

Şaft kilidi (Şek. 1)

⚠ DİKKAT:

• Mil hareket halindeyken şaft kilidini asla kullanmayın. Alet zarar görebilir.

Aksesuarları takarken veya çıkarırken milin dönmesini önlemek için şaft kilidine basın.

Yön verme (Şek. 2)

Tabanın önünde ve arkasında kertikler vardır. Bunlar kullanıcının düz bir kesme hattı izlemesine yardımcı olur.

Oyma derinliğinin ayarlanması (Şek. 3)

Oyma derinliği 0 ila 30 mm aralığında ayarlanabilir. Sıkma vidasını gevşetin ve gösterge kadran üzerinde istediğiniz derinlik ölçüsünü gösterecek şekilde ayarlayın. Sonra da sıkma vidasını iyice sıkın.

Anahtar işlemi (Şek. 4)

⚠ DİKKAT:

• Makinayı fişe takmadan önce, anahtar tetiğinin düzğün çalıştığını ve serbest bırakıldığında “OFF” (kapalı) pozisyonuna geldiğini kontrol edin.

Kilitleme düğmeli aletler için

⚠ DİKKAT:

• Uzun süreli kullanım sırasında kullanıcının rahatı için anahtar “ON” (açık) konumunda kilitlenebilir. Anahtar “ON” (açık) konumunda kilitliken dikkatli olun ve aleti sıkıca kavrayın.

Makinayı çalıştırmak için anahtar tetiği çekin. Durdurmak için anahtar tetiği bırakın.

Sürekli çalışma için, anahtar tetiği çekin, kilitleme düğmesini iterek kilitleyin ve ardından anahtar tetiği serbest bırakın.

Makinayı kilitli pozisyondan çıkarmak için, anahtar tetiği tamamen çekip sonra serbest bırakın.

Güvenlik kilidi düğmeli aletler için

⚠ DİKKAT:

• Güvenlik kilidi düğmesine basmadan anahtar tetiği sıkıca çekmeyin. Bu, anahtarın kırılmasına neden olabilir.

Anahtar tetiğin kaza sonucu çekilmesini önlemek için, bir güvenlik kilidi düğmesi sunulmuştur.

Aleti başlatmak için, güvenlik kilidi düğmesine bastırın ve anahtar tetiği çekin. Durdurmak için anahtar tetiği bırakın.

Kilitleme düğmesi / güvenlik kilidi düğmesi olmayan aletler için

Makinayı çalıştırmak için anahtar tetiği çekin. Durdurmak için anahtar tetiği bırakın.

Elektronik işlev

Elektronik işlevli aletlerin kullanımı aşağıda belirtilen özellikler nedeniyle daha kolaydır.

Sabit hız kontrolü

Sabit bir hız elde etmek için elektronik hız kontrolü. Yüksek hızda bile dönme hızı sabit kaldığı için iyi bir finiş elde etmek mümkün olur.

Yumuşak başlangıç

Yumuşak başlangıç özelliği başlangıç şokunu azaltarak aletin yumuşak bir biçimde dönmeye başlamasını sağlar.

Aşırı yük koruyucusu

Alet kabul edilebilir yükten daha fazla bir yükte çalıştırılırsa motor ve diskten korunması için otomatik olarak durdurulur. Yük yeniden kabul edilebilir düzeye inerse alet otomatik olarak çalıştırılabilir.

MONTAJ

⚠ DİKKAT:

• Alet üzerinde herhangi bir iş yapmadan önce aletin kapalı ve fişinin çekili olduğundan daima emin olun.

Elmas disklerin çıkarılması (Şek. 5, 6 ve 7)

Cıvayı altıgen anahtarla gevşetin ve çıkarın.

Alet tabanı tutarken bıçak mahfazasını açın.

NOT:

• Alet tabanı yay gücü ile bir darbeye açıılır.

Şaft kilidine bastırırken elmas disk yerine oturana kadar döndürün.

Kilit somununu, kilit somunu anahtarla ile saat yönünün tersi doğrultuda döndürerek çıkartın.

Elmas diskleri ve ara halkaları çıkarın.

Oluk genişliğini (iki elmas disk arasındaki mesafeyi) ayarlama

Aşağıdaki tabloda gösterildiği gibi ara halkalarının sayısını değiştirerek oyuğun genişliğini ayarlayın. (Şek. 8)

Elmas disklerin takılması (Şek. 9 ve 10)

Elmas disk dikkatlice milin üstüne geçirin.

Elmas diskin üstündeki okun yönünü aletinki ile hizalayın. Ara halkalarını, diğer elmas disk ve kilit somununu takın.

Şaft kilidine bastırırken kilit somununu kilit somunu anahtarı ile saat yönünde iyice sıkıştırın. Bıçak mahfazasını ve alet tabanını orijinal konumlarına getirin ve sabitlemek için civatayı sıkıştırın.

Ön sap açısının ayarlanması (Şek. 11)

Ön sapın her iki tarafındaki iki civatayı altıgen anahtarla gevşetin. Ön sapı istediğiniz açığa getirin ve iki civatayı iyice sıkılayın.

NOT:

- Sap kolay hareket ettirilemiyorsa civataları daha fazla gevşetin.

Ön sapı yanlara kaydırma (Şek. 12)

Ön sapın her iki tarafındaki iki civatayı altıgen anahtarla çıkarın. Kamin konumunu değiştirin.

Üzün civatayı kama yakın tarafa, daha kısa olan civatayı da onun karşısına takın. İki civatayı da iyice sıkın.

Elektrikli süpürge bağlanması (Şek. 13)

Makita toz toplayıcıyı kullanırken, elektrikli süpürge hortumunu doğrudan toz ağızlığına takın.

NOT:

- Toz ağızlığı yaptığımız işe göre herhangi bir açıda kullanabilemeniz için serbestçe dönebilir.

Altıgen anahtarın saklanması (Şek. 14)

Kullanılmadığı zamanlarda, kaybolmasını önlemek için altıgen anahtarı saklayın.

KULLANIM

⚠ DİKKAT:

- Bir iş parçasını keserken aleti mutlaka çekin.
- Bu aleti sadece düz kesimler için kullanın. Eğri kesme, elmas disklerde gerilim çatlaklarına ya da parçalanmaya neden olarak çevredeki insanların yaralanmasına yol açabilir.
- İşiniz bittikten sonra, aleti elinizden bırakmadan önce aleti daima kapatın ve elmas diskler tamamen duruncaya kadar bekleyin.
- Tek elinizle aletin anahtar kolundan sıkıca tutun ve diğer elinizle ön kavrama kolundan tutarak aleti kullanın.

Makinayı iki elle sıkıca tutun. Önce elmas disklerin bir iş parçasına temas etmesini önleyin. Sonra aleti çalıştırın ve elmas diskler tam hıza ulaşana kadar bekleyin. (Şek. 15)

Bir iş parçasını kesmek için, aleti (sizden uzağa iterek değil) size doğru yaklaşacak şekilde itin. Tabandaki kertiği kesme hattınızla hizalayın. Ön sapı durduğu yere kadar hafifçe aşağı doğru itin ve sonra aleti yavaşça çekin. (Şek. 16)

Kesme işlemini bitirip aleti kaldırmadan önce aleti kapatın. Elmas diskler tamamen durana kadar bekleyin ve sonra aleti kaldırın.

İki bıçak geçişi arasında kalan kısmı başka uygun aletlerle çıkartın.

BAKIM

⚠ DİKKAT:

- Bakım ya da muayene yapmaya çalışmadan önce aletin kapalı ve fişinin çekili olduğundan daima emin olun.
- Benzin, tiner, alkol ve benzeri maddeleri kesinlikle kullanmayın. Renk değişimi, deformasyon veya çatlaklar oluşabilir.

Alet ve üstündeki hava delikleri temiz tutulmalıdır. Aletin hava deliklerini düzenli aralıklarla ya da her kapanmaya başladıklarında temizleyin. (Şek. 17)

Elmas diskin bilenmesi

Elmas diskin kesme etkisi azalmaya başlarsa elmas disk bilemek için kullanılmayan eski bir kalın kumlu bileği taşı ya da bir beton blok kullanın. Bileme için, bileği taşıyı ya da beton bloğu sağlam biçimde sabitleyin ve buna kesme işlemi uygulayın.

Aleti EMNİYETLİ ve ÇALIŞMAYA HAZIR durumda tutmak için onarımlar, karbon fırça muayenesi ve değiştirilmesi, başka her türlü bakım ve ayarlamalar daima Makita yedek parçaları kullanılarak Makita yetkili servis merkezleri tarafından yapılmalıdır.

İSTEĞE BAĞLI AKSESUARLAR

⚠ DİKKAT:

- Bu aksesuarlar ve ek parçalar bu el kitabında belirtilen Makita aletinin ile kullanılmak için tavsiye edilmektedir. Herhangi başka bir aksesuar ya da ek parça kullanılması insanlar için bir yaralanma riski getirebilir. Aksesuarları ya da ek parçaları yalnızca belirtilmiş olan kullanım amaçlarına uygun olarak kullanın.

Bu aksesuarlarla ilgili daha fazla bilgiye ihtiyaç duyarsanız bulunduğunuz yerdeki yetkili Makita servisine başvurun.

- Elmas disk

NOT:

- Listedeki bazı parçalar standart aksesuar olarak ürün paketinin içine dahil edilmiş olabilir. Aksesuarlar ülkeden ülkeye farklılık gösterebilir.

ENG905-1

Gürültü

EN60745 standardına göre belirlenen tipik A-ağırlıklı gürültü düzeyi:

Ses basıncı düzeyi (L_{pA}): 97 dB (A)

Ses güç seviyesi (L_{WA}): 108 dB (A)

Belirsizlik (K): 3 dB (A)

Kulak koruyucuları takın

ENG900-1

Titreşim

EN60745 standardına göre hesaplanan titreşim toplam değeri (üç eksenli vektör toplamı):

Çalışma modu: beton kesme

Titreşim emisyonu (a_{h1}): 5,0 m/s²

Belirsizlik (K): 1,5 m/s²

- Beyan edilen titreşim emisyon değeri standart test yöntemine uygun şekilde ölçülmüştür ve bir aleti bir başkasıyla karşılaştırmak için kullanılabilir.
- Beyan edilen titreşim emisyon değeri bir ön maruz kalma değerlendirmesi olarak da kullanılabilir.

⚠ UYARI:

- Bu elektrikli aletin gerçek kullanımı sırasındaki titreşim emisyonu aletin kullanım biçimlerine bağlı olarak beyan edilen emisyon değerinden farklı olabilir.
- Gerçek kullanım koşullarındaki maruz kalmanın bir tahmini hesaplaması temelinde operatörü koruyacak güvenlik önlemlerini mutlaka belirleyin (çalışma döngüsü içerisinde aletin kapalı olduğu ve aktif durumda olmasının yanı sıra boşta çalıştığı zamanlar gibi, bütün zaman dilimleri göz önünde bulundurularak değerlendirilmelidir).

ENH101-18

Sadece Avrupa ülkeleri için

EC Uygunluk Beyanı

Makita Corporation beyan eder ki aşağıdaki makine(ler)i:

Makine Adı:

Kanal Açma

Model No./ Tipi: SG1251

Aşağıdaki Avrupa Direktiflerine uygundur:

2006/42/EC

Aşağıdaki standartlara veya standartlaştırılmış belgelere uygun olarak imal edilmişlerdir:

EN60745

2006/42/EC uyumluluğuna ilişkin teknik dosyaya şuradan ulaşılabilir:

Makita, Jan-Baptist Vinkstraat 2, 3070, Belçika

7.2.2014



Yasushi Fukaya
Müdür

Makita, Jan-Baptist Vinkstraat 2, 3070, Belgium

Makita Jan-Baptist Vinkstraat 2, 3070, Belgium
Makita Corporation Anjo, Aichi, Japan