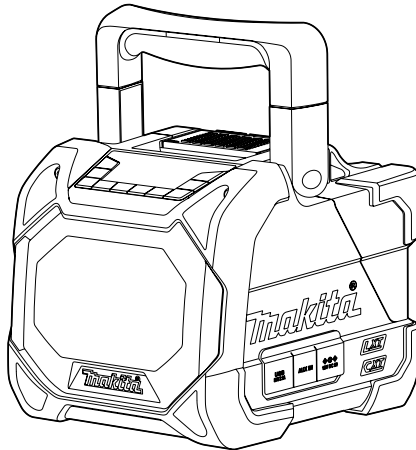
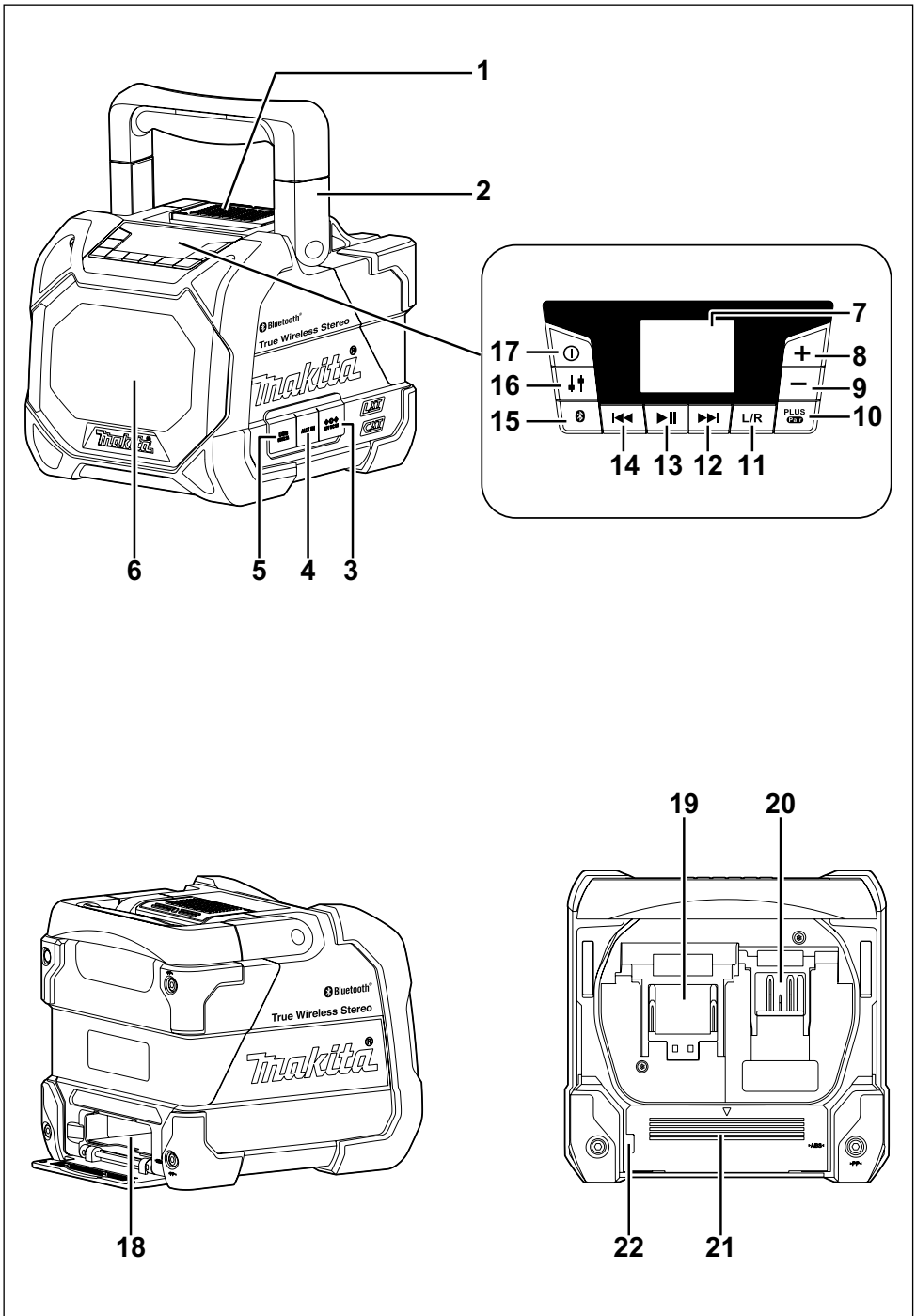


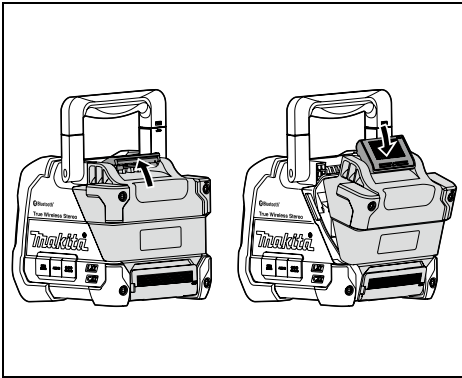


EN	Cordless Job Site Speaker	Instruction manual	4
FR	Haut-parleur sans fil pour le lieu de travail	Manuel d'utilisation	12
DE	Schnurloser Baustellenlautsprecher	Betriebsanleitung	22
IT	Altoparlante da Cantiere Senza Fili	Manuale delle Istruzioni	32
NL	Draadloze bouwluidspreker	Handleiding	42
ES	Altavoz para obra inalámbrico	Manual de instrucciones	52
PT	Altifalante sem fio para locais de trabalho	Manual de instruções	62
DA	Trådløs højttaler til arbejdspladser	Brugsanvisning	72
EL	Ασύρματο ηχείο εργοτάξιου	Εγχειρίδιο οδηγιών	82
TR	Kablosuz Şantiye Hoparlörü	Kullanma Kılavuzu	92
ZHTW	播放器	使用說明書	102
AR	مكبر الصوت لموقع العمل اللاسلكي	دليل التعليمات	110

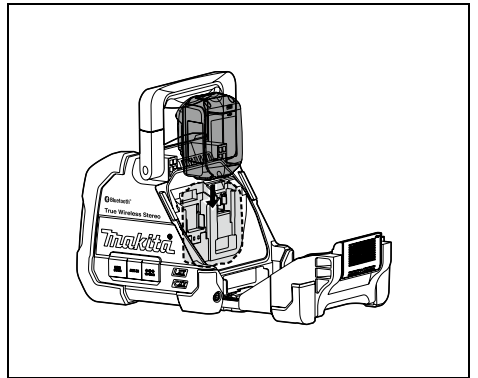
## DMR203



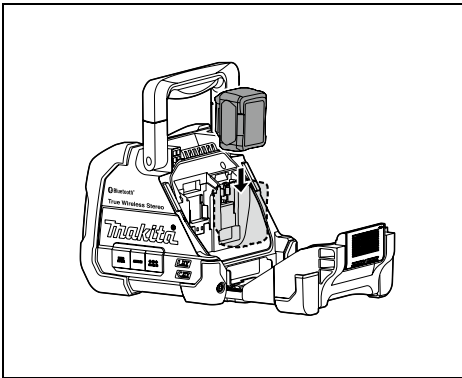




2



3

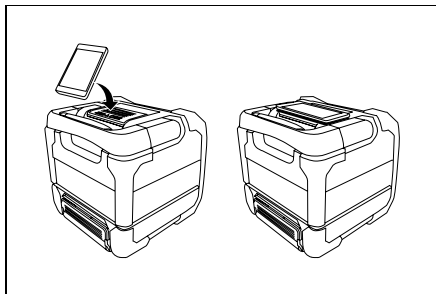


4

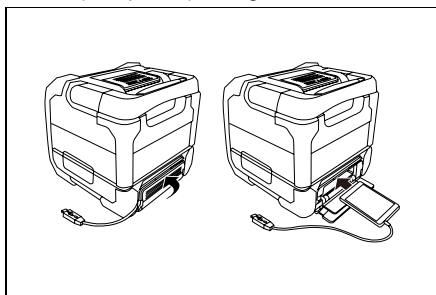
## ENGLISH (Original instructions)

### EXPLANATION OF GENERAL VIEW (Fig. 1)

1. Battery compartment locker/Mobile (Cell phone) placing panel



2. Handle
3. DC in socket
4. Auxiliary input socket
5. USB charging socket
6. Speaker
7. LCD display
8. Volume up button
9. Volume down button
10. Plus button (Plus pair button)
11. L/R button
12. Next track/Fast-forward button
13. Play/Pause button
14. Previous track/Rewind button
15. Bluetooth pairing button
16. EQ control button
17. Power button
18. Mobile (Cell phone) storage cabinet



19. 14.4V/18V battery terminal
20. 10.8V-12V/max battery terminal
21. Mobile storage cabinet cover
22. Cable hole

## SYMBOLS

The following show the symbols used for the equipment. Be sure that you understand their meaning before use.



Read instruction manual.



Only for EU countries.

Do not dispose of electric equipment or battery pack together with household waste material! In observance of the European Directives, on Waste Electric and Electronic Equipment and Batteries and Accumulators and Waste Batteries and Accumulators and their implementation in accordance with national laws, electric equipment and batteries and battery pack (s) that have reached the end their life must be collected separately and returned to an environmentally compatible recycling facility.

## IMPORTANT SAFETY INSTRUCTIONS

### **⚠ WARNING:**

When using electric tools, basic safety precautions should always be followed to reduce the risk of fire, electric shock, and personal injury, including the following:

1. Read this instruction manual and the charger instruction manual carefully before use.
2. Clean only with dry cloth.
3. Do not install near any heat sources such as radiators, heat registers, stoves, or other apparatus (including amplifiers) that produce heat.
4. Only use attachments/accessories specified by the manufacturer.
5. Unplug this apparatus during lightning storms or when unused for long periods of time.
6. A battery operated speaker with integral batteries or a separate battery pack must be recharged only with the specified charger for the battery. A charger that may be suitable for one type of battery may create a risk of fire when used with another battery.
7. Use battery operated speaker only with specifically designated battery packs. Use of any other batteries may create a risk of fire.
8. When battery pack is not in use, keep it away from other metal objects like: paper clips, coins, keys, nails, screws, or other small metal objects that can make a connection from one terminal to another. Shorting the battery terminals together may cause sparks, burns, or a fire.
9. Avoid body contact with grounded surfaces such as pipes, radiators, ranges and refrigerators. There

is an increased risk of electric shock if your body is grounded.

10. Under abusive conditions, liquid may be ejected from the battery; avoid contact. If contact accidentally occurs, flush with water. If liquid contacts eyes, additionally seek medical help. Liquid ejected from the battery may cause irritation or burns.
11. Do not use a battery pack or tool that is damaged or modified. Damaged or modified batteries may exhibit unpredictable behavior resulting in fire, explosion or risk of injury.
12. Do not expose a battery pack or tool to fire or excessive temperature. Exposure to fire or temperature above 130°C (266°F) may cause explosion.
13. Follow all charging instructions and do not charge the battery pack or tool outside the temperature range specified in the instructions. Charging improperly or at temperatures outside the specified range may damage the battery and increase the risk of fire.
14. The MAINS plug is used as the disconnect device, and it shall remain readily operable.
15. Do not use the product at a high volume for any extended period. To avoid hearing damage, use the product at moderate volume level.
16. (For products with LCD display only) LCD displays include liquid which may cause irritation and poisoning. If the liquid enters the eyes, mouth or skin, rinse it with water and call a doctor.
17. Do not expose the product to rain or wet conditions. Water entering the product will increase the risk of electric shock.
18. This product is not intended for use by persons (including children) with reduced physical, sensory or mental capabilities, or lack of experience and knowledge, unless they have been given supervision or instruction concerning use of the product by a person responsible for their safety. Children should be supervised to ensure that they do not play with the product. Store the product out of the reach of children.
19. Do not heat or expose the speaker to fire or leave it in a hot location such as near a heat source, exposed to direct sunlight, or inside a vehicle under the blazing sun. Doing so may cause a fire or explosion and result in personal injury.
3. If operating time has become excessively shorter, stop operating immediately. It may result in a risk of overheating, possible burns and even an explosion.
4. If electrolyte gets into your eyes, rinse them out with clear water and seek medical attention right away. It may result in loss of your eyesight.
5. Do not short the battery cartridge:
  - (1) Do not touch the terminals with any conductive material.
  - (2) Avoid storing battery cartridge in a container with other metal objects such as nails, coins, etc.
  - (3) Do not expose battery cartridge to water or rain. A battery short can cause a large current flow, overheating, possible burns and even a breakdown.
6. Do not store the tool and battery cartridge in locations where the temperature may reach or exceed 50°C (122°F).
7. Do not incinerate the battery cartridge even if it is severely damaged or is completely worn out. The battery cartridge can explode in a fire.
8. Be careful not to drop or strike battery.
9. Do not use a damaged battery.
10. To avoid risk, the manual of replaceable the battery should be read before use. And the max discharging current of the battery should be greater than or equal to 8A.
11. The contained lithium-ion-batteries are subject to the Dangerous Goods Legislation requirements. For commercial transports e.g. by third parties, forwarding agents, special requirement on packaging and labeling must be observed. For preparation of the item being shipped, consulting an expert for hazardous material is required. Please also observe possibly more detailed national regulations. Tape or mask off open contacts and pack up the battery in such a manner that it cannot move around in the packaging.
12. When disposing the battery cartridge, remove it from the tool and dispose of it in a safe place. Follow your local regulations relating to disposal of battery.
13. Use the batteries only with the products specified by Makita. Installing the batteries to non-compliant products may result in a fire, excessive heat, explosion, or leak of electrolyte.
14. If the tool is not used for a long period of time, the battery must be removed from the tool.

## SAVE THESE INSTRUCTIONS

### SPECIFIC SAFETY RULES FOR BATTERY CARTRIDGE

1. Before using battery cartridge, read all instructions and cautionary markings on (1) battery charger, (2) battery, and (3) product using battery.
2. Do not disassemble battery cartridge.

#### **⚠ CAUTION:**

- **Danger of explosion if battery is incorrectly replaced.**
- **Replace only with the same or equivalent type.**
- **Only use genuine Makita batteries. Use of non-genuine Makita batteries, or batteries that have been altered, may result in the battery bursting causing fires, personal injury and damage. It will**

also void the Makita warranty for the Makita tool and charger.

### Tips for maintaining maximum battery life

1. Charge the battery cartridge before completely discharged. Always stop operation and charge the battery cartridge when you notice less power.
2. Never recharge a fully charged battery cartridge. Overcharging shortens the battery service life.
3. Charge the battery cartridge with room temperature at 10°C - 40°C (50°F - 104°F). Let a hot battery cartridge cool down before charging it.
4. Charge the battery cartridge if you do not use it for a long period (more than six months).

## OPERATING TIME

\* The suitable battery packs for this speaker listed as the following table.

\* The following table indicates the operating time on a single charge.

Battery Capacity	Battery Cartridge Voltage			AT SPEAKER OUTPUT = 100mW Unit: Hour (Approximately)	
	10.8V-12Vmax	14.4V	18V	Bluetooth	AUX IN
1.3Ah		BL1415		5.5	6.5
			BL1815	6.0	6.5
1.5Ah	BL1015 BL1016			8.5	9.5
		BL1415N		7.5	8.5
			BL1815N	7.5	8.5
2.0Ah	BL1020B BL1021B			11	12
			BL1820 BL1820B	10	11
3.0Ah		BL1430 BL1430B		13	14
			BL1830 BL1830B	14	16
4.0Ah	BL1040B BL1041B			22	25
		BL1440		20	22
			BL1840 BL1840B	20	22
5.0Ah		BL1450		24	27
			BL1850 BL1850B	26	29
6.0Ah		BL1460B		27	30
			BL1860B	32	35

### WARNING:

Only use the battery cartridges listed above. Use of any other battery cartridges may cause injury and/or fire.

### NOTE:

- Table regarding to the battery operating time above is for reference.
- The actual operating time may differ with the type of the battery, charging condition, or usage environment.

# INSTALLATION AND POWER SUPPLY

## ⚠ CAUTION:

- Be careful not to pinch your fingers when opening and closing the battery cover.
- Return the battery compartment locker to the original position, after installing or removing battery cartridge. If not, battery cartridge may accidentally fall out of the speaker, causing injury to you or someone around you.
- Always close and lock the battery compartment locker before moving the speaker.
- Always switch off the speaker before installing or removing the battery cartridge.
- Be careful not to drop or strike the speaker. Broken shell may slash your finger or stab your body. Damaged speaker may exhibit unpredictable behavior resulting in fire, explosion or risk of injury.
- Hold the speaker and the battery cartridge firmly when installing or removing battery cartridge. Failure to hold the speaker and the battery cartridge firmly may cause them to slip off your hands and result in damage to the speaker and battery cartridge and a personal injury.

## IMPORTANT:

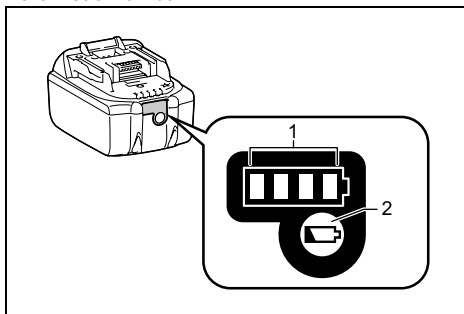
- Reduced power, distortion, “stuttering sound” or “low battery” appear on the display are all the signs that the main battery pack needs to be replaced.
- The battery cartridge can't be charged via the supplied AC power adaptor.
- The battery cartridge is not included as standard accessories.

## Installing or removing slide battery cartridge (Fig. 3 and 4)

- To install the battery cartridge, align the tongue on the battery cartridge with the groove in the housing and slip it into place. Always insert it all the way until it locks in place with a little click.
- If you can see the red indicator on the upper side of the button, it is not locked completely. Install it fully until the red indicator cannot be seen. If not, it may accidentally fall out of the speaker, causing injury to you or someone around you.
- Do not use force when inserting the battery cartridge. If the cartridge does not slide in easily, it is not being inserted correctly.
- To remove the battery cartridge, sliding it from the speaker while pressing the button on the front of the cartridge.

## Indicating the remaining battery capacity

\* Only for battery cartridges with “B” at the end of the model number



### ➤ 1. Indicator lamps 2. Check button

Press the check button on the battery cartridge to indicate the remaining battery capacity. The indicator lamps light up for few seconds.

#### • 14.4V/18V batteries

Indicator or lamps			Remaining Capacity
Lighted	Off	Blinking	
■	■	■	75% ~ 100%
■	■	□	50% ~ 75%
■	□	□	25% ~ 50%
■	□	□	0% ~ 25%
▣	□	□	Charge the battery
■	□	□	The battery may have malfunctioned
□	□	■	

#### • 10.8V-12Vmax batteries

Indicator or lamps			Remaining Capacity
Lighted	Off	Blinking	
■	■	■	75% ~ 100%
■	■	□	50% ~ 75%
■	□	□	25% ~ 50%
■	□	□	0% ~ 25%

**NOTE:**

Depending on the conditions of use and the ambient temperature, the indication may differ slightly from the actual capacity.

### Using supplied AC power adaptor

Remove the rubber protector and insert the adaptor plug into the DC socket on the right hand side of the speaker. Plug the adaptor into a standard mains socket outlet. Whenever the adaptor is used, the battery pack is automatically disconnected.

**⚠ CAUTION:**

- **Always disconnect the AC power adaptor completely before moving the speaker. If the AC adaptor is not removed, it may cause an electric shock.**
- **Never pull and/or drag the cord of the adaptor. If not, the speaker may accidentally fall down, causing injury to you or someone around you.**

**IMPORTANT:**

- The mains adaptor is used as the means of connecting the speaker to the mains supply. The mains socket used for the speaker must remain accessible during normal use.
- In order to disconnect the speaker, the mains adaptor should be removed from the mains outlet completely.
- Use the AC power adaptor supplied with the product or specified by Makita only.
- Do not hold the power supply cable and plug by your mouth. Doing so might cause an electric shock.
- Do not touch the power plug with wet or greasy hands.
- Damaged or entangled cords increase the risk of electric shock. If the cord is damaged, have it replaced by our authorized service center in order to avoid a safety hazard. Do not use it before repair.
- After use, always store AC power adaptor out of the reach of children. If Children play with the cord, they may suffer injury.

### USB power supply socket

This jack can be used to charge a mobile phone or any other device that uses less than 2.1A of DC current. Charging will only occur when the speaker is switched on.

**NOTE:**

Ensure the specification of your external device such as mobile phone or player is compatible with the speaker. Please read instruction manual of your external device before charging.

**IMPORTANT:**

- Before connecting USB device to the charger, always backup your data of USB device. Otherwise your data may lose by any possibility.
- The charger may not supply power to some USB

devices.

- When not using or after charging, remove the USB cable and close the cover.
- Do not connect power source to USB port. Otherwise there is risk of fire. The USB port is only intended for charging lower voltage device. Always place the cover onto the USB port when not charging the lower voltage device.
- Do not insert a nail, wire, etc. into USB power supply port. Otherwise a circuit short may cause smoke and fire.
- Do not connect this USB socket with your PC USB port, as it is highly possible that it may cause breakdown of the units.

## LISTENING TO MUSIC VIA BLUETOOTH STREAMING

You need to pair your Bluetooth device with the speaker before you can auto-link to play/stream Bluetooth music through the speaker. Pairing creates a 'bond' so two devices can recognize each other.

**Note:**

To have the better sound quality, we recommend setting the volume to more than two-thirds level on your Bluetooth device and then adjust the volume on the speaker as required.

### Pairing your Bluetooth device for the first time

1. Press the Power button to turn on the speaker. "Pairing" will appear on the display to show the speaker is discoverable.
2. Activate Bluetooth on your device according to the device's user manual to link to the speaker. Locate the Bluetooth device list and select the device named "DMR203" (With some mobiles which are equipped with earlier versions than BT2.1 Bluetooth device, you may need to input the pass code "0000").
3. Once connected, there will be a confirmation tone sound. "Paired" will appear on the display. You can simply select and play any music from your source device. Volume control can be adjusted from your source device, or directly from the speaker.
4. Use the controls on your Bluetooth-enabled device or on the speaker to play/pause and navigate tracks.

**Note:**

- If 2 Bluetooth devices, pairing for the first time, both search for the speaker, it will show its availability on both devices. However, if one device links with this unit first, then the other Bluetooth device won't find it on the list.
- If your Bluetooth device is temporarily disconnected to the speaker, then you need to manually reconnect your device again to the speaker.



- If “DMR203” shows in your Bluetooth device list but your device cannot connect with it, please delete the item from your list and pair the device with the speaker again following the steps described previously.
- Optimum Bluetooth streaming range is roughly 10 meters (30 feet) (line of sight) to the speaker but distance up to 30 meters (100 feet) are possible.
- If Bluetooth connection is lost due to exceeding time of separation, exceeding the optimum distance, obstacles or otherwise, reconnecting your device with the speaker may be necessary.
- Physical obstacles, other wireless devices or electromagnetic devices may affect the connection quality.
- Bluetooth connectivity performance may vary depending on the connected Bluetooth devices. Please refer to the Bluetooth capabilities of your device before connecting to the speaker. All features may not be supported on some paired Bluetooth devices.

### Playing audio files in Bluetooth mode

When you have successfully connected the speaker with the chosen Bluetooth device you can start to play your music using the controls on your connected Bluetooth device.

1. Once playing has started adjust the volume to the required setting using the Volume buttons on the speaker or on your enabled Bluetooth device.
2. Use the controls on your Bluetooth device to play/pause and navigate tracks. Alternatively, control the playback using Play/Pause, Next track and Previous track buttons on your speaker.
3. Press and hold the Fast-forward button or Rewind button to move through the current track. Release the button when the desired point is reached.

#### Note:

- Not all player applications or devices may respond to all of these controls.
- Some mobile phones may temporarily disconnect from the speaker when you make or receive calls. Some devices may temporarily mute their Bluetooth audio streaming when they receive text messages, emails or for other reasons unrelated to audio streaming. Such behavior is a function of the connected device and does not indicate a fault with the speaker.
- The display will show the track information such as title, artist, album, etc., when playing in Bluetooth mode.

### Playing a previously-paired Bluetooth source device

The speaker can memorize up to 8 sets of paired device, when the memory exceed this amount, the

oldest pairing history will be over written. If your Bluetooth device already paired with the speaker previously, the unit will memorize your Bluetooth device and it attempts to reconnect with a device in memory which is last connected. If the last connected device is not available, the speaker will be discoverable.

### Disconnecting your Bluetooth device

Press and hold the Bluetooth pairing button for 2-3 seconds until “Pairing” is shown on the display to disconnect with your Bluetooth device or turn off Bluetooth on your Bluetooth device to disable the connection.

### Deleting Bluetooth paired device memory

To clear the memory of all paired devices, press and hold the Bluetooth pairing button for more than 5 seconds until you hear two beeps.

## TRUE WIRELESS STEREO (TWS) FUNCTION

True wireless stereo (TWS) is a feature that allows one device to wirelessly connect with another device. You can use the TWS function to connect it to a second DMR203 and play your music through two speakers.

### Set up the first speaker

1. Make sure the first speaker is in Bluetooth mode and connect to a Bluetooth device.
2. Press the Plus button, the display will show **[ST] • [MULTI]**. **[ST]** will flash on the display. Press the Plus button to enter the “ST Pair” mode. If no buttons are pressed for 10 seconds, the speaker will also enter the “ST Pair” mode. The display will show “ST Pair” and “Pair” will flash 1 minute.

### Set up the second speaker

1. Make sure a second speaker is in Bluetooth mode.
2. Press the Plus button, the display will show **[ST] • [MULTI]**. **[ST]** will flash on the display. Press the Plus button to enter the “ST Pair” mode. If no buttons are pressed for 10 seconds, the speaker will also enter the “ST Pair” mode. When the connection is successful, **[L] • [ST] • [R]** will be shown on both displays at the same time. The EQ setting will revert to Flat mode (initial setting).

#### Note:

Set up the second speaker within 1 minute. If you do not set it up within 1 minute, the setting of the first speaker will be canceled.

## Start playback

1. Start playback on the connected Bluetooth device and adjust the volume on the Bluetooth device or one of the speakers for comfortable listening.

### Note:

Volume or EQ (not including Bass/Middle/Treble) adjustment of one speaker is reflected on the other.

2. Use the controls on your Bluetooth device to play/pause and navigate tracks. Alternatively, control the playback using Play/Pause, Next track and Previous track buttons on the one of the speakers. The display on the first speaker will show the track information such as title, artist, album, etc.
3. Press and hold the Fast-forward button or Rewind button on the one of the speakers to move through the current track. Release the button when the desired point is reached.

## Switching the audio mode

1. Using two speakers, you can switch between **L · ST · R**, **R · ST · R** and **L · ST · L** mode.
2. Press the L/R button on either of the speakers to change the audio mode.
3. **L · ST · R mode:** Both speakers play the same sound. It is the initial setting.
4. **R · ST · R and L · ST · L mode:** One speaker plays the sound on the right channel, while the other speaker plays the sound on the left channel for stereo playback between the speakers.

## Disconnecting the TWS Function

Press and hold the Plus button to disconnect the TWS function.

## ENJOYING WIRELESS PLAYBACK USING MULTIPLE SPEAKERS

You can enjoy music at the same time by combining up to 10 devices which are compatible with this function.

## Set up the first speaker

1. Make sure the first speaker is in Bluetooth mode and connect to a Bluetooth device.
2. Press the Plus button, the display will show **ST · MULTI**.
3. Select **MULTI** by pressing the L/R button. **MULTI** will flash on the display. Press the Plus button to enter "MULTI Pair" mode. If no buttons are pressed for 10 seconds, the speaker will also enter the "MULTI Pair" mode. The display will show "MULTI Pair" and "Pair" will flash 1 minute.

## Connect the second and more speakers

1. Make sure the multiple speakers are all in Bluetooth

mode.

2. Press the Plus button, the display will show **ST · MULTI**.
3. Select **MULTI** by pressing the L/R button. **MULTI** will flash on the display. Press the Plus button to enter the "MULTI Pair" mode. If no buttons are pressed for 10 seconds, the speaker will also enter the "MULTI Pair" mode. When the connection is successful, the display will be shown "PARENT" (the master speaker) on the first speaker and the other displays are all shown "CHILD" (the secondary speaker). The EQ setting will revert to Flat mode (initial setting).

### Note:

When connecting the second and more speakers, connect it within 1 minute after setting the first speaker. After 1 minute, the speaker cannot be connected.

## Add a new secondary speaker

If you want to add another speaker after connecting, operate below steps:

1. Make sure the new speaker is in Bluetooth mode.
2. Press the Plus button on the master speaker, the display will show "MULTI ADD" and "ADD" will flash on the display.
3. Press the Plus button on the new speaker, the display will show **ST · MULTI**.
4. Select **MULTI** by pressing the L/R button. **MULTI** will flash on the display. Press the Plus button to enter the "MULTI Pair" mode. If no buttons are pressed for 10 seconds, the speaker will also enter the "MULTI Pair" mode. When the connection is successful, "CHILD" (the secondary speaker) will be displayed on the new speaker. The EQ setting will revert to Flat mode (initial setting).

## Start playback

1. Start playback on the connected Bluetooth device and adjust the volume on the Bluetooth device or on the speakers for comfortable listening. The same music is played from all speakers.

### Note:

Only for the master speaker, the volume or EQ (not including Bass/Middle/Treble) adjustment will be synchronized with the other speakers. For other speakers, adjust the volume or EQ individually with each speaker.

2. Use the controls on your Bluetooth device to play/pause and navigate tracks. Alternatively, control the playback using Play/Pause, Next track and Previous track buttons on the master speaker. The display on the master speaker will show the track information such as title, artist, album, etc.
3. Press and hold the Fast-forward button or Rewind button on the master speaker to move through the current track. Release the button when the desired point is reached.

## Disconnecting the multiple speakers

- To disconnect only one secondary speaker, press and hold the Plus button of the secondary speaker you want to disconnect.
- To disconnect all connections and exit the multiple speakers group, press and hold the Plus button of the master speaker.

## Equalizer function

1. Press the Power button to switch on your speaker.
2. Press the EQ control button to select your required mode (FLAT/JAZZ/ROCK/CLASSIC/POP/NEWS).
3. To set up the bass, middle and treble, press the EQ control button until "Bass" flashes on the display.
4. Press the Volume up/down button to select your required bass level. Press the EQ control button to confirm the setting and enter the "Mid." (Middle) setting.
5. Press the Volume up/down button to select your required middle level. Press the EQ control button to confirm the setting and enter the "Tre." (Treble) setting.
6. Press the Volume up/down button to select your required treble level. Press the EQ control button to confirm the setting.

## Playing music via auxiliary input socket

A 3.5mm Auxiliary input socket is provided on the right side of the unit to permit an audio signal to be fed into the unit from any devices that features a headphone or audio output, such as MP3 or CD player.

1. Connect a stereo or mono audio source (for example, MP3 or CD player) to the Auxiliary input socket (marked 'AUX IN'), the speaker will be switched from Bluetooth to auxiliary input mode.
2. Adjust the Volume control on your MP3 or CD player to ensure an adequate signal and then adjust the volume on the speaker for comfortable listening.

### Note:

To have the better sound quality, we recommend setting the volume to more than two-thirds level on your audio device and then adjust the volume on the speaker as required.

The display does not show the information such as title, artist, album, etc., when playing via auxiliary input socket.

## MAINTENANCE

### ⚠ CAUTION:

- Never use gasoline, benzene, thinner, alcohol or the like. Discoloration, deformation or cracks may result.
- Do not wash the speaker with water.

## SPECIFICATIONS

Amplifier	
Output power	10.8V-12Vmax: 3.5W 14.4V: 6W 18V: 10W
Frequency response	50Hz~20kHz
Aux In	
Input sensitivity	250mVrms @100Hz
Speaker	
Main speaker	101.6mm 8ohm 10W
Tweeter speaker	36mm 8ohm 10W

Bluetooth®	
(The Bluetooth® word mark and logos are registered trademarks owned by Bluetooth SIG, Inc.)	
Bluetooth version	5.0 Certified
Bluetooth Profiles	A2DP/SCMS-T/AVRCP
Transmission Power	Power Class2
Transmission Range	Optimum: Max.10 meters (33 feet) Possible: Max.30 meters (100 feet) (varies according to usage conditions)
Supported codec	SBC
Compatible Bluetooth profile	A2DP/AVRCP
Maximum speaker-frequency power	BT EDR: 3.08dBm BT LE: 3.88dBm
Operating Frequency	2402MHz~2480MHz

### USB charging socket

Maximum supplying power of USB socket	5V, 2.1A
---------------------------------------	----------

### General

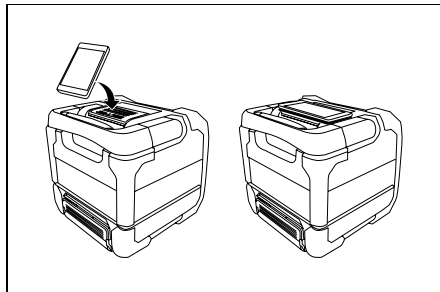
AC power adaptor	DC in 12V 1.5A, center pin positive
Battery	Slide battery: 10.8V-12Vmax 14.4V 18V
Dimensions(W x H x D)	206mm x 199mm x 217mm
Weight	2.7KG (without battery)

The company reserves the rights to amend the specification without notice.

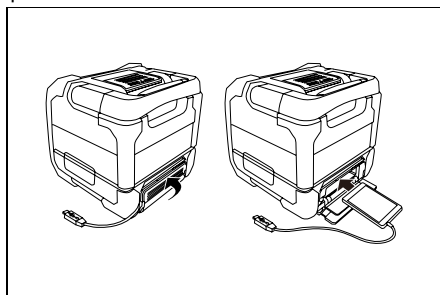
## FRANÇAIS (Instructions d'origine)

### INTERPRÉTATION DE LA VUE GÉNÉRALE (Fig. 1)

1. Loquet du compartiment de la batterie/  
Emplacement pour téléphone portable



2. Poignée
3. Prise DC IN
4. Prise d'entrée auxiliaire
5. Port de charge USB
6. Haut-parleur
7. Écran LCD
8. Bouton Volume haut
9. Bouton Volume bas
10. Bouton Plus (bouton de couplage Plus)
11. Bouton L/R (gauche/droite)
12. Bouton suivant/Bouton avance rapide
13. Bouton Lecture/Pause
14. Bouton précédent/Bouton rembobinage
15. Bouton de couplage Bluetooth
16. Bouton de réglage de l'EQ (Egaliseur)
17. Bouton d'alimentation (Power)
18. Compartiment de rangement du téléphone portable



19. Compartiment de la batterie de 14,4V/18V
20. Compartiment de la batterie de  
10,8V-12Vmax.
21. Clapet du compartiment pour le rangement  
du téléphone portable

## 22. Trou pour câble

### SYMBOLES

Les symboles utilisés pour l'équipement sont affichés ci-dessous. Soyez sûr de tout comprendre avant toute utilisation.



Lisez le manuel d'utilisation.



Uniquement pour les pays de l'UE.  
Ne jetez pas le matériel électrique ou les batteries d'accumulateurs avec les déchets ménagers! Conformément aux directives européennes, sur les déchets d'équipements électriques et électroniques, des batteries et accumulateurs mais aussi des batteries et accumulateurs usagés, ainsi que leur mise en œuvre conformément aux lois nationales, aux équipements électriques et aux batteries et aux batteries d'accumulateurs qui ont atteint leur fin de vie, doivent être collectés séparément et être renvoyé à une installation de recyclage suivant les directives pour l'environnement.

### INSTRUCTIONS IMPORTANTES DE SECURITÉ

#### ⚠ AVERTISSEMENT:

Lorsque vous utilisez des outils électriques, des précautions de base devraient toujours être suivies pour réduire le risque d'incendie, d'électrocution et de blessures, notamment les précautions suivantes:

1. Lisez ce mode d'emploi attentivement ainsi que le mode d'emploi du chargeur avant de l'utiliser.
2. Nettoyez avec un chiffon sec.
3. N'installez pas à proximité de sources de chaleur telles que radiateurs, équipements de chauffage, poêle ou autres appareils (y compris les amplificateurs) qui produisent de la chaleur.
4. N'utilisez que les extensions/accessoires spécifiés par le fabricant.
5. Débranchez cet appareil lors des orages ou lorsqu'il est inutilisé pendant une longue période.
6. Les batteries utilisées pour les haut-parleurs, qu'elles soient intégrées ou séparées, doivent être rechargées uniquement à l'aide du chargeur de batterie spécifié. Un chargeur qui convient à un type

- de batterie peut créer un risque d'incendie s'il est utilisé avec une autre batterie.
7. Les haut-parleurs fonctionnant à l'aide de batteries doivent être utilisés uniquement avec les batteries désignées. L'utilisation d'autres batteries peut créer un risque d'incendie.
  8. Lorsque la batterie n'est pas utilisée, veuillez la tenir éloigner des autres objets métalliques tels que: les trombones, les pièces de monnaie, les clés, les clous, les vis ou les autres petits objets métalliques qui peuvent établir une connexion d'une borne à un autre. Court-circuiter les bornes de la batterie peut provoquer des étincelles, des brûlures ou un incendie.
  9. Évitez tout contact corporel avec des surfaces reliées à la terre telles que les tuyaux, les radiateurs, les cuisinières et les réfrigérateurs. Il y a un risque accru de choc électrique si votre corps est relié à la terre.
  10. Dans des conditions extrêmes, du liquide peut être éjecté depuis la batterie; évitez tout contact avec le liquide. En cas de contact accidentel, rincez avec de l'eau. Si le liquide entre en contact avec les yeux, consultez un médecin. Le liquide éjecté depuis la batterie peut causer des irritations ou des brûlures.
  11. N'utilisez pas les batteries d'accumulateurs ou un appareil qui a été endommagé voire même modifié. Les batteries endommagées ou modifiées peuvent présenter un comportement imprévisible entraînant un incendie, une explosion ou un risque de blessure.
  12. N'exposez pas une batterie ou un appareil au feu ou à une température excessive. L'exposition au feu ou à une température supérieure à 130°C(266°F) peut provoquer une explosion.
  13. Suivez toutes les instructions de charge et ne chargez pas la batterie ou l'appareil en dehors de la plage de température spécifiée dans les instructions. La charge incorrecte ou à des températures en dehors de la plage spécifiée peut endommager la batterie et augmenter le risque d'incendie.
  14. Les prises SECTEUR sont utilisées comme dispositif de déconnexion, et elles doivent rester facilement accessibles.
  15. N'utilisez pas le produit à un volume élevé durant une période prolongée. Pour éviter les dommages auditifs, utilisez-le produit à un niveau de volume modéré.
  16. (pour les produits avec affichage à cristaux liquides seulement) les affichages à cristaux liquides incluent le liquide qui peut causer de l'irritation et un empoisonnement. Si le liquide pénètre dans les yeux, la bouche ou la peau, rincez avec de l'eau et appelez un médecin.
  17. N'exposez pas le produit à la pluie ou à des environnements humides. L'eau pénétrant dans le produit augmente le risque de choc électrique.
  18. Ce produit n'est pas destiné à être utilisé par des personnes (y compris des enfants) ayant des capacités physiques, sensorielles ou mentales réduites, ou un manque d'expérience et de connaissances, à moins qu'elles aient reçu une supervision ou une formation concernant l'utilisation du produit par une personne responsable pour leur sécurité. Les enfants doivent être surveillés pour s'assurer qu'ils ne jouent pas avec le produit. Entreposez le produit hors de la portée des enfants.
  19. Ne chauffez pas ni n'exposez le haut-parleur au feu. Ne le laissez pas dans un endroit chaud, par exemple près d'une source de chaleur, exposé à la lumière directe du soleil ou à l'intérieur d'un véhicule sous un soleil brûlant. Cela pourrait provoquer un incendie ou une explosion et causer des blessures.

## CONSERVEZ SES INSTRUCTIONS

### RÈGLES SPÉCIFIQUES DE SÉCURITÉ POUR LA CARTOUCHE DE BATTERIE

1. Avant d'utiliser la cartouche de batterie, lisez toutes les instructions et les avertissements concernant (1) le chargeur de batterie, (2) la batterie, et (3) l'équipement utilisant la batterie.
2. Ne démontez pas la cartouche de batterie
3. Si le temps de fonctionnement devient excessivement court, cessez immédiatement l'utilisation. Il peut en résulter un risque de surchauffe, de brûlures et même d'explosion.
4. Si l'électrolyte pénètre dans vos yeux, rincez-les à l'eau claire et consultez un médecin immédiatement. Cela peut entraîner une perte de la vue.
5. Ne court-circuitez pas la cartouche de la batterie :
  - (1) Ne touchez pas les bornes avec un matériau conducteur.
  - (2) Évitez de ranger la cartouche de la batterie dans un conteneur avec d'autres objets métalliques tels que des clous, des pièces de monnaie, etc.
  - (3) N'exposez pas la cartouche de la batterie à l'eau ou à la pluie. Un court-circuit de la batterie peut provoquer un fort courant, une surchauffe, des brûlures et même une panne.
6. Ne rangez pas l'outil ou la cartouche de la batterie dans des endroits où la température peut atteindre ou dépasser 50°C (122°F).
7. N'incinerez pas la cartouche de la batterie même si elle est sérieusement endommagée ou

- complètement usée. La cartouche de la batterie peut exploser dans un feu.
8. Veillez ne pas laisser tomber ou heurter la batterie.
  9. N'utilisez pas de batterie endommagée.
  10. Pour éviter tout risque, le manuel de la batterie de remplacement de la batterie doit être lu avant toute utilisation. Le courant de décharge maximal de la batterie doit être supérieur ou égal à 8A.
  11. Les batteries lithium-ion sont soumises aux exigences de la législation sur les marchandises dangereuses. Pour les transports commerciaux, par ex. par des tiers, des agents de livraison, des exigences particulières en matière de conditionnement et d'étiquetage doivent être respectées.

Pour la préparation de l'article à expédier, il est nécessaire de consulter un expert pour les matières dangereuses. Veuillez également prendre connaissance des réglementations nationales éventuellement plus détaillées.

Recouvrez par du scotch ou masquez les contacts ouverts et emballez la batterie de telle manière qu'elle ne puisse pas bouger dans l'emballage.

12. Lorsque vous éliminez la cartouche de batterie, retirez-la de l'appareil et éliminez-la dans un endroit sûr. Suivez les réglementations locales relatives à l'élimination des batteries.
13. Utilisez les batteries uniquement avec les produits spécifiés par Makita. L'installation des batteries dans des produits non conformes peut entraîner un incendie, une chaleur excessive, une explosion ou une fuite d'électrolyte.
14. Si l'appareil n'est pas utilisé pendant une longue période de temps, la batterie doit y être retirée.

#### **⚠ MISE EN GARDE:**

- **Risque d'explosion si la batterie est incorrectement remplacée.**
- **Remplacez uniquement avec le même type ou équivalent.**
- **N'utilisez que des batteries Makita authentiques. L'utilisation de batteries Makita non authentiques, ou des batteries qui ont été modifiées, peut provoquer une explosion de la batterie provoquant des incendies, des blessures et des dégâts. Cela annulera également la garantie Makita pour l'outil Makita et le chargeur.**

## **Conseils pour maintenir la durée de vie de la batterie au maximum**

1. Chargez la cartouche de la batterie avant qu'elle ne soit complètement déchargée. Arrêtez toujours le fonctionnement de l'équipement et rechargez la cartouche de la batterie lorsque vous remarquez que la puissance de l'équipement est faible.

2. Rechargez jamais une cartouche de batterie qui est déjà complètement chargée. La surcharge réduit la durée de vie de la batterie.
3. Rechargez la cartouche de batterie à une température ambiante de 10°C à 40°C (50°F - 104°F). Laissez la cartouche de batterie chaude se refroidir avant de la charger.
4. Rechargez la cartouche de batterie si vous ne l'utilisez pas pendant une longue période (plus de six mois).

# TEMPS DE FONCTIONNEMENT

\* Les batteries appropriées pour ce haut-parleur sont répertoriées dans le tableau suivant.

\* Le tableau suivant indique le temps de fonctionnement sur une seule charge.

Capacité de la batterie	Tension de la cartouche de la batterie			SORTIE DU HAUT-PARLEUR = 100mW Unité: Heures (Approximative)	
	10,8V-12Vmax	14,4V	18 V	En mode Bluetooth	En mode AUX IN
1.3Ah		BL1415		5.5	6.5
			BL1815	6.0	6.5
1.5Ah	BL1015 BL1016			8.5	9.5
		BL1415N		7.5	8.5
			BL1815N	7.5	8.5
2.0Ah	BL1020B BL1021B			11	12
			BL1820 BL1820B	10	11
3.0Ah		BL1430 BL1430B		13	14
			BL1830 BL1830B	14	16
4.0Ah	BL1040B BL1041B			22	25
		BL1440		20	22
			BL1840 BL1840B	20	22
5.0Ah		BL1450		24	27
			BL1850 BL1850B	26	29
6.0Ah		BL1460B		27	30
			BL1860B	32	35

## AVERTISSEMENT:

N'utilisez que les cartouches de batterie énumérées ci-dessus. L'utilisation de toute autre cartouche de batterie peut causer des blessures et/ou des incendies.

## REMARQUE:

- Le tableau concernant la durée de fonctionnement de la batterie ci-dessus est présenté comme référence.
- Le temps de fonctionnement réel peut différer du type de la batterie, de la condition de la charge ou de l'environnement d'utilisation.

# INSTALLATION ET ALIMENTATION FOURNIE

## ⚠ MISE EN GARDE:

- Veuillez faire attention à ne pas vous pincer les doigts en ouvrant ou fermant le clapet de la batterie.
- Remettez le loquet du compartiment de la batterie dans sa position initiale après l'ajout ou le retrait de la batterie. À défaut, elle risque de tomber accidentellement du haut-parleur et de vous blesser ou de blesser une personne située près de vous.
- Fermez et verrouillez toujours le compartiment de la batterie avant tout déplacement du haut-parleur.
- Éteignez toujours le haut-parleur avant d'installer et de retirer la batterie.
- Veuillez éviter toute chute du haut-parleur ou autres impacts. Un boîtier brisé peut vous couper les doigts ou vous causer d'autres blessures. Un haut-parleur endommagé peut avoir un comportement imprévisible entraînant un incendie, une explosion ou un risque de blessure.
- Tenez fermement le haut-parleur et la batterie lors de l'installation ou du retrait de la batterie. Si vous ne tenez pas fermement le haut-parleur et la batterie, vous risquez de les faire glisser de vos mains, d'endommager le haut-parleur et la batterie et de vous blesser.

## IMPORTANT:

- Une baisse de puissance, une distorsion sonore, un son saccadé ou l'affichage de « Batterie faible » sur l'écran sont les signes que la batterie a besoin d'être remplacée.
- La batterie ne peut être chargée via l'adaptateur d'alimentation secteur fourni.
- La batterie n'est pas incluse dans les accessoires de base.

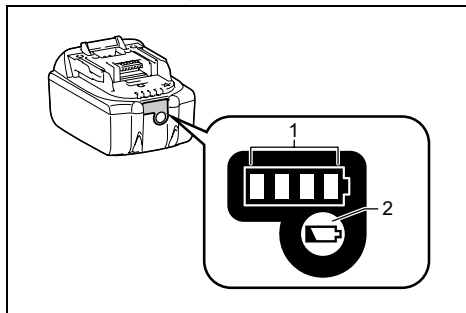
## Installation et retrait d'une batterie coulissante (Fig. 3 et 4)

- Pour installer la batterie, alignez sa languette sur la rainure qui se trouve à l'intérieur du logement, puis faites glisser la batterie pour la mettre en place. Insérez-la toujours bien à fond, jusqu'à ce qu'elle se verrouille en émettant un léger déclic.
- Si vous voyez le voyant rouge sur la face supérieure du bouton, la batterie n'est pas parfaitement verrouillée. Installez-la à fond, jusqu'à ce que le voyant rouge ne soit plus visible. À défaut, elle risque de tomber accidentellement du haut-parleur et de vous blesser ou de blesser une personne située près de vous.

- N'appliquez pas une force excessive lors de l'insertion de la batterie. Si la batterie ne glisse pas aisément, elle n'est pas insérée correctement.
- Pour retirer la cartouche de la batterie, faites-la glisser du haut-parleur tout en appuyant sur le bouton à l'avant de la cartouche.

## Indication de l'autonomie restante de la batterie

\* Uniquement pour les batteries dont le numéro de modèle se termine par la lettre « B »



### ➤ 1. Voyants de charge de la batterie

#### 2. Bouton de vérification

Appuyez sur le bouton de vérification pour vérifier l'autonomie restante de la batterie. Les voyants s'allument alors pendant quelques secondes.

#### • Batteries de 14,4V/18V

Indicateurs ou voyants de charge			Capacité restante
Allumés	Eteintes	Clignotants	
■ ■ ■ ■			75% ~ 100%
■ ■ ■ □			50% ~ 75%
■ ■ □ □			25% ~ 50%
■ □ □ □			0% ~ 25%
▣ □ □ □			Rechargez la batterie
■ ■ □ □			La batterie semble mal fonctionnée
□ □ ■ ■			



## ● Batteries de 10,8V-12Vmax

Indicateurs ou voyants de charge			Capacité restante
Allumés	Eteintes	Clignotants	
			75% ~ 100%
			50% ~ 75%
			25% ~ 50%
			0% ~ 25%

### REMARQUE:

Selon les conditions d'utilisation et la température ambiante, les voyants peuvent indiquer une capacité légèrement différente de la capacité réelle.

## Utilisation de l'adaptateur secteur fourni

Retirez la protection en caoutchouc et insérez la fiche de l'adaptateur dans la prise CC située sur le côté droit du haut-parleur. Branchez l'adaptateur dans une prise secteur standard. Chaque fois que l'adaptateur est utilisé, la batterie est automatiquement déconnectée.

### ⚠ MISE EN GARDE:

- **Déconnectez toujours complètement l'adaptateur secteur avant de déplacer le haut-parleur. Si l'adaptateur secteur n'est pas retiré, cela peut provoquer un risque d'électrocution.**
- **Ne jamais tirer et trainer le cordon de l'adaptateur. Si vous le faites, le haut-parleur risque de tomber accidentellement, vous blessant ou blessant les gens situés autour de vous.**

### IMPORTANT:

- L'adaptateur secteur est utilisé pour connecter le haut-parleur à l'alimentation secteur. La prise secteur utilisée pour le haut-parleur doit rester accessible pendant l'utilisation normale.
- Pour déconnecter le haut-parleur, débranchez complètement l'adaptateur secteur de la prise de courant.
- Utilisez l'adaptateur secteur fourni avec le produit ou uniquement celui spécifié par MAKITA.
- Ne tenez pas le câble d'alimentation et ne le mettez pas dans votre bouche. Cela peut provoquer un choc électrique.
- Ne touchez pas le câble d'alimentation avec les mains mouillées ou grasses.
- Si le cordon est endommagé ou emmêlé, faites-le remplacer par notre centre de service autorisé afin d'éviter tout risque de sécurité. Ne l'utilisez surtout pas avant qu'il ne soit réparé.

- Après utilisation, rangez toujours l'adaptateur secteur hors de la portée des enfants. Si les enfants jouent avec le cordon d'alimentation, ils encourent des risques de blessures.

## Recharge à partir du port USB

Cette prise peut être utilisée pour charger un téléphone portable ou tout autre appareil utilisant moins de 2,1A de courant continu.

La charge ne se produira que lorsque le haut-parleur est allumé.

### Remarque:

assurez-vous que les spécifications de votre périphérique externe, tel qu'un téléphone portable ou un lecteur, soient compatibles avec le haut-parleur. Veuillez lire le manuel d'instructions de votre appareil externe avant de charger.

### IMPORTANT:

- Avant de brancher votre appareil USB au chargeur, sauvegardez toujours vos données enregistrées sur l'appareil USB. Dans le cas contraire, vous risquez de les perdre par accident.
- Il est possible que le chargeur ne puisse pas alimenter certains appareils USB.
- Retirez le câble USB et fermez le clapet lorsque vous ne l'utilisez pas ou lorsque la charge est terminée.
- Ne branchez pas de source d'alimentation dans le port USB. Il y a risque d'incendie. Le port USB est destiné uniquement à la recharge d'appareils de faible tension. Placez toujours le couvercle sur le port USB lorsque vous ne rechargez pas d'appareils de faible tension.
- N'insérez pas de clou, fil, etc., dans le port USB. Vous pourriez provoquer un court-circuit et déclencher un incendie et la formation de fumée.
- Ne branchez pas cette prise USB dans le port USB de votre PC, au risque de provoquer une panne des appareils.

## Écouter de la musique via le streaming Bluetooth

Vous devez coupler votre appareil Bluetooth avec le haut-parleur avant que vous puissiez le relier automatiquement pour lire/diffuser de la musique Bluetooth via le haut-parleur. Le couplage crée un « lien » afin que deux appareils puissent se reconnaître mutuellement.

### Remarque:

Pour avoir une meilleure qualité sonore, nous vous conseillons de régler le volume à plus des deux tiers sur votre appareil Bluetooth, puis ajustez le volume sur le haut-parleur au besoin.

## Couplage de votre appareil Bluetooth pour la première fois

1. Appuyez sur le bouton d'alimentation pour allumer l'appareil. Le message « Couplage en cours » apparaîtra sur l'écran pour indiquer que le haut-parleur est détectable.
2. Activez le Bluetooth sur votre appareil conformément au manuel d'instruction pour le relier à votre haut-parleur. Situez la liste des appareils Bluetooth et choisissez l'appareil nommé « DMR203 ». Avec certains portables (équipés de versions antérieures aux appareils Bluetooth BT2.1), vous devrez saisir un mot de passe « 0000 ».
3. Une fois connecté, vous entendrez une tonalité de confirmation. « Couplé » apparaîtra à l'écran. Vous pouvez simplement sélectionner et lire n'importe quelle musique à partir de votre appareil source. Le contrôle du volume peut être réglé à partir de votre appareil source ou directement à partir du haut-parleur.
4. Utilisez les commandes de votre appareil compatible Bluetooth ou du haut-parleur pour lire/mettre en pause et parcourir les pistes.

### Remarque:

- Si 2 appareils Bluetooth, effectuent le couplage pour la première fois, les deux à la fois rechercheront le haut-parleur. Il sera affiché la disponibilité sur les deux appareils. Toutefois, si l'un des appareils se lie avec cet appareil d'abord, l'autre appareil Bluetooth ne la trouvera pas sur la liste.
- Si votre périphérique Bluetooth est temporairement déconnecté du haut-parleur, alors vous devez reconnecter manuellement votre appareil à nouveau avec le haut-parleur.
- Si « DMR203 » est affiché dans votre liste d'appareils Bluetooth, mais que votre appareil ne peut pas se connecter avec lui, veuillez supprimer l'élément de votre liste et coupez de nouveau l'appareil avec le haut-parleur en suivant les étapes décrites précédemment.
- La portée de fonctionnement optimale du Bluetooth est d'environ 10 mètres (30 pieds) (ligne de visée) vers le haut-parleur, mais une distance de jusqu'à 30 mètres (100 pieds) est possible.
- Si la connexion Bluetooth est perdue en raison d'une durée de déconnexion trop longue, d'un dépassement de la portée, de présence d'obstacles ou autres il peut être nécessaire de reconnecter votre appareil au haut-parleur.
- Les obstacles physiques, les autres appareils sans fil ou les appareils électromagnétiques peuvent affecter la qualité de la connexion.
- La performance de connectivité Bluetooth peut varier en fonction des appareils Bluetooth connectés.

Référez-vous aux fonctionnalités Bluetooth de votre appareil avant de connecter votre haut-parleur. Toutes les fonctions ne seront peut-être pas compatibles sur certains appareils Bluetooth.

## Lecture de fichiers audio en mode Bluetooth

Lorsque vous avez correctement connecté votre haut-parleur avec l'appareil Bluetooth de votre choix, vous pourrez commencer à lire votre musique en utilisant les contrôles sur votre appareil Bluetooth connecté.

1. Une fois que la lecture a commencé, réglez le volume sur la valeur souhaitée en utilisant les boutons de volume de votre haut-parleur ou sur votre appareil avec Bluetooth activé.
2. Utilisez les contrôles de votre périphérique Bluetooth pour lire/mettre en pause et parcourir les pistes. Vous pouvez également contrôler la lecture à l'aide des boutons Lecture/Pause, Piste suivante et Piste précédente de votre haut-parleur.
3. Maintenez enfoncés le bouton Avance rapide ou le bouton de rembobinage pour vous déplacer dans la piste en cours. Relâchez le bouton lorsque le point souhaité est atteint.

### Remarque:

- Toutes les applications de lecture ou les périphériques ne peuvent répondre à l'ensemble de ces contrôles.
- Certains téléphones mobiles peuvent se déconnecter temporairement de votre haut-parleur lorsque vous donnez ou recevez des appels. Certains appareils peuvent couper temporairement leur streaming audio Bluetooth quand ils reçoivent des messages texte, e-mails ou pour d'autres raisons non liées au comportement du streaming audio. Ce comportement est une fonction de l'appareil connecté et ne constitue pas un défaut de votre haut-parleur.
- L'écran affichera les informations sur la piste telles que le titre, l'artiste, l'album, etc., lors de la lecture en mode Bluetooth.

## Lecture d'un périphérique source Bluetooth précédemment couplé

Votre haut-parleur peut mémoriser jusqu'à 8 appareils couplés, lorsque la mémoire dépasse ce nombre, le premier appareil couplé sera remplacé. Si votre appareil Bluetooth a déjà été couplé avec le haut-parleur précédemment, l'unité mémorisera votre appareil Bluetooth et essaiera de se reconnecter avec l'appareil qui a été le dernier connecté enregistré en mémoire. Si le dernier appareil connecté n'est pas disponible, le haut-parleur ne sera pas détectable.

## Déconnecter votre appareil Bluetooth

Appuyez sur le bouton de couplage Bluetooth et maintenez-le enfoncé pendant 2-3 secondes jusqu'à ce que « Couplage en cours » apparaisse pour vous déconnecter de votre périphérique Bluetooth ou désactiver le Bluetooth sur votre appareil.

## Suppression de la mémoire de l'appareil Bluetooth couplé

Pour effacer la mémoire de tous les périphériques couplés, maintenez le bouton de couplage Bluetooth enfoncé pendant plus de 5 secondes jusqu'à ce que vous entendiez deux bips.

## FONCTION TRUE WIRELESS STEREO (TWS)

La technologie True Wireless Stereo (TWS) est une fonctionnalité qui permet à un périphérique de se connecter à un autre périphérique via le sans-fil. Vous pouvez utiliser la fonction TWS pour le connecter à un second DMR203 et écouter votre musique via deux haut-parleurs.

### Configuration du premier haut-parleur

1. Assurez-vous que le premier haut-parleur soit en mode Bluetooth et connectez-vous à un périphérique Bluetooth.
2. Appuyez sur le bouton Plus, l'écran indiquera **[ST] • [MULTI]**. **[ST]** clignotera à l'écran. Appuyez sur le bouton Plus pour entrer dans le mode « Couplage ST ». Si vous n'appuyez sur aucun bouton pendant 10 secondes, le haut-parleur passera également en mode « Couplage ST ». L'écran affichera « Couplage ST » et « Couplage » clignotera pendant 1 minute.

### Configuration du deuxième haut-parleur

1. Assurez-vous qu'un deuxième haut-parleur soit en mode Bluetooth.
2. Appuyez sur le bouton Plus, l'écran indiquera **[ST] • [MULTI]**. **[ST]** clignotera à l'écran. Appuyez sur le bouton Plus pour entrer dans le mode « Couplage ST ». Si vous n'appuyez sur aucun bouton pendant 10 secondes, le haut-parleur passera également en mode « Couplage ST ». Une fois la connexion établie avec succès, **[L • ST] • [R]** s'affichera sur les deux écrans en même temps. Le paramètre EQ repassera en mode Plat (réglage initial).

#### Remarque:

configurez le deuxième haut-parleur dans la minute qui suit. Si vous ne le configurez pas dans un délai d'une minute, le réglage du premier haut-parleur sera annulé.

## Lancer la lecture

1. Démarrez la lecture sur le périphérique Bluetooth connecté et réglez le volume sur le périphérique Bluetooth ou l'un des haut-parleurs pour une écoute confortable.  
**Remarque:**  
le réglage du volume ou de l'égaliseur (grave, médium et aigu) d'un haut-parleur est répercuté sur l'autre.
2. Utilisez les commandes de votre périphérique Bluetooth pour lire/mettre en pause et parcourir les pistes. Vous pouvez également contrôler la lecture à l'aide des boutons Lecture/Pause, Piste suivante et Piste précédente de l'un des haut-parleurs. L'écran du premier haut-parleur affichera les informations sur la piste telles que le titre, l'artiste, l'album, etc.
3. Maintenez enfoncé le bouton Avance rapide ou le bouton Rembobinage de l'un des haut-parleur pour parcourir la piste en cours. Relâchez le bouton lorsque le point souhaité est atteint.

## Changer le mode audio

1. En utilisant deux haut-parleurs, vous pouvez basculer entre les modes **[L • ST] • [R]**, **[R • ST] • [R]** et **[L • ST] • [L]**.
2. Appuyez sur le bouton L/R de l'un ou de l'autre haut-parleur pour changer le mode audio.
3. **Mode [L • ST] • [R]** : les deux haut-parleurs jouent la même bande sonore. C'est le réglage initial.
4. **Mode [R • ST] • [R] et [L • ST] • [L] mode** : un haut-parleur lit le son sur le canal droit, tandis que l'autre lit le son sur le canal gauche pour une lecture stéréo entre les haut-parleurs.

## Déconnexion de la fonction TWS

Appuyez sur le bouton Plus et maintenez-le enfoncé pour désactiver la fonction TWS.

## PROFITER DE LA LECTURE SANS FIL À L'AIDE DE MULTIPLES HAUT-PARLEURS

Vous pouvez écouter de la musique simultanément en combinant jusqu'à 10 appareils compatibles avec cette fonction.

### Configuration du premier haut-parleur

1. Assurez-vous que le premier haut-parleur soit en mode Bluetooth et connectez-vous à un périphérique Bluetooth.
2. Appuyez sur le bouton Plus, l'écran indiquera **[ST] • [MULTI]**.
3. Sélectionnez **[MULTI]** en appuyant dur le bouton L/R. **[MULTI]** clignotera à l'écran. Appuyez sur le bouton

Plus pour entrer dans le mode « Couplage MULTI ». Si vous n'appuyez sur aucun bouton pendant 10 secondes, le haut-parleur passera également en mode « Couplage MULTI ». L'écran affichera « Couplage MULTI » et « Couplage » clignotera pendant 1 minute.

## Configuration du deuxième et de plusieurs haut-parleurs

1. Assurez-vous que plusieurs haut-parleurs soient en mode Bluetooth.
2. Appuyez sur le bouton Plus, l'écran indiquera **[BT] • [MULTI]**.
3. Sélectionnez **[MULTI]** en appuyant sur le bouton L/R. **[MULTI]** clignotera à l'écran. Appuyez sur le bouton Plus pour entrer dans le mode « Couplage MULTI ». Si vous n'appuyez sur aucun bouton pendant 10 secondes, le haut-parleur passera également en mode « Couplage MULTI ». Une fois la connexion établie avec succès, «PARENT» (enceinte maître/principal) s'affichera sur le premier haut-parleur et «CHILD» (enceinte secondaire) sur le deuxième. Le paramètre EQ repassera en mode Plat (réglage initial).

### Remarque:

configurez le deuxième et les autres haut-parleurs dans la minute qui suit la configuration du premier haut-parleur. Si vous ne le configurez pas dans un délai d'une minute, le haut-parleur ne pourra pas être connecté.

## Ajouter un nouveau haut-parleur esclave

Si vous souhaitez ajouter un autre haut-parleur après la connexion, procédez comme suit:

1. Assurez-vous que le nouveau haut-parleur soit en mode Bluetooth.
2. Appuyez sur le bouton Plus du haut-parleur principale (Maître). L'écran affichera « MULTI AJOUT » et « AJOUTER » clignotera à l'écran.
3. Appuyez sur le bouton Plus du nouveau haut-parleur, l'écran affichera **[BT] • [MULTI]**.
4. Sélectionnez **[MULTI]** en appuyant sur le bouton L/R. **[MULTI]** clignotera à l'écran. Appuyez sur le bouton Plus pour entrer dans le mode « Couplage MULTI ». Si vous n'appuyez sur aucune touche pendant 10 secondes, le haut-parleur passera également en mode « Couplage MULTI ». Lorsque la connexion est établie, «CHILD» (enceinte secondaire) s'affichera sur le nouveau haut-parleur. Le paramètre EQ repassera en mode plat (réglage initial).

## Lancer la lecture

1. Démarrez la lecture sur le périphérique Bluetooth connecté et réglez le volume sur le périphérique

Bluetooth ou l'un des haut-parleurs pour une écoute confortable. La même musique sera jouée par tous les haut-parleurs.

### Remarque:

- uniquement pour le haut-parleur principale, le réglage du volume ou de l'égaliseur (excluant les paramètres grave, médium et aigu) d'un haut-parleur est répercuté sur les autres. Pour les autres haut-parleurs, ajustez le volume ou l'égaliseur individuellement avec chaque haut-parleur.
2. Utilisez les contrôles de votre périphérique Bluetooth pour lire/mettre en pause et parcourir les pistes. Vous pouvez également contrôler la lecture à l'aide des boutons Lecture/Pause, Piste suivante et Piste précédente du haut-parleur principal. L'écran du haut-parleur principal affichera les informations sur la piste telles que le titre, l'artiste, l'album, etc.
  3. Maintenez enfoncé le bouton Avance rapide ou le bouton Rembobinage du haut-parleur principal pour parcourir la piste en cours. Relâchez le bouton lorsque le point souhaité est atteint.

## Déconnexion de plusieurs haut-parleurs

- Pour ne déconnecter qu'un seul haut-parleur esclave, maintenez enfoncé le bouton Plus du haut-parleur esclave que vous souhaitez déconnecter.
- Pour déconnecter toutes les connexions et quitter le groupe de plusieurs haut-parleurs, maintenez enfoncé le bouton Plus du haut-parleur principal.

## Fonction égaliseur

1. Appuyez sur le bouton d'alimentation pour allumer votre haut-parleur.
2. Appuyez sur le bouton de réglage de l'EQ pour sélectionner le mode souhaité (FLAT (plat)/JAZZ/ROCK/CLASSIC (classique)/POP/NEWS (Nouveau)).
3. Pour configurer les graves, les médiums et les aigus, appuyez sur le bouton de réglage de l'EQ jusqu'à ce que « graves » clignote à l'écran.
4. Appuyez sur le bouton Volume haut/bas pour sélectionner le niveau de graves souhaité. Appuyez sur le bouton de réglage EQ pour confirmer le réglage et passer au paramètre « Mid » (médiums).
5. Appuyez sur le bouton Volume haut/bas pour sélectionner le niveau de médiums requis. Appuyez sur le bouton de réglage de l'EQ pour confirmer le réglage et passer au paramètre « Tre » (Aigus).
6. Appuyez sur le bouton Volume haut/bas pour sélectionner le niveau des aigus souhaité. Appuyez sur le bouton de réglage de l'EQ pour confirmer le réglage.

## Jouer de la musique via une prise d'entrée auxiliaire

Une prise d'entrée auxiliaire de 3,5mm est fournie sur le côté droit de l'appareil pour permettre à un signal audio d'être transmis à l'appareil à partir de tout périphérique doté d'un casque ou d'une sortie audio, tel qu'un lecteur MP3 ou CD.

1. Connectez une source audio stéréo ou mono (lecteur MP3 ou CD, par exemple) à la prise d'entrée auxiliaire (marquée « AUX IN »). Le haut-parleur passera du mode Bluetooth au mode d'entrée auxiliaire.
2. Réglez le contrôle du volume de votre lecteur MP3 ou CD pour assurer un signal adéquat, puis réglez le volume sur le haut-parleur pour une écoute confortable.

### Remarque:

Pour obtenir une meilleure qualité sonore, nous vous recommandons de régler le volume sur plus des deux tiers sur votre périphérique audio, puis de régler le volume sur le haut-parleur selon les besoins.

L'écran n'indiquera pas les informations telles que le titre, l'artiste, l'album, etc., lors de la lecture via la prise d'entrée auxiliaire.

## ENTRETIEN

### ⚠ MISE EN GARDE:

- N'utilisez jamais d'essence, de benzine, de diluant, d'alcool ou produits similaires. Cela pourrait entraîner une décoloration, une déformation ou des fissures.
- Ne lavez pas le haut-parleur avec de l'eau.

## SPÉCIFICATION

Amplificateur	
Puissance de sortie	10,8V-12Vmax: 3,5W 14,4V: 6W 18V: 10W
Fréquence des réponses	50Hz~20kHz
Aux In	
Sensibilité d'entrée	250mVrms @100Hz
Haut-parleur	
Haut-parleur principal	101,6mm 8ohm 10W
Haut-parleur tweeter	36mm 8ohm 10W

Bluetooth®	
(La marque et les logos Bluetooth® sont des marques commerciales déposées appartenant à Bluetooth SIG, Inc.)	
Version du Bluetooth	Certifié 5.0
Profils du Bluetooth	A2DP/SCMS-T/AVRCP
Puissance de transmission	Classe 2 de puissance
Portée de transmission	Optimum: Max.de 10 mètres (33 pieds) Possible: Max.de 30 mètres (100 pieds) (varie selon les conditions d'utilisation)
Codec pris en charge	SBC
Profil Bluetooth compatible	A2DP/AVRCP
Puissance maximale de des fréquences du haut-parleur	BT EDR: 3.08dBm BT LE: 3.88dBm
Fréquence de fonctionnement	2402MHz~2480MHz

Prise de charge USB	
Puissance d'alimentation maximale de la prise USB	5V, 2,1A

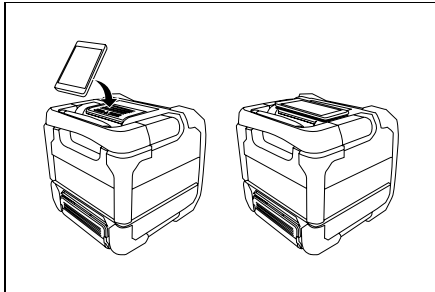
Général	
Adaptateur secteur	12V et 1,5A en CC, broche centrale positive
Batterie	Batterie coulissante: 10,8V-12Vmax 14,4V 18V
Dimensions(l x H x P)	206mm x 199mm x 217mm
Poids	2,7Kg (sans la batterie)

L'entreprise se réserve le droit de modifier les spécifications sans préavis.

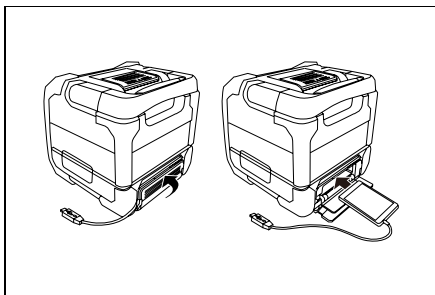
# DEUTSCH (Originalanweisungen)

## Übersicht des Geräts (Abb. 1)

### 1. Verriegelung Batteriefach/Ablage für Handy



2. Griff
3. DC-Eingang
4. AUX-Eingang
5. USB-Ladeanschluss
6. Lautsprecher
7. LCD
8. Lautstärke erhöhen
9. Lautstärke reduzieren
10. Plus-Taste (Kopplung)
11. L/R-Taste
12. Nächster Titel/Vorspulen
13. Wiedergabe/Pause
14. Vorheriger Titel/Zurückspulen
15. Bluetooth-Kopplung
16. EQ-Taste
17. Betriebstaste
18. Handy-Aufbewahrung (Mobiltelefon)



19. 14,4V/18V Batterieanschluss
20. 10.8V-12V/max Batterieanschluss
21. Abdeckung für Handy-Aufbewahrung
22. Kabelöffnung

## SYMBOLE

Nachfolgend werden die Symbole für dieses Gerät erläutert. Verinnerlichen Sie die Bedeutung aller Symbole vor dem Gebrauch.



Lesen Sie die Bedienungsanleitung gut durch.



Nur für EU-Länder.

Entsorgen Sie elektrische Geräte oder Batterien nicht über den Hausmüll! Gemäß der Europäischen Richtlinie zur Entsorgung von elektrischen und elektronischen Altgeräten, Batterien, Akkus und Altbatterien, sowie gemäß deren Implementierung in nationales Recht, sind elektrische Geräte, Batterien und Akkus am Ende ihrer Lebensdauer separat zu entsorgen oder an umweltgerechten Sammelstellen abzugeben.

## WICHTIGE SICHERHEITSHINWEISE

### ⚠ **WARNUNG:**

Bei der Verwendung elektrischer Geräte sind die nachfolgenden grundlegenden Sicherheitsvorkehrungen zu beachten, um die Gefahr von Feuer, Stromschlägen und Verletzungen zu vermeiden:

1. Lesen Sie diese Bedienungsanleitung und die Anleitungen des Ladegeräts vor dem Gebrauch sorgfältig durch.
2. Nur mit einem trockenen Lappen reinigen.
3. Stellen Sie das Gerät nicht in der Nähe von Hitzequellen, wie z. B. Heizungen, Herden oder anderen Geräten die Hitze produzieren (z. B. Verstärker) auf.
4. Verwenden Sie lediglich vom Hersteller angegebene Zubehör.
5. Ziehen Sie bei Gewittern oder bei längerer Nichtbenutzung den Stecker aus der Steckdose.
6. Ein batteriebetriebener Lautsprecher mit integrierten Batterien oder einem separaten Akku darf nur mit dem für die Batterie bestimmten Ladegerät aufgeladen werden. Ladegeräte, die für einen bestimmten Typ von Batterie geeignet sind, können beim Gebrauch mit anderen Batterien Feuer verursachen.
7. Verwenden Sie batteriebetriebene Lautsprecher nur mit den speziell dafür vorgegebenen Batterien. Die Verwendung anderer Batterien kann Feuer verursachen.

8. Halten Sie den Akku während des Nichtgebrauchs von anderen Metallgegenständen fern: Büroklammern, Münzen, Schlüssel, Nägel oder andere kleine Metallgegenstände, die eine Verbindung zwischen den Klemmen herstellen können. Ein Kurzschluss der Pole kann Funken, Verbrennungen oder Feuer verursachen.
9. Vermeiden Sie den Körperkontakt mit geerdeten Oberflächen wie Rohre, Heizkörper, Herde und Kühlschränke. Es besteht erhöhte Stromschlaggefahr, falls Ihr Körper geerdet wird.
10. Bei Missbrauch des Geräts kann Flüssigkeit aus der Batterie austreten; Kontakt vermeiden. Bei versehentlichem Kontakt mit Wasser abspülen. Falls Batterieflüssigkeit in die Augen gelangt, suchen Sie einen Arzt auf. Batterieflüssigkeit kann Reizungen und Verbrennungen verursachen.
11. Verwenden Sie Akkus oder Werkzeuge nicht, falls diese beschädigt sind. Mit beschädigten oder modifizierten Batterien können unvorhergesehene Situationen auftreten, die wiederum Explosionen oder Verletzungen verursachen könnten.
12. Schützen Sie Akkus und Instrumente vor Feuer bzw. übermäßigen Temperaturen. Temperaturen über 130°C (266°F) können Explosionen verursachen.
13. Befolgen Sie alle Anleitungen zum Aufladen; laden Sie den Akku oder das Instrument nicht außerhalb des vorgegebenen Temperaturbereichs auf. Falls Sie den Akku unsachgemäß oder außerhalb der richtigen Temperatur aufladen, besteht erhöhte Brandgefahr.
14. Der NETZSTECKER ist die Trennvorrichtung und muss immer zugänglich sein.
15. Verwenden Sie das Produkt nicht über längere Zeiträume mit hoher Lautstärke. Wählen Sie eine moderate Lautstärkeeinstellung, um Gehörschäden zu vermeiden.
16. (Nur für Produkte mit LCD) LCD-Bildschirme enthalten Flüssigkeit, die Hautreizungen und Vergiftung verursachen kann. Falls die Flüssigkeit in Augen, Mund oder auf die Haut gelangt, spülen Sie die betroffenen Stellen mit Wasser ab und wenden Sie sich an einen Arzt.
17. Schützen Sie das Produkt vor Regen oder Feuchtigkeit. Eindringendes Wasser kann die Gefahr von Stromschlägen erhöhen.
18. Dieses Produkt ist nicht geeignet für Personen (einschließlich Kinder) mit eingeschränkten körperlichen, sensorischen oder geistigen Fähigkeiten, oder ohne Erfahrung und Wissen, es sei denn sie werden von einer für ihre Sicherheit zuständigen Person beaufsichtigt oder angeleitet. Kinder müssen beaufsichtigt werden, damit sie nicht mit dem Produkt spielen. Bewahren Sie das Produkt außer Reichweite von Kindern auf.
19. Schützen Sie das Gerät vor Wärme und Feuer. Lassen Sie es nicht an heißen Orten zurück, wie z.B. in der Nähe von Wärmequellen, in direkter Sonneneinstrahlung oder in Fahrzeugen, die in der Sonne stehen. Anderenfalls könnten Feuer oder Explosionen und daraus resultierend Verletzungen verursacht werden.

## **DIESE ANLEITUNGEN GUT AUFBEWAHREN**

### **SPEZIELLE SICHERHEITSHINWEISE FÜR DAS BATTERIEGEHÄUSE**

1. Lesen Sie vor dem Gebrauch des Batteriegehäuses alle Anleitungen und Warnhinweise auf dem Ladegerät (1), der Batterie (2) und dem Produkt (3) durch.
2. Das Batteriegehäuse nicht auseinanderbauen.
3. Falls die Betriebsdauer deutlich nachlässt, beenden Sie umgehend den Gebrauch. Anderenfalls besteht die Gefahr von Überhitzung, Verbrennungen oder sogar Explosionen.
4. Falls Elektrolyt in Ihre Augen gelangt, spülen Sie diese mit klarem Wasser aus und suchen Sie umgehend einen Arzt auf. Anderenfalls besteht die Gefahr, dass Sie Ihr Sehvermögen verlieren.
5. Batteriegehäuse nicht kurzschließen:
  - (1) Lassen Sie die Klemmen nicht mit leitenden Materialien in Kontakt kommen.
  - (2) Bewahren Sie das Batteriegehäuse nicht in einem Behälter mit anderen Metallgegenständen wie Nägeln, Münzen usw. auf.
  - (3) Schützen Sie das Batteriegehäuse vor Wasser und Regen. Der Kurzschluss der Batterie kann einen großen Stromfluss, Überhitzung, Verbrennungen oder sogar einen Ausfall des Geräts verursachen.
6. Bewahren Sie das Gerät und das Batteriegehäuse nicht an Orten mit Temperaturen von über 50°C (122°F) auf.
7. Verbrennen Sie das Batteriegehäuse nicht, auch wenn dieses extrem beschädigt oder vollständig abgenutzt ist. Das Gehäuse könnte in einem Feuer explodieren.
8. Batterie nicht fallenlassen und vor Aufprall schützen.
9. Verwenden Sie die Batterie nicht, falls diese beschädigt ist.
10. Um Gefahren zu vermeiden, lesen Sie vor dem Gebrauch die Bedienungsanleitung des Akkus durch. Der maximale Entladungsstrom der Batterie muss 8A oder höher sein.

11. Die enthaltenen Lithium-Ion-Batterien unterliegen den Vorschriften des Gefahrgutrechts. Während des Transports, z.B. durch Dritte oder Spediteure, sind spezielle Anforderungen auf der Verpackung und den Etiketten zu beachten.  
Vor dem Versand des Produkts muss ein Experte für Gefahrstoffe konsultiert werden. Beachten Sie außerdem national geltende Vorschriften.  
Kleben Sie freiliegende Kontakte ab und verpacken Sie die Batterie so, dass sie nicht in der Verpackung herumrutscht.
12. Zum Entsorgen der Batteriebox entfernen Sie diese aus dem Gerät und entsorgen Sie sie dann an einem sicheren Ort. Beachten Sie alle örtlich geltenden Vorschriften zum Entsorgen von Batterien.
13. Verwenden Sie die Batterien nur mit den von Makita vorgegebenen Produkten. Falls Sie die Batterien in nicht kompatiblen Produkten installieren, können Feuer, Überhitzung und Explosion verursacht werden oder Batterieflüssigkeit austreten.
14. Während längeren Zeiten des Nichtgebrauchs ist die Batterie aus dem Gerät zu entfernen.

**⚠ VORSICHT:**

- **Es besteht Explosionsgefahr, falls Batterien unsachgemäß ausgetauscht werden.**
- **Nur durch den gleichen oder einen gleichwertigen Typ ersetzen.**
- **Verwenden Sie nur echte Makita Batterien. Unechte Makita Batterien oder modifizierte Batterien können zum Zerplatzen der Batterie führen und dadurch Feuer, Verletzungen und Schäden verursachen. In solch einem Fall wird außerdem die Makita Garantie für Makita Instrumente und Ladegeräte nichtig.**

## **Tipps für eine maximale Nutzungsdauer der Batterie**

1. Laden Sie die Batterie auf, bevor diese vollständig entladen ist. Beenden Sie den Betrieb und laden Sie die Batterie auf, wenn die Leistung des Geräts nachlässt.
2. Laden Sie eine vollständig geladene Batterie nicht weiter auf. Überladung verkürzt die Lebensdauer.
3. Laden Sie die Batterie bei einer Umgebungstemperatur von 10°C - 40°C (50°F - 104°F) auf. Lassen Sie ein heißes Batteriegehäuse vor dem Aufladen abkühlen.
4. Laden Sie die Batterie, falls Sie das Gerät längere Zeit (länger als 6 Monate) nicht verwenden werden.



# BETRIEBSDAUER

\* In der nachfolgenden Tabelle sind die für das Gerät geeigneten Batterien aufgelistet.

\* Die nachfolgende Tabelle ist eine Übersicht mit der jeweiligen Betriebsdauer pro Batterieladung.

Batteriekapazität	Spannung Batteriekarte			BEI LAUTSPRECHERAUSGABE = 100mW Einheit: Stunden (Ca.)	
	10.8V-12Vmax	14.4V	18V	Bluetooth	AUX-EINGANG
1.3Ah		BL1415		5.5	6.5
			BL1815	6.0	6.5
1.5Ah	BL1015 BL1016			8.5	9.5
		BL1415N		7.5	8.5
			BL1815N	7.5	8.5
2.0Ah	BL1020B BL1021B			11	12
			BL1820 BL1820B	10	11
3.0Ah		BL1430 BL1430B		13	14
			BL1830 BL1830B	14	16
4.0Ah	BL1040B BL1041B			22	25
		BL1440		20	22
			BL1840 BL1840B	20	22
5.0Ah		BL1450		24	27
			BL1850 BL1850B	26	29
6.0Ah		BL1460B		27	30
			BL1860B	32	35

## **WARNUNG:**

Verwenden Sie nur die oben aufgeführten Batteriekarten. Die Verwendung anderer Batteriekarten kann Verletzungen und/oder Feuer verursachen.

### Hinweis:

- Die Nutzungsdauern in der obigen Tabelle sind nur Richtwerte.
- Die tatsächliche Nutzungsdauer kann je nach Batterie-Typ, Ladebedingungen bzw. Gebrauchsumgebung variieren.

# INSTALLATION UND STROMVERSORGUNG

## ⚠ VORSICHT:

- Achten Sie beim Öffnen und Schließen der Batteriefachabdeckung darauf, Ihre Finger nicht einzuklemmen.
- Bringen Sie die Verriegelung des Batteriefachs nach der Installation oder Entnahme der Batteriehalterung wieder zur Ausgangsposition zurück. Anderenfalls könnte die Batteriehalterung versehentlich aus dem Lautsprecher herausfallen und dadurch Verletzungen verursachen.
- Schließen und sichern Sie die Verriegelung des Batteriefachs, bevor Sie den Lautsprecher umstellen.
- Schalten Sie den Lautsprecher immer aus, bevor Sie die Batteriehalterung installieren oder entfernen.
- Lassen Sie den Lautsprecher nicht herunterfallen und schützen Sie es vor Aufprallen. Ein kaputtes Gehäuse könnte Verletzungen an Fingern und Körper verursachen. Ein beschädigter Lautsprecher kann unvorhersehbar reagieren und als Folge Feuer, Explosionen oder Verletzungen verursachen.
- Halten Sie den Lautsprecher und die Batteriebox während der Installation bzw. Deinstallation der Batterie gut fest. Anderenfalls könnten diese aus Ihren Händen gleiten, wodurch der Lautsprecher und die Batterie beschädigt und Verletzungen verursacht werden könnten.

## WICHTIG:

- Eine abnehmende Leistung, Störgeräusche, „klappernde Geräusche“ sowie die Anzeige „low battery“ sind alles Anzeichen dafür, dass die Batterie ersetzt werden muss.
- Die Batteriehalterung kann nicht über den mitgelieferten AC-Netzadapter aufgeladen werden.
- Die Batteriehalterung ist kein Standardzubehör des Produkts.

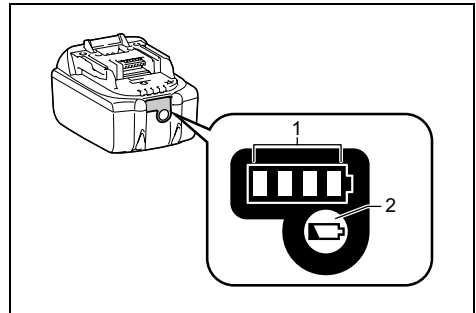
## Batteriegehäuse installieren und entfernen (Abb. 3 und 4)

- Um das Batteriegehäuse zu installieren, richten Sie die Nase am Batteriegehäuse mit der Einkerbung am Gehäuse des Geräts aus und schieben Sie es hinein, bis es mit einem Klickgeräusch einrastet.
- Ist weiterhin der oben auf der Taste befindliche rote Bereich sichtbar, dann ist der Akkublock nicht ganz eingerastet. Setzen Sie den Akkublock vollständig ein, bis der rote Bereich nicht mehr sichtbar ist. Andernfalls kann der Block versehentlich aus dem Gerät fallen und Sie oder Personen in Ihrem Umfeld verletzen.

- Wenden Sie bei der Installation des Batteriegehäuses keine Gewalt an. Falls sich das Batteriegehäuse nicht mühelos hineinschieben lässt, ist es nicht richtig positioniert.
- Zum Entnehmen der Batteriebox schieben Sie diese aus dem Lautsprecher, während Sie auf die Taste an der Vorderseite der Batteriebox drücken.

## Anzeige der verbleibenden Batteriekapazität

\* Nur bei Batteriegehäusen mit „B“ am Ende der Modellnummer



### ➤ 1. Anzeigelampen 2. Test-Taste

Drücken Sie die Test-Taste am Batteriegehäuse, um die verbleibende Batteriekapazität anzuzeigen. Die Anzeigelampen leuchten einige Sekunden lang auf.

### • 14.4V/18V Batterien

Anzeigelampen			Verbleibende Kapazität
Leuchtet	Aus	Blinkt	
■ ■ ■ ■			75% ~ 100%
■ ■ ■ □			50% ~ 75%
■ ■ □ □			25% ~ 50%
■ □ □ □			0% ~ 25%
▣ □ □ □			Batterie aufladen
■ ■ □ □	↑	↓	Mögliche Fehlfunktion der Batterie

● **10,8V-12Vmax Batterien**

Anzeigelampen			Verbleibende Kapazität
Leuchtet	Aus	Blinkt	
■	□	■	75% ~ 100%
■	■	■	50% ~ 75%
■	■	□	25% ~ 50%
■	□	□	0% ~ 25%

**HINWEIS:**

Je nach Gebrauchsbedingungen und Umgebungstemperatur können die Anzeigen leicht von der tatsächlichen Kapazität abweichen.

**Verwendung des mitgelieferten AC-Netzadapters**

Entfernen Sie die Gummikappe und schließen Sie den Adapterstecker an die DC-Buchse rechtes am Lautsprecher an. Schließen Sie dann den Netzadapter an eine Steckdose an. Bei Anschluss des Netzadapters wird der Akku automatisch getrennt.

**⚠ VORSICHT:**

- **Trennen Sie den AC-Netzadapter immer vollständig, bevor Sie den Lautsprecher umstellen. Andernfalls besteht Stromschlaggefahr.**
- **Ziehen Sie niemals am Kabel des Netzadapters. Andernfalls könnte der Lautsprecher herunterfallen und dadurch Verletzungen verursachen.**

**WICHTIG:**

- Der Netzadapter verbindet den Lautsprecher mit dem Netzstrom. Die Steckdose, mit der der Lautsprecher verbunden ist, muss während des normalen Gebrauchs immer zugänglich sein.
- Ziehen Sie den Netzadapter vollständig aus der Steckdose heraus, um den Lautsprecher vom Netzstrom zu trennen.
- Verwenden Sie nur das im Lieferumfang enthaltene bzw. ein von Makita empfohlenes AC-Netzteil.
- Halten Sie weder das Netzkabel noch den Netzstecker an Ihren Mund. Es besteht Stromschlaggefahr.
- Berühren Sie den Netzstecker nicht mit nassen oder fettigen Händen.
- Beschädigte oder verhedderte Kabel erhöhen die Stromschlaggefahr. Falls das Kabel beschädigt ist, lassen sie es von einem autorisierten Kundendienst ersetzen, um Gefahrensituationen zu vermeiden. Benutzen Sie es erst wieder nach der Reparatur.
- Bewahren Sie das AC-Netzteil nach dem Gebrauch

außer Reichweite von Kindern auf. Kinder können sich verletzen, falls sie mit dem Kabel spielen.

**Stromversorgung via USB**

Verwenden Sie diesen Port zum Aufladen eines Handys oder anderer Geräte, die einen DC-Strom von weniger als 2,1A benötigen. Zum Aufladen muss der Lautsprecher eingeschaltet sein.

**Hinweis:**

Vergewissern Sie sich, dass die technischen Spezifikationen Ihres externen Geräts (z.B. Handy oder Player) mit denen des Lautsprechers kompatibel sind. Informieren Sie sich vor dem Aufladen näher in der Bedienungsanleitung Ihres externen Geräts.

**WICHTIG:**

- Bevor Sie ein USB-Gerät mit dem Ladegerät verbinden, sichern Sie immer die Daten des USB-Geräts. Daten können aus unterschiedlichsten Gründen verlorengehen.
- Möglicherweise kann das Ladegerät nicht alle USB-Geräte mit Strom versorgen.
- Trennen Sie das USB-Kabel und schließen Sie die Abdeckung während des Nichtgebrauchs bzw. nach Abschluss des Ladevorgangs.
- Verbinden Sie den USB-Port nicht mit der Stromversorgung. Es besteht Brandgefahr. Der USB-Port ist nur zum Aufladen von Niederspannungsgeräten bestimmt. Installieren Sie immer die Abdeckung auf dem USB-Port, wenn Sie keine Geräte damit aufladen.
- Stecken Sie keine Nägel, Drähte usw. in den USB-Port. Es besteht Rauch- und Brandgefahr.
- Verbinden Sie diesen USB-Anschluss nicht mit dem USB-Port eines PCs; dies könnte zum Ausfall beider Geräte führen.

**MUSIKWIEDERGABE VIA BLUETOOTH-ÜBERTRAGUNG**

Sie müssen zunächst Ihr Bluetooth-Gerät mit dem Lautsprecher koppeln, bevor Sie mit diesem Lautsprecher Musik via Bluetooth abspielen/übertragen können. Durch die Kopplung entsteht eine "Verbindung", damit sich beide Geräte gegenseitig erkennen.

**Hinweis:**

Für eine bessere Sound-Qualität empfehlen wir, die Lautstärke an Ihrem Bluetooth-Gerät mit einer Einstellung von zwei Dritteln und am Lautsprecher je nach Bedarf einzustellen.

**Erstmalige Kopplung mit Ihrem Bluetooth-Gerät**

1. Schalten Sie den Lautsprecher mit der Betriebstaste ein. Im Display erscheint die Anzeige „Pairing“ und weist somit darauf hin, dass der Lautsprecher für

andere Geräte erfassbar ist.

2. Aktivieren Sie an Ihrem externen Gerät gemäß dessen Bedienungsanleitung die Bluetooth-Funktion, um es mit dem Lautsprecher zu koppeln. Öffnen Sie die Bluetooth-Geräteliste und wählen Sie das Gerät „DMR203“. (Einige Handys mit älteren Versionen als BT.2.1 Bluetooth erfordern möglicherweise die Eingabe eines Passworts. Geben Sie in solch einem Fall „0000“ ein).
3. Nach der Verbindung ertönt ein Bestätigungston und im Display erscheint die Anzeige „Paired“. Sie können nun Musikdaten des externen Geräts auswählen und abspielen. Die Lautstärke stellen Sie am externen Gerät oder direkt am Lautsprecher ein.
4. Verwenden Sie die Tasten an Ihrem Bluetooth-fähigen Gerät oder am Lautsprecher, um Titel abzuspielen/zu unterbrechen bzw. zu suchen.

#### **Hinweis:**

- Bei der erstmaligen Kopplung von 2 Bluetooth-Geräten suchen beide Geräte nach dem Lautsprecher; an beiden Geräten wird dessen Verfügbarkeit angezeigt. Sobald jedoch ein Gerät mit dem Lautsprecher verbunden ist, erscheint es nicht mehr in der Geräteliste des zweiten Bluetooth-Geräts.
- Falls Ihr Bluetooth-Gerät vorübergehend vom Lautsprecher getrennt ist, müssen Sie es erneut manuell mit dem Lautsprecher verbinden.
- Falls „DMR203“ in der Geräteliste Ihres Bluetooth-Geräts erscheint, jedoch nicht verbunden werden kann, löschen Sie es aus der Liste und führen Sie die Kopplung erneut anhand der vorher beschriebenen Vorgehensweise durch.
- Die optimale Bluetooth-Übertragungreichweite zum Lautsprecher beträgt ungefähr 10 Meter (30 Fuß) (Sichtlinie), wobei jedoch Reichweiten von bis zu 30 Metern (100 Fuß) möglich sein können.
- Falls die Bluetooth-Verbindung aufgrund einer zu lange andauernden Trennung, einer Überschreitung der optimalen Reichweite oder aufgrund von Hindernissen oder ähnlichem getrennt wurde, müssen das Gerät und der Lautsprecher möglicherweise erneut verbunden werden.
- Gegenstände, schnurlose Geräte oder elektromagnetische Geräte können die Verbindungsqualität beeinflussen.
- Bluetooth-Verbindungsfähigkeit kann je nach verbundenem Bluetooth-Gerät variieren. Informieren Sie sich über die Bluetooth-Fähigkeit Ihres externen Geräts, bevor Sie Ihren Lautsprecher verbinden. Einige gekoppelte Bluetooth-Geräte unterstützen möglicherweise nicht alle Funktionen.

## **Wiedergabe von Audiodateien im Bluetooth-Modus**

Nachdem Sie Ihren Lautsprecher erfolgreich mit einem Bluetooth-Gerät verbunden haben, können Sie Musik unter Verwendung der Tasten am verbundenen Bluetooth-Gerät abspielen.

1. Nach dem Start der Wiedergabe können Sie die Lautstärke mit den Lautstärketasten an Ihrem Lautsprecher oder Ihrem aktivierten Bluetooth-Gerät einstellen.
2. Verwenden Sie die Tasten an Ihrem Bluetooth-Gerät zum Starten/Unterbrechen der Wiedergabe und zur Auswahl von Titeln. Alternativ dazu können Sie die Wiedergabe mit den Tasten Wiedergabe/ Pause, Nächster Titel und Vorheriger Titel an Ihrem Lautsprecher steuern.
3. Halten Sie die Taste Vorspulen oder Zurückspulen gedrückt, um den aktuellen Titel zu durchsuchen. Lassen Sie die Taste los, sobald Sie die gewünschte Stelle gefunden haben.

#### **Hinweis:**

- Möglicherweise reagieren nicht alle Anwendungen oder Geräte auf das Drücken der Tasten.
- Bei einigen Handys wird möglicherweise vorübergehend die Verbindung mit dem Lautsprecher getrennt, während Sie Anrufe tätigen oder entgegennehmen. An einigen Geräten wird die Bluetooth-Übertragung stumm geschaltet, wenn Textnachrichten und E-Mails eingehen oder andere Gründe auftreten, die nicht im Zusammenhang mit der Audioübertragung stehen. Dies liegt an externen Gerät und ist keine Fehlfunktion Ihres Lautsprechers.
- Während der Wiedergabe im Bluetooth-Modus werden im Display Titeldaten wie Name, Künstler, Album, usw. angezeigt.

## **Wiedergabe eines bereits früher gekoppelten Bluetooth-Geräts**

Der DMR203 kann bis zu 8 gekoppelte Geräte speichern. Bei Überschreitung der Anzahl dieses Speichers wird der älteste Speichereintrag überschrieben. Falls Ihr Bluetooth-Gerät bereits zu einem früheren Zeitpunkt mit dem Lautsprecher gekoppelt wurde, erkennt der Lautsprecher das Bluetooth-Gerät und wird immer versuchen, die Verbindung mit dem zuletzt verbundenen Gerät wieder herzustellen. Falls das zuletzt verbundene Gerät nicht verfügbar ist, ist der Lautsprecher nicht erkennbar.

## **Bluetooth-Gerät trennen**

Halten Sie die Bluetooth-Kopplungstaste 2-3 Sekunden gedrückt, bis im Display die Anzeige „Pairing“ erscheint, um Ihr Bluetooth-Gerät zu trennen. Alternativ dazu können Sie die Bluetooth-Funktion an Ihrem Bluetooth-Gerät deaktivieren, um die Verbindung zu trennen.

## Gekoppelte Bluetooth-Geräte löschen

Um den Speicher aller gekoppelten Geräte zu löschen, halten Sie die Bluetooth-Kopplungstaste länger als 5 Sekunden gedrückt, bis zwei Signaltöne ertönen.

## TRUE WIRELESS STEREO (TWS)

Mit der Funktion True Wireless Stereo (TWS) kann ein Gerät schnurlos mit einem anderen Gerät verbunden werden. Verwenden Sie die TWS-Funktion, um einen zweiten DMR203 zu verbinden und so Musik über zwei Lautsprecher abzuspielen.

### Setup des ersten Lautsprechers

1. Vergewissern Sie sich, dass am ersten Lautsprecher Bluetooth aktiviert und dieser mit einem Bluetooth-Gerät verbunden ist.
2. Drücken Sie die Plus-Taste; im Display erscheint **[ST] • [MULTI]** und **[ST]** blinkt. Drücken Sie die Plus-Taste, um den „ST Pair“-Modus aufzurufen. Falls Sie 10 Sekunden lang keine Taste drücken, aktiviert das Gerät ebenfalls den „ST Pair“-Modus. Im Display erscheint die Anzeige „ST Pair“ und „Pair“ blinkt 1 Minute lang.

### Setup des zweiten Lautsprechers

1. Vergewissern Sie sich, dass am zweiten Lautsprecher Bluetooth aktiviert ist.
2. Drücken Sie die Plus-Taste; im Display erscheint **[ST] • [MULTI]** und **[ST]** blinkt. Drücken Sie die Plus-Taste, um den „ST Pair“ aufzurufen. Falls Sie 10 Sekunden lang keine Taste drücken, aktiviert das Gerät ebenfalls den „ST Pair“-Modus. Nach der erfolgreichen Verbindung erscheint im Display beider Lautsprecher gleichzeitig die Anzeige **L - [ST] - R**. Als EQ-Modus wird automatisch Flat eingestellt (Ausgangseinstellung).

#### Hinweis:

Führen Sie den Setup des zweiten Lautsprechers innerhalb von 1 Minute durch. Anderenfalls werden die Einstellungen des ersten Lautsprechers gelöscht.

### Wiedergabe starten

1. Starten Sie die Wiedergabe an dem verbundenen Bluetooth-Gerät und stellen Sie die Lautstärke am externen Gerät oder an einem der beiden Lautsprecher entsprechend ein.

#### Hinweis:

Die Lautstärke- und EQ-Einstellungen (außer Tief-/Mittel-/Hochton) an einem Lautsprecher werden automatisch von dem anderen Lautsprecher übernommen.

2. Verwenden Sie die Tasten an Ihrem Bluetooth-

Gerät zum Starten/Unterbrechen der Wiedergabe und zur Auswahl von Titeln. Alternativ dazu können Sie die Wiedergabe mit den Tasten Wiedergabe/Pause, Nächster Titel und Vorheriger Titel an einem der Lautsprecher steuern. Im Display des ersten Lautsprechers erscheinen Titeldaten wie Name, Künstler, Album, usw.

3. Halten Sie die Taste Vorspulen oder Zurückspulen an einem der Lautsprecher gedrückt, um den aktuellen Titel zu durchsuchen. Lassen Sie die Taste los, sobald Sie die gewünschte Stelle gefunden haben.

### Audiomodus einstellen

1. Während der Verwendung von zwei Lautsprechern können Sie zwischen **L - [ST] - R**, **R - [ST] - R** und **L - [ST] - L** wählen.
2. Drücken Sie die L/R-Taste an einem der beiden Lautsprecher, um den Audiomodus zu ändern.
3. **L - [ST] - R -Modus:** An beiden Lautsprechern wird der gleiche Sound abgespielt (Ausgangseinstellung).
4. **R - [ST] - R und L - [ST] - L :** Im Stereo-Modus erfolgt an einem Lautsprecher die Wiedergabe über den rechten Kanal und an dem anderen Lautsprecher über den linken Kanal.

### TWS-Funktion deaktivieren

Halten Sie die Plus-Taste gedrückt, um die TWS-Funktion zu deaktivieren.

## SCHNURLOSE WIEDERGABE MIT MEHREREN LAUTSPRECHERN

Sie können für die Wiedergabe bis zu 10 kompatible Geräte miteinander verbinden.

### Setup des ersten Lautsprechers

1. Vergewissern Sie sich, dass am ersten Lautsprecher Bluetooth aktiviert und dieses mit einem Bluetooth-Gerät verbunden ist.
2. Drücken Sie die Plus-Taste; im Display erscheint **[ST] • [MULTI]**.
3. Drücken Sie die L/R-Taste zur Auswahl von **[MULTI]**. **[MULTI]** blinkt im Display. Drücken Sie die Plus-Taste, um den „MULTI Pair“-Modus aufzurufen. Falls Sie 10 Sekunden lang keine Taste drücken, wird der „MULTI Pair“-Modus ebenfalls aktiviert. Im Display erscheint die Anzeige „MULTI Pair“ und „Pair“ blinkt 1 Minute lang.

### Verbindung eines zweiten bzw. weiterer Lautsprecher

1. Vergewissern Sie sich, dass an allen Lautsprechern Bluetooth aktiviert ist.

2. Drücken Sie die Plus-Taste; im Display erscheint **[ST] • [MULTI]**.
3. Drücken Sie die L/R-Taste zur Auswahl von **[MULTI]**. **[MULTI]** blinkt im Display. Drücken Sie die Plus-Taste, um den „MULTI Pair“-Modus aufzurufen. Falls Sie 10 Sekunden lang keine Taste drücken, wird der „MULTI Pair“-Modus ebenfalls aktiviert. Nach der erfolgreichen Verbindung erscheint im Display des ersten Lautsprechers die Anzeige „PARENT“ (Primärer Lautsprecher) und an den anderen Lautsprechern die Anzeige „CHILD“ (Sekundärer Lautsprecher). Als EQ-Einstellung wird Flat aktiviert (Ausgangseinstellung).

#### Hinweis:

Verbinden Sie den zweiten oder weitere Lautsprecher innerhalb von 1 Minute. Nach Ablauf von 1 Minute können keine Lautsprecher verbunden werden.

### Weiteren sekundären Lautsprecher hinzufügen

Falls Sie nach der Verbindung einen weiteren sekundären Lautsprecher hinzufügen möchten, gehen Sie wie folgt vor:

1. Vergewissern Sie sich, dass an dem zusätzlichen Lautsprecher Bluetooth aktiviert ist.
2. Drücken Sie die Plus-Taste am primären Lautsprecher; im Display erscheint „MULTI ADD“ und „ADD“ blinkt.
3. Drücken Sie an dem neuen Lautsprecher die Plus-Taste; im Display erscheint **[ST] • [MULTI]**.
4. Drücken Sie die L/R-Taste zur Auswahl von **[MULTI]**. **[MULTI]** blinkt im Display. Drücken Sie die Plus-Taste, um den „MULTI Pair“-Modus aufzurufen. Falls Sie 10 Sekunden lang keine Taste drücken, wird der „MULTI Pair“-Modus ebenfalls aktiviert. Nach der erfolgreichen Verbindung erscheint im Display des neuen Lautsprechers die Anzeige „CHILD“ (Sekundärer Lautsprecher). Als EQ-Einstellung wird Flat aktiviert (Ausgangseinstellung).

### Wiedergabe starten

1. Starten Sie die Wiedergabe an dem verbundenen Bluetooth-Gerät und stellen Sie die Lautstärke am externen Gerät oder an einem der Lautsprecher entsprechend ein. Die Musik wird über alle Lautsprecher abgespielt.

#### Hinweis:

Nur wenn Sie am primären Lautsprecher die Lautstärke oder den EQ-Modus (außer Tief-/Mittel-/Hochton) einstellen, werden diese Einstellungen von den anderen Lautsprechern übernommen. Falls Sie diese Einstellungen an einem anderen Lautsprecher vornehmen, müssen Sie sie an den anderen Lautsprechern individuell konfigurieren.

2. Verwenden Sie die Tasten an Ihrem Bluetooth-Gerät zum Starten/Unterbrechen der Wiedergabe oder zur Auswahl von Titeln. Alternativ dazu können Sie die Wiedergabe mit den Tasten Wiedergabe/Pause, Nächster Titel und Vorheriger Titel am primären Lautsprecher steuern. Im Display des primären Lautsprecher werden Titeldaten wie Name, Künstler, Album, usw. angezeigt.
3. Halten Sie die Taste Vorspulen oder Zurückschleifen gedrückt, um den aktuellen Titel zu durchsuchen. Lassen Sie die Taste los, sobald Sie die gewünschte Stelle gefunden haben.

### Mehrere Lautsprecher trennen

- Falls Sie nur einen sekundären Lautsprecher trennen möchten, halten Sie die Plus-Taste an dem jeweiligen Lautsprecher gedrückt.
- Um alle Lautsprecher voneinander zu trennen und die Lautsprechergruppen aufzulösen, halten Sie die Plus-Taste am primären Lautsprecher gedrückt.

### Equalizer-Funktion

1. Schalten Sie Ihren Lautsprecher mit der Betriebstaste ein.
2. Drücken Sie die Equalizer-Taste zur Auswahl einer Option (FLAT/JAZZ/ROCK/KLASSIK/POP/NACHRICHTEN).
3. Zur Einstellung von Tief-, Mittel- und Hochton drücken Sie die EQ-Taste, bis im Display die Anzeige „Bass“ blinkt.
4. Wählen Sie dann mit den Tasten Lautstärke erhöhen/reduzieren eine Tieftoneinstellung aus. Drücken Sie die EQ-Taste zum Bestätigen; im Display erscheint dann „Mid.“ (Mittelton).
5. Wählen Sie mit den Tasten Lautstärke erhöhen/reduzieren eine Mitteltoneinstellung aus. Drücken Sie die EQ-Taste zum Bestätigen; im Display erscheint dann „Tre.“ (Hochton).
6. Wählen Sie mit den Tasten Lautstärke erhöhen/reduzieren eine Hochtoneinstellung aus. Drücken Sie die EQ-Taste zum Bestätigen.

### Wiedergabe via Aux-Eingang

Der Lautsprecher verfügt an der rechten Seite über einen 3,5mm Aux-Eingang für die Verbindung eines externen Geräts mit Kopfhörer- oder Audiobuchse (z.B. MP3- oder CD-Player).

1. Schließen Sie ein Stereo- oder Mono-Audiogerät (z.B. MP3- oder CD-Player) an den Aux-Eingang („AUX IN“) an; der Lautsprecher deaktiviert automatisch den Bluetooth-Modus und aktiviert den Aux-Eingangsmodus.
2. Stellen Sie zunächst die Lautstärke am MP3-

oder CD-Player ein, um ein adäquates Signal zu gewährleisten, und stellen Sie dann die Lautstärke am Lautsprecher für die Wiedergabe ein.

**Hinweis:**

Im Hinblick auf eine bessere Tonqualität empfehlen wir, am externen Gerät eine hohe Lautstärkeeinstellung (mindestens zwei Drittel) auszuwählen und dann ggf. am Lautsprecher die Lautstärke entsprechend einzustellen. Während der Wiedergabe im Aux-Eingangsmodus werden im Display keine Daten wie Titelname, Künstler, Album, usw. angezeigt.

## WARTUNG

**⚠ VORSICHT:**

- Verwenden Sie niemals Kraftstoff, Benzin, Verdüner, Alkohol oder ähnliches; dies könnte zu Verfärbungen, Verformungen oder Rissen führen.
- Reinigen Sie den Lautsprecher nicht mit Wasser.

## TECHNISCHE DATEN

<b>Verstärker</b>	
Ausgangsleistung	10.8V-12Vmax: 3.5W 14.4V: 6W 18V: 10W
Frequenzbereich	50Hz~20kHz
<b>Aux-Eingang</b>	
Eingangsempfindlichkeit	250mVrms @100Hz
<b>Lautsprecher</b>	
Hauptlautsprecher	101.6mm 8ohm 10W
Tweeter-Lautsprecher	36mm 8ohm 10W

<b>Bluetooth®</b>	
(Die Bluetooth®-Wortmarke und die Bluetooth®-Logos sind eingetragene Marken von Bluetooth SIG, Inc.)	
Bluetooth-Version	5.0 Zertifiziert
Bluetooth-Profil	A2DP/SCMS-T/AVRCP
Übertragungsleistung	Leistungsklasse 2
Übertragungsbereich	Optimum: Max.10 Meter (33 Fuß) Möglich: Max. 30 Meter (100 Fuß) (abhängig von den Gebrauchsbedingungen)
Unterstützter Codec	SBC
Kompatibles Bluetooth-Profil	A2DP/AVRCP
Maximale Radiofrequenzleistung:	BT EDR: 3.08dBm BT LE: 3.88dBm
Betriebsfrequenz	2402MHz~2480MHz

<b>USB-Ladeanschluss</b>	
Max. Leistung des USB-Ports	5V, 2,1A

<b>Allgemein</b>	
AC-Netzteil	DC-Eingang 12V 1,5A, mittlere positive Klemme
Batterie	Steckbatterie: 10.8V-12Vmax 14.4V 18V
Abmessungen (B x H x T)	206mm × 199mm × 217mm
Gewicht	2,7kg (ohne Batterie)

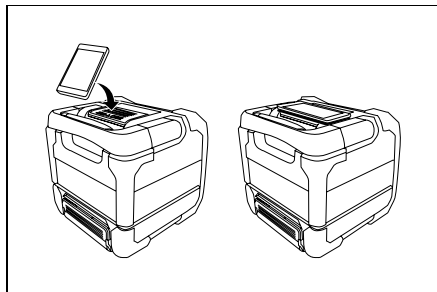
Wir behalten uns das Recht vor, die technischen Daten ohne Vorankündigung zu ändern.

# ITALIANO

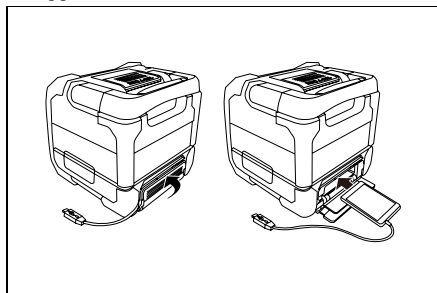
## (Istruzioni Originali)

### Descrizione del prodotto (Fig.1)

1. Vano Batterie/Pannello di Alloggio per Cellulare



2. Maniglia
3. Presa DC-IN
4. Presa Ingresso Ausiliario
5. Presa Ricarica USB
6. Altoparlante
7. Quadrante LCD
8. Tasto Aumento Volume
9. Tasto Diminuzione Volume
10. Tasto Più (tasto abbinamento Più)
11. Tasto Sinistra/Destra
12. Tasto Brano Successivo/Avanzamento Veloce
13. Tasto Avvio/Pausa
14. Tasto Brano Precedente/Riavvolgimento Veloce
15. Tasto Abbinamento Bluetooth
16. Tasto Controllo Equalizzatore
17. Tasto di Accensione
18. Alloggio Cellulare



19. Terminale Batteria 14,4V~18V
20. Terminale Batteria 10,8V~12Vmax
21. Sportello Alloggio Cellulare
22. Foro per Cavo

## LEGENDA

Qui di seguito vengono descritti i simboli usati per l'apparecchio. Accertarsi di comprendere il loro significato prima dell'uso.



Leggere il manuale delle istruzioni.



Solo per i paesi della UE.

Non gettare batterie o dispositivi elettrici con i rifiuti domestici ordinari! Nel rispetto delle Direttive Europee sui Dispositivi Elettrici ed Elettronici di Scarto e sulle Batterie e Accumulatori e sulle Batterie ed Accumulatori di Scarto e la loro implementazione in accordo con le leggi nazionali, i dispositivi elettrici e le batterie al termine del loro ciclo vitale devono essere raccolte separatamente e consegnate a una struttura di riciclaggio nel rispetto dell'ambiente.

## IMPORTANTI ISTRUZIONI PER LA SICUREZZA

### **⚠ AVVERTENZE:**

Quando si usa un utensile elettrico, per ridurre il rischio di incendi, scosse elettriche e infortuni, è necessario seguire alcune precauzioni di base, incluse le seguenti:

1. Prima dell'uso, studiare bene il presente manuale e il manuale delle istruzioni del caricabatteria.
2. Pulire solo con un panno asciutto.
3. Non installare nei pressi di fonti di calore, quali stufe, termosifoni, radiatori o altri apparecchi che producano calore (amplificatori inclusi).
4. Usare esclusivamente gli accessori specificati dal produttore.
5. Staccare la spina dell'apparecchio durante i temporali o se non si intende usarlo per lunghi periodi.
6. Un altoparlante a batterie, integrate o in pacco, va ricaricato esclusivamente utilizzando il caricabatteria specifico per quel tipo di batterie. Un caricabatteria compatibile con altri tipi di batterie può presentare il rischio di incendio se utilizzato con batterie di tipo diverso.
7. L'altoparlante a batterie va usato solo con il tipo di batterie per cui è stato progettato. L'uso di batterie di diverse tipi può comportare il rischio di incendi.
8. Quando il pacco batteria non è in uso, va tenuto separato da altri oggetti in metallo, quali fermagli, monete, chiavi, viti e altri oggetti metallici minuti, che potrebbero mettere in cortocircuito i due poli della batteria, con il rischio di causare scintille, e quindi incendi o ustioni.



## AVVERTENZE PER LA SICUREZZA SPECIFICHE PER IL PACCO DI BATTERIE

9. Evitare il contatto personale con superfici dotate di messa terra, quali tubi, termosifoni, fornelli e frigoriferi. Il rischio di scossa elettrica aumenta notevolmente se il proprio corpo è connesso a una presa a terra.
  10. Se abusate, le batterie potrebbero espellere gli elettroliti al loro interno, il contatto con i quali va evitato. In caso di contatto accidentale, sciacquare con acqua. In caso di contatto con gli occhi, rivolgersi a un medico. Gli elettroliti espulsi dalle batterie possono causare ustioni chimiche o irritazioni.
  11. Non usare batterie o strumenti danneggiati o modificati. Le batterie danneggiate o modificate potrebbero comportarsi in maniera imprevedibile, causando incendi, esplosioni e lesioni.
  12. Non esporre le batterie al fuoco o a temperature sopra i 130°C (266°F), o potrebbero esplodere.
  13. Seguire tutte le istruzioni per la ricarica e non caricare le batterie e gli strumenti a temperature che eccedano quelle indicate nelle istruzioni. Ricaricare in maniera inappropriata o a temperature non consentite può danneggiare la batteria e aumentare il rischio di incendi.
  14. La SPINA dell'apparecchio funge da dispositivo di scollegamento di emergenza, e come tale va mantenuta prontamente accessibile.
  15. Non usare il prodotto ad alto volume per lunghi periodi di tempo. Per preservare l'udito, usare il prodotto a volume moderato.
  16. (Solo per prodotti con quadrante LCD) I quadranti LCD contengono sostanze liquide tossiche ed irritanti. Se il liquido entra in contatto con gli occhi, la bocca o la pelle, sciacquare con acqua e contattare un medico.
  17. Non esporre il prodotto a pioggia o umidità. L'ingresso di acqua nel prodotto può aumentare il rischio di scossa elettrica.
  18. Questo prodotto non è adatto ad essere usato da persone, bambini inclusi, con ridotte capacità fisiche, mentali o sensoriali, o prive della necessaria esperienza e perizia, a meno che non siano istruite e supervisionate da un tutore responsabile per la loro incolumità. I bambini devono essere supervisionati per accertarsi che non giochino con il prodotto. Conservare il prodotto fuori della portata dei bambini.
  19. Non riscaldare o esporre l'altoparlante al fuoco o lasciarlo in luoghi troppo caldi, ad esempio vicino a una fonte di calore, esposto alla luce solare diretta o all'interno di veicoli sotto il sole cocente, in quanto potrebbe incendiarsi o esplodere, provocando gravi lesioni personali.
1. Prima di usare il pacco batteria, leggere tutte le istruzioni e i contrassegni di avvertenza sul pacco batteria (1), sulle batterie (2) e sul prodotto a quale le batterie sono destinate (3).
  2. Non smontare il pacco batteria.
  3. Se la durata delle batterie si riduce eccessivamente, cessarne immediatamente l'uso, onde evitare il rischio di surriscaldamenti, ustioni e perfino esplosioni.
  4. Nel caso gli elettroliti della batteria finiscano negli occhi, sciacquare con acqua pulita e rivolgersi immediatamente a un medico. C'è il rischio di danni alla vista.
  5. Non mettere il pacco batteria in cortocircuito:
    - (1) Non toccare i poli con materiali conduttori;
    - (2) Non riporre il pacco batteria in contenitori con altri oggetti metallici, quali chiodi, monete e simili;
    - (3) Non esporre la batteria ad acqua o umidità. Un cortocircuito della batteria può causare sovraccarichi di tensione, surriscaldamenti, ustioni ed anche guasti.
  6. Non riporre l'apparecchio e il pacco batteria in luoghi con temperature vicine o superiori ai 50°C (122°F).
  7. Non bruciare il pacco batteria, anche se severamente danneggiato o completamente usurato, o potrebbe incendiarsi ed anche esplodere.
  8. Fare attenzione a non sottoporre le batterie ad urti o cadute.
  9. Non usare le batterie se danneggiate.
  10. Per evitare rischi, leggere il manuale delle batterie sostituibili prima dell'uso. L'emissione massima della batteria dovrebbe essere pari o superiore a 8A.
  11. Le incluse batterie agli ioni di litio sono soggette ai requisiti della Legislazione sulle Merci Pericolose. Per il trasporto commerciale da parte di terzi e di spedizionieri è necessario osservare i requisiti speciali riguardanti il confezionamento e l'etichettatura. Per la preparazione alla spedizione di tali articoli è richiesto di consultare un esperto in materiali pericolosi. Osservare inoltre qualsiasi altra legge locale. Isolare con nastro o mascherare i contatti esposti, e fissare la batteria in modo che non si muova all'interno del pacco.
  12. Per disfarti della pacco batteria usato, rimuovilo dall'apparecchio e smaltiscilo in un luogo sicuro. Rispetta le leggi locali in materia di smaltimento delle batterie.
  13. Usare le batterie solo con i prodotti specificati da Makita. Installando le batterie su prodotti non conformi ci si espone al rischio di incendi,

## CONSERVARE QUESTE ISTRUZIONI

surriscaldamento, esplosioni o perdite di elettroliti.

14. Rimuovi la batteria dall'apparecchio se non intendi utilizzarlo per lunghi periodi.

**⚠ ATTENZIONE:**

- **Pericoloso di esplosione se la batteria non è sostituita correttamente.**
- **Sostituire solo con batterie dello stesso modello o equivalenti.**
- **Usare solo batterie Makita originali. L'uso di batterie non originali, o di batterie manomesse comporta il rischio di esplosioni, lesioni personali e danni. Inoltre, inficerebbe la garanzia Makita per lo strumento e il caricabatteria Makita.**

### **Suggerimenti per estendere al massimo la durata complessiva della batteria**

1. Ricaricare il pacco batteria prima che sia del tutto scarico. Se si nota un calo di potenza, cessare sempre l'uso dell'apparecchio e ricaricare le batterie.
2. Non ricaricare mai delle batterie già completamente cariche. L'eccessiva ricarica può compromettere la durata complessiva delle batterie.
3. Ricaricare le batterie a temperatura ambiente 10°C - 40°C (50°F - 104°F). Se calde, lasciarle raffreddare prima di ricaricarle.
4. Ricaricare le batterie se non si intende usarle per lunghi periodi (più di sei mesi).

# AUTONOMIA OPERATIVA

\* I pacchi batterie adatti a questo altoparlante sono elencati nella seguente tabella.

\* La seguente tabella indica l'autonomia per le singole ricariche.

Capacità Batteria	Voltaggio Cartuccia Batteria			USCITA ALTOPARLANTE AT = 100mW Unità: Ora (circa)	
	10,8V~12Vmax	14.4V	18V	Bluetooth	AUX IN
1.3Ah		BL1415		5.5	6.5
			BL1815	6.0	6.5
1.5Ah	BL1015 BL1016			8.5	9.5
		BL1415N		7.5	8.5
			BL1815N	7.5	8.5
2.0Ah	BL1020B BL1021B			11	12
			BL1820 BL1820B	10	11
3.0Ah		BL1430 BL1430B		13	14
			BL1830 BL1830B	14	16
4.0Ah	BL1040B BL1041B			22	25
		BL1440		20	22
			BL1840 BL1840B	20	22
5.0Ah		BL1450		24	27
			BL1850 BL1850B	26	29
6.0Ah		BL1460B		27	30
			BL1860B	32	35

## **ATTENZIONE:**

Usare solo i pacchi batteria sopra elencati. L'uso di qualsiasi altro tipo di pacco batteria espone l'utente al rischio di incendi e lesioni gravi.

### **Nota:**

- La tabella relativa ai tempi operativi della batteria qui sopra riportata vale come riferimento.
- Il tempo operativo reale può variare a seconda del tipo di batteria, delle condizioni di ricarica e dell'ambiente operativo.

# INSTALLAZIONE ED ALIMENTAZIONE

## ⚠ PERICOLO:

- Fare attenzione a non pizzicarsi le dita quando si apre e richiude lo sportello del vano batteria.
- Dopo aver installato o rimosso il pacco batteria, rimettere il pannello del vano batteria nella sua posizione originale, o il pacco batteria potrebbe accidentalmente fuoriuscire dall'altoparlante, con possibile rischio di danni a cose e persone.
- Richiudere sempre e bloccare il pannello del vano batteria prima di spostare l'altoparlante.
- Spegni sempre l'altoparlante prima di installare o rimuovere il pacco batteria.
- Non esporre l'altoparlante ad urti e cadute. Se rotto o spezzato, il materiale dell'involucro del prodotto potrebbe causare ferite all'utente. Se danneggiata, l'altoparlante potrebbe esibire un comportamento anormale e imprevedibile, con rischio di incendio, esplosione e lesioni personali.
- Durante l'installazione o la rimozione della pacco batteria, tieni ben fermo l'altoparlante e il pacco stesso, o quest'ultimo potrebbe scivolarci dalle mani con rischio di lesioni personali e danni all'altoparlante e al pacco batteria.

## IMPORTANTE:

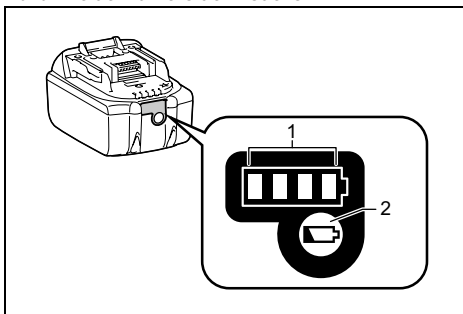
- Riduzione della potenza, distorsioni, "suono spezzettato" o la scritta "batteria scarica" sul quadrante, sono tutti segni che è necessario sostituire la pacco batteria.
- Il pacco batteria non può essere ricaricato usando il l'adattatore AC incluso nella confezione.
- Il pacco batteria non è incluso come accessorio standard.

## Installare o rimuovere il pacco batteria a inserimento (fig. 3 e 4)

- Per installare il pacco delle batterie, allinearne la linguetta con la fessura dell'alloggio, quindi spingerlo all'interno. Inserirlo sempre completamente fino a udire lo scatto.
- Se l'indicatore rosso sul lato superiore del tasto rimane visibile, la batteria non è stata bene inserita. Installarla del tutto, fino alla scomparsa dell'indicatore rosso, o la batteria potrebbe accidentalmente fuoriuscire dall'altoparlante, esponendo l'utente e i terzi al rischio di lesioni.
- Non esercitare eccessiva forza nell'inserire il pacco delle batterie. Se il pacco non entra con facilità, significa che non lo si sta inserendo correttamente.
- Per rimuovere la pacco batteria, premi il tasto sulla sua parte anteriore e fallo scorrere dall'altoparlante.

## Indicatore di livello residuo della batteria

\* Solo per pacchi batterie contrassegnati con "B" alla fine del numero del modello



➤ 1. Indicatore luminoso 2. Tasto di controllo

Premere il tasto di controllo sul pacco delle batterie per verificare il livello di carica residuo. L'indicatore luminoso si accenderà per pochi secondi.

### • Batterie 14,4V~18V

Indicatore luminoso			Livello residuo
■ Acceso	□ Spento	▧ Lampeggiante	
■ ■ ■ ■			75% ~ 100%
■ ■ ■ □			50% ~ 75%
■ ■ □ □			25% ~ 50%
■ □ □ □			0% ~ 25%
▧ □ □ □			Ricaricare le batterie
■ ■ □ □	↑	↓	Possibile avaria delle batterie

### • Batterie 10,8V~12Vmax

Indicatore luminoso			Livello residuo
■ Acceso	□ Spento	▧ Lampeggiante	
■ ■ ■ ■			75% ~ 100%
■ ■ ■ □			50% ~ 75%
■ ■ □ □			25% ~ 50%
■ □ □ □			0% ~ 25%

## NOTA:

Il valore indicato potrebbe variare leggermente dalla capacità effettiva, a seconda delle condizioni d'uso e della temperatura ambientale.

## Uso dell'adattatore CC in dotazione

Rimuovere a protezione in gomma e collegare l'adattatore alla presa CC posta sul lato destro dell'altoparlante, quindi collegare l'adattatore a una presa elettrica standard. Collegando l'adattatore il pacco batteria viene automaticamente disinserito.

### ⚠ **ATTENZIONE:**

- **Scollegare sempre del tutto l'adattatore AC prima di spostare l'altoparlante, per prevenire il rischio di scossa elettrica.**
- **Non tirare o stratonare il cavo dell'adattatore, o l'altoparlante potrebbe accidentalmente cadere e danneggiarsi, rischiando di ferire l'utente e i terzi.**

### **IMPORTANTE:**

- L'adattatore CC serve a collegare l'altoparlante alla rete elettrica. La presa elettrica dell'altoparlante deve essere mantenuta accessibile durante l'uso.
- Per scollegare l'altoparlante, l'adattatore deve essere completamente staccato dalla presa elettrica.
- Usare esclusivamente l'adattatore AC in dotazione con il prodotto o uno specificatamente indicato da Makita.
- Non mettere in bocca il cavo di alimentazione o la spina, o si rischierebbe una scossa elettrica.
- Non toccare la spina con mani umide o unte.
- Un cavo danneggiato o ingarbugliato aumenta il rischio di scossa elettrica. Se il cavo di alimentazione dovesse subire danni, andrà sostituito da un nostro centro di assistenza autorizzato, così da evitare rischi per la sicurezza. Non usare il cavo prima di ripararlo.
- Dopo l'uso, riporre l'adattatore AC al di fuori della portata dei bambini. I bambini non devono giocare con il cavo, o potrebbero farsi male.

## Presa di Alimentazione USB

Questa presa può essere usata per ricaricare un cellulare o un qualsiasi altro dispositivo che utilizza corrente CC con amperaggio inferiore ai 2,1A. La ricarica può essere effettuata solo con l'altoparlante spento.

### **Nota:**

accertarsi che le specifiche tecniche del dispositivo esterno (telefono cellulare o lettore) siano compatibili con l'altoparlante. Prima di eseguire una ricarica, leggere bene il manuale delle istruzioni del dispositivo esterno.

### **IMPORTANTE:**

- Prima di ricaricare un dispositivo con la presa USB, effettuare sempre una copia dei dati in esso

contenuti, onde evitarne la possibile perdita.

- Il caricabatteria potrebbe non essere in grado di ricaricare alcuni dispositivi USB.
- Se non lo si usa, rimuovere il cavo USB e chiudere il coperchio.
- Non collegare l'alimentazione alla porta USB, onde prevenire il rischio di incendi. La porta USB va usata solo con i voltaggi più bassi. Rimettere sempre il coperchio sulla porta USB quando non la si usa.
- Non inserire chiodi, cavi e oggetti simili nella porta USB, o si potrebbe causare un cortocircuito con conseguente rischio di incendio.
- Non collegare la porta USB dell'altoparlante alla porta USB di un computer, in quanto è altamente possibile causare guasti e danni permanenti.

## ASCOLTO DI MUSICA IN STREAMING BLUETOOTH

Per riprodurre brani musicali con l'altoparlante via Bluetooth, si dovrà sincronizzare il proprio dispositivo Bluetooth con l'altoparlante stesso, in modo che i due dispositivi possano riconoscersi l'un l'altro.

### **Nota:**

Per una migliore qualità audio, si consiglia di regolare il volume del proprio dispositivo ad almeno due terzi del massimo, e quindi di regolare il volume dell'altoparlante al livello desiderato.

## SINCRONIZZARE UN NUOVO DISPOSITIVO BLUETOOTH

1. Premere il tasto di accensione per attivare l'altoparlante. La scritta "Abbinamento" apparirà sul quadrante a confermare che l'altoparlante è rilevabile.
2. Attivare Bluetooth sul proprio dispositivo secondo le istruzioni per collegare l'altoparlante contenute nel manuale. Nella lista dei dispositivi Bluetooth rilevati selezionare "DMR203". (Alcuni dispositivi, dotati di una versione precedente alla BT2.1, richiedono di inserire la password "0000").
3. A connessione ultimata verrà emesso un tono di conferma. La scritta "Abbinamento" apparirà sul quadrante. A questo punto basterà selezionare un brano sul dispositivo esterno per riprodurlo dall'altoparlante. Il volume può essere regolato sia dal dispositivo esterno che direttamente dall'altoparlante.
4. Usare i controlli del dispositivo Bluetooth esterno o dell'altoparlante per avviare la riproduzione, metterla in pausa e navigare i brani.

### **Nota:**

- Sincronizzando per la prima volta due dispositivi Bluetooth, entrambi riporteranno l'altoparlante nella lista dei dispositivi rilevati. Tuttavia, collegando uno dei dispositivi, sulla lista dell'altro non sarà più possibile rilevare l'altoparlante.

- Se il proprio dispositivo viene temporaneamente scollegato dall'altoparlante, sarà necessario ricollegarlo manualmente.
- Nel caso l'DMR203 appaia nell'elenco dei dispositivi Bluetooth rilevati, ma sia impossibile stabilire la connessione con esso, cancellarlo dall'elenco e ripetere la sincronizzazione seguendo le istruzioni precedenti.
- Il raggio d'azione ottimale di Bluetooth è di circa 10 metri senza ostacoli, ma può raggiungere i 30 metri.
- Nel caso la connessione Bluetooth venga interrotta a causa dell'eccessivo tempo di separazione, della troppa distanza, della presenza di ostacoli o altro, potrebbe essere necessario ripetere la connessione.
- La qualità della connessione può dipendere dalla presenza di ostacoli fisici, dispositivi Wi-Fi e dispositivi elettromagnetici.
- Le prestazioni della connessione Bluetooth possono variare a seconda dei dispositivi connessi. Fare riferimento alle capacità Bluetooth del dispositivo esterno prima di collegarlo all'altoparlante. Non è possibile garantire il supporto di tutte le funzioni su alcuni dispositivi Bluetooth abbinabili.

## Riproduzione di file audio in modalità Bluetooth

Una volta completata la connessione tra l'altoparlante e il dispositivo Bluetooth esterno, sarà possibile usare i controlli di quest'ultimo per avviare l'ascolto.

1. Una volta avviato l'ascolto, regolare il volume con i controlli dell'altoparlante o del dispositivo Bluetooth esterno.
2. Usa i controlli del dispositivo esterno per riprodurre, mettere in pausa e navigare i brani. In alternativa, controlla la riproduzione utilizzando i pulsanti Avvio/ Pausa, Brano successivo e Brano precedente dell'altoparlante.
3. Tenere premuto il tasto Avanzamento veloce o il tasto Riavvolgimento veloce per spostarsi nel brano corrente. Rilasciare il tasto quando si raggiunge il punto desiderato.

### Nota:

- Non tutte le applicazioni e i dispositivi rispondono a questi controlli.
- Alcuni cellulari potrebbero disconnettersi temporaneamente dall'altoparlante quando si riceve o effettua una chiamata. Alcuni dispositivi potrebbero interrompere temporaneamente il loro segnale audio Bluetooth al ricevimento di messaggi di testo, email o per altre ragioni non relative al segnale audio. Ciò è dovuto a una funzione del dispositivo esterno, e non ad un'avarìa dell'altoparlante.
- Durante la riproduzione via Bluetooth, il quadrante mostrerà le informazioni sul brano: titolo, artista, album, etc.

## COLLEGAMENTO BLUETOOTH CON DISPOSITIVI NOTI

L'altoparlante può memorizzare fino a 8 serie di dispositivi sincronizzati. Quando la memoria si esaurisce, l'ultimo dispositivo sincronizzato verrà sovrascritto. Se si è già sincronizzato l'altoparlante con un dispositivo Bluetooth esterno, la sincronizzazione avverrà in maniera automatica. Nel caso l'ultimo dispositivo connesso non sia disponibile, l'altoparlante apparirà nella lista dei dispositivi rilevati.

## Scollegare il Dispositivo Bluetooth Esterno

Tieni premuto il tasto di abbinamento Bluetooth per 2~3 secondi, fino a leggere "Abbinamento" sul quadrante per scollegare il dispositivo esterno o per disattivare Bluetooth sul dispositivo Bluetooth annullando la connessione.

## Eliminazione dalla memoria dei dispositivi Bluetooth già abbinati

Per cancellare dalla memoria tutti i dispositivi abbinati, tieni premuto il tasto di abbinamento Bluetooth per più di 5 secondi, fino ad udire due segnali acustici.

## FUNZIONE TWS (TRUE WIRELESS STEREO)

La funzione TWS (True Wireless Stereo) consente a un dispositivo di connettersi in modalità wireless con un altro. Può essere usata per il collegamento ad un secondo DMR203 per riprodurre la musica con due altoparlanti.

## Impostazione del primo altoparlante

1. Accertati che il primo altoparlante sia in modalità Bluetooth e collegalo ad un dispositivo Bluetooth.
2. Premere il tasto Più, e sul quadrante apparirà **[ST] • [MULTI]** con **[ST]** lampeggiante. Premere il tasto Più per accedere alla modalità "Abbinamento ST". Non premendo alcun tasto per 10 secondi, l'altoparlante entrerà comunque in modalità "Abbinamento ST". Sul quadrante si leggerà "Abbinamento ST" e "Abbinamento" lampeggerà per un minuto.

## Impostazione del secondo altoparlante

1. Accertati che il secondo altoparlante sia in modalità Bluetooth.
2. Premere il tasto Più, e sul quadrante apparirà **[ST] • [MULTI]** con **[ST]** lampeggiante. Premere il tasto Più per accedere alla modalità "Abbinamento ST". Non premendo alcun tasto per 10 secondi, l'altoparlante entrerà comunque in modalità "Abbinamento ST". A connessione ultimata, **[L] • [ST] • [R]** apparirà su entrambi i quadranti allo stesso tempo. La regolazione

dell'equalizzatore tornerà alla modalità Piatto (regolazione iniziale).

#### Nota:

Impostare il secondo altoparlante entro un minuto, in caso contrario le impostazioni del primo altoparlante verranno annullate.

### Avviare la riproduzione

1. Avviare la riproduzione sul dispositivo esterno collegato via Bluetooth, e regolare il volume sul livello desiderato direttamente dal dispositivo esterno o da uno degli altoparlanti.

#### Nota:

La regolazione del volume o dell'equalizzatore (esclusi i toni Bassi/Medi/Alti) di un diffusore si estende all'altro.

2. Utilizzare i controlli del dispositivo esterno per avviare, mettere in pausa e navigare i brani. In alternativa, controllare la riproduzione utilizzando i pulsanti Avvio/Pausa, Brano successivo e Brano precedente su uno degli altoparlanti. Il quadrante del primo altoparlante mostrerà le informazioni sul brano, come titolo, artista, album, ecc.
3. Tenere premuto uno dei tasti di avanzamento o riavvolgimento veloce su uno degli altoparlanti per spostarsi all'interno del brano corrente. Rilasciare il tasto quando si raggiunge il punto desiderato.

### Inversione della modalità audio

1. Usando due altoparlanti potrai scegliere tra le modalità **L - [ST] - R**, **R - [ST] - L** e **L - [ST] - L**.
2. Premere il tasto Sinistra/Destra su uno degli altoparlanti per passare ad una diversa modalità audio.
3. **Modalità L - [ST] - R**: modalità iniziale con la quale entrambi gli altoparlanti riprodurranno lo stesso audio.
4. **Modalità R - [ST] - R** e **L - [ST] - L**: gli altoparlanti funzioneranno in stereo, uno riprodurrà il canale destro, e l'altro riprodurrà il canale sinistro.

### Disattiva la Funzione TWS

Per disattivare la funzione TWS tenere premuto il tasto Più.

## RIPRODUZIONE WIRELESS CON ALTOPARLANTI MULTIPLI

Questa funzione permette di ascoltare la musica combinando fino a 10 dispositivi compatibili allo stesso tempo.

### Impostazione del primo altoparlante

1. Accertarsi che il primo altoparlante sia in modalità Bluetooth e collegarlo ad un dispositivo Bluetooth.
2. Premi il tasto Più e apparirà **[ST] • [MULTI]**.
3. Selezionare **[MULTI]** con il tasto Sinistro/Destro. Sul quadrante lampeggerà **[MULTI]**. Premere il tasto Più per accedere alla modalità "MULTI Abbinamento". Non premendo alcun tasto per 10 secondi, l'altoparlante entrerà comunque in modalità "MULTI Abbinamento". Sul quadrante si leggerà "MULTI Abbinamento" e "Abbinamento" lampeggerà per un minuto.

### Collegamento del secondo e di altri altoparlanti

1. Accertarsi che tutti gli altoparlanti siano in modalità Bluetooth.
2. Premere il tasto Più, e sul quadrante apparirà **[ST] • [MULTI]**.
3. Selezionare **[MULTI]** con il tasto Sinistro/Destro. Sul quadrante lampeggerà **[MULTI]**. Premere il tasto Più per accedere alla modalità "MULTI Abbinamento". Non premendo alcun tasto per 10 secondi, l'altoparlante entrerà comunque in modalità "MULTI Abbinamento". A connessione ultimata, sul quadrante del primo altoparlante si leggerà "PARENT" (altoparlante principale), mentre sugli altri quadranti si leggerà "CHILD" (altoparlante secondario). La regolazione dell'equalizzatore tornerà alla modalità Piatto (regolazione iniziale).

#### Nota:

collegare il secondo e gli altri altoparlanti entro un minuto dall'impostazione del primo altoparlante, trascorso il quale la connessione non sarà più possibile.

### Aggiunta di un nuovo altoparlante secondario

Eseguire la seguente procedura per collegare un nuovo altoparlante dopo aver ultimato la connessione iniziale:

1. Accertarsi che il nuovo altoparlante sia in modalità Bluetooth.
2. Premere il tasto Più sull'altoparlante principale, il quadrante mostrerà "MULTI ADD" e "ADD" con lampeggiante.
3. Premere il tasto Più sul nuovo altoparlante, il quadrante mostrerà **[ST] • [MULTI]**.
4. Selezionare **[MULTI]** con il tasto Sinistro/Destro. Sul quadrante lampeggerà **[MULTI]**. Premi il tasto Più per accedere alla modalità "MULTI Abbinamento". Non premendo alcun tasto per 10 secondi, l'altoparlante entrerà comunque in modalità "MULTI Abbinamento". A connessione ultimata, sul quadrante del nuovo altoparlante si leggerà "CHILD" (altoparlante secondario). La regolazione dell'equalizzatore tornerà alla modalità Piatto (regolazione iniziale).

## Avvio della riproduzione

1. Avviare la riproduzione sul dispositivo esterno e regolare il volume sul livello desiderato dal dispositivo esterno o dagli altoparlanti. Tutti gli altoparlanti riprodurranno lo stesso segnale audio.

### Nota:

solo per l'altoparlante principale, la regolazione del volume o dell'equalizzatore (esclusi i suoni bassi/medi/alti) sarà sincronizzata con gli altri altoparlanti; per gli altri altoparlanti, regolare il volume o l'equalizzatore individualmente su ciascun altoparlante.

2. Utilizzare i controlli del dispositivo esterno per avviare, mettere in pausa e navigare i brani. In alternativa, controllare la riproduzione utilizzando i pulsanti Avvio/Pausa, Brano successivo e Brano precedente sull'altoparlante principale. Il quadrante dell'altoparlante principale mostrerà le informazioni sul brano, come titolo, artista, album, ecc.
3. Tenere premuto uno dei tasti di avanzamento o riavvolgimento veloce su uno degli altoparlanti per spostarsi all'interno del brano corrente. Rilascia il tasto quando raggiungi il punto desiderato.

## Scollegare gli altoparlanti multipli

- Per scollegare un singolo altoparlante secondario, tieni premuto il suo pulsante Più.
- Per scollegare tutti i collegamenti ed uscire dal gruppo di altoparlanti multipli, tieni premuto il tasto Più dell'altoparlante principale.

## Funzione equalizzatore

1. Premere il tasto di accensione per attivare l'altoparlante.
2. Premere il tasto di controllo dell'equalizzatore per selezionare la modalità richiesta (FLAT/JAZZ/ROCK/CLASSIC/POP/NEWS).
3. Per impostare i suoni bassi, medi e alti, premi il tasto di controllo dell'equalizzatore fin quando "Bassi" non lampeggi sul quadrante.
4. Regolare il livello dei suoni bassi con i tasti Volume Su/Giù. Premere il tasto di controllo dell'equalizzatore per confermare e accedere alla regolazione dei suoni medi.
5. Regolare il livello dei suoni medi con i tasti Volume Su/Giù. Premere il tasto di controllo dell'equalizzatore per confermare e accedere alla regolazione dei suoni alti.
6. Regolare il livello dei suoni alti con i tasti Volume Su/Giù. Premere il tasto di controllo dell'equalizzatore per confermare.

## Riproduzione tramite la presa di ingresso ausiliario

Sul lato destro dell'unità è presente una presa di ingresso ausiliaria da 3,5mm per consentire l'ingresso nell'apparecchio di un segnale audio da un qualsiasi dispositivo dotato di cuffia o uscita audio, come un lettore MP3 o CD.

1. Collegare una sorgente audio stereo o mono (ad esempio, lettore MP3 o CD) alla presa di ingresso ausiliario (contrassegnata con 'AUX IN'), l'altoparlante passerà dalla modalità Bluetooth a quella di ingresso ausiliario.
2. Regolare il controllo del volume sul tuo lettore MP3 o CD per garantire un segnale adeguato, quindi regolare il volume sull'altoparlante per un ascolto confortevole.

### Nota:

Per una migliore qualità del suono, si consiglia di impostare il volume a un livello superiore ai due terzi sul dispositivo audio, e quindi di regolare il volume sull'altoparlante come richiesto.

Durante la riproduzione tramite la presa di ingresso ausiliaria, il quadrante non mostrerà le informazioni come titolo, artista, album, ecc.

## MANUTENZIONE

### ⚠ ATTENZIONE:

- Non applicare mai sul prodotto benzine, solventi, diluenti, alcool e simili, in quanto potrebbero deformarlo, scolorirlo o incrinarlo.
- Non lavare l'altoparlante con acqua.



## SPECIFICHE TECNICHE

<b>Amplificatore</b>	
Potenza in uscita	10,8V~12Vmax: 3.5W 14.4V: 6W 18V: 10W
Risposta in frequenza	50Hz~20kHz
<b>Ingresso Aux-In</b>	
Sensibilità ingresso	250mVrms @100Hz
<b>Altoparlante</b>	
Altoparlante principale	101.6mm 8Ω 10W
Altoparlante suoni alti (tweeter)	36mm 8Ω 10W

<b>Bluetooth®</b>	
(Il marchio Bluetooth® e il relativi logo sono proprietà registrata di Bluetooth SIG, Inc.)	
Versione Bluetooth	5.0 Certificata
Profilo Bluetooth	A2DP/SCMS-T/AVRCP
Trasmissione energia	Energia Classe 2
Raggio d'azione	Ottimale: Max. 10 metri Possibile: Max. 30 metri (varia a seconda delle condizioni)
Codec Supportato	SBC
Profilo compatibilità Bluetooth	A2DP/AVRCP
Potenza massima in frequenza radio	BT EDR: 3.08dBm BT LE: 3.88dBm
Frequenze Operative	2402MHz~2480MHz

<b>Presa per ricarica USB</b>	
Potenza massima in uscita della presa USB	5V – 2,1A

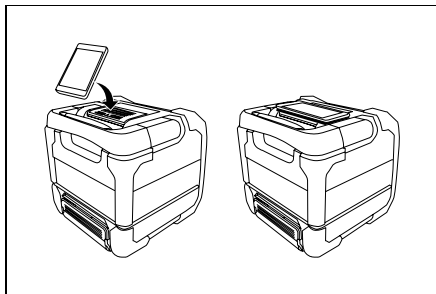
<b>Generali</b>	
Adattatore AC	DC-IN 12V-1,5A spina centrale positiva
Batteria	Batteria scorrevole: 10,8V~12Vmax 14,4V 18V
Dimensioni in mm (LxAxP)	206mm x 199mm x 217mm
Peso	2,7kg (senza batteria)

Il produttore si riserva il diritto di modificare le specifiche tecniche senza preavviso.

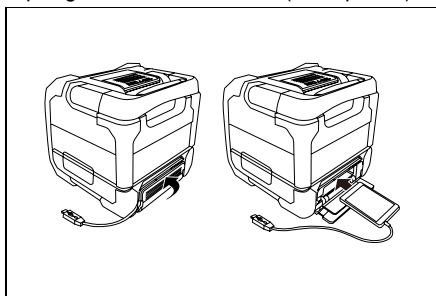
## NEDERLANDS (Originele instructies)

### De luidspreker (Fig.1)

1. Vergrendeling batterijvak/Paneel voor mobiele telefoon



2. Handgreep
3. Stroomingang
4. Aux-ingang
5. USB-oplaadpoort
6. Luidspreker
7. LCD-display
8. Knop Volume verhogen
9. Knop Volume verlagen
10. Knop Plus (Plus-koppelen)
11. Knop L/R
12. Knop Volgende track/vooruitspoelen
13. Knop Afspelen/pauzeren
14. Knop Vorige track/terugspoelen
15. Knop Bluetooth koppelen
16. Knop EQ
17. Knop Power
18. Opslagkast mobiele telefoon (smartphone)



19. 14.4V/18V accuklem
20. 10.8V-12Vmax accuklem
21. Deksel opslagkast mobiele telefoon
22. Kabelgat

## SYMBOLLEN

Hieronder worden de symbolen getoond die worden gebruikt voor de apparatuur. Zorg ervoor dat u de betekenis van de symbolen begrijpt voordat u het apparaat gebruikt.



Lees de handleiding.



Alleen voor EU-landen.

Gooi elektrische apparatuur of accu's niet weg met het huisvuil! Volgens Europese richtlijnen inzake afgedankte elektrische en elektronische apparaten, batterijen, accu's en wegwerpbatterijen en de toepassing daarvan binnen de nationale wetgeving, dienen gebruikte elektrische apparaten en accu's die het einde van hun levensduur hebben bereikt, gescheiden te worden ingezameld en te worden teruggebracht naar een recyclebedrijf dat voldoet aan de geldende milieueisen.

## BELANGRIJKE VEILIGHEIDSINSTRUCTIES

### ⚠ WAARSCHUWING:

Bij het gebruik van elektrisch gereedschap moeten altijd elementaire veiligheidsmaatregelen worden gevolgd, om het risico op brand, elektrische schokken en persoonlijk letsel te beperken, waaronder de volgende:

1. Lees deze handleiding en de handleiding van de oplader vóór gebruik zorgvuldig door.
2. Alleen reinigen met een droge doek.
3. Niet installeren in de buurt van warmtebronnen, zoals radiatoren, kachels of andere apparaten (inclusief versterkers) die warmte produceren.
4. Gebruik alleen accessoires/hulpstukken die door de fabrikant zijn gespecificeerd.
5. Haal de stekker van het apparaat uit het stopcontact tijdens onweer of als het apparaat voor lange tijd niet wordt gebruikt.
6. Een luidspreker die werkt op batterijstroom met ingebouwde batterijen of een losse accu mag alleen worden opgeladen met een oplader die voldoet aan de specificaties van de batterijen of accu. Een oplader die geschikt is voor één soort batterij of accu kan tot brandgevaar leiden indien gebruikt met een ander soort batterij of accu.
7. Gebruik een luidspreker die werkt op batterijen of een accu alleen met specifiek aanbevolen batterijen of accu's. Gebruik van andere batterijen of accu's kan leiden tot brandgevaar.

8. Als de accu niet wordt gebruikt, houd deze dan uit de buurt van andere metalen voorwerpen zoals: paperclips, muntjes, sleutels, spijkers, schroeven of andere kleine metalen objecten die contactpunten van de accu kunnen verbinden. Het kortsluiten van de accupolen kan leiden tot vonken, brandwonden of brand.
9. Vermijd lichamelijk contact met gearde oppervlakken zoals leidingen, radiatoren en koelkasten. Er bestaat een verhoogd risico op elektrische schokken als uw lichaam geaard is.
10. Bij verkeerd gebruik kan vloeistof vrijkomen uit de accu; vermijd contact. Als u per ongeluk in contact komt met deze vloeistof, spoel dan met water. Als er vloeistof in contact komt met de ogen, raadpleeg dan bovendien een arts. Vloeistof die vrijkomt uit de accu kan irritatie of brandwonden veroorzaken.
11. Gebruik geen accu's of gereedschap dat beschadigd of gewijzigd is. Beschadigde of aangepaste accu's kunnen onvoorspelbaar gedrag vertonen, wat kan leiden tot brand, explosies of letsel.
12. Stel accu's of gereedschap niet bloot aan vuur of extreme temperaturen. Blootstelling aan vuur of temperaturen boven 130°C (266°F) kan een explosie veroorzaken.
13. Volg alle instructies m.b.t. het opladen op en laad de accu of het gereedschap nooit op buiten het in de handleiding aangegeven temperatuurbereik. Foutief opladen of opladen bij temperaturen buiten het toegestane temperatuurbereik kan leiden tot schade aan de accu en de kans op brand verhogen.
14. De stekker wordt gebruikt om het apparaat los te koppelen van het lichtnet en moet altijd eenvoudig bereikbaar blijven.
15. Gebruik het product niet gedurende een lange periode op een hoog volume. Gebruik het product op een gematigd volumenniveau.
16. (Alleen voor producten met LCD-display) LCD-displays bevatten vloeistof die irritatie en vergiftiging kan veroorzaken. Als de vloeistof in of op de ogen, mond of huid komt, spoel dan met water en raadpleeg een arts.
17. Stel het product niet bloot aan regen of vochtige omstandigheden. Als er water in het product komt, verhoogt dit de kans op elektrische schokken.
18. Dit product is niet bedoeld voor gebruik door personen (inclusief kinderen) met verminderde lichamelijke, zintuiglijke of mentale vermogens of personen die geen ervaring en/of kennis hebben m.b.t. het apparaat, tenzij zij onder toezicht staan van een voor hun veiligheid verantwoordelijke persoon of instructies m.b.t. het gebruik van het apparaat hebben ontvangen. Houd toezicht op kinderen om ervoor te zorgen dat ze niet met het product spelen. Bewaar het product buiten het bereik van kinderen.
19. Zorg ervoor dat de luidspreker niet te warm wordt, stel de luidspreker niet bloot aan vuur en laat de luidspreker niet achter op een warme locatie, zoals in de buurt van een warmtebron, blootgesteld aan direct zonlicht of in een voertuig in de felle zon. Als u dit toch doet, kan dit brand of een explosie veroorzaken en leiden tot lichamelijk letsel.

## BEWAAR DEZE INSTRUCTIES

### SPECIFIEKE VEILIGHEIDSVORSCHRIFTEN VOOR ACCU

1. Lees, voordat u de accu gebruikt, alle instructies en waarschuwingen op de (1) acculader, de (2) accu en het (3) product dat gebruik maakt van de accu.
2. Demonteer de accu niet.
3. Als de gebruiksduur extreem veel korter is geworden, stop het gebruik dan onmiddellijk. Dit kan leiden tot een risico op oververhitting, mogelijke brandwonden en zelfs een explosie.
4. Als er elektrolyt in uw ogen komt, spoel ze dan met schoon water en raadpleeg onmiddellijk een arts. Het kan leiden tot het verlies van uw gezichtsvermogen.
5. Sluit de accu niet kort:
  - (1) Raak de contactpunten niet aan met geleidende materialen.
  - (2) Bewaar de accu niet in een doos met andere metalen voorwerpen, zoals spijkers, muntjes, etc.
  - (3) Stel de accu niet bloot aan water of regen. Kortsluiting van de accu kan leiden tot een grote stroomafgifte, oververhitting, mogelijke brandwonden en zelfs een defect.
6. Bewaar het gereedschap en de accu niet op plaatsen waar de temperatuur kan oplopen tot of hoger kan zijn dan 50°C (122°F).
7. Verbrand de accu niet, zelfs als de accu ernstig beschadigd of volledig versleten is. De accu kan exploderen in vuur.
8. Wees voorzichtig en laat de accu niet vallen of stoot niet te hard tegen de accu.
9. Maak geen gebruik van beschadigde accu's.
10. Om risico's te voorkomen, moet de handleiding omtrent het vervangen van de accu worden gelezen vóór gebruik. En de maximale stroomontlading van de accu moet groter dan of gelijk aan 8A zijn.
11. De meegeleverde lithium-ion-accu's zijn onderhevig aan de vereisten in de wetgeving omtrent

gevaarlijke stoffen. Voor commercieel transport, bijv. door derden en transporteurs moeten speciale vereisten ten aanzien van verpakking en etikettering worden nageleefd.

Voor het voorbereiden van het te verzenden artikel is het noodzakelijk een expert op het gebied van gevaarlijke stoffen te raadplegen. U moet zich daarnaast aan eventueel strengere nationale regelgeving houden.

Blootliggende contactpunten moeten worden afgedekt met tape en de accu moet zodanig worden verpakt dat deze niet kan bewegen in de verpakking.

12. Wanneer u de accu wilt weggooien, moet u deze uit het gereedschap halen en op een veilige plaats weggooien. Volg de plaatselijke voorschriften met betrekking tot het weggooien van batterijen en accu's.
13. Gebruik de accu alleen in combinatie met de door Makita gespecificeerde producten. Als de accu wordt geïnstalleerd in een niet-conform product, kan dit leiden tot brand, extreme warmte, een explosie of het lekken van elektrolyt.
14. Als het gereedschap gedurende een lange periode niet wordt gebruikt, moet de accu uit het gereedschap worden verwijderd.

#### **LET OP:**

- **Ontploffingsgevaar als de accu onjuist wordt vervangen.**
- **Alleen vervangen door accu van hetzelfde of soortgelijk type.**
- **Gebruik alleen originele accu's van Makita. Het gebruik van niet-originele accu's of accu's die zijn aangepast kan ertoe leiden dat de accu barst en brand, lichamelijk letsel of schade veroorzaakt. Het zal er bovendien toe leiden dat de garantie van Makita op het gereedschap en op oplader vervalt.**

## **Tips voor het behoud van een maximale levensduur van de accu**

1. Laad de accu op voordat deze volledig is ontladen. Stop altijd het gebruik van het gereedschap en laad de accu op als u merkt dat er minder vermogen is.
2. Laad nooit een volledig opgeladen accu op. Overladen verkort de levensduur van de accu.
3. Laad de accu op bij een kamertemperatuur van 10°C - 40°C (50°F - 104°F). Laat een warme accu afkoelen alvorens hem op te laden.
4. Laad de accu op als u deze niet gebruikt voor een lange periode (meer dan zes maanden).

# BEDRIJFSTIJD

\* In de onderstaande tabel vindt u een overzicht van accu's die geschikt zijn voor deze luidspreker.

\* De volgende tabel geeft een indicatie van de gebruiksduur op een enkele lading.

Accucapaciteit	Spanning accu-cartridge			BIJ LUIDSPREKERVERMOGEN = 100mW Eenheid: Uur (bij benadering)	
	10.8V-12Vmax	14.4V	18V	Bluetooth	AUX IN
1.3Ah		BL1415		5.5	6.5
			BL1815	6.0	6.5
1.5Ah	BL1015 BL1016			8.5	9.5
		BL1415N		7.5	8.5
			BL1815N	7.5	8.5
2.0Ah	BL1020B BL1021B			11	12
			BL1820 BL1820B	10	11
3.0Ah		BL1430 BL1430B		13	14
			BL1830 BL1830B	14	16
4.0Ah	BL1040B BL1041B			22	25
		BL1440		20	22
			BL1840 BL1840B	20	22
5.0Ah		BL1450		24	27
			BL1850 BL1850B	26	29
6.0Ah		BL1460B		27	30
			BL1860B	32	35

## WAARSCHUWING:

Gebruik alleen de hierboven vermelde accu-cartridges. Gebruik van andere accu-cartridges kan leiden tot letsel en/of brand.

### Opmerking:

- De tabel betreffende gebruiksduur hierboven dient ter referentie.
- De werkelijke gebruiksduur kan variëren, afhankelijk van het soort accu, de oplaadomstandigheden en de gebruiksomgeving.

# INSTALLATIE EN VOEDING

## ⚠ LET OP:

- Pas op dat uw vingers niet bekneld raken bij het openen en sluiten van het accudeksel.
- Plaats de vergrendeling van het accuvak terug in de oorspronkelijke stand na het installeren of verwijderen van de accu-cartridge. Als u dit niet doet, kan de accu-cartridge per ongeluk uit de luidspreker vallen en letsel veroorzaken bij u of anderen in uw omgeving.
- Sluit en vergrendel het de vergrendeling van het accuvak altijd voordat u de luidspreker verplaatst.
- Schakel de luidspreker altijd uit alvorens de accu-cartridge te installeren of verwijderen.
- Wees voorzichtig en zorg ervoor dat u de luidspreker niet per ongeluk laat vallen of een klap geeft. Een kapotte behuizing kan in uw vinger of lichaam snijden. Een beschadigde luidspreker kan onvoorspelbaar gedrag vertonen en leiden tot brand, explosies en letselgevaar.
- Houd de luidspreker en de accu stevig vast wanneer u de accu plaatst of verwijdert. Als u de luidspreker en de accu niet stevig vasthoudt, kan dit ertoe leiden dat deze uit uw handen glijden met schade aan de luidspreker of de accu en lichamelijk letsel tot gevolg.

## BELANGRIJK:

- Een lager vermogen, vervorming, 'stotterend geluid' of de melding 'batterij bijna leeg' ('low battery') op het display zijn allemaal tekenen dat de accu moet worden vervangen.
- De accu-cartridge kan niet worden opgeladen met de meegeleverde netadapter.
- De accu-cartridge wordt niet meegeleverd als standaardaccessoire.

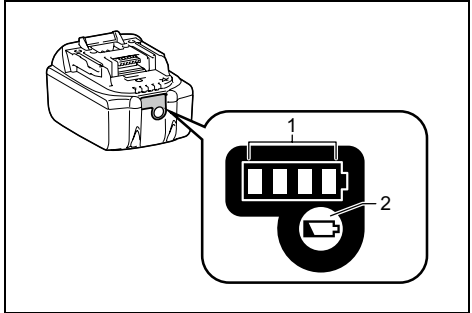
## Installeren of verwijderen van de accu (fig. 3 en 4)

- Installeer de accu door de tong op de accu uit te lijnen met de groef in de behuizing en de accu vervolgens op zijn plaats te schuiven. Schuif de accu altijd volledig naar binnen tot deze vastklikt met een klein klikgeluid.
- Als u het rode deel aan de bovenkant van de knop kunt zien, is de accu niet goed aangebracht. Breng de accu zo ver mogelijk aan tot het rode deel niet meer zichtbaar is. Als u dit niet doet, kan de accu per ongeluk uit de luidspreker vallen en letsel veroorzaken bij u of anderen in uw omgeving.
- Gebruik geen kracht bij het installeren van de accu. Als de accu niet eenvoudig naar binnen geschoven kan worden, dan wordt de accu niet correct geïnstalleerd.

- Als u de accu wilt verwijderen, schuif deze dan uit de luidspreker terwijl u op de knop op de voorkant van de accu drukt.

## Indicatie van de resterende accucapaciteit

- \* Alleen voor accu's met een "B" aan het einde van het modelnummer










### ➤ 1. Indicatorlampjes 2. Controleknop

Druk op de controleknop op de accu om de resterende accucapaciteit weer te geven. De indicatorlampjes lichten voor een paar seconden op.

### • 14.4V/18V-accu's

Indicatorlampjes			Resterende capaciteit
Opgelicht	Uit	Knippert	
■ ■ ■ ■			75% ~ 100%
■ ■ ■ □			50% ~ 75%
■ ■ □ □			25% ~ 50%
■ □ □ □			0% ~ 25%
⚡ □ □ □			Laad de accu op
■ ■ □ □	↑	■ ■	Er heeft mogelijk een storing opgetreden in de accu

● **10.8V-12Vmax accu's**

Indicatorlampjes			Resterende capaciteit
 Opgelicht	 Uit	 Knippert	
			75% ~ 100%
			50% ~ 75%
			25% ~ 50%
			0% ~ 25%

**OPMERKING:**

Afhankelijk van de gebruiksomstandigheden en de omgevingstemperatuur kan de indicatie enigszins afwijken van de werkelijke capaciteit.

**De meegeleverde netadapter gebruiken**

Verwijder de rubberen bescherming en steek de stekker van de adapter in de DC-aansluiting op de rechterkant van de luidspreker. Steek de adapter in een normaal stopcontact. Als de adapter wordt gebruikt, wordt gebruik van accustroom automatisch uitgeschakeld.

**⚠ LET OP:**

- **Trek de netadapter altijd volledig uit het stopcontact alvorens de luidspreker te verplaatsen. Als de netadapter niet uit het stopcontact wordt getrokken, kan dit leiden tot elektrische schokken.**
- **Trek nooit aan snoer van de netadapter. Als u dit toch doet, kan de luidspreker per ongeluk omvallen en letsel veroorzaken bij u of anderen in uw omgeving.**

**BELANGRIJK:**

- De lichtnetadapter wordt gebruikt om de luidspreker te verbinden met het lichtnet. Tijdens normaal gebruik dient de lichtnetadapter van de luidspreker in het stopcontact te blijven zitten.
- Om de luidspreker los te koppelen van het lichtnet moet de netadapter volledig uit het stopcontact worden getrokken.
- Gebruik uitsluitend de netadapter die met het product is meegeleverd of een netadapter die voldoet aan de specificaties van Makita.
- Houd het netsnoer en de stekker niet vast met uw mond. Als u dit toch doet, kan dit leiden tot een elektrische schok.
- Raak de stekker niet aan met natte of vette handen.
- Beschadigde of verstrikte snoeren verhogen de kans op elektrische schokken. Als het netsnoer is beschadigd, laat het dan vervangen door ons erkende servicecentrum om veiligheidsgevaar te

vermijden. Gebruik het netsnoer niet alvorens het te laten repareren.

- Bewaar de netadapter na gebruik altijd buiten het bereik van kinderen. Als kinderen spelen met het netsnoer, kan dit leiden tot letsel.

**USB-poort voor opladen**

Deze USB-poort kan worden gebruikt om een mobiele telefoon of ander apparaat dat minder dan 2,1A gelijkstroom gebruikt op te laden. Er kan alleen worden opgeladen als de luidspreker is ingeschakeld.

**Opmerking:**

Controleer de specificaties van uw externe apparaat, zoals mobiele telefoon of speler, om er zeker van te zijn dat het apparaat compatibel is met de luidspreker. Lees de handleiding van uw externe apparaat alvorens het op te laden.

**BELANGRIJK:**

- Maak, voordat u het USB-apparaat aansluit op de USB-poort, altijd een backup van de data op het USB-apparaat. Anders bestaat er de mogelijkheid dat de data verloren gaat.
- Het is mogelijk dat de USB-poort niet aan alle USB-apparaat stroom kan leveren.
- Als u de USB-poort niet gebruikt, verwijder de USB-kabel dan en sluit het deksel.
- Sluit geen stroombron aan op de USB-poort. Als u dit toch doet, is er brandgevaar. De USB-poort is alleen bedoeld voor het opladen van apparaten met een lagere spanning. Plaats het deksel altijd op de USB-poort als u geen apparaat met een lagere spanning oplaadt.
- Steek geen spijker, draad, etc. in de USB-poort. Als u dit toch doet, kan er kortsluiting ontstaan en dit kan leiden tot rook en brand.
- Sluit deze USB-poort niet aan op een USB-poort van uw PC, omdat het zeer waarschijnlijk is dat dit zal leiden tot een defect aan een van beide of beide apparaten.

**LUISTEREN NAAR MUZIEK VIA BLUETOOTH-STREAMING**

U moet uw Bluetooth-apparaat koppelen met de luidspreker voordat u automatisch verbinding kunt maken en Bluetooth-muziek kunt afspelen/streamen via de luidspreker. Koppelen creëert een 'band', zodat twee apparaten elkaar kunnen herkennen.

**Opmerking:**

Voor een betere geluidskwaliteit raden we aan het volume op uw Bluetooth-apparaat op minimaal tweederde van het maximale niveau in te stellen en daarna de volumeregeling van de luidspreker te gebruiken om het volume naar wens in te stellen.

## Uw Bluetooth-apparaat voor het eerst koppelen met de luidspreker

1. Druk op de knop Power om de luidspreker in te schakelen. De melding 'Koppelen' ('Pairing') verschijnt op het display om aan te geven dat de luidspreker gedetecteerd kan worden.
2. Activeer de Bluetooth® op uw apparaat, zie hiervoor de handleiding van uw apparaat. Zoek naar beschikbare apparaten voor koppeling. Uw luidspreker zal zich melden als "DMR203." (op uw apparaat. Indien uw apparaat over een oudere versie van Bluetooth® beschikt dan versie BT2.1, is het mogelijk dat uw apparaat vraagt om een wachtwoord. Voer dan "0000" in).
3. Zodra de apparaten zijn verbonden, klinkt er een bevestigingston. De melding 'Gekoppeld' ('Paired') verschijnt op het display. U kunt nu gewoon muziek selecteren en afspelen vanaf uw bronapparaat. Het volume kan worden ingesteld op uw bronapparaat of rechtstreeks op de luidspreker.
4. Gebruik de bediening op uw apparaat of op de luidspreker om de door u gewenste muziek te kiezen.

### Opmerking:

- Als er voor de eerste keer wordt gekoppeld en er 2 Bluetooth-apparaten naar uw luidspreker zoeken, dan wordt de luidspreker op beide apparaten als beschikbaar getoond. Als er echter één apparaat verbinding maakt met de luidspreker, zal het andere Bluetooth-apparaat de luidspreker niet meer vinden in de lijst.
- Als uw Bluetooth-apparaat tijdelijk de verbinding met de luidspreker verliest, dan moet u handmatig de verbinding tussen uw apparaat en de luidspreker herstellen.
- Als 'DMR203' wordt getoond in uw Bluetooth-apparaatlijst, maar uw Bluetooth-apparaat geen verbinding kan maken met de luidspreker, verwijder het item dan uit uw lijst en koppel nogmaals met de luidspreker door de hierboven beschreven stappen te volgen.
- Het optimale Bluetooth-streambereik is ongeveer 10 meter (30 voet) (zichtlijn) naar de luidspreker, maar afstanden tot 30 meter (100 voet) zijn mogelijk.
- Het is mogelijk dat u opnieuw verbinding moet maken indien de Bluetooth-verbinding wordt verbroken door het overschrijden van de scheidingstijd, het overschrijden van de optimale afstand, obstakels of vanwege andere redenen.
- Fysieke obstakels, andere draadloze apparaten of elektromagnetische apparaten kunnen de verbindingsskwaliteit beïnvloeden.
- Bluetooth® verbindingen prestaties kunnen variëren afhankelijk van de verbonden apparaten. Raadpleeg de Bluetooth® mogelijkheden van uw apparaat voordat

u deze aansluit op uw luidspreker. Voor sommige verbonden Bluetooth® apparaten kan het zijn dat niet alle functies ondersteund worden.

## Het afspelen van geluidsbestanden in de Bluetooth® modus

Indien de verbinding tussen de luidspreker en uw Bluetooth® apparaat succesvol tot stand gebracht is, kunt u de muziek van uw apparaat afspelen door middel van de bedieningstoetsen op uw verbonden apparaat.

1. Stel het volume, zodra het afspelen is gestart, naar wens in met behulp van de volumeknoppen op uw luidspreker of op uw Bluetooth-apparaat.
2. Gebruik de bedieningselementen op uw Bluetooth-apparaat om het afspelen te starten/pauzeren en de gewenste track te selecteren. Als alternatief kunt u het afspelen bedienen met behulp van de knoppen Afspelen/pauzeren, Volgende track en Vorige track op uw luidspreker.
3. Houd de knop Vooruitspoelen of Terugspoelen ingedrukt om vooruit of terug te spoelen in de huidige track. Laat de knop los wanneer het gewenste punt is bereikt.

### Opmerking:

- Het is mogelijk dat niet alle afspeelapplicaties of apparaten reageren op alle bedieningselementen.
- Sommige mobiele telefoons kunnen de verbinding met de luidspreker verbreken wanneer er oproepen worden gemaakt of ontvangen. Sommige apparaten kunnen het geluid van de Bluetooth-audiostream tijdelijk uitschakelen wanneer er sms'jes of emails worden ontvangen of omwille van andere redenen die niets met het streamen van audio te maken hebben. Dergelijk gedrag is een functie van het Bluetooth-apparaat en duidt niet op een fout met uw luidspreker.
- Het display toont tijdens het afspelen in de Bluetooth-modus informatie over de track, zoals de titel, de artiest, het album, etc.

## Afspelen met een eerder gekoppeld Bluetooth-apparaat

Uw luidspreker kan tot acht verschillende gekoppelde apparaten onthouden. Wanneer daarna een nieuw apparaat gekoppeld zal worden zal de oudst bekende koppeling overschreven worden.

Als uw Bluetooth® apparaat al eerder gekoppeld was met de luidspreker, dan zal de luidspreker dit herkennen, en gewoon verbinden met dit apparaat. Als deze verbinding niet zal slagen, zal de luidspreker in detectie modus schakelen.



## Loskoppelen van uw Bluetooth apparaat

Houd de knop Bluetooth koppelen 2-3 seconden ingedrukt, totdat de melding 'Koppelen' ('Pairing') wordt weergegeven op het display, om de verbinding met uw Bluetooth-apparaat te verbreken of schakel Bluetooth uit op uw Bluetooth-apparaat om de verbinding uit te schakelen.

## Gekoppelde Bluetooth-apparaten uit het geheugen verwijderen

Als u het geheugen van alle gekoppelde apparaten wilt wissen, houdt u de knop Bluetooth koppelen langer dan 5 seconden ingedrukt totdat u twee pieptonen hoort.

## TRUE WIRELESS STEREO-FUNCTIE (TWS)

True Wireless Stereo (TWS) is een functie waarmee een apparaat draadloos verbinding kan maken met een ander apparaat. U kunt de TWS-functie gebruiken om de luidspreker te verbinden met een tweede DMR203 en uw muziek via twee luidsprekers afspelen.

### De eerste luidspreker instellen

1. Zorg ervoor dat de eerste luidspreker zich in de Bluetooth-modus bevindt en maak verbinding met een Bluetooth-apparaat.
2. Druk op de knop Plus, het display geeft **[ST] • [MULTI]** weer. **[ST]** knippert op het display. Druk op de knop Plus om over te schakelen naar de ST-koppelingsmodus. Als er gedurende 10 seconden geen knoppen worden ingedrukt, schakelt de luidspreker ook over naar de ST-koppelingsmodus. Het display toont de melding 'ST koppelen' ('ST Pair') en 'koppelen' ('Pair') knippert 1 minuut.

### De tweede luidspreker instellen

1. Zorg ervoor dat er een tweede luidspreker is die zich in de Bluetooth-modus bevindt.
2. Druk op de knop Plus, het display geeft **[ST] • [MULTI]** weer. **[ST]** knippert op het display. Druk op de knop Plus om over te schakelen naar de ST-koppelingsmodus. Als er gedurende 10 seconden geen knoppen worden ingedrukt, schakelt de luidspreker ook over naar de ST-koppelingsmodus. Wanneer de verbinding succesvol tot stand is gebracht, wordt **[L] • [ST] • [R]** tegelijkertijd op beide displays weergegeven. De EQ-instelling wordt hersteld naar de vlakke modus (standaardinstelling).

#### Opmerking:

Stel de tweede luidspreker binnen 1 minuut in. Als u de tweede luidspreker niet binnen 1 minuut instelt, wordt de instelling van de eerste luidspreker geannuleerd.

## Het afspelen starten

1. Start het afspelen op het verbonden Bluetooth-apparaat en stel het volume naar wens in op het Bluetooth-apparaat of een van de luidsprekers.  
**Opmerking:**  
Wanneer het volume of de EQ (met uitzondering van Bass/Middle/Treble) wordt aangepast op één luidspreker, dan worden deze aanpassingen ook doorgevoerd op de andere luidspreker.
2. Gebruik de bedieningselementen op uw Bluetooth-apparaat om het afspelen te starten/pauzeren en de gewenste track te selecteren. Als alternatief kunt u het afspelen bedienen met behulp van de knoppen Afspelen/pauzeren, Volgende track en Vorige track op een van de luidsprekers. Het display op de eerste luidspreker toont informatie over de track, zoals de titel, de artiest, het album, etc.
3. Houd de knop Vooruitspoelen of Terugspoelen op een van de luidsprekers ingedrukt om vooruit of terug te spoelen in de huidige track. Laat de knop los wanneer het gewenste punt is bereikt.

## De audiomodus selecteren

1. Als u twee luidsprekers gebruikt, kunt u schakelen tussen de **[L] • [ST] • [R]** -, **[R] • [ST] • [R]** -en **[L] • [ST] • [L]** -modus.
2. Druk op de knop L/R op een van beide luidsprekers om de audiomodus te wijzigen.
3. **[L] • [ST] • [R] -modus:** beide luidsprekers spelen hetzelfde geluid af. Dit is de standaardinstelling.
4. **[R] • [ST] • [R] -en [L] • [ST] • [L] -modus:** één luidspreker speelt het geluid op het rechterkanaal af, terwijl de andere luidspreker het geluid op het linker kanaal afspeelt. Zo wordt het geluid in stereo weergegeven door de beide luidsprekers.

## De TWS-verbinding verbreken

Houd de knop Plus ingedrukt om de TWS-verbinding te verbreken.

## GENIETEN VAN DRAADLOOS AFSPLEN MET MEERDERE LUIDSPREKERS

U kunt van muziek genieten door tegelijkertijd tot 10 apparaten te combineren die compatibel zijn met de TWS-functie.

### De eerste luidspreker instellen

1. Zorg ervoor dat de eerste luidspreker zich in de Bluetooth-modus bevindt en maak verbinding met een Bluetooth-apparaat.
2. Druk op de knop Plus, het display geeft **[ST] • [MULTI]** weer.

3. Selecteer **[MULTI]** door op de knop L/R te drukken. **[MULTI]** knippert op het display. Druk op de knop Plus om over te schakelen naar de MULTI-koppelingsmodus. Als er gedurende 10 seconden geen knoppen worden ingedrukt, schakelt de luidspreker ook over naar de MULTI-koppelingsmodus. Het display toont de melding 'MULTI koppelen' ('MULTI Pair') en 'koppelen' ('Pair') knippert 1 minuut.

## Twee of meer luidsprekers verbinden

1. Zorg ervoor dat alle luidsprekers zich in de Bluetooth-modus bevinden.
2. Druk op de knop Plus, het display geeft **[ST] : [MULTI]** weer.
3. Selecteer **[MULTI]** door op de knop L/R te drukken. **[MULTI]** knippert op het display. Druk op de knop Plus om over te schakelen naar de MULTI-koppelingsmodus. Als er gedurende 10 seconden geen knoppen worden ingedrukt, schakelt de luidspreker ook over naar de MULTI-koppelingsmodus. Wanneer de verbinding succesvol tot stand is gebracht, toont het display op de eerste luidspreker de melding "PARENT" (primaire luidspreker), terwijl de displays op de andere luidsprekers de melding "CHILD" (secundaire luidspreker) tonen. De EQ-instelling wordt hersteld naar de vlakke modus (standaardinstelling).

### Opmerking:

Als u twee of meer luidsprekers wilt verbinden, zorg er dan voor dat de luidsprekers binnen 1 minuut na het instellen van de eerste luidspreker worden verbonden. Na 1 minuut kunnen de luidsprekers niet meer worden verbonden.

## Een nieuwe secundaire luidspreker toevoegen

Als u na het verbinden nog een luidspreker wilt toevoegen, volg dan de onderstaande stappen:

1. Zorg ervoor dat de luidspreker die u wilt toevoegen zich in de Bluetooth-modus bevindt.
2. Druk op de knop Plus op de primaire luidspreker, het display toont de melding 'MULTI TOEVOEGEN' ('MULTI ADD') en 'TOEVOEGEN' ('ADD') knippert op het display.
3. Druk op de knop Plus op de luidspreker die u wilt toevoegen, het display geeft **[ST] : [MULTI]** weer.
4. Selecteer **[MULTI]** door op de knop L/R te drukken. **[MULTI]** knippert op het display. Druk op de knop Plus om over te schakelen naar de MULTI-koppelingsmodus. Als er gedurende 10 seconden geen knoppen worden ingedrukt, schakelt de luidspreker ook over naar de MULTI-koppelingsmodus. Wanneer de verbinding succesvol tot stand is gebracht, toont het display van de luidspreker die u juist hebt toegevoegd de melding "CHILD" (secundaire luidspreker). De EQ-instelling wordt hersteld naar de vlakke modus

(standaardinstelling).

## Het afspelen starten

1. Start het afspelen op het verbonden Bluetooth-apparaat en stel het volume naar wens in op het Bluetooth-apparaat of de luidsprekers. Dezelfde muziek wordt via alle luidspreker afgespeeld.  
**Opmerking:**  
Alleen wanneer het volume of de EQ (met uitzondering van Bass/Middle/Treble) op de primaire luidspreker wordt aangepast, worden deze aanpassingen ook doorgevoerd op de andere luidsprekers. U kunt het volume of de EQ op de andere luidsprekers individueel op elke luidspreker aanpassen.
2. Gebruik de bedieningselementen op uw Bluetooth-apparaat om het afspelen te starten/pauzeren en de gewenste track te selecteren. Als alternatief kunt u het afspelen bedienen met behulp van de knoppen Afspelen/pauzeren, Volgende track en Vorige track op de primaire luidspreker. Het display op de primaire luidspreker toont informatie over de track, zoals de titel, de artiest, het album, etc.
3. Houd de knop Vooruitspoelen of Terugspoelen op de primaire luidspreker ingedrukt om vooruit of terug te spoelen in de huidige track. Laat de knop los wanneer het gewenste punt is bereikt.

## De verbinding verbreken bij gebruik van meerdere luidsprekers

- Als u de verbinding met slechts één secundaire luidspreker wilt verbreken, houd de knop Plus op deze luidspreker dan ingedrukt.
- Als u alle verbindingen wilt verbreken en de luidsprekergroep wilt opheffen, houd de knop Plus op de primaire luidspreker dan ingedrukt.

## Equalizerfunctie

1. Druk op de knop Power om uw luidspreker in te schakelen.
2. Druk op de knop EQ om de gewenste EQ-modus te selecteren (VLAK/JAZZ/ROCK/KLASSIEK/POP/NIEUWS).
3. Als u het niveau van de bass, middentonen en treble wilt instellen, druk dan op de knop EQ totdat 'Bass' knippert op het display.
4. Druk op de knop voor het verhogen/verlagen van het volume om het gewenste bass-niveau (niveau van de lage tonen) te selecteren. Druk vervolgens op de knop EQ om de instelling te bevestigen en over te schakelen naar het instellen van de middentonen ('Mid.').
5. Druk op de knop voor het verhogen/verlagen van het volume om het gewenste niveau voor de middentonen te selecteren. Druk op de knop EQ om

de instelling te bevestigen en over te schakelen naar het instellen van het treble-niveau ('Tre.').

6. Druk op de knop voor het verhogen/verlagen van het volume om het gewenste treble-niveau (niveau van de lage tonen) te selecteren. Druk op de knop EQ om de instelling te bevestigen.

## Muziek afspelen via de aux-ingang

Er zit een 3,5mm-aux-ingang op de rechterkant van het apparaat waarmee het audiosignaal van een apparaat met hoofdtelefoon- of audio-uitgang (zoals een mp3- of cd-speler) kan worden verstuurd naar de luidspreker.

1. Sluit een stereo- of mono-audiobron (bijvoorbeeld een mp3- of cd-speler) aan op de aux-ingang (gemarkeerd met 'AUX IN'). De luidspreker schakelt nu over van de Bluetooth- naar de Aux-modus.
2. Stel het volume in op uw mp3- of cd-speler om te zorgen voor een adequaat signaal en gebruik vervolgens de volumeregeling op de luidspreker om het volume op een comfortabel niveau in te stellen.

### Opmerking:

Voor een betere geluidskwaliteit wordt aanbevolen het volume op uw audioapparaat te verhogen tot meer dan tweederde van het maximale niveau en vervolgens het volume op de luidspreker naar wens in te stellen.

Het display toont geen informatie over de track (zoals de titel, de artiest, het album, etc.) wanneer u muziek afspelt via de aux-ingang.

## ONDERHOUD

### ⚠ LET OP:

- Gebruik nooit benzine, benzeen, thinner, alcohol of dergelijke producten. Dit kan leiden tot verkleuring, vervorming of barsten.
- Was de luidspreker niet met water.

## SPECIFICATIES

Versterker	
Vermogen	10.8V-12Vmax: 3.5W 14.4V: 6W 18V: 10W
Frequentierespons	50Hz~20kHz
Aux In	
Ingangsevoeligheid	250mVrms @100Hz
Luidspreker	
Hoofd-luidspreker	101.6mm 8ohm 10W
Tweeter	36mm 8ohm 10W

Bluetooth®	
(Het Bluetooth®-woordmerk en -logo's zijn gedeponeerde handelsmerken in eigendom van Bluetooth SIG, Inc.)	
Bluetooth-versie	5.0 gecertificeerd
Bluetooth-profiel	A2DP/SCMS-T/AVRCP
Zendvermogen	Vermogensklasse 2
Zendbereik	Optimaal: Max. 10 meter (33 voet) Mogelijk: Max. 30 meter (100 voet) (varieert afhankelijk van gebruiksomstandigheden)
Ondersteunde codec	SBC
Compatibel Bluetooth-profiel	A2DP/AVRCP
Maximaal luidsprekerfrequentievermogen	BT EDR: 3.08dBm BT LE: 3.88dBm
Bedrijfsfrequentie	2402MHz~2480MHz

USB-oplaadpoort	
Maximale voedingsstroom van USB-poort	5V, 2,1A

Algemeen	
Netadapter	DC in 12V 1.5A, middelste pin positief
Accu	Schuifaccu: 10.8V-12Vmax 14,4V 18V
Afmetingen (B x H x D)	206mm x 199mm x 217mm
Gewicht	2,7KG (zonder accu)

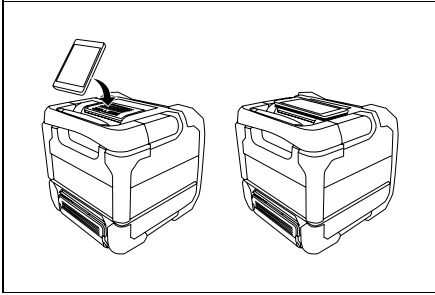
Het bedrijf behoudt zich het recht voor om de specificaties te wijzigen zonder voorafgaande kennisgeving.

# ESPAÑOL

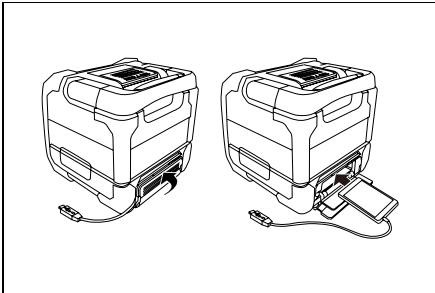
## (Instrucciones originales)

### EXPLICACIÓN DE LA VISTA GENERAL (Fig. 1)

1. Compartimiento de la batería/Panel para colocar el teléfono móvil (celular)



2. Asa
3. Toma de entrada de CC
4. Toma de entrada auxiliar
5. Toma de carga USB
6. Altavoz
7. Pantalla LCD
8. Botón de subir volumen
9. Botón de bajar volumen
10. Botón Plus (botón de vinculación Plus)
11. Botón L/R (izquierda/derecha)
12. Botón de siguiente pista/avance rápido
13. Botón de reproducir/pausar
14. Botón de pista anterior/rebobinar
15. Botón de vinculación Bluetooth
16. Botón de control del ecualizador
17. Botón de encendido
18. Compartimiento para guardar el teléfono móvil



19. Terminal de la batería 14,4V/18V
20. Terminal de la batería 10,8V-12V máx.
21. Cubierta del compartimiento para guardar el teléfono móvil
22. Agujero para el cable

## SÍMBOLOS

Lo siguiente muestra los símbolos usados por el equipo. Asegúrese de que entiende su significado, antes de usar el equipo.



Lea el manual de instrucciones.



Solo para países de la UE.

No se deshaga del equipo eléctrico o del paquete de baterías junto con la basura doméstica. De acuerdo con las directivas europeas sobre Residuos de Aparatos y Baterías y Acumuladores Eléctricos y Electrónicos y sobre Residuos de Baterías y Acumuladores y su aplicación conforme las legislaciones nacionales, las baterías y los paquetes de baterías que lleguen al final de su vida útil deben ser recolectados por separado y devueltos a una instalación de reciclaje compatible con el medio ambiente.

## INSTRUCCIONES IMPORTANTES DE SEGURIDAD

### ⚠ ADVERTENCIA:

Cuando utilice herramientas eléctricas, para reducir el riesgo de incendio, descarga eléctrica y lesiones personales, siga siempre las precauciones básicas de seguridad, incluyendo lo siguiente:

1. Lea el manual de instrucciones y el manual de instrucciones del cargador detenidamente antes de usarlos.
2. Limpie el equipo solo con un paño seco.
3. No instale cerca de fuentes de calor, como radiadores, estufas, fuegos de cocina u otros aparatos (incluyendo amplificadores) que produzcan calor.
4. Utilice únicamente accesorios especificados por el fabricante.
5. Desenchufe este aparato durante las tormentas o cuando no vaya a usarlo por un periodo prolongado.
6. Un altavoz que funcione por medio de baterías bien integradas o bien independientes, solo debe cargarse con el cargador específico para la batería. Un cargador adecuado para un tipo de batería, puede crear riesgo de incendio cuando se usa con otra batería.
7. Use un altavoz que funcione por medio de baterías solo con baterías específicamente diseñadas. El uso de otras baterías podría crear riesgo de incendio.

8. Cuando la batería no esté en uso, manténgala alejada de otros objetos metálicos como: clips, monedas, llaves, clavos, tornillos u otros objetos metálicos pequeños que pudieran crear conexiones de un terminal a otro. El contacto entre sí de los terminales de las baterías puede provocar chispas, quemaduras o fuego.
9. Evite contacto corporal con superficies conectadas a tierra como tuberías, radiadores, estufas y refrigeradores. Hay un incremento del riesgo de descarga eléctrica si su cuerpo está conectado a tierra.
10. En condiciones abusivas, puede que de la batería se expulse líquido, evite el contacto. Si de forma accidental entra en contacto con el líquido, enjuague con agua. Si el líquido entrase en contacto con los ojos, busque ayuda médica. El líquido expulsado de la batería puede causar irritación o quemaduras.
11. No use una batería o una herramienta dañada o modificada. Las baterías dañadas o modificadas puede presentar un comportamiento impredecible causando incendios, explosiones y riesgos de lesiones.
12. No exponga la batería o herramienta al fuego o a temperaturas excesivas. La exposición al fuego o a temperaturas mayores que 130°C (266°F) podrían causar una explosión.
13. Siga todas las instrucciones de carga y no cargue la batería o la herramienta fuera del rango de temperatura especificado en las instrucciones. Cargar incorrectamente o a temperaturas fuera del rango especificado podrían dañar la batería e incrementar el riesgo de fuego.
14. El enchufe principal de la red eléctrica se utiliza como dispositivo de desconexión, y debe estar siempre disponible.
15. No use este producto a volumen alto durante un periodo prolongado. Para evitar daños auditivos, use este producto a un nivel de volumen moderado.
16. (Solo para productos con pantalla LCD) Las pantallas LCD incluyen líquidos que pueden causar irritación y envenenamiento. Si el líquido entrase en contacto con los ojos, boca o piel, enjuague con agua y llame a un médico.
17. No exponga el producto a condiciones de lluvia o humedad. El agua que entre al producto incrementará el riesgo de descarga eléctrica.
18. Este aparato no es apto para su uso por personas (niños incluidos) con las capacidades físicas, sensoriales o mentales disminuidas, o por personas que carezcan de experiencia y conocimiento, a no ser que alguien que sea responsable de su seguridad, les esté supervisando o les explique cómo deben usar el aparato. Los niños deben ser supervisados para asegurarse de que no jueguen con el producto. Guarde el producto lejos del alcance de los niños.
19. No caliente ni exponga el altavoz al fuego o lo deje en un lugar caliente como cerca de una fuente de calor, expuesto a la luz solar directa o dentro de un vehículo bajo un sol abrasador. Hacer esto puede causar un incendio o explosión y provocar lesiones personales.

## GUARDE ESTAS INSTRUCCIONES

### REGLAS ESPECÍFICAS DE SEGURIDAD PARA EL CARTUCHO DE BATERÍA

1. Antes de utilizar el cartucho de batería, lea todas las instrucciones y advertencias en (1) el cargador de la batería, (2) la baterías, (3) el producto que usa la batería.
2. No desmonte el cartucho de batería.
3. Si el tiempo de funcionamiento se ha vuelto excesivamente corto, pare inmediatamente. Puede haber riesgo de sobrecalentamiento, posibles quemaduras o incluso una explosión.
4. Si el electrolito entra en contacto con los ojos, lávelos con agua limpia y busque atención médica de inmediato. Podría dar como resultado la pérdida de visión.
5. No haga un cortocircuito con el cartucho de batería:
  - (1) No toque los terminales con un material conductor.
  - (2) Evite almacenar el cartucho de batería en recipientes con otros objetos metálicos como clavos, monedas, etc.
  - (3) No exponga la batería al agua o lluvia. Un cortocircuito en la batería puede producir un gran flujo, sobrecalentamiento, posibles quemaduras e incluso una avería.
6. No guarde la herramienta ni el cartucho de batería en lugares donde la temperatura pueda llegar a o superar los 50°C (122°F).
7. No incinere el cartucho de batería incluso si está muy dañado o completamente desgastado. El cartucho de batería podría explotar en el fuego.
8. Tenga cuidado de no dejar caer o golpear la batería.
9. No use una batería dañada.
10. Para evitar riesgos, lea antes de su uso el manual de la batería reemplazable. Y la corriente máxima de descarga de la batería debe ser igual o mayor a 8A.
11. Las baterías de iones de litio están sujetas a los requisitos de la Legislación de mercancías

peligrosas. Para su transporte comercial, como por ejemplo por terceros o transportistas, deben respetarse los requisitos especiales del embalaje y etiquetado.

Para la preparación del artículo para su envío, se requiere consultar a un experto en materiales peligrosos. Acate también las, posiblemente más detalladas, regulaciones nacionales.

Cubra los contactos abiertos y empaquete la batería de tal manera que no se pueda mover en el embalaje.

12. Al tirar la batería, retírela de la herramienta y deshágase de ella en un lugar seguro. Siga las regulaciones locales sobre la eliminación de baterías.
13. Use las baterías solo con los productos especificados por Makita. La instalación de las baterías con productos no conformes podría resultar en un incendio, calor excesivo, explosión o fuga de electrolitos.
14. Si la herramienta no va a ser usada durante un periodo prolongado de tiempo, debe retirar la batería de ella.

#### **PRECAUCIÓN:**

- **Peligro de explosión si la batería se coloca incorrectamente.**
- **Reemplace solo con una del mismo tipo o uno equivalente.**
- **Use solo baterías originales Makita. El uso de baterías Makita no originales o de baterías que hayan sido alteradas podría provocar la explosión de la batería causando incendios, lesiones personales y daños. También anulará la garantía de Makita para la herramienta de Makita y el cargador.**

## **Consejos para mantener al máximo la vida útil de la batería**

1. Cargue el cartucho de batería antes de que se descargue completamente. Deje de usar la herramienta y cargue la batería cuando note que la batería tiene menos potencia.
2. Nunca cargue un cartucho de batería que esté totalmente cargado. La sobrecarga reduce la vida útil de la batería.
3. Cargue el cartucho de batería con una temperatura ambiente de entre 10 y 40 grados centígrados (50°F-104°F). Antes de cargarla, deje que una batería que esté caliente se enfríe.
4. Cargue el cartucho de batería si no lo usa durante un largo periodo de tiempo (más de seis meses).

# TIEMPO DE FUNCIONAMIENTO

\* Las baterías adecuadas para este altavoz se enumeran en la siguiente tabla.

\* La siguiente tabla indica el tiempo de uso con una sola carga.

Capacidad de la batería	Voltaje de la batería			CON LA SALIDA DEL ALTAVOZ = 100mW Unidad: hora (aproximadamente)	
	10.8V-12Vmáx.	14.4V	18V	Bluetooth	AUX IN
1.3Ah		BL1415		5.5	6.5
			BL1815	6.0	6.5
1.5Ah	BL1015 BL1016			8.5	9.5
		BL1415N		7.5	8.5
			BL1815N	7.5	8.5
2.0Ah	BL1020B BL1021B			11	12
			BL1820 BL1820B	10	11
3.0Ah		BL1430 BL1430B		13	14
			BL1830 BL1830B	14	16
4.0Ah	BL1040B BL1041B			22	25
		BL1440		20	22
			BL1840 BL1840B	20	22
5.0Ah		BL1450		24	27
			BL1850 BL1850B	26	29
6.0Ah		BL1460B		27	30
			BL1860B	32	35

## ADVERTENCIA:

Solo use las baterías indicadas anteriormente. El uso de cualquier otra batería podría causar lesiones o fuego.

### Nota:

- La tabla sobre el tiempo de funcionamiento de la batería es para referencia.
- El tiempo de funcionamiento real puede diferir según el tipo de batería, condiciones de carga o entorno de uso.

# INSTALACIÓN Y ALIMENTACIÓN

## ⚠ PRECAUCIÓN:

- Tenga cuidado de no pellizcarse los dedos al abrir y cerrar la tapa de la batería.
- Tras instalar o retirar la batería, devuelva el compartimento de la batería a su posición inicial. De lo contrario la batería podría caerse accidentalmente de el altavoz y causar lesiones a usted o a gente a su alrededor.
- Antes de mover el altavoz cierre y boquee siempre el compartimento de la batería.
- Antes de instalar o retirar la batería, apague siempre el altavoz.
- Tenga cuidado de no dejar caer o golpear el altavoz. Una carcasa rota podría cortarle los dedos o clavarse en su cuerpo. Un altavoz dañado puede tener un comportamiento impredecible que podría resultar en fuego, explosiones o riesgo de lesiones.
- Al colocar o retirar la batería, sujete el altavoz y la batería firmemente. Si no sostiene el altavoz y la batería con firmeza, es posible que se le salgan de las manos y provoque daños en el altavoz y en la batería, además de lesiones personales.

## IMPORTANTE:

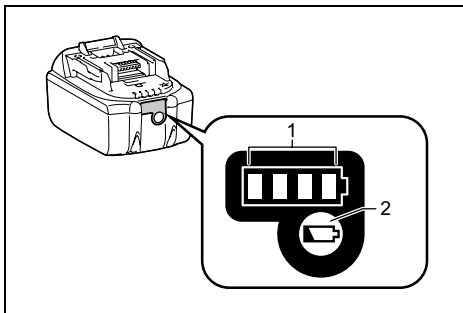
- Potencia reducida, distorsión, un sonido con cierta “tartamudez” o que en pantalla aparezca “low battery” (batería baja), es señales de que las baterías deben reemplazarse.
- La batería no puede cargarse mediante el adaptador de alimentación de CA suministrado. La batería no se incluye como accesorio estándar.

## Instalación o retirada del cartucho de batería (fig. 3 y 4)

- Para instalar el cartucho de batería, alinee la lengüeta en el cartucho de batería con la ranura en la carcasa y deslícela a su lugar. Siempre insértela hasta que encaje en su sitio con un pequeño clic.
- Si puede ver el indicador rojo de la zona superior del botón, significa que el cartucho no está encajado completamente. Instálelo completamente hasta que el indicador rojo no esté visible. De lo contrario, el cartucho puede desprenderse accidentalmente del altavoz y causar lesiones al operario o a alguna persona que se encuentre cerca.
- No use la fuerza al insertar el cartucho de batería. Si el cartucho no se desliza fácilmente es que no se está insertando correctamente.
- Para retirar la batería, deslícela del altavoz mientras presiona el botón en la parte frontal de la misma.

## Indicaciones de la batería restante

\* Solo para cartuchos de batería que tengan una "B" al final del número de modelo



### ➤ 1. Luces indicadoras 2. Botón de comprobación

Presione el botón en el cartucho de batería para mostrar la batería restante. Las luces indicadoras se encenderán por unos segundos.

#### • Baterías 14,4V/18V

Luces indicadoras			Capacidad restante
Iluminado	Apagado	Parpadeando	
■	□	◻	75% ~ 100%
■ ■ ■ ■	□	◻	
■ ■ ■	□ □	◻	50% ~ 75%
■ ■	□ □ □	◻	25% ~ 50%
■	□ □ □ □	◻	0% ~ 25%
◻	□ □ □ □	◻	Cargue la batería
■ ■ □ □	□ □	◻	La batería puede haber funcionado mal
□ □ ■ ■	□ □	◻	

#### • Baterías 10,8V-12V máx.

Luces indicadoras			Capacidad restante
Iluminado	Apagado	Parpadeando	
■	□	◻	75% ~ 100%
■ ■ ■ ■	□	◻	
■ ■ ■	□ □	◻	50% ~ 75%
■ ■	□ □ □	◻	25% ~ 50%
■	□ □ □ □	◻	0% ~ 25%



## NOTA:

Dependiendo de las condiciones de uso y de la temperatura ambiente, la indicación puede diferir ligeramente de la capacidad real.

## Usando el adaptador de CA suministrado

Retire el protector de goma e inserte la clavija del adaptador en la toma de CC en la parte derecha del altavoz. Enchufe el adaptador a una toma de corriente estándar. Cuando el adaptador se usa, la batería se desconecta automáticamente.

### ⚠ PRECAUCIÓN:

- **Desconecte siempre completamente el adaptador de alimentación de CA antes de mover el altavoz. Si no se retira el adaptador de CA, podría causar una descarga eléctrica.**
- **Nunca tire o arrastre el cable del adaptador. De lo contrario, el altavoz podría caerse de forma accidental causándole lesiones a usted o a gente a su alrededor.**

## IMPORTANTE:

- El adaptador de corriente se emplea como medio de desconexión de el altavoz de la toma de alimentación. La toma de alimentación usada con el altavoz deberá permanecer accesible durante su uso.
- Para desconectar el altavoz, el adaptador de la red eléctrica debe retirarse por completo de la toma de corriente.
- Use solo el adaptador de alimentación de CA suministrado con el producto o especificado por Makita.
- No sujete el cable de alimentación y enchufe con la boca. Hacerlo podría causar una descarga eléctrica.
- No toque el enchufe de corriente con las manos mojadas o grasosas.
- Unos cables dañados o enredados incrementan el riesgo de descarga eléctrica. Si el cable está dañado, haga que su centro de servicio autorizado lo reemplace para evitar riesgos para la seguridad. No lo use antes de la reparación.
- Tras el uso, guarde siempre el adaptador de alimentación de CA fuera del alcance de los niños. Si los niños jugasen con el cable, podrían sufrir lesiones.

## Toma de corriente USB

Esta toma puede usarse para cargar un teléfono móvil o cualquier otro dispositivo que use menos de 2.1A de CC. Solo se cargará cuando el altavoz esté encendido.

### Nota:

Asegúrese de que la especificación de su dispositivo externo, como teléfono móvil o reproductor, sea compatible con el altavoz. Lea el manual de instrucciones de su dispositivo externo antes de cargarlo.

## IMPORTANTE:

- Antes de conectar el dispositivo USB al cargador, haga siempre una copia de seguridad de los datos del dispositivo USB. De lo contrario, su información podría perderse.
- El cargador puede que no suministre energía a algunos dispositivos USB.
- Cuando no lo use, o tras cargar, retire el cable USB y cierre la cubierta.
- No conecte la fuente de alimentación al puerto USB. De lo contrario puede haber riesgo de fuego. El puerto USB es solo para cargar dispositivos de bajo voltaje. Cuando no esté cargando el dispositivo de bajo voltaje, coloque siempre la cubierta en el puerto USB.
- No inserte un clavo, cable, etc. en el puerto de alimentación USB. De lo contrario, un cortocircuito podría causar humo y fuego.
- No conecte esta toma USB al puerto USB del PC, ya que es muy probable que esto pueda causar daños en las unidades.

## ESCUCHAR MÚSICA A TRAVÉS DE TRANSMISIÓN BLUETOOTH

Antes de poder enlazarse automáticamente para reproducir/transmitir música Bluetooth a través del altavoz, necesita vincular su dispositivo Bluetooth con el altavoz. La vinculación crea un "vínculo" para que dos dispositivos se reconozcan mutuamente.

### Nota:

Para tener una mejor calidad de sonido, recomendamos que ajuste el volumen en su dispositivo Bluetooth a más de dos tercios y a continuación, ajuste el volumen en el altavoz como necesite.

## Vincular su dispositivo Bluetooth por vez primera

1. Presione el botón de encendido para encender el altavoz. En pantalla se mostrará "Pairing" (vinculando) para indicar que el altavoz es visible.
2. Active el Bluetooth de su dispositivo según su manual del usuario para enlazar con el altavoz. Localice la lista de dispositivos Bluetooth y seleccione el que lleve por nombre "DMR203". (Algunos dispositivos móviles equipados con versiones de Bluetooth anteriores a la BT2.1, puede que sea necesario introducir las contraseña "0000").
3. Una vez conectado, habrá un tono de confirmación. En pantalla se mostrará "Paired" (vinculado). Ahora puede simplemente seleccionar y reproducir cualquier música desde el dispositivo fuente. El control de volumen puede ajustarse desde su dispositivo fuente o directamente desde el altavoz.

- Use los controles de su dispositivo con función de Bluetooth o los del altavoz para reproducir/dejar en pausa y navegar por las pistas.

**Nota:**

- Si dos dispositivos Bluetooth, vinculándose por primera vez, buscan el altavoz, este se mostrará disponible para ambos dispositivos. Sin embargo, si un dispositivo se enlaza con esta unidad primero, entonces el otro dispositivo Bluetooth no lo encontrará en la lista.
- Si su dispositivo Bluetooth se desconecta temporalmente de su altavoz, entonces, deberá reconectar su dispositivo al altavoz de forma manual.
- Si "DMR203" aparece en la lista de su dispositivo Bluetooth, pero no puede conectarse a él, borre el elemento de la lista y vincule de nuevo el dispositivo con el altavoz, siguiendo los pasos descritos anteriormente.
- El rango óptimo de transmisión Bluetooth es de aproximadamente 10 metros (30 pies) (campo visual) a el altavoz, pero una distancia de hasta 30 metros (100 pies) es posible.
- Si se pierde la conexión Bluetooth debido a un exceso del tiempo de separación, de la distancia óptima, obstáculos u otros motivos, puede que sea necesario volver a conectar el dispositivo con el altavoz.
- Objetos físicos, otros dispositivos inalámbricos o dispositivos electromagnéticos pueden afectar la calidad de la conexión.
- La capacidad de la conectividad Bluetooth podría variar dependiendo del dispositivo Bluetooth que se haya conectado. Por favor, consulte las especificaciones Bluetooth de su dispositivo antes de conectarlo a su altavoz. Puede que no todas las funciones estuvieran disponibles en algunos dispositivos Bluetooth.

### Reproducción de archivos de audio en el modo Bluetooth

Cuando haya conectado su altavoz con el dispositivo Bluetooth que haya elegido, ya podrá comenzar a reproducir su música usando los controles del dispositivo Bluetooth al que se haya conectado.

- Una vez que la reproducción haya comenzado, ajuste el volumen al nivel deseado usando los botones de volumen en su altavoz o en su dispositivo Bluetooth.
- Use los controles en su dispositivo Bluetooth para reproducir/pausar y navegar por las pistas. Alternativamente, controle la reproducción usando los botones de reproducir/pausar, siguiente pista y pista anterior en su altavoz.
- Mantenga presionado el botón de avance rápido o rebobinar para moverse por la pista actual. Suelte

el botón cuando llegue al punto deseado.

**Nota:**

- Que puede que no todos los reproductores o dispositivos respondan a todos los controles.
- Algunos teléfonos móviles puede que se desconecten temporalmente de su altavoz al realizar o recibir llamadas. Algunos dispositivos puede que silencien temporalmente su transmisión de audio por Bluetooth cuando reciben mensajes de texto, correos electrónicos o por otros motivos ajenos a la transmisión de audio. Ese comportamiento es una función del dispositivo conectado y no indica un fallo en su altavoz.
- Cuando se reproduce en modo Bluetooth, la pantalla mostrará información de la pista como el título, artista, álbum etc.

### Reproducir un dispositivo fuente Bluetooth previamente vinculado

DMR203 puede memorizar hasta 8 dispositivos emparejados. Cuando la memoria exceda esta cantidad, el primero de los dispositivos emparejados será sobrescrito. Si su dispositivo Bluetooth hubiera sido emparejado con el altavoz anteriormente, la unidad memorizará su dispositivo Bluetooth e intentará reconectarse con el dispositivo de la memoria con el que se conectó por última vez. Si el último dispositivo con el que se conectó no estuviera disponible, el altavoz será reconocible.

### Desconexión de su dispositivo Bluetooth

Mantenga presionado el botón de vinculación Bluetooth durante 2-3 segundos hasta que "Pairing" (vinculando) se muestre en pantalla para desconectarse de su dispositivo Bluetooth, o desactive el Bluetooth en su dispositivo Bluetooth para deshabilitar la conexión.

### Borrar la memoria de dispositivos Bluetooth vinculados

Para borrar la memoria de todos los dispositivos vinculados, mantenga presionado el botón de vinculación Bluetooth durante más de 5 segundos hasta que escuche dos pitidos.

## FUNCIÓN TRUE WIRELESS STEREO (TWS)

La función True wireless stereo (TWS - estéreo inalámbrico auténtico) es una característica que permite que un dispositivo se conecte de forma inalámbrica con otro dispositivo. Puede usar la función TWS para conectar un segundo DMR203 y reproducir su música a través de dos altavoces.

## Configuración del primer altavoz

1. Asegúrese de que el primer altavoz esté en modo Bluetooth y conéctelo a un dispositivo Bluetooth.
2. Presione el botón Plus, en pantalla se mostrará **[ST] • [MULTI]**. **[ST]** parpadeará en la pantalla. Presione el botón Plus para entrar al modo de "ST Pair" (vinculación ST). Si no se presiona ningún botón durante 10 segundos, el altavoz también se pondrá en modo "ST Pair" (vinculación ST). La pantalla mostrará "ST Pair" (vinculación ST) y "Pair" (vincular) parpadeará durante 1 minuto.

## Configuración del segundo altavoz

1. Asegúrese de que el segundo altavoz esté en modo Bluetooth.
2. Presione el botón Plus, en pantalla se mostrará **[ST] • [MULTI]**. **[ST]** parpadeará en la pantalla. Presione el botón Plus para entrar al modo de "ST Pair" (vinculación ST). Si no se presiona ningún botón durante 10 segundos, el altavoz también se pondrá en modo "ST Pair" (vinculación ST). Cuando la conexión sea exitosa, **[L - [ST] - R]** se mostrará en ambas pantallas al mismo tiempo. Los ajustes del ecualizador volverán al modo plano (configuración inicial).

### Nota:

Configure el segundo altavoz en 1 minuto. Si no lo configura en menos de 1 minuto, la configuración del primer altavoz se cancelará.

## Comenzar la reproducción

1. Inicie la reproducción en el dispositivo Bluetooth conectado y ajuste el volumen en el dispositivo Bluetooth o en uno de los altavoces para una escucha agradable.

### Nota:

El ajuste del volumen o del ecualizador (sin incluir graves/medios/agudos) de un altavoz se refleja en el otro.

2. Use los controles en su dispositivo Bluetooth para reproducir/pausar y navegar por las pistas. Alternativamente, controle la reproducción usando los botones de reproducir/pausar, siguiente pista y pista anterior en uno de los altavoces. La pantalla del primer altavoz mostrará información de la pista como el título, artista, álbum, etc.
3. Mantenga presionado el botón de avance rápido o rebobinado en uno de los altavoces para moverse por la pista actual. Suelte el botón cuando llegue al punto deseado.

## Cambiar el modo de audio

1. Al usar dos altavoces, puede cambiar entre los modos **[L - [ST] - R]**, **[R - [ST] - R]** y **[L - [ST] - L]**.

2. Presione el botón L/R en cualquiera de los altavoces para cambiar el modo de audio.
3. **Modo [L - [ST] - R]**: Ambos altavoces reproducen el mismo sonido. Es la configuración inicial.
4. **Modo [R - [ST] - R] y [L - [ST] - L]**: Un altavoz reproduce el sonido en el canal derecho mientras que el otro altavoz reproduce el sonido en el canal izquierdo, para un reproducción estéreo entre los altavoces.

## Desconectar la función TWS

Mantenga presionado el botón Plus para desconectar la función TWS.

## DISFRUTE DE LA REPRODUCCIÓN INALÁMBRICA USANDO MÚLTIPLES ALTAVOCES

Puede disfrutar de la música al mismo tiempo combinando hasta 10 dispositivos que sean compatibles con esta función.

## Configuración del primer altavoz

1. Asegúrese de que el primer altavoz esté en modo Bluetooth y conéctelo al dispositivo Bluetooth.
2. Presione el botón Plus, en pantalla se mostrará **[ST] • [MULTI]**.
3. Seleccione **[MULTI]** presionando el botón L/R. **[MULTI]** parpadeará en la pantalla. Presione el botón Plus para entrar al modo de "MULTI Pair" (vinculación múltiple). Si no se presiona ningún botón durante 10 segundos, el altavoz también se pondrá en modo "MULTI Pair" (vinculación múltiple). La pantalla mostrará "MULTI Pair" (vinculación múltiple) y "Pair" (vincular) parpadeará durante 1 minuto.

## Conexión de los demás altavoces

1. Asegúrese de que todos los altavoces estén en modo Bluetooth.
2. Presione el botón Plus, en pantalla se mostrará **[ST] • [MULTI]**.
3. Seleccione **[MULTI]** presionando el botón L/R. **[MULTI]** parpadeará en la pantalla. Presione el botón Plus para entrar al modo de "MULTI Pair" (vinculación múltiple). Si no se presiona ningún botón durante 10 segundos, el altavoz también se pondrá en modo "MULTI Pair" (vinculación múltiple). Cuando la conexión sea exitosa, en la pantalla del primer altavoz se mostrará "PARENT" (el altavoz maestro) y en la de los otros altavoces se mostrará "CHILD" (el altavoz secundario). Los ajustes del ecualizador volverán al modo plano (configuración inicial).

**Nota:**

Cuando conecte los demás altavoces, hágalo en menos de 1 minuto. Transcurrido 1 minuto, el altavoz no puede conectarse.

## Añadir un nuevo altavoz secundario

Si tras la conexión desea añadir otro altavoz, siga los siguientes pasos:

1. Asegúrese de que el altavoz nuevo esté en modo Bluetooth.
2. Presione el botón Plus en el altavoz maestro. En pantalla se mostrará "MULTI ADD" y "ADD" (añadir) parpadeará en la pantalla.
3. Presione el botón Plus en el altavoz nuevo, en pantalla se mostrará [BT] [MULTI].
4. Seleccione [MULTI] presionando el botón L/R. [MULTI] parpadeará en la pantalla. Presione el botón Plus para entrar al modo de "MULTI Pair" (vinculación múltiple). Si no se presiona ningún botón durante 10 segundos, el altavoz también se pondrá en modo "MULTI Pair" (vinculación múltiple). Cuando la conexión sea exitosa, en la pantalla del altavoz nuevo se mostrará "CHILD" (el altavoz secundario). Los ajustes del ecualizador volverán al modo plano (configuración inicial).

## Comenzar la reproducción

1. Comience la reproducción en el dispositivo Bluetooth conectado y ajuste el volumen en el dispositivo Bluetooth o en los altavoces para una escucha agradable. La misma música se reproducirá desde todos los altavoces.

**Nota:**

Solo para el altavoz maestro. El ajuste del volumen o del ecualizador (sin incluir graves/medios/agudos) se sincronizará con el resto de altavoces. Para otros altavoces, ajuste el volumen o ecualizador individualmente con cada altavoz.

2. Use los controles en su dispositivo Bluetooth para reproducir/pausar y navegar por las pistas. Alternativamente, controle la reproducción usando los botones de reproducir/pausar, siguiente pista y pista anterior en el altavoz maestro. La pantalla del altavoz maestro mostrará información de la pista como el título, artista, álbum, etc.
3. Mantenga presionado el botón de avance rápido o rebobinado en el altavoz maestro para moverse por la pista actual. Suelte el botón cuando llegue al punto deseado.

## Desconectar los múltiples altavoces

- Para desconectar solo un altavoz secundario, mantenga presionado el botón Plus del altavoz secundario que desea desconectar.

- Para desconectar todas las conexiones y salir del grupo de múltiples altavoces, mantenga presionado el botón Plus en el altavoz maestro.

## Función de ecualizador

1. Presione el botón de encendido para encender el altavoz.
2. Presione el botón de control del ecualizador para seleccionar el modo deseado (PLANO/JAZZ/ROCK/CLÁSICA/POP/NOTICIAS).
3. Para configurar los graves, medios y agudos, presione el botón de control del ecualizador hasta que "Bass" (graves) parpadee en la pantalla.
4. Presione el botón de subir/bajar volumen para seleccionar el nivel de graves deseado. Presione el botón de control del ecualizador para confirmar los ajustes y entrar a la configuración de medios.
5. Presione el botón de subir/bajar volumen para seleccionar el nivel de medios deseado. Presione el botón de control del ecualizador para confirmar los ajustes y entrar a la configuración de agudos.
6. Presione el botón de subir/bajar volumen para seleccionar el nivel de agudos deseado. Presione el botón de control del ecualizador para confirmar los ajustes.

## Reproducir música a través de la toma de entrada auxiliar

Se proporciona una toma de entrada auxiliar de 3,5 mm en el lado derecho de la unidad para permitir que la unidad reciba una señal de audio desde cualquier dispositivo que cuente con una salida de auriculares o de audio, como un reproductor de MP3 o CD.

1. Conecte una fuente de audio estéreo o mono (como un reproductor de MP3 o CD) a la toma de entrada auxiliar (marcada como "AUX IN"). El altavoz cambiará del modo Bluetooth al modo de entrada auxiliar.
2. Ajuste el control del volumen en su reproductor MP3 o CD para garantizar una señal adecuada y a continuación, ajuste el volumen en el altavoz para una escucha agradable.

**Nota:**

Para tener una mejor calidad de sonido, recomendamos establecer el volumen a más de dos tercios en su dispositivo de audio y a continuación, ajustar el volumen en el altavoz según necesite.

Al reproducir a través de la toma de entrada auxiliar, la pantalla no muestra información como el título, artista, álbum, etc.

## MANTENIMIENTO

### ⚠ PRECAUCIÓN:

- Nunca use gasolina, bencina, diluyentes, alcohol o similares. Podría dar como resultado decoloración, deformaciones o roturas.
- No lave el altavoz con agua.

## ESPECIFICACIONES

<b>Amplificador</b>	
Potencia de salida	10.8V-12Vmáx.: 3.5W 14.4V: 6W 18V: 10W
Frecuencia de respuesta	50Hz~20kHz
<b>Aux In</b>	
Sensibilidad de entrada	250mVrms @100Hz
<b>Altavoz</b>	
Altavoz principal	101.6mm 8ohm 10W
Tweeter	36mm 8ohm 10W

<b>Bluetooth®</b>	
(La palabra Bluetooth® y los logotipos son marcas comerciales registradas propiedad de Bluetooth SIG, Inc.)	
Versión Bluetooth	5.0 certificado
Perfil Bluetooth	A2DP/SCMS-T/AVRCP
Potencia de transmisión	Potencia de clase 2
Alcance de transmisión	Óptima: 10 metros máximo (33 pies) Posible: 30 metros máximo (100 pies) (varía en función de las condiciones de uso)
Códec compatible	SBC
Perfil Bluetooth compatible	A2DP/AVRCP
Potencia máxima de altavoz frecuencia:	BT EDR: 3.08dBm BT LE: 3.88dBm
Frecuencia de funcionamiento	2402MHz~2480MHz

<b>Toma de carga USB</b>	
Potencia máxima de alimentación de la toma USB	5V, 2,1A

<b>General</b>	
Adaptador de alimentación de CA	Entrada CC 12V 1,5A, pin central positivo
Batería	Batería deslizable: 10.8V-12Vmáx. 14.4V 18V
Dimensiones (ancho x alto x largo)	206mm × 199mm × 217mm
Peso	2,7kg (sin la batería)

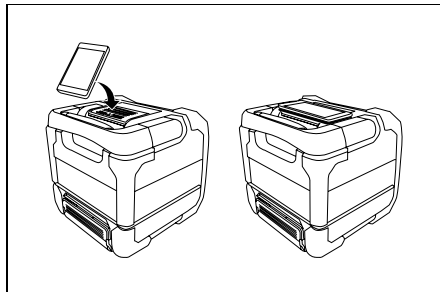
La compañía se reserva el derecho para modificar las especificaciones sin previo aviso.

# PORTUGUÊS

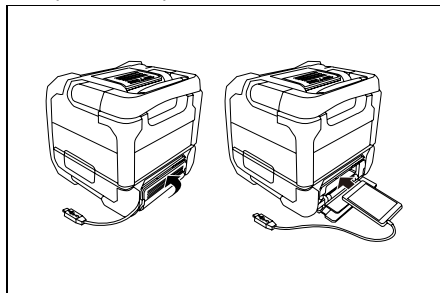
## (Instruções de origem)

### Explicação do aspeto geral (Fig. 1)

1. Compartimento fechado da bateria/Painel para colocação do telemóvel



2. Pega
3. DC in
4. Entrada Auxiliar
5. Carregamento USB
6. Altifalante
7. Visor LCD
8. Aumentar o volume
9. Diminuir o volume
10. Botão Mais (botão emparelhamento adicional)
11. Botão L/R (esquerda/direita)
12. Botão Faixa seguinte/Avançar
13. Botão Reproduzir/Pausar
14. Botão Faixa anterior/Rebobinar
15. Botão Emparelhamento Bluetooth
16. Botão Controlar EQ
17. Ligar/Desligar
18. Compartimento para o telemóvel



19. Terminal de bateria 14,4V/18V
20. Terminal da bateria 10,8V-12V máx
21. Tampa do compartimento para o telemóvel
22. Orifício para cabo

## SÍMBOLOS

O seguinte mostra os símbolos usados para o equipamento. Certifique-se que compreende o seu significado antes de usar.



Leia o manual de instruções.



Apenas para países da UE.  
Não descarte o equipamento eletrónico ou pilhas juntamente com o lixo doméstico! Em conformidade com as Diretivas Europeias, sobre os Resíduos de Equipamentos Elétricos e Eletrónicos e Baterias e Acumuladores e Resíduos de Pilhas e Acumuladores e a sua implementação de acordo com as leis nacionais, equipamentos elétricos e baterias e pilhas gastas devem ser recolhidas separadamente e devolvidas para uma instalação de reciclagem compatível com o meio ambiente.

## SEGURANÇA IMPORTANTE INSTRUÇÕES

### ⚠ ADVERTÊNCIA:

Quando utiliza ferramentas elétricas, deve seguir sempre as precauções de segurança básicas para reduzir o risco de incêndio, choque elétrico e danos pessoais, incluindo o seguinte:

1. Leia cuidadosamente o manual de instruções e o manual de instruções do carregador antes de usar.
2. Limpe apenas com um pano seco.
3. Não instale o aparelho junto de fontes de calor como radiadores, registos de calor, fogões ou outros aparelhos (incluindo amplificadores) que produzam calor.
4. Utilize apenas as ligações/acessórios especificados pelo fabricante.
5. Desligue este aparelho quando houver trovoadas ou quando não seja usado por um longo período de tempo.
6. Um altifalante que funciona a bateria com baterias integrais ou um conjunto de baterias separado só pode ser recarregado com o carregador especificado para a bateria. Um carregador adequado para um tipo de bateria pode criar um risco de incêndio quando usado com outra bateria.
7. Utilize o altifalante operado por bateria apenas com os conjuntos de baterias especificamente designados. O uso de quaisquer outras baterias pode criar um risco de incêndio.

8. Quando o conjunto da bateria não se encontra a uso, mantenha-o afastado de outros objetos de metal como: clips de papel, moedas, chaves, pregos, parafusos, ou outros objetos pequenos de metal que possam fazer a ligação entre dois terminais. Colocar em curto-circuito os terminais da bateria pode causar faíscas, queimaduras ou um incêndio.
  9. Evitar contacto do corpo com superfícies ligadas à terra como tubos, radiadores, fogões e frigoríficos. Há um risco acrescido de choque elétrico se o corpo estiver ligado à terra.
  10. Em condições de mau uso, poderá ser ejetado líquido da bateria, evite o contacto. Se ocorrer um contacto accidental, lave abundantemente com água. Se o líquido entrar em contacto com os olhos, procure também ajuda médica. O líquido ejetado da bateria pode causar irritação ou queimaduras.
  11. Não utilize uma bateria ou ferramenta danificada ou modificada. Baterias danificadas ou modificadas podem exibir comportamentos imprevisíveis que resultam em incêndio, explosão ou risco de ferimentos.
  12. Não exponha uma bateria ou ferramenta ao fogo ou temperatura excessiva. A exposição ao fogo ou a temperatura acima de 130°C (266°F) pode provocar uma explosão.
  13. Siga todas as instruções de carregamento e não carregue a bateria ou a ferramenta fora do intervalo de temperatura especificado nas instruções. Carregar incorretamente ou em temperaturas fora do intervalo especificado pode danificar a bateria e aumentar o risco de incêndio.
  14. A ficha do CABO PRINCIPAL é usada para desligar o aparelho e permanecerá pronta a operar.
  15. Não utilize o produto com o volume alto em nenhuma circunstância. Para evitar danos auditivos, utilize o produto com um nível de volume moderado.
  16. (Apenas para produtos com visor LCD) Os visores LCD incluem líquidos que podem causar irritação e envenenamento. Se o líquido entrar nos olhos, na boca ou na pele, enxaguar com água e chamar um médico.
  17. Não exponha o produto à chuva ou em condições húmidas. A entrada de água no produto aumentará o risco de choque elétrico.
  18. Este produto não está destinado a ser utilizado por pessoas (incluindo crianças) com capacidades físicas, sensoriais ou mentais reduzidas, ou falta de experiência e conhecimento, a menos que tenham sido supervisionadas ou instruídas sobre o uso do produto por uma pessoa responsável pela sua segurança. As crianças devem ser supervisionadas para garantir que elas não brincam com o produto.
- Armazene o produto fora do alcance das crianças.
19. Não aqueça ou exponha o altifalante ao fogo nem a deixe num local quente, como próximo a uma fonte de calor, exposta à luz solar direta ou dentro de um veículo sob o sol escaldante. Isso pode causar incêndio ou explosão e resultar em ferimentos pessoais.

## GUARDE ESTAS INSTRUÇÕES

### NORMAS DE SEGURANÇA ESPECÍFICAS PARA O CARTUCHO DA BATERIA

1. Antes de usar o cartucho da bateria, leia todas as instruções e marcas de advertência no (1) carregador da bateria, (2) bateria e (3) produto que usa a bateria.
2. Não desmonte o cartucho da bateria.
3. Se o período de funcionamento se tornar excessivamente curto, pare imediatamente o funcionamento. Pode provocar um risco de sobreaquecimento, possíveis queimaduras ou mesmo explosão.
4. Se o eletrólito entrar para os olhos, lave-os com água limpa e procure um médico imediatamente. Pode originar perda de visão.
5. Não faça curto circuito com a bateria:
  - (1) Não toque nos terminais com qualquer material condutor.
  - (2) Evite guardar o cartucho da bateria num recipiente com outros objetos de metal como pregos, moedas, etc.
  - (3) Não exponha o cartucho de bateria à água ou à chuva. Um curto circuito na bateria pode causar um grande fluxo de corrente, sobreaquecimento, possíveis queimaduras e mesmo avaria.
6. Não guarde a ferramenta e o cartucho da bateria em locais em que a temperatura possa chegar ou ultrapassar os 50°C (122°F).
7. Não incinere o cartucho da bateria mesmo que se encontre muito danificado ou esteja completamente gasto. O cartucho da bateria pode explodir num incêndio.
8. Tenha cuidado para não deixar cair a bateria ou bater com a bateria.
9. Não use uma bateria danificada.
10. Para evitar riscos, o manual de substituição da bateria deve ser lido antes de usar. E a corrente de descarga máxima da bateria deve ser maior ou igual a 8A.
11. As baterias que contêm íons de lítio estão sujeitas aos requisitos da Legislação de

Mercadorias Perigosas. Para transportes Comerciais, por exemplo, por terceiros, agentes de encaminhamento, requisitos especiais de embalagem e rotulagem devem ser observados. Para a preparação do item que está a ser enviado, é necessário consultar um especialista em materiais perigosos. Observe também as regulamentações nacionais mais detalhadamente.

Fita ou cobrir os contatos abertos e arrumar a bateria de tal maneira que não pode se mover na embalagem.

12. Ao descartar a bateria, remova-a primeiro da ferramenta e descarte-a num local seguro. Siga os regulamentos locais relacionados ao descarte de baterias.
13. Use as baterias apenas com os produtos especificados pela Makita. A instalação das baterias em produtos não conformes pode resultar em incêndio, superaquecimento, explosão ou vazamento de eletrólito.
14. Se a ferramenta não for utilizada durante um longo período, a bateria deve ser removida da ferramenta.

**⚠ CUIDADO:**

- **Perigo de explosão se a bateria for substituída incorretamente.**
- **Substitua apenas pelo mesmo tipo ou equivalente.**
- **utilize apenas baterias Makita genuínas. O uso de baterias Makita não genuínas, ou baterias que tenham sido alteradas, pode resultar na explosão da bateria causando incêndios, danos pessoais e materiais. Também anulará a garantia da Makita para a ferramenta Makita e o carregador.**

## **Conselhos para a manutenção prolongada da bateria**

1. Carregue o cartucho da bateria antes de estar completamente descarregado. Pare sempre o funcionamento da ferramenta e carregue o cartucho da bateria quando notar uma menor potência da ferramenta.
2. Nunca recarregue um cartucho de bateria completamente carregado. O sobrecarregamento diminui a duração da bateria.
3. Carregue o cartucho da bateria à temperatura ambiente entre 10°C e 40°C (50°F e 104°F). Deixe que o cartucho da bateria quente arrefeça antes de o carregar.
4. Carregue o cartucho da bateria se não o usar por um longo período de tempo (mais de seis meses).



## TEMPO DE FUNCIONAMENTO

\* As baterias adequadas para este altifalante estão listadas na tabela a seguir.

\* A tabela seguinte indica o tempo de funcionamento com um único carregamento.

Capacidade da bateria	Voltagem da bateria			SAÍDA ALTIFALANTE = 100mW Unidade: Hora (Aproximadamente)	
	10.8V-12Vmáx	14.4V	18V	Bluetooth	Entrada AUX
1.3Ah		BL1415		5.5	6.5
			BL1815	6.0	6.5
1.5Ah	BL1015 BL1016			8.5	9.5
		BL1415N		7.5	8.5
			BL1815N	7.5	8.5
2.0Ah	BL1020B BL1021B			11	12
			BL1820 BL1820B	10	11
3.0Ah		BL1430 BL1430B		13	14
			BL1830 BL1830B	14	16
4.0Ah	BL1040B BL1041B			22	25
		BL1440		20	22
			BL1840 BL1840B	20	22
5.0Ah		BL1450		24	27
			BL1850 BL1850B	26	29
6.0Ah		BL1460B		27	30
			BL1860B	32	35

### AVISO:

Utilize apenas as baterias listadas acima. O uso de qualquer outra bateria pode causar ferimentos e/ou incendiar.

### Nota:

- A tabela relativa ao tempo de operação da bateria acima é para referência.
- O tempo de operação real pode diferir com o tipo de bateria, condição de carregamento ou ambiente de utilização.

# INSTALAÇÃO E FONTE DE ALIMENTAÇÃO

## ⚠ CUIDADO:

- Tenha cuidado para não entalar os dedos ao abrir e fechar a tampa da bateria.
- Volte a colocar o compartimento da bateria na posição original, após instalar ou remover a bateria. Caso contrário, a bateria pode cair acidentalmente do altifalante e causar ferimentos a si ou em alguém que esteja perto de si.
- Feche e tranque sempre o compartimento da bateria antes de mover o altifalante.
- Desligue sempre o altifalante antes de instalar ou remover a bateria.
- Tenha cuidado para não deixar cair ou dar uma pancada no altifalante. Se o cartucho partir pode cortar o dedo ou o corpo. Altifalante danificado pode exibir um comportamento imprevisível e resultar em incêndio, explosão ou risco de lesão.
- Segure o altifalante e a bateria com firmeza ao instalar ou remover a bateria. Caso não segure o altifalante e a bateria com firmeza, estes podem-lhe deslizar das mãos e danificar o altifalante e a bateria, além de causar ferimentos pessoais.

## IMPORTANTE:

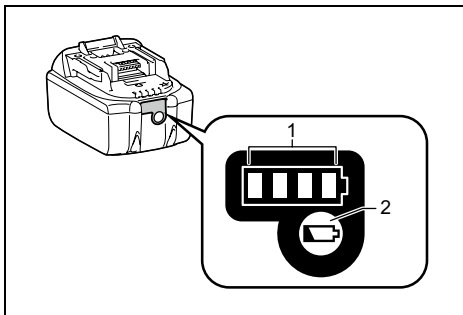
- Potência reduzida, distorção, “sluttering sound” (som com interrupções) ou “low battery” (bateria fraca) aparecerem no ecrã, são sinais de que a bateria principal precisa de ser substituída.
- A bateria não pode ser carregada por meio do adaptador de alimentação CA fornecido.
- A bateria não está incluída como acessório padrão.

## Instalar ou remover o cartucho deslizante da bateria (fig. 3 e 4)

- Para instalar o cartucho da bateria, alinhar a ponta do cartucho da bateria com a ranhura do cartucho da bateria no compartimento e colocá-la no sítio. Insira sempre a totalidade para que fique no lugar e faça um clique.
- Se ainda estiver visível o indicador vermelho na parte superior do botão, não estará bem encaixado. Coloque-a completamente, até deixar de ver o indicador vermelho. Caso contrário, pode cair do altifalante e causar ferimentos em si, ou em alguém que esteja perto de si.
- Não force quando inserir o cartucho da bateria. Se o cartucho não deslizar facilmente, não foi inserido corretamente.
- Para remover a bateria, deslize-a do altifalante enquanto prime o botão na frente da bateria.

## Indicando a capacidade restante da bateria

\* Apenas os cartuchos de bateria com um “B” no final do número do modelo



➤ 1. Lâmpadas do indicador 2. Botão de verificação  
Pressione o botão de verificação do cartucho da bateria para indicar a capacidade remanescente da bateria. As lâmpadas indicadoras acendem durante uns segundos.

### • Baterias de 14.4V/18V

Lâmpadas indicadoras			Capacidade restante
Aceso	Desligado	A Piscar	
■	□	⚡	75% ~ 100%
■	■	■	
■	■	□	
■	□	□	
■	■	□	50% ~ 75%
■	□	□	25% ~ 50%
■	□	□	0% ~ 25%
⚡	□	□	Carregue a bateria
■	■	□	A bateria pode estar avariada
□	□	■	

### • Baterias de 10.8V-12V máx

Lâmpadas indicadoras			Capacidade restante
Aceso	Desligado	A Piscar	
■	□	⚡	75% ~ 100%
■	■	■	
■	■	□	
■	□	□	
■	■	□	50% ~ 75%
■	□	□	25% ~ 50%
■	□	□	0% ~ 25%

## NOTA:

Dependendo das condições de utilização e da temperatura ambiente, a indicação pode diferir ligeiramente da capacidade efetiva.

### Usar o adaptador de corrente AC fornecido

Retire o protetor de borracha e insira a ficha do adaptador na tomada DC no lado direito do altifalante. Ligue o adaptador numa tomada normal. Sempre que é usado o adaptador, o conjunto da bateria é automaticamente desligado.

#### ⚠ CUIDADO:

- **Desconecte sempre completamente o adaptador de alimentação CA antes de mover o altifalante. Se o adaptador CA não for removido, pode causar um choque elétrico.**
- **Nunca puxe ou arraste o cabo do adaptador. Caso contrário, o altifalante pode cair acidentalmente e causar danos a si ou em alguém que esteja perto de si.**

#### IMPORTANTE:

- O adaptador de corrente é usado como meio de ligação do altifalante à corrente. A tomada de corrente usada para o altifalante tem de estar acessível durante o uso normal.
- Para desconectar o altifalante, o adaptador deve ser removido completamente da tomada.
- Utilizar o adaptador de alimentação CA fornecido com o produto ou especificado apenas pela Makita.
- Não segure o cabo de alimentação na boca. Pode causar choque elétrico.
- Não toque na ficha de alimentação com as mãos molhadas ou gordurosas.
- Cabos danificados ou emaranhados aumentam o risco de choque elétrico. Se o cabo estiver danificado, substitua-o no nosso centro de assistência autorizado por questões de segurança. Não utilize antes de o reparar.
- Após a utilização, armazene sempre o adaptador de alimentação CA fora do alcance das crianças. Se as crianças brincarem com o cabo, podem sofrer lesões.

### Tomada de abastecimento de energia USB

Esta entrada pode ser usada para carregar um telemóvel ou qualquer outro dispositivo que use corrente de DC inferior a 2.1A. O carregamento só ocorre quando o altifalante está ligado.

#### Nota:

Assegure-se de que a especificação do seu dispositivo externo, como telemóvel ou leitor, é compatível com o altifalante. Por favor, leia o manual de instruções do seu dispositivo externo antes de carregar.

## IMPORTANTE:

- Antes de ligar o dispositivo USB ao carregador, faça sempre uma cópia de segurança dos dados do dispositivo USB. Caso contrário poderá perder os seus dados.
- O carregador não carrega alguns dispositivos USB.
- Quando não estiver a uso ou depois de carregar, retire o cabo USB e feche a tampa.
- Não ligue uma fonte de energia a uma porta USB. Caso contrário pode haver risco de incêndio. A porta USB destina-se apenas a carregar dispositivos de voltagem mais baixa. Coloque sempre a tampa da porta USB quando não estiver a carregar dispositivos de voltagem mais baixa.
- Não insira pregos, fios, etc. na porta de abastecimento de energia USB. Caso contrário poderá ocorrer um curto circuito causando fumo e incêndio.
- Não ligue esta tomada USB à porta USB do PC, pois há uma forte possibilidade de poder causar a avaria das unidades.

## OUVIR MÚSICA A PARTIR DO SISTEMA BLUETOOTH

Precisa emparelhar o seu dispositivo Bluetooth com o altifalante antes de poder se conectar automaticamente para reproduzir/transmitir música Bluetooth através do altifalante. O emparelhamento cria uma "ligação" para que os dois dispositivos possam se reconhecer.

#### Nota:

Para obter a melhor qualidade de som, recomendamos configurar o volume para mais de dois terços no seu dispositivo Bluetooth e, em seguida, ajuste o volume no altifalante conforme necessário.

### Emparelhar o seu dispositivo Bluetooth pela primeira vez

1. Prima o botão Ligar/Desligar para ligar o altifalante. Irá aparecer no ecrã "Pairing" (emparelhamento) para mostrar que o altifalante é detetável.
2. Ative o Bluetooth no seu dispositivo de acordo com o manual do utilizador do dispositivo para fazer a ligação ao altifalante. Localize a lista de dispositivos Bluetooth e selecione o dispositivo designado 'DMR203' (Com alguns telemóveis que estão equipados com versões anteriores ao dispositivo Bluetooth BT2.1, pode necessitar de introduzir a palavra-passe "0000").
3. Uma vez conectado, haverá um som de tom de confirmação. Irá aparecer no ecrã "Paired" (emparelhado). Pode simplesmente selecionar e reproduzir qualquer música do seu dispositivo de origem. O controlo de volume pode ser ajustado a

partir do seu dispositivo de origem ou diretamente do altifalante.

4. Use os controlos do seu dispositivo com Bluetooth ou do altifalante para tocar/pausar e procurar faixas.

#### **Nota:**

- Se 2 dispositivos Bluetooth, forem emparelhados pela primeira vez, ambos procuram o seu altifalante, mostrando a sua disponibilidade em ambos os dispositivos. Porém, se um dispositivo se ligar a esta unidade primeiro, o outro dispositivo de Bluetooth não o encontrará na lista.
- Se o dispositivo Bluetooth estiver temporariamente desligado do altifalante, então necessita de religar manualmente o seu dispositivo de novo ao altifalante.
- Se aparecer "DMR203" na sua lista de dispositivos Bluetooth mas o seu dispositivo não puder ligar-se ao mesmo, apague o item da sua lista e emparelhe, de novo, o dispositivo com o altifalante seguindo os passos descritos previamente.
- O melhor alcance de Bluetooth é de aproximadamente 10 metros (linha de visão) para o altifalante, mas a distância de até 30 metros (100 pés) é possível.
- Se a conexão Bluetooth for perdida devido ao tempo excedido de desconexão, a distância ideal foi ultrapassada, obstáculos ou outros, talvez seja necessário restabelecer a ligação entre o seu dispositivo e o altifalante.
- Obstáculos físicos, outros dispositivos sem fio ou dispositivos eletromagnéticos podem afetar a qualidade da conexão.
- O desempenho da conectividade do Bluetooth pode variar dependendo dos dispositivos Bluetooth ligados. Consulte as capacidades de Bluetooth do seu dispositivo antes de o ligar ao altifalante. Nem todas as funcionalidades são suportadas nalguns dispositivos Bluetooth emparelhados.

### **Tocar ficheiros áudio em Modo Bluetooth**

Depois de ter ligado com sucesso o seu altifalante ao dispositivo Bluetooth escolhido pode começar a tocar a sua música usando os controlos do dispositivo Bluetooth ligado.

1. Depois de começar a tocar ajuste o volume de acordo com o desejado, usando os botões de volume do seu altifalante, ou os do dispositivo com capacidade Bluetooth.
2. Utilize os controlos do seu dispositivo Bluetooth para reproduzir/colocar em pausa e navegar pelas faixas. Como alternativa, controle a reprodução usando os botões Reproduzir/Pausa, Faixa seguinte e Faixa anterior no altifalante.
3. Prima e segure o botão Avançar ou o botão Rebobinar para percorrer a faixa atual. Solte o botão

quando chegar ao ponto desejado.

#### **Nota:**

- Nem todas as aplicações do aparelho ou dispositivo respondem a estes controlos.
- Alguns telemóveis podem ficar temporariamente desligados do altifalante quando faz ou recebe chamadas. Alguns dispositivos podem silenciar temporariamente o streaming áudio do Bluetooth quando recebem mensagens de texto, emails, ou por outras razões não relacionadas com o streaming áudio. Esse comportamento é uma função do dispositivo ligado e não indica uma avaria no seu altifalante.
- O ecrã irá mostrar as informações da faixa, como o título, artista, álbum, etc., ao reproduzir no modo Bluetooth.

### **Reproduzir um dispositivo Bluetooth previamente emparelhado**

O seu altifalante pode memorizar até 8 conjuntos de dispositivos emparelhados, quando a memória excede este valor, o histórico do emparelhamento mais antigo será substituído. Se o seu dispositivo Bluetooth já tiver sido emparelhado anteriormente com o altifalante, a unidade memorizará o seu dispositivo Bluetooth e este tenta restabelecer a ligação com um dispositivo na memória que tenha sido ligado da última vez. Se o último dispositivo ligado não estiver disponível, o altifalante fica disponível.

### **Desligar o Dispositivo Bluetooth**

Prima e segure o botão Emparelhamento Bluetooth durante 2-3 segundos até que seja exibido no ecrã "Pairing" para desconectar-se do dispositivo Bluetooth ou desligar o Bluetooth no seu dispositivo Bluetooth para desativar a conexão.

### **Apagar os dispositivos Bluetooth emparelhado gravados**

Para limpar a memória de todos os dispositivos emparelhados, prima e segure o botão Emparelhamento Bluetooth por mais do que 5 segundos até ouvir dois bipes.

## **FUNÇÃO TRUE WIRELESS STEREO (TWS)**

O True wireless stereo (TWS) é um recurso que permite que um dispositivo se conecte sem fio a outro dispositivo. Pode usar a função TWS para conectá-la a um segundo DMR203 e tocar música através de dois altifalantes.

## Configurar o primeiro altifalante

1. Certifique-se de que o primeiro altifalante esteja no modo Bluetooth e conecte-a a um dispositivo Bluetooth.
2. Prima o botão Mais, o ecrã irá mostrar **[ST] [MULTI]**. Irá piscar no ecrã **[ST]**. Prima o botão Mais para entrar no modo "ST Pair". Se nenhum botão for pressionado por 10 segundos, o altifalante também entrará no modo "ST Pair". O ecrã irá mostrar "ST Pair" e "Pair" piscará durante 1 minuto.

## Configurar o segundo altifalante

1. Certifique-se de que o segundo altifalante esteja no modo Bluetooth.
2. Prima o botão Mais, o ecrã irá mostrar **[ST] [MULTI]**. Irá piscar no ecrã **[ST]**. Prima o botão Mais para entrar no modo "ST Pair". Se nenhum botão for pressionado por 10 segundos, o altifalante também entrará no modo "ST Pair". Quando a conexão for bem-sucedida, **[L - [ST] - R]** será mostrado em ambas as ecrãs ao mesmo tempo. A configuração de EQ será revertida para o modo Flat (configuração inicial).

### Nota:

Configure o segundo altifalante em 1 minuto. Se não a configurar dentro de 1 minuto, a configuração do primeiro altifalante será cancelada.

## Iniciar a reprodução

1. Inicie a reprodução no dispositivo Bluetooth conectado e ajuste o volume no dispositivo Bluetooth ou num dos altifalantes para uma audição confortável.

### Nota:

Ao ajustar o Volume ou EQ (não incluindo Graves/Médios/Agudos) num dos altifalantes, será refletido noutro altifalante.

2. Utilize os controlos do seu dispositivo Bluetooth para reproduzir/colocar em pausa e navegar pelas faixas. Como alternativa, controle a reprodução usando os botões Reproduzir/Pausa, Faixa seguinte e Faixa anterior num dos altifalantes. No ecrã do primeiro altifalante irá mostrar as informações da faixa, como o título, artista, álbum, etc., ao reproduzir no modo Bluetooth.
3. Num dos altifalantes, prima e segure o botão Avançar ou o botão Rebobinar para percorrer a faixa atual. Solte o botão quando chegar ao ponto desejado.

## Trocar o modo de áudio

1. Ao utilizar os dois altifalantes, pode alternar entre os modos **[L - [ST] - R]**, **[R - [ST] - R]** e **[L - [ST] - L]**.
2. Prima o botão L/R num dos altifalantes para alterar o modo de áudio.
3. **Modo [L - [ST] - R]**: Ambos os altifalantes tocam o mesmo som. É a configuração inicial.

4. **Modo [R - [ST] - R]** e **[L - [ST] - L]**: Um dos altifalantes reproduz o som no canal direito, enquanto o outro altifalante reproduz o som no canal esquerdo para reprodução estéreo entre os altifalantes.

## Desconectar a função do TWS

Prima e segure o botão Mais para desconectar a função TWS.

## DIVIRTA-SE COM A REPRODUÇÃO SEM FIO USANDO MÚLTIPLOS ALTIFALANTES

Pode ouvir música ao mesmo tempo ao combinar até 10 dispositivos compatíveis com esta função.

## Configurar o primeiro altifalante

1. Certifique-se de que o primeiro altifalante esteja no modo Bluetooth e conecte-a a um dispositivo Bluetooth.
2. Prima o botão Mais, o ecrã irá mostrar **[ST] [MULTI]**.
3. Selecione **[MULTI]** ao premir o botão L/R. Irá piscar no ecrã **[MULTI]**. Prima o botão Mais para entrar no modo "MULTI Pair". Se nenhum botão for pressionado por 10 segundos, o altifalante também entrará no modo "MULTI Pair". O ecrã irá mostrar "MULTI Pair" e "Pair" piscará durante 1 minuto.

## Configurar o segundo e mais altifalantes

1. Certifique-se de que os altifalantes estejam no modo Bluetooth.
2. Prima o botão Mais, o ecrã irá mostrar **[ST] [MULTI]**.
3. Selecione **[MULTI]** ao premir o botão L/R. Irá piscar no ecrã **[MULTI]**. Prima o botão Mais para entrar no modo "MULTI Pair". Se nenhum botão for pressionado por 10 segundos, o altifalante também entrará no modo "MULTI Pair". Quando a conexão for bem-sucedida será mostrado no ecrã do primeiro altifalante "PARENT" (altifalante principal) e nos outros altifalantes irão aparecer em todas "CHILD" (altifalante secundário). A configuração de EQ será revertida para o modo Flat (configuração inicial).

### Nota:

Configure o segundo altifalante em 1 minuto. Se não a configurar dentro de 1 minuto, a configuração do primeiro altifalante será cancelada.

## Adicionar um novo altifalante dependente

Se quiser adicionar outro altifalante após a conexão, siga as etapas seguintes:

1. Certifique-se de que o novo altifalante esteja no modo Bluetooth.

2. Prima o botão Mais do altifalante principal, o ecrã irá mostrar “MULTI ADD” (adicionar múltiplos) e “ADD” (adicionar) irá piscar no ecrã.
3. Prima o botão Mais do novo altifalante, o ecrã irá mostrar **STI** + **MULTI**.
4. Seleccione **MULTI** ao premir o botão L/R. Irá piscar no ecrã **MULTI**. Prima o botão Mais para entrar no modo “MULTI Pair”. Se nenhum botão for pressionado por 10 segundos, o altifalante também entrará no modo “MULTI Pair”. Quando a conexão for bem-sucedida irá aparecer no novo altifalante “CHILD” (altifalante secundário). A configuração de EQ será revertida para o modo Flat (configuração inicial).

## Iniciar a reprodução

1. Inicie a reprodução do dispositivo Bluetooth conectado e ajuste o volume no dispositivo Bluetooth ou num dos altifalantes para uma audição confortável. Será reproduzida a mesma música em todas os altifalantes.

### Nota:

Altifalante principal: os ajustes de volume ou EQ (não incluindo Graves/Médios/Agudos) serão sincronizados com os outros altifalantes. Restantes altifalantes: ajuste de volume ou EQ individualmente em cada um dos altifalantes.

2. Utilize os controlos do seu dispositivo Bluetooth para reproduzir/colocar em pausa e navegar pelas faixas. Como alternativa, controle a reprodução usando os botões Reproduzir/Pausa, Faixa seguinte e Faixa anterior no altifalante principal. No ecrã do altifalante principal irá mostrar as informações da faixa, como o título, artista, álbum, etc.
3. No altifalante principal, prima e segure o botão Avançar ou o botão Rebobinar para percorrer a faixa atual. Solte o botão quando chegar ao ponto desejado.

## Desconectar múltiplos altifalantes

- Para desconectar apenas um altifalante dependente, prima e segure o botão Mais do altifalante dependente que deseja desconectar.
- Para desconectar todas as conexões e sair do grupo de múltiplos altifalantes, prima e segure o botão Mais do altifalante principal.

## Função Equalizador

1. Prima o botão Ligar/Desligar para ligar o altifalante
2. Prima o botão Controlar EQ para seleccionar o modo desejado (FLAT/JAZZ/ROCK/CLASSIC/POP/NEWS).
3. Para configurar os graves, médios e agudos, prima o botão Controlar EQ até que “Bass” (graves) pisque no ecrã.
4. Prima o botão Aumentar/diminuir volume para seleccionar o nível de graves desejado. Prima o botão

Controlar EQ para confirmar a configuração e entre na configuração “Mid” (médios).

5. Prima o botão Aumentar/diminuir volume para seleccionar o nível de médios desejado. Prima o botão Controlar EQ para confirmar a configuração e entre na configuração “Tre.” (Agudos).
6. Prima o botão Aumentar/diminuir volume para seleccionar o nível de agudos desejado. Prima o botão Controlar EQ para confirmar a configuração.

## Reproduzir música através da entrada auxiliar

A entrada auxiliar de 3,5mm encontra-se no lado direito da unidade, esta permite que um sinal de áudio seja reproduzido na unidade a partir de qualquer dispositivo que possua uma saída de áudio/auscultador como MP3 ou Leitor de CDs.

1. Conecte uma fonte de áudio estéreo ou mono (por exemplo, MP3 ou Leitor de CDs) na entrada Auxiliar (marcado como ‘AUX IN’), o altifalante irá trocar o modo Bluetooth para o modo de entrada auxiliar.
2. Ajuste o volume no seu MP3 ou Leitor de CDs para garantir um sinal adequado e ajuste o volume no altifalante para uma audição confortável.

### Nota:

Para obter a melhor qualidade de som, recomendamos que ajuste o volume para um nível de mais de dois terços no seu dispositivo de áudio e ajuste o volume no altifalante, conforme desejar.

O ecrã não irá mostrar as informações, como título, artista, álbum, etc., ao reproduzir através da entrada auxiliar.

## MANUTENÇÃO

### ⚠ ATENÇÃO:

- Nunca use gasolina, benzina, diluente, álcool ou similares. Podem originar descoloração, deformação ou rachas.
- Não limpe o altifalante com água.

# ESPECIFICAÇÕES

<b>Amplificador</b>	
Energia de Saída	10.8V-12V máx: 3.5W 14.4V: 6W 18V: 10W
Resposta de Frequência	50Hz~20kHz
<b>Aux In</b>	
Sensibilidade de entrada	250mVrms @100Hz
<b>Altifalante</b>	
Altifalante Principal	101.6mm 8ohm 10W
Altifalante tweeter	36mm 8ohm 10W

<b>Bluetooth®</b>	
(A marca e o logótipo Bluetooth® são marcas comerciais registadas da Bluetooth SIG, Inc.)	
Versão Bluetooth	Certificado 5.0
Perfil Bluetooth	A2DP/SCMS-T/AVRCP
Energia de Transmissão	Energia de Classe 2
Raio de Transmissão	Ótimo: Máx. 10 metros (33 pés) Possível: Máx. 30 metros (100 pés) (varia de acordo com as condições de utilização)
Codec suportado	SBC
Perfil Bluetooth compatível	A2DP/AVRCP
Potência máxima de radiofrequência	BT EDR: 3.08dBm BT LE: 3.88dBm
Frequência de operação	2402MHz~2480MHz

<b>Entrada de carregamento USB</b>	
Potência máxima de alimentação da entrada USB	5V, 2.1A

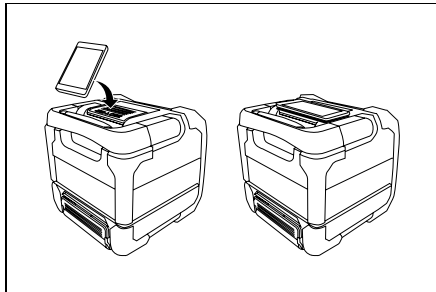
<b>Geral</b>	
Adaptador de alimentação CA	DC in 12V 1.5A, pino central positivo
Bateria	Bateria de deslize: 10.8V-12V máx 14.4V 18V
Dimensões (L x A x P)	206mm x 199mm x 217mm
Peso	2.7KG (sem bateria)

A empresa reserva-se o direito de alterar as especificações sem aviso prévio.

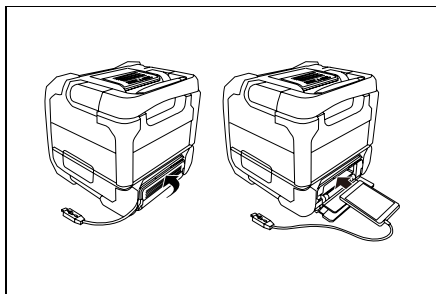
## DANSK (Originale instruktioner)

### Forklaring af generel oversigt (fig.1)

1. Batterium/Panel til montering af mobil enhed (mobiltelefon)



2. Håndtag
3. DC indgangsstik
4. Aux-indgangsstik
5. USB-opladningsstik
6. Højttaler
7. LCD display
8. Lydstyrke op-knap
9. Lydstyrke ned-knap
10. Plus-knap (Plus-parringsknap)
11. L/R-knap
12. Næste spor/Hurtig frem-knap
13. Afspil/pause-knap
14. Forrige nummer/spol tilbage-knap
15. Bluetooth-parringsknap
16. EQ-kontrolknap
17. Tænd-/sluk-knap
18. Mobilt opbevaringsskab (f.eks. mobiltelefon)



19. 14,4V/18V batteriterminal
20. 10,8V-12V maks. batteriterminal
21. Dæksel mobilt opbevaringsskab
22. Kabelhul

## SYMBOLER

I det efterfølgende vises de symboler, der anvendes for udstyret. Sørg for at du forstår deres betydning før brug.



Læs brugsanvisningen.



Kun for EU-lande.  
Smid ikke elektrisk udstyr eller batterier ud sammen med husholdningsaffald!  
Under overholdelse af de europæiske direktiver om elektrisk og elektronisk udstyr og batterier og akkumulatører og opbrugte batterier og akkumulatører og deres gennemførelse i overensstemmelse med national lovgivning skal elektrisk udstyr og batterier og batteripakker, der er nået til enden af deres levetid, indsamles separat og returneres til et miljømæssigt egnet genvindingsanlæg.

## VIGTIGE SIKKERHEDSANVISNINGER VEJLEDNING

### ⚠ ADVARSEL:

Ved brug af elektrisk værktøj bør grundlæggende sikkerhedsforanstaltninger altid følges for at reducere risikoen for brand, elektrisk stød og personskade, herunder følgende:

1. Læs omhyggeligt denne brugsanvisning og opladerens brugsanvisning før brug.
2. Må kun rengøres med en tør klud.
3. Må ikke installeres i nærheden af varmekilder såsom radiatorer, varmeapparater, ovne eller andre apparater (herunder forstærkere) der producerer varme.
4. Brug kun tilbehør/ekstraudstyr, som er godkendt af fabrikanten.
5. Tag dette apparats stik ud, hvis der opstår tordenvejr eller når det ikke skal benyttes i længere tid.
6. En eventuelt batteridrevet højttaler med integrerede batterier eller en separat batteripakke må udelukkende oplades med den oplader der er specificeret til batteriet. En oplader, der er egnet til én type batterier, kan skabe risiko for brand, hvis den anvendes sammen med en anden type batterier.
7. Brug kun de specificerede batteripakker sammen med batteridrevne højttalere. Brug af andre batterier kan medføre risiko for brand.
8. Når batteripakken ikke er i brug, skal man holde den borte fra andre metalgenstande som f.eks. papirclips, mønter, nøgler, søm, skruer eller andre små metalgenstande, der skabe forbindelse fra



den ene terminal til den anden. Kortslutning mellem batteripolerne kan forårsage gnister, forbrændinger eller brand.

9. Undgå kontakt med jordforbundne overflader såsom rør, radiatorer, komfurer og køleskabe. Der er øget risiko for elektrisk stød, hvis din krop er jordforbundet.
10. Hvis det anvendes forkert, kan der slippe væske ud af batteriet; undgå kontakt. Hvis det alligevel skulle ske, skal man skylle med vand. Hvis væsken kommer i kontakt med øjnene, skal man desuden søge lægehjælp. Væske der trænger ud af batteriet, kan forårsage irritation eller forbrændinger.
11. Brug ikke en batteripakke eller et værktøj, som er beskadiget eller modificeret. Beskadigede eller ændrede batterier kan udvise uforudsigelig adfærd, der resulterer i brand, eksplosion eller risiko for skade.
12. Udsæt ikke en batteripakke eller et værktøj for brand eller overdrevent høj temperatur. Hvis det udsættes for ild eller temperatur over 130°C (266°F), kan det forårsage eksplosion.
13. Følg alle opladningsinstruktioner, og oplad ikke batteriet eller værktøjet uden for det temperaturområde, der er angivet i vejledningen. Ukorrekt opladning eller ved temperaturer uden for det angivne område kan beskadige batteriet og øge risikoen for brand.
14. NETSTIKKET bruges som afbryder, og det skal derfor være let og hurtigt tilgængeligt
15. Brug ikke produktet ved høj lydstyrke i længere tid. For at undgå høreskader, brug produktet ved moderat lydstyrke.
16. (Kun for produkter med LCD-skærm) LCD-skærme indeholder væske, der kan forårsage irritation og forgiftning. Hvis væsken kommer i øjnene, munden eller huden, skal man området med vand og kontakte en læge.
17. Udsæt ikke produktet for regn eller våde forhold. Vand, der kommer ind i produktet, øger risikoen for elektrisk stød.
18. Dette produkt er ikke beregnet til brug af personer (herunder børn) med nedsatte fysiske, sensoriske eller mentale evner eller manglende erfaring og viden, medmindre de er under opsyn eller har fået instruktioner vedrørende brugen af produktet af en person, der er ansvarlig for deres sikkerhed. Børn skal overvåges for at sikre, at de ikke leger med produktet. Opbevar produktet utilgængeligt for børn.
19. Undgå at opvarme hjøttaleren, udsætte den for brand eller efterlade den på et varmt sted, f.eks. i nærheden af en varmekilde, udsat for direkte sollys eller i et køretøj under solskin. Dette kan medføre brand eller eksplosion og resultere i personskade.

## OPBEVAR DISSE INSTRUKTIONER

### SÆRLIGE SIKKERHEDSREGLER VEDR. BATTERIPAKKE

1. Før du bruger batteripakken, skal du læse alle instruktioner og advarselsskiltninger på (1) batterioplader, (2) batteri og (3) produktet, som batteri skal bruges i.
2. Adskil ikke batteripakken.
3. Hvis driftstiden er blevet væsentligt kortere, skal man standse driften med det samme. Det kan medføre risiko for overophedning, forbrændinger og endda eksplosion.
4. Hvis du får elektrolyt i øjnene, skal du skylle dem med rent vand og søge læge med det samme. Det kan resultere i tab af synet.
5. Man må ikke kortslutte batteripakken:
  - (1) Berør ikke terminalerne med nogen som helst elektrisk ledende materialer.
  - (2) Undgå at opbevare batteripakken i en beholder, som indeholder andre metalgenstande såsom søm, mønter, osv.
  - (3) Udsæt ikke batteripakken for vand eller regn. En eventuel kortslutning af batteriet kan medføre at der opstår en stor strømstyrke, overophedning, mulige forbrændinger og endog sammenbrud.
6. Opbevar ikke værktøjet og batteripakken på steder, hvor temperaturen kan nå eller overstige 50°C (122°F).
7. Man må ikke brænde batteripakken, selv om den er alvorligt beskadiget eller helt slidt op. Batteripakken kan eksplodere, hvis den udsættes for ild.
8. Pas på ikke at tabe batteri eller udsætte det for stød.
9. Brug ikke et beskadiget batteri.
10. For at undgå risikoen skal man læse manualen vedrørende udskiftning af batteriet inden brug. Og batteriets maksimale udløbsstrøm skal være større end eller lig med 8A.
11. Det indeholder lithium-ion-batterier, som er underlagt kravene i lovgivningen om farligt gods. For erhvervs-mæssig transport, f.eks. via tredjeparter eller fremsendelsesagenter skal særlige krav til emballering og mærkning overholdes. Ved forberedelse af forsendelse af varen er det nødvendigt at konsultere en ekspert i farligt materiale. Vær også opmærksom på mere detaljerede nationale bestemmelser. Blottede kontakter skal isoleres med tape eller andre midler, og batteriet skal pakkes på en sådan måde, at det ikke kan bevæge sig rundt i emballagen.

12. Når batteripatronen kasseres, skal den fjernes fra værktøjet og bortskaffes på et sikkert sted. Følg de lokale regler for bortskaffelse af batterier.
13. Brug kun batterierne sammen med de produkter, der er specificeret af Makita. Installation af batterier i ikke-kompatible produkter kan resultere i brand, ekstrem varmeudvikling, eksplosion eller lækage af elektrolyt.
14. Hvis værktøjet ikke bruges i længere tid, skal batteriet fjernes fra værktøjet.

**⚠ ADVARSEL:**

- **Fare for eksplosion, hvis batteriet udskiftes forkert.**
- **Udskift kun med samme eller tilsvarende type.**
- **Brug kun ægte Makita-batterier. Brug af uægte Makita-batterier eller batterier, der er modificerede, kan resultere i, at batteriet sprænges og forårsager brand, kvæstelser og andre skader. Det vil også ugyldiggøre Makita-garantien for Makita-værktøjet og opladeren.**

## **Tips til at opretholde maksimal batterilevetid**

1. Oplad batteripakken igen inden den er helt afladet. Hold op med at bruge værktøjet og oplad batteripakken, når du bemærker at værktøjets styrke mindskes.
2. Oplad aldrig en batteripakke, som allerede er fuldt opladet. Overopladning forkorter batteriets levetid.
3. Oplad batteripakken i omgivelser, der har en temperatur på 10°C - 40°C (50°F - 104°F). Lad en varm batteripakke køle ned, før den oplades.
4. Oplad batteripakken, hvis du ikke bruger den i en længere periode (mere end seks måneder).

# DRIFTSTID

\* De batteripakker som passer til denne højttaler er opført i nedenstående tabel.

\* Nedenstående tabel viser hvor lang tid enheden kan fungere på en enkelt opladning.

Batterikapacitet	Batterispænding			VED HØJTTALER-OUTPUT = 100mW Enhed: Time (ca.)	
	10.8V-12Vmaks.	14.4V	18V	Bluetooth	AUX IN
1.3Ah		BL1415		5.5	6.5
			BL1815	6.0	6.5
1.5Ah	BL1015 BL1016			8.5	9.5
		BL1415N		7.5	8.5
			BL1815N	7.5	8.5
2.0Ah	BL1020B BL1021B			11	12
			BL1820 BL1820B	10	11
3.0Ah		BL1430 BL1430B		13	14
			BL1830 BL1830B	14	16
4.0Ah	BL1040B BL1041B			22	25
		BL1440		20	22
			BL1840 BL1840B	20	22
5.0Ah		BL1450		24	27
			BL1850 BL1850B	26	29
6.0Ah		BL1460B		27	30
			BL1860B	32	35

## ADVARSEL:

**Brug kun de batterier, der angives ovenfor. Brug af andre batterikassetter kan forårsage skade og/eller brand.**

### Bemærk:

- Tabel vedrørende batteridriftstiden ovenfor er kun vejledende.
- Den faktiske driftstid kan afvige alt efter batteritypen, opladningsbetingelserne eller brugsmiljøet.

# INSTALLATION OG STRØMFORSYNING

## ⚠ ADVARSEL:

- Pas på ikke at klemme fingrene, når du åbner og lukker batteridækslet.
- Sæt batterirummets dæksel tilbage i den oprindelige position, efter at du har installeret eller fjernet batteripakken. Hvis ikke, kan batteripakken ved et uheld falde ud af højttaleren og forårsage skade på dig eller andre omkringstående personer.
- Luk og lås altid låget til batterirummet inden du flytter højttaleren.
- Sluk altid højttaleren, inden du tager batteripakken ud eller sætter den i.
- Pas på ikke at tabe højttaleren eller udsætte den for slag. Du risikere at skære dig på kabinettet, hvis det er revnet eller knækket. En beskadiget højttaler kan udvise uforudsigelig adfærd, der resulterer i brand, eksplosion eller risiko for kvæstelser.
- Hold fast i højttaleren og batteripatronen, når du installerer eller fjerner batteripatronen. Hvis du ikke holder fast i højttaleren og batteripatronen, kan de glide ud af dine hænder, hvilket kan resultere i beskadigelse af højttaleren og batteripatronen samt personskaade.

## VIGTIGT:

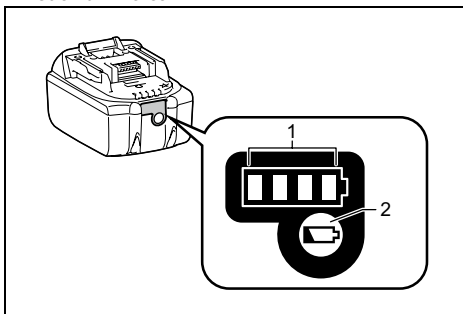
- Hvis man oplever nedsat effekt, forvrængning, "hakkende lyd" eller "lavt batteri" vises på displayet er det tegn på, at hovedbatteripakken skal udskiftes.
- Batteripakken kan ikke oplades via den medfølgende netadapter.
- Batteripakken er ikke inkluderet som standardtilbehør.

## Installation eller fjernelse af batteripakke (fig. 3 og 4)

- For at installere batteripakken, skal man placere tungen på batteripakken ud for rillen i huset og skyde den på plads. Sæt den altid hele vejen i, indtil den låses på plads med et lille klik.
- Hvis den røde indikator øverst på knappen er synlig, er batteripakken ikke låst helt fast. Sæt den helt ind, indtil den røde indikator ikke er synlig. Ellers kan den falde ud af højttaleren og skade dig eller andre personer i nærheden.
- Brug ikke overdreven kraft, når du sætter batteripakken i. Hvis patronen ikke let kan skubbes ind, er den ikke sat korrekt i.
- For at fjerne batteripakken skal du skyde den ud af højttaleren, mens du trykker på knappen på forsiden af pakken.

## Angiver den resterende batterikapacitet

\* Gælder kun batteripakker med "B" i slutningen af modelnummeret



### ➤ 1. Indikatorlamper 2. Kontrolknop

Tryk på knappen til kontrol af batteripatronen for at se den resterende batterikapacitet. Indikatorlamperne lyser i nogle få sekunder.

#### • 14,4V/18V batterier

Indikatorlamper			Resterende kapacitet
Tændt	Slukket	Blinker	
■	■	■	75% ~ 100%
■	■	■	50% ~ 75%
■	■	□	25% ~ 50%
■	□	□	0% ~ 25%
▣	□	□	Lad batteriet op
■	■	□	Batteriet kan være defekt

#### • 10,8V-12Vmaks. batterier

Indikatorlamper			Resterende kapacitet
Tændt	Slukket	Blinker	
■	■	■	75% ~ 100%
■	■	■	50% ~ 75%
■	■	□	25% ~ 50%
■	□	□	0% ~ 25%

## BEMÆRK:

Afhængigt af betingelserne for anvendelse og den omgivende temperatur, kan indikationen dog afvige lidt fra den faktiske kapacitet.

## Brug af den medfølgende lysnetadapter

Fjern gummi-beskytteren og indsæt adapterens stik i jævnstrømsstikket på højre side af højttaleren. Sæt adapteren i en standardstikkontakt. Når adapteren anvendes, afbrydes forbindelsen til batteriet automatisk.

### ⚠ ADVARSEL:

- **Afbryd altid forbindelsen til netadapteren helt, inden du flytter højttaleren. Hvis forbindelsen til vekselstrømsadapteren ikke er fuldstændigt afbrudt, kan det forårsage elektrisk stød.**
- **Træk aldrig i adapterens ledning. Hvis man gør det kan højttaleren ved et uheld falde ned og forårsage skade på dig eller andre i nærheden.**

### VIGTIGT:

- Strømforsyningen bruges til at forbinde højttaleren til elnettet. Den stikkontakt der bruges til højttaleren, skal forblive lettilgængelig under normal brug.
- For at afbryde højttaleren, skal netadapteren fjernes helt fra stikkontakten.
- Brug udelukkende den netadapter der følger med produktet, eller som er angivet af Makita.
- Undlad at komme forsyningskabel eller stik i munden. Det kan medføre elektrisk stød.
- Undlad at berøre stikket med våde eller fedtede hænder.
- Beskadigede eller sammenfiltrede ledninger øger risikoen for elektrisk stød. Hvis ledningen er beskadiget, skal den udskiftes af vores autoriserede servicecenter for at undgå en sikkerhedsrisiko. Brug den ikke før reparation.
- Efter brug skal du altid placere lysnetadapteren uden for børns rækkevidde. Hvis børn leger med ledningen, kan de komme til skade.

## USB-strømforsyningsstik

Dette stik kan bruges til at oplade en mobiltelefon eller andre enhed, der bruger mindre end 2.1A jævnstrøm. Opladningen vil kun finde sted, når højttaleren er tændt.

### Bemærk:

Sørg for, at specifikationen af din eksterne enhed, f.eks. mobiltelefon eller afspiller, er kompatibel med højttaleren. Læs brugsanvisningen til din eksterne enhed inden opladning.

### VIGTIGT:

- Før en USB-enhed sluttes til opladeren, skal der altid tages sikkerhedskopi af alle data på USB-enheden. Ellers kan dine data gå tabt af forskellige årsager.
- Opladeren kan ikke levere strøm til visse USB-enheder.

- Når stikket ikke bruges eller efter opladning, skal man fjerne USB-kablet og lukke dækslet.
- Strømkilder må ikke sluttes til USB-portene. Ellers er der risiko for brand. USB-porten er kun beregnet til opladning af lavspændingsenheder. Anbring altid dækslet på USB-porten, når den ikke benyttes til at oplade lavspændingsenheden.
- Stik ikke søm, ståltråd o.lign. i USB-strømforsyningsporten. Ellers kan en kortslutning forårsage røg og brand.
- Slut ikke dette USB-stik til din pc's USB-port, da det er meget muligt, at det kan forårsage at enhederne bryder sammen.

## LYTTE TIL MUSIK VIA BLUETOOTH-STREAMING

Du skal parre din Bluetooth-enhed med højttaleren, før du automatisk kan oprette forbindelse og afspille/streame Bluetooth-musik gennem højttaleren. Parring skaber en 'tilknytning', så to enheder kan genkende hinanden.

### Bemærk:

For at få bedre lyd kvalitet anbefaler vi, at man indstiller lydstyrken til mere end to tredjedele af fuld lydstyrke på Bluetooth-enheden og derefter juster lydstyrken på højttaleren efter behov.

## Parring af din Bluetooth-enhed for første gang

1. Tryk på tænd/sluk-knappen for at tænde for højttaleren. "Pairing" vises på displayet for at vise, at højttaleren kan opdages.
2. Aktivér Bluetooth på enheden i henhold til enhedens brugermanual for at oprette forbindelse til højttaler. Find Bluetooth-enhedslisten og vælg enheden med navnet 'DMR203'. (Med nogle mobiler som er udstyret med versioner, der er tidligere end BT2.1 Bluetooth-enhed, skal du muligvis indtaste koden "0000").
3. Når der er oprettet forbindelse, vil der lyde en bekræftelsestone. "Parret" vises på displayet. Du kan nu vælge og afspille musik fra din kildeenhed. Lydstyrken kan justeres fra din kildeenhed eller direkte på højttaleren.
4. Brug knapperne på din Bluetooth-aktiverede enhed eller på højttaleren til at afspille/pause og navigere mellem numre.

### Bemærk:

- Hvis der er tale om 2 Bluetooth-enheder, som skal parres for første gang, kan du søge efter højttaleren på dem begge, den vil være tilgængelig på begge enheder. Men hvis den ene enhed opretter forbindelse med denne enhed først, vil den ikke være at finde den på listen på den anden Bluetooth-enhed.

- Hvis din Bluetooth-enheds forbindelse til din højttaler midlertidigt afbrydes, skal du genoprette enhedens forbindelse til højttaleren manuelt.
- Hvis 'DMR203' vises i din Bluetooth-enheds liste, men enheden ikke kan oprette forbindelse til den, skal du slette elementet fra listen og parre enheden med højttaleren igen ved at følge de trin, som er beskrevet ovenfor.
- Den optimale Bluetooth-rækkevidde er ca. 10 meter (uden hindringer) til højttaleren, men en afstand på op til 30 meter er mulig.
- Hvis Bluetooth-forbindelsen går tabt på grund af overskridelse af den optimale rækkevidde, forhindringer eller andre årsager, kan det være nødvendigt at tilslutte enheden til højttaleren igen.
- Fysiske hindringer, andre trådløse enheder eller elektromagnetiske enheder kan påvirke forbindelseskvaliteten.
- Bluetooth-forbindelsens ydelse kan variere afhængigt af de tilsluttede Bluetooth-enheder. Undersøg enhedens Bluetooth-funktionalitet, inden du slutter den til din højttaler. Det er måske ikke alle funktioner der understøttes på visse parrede Bluetooth-enheder.

## Afspilning af lydfiler i Bluetooth-tilstand

Når du har oprettet forbindelse mellem højttaleren og den valgte Bluetooth-enhed, kan du begynde at afspille din musik ved hjælp af knapperne på din tilsluttede Bluetooth-enhed.

1. Når afspilning er begyndt, kan man justere lydstyrken til det ønskede niveau med lydstyrke-knapperne på højttaleren eller på den aktiverede Bluetooth-enhed.
2. Brug kontrollerne på din Bluetooth enhed til at afspille/pause og navigere i numre. Du kan også styre afspilningen ved hjælp af knapperne afspilning/pause, næste spor, tidligere spor på din højttaler .
3. Tryk og hold på Spol frem-knappen eller Tilbage-knappen for at spole gennem det aktuelle spor. Slip knappen, når det ønskede punkt er nået.

### Bemærk:

- Det er ikke alle afspilnings-apps eller -enheder der reagerer på disse kontroller.
- Nogle mobiltelefoner afbryder midlertidigt forbindelsen til din højttaler, når du foretager eller modtager opkald. Nogle enheder dæmper midlertidigt deres Bluetooth-lydafspilning, når de modtager SMS-beskeder, e-mails eller af andre grunde, som ikke er relateret til lyd streaming. Sådanne effekter stammer fra den tilsluttede enhed, og indikerer ikke at der er noget i vejen med din højttaler.
- Displayet viser informationen om spor såsom titel, kunstner, album osv. når du afspiller i Bluetooth-tilstand.

## Afspilning af en tidligere parret Bluetooth-kildeenhed

Din højttaler kan huske op til 8 sæt af parrede enheder. Når antallet overstiger dette, vil den først parrede enhed blive slettet fra hukommelsen. Hvis din Bluetooth-enhed allerede er blevet parret med højttaleren tidligere, vil enheden huske din Bluetooth-enhed, og den vil forsøge at genoprette forbindelsen med en enhed i hukommelsen, som tidligere er blevet tilsluttet. Hvis den senest tilsluttede enhed ikke er tilgængelig, vil højttaleren være synlig for andre Bluetooth-enheder.

## Afbryde forbindelsen til din Bluetooth-enhed

Tryk og hold på Bluetooth-parringsknappen i 2-3 sekunder, indtil "Pairing" vises på displayet for at afbryde forbindelsen med din Bluetooth-enhed eller sluk for Bluetooth på din Bluetooth-enhed for at deaktivere forbindelsen.

## Sletning af enhedshukommelse for Bluetooth-pardannelse

For at rydde hukommelsen for alle parrede enheder skal du trykke på Bluetooth-parringsknappen og holde den inde i mere end 5 sekunder, indtil du hører to bip.

## ÆGTE TRÅDLØS STEREO (TWS - TRUE WIRELESS STEREO) FUNKTION

Ægte trådløs stereo (TWS) er en funktion, der gør det muligt for en enhed at oprette trådløs forbindelse til en anden enhed. Du kan bruge TWS-funktionen til at oprette forbindelse til en anden DMR203 og afspille din musik gennem to højttalere.

### Indstil den første højttaler

1. Sørg for, at den første højttaler er i Bluetooth-tilstand, og opret forbindelse til en Bluetooth-enhed.
2. Tryk på Plus-knappen, på displayet vises **[ST] • MULTI** . **[ST]** vil blinke på displayet. Tryk på Plus-knappen for at åbne "ST Pair" -tilstand. Hvis der ikke trykkes på nogen knapper i 10 sekunder, åbner højttaleren også "ST Pair"-tilstanden. Displayet viser "ST Pair", og "Pair" blinker i 1 minut.

### Indstil den anden højttaler

1. Sørg for, at den anden højttaler er i Bluetooth-tilstand.
2. Tryk på Plus-knappen, på displayet vises **[ST] • MULTI** . **[ST]** vil blinke på displayet. Tryk på Plus-knappen for at åbne "ST Pair" -tilstand. Hvis der ikke trykkes på nogen knapper i 10 sekunder, åbner højttaleren også "ST Pair"-tilstanden. Når forbindelsen er oprettet, vises **[L] • [ST] • R** samtidig på begge skærme.

EQ-indstillingen vender tilbage til Flad tilstand (startindstilling).

#### Bemærk:

Indstil den anden højttaler inden for 1 minut. Hvis du ikke indstiller den inden for 1 minut, annulleres indstillingen af den første højttaler.

### Start afspilning

1. Start afspilningen på den tilsluttede Bluetooth-enhed, og juster lydstyrken på Bluetooth-enheden eller en af højttalerne efter behag.

#### Bemærk:

Volumen eller EQ (omfatter ikke bas/mellemtone/diskant) justering af den ene højttaler afspejles på den anden.

2. Brug kontrollerne på din Bluetooth enhed til at afspille/pause og navigere i numre. Du kan også styre afspilningen ved hjælp af knapperne afspilning/pause, næste spor, tidligere spor på den ene af højttalerne. Displayet på den første højttaler viser sporinformationer såsom titel, kunstner, album osv.
3. Tryk og hold på Spol frem-knappen eller Tilbage-knappen på en af højttalerne for at spole gennem det aktuelle spor. Slip knappen, når det ønskede punkt er nået.

### Skifte af lydtilstand

1. Når du benytter to højttalere kan du skifte mellem tilstanden **L - STJ - R**, **R - STJ - R** og **L - STJ - L**.
2. Tryk på L/R-knappen på en af højttalerne for at ændre lydtilstanden.
3. **L - STJ - R -tilstand:** Begge højttalere afspiller den samme lyd. Dette er den oprindelige indstilling.
4. **Tilstanden R - STJ - R og L - STJ - L:** Den ene højttaler afspiller lyden i højre kanal, mens den anden højttaler afspiller lyden i venstre kanal for at opnå stereoafspilning gennem højttalerne.

### Deaktivering af TWS-funktionen

Tryk på Plus-knappen og hold den inde for at deaktivere TWS-funktionen.

## TRÅDLØS AFSPILNING GENNEM FLERE TALERE

Du kan afspille musik ved at kombinere op til 10 enheder, der er kompatible med denne funktion.

### Indstil den første højttaler

1. Sørg for, at den første højttaler er i Bluetooth-tilstand, og opret forbindelse til en Bluetooth-enhed.
2. Tryk på Plus-knappen, på displayet vises **STJ** **MULTI**.
3. Vælg **MULTI** ved at trykke på L/R-knappen. **MULTI** vil blinke på displayet. Tryk på Plus-knappen for at åbne

“MULTI Pair”-tilstanden. Hvis der ikke trykkes på nogen knapper i 10 sekunder, åbner højttaleren også “MULTI Pair”-tilstanden. Displayet viser “MULTI Pair”, og “Pair” blinker i 1 minut.

### Tilslut den anden og flere højttalere

1. Sørg for, at de andre højttalere alle er i Bluetooth-tilstand.
2. Tryk på Plus-knappen, på displayet vises **STJ** **MULTI**.
3. Vælg **MULTI** ved at trykke på L/R-knappen. **MULTI** vil blinke på displayet. Tryk på Plus-knappen for at åbne “MULTI Pair”-tilstand. Hvis der ikke trykkes på nogen knapper i 10 sekunder, åbner højttaleren også “MULTI Pair”-tilstanden. Når forbindelsen er oprettet, viser displayet på den første højttaler “PARENT” (masterhøjttaleren), og de andre displays viser alle “CHILD” (den sekundære højttaler). EQ-indstillingen vender tilbage til Flad tilstand (startindstilling).

#### Bemærk:

Når du tilslutter den anden og yderligere højttalere, skal du tilslutte dem inden for 1 minut efter indstillingen af den første højttaler. Efter 1 minut kan højttaleren ikke længere tilsluttes.

### Tilføj en ny sekundær højttaler

- Hvis du vil tilføje en yderligere højttaler efter tilslutningen, skal du benytte følgende fremgangsmåde:
1. Sørg for, at den nye højttaler er i Bluetooth-tilstand.
  2. Tryk på Plus-knappen på masterhøjttaleren, displayet viser “MULTI ADD” og “ADD” blinker på displayet.
  3. Tryk på Plus-knappen på den nye højttaler, displayet viser **STJ** **MULTI**.
  4. Vælg **MULTI** ved at trykke på L/R-knappen. **MULTI** vil blinke på displayet. Tryk på Plus-knappen for at åbne “MULTI Pair”-tilstand. Hvis der ikke trykkes på nogen knapper i 10 sekunder, åbner højttaleren også “MULTI Pair”-tilstanden. Når forbindelsen er oprettet, vises “CHILD” (den sekundære højttaler) på den nye højttaler. EQ-indstillingen vender tilbage til Flad tilstand (startindstilling).

### Start afspilning

1. Start afspilningen på den tilsluttede Bluetooth-enhed, og juster lydstyrken på Bluetooth-enheden eller på højttalerne efter behag. Den samme musik spilles fra alle højttalere.

#### Bemærk:

Justering af lydstyrke eller EQ (omfatter ikke bas/mellemtone/diskant) på masterhøjttaleren synkroniseres med de andre højttalere. På andre højttalere kan du justere lydstyrken eller EQ individuelt for hver højttaler.

2. Brug kontrollerne på din Bluetooth enhed til at afspille/pause og navigere i numre. Du kan

også styre afspilningen ved hjælp af knapperne afspilning/pause, næste spor, tidligere spor på masterhøjttaleren. Displayet på masterhøjttaleren viser sporinformationer såsom titel, kunstner, album osv.

- Tryk og hold på Spol frem-knappen eller Tilbage-knappen på masterhøjttaleren for at spole gennem det aktuelle spor. Slip knappen, når det ønskede punkt er nået.

### Frakobling af flere højttalere

- For kun at afbryde én sekundær højttaler skal du trykke på plusknappen på den sekundær højttaler, du vil afbryde forbindelsen til.
- For at afbryde alle forbindelser og forlade gruppen med flere højttalere skal du trykke på Plus-knappen på masterhøjttaleren og holde den inde.

### Equalizer-funktion

- Tryk på tænd/sluk-knappen for at tænde for din højttaler.
- Tryk på EQ-kontrolknappen for at vælge den ønskede tilstand (FLAT/JAZZ/ROCK/CLASSIC/POP/NEWS).
- For at indstille bas, mellemtone og diskant skal du trykke på EQ-kontrolknappen, indtil "Bass" blinker på displayet.
- Tryk på knappen Lydstyrke op/ned for at vælge det ønskede basniveau. Press the EQ control button to confirm the setting and enter the "Mid." (Mellemtone).
- Tryk på knappen Lydstyrke op/ned for at vælge det ønskede mellemtoneniveau. Tryk på EQ-kontrolknappen for at bekræfte indstillingen og åbne indstilling af "Tre." (Diskant).
- Tryk på knappen Lydstyrke op/ned for at vælge det ønskede diskantniveau. Tryk på EQ-kontrolknappen for at bekræfte indstillingen.

### Afspilning af musik via aux-indgangsstikket

Der er et 3,5mm aux-indgangsstik på højre side af enheden, som gør det muligt at overføre et lydsignal til enheden fra enhver enhed, der har en hovedtelefon- eller lydudgang, såsom en MP3- eller CD-afspiller.

- Tilslut en stereo- eller monolydkilde (for eksempel MP3- eller CD-afspiller) til aux-indgangsstikket (markeret 'AUX IN'), hvorefter højttaleren skifter fra Bluetooth til aux-indgangstilstand.
- Juster lydstyrkeindstillingen på din MP3- eller CD-afspiller for at sikre et tilstrækkeligt signal, og juster derefter lydstyrken på højttaleren efter behag.

#### Bemærk:

For at få bedre lyd kvalitet anbefaler vi, at man indstiller lydstyrken til mere end to tredjedele af fuld lydstyrke på

enheden og derefter juster lydstyrken på højttaleren efter behov.

Displayet viser ikke oplysninger såsom titel, kunstner, album osv., når der afspilles via aux-indgangsstikket.

### VEDLIGEHODELSE

#### ⚠ FORSIGTIG:

- Brug aldrig benzin, rensebenzin, fortynder, alkohol eller lignende. Det kan medføre misfarvning, deformation eller revner.
- Vask ikke højttaleren med vand.



# SPECIFIKATION

<b>Forstærker</b>	
Udgangseffekt	10.8V-12Vmaks: 3.5W 14.4V: 6W 18V: 10W
Frekvensområde	50Hz~20kHz
<b>Aux In</b>	
Indgangsfølsomhed	250mVrms @100Hz
<b>Højtaler</b>	
Hovedhøjtaler	101.6mm 8ohm 10W
Diskanthøjtaler	36mm 8ohm 10W

<b>Bluetooth®</b> (Bluetooth®-ordmærket og logoerne er registrerede varemærker ejet af Bluetooth SIG, Inc.)	
Bluetooth version	5.0 certificeret
Bluetooth-profil	A2DP/SCMS-T/AVRCP
Sendeeffekt	Effektklasse 2
Transmissionsrækkevidde	Optimal: Maks. 10 meter (33 fod) Mulig: Maks. 30 meter (100 fod) (varierer afhængigt af brugsbetingelserne)
Understøttet codec	SBC
Kompatibel Bluetooth-profil	A2DP/AVRCP
Maksimal højtalerfrekvens-effekt:	BT EDR: 3.08dBm BT LE: 3.88dBm
Driftsfrekvens	2402MHz~2480MHz

<b>USB-opladningsstik</b>	
Maksimal strømforsyning af USB-stikket	5V, 2.1A

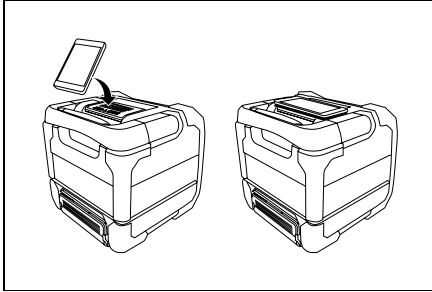
<b>Generelt</b>	
Vekselstrømsadapter	DC ind 12V 1,5A, stikkets midte er positiv
Batteri	Batteri: 10.8V-12Vmaks. 14.4V 18V
Dimensioner (B x H x D)	206mm × 199mm × 217mm
Vægt	2,7kg (uden batteri)

Firmaet forbeholder sig ret til at ændre specifikationerne uden varsel.

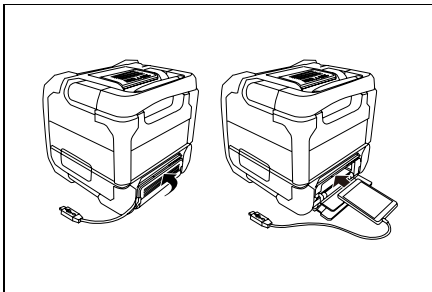
# ΕΛΛΗΝΙΚΑ (Πρωτογενείς οδηγίες)

## ΕΠΕΞΗΓΗΣΗ ΤΗΣ ΓΕΝΙΚΗΣ ΑΠΟΨΗΣ (Εικ1)

1. Διαμέρισμα μπαταρίας/Κινητός πίνακας τοποθέτησης (κινητό τηλέφωνο)



2. Λαβή
3. Υποδοχή DC in
4. Βοθηθική υποδοχή εισόδου
5. Υποδοχή φόρτισης USB
6. Ηχείο
7. Οθόνη LCD
8. Κουμπί αύξησης έντασης ήχου
9. Κουμπί μείωσης έντασης ήχου
10. Κουμπί Plus (κουμπί αντιστοίχισης Plus)
11. Κουμπί L/R
12. Κουμπί επόμενου κομματιού/Κουμπί γρήγορης προώθησης
13. Κουμπί αναπαραγωγής/παύσης
14. Προηγούμενο κομμάτι/Κουμπί ανατύλιξης
15. Κουμπί αντιστοίχισης Bluetooth
16. Κουμπί ελέγχου EQ
17. Κουμπί τροφοδοσίας
18. Χώρος αποθήκευσης φορητής συσκευής (Κινητό τηλέφωνο)



19. Ακροδέκτης μπαταρίας 14,4V/18V
20. Ακροδέκτης μπαταρίας μέγ. 10,8V-12Vmax
21. Κάλυμμα χώρου φορητού μέσου αποθήκευσης

## 22. Τρύπα καλωδίου

## ΣΥΜΒΟΛΑ

Τα παρακάτω απεικονίζουν τα σύμβολα που χρησιμοποιούνται για τον εξοπλισμό. Βεβαιωθείτε ότι έχετε κατανοήσει τη σημασία τους πριν από τη χρήση.



Διαβάστε το εγχειρίδιο οδηγιών.



Μόνο για τις χώρες της ΕΕ.

Μην απορρίπτετε ηλεκτρικό εξοπλισμό ή μπαταρίες μαζί με τα οικιακά απορρίμματα! Σύμφωνα με τις ευρωπαϊκές οδηγίες για τα απόβλητα ηλεκτρικού και ηλεκτρονικού εξοπλισμού και μπαταριών και συσσωρευτών και αποβλήτων μπαταριών και συσσωρευτών και την εφαρμογή τους σύμφωνα με την εθνική νομοθεσία, τον ηλεκτρικό εξοπλισμό και τις μπαταρίες και τους συσσωρευτές που έχουν φθάσει στο τέλος της ζωής τους, πρέπει να τον συλλέγετε ξεχωριστά και να τον επιστρέψετε σε περιβαλλοντικά συμβατή εγκατάσταση ανακύκλωσης.

## ΣΗΜΑΝΤΙΚΕΣ ΟΔΗΓΙΕΣ ΑΣΦΑΛΕΙΑΣ

### ⚠ ΠΡΟΕΙΔΟΠΟΙΗΣΗ:

Όταν χρησιμοποιείτε ηλεκτρικά εργαλεία, θα πρέπει πάντα να τηρείτε τις βασικές προφυλάξεις ασφαλείας για να μειώσετε τον κίνδυνο πυρκαγιάς, ηλεκτροπληξίας και τραυματισμού, συμπεριλαμβανομένων των εξής:

1. Διαβάστε προσεκτικά αυτό το εγχειρίδιο οδηγιών και το εγχειρίδιο οδηγιών του φορτιστή πριν τη χρήση.
2. Καθαρίζετε μόνο με στεγνό πανί.
3. Μην εγκαθιστάτε κοντά σε πηγές θερμότητας όπως θερμαντικά σώματα, θερμαντήρες, σόμπες ή άλλες συσκευές (συμπεριλαμβανομένων των ενισχυτών) που παράγουν θερμότητα.
4. Χρησιμοποιείτε μόνο εξαρτήματα/αξεσουάρ που καθορίζονται από τον κατασκευαστή.
5. Αποσυνδέστε τη συσκευή από το ρεύμα κατά τη διάρκεια καταιγίδων με κεραυνούς ή όταν δεν χρησιμοποιείται για μεγάλες χρονικές περιόδους.
6. Ένα ηχείο μπαταρίας με ενσωματωμένες μπαταρίες ή ξεχωριστή μπαταρία πρέπει να επαναφορτίζεται μόνο με τον καθορισμένο φορτιστή για την μπαταρία. Ένας φορτιστής που μπορεί να είναι κατάλληλος για έναν τύπο μπαταρίας μπορεί να δημιουργήσει

- κίνδυνο πυρκαγιάς όταν χρησιμοποιείται με άλλη μπαταρία.
7. Χρησιμοποιήστε ηχείο που λειτουργεί με μπαταρία μόνο με ειδικές μπαταρίες. Η χρήση οποιωνδήποτε άλλων μπαταριών μπορεί να δημιουργήσει κίνδυνο πυρκαγιάς.
  8. Όταν η μπαταρία δεν χρησιμοποιείται, κρατήστε την μακριά από άλλα μεταλλικά αντικείμενα όπως: συνδετήρες, νομίσματα, κλειδιά, καρφιά, βίδες ή άλλα μικρά μεταλλικά αντικείμενα που μπορούν να συνδέσουν τον ένα ακροδέκτη με τον άλλο. Το βραχυκύκλωμα των ακροδεκτών της μπαταρίας μπορεί να προκαλέσει σπινθήρες, εγκαυματα ή πυρκαγιά.
  9. Αποφύγετε την επαφή του σώματος με γειωμένες επιφάνειες, όπως σωλήνες, θερμαντικά σώματα, κουζίνες και ψυγεία. Υπάρχει αυξημένος κίνδυνος ηλεκτροπληξίας εάν το σώμα σας είναι γειωμένο.
  10. Σε καταχρηστικές συνθήκες, μπορεί να εκτοξευθεί υγρό από την μπαταρία· αποφύγετε την επαφή. Σε περίπτωση τυχαίας επαφής, ξεπλύνετε με νερό. Αν το υγρό έρθει σε επαφή με τα μάτια, ζητήστε επιπλέον ιατρική βοήθεια. Το υγρό που εκτοξεύεται από την μπαταρία μπορεί να προκαλέσει ερεθισμό ή εγκαυματα.
  11. Μην χρησιμοποιείτε μπαταρία ή εργαλείο που είναι κατεστραμμένο ή τροποποιημένο. Οι κατεστραμμένες ή τροποποιημένες μπαταρίες ενδέχεται να παρουσιάσουν απρόβλεπτη συμπεριφορά με αποτέλεσμα πυρκαγιά, έκρηξη ή κίνδυνο τραυματισμού.
  12. Μην εκθέτετε μπαταρία ή εργαλείο σε φωτιά ή υπερβολική θερμοκρασία. Η έκθεση σε φωτιά ή η θερμοκρασία πάνω από 130°C (266 °F) μπορεί να προκαλέσει έκρηξη.
  13. Ακολουθήστε όλες τις οδηγίες φόρτισης και μην φορτίζετε την μπαταρία ή το εργαλείο εκτός του εύρους θερμοκρασίας που καθορίζεται στις οδηγίες. Η λανθασμένη φόρτιση ή σε θερμοκρασίες εκτός του καθορισμένου εύρους μπορεί να καταστρέψει την μπαταρία και να αυξήσει τον κίνδυνο πυρκαγιάς.
  14. Το φως ΡΕΥΜΑΤΟΣ χρησιμοποιείται ως διάταξη αποσύνδεσης και πρέπει να είναι άμεσα προσβάσιμο.
  15. Μην χρησιμοποιείτε το προϊόν σε υψηλή ένταση για μεγάλο χρονικό διάστημα. Για να αποφύγετε βλάβες της ακοής, χρησιμοποιήστε το προϊόν σε μέτρια επίπεδα έντασης ήχου.
  16. (Για προϊόντα με οθόνη LCD μόνο) Οι οθόνες LCD περιλαμβάνουν υγρό που μπορεί να προκαλέσει ερεθισμό και δηλητηρίαση. Εάν το υγρό εισχωρήσει στα μάτια, το στόμα ή το δέρμα, ξεπλύνετε με νερό και καλέστε γιατρό.
  17. Μην εκθέτετε το προϊόν σε βροχή ή σε υγρές συνθήκες. Η διείσδυση νερού στο προϊόν θα αυξήσει τον κίνδυνο ηλεκτροπληξίας.
  18. Το προϊόν αυτό δεν προορίζεται για χρήση από άτομα (συμπεριλαμβανομένων παιδιών) με μειωμένες σωματικές, αισθητηριακές ή διανοητικές ικανότητες ή έλλειψη εμπειρίας και γνώσης, εκτός εάν τους παρασχεθούν επίβλεψη ή οδηγίες σχετικά με τη χρήση του προϊόντος από άτομο υπεύθυνο για την ασφάλειά τους. Τα παιδιά θα πρέπει να επιβλέπονται για να βεβαιωθείτε ότι δεν παίζουν με το προϊόν. Αποθηκεύστε το προϊόν μακριά από παιδιά.
  19. Μην θερμάνετε ή εκθέσετε το ηχείο σε φωτιά ή το αφήσετε τον σε μια θερμή θέση, όπως κοντά σε μια πηγή θερμότητας, εκτεθειμένο στο άμεσο ηλιακό φως ή μέσα σε ένα όχημα κάτω από δυνατό ήλιο. Κάτι τέτοιο μπορεί να προκαλέσει πυρκαγιά ή έκρηξη και να προκαλέσει τραυματισμό.

## ΦΥΛΑΞΤΕ ΑΥΤΕΣ ΤΙΣ ΟΔΗΓΙΕΣ

### ΕΙΔΙΚΟΙ ΚΑΝΟΝΕΣ ΑΣΦΑΛΕΙΑΣ ΓΙΑ ΚΑΣΕΤΑ ΜΠΑΤΑΡΙΑΣ

1. Πριν χρησιμοποιήσετε την κασέτα μπαταρίας, διαβάστε όλες τις οδηγίες και τις προειδοποιητικές ενδείξεις σε (1) φορτιστή μπαταρίας, (2) μπαταρία και (3) προϊόν που χρησιμοποιεί τη μπαταρία.
2. Μην αποσυναρμολογείτε την κασέτα μπαταρίας.
3. Εάν ο χρόνος λειτουργίας έχει μειωθεί υπερβολικά, σταματήστε αμέσως τη χρήση. Μπορεί να προκύψει κίνδυνος υπερθέρμανσης, πιθανών εγκαυμάτων και ακόμη και έκρηξης.
4. Αν ο ηλεκτρολύτης πέσει στα μάτια σας, ξεπλύνετε τα με καθαρό νερό και αναζητήστε αμέσως ιατρική βοήθεια. Μπορεί να οδηγήσει σε απώλεια της όρασης.
5. Μην βραχυκυκλώνετε την κασέτα μπαταρίας:
  - (1) Μην αγγίζετε τους ακροδέκτες με οποιοδήποτε αγωγίμο υλικό.
  - (2) Αποφύγετε την αποθήκευση της κασέτας μπαταρίας σε δοχείο με άλλα μεταλλικά αντικείμενα όπως καρφιά, νομίσματα κλπ.
  - (3) Μην εκθέτετε την κασέτα μπαταρίας σε νερό ή βροχή. Η βραχυκύκλωσή της μπορεί να προκαλέσει μεγάλη ροή ρεύματος, υπερθέρμανση, πιθανά εγκαυματα και ακόμη και βλάβη.
6. Μην αποθηκεύετε το εργαλείο και την κασέτα μπαταρίας σε σημεία όπου η θερμοκρασία μπορεί να φτάσει ή να ξεπεράσει τους 50°C (122°F).
7. Μην αποτεφρώνετε την κασέτα μπαταρίας, ακόμη και αν έχει υποστεί σοβαρή ζημιά ή είναι εντελώς

- φθαρμένη. Η κασέτα μπαταρίας μπορεί να εκραγεί σε περίπτωση πυρκαγιάς.
8. Προσέξτε να μην σας πέσει ή να χτυπήσει η μπαταρία.
  9. Μην χρησιμοποιείτε φθαρμένη μπαταρία.
  10. Για να αποφύγετε τον κίνδυνο, θα πρέπει να διαβάσετε το εγχειρίδιο αντικατάστασης της μπαταρίας πριν από τη χρήση. Και το μέγιστο ρεύμα αποφόρτισης της μπαταρίας πρέπει να είναι μεγαλύτερο ή ίσο με 8A.
  11. Οι μπαταρίες ιόντων λιθίου που περικλείονται υπόκεινται στις απαιτήσεις της νομοθεσίας περί επικίνδυνων εμπορευμάτων. Για τις εμπορικές μεταφορές, π.χ. από τρίτους, μεταφορείς, πρέπει να τηρούνται οι ειδικές απαιτήσεις συσκευασίας και επισήμανσης.  
Για την προετοιμασία του αντικειμένου που αποστέλλεται, απαιτείται η συμβουλή ειδικού για επικίνδυνα υλικά. Τηρήστε επίσης ενδεχομένως πιο λεπτομερείς εθνικούς κανονισμούς.  
Βγάλτε ή αποκρύψτε τις ανοιχτές επαφές και συσκευάστε την μπαταρία με τέτοιο τρόπο ώστε να μην μπορεί να μετακινηθεί στη συσκευασία.
  12. Κατά την απόρριψη της κασέτας μπαταρίας, αφαιρέστε την από το εργαλείο και απορρίψτε την σε ασφαλές μέρος. Ακολουθήστε τους τοπικούς κανονισμούς σχετικά με τη διάθεση της μπαταρίας.
  13. Χρησιμοποιείτε τις μπαταρίες μόνο με τα προϊόντα που καθορίζει η Makita. Η τοποθέτηση των μπαταριών σε μη συμμορφούμενα προϊόντα μπορεί να προκαλέσει πυρκαγιά, υπερβολική θερμότητα, έκρηξη ή διαρροή ηλεκτρολύτη.
  14. Εάν το εργαλείο δεν χρησιμοποιείται για μεγάλο χρονικό διάστημα, η μπαταρία πρέπει να αφαιρεθεί από το εργαλείο.

#### **⚠ ΠΡΟΣΟΧΗ:**

- **Κίνδυνος έκρηξης σε περίπτωση λανθασμένης αντικατάστασης της μπαταρίας.**
- **Αντικαταστήστε μόνο με τον ίδιο ή ισοδύναμο τύπο.**
- **Χρησιμοποιείτε μόνο γνήσιες μπαταρίες Makita. Η χρήση μη γνήσιων μπαταριών Makita ή αλλοιωμένων μπαταριών ενδέχεται να προκαλέσει έκρηξη της μπαταρίας προκαλώντας πυρκαγιές, τραυματισμούς και ζημιές. Θα ακυρώσει επίσης την εγγύηση της Makita για το εργαλείο Makita και τον φορτιστή.**

## **Συμβουλές για τη μέγιστη διάρκεια ζωής της μπαταρίας**

1. Φορτίστε την κασέτα της μπαταρίας πριν αποφορτιστεί πλήρως. Να σταματάτε πάντα τη λειτουργία του εργαλείου και να φορτίζετε την κασέτα μπαταρίας όταν παρατηρήσετε λιγότερη ισχύ του

εργαλείου.

2. Ποτέ μην επαναφορτίζετε μια πλήρως φορτισμένη κασέτα μπαταρίας. Η υπερφόρτιση μειώνει τη διάρκεια ζωής της μπαταρίας.
3. Φορτίστε την κασέτα μπαταρίας σε θερμοκρασία δωματίου στους 10°C - 40°C (50°F - 104°F). Αφήστε μια ζεστή κασέτα μπαταρίας να κρυώσει πριν την φορτίσετε.
4. Αν δεν την χρησιμοποιείτε για μεγάλο χρονικό διάστημα (περισσότερο από έξι μήνες), φορτίστε την κασέτα της μπαταρίας.

# ΧΡΟΝΟΣ ΛΕΙΤΟΥΡΓΙΑΣ

\* Τα κατάλληλα πακέτα μπαταριών για αυτό το ηχείο αναφέρονται στον παρακάτω πίνακα.

\* Ο παρακάτω πίνακας δείχνει τον χρόνο λειτουργίας με μία μόνο φόρτιση.

Χωρητικότητα μπαταρίας	Τάση κασέτας μπαταρίας			ΣΕ ΕΞΟΔΟ ΗΧΟΥ = 100mW Μονάδα: Ωρα (περίπου)	
	10,8V-12Vmax	14,4V	18V	Bluetooth	AUX IN
1,3Ah		BL1415		5.5	6.5
			BL1815	6.0	6.5
1,5Ah	BL1015 BL1016			8.5	9.5
		BL1415N		7.5	8.5
			BL1815N	7.5	8.5
2,0Ah	BL1020B BL1021B			11	12
			BL1820 BL1820B	10	11
3,0Ah		BL1430 BL1430B		13	14
			BL1830 BL1830B	14	16
4,0Ah	BL1040B BL1041B			22	25
		BL1440		20	22
			BL1840 BL1840B	20	22
5,0Ah		BL1450		24	27
			BL1850 BL1850B	26	29
6,0Ah		BL1460B		27	30
			BL1860B	32	35

## **⚠ ΠΡΟΕΙΔΟΠΟΙΗΣΗ:**

Χρησιμοποιείτε μόνο τις κασέτες μπαταρίας που αναφέρονται παραπάνω. Η χρήση οποιωνδήποτε άλλων κασετών μπαταρίας μπορεί να προκαλέσει τραυματισμό ή/και πυρκαγιά.

## **ΣΗΜΕΙΩΣΗ:**

- Ο πίνακας σχετικά με τον χρόνο λειτουργίας της μπαταρίας παραπάνω είναι μόνο για αναφορά.
- Ο πραγματικός χρόνος λειτουργίας μπορεί να διαφέρει ανάλογα με τον τύπο της μπαταρίας, την κατάσταση φόρτισης ή το περιβάλλον χρήσης.

# ΕΓΚΑΤΑΣΤΑΣΗ ΚΑΙ ΠΑΡΟΧΗ ΤΡΟΦΟΔΟΣΙΑΣ

## ⚠ ΠΡΟΣΟΧΗ:

- Προσέξτε να μην πιέξετε τα δάχτυλά σας όταν ανοίγετε και κλείνετε το κάλυμμα της μπαταρίας.
- Επαναφέρετε το ντουλάπι της θήκης μπαταριών στην αρχική θέση, αφού εγκαταστήσετε ή αφαιρέσετε το φυσίγγιο μπαταρίας. Εάν όχι, το φυσίγγιο μπαταρίας μπορεί να πέσει κατά λάθος από το ηχείο, προκαλώντας τραυματισμό σε εσάς ή σε κάποιον γύρω σας.
- Κλείνετε πάντα και ασφαλίστε το ντουλάπι θήκης μπαταρίας πριν μετακινήσετε το ηχείο.
- Σβήνετε πάντα το ηχείο πριν τοποθετήσετε ή αφαιρέσετε την κασέτα μπαταρίας.
- Προσέξτε να μην σας πέσει ή χτυπήσει το ηχείο. Το σπασμένο περίβλημα μπορεί να κόψει το δάχτυλό σας ή να καρφωθεί το σώμα σας. Το κατεστραμμένο ηχείο μπορεί να παρουσιάζει απρόβλεπτη συμπεριφορά με αποτέλεσμα πυρκαγιά, έκρηξη ή κίνδυνο τραυματισμού.
- Κρατήστε σταθερά το ηχείο και την κασέτα της μπαταρίας κατά την εγκατάσταση ή την αφαίρεση της κασέτας μπαταρίας. Αν δεν κρατήσετε σταθερά το ηχείο και την κασέτα μπαταρίας μπορεί να γλιστρήσουν τα χέρια σας και να προκληθεί βλάβη στο ηχείο και την κασέτα μπαταρίας και τραυματισμός.

## ΣΗΜΑΝΤΙΚΟ:

- Μειωμένη ισχύς, παραμόρφωση, "διακοπές ήχου" ή όταν εμφανίζεται στην οθόνη η ένδειξη "Χαμηλή μπαταρία" είναι όλα ενδείξεις ότι το πακέτο κύριας μπαταρίας πρέπει να αντικατασταθεί.
- Η κασέτα μπαταρίας δεν μπορεί να φορτιστεί μέσω του παρεχόμενου μετασχηματιστή AC.
- Η κασέτα μπαταρίας δεν περιλαμβάνεται ως στάνταρ αξεσουάρ.

## Τοποθετήστε ή αφαιρέστε τη κασέτα συρόμενων μπαταριών (Εικ. 3 και 4)

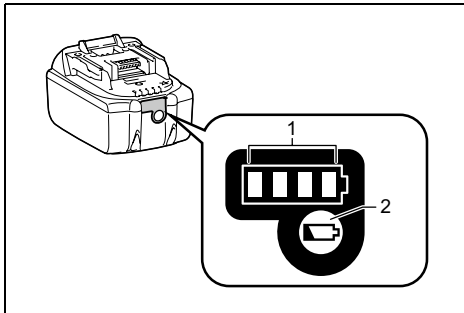
- Για να τοποθετήσετε την κασέτα της μπαταρίας, ευθυγραμμίστε τη γλώσσα στην κασέτα μπαταρίας με την αυλάκωση στο περίβλημα και σπρώξτε τη στη θέση της. Πάντα να την τοποθετείτε μέχρι τέρμα ώστε να ασφαλίσει στη θέση της με ένα μικρό κλικ.
- Εάν μπορείτε να δείτε την κόκκινη ένδειξη στην επάνω πλευρά του κουμπιού, δεν έχει ασφαλίσει εντελώς. Ωθήστε την μέχρι τέρμα για να μην φαίνεται η κόκκινη ένδειξη. If not, it may accidentally fall out of the speaker, causing injury to you or someone around you.
- Μην πιέσετε κατά την τοποθέτηση της κασέτας μπαταρίας. Εάν η κασέτα δεν γλιστρά εύκολα, δεν την

τοποθετήσατε σωστά.

- Για να αφαιρέσετε την κασέτα μπαταρίας, σύρετε την από το ηχείο ενώ πατάτε το κουμπί στο μπροστινό μέρος της κασέτας.

## Υποδεικνύει την υπόλοιπη χωρητικότητα της μπαταρίας

\* Μόνο για κασέτες μπαταρίας με "B" στο τέλος του αριθμού μοντέλου



### ➤ 1. Ενδεικτικές λυχνίες 2. Κουμπί ελέγχου

Πατήστε το κουμπί ελέγχου στην κασέτα μπαταρίας για να δείτε την υπόλοιπη χωρητικότητα της μπαταρίας. Οι ενδεικτικές λυχνίες ανάβουν για μερικά δευτερόλεπτα.

### • Μπαταρίες 14,4V/18V

Ενδεικτικές λυχνίες			Υπόλοιπο χωρητικότητας
■ Αναμμένες	□ Σβηστές	▲ Αναβοσβήνουν	
■ ■ ■ ■			75% ~ 100%
■ ■ ■ □			50% ~ 75%
■ ■ □ □			25% ~ 50%
■ □ □ □			0% ~ 25%
	▲ □ □ □		Φόρτισε την μπαταρία
■ ■ □ □			Η μπαταρία ενδέχεται να έχει βλάβη
□ □ ▲ ▲			

## ● Μπαταρίες μέγ. 10,8V-12Vmax

Ενδεικτικές λυχνίες			Υπόλοιπο χωρητικότητας
■ Αναμμένες	□ Σβηστές	▬ Αναβοσβήνουν	
■ ■ ■ ■			75% ~ 100%
■ ■ ■ □			50% ~ 75%
■ ■ □ □			25% ~ 50%
■ □ □ □			0% ~ 25%

### ΣΗΜΕΙΩΣΗ:

Ανάλογα με τις συνθήκες χρήσης και τη θερμοκρασία περιβάλλοντος, η ένδειξη μπορεί να διαφέρει ελαφρώς από την πραγματική χωρητικότητα.

## Χρήση παρεχόμενου τροφοδοτικού εναλλασσόμενου ρεύματος

Αφαιρέστε το προστατευτικό καουτσούκι και τοποθετήστε το βύσμα του προσαρμογέα στην υποδοχή DC στη δεξιά πλευρά του ηχείου. Συνδέστε τον προσαρμογέα σε μια κανονική πρίζα ρεύματος. Όταν χρησιμοποιείται ο προσαρμογέας, αποσυνδέεται αυτόματα η μπαταρία.

### ▲ ΠΡΟΣΟΧΗ:

- Πριν από τη μετακίνηση του ηχείου, αποσυνδέετε πάντα τον τροφοδοτικό εναλλασσόμενου ρεύματος. Εάν ο μετασχηματιστής εναλλασσόμενου ρεύματος δεν αφαιρεθεί, μπορεί να προκληθεί ηλεκτροπληξία.
- Ποτέ μην τραβάτε και/ή σέρνετε το καλώδιο του προσαρμογέα. Αν όχι, το ηχείο μπορεί να πέσει κατά λάθος, προκαλώντας τραυματισμό σε εσάς ή σε κάποιον γύρω σας.

### ΣΗΜΑΝΤΙΚΟ:

- Ο προσαρμογέας δικτύου χρησιμοποιείται ως μέσο σύνδεσης του ηχείου στην τροφοδοσία ρεύματος. Η πρίζα ρεύματος που χρησιμοποιείται για το ηχείο πρέπει να παραμείνει προσβάσιμη κατά τη διάρκεια της κανονικής χρήσης.
- Για να αποσυνδέσετε το ηχείο, ο προσαρμογέας δικτύου πρέπει να βγει από την πρίζα.
- Χρησιμοποιήστε το τροφοδοτικό εναλλασσόμενου ρεύματος που παρέχεται μαζί με το προϊόν ή που ορίζεται μόνο από τη Makita.
- Μην κρατάτε το καλώδιο τροφοδοσίας και το βύσμα με το στόμα σας. Κάτι τέτοιο μπορεί να προκαλέσει ηλεκτροπληξία.
- Μην αγγίζετε το βύσμα με βρεγμένα ή λιπαρά χέρια.
- Τα χαλασμένα ή μπλεγμένα καλώδια αυξάνουν τον κίνδυνο ηλεκτροπληξίας. Εάν το καλώδιο είναι κατεστραμμένο, αντικαταστήστε το από το

εξουσιοδοτημένο κέντρο σέρβις μας, προκειμένου να αποφύγετε κίνδυνο για την ασφάλεια. Μην το χρησιμοποιείτε πριν από την επισκευή.

- Μετά τη χρήση, να αποθηκεύετε πάντοτε το τροφοδοτικό εναλλασσόμενου ρεύματος μακριά από παιδιά. Εάν τα παιδιά παίζουν με το καλώδιο, μπορεί να τραυματιστούν.

## Υποδοχή τροφοδοσίας USB

Αυτό το βύσμα μπορεί να χρησιμοποιηθεί για τη φόρτιση κινητού τηλεφώνου ή οποιασδήποτε άλλης συσκευής που χρησιμοποιεί λιγότερο από 2,1A συνεχούς ρεύματος.

Η φόρτιση θα πραγματοποιηθεί μόνο όταν το ηχείο είναι ενεργοποιημένο.

### Σημείωση:

/Βεβαιωθείτε ότι οι προδιαγραφές της εξωτερικής συσκευής σας όπως το κινητό τηλέφωνο ή συσκευή αναπαραγωγής είναι συμβατή με το ηχείο. Παρακαλούμε διαβάστε το εγχειρίδιο οδηγιών της εξωτερικής συσκευής πριν από τη φόρτιση.

### ΣΗΜΑΝΤΙΚΟ:

- Πριν συνδέσετε τη συσκευή USB στον φορτιστή, δημιουργήστε πάντα αντίγραφα ασφαλείας των δεδομένων της συσκευής USB. Διαφορετικά, τα δεδομένα σας ενδέχεται να χαθούν κατά πάσα πιθανότητα.
- Ο φορτιστής ενδέχεται να μην τροφοδοτεί μερικές συσκευές USB.
- Όταν δεν τον χρησιμοποιείτε ή μετά τη φόρτιση, αφαιρέστε το καλώδιο USB και κλείστε το κάλυμμα.
- Μην συνδέετε την πηγή τροφοδοσίας στη θύρα USB. Διαφορετικά, υπάρχει κίνδυνος πυρκαγιάς. Η θύρα USB προορίζεται μόνο για τη φόρτιση συσκευής χαμηλής τάσης. Τοποθετείτε πάντα το κάλυμμα στη θύρα USB όταν δεν φορτίζετε τη συσκευή χαμηλής τάσης.
- Μην βάζετε καρφί, σύρμα κ.λπ. στη θύρα τροφοδοσίας USB. Διαφορετικά, ένα βραχυκύκλωμα μπορεί να προκαλέσει καπνό και φωτιά.
- Μην συνδέετε αυτή την υποδοχή USB με τη θύρα USB του υπολογιστή σας, καθώς είναι πολύ πιθανό να προκληθεί βλάβη στις μονάδες.

## ΑΚΡΟΑΣΗ ΜΟΥΣΙΚΗΣ ΜΕΣΩ ΡΟΗΣ BLUETOOTH

Πρέπει να αντιστοιχίσετε τη συσκευή Bluetooth με το ηχείο, για να μπορέσετε να το συνδέσετε αυτόματα για αναπαραγωγή/ροή μουσικής Bluetooth μέσω του ηχείου. Η αντιστοίχιση δημιουργεί έναν δεσμό έτσι ώστε οι δύο συσκευές να μπορούν να αναγνωρίσουν η μια την άλλη.

### Σημείωση:

Για να έχετε την καλύτερη ποιότητα ήχου, σας συνιστούμε να ρυθμίσετε την ένταση του ήχου σε

επίπεδο πάνω από τα δύο τρίτα στη συσκευή Bluetooth και, στη συνέχεια, να ρυθμίσετε την ένταση ήχου στο ηχείο, όπως χρειάζεται.

## Αντιστοίχιση της συσκευής Bluetooth σας για πρώτη φορά

1. Πατήστε το κουμπί τροφοδοσίας για να ενεργοποιήσετε το ηχείο. Η ένδειξη “Αντιστοίχιση” θα εμφανιστεί στην οθόνη για να υποδείξει ότι το ηχείο μπορεί να εντοπιστεί.
2. Ενεργοποιήστε το Bluetooth στη συσκευή σας σύμφωνα με το εγχειρίδιο χρήσης της συσκευής για σύνδεση με το ηχείο. Εντοπίστε τη λίστα συσκευών Bluetooth και επιλέξτε τη συσκευή με την ονομασία “DMR203” (Σε μερικά κινητά τηλέφωνα τα οποία είναι εξοπλισμένα με παλαιότερες εκδόσεις συσκευής Bluetooth BT.2.1), μπορεί να χρειαστεί να εισαγάγετε τον κωδικό πρόσβασης “0000”).
3. Μόλις συνδεθεί, θα ακουστεί ένας ήχος επιβεβαίωσης. “Σύζευξη” Θα εμφανιστεί στην οθόνη. Μπορείτε απλά να επιλέξετε και να αναπαραγάγετε οποιαδήποτε μουσική από τη συσκευή πηγής. Ο έλεγχος έντασης ήχου μπορεί να ρυθμιστεί από τη συσκευή πηγής ή απευθείας από το ηχείο.
4. Χρησιμοποιήστε τα χειριστήρια ελέγχου της συσκευής με δυνατότητα Bluetooth ή στο ηχείο για αναπαραγωγή/παύση και πλοήγηση κομματιών.

### Σημείωση:

- Εάν 2 συσκευές Bluetooth, συνδέονται για πρώτη φορά, και οι δύο σε αναζήτηση το ηχείο, θα δείξει τη διαθεσιμότητά του και στις δύο συσκευές. Ωστόσο, εάν μια συσκευή συνδεθεί με αυτή τη μονάδα πρώτα, τότε η άλλη συσκευή Bluetooth δεν θα τη βρει στη λίστα.
- Αν η συσκευή Bluetooth σας αποσυνδεθεί προσωρινά από το ηχείο, τότε πρέπει να επανασυνδεθείτε με μη αυτόματο τρόπο ξανά στο ηχείο.
- Αν το “DMR203” εμφανίζεται στη λίστα συσκευών Bluetooth σας, αλλά η συσκευή σας δεν μπορεί να συνδεθεί με αυτό, διαγράψτε το στοιχείο από τη λίστα σας και αντιστοιχίστε τη συσκευή με το ηχείο ακολουθώντας τα βήματα που περιγράφηκαν προηγουμένως.
- Η βέλτιστη περιοχή ροής Bluetooth είναι περίπου 10 μέτρα (γραμμική θέασης) στο ηχείο, αλλά είναι εφικτή απόσταση μέχρι 30 μέτρα (100 πόδια).
- Σε περίπτωση απώλειας της σύνδεσης Bluetooth λόγω υπέρβασης του χρόνου διαχωρισμού, υπέρβασης της βέλτιστης απόστασης, εμποδίων ή με άλλο τρόπο, μπορεί να χρειαστεί να επανασυνδεθεί η συσκευή σας με το ηχείο.
- Τα φυσικά εμπόδια, άλλες ασύρματες συσκευές ή ηλεκτρομαγνητικές συσκευές ενδέχεται να επηρεάσουν την ποιότητα της σύνδεσης.
- Η απόδοση σύνδεσης Bluetooth μπορεί να διαφέρει

ανάλογα με τις συνδεδεμένες συσκευές Bluetooth. Παρακαλούμε ανατρέξτε στις δυνατότητες Bluetooth της συσκευής σας πριν τη σύνδεση με το ηχείο. Όλα τα χαρακτηριστικά μπορεί να μην υποστηρίζονται σε ορισμένες συσκευές Bluetooth.

## Αναπαραγωγή αρχείων ήχου σε λειτουργία Bluetooth

Όταν έχετε συνδέσει με επιτυχία το ηχείο με την επιλεγμένη συσκευή Bluetooth μπορείτε να αρχίσετε να αναπαραγάγετε μουσική χρησιμοποιώντας τα χειριστήρια της συνδεδεμένης συσκευής Bluetooth.

1. Αφού αρχίσει η αναπαραγωγή, ρυθμίστε την ένταση στο απαιτούμενο επίπεδο χρησιμοποιώντας τα κουμπιά έντασης του ήχου στο ηχείο ή στην ενεργοποιημένη συσκευή Bluetooth.
2. Χρησιμοποιήστε τα χειριστήρια ελέγχου της συσκευής με δυνατότητα Bluetooth για αναπαραγωγή/παύση και πλοήγηση κομματιών. Εναλλακτικά, ελέγξτε την αναπαραγωγή χρησιμοποιώντας τα κουμπιά Αναπαραγωγή/Παύση, Επόμενο κομμάτι, Προηγούμενο κομμάτι στο ηχείο.
3. Πατήστε και κρατήστε πατημένο το κουμπί γρήγορη προώθηση ή ανατύλιξη για να μετακινηθείτε στο τρέχον κομμάτι. Αφήστε το κουμπί όταν φτάσετε στο σημείο που θέλετε.

### Σημείωση:

- Μπορεί να μην ανταποκρίνονται όλες οι εφαρμογές ή συσκευές αναπαραγωγής σε όλα αυτά τα χειριστήρια.
- Ορισμένα κινητά τηλέφωνα ενδέχεται να αποσυνδεθούν προσωρινά από το ηχείο όταν πραγματοποιείτε ή λαμβάνετε κλήσεις. Ορισμένες συσκευές ενδέχεται να απενεργοποιήσουν προσωρινά τον ήχο ροής Bluetooth όταν λαμβάνουν μηνύματα κειμένου, μηνύματα ηλεκτρονικού ταχυδρομείου ή για άλλους λόγους που δεν σχετίζονται με την μετάδοση ήχου. Αυτή η συμπεριφορά εξαρτάται από τη συνδεδεμένη συσκευή και δεν υποδεικνύει σφάλμα στο ηχείο.
- Η οθόνη θα προβάλει τις πληροφορίες κομματιού όπως τίτλος, καλλιτέχνη, άλμπουμ κ.λπ. κατά την αναπαραγωγή σε λειτουργία Bluetooth.

## Αναπαραγωγή μιας προηγούμενης συνδεδεμένης συσκευής πηγής Bluetooth

Το ηχείο μπορεί να απομνημονεύσει έως και 8 σετ συνδεδεμένων συσκευών, όταν η μνήμη υπερβαίνει αυτό το πλήθος, το παλαιότερο ζεύγος στο ιστορικό θα αντικατασταθεί. Εάν η συσκευή Bluetooth σας έχει ήδη αντιστοιχιστεί με το ηχείο προηγουμένως, η μονάδα θα απομνημονεύσει τη συσκευή Bluetooth και θα προσπαθήσει να επανασυνδεθεί με τη συσκευή στη μνήμη με την οποία συνδέθηκε τελευταία. Εάν η



τελευταία συνδεδεμένη συσκευή δεν είναι διαθέσιμη, το ηχείο θα είναι ανιχνεύσιμο.

## Αποσύνδεση της συσκευής Bluetooth

Πατήστε και κρατήστε πατημένο το κουμπί αντιστοίχισης Bluetooth για 2-3 δευτερόλεπτα μέχρι να εμφανιστεί η "Αντιστοίχιση" στην οθόνη για αποσύνδεση από τη συσκευή Bluetooth ή για απενεργοποίηση του Bluetooth στη συσκευή Bluetooth για να απενεργοποιήσετε τη σύνδεση.

## Διαγραφή της μνήμης συσκευής αντιστοίχισης Bluetooth

Για να καθαρίσετε τη μνήμη όλων των αντιστοιχισμένων συσκευών, πατήστε και κρατήστε πατημένο το κουμπί αντιστοίχισης Bluetooth για πάνω από 5 δευτερόλεπτα μέχρι να ακούσετε δύο μπιπ.

## ΠΡΑΓΜΑΤΙΚΗ ΑΣΥΡΜΑΤΗ ΣΤΕΡΕΟΦΩΝΙΚΗ ΛΕΙΤΟΥΡΓΙΑ (TWS)

Η πραγματική ασύρματη στερεοφωνική λειτουργία (TWS) είναι μια λειτουργία που επιτρέπει σε μια συσκευή να συνδεθεί ασύρματα με μια άλλη συσκευή. Μπορείτε να χρησιμοποιήσετε τη λειτουργία TWS για να την συνδέσετε ένα δεύτερο DMR203 και να αναπαράγετε τη μουσική σας μέσω δύο ηχείων.

## Ρύθμιση του πρώτου ηχείου

1. Βεβαιωθείτε ότι το πρώτο ηχείο βρίσκεται σε λειτουργία Bluetooth και συνδέεται σε μια συσκευή Bluetooth.
2. Πατήστε το κουμπί Plus, η οθόνη θα προβάλει **[ST] • [MULTI]**. **[ST]** θα αναβοσβήνει στην οθόνη. Πατήστε το κουμπί Plus για να μπει σε λειτουργία "Αντιστοίχιση ST". Αν δεν πατήσετε κανένα κουμπί για 10 δευτερόλεπτα, το ηχείο θα μπει και αυτό σε λειτουργία "Αντιστοίχιση ST". Η οθόνη θα εμφανίσει "Αντιστοίχιση ST" και η ένδειξη "Αντιστοίχιση" θα αναβοσβήνει για 1 λεπτό.

## Ρυθμίστε το δεύτερο ηχείο

1. Βεβαιωθείτε ότι ένα δεύτερο ηχείο είναι σε λειτουργία Bluetooth.
2. Πατήστε το κουμπί Plus, η οθόνη θα προβάλει **[ST] • [MULTI]**. **[ST]** θα αναβοσβήνει στην οθόνη. Πατήστε το κουμπί Plus για να μπει στη λειτουργία "Αντιστοίχιση ST". Αν δεν πατήσετε κανένα κουμπί για 10 δευτερόλεπτα, το ηχείο θα μπει και αυτό σε λειτουργία "Αντιστοίχιση ST". Όταν η σύνδεση επιτευχθεί, **[L] • [ST] • [R]** θα εμφανιστεί και στις δύο οθόνες ταυτόχρονα. Η ρύθμιση EQ θα επανέλθει σε λειτουργία Flat (αρχική ρύθμιση).

## Σημείωση:

Ρυθμίστε το δεύτερο ηχείο μέσα σε 1 λεπτό. Εάν δεν το ρυθμίσετε εντός 1 λεπτού, η ρύθμιση του πρώτου ηχείου ακυρώνεται.

## Ξεκινήστε την αναπαραγωγή

1. Ξεκινήστε την αναπαραγωγή στη συνδεδεμένη συσκευή Bluetooth και ρυθμίστε την ένταση ήχου στη συσκευή Bluetooth ή σε ένα από τα ηχεία για άνετη ακρόαση.

### Σημείωση:

- Η Ένταση ΗΧΟΥ ή EQ (χωρίς ρύθμιση για Μπάσο/Μέσα/Πρίμα) ενός ηχείου αντανακλάται στο άλλο.
2. Χρησιμοποιήστε τα χειριστήρια ελέγχου της συσκευής με δυνατότητα Bluetooth για αναπαραγωγή/παύση και πλήρωση κομματιών. Εναλλακτικά, ελέγξτε την αναπαραγωγή χρησιμοποιώντας τα κουμπί Αναπαραγωγή/Παύση και Επόμενο κομμάτι Προηγούμενο κομμάτι σε ένα από τα ηχεία. Η οθόνη στο πρώτο ηχείο θα δείχνει πληροφορίες του κομματιού όπως τίτλος, καλλιτέχνης, άλμπουμ, κ.λπ.
  3. Πατήστε και κρατήστε πατημένο το κουμπί γρήγορη προώθηση ή ανατύλιξη σε ένα από τα ηχεία για να μετακινηθείτε στο τρέχον κομμάτι. Αφήστε το κουμπί όταν φτάσετε στο σημείο που θέλετε.

## Αλλαγή της λειτουργίας ήχου

1. Χρησιμοποιώντας δύο ηχεία, μπορείτε να εναλλάσσετε μεταξύ των λειτουργιών **[L] • [ST] • [R]**, **[R] • [ST] • [R]** και **[L] • [ST] • [L]**.
2. Πατήστε το κουμπί L/R σε οποιοδήποτε από τα ηχεία για να αλλάξετε τη λειτουργία ήχου.
3. **[L] • [ST] • [R] λειτουργία:** Και τα δύο ηχεία παίζουν τον ίδιο ήχο. Είναι η αρχική ρύθμιση.
4. **Λειτουργία [R] • [ST] • [R] και [L] • [ST] • [L]:** Ένα ηχείο αναπαράγει τον ήχο στο δεξιό κανάλι, ενώ το άλλο ηχείο αναπαράγει τον ήχο στο αριστερό κανάλι για στερεοφωνική αναπαραγωγή μεταξύ των ηχείων.

## Αποσύνδεση της λειτουργίας TWS

Πατήστε και κρατήστε πατημένο το κουμπί Plus για να αποσυνδέσετε τη λειτουργία TWS.

## ΑΣΥΡΜΑΤΗ ΑΝΑΠΑΡΑΓΩΓΗ ΜΕ ΧΡΗΣΗ ΠΟΛΛΑΠΛΩΝ ΗΧΕΙΩΝ

Μπορείτε να απολαύσετε μουσική ταυτόχρονα συνδυάζοντας μέχρι και 10 συσκευές που είναι συμβατές με αυτή τη λειτουργία.

## Ρύθμιση του πρώτου ηχείου

1. Βεβαιωθείτε ότι το πρώτο ηχείο βρίσκεται σε λειτουργία Bluetooth και συνδέεται σε μια συσκευή Bluetooth.

2. Πατήστε το κουμπί Plus, η οθόνη θα προβάλει

**[ST] • [MULTI]**

3. Επιλέξτε **[MULTI]** πατώντας το κουμπί L/R. το **[MULTI]** θα αναβοσβήνει στην οθόνη. Πατήστε το κουμπί Plus για να μπείτε σε λειτουργία “ΠΟΛΛΑΠΛΗΣ αντιστοίχισης”. Αν δεν πατήσετε κανένα κουμπί για 10 δευτερόλεπτα, το ηχείο θα μπει και αυτό σε λειτουργία “ΠΟΛΛΑΠΛΗΣ αντιστοίχισης”. Η οθόνη θα εμφανίσει “ΠΟΛΛΑΠΛΗ αντιστοίχιση” και η ένδειξη “Αντιστοίχιση” θα αναβοσβήνει για 1 λεπτό.

## Συνδέστε το δεύτερο και περισσότερα ηχεία

1. Βεβαιωθείτε ότι τα πολλαπλά ηχεία είναι όλα σε λειτουργία Bluetooth.
2. Πατήστε το κουμπί Plus, η οθόνη θα προβάλει **[ST] • [MULTI]**.
3. Επιλέξτε **[MULTI]** πατώντας το κουμπί L/R. το **[MULTI]** θα αναβοσβήνει στην οθόνη. Πατήστε το κουμπί Plus για να μπείτε στη λειτουργία “ΠΟΛΛΑΠΛΗ αντιστοίχιση”. Αν δεν πατήσετε κανένα κουμπί για 10 δευτερόλεπτα, το ηχείο θα μπει και αυτό σε λειτουργία “ΠΟΛΛΑΠΛΗΣ αντιστοίχισης”. Όταν η σύνδεση επιτευχθεί, η οθόνη θα εμφανιστεί “PARENT” (ΚΥΡΙΟ) στο πρώτο ηχείο και οι άλλες θα εμφανίζουν όλες “CHILD” (ΣΥΝΔΕΔΕΜΕΝΟ). Η ρύθμιση EQ θα επανέλθει σε κατάσταση Flat (αρχική ρύθμιση).

### Σημείωση:

Όταν συνδέετε το δεύτερο και περισσότερα ηχεία, συνδέστε τα μέσα σε 1 λεπτό αφού ρυθμίσετε το πρώτο ηχείο. Μετά από 1 λεπτό, το ηχείο δεν μπορεί να συνδεθεί.

## Προσθέστε ένα νέο συνδεδεμένο ηχείο

Αν θέλετε να προσθέσετε ένα ακόμη ηχείο μετά τη σύνδεση, κάντε τα παρακάτω βήματα:

1. Βεβαιωθείτε ότι ένα δεύτερο ηχείο είναι σε λειτουργία Bluetooth.
2. Πατήστε το κουμπί Plus στο κύριο ηχείο, θα εμφανιστεί η οθόνη “ΠΟΛΛΑΠΛΗ ΠΡΟΣΘΗΚΗ” και η ένδειξη “ΠΡΟΣΘΗΚΗ” θα αναβοσβήνει στην οθόνη.
3. Πατήστε το κουμπί Plus στο νέο ηχείο, η οθόνη θα δείξει **[ST] • [MULTI]**.
4. Επιλέξτε **[MULTI]** πατώντας το κουμπί L/R. το **[MULTI]** θα αναβοσβήνει στην οθόνη. Πατήστε το κουμπί Plus για να μπείτε στη λειτουργία “ΠΟΛΛΑΠΛΗ αντιστοίχιση”. Αν δεν πατήσετε κανένα κουμπί για 10 δευτερόλεπτα, το ηχείο θα μπει και αυτό σε λειτουργία “ΠΟΛΛΑΠΛΗΣ αντιστοίχισης”. Όταν η σύνδεση επιτευχθεί, θα εμφανιστεί η ένδειξη “CHILD” (ΣΥΝΔΕΔΕΜΕΝΟ) στο καινούργιο ηχείο. Η ρύθμιση EQ θα επανέλθει στην κατάσταση Flat (αρχική ρύθμιση).

## Ξεκινήστε την αναπαραγωγή

1. Ξεκινήστε την αναπαραγωγή στη συνδεδεμένη συσκευή Bluetooth και ρυθμίστε την ένταση ήχου στη συσκευή Bluetooth ή στο ηχείο για άνετη ακρόαση. Η ίδια μουσική αναπαράγεται από όλα τα ηχεία.

### Σημείωση:

Μόνο για το κύριο ηχείο, η ένταση ήχου ή το EQ (χωρίς ρύθμιση για Μπάσο/Μέσα/Πρίμα) θα συγχρονιστεί με τα άλλα ηχεία. Για άλλα ηχεία, ρυθμίστε την ένταση ή το EQ μεμονωμένα σε κάθε ηχείο.

2. Χρησιμοποιήστε τα χειριστήρια ελέγχου της συσκευής με δυνατότητα Bluetooth για αναπαραγωγή/παύση και πλοήγηση κομματιών. Εναλλακτικά, ελέγξτε την αναπαραγωγή χρησιμοποιώντας τα κουμπιά Αναπαραγωγή/Παύση και Επόμενο κομμάτι Προηγούμενο κομμάτι στο κύριο ηχείο. Η οθόνη στο κύριο ηχείο θα δείχνει πληροφορίες του κομματιού όπως τίτλος, καλλιτέχνης, άλμπουμ, κ.λπ.
3. Πατήστε και κρατήστε πατημένο το κουμπί γρήγορη προώθηση ή ανατύλιξη στο κύριο ηχείο για να μετακινηθείτε μέσα στο τρέχον κομμάτι. Αφήστε το κουμπί όταν φτάσετε στο σημείο που θέλετε.

## Αποσύνδεση των πολλαπλών ηχείων

- Για να αποσυνδέσετε μόνο ένα συνδεδεμένο ηχείο, πατήστε και κρατήστε πατημένο το κουμπί Plus του συνδεδεμένου ηχείου που θέλετε να αποσυνδέσετε.
- Για να αποσυνδέσετε όλες τις συνδέσεις και βγείτε από την ομάδα πολλαπλών ηχείων, πατήστε και κρατήστε πατημένο το κουμπί Plus του κύριου ηχείου.

## Λειτουργία ισοσταθμιστή

1. Πατήστε το κουμπί τροφοδοσίας για να ενεργοποιήσετε το ηχείο.
2. Πατήστε το κουμπί ελέγχου EQ για να επιλέξετε τη λειτουργία που θέλετε (FLAT/JAZZ/ROCK/CLASSIC/POP/NEWS).
3. Για να ρυθμίσετε τα μπάσο, μέσα και πρίμα, πατήστε το κουμπί ελέγχου EQ μέχρι να αναβοσβήσει η ένδειξη “Μπάσο” στη οθόνη.
4. Πατήστε το κουμπί αύξησης/μείωσης της έντασης για να επιλέξετε το απαιτούμενο επίπεδο μπάσου. Πατήστε το κουμπί ελέγχου EQ για επιβεβαίωση της ρύθμισης και να μπείτε στη ρύθμιση “Mid.” (Μέσα).
5. Πατήστε το κουμπί αύξησης/μείωσης της έντασης για να επιλέξετε το απαιτούμενο επίπεδο μέσων. Πατήστε το κουμπί ελέγχου EQ για επιβεβαίωση της ρύθμισης και να μπείτε στη ρύθμιση “Tre.” (Πρίμα).
6. Πατήστε το κουμπί αύξησης/μείωσης της έντασης για να επιλέξετε το απαιτούμενο επίπεδο πρίμων. Πατήστε το κουμπί ελέγχου EQ για να επιβεβαιώσετε τη ρύθμιση.

## Αναπαραγωγή μουσικής μέσω της βοηθητικής υποδοχής εισόδου

Παρέχεται μια βοηθητική υποδοχή εισόδου 3,5 mm στη δεξιά πλευρά της μονάδας για να επιτρέπει την είσοδο ενός σήματος ήχου στη μονάδα από οποιαδήποτε συσκευή που διαθέτει ακουστικά ή έξοδο ήχου, όπως MP3 ή συσκευή αναπαραγωγής CD.

1. Συνδέστε μια στερεοφωνική ή μονοφωνική πηγή ήχου (για παράδειγμα, MP3 ή συσκευή αναπαραγωγής CD) στη βοηθητική υποδοχή εισόδου (με την ένδειξη 'AUX IN'), το ηχείο θα αλλάξει από λειτουργία Bluetooth στη βοηθητική είσοδο.
2. Ρυθμίστε τον έλεγχο έντασης ήχου στο MP3 ή τη συσκευή αναπαραγωγής CD για να εξασφαλίσετε ένα κατάλληλο σήμα και στη συνέχεια ρυθμίστε την ένταση στο ηχείο για άνετη ακρόαση.

### Σημείωση:

Για να έχετε την καλύτερη ποιότητα ήχου, σας συνιστούμε να ρυθμίσετε την ένταση του ήχου σε επίπεδο πάνω από τα δύο τρίτα στη συσκευή ήχου και, στη συνέχεια, να ρυθμίσετε την ένταση ήχου στο ηχείο, όπως χρειάζεται. Η οθόνη δεν εμφανίζει πληροφορίες όπως τίτλος, καλλιτέχνης, άλμπουμ κ.λπ., όταν παίζετε μέσω βοηθητικής υποδοχής εισόδου.

## ΣΥΝΤΗΡΗΣΗ

### ⚠ ΠΡΟΣΟΧΗ:

- Ποτέ μην χρησιμοποιείτε βενζίνη, βενζίνη, διαλυτικό, αλκοόλ ή παρόμοια. Μπορεί να προκύψει αποχρωματισμός, παραμόρφωση ή ρωγμές.
- Μην πλένετε το ηχείο με νερό.

## ΠΡΟΔΙΑΓΡΑΦΕΣ

<b>Ενισχυτής</b>	
Ισχύς εξόδου	10,8V-12Vmax: 3,5W 14,4V: 6W 18V: 10W
Απόκριση συχνότητας	50Hz~20kHz
<b>Aux In</b>	
Ευαισθησία εισόδου	250mVrms @100Hz
<b>Ηχείο</b>	
Κύριο ηχείο	101,6mm 8ohm 10W
Ηχείο υψηλών ταχυτήτων	36mm 8ohm 10W

<b>Bluetooth®</b> (Το λεκτικό σήμα και τα λογότυπα Bluetooth® είναι καταχωρημένα εμπορικά σήματα που ανήκουν στην Bluetooth SIG, Inc.)	
Έκδοση Bluetooth	5.0 Πιστοποιημένο
Προφίλ Bluetooth	A2DP/SCMS-T/AVRCP
Ισχύς μετάδοσης	Κατηγορία ισχύος2
Εμβέλεια μετάδοσης	Βέλτιστη: Μέγιστο 10 μέτρα (33 πόδια) Εφικτό: Μέγιστο 30 μέτρα (100 πόδια) (ποικίλλει ανάλογα με τις συνθήκες χρήσης)
Υποστηριζόμενοι κωδικοποιητές	SBC
Συμβατό προφίλ Bluetooth	A2DP/AVRCP
Μέγιστη ισχύς συχνότητας ηχείου	BT EDR: 3.08dBm BT LE: 3.88dBm
Συχνότητα λειτουργίας	2402MHz~2480MHz

<b>Υποδοχή φόρτισης USB</b>	
Μέγιστη ισχύς τροφοδοσίας της υποδοχής USB	5V, 2.1A

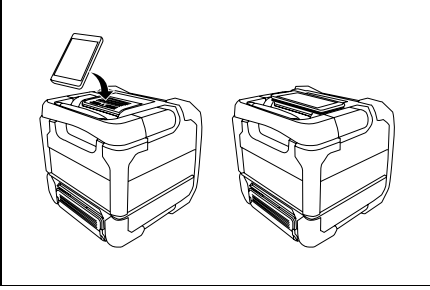
<b>Γενικός</b>	
μετασχηματιστής AC	DC in 12V 1,5A, κεντρική ακίδα θετικό
Μπαταρία	Συρόμενη μπαταρία: 10.8V-12Vmax 14.4V 18V
Διαστάσεις (Π x Υ x Β)	206mm x 199mm x 217mm
Βάρος	2.7KG (χωρίς μπαταρία)

Η εταιρεία διατηρεί τα δικαιώματα να τροποποιήσει τις προδιαγραφές χωρίς ειδοποίηση.

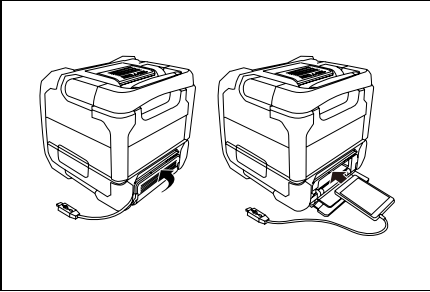
## Türkçe (Orijinal Talimatlar)

### GENEL GÖRÜNÜM AÇIKLAMASI (Resim 1)

1. Pil bölmesi kilitli yuvası/Mobil (Cep telefonu) yerleştirme paneli



2. Sap
3. DC giriş yuvası
4. Yardımcı giriş yuvası
5. USB şarj yuvası
6. Hoparlör
7. LCD ekran
8. Ses açma düğmesi
9. Ses azaltma düğmesi
10. Artı düğmesi (Artı eşleştirme düğmesi)
11. Sağ/Sol Düğmesi
12. Sonraki parça/Hızlı ileri sarma düğmesi
13. Oynat/Duraklat düğmesi
14. Önceki parça/Geri sarma düğmesi
15. Bluetooth eşleştirme düğmesi
16. EQ kontrol düğmesi
17. Güç düğmesi
18. Mobil (Cep telefonu) muhafaza dolabı



19. 14,4V/18V pil kutup ucu
20. 10.8V-12Vmax pil kutup ucu
21. Mobil cihaz muhafaza dolabı kapağı
22. Kablo deliği

## SİMGELER

Aşağıdakiler ekipman için kullanılan simgeleri göstermektedir. Kullanmadan önce anlamlarını anladığınızdan emin olun.



Kullanma kılavuzunu okuyun.



Yalnızca AB ülkeleri için.  
Elektrikli ekipmanı veya pil takımını ev atık malzemeleriyle birlikte çöpe atmayın! Elektrikli ve Elektronik Ekipmanların ve Piller ve Akümülatörlerin ve Atık Pillerin ve Akümülatörlerin Çöpe Atılmasında Avrupa Direktiflerinin yerine getirilmesi ve Avrupa Direktiflerinin ulusal kanunlara uygun olarak ömrünün sonuna gelmiş elektrikli ekipmanlar ve piller ile pil takımlarının ayrı olarak toplanması ve çevreye uyumlu bir geri dönüşüm tesisine iade edilmesinde uygulanması.

## Önemli Güvenlik Talimatları

### ⚠ UYARI:

Elektrikli aletler kullanılırken, yangın, elektrik çarpması, aşağıdakiler de dahil olmak üzere kişisel yaralanma risklerinin azaltılması için temel güvenlik önlemlerine sürekli uyulmalıdır:

1. Kullanmadan önce bu kullanma kılavuzu ile şarj cihazı kullanma kılavuzunu dikkatle okuyun.
2. Yalnızca kuru bezle temizleyin.
3. Radyatörler, kalorifer ızgaraları, soba veya ısı üreten diğer cihazlar (amplifikatörler de dahil) gibi herhangi bir ısı kaynağının yakınına kurmayın.
4. Yalnızca üretici tarafından belirtilen eklentileri/ aksesuarları kullanın.
5. Şimşekli fırtınalar sırasında veya çok uzun bir süre boyunca kullanılmadığında bu cihazı fişten çıkarın.
6. İçinde bulunan pillerle veya ayrı bir pil takımıyla çalışan bir hoparlör, ancak ilgili pile ait özel şarj cihazı ile şarj edilmelidir. Herhangi bir pil türü için uygun olan bir şarj cihazı, başka bir pille kullanıldığında yangın riski oluşturabilir.
7. Pille çalışan hoparlörü özel olarak tasarlanmış pil takımlarıyla birlikte kullanın. Başka pillerin kullanımı yangın riski oluşturabilir.
8. Pil takımı kullanımda değilken pil takımını; kağıt ataçı, bozuk para, anahtar, çivi, civata veya diğer küçük metal nesnelere gibi bir kuptan diğerine bağlantı yapabilecek diğer metal nesnelere uzak tutun. Pil kutuplarının bir arada kısa devre yaptırılması kıvılcım, yanık veya yangına neden olabilir.

## PİL KARTUŞU İÇİN ÖZEL GÜVENLİK KURALLARI

9. Boru, radyatör, ocak ve buzdolabı gibi topraklanmış yüzeylerle vücut temasından kaçının. Vücudunuzun toprakla temas etmesi halinde yüksek derece elektrik çarpması riski bulunmaktadır.
10. Kötü koşullar altında pilden sıvı boşalabilir; temas etmekten kaçının. Kaza ile temasta bulunulması durumunda su ile yıkayın. Sıvının gözle temas etmesi halinde tıbbi yardıma başvurun. Pilden çıkan sıvı tahrişe veya yanmaya neden olabilir.
11. Bozuk veya değiştirilmiş pil takımı veya araçlar kullanmayın. Bozuk veya değiştirilmiş piller; yangın, patlama veya yaralanma riskiyle sonuçlanan beklenmedik davranışlar sergileyebilirler.
12. Pil takımını veya aracı ateşe ya da aşırı sıcaklığa maruz bırakmayın. Ateşe veya 130°C (266°F) derecenin üzerinde sıcaklığa maruz kalmaya patlamaya neden olabilir.
13. Tüm şarj talimatlarını izleyin ve pil takımını ya da aracı talimatlarda belirtilen sıcaklık aralıklarının dışında şarj etmeyin. Uygun olmayan koşullarda veya belirtilen sıcaklık aralıklarının dışında şarj etmek pile zarar verebilir ve yangın riskini artırabilir.
14. Cihazın bağlantısının kesilmesi için ANA ŞEBEKE fişi kullanılır ve cihaz kolayca çalışır durumda kalır.
15. Ürünü hiç bir zaman uzun süre boyunca yüksek seste kullanmayın. Herhangi bir duyma bozukluğundan kaçınmak için ürünü orta ses seviyesinde kullanın.
16. (Yalnızca LCD ekranlı ürünler için) LCD ekranlar, tahriş ve zehirlenmeye neden olabilecek sıvı içermektedir. Sıvı maddenin gözler, ağız veya ciltle temas etmesi durumunda suyla yıkayın ve bir doktor çağırın.
17. Ürünün yağmur veya ıslak koşullara maruz kalmasına izin vermeyin. Ürüne giren su elektrik çarpması riskini artırır.
18. Bu ürün, kendilerine güvenliklerinden sorumlu bir kişi tarafından ürünün kullanımına ilişkin olarak gözetim ve talimatlar verilmediği sürece, fiziksel, duyuşal veya zihinsel kabiliyetleri sınırlı veya deneyimsiz ve bilgisi olmayan kişilerin (çocuklar da dahil) kullanımını amaçlı değildir. Çocukların ürünle oynamadıklarından emin olunması için kontrol edilmesi gerekmektedir. Ürünü çocukların ulaşamayacağı bir yerde muhafaza edin.
19. Hiç bir zaman hoparlörü ısıtmayın veya ateşe maruz bırakmayın ya da onu ısı kaynağının yakını, doğrudan güneş ışığı veya güneş altında bir aracın içerisi gibi sıcak bir konumda bırakmayın. Böyle yaptığınız takdirde yangına veya patlamaya neden olabilirsiniz ve durum kişisel yaralanmalarla sonuçlanabilir.

1. Pil kartuşu kullanmadan önce (1) pil şarj cihazı, (2) pil ve (3) pil kullanan ürün üzerinde bulunan tüm talimatları ve uyarı işaretlerini okuyun.
2. Pil kartuşunu sökmeyin.
3. Çalışma süresinin aşırı kısa olması durumunda, hemen çalışmayı durdurun. Bu durum aşırı ısınma, olası yanıklar ve hatta patlama riskine neden olabilir.
4. Gözlerinize elektrolit kaçması durumunda, temiz su ile gözlerinizi yıkayın ve derhal tıbbi yardıma başvurun. Aksi takdirde görme kaybı yaşayabilirsiniz.
5. Pil kartuşunu kısa devre yaptırmayın:
  - (1) Kutuplara herhangi bir iletken malzeme ile dokunmayın.
  - (2) Pil kartuşunu; çivi, bozuk para vb. gibi diğer metal nesnelere birlikte aynı kutuda bulundurmaktan kaçının.
  - (3) Pil kartuşunu suya veya yağmura maruz bırakmayın. Pilin kısa devre yapması büyük bir akıma, aşırı ısınmaya, olası yanıklara ve hatta arızaya neden olabilir.
6. Aracı ve pil kartuşunu sıcaklığın 50°C (122°F) dereceye ulaştığı veya geçtiği yerlerde muhafaza etmeyin.
7. Pil kartuşunu ciddi şekilde tahrip olmuş veya tamamen yıpranmış olsa bile yakmayın. Pil kartuşu herhangi bir yangın sırasında patlayabilir.
8. Pili düşürmemeye veya çarpmaya dikkat gösterin.
9. Hasarlı pili kullanmayın.
10. Riski ortadan kaldırmak için, kullanmadan önce değiştirilen pilin kullanım kılavuzu okunmalıdır. Ve pilin maksimum deşarj akımı 8A eşit veya büyük olmalıdır.
11. İçerisinde lityum-iyon bulunan piller Tehlikeli Maddeler Mevzuat gereksinimlerine tabidir. Ticari taşımalar için, yani üçüncü taraflar, nakliye acenteleri için, ambalaj ve etiketlemede özel gereksinimlerin yerine getirilmesi gerekir. Sevk edilen malzemenin hazırlanması için, tehlikeli madde uzmanına danışılması gerekir. Lütfen ayrıca muhtemelen daha ayrıntılı bilgiler içeren ulusal düzenlemeleri de dikkate alın. Açık temas noktalarını bantlayın veya kapatın ve pili ambalaj içerisinde hareket etmeyecek şekilde ambalajlayın.
12. Pil kartuşunu çöpe atarken, araçtan çıkarın ve güvenli bir yere atın. Pilin atılmasıyla ilgili, yerel düzenlemelere uygun hareket edin.
13. Pilleri, yalnızca Makita tarafından belirtilen ürünlerle kullanın. Pillerin, uyumlu olmayan ürünlere takılması

## BU TALİMATLARI KAYDEDİN

yangın, aşırı ısınma, patlama veya elektrolit sızıntısına neden olabilir.

14. Araç uzun süre boyunca kullanılmamışsa, bataryanın araçtan çıkarılması gereklidir.

**⚠ DİKKAT:**

- Pilin yanlış takılması durumunda patlama tehlikesiyle karşı karşıya kalınabilir.
- Pili, aynı türden veya eşdeğer bir pille değiştirin.
- Yalnızca orijinal Makita pilleri kullanın, kullanın. Orijinal olmayan Makita pilleri veya değiştirilmiş piller kullanılması, yangın, kişisel yaralanma ve hasara neden olabilecek pil patlamasıyla sonuçlanabilir. Bu aynı zamanda Makita aracı ve şarj cihazı için Makita garantisini de geçersiz kılacaktır.

## **Maksimum pil ömrü elde etmek için ipuçları**

1. Tamamen şarjı bitmeden önce pil kartuşunu şarj edin. Enerjinin az olduğunu farkettiğinizde daima çalışmayı durdurun ve pil kartuşunu şarj edin.
2. Tam şarj edilmiş pil kartuşunu hiç bir zaman yeniden şarj etmeyin. Aşırı şarj pilin çalışma ömrünü kısaltır.
3. Pil kartuşunu 10°C - 40°C (50°F - 104°F) derece oda sıcaklığında şarj edin. Isınmış pil kartuşunu şarj etmeden önce soğumasını bekleyin.
4. Uzun süre kullanmadığınız durumlarda (altı aydan fazla süredir) pil kartuşunu şarj edin.

# ÇALIŞMA SÜRESİ

\* Bu hoparlör için uygun piller aşağıdaki tabloda listelenmiştir.

\* Aşağıdaki tabloda tek bir şarjla çalışma süresi gösterilmektedir.

Pil Kapasitesi	Pil Kartuşu Voltajı			HOPARLÖR ÇIKIŞINDA = 100mW Birim: Saat (Yaklaşık)	
	10.8V-12Vmax	14.4V	18V	Bluetooth	AUX GİRİŞİ
1,3Ah		BL1415		5.5	6.5
			BL1815	6.0	6.5
1,5Ah	BL1015 BL1016			8.5	9.5
		BL1415N		7.5	8.5
			BL1815N	7.5	8.5
2,0Ah	BL1020B BL1021B			11	12
			BL1820 BL1820B	10	11
3,0Ah		BL1430 BL1430B		13	14
			BL1830 BL1830B	14	16
4,0Ah	BL1040B BL1041B			22	25
		BL1440		20	22
			BL1840 BL1840B	20	22
5,0Ah		BL1450		24	27
			BL1850 BL1850B	26	29
6,0Ah		BL1460B		27	30
			BL1860B	32	35

## ⚠ UYARI:

**Yalnızca yukarıda listelenen pil kartuşlarını kullanın. Başka pil kartuşlarının kullanılması yaralanma ve/veya yangına neden olabilir.**

## NOT:

- Yukarıdaki pil çalışma süresine ilişkin tablo, bilgi amaçlıdır.
- Gerçek çalışma süresi pil türü, şarj koşulu veya kullanma ortamına göre farklılık gösterebilir.

# TAKMA VE GÜÇ KAYNAĞI

## ⚠ DİKKAT:

- Pil kapağını açarken veya kapatırken parmaklarınızı sıkıştırmamak için dikkat edin.
- Pil kartuşunu taktıktan veya çıkardıktan sonra pil bölmesi kilidini orijinal konumuna getirin. Yerine tam olarak yerleştirilmediği takdirde pil kartuşu kaza ile hoparlörden dışarı düşebilir ve size veya çevrenizdeki başka kişilere zarar verebilir.
- Hoparlörü taşımadan önce her zaman pil yuvası kilidini kapatın ve kilitleyin.
- Pil kartuşunu takmadan veya çıkarmadan önce her zaman hoparlörü kapatın.
- Hoparlörü düşürmemeye veya çarpmamaya dikkat gösterin. Kırık gövde parmağınızı kesebilir veya vücudunuza bataabilir. Bozuk hoparlör; yangın, patlama veya yaralanma riskiyle sonuçlanan beklenmedik davranışlar sergileyebilir.
- Pil kartuşunu takarken veya çıkarırken her zaman hoparlörü ve pil kartuşunu sıkıca tutun. Hoparlörün ve pil kartuşunun sıkı tutulmaması durumunda elinizden kayabilirler ve hoparlörün ve pil kartuşunun zarar görmesine ve kişisel yaralanmaya neden olabilir.

## ÖNEMLİ:

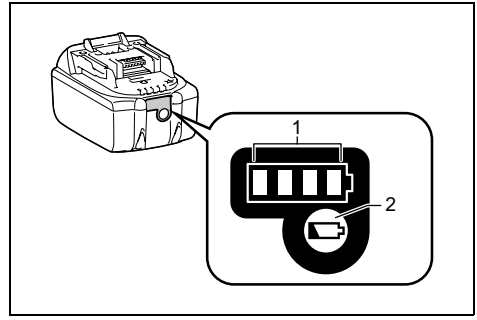
- Düşük güç, bozulma, "kesik kesik ses" veya "Düşük Pil" gibi şeylerin ekranda görünmesi durumunda tüm bunlar ana pil paketinin değiştirilmesi gerektiğini gösterir.
- Pil kartuşu verilen AC güç adaptörüyle şarj edilemez.
- Pil kartuşu standart aksesuarlara dahil değildir.

## Kayan pil kartuşunun takılması ve çıkarılması (Resim 3 ve 4)

- Pil kartuşunu takmak için pil kartuşundaki dili muhafaza içindeki yivle aynı hizaya getirin ve yerine doğru kaydırın. Her zaman küçük bir tık sesiyle yerine tam olarak oturana kadar yerleştirin.
- Düğmenin üst tarafında kırmızı göstergeli görebiliyorsanız tamamen oturmamış demektir. Kırmızı gösterge görünmeyene kadar tam olarak yerine yerleştirin. Yerine tam olarak yerleştirilmediği takdirde pil kaza ile hoparlörden dışarı düşebilir ve size veya çevrenizdeki başka kişilere zarar verebilir.
- Pil kartuşunu yerleştirirken güç kullanmayın. Kartuş rahatça kaymıyorsa, doğru yerleştirilmemiş demektir.
- Pil kartuşunu çıkarmak için, kartuşun ön kısmındaki düğmeye basarken pil kartuşunu araçtan kaydırarak çıkarın.

## Kalan pil kapasitesinin gösterilmesi

\* *Yalnızca model numarasının sonunda "B" harfi olan pil kartuşları için*



## ➤ 1. Gösterge lambaları 2. Kontrol düğmesi

Kalan pil kapasitesinin gösterilmesi için pil kartuşundaki kontrol düğmesine basın. Gösterge lambaları birkaç saniye süre ile yanacaktır.

## ● 14.4V/18V piller

Gösterge veya lambalar			Kalan kapasite
Yanıyor	Kapalı	Yanıp Sönüyor	
■	□	▣	75% ~ 100%
■	■	■	
■	■	■	50% ~ 75%
■	■	□	25% ~ 50%
■	□	□	0% ~ 25%
▣	□	□	Pili şarj et
■	■	□	Pil arızalanmış
□	□	■	

## ● 10.8V-12Vmax batarya

Gösterge veya lambalar			Kalan kapasite
Yanıyor	Kapalı	Yanıp Sönüyor	
■	□	▣	75% ~ 100%
■	■	■	
■	■	□	50% ~ 75%
■	□	□	25% ~ 50%
■	□	□	0% ~ 25%

## NOT:

Kullanım koşulları ve ortam sıcaklığına bağlı olarak, gösterge gerçek kapasiteden biraz farklı olabilir.



## Birlikte verilen AC güç adaptörünün kullanılması

Lastik koruyucuyu çıkarın ve adaptör fişini hoparlörün sağ tarafından bulunan DC yuvasına takın. Adaptörü standart ana şebeke fişi çıkışına takın. Adaptörü her kullandığınızda pil takımının bağlantısı otomatik olarak kesilir.

### ⚠ DİKKAT:

- Hoparlörü taşımadan önce her zaman AC güç adaptörü bağlantısını kesin. AC adaptörü çıkarılmazsa elektrik çarpmasına neden olabilir.
- Hiç bir zaman adaptörün kablosunu çekmeyin ve/veya sürüklemeyin. Yerine tam olarak yerleştirilmediği takdirde hoparlör kaza ile düşebilir ve size veya çevrenizdeki başka kişilere zarar verebilir.

### ÖNEMLİ:

- Hoparlörün ana şebeke güç kaynağına bağlantısını sağlama aracı olarak şebeke adaptörü kullanılır. Hoparlör için kullanılan ana şebeke yuvası normal kullanım sırasında her zaman erişilebilir olmalıdır.
- Hoparlörün bağlantısının tamamen kesilmesi için, ana şebeke adaptörü ana şebeke çıkış noktasından tamamen çıkarılmalıdır.
- Yalnızca ürünle birlikte verilen veya Makita tarafından belirtilen AC güç adaptörü kullanın.
- Güç kablosunu ağızınızla tutup takmayın. Böyle yaptığınızda elektrik çarpmasına neden olabilir.
- Güç kablosuna ıslak veya yağlı ellerle dokunmayın.
- Zarar görmüş veya düğümlemiş kablolar elektrik çarpması riskini artırır. Kablo hasar gördüğünde, herhangi bir güvenlik tehlikesini önlemek için yetkili servis merkezimizde kablonuzu değiştirin. Onarmadan önce onu kullanmayın.
- Kullandıktan sonra AC güç adaptörünü her zaman çocukların erişemeyeceği bir yerde muhafaza edin. Çocukların kabloyla oynaması yaralanmalarına neden olabilir.

## USB güç kaynağı yuvası

Bu fiş 2.1A DC akım kullanan herhangi bir mobil telefon veya başka cihazların şarj edilmesinde kullanılabilir. Hoparlör açıldığında şarj işlemi gerçekleşecektir.

### Not:

Mobil telefon veya medya oynatıcı gibi harici cihazlarınızın özelliklerinin hoparlör özellikleriyle uyumlu olduğundan emin olun. Lütfen şarj etmeden önce harici cihazınızın kullanım kılavuzunu okuyun.

### ÖNEMLİ:

- USB cihazını şarja bağlamadan önce her zaman USB cihazındaki verileri yedekleyin. Aksi takdirde verilerinizi kaybetme olasılığıyla karşı karşıya kalabilirsiniz.
- Şarj cihazını bazı USB cihazlarına güç sağlamayabilir.

- Kullanmadığınızda veya şarjdan sonra USB kablosunu çıkarın ve kapağını kapatın.
- USB bağlantı noktasına güç kaynağı bağlamayın. Aksi takdirde yangın riski olabilir. USB bağlantı noktası yalnızca düşük voltaj cihazların şarj edilmesi amaçlıdır. Düşük voltajlı cihazı şarj etmediğiniz zamanlarda daima kapağı USB bağlantı noktasına takın.
- USB güç kaynağı bağlantı noktasına çivi, tel vb. gibi cisimler sokmayın. Aksi takdirde olabilecek bir kısa devre dumana ve yangına neden olacaktır.
- Büyük ihtimalle ünitelerin arızalanmasına neden olabileceğinden bu USB yuvası ile Bilgisayarınızın USB bağlantı noktası arasında bağlantı yapmayın.

## BLUETOOTH YAYIN İLE MÜZİK DİNLEME

Hoparlörünüz aracılığıyla Bluetooth müzik oynatma/ yürütme otomatik bağlantısı yapmadan önce Bluetooth cihazınızın hoparlörle bağlantısını yapmanız gerekmektedir. Eşleştirme bir 'Bağ' oluşturma işleminden iki cihaz daha sonra birbirini tanıyabilecektir.

### Not:

Daha iyi bir ses kalitesi elde etmek için Bluetooth cihazınızdaki ses seviyesini üçte ikiden daha yükseğe ayarlamayı ve daha sonra hoparlördeki sesi de gerektiği gibi ayarlamayı öneririz.

## Bluetooth cihazınızın ilk kez eşleştirilmesi

1. Hoparlörü açmak için Güç düğmesine basın. Hoparlörün görülebilir olduğu göstermek için ekranda "Eşleştiriliyor" yazısı gösterilecektir.
2. Cihazın kullanım kılavuzuna göre hoparlöre bağlanması için cihazınızda Bluetooth özelliğini etkinleştirin. Bluetooth cihaz listesini bulun ve 'DMR203' adlı cihazı seçin, bazı mobil cihazlarda (BT2.1 Bluetooth cihazı önceki sürümüne sahip olanlar) şifre olarak "0000" girmeniz gerekebilir).
3. Bağlandıktan sonra onay tonu sesi duyulacak. Ekranda "Eşleştirildi" seçeneği görünecek. Tek yapmanız gereken kaynak cihazınızdan herhangi bir müziği seçmek ve oynatmak olacaktır. Ses kontrolü kaynak cihazınızdan veya doğrudan hoparlörden ayarlanabilir.
4. Parçaları oynatmak/durdurmak ve parça listesine gezinmek için Bluetooth etkinleştirilmiş cihazınızda veya hoparlörde bulunan kontrolleri kullanın.

### Not:

- Şayet ilk kez 2 Bluetooth cihazı eşleştiriliyorsa, her ikisi de hoparlörü arayacak, her bir cihazda uygun olup olmadıkları gösterilecektir. Ancak, cihazlardan biri bu üniteye ilk olarak bağlandığında, diğer Bluetooth cihazı diğer cihazı listede bulamayacaktır.

- Bluetooth cihazınızın hoparlör bağlantısının geçici olarak kesilmesi durumunda, cihazınızı yeniden elle hoparlöre bağlamanız gerekecektir.
- Bluetooth cihazınızın listesinde 'DMR203' görüntüleniyor ancak cihazınız araca bağlanamıyorsa, lütfen cihazı listenizden silin ve burada daha önce belirtilen adımları takip ederek cihazı hoparlörle yeniden eşleştirin.
- En iyi Bluetooth yayını kapsama alanı yaklaşık olarak hoparlör ile 10 metre mesafedir (30 feet) (görüş mesafesi) ancak 30 metreye (100 feet) kadar mesafelerde de çekmesi mümkündür.
- Ayırma zamanının aşılması, en uygun mesafenin aşılması, engeller veya başka şeyler nedeniyle Bluetooth bağlantısının kesilmesi durumunda, cihazınızın tekrar hoparlöre bağlanması gerekebilir.
- Fiziksel engeller, diğer kablosuz cihazlar veya elektromanyetik cihazlar da bağlantı kalitesini etkileyebilir.
- Bluetooth bağlantı performansı bağlanan Bluetooth cihazlarına bağlı olarak değişiklik gösterebilir. Lütfen hoparlör bağlantısı yapmadan önce cihazınızın Bluetooth özelliklerine göz atın. Eşleştirilen bazı Bluetooth cihazlarında tüm özellikler desteklenmeyebilir.

## Bluetooth modunda ses dosyalarını oynatma

Hoparlörü seçmiş olduğunuz Bluetooth cihazına başarılı bir şekilde bağladığınızda, bağlanmış olduğunuz Bluetooth cihazınızdaki kontrolleri kullanarak müziklerinizi oynatmaya başlayabilirsiniz.

1. Oynatmaya başladıktan sonra hoparlör veya etkinleştirdiğiniz Bluetooth cihazınız üzerindeki Ses düğmelerini kullanarak sesi istediğiniz ayara getirebilirsiniz.
2. Parçaları oynatmak/durdurmak ve parça listesinde gezinmek için Bluetooth cihazınızdaki kontrolleri kullanın. Alternatif olarak, hoparlörünüzdeki Oynat/Duraklat, Sonraki parça ve Önceki parça düğmelerini oynatmayı kontrol edebilirsiniz.
3. Geçerli parçadan ileri gitmek için Hızlı İleri Sarma düğmesine veya Geri Sarma düğmesine basılı tutun. İsteddiğiniz yere geldiğinizde düğmeyi bırakın.

### Not:

- Bu kontrollerin tamamına medya oynatıcı uygulamalar veya cihazların tamamı yanıt vermeyebilir.
- Arama yaparken veya cevaplarken bazı mobil telefonların hoparlör bağlantısı kesilebilir. Bazı cihazlar, kısa mesaj, e-posta alırken veya ses ortamı yürütmeye bağlı olmayan başka nedenlerle Bluetooth ses ortamı yürütme özelliğini geçici olarak sessize alabilir. Bu davranış bağlanan cihazın bir özelliğidir ve hoparlörde herhangi bir arıza olduğunu göstermez.

- Bluetooth modunda oynatırken ekranda ad, sanatçı, albüm, vb gibi parça bilgileri gösterilecektir.

## Daha önceden eşleştirilen bir Bluetooth kaynak cihazından oynatma

Hoparlör, 8 takım eşleşmiş cihaza kadar hafızada tutabilir, bu bellek aşıldığında ise, en eski eşleştirme geçmişi silinerek yenisi üzerine yazılır. Bluetooth cihazınız hoparlörle önceden eşleşmiş ise, ünite Bluetooth cihazınızı hafızaya alır ve hafızada son olarak bağlanan cihaza yeniden bağlanmayı dener. En son bağlanan cihaza ulaşamıyorsa, hoparlör görünür duruma gelecektir.

## Bluetooth cihazınızın bağlantısını kesme

Ekranda BT Eşleştirme görünene kadar Bluetooth eşleştirme düğmesine 2-3 saniye basılı tutun veya bağlantıyı devre dışı bırakmak için Bluetooth cihazınızdaki Bluetooth özelliğini kapatın.

## Bluetooth cihaz belleğinin silinmesi

Tüm eşleştirilmiş cihazların hafızasını temizlemek için iki bip sesi işitene kadar Bluetooth eşleştirme düğmesine 5 saniyeden fazla süre boyunca basılı tutun.

## GERÇEK KABLOSUZ STEREO (TWS) İŞLEVİ

Gerçek kablosuz stereo (TWS), bir cihazın başka bir cihaza kablosuz olarak bağlanabilmesini sağlayan bir özelliktir. TWS fonksiyonunu cihazı ikinci DMR203 cihazına bağlamak için kullanabilir ve müziğinizi iki hoparlörle oynatabilirsiniz.

## İlk hoparlörün kurulumu

1. İlk hoparlörün Bluetooth modunda olduğundan ve bir Bluetooth cihazına bağlı olduğundan emin olun.
2. Artı düğmesine basın, ekranda **[ST] • [MULTI]** gösterilecektir. Ekranda **[ST]** yanıp sönecektir. "ST Eşleştirme" moduna girmek için Artı düğmesine basın. 10 saniye boyunca herhangi bir düğmeye basılmazsa, hoparlör de "ST Eşleştirme" moduna girecektir. Ekranda "ST Eşleştirme" seçeneği gösterilecek ve "Eşleştir" seçeneği 1 dakika boyunca yanıp sönecektir.

## İkinci hoparlörün kurulumu

1. İkinci hoparlörün Bluetooth modunda olduğundan emin olun.
2. Artı düğmesine basın, ekranda **[ST] • [MULTI]** gösterilecektir. Ekranda **[ST]** yanıp sönecektir. "ST Eşleştirme" moduna girmek için Artı düğmesine basın. 10 saniye boyunca herhangi bir düğmeye

basılmazsa, hoparlör de “ST Eşleştirme” moduna girecektir. Bağlantı başarılı olduğunda, her iki ekranda da aynı anda **L · ST · R** gösterilecektir. EQ ayarı düz moda (başlangıç ayarına) geri dönecektir.

**Not:**

İkinci hoparlörü 1 dakika içinde kurun. 1 dakika içinde kurmazsanız, ilk hoparlörün kurulumu iptal edilecektir.

### Oynatmayı başlat

1. Bağlı Bluetooth cihazında oynatmaya bağlayın ve rahat dinleyebilme için Bluetooth cihazında veya hoparlörlerden birisinde sesi ayarlayın.

**Not:**

Bir hoparlörün Ses veya EQ ayarları (Bas/Orta/Tiz ayarları hariç) diğerinde gösterilir.

2. Parçaları oynatmak/durdurmak ve parça listesinde gezinmek için Bluetooth cihazınızdaki kontrolleri kullanın. Alternatif olarak, hoparlörlerden birisinde Oynat/Duraklat, Sonraki parça, Önceki parça düğmelerini kullanarak oynatmayı kontrol edebilirsiniz. İlk hoparlördeki ekran şarkının başlığı, sanatçı, albüm vb. bilgileri gösterecektir.
3. Geçerli parçadan ileri gitmek için hoparlörlerden birisinde Hızlı İleri Sarma düğmesine veya Geri Sarma düğmesine basılı tutun. İstedığınız yere geldiğinizde düğmeyi bırakın.

### Ses modunu değiştirme

1. İki hoparlör kullanarak **L · ST · R** , **R · ST · R** ve **L · ST · L** modları arasında geçiş yapabilirsiniz..
2. Ses modunu değiştirmek için hoparlörlerden herhangi birinde Sol/Sağ düğmesine basın.
3. **L · ST · R mod:** Her iki hoparlör de aynı sesi çalar. Bu başlangıç ayarıdır.
4. **R · ST · R ve L · ST · L mod:** Hoparlörler arasında stereo oynatma için bir hoparlör sağ kanalda ses oynatırken diğer hoparlör sol kanalda ses oynatır.

### TWS İşlevi bağlantısının kesilmesi

TWS fonksiyonunun bağlantısını kesmek için Artı düğmesine basın ve basılı tutun.

## BİR DEN FAZLA HOPARLÖR KULLANARAK KABLOSUZ OYNATMA KEYFİNİ ÇIKARMA

Bu fonksiyonla uyumlu en fazla 10 cihazı birleştirerek aynı anda müziğin keyfini çıkarabilirsiniz.

### İlk hoparlörün kurulumu

1. İlk hoparlörün Bluetooth modunda olduğundan ve bir Bluetooth cihazına bağlı olduğundan emin olun.
2. Artı düğmesine basın, ekranda **ST · MULTI** gösterilecektir.

3. Sağ/Sol düğmesine basarak **MULTI** seçin. Ekranda **MULTI** yanıp sönecektir. “ÇOKLU Eşleştirme” moduna girmek için Artı düğmesine basın. 10 saniye boyunca herhangi bir düğmeye basılmazsa, hoparlör de “ÇOKLU Eşleştirme” moduna girecektir. Ekranda “ÇOKLU Eşleştirme” seçeneği gösterilecek ve “Eşleştir” seçeneği 1 dakika boyunca yanıp sönecektir.

### İkinci ve daha fazla hoparlörün bağlanması

1. Çoklu hoparlörlerin Bluetooth modunda olduğundan emin olun.
2. Artı düğmesine basın, ekranda **ST · MULTI** gösterilecektir.
3. Sağ/Sol düğmesine basarak **MULTI** seçin. Ekranda **MULTI** yanıp sönecektir. “ÇOKLU Eşleştirme” moduna girmek için Artı düğmesine basın. 10 saniye boyunca herhangi bir düğmeye basılmazsa, hoparlör de “ÇOKLU Eşleştirme” moduna girecektir. Bağlantı başarılı olduğunda ekran birinci hoparlörde “PARENT” (Ana Hoparlör) yazısını gösterecek ve diğer ekranlarda ise “CHILD” (İkinci Hoparlör) yazısı görüntülenecektir. EQ ayarı düz moda (başlangıç ayarına) geri dönecektir.

**Not:**

İkinci ve daha fazla hoparlörü bağlarken, bağlantıyı ilk hoparlörü kurduktan sonra 1 dakika içinde yapın. 1 dakika sonra hoparlöre bağlanılamayacaktır.

### Yeni bir bağlı hoparlör eklemek

Bağlandıktan sonra başka bir hoparlör daha eklemek istiyorsanız, aşağıdaki adımları izleyin:

1. Yeni hoparlörün Bluetooth modunda olduğundan emin olun.
2. Ana Hoparlör hoparlörde Artı düğmesine basın, ekranda “ÇOKLU EKLEME” yazısı görüntülenecek ve “EKLE” yazısı yanıp sönecektir.
3. Yeni hoparlörde Artı düğmesine basın, ekranda **ST · MULTI** gösterilecektir.
4. Sağ/Sol düğmesine basarak **MULTI** seçin. Ekranda **MULTI** yanıp sönecektir. “ÇOKLU Eşleştirme” moduna girmek için Artı düğmesine basın. 10 saniye boyunca herhangi bir düğmeye basılmazsa, hoparlör de “ÇOKLU Eşleştirme” moduna girecektir. Bağlantı başarılı olduğunda, “yeni hoparlörde “CHILD” (İkinci Hoparlör) yazısı görüntülenecektir. EQ ayarı düz moda (başlangıç ayarına) geri dönecektir.

### Oynatmayı başlat

1. Bağlı Bluetooth cihazında oynatmaya bağlayın ve rahat dinleyebilme için Bluetooth cihazında veya hoparlörlerde sesi ayarlayın. Tüm hoparlörlerden aynı müzik oynatılacaktır.

**Not:**

- Yalnızca Ana Hoparlör hoparlörde ses veya EQ (Bas/Orta/Tiz hariç) ayarı diğer hoparlörlerle senkronize edilecektir. Diğer hoparlörler için, ses veya EQ ayarlarını her hoparlörde ayrı ayrı ayarlayın.
2. Parçaları oynatmak/durdurmak ve parça listesinde gezinmek için Bluetooth cihazınızdaki kontrolleri kullanın. Alternatif olarak, Ana Hoparlör hoparlördeki Oynat/Duraklat, Sonraki parça ve Önceki parça düğmelerini oynatmayı kontrol edebilirsiniz. Ana Hoparlör hoparlördeki ekran şarkının başlığı, sanatçı, albüm vb. bilgileri gösterecektir.
  3. Geçerli parçadan ileri gitmek için Ana Hoparlör hoparlördeki Hızlı İleri Sarma düğmesine veya Geri Sarma düğmesine basılı tutun. İstediğiniz yere geldiğinizde düğmeyi bırakın.

### Birden fazla hoparlörün bağlantısını kesme

- Yalnızca bir İkinci Hoparlör hoparlörün bağlantısını kesmek için, bağlantısını kesmek istediğiniz İkinci Hoparlör hoparlörün Artı düğmesine basın ve basılı tutun.
- Tüm bağlantıları kesmek ve çoklu hoparlör grubundan çıkmak için, Ana Hoparlör hoparlörün Artı düğmesine basın ve basılı tutun.

### Ekolayzer fonksiyonu

1. Hoparlörünüzü açmak için Power (Güç) düğmesine basın.
2. Sizin için gerekli modu seçmek için (DÜZ/JAZZ/ROCK/KLASİK/POP/HABERLER) EQ kontrol düğmesine basın.
3. Bas, orta ve tizlik ayarlamak için, ekranda "Bas" yazısı yanıp sönene kadar EQ kontrol düğmesine basın.
4. Sizin için gerekli bas seviyesini seçmek için Ses artırma/azaltma düğmesine basın. Ayarları onaylamak için EQ kontrol düğmesine basın ve "Orta" ayarı grın.
5. Sizin için gerekli orta seviyeyi seçmek için Ses artırma/azaltma düğmesine basın. Ayarları onaylamak için EQ kontrol düğmesine basın ve "Tiz" ayarı grın.
6. Sizin için gerekli tiz seviyesini seçmek için Ses artırma/azaltma düğmesine basın. Ayarları onaylamak için EQ kontrol düğmesine basın.

### Yardımcı giriş yuvası vasıtasıyla müzik oynatma

MP3 veya CD Çalar gibi kulaklık veya ses çıkışı özelliği bulunan herhangi bir cihazdan üniteye ses sinyalinin gönderilmesine izin vermek amacıyla ünitenin sağ tarafında 3,5 mm Yardımcı giriş yuvası sunulmuştur.

1. Yardımcı giriş yuvasına ("AUX IN" işareti) herhangi bir stereo veya mono ses kaynağına (örneğin

- MP3 veya CD Çalar) bağlayın, hoparlör Bluetooth modundan yardımcı giriş moduna geçiş yapacaktır.
2. Yeterli sinyalin geldiğinden emin olmak için MP3 veya CD Çalarınızdaki Ses kontrolünü ayarlayın ve sonra daha rahat bir dinleme için hoparlörde ses özelliğini ayarlayın.

#### Not:

Daha iyi bir ses kalitesi elde etmek için ses cihazınızdaki ses seviyesini üçte ikiden daha yükseğe ayarlamaz ve daha sonra hoparlördeki sesi de gerektiği gibi ayarlamazı öneririz.

Yardımcı giriş yuvası aracılığıyla oynatılırken ekranda ad, sanatçı, albüm, vb gibi bilgiler gösterilmez.

### BAKIM

#### ⚠ DİKKAT:

- Hiç bir zaman benzin, gaz, tiner, alkol veya benzerlerini kullanmayın. Renk değişikliği, deformasyon veya çatlaklara neden olabilir.
- Hoparlörü su ile yıkamayın.

# TEKNİK ÖZELLİKLER

Yükseltici	
Çıkış gücü	10.8V-12Vmax: 3.5W 14.4V: 6W 18V: 10W
Frekans tepkisi	50Hz~20kHz
Aux Girişi	
Giriş hassasiyeti	250mVrms @100Hz
Hoparlör	
Ana hoparlör	101.6mm 8ohm 10W
Tweeter hoparlörü	36mm 8ohm 10W

Bluetooth®	
(Bluetooth® kelimesinin marka ve logoları Bluetooth SIG, Inc. şirketine ait tescilli ticari markalardır)	
Bluetooth sürümü	5.0 Onaylı
Bluetooth Profilleri	A2DP/SCMS-T/AVRCP
Aktarım Gücü	Güç Sınıfı 2
Aktarım Mesafesi	Optimum: Maks.10 metre (33 feet) Mümkün: Maks.30 metre (100 feet) (kullanım koşullarına göre değişiklik gösterebilir)
Desteklenen kodek	SBC
Uyumlu Bluetooth profili	A2DP/AVRCP
Maksimum hoparlör frekans gücü	BT EDR: 3.08dBm BT LE: 3.88dBm
Çalışma Frekansı	2402MHz~2480MHz

USB şarj yuvası	
USB soketinin maksimum besleme gücü	5V, 2.1A

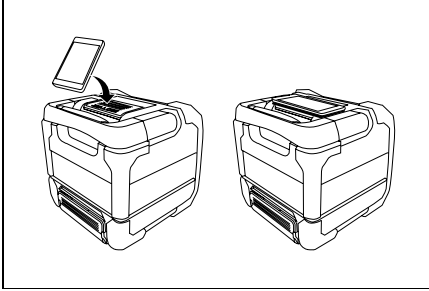
Genel	
AC güç adaptörü	DC giriş 12V 1,5A, orta pin pozitif
Batarya	Kayar pil: 10.8V-12Vmaks 14.4V 18V
Ebatlar(E x B x D)	206mm × 199mm × 217mm
Ağırlık	2,7KG (pilsiz)

Şirket, özellikleri herhangi bir uyarıda bulunmadan değiştirme hakkını saklı tutar.

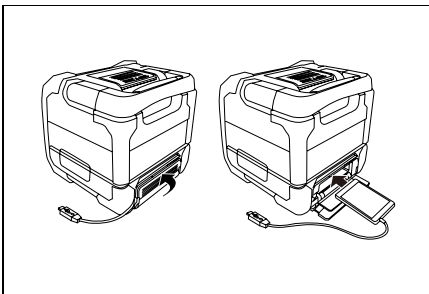
## 繁體中文

### 總圖解釋 (圖 1)

#### 1. 電池室開合扣鎖 / 手機 (裝置) 放置板



2. 手把
3. DC IN (變壓器) 插孔
4. AUX IN 音源輸入孔
5. USB 充電孔
6. 喇叭
7. LCD 螢幕
8. 音量增大按鍵
9. 音量減小按鍵
10. 連結他台鍵
11. L/R 左右 (聲道) 鍵
12. 下一曲目 / 快進按鍵
13. 播放 / 暫停按鍵
14. 上一曲 / 倒退按鍵
15. 藍牙配對按鍵
16. EQ 均衡器按鍵
17. 電源按鍵
18. 手機 / 裝置放置盒



19. 14.4V/18V 電池端子
20. 10.8V-12Vmax 電池端子
21. 手機 / 裝置放置盒蓋
22. 電纜線穿出孔

## 符號

以下是用於本機的符號。使用本機前務必明白它們的含義。



請閱讀本說明書。



僅適用於歐盟成員國。

請勿將電器設備或電池與生活垃圾一同丟棄！遵守歐盟關於廢舊電器、電子設備、電池、蓄電池、廢舊蓄電池和蓄電池的指令，並依據國家法律，在電氣設備、電池使用壽命到期時分別收集，並交給符合環保要求的回收設施。

## 重要的安全說明

### ⚠ 警告：

使用電動工具應遵循基本的安全預防措施，以降低火災、電擊和人身傷害風險，安全措施包括：

1. 使用前請閱讀本說明書和充電器使用說明書。
2. 請用乾布清潔。
3. 請勿將本機安放在靠近暖氣、電熱器、爐子等熱源或發熱設備（包括擴大機）之處。
4. 僅使用製造商指定的附件 / 配件。
5. 雷雨天或長時間不用時，需拔下電源插頭。
6. 使用集成電池或單獨電池供電的播放器，必須用專用充電器為電池充電。適用某款電池的充電器在給另一款電池充電時可能有起火的危險。
7. 用電池工作的播放器只可使用指定的電池。使用其他電池時會產生起火的危險。
8. 不使用電池時，確保其遠離其他金屬物體，比如迴紋針、硬幣、鑰匙、釘子、螺絲、或可造成兩極短路其他小金屬物體。電池兩極短路可引火花、燃燒或火災。
9. 避免身體接觸管道、暖氣、電灶、冰箱等接地表面。身體接地會增加電擊風險。
10. 電池受損情況下，液體可能會溢出，避免接觸電池液。如果意外接觸電池液，請用水沖洗並就醫。電池溢出的液體可導致發炎或灼傷。
11. 請勿使用受損或改裝過的電池或工具，否則會出現不可預測的結果，帶來人身傷害或爆炸風險。
12. 不要將電池或工具暴露於明火或高溫環境中，暴露於火源或 130°C (266°F) 以上高溫可引起爆炸。

13. 遵守充電說明，請勿在超過額定溫度下給電池或工具充電。充電不當或在超出指定溫度範圍下充電會損壞電池並增加火災風險。
14. 電源插頭作為斷路裝置，應可以隨時操作。
15. 使用本產品時，音量不宜過大。為避免損害聽力，使用本產品時請將音量調至適度。
16. (僅針對具有 LCD 螢幕的產品) LCD 螢幕含有刺激性或可能導致中毒的液體。如果液體進入眼睛、口中或接觸皮膚，請用水沖洗，並及時就醫。
17. 請勿將本產品置於下雨或潮濕的環境中。產品進水會增加觸電的風險。
18. 本產品不適合身體感官及心智能力不足(含兒童)，或缺乏經驗和常識者使用。在保證使用者安全之下，需給予監督或指導才能使用。請確保兒童不會將本產品當作玩具，並置於兒童拿不到的地方。
19. 禁止加熱或使播放器暴露在火中，禁止將其放在熱源附近、陽光直射或烈日下的車輛內等炎熱位置。這樣做可能導致火災或爆炸，並導致人身傷害。
10. 為了避免風險，使用之前請閱讀更換電池手冊。電池最大充電電流應大於等於 8A。
11. 所含鋰離子電池受危險貨物法律要求的管制。協力廠商、運輸代理商進行運輸時必須遵守包裝和標識要求。  
準備運輸的物品時，必須向專家進行危險材料諮詢。並遵守更為詳細的國家法律。  
用膠帶或薄膜將開放觸頭遮蔽，將電池裝入包裝盒內，使之不能移動。
12. 處理電池時，請將其從工具中取出，並在安全的地方進行處理。請遵守當地有關處理電池的法規。
13. 僅將電池用於牧田 (Makita) 公司指定的產品。將電池裝入不符合規定的產品中可引起火災、過熱、爆炸或電解液洩漏。
14. 如果長時間不使用此工具，必須從工具上拆下電池。

**△ 注意：**

- 電池更換不當會有爆炸危險。
- 僅用同類型或相當於同類型的電池進行更換。
- 僅使用正品牧田電池。使用非正品牧田電池或改裝過的電池會導致電池爆炸，引起火災、人身傷害和財產損害，且牧田公司對於產品和充電器的保固會失效。

## 請保存好此說明書

### 電池的特定安全規則

1. 使用電池前，需仔細閱讀說明書並理解 (1) 充電器、(2) 電池和 (3) 使用電池的產品上的警示標誌的含義。
2. 請勿拆卸電池。
3. 如果電池工作時間變得過短，則立即停止使用，電池過熱可能會引起燃燒甚至爆炸。
4. 如果電解液進入眼睛，請立即用清水沖洗並就醫。電解液可能會造成失明。
5. 勿使電池短路：
  - (1) 請勿使用導電材料接觸電池兩極。
  - (2) 避免將電池存放在裝有釘子、硬幣等金屬的容器內。
  - (3) 避免電池接觸水或淋雨。電池短路可引起大電流、過熱，造成燙傷或是爆炸。
6. 請勿將工具和電池存放在溫度可能會達到或超過 50°C (122°F) 的地方。
7. 即使電池已嚴重損壞或完全報廢，也切勿焚燒電池，電池可能在火中會爆炸。
8. 注意不要摔落或撞擊電池。
9. 請勿使用已受損電池。

### 維持電池最長壽命的技巧

1. 在電池電量用完之前充電，發現機器使用功率減小時，應停止使用並立即充電。
2. 切勿給電量充足的電池充電。過度充電會縮短電池使用壽命。
3. 在室溫為 10°C - 40°C (50°F - 104°F) 之下給電池充電，並使電池冷卻後再充電。
4. 如果長時間未使用電池 (六個月以上)，則給電池充電。

## 操作時間

\* 適用於本播放器的電池如下表所示。

\* 下表中表示充電一次的操作時間。

電池容量	電池電壓			喇叭輸出功率 = 100mW 單位：小時（近似值）	
	10.8V-12Vmax	14.4V	18V	藍牙	AUX 音訊輸入
1.3Ah		BL1415		5.5	6.5
			BL1815	6.0	6.5
1.5Ah	BL1015 BL1016			8.5	9.5
		BL1415N		7.5	8.5
			BL1815N	7.5	8.5
2.0Ah	BL1020B BL1021B			11	12
			BL1820 BL1820B	10	11
3.0Ah		BL1430 BL1430B		13	14
			BL1830 BL1830B	14	16
4.0Ah	BL1040B BL1041B			22	25
		BL1440		20	22
			BL1840 BL1840B	20	22
5.0Ah		BL1450		24	27
			BL1850 BL1850B	26	29
6.0Ah		BL1460B		27	30
			BL1860B	32	35

⚠ 警告：僅使用上列電池，使用其他電池可造成人身傷害或火災。

說明：

- 關於表上記載的電池操作時間僅供參考。
- 實際工作時間會隨電池型號、充電狀態或使用環境而異。



## 安裝電池和電源

### △ 注意：

- 打開和關閉電池蓋時，注意不要夾傷手指。
- 安裝或拆卸電池後，請將電池蓋關上鎖好。否則電池可能會意外從播放器裡脫落，讓您或周圍的人受傷。
- 移動播放器之前，務必將電池蓋關上並鎖好。
- 在安裝或拆卸電池之前，務必關掉播放器。
- 小心不要把播放器掉在地上或受到撞擊。破裂的外殼可能會劃傷手指或刺傷身體。損壞的播放器可引起火災、爆炸或人身傷害危險，導致不可預測的後果。
- 安裝或取出電池時，請緊握播放器和電池。若無法緊握致使播放器和電池從手上滑落，可能會損壞播放器和電池或造成人身傷害。

### 重要：

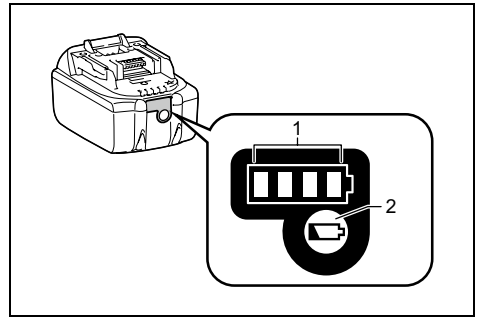
- 功率降低、聲音失真或斷斷續續，或螢幕顯示“low battery（電池電量低）”等跡象，表示需要更換主電池。
- 不可使用提供的交流變壓器給電池充電。
- 電池不包括在標準配件中。

### 安裝或取出滑動式電池（圖 3 和圖 4）

- 安裝電池時，將電池上的舌簧與外殼內的槽對正，然後將其滑動到位。請滑動到底至鎖住並聽到“喀嗒”聲為止。
- 若還能看到按鍵上方的紅色指示燈表示電池沒有鎖好，請重新安裝直到看不到紅色指示燈為止。如果沒裝好，電池可能會意外從播放器內脫落，讓您或周圍的人受傷。
- 插入電池時不可用力過猛。如果電池不能順利滑動，則說明插入不正確。
- 取下電池時，請按住電池前面的按鍵不放，同時滑動電池使其脫離播放器。

### 顯示電池剩餘電量

\* 僅適用於型號最後為“B”的電池。



### ➤ 1. 指示燈 2. 檢查鍵

按下電池上的檢查鍵，可查看電池剩餘電量。指示燈亮起數秒鐘。

### ● 14.4V/18V 電池

指示燈			殘餘電量
亮	不亮	閃爍	
■	■	■	75% ~ 100%
■	■	□	50% ~ 75%
■	□	□	25% ~ 50%
■	□	□	0% ~ 25%
◐	□	□	需要充電
■	□	□	電池可能故障
□	□	■	

### ● 10.8V-12Vmax 電池

指示燈			殘餘電量
亮	不亮	閃爍	
■	■	■	75% ~ 100%
■	■	□	50% ~ 75%
■	□	□	25% ~ 50%
■	□	□	0% ~ 25%

### 說明：

不同使用條件和不同溫度下，指示可能與實際電池電量略有差異。

## 使用隨配的變壓器

打開橡膠防護套，然後將變壓器插頭播放器右側的直流插座。將變壓器插入交流電源插座。每當使用變壓器時，電池會自動斷開。

### △ 注意：

- 移動播放器之前，一定要完全斷開變壓器。如果未移除變壓器，可能會引起觸電。
- 不要拉扯變壓器電線。播放器若掉落，可能會讓您或周圍的人受傷。

### 重要：

- 變壓器用於將播放器連接到插座電源。連接播放器的電源插座必須保持可正常使用。
- 要斷開播放器電源，應將變壓器從電源插座中完全拔出。
- 僅使用隨產品提供的或牧田指定的交流變壓器。
- 請勿將電源線和插頭含在口中，這樣做會遭電擊。
- 請勿以潮濕或帶有油脂的手接觸電源插頭。
- 損壞或纏繞的電線會增加觸電的危險。如果電線損壞，請聯絡我們授權的服務中心更換，以避免發生危險。修理好前不要使用。
- 使用之後請將交流變壓器放到兒童拿不到的地方。如果兒童玩弄電線可能會受傷。

## USB 充電孔

USB 充電孔可用來給行動電話或其他任何使用小於 2.1A 直流電的設備充電，需打開播放器後才可充電。

### 說明：

確保您的外部裝置（如手機或播放機）的規格與播放器相容。充電前請閱讀您的外部裝置使用說明書。

### 重要：

- 連接 USB 裝置進行充電之前，務必備份 USB 裝置的資料，以防萬一資料遺失。
- 某些 USB 裝置可能無法充電。
- 使用或充電之後，拔出 USB 電線並關閉蓋子。
- 請勿將電源與 USB 充電孔相連。否則有著火的風險。USB 充電孔僅用於給低壓設備充電。不充電時務必蓋上 USB 充電孔的蓋子。
- 請勿將釘子、電線等插入 USB 充電孔。否則短路可引起冒煙和起火。
- 請勿將此 USB 充電孔與電腦的 USB 介面連接，否則極有可能引起設備故障。

## 連接藍牙播放音樂

透過播放器自動建立連接以播放 / 傳輸藍牙音樂前，必須先將藍牙裝置與播放器配對，配對會使兩台裝置產生連結可相互識別。

### 說明：

為了獲得更好的音質，我們建議將藍牙裝置的音量調至三分之二以上，然後根據需要在播放器上調節音量。

### 藍牙首次配對

1. 按 Power（電源）按鍵打開播放器。螢幕上將顯示“Pairing（正在配對）”，表示播放器可被選擇配對。
2. 根據連接裝置的使用手冊啟動藍牙，連接到播放器。找到藍牙裝置清單並選擇名為“DMR203”的選項（搭載藍牙 BT2.1 更早版本的手機，可能需要輸入密碼“0000”）。
3. 連接成功後您將聽到確認提示音。同時螢幕顯示上“Paired（已配對）”。您只需從音源裝置中選擇並播放任何音樂即可。音量控制可以從音源裝置調整，也可以直接從播放器調整。
4. 使用啟用藍牙功能裝置上的控制項進行播放 / 暫停和變換樂曲，或在播放器上直接進行此類操作。

### 說明：

- 如果有兩個藍牙裝置正首次與 DMR203 進行配對，同時搜索播放器時，則兩個裝置上均顯示播放器可以使用。然而，如果其中一個先與播放器連接成功，則另一個藍牙裝置的清單中找不到播放器。
- 如果藍牙裝置一時與播放器斷開，就需要重新進行手動連接。
- 如果藍牙裝置清單中顯示有“DMR203”，但不能與播放器連接，請將其從配對清單列表中刪除，然後依照上述步驟重新與播放器連接。
- 最佳藍牙音樂播放與播放器間的距離範圍約 10 米（30 英尺）（視距），但最大可達 30 米（100 英尺）。
- 如果藍牙連接因中斷時間過久、相隔距離過遠、障礙物阻擋或其他原因而中斷，則需要將您的裝置與播放器重新連接。
- 物理障礙物、其他無線設備或電磁設備可能會影響連接品質。
- 藍牙連線性能隨所連接的連結裝置而異。連接播放器之前，請參閱您裝置的藍牙能力。某些已配對的設備可能無法支援所有功能。

## 用藍牙模式播放音樂檔

播放器與所選擇的藍牙裝置連接成功後，就可使用藍牙裝置上的控制項播放音樂。

1. 開始播放音樂時，可使用播放器或啟用的藍牙裝置來調整音量至所需要的大小。
2. 使用藍牙裝置上的控制項播放 / 暫停和選擇曲目。或者，使用播放器上的“播放 / 暫停”、“下一首曲目”和“上一首曲目”按鍵控制播放。
3. 按住快進按鍵或快退按鍵可在當前曲目中移動。達到所需點後鬆開按鍵。

### 說明：

- 並非所有播放的應用程式或裝置都回應這些控制項。
- 打電話或接電話時，有些手機會暫時與播放器斷開。有些手機會暫時讓其藍牙播放音樂為靜音。這種現象是所連接的裝置的功能，並不表示播放器出現故障。
- 在藍牙模式下播放時，螢幕將顯示曲目資訊，如標題、藝術家、專輯等。

## 播放曾經配對的藍牙裝置

您的播放器最多可儲存 8 套配對裝置，超過這數量時最早的配對記錄會被覆蓋。如果藍牙裝置之前已和播放器配對，則播放器會記住該裝置，並會試圖再次連接記憶體中上次連接的裝置；如果上次連接的裝置不可使用，則找不到播放器。

## 斷開藍牙裝置

按住藍牙配對鍵 2-3 秒，直到螢幕上顯示“Pairing（配對中）”以斷開與藍牙裝置的連接，或關閉藍牙裝置上的以中止連接藍牙。

## 刪除已配對的藍牙裝置記憶

要清除所有已存儲的配對裝置，請按住藍牙配對鍵 5 秒鐘以上，直到聽到兩聲蜂鳴音為止。

## TWS 無線雙聲道串聯功能

TWS 功能透過無線串聯可使兩台喇叭組合成一對立體音響，左右聲道同時輸出，增加臨場環繞音效感。你可透過 TWS 連接另一台 DMR203 同時播放音樂。

## 設定第一台播放器

1. 確保第一台播放器處於藍牙模式並連接到藍牙裝置。
2. 按下 PLUS 鍵，螢幕將顯示 **BT · MULTI**。BT 將不

斷閃爍。按 PLUS 鍵進入“ST Pair（ST 配對）”模式。如果 10 秒鐘內未按下任何按鍵，播放器也將進入“ST Pair（ST 配對）”模式。螢幕將顯示“ST Pair（ST 配對）”並且“Pair（配對）”將持續閃爍 1 分鐘。

## 設定第二台播放器

1. 確保第二台播放器處於藍牙模式。
  2. 按下 PLUS 鍵，螢幕將顯示 **BT · MULTI**。**BT** 將不斷閃爍。按 PLUS 鍵進入“ST Pair（ST 配對）”模式。如果 10 秒鐘內未按下任何按鍵，播放器也將進入“ST Pair（ST 配對）”模式。連接成功時，兩台播放器上同時顯示 **L · ST · R**。EQ 設定會恢復為一般（FLAT）模式（初始設置）。
- 說明：**  
請在 1 分鐘內設定第二台播放器。若未在 1 分鐘內設定，則第一台播放器的配對將被取消。

## 開始播放

1. 在已連接的藍牙裝置上開始播放，並調整藍牙裝置或其中一台播放器的音量，以舒適地收聽。
- 說明：**  
調整其中一台播放器的音量或 EQ 均衡器（不包括低音 / 中音 / 高音）會反映在另一台播放器上。
2. 使用藍牙裝置上的控制項播放 / 暫停或選擇曲目。或使用其中一台播放器上的“播放 / 暫停”、“下一曲”和“上一曲”按鍵進行操作。第一台播放器上的螢幕將顯示曲目資訊，如歌曲名、演唱者、專輯等。
  3. 長按下一曲鍵或上一曲鍵，可進行當前樂曲的快進 / 快退。到達預期的播放點時鬆開按鍵。

## 切換單聲道 / 立體聲模式

1. 使用兩個播放器，您可以在 **L · ST · R**、**R · ST · R**、**L · ST · L** 模式之間切換。
2. 按任一播放器上的 L/R 按鍵可以更改播放器聲音模式。
3. **L · ST · R 模式**：兩個播放器播放相同的聲音，此為初始設置。
4. **R · ST · R 和 L · ST · L 模式**：一台為右聲道，一台為左聲道，兩台播放器成為立體聲模式。

## 斷開 TWS 功能

按住 PLUS 鍵不放可斷開 TWS 功能。

## 多台播放器無線串聯

您可以連接最多 10 台與此功能相容的裝置來同時欣賞音樂。

### 設定第一台播放器

1. 確保第一台播放器處於藍牙模式並連接到藍牙裝置。
2. 按下 PLUS 鍵，螢幕將顯示 **STB·MULTI**。
3. 按 L/R 按鍵選擇 **MULTI**。**MULTI** 將在螢幕上閃爍。按 PLUS 鍵進入“MULTI Pair（多重配對）”模式。如果 10 秒鐘內未按下任何按鍵，播放器也將進入“MULTI Pair（多重配對）”模式。螢幕將顯示“MULTI Pair（多重配對）”其中“Pair（配對）”將閃爍 1 分鐘。

### 連接第二台及更多播放器

1. 確定每台播放器都處於藍牙模式。
2. 按下 PLUS 鍵，螢幕將顯示 **STB·MULTI**。
3. 按 L/R 按鍵選擇 **MULTI**。**MULTI** 將在螢幕上閃爍。按 PLUS 鍵進入“MULTI Pair（多重配對）”模式。如果 10 秒鐘內未按下任何按鍵，播放器也將進入“MULTI Pair（多重配對）”模式。當連接成功時，第一台播放器上的螢幕將顯示“PARENT（主機）”，其他螢幕都顯示“CHILD（子機）”。EQ 設置將恢復為一般模式（初始設置）。

#### 說明：

當連接第二台或更多播放器時，請在設置第一台播放器後 1 分鐘內連接它。1 分鐘後，播放器無法連接。

### 增加新的子播放器

如果要在連接狀態下再增加另一台播放器，請執行以下步驟：

1. 確保新播放器處於藍牙模式。
2. 按主播放器上的 PLUS 鍵，螢幕將顯示“MULTI ADD（添加多個）”並且“ADD（添加）”將在螢幕上閃爍。
3. 按新播放器上的 PLUS 鍵，螢幕將顯示 **STB·MULTI**。
4. 按 L/R 按鍵選擇 **MULTI**。**MULTI** 將在螢幕上閃爍。按 PLUS 鍵進入“MULTI Pair（多重配對）”模式。如果 10 秒鐘內未按下任何按鍵，播放器也將進入“MULTI Pair（多重配對）”模式。當連接成功時，新播放器上將顯示“CHILD（子機）”。EQ 設置將恢復為一般模式（初始設置）。

### 開始播放

1. 在已連接的藍牙裝置上開始播放，並調整藍牙裝置或播放器上的音量，以便舒適地收聽。所有播放器都播放相同的音樂。  
**說明：**  
只有主播放器的音量或 EQ 均衡器（不包括低音 / 中音 / 高音）調整將與其他播放器同步。對於其他播放器，請分別調整每台播放器的音量或 EQ 均衡器。
2. 使用藍牙裝置上的控制項播放 / 暫停和導航曲目。或者，使用主播放器上的“播放 / 暫停”、“下一曲”和“上一曲”按鍵控制播放。主播放器上的螢幕將顯示曲目資訊，如歌曲名、演唱者、專輯等。
3. 長按下一曲鍵或上一曲鍵，可進行當前樂曲的快進 / 快退。到達預期的播放點時鬆開按鍵。

### 斷開多台播放器

- 只要斷開一台子播放器時，請按住要斷開的子播放器的 PLUS 鍵不放。
- 要斷開所有連接並退出多播放器群組，請按住主播放器的 PLUS 鍵不放。

## EQ 均衡器功能

1. 按電源按鍵打開播放器。
2. 按 EQ 均衡器鍵選擇所需模式（Flat 一般模式 / JAZZ 爵士 / ROCK 搖滾 / CLASSIC 古典 / POP 流行 / NEWS 新聞）。
3. 要設置低音、中音和高音，請按 EQ 均衡器鍵，直到螢幕上的“Bass（低音）”閃爍。
4. 按 + / - 鍵選擇所需的低音等級。按 EQ 均衡器鍵確認設置並進入“Mid.（中音）”設置。
5. 按 + / - 鍵選擇所需的中等等級。按 EQ 均衡器鍵確認設置並進入“Tre.（高音）”設置。
6. 按 + / - 鍵選擇所需的高音等級。按 EQ 均衡器鍵確認設置。

## 通過音源輸入孔播放音樂

播放器右側有 3.5mm 音訊輸入插口，可將來自 iPod、MP3 或 CD 播放機等任何具有耳機或音源輸出功能的音源信號輸入播放器。

1. 連接立體聲或單聲道音訊源（例如 MP3 或 CD 播放機）到音源輸入孔（標示為 AUX IN），播放器將從藍牙模式切換到音源輸入模式。

2. 調整 MP3 或 CD 播放機上的音量控制按鍵，以確保信號充足，然後調整播放器上的音量，以便舒適地收聽。

**說明：**

- 為了獲得更好的音質，我們建議在音樂裝置上將音量設置為三分之二以上，然後根據需要調整播放器的音量。
- 通過音源輸入播放時，螢幕不會顯示歌曲名、演唱者、專輯等資訊。（音訊連接線不包含在標準配件中。）

**保養**

**△ 注意：**

- 請勿使用汽油、揮發油、稀釋劑、酒精等。否則會導致褪色、變形或裂化。
- 請勿用水清洗播放器。

**技術規格**

<b>功放</b>	
輸出功率	10.8V-12Vmax: 3.5W 14.4V: 6W 18V: 10W
頻率回應	50Hz~20kHz
<b>音訊輸入</b>	
輸入靈敏度	250mVrms @100Hz
<b>播放器</b>	
主喇叭	101.6mm 8Ω10W
高音喇叭	36mm 8Ω10W

<b>Bluetooth®</b> (Bluetooth® 文字標誌和徽標是 Bluetooth SIG, Inc. 註冊的商標)	
藍牙版本	已認證的 5.0 版本
藍牙設定檔	A2DP/SCMS-T/AVRCP
傳輸功率	功率 2 級
傳輸距離	最佳範圍： 最遠 10 米 (33 英尺) 可覆蓋範圍： 最遠 30 米 (100 英尺) (因使用條件而異)
支持的轉碼器	SBC
相容的藍牙設定檔	A2DP/AVRCP
最大射頻功率	BT EDR: 3.08dBm BT LE: 3.88dBm
工作頻率	2402MHz~2480MHz

**USB 充電孔**

USB 充電最大供電功率	5V, 2.1A
--------------	----------

**一般規格**

交流變壓器	直流 12V 1.5A, 中心腳為正極
電池	滑軌式電池： 10.8V-12Vmax 14.4V 18V
尺寸 (W x H x D)	206mm x 199mm x 217mm
重量	2.7KG (不含電池)

本公司保留修改技術規格的權利，恕不通知。

## المواصفات

مضمخ الصوت	
مخرج الطاقة	10.8ف-12ف الأقصى: 3.5 واط 14.4ف: 6 واط 18ف: 10 واط
استجابة التردد	50هرتز ~ 20ك.هرتز
الإدخال الإضافي	
حساسية المدخلات	250م.فمتوسط الجذر التريبيعي@100هرتز
مكتر الصوت	
مكبر الصوت الرئيسي	101.6 مم 8 أو م 10 واط
مكبر الصوت تويتر	36 مم 8 أو م 10 واط

البلوتوث®	
(يتم تسجيل علامة كلمة البلوتوث® والشعارات علامات تجارية مملوكة لشركة Bluetooth SIG, Inc.).	
إصدار البلوتوث	5.0 معتمد
ملفات البلوتوث	A2DP/SCMS-T/AVRCP
نطاق النقل الأمثل	طاقة الصف الثاني
نطاق النقل	الحد الأقصى 10 أمتار (33 قدم) المحتمل: الحد الأقصى 30 متر (100 قدم) (يختلف وفقاً لشروط الاستخدام)
دعم الترميز	SBC
توافقية ملف البلوتوث	A2DP/AVRCP
الحد الأقصى لقدرة تردد مكبر الصوت	معدل البيانات المحسن للبلوتوث: 3.08م. ديسيبيل الطاقة المنخفضة للبلوتوث: 3.88م. ديسيبيل
تردد التشغيل	2402ميغاهرتز ~ 2480 ميغاهرتز

مقيس شحن USB	
الحد الأقصى لتوفير الطاقة من مقيس USB	5 ف، 2.1 أمبير

عام	
محول التيار المتناوب	التيار المستمر في 12 ف، 1.5 أمبير
البطارية	موضع البطارية: 10.8-12ف 14.4 ف 18 ف
الأبعاد (العرض × الارتفاع × العمق)	206 مم × 199 مم × 217 مم
الوزن	2.7 كغ (بدون البطارية)

تحتفظ الشركة بالحق في تعديل المواصفات دون إشعار.

- مكبرات الصوت الأخرى. بالنسبة إلى مكبرات الصوت الأخرى، قم بضبط مستوى الصوت أو المعادل بشكل منفرد مع كل مكبر صوت.
2. استخدم عناصر التحكم الموجودة على جهاز البلوتوث لتشغيل/إيقاف مؤقت والتنقل بين المسارات. بدلاً من ذلك، يمكنك التحكم في التشغيل باستخدام أزرار التشغيل/إيقاف مؤقت، والمسار التالي، والمسار السابق على مكبر الصوت الرئيسي. متعرض الشاشة على مكبر الصوت الرئيسي معلومات المسار مثل العنوان، الفنان، الألبوم، إلخ.
3. اضغط مع الاستمرار على زر التقديم السريع أو التراجع على مكبر الصوت الرئيسي للتنقل خلال المسار الحالي. حرر الزر عند الوصول إلى النقطة المطلوبة.

### فصل مكبرات الصوت المتعددة

- لقطع اتصال مكبر صوت واحد فقط، اضغط مع الاستمرار على زر علامة زائد لمكبر الصوت الذي تريد فصله.
- لقطع جميع الاتصالات والخروج من مجموعة مكبرات الصوت المتعددة، اضغط مع الاستمرار على زر علامة زائد لمكبر الصوت الرئيسي.

### وظيفة المعادل

1. اضغط على زر الطاقة لتشغيل مكبر الصوت الخاص بك.
2. اضغط على زر تحكم المعادل لتحديد الوضع المطلوب (JAZZ/FLAT / ROCK/CLASSIC/POP/NEWS).
3. لإعداد الجبير، الوسط/الصوت عالي الطبقة، اضغط على زر تحكم المعادل حتى يومض "الجبير" على الشاشة.
4. اضغط على زر الصوت لأعلى/أسفل لتحديد مستوى صوت الجبير المطلوب. اضغط على زر تحكم المعادل لتأكيد الإعداد وأدخل الإعداد "الوسط" (الوسط).
5. اضغط على زر الصوت لأعلى/أسفل لتحديد المستوى الوسط المطلوب. اضغط على زر تحكم المعادل لتأكيد الإعداد وأدخل الإعداد "الصوت عالي الطبقة" (الصوت عالي الطبقة).
6. اضغط على زر الصوت لأعلى/أسفل لتحديد مستوى الصوت عالي الطبقة المطلوب. اضغط على زر تحكم المعادل لتأكيد الإعداد.

### تشغيل الموسيقى عبر مقيس إدخال إضافي

- يتوفر مقيس إدخال إضافي بحجم 3.5 مم على الجانب الأيمن من الوحدة للسماح بإدخال إشارة صوتية إلى الوحدة من أي أجهزة تحتوي على سماعات رأس أو مخرج صوتي، مثل مشغل MP3 أو CD.
1. قم بتوصيل مصدر صوت ستريو أو أحادي (على سبيل المثال، مشغل MP3 أو CD) بمقيس الإدخال الإضافي (ثم وضع علامة "AUX IN")، وسيتم تحويل مكبر الصوت من البلوتوث إلى وضع الإدخال الإضافي.
  2. قم بضبط التحكم في مستوى الصوت على مشغل MP3 أو CD لضمان إشارة كافية ثم اضبط مستوى الصوت على مكبر الصوت للاستماع المريح.

#### ملاحظة:

- للحصول على جودة صوت أفضل، نوصي بتعيين مستوى الصوت لأكثر من الثلثين على جهاز الصوت الخاص بك ثم ضبط الصوت على مكبر الصوت كما هو مطلوب.
- لا تعرض الشاشة معلومات مثل العنوان أو الفنان أو ما إلى ذلك عند التشغيل عبر مقيس الإدخال الإضافي

### الصيانة



- لا تستخدم أبداً الغازولين أو البنزين أو التتر أو الكحول أو ما شابه. قد يتغير لون الوحدة أو تشوهها أو تشققاتها.
- لا تغسل مكبر الصوت بالماء.

## حذف ذاكرة الجهاز المقترن بتقنية البلوتوث

لمسح ذاكرة جميع الأجهزة المقترنة، اضغط مع الاستمرار على زر إقران البلوتوث لأكثر من 5 ثوانٍ حتى تسمع صوتي صغير.

## وظيفة ستريو اللاسلكية الحقيقية (TWS)

وظيفة ستريو اللاسلكية الحقيقية (TWS) هي ميزة تسمح لأحد الأجهزة بالاتصال اللاسلكي بجهاز آخر. ويمكنك استخدام وظيفة TWS لتوصيلها بـ 203 DMR ثاني وتشغيل الموسيقى الخاصة بك من خلال مكبري صوت.

### إعداد مكبر الصوت الأول

1. تأكد من أن أول مكبر صوت في وضع البلوتوث وقم بتوصيله بجهاز البلوتوث.
2. اضغط على زر علامة الزائد، وسوف تظهر الشاشة [MULTI] [ST].
3. سوف يومض على الشاشة. اضغط على زر علامة الزائد للدخول إلى وضع "إقران TS" إذا لم يتم الضغط على أي أزرار لمدة 10 ثوانٍ، فسيبدأ مكبر الصوت أيضاً في وضع "إقران ST"، وستظهر الشاشة "إقران ST" وسيومض "إقران" لمدة دقيقة واحدة.

### إعداد مكبر الصوت الثاني

1. تأكد من أن مكبر الصوت الثاني في وضع البلوتوث.
2. اضغط على زر علامة الزائد، وسوف تظهر الشاشة [MULTI] [ST].
3. سوف يومض على الشاشة. اضغط على زر علامة الزائد للدخول إلى وضع "إقران ST" إذا لم يتم الضغط على أي أزرار لمدة 10 ثوانٍ، فسيبدأ مكبر الصوت أيضاً في وضع "إقران ST" عند نجاح الاتصال، [L-ST-R] سيتم عرضه على كلتا الشاشتين في نفس الوقت. سيعدو إعداد المعادل إلى الوضع المسطح (الإعداد الأولي).

#### ملاحظة:

قم بإعداد مكبر الصوت الثاني خلال دقيقة واحدة. إذا لم يتم إعادةه خلال دقيقة واحدة، فسيتم إلغاء إعداد مكبر الصوت الأول.

### بدء التشغيل

1. ابدأ التشغيل على جهاز البلوتوث المتصل وقم بضبط مستوى الصوت على جهاز البلوتوث أو أحد مكبرات الصوت للاستماع المريح.

#### ملاحظة:

1. ينعكس ضبط مستوى الصوت أو المعادل (وليس بما في ذلك الجير/الوسط/الصوت عالي الطبقة) لأحد مكبري الصوت على الآخر.
2. استخدم عناصر التحكم الموجودة على جهاز البلوتوث لتشغيل/إيقاف مؤقت والتنقل بين المسارات. بدلاً من ذلك، يمكنك التحكم في التشغيل باستخدام أزرار التشغيل/إيقاف مؤقت، والمسار التالي، والمسار السابق على أحد مكبري الصوت. ستعرض الشاشة على مكبر الصوت الأول معلومات المسار مثل العنوان، الفنان، الألبوم، إلخ.
3. اضغط مع الاستمرار على زر التقديم السريع أو التراجع على أحد مكبري الصوت للتنقل خلال المسار الحالي. حرر الزر عند الوصول إلى النقطة المطلوبة.

### تبديل وضع الصوت

1. باستخدام مكبري صوت، يمكنك التبديل بين وضع [L-ST-R] و [ST-R] و [R-ST-L].
2. اضغط على زر L/R على أي من مكبرات الصوت لتغيير وضع الصوت.
3. وضع [L-ST-R]: إنه الإعداد الأولي. يشغل كلا مكبري الصوت نفس الصوت.
4. وضع [L-ST-L] و [R-ST-R]: يقوم أحد مكبري الصوت بتشغيل الصوت على القناة اليمنى، بينما يقوم مكبر الصوت الآخر بتشغيل الصوت على القناة اليسرى لتشغيل الستيريو بين مكبري الصوت.

## فصل وظيفة TWS

اضغط مع الاستمرار على زر علامة الزائد لفصل وظيفة TWS.

## استمتع بالتشغيل اللاسلكي باستخدام مكبرات صوت متعددة

يمكنك الاستمتاع بالموسيقى في نفس الوقت عن طريق دمج ما يصل إلى 10 أجهزة متوافقة مع هذه الوظيفة.

### إعداد مكبر الصوت الأول

1. تأكد من أن أول مكبر صوت في وضع البلوتوث وقم بتوصيله بجهاز البلوتوث.
2. اضغط على زر علامة الزائد، وسوف تظهر الشاشة [MULTI] [ST].
3. اختر [MULTI] بالضغط على زر L/R. سوف يومض على الشاشة. اضغط على زر علامة الزائد للدخول إلى وضع "الإقران المتعدد". إذا لم يتم الضغط على أي أزرار لمدة 10 ثوانٍ، فسيبدأ مكبر الصوت أيضاً في وضع "الإقران المتعدد". ستعرض الشاشة "الإقران المتعدد"، وسيومض "الإقران" لمدة دقيقة واحدة.

### قم بتوصيل الثاني والمزيد من مكبرات الصوت

1. تأكد من أن كل مكبرات الصوت في وضع البلوتوث.
2. اضغط على زر علامة الزائد، وسوف تظهر الشاشة [MULTI] [ST].
3. اختر [MULTI] بالضغط على زر L/R. سوف يومض على الشاشة. اضغط على زر علامة الزائد للدخول إلى وضع "الإقران المتعدد". إذا لم يتم الضغط على أي أزرار لمدة 01 ثوانٍ، فسيبدأ مكبر الصوت أيضاً في وضع "الإقران المتعدد". وعندما ينجح الاتصال، ستظهر الشاشة "PARENT" (مكبر الصوت الرئيسي) على مكبر الصوت الأول وجميع الشاشات الأخرى تظهر "CHILD" (مكبر الصوت الثانوي). سيعدو إعداد المعادل إلى الوضع المسطح (الإعداد الأولي).

#### ملاحظة:

عند توصيل مكبر الصوت الثاني والمزيد من مكبرات الصوت، قم بالتوصيل خلال دقيقة واحدة بعد ضبط مكبر الصوت الأول. بعد دقيقة واحدة لا يمكن توصيل أي مكبر صوت

### إضافة مكبر صوت تابع جديد

- إذا كنت ترغب في إضافة مكبر صوت آخر بعد الاتصال، فقم بعمل الخطوات التالية:
1. تأكد من أن أول مكبر صوت جديد في وضع البلوتوث.
  2. اضغط على زر علامة زائد في السماع الرئيسية، ستظهر الشاشة "إضافة متعددة وسيومض "إضافة" على الشاشة.
  3. اضغط على زر علامة الزائد على مكبر الصوت الجديد، وسوف تظهر الشاشة [MULTI] [ST].
  4. اختر [MULTI] بالضغط على زر L/R. سوف يومض على الشاشة. اضغط على زر علامة الزائد للدخول إلى وضع "الإقران المتعدد". إذا لم يتم الضغط على أي أزرار لمدة 01 ثوانٍ، فسيبدأ مكبر الصوت أيضاً في وضع "الإقران المتعدد". وعندما ينجح الاتصال، ستظهر الشاشة "CHILD" (مكبر الصوت الثانوي) على مكبر الصوت الجديد. وسيعدو إعداد المعادل إلى الوضع المسطح (الإعداد الأولي).

### بدء التشغيل

1. ابدأ التشغيل على جهاز البلوتوث المتصل وقم بضبط مستوى الصوت على جهاز البلوتوث أو على مكبرات الصوت للاستماع المريح. سيتم تشغيل نفس الموسيقى من جميع مكبرات الصوت.

#### ملاحظة:

فقط على مكبر الصوت الرئيسي، وسيتم ضبط مستوى الصوت أو المعادل وليس بما في ذلك (الجير/الوسط/الصوت عالي الطبقة) ومزامنة التعديل مع

- استخدم محول التيار المتناوب المصاحب للمنتج أو المحدد بواسطة ماكيتا (Makita) فظ.
- لا تلمس كابل مزود الطاقة أو توصيله عن طريق الفم. القيام بذلك قد يسبب صدمة كهربائية.
- لا تلمس قابس الطاقة بأيدي مبللة أو دهنية.
- الأسلاك التالفة أو المتشابكة تزيد من خطر حدوث صدمة كهربائية. في حالة تلف السلك، قم باستبداله من مركز الخدمة المعتمد الخاص بنا من أجل تجنب مخاطر السلامة. لا تستخدمه قبل الإصلاح.
- بعد الاستخدام، قم دائماً بحفظ محول التيار المتردد بعيداً عن متناول الأطفال. إذا لعب الأطفال بالسلك، فقد يتعرضون للإصابة.

## مأخذ توصيل إمدادات الطاقة USB

يمكن استخدام هذا المقبس لشحن الهاتف المحمول أو أي جهاز آخر يستخدم أقل من 2.1 أمبير من التيار المستمر. إن يحدث الشحن إلا عند تشغيل مكر الصوت.

**ملاحظة:** تأكد من أن مواصفات جهازك الخارجي مثل الهاتف المحمول أو مشغل الموسيقى متوافق مع مكر الصوت. يُرجى قراءة دليل التعليمات لجهازك الخارجي قبل الشحن.

**هام:** قبل توصيل جهاز USB بالشاحن، قم دائماً بالنسخ الاحتياطي للبيانات الخاصة بك من جهاز USB. وإلا أنه من المحتمل ألا تُنقل البيانات الخاصة بك.

- قد لا يوفر الشاحن الطاقة لبعض أجهزة USB.
- عند عدم الاستخدام أو بعد الشحن، قم بإزالة كابل الـ USB وأغلق الغطاء.
- لا تقم بتوصيل مصدر الطاقة إلى منفذ USB. خلاف ذلك، قد هناك خطر الحريق. منفذ USB مخصص فقط لشحن الأجهزة ذات الجهد المنخفض.
- قم بوضع الغطاء دائماً على منفذ USB عند عدم شحن الجهاز ذو الجهد المنخفض.
- لا تدخل مسمار، أسلاك، إلخ إلى منفذ إمدادات الطاقة USB. وإلا فإن الماء الكهربائي قد يتسبب بحدوث الدخان والنار.
- لا تقم بتوصيل مأخذ الـ USB هذا مع منفذ USB على الكمبيوتر الخاص بك، حيث أنه من الممكن جداً أن يتسبب بعتل الوحدات.

## لاستماع إلى الموسيقى عبر البث بتقنية البلوتوث

تحتاج إلى إقران جهاز بلوتوث الخاص بك مع مكر الصوت قبل أن تتمكن من الربط التلقائي لتشغيل/تحميل موسيقى البلوتوث من خلال مكر الصوت. يؤدي الإقتران إلى إنشاء "رابطة" بحيث تمكن الجهازين من التعرف على بعضهما البعض.

**ملاحظة:** للحصول على أفضل جودة صوت، نوصي بضبط مستوى الصوت على أكثر من الثلثين على جهاز البلوتوث وبعدها من ضبط مستوى الصوت على مكر الصوت كما هو مطلوب.

1. إقران جهاز البلوتوث لأول مرة  
اضغط على زر الطاقة لتشغيل مكر الصوت. سيظهر "الإقتران" على الشاشة لإظهار أن مكر الصوت قابل للاكتشاف.
2. قم بتشغيل البلوتوث على جهازك وفقاً لدليل مستخدم الجهاز لربطه بمكر الصوت. حدد موقع قائمة أجهزة البلوتوث وحدد الجهاز المسمى "DMR203" (مع بعض الهواتف المحمولة المزودة بإصدارات سابقة من جهاز البلوتوث BT2.1، قد تحتاج إلى إدخال رمز المرور "0000").
3. بمجرد الاقتران، سيكون هناك صوت نغمة التأكيد. وستظهر كلمة "مقرن" على الشاشة. ويمكن ببساطة اختيار وتشغيل أي موسيقى من جهازك المصدر. ويمكن ضبط التحكم في مستوى الصوت من جهازك المصدر، أو مباشرة من مكر الصوت.
4. استخدم عناصر التحكم في جهازك الذي يدعم تقنية البلوتوث أو على مكر

الصوت لتشغيل/إيقاف مؤقت والتنقل بين المسارات.

### ملاحظة:

- إذا كان هناك جهازان يعملان بتقنية البلوتوث، وهما يعملان على الإقتران لأول مرة، ويبحث كلاهما عن مكر الصوت، فسيظهر تفره على كلا الجهازين. ومع ذلك، إذا اتصل أحد الأجهزة بهذه الوحدة أولاً، فلن يعثر عليه جهاز البلوتوث الآخر في القائمة.
- إذا تم فصل جهاز البلوتوث مؤقتاً عن مكر الصوت، فأنت بحاجة إلى إعادة توصيل جهازك يدوياً بمكر الصوت.
- إذا ظهر "DMR203" في قائمة جهاز البلوتوث ولكن لا يمكن لجهازك الاتصال به، فيرجى حذف العنصر من قائمتك وإقران الجهاز بمكر الصوت مرة أخرى بتابع الخطوات الموضحة مسبقاً.
- يبلغ الحد الأمثل لنطاق بث البلوتوث حوالي 10 أمتار (خط الرؤية) لمكر الصوت ولكن المسافة التي تصل إلى 30 متراً (100 قدم) ممكنة.
- في حالة فقد اتصال البلوتوث بسبب تجاوز وقت الفصل أو تجاوز المسافة أو العوائق أو غير ذلك، قد يكون من الضروري إعادة توصيل جهازك بمكر الصوت.
- قد تؤثر العوائق المادية أو الأجهزة اللاسلكية الأخرى أو الأجهزة الكهرومغناطيسية على جودة الاتصال.
- قد يختلف أداء اتصال البلوتوث وفقاً لأجهزة البلوتوث المتصلة. يرجى الرجوع إلى إكباتنا الخاصة بجهازك قبل الاتصال بمكر الصوت. قد لا تكون جميع الميزات مدعومة على بعض أجهزة البلوتوث المقترنة.

## تشغيل ملفات الصوت في وضع البلوتوث

عندما تقوم بتوصيل السماعة بنجاح بجهاز البلوتوث المختار، يمكنك البدء في تشغيل الموسيقى الخاصة بك باستخدام عناصر التحكم على جهاز البلوتوث المتصل.

1. بمجرد بدء التشغيل، اضبط مستوى الصوت على الإعداد المطلوب باستخدام أزرار مستوى الصوت على مكر الصوت أو على جهاز البلوتوث الممكن.
2. استخدم عناصر التحكم الموجودة على جهاز البلوتوث لتشغيل/إيقاف مؤقت والتنقل بين المسارات. بدلاً من ذلك، يمكنك التحكم في التشغيل باستخدام أزرار التشغيل/الإيقاف المؤقت، والمسار التالي/السابق على مكر الصوت.
3. اضغط باستمرار على زر التقديم السريع أو زر التراجع للتنقل خلال المسار الحالي. حرر الزر عند الوصول إلى النقطة المطلوبة.

### ملاحظة:

- قد لا تستجيب جميع تطبيقات أو أجهزة الموسيقى لكل عناصر التحكم هذه.
- قد تُفصل بعض الهواتف المحمولة مؤقتاً عن مكر الصوت عند إجراء المكالمات أو تلقيها. وقد تعمل بعض الأجهزة على كتف بث صوت البلوتوث الخاص بها مؤقتاً عندما تتلقى رسائل نصية أو رسائل بريد إلكتروني أو لأسباب أخرى لا علاقة لها ببث الصوت. مثل هذا السلوك تابع لوظيفة الجهاز المتصل ولا يشير إلى وجود خطأ في مكر الصوت.
- ستعرض الشاشة معلومات المسار مثل العنوان، والفنان، والألبوم، إلخ، عند التشغيل في وضع البلوتوث.

## تشغيل جهاز مصدر البلوتوث المقترن مسبقاً

- يمكن لمكر الصوت حفظ ما يصل إلى 8 مجموعات من الأجهزة المقترنة، عندما تتجاوز الذاكرة هذه الكمية، سيتم كتابة أقدم سجل إقران. وإذا كان جهاز البلوتوث الخاص بك قد تم إقرانه بالفعل مع مكر الصوت مسبقاً، فسيتقوم الوحدة بحفظ جهاز البلوتوث الخاص بك وتحاول إعادة الاتصال بجهاز موجود في ذاكرة آخر اتصال. إذا كان آخر جهاز متصل غير متوفر، فسيكون مكر الصوت قابل للاكتشاف.

## فصل جهاز البلوتوث الخاص بك

اضغط مع الاستمرار على زر إقران البلوتوث لمدة 2-3 ثوان حتى يتم عرض "مقرن" على الشاشة لقطع اتصالك بجهاز البلوتوث أو إيقاف تشغيل البلوتوث على جهاز البلوتوث لتعطيل الاتصال.



## التركيب وتزويد الطاقة

⚠ تحذير:

- احرص على عدم ضغط أصابعك عند فتح وإغلاق غطاء البطارية.
- أعد صندوق حجرة البطارية إلى الموضع الأصلي، بعد تركيب عوبة البطارية أو إزالتها. إذا لم يكن الأمر كذلك، فقد تسقط عوبة البطارية عن طريق الخطأ من مكرير الصوت، مما يتسبب في الإصابة لك أو للأشخاص من حولك.
- أغلق دائماً صندوق عوبة حجرة البطارية واقفله قبل تحريك مكرير الصوت.
- أغلق مكرير الصوت دائماً قبل تركيب عوبة البطارية أو إزالتها.
- احرص على عدم إسقاط مكرير الصوت أو ضربها. الهيكل المكسور قد يجرح أصيبيك أو يوخز جسمك. وقد يتسبب مكرير الصوت التالف في سلوك غير متوقع يؤدي إلى نشوب حريق أو انفجار أو خطر الإصابة.
- قم بمسك مكرير الصوت وعوبة البطارية بإحكام عند تركيب أو إخراج عوبة البطارية. وقد يؤدي عدم حمل مكرير الصوت وعوبة البطارية بإحكام إلى انزلاق يديك وإحداث تلف في مكرير الصوت وعوبة البطارية والإصابات الشخصية.

هام:

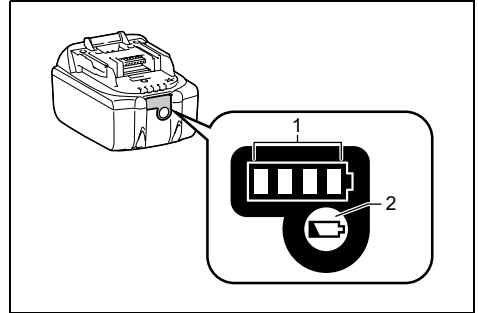
- انخفاض الطاقة أو التشويه أو "صوت التأتأة" أو "البطارية المنخفضة" التي تظهر على الشاشة، كلها علامات على أن حزمة البطارية الرئيسية بحاجة إلى الاستبدال.
- لا يمكن شحن عوبة البطارية عبر محول طاقة التيار المتناوب المصاحب.
- لا يتم تضمين خرطوشة البطارية كملحقات قياسية.

### تثبيت أو إزالة خرطوشة البطارية الشريحة (الشكل 3 و 4)

- لتركيب عوبة البطارية، قم بمحاذاة اللسان الموجود على عوبة البطارية مع الأخدود الموجود في الهيكل وادخله إلى مكانه. قم دائماً بإدخاله حتى يتم قفله في مكانه بنقرة صغيرة.
- إذا استطعت رؤية المؤشر الأحمر على الجانب العلوي من الزر، فهو غير مغلق تماماً. قم بتثبيته بالكامل بحيث لا يمكن رؤية المؤشر الأحمر. إذا لم يكن كذلك، فقد تسقط بطريق الخطأ من مكرير الصوت، مما يتسبب في الإصابة لك أو لشخص من حولك.
- لا تستخدم القوة عند إدخال خرطوشة البطارية. إذا لم يتم إدخال الخرطوشة بسهولة، فلن يتم إدخالها بشكل صحيح.
- لإزالة عوبة البطارية، قم بتحريكها من مكرير الصوت أثناء الضغط على

### الزر الموجود في مقدمة العوبة.

\* مينا سعة البطارية المتبقية فقط لعوات البطارية مع "B" في نهاية رقم الطراز



### ➤ 1. مصابيح المؤشر 2. زر التفحص

قم بالضغط على زر التفحص الموجود على عوبة البطارية للإشارة إلى سعة البطارية المتبقية. ستضئ مصابيح المؤشر لبعض ثوان.

### • بطاريات 14.4ف-18ف

المؤشرات أو المصابيح			السعة المتبقية
مضاءة	إيقاف	وامض	
■ ■ ■ ■	□ □ □ □	□ □ □ □	75% ~ 100%
■ ■ ■ □	□ □ □ □	□ □ □ □	50% ~ 75%
■ ■ □ □	□ □ □ □	□ □ □ □	25% ~ 50%
■ □ □ □	□ □ □ □	□ □ □ □	0% ~ 25%
■ □ □ □	□ □ □ □	□ □ □ □	شحن البطارية
■ □ □ □	□ □ □ □	□ □ □ □	قد تكون البطارية تعطلت

### • الحد الأقصى للبطاريات 10.8ف-12ف

المؤشرات أو المصابيح			السعة المتبقية
مضاءة	إيقاف	وامض	
■ ■ ■ ■	□ □ □ □	□ □ □ □	75% ~ 100%
■ ■ ■ □	□ □ □ □	□ □ □ □	50% ~ 75%
■ ■ □ □	□ □ □ □	□ □ □ □	25% ~ 50%
■ □ □ □	□ □ □ □	□ □ □ □	0% ~ 25%

ملاحظة:

اعتماداً على ظروف الاستخدام ودرجة الحرارة المحيطة، وقد يختلف المؤشر قليلاً عن السعة المتبقية.

### باستخدام محول التيار المتردد المصاحب

قم بإزالة واقي المطاط وأدخل قابس المحول في مقبس التيار المتردد على الجانب الأيمن من مكرير الصوت. قم بتوصيل المحول بمأخذ توصيل التيار الكهربائي القياسي. عند استخدام المحول، يتم فصل حزمة البطارية تلقائياً.

⚠ تحذير:

- أفضل دانماً محول التيار المتناوب تماماً قبل تحريك مكرير الصوت. إذا لم تتم إزالة محول التيار المتناوب، فقد يتسبب ذلك في حدوث صدمة كهربائية.
- لا تسحب و/أو تشد سلك المحول. إذا لم يكن الأمر كذلك، فقد يسقط مكرير الصوت بطريق الخطأ، مما يتسبب في إصابة لك أو للأشخاص من حولك.

هام:

- يُستخدم محول التيار الكهربائي كوسيلة لتوصيل مكرير الصوت بمصدر التيار الكهربائي. يجب أن يظل مقبس التيار الكهربائي المستخدم لمكرير الصوت متاحاً أثناء الاستخدام العادي.
- لفصل مكرير الصوت، يجب إزالة محول التيار الكهربائي من مأخذ التيار الكهربائي تماماً.

\* حزم البطارية المناسبة لمكبر الصوت هذا مدرجة في الجدول التالي.

\* الجدول التالي يشير إلى وقت التشغيل على شحنة واحدة.

على مخرج مكبر الصوت = 100. واط الوحدة: ساعة (تقريباً)		جهد عبوة البطارية			سعة البطارية
الإدخال الإضافي	بلوتوث	18 ف	14.4 ف	10.8 ف- الأقصى 12 ف	
6.5	5.5		BL1415		1.3 أمبير ساعي
6.5	6.0	BL1815			
9.5	8.5			BL1015 BL1016	1.5 أمبير ساعي
8.5	7.5		BL1415N		
8.5	7.5	BL1815N			
12	11			BL1020B BL1021B	2 أمبير ساعي
11	10	BL1820 BL1820B			
14	13		BL1430 BL1430B		3 أمبير ساعي
16	14	BL1830 BL1830B			
25	22			BL1040B BL1041B	4 أمبير ساعي
22	20		BL1440		
22	20	BL1840 BL1840B			
27	24		BL1450		5 أمبير ساعي
29	26	BL1850 BL1850B			
30	27		BL1460B		6 أمبير ساعي
35	32	BL1860B			

⚠ تحذير:

استخدم فقط عبوة البطارية المذكورة أعلاه. قد يتسبب استخدام أي من عبوات البطارية الأخرى في إصابة و/أو نشوب حريق.

ملحوظة:

- فيما يتعلق بوقت تشغيل البطارية الجدول أعلاه هو المرجع.
- قد يختلف وقت التشغيل الفعلي حسب نوع البطارية أو حالة الشحن أو بيئة الاستخدام.

فهرنهايت) قد يسبب الانفجار.

13. اتبع جميع تعليمات الشحن ولا تقم بشحن البطارية أو الأداة خارج نطاق درجة الحرارة المحدد في التعليمات. قد يؤدي الشحن غير الصحيح أو في درجات حرارة خارج النطاق المحدد إلى إتلاف البطارية وزيادة خطر نشوب حريق.
14. يتم استخدام قايس MAINS كجهاز فصل، وسيظل قابلاً للتشغيل بسهولة.
15. لا تستخدم المنتج على أعلى مستوى صوت لأي فترة ممتدة لتجنب تلف السمع، قم باستخدام المنتج بمستوى صوت متوسط.
16. بالنسبة للمنتجات ذات شاشة LCD فقط) تشمل شاشات LCD على سائل قد يسبب تهيج وتسمم. إذا دخل السائل العينين أو الفم أو الجلد، قم بغسله بالماء واتصل بالطبيب.
17. لا تعرض المنتج للأمطار أو الظروف الرطبة. حيث أن المياه التي تدخل المنتج ستزيد من خطر حدوث صدمة كهربائية.
18. هذا المنتج غير مخصص للاستخدام من قبل أشخاص (بمن فيهم الأطفال) ذوي قدرات بدنية أو حسية أو ذهنية منخفضة، أو نقص في الخبرة والمعرفة، ما لم يتم منحهم الإشراف أو التعليمات المتعلقة باستخدام المنتج من قبل شخص مسؤول عن السلامة. ويجب مراقبة الأطفال للتأكد من أنهم لا يلعبون بالمنتج. قم بحفظ المنتج بعيداً عن متناول الأطفال.
19. لا تقم بتشغيل محرك الصوت أو تعريضه للحرارة أو تركه في مكان ساخن مثل قرب مصدر الحرارة أو التعرض لأشعة الشمس المباشرة أو داخل السيارة تحت أشعة الشمس الحارقة. القيام بذلك قد يتسبب في نشوب حريق أو انفجار ويؤدي إلى إصابة شخصية.

## قم بحفظ هذه التعليمات

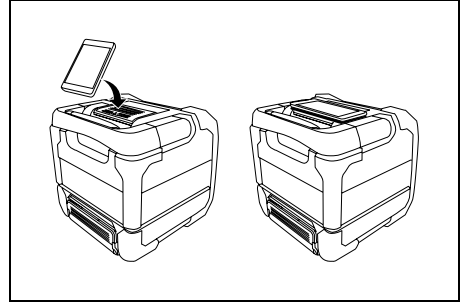
### قواعد السلامة الخاصة لعبوة البطارية

1. قبل استخدام عبوة البطارية، اقرأ جميع التعليمات وعلامات التحذير على (1) شاحن البطارية، (2) البطارية، (3) المنتج الذي يستخدم البطارية.
2. لا تقم بتفكيك عبوة البطارية.
3. إذا أصبح وقت التشغيل أقصر من اللازم، توقف عن العمل على الفور. قد يؤدي إلى خطر ارتفاع درجة الحرارة، والحروق المحتملة، وحتى الانفجار.
4. إذا دخل الموصل الكهربائي في عينيك، قم بشطفها بالماء الصافي والاصد العناية الطبية على الفور. قد يؤدي ذلك إلى فقدان بصرك.
5. تجنب تماس الكهربائي لعبوة البطارية:
  - (1) لا تلمس الأطراف بأي مواد موصلة.
  - (2) تجنب تخزين عبوة البطارية في حاوية بها أشياء معدنية أخرى مثل المسامير والعملات المعدنية، إلخ.
  - (3) لا تعرض عبوة البطارية للماء أو المطر. يمكن أن تتسبب تماس الكهربائي للبطارية إلى تدفق تيار كبير، وارتفاع درجة الحرارة، وحروق محتملة، وحتى العطل.
6. لا تقم بتخزين الأداة وعبوة البطارية في المواقع التي قد تصل درجة الحرارة فيها أو تتجاوز 50 درجة مئوية (122 درجة فهرنهايت).
7. لا تقم بحرق عبوة البطارية حتى لو كانت تالفة بشدة أو تآكلت تماماً. يمكن أن تنفجر عبوة البطارية في النار.
8. احرص على عدم إسقاط أو ضرب البطارية.
9. لا تستخدم بطارية تالفة.
10. لتجنب المخاطر، يجب قراءة دليل استبدال البطارية قبل الاستخدام. ويجب أن يكون تيار التفريغ الأقصى للبطارية أكبر من أو يساوي 8 أمبير.
11. تخضع بطاريات المحتوية للليثيوم أيون لمتطلبات تشريع البضائع الخطرة. بالنسبة إلى وسائل النقل التجارية، على سبيل المثال من قبل أطراف ثالثة، يجب مراعاة وكلاء الشحن، بوضع علامات المتطلبات الخاصة على التعبئة والتغليف.

## العربية (التعليمات الأصلية)

### شرح المنظر العام (الشكل 1)

1. صندوق حجرة البطارية/لوحة وضع الجوال (الهاتف الخليوي)



2. مقبض

3. مقبس التيار المتواصل

4. مقبس الإخلال الاحتياطي

5. مقبس شحن USB

6. مكبر الصوت

7. شاشة LCD

8. زر رفع مستوى الصوت

9. زر خفض مستوى الصوت

10. زر إضافي (زوج أزرق إضافية)

11. زر يمين/يسار

12. زر المسار التالي/التقديم السريع

13. زر التشغيل/الإيقاف المؤقت

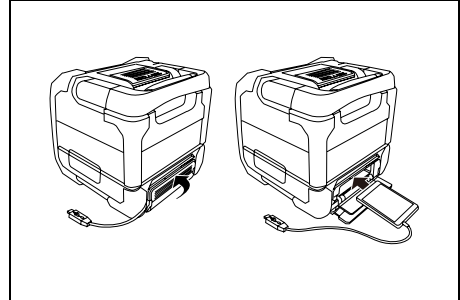
14. زر المسار السابق/الرجوع

15. زر اقتران البلوتوث

16. زر تحكم المعادل

17. زر التشغيل

18. حجرة حفظ الجوال (الهاتف الخليوي)



19. بطارية طرفية 14.4 فولت/18 فولت

20. الحد الأقصى للبطارية الطرفية

21. غطاء حجرة حفظ الجوال

22. ثقب الكابل

## الرموز

فيما يلي تظهر الرموز المستخدمة للمعدات. تأكد من أنك تفهم معناها قبل الاستخدام.



قراءة دليل التعليمات.

فقط لدول الاتحاد الأوروبي

لا تتخلص من المعدات الكهربائية أو حزمة البطارية مع النفايات

المزيلة! مع مراعاة التوجيهات الأوروبية المتعلقة بنفايات المعدات الكهربائية والإلكترونية والبطاريات والمراكم وتنفيذها وفقاً للقوانين الوطنية، حيث يجب أن تكون المعدات والبطاريات الكهربائية ومجموعة البطاريات التي وصلت إلى نهاية عمرها مجمعة بشكل منفصل وإعادتها إلى منشأة إعادة التدوير المتوافقة بيئياً.



## تعليمات هامة للسلامة

### تحذير: ⚠

عند استخدام الأدوات الكهربائية، يجب دائماً اتباع احتياطات السلامة الأساسية لتقليل مخاطر الحريق والصدمات الكهربائية والإصابات الشخصية، بما في ذلك ما يلي:

1. اقرأ دليل التعليمات لهذا ولجميع تعليمات الشاحن بعناية قبل الاستخدام.
2. التنظيف فقط بقطعة قماش جافة.
3. لا تقم بالتثبيت بالقرب من أي مصادر للحرارة مثل المشعات أو سجلات الحرارة أو الأفران أو أي جهاز آخر (بما في ذلك مضخات الصوت التي تنتج الحرارة).
4. استخدام فقط المرشحات والملحقات المحددة من قبل الشركة المصنعة.
5. قم بفصل هذا الجهاز أثناء عواصف البرق أو عند عدم استخدامه لفترات طويلة من الزمن.
6. يجب إعادة شحن مكبر الصوت الذي يعمل بالبطارية مع بطاريات متكاملة أو حزمة بطارية منفصلة فقط مع الشاحن المحدد للبطارية. قد ينتج عن الشاحن الذي قد يكون مناسباً لنوع واحد فقط من أنواع البطارية خطر نشوب حريق عند استخدامه مع بطارية أخرى.
7. لا تستخدم مكبر الصوت الذي يعمل بالبطارية إلا مع حزم البطاريات المخصصة على وجه التحديد. هذا وقد يؤدي استخدام أي بطاريات أخرى إلى نشوب حريق.
8. عندما لا تكون حزمة البطارية قيد الاستخدام، قم بإبقائها بعيدة عن الأجسام المعدنية الأخرى مثل: المشابك الورقية أو العملات المعدنية أو المفاتيح أو المسامير أو البراغي أو أي أشياء معدنية صغيرة أخرى يمكنها نقل التيار من طرف إلى آخر. قد يؤدي تقريب أطراف البطارية من بعض إلى ظهور شرارات أو حدوث حروق أو حريق.
9. تجنب ملامسة الجسم للأسطح الأرضية مثل الأثاث، المشعات، التروس، والتلجالات. هناك خطر متزايد من حدوث صدمة كهربائية إذا تم تأريض جسمك.
10. في ظل ظروف المسببة للاستعمال، قد يتم خروج السائل من البطارية؛ تجنب التلامس. إذا حدث تلامس بطريق الخطأ، قم بالغسل بالماء. إذا لامس السائل العينين، قم بطلب المساعدة الطبية بالإضافة للغسل بالماء. قد يتسبب السائل الناتج من البطارية في حدوث تهيج أو حروق.
11. لا تستخدم حزمة البطارية أو أداة تالفة أو معقدة. قد تتعرض البطاريات التالفة أو المعقدة إلى سلوك غير متوقع يؤدي إلى نشوب حريق أو انفجار أو خطر الإصابة.
12. لا تعرض حزمة البطارية أو الأداة للنار أو الحرارة الزائدة. التعرض للحريق أو درجة الحرارة فوق 130 درجة مئوية (266 درجة

**Makita Europe N.V.** Jan-Baptist Vinkstraat 2,  
3070 Kortenberg, Belgium

**Makita Corporation** 3-11-8, Sumiyoshi-cho,  
Anjo, Aichi 446-8502 Japan

DMR203-11L-AR-2001  
3A81dF5Z5000A

[www.makita.com](http://www.makita.com)

SJN