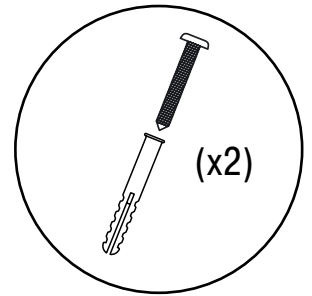
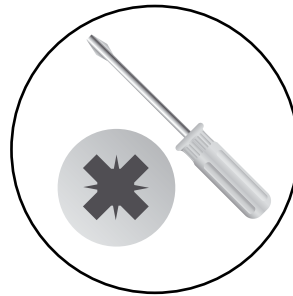
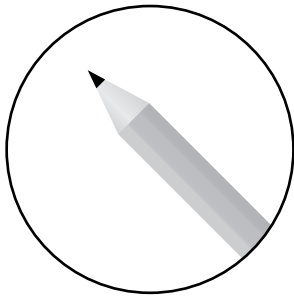
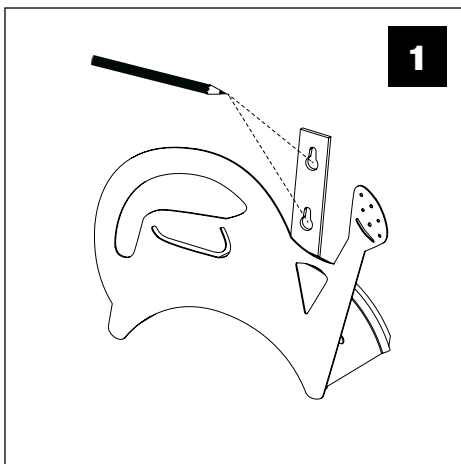


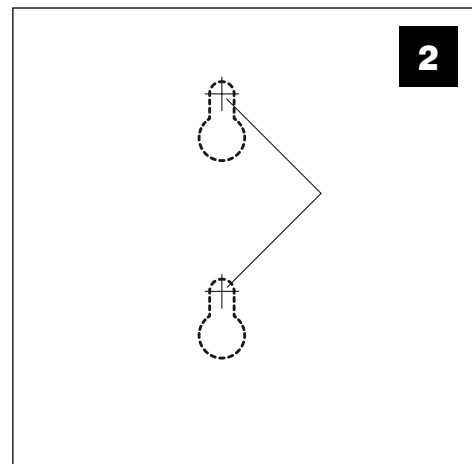
OUTILLAGE



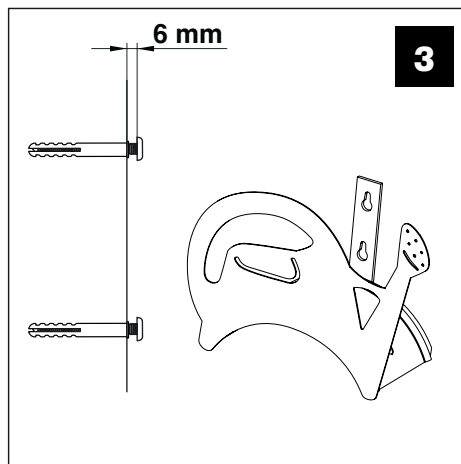
MONTAGE



1. Tracer les trous de fixation sur la paroi.

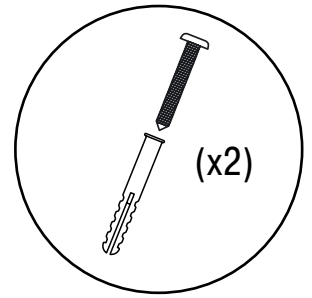
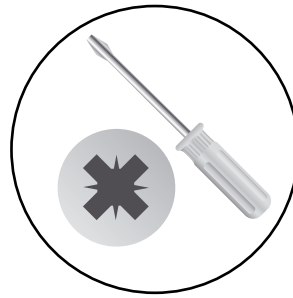
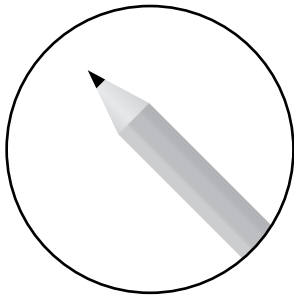


2. Percer la maçonnerie.

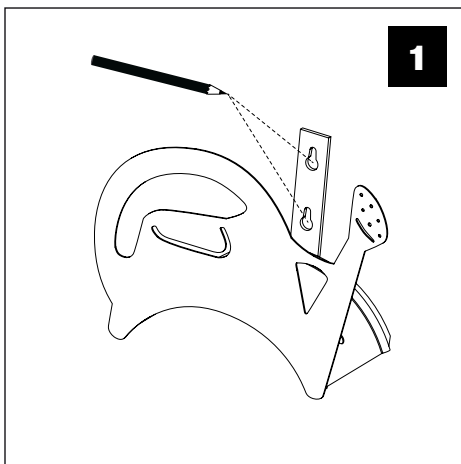


3. Visser le porte-tuyau.

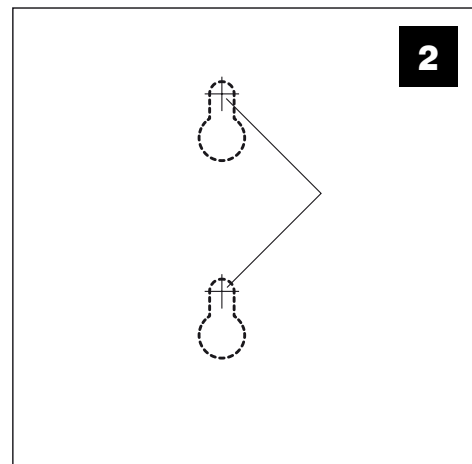
TOOLS



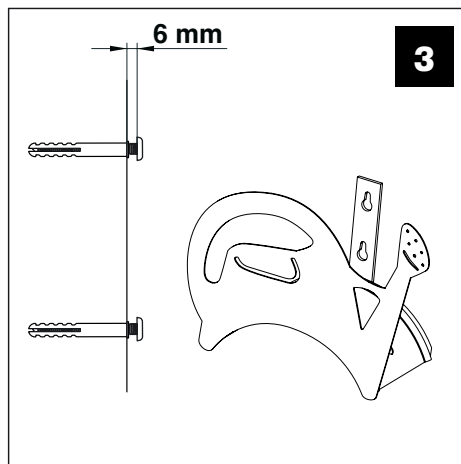
ASSEMBLY



1. Mark the mounting holes on the wall.



2. Drilling into the masonry.



3. Screw on the hose holder.