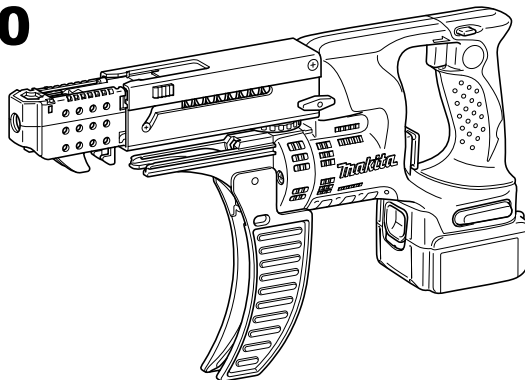




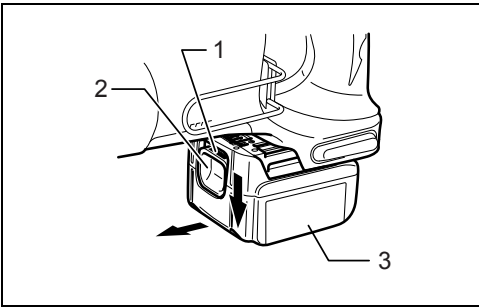
GB	Cordless Auto Feed Screwdriver	Instruction manual
F	Visseuse Automatique sans Fil	Manuel d'instructions
D	Akku-Schnellbau-Magazin-Schrauber	Betriebsanleitung
I	Avvitatore a batteria con alimentatore automatico	Istruzioni per l'uso
NL	Accuschroefautomaat	Gebruiksaanwijzing
E	Atornillador Autoalimentado Inalámbrico	Manual de instrucciones
P	Parafusadeira de Autoalimentação a Bateria	Manual de instruções
DK	Ledningsfri skruetrækker med automatisk fremføring	Brugsanvisning
GR	Φορητό αυτοτροφοδοτούμενο κατσαβίδι	Οδηγίες χρήσης

DFR540
DFR550
DFR750



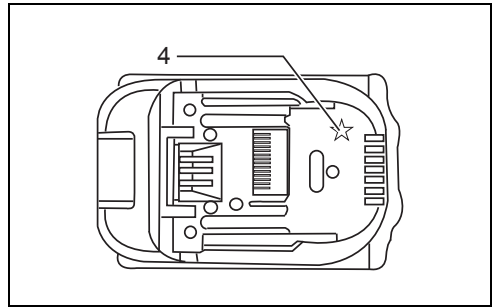
008261





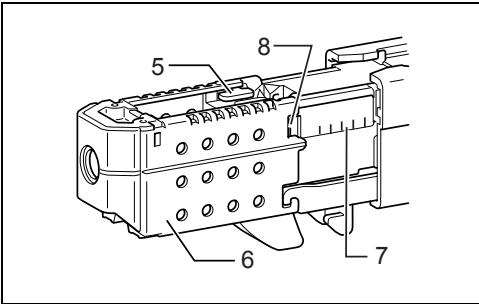
1

012156



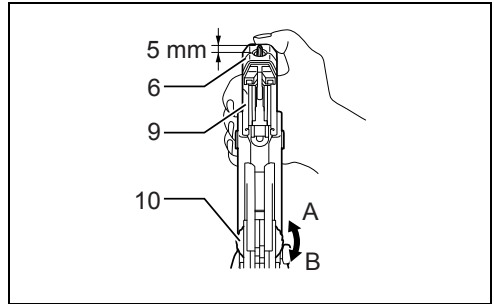
2

012128



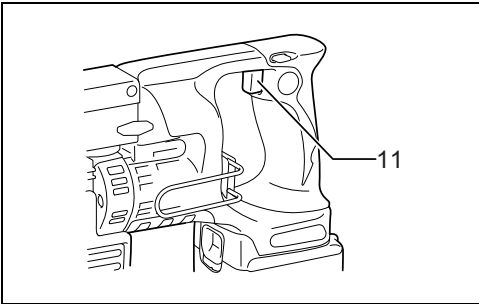
3

008123



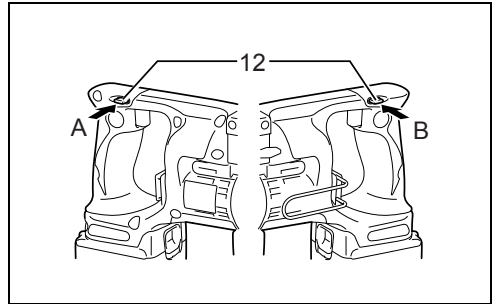
4

008124



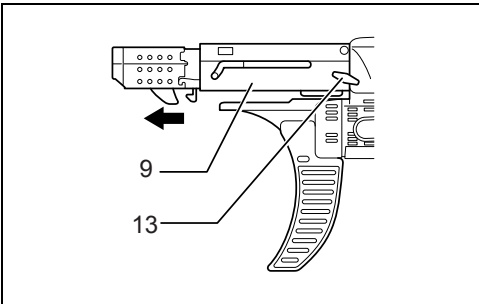
5

008282



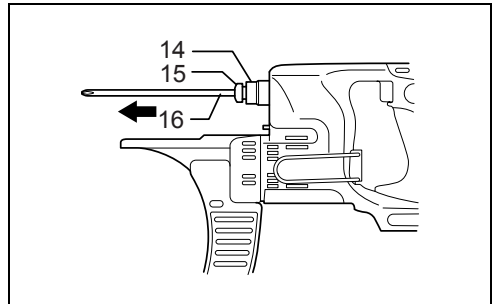
6

008283



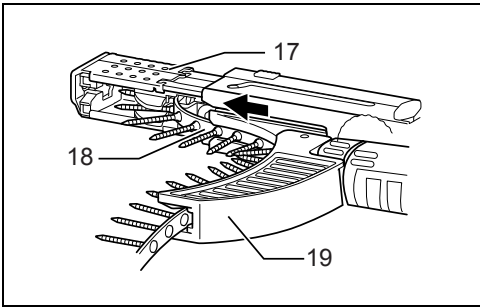
7

008285



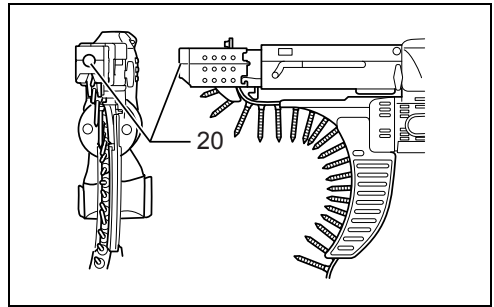
8

008286



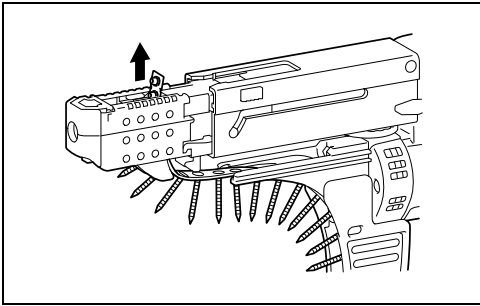
9

008290



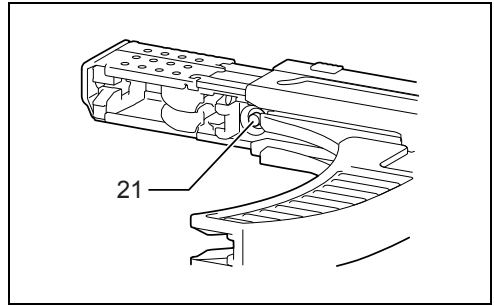
10

008288



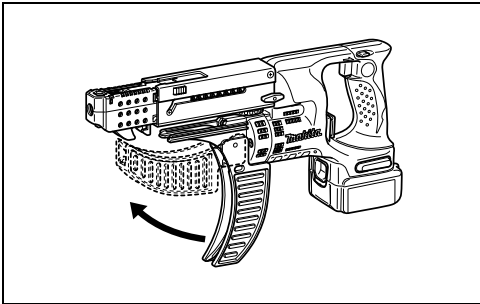
11

008281



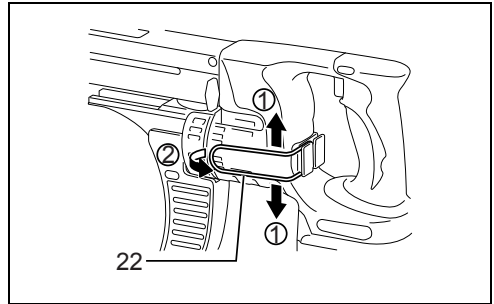
12

008128



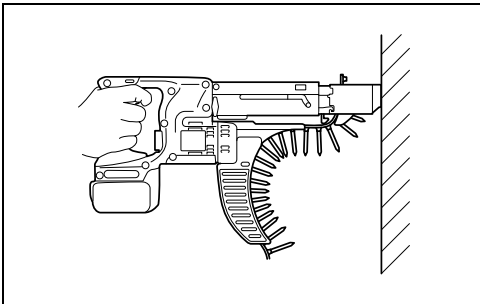
13

008289



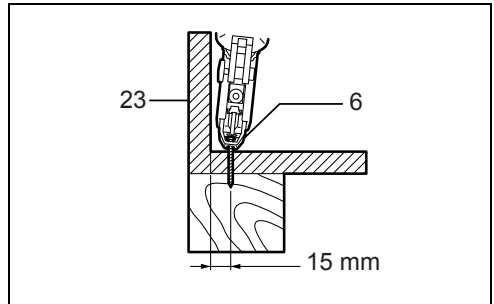
14

008262



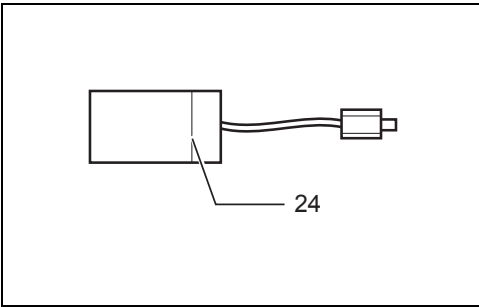
15

008263



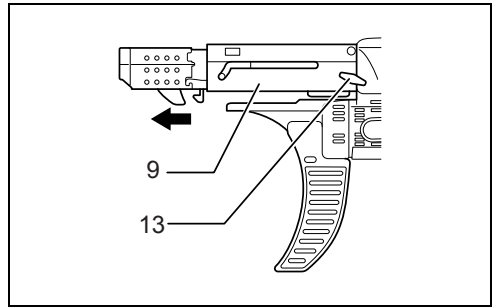
16

008612



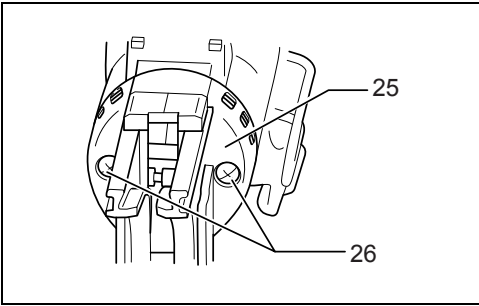
17

006258



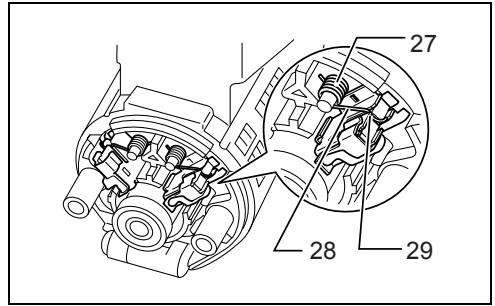
18

008285



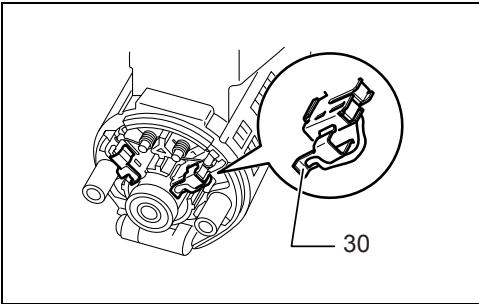
19

008287



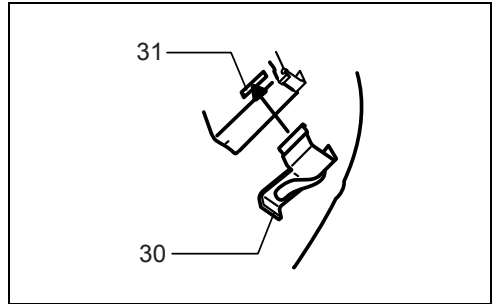
20

006816



21

006817



22

006304

ENGLISH (Original Instructions)

Explanation of general view

- | | | |
|------------------------|----------------------------|----------------------|
| 1. Red indicator | 12. Reversing switch lever | 23. Wall |
| 2. Button | 13. Thumb screw | 24. Limit mark |
| 3. Battery cartridge | 14. Plane bearing | 25. Front cover |
| 4. Star marking | 15. Dust cover | 26. Screws |
| 5. Lever | 16. Bit | 27. Spring |
| 6. Stopper base | 17. Feeder box | 28. Arm |
| 7. Label on feeder box | 18. Screw strip | 29. Recessed part |
| 8. Fenestella | 19. Screw guide | 30. Carbon brush cap |
| 9. Casing | 20. Driving position | 31. Hole |
| 10. Adjusting knob | 21. Reverse button | |
| 11. Switch trigger | 22. Hook | |

SPECIFICATIONS

Model	DFR540	DFR550	DFR750
Screw strip	4 x 25 - 55 mm		4 x 45 - 75 mm
No load speed (min ⁻¹)	4,000		
Overall length	424 m		464 mm
Net weight	2.0 kg	2.1 kg	2.1 kg
Rated voltage	D.C. 14.4 V	D.C. 18 V	D.C. 18 V

- Due to our continuing program of research and development, the specifications herein are subject to change without notice.
- Specifications and battery cartridge may differ from country to country.
- Weight, with battery cartridge, according to EPTA-Procedure 01/2003

Intended use

ENE033-1

The tool is intended for screw driving in wood, metal and plastic.

General Power Tool Safety Warnings

GEA010-1

⚠ WARNING Read all safety warnings and all instructions. Failure to follow the warnings and instructions may result in electric shock, fire and/or serious injury.

Save all warnings and instructions for future reference.

CORDLESS SCREWDRIVER SAFETY WARNINGS

GEB050-2

1. **Hold power tool by insulated gripping surfaces, when performing an operation where the fastener may contact hidden wiring.** Fasteners contacting a "live" wire may make exposed metal parts of the power tool "live" and could give the operator an electric shock.
2. **Always be sure you have a firm footing. Be sure no one is below when using the tool in high locations.**
3. **Hold the tool firmly.**
4. **Keep hands away from rotating parts.**
5. **Do not touch the bit or the workpiece immediately after operation; they may be extremely hot and could burn your skin.**

SAVE THESE INSTRUCTIONS.

⚠ WARNING:

DO NOT let comfort or familiarity with product (gained from repeated use) replace strict adherence to safety rules for the subject product. **MISUSE** or failure to follow the safety rules stated in this instruction manual may cause serious personal injury.

IMPORTANT SAFETY INSTRUCTIONS

ENC007-7

FOR BATTERY CARTRIDGE

1. **Before using battery cartridge, read all instructions and cautionary markings on (1) battery charger, (2) battery, and (3) product using battery.**
2. **Do not disassemble battery cartridge.**
3. **If operating time has become excessively shorter, stop operating immediately. It may result in a risk of overheating, possible burns and even an explosion.**
4. **If electrolyte gets into your eyes, rinse them out with clear water and seek medical attention right away. It may result in loss of your eyesight.**
5. **Do not short the battery cartridge:**
 - (1) **Do not touch the terminals with any conductive material.**
 - (2) **Avoid storing battery cartridge in a container with other metal objects such as nails, coins, etc.**

- (3) **Do not expose battery cartridge to water or rain.**

A battery short can cause a large current flow, overheating, possible burns and even a breakdown.

6. **Do not store the tool and battery cartridge in locations where the temperature may reach or exceed 50°C (122°F).**
7. **Do not incinerate the battery cartridge even if it is severely damaged or is completely worn out. The battery cartridge can explode in a fire.**
8. **Be careful not to drop or strike battery.**
9. **Do not use a damaged battery.**

SAVE THESE INSTRUCTIONS.

Tips for maintaining maximum battery life

1. **Charge the battery cartridge before completely discharged.**
Always stop tool operation and charge the battery cartridge when you notice less tool power.
2. **Never recharge a fully charged battery cartridge. Overcharging shortens the battery service life.**
3. **Charge the battery cartridge with room temperature at 10°C - 40°C (50°F - 104°F). Let a hot battery cartridge cool down before charging it.**
4. **Charge the battery cartridge once in every six months if you do not use it for a long period of time.**

FUNCTIONAL DESCRIPTION

CAUTION:

- Always be sure that the tool is switched off and the battery cartridge is removed before adjusting or checking function on the tool.

Installing or removing battery cartridge (Fig. 1)

- Always switch off the tool before installing or removing of the battery cartridge.
- To remove the battery cartridge, slide it from the tool while sliding the button on the front of the cartridge.
- To install the battery cartridge, align the tongue on the battery cartridge with the groove in the housing and slip it into place. Always insert it all the way until it locks in place with a little click. If you can see the red indicator on the upper side of the button, it is not locked completely. Install it fully until the red indicator cannot be seen. If not, it may accidentally fall out of the tool, causing injury to you or someone around you.
- Do not use force when installing the battery cartridge. If the cartridge does not slide in easily, it is not being inserted correctly.

Battery protection system (Lithium-ion battery with star marking) (Fig. 2)

Lithium-ion batteries with a star marking are equipped with a protection system. This system automatically cuts off power to the tool to extend battery life. The tool will automatically stop during operation if the tool and/or battery are placed under one of the following conditions:

- **Overloaded:**
The tool is operated in a manner that causes it to draw an abnormally high current. In this situation, release the trigger switch on the tool and stop the application that caused the tool to become overloaded. Then pull the trigger switch again to restart.
If the tool does not start, the battery is overheated. In this situation, let the battery cool before pulling the trigger switch again.
- **Low battery voltage:**
The remaining battery capacity is too low and the tool will not operate. In this situation, remove and recharge the battery.

Setting for desired screw length (Fig. 3)

There are 7 positive-lock screw length settings. To obtain the desired setting, pull out the stopper base while depressing the lever until you see the number of the desired screw length (indicated on the label on feeder box) appear to rest in the fenestella of stopper base. See the table below for the relation between the number indicated on the label on feeder box and the respective screw length.

For Models DFR540, DFR550

Number indicated on the label	Screw length
25	25 mm
30	30 mm
35	35 mm
40	40 mm
45	45 mm
50	50 mm
55	55 mm

008238

For Model DFR750

Number indicated on the label	Screw length
45	45 mm
50	50 mm
55	55 mm
60	60 mm
65	65 mm
70	70 mm
75	75 mm

008241

Adjusting the driving depth (Fig. 4)

Depress the stopper base as far as it will go. While keeping it in this position, turn the adjusting knob until the bit tip projects approx. 5 mm from the stopper base. Drive a trial screw. If the screw head projects above the surface of the workpiece, turn the adjusting knob in the "A" direction; if the screw head is counter-sunk, turn the adjusting knob in the "B" direction.

Switch action (Fig. 5)

CAUTION:

- Before inserting the battery cartridge into the tool, always check to see that the switch trigger actuates properly and returns to the “OFF” position when released.

To start the tool, simply pull the switch trigger. Release the switch trigger to stop.

Reversing switch action (Fig. 6)

This tool has a reversing switch to change the direction of rotation. Depress the reversing switch lever from the A side for clockwise rotation or from the B side for counterclockwise rotation.

When the reversing switch lever is in the neutral position, the switch trigger cannot be pulled.

CAUTION:

- Always check the direction of rotation before operation.
- Use the reversing switch only after the tool comes to a complete stop. Changing the direction of rotation before the tool stops may damage the tool.
- When not operating the tool, always set the reversing switch lever to the neutral position.

ASSEMBLY

CAUTION:

- Always be sure that the tool is switched off and the battery cartridge is removed before carrying out any work on the tool.

Installing or removing the bit

Loosen the thumb screws which secure the casing. Pull out the casing in the direction of the arrow. (Fig. 7)

Press the dust cover toward the plane bearing and pull out the bit. If the dust cover cannot be moved as far as the plane bearing, try it again after turning the bit slightly. To install the bit, insert it into the socket while turning it slightly. After installing, always make sure that the bit is securely held in place by trying to pull it out. (Fig. 8)

Installing screw strip

Insert the screw strip through the screw guide. Then insert it through the feeder box until the first screw reaches the position next to the driving position. (Fig. 9 & 10)

Removing screw strip

To remove the screw strip, just pull it out in the direction of the arrow. If you depress the reverse button, you can pull out the screw strip in the reverse direction of the arrow. (Fig. 11 & 12)

Folding screw guide (Fig. 13)

Screw guide is foldable. Folding the screw guide allows space used for storage to be minimal.

Carry hook

The carry hook is convenient for temporarily hooking the tool. It can be installed on either side of the tool. When removing the carry hook, widen it by pressing its right ends ON BOTH SIDES in the directions of arrow (1) and raise it in the direction of the arrow (2). (Fig. 14)

OPERATION

Driving operation (Fig. 15)

Switch on the tool by pulling the switch trigger. Hold the tool squarely and firmly up against the driving surface. A screw will be automatically carried to the driving position and fastened.

CAUTION:

- Always check the bit carefully for wear before driving operations. Replace a worn bit or poor fastening may result.
- Always hold the tool squarely against the driving surface. Holding it at an angle may damage the screw heads and cause wear on the bit. This may also lead to poor fastening.
- Always keep the tool firmly against the driving surface until the driving is over. Failure to do so may cause insufficient fastening of screws.
- Be careful not to drive a screw onto another screw already fastened.
- Do not operate the tool without screws. It will damage the driving surface.
- Do not apply oil or grease on the sliding surface of the feeder box.

Driving in corner (Fig. 16)

This tool can be used to drive at a position 15 mm away from the wall as shown in the figure.

CAUTION:

- Driving at a position closer than 15 mm to the wall or driving with the stopper base in contact with the wall may damage the screw heads and cause wear on the bit. This may also lead to poor fastening of screws and malfunction of the tool.

MAINTENANCE

CAUTION:

- Always be sure that the tool is switched off and the battery cartridge is removed before attempting to perform inspection or maintenance.
- Never use gasoline, benzine, thinner, alcohol or the like. Discoloration, deformation or cracks may result.

Replacing carbon brushes (Fig. 17)

Replace when they wear down to the limit mark. Keep the carbon brushes clean and free to slip in the holders. Both carbon brushes should be replaced at the same time. Use only identical carbon brushes.

Loosen the thumb screws which secure the casing. Pull out the casing in the direction of the arrow. (Fig. 18)

Use a screwdriver to remove two screws then remove the front cover. (Fig. 19)

Raise the arm part of the spring and then place it in the recessed part of the housing with a slotted bit screwdriver of slender shaft or the like. (Fig. 20)

Use pliers to remove the carbon brush caps of the carbon brushes. Take out the worn carbon brushes, insert the new ones and replace the carbon brush caps in reverse. (Fig. 21)

Make sure that the carbon brush caps have fit into the holes in brush holders securely. (Fig. 22)

Reinstall the front cover and tighten two screws securely.

To maintain product SAFETY and RELIABILITY, repairs, any other maintenance or adjustment should be performed by Makita Authorized Service Centers, always using Makita replacement parts.

is switched off and when it is running idle in addition to the trigger time).

For European countries only
EC Declaration of Conformity
We Makita Corporation as the responsible manufacturer declare that the following Makita machine(s):

ENH101-15

Designation of Machine: Cordless Auto Feed Screwdriver
Model No./ Type: DFR540, DFR550, DFR750
are of series production and

Conforms to the following European Directives:
2006/42/EC

And are manufactured in accordance with the following standards or standardised documents:

EN60745

The technical documentation is kept by our authorised representative in Europe who is:

Makita International Europe Ltd.,
Michigan Drive, Tongwell,
Milton Keynes, Bucks MK15 8JD, England

30. 1. 2009



Tomoyasu Kato
Director

Makita Corporation
3-11-8, Sumiyoshi-cho,
Anjo, Aichi, 446-8502, JAPAN

OPTIONAL ACCESSORIES

CAUTION:

- These accessories or attachments are recommended for use with your Makita tool specified in this manual. The use of any other accessories or attachments might present a risk of injury to persons. Only use accessory or attachment for its stated purpose.

If you need any assistance for more details regarding these accessories, ask your local Makita Service Center.

- Drywall screw strip
- Phillips bit
- Various type of Makita genuine batteries and chargers
- Plastic carrying case

NOTE:

- Some items in the list may be included in the tool package as standard accessories. They may differ from country to country.

Noise ENG905-1
The typical A-weighted noise level determined according to EN60745:

Model DFR540

Sound pressure level (L_{pA}): 77 dB (A)
Uncertainty (K): 3 dB (A)

The noise level under working may exceed 80 dB (A).

Model DFR550

Sound pressure level (L_{pA}): 78 dB (A)
Uncertainty (K): 3 dB (A)

The noise level under working may exceed 80 dB (A).

Model DFR750

Sound pressure level (L_{pA}): 76 dB (A)
Uncertainty (K): 3 dB (A)

The noise level under working may exceed 80 dB (A).

Wear ear protection.

Vibration ENG900-1
The vibration total value (tri-axial vector sum) determined according to EN60745:

Work mode: screwdriving without impact
Vibration emission (a_h): 2.5 m/s² or less
Uncertainty (K): 1.5 m/s²

ENG901-1

- The declared vibration emission value has been measured in accordance with the standard test method and may be used for comparing one tool with another.
- The declared vibration emission value may also be used in a preliminary assessment of exposure.

WARNING:

- The vibration emission during actual use of the power tool can differ from the declared emission value depending on the ways in which the tool is used.
- Be sure to identify safety measures to protect the operator that are based on an estimation of exposure in the actual conditions of use (taking account of all parts of the operating cycle such as the times when the tool

FRANÇAIS (Instructions d'origine)

Descriptif

- | | | |
|--|-------------------------------|------------------------|
| 1. Voyant rouge | 11. Gâchette | 22. Crochet |
| 2. Bouton | 12. Levier de l'inverseur | 23. Mur |
| 3. Batterie | 13. Vis à oreilles | 24. Repère d'usage |
| 4. Étoile | 14. Roulement plat | 25. Couvercle avant |
| 5. Levier | 15. Protection anti-poussière | 26. Vis |
| 6. Base du butoir | 16. Foret | 27. Ressort |
| 7. Étiquette sur la boîte d'alimentation | 17. Boîte d'alimentation | 28. Bras |
| 8. Ouverture | 18. Bande de vis | 29. Partie encastrée |
| 9. Logement | 19. Guidage de la vis | 30. Bouchon de charbon |
| 10. Bouton de réglage | 20. Position de vissage | 31. Orifice |
| | 21. Bouton inverseur | |

CARACTERISTIQUES

Modèle	DFR540	DFR550	DFR750
Bande de vis	4 x 25 - 55 mm		4 x 45 - 75 mm
Vitesse à vide (min ⁻¹)	4 000		
Longueur totale	424 mm		464 mm
Poids net	2,0 kg	2,1 kg	2,1 kg
Tension nominale	C.C. 14,4 V	C.C. 18 V	C.C. 18 V

- Étant donné l'évolution constante de notre programme de recherche et de développement, les spécifications contenues dans ce manuel sont sujettes à des modifications sans préavis.
- Les spécifications et la batterie peuvent varier d'un pays à l'autre.
- Poids, batterie incluse, selon la procédure EPTA 01/2003

Utilisations

ENE033-1

L'outil est conçu pour le vissage dans le bois, le métal et le plastique.

Consignes de sécurité générales des outils électriques

GEA010-1

⚠ AVERTISSEMENT Veuillez lire toutes les consignes de sécurité et les instructions. Il y a un risque de choc électrique, d'incendie et/ou de blessure grave si les consignes et les instructions ne sont pas toutes respectées.

Conservez toutes les consignes et instructions pour référence ultérieure.

AVERTISSEMENTS DE SÉCURITÉ CONCERNANT LA PERCEUSE-VISSEUSE SANS FIL

GEB050-2

1. Tenez l'outil électrique par ses surfaces de poigne isolées lorsque vous effectuez une opération au cours de laquelle la pièce de fixation peut entrer en contact avec des fils cachés. Il est possible que les pièces de fixation entrant en contact avec un fil sous tension mettent les parties métalliques exposées de l'outil sous tension, risquant ainsi de provoquer un choc électrique chez l'utilisateur.
2. Assurez-vous toujours d'une bonne position d'équilibre. Assurez-vous que personne ne se

trouve dessous lorsque vous utilisez l'outil en position élevée.

3. Tenez l'outil fermement.
4. Gardez les mains éloignées des pièces en rotation.
5. Ne touchez ni l'embout ni la pièce immédiatement après l'opération ; ils risquent d'être extrêmement chauds et de vous brûler la peau.

CONSERVEZ CES INSTRUCTIONS.

⚠ AVERTISSEMENT :

NE vous laissez PAS tromper (au fil d'une utilisation répétée) par un sentiment d'aisance et de familiarité avec le produit, en négligeant le respect rigoureux des consignes de sécurité qui accompagnent l'outil. Une UTILISATION INCORRECTE de l'outil ou un non-respect des consignes de sécurité indiquées dans ce manuel d'instructions peuvent causer des blessures graves.

CONSIGNES DE SÉCURITÉ IMPORTANTES

ENC007-7

POUR LA BATTERIE

1. Avant d'utiliser la batterie, veuillez lire toutes les instructions et tous les avertissements inscrits sur (1) le chargeur, (2) la batterie et (3) l'appareil alimenté par la batterie.
2. Ne démontez pas la batterie.

3. **Cessez immédiatement d'utiliser la scie circulaire si le temps de fonctionnement devient excessivement court. Il y a risque de surchauffe, de brûlures, voire d'explosion.**
 4. **Si l'électrolyte pénètre dans vos yeux, rincez-les à l'eau claire et consultez immédiatement un médecin. Il y a risque de perte de la vue.**
 5. **Évitez de court-circuiter la batterie :**
 - (1) **Ne touchez les bornes avec aucun matériau conducteur.**
 - (2) **Évitez de ranger la batterie dans un contenant où se trouvent d'autres objets métalliques tels que des clous, pièces de monnaie, etc.**
 - (3) **N'exposez pas la batterie à l'eau ou à la pluie. Un court-circuit de la batterie risque de provoquer un fort courant, une surchauffe, parfois des brûlures et même une panne.**
 6. **Ne rangez pas l'outil ou la batterie dans des endroits où la température risque d'atteindre ou de dépasser 50°C (122°F).**
 7. **Ne jetez pas la batterie au feu même si elle est sérieusement endommagée ou complètement épuisée. La batterie peut exploser au contact du feu.**
 8. **Veillez à ne pas laisser tomber ou heurter la batterie.**
 9. **N'utilisez pas de batterie endommagée.**
- Pour installer la batterie, alignez sa languette sur la rainure qui se trouve à l'intérieur du carter, puis glissez la batterie pour la mettre en place. Insérez-la toujours bien à fond, jusqu'à ce qu'elle se verrouille en émettant un léger clic. Si vous pouvez voir le voyant rouge sur la face supérieure du bouton, la batterie n'est pas parfaitement verrouillée. Installez-la à fond, jusqu'à ce que le voyant rouge ne soit plus visible. Sinon, elle risque de tomber accidentellement de l'outil, en vous blessant ou en blessant une personne située près de vous.
 - N'appliquez pas une force excessive lors de l'installation de la batterie. Si la batterie ne glisse pas aisément, c'est qu'elle n'est pas insérée correctement.

Système de protection de la batterie (batterie au lithium-ion comportant une étoile) (Fig. 2)

Les batteries au lithium-ion comportant une étoile sont équipées d'un système de protection. Ce système coupe automatiquement l'alimentation en électricité vers l'outil afin de prolonger sa durée de vie.

L'outil s'arrête automatiquement pendant l'utilisation lorsqu'il et/ou la batterie se trouvent dans l'une des situations suivantes :

- **Surchargé :**
L'outil fonctionne de manière à créer un courant anormalement élevé.
Dans ce cas, relâchez la gâchette située sur l'outil et arrêtez l'application ayant provoqué la surcharge de l'outil. Ensuite, tirez à nouveau sur la gâchette pour redémarrer l'outil.
Si l'outil ne démarre pas, la batterie est en surchauffe. Dans ce cas, laissez la batterie refroidir avant de tirer à nouveau sur la gâchette.
- **Basse tension :**
L'autonomie restante est trop basse et l'outil ne fonctionnera pas. Dans ce cas, retirez la batterie et rechargez-la.

Réglage pour la longueur de vis désirée (Fig. 3)

Il y a 7 réglages disponibles pour la longueur des vis à autoverrouillage. Pour obtenir le réglage désiré, tirez sur la base du butoir tout en enfonçant le levier jusqu'à ce que vous puissiez voir le chiffre correspondant à la longueur de vis désirée (indiquée sur l'étiquette de la boîte d'alimentation), tel qu'elle apparaît sur l'ouverture de la base du butoir. Voir le tableau ci-dessous pour connaître la relation entre le chiffre indiqué sur l'étiquette de la boîte d'alimentation et les plages de longueur de vis respectives.

CONSERVEZ CES INSTRUCTIONS.

Conseils pour assurer la durée de vie optimale de la batterie

1. **Rechargez la batterie avant qu'elle ne soit complètement épuisée.**
Arrêtez toujours l'outil et rechargez la batterie quand vous constatez que la puissance de l'outil diminue.
2. **Ne rechargez jamais une batterie complètement chargée.**
La surcharge réduit la durée de service de la batterie.
3. **Chargez la batterie alors que la température de la pièce se trouve entre 10°C et 40°C (50°F et 104°F).**
Si une batterie est chaude, laissez-la refroidir avant de la charger.
4. **Si vous n'utilisez pas l'outil pendant une période prolongée, rechargez la batterie tous les six mois.**

DESCRIPTION DU FONCTIONNEMENT

ATTENTION :

- Veillez toujours à ce que l'appareil soit éteint et la batterie retirée avant d'effectuer des réglages ou des contrôles sur le fonctionnement de l'appareil.

Installation et retrait de la batterie (Fig. 1)

- Éteignez toujours l'outil avant d'installer ou de déposer la batterie.
- Pour retirer la batterie, faites glisser le bouton à l'avant de la batterie et sortez la batterie.

Pour les modèles DFR540, DFR550

Chiffre sur l'étiquette	Longueur de la vis
25	25 mm
30	30 mm
35	35 mm
40	40 mm
45	45 mm
50	50 mm
55	55 mm

008238

Pour le modèle DFR750

Chiffre sur l'étiquette	Longueur de la vis
45	45 mm
50	50 mm
55	55 mm
60	60 mm
65	65 mm
70	70 mm
75	75 mm

008241

Réglage de la profondeur de vissage (Fig. 4)

Enfoncez la base du butoir le plus profondément possible. Tout en maintenant la base dans cette position, tournez le bouton de réglage jusqu'à ce que le bout de l'embout dépasse d'environ 5 mm par rapport à la base du butoir. Vissez une vis d'essai. Si la tête de la vis dépasse de la surface de la pièce, tournez le bouton de réglage dans le sens « A » ; si la tête de vis est noyée, tournez le boulon de réglage dans le sens « B ».

Interrupteur (Fig. 5)

ATTENTION :

- Avant d'insérer la batterie dans l'outil, vérifiez toujours que la gâchette fonctionne bien et revient en position d'arrêt lorsque libérée.

Pour mettre l'outil en marche, appuyez simplement sur la gâchette. Pour l'arrêter, relâchez la gâchette.

Marche arrière (Fig. 6)

L'outil possède un inverseur qui permet de changer le sens de rotation. Appuyez sur le levier de l'inverseur par le côté A pour une rotation dans le sens des aiguilles d'une montre, ou par le côté B pour une rotation en sens inverse.

La pression sur la gâchette n'est pas possible lorsque le levier de l'inverseur se trouve en position neutre.

ATTENTION :

- Vérifiez toujours le sens de rotation avant de mettre l'outil en marche.
- N'actionnez l'inverseur qu'une fois l'outil complètement arrêté. Si vous changez le sens de rotation de l'outil avant l'arrêt de l'outil, vous risquez de l'endommager.
- Lorsque vous n'utilisez pas l'outil, placez toujours le levier de l'inverseur en position neutre.

ASSEMBLAGE

ATTENTION :

- Assurez-vous toujours que l'outil est hors tension et que la batterie est retirée avant d'effectuer toute intervention sur l'outil.

Installation ou retrait du foret

Desserrez les vis à oreilles qui retiennent le logement. Tirez sur le logement dans le sens de la flèche. (Fig. 7) Poussez la protection anti-poussière vers le logement plat et tirez sur l'embout pour le retirer. Si la protection anti-poussière ne peut pas être déplacée jusqu'au roulement plat, réessayez après avoir tourné l'embout légèrement. Pour installer l'embout, insérez-le dans la douille tout en le tournant légèrement. Après l'installation, tirez toujours sur l'embout pour vous assurer qu'il demeure fermement en place. (Fig. 8)

Installation de la bande de vis

Insérez la bande de vis par le guidage de la vis. Insérez-la ensuite par la boîte d'alimentation jusqu'à ce que la première vis se trouve juste à côté de la position de vissage. (Fig. 9 et 10)

Retrait de la bande de vis

Pour retirer la bande de vis, tirez-la simplement dans le sens de la flèche. Si vous enfoncez le bouton inverseur, vous pourrez retirer la bande de vis en la tirant dans le sens inverse à la flèche. (Fig. 11 et 12)

Pliage du guidage de la vis (Fig. 13)

Le guidage de la vis est pliable. Replier le guidage de la vis permet de réduire l'espace de stockage de l'outil.

Crochet de fixation

L'outil est équipé d'un crochet pratique qui permet de l'accrocher temporairement. Il peut être fixé sur les deux côtés de l'outil. Pour retirer le crochet, écarter-le en poussant ses extrémités droites DE CHAQUE CÔTÉ dans le sens de la flèche (1) et en soulevant dans le sens de la flèche (2). (Fig. 14)

UTILISATION

Vissage (Fig. 15)

Faites démarrer l'outil en appuyant sur la gâchette. Tenez l'outil à angle droit et fermement contre la surface de vissage. Une vis sera automatiquement placée en position de vissage puis vissée.

ATTENTION :

- Avant de procéder au vissage, vérifiez toujours soigneusement l'usure de l'embout. Remplacez l'embout lorsqu'il est usé, autrement la qualité du vissage sera affectée.
- Tenez toujours l'outil à angle droit par rapport à la surface de vissage. En le tenant sur un angle différent vous risqueriez d'endommager les têtes de vis et d'user l'embout. La qualité de vissage risque aussi d'être affectée.
- Maintenez toujours l'outil fermement appuyé contre la surface de vissage jusqu'à la fin du vissage. Autrement les vis risquent d'être mal vissées.

- Prenez garde de visser dans un emplacement où se trouve déjà une autre vis.
- N'utilisez pas l'outil sans y insérer des vis. Cela endommagerait la surface de vissage.
- N'appliquez pas de l'huile ou de la graisse sur la surface de glissement de la boîte d'alimentation.

Vissage en coin (Fig. 16)

Cet outil peut être utilisé pour visser jusqu'à 15 mm d'un mur, tel qu'illustré sur la figure.

ATTENTION :

- En vissant à moins de 15 mm d'un mur ou avec la base du butoir en contact avec le mur vous risquez d'endommager les têtes de vis et d'user l'embout. Cela peut également affecter la qualité du vissage et provoquer un mauvais fonctionnement de l'outil.

ENTRETIEN

ATTENTION :

- Assurez-vous toujours que l'outil est hors tension et que la batterie est retirée avant d'effectuer tout travail d'inspection ou d'entretien.
- N'utilisez jamais d'essence, de benzine, de diluant, d'alcool ou de produit similaire. Ces produits risquent de provoquer des décolorations, des déformations ou des fissures.

Remplacement des charbons (Fig. 17)

Remplacez-les lorsqu'ils atteignent le repère d'usure.

Gardez les charbons propres et assurez-vous qu'ils glissent librement dans les porte-charbons.

Les deux charbons doivent être remplacés en même temps. Utilisez uniquement des charbons identiques. Desserrez les vis à oreilles qui retiennent le logement.

Tirez sur le logement dans le sens de la flèche. (Fig. 18)

Retirez les deux vis à l'aide d'un tournevis puis enlevez le couvercle avant. (Fig. 19)

Soulevez le bras du ressort puis placez-le dans la partie encastrée du carter avec un tournevis à tête fendue et tige mince ou un outil similaire. (Fig. 20)

Utilisez une paire de pinces pour retirer les bouchons des charbons. Enlevez les charbons usés, insérez les neufs et remettez en place les bouchons des charbons. (Fig. 21)

Assurez-vous que les bouchons des charbons se sont correctement insérés dans les orifices des porte-charbons. (Fig. 22)

Remettez en place le couvercle avant et serrez les deux vis fermement.

Pour assurer la SÉCURITÉ et la FIABILITÉ du produit, toute réparation et tout travail d'entretien ou de réglage doivent être effectués par un Centre de service après-vente agréé Makita, avec des pièces de rechange Makita.

ACCESSOIRES FOURNIS EN OPTION

⚠ ATTENTION :

- Ces accessoires ou pièces complémentaires sont recommandés pour être utilisés avec l'outil Makita spécifié dans ce mode d'emploi. L'utilisation de tout autre accessoire ou pièce complémentaire peut comporter un risque de blessure. N'utilisez les

accessoires ou pièces qu'aux fins auxquelles ils ont été conçus.

Pour obtenir plus de détails sur ces accessoires, contactez votre Centre de service local Makita.

- Bande de vis autoforeuses
- Embout cruciforme
- Divers types de batteries et chargeurs de marque Makita.
- Étui en plastique

REMARQUE :

- Certains éléments de la liste peuvent être inclus en tant qu'accessoires standard dans le coffret de l'outil envoyé. Ils peuvent varier suivant les pays.

Bruit

ENG905-1

Les niveaux de bruit pondéré A typiques ont été mesurés selon la norme EN60745 :

Modèle DFR540

Niveau de pression sonore (L_{pA}) : 77 dB (A)

Incertitude (K) : 3 dB (A)

Le niveau de bruit peut dépasser 80dB (A) lors de l'utilisation.

Modèle DFR550

Niveau de pression sonore (L_{pA}) : 78 dB (A)

Incertitude (K) : 3 dB (A)

Le niveau de bruit peut dépasser 80 dB (A) lors de l'utilisation.

Modèle DFR750

Niveau de pression sonore (L_{pA}) : 76 dB (A)

Incertitude (K) : 3 dB (A)

Le niveau de bruit peut dépasser 80 dB (A) lors de l'utilisation.

Portez des protections auditives.

Vibrations

ENG900-1

La valeur totale de vibration (somme du vecteur triaxial) déterminée selon EN60745 :

Mode de fonctionnement : vissage sans impact

Émission des vibrations (a_{h1}) : 2,5 m/s² ou moins

Incertitude (K) : 1,5 m/s²

ENG901-1

- La valeur de l'émission des vibrations déclarée a été mesurée conformément à la méthode de test standard et peut être utilisée afin de comparer des outils entre eux.
- La valeur de l'émission des vibrations déclarée peut également être utilisée lors d'une évaluation préliminaire de l'exposition.

⚠ AVERTISSEMENT :

- Selon la manière dont l'outil est utilisé, il est possible que l'émission des vibrations pendant l'utilisation réelle de l'outil électrique diffère de la valeur de l'émission déclarée.
- Veillez à identifier les mesures de sécurité destinées à protéger l'opérateur et établies en fonction de l'estimation de l'exposition dans les conditions réelles d'utilisation (en prenant en compte toutes les étapes du cycle de fonctionnement, telles que les périodes de mise hors tension de l'outil, les périodes de

fonctionnement au ralenti et les périodes de mise en route).

Pour les pays européens uniquement ENH101-15

Déclaration de conformité CE

Nous, Makita Corporation, en tant que fabricant responsable, déclarons que les machines Makita suivantes :

Nom de la machine : Visseuse Automatique sans Fil
N° de modèle/Type : DFR540, DFR550, DFR750
sont fabriquées en série et

sont conformes aux directives européennes suivantes :

2006/42/CE

et sont produites conformément aux normes ou documents de normalisation suivants :

EN60745

La documentation technique est disponible auprès de notre représentant en Europe qui est :

Makita International Europe Ltd.,
Michigan Drive, Tongwell,
Milton Keynes, Bucks MK15 8JD, Angleterre

30. 01. 2009



Tomoyasu Kato
Directeur

Makita Corporation
3-11-8, Sumiyoshi-cho,
Anjo, Aichi, 446-8502, JAPAN

DEUTSCH (Originalanweisungen)

Erklärung der Gesamtdarstellung

- | | | |
|-----------------------------|---------------------------|-------------------------|
| 1. Roter Bereich | 12. Umschalthebel | 23. Wand |
| 2. Taste | 13. Schraubzwinde | 24. Grenzmarkierung |
| 3. Akkublock | 14. Gleitlager | 25. Vordere Abdeckung |
| 4. Sternmarkierung | 15. Staubschutzmanschette | 26. Schrauben |
| 5. Hebel | 16. Einsatz | 27. Feder |
| 6. Tiefenanschlag | 17. Magazinkammer | 28. Arm |
| 7. Schild auf Magazinkammer | 18. Schraubengurt | 29. Abgestufter Bereich |
| 8. Sichtfenster | 19. Schraubenführung | 30. Kohlebürstenkappe |
| 9. Magazingehäuse | 20. Schraubposition | 31. Loch |
| 10. Einstellrad | 21. Umschalttaste | |
| 11. Auslöseschaltung | 22. Einhängeclip | |

TECHNISCHE DATEN

Modell	DFR540	DFR550	DFR750
Schraubengurt	4 x 25 - 55 mm		4 x 45 - 75 mm
Leerlaufgeschwindigkeit (min ⁻¹)	4.000		
Gesamtlänge	424 mm		464 mm
Nettogewicht	2,0 kg	2,1 kg	2,1 kg
Nennspannung	Gleichspannung 14,4 V	Gleichspannung 18 V	Gleichspannung 18 V

- Aufgrund unserer beständigen Forschungen und Weiterentwicklungen sind Änderungen an den hier angegebenen Technischen Daten ohne Vorankündigung vorbehalten.
- Die Technischen Daten und der Akkublock können in den einzelnen Ländern Abweichungen aufweisen.
- Gewicht, mit Akkublock, ermittelt gemäß EPTA-Verfahren 01/2003

Verwendungszweck ENE033-1
Das Werkzeug wurde für das Schrauben in Holz, Metall und Kunststoff entwickelt.

Allgemeine Sicherheitshinweise für Elektrowerkzeuge

GEA010-1

⚠️ WARNUNG Lesen Sie alle Sicherheitshinweise und Anweisungen sorgfältig durch. Wenn die Hinweise und Anweisungen nicht beachtet werden, besteht die Gefahr eines Stromschlags, Brands und/oder das Risiko von ernsthaften Verletzungen.

Bewahren Sie alle Hinweise und Anweisungen zur späteren Referenz gut auf.

SICHERHEITSHINWEISE ZUM AKKUSCHRAUBER

GEB050-2

1. **Halten Sie das Werkzeug an den isolierten Griffflächen, wenn Sie unter Bedingungen arbeiten, bei denen das Werkzeug verborgene Kabel berühren kann.** Bei Kontakt des Schraubers mit einem stromführenden Kabel wird der Strom an die Metallteile des Elektrowerkzeugs und dadurch an den Bediener weitergeleitet, und der Bediener erleidet einen Stromschlag.
2. **Achten Sie jederzeit auf einen festen Stand. Achten Sie darauf, dass sich niemand unter Ihrem Standort befindet, wenn Sie das Werkzeug an erhöhten Orten verwenden.**

3. **Halten Sie das Werkzeug mit festem Griff.**
4. **Halten Sie Ihre Hände von den beweglichen Teilen fern.**
5. **Berühren Sie kurz nach dem Betrieb weder den Einsatz noch das Werkstück. Diese können extrem heiß sein und zu Verbrennungen führen.**

BEWAHREN SIE DIESE ANWEISUNGEN SORGFÄLTIG AUF.

⚠️ WARNUNG:

Lassen Sie sich **NIE** durch Bequemlichkeit oder (aus fortwährendem Gebrauch gewonnener) Vertrautheit mit dem Werkzeug dazu verleiten, die Sicherheitsregeln für das Werkzeug zu missachten. Bei **MISSBRÄUCLICHER** Verwendung des Werkzeugs oder Missachtung der in dieser Anleitung enthaltenen Sicherheitshinweise kann es zu schweren Verletzungen kommen.

WICHTIGE SICHERHEITSREGELN

ENC007-7

FÜR AKKUBLOCK

1. **Lesen Sie vor der Verwendung des Akkublocks alle Anweisungen und Sicherheitshinweise für das Akkuladegerät (1), den Akku (2) und das Produkt (3), für das der Akku verwendet wird, sorgfältig durch.**
2. **Der Akkublock darf nicht zerlegt werden.**

3. Falls die Betriebsdauer erheblich kürzer wird, beenden Sie den Betrieb umgehend. Andernfalls besteht die Gefahr einer Überhitzung sowie das Risiko möglicher Verbrennungen und sogar einer Explosion.
4. Wenn Elektrolyt in Ihre Augen gerät, waschen Sie diese mit klarem Wasser aus und suchen Sie sofort einen Arzt auf. Andernfalls können Sie Ihre Sehfähigkeit verlieren.
5. Vermeiden Sie einen Kurzschluss des Akkublocks:
 - (1) Die Kontakte dürfen nicht mit leitendem Material in Berührung kommen.
 - (2) Der Akkublock darf nicht in einem Behälter aufbewahrt werden, in dem sich andere metallische Gegenstände wie beispielsweise Nägel, Münzen usw. befinden.
 - (3) Der Akkublock darf weder Feuchtigkeit noch Regen ausgesetzt werden.

Ein Kurzschluss des Akkus kann zu hohem Kriechstrom, Überhitzung, möglichen Verbrennungen und sogar zu einer Zerstörung des Werkzeugs führen.
6. Werkzeug und Akkublock dürfen nicht an Orten aufbewahrt werden, an denen Temperaturen von 50°C oder darüber erreicht werden können.
7. Beschädigte oder verbrauchte Akkus dürfen nicht verbrannt werden. Der Akkublock kann in den Flammen explodieren.
8. Lassen Sie den Akku nicht fallen und vermeiden Sie Schläge gegen den Akku.
9. Verwenden Sie niemals einen beschädigten Akku.

BEWAHREN SIE DIESE ANLEITUNG SORGFÄLTIG AUF.

Tipps für eine maximale Nutzungsdauer von Akkus

1. Laden Sie den Akkublock auf, bevor der Akku vollständig entladen ist.
Sobald Sie eine verringerte Leistung des Werkzeugs bemerken, beenden Sie stets den Betrieb des Werkzeugs und laden Sie den Akkublock auf.
2. Ein voll aufgeladener Akkublock darf niemals erneut geladen werden.
Durch Überladungen wird die Lebensdauer des Akkus verkürzt.
3. Laden Sie den Akkublock bei einer Zimmertemperatur von 10°C bis 40°C auf. Lassen Sie einen heißen Akkublock vor dem Aufladen abkühlen.
4. Laden Sie den Akkublock aller sechs Monate auf, wenn Sie diesen für längere Zeit nicht verwenden.

FUNKTIONSBESCHREIBUNG

ACHTUNG:

- Schalten Sie das Werkzeug stets aus und entfernen Sie den Akkublock, bevor Sie Einstellungen oder eine Funktionsprüfung des Werkzeugs vornehmen.

Einsetzen und Abnehmen des Akkublocks (Abb. 1)

- Schalten Sie das Werkzeug stets aus, bevor Sie den Akkublock einsetzen oder abnehmen.
- Zum Abnehmen des Akkublocks müssen Sie die Taste auf der Vorderseite des Akkublocks schieben und gleichzeitig den Akkublock aus dem Gerät herausziehen.
- Zum Einsetzen des Akkublocks müssen Sie die Zunge des Akkublocks an der Rille im Gehäuse ausrichten und den Akkublock in die gewünschte Position schieben. Setzen Sie den Akkublock unbedingt ganz ein, bis er mit einem Klick einrastet. Wenn Sie den roten Bereich oben auf der Taste sehen können, ist der Akkublock noch nicht ordnungsgemäß eingerastet. Setzen Sie den Akkublock vollständig ein, bis der rote Bereich nicht mehr zu sehen ist. Andernfalls kann der Akkublock versehentlich aus dem Gerät fallen und Sie oder Personen in Ihrem Umfeld verletzen.
- Wenden Sie beim Einsetzen des Akkublocks keine Gewalt an. Wenn der Akkublock nicht leicht hineingleitet, ist er nicht richtig angesetzt.

Akku-Schutzsystem (Lithium-Ionen-Akku ist mit einem Stern gekennzeichnet) (Abb. 2)

Mit einem Stern gekennzeichnete Lithium-Ionen-Akkus verfügen über ein Schutzsystem. Dieses System schaltet die Stromversorgung des Werkzeugs automatisch aus, um die Lebensdauer des Akkus zu verlängern.

Unter folgenden Bedingungen des Werkzeugs und/oder des Akkus kann das Werkzeug während des Betriebs automatisch stoppen:

- Überlastet:
Das Werkzeug wird auf eine Weise betrieben, die zu einer anormal hohen Stromaufnahme führt. Lassen Sie in dieser Situation den Ein/Aus-Schalter des Werkzeugs los und beenden Sie die Arbeiten, die zu der Überlastung des Werkzeugs geführt haben. Betätigen Sie anschließend den Ein/Aus-Schalter wieder, um das Werkzeug wieder in Betrieb zu nehmen.
Wenn das Werkzeug nicht startet, ist der Akku überhitzt. Lassen Sie in dieser Situation den Akku erst abkühlen, bevor Sie wieder den Ein/Aus-Schalter betätigen.
- Spannung des Akkus zu niedrig:
Die noch vorhandene Akkuladung ist zu niedrig, und das Werkzeug startet nicht. Entnehmen Sie in dieser Situation den Akku und laden Sie den Akku wieder auf.

Einstellung des Tiefenanschlags (Abb. 3)

Es gibt 7 verschiedene Raststellungen für den Tiefenanschlag. Zur Einstellung ziehen Sie den Tiefenanschlag heraus und drücken gleichzeitig den Hebel nach unten, bis sich die Nummer mit der gewünschten Schraubenlänge (auf dem Schild an der Magazinkammer angezeigt) im Sichtfenster des Tiefenanschlags befindet. In der folgenden Tabelle ist die Beziehung zwischen dem Einstellwert auf dem Schild an der Magazinkammer und der zugehörigen Schraubenlänge angegeben.

Modelle DFR540, DFR550

Auf dem Schild angegebener Wert	Schraubenlänge
25	25 mm
30	30 mm
35	35 mm
40	40 mm
45	45 mm
50	50 mm
55	55 mm

008238

Modell DFR750

Auf dem Schild angegebener Wert	Schraubenlänge
45	45 mm
50	50 mm
55	55 mm
60	60 mm
65	65 mm
70	70 mm
75	75 mm

008241

Einstellen der Schraubtiefe (Abb. 4)

Drücken Sie den Tiefenanschlag bis zum Anschlag hinunter. Behalten Sie diese Position bei, und drehen Sie das Einstellrad, bis die Spitze des Schraubendrehereinsatzes ca. 5 mm aus dem Tiefenanschlag herausragt. Führen Sie eine Probeverschraubung durch. Falls der Schraubenkopf aus der Oberfläche des Werkstücks herausragt, drehen Sie das Einstellrad in Richtung „A“. Falls der Schraubenkopf zu tief versenkt wird, drehen Sie das Einstellrad in Richtung „B“.

Schalter (Abb. 5)

ACHTUNG:

- Achten Sie vor dem Einsetzen des Akkublocks in das Werkzeug darauf, dass sich der Auslöseschalter korrekt bedienen lässt und beim Loslassen auf die Position „OFF“ (AUS) zurückkehrt.

Betätigen Sie zum Starten des Werkzeugs einfach den Auslöseschalter. Lassen Sie zum Ausschalten des Werkzeugs den Auslöseschalter los.

Bedienung des Umschalters (Abb. 6)

Dieses Werkzeug verfügt über einen Umschalter, mit dem die Drehrichtung geändert werden kann. Für eine Drehbewegung im Uhrzeigersinn muss der Umschalthebel von der Seite A nach unten gedrückt werden, und für eine Drehbewegung gegen den Uhrzeigersinn von der Seite B.

Wenn sich der Umschalthebel in der neutralen Position befindet, kann die Auslöseschaltung nicht gezogen werden.

ACHTUNG:

- Überprüfen Sie vor jedem Betrieb immer die Drehrichtung.

- Der Umschalter darf nur betätigt werden, wenn das Werkzeug ganz angehalten wurde. Wenn Sie die Drehrichtung ändern, solange das Werkzeug noch läuft, kann es beschädigt werden.
- Ist das Werkzeug nicht in Gebrauch, muss der Umschalthebel immer auf die neutrale Position gestellt werden.

MONTAGE

ACHTUNG:

- Schalten Sie das Werkzeug stets aus, und entfernen Sie den Akkublock, bevor Sie Arbeiten am Werkzeug ausführen.

Montage und Demontage des Einsatzes

Lösen Sie die Flügelschrauben, mit denen das Magazingehäuse befestigt ist. Ziehen Sie das Magazingehäuse in Pfeilrichtung ab. (Abb. 7) Drücken Sie die Staubschutzmanschette gegen das Gleitlager, und ziehen Sie den Einsatz heraus. Kann die Staubschutzmanschette nicht bis zum Gleitlager bewegt werden, versuchen Sie es nach leichtem Drehen des Einsatzes erneut. Führen Sie den Einsatz zur Montage unter leichtem Drehen in die Werkzeugaufnahme ein. Überprüfen Sie nach der Montage stets, ob der Einsatz einwandfrei sitzt, indem Sie versuchen, ihn herausziehen. (Abb. 8)

Montage des Schraubengurts

Führen Sie den Schraubengurt durch die Schraubenführung ein. Schieben Sie ihn dann so weit durch die Magazinkammer, bis sich die erste Schraube in Einschraubposition befindet. (Abb. 9 und 10)

Entfernen des Schraubengurts

Ziehen Sie den Schraubengurt zum Entfernen in Pfeilrichtung heraus. Durch Drücken der Umschalttaste kann der Schraubengurt in entgegengesetzter Pfeilrichtung herausgezogen werden. (Abb. 11 und 12)

Zusammenklappen der Schraubenführung (Abb. 13)

Die Schraubenführung kann zusammengeklappt werden. Durch das Zusammenklappen der Schraubenführung kann Platz bei der Aufbewahrung eingespart werden.

Einhängeclip

Der Eihängeclip ist nützlich, wenn Sie das Werkzeug vorübergehend aufhängen möchten. Er kann an jeder Seite des Werkzeugs befestigt werden. Gehen Sie zum Entfernen des Eihängeclips wie folgt vor: Dehnen Sie ihn, indem Sie seine Kanten AN BEIDEN SEITEN in Pfeilrichtung drücken (1) und dann in Pfeilrichtung anheben (2). (Abb. 14)

BETRIEB

Schraubbetrieb (Abb. 15)

Schalten Sie das Werkzeug ein, indem Sie den Auslöseschalter betätigen. Halten Sie das Werkzeug fest und gerade zum Werkstück. Die Schraube wird dann automatisch zur Einschraubposition transportiert und in das Werkstück geschraubt.

ACHTUNG:

- Überprüfen Sie den Einsatz vor dem Schrauben sorgfältig auf Verschleißerscheinungen. Tauschen Sie einen verschlissenen Einsatz aus, da das Ergebnis andernfalls möglicherweise mangelhaft ist.
- Halten Sie das Werkzeug immer gerade zum Werkstück. Wenn Sie es in einem Winkel halten, können die Schraubköpfe beschädigt und der Einsatz abgenutzt werden. Darüber hinaus kann sich durch eine solche Position das Ergebnis verschlechtern.
- Drücken Sie das Werkzeug immer fest gegen das Werkstück, bis der Schraubvorgang abgeschlossen ist. Andernfalls werden die Schrauben möglicherweise nicht fest genug eingedreht.
- Passen Sie auf, dass Sie eine Schraube nicht auf eine bereits befestigte Schraube schrauben.
- Nehmen Sie das Werkzeug nicht ohne eingelegte Schrauben in Betrieb. Dadurch kann das Werkstück beschädigt werden.
- Schmier Sie kein Öl oder sonstige Schmiermittel auf die Gleitfläche der Magazinkammer.

Einschrauben in der Ecke (Abb. 16)

Dieses Werkzeug kann zum Eindrehen von Schrauben an einer Stelle verwendet werden, die sich 15 mm von der Wand befindet – siehe Abbildung.

ACHTUNG:

- Beim Eindrehen von Schrauben in einem Abstand von weniger als 15 mm von der Wand oder wenn der Tiefenanschlag beim Eindrehen die Wand berührt, können die Schraubköpfe beschädigt und der Einsatz abgenutzt werden. Außerdem kann dies zu einer fehlerhaften Halterung der Schrauben und einer Funktionsstörung des Werkzeugs führen.

WARTUNG

ACHTUNG:

- Schalten Sie das Werkzeug stets aus und entfernen Sie den Akkublock, bevor Sie Inspektionen oder Wartungsarbeiten am Werkzeug vornehmen.
- Verwenden Sie zum Reinigen niemals Kraftstoffe, Benzin, Verdünnern, Alkohol oder ähnliches. Dies kann zu Verfärbungen, Verformungen oder Rissen führen.

Ersetzen der Kohlebürsten (Abb. 17)

Ersetzen Sie diese, wenn sie bis zur Verschleißgrenze abgenutzt sind. Halten Sie die Kohlebürsten sauber und sorgen Sie dafür, dass sie locker in den Halterungen liegen.

Beide Kohlebürsten sollten gleichzeitig ersetzt werden. Verwenden Sie nur identische Kohlebürsten.

Lösen Sie die Flügelschrauben, mit denen das Magazingehäuse befestigt ist. Ziehen Sie das Magazingehäuse in Pfeilrichtung ab. **(Abb. 18)**

Entfernen Sie die beiden Schrauben mit einem Schraubendreher, und entfernen Sie dann die vordere Abdeckung. **(Abb. 19)**

Heben Sie den Federarm, und setzen Sie diesen dann mit der schlanken Spitze eines Schlitzschraubendrehers oder einem ähnlichen Gegenstand in den abgestuften Bereich des Gehäuses. **(Abb. 20)**

Entfernen Sie die Kohlebürstenkappen der Kohlebürsten mit einer Zange. Entnehmen Sie die verbrauchten Kohlebürsten, legen Sie die neuen ein und bringen Sie die Kohlebürstenkappen in umgekehrter Reihenfolge wieder an. **(Abb. 21)**

Vergewissern Sie sich, dass die Kohlebürstenkappen fest in den Öffnungen der Bürstenhalter sitzen. **(Abb. 22)** Setzen Sie die vordere Abdeckung wieder ein, und ziehen Sie die beiden Schrauben fest an.

Um die SICHERHEIT und ZUVERLÄSSIGKEIT des Produkts zu gewährleisten, sollten Reparaturen, Wartungsarbeiten und Einstellungen nur durch von Makita autorisierte Servicecenter durchgeführt und immer Makita-Ersatzteile verwendet werden.

SONDERZUBEHÖR

⚠ ACHTUNG:

- Für das in diesem Handbuch beschriebene Makita-Gerät werden die folgenden Zubehör- und Zusatzteile empfohlen. Bei Verwendung anderer Zubehör- und Zusatzteile kann es zu Verletzungen kommen. Verwenden Sie Zubehör- und Zusatzteile nur für den vorgesehenen Zweck.

Informationen zu diesem Zubehör erhalten Sie von Ihrem Makita-Servicecenter.

- Spax-Schraubengurt
- Phillips-Einsatz
- Verschiedene Arten von Makita-Originalakkus und -Ladegeräten
- Plastiktragekoffer

HINWEIS:

- Einige der in der Liste aufgeführten Elemente sind dem Werkzeugpaket als Standardzubehör beigelegt. Diese können in den einzelnen Ländern voneinander abweichen.

Schallpegel

ENG905-1

Typischer A-bewerteter Schallpegel nach EN60745:

Modelle DFR540

Schalldruckpegel (L_{pA}): 77 dB (A)

Abweichung (K): 3 dB (A)

Unter Arbeitsbedingungen kann der Schallpegel 80 dB (A) überschreiten.

Modelle DFR550

Schalldruckpegel (L_{pA}): 78 dB (A)

Abweichung (K): 3 dB (A)

Unter Arbeitsbedingungen kann der Schallpegel 80 dB (A) überschreiten.

Modelle DFR750

Schalldruckpegel (L_{pA}): 76 dB (A)

Abweichung (K): 3 dB (A)

Unter Arbeitsbedingungen kann der Schallpegel 80 dB (A) überschreiten.

Tragen Sie Gehörschutz.

Schwingung

ENG900-1

Schwingungsgesamtwerte (Vektorsumme dreier Achsen) nach EN60745:

Arbeitsmodus: Schrauben ohne Schlag

Schwingungsbelastung (a_{h1}): 2,5 m/s² oder weniger

Abweichung (K): 1,5 m/s²

- Der hier angegebene Wert für die erzeugten Schwingungen wurde gemäß dem genormten Testverfahren ermittelt und kann als Vergleich zu anderen Werkzeugen herangezogen werden.
- Der angegebene Wert für die erzeugten Schwingungen ist außerdem für eine vorbeugende Bewertung der Belastung zu verwenden.

⚠️ WARNUNG:

- Die Schwingungsbelastung kann bei tatsächlichem Gebrauch des Elektrowerkzeugs in Abhängigkeit von der Handhabung des Elektrowerkzeugs von dem hier aufgeführten Wert abweichen.
- Stellen Sie sicher, dass Schutzmaßnahmen für den Bediener getroffen werden, die auf den unter den tatsächlichen Arbeitsbedingungen zu erwartenden Belastungen beruhen (beziehen Sie alle Bestandteile des Arbeitsablaufs ein, also zusätzlich zu den Arbeitszeiten auch Zeiten, in denen das Werkzeug ausgeschaltet ist oder ohne Last läuft).

Nur für europäische Länder

ENH101-15

EG-Konformitätserklärung

Wir, Makita Corporation als verantwortlicher Hersteller, erklären, dass die folgenden Geräte der Marke Makita:

Bezeichnung des Geräts: Akku-Schnellbau-Magazin-Schrauber

Nummer / Typ des Modells: DFR540, DFR550, DFR750 in Serienfertigung hergestellt werden und

den folgenden Richtlinien der Europäischen Union genügen:

2006/42/EG

Außerdem werden die Geräte gemäß den folgenden Standards oder Normen gefertigt:

EN60745

Die technische Dokumentation erfolgt durch unseren Bevollmächtigten in Europa:

Makita International Europe Ltd.,

Michigan Drive, Tongwell,

Milton Keynes, Bucks MK15 8JD, England

30. 1. 2009



Tomoyasu Kato

Direktor

Makita Corporation

3-11-8, Sumiyoshi-cho,

Anjo, Aichi, 446-8502, JAPAN

ITALIANO (Istruzioni originali)

Spiegazione della vista generale

- | | | |
|--------------------------------|--|--|
| 1. Indicatore rosso | 12. Leva di inversione della rotazione | 23. Parete |
| 2. Pulsante | 13. Vite ad alette | 24. Indicatore di limite |
| 3. Batteria | 14. Supporto | 25. Coperchio anteriore |
| 4. Contrassegno a stella | 15. Coperchio antipolvere | 26. Viti |
| 5. Leva | 16. Punta | 27. Molla |
| 6. Fermo | 17. Alimentatore | 28. Braccio |
| 7. Etichetta dell'alimentatore | 18. Nastro delle viti | 29. Parte incavata |
| 8. Finestrella | 19. Guida delle viti | 30. Protezione della spazzola di carbone |
| 9. Involucro | 20. Posizione di avvvitatura | 31. Foro |
| 10. Ghiera di regolazione | 21. Pulsante di inversione | |
| 11. Interruttore | 22. Gancio | |

CARATTERISTICHE TECNICHE

Modello	DFR540	DFR550	DFR750
Nastro delle viti	4 x 25 - 55 mm		4 x 45 - 75 mm
Velocità a vuoto (min ⁻¹)	4.000		
Lunghezza totale	424 m		464 mm
Peso netto	2,0 kg	2,1 kg	2,1 kg
Tensione nominale	14,4 V CC	18 V CC	18 V CC

- Le caratteristiche tecniche riportate di seguito sono soggette a modifiche senza preavviso in virtù del nostro programma continuo di ricerca e sviluppo.
- Le caratteristiche tecniche e le batterie possono differire da paese a paese.
- Peso, comprensivo di batterie, calcolato in base alla Procedura EPTA 01/2003

Uso previsto

ENE033-1

Questo utensile è progettato per l'avvitatura di viti in legno, metallo e plastica.

- Non toccare la punta o il pezzo in lavorazione subito dopo aver utilizzato l'utensile in quanto possono raggiungere temperature elevate e provocare ustioni.**

Avvertenze generali di sicurezza per l'uso dell'utensile

GEA010-1

⚠ AVVERTENZA Leggere attentamente tutte le avvertenze di sicurezza e le istruzioni. La mancata osservanza delle istruzioni e delle avvertenze riportate di seguito potrebbe provocare scosse elettriche, incendi e/o lesioni gravi.

Conservare le avvertenze e le istruzioni per riferimenti futuri.

AVVERTENZE DI SICUREZZA PER L'AVVITATORE SENZA FILI

GEB050-2

- Se vengono eseguite operazioni in cui il dispositivo di fissaggio può toccare fili nascosti, impugnare l'utensile per i punti di presa isolati. Se il dispositivo di fissaggio entra a contatto con un filo percorso da corrente, le parti metalliche esposte dell'utensile si troveranno anch'esse sotto tensione e potrebbero provocare scosse elettriche all'operatore.
- Accertarsi sempre di avere un equilibrio stabile. Controllare che nessuno si trovi sotto all'utensile quando lo si utilizza in posizioni elevate.
- Tenere l'utensile in modo saldo.
- Tenere le mani lontano dalle parti rotanti.

CONSERVARE QUESTE ISTRUZIONI.

⚠ AVVERTENZA:

NON lasciare che la familiarità acquisita con il prodotto (dovuta all'uso ripetuto) provochi l'inosservanza delle norme di sicurezza per il presente prodotto. L'uso improprio o la mancata osservanza delle norme di sicurezza contenute in questo manuale di istruzioni possono provocare infortuni gravi.

ISTRUZIONI IMPORTANTI PER LA SICUREZZA

ENC007-7

RELATIVE ALLA BATTERIA

- Prima di utilizzare la batteria, leggere tutte le istruzioni e gli avvisi di sicurezza relativi a (1) caricabatteria, (2) batteria e (3) prodotto utilizzato con la batteria.
- Non smontare la batteria.
- Se il tempo di funzionamento è diventato eccessivamente breve, non utilizzare l'utensile. Potrebbero verificarsi surriscaldamenti, ustioni o esplosioni.

4. **In caso di contatto dell'elettrolita della batteria con gli occhi, sciacquare con acqua fresca e rivolgersi immediatamente a un medico. Potrebbero verificarsi danni permanenti alla funzionalità visiva.**
5. **Non cortocircuitare la batteria:**
 - (1) **Non toccare i terminali della batteria con materiale in grado di condurre elettricità.**
 - (2) **Evitare di conservare la batteria a contatto con oggetti metallici quali chiodi, monete e così via.**
 - (3) **Non esporre le batterie all'acqua o alla pioggia.**

Un cortocircuito può provocare un elevato flusso di corrente, surriscaldamento, ustioni o rotture.
6. **Non conservare l'utensile e la batteria a una temperatura superiore a 50 °C.**
7. **Evitare di smaltire le batterie danneggiate o esaurite bruciandole. Se esposte al fuoco, le batterie possono esplodere.**
8. **Evitare di far cadere o di colpire la batteria.**
9. **Non utilizzare batterie danneggiate.**

CONSERVARE QUESTE ISTRUZIONI.

Suggerimenti il prolungamento della durata della batteria

1. **Caricare le batterie prima di scaricarle completamente.**
Se si nota una diminuzione di potenza dell'utensile, interrompere il lavoro e ricaricare la batteria.
2. **Non ricaricare una batteria già completamente carica.**
In caso contrario, la durata operativa della batteria potrebbe ridursi.
3. **Caricare la batteria in ambienti con temperatura compresa tra 10 °C e 40 °C. Prima di caricare una batteria surriscaldata, lasciarla raffreddare.**
4. **Caricare la batteria una volta ogni sei mesi se l'utensile rimane inutilizzato per lungo tempo.**

DESCRIZIONE FUNZIONALE

ATTENZIONE:

- Accertarsi sempre che l'arnese sia spento e il pacco batterie sia stato rimosso prima di regolare o controllare le funzioni dell'arnese.

Installazione o rimozione della batteria (Fig. 1)

- Prima di installare o rimuovere la batteria occorre sempre spegnere l'utensile.
- Per rimuovere la batteria è sufficiente estrarla dall'utensile facendo scorrere il pulsante nella parte anteriore della batteria.
- Per installare la batteria, allineare la linguetta sulla batteria con la scanalatura nell'alloggiamento e farla scorrere in posizione. Inserire a fondo la batteria fino a quando si blocca in posizione con uno scatto. Se è visibile l'indicatore rosso sul lato superiore del pulsante significa che la batteria non è completamente inserita.

Inserirla a fondo fino a quando l'indicatore rosso non è più visibile. In caso contrario potrebbe fuoriuscire accidentalmente dall'utensile e provocare danni all'operatore o a eventuali osservatori.

- Non forzare l'inserimento della batteria. Se la batteria non scorre agevolmente significa che la manovra di inserimento non è corretta.

Sistema di protezione della batteria (batteria agli ioni di litio con contrassegno a stella) (Fig. 2)

Le batterie agli ioni di litio con contrassegno a stella sono dotate di una sistema di protezione. Questo sistema interrompe automaticamente l'alimentazione dell'utensile per prolungare la durata della batteria.

L'utensile viene spento automaticamente durante l'uso se l'utensile stesso e/o la batteria vengono utilizzati in una delle condizioni riportate di seguito:

- **Sovraccarico:**
L'utensile viene utilizzato con modalità che provocano un anomalo assorbimento di corrente. In questa situazione occorre rilasciare l'interruttore di accensione dell'utensile e interrompere l'operazione che ha provocato il sovraccarico dell'utensile stesso. Azionare di nuovo l'interruttore di accensione per riavviare l'utensile.
Se l'utensile non sia avvia si è verificato un surriscaldamento della batteria. In questa situazione occorre far raffreddare la batteria prima di azionare nuovamente l'interruttore di accensione.
- **Bassa tensione della batteria:**
La capacità rimanente della batteria è troppo bassa e non consente di utilizzare l'utensile. In questo caso occorre rimuovere e ricaricare la batteria.

Impostazione della lunghezza delle viti (Fig. 3)

Per l'impostazione della lunghezza delle viti sono disponibili 7 tacche di arresto. Per selezionare la lunghezza desiderata, regolare il fermo mantenendo premuta la leva fino a visualizzare sull'etichetta dell'alimentatore nella finestrella del fermo il numero corrispondente alla lunghezza delle viti. La tabella riportata di seguito indica la corrispondenza tra il numero visualizzato sull'etichetta dell'alimentatore e la lunghezza delle viti.

Per i modelli DFR540, DFR550

Numero indicato sull'etichetta	Lunghezza delle viti
25	25 mm
30	30 mm
35	35 mm
40	40 mm
45	45 mm
50	50 mm
55	55 mm

008238

Per il modello DFR750

Numero indicato sull'etichetta	Lunghezza delle viti
45	45 mm
50	50 mm
55	55 mm
60	60 mm
65	65 mm
70	70 mm
75	75 mm

008241

Regolazione della profondità di avvitatura (Fig. 4)

Premere completamente il fermo. Mantenendolo premuto, ruotare la ghiera di regolazione fino a quando la punta della vite fuoriesce dal fermo di circa 5 mm. Avvitare una vite per prova. Se la testa della vite fuoriesce dalla superficie del pezzo in lavorazione, ruotare la ghiera di regolazione nella direzione "A". Se la testa della vite è stata avvitata eccessivamente, ruotare la ghiera di regolazione nella direzione "B".

Azionamento dell'interruttore (Fig. 5)

ATTENZIONE:

- Prima di inserire la batteria nell'utensile, controllare se l'interruttore funziona correttamente e ritorna alla posizione "SPENTO" una volta rilasciato.

Per accendere l'utensile è sufficiente tirare l'interruttore.

Per spegnere l'utensile, rilasciare l'interruttore.

Azionamento della leva di inversione della rotazione (Fig. 6)

Questo utensile è dotato di una leva di inversione che consente di modificare la direzione di rotazione. Premere la leva di inversione dal lato A se si desidera una rotazione in senso orario, dal lato B se si desidera una rotazione in senso antiorario.

Quando la leva di inversione si trova nella posizione centrale è impossibile azionare l'interruttore.

ATTENZIONE:

- Prima di azionare l'utensile, controllare sempre la direzione di rotazione impostata.
- Utilizzare la leva di inversione solo quando l'utensile è completamente fermo. Modificare la direzione di rotazione prima dell'arresto può danneggiare l'utensile.
- Se non si utilizza l'utensile, posizionare sempre la leva di inversione nella posizione centrale.

MONTAGGIO

ATTENZIONE:

- Prima di eseguire qualsiasi operazione sull'utensile, verificare sempre di averlo spento e di aver rimosso la batteria.

Installazione o rimozione della punta

Allentare la vite ad alette che chiude l'involucro. Estrarre l'involucro nella direzione indicata dalla freccia. (Fig. 7) Premere il coperchio antipolvere verso il supporto ed estrarre la punta. Se non si riesce a far scorrere il

coperchio antipolvere fino al supporto, ruotare lievemente la punta e riprovare. Per installare la punta, inserirla nell'alloggiamento ruotandola lievemente. Dopo l'installazione, verificare sempre che la punta rimanga saldamente in posizione, provando ad estrarla. (Fig. 8)

Installazione del nastro delle viti

Inserire il nastro delle viti attraverso la guida. Quindi, inserirlo nell'alimentatore fino a quando la prima vite raggiunge la posizione adiacente a quella di avvitatura. (Fig. 9 e 10)

Rimozione del nastro delle viti

Per rimuovere il nastro delle viti, estrarlo tirandolo nella direzione indicata dalla freccia. Se si preme il pulsante di inversione, è possibile estrarre il nastro delle viti nella direzione opposta a quella indicata dalla freccia. (Fig. 11 e 12)

Piegatura della guida delle viti (Fig. 13)

È possibile ripiegare la guida delle viti. Ripiegando la guida delle viti è possibile risparmiare spazio quando si ripone l'utensile.

Gancio di trasporto

Il gancio è utile per appendere temporaneamente l'utensile. Può essere installato su entrambi i lati dell'utensile. Per rimuovere il gancio di trasporto, allargarlo premendone le estremità SU ENTRAMBI I LATI nella direzione della freccia (1) e sollevarlo nella direzione della freccia (2). (Fig. 14)

FUNZIONAMENTO

Avvitatura (Fig. 15)

Per avviare l'utensile premere l'interruttore. Mantenere l'utensile saldamente in posizione perpendicolare alla superficie in cui eseguire l'avvitatura. La vite verrà trasportata automaticamente nella posizione di avvitatura, quindi verrà avvitata.

ATTENZIONE:

- Prima di utilizzare l'utensile, controllare sempre l'usura della punta. Per evitare un serraggio insufficiente delle viti, sostituire sempre le punte usurate.
- Mantenere sempre l'utensile in posizione perpendicolare rispetto alla superficie. Se la posizione non è perpendicolare la testa della vite può rimanere danneggiata, la punta può usurarsi o il serraggio delle viti può risultare insufficiente.
- Mantenere sempre l'utensile saldamente a contatto della superficie fino al termine dell'avvitatura. In caso contrario, il serraggio delle viti può risultare insufficiente.
- Prestare attenzione a non avvitare una vite in una posizione già occupata da un'altra vite.
- Non azionare l'utensile senza viti. Potrebbe danneggiare la superficie.
- Non applicare olio o grasso sulla superficie scorrevole dell'alimentatore.

Avvitatura in posizione angolata (Fig. 16)

L'utensile può essere utilizzato a una distanza minima di 15 mm dalla parete, come illustrato in figura.

ATTENZIONE:

- Se si utilizza l'utensile a una distanza dalla parete inferiore a 15 mm o se il fermo entra in contatto con la parete, la testa della vite può essere danneggiata e la punta può usurarsi. In questo caso, inoltre, il serraggio delle viti può risultare insufficiente e l'utensile può rimanere danneggiato.

MANUTENZIONE

ATTENZIONE:

- Prima di effettuare controlli o operazioni di manutenzione, verificare sempre di aver spento l'utensile e di aver rimosso la batteria.
- Evitare assolutamente di usare benzina, diluenti, solventi, alcol o sostanze simili. In caso contrario, potrebbero verificarsi scoloriture, deformazioni o incrinature.

Sostituzione delle spazzole di carbone (Fig. 17)

Sostituire le spazzole quando sono consumate fino all'indicatore di limite. Mantenere le spazzole di carbone pulite e libere per farle slittare nei supporti. Entrambe le spazzole di carbone devono essere sostituite contemporaneamente. Utilizzare solo spazzole di carbone identiche.

Allentare la vite ad alette che chiude l'involucro. Estrarre l'involucro nella direzione indicata dalla freccia. (Fig. 18)

Rimuovere le viti che fissano il coperchio anteriore con un cacciavite e asportare il coperchio. (Fig. 19)

Sollevarlo il braccio della molla e collocarlo nella parte incavata dell'alloggiamento utilizzando un cacciavite ad asta sottile con punta a taglio o uno strumento analogo. (Fig. 20)

Utilizzare le pinze per estrarre i coperchi delle spazzole di carbone. Estrarre le spazzole di carbone consumate, inserire le nuove spazzole e collocare nuovamente in posizione i coperchi. (Fig. 21)

Accertarsi di aver inserito correttamente i coperchi nei fori dei portaspazzole. (Fig. 22)

Reinstallare il coperchio anteriore e fissare saldamente le due viti.

Per mantenere la SICUREZZA e l'AFFIDABILITÀ del prodotto, le riparazioni e qualsiasi altra operazione di manutenzione o regolazione devono essere eseguiti dai centri di assistenza autorizzati Makita utilizzando sempre parti di ricambio Makita.

ACCESSORI OPZIONALI

⚠ ATTENZIONE:

- Si consiglia l'uso dei seguenti accessori per l'utensile Makita descritto in questo manuale. L'uso di qualsiasi altro accessorio potrebbe provocare lesioni personali. Utilizzare gli accessori esclusivamente per l'uso dichiarato.

Per l'assistenza e per ulteriori informazioni su tali accessori, rivolgersi al centro assistenza Makita di zona.

- Nastro di viti per parete a secco
- Punta Phillips
- Diversi modelli di batterie e caricabatteria originali Makita
- Valigetta di trasporto di plastica

NOTA:

- Alcuni degli accessori elencati potrebbero essere inclusi nella confezione dell'utensile come accessori standard. Gli accessori standard possono differire da paese a paese.

Rumore

ENG905-1

Il tipico livello di rumore ponderato "A" è determinato in conformità con la norma EN60745:

Modelli DFR540

Livello di pressione sonora (L_{pA}): 77 dB (A)

Variazione (K): 3 dB (A)

Il livello acustico in funzionamento può superare 80 dB (A).

Modelli DFR550

Livello di pressione sonora (L_{pA}): 78 dB (A)

Variazione (K): 3 dB (A)

Il livello acustico in funzionamento può superare 80 dB (A).

Modelli DFR750

Livello di pressione sonora (L_{pA}): 76 dB (A)

Variazione (K): 3 dB (A)

Il livello acustico in funzionamento può superare 80 dB (A).

Indossare una protezione acustica.

Vibrazione

ENG900-1

Il valore totale della vibrazione (somma vettoriale triassiale) è determinato in conformità con la norma EN60745:

Modalità di lavoro: avvitatura senza impatto

Emissione delle vibrazioni (a_{h1}): 2,5 m/s² o inferiore

Variazione (K): 1,5 m/s²

ENG901-1

- Il valore di emissione delle vibrazioni dichiarato è stato misurato in conformità con il metodo di test standard e può essere utilizzato per confrontare tra loro diversi utensili.
- Il valore dell'emissione delle vibrazioni dichiarato può anche essere usato per stime preliminari dell'esposizione.

⚠ AVVERTENZA:

- L'emissione delle vibrazioni durante l'uso effettivo dell'utensile elettrico può risultare diversa rispetto al valore dichiarato, in base alla modalità d'uso dell'utensile.
- Assicurarci di individuare le necessarie misure di sicurezza per proteggere l'operatore in base a una stima dell'esposizione nelle condizioni reali di utilizzo (prendendo in considerazione tutte le fasi del ciclo operativo, come quante volte l'utensile viene spento e i periodi in cui rimane inattivo, oltre al tempo di avviamento).

Solo per i paesi europei

ENH101-15

Dichiarazione di conformità CE

Makita Corporation, in qualità di produttore responsabile, dichiara che gli utensili Makita indicati di seguito:

Denominazione dell'utensile: Avvitatore a batteria con alimentatore automatico

N. modello /Tipo: DFR540, DFR550, DFR750 appartengono a una produzione in serie e

sono conformi alle seguenti direttive europee:

2006/42/EC

Sono inoltre prodotti in conformità con gli standard o i documenti standardizzati riportati di seguito:

EN60745

La documentazione tecnica viene conservata dal rappresentante autorizzato Makita in Europa, ovvero:

Makita International Europe Ltd.,

Michigan Drive, Tongwell,

Milton Keynes, Bucks MK15 8JD, Inghilterra

30. 1. 2009



Tomoyasu Kato
Direttore

Makita Corporation
3-11-8, Sumiyoshi-cho,
Anjo, Aichi, 446-8502, JAPAN

NEDERLANDS (Originele instructies)

Verklaring van algemene gegevens

1. Rode deel	12. Omkeerschakelaarknop	23. Muur
2. Knop	13. Vingerschroef	24. Slijtgrensmarkering
3. Accu	14. Glijlager	25. Voorkap
4. Ster-merkteken	15. Stofafdichting	26. Schroeven
5. Hendel	16. Boor	27. Veer
6. Aanslagvoet	17. Toevoerkop	28. Arm
7. Etiket op de toevoerkop	18. Schroefband	29. Gat
8. Venster	19. Schroefgeleider	30. Koolborstelkap
9. Behuizing	20. Schroefstand	31. Opening
10. Instelwiel	21. Omkeerknop	
11. Aan/uit-schakelaar	22. Haak	

TECHNISCHE GEGEVENS

Model	DFR540	DFR550	DFR750
Schroefband	4 x 25 - 55 mm		4 x 45 - 75 mm
Nullasttoerental (min ⁻¹)	4.000		
Totale lengte	424 m		464 mm
Netto gewicht	2,0 kg	2,1 kg	2,1 kg
Nominale spanning	14,4 V gelijkstroom	18 V gelijkstroom	18 V gelijkstroom

- Als gevolg van ons doorlopende onderzoeks- en ontwikkelingsprogramma, zijn de technische gegevens van dit gereedschap onderhevig aan veranderingen zonder voorafgaande kennisgeving.
- Specificaties en accu's kunnen van land tot land verschillen.
- Gewicht, inclusief de accu, volgens de EPTA-procedure 01/2003


Gebruiksdoelstellingen

ENE033-1

Het gereedschap is bedoeld voor schroeven in hout, metaal en kunststof.

Algemene veiligheidswaarschuwingen voor elektrisch gereedschap

GEA010-1

 **WAARSCHUWING** Lees alle veiligheidswaarschuwingen en alle instructies. Het niet volgen van de waarschuwingen en instructies kan leiden tot elektrische schokken, brand en/of ernstig letsel.

Bewaar alle waarschuwingen en instructies om in de toekomst te kunnen raadplegen.


VEILIGHEIDSWAARSCHUWINGEN SPECIFIEK VOOR EEN ACCUSCHROEFMACHINE

GEB050-2

1. Houd het elektrisch gereedschap vast aan het geïsoleerde oppervlak van de handgrepen wanneer u werkt op plaatsen waar het bevestigingsmateriaal met verborgen bedrading in aanraking kan komen. Wanneer bevestigingsmaterialen in aanraking komen met onder spanning staande draden, zullen de niet-geïsoleerde metalen delen van het gereedschap onder spanning komen te staan zodat de gebruiker een elektrische schok kan krijgen.

2. **Zorg er altijd voor dat u stevig staat. Zorg ervoor dat er niemand zich onder u bevindt wanneer u het gereedschap op een hoge plaats gebruikt.**
3. **Houd het gereedschap stevig vast.**
4. **Houd uw handen uit de buurt van draaiende delen.**
5. **Raak de bit en het werkstuk niet onmiddellijk na gebruik aan. Zij kunnen bijzonder heet zijn en brandwonden op uw huid veroorzaken.**

BEWAAR DEZE INSTRUCTIES

 **WAARSCHUWING:** Laat u NIET misleiden door een vals gevoel van comfort en bekendheid met het gereedschap (na veelvuldig gebruik) en neem alle veiligheidsvoorschriften van het betreffende product altijd strikt in acht. **VERKEERD GEBRUIK** of het niet volgen van de veiligheidsinstructies in deze gebruiksaanwijzing kan leiden tot ernstig persoonlijk letsel.

BELANGRIJKE VEILIGHEIDSINSTRUCTIES

ENC007-7

VOOR ACCU'S

1. Alvorens de accu in gebruik te nemen, leest u eerst alle instructies en waarschuwingsofschriften op (1) de acculader, (2) de accu en (3) het apparaat waarin de accu wordt aangebracht.
2. Haal de accu niet uit elkaar.

3. Als de gebruikstijd aanzienlijk korter is geworden, stopt u onmiddellijk met het gebruik. Anders kan dit leiden tot kans op oververhitting, mogelijke brandwonden en zelfs een explosie.
4. Als de elektrolyt in uw ogen komt, wast u deze uit met schoon water en raadpleegt u onmiddellijk een arts. Dit kan leiden tot verlies van gezichtsvermogen.
5. Sluit de accu niet kort:
 - (1) Raak de accupolen niet aan met enig geleidend materiaal.
 - (2) Bewaar de accu niet op een plaats waar deze in aanraking kan komen met andere metalen voorwerpen, zoals spijkers, munten, enz.
 - (3) Stel de accu niet bloot aan water of regen. Kortsluiting van de accu kan leiden tot een hoge stroomsterkte, oververhitting, mogelijke brandwonden en zelfs een defect.
6. Bewaar het gereedschap en de accu niet op plaatsen waar de temperatuur kan oplopen tot 50 °C of hoger.
7. Werp de accu niet in een vuur, zelfs niet als deze al ernstig beschadigd of helemaal versleten is. De accu kan in een vuur exploderen.
8. Wees voorzichtig dat u de accu niet laat vallen of ergens tegenaan stoot.
9. Gebruik nooit een beschadigde accu.

BEWAAR DEZE INSTRUCTIES.

Tips voor een lange levensduur van de accu

1. Laad de accu op voordat deze volledig leeg is. Wanneer u merkt dat het gereedschap minder vermogen heeft, stopt u met het gebruik ervan en laadt u eerst de accu op.
2. Laad nooit een volledig opgeladen accu op. Te lang opladen verkort de levensduur van de accu.
3. Laad de accu op bij een omgevingstemperatuur van 10 °C tot 40 °C. Laat een warme accu eerst afkoelen voordat u deze oplaadt.
4. Laad de accu ieder half jaar op als u deze gedurende een lange tijd niet gebruikt.

BESCHRIJVING VAN DE FUNCTIES

LET OP:

- Zorg ervoor dat het gereedschap is uitgeschakeld en dat de accu is verwijderd voordat u de werking van het gereedschap aanpast of controleert.

De accu aanbrengen en verwijderen (zie afb. 1)

- Schakel het gereedschap altijd uit voordat u de accu aanbrengt of verwijdert.
- Om de accu te verwijderen verschuift u de knop aan de voorkant van de accu en schuift u tegelijkertijd de accu van het gereedschap af.
- Om de accu aan te brengen lijnt u de lip op de accu uit met de groef in de behuizing en duwt u de accu op zijn plaats. Steek de accu zo ver mogelijk in het

gereedschap tot u een klinkgeluid hoort. Als u het rode deel aan de bovenkant van de knop kunt zien, is de accuadapter niet goed aangebracht. Breng de accuadapter zo ver mogelijk aan tot het rode deel niet meer zichtbaar is. Als u dit niet doet, kan de accu per ongeluk uit het gereedschap vallen en u of anderen in uw omgeving verwonden.

- Oefen geen grote kracht uit bij het aanbrengen van de accu. Als de accu niet gemakkelijk erin kan worden geschoven, wordt deze niet goed aangebracht.

Accubeveiligingssysteem (lithiumionaccu met een ster-merkteken) (zie afb. 2)

Lithiumionaccu's met een ster-merkteken zijn uitgerust met een beveiligingssysteem. Dit systeem schakelt automatisch de voeding naar het gereedschap uit om de levensduur van de accu te verlengen.

Het gereedschap zal tijdens gebruik automatisch stoppen wanneer het gereedschap en/of de accu zich in een van de volgende omstandigheden bevinden:

- Overbelasting:

Het gereedschap wordt gebruikt op een manier die ertoe leidt dat een abnormaal hoge stroomsterkte uit de accu wordt getrokken.

Laat in die situatie de aan/uit-schakelaar van het gereedschap los en stop het gebruik dat ertoe leidde dat het gereedschap overbelast werd. Knijp daarna opnieuw de aan/uit-schakelaar in om het gereedschap weer in te schakelen.

Als het gereedschap niet wordt ingeschakeld, is de accu oververhit. In die situatie laat u de accu eerst afkoelen voordat u opnieuw de aan/uit-schakelaar inknijpt.

- Lage accuspanning:

De resterende acculading is te laag en het gereedschap wordt niet ingeschakeld. Verwijder in die situatie de accu en laad hem op.

Instelling voor gewenste schroeflengte (zie afb. 3)

Er zijn 7 klinkstop-instellingen voor de gewenste schroeflengte. Om de gewenste instelling te kiezen, houdt u de hendel ingedrukt en trekt u aanslagvoet uit tot de gewenste waarde voor de schroeflengte (aangegeven op het etiket op de toevoerkop) zichtbaar is in het venster in de aanslagvoet. Raadpleeg onderstaande tabel voor de relatie tussen de aangegeven waarde op het etiket op de toevoerkop en de bijbehorende schroeflengte.

Voor de modellen DFR540 en DFR550

Waarde aangegeven op het etiket	Schroeflengte
25	25 mm
30	30 mm
35	35 mm
40	40 mm
45	45 mm
50	50 mm
55	55 mm

008238

Waarde aangegeven op het etiket	Schroeflengte
45	45 mm
50	50 mm
55	55 mm
60	60 mm
65	65 mm
70	70 mm
75	75 mm

008241

De schroefdiepte instellen (zie afb. 4)

Druk de aanslagvoet zo ver mogelijk in. Houd hem in deze stand en draai het instelwiel tot de bitpunt ongeveer 5 mm uit de aanslagvoet steekt. Schroef eerst voor de proef. Als de schroefkop uit het oppervlak van het werkstuk steekt, draait u het instelwiel in de richting "A". Als de schroefkop verzonken ligt in het oppervlak van het werkstuk, draait u het instelwiel in de richting "B".

Aan/uit-schakelaar (zie afb. 5)

LET OP:

- Controleer altijd, voordat u de accu in het gereedschap steekt, of de aan/uit-schakelaar op de juiste manier schakelt en weer terugkeert naar de uit-stand nadat deze is losgelaten.

Om het gereedschap in te schakelen, knijpt u gewoon de aan/uit-schakelaar in. Laat de aan/uit-schakelaar los om het gereedschap te stoppen

Werking van de omkeerschakelaar (zie afb. 6)

Dit gereedschap is uitgerust met een omkeerschakelaar waarmee u de draairichting kunt omkeren. Druk op de omkeerschakelaar vanaf kant A voor de draairichting rechtsom, of vanaf kant B voor de draairichting linksom. Wanneer de omkeerschakelaar in de middenstand staat, kunt u de aan/uit-schakelaar niet inknijpen.

LET OP:

- Controleer altijd de draairichting alvorens het gereedschap te gebruiken.
- Gebruik de omkeerschakelaar alleen nadat het gereedschap volledig tot stilstand is gekomen. Als u de draairichting verandert voordat het gereedschap volledig stilstaat, kan het gereedschap worden beschadigd.
- Als u het gereedschap niet gebruikt, zet u de omkeerschakelaar altijd in de middenstand.

ONDERDELEN AANBRENGEN/ VERWIJDEREN

LET OP:

- Controleer altijd of het gereedschap is uitgeschakeld en de accu is verwijderd alvorens enige werkzaamheden aan het gereedschap te verrichten.

Aanbrengen en verwijderen van de boor

Draai de vingerschroeven los waarmee de behuizing is vastgezet. Trek de behuizing eraf in de richting van de pijl (zie afb. 7).

Duw de stofafdichting in de richting van het glijlager en trek het bit eruit. Als de stofafdichting niet helemaal tegen het glijlager kan worden gedrukt, draait u het bit een klein stukje en probeert u het opnieuw. Om het bit aan te brengen, steekt u het in de opening terwijl u het enigszins draait. Controleer na het aanbrengen altijd of het bit stevig in het gereedschap is bevestigd door te proberen het eruit te trekken (zie afb. 8).

Een nieuwe schroefband plaatsen

Steek de nieuwe schroefband door de schroefgeleider. Steek deze vervolgens in de toevoerkop tot de eerste schroef op de plaats naast de schroefstand aankomt (zie afb. 9 en 10).

De schroefband verwijderen

Om de schroefband te verwijderen, trekt u deze gewoon eruit in de richting van de pijl. Als u de omkeerknop indrukt, kunt u de schroefband eruittrekken in de omgekeerde richting van de pijl (zie afb. 11 en 12).

De schroefgeleider wegklappen (zie afb. 13)

De schroefgeleider kan worden weggeklapt. Door de schroefgeleider weg te klappen is een minimale opbergruimte nodig.

Draaghaak

De draaghaak is handig om het gereedschap tijdelijk aan op te hangen. De haak kan aan beide kanten van het gereedschap worden bevestigd. Als u de haak eraf wilt halen, trekt u de lange kant ervan AAN BEIDE ZIJDEN uit elkaar in de richting van pijl (1) en draait u deze in de richting van pijl (2) (zie afb. 14).

BEDIENING

Gebruik als schroevendraaier (zie afb. 15)

Schakel het gereedschap in door de aan/uit-schakelaar in te knijpen. Houd het gereedschap haaks en stevig gedrukt tegen het oppervlak waarin u schroeft. Een schroef wordt automatisch in de schroefstand gebracht en in het oppervlak geschroefd.

LET OP:

- Alvorens te schroeven dient u altijd het bit te controleren op slijtage. Vervang een gesleten bit omdat dit kan leiden tot onvoldoende ingedraaide schroeven.
- Houd het gereedschap altijd haaks op het oppervlak waarin u schroeft. Als u het gereedschap onder een hoek houdt, kan de schroefkop worden beschadigd en het bit slijten. Tevens kan dit leiden tot onvoldoende ingedraaide schroeven.
- Houd het gereedschap altijd stevig gedrukt tegen het oppervlak waarin u schroeft tot het schroeven klaar is. Als u dit niet doet, kan dit leiden tot onvoldoende ingedraaide schroeven.
- Wees voorzichtig dat u niet een schroef draait in een reeds ingedraaide schroef.

- Bedien het gereedschap niet zonder dat er een schroefband is geplaatst. Hierdoor zal het oppervlak waarin u probeert te schroeven worden beschadigd.
- Breng geen olie of vet aan op het glijvlak van de toevoerkep.

In een hoek schroeven (zie afb. 16)

Dit gereedschap kan worden gebruikt voor het schroeven tot 15 mm uit de hoek, zoals aangegeven in de afbeelding.

LET OP:

- Als u op een kortere afstand dan 15 mm uit de hoek schroeft of schroeft terwijl de aanslagvoet de hoek raakt, kan de schroefkop worden beschadigd en het bit slijten. Tevens kan dit leiden tot onvoldoende ingedraaide schroeven en een storing van het gereedschap.

ONDERHOUD

LET OP:

- Zorg er altijd voor dat de machine is uitgeschakeld en de accu is verwijderd, voordat u een inspectie of onderhoud uitvoert.
- Gebruik nooit benzine, wasbenzine, thinner, alcohol, enz. Dit kan leiden tot verkleuren, vervormen of barsten.

De koolborstels vervangen (zie afb. 17)

Vervang deze wanneer ze tot aan de slijtgrensmarkering zijn afgesleten. Houd de koolborstels schoon en zorg ervoor dat ze vrij kunnen bewegen in de houders. Beide koolborstels dienen tegelijkertijd te worden vervangen. Gebruik alleen identieke koolborstels. Draai de vingerschroeven los waarmee de behuizing is vastgezet. Trek de behuizing eraf in de richting van de pijl (zie afb. 18).

Verwijder met behulp van een schroevendraaier de twee schroeven en vervolgens de voorkap (zie afb. 19).

Til de arm van de veer op en plaats deze vervolgens in het verdiepte deel van de behuizing met behulp van een platkopschroevendraaier, een dunne steel, of iets dergelijks (zie afb. 20).

Verwijder de koolborstelkap van de koolborstels met behulp van een tang. Haal de versleten koolborstels eruit, plaats de nieuwe erin, en plaats de koolborstelkappen in omgekeerde volgorde terug (zie afb. 21).

Zorg ervoor dat iedere koolborstelkap goed in de opening in de borstelhouder valt (zie afb. 22).

Plaats de voorkap terug en draai de twee schroeven stevig aan.

Om de VEILIGHEID en BETROUWBAARHEID van het gereedschap te handhaven, dienen alle reparaties, onderhoud en afstellingen te worden uitgevoerd door een erkend Makita-servicecentrum, en altijd met gebruikmaking van originele Makita-ervangingsonderdelen.

VERKRIJGBARE ACCESSOIRES

⚠ LET OP:

- Deze accessoires of hulpstukken worden aanbevolen voor gebruik met het Makita-gereedschap dat in deze gebruiksaanwijzing wordt beschreven. Het gebruik van

andere accessoires of hulpstukken kan gevaar voor persoonlijk letsel opleveren. Gebruik de accessoires of hulpstukken uitsluitend voor de aangegeven gebruiksdoeleinden.

Mocht u meer informatie willen hebben over deze accessoires, dan kunt u contact opnemen met uw plaatselijke Makita-servicecentrum.

- Schroefband voor muurschroeven
- Kruiskopschroevendraaierbit
- Diverse types originele Makita-accu's en acculaders
- Kunststoffen draagdoos

OPMERKING:

- Sommige items op de lijst kunnen zijn inbegrepen in de doos van het gereedschap als standaard toebehoren. Zij kunnen van land tot land verschillen.

Geluid

ENG905-1

Het standaard A-gewogen geluidsniveau zoals vastgesteld conform EN60745:

Modellen DFR540

Geluidsdrukkniveau (L_{pA}): 77 dB (A)
Onzekerheid (K): 3 dB (A)

Het geluidsniveau kan tijdens gebruik hoger worden dan 80 dB (A).

Modellen DFR550

Geluidsdrukkniveau (L_{pA}): 78 dB (A)
Onzekerheid (K): 3 dB (A)

Het geluidsniveau kan tijdens gebruik hoger worden dan 80 dB (A).

Modellen DFR750

Geluidsdrukkniveau (L_{pA}): 76 dB (A)
Onzekerheid (K): 3 dB (A)

Het geluidsniveau kan tijdens gebruik hoger worden dan 80 dB (A).

Draag oorbescherming.

Trilling

ENG900-1

De totale trillingswaarde (triaxiale vectorsom) zoals vastgesteld volgens EN60745:

Gebruikstoepassing: schroeven zonder slag
Trillingsemissie (a_{h1}): 2,5 m/s² of minder
Onzekerheid (K): 1,5 m/s²

ENG901-1

- De opgegeven trillingsemissiewaarde is gemeten volgens de standaardtestmethode en kan worden gebruikt om dit gereedschap te vergelijken met andere gereedschappen.
- De opgegeven trillingsemissiewaarde kan ook worden gebruikt voor een beoordeling vooraf van de blootstelling.

⚠ WAARSCHUWING:

- De trillingsemissie tijdens het gebruik van het elektrisch gereedschap in de praktijk kan verschillen van de opgegeven trillingsemissiewaarde afhankelijk van de manier waarop het gereedschap wordt gebruikt.
- Zorg ervoor dat veiligheidsmaatregelen worden getroffen ter bescherming van de operator die zijn gebaseerd op een schatting van de blootstelling onder praktijkomstandigheden (rekening houdend met alle fasen van de bedrijfscyclus, zoals de tijdsduur

gedurende welke het gereedschap is uitgeschakeld en stationair draait, naast de ingeschakelde tijdsduur).

Alleen voor Europese landen

ENH101-15

EU-verklaring van conformiteit

Wij, Makita Corporation, als de verantwoordelijke fabrikant, verklaren dat de volgende Makita-machine(s):

Aanduiding van de machine: Accuschroefautomaat
Modelnr./Type: DFR540, DFR550, DFR750
in serie is geproduceerd en

Voldoet aan de volgende Europese richtlijnen:
2006/42/EC

En zijn gefabriceerd in overeenstemming met de volgende normen of genormaliseerde documenten:
EN60745

De technische documentatie wordt bewaard door onze erkende vertegenwoordiger in Europa, te weten:

Makita International Europe Ltd.,
Michigan Drive, Tongwell,
Milton Keynes, Bucks MK15 8JD, Engeland

30. 1. 2009



Tomoyasu Kato
Directeur
Makita Corporation
3-11-8, Sumiyoshi-cho,
Anjo, Aichi, 446-8502, JAPAN

ESPAÑOL (Instrucciones originales)

Explicación de los dibujos

- | | | |
|--|--|------------------------------|
| 1. Indicador rojo | 11. Interruptor disparador | 21. Botón de inversión |
| 2. Botón | 12. Palanca del interruptor de inversión | 22. Gancho |
| 3. Cartucho de la batería | 13. Tornillo de mano | 23. Pared |
| 4. Marca de estrella | 14. Cojinete plano | 24. Marca de límite |
| 5. Palanca | 15. Guardapolvo | 25. Cubierta delantera |
| 6. Base de retención | 16. Broca | 26. Tornillos |
| 7. Etiqueta de la caja de alimentación | 17. Caja de alimentación | 27. Muelle |
| 8. Ventana | 18. Cinta de tornillos | 28. Brazo |
| 9. Carcasa | 19. Guía de tornillos | 29. Parte cóncava |
| 10. Rueda de ajuste | 20. Posición de atornillado | 30. Tapa del portaescobillas |
| | | 31. Orificio |

ESPECIFICACIONES

Modelo	DFR540	DFR550	DFR750
Cinta de tornillos	4 x 25 - 55 mm		4 x 45 - 75 mm
Velocidad en vacío (min ⁻¹)	4.000		
Longitud total	424 m		464 mm
Peso neto	2,0 kg	2,1 kg	2,1 kg
Tensión nominal	CC de 14,4 V	CC de 18 V	CC de 18 V

- Debido a nuestro programa continuo de investigación y desarrollo, las especificaciones aquí descritas están sujetas a cambios sin previo aviso.
- Las especificaciones y el cartucho de la batería pueden variar de un país a otro.
- Peso, con el cartucho de la batería, de acuerdo con el procedimiento EPTA 01/2003

Uso previsto

ENE033-1

Esta herramienta está diseñada para atornillar en madera, metal y plástico.

Advertencias de seguridad generales para herramientas eléctricas

GEA010-1

⚠ ADVERTENCIA Lea todas las advertencias de seguridad y todas las instrucciones. La no observancia de las advertencias y las instrucciones puede provocar descargas eléctricas, incendios y/o lesiones graves.

Guarde todas las advertencias e instrucciones para futuras consultas.

ADVERTENCIAS DE SEGURIDAD DEL ATORNILLADOR A BATERÍA

GEB050-2

1. **Sujete la herramienta por las superficies de agarre aisladas al realizar una operación en que la herramienta pueda entrar en contacto con cables ocultos.** Si entra en contacto con un cable con corriente, puede que las piezas metálicas expuestas de la herramienta eléctrica se carguen también de corriente y que el operario reciba una descarga.
2. **Colóquese siempre en una posición bien equilibrada. Si utiliza la herramienta en una ubicación elevada, asegúrese de que nadie se encuentre debajo.**

3. **Sujete con fuerza la herramienta.**

4. **Mantenga las manos alejadas de las partes giratorias.**

5. **No toque la broca ni la pieza de trabajo inmediatamente después de la tarea; pueden estar extremadamente calientes y producir quemaduras en la piel.**

GUARDE ESTAS INSTRUCCIONES.

⚠ ADVERTENCIA:

No deje que la comodidad o la familiaridad con el producto (a base de utilizarlo repetidamente) sustituya la estricta observancia de las normas de seguridad del producto en cuestión. El MAL USO o la no observancia de las normas de seguridad expuestas en este manual de instrucciones pueden ocasionar graves daños corporales.

INSTRUCCIONES DE SEGURIDAD IMPORTANTES

ENC007-7

PARA EL CARTUCHO DE LA BATERÍA

1. **Antes de utilizar el cartucho de la batería, lea todas las instrucciones y referencias de precaución que se encuentran en (1) el cargador de baterías, (2) la batería y (3) el producto que utiliza la batería.**
2. **No desmonte el cartucho de la batería.**

3. Si el tiempo de funcionamiento es excesivamente corto, deje de utilizar la herramienta de inmediato. De lo contrario, existe el riesgo de sobrecalentamiento, quemaduras e incluso explosión.
4. Si se produce contacto ocular con electrolito, enjuáguese los ojos con agua limpia y acuda de urgencia al médico. Corre el riesgo de perder la visión.
5. No cortocircuite el cartucho de la batería:
 - (1) No toque los terminales con material conductor.
 - (2) Evite guardar el cartucho de la batería en un recipiente con otros objetos metálicos, como clavos, monedas, etc.
 - (3) No exponga el cartucho de la batería al agua o a la lluvia.

Un cortocircuito puede provocar un elevado flujo de corriente, sobrecalentamiento, quemaduras o incluso una avería.
6. No almacene la herramienta ni el cartucho de la batería en lugares donde la temperatura supere los 50°C (122°F).
7. No queme el cartucho de la batería aunque esté gravemente dañado o completamente gastado. El cartucho de la batería puede explotar si entra en contacto con fuego.
8. Procure que la batería no sufra golpes ni caídas.
9. No utilice una batería dañada.

GUARDE ESTAS INSTRUCCIONES.

Consejos para conseguir una mayor duración de la batería

1. Cargue la batería antes de que se descargue por completo.

Cuando observe que la herramienta tiene menos potencia, deje de utilizarla y cargue el cartucho de la batería.
2. No recargue nunca un cartucho de batería completamente cargado.

La sobrecarga acorta la vida útil de la batería.
3. Cargue el cartucho de la batería a una temperatura ambiente que oscile entre 10°C y 40°C (50°F - 104°F). Antes de cargar un cartucho de batería caliente, deje que se enfríe.
4. Cargue la batería una vez cada seis meses si no la utiliza durante un período de tiempo prolongado.

DESCRIPCIÓN DEL FUNCIONAMIENTO

PRECAUCIÓN:

- Antes de ajustar o de comprobar la herramienta, asegúrese siempre de que está apagada y de que la batería ha sido extraída.

Instalación o extracción del cartucho de la batería (Fig. 1)

- Apague siempre la herramienta antes de instalar o extraer el cartucho de la batería.

- Para quitar el cartucho de la batería, mantenga pulsado el botón de la parte frontal del cartucho y retírelo.
- Para instalar el cartucho de la batería, alinee la lengüeta situada en el cartucho de la batería con la ranura del alojamiento e insértela. Insértela siempre completamente hasta que quede firmemente sujeta y se bloquee con un clic. Si puede ver el indicador rojo de la zona superior del botón, significa que el cartucho no está completamente bloqueado. Instálole completamente hasta que el indicador rojo quede oculto. De lo contrario, el cartucho puede desprenderse accidentalmente de la herramienta y causar lesiones al operario o a alguna persona que se encuentre cerca.
- No haga fuerza al instalar el cartucho de la batería. Si no se inserta suavemente, significa que no lo está instalando correctamente.

Sistema de protección de la batería (batería de iones de litio con una marca de estrella) (Fig. 2)

Las baterías de iones de litio con una marca de estrella están equipadas con un sistema de protección. Este sistema corta automáticamente la alimentación a la herramienta para ampliar la duración de la batería. La herramienta se detendrá automáticamente durante el funcionamiento si la herramienta y/o la batería se someten a los siguientes estados.

- Sobrecarga:

La herramienta se utiliza de una forma que hace que consuma una cantidad anómalamente alta de corriente. En ese caso, suelte el interruptor disparador de la herramienta y detenga la aplicación que provocaba que la herramienta se sobrecargara. A continuación vuelva a accionar el interruptor disparador para reanudar las operaciones. Si la herramienta no se pone en marcha, la batería se sobrecalienta. En ese caso, deje que la batería se enfríe antes de volver a accionar el interruptor disparador.
- Tensión de la batería baja:

La capacidad restante de la batería es demasiado baja y la herramienta no funcionará. En ese caso, extraiga y recargue la batería.

Ajuste de la longitud de tornillo deseada (Fig. 3)

Hay siete ajustes de longitud de tornillo de bloqueo positivo. Para obtener el ajuste deseado, tire de la base de retención mientras presiona la palanca hasta que el número de la longitud de tornillo deseada (indicada en la etiqueta de la caja de alimentación) parezca reposar en la ventana de la base de retención. Consulte la siguiente tabla para ver la relación entre el número indicado en la etiqueta de la caja de alimentación y los rangos de longitud de tornillo respectivos.

Para los modelos DFR540, DFR550

Número indicado en la etiqueta	Longitud del tornillo
25	25 mm
30	30 mm
35	35 mm
40	40 mm
45	45 mm
50	50 mm
55	55 mm

008238

Para el modelo DFR750

Número indicado en la etiqueta	Longitud del tornillo
45	45 mm
50	50 mm
55	55 mm
60	60 mm
65	65 mm
70	70 mm
75	75 mm

008241

Ajuste de la profundidad del atornillado (Fig. 4)

Presione la base de retención hasta el fondo.

Manteniendo esta posición, gire la rueda de ajuste hasta que la punta de la broca sobresalga unos 5 mm desde la base de retención. Realice un atornillado de prueba. Si la cabeza del tornillo sobresale por encima de la superficie de la pieza de trabajo, gire la rueda de ajuste en la dirección "A"; si la cabeza del tornillo se hunde en sentido contrario, gire la rueda de ajuste en la dirección "B".

Accionamiento del interruptor (Fig. 5)

PRECAUCIÓN:

- Antes de insertar el cartucho de la batería en la herramienta, asegúrese siempre de que el interruptor disparador funciona como es debido y que vuelve a la posición "OFF" (apagado) al soltarlo.

Para poner en marcha la herramienta, simplemente accione el interruptor disparador. Suelte el interruptor disparador para detener la herramienta.

Funcionamiento del interruptor de inversión (Fig. 6)

Esta herramienta está provista de un interruptor de inversión para cambiar la dirección de giro. Apriete la palanca del interruptor de inversión por el lado A para obtener un giro a la derecha o por el lado B para girar a la izquierda.

Cuando la palanca del interruptor de inversión está en la posición neutral, el interruptor disparador no se puede accionar.

PRECAUCIÓN:

- Antes de trabajar, compruebe siempre la dirección del giro.

- Utilice el interruptor de inversión sólo cuando la herramienta se haya detenido por completo, ya que, de lo contrario, la herramienta podría averiarse.
- Cuando no utilice la herramienta, coloque siempre la palanca del interruptor de inversión en la posición neutral.

MONTAJE

PRECAUCIÓN:

- Asegúrese siempre de apagar la herramienta y extraer el cartucho de la batería antes de intentar realizar cualquier tipo de operación en la herramienta.

Instalación o extracción de la broca

Aloje los tornillos de mano que aseguran la carcasa. Tire de la carcasa en la dirección de la flecha. (Fig. 7) Presione el guardapolvo hacia el cojinete plano y tire de la broca. Si no puede mover el guardapolvo hasta el cojinete plano, gire la broca ligeramente y vuelva a intentarlo. Para instalar la broca, insértela en el zócalo mientras la gira ligeramente. Después de la instalación, asegúrese siempre de que la broca esté bien sujeta en su lugar; para ello, intente sacarla. (Fig. 8)

Instalación de la cinta de tornillos

Inserte la cinta de tornillos a través de la guía de tornillos. A continuación, inserte la caja de alimentación hasta que el primer tornillo alcance la posición junto a la posición de atornillado. (Fig. 9 y 10)

Extracción de la cinta de tornillos

Para extraer la cinta de tornillos, simplemente tire en la dirección de la flecha. Si presiona el botón de inversión, puede tirar de la cinta de tornillos en dirección contraria a la flecha. (Fig. 11 y 12)

Plegado de la guía de tornillos (Fig. 13)

La guía de tornillos es plegable. Al plegar la guía de tornillos se utiliza el mínimo espacio para el almacenamiento.

Gancho de transporte

El gancho de transporte es útil para colgar la herramienta. Puede instalarse en cualquier lado de la herramienta. Cuando extraiga el gancho de transporte, presione los extremos derechos EN AMBOS LADOS en la dirección de la flecha (1) y elévelo en la dirección de la flecha (2). (Fig. 14)

MANEJO

Operación de atornillado (Fig. 15)

Tire del interruptor disparador para encender la herramienta. Mantenga la herramienta firmemente y de forma perpendicular a la superficie de atornillado. Un tornillo se colocará automáticamente en la posición de atornillado y se apretará.

PRECAUCIÓN:

- Compruebe siempre la broca para ver si está desgastada antes de atornillar. Sustituya las brocas desgastadas para evitar un apriete insuficiente.
- Sujete siempre la herramienta de forma perpendicular a la superficie de atornillado. Si la sujeta formando un

- ángulo podría dañar las cabezas de los tornillos y desgastar la broca. Esto también puede provocar un apriete insuficiente.
- Sujete siempre la herramienta firmemente contra la superficie de atornillado hasta que termine de atornillar. De lo contrario, podría provocar un apriete insuficiente de los tornillos.
 - Tenga cuidado de no atornillar un tornillo sobre otro que ya esté apretado.
 - No utilice la herramienta sin tornillos. Se dañará la superficie de atornillado.
 - No aplique aceite o grasa sobre la superficie de deslizamiento de la caja de alimentación.

Atornillado en esquinas (Fig. 16)

Esta herramienta puede utilizarse para atornillar en una posición a 15 mm de la pared, tal y como se muestra en la figura.

PRECAUCIÓN:

- Si atornilla en una posición inferior a 15 mm de la pared o si atornilla con la base de retención en contacto con la pared, podría dañar las cabezas de los tornillos y desgastar la broca. Esto también podría provocar un apriete insuficiente de los tornillos y anomalías en la herramienta.

MANTENIMIENTO

PRECAUCIÓN:

- Asegúrese de apagar siempre la herramienta y extraer el cartucho de la batería antes de intentar realizar cualquier trabajo de inspección o mantenimiento en ella.
- Nunca utilice gasolina, benceno, disolvente, alcohol o un producto similar. Se puede provocar una decoloración, una deformación o grietas.

Reemplazo de las escobillas de carbón (Fig. 17)

Reemplácelas cuando se gasten hasta la marca de límite. Mantenga las escobillas de carbón limpias y de forma que entren libremente en los portaescobillas.

Ambas escobillas de carbón deberán ser reemplazadas al mismo tiempo. Utilice únicamente escobillas de carbón idénticas.

Afloje los tornillos de mano que aseguran la carcasa. Tire de la carcasa en la dirección de la flecha. (Fig. 18)

Utilice un destornillador para extraer los dos tornillos y, a continuación, quite la cubierta delantera. (Fig. 19)

Levante el brazo del muelle y colóquelo en la parte cóncava del alojamiento con la ayuda de un destornillador fino para tornillos de cabeza ranurada o una herramienta similar. (Fig. 20)

Utilice unos alicates para extraer las tapas de las escobillas de carbón. Saque las escobillas de carbón desgastadas, inserte las nuevas y vuelva a colocar las tapas de los portaescobillas al revés. (Fig. 21)

Asegúrese de que las tapas de los portaescobillas queden perfectamente ajustadas en los orificios de los portaescobillas. (Fig. 22)

Vuelva a instalar la cubierta delantera y apriete los dos tornillos.

Para conservar la SEGURIDAD y la FIABILIDAD del producto, los trabajos de reparación y otros trabajos de

mantenimiento y ajuste deberán ser realizados en centros de servicio autorizados de Makita, utilizando siempre repuestos Makita.

ACCESORIOS OPCIONALES

⚠ PRECAUCIÓN:

- Se recomienda el uso de estos accesorios o complementos con la herramienta Makita especificada en este manual. El uso de otros accesorios o complementos puede conllevar el riesgo de ocasionar daños corporales. Utilice los accesorios o complementos solamente para su fin establecido.

Si necesita cualquier ayuda para obtener más información relativa a estos accesorios, pregunte a su centro de servicio Makita local.

- Cinta de tornillos para yeso
- Broca Phillips
- Diversos tipos de baterías y cargadores originales de Makita
- Maletín de plástico para el transporte

NOTA:

- Algunos elementos de la lista se pueden incluir en el paquete de la herramienta como accesorios estándar. Pueden ser diferentes de un país a otro.

Ruido

ENG905-1

Nivel de ruido típico de ponderación A establecido según EN60745:

Modelos DFR540

Nivel de presión de sonido (L_{pA}): 77 dB (A)

Incertidumbre (K): 3 dB (A)

El nivel de ruido durante el trabajo puede superar los 80 dB (A).

Modelos DFR550

Nivel de presión de sonido (L_{pA}): 78 dB (A)

Incertidumbre (K): 3 dB (A)

El nivel de ruido durante el trabajo puede superar los 80 dB (A).

Modelos DFR750

Nivel de presión de sonido (L_{pA}): 76 dB (A)

Incertidumbre (K): 3 dB (A)

El nivel de ruido durante el trabajo puede superar los 80 dB (A).

Utilice protección para los oídos.

Vibración

ENG900-1

Valor total de la vibración (suma de vectores triaxiales) determinada según el estándar EN60745:

Modo de trabajo: atornillado sin impacto

Emisión de vibraciones (a_{h1}): 2,5 m/s² o menos

Incertidumbre (K): 1,5 m/s²

ENG901-1

- El valor de emisión de vibraciones se ha medido de acuerdo con el método de prueba estándar y se puede utilizar para comparar herramientas.
- El valor de emisión de vibraciones declarado también se puede usar en una evaluación preliminar de la exposición.

⚠️ ADVERTENCIA:

- La emisión de vibraciones durante el uso de la herramienta eléctrica puede diferir del valor de emisiones declarado, dependiendo de las formas en que se utiliza la herramienta.
- Asegúrese de identificar las mediciones correctas para proteger al operario, que se basan en una estimación de la exposición en condiciones de uso reales (teniendo en cuenta todas las partes del ciclo de operaciones, como los momentos en los que la herramienta está apagada y cuando funciona al ralentí además del tiempo en que está activado el interruptor).

Sólo para los países europeos ENH101-15

Declaración de conformidad de la CE

Nosotros, Makita Corporation, en calidad de fabricante responsable, declaramos que las siguientes máquinas Makita:

Designación de la máquina: Atornillador Autoalimentado Inalámbrico

Nº de modelo/ Tipo: DFR540, DFR550, DFR750

son de producción serie y

Cumplen con las siguientes Directivas europeas:

2006/42/CE

Y se han fabricado de acuerdo con los siguientes

estándares o documentos estandarizados:

EN60745

La documentación técnica la conserva nuestro representante autorizado en Europa, que es:

Makita International Europe Ltd.,

Michigan Drive, Tongwell,

Milton Keynes, Bucks MK15 8JD, Inglaterra

30. 1. 2009



Tomoyasu Kato

Director

Makita Corporation

3-11-8, Sumiyoshi-cho,

Anjo, Aichi, 446-8502, JAPAN

PORTUGUÊS (Instruções de origem)

Descrição geral

- | | | |
|-------------------------------------|------------------------------------|-------------------------------|
| 1. Indicador vermelho | 12. Manipulo de mudança de rotação | 23. Parede |
| 2. Botão | 13. Parafuso de polegar | 24. Marca limite |
| 3. Bateria | 14. Plano de apoio | 25. Tampa dianteira |
| 4. Marca de estrela | 15. Protecção para o pó | 26. Parafusos |
| 5. Alavanca | 16. Broca | 27. Mola |
| 6. Base do batente | 17. Caixa do alimentador | 28. Braço |
| 7. Etiqueta na caixa do alimentador | 18. Faixa do parafuso | 29. Interior |
| 8. Janela | 19. Guia do parafuso | 30. Tampa da escova de carvão |
| 9. Caixa | 20. Posição de aplicação | 31. Orifício |
| 10. Manipulo de ajuste | 21. Botão de inversão | |
| 11. Gatilho | 22. Gancho | |

ESPECIFICAÇÕES

Modelo	DFR540	DFR550	DFR750
Faixa do parafuso	4 x 25 - 55 mm		4 x 45 - 75 mm
Sem velocidade de rotação em carga (mín. ⁻¹)	4.000		
Comprimento total	424 m		464 mm
Peso líquido	2,0 kg	2,1 kg	2,1 kg
Voltagem nominal	CC 14,4 V	CC 18 V	CC 18 V

- Devido à pesquisa e desenvolvimento constantes, estas especificações estão sujeitas a alteração sem aviso prévio.
- As especificações e o cartucho da bateria podem ser diferentes consoante o país.
- Peso, com a bateria, de acordo com o procedimento EPTA de 01/2003

Utilização prevista ENE033-1

A ferramenta destina-se a aparafusar em madeira, metal e plástico.

Avisos gerais de segurança para ferramentas eléctricas GEA010-1

⚠ AVISO Leia todos os avisos de segurança e todas as instruções. O não cumprimento dos avisos e instruções pode resultar na ocorrência de choques eléctricos, incêndios e/ou ferimentos graves.

Guarde todos os avisos e instruções para referência futura.

AVISOS DE SEGURANÇA DA APARAFUSADORA SEM FIOS GEB050-2

1. **Segure na ferramenta eléctrica pelas superfícies de aderência isoladas quando efectuar uma operação em que possa entrar em contacto com cablagens não visíveis.** Se a aparafusadora entrar em contacto com um cabo sob tensão, as partes metálicas expostas da ferramenta eléctrica podem ficar igualmente sob tensão, podendo provocar um choque eléctrico no operador.
2. **Procure uma posição em pé estável e firme.** Se utilizar a ferramenta em locais altos, verifique se não há ninguém por baixo.
3. **Segure bem na ferramenta.**
4. **Afastes as mãos das peças em movimento.**

5. **Não toque numa broca ou no material em que tiver estado a trabalhar logo após a operação porque podem estar demasiado quentes.**

GUARDE ESTAS INSTRUÇÕES.

⚠ AVISO:
NÃO deixe que o conforto ou familiaridade com o produto (obtida de uma utilização regular) substituam um cumprimento severo das regras de segurança do produto em causa. Uma **UTILIZAÇÃO INCORRECTA** ou não cumprimento das regras de segurança indicadas neste manual de instruções podem provocar ferimentos pessoais sérios.

INSTRUÇÕES DE SEGURANÇA IMPORTANTES ENC007-7

RELATIVAS À BATERIA

1. **Antes de utilizar a bateria, leia as instruções e chamadas de atenção de: (1) o carregador da bateria, (2) a bateria e (3) o produto que utiliza a bateria.**
2. **Não desmonte a bateria.**
3. **Se o tempo de utilização com a bateria se tornar demasiado curto, deve parar imediatamente.** Se continuar, pode causar sobreaquecimento, incêndio e mesmo explosão.
4. **Se o electrólito entrar em contacto com os olhos, enxague-os com água limpa e consulte imediatamente um médico.** Os riscos incluem perda de visão.

5. **Não provoque um curto-circuito na bateria:**
 - (1) Não deixe que quaisquer materiais condutores entrem em contacto com os terminais da bateria.
 - (2) Evite guardar a bateria juntamente com outros objectos de metal como pregos, moedas, etc.
 - (3) Não exponha a bateria a água ou chuva. Um curto-circuito na bateria pode criar uma grande carga eléctrica, sobreaquecimento, fogo e uma quebra da corrente.
6. Não guarde a ferramenta e a bateria em locais onde a temperatura possa atingir ou exceder 50°C (122°F).
7. Não incinere a bateria, nem mesmo se esta estiver irremediavelmente danificada ou completamente gasta. Pode explodir e causar um incêndio.
8. Não a deixe cair e evite o choque com outros objectos.
9. Não utilize uma bateria danificada.

GUARDE ESTAS INSTRUÇÕES.

Sugestões para o máximo de tempo de vida da bateria

1. Não espere que a bateria se gaste completamente para voltar a carregá-la. Pare a ferramenta e carregue a bateria sempre que detectar um baixo nível de energia.
2. Nunca volte a carregar uma bateria já completamente carregada. O carregamento excessivo diminui o tempo de vida das baterias.
3. Carregue a bateria em locais onde a temperatura se situe entre 10°C e 40°C (50°F - 104°F). Se a bateria estiver quente, deixe-a arrefecer antes de iniciar o carregamento.
4. Carregue a bateria uma vez a cada seis meses se não a utilizar durante um longo período.

DESCRIÇÃO DO FUNCIONAMENTO

PRECAUÇÃO:

- Certifique-se sempre de que a ferramenta está desligada e a bateria foi removida antes de proceder a ajustamentos ou testar acessórios.

Inserir ou retirar a bateria (Fig. 1)

- Desligue sempre a ferramenta antes de instalar ou retirar a bateria.
- Para retirar a bateria, mantenha premido o botão na frente da bateria e puxe.
- Para colocar a bateria, alinhe a respectiva saliência com a calha do compartimento e encaixe-a suavemente. Insira-a completamente até fixar em posição com um clique. Se ainda estiver visível o indicador vermelho na parte superior do botão, não estará bem encaixada. Coloque-a completamente, até deixar de ver o indicador vermelho. Caso contrário, pode cair da ferramenta e causar ferimentos em si, ou em alguém que esteja perto de si.

- Não exerça força ao colocar a bateria. Se não encaixar facilmente é porque não está correctamente posicionada.

Sistema de protecção da bateria (Bateria de íões de lítio com uma marca de estrela) (Fig. 2)

As baterias de íões de lítio com uma marca de estrela estão equipadas com um sistema de protecção. Este sistema corta automaticamente a alimentação para prolongar a vida útil da bateria.

A ferramenta pára automaticamente durante o funcionamento quando a ferramenta e/ou bateria são colocadas numa das condições seguintes:

- Sobrecarregada:
 - A ferramenta é utilizada de tal forma que atrai uma corrente involuntariamente alta. Nesta situação, solte o gatilho da ferramenta e pare a aplicação que causou a sobrecarga. De seguida, prima novamente o gatilho para reiniciar. Se a ferramenta não ligar, a bateria está sobreaquecida. Nesta situação, deixe a bateria arrefecer antes de premir novamente o gatilho.
- Tensão baixa da bateria:
 - A carga restante da bateria é demasiado baixa e a ferramenta não funciona. Nesta situação, retire e recarregue a bateria.

Definição para o comprimento de parafuso pretendido (Fig. 3)

Existem sete definições de comprimento do parafuso com bloqueio positivo. Para obter a definição pretendida, retire a base do batente enquanto pressiona a alavanca até que veja o número do comprimento de parafuso pretendido (indicado na etiqueta na caixa do alimentador) parecer ficar apoiado na janela da base do batente. Consulte a tabela em baixo para conhecer a relação entre o número indicado na etiqueta na caixa do alimentador e o respectivo comprimento do parafuso.

Para os modelos DFR540, DFR550

Número indicado na etiqueta	Comprimento do parafuso
25	25 mm
30	30 mm
35	35 mm
40	40 mm
45	45 mm
50	50 mm
55	55 mm

008238

Para o modelo DFR750

Número indicado na etiqueta	Comprimento do parafuso
45	45 mm
50	50 mm
55	55 mm
60	60 mm
65	65 mm
70	70 mm
75	75 mm

008241

Ajustar a profundidade de aparafusamento (Fig. 4)

Pressione a base do batente até ao máximo. Enquanto a mantém nesta posição, rode o manípulo de ajuste até que a ponta da broca fique saliente cerca de 5 mm da base do batente. Aparafuse um parafuso de ensaio. Se a cabeça do parafuso ficar saliente acima da superfície da peça de trabalho, rode o manípulo de ajuste na direcção "A"; se a cabeça do parafuso for escariada, rode o manípulo de ajuste na direcção "B".

O gatilho/interruptor (Fig. 5)

PRECAUÇÃO:

- Antes de inserir a pilha na ferramenta, verifique se o gatilho está a funcionar correctamente e se volta à posição "OFF" quando o solta.

Para colocar a ferramenta em funcionamento prima o gatilho. Para parar a ferramenta, solte o gatilho.

Inverter a direcção da rotação (Fig. 6)

Esta ferramenta tem um interruptor que permite inverter a direcção da rotação. Rode o interruptor a partir da posição A no sentido dos ponteiros do relógio, ou a partir da posição B no sentido contrário ao dos ponteiros do relógio.

Se o interruptor estiver na posição neutra, o gatilho não poderá ser premido.

PRECAUÇÃO:

- Verifique sempre a direcção da rotação antes da operação.
- Este interruptor deve ser utilizado apenas quando a ferramenta estiver completamente parada. Se alterar a direcção da rotação antes da ferramenta ter parado pode avariá-la.
- Quando a ferramenta não estiver a funcionar coloque o interruptor na posição neutra.

MONTAGEM

PRECAUÇÃO:

- Certifique-se sempre de que a ferramenta está desligada e a bateria removida, antes de efectuar qualquer operação com acessórios.

Instalar ou remover a ponta

Desaperte os parafusos de polegar que fixam a caixa.

Puxe a caixa na direcção da seta. (Fig. 7)

Prima a tampa do pó na direcção do plano de apoio e puxe a broca. Se a tampa do pó não puder ser movida

para a mesma distância do plano de apoio, tente novamente após rodar ligeiramente a broca. Para instalar a broca, introduza-a na tomada enquanto a roda ligeiramente. Após instalar, certifique-se sempre de que a broca está bem fixa, tentando puxá-la para fora. (Fig. 8)

Instalar a faixa do parafuso

Introduza a faixa do parafuso pelo guia de parafuso. De seguida, introduza-a pela caixa do alimentador até que o primeiro parafuso atinja a posição ao lado da posição de aparafusamento. (Fig. 9 e 10)

Remover a faixa do parafuso

Para remover a faixa do parafuso, basta puxá-la na direcção da seta. Se pressionar o botão de inversão, pode retirar a faixa do parafuso na direcção inversa da seta. (Fig. 11 e 12)

Dobrar a guia do parafuso (Fig. 13)

É possível dobrar a guia do parafuso. A dobragem da guia permite diminuir o espaço utilizado para armazenamento.

Gancho de transporte

O gancho de transporte é muito útil para pendurar a ferramenta quando necessário. Pode ser instalado de qualquer dos lados da ferramenta. Quando remover o gancho de transporte, alargue-o premindo as extremidades rectas EM AMBOS OS LADOS nas direcções da seta (1) e levante-o na direcção da seta (2). (Fig. 14)

FUNCIONAMENTO

Operação de aparafusamento (Fig. 15)

Ligue a ferramenta puxando o gatilho. Segure na ferramenta com firmeza contra a superfície de aparafusamento. O parafuso será automaticamente levado para a posição de aparafusamento e aparafusado.

PRECAUÇÃO:

- Verifique sempre se a broca está desgastada, antes das operações de aparafusamento. Substitua uma ponta desgastada, caso contrário poderá ocorrer um aparafusamento incorrecto.
- Segure sempre a ferramenta com firmeza contra a superfície de aparafusamento. Segurar inclinado poderá danificar as cabeças dos parafusos e desgastar a broca. Isto poderá igualmente provocar um aparafusamento incorrecto.
- Mantenha sempre a ferramenta firmemente contra a superfície de aparafusamento até que termine de aparafusar. Se não o fizer, os parafusos poderão não ficar correctamente aparafusados.
- Tenha cuidado para não aparafusar um parafuso noutra já aparafusado.
- Não utilize a ferramenta sem parafusos. Irá danificar a superfície de aparafusamento.
- Não aplique óleo ou lubrificante na superfície deslizante da caixa do alimentador.

Aparafusar em cantos (Fig. 16)

Esta ferramenta pode ser utilizada para perfurar numa posição 15 mm afastada da parede, tal como apresentado na figura.

PRECAUÇÃO:

- Aparafusar numa posição mais próxima do que 15 mm da parede ou aparafusar com a base do batente em contacto com a parede danificará as cabeças do parafuso e desgastará a broca. Isto poderá igualmente provocar um aparafusamento incorrecto dos parafusos e avaria da ferramenta.

MANUTENÇÃO

PRECAUÇÃO:

- Certifique-se sempre de que a ferramenta está desligada e a bateria removida antes de efectuar operações de inspecção ou de manutenção.
- Nunca utilize gasolina, benzina, diluente, álcool ou semelhante. Podem formar-se descolorações, deformações ou fissuras.

Substituir as escovas de carvão (Fig. 17)

Substitua-as quando o desgaste atingir a marca limite. Mantenha-as limpas e soltas para poderem deslizar nos suportes.

Substitua as duas ao mesmo tempo. As escovas de um mesmo par utilizado devem ser idênticas.

Desaperte os parafusos de polegar que fixam a caixa.

Puxe a caixa na direcção da seta. (Fig. 18)

Utilize uma chave de parafusos para remover os dois parafusos e retire a tampa dianteira. (Fig. 19)

Levante o braço da mola e coloque-o na parte interior do corpo da ferramenta com a ajuda de um objecto comprido e delgado. (Fig. 20)

Utilize pinças para retirar as capas de carvão. Retire as escovas usadas, coloque umas novas e volte a colocar as tampas dos suportes seguindo o procedimento inverso.

(Fig. 21)

Certifique-se de que as capas se adaptaram perfeita e firmemente nos orifícios dos suportes. (Fig. 22)

Volte a colocar a tampa dianteira e aperte bem os parafusos.

Para manter os níveis de SEGURANÇA e FIABILIDADE definidos para este produto, reparações, operações de manutenção ou ajustes devem ser executados por centros de assistência Makita autorizados e, no caso de substituição de peças, estas devem ser igualmente Makita.

ACESSÓRIOS OPCIONAIS

⚠️ PRECAUÇÃO:

- Os seguintes acessórios ou extensões são os recomendados para utilizar com a ferramenta Makita especificada neste manual. A utilização de quaisquer outros acessórios poderá representar um risco de ferimento para as pessoas. Apenas utilize o acessório para o fim indicado.

Se precisar de informações adicionais relativas aos acessórios, contacte o centro local de assistência Makita.

- Faixa de parafusos para paredes de estuque
- Broca Phillips
- Vários tipos de baterias e carregadores Makita genuínos.
- Saco de transporte de plástico

NOTA:

- Alguns itens na lista podem estar incluídos no pacote de ferramentas como acessórios de série. Podem diferir de país para país.

Ruído

ENG905-1

Os níveis acústicos ponderados A típicos foram determinados segundo a EN60745:

Modelos DFR540

Nível de pressão sonora (L_{pA}): 77 dB (A)

Imprecisão (K): 3 dB (A)

O nível de ruído quando em funcionamento pode exceder os 80 dB (A).

Modelos DFR550

Nível de pressão sonora (L_{pA}): 78 dB (A)

Imprecisão (K): 3 dB (A)

O nível de ruído quando em funcionamento pode exceder os 80 dB (A).

Modelos DFR750

Nível de pressão sonora (L_{pA}): 76 dB (A)

Imprecisão (K): 3 dB (A)

O nível de ruído quando em funcionamento pode exceder os 80 dB (A).

Use protecção para os ouvidos.

Vibração

ENG900-1

O valor total da vibração (soma triaxial de vectores) foi determinado segundo a EN60745:

Modo de trabalho: aparafusamento sem percussão

Emissão de vibração (a_{h1}): 2,5 m/s² ou menos

Imprecisão (K): 1,5 m/s²

ENG901-1

- O valor da emissão de vibração declarado foi medido de acordo com o método de teste padrão e pode ser utilizado para comparar uma ferramenta com outra.
- O valor da emissão de vibração declarado pode também ser utilizado numa avaliação preliminar de exposição.

⚠️ AVISO:

- A emissão de vibração durante a utilização real da ferramenta eléctrica pode ser diferente do valor de emissão declarado, dependendo da forma como a ferramenta é utilizada.
- Certifique-se de que identifica medidas de segurança, para proteger o operador, que são baseadas numa estimativa de exposição nas condições reais de utilização (tendo em conta todas as partes do ciclo de funcionamento, como as vezes que a ferramenta é desligada e quando está a trabalhar ao ralenti, além do tempo de utilização).

Apenas para os países europeus

ENH101-15

Declaração de conformidade CE

A Makita Corporation, na qualidade do fabricante responsável, declara que a(s) máquina(s) Makita seguinte(s):

Designação da máquina: Parafusadeira de

Autoalimentação a Bateria

N.º de modelo/Tipo: DFR540, DFR550, DFR750

são produzidas em série e

estão em conformidade com as Directivas Europeias seguintes:

2006/42/EC

E são fabricadas de acordo com as normas ou os documentos padronizados seguintes:

EN60745

A documentação técnica é mantida pelo nosso representante autorizado na Europa, que é:

Makita International Europe Ltd.,

Michigan Drive, Tongwell,

Milton Keynes, Bucks MK15 8JD, Inglaterra

30. 1. 2009



Tomoyasu Kato

Director

Makita Corporation

3-11-8, Sumiyoshi-cho,

Anjo, Aichi, 446-8502, JAPAN

DANSK (Originalvejledning)

Forklaring til generel oversigt

- | | | |
|------------------------------|--------------------------|---------------------|
| 1. Rød indikator | 12. Skiftekontakthåndtag | 23. Væg |
| 2. Knap | 13. Tømmelskrue | 24. Slidgrænse |
| 3. Batteripakke | 14. Planleje | 25. Frontdæksel |
| 4. Stjernemærkning | 15. Støvdæksel | 26. Skruer |
| 5. Håndtag | 16. Spids | 27. Fjeder |
| 6. Stopperbase | 17. Fremføringsboks | 28. Arm |
| 7. Etiket på fremføringsboks | 18. Skruebånd | 29. Forsænket del |
| 8. Lille åbning | 19. Skruestyk | 30. Kulbørstedæksel |
| 9. Kapsling | 20. Skruemotion | 31. Hul |
| 10. Justeringsknap | 21. Bakknop | |
| 11. Kontaktgreb | 22. Krog | |

SPECIFIKATIONER

Model	DFR540	DFR550	DFR750
Skruebånd	4 x 25 – 55 mm		4 x 45 – 75 mm
Hastighed uden belastning (min ⁻¹)	4.000		
Længde i alt	424 m		464 mm
Nettovægt	2,0 kg	2,1 kg	2,1 kg
Nominel spænding	14,4 V DC	18 V DC	18 V DC

- På grund af vores løbende forsknings- og udviklingsprogram kan specifikationerne heri ændres uden forudgående varsel.
- Specifikationerne og batteripakken kan variere fra land til land.
- Vægt, inklusive batteripakken, i henhold til EPTA-Procedure 01/2003

Tilsigtet brug

ENE033-1

Værktøjet er beregnet til at skrue skruer i træ, metal og plastik.

5. **Berør ikke bitten eller arbejdsemnet umiddelbart efter brugen. De kan være meget varme og kan forårsage forbrændinger af huden.**

Generelle sikkerhedsadvarsler for maskiner

GEA010-1

⚠ ADVARSEL Læs alle sikkerhedsadvarsler og alle instruktioner. Hvis De ikke følger alle advarsler og instruktioner, kan det medføre elektrisk stød, brand og/eller alvorlig personskade.

Gem alle advarsler og instruktioner til senere reference.

SIKKERHEDSADVARSLER FOR AKKU-SKRUEMASKINE

GEB050-2

1. **Hold maskiner i de isolerede gribeplader, når du udfører arbejde, hvor befæstelselementet kan komme i kontakt med skjulte ledninger.** Hvis befæstelselementer kommer i kontakt med en strømførende ledning, kan udsatte metaldele på maskinen blive strømførende, hvorved operatøren muligvis kan få elektrisk stød.
2. **Sørg altid for at have et solidt fodfæste. Sørg for, at der ikke er nogen under Dem, når De benytter værktøjet på højtliggende steder.**
3. **Hold godt fast i værktøjet.**
4. **Hold hænderne på afstand af roterende dele.**

GEM DISSE INSTRUKTIONER.

⚠ ADVARSEL:

LAD IKKE tryk eller kendskab til produktet (fra gentagen brug) føre til, at du ikke strengt overholder sikkerhedsreglerne for det gældende produkt. **MISBRUG** eller manglende overholdelse af sikkerhedsreglerne i denne brugsanvisning kan medføre alvorlig personskade.

VIGTIGE SIKKERHEDSINSTRUKTIONER

ENC007-7

FOR BATTERIPAKKEN

1. **Før brugen af batteripakken skal du læse alle instruktioner og advarsler på (1) batteriopladeren, (2) batteriet og (3) det produkt, som batteriet anvendes i.**
2. **Skil ikke batteripakken ad.**
3. **Hvis driftstiden bliver betydeligt kortere, skal du straks ophøre med brugen. Brug kan medføre risiko for overophedning, risiko for forbrændinger eller endog eksplosion.**
4. **Hvis du får elektrolyt i øjnene, skal du med det samme rense øjnene med rent vand og søge læge. Dette kan medføre tab af synet.**
5. **Kortslut ikke batteripakken:**

- (1) Undgå at røre ved terminalerne med ledende materiale.
- (2) Undgå at opbevare batteripakken i en beholder med andre metalgenstande som f.eks. søm, mønter osv.
- (3) Udsæt ikke batteripakken for vand eller regn. Hvis batteriet kortsluttes, kan det medføre voldsom strøm, overophedning, mulige forbrændinger og endog nedbrud.
6. Undgå at opbevare værktøjet og batteripakken på steder, hvor temperaturen kan komme op på eller overstige 50°C.
7. Sæt ikke ild til batteripakken, selvom den er alvorligt beskadiget eller helt udtjent. Batteripakken kan eksplodere ved brand.
8. Undgå at tabe eller slå på batteriet.
9. Undlad brug af et beskadiget batteri.

GEM DISSE INSTRUKTIONER.

Tips til, hvordan du forlænger batteriets levetid

1. Oplad batteripakken, før den bliver helt afladet. Ophør med at bruge værktøjet, og udskift batteripakken, hvis strømmen til værktøjet aftager.
2. Oplad aldrig en fuldt opladet batteripakke. Overopladning forkorter batteriets levetid.
3. Oplad batteripakken ved stuetemperatur på 10°C - 40°C. Lad batteripakken køle ned før den oplades, hvis den er varm.
4. Oplad batteripakken en gang hver sjette måned, hvis du ikke bruger det i lang tid.

FUNKTIONSBESKRIVELSE

FORSIGTIG:

- Sørg altid for, at værktøjet er slukket, og at batteripakken er taget ud, før De justerer værktøjet eller kontrollerer dets funktion.

Montering eller afmontering af batteripakken (Fig. 1)

- Sluk altid for maskinen inden montering eller afmontering af batteripakken.
- Afmonter batteripakken ved at holde ned på knappen foran på batteripakken og skubbe den af maskinen.
- Ved montering af batteripakken justeres tungen på batteripakken med rillen i huset, hvorefter pakken skubbes på plads. Sæt den altid hele vejen ind, indtil den låses på plads med et lille klik. Hvis den røde indikator øverst på knappen er synlig, er batteripakken ikke låst helt fast. Sæt den helt ind, indtil den røde indikator ikke er synlig. Ellers kan den falde ud af maskinen og skade dig eller andre personer i nærheden.
- Brug ikke magt ved montering af batteripakken. Hvis den ikke glider let ind, er den ikke indsat korrekt.

Batteribeskyttelsessystem (lithium-ion-batteri med stjernemærkning) (Fig. 2)

Lithium-ion-batterier med en stjernemærkning er udstyret med et beskyttelsessystem. Dette system slukker

automatisk for strømmen til maskinen for at forlænge batterilevetiden.

Maskinen stopper automatisk under anvendelsen, hvis maskinen og/eller batteriet udsættes for en af de følgende situationer:

- Overbelastning:
 - Maskinen anvendes på en sådan måde, at det får den til at bruge unormalt meget strøm. I denne situation skal du slippe afbryderkontakten på maskinen og stoppe den anvendelse, som gjorde maskinen overbelastet. Tryk derefter ind på afbryderkontakten for starte igen. Hvis maskinen ikke starter, er batteriet overophedet. I denne situation skal du lade batteriet køle af, inden du trykke ind på afbryderkontakten igen.
- Lav batterispænding:
 - Den resterende batterikapacitet er for lav, og maskinen kan ikke køre. I denne situation skal du afmontere og oplade batteriet.

Indstilling af den ønskede skruelængde (Fig. 3)

Der er 7 faste indstillinger for skruelængden. De opnår den ønskede indstilling ved at trække stopperbasen ud, mens der trykkes ned på armen, indtil nummeret for den ønskede skruelængde (angives på etiketten på fremføringsboksen) ser ud til at hvile i den lille åbning på stopperbasen. Se nedenstående tabel angående forholdet mellem tallet på etiketten på fremføringsboksen og den tilsvarende skruelængde.

For modellerne DFR540, DFR550

Tal på etiketten	Skruelængde
25	25 mm
30	30 mm
35	35 mm
40	40 mm
45	45 mm
50	50 mm
55	55 mm

008238

For model DFR750

Tal på etiketten	Skruelængde
45	45 mm
50	50 mm
55	55 mm
60	60 mm
65	65 mm
70	70 mm
75	75 mm

008241

Indstilling af skruedybden (Fig. 4)

Tryk stopperbasen så langt ned, som den kan komme. Hold den i denne position, og drej på justeringsknappen, indtil spidsen stikker ca. 5 mm ud fra stopperbasen. Sæt en prøveskrue i. Hvis skrueens hoved stikker ud over overfladen af arbejdsområdet, skal De dreje

justeringsknappen i retning "A". Hvis skruens hoved er forsænket, skal De dreje justeringsknappen i retning "B".

Betjening af kontakt (Fig. 5)

FORSIGTIG:

- Før batteripakken sættes i værktøjet, skal De altid kontrollere, at kontaktrebet reagerer korrekt og vender tilbage i "OFF"-stillingen, når De slipper det. For at starte værktøjet trykkes blot på kontaktrebet. Slip kontaktrebet for at stoppe.

Betjening af skiftekontakten (Fig. 6)

Værktøjet har en skiftekontakt til at ændre rotationsretningen. Tryk skiftekontakten mod A-siden for rotation med uret eller mod B-siden for rotation mod uret. Når skiftekontakthåndtaget er i neutral stilling, kan kontaktrebet ikke aktiveres.

FORSIGTIG:

- Kontroller altid rotationsretningen før anvendelsen.
- Betjen ikke skiftekontakten, før værktøjet er helt stoppet. Hvis rotationsretningen ændres, når værktøjet ikke er helt stoppet, kan det beskadige værktøjet.
- Sæt altid skiftekontakthåndtaget i neutral stilling, når værktøjet ikke anvendes.

MONTERING

FORSIGTIG:

- Sørg altid for, at værktøjet er slukket, og at batteripakken er taget ud, før De udfører nogen form for arbejde på værktøjet.

Montering eller afmontering af spidsen

Løsn tommelskrueene, der holder kapslingen. Træk kapslingen af i pilens retning. (Fig. 7)
Tryk støvdækslet mod planlejet, og træk spidsen ud. Hvis støvdækslet ikke kan flyttes helt ind til planlejet, skal De dreje spidsen en smule og derefter prøve igen. Monter spidsen ved at sætte den ind i muffen og dreje den en smule. Efter montering skal De altid sikre Dem, at spidsen sidder godt fast, ved at forsøge at trække den ud. (Fig. 8)

Montering af skruebånd

Sæt skruebåndet gennem skruestyret. Sæt det derefter gennem fremføringsboksen, indtil den første skrue kommer til positionen ved siden af skruepositionen. (Fig. 9 og 10)

Afmontering af skruebånd

De afmonterer skruebåndet ved blot at trække det i værktøjens retning. Hvis De trykker på bakkappen, kan De trække skruebåndet ud i modsat retning af pilens retning. (Fig. 11 og 12)

Sammenfoldning af skruestyret (Fig. 13)

Skruestyret kan foldes sammen. Hvis skruestyret foldes sammen, reduceres pladsforbruget ved oplagring.

Bærekrog

Bærekrogen er nyttig til midlertidig fastgørelse af værktøjet. Den kan monteres i begge sider af værktøjet. Ved afmontering af bærekrogen udvides den ved at trykke

i højre ende PÅ BEGGE SIDER i pilens (1) retninger og løfte den af i pilens (2) retning. (Fig. 14)

BETJENING

Betjening til skrue (Fig. 15)

Tænd for værktøjet ved at trække i kontaktrebet. Hold værktøjet direkte og fast op mod skruefladen. En skrue fremføres automatisk til skruepositionen, hvor den fastgøres.

FORSIGTIG:

- Kontroller altid omhyggeligt spidsen for slid før anvendelse. Udskift en slidt spids. Undladelse heraf kan medføre dårlig fastskruning.
- Hold altid værktøjet direkte mod skruefladen. Hvis det holdes i en vinkel, kan skruehovederne blive beskadiget, og spidsen kan blive slidt. Det kan også medføre dårlig fastskruning.
- Hold altid værktøjet fast mod skruefladen, indtil skruepositionen er færdig. I modsat fald skrues skrueerne muligvis ikke ordentligt i.
- Vær omhyggelig med ikke at sætte en skrue ned i den anden skrue, som allerede er sat i.
- Anvend ikke værktøjet uden skrue. Dette beskadiger skruefladen.
- Anvend ikke olie eller fedtstof på fremføringsboksens glideunderlag.

Skrue i et hjørne (Fig. 16)

Værktøjet kan benyttes til skrue ned til 15 mm fra væggen som vist i figuren.

FORSIGTIG:

- Skrue i en position, som er mindre end 15 mm fra væggen, eller skrue, hvor stopperbasen har kontakt med væggen, kan beskadige skruehovederne og forårsage slid på spidsen. Det kan også medføre, at skrueene ikke sidder ordentligt fast, eller at værktøjet beskadiges.

VEDLIGEHOLDELSE

FORSIGTIG:

- Sørg altid for, at værktøjet er slukket, og at batteripakken er taget ud, før De forsøger at udføre inspektion eller vedligeholdelse.
- Brug aldrig benzin, benzen, fortynder, alkohol eller lignende. Det kan muligvis medføre misfarvning, deformation eller revner.

Udskiftning af kulbørsterne (Fig. 17)

Udskift dem, når de er nedslidte til slidgrænsen. Hold kulbørsterne rene og frie til at glide i holderne. Begge kulbørster skal udskiftes samtidig. Brug altid identiske kulbørster.
Løsn tommelskrueene, der holder kapslingen. Træk kapslingen af i pilens retning. (Fig. 18)
Brug en skrueetrækker til at fjerne de to skrue, og fjern derefter fordækslet. (Fig. 19)
Løft armen på fjederen, og placer den i den forsænkede del af huset med en kærvskrueetrækker med et tyndt skaft eller lignende. (Fig. 20)
Brug en pincet til at fjerne kulbørstedækslerne fra kulbørsterne. Tag de udslidte kulbørster ud, monter de

nye, og monter kulbørstedækslerne i omvendt rækkefølge af ovenstående. (Fig. 21)

Sørg for, at kulbørstedækslerne sidder godt fast i hullerne på børsteholderne. (Fig. 22)

Monter fordækslet igen, og stram de to skruer godt.

For at holde produktet SIKKERT og PÅLIDELIGT skal reparationer samt al anden vedligeholdelse eller justering udføres af autoriserede Makita-servicecentre, og der skal altid benyttes Makita-reservedele.

EKSTRAUDSTYR

⚠ FORSIGTIG:

- Dette tilbehør eller ekstraudstyr anbefales til brug med det Makita-værktøj, som er beskrevet i denne brugsanvisning. Brug af andet tilbehør eller ekstraudstyr kan forårsage personskade. Brug kun tilbehør eller ekstraudstyr til det formål, det er beregnet til.

Henvend dig til dit lokale Makita-servicecenter, hvis du har brug for hjælp eller yderligere oplysninger vedrørende tilbehøret.

- Bånd med gipsskruer
- Stjernespid
- Forskellige typer af originale batterier og opladere fra Makita
- Plastikbæretaske

BEMÆRK:

- Visse dele på listen er muligvis indeholdt maskinindpakningen som standardtilbehør. De kan variere fra land til land.

Støj ENG905-1

Det typiske A-vægtede støjniveau bestemt i overensstemmelse med EN60745:

Model DFR540

Lydtrykniveau (L_{pA}): 77 dB (A)

Usikkerhed (K): 3 dB (A)

Støjniveauet under arbejdet kan være større end 80 dB (A).

Model DFR550

Lydtrykniveau (L_{pA}): 78 dB (A)

Usikkerhed (K): 3 dB (A)

Støjniveauet under arbejdet kan være større end 80 dB (A).

Model DFR750

Lydtrykniveau (L_{pA}): 76 dB (A)

Usikkerhed (K): 3 dB (A)

Støjniveauet under arbejdet kan være større end 80 dB (A).

Bær høreværn.

Vibration ENG900-1

Den samlede vibrationsværdi (treaksial vektorsum) bestemt i overensstemmelse med EN60745:

Arbejdstilstand: skruning uden pres

Vibrationsemission (a_{hv}): 2,5 m/s² eller mindre

Usikkerhed (K): 1,5 m/s²

ENG901-1

- Den opgivne vibrationsemissionsværdi er målt i overensstemmelse med standardtestmetoden og kan bruges til at sammenligne et værktøj med et andet.

- Den opgivne vibrationsemissionsværdi kan muligvis også bruges til en indledende eksponeringsvurdering.

⚠ ADVARSEL:

- Vibrationsemissionen under den faktiske brug af maskinen kan afvige fra den opgivne emissionsværdi afhængigt af den måde, maskinen anvendes på.
- Sørg for at bestemme sikkerhedsforanstaltninger for beskyttelse af operatøren, som er baseret på en eksponeringsvurdering for brug under faktiske forhold (hvor alle anvendelsescyklussens dele inddrages, som f.eks. antal gange maskinen slukkes, og når den kører i tomgang ud over triggertiden).

Kun for lande i Europa ENH101-15

EF-overensstemmelseserklæring

Vi, Makita Corporation, erklærer som ansvarlig producent at følgende Makita-maskine(r):

Maskinens betegnelse: Ledningsfri skruetrækker med automatisk fremføring

Modelnummer/ type: DFR540, DFR550, DFR750

er en produktionsserie og

Overholder følgende europæiske direktiver:

2006/42/EF

Op er produceret i overensstemmelse med følgende standarder eller standardiserede dokumenter:

EN60745

Den tekniske dokumentation findes hos vores autoriserede repræsentant i Europa:

Makita International Europe Ltd.,

Michigan Drive, Tongwell,

Milton Keynes, Bucks MK15 8JD, England

Tomoyasu Kato

Direktør

Makita Corporation

3-11-8, Sumiyoshi-cho,

Anjo, Aichi, 446-8502, JAPAN

ΕΛΛΗΝΙΚΑ (Πρωτογενείς οδηγίες)

Περιγραφή γενικής όψης

- | | | |
|-----------------------------------|-------------------------|---------------------------|
| 1. Κόκκινη ένδειξη | 12. Αναστροφικό | 23. Τοίχος |
| 2. Κουμπί | 13. Βίδα χειρός | 24. Ένδειξη ορίου |
| 3. Μπαταρία | 14. Ρουλεμάν κύλισης | 25. Μπροσινό κάλυμμα |
| 4. Ένδειξη άστρου | 15. Κάλυμμα σκόνης | 26. Βίδες |
| 5. Μοχλός | 16. Μύτη | 27. Ελατήριο |
| 6. Βάση στοπ | 17. Θάλαμος τροφοδοσίας | 28. Βραχίονας |
| 7. Ετικέτα στο θάλαμο τροφοδοσίας | 18. Γεμιστήρας βιδών | 29. Τμήμα με εγκοπή |
| 8. Προεξοχή | 19. Οδηγός βιδών | 30. Καπάκι για καρβουνάκι |
| 9. Περιβλημα | 20. Θέση βιδώματος | 31. Οπή |
| 10. Ρυθμιστικό κουμπί | 21. Κουμπί αναστροφής | |
| 11. Σκανδάλη-διακόπτης | 22. Γάντζος | |

ΠΡΟΔΙΑΓΡΑΦΕΣ

Μοντέλο	DFR540	DFR550	DFR750
Γεμιστήρας βιδών	4 x 25 - 55 mm		
Ταχύτητα χωρίς φορτίο (min ⁻¹)	4.000		
Ολικό μήκος	424 μέτρα		464 μέτρα
Καθαρό βάρος	2,0 κιλά	2,1 κιλά	2,1 κιλά
Ονομαστική τιμή τάσης	D.C. 14,4 V	D.C. 18 V	D.C. 18 V

- Λόγω του συνεχόμενου προγράμματος που εφαρμόζουμε για έρευνα και ανάπτυξη, τα τεχνικά χαρακτηριστικά στο παρόν έντυπο υπόκεινται σε αλλαγή χωρίς προειδοποίηση.
- Τα τεχνικά χαρακτηριστικά και η μπαταρία ενδέχεται να διαφέρουν από χώρα σε χώρα.
- Βάρος μαζί με την μπαταρία σύμφωνα με τη διαδικασία της ΕΡΤΑ 01/2003

Προοριζόμενη χρήση ENE033-1
Το εργαλείο προορίζεται για βίδωμα σε ξύλο, μέταλλο και πλαστικό.

Γενικές Προειδοποιήσεις Ασφαλείας Του Ηλεκτρικού Εργαλείου

GEA010-1

⚠ ΠΡΟΕΙΔΟΠΟΙΗΣΗ Διαβάστε όλες τις προειδοποιήσεις ασφαλείας και όλες τις οδηγίες. Αν δεν ακολουθήσετε όλες τις προειδοποιήσεις και τις οδηγίες, υπάρχει κίνδυνος ηλεκτροπληξίας, πυρκαγιάς ή/και σοβαρού τραυματισμού.

Φυλάξτε όλες τις προειδοποιήσεις και τις οδηγίες για μελλοντική αναφορά.

ΠΡΟΕΙΔΟΠΟΙΗΣΕΙΣ ΑΣΦΑΛΕΙΑΣ ΚΑΤΣΑΒΙΔΙΟΥ ΜΠΑΤΑΡΙΑΣ

GEB050-2

1. Να κρατάτε το ηλεκτρικό εργαλείο από τις μονωμένες λαβές όταν εκτελείτε εργασίες κατά τις οποίες ο σφινκτήρας μπορεί να έρθει σε επαφή με κρυμμένα καλώδια. Αν οι σφικτήρες έρθουν σε επαφή με κάποιο ηλεκτροφόρο καλώδιο, τα εκτεθειμένα μεταλλικά μέρη του ηλεκτρικού εργαλείου θα γίνουν κι αυτά ηλεκτροφόρα και μπορεί να προκληθεί ηλεκτροπληξία στο χειριστή.
2. Να βεβαιώνετε πάντοτε ότι στέκεστε σταθερά. Όταν χρησιμοποιείτε το εργαλείο σε υψηλές

τοποθεσίες, να βεβαιώνετε ότι δεν βρίσκεται κανένας από κάτω.

3. Να κρατάτε το εργαλείο σταθερά.
4. Μην πλησιάζετε τα χέρια σας σε περιστρεφόμενα μέρη.
5. Μην αγγίζετε τη μύτη ή το τεμάχιο εργασίας αμέσως μετά τη λειτουργία του εργαλείου. Μπορεί να είναι εξαιρετικά θερμά και να προκληθεί έγκαυμα στο δέρμα σας.

ΦΥΛΑΞΤΕ ΑΥΤΕΣ ΤΙΣ ΟΔΗΓΙΕΣ.

⚠ ΠΡΟΕΙΔΟΠΟΙΗΣΗ:
ΜΗΝ επιτρέψετε στη βολικότητα ή στην εξοικειώσή σας με το προϊόν (που αποκτήθηκε από επανειλημμένη χρήση) να αντικαταστήσει την αυστηρή προσήλωση στους κανόνες ασφαλείας του εν λόγω προϊόντος. Η ΛΑΝΘΑΣΜΕΝΗ ΧΡΗΣΗ ή η μη τήρηση των κανόνων ασφαλείας που διατυπώνονται στο παρόν εγχειρίδιο οδηγίων μπορεί να προκαλέσει σοβαρό τραυματισμό.

ΣΗΜΑΝΤΙΚΕΣ ΟΔΗΓΙΕΣ ΑΣΦΑΛΕΙΑΣ

ENC007-7

ΓΙΑ ΤΗΝ ΜΠΑΤΑΡΙΑ

1. Πριν χρησιμοποιήσετε την μπαταρία, διαβάστε όλες τις οδηγίες και τις ενδείξεις προφύλαξης στο (1) φορτιστή μπαταρίας, (2) την μπαταρία και (3) το προϊόν στο οποίο χρησιμοποιείται η μπαταρία.
2. Μην αποσυναρμολογείτε την μπαταρία.

3. **Αν ο χρόνος λειτουργίας της μπαταρίας είναι υπερβολικά σύντομος, διακόψτε αμέσως τη λειτουργία. Αν συνεχίσετε, μπορεί να έχει ως αποτέλεσμα τον κίνδυνο υπερθέρμανσης, πιθανών εγκαυμάτων και ακόμη έκρηξης.**
4. **Αν μπει στα μάτια σας ηλεκτρολύτης, ξεπλύνετε με καθαρό νερό και αναζητήστε αμέσως ιατρική βοήθεια. Μπορεί να χάσετε την όρασή σας.**
5. **Μη βραχυκυκλώνετε την μπαταρία:**
 - (1) **Μην αγγίζετε τους ακροδέκτες με αγώγιμο υλικό.**
 - (2) **Μην αποθηκεύετε την μπαταρία σε δοχείο με άλλα μεταλλικά αντικείμενα, όπως καρφιά, νομίσματα, κτλ.**
 - (3) **Μην εκθέτετε την μπαταρία σε νερό ή βροχή. Αν βραχυκυκλωθεί η μπαταρία, μπορεί να προκληθεί μεγάλη ροή ηλεκτρικού ρεύματος, υπερθέρμανση, πιθανά εγκαύματα και ακόμη και καταστροφή της μπαταρίας.**
6. **Μην αποθηκεύετε το εργαλείο και την μπαταρία σε μέρη όπου η θερμοκρασία μπορεί να φτάσει ή να ξεπεράσει τους 50°C (122°F).**
7. **Μην αποπερφώνετε την μπαταρία ακόμη κι αν παρουσιάζει σοβαρή ζημιά ή είναι εντελώς φθαρμένη. Η μπαταρία μπορεί να εκραγεί σε φωτιά.**
8. **Να προσέχετε να μη σας πέσει η μπαταρία και να μη συγκρουστεί με κάποιο αντικείμενο.**
9. **Μη χρησιμοποιείτε μια μπαταρία που έχει υποστεί βλάβη.**

ΦΥΛΑΞΤΕ ΑΥΤΕΣ ΤΙΣ ΟΔΗΓΙΕΣ.

Συμβουλές για τη διατήρηση της μέγιστης ζωής της μπαταρίας

1. **Να φορτίζετε την μπαταρία πριν αποφορτιστεί εντελώς.**
Πάντοτε να διακόπτετε τη λειτουργία του εργαλείου και να φορτίζετε την μπαταρία όταν παρατηρείται μειωμένη ισχύ του εργαλείου.
2. **Ποτέ μην επαναφορτίζετε μια πλήρως φορτισμένη μπαταρία.**
Αν υπερφορτίσετε την μπαταρία, μειώνεται η ωφέλιμη διάρκεια ζωής της.
3. **Να φορτίζετε την μπαταρία σε θερμοκρασία δωματίου, δηλαδή στους 10°C έως 40°C (50°F έως 104°F).** Αν η μπαταρία είναι θερμή, αφήστε την να ψυχθεί πριν τη φορτίσετε.
4. **Να φορτίζετε την κασέτα μπαταρία μια φορά κάθε έξι μήνες όταν δεν τη χρησιμοποιείτε για μεγάλο χρονικό διάστημα.**

ΠΕΡΙΓΡΑΦΗ ΛΕΙΤΟΥΡΓΙΑΣ

ΠΡΟΣΟΧΗ:

- Να βεβαιώνετε πάντοτε ότι έχετε σβήσει το εργαλείο και έχετε βγάλει την μπαταρία πριν ρυθμίσετε ή ελέγξετε κάποια λειτουργία του εργαλείου.

Τοποθέτηση ή αφαίρεση της κασέτας μπαταρίας (Εικ. 1)

- Πάντοτε να απενεργοποιείτε το εργαλείο πριν από την τοποθέτηση ή την αφαίρεση της κασέτας μπαταρίας.

- Για να βγάλετε την κασέτα μπαταρίας, σύρετε την από το εργαλείο ολισθαινόντας το κουμπί στο μπροστινό μέρος της κασέτας.
- Για να τοποθετήσετε την κασέτα μπαταρίας, ευθυγραμμίστε τη γλωττίδα της κασέτας μπαταρίας με την εγκοπή στο περίβλημα και ολισθήστε τη στη θέση της. Πάντοτε να την τοποθετείτε έως το τέρμα, δηλαδή έως όπου ασφαλίζει στη θέση και ακουστεί ένας χαρακτηριστικός ήχος "κλικ". Αν μπορείτε να δείτε την κόκκινη ένδειξη στην πάνω πλευρά του κουμπιού, η μπαταρία δεν είναι πλήρως ασφαλισμένη. Τοποθετήστε την πλήρως για να μη φαίνεται η κόκκινη ένδειξη. Σε αντίθετη περίπτωση, μπορεί να πέσει κατά λάθος από το εργαλείο και να τραυματίσει εσάς ή κάποιον παρευρισκόμενο.
- Να μη χρησιμοποιείτε δύναμη όταν τοποθετείτε την κασέτα μπαταρίας. Αν η κασέτα δεν ολισθαίνει με ευκολία, δεν την εισήγατε σωστά.

Σύστημα προστασίας μπαταρίας (Μπαταρία ιόντων λιθίου με την ένδειξη άστρου) (Εικ. 2)

Οι μπαταρίες ιόντων λιθίου με ένδειξη άστρου είναι εφοδιασμένες με ένα σύστημα προστασίας. Αυτό το σύστημα διακόπτει αυτόματα το ρεύμα στο εργαλείο για να παρατείνεται η διάρκεια ζωής της μπαταρίας. Το εργαλείο θα σταματήσει αυτόματα κατά τη λειτουργία όταν το εργαλείο και/ή η μπαταρία υποστούν τις παρακάτω συνθήκες.

- Υπερφόρτιση:
Το εργαλείο λειτουργεί με τρόπο που προκαλεί την κατανάλωση ασυνήθιστα υψηλής ποσότητας ρεύματος. Στην περίπτωση αυτή, ελευθερώστε το διακόπτη ενεργοποίησης του εργαλείου και σταματήστε την εφαρμογή που προκάλεσε την υπερφόρτωση του εργαλείου. Στη συνέχεια, τραβήξτε τη σκανδάλη ξανά για επανεκκίνηση.
Εάν το εργαλείο δεν ξεκινά, η μπαταρία έχει υπερθερμανθεί. Στην περίπτωση αυτή, αφήστε την μπαταρία να κρυώσει πριν τραβήξετε τη σκανδάλη ξανά.
- Χαμηλή τάση της μπαταρίας:
Η εναπομένουσα ποσότητα ρεύματος της μπαταρίας είναι πολύ χαμηλή και το εργαλείο δεν θα λειτουργήσει. Σε αυτήν την περίπτωση, αφαιρέστε και επαναφορτίστε τη μπαταρία.

Ρύθμιση για το επιθυμητό μήκος βιδών (Εικ. 3)

Υπάρχουν 7 θέσεις σταθερής ασφάλισης για τη ρύθμιση του μήκους βιδών. Για να πετύχετε την επιθυμητή ρύθμιση, τραβήξτε προς τα έξω τη βάση στοπ ενώ πατάτε το μοχλό έως ότου φαίνεται ότι ο αριθμός του επιθυμητού μήκους βιδών (υποδεικνύεται στην ετικέτα στο θάλαμο τροφοδοσίας) ακουμπά στην προεξοχή της βάσης στοπ. Ανατρέξτε στον παρακάτω πίνακα για τη σχέση μεταξύ του αριθμού που υποδεικνύεται στην ετικέτα στο θάλαμο τροφοδοσίας και το αντίστοιχο μήκος βιδών.

Για τα μοντέλα DFR540, DFR550

Αριθμός που υποδεικνύεται στην ετικέτα	Μήκος βίδας
25	25 mm
30	30 mm
35	35 mm
40	40 mm
45	45 mm
50	50 mm
55	55 mm

008238

Για το μοντέλο DFR750

Αριθμός που υποδεικνύεται στην ετικέτα	Μήκος βίδας
45	45 mm
50	50 mm
55	55 mm
60	60 mm
65	65 mm
70	70 mm
75	75 mm

008241

Ρύθμιση του βάθους βιδώματος (Εικ. 4)

Πιέστε τη βάση στο πόσο περισσότερο γίνεται. Ενώ την κρατάτε σε αυτήν τη θέση, περιστρέψτε το ρυθμιστικό κουμπί έως ότου η μύτη προεξέχει περίπου 5 mm από τη βάση στο πό. Βιδώστε δοκιμαστικά μια βίδα. Αν το κεφάλι της βίδας προεξέχει από την επιφάνεια του τεμαχίου εργασίας, περιστρέψτε το ρυθμιστικό κουμπί προς την κατεύθυνση "Α". Αν το κεφάλι της βίδας καταβυθιστεί, περιστρέψτε το ρυθμιστικό κουμπί προς την κατεύθυνση "Β".

Δράση διακόπτη (Εικ. 5)

ΠΡΟΣΟΧΗ:

- Πριν βάζετε την μπαταρία στο εργαλείο, πάντοτε να ελέγχετε ότι η σκανδάλη-διακόπτης ενεργοποιείται κανονικά και επιστρέφει στη θέση "OFF" όταν την αφήνετε.

Για να ξεκινήσετε το εργαλείο, απλά πιέστε τη σκανδάλη-διακόπτη. Για να σταματήσετε, αφήστε τη σκανδάλη-διακόπτη.

Δράση αναστροφικού (Εικ. 6)

Το εργαλείο αυτό διαθέτει αναστροφικό για να αλλάζετε την κατεύθυνση περιστροφής. Πατήστε το αναστροφικό από την πλευρά Α για δεξιόστροφη περιστροφή ή από την πλευρά Β για αριστερόστροφη περιστροφή. Όταν το αναστροφικό βρίσκεται στην ουδέτερη θέση, δεν μπορείτε να πατήσετε τη σκανδάλη-διακόπτη.

ΠΡΟΣΟΧΗ:

- Πριν από τη λειτουργία, να ελέγχετε πάντοτε την κατεύθυνση περιστροφής.
- Να χρησιμοποιείτε το αναστροφικό μόνο όταν το εργαλείο είναι εντελώς ακινητοποιημένο. Αν αλλάξετε

την κατεύθυνση περιστροφής πριν ακινητοποιηθεί το εργαλείο, μπορεί να προκληθεί βλάβη στο εργαλείο.

- Όταν δεν χειρίζεστε το εργαλείο, να βάζετε πάντοτε το αναστροφικό στην ουδέτερη θέση.

ΣΥΝΑΡΜΟΛΟΓΗΣΗ

ΠΡΟΣΟΧΗ:

- Να βεβαιώνετε πάντοτε ότι έχετε σβήσει το εργαλείο και έχετε βγάλει την μπαταρία πριν εκτελέσετε οποιαδήποτε εργασία σε αυτό.

Τοποθέτηση ή αφαίρεση της μύτης

Χαλαρώστε τις βίδες πεταλούδα που στερεώνουν το περίβλημα. Τραβήξτε προς τα έξω το περίβλημα προς την κατεύθυνση του βέλους. (Εικ. 7)

Πιέστε το κάλυμμα σκόνης προς το ρουλεμάν κύλισης και τραβήξτε προς τα έξω τη μύτη. Αν το κάλυμμα σκόνης δεν μπορεί να μετακινηθεί έως το ρουλεμάν κύλισης, δοκιμάστε ξανά αφού περιστρέψετε λίγο τη μύτη. Για να τοποθετήσετε τη μύτη, βάλτε τη μέσα στην υποδοχή ενώ την περιστρέφεται λίγο. Μετά την τοποθέτηση, να προσπαθείτε πάντοτε να τραβήξετε τη μύτη για να βεβαιωθείτε ότι αυτή είναι ασφαλισμένη στη θέση της. (Εικ. 8)

Τοποθέτηση του γεμιστήρα βιδών

Βάλτε το γεμιστήρα βιδών μέσα στον οδηγό βιδών. Μετά περάστε τον μέσα από το θάλαμο τροφοδοσίας έως ότου η πρώτη βίδα φτάσει στη θέση δίπλα από τη θέση βιδώματος. (Εικ. 9 και 10)

Αφαίρεση του γεμιστήρα βιδών

Για να αφαιρέσετε το γεμιστήρα βιδών, απλά τραβήξτε τον προς τα έξω προς την κατεύθυνση του βέλους. Αν πατήσετε το κουμπί αναστροφής, μπορείτε να τραβήξετε προς τα έξω το γεμιστήρα βιδών προς την αντίθετη κατεύθυνση από αυτήν που δείχνει το βέλος. (Εικ. 11 και 12)

Αναδιπλούμενος οδηγός βιδών (Εικ. 13)

Ο οδηγός βιδών είναι αναδιπλούμενος. Αν αναδιπλώσετε τον οδηγό βιδών, ο χώρος που απαιτείται για αποθήκευση είναι ο ελάχιστος.

Γάντζος μεταφοράς

Ο γάντζος μεταφοράς χρησιμεύει για το προσωρινό κρέμασμα του εργαλείου. Μπορείτε να τον τοποθετήσετε σε οποιαδήποτε πλευρά του εργαλείου. Όταν αφαιρείτε το γάντζο μεταφοράς, πατήστε τα δεξιά άκρα του ΚΑΙ ΣΤΙΣ ΔΥΟ ΠΛΕΥΡΕΣ προς την κατεύθυνση του βέλους (1) για να τον ευρύνετε και ανασηκώστε τον προς την κατεύθυνση του βέλους (2). (Εικ. 14)

ΛΕΙΤΟΥΡΓΙΑ

Λειτουργία βιδώματος (Εικ. 15)

Πατήστε τη σκανδάλη-διακόπτη για να ενεργοποιήσετε το εργαλείο. Κρατήστε το εργαλείο κάθετα και σταθερά επάνω στην επιφάνεια βιδώματος. Η βίδα θα μεταφερθεί αυτόματα στη θέση βιδώματος και θα στερεωθεί.

ΠΡΟΣΟΧΗ:

- Να ελέγχετε πάντοτε προσεχτικά τη μύτη για φθορά πριν από τις λειτουργίες βιδώματος. Να αντικαθιστάτε

- μια φθαρμένη μύτη. Διαφορετικά, μπορεί να προκύψει ανεπαρκής στερέωση.
- Να κρατάτε πάντοτε το εργαλείο κάθετα επάνω στην επιφάνεια βιδώματος. Αν το κρατάτε υπό γωνία μπορεί να προκληθεί βλάβη στις κεφαλές βιδών και φθορά στη μύτη. Αυτό μπορεί να προκαλέσει και ανεπαρκής στερέωση.
- Να κρατάτε πάντοτε το εργαλείο σταθερά επάνω στην επιφάνεια βιδώματος έως ότου ολοκληρωθεί το βιδώμα. Διαφορετικά, μπορεί να προκληθεί ανεπαρκής στερέωση των βιδών.
- Προσέχετε ώστε να μη βιδώσετε μια βίδα επάνω σε άλλη βίδα που είναι ήδη στερεωμένη.
- Μη θέτετε το εργαλείο σε λειτουργία χωρίς βίδες. Θα προκληθεί βλάβη στην επιφάνεια βιδώματος.
- Μην τοποθετείτε λάδι ή γράσο στην ολισθαίνουσα επιφάνεια του θαλάμου τροφοδοσίας.

Βίδωμα σε γωνίες (Εικ. 16)

Αυτό το εργαλείο μπορεί να χρησιμοποιηθεί για βίδωμα από θέση 15 mm μακριά από τον τοίχο, όπως απεικονίζεται στην εικόνα.

ΠΡΟΣΟΧΗ:

- Το βίδωμα από θέση λιγότερο από 15 mm μακριά από τον τοίχο ή βιδωμα με τη βάση στοπ σε επαφή με τον τοίχο μπορεί να προκαλέσει βλάβη στις κεφαλές βιδών και φθορά στη μύτη. Αυτό μπορεί να προκαλέσει και ανεπαρκής στερέωση των βιδών και δυσλειτουργία του εργαλείου.

ΣΥΝΤΗΡΗΣΗ

ΠΡΟΣΟΧΗ:

- Να βεβαιώνετε πάντοτε ότι έχετε σβήσει το εργαλείο και έχετε βγάλει την μπαταρία πριν εκτελέσετε οποιαδήποτε εργασία ελέγχου ή συντήρησης σε αυτό.
- Μην χρησιμοποιήσετε βενζίνη, βενζόλη, διαλυτικό, αλκοόλη ή κάτι παρόμοιο. Μπορεί να προκληθεί αποχρωματισμός, παραμόρφωση ή ρωγμές.

Αλλαγή καρβουνάκιων (Εικ. 17)

Να αντικαθιστάτε τα καρβουνάκια όταν έχουν φθαρεί έως την ένδειξη ορίου. Να διατηρείτε τα καρβουνάκια καθαρά και ελεύθερα για να γλιστρούν στις υποδοχές.

Πρέπει να αλλάξετε ταυτόχρονα και τα δύο καρβουνάκια. Να χρησιμοποιείτε μόνο καρβουνάκια ίδιου τύπου. Χαλαρώστε τις βίδες πεταλούδα που στερεώνουν το περίβλημα. Τραβήξτε προς τα έξω το περίβλημα προς την κατεύθυνση του βέλους. (Εικ. 18)

Με ένα κατσαβίδι, βγάλτε τις δύο βίδες και μετά βγάλτε το μπροστινό κάλυμμα. (Εικ. 19)

Σηκώστε το τμήμα βραχίονα του ελατηρίου και κατόπιν τοποθετήστε το στο τμήμα εγκοπής του περιβλήματος με ένα πλακέ, λεπτό κατσαβίδι ή παρόμοιο εργαλείο. (Εικ. 20)

Χρησιμοποιήστε τανάλια για να αφαιρέσετε τα καπάκια για τα καρβουνάκια. Βγάλτε τα φθαρμένα καρβουνάκια, τοποθετήστε τα καινούργια και τοποθετήστε ξανά τα καπάκια για τα καρβουνάκια με αντίστροφη σειρά. (Εικ. 21)

Βεβαιωθείτε ότι τα καπάκια για τα καρβουνάκια εφαρμόζουν καλά στις οπές στις θήκες καρβουνάκιων. (Εικ. 22)

Τοποθετήστε ξανά το μπροστινό κάλυμμα και σφίξτε καλά τις δύο βίδες.

Για να διατηρείται η ΑΣΦΑΛΕΙΑ και η ΑΞΙΟΠΙΣΤΙΑ του προϊόντος, οι εργασίες επισκευής, καθώς και οποιαδήποτε άλλη εργασία συντήρησης ή ρύθμισης, θα πρέπει να εκτελούνται σε εξουσιοδοτημένα κέντρα εξυπηρέτησης της Makita, και πάντοτε με τη χρήση ανταλλακτικών της Makita.

ΠΡΟΑΙΡΕΤΙΚΑ ΑΞΕΣΟΥΑΡ

⚠️ ΠΡΟΣΟΧΗ:

- Συνιστάται η χρήση αυτών των αξεσουάρ ή εξαρτημάτων με το εργαλείο της Makita, όπως περιγράφεται στο παρόν εγχειρίδιο. Αν χρησιμοποιήσετε άλλα αξεσουάρ ή εξαρτήματα μπορεί να παρουσιαστεί κίνδυνος για πρόκληση τραυματισμού προσώπων. Να χρησιμοποιείτε τα αξεσουάρ και τα εξαρτήματα μόνο για το σκοπό για τον οποίο προορίζονται.

Αν χρειάζεστε κάποια βοήθεια ή περισσότερες πληροφορίες σχετικά με τα αξεσουάρ αυτά, απευθυνθείτε στο πλησιέστερο κέντρο εξυπηρέτησης της Makita.

- Γεμιστήρας βιδών για γυψοσανίδες
- Μύτη σταυροκατσάβιδου
- Διάφοροι τύποι γνήσιων μπαταριών και φορτιστών της Makita
- Πλαστική θήκη μεταφοράς

ΣΗΜΕΙΩΣΗ:

- Ορισμένα από τα στοιχεία της λίστα μπορεί να περιέχονται στην συσκευασία του εργαλείου ως κανονικά αξεσουάρ. Αυτά ενδέχεται να διαφέρουν από χώρα σε χώρα.

Θορύβος

ENG905-1

Το σύνθηες σταθμισμένο επίπεδο θορύβου που έχει καθοριστεί σύμφωνα με την EN60745:

Μοντέλα DFR540

Επίπεδο ηχητικής πίεσης (L_{pA}): 77 dB (A)

Αβεβαιότητα (K): 3 dB (A)

Το επίπεδο θορύβου κατά τη λειτουργία ενδέχεται να υπερβεί τα 80 dB (A).

Μοντέλα DFR550

Επίπεδο ηχητικής πίεσης (L_{pA}): 78 dB (A)

Αβεβαιότητα (K): 3 dB (A)

Το επίπεδο θορύβου κατά τη λειτουργία ενδέχεται να υπερβεί τα 80 dB (A).

Μοντέλα DFR750

Επίπεδο ηχητικής πίεσης (L_{pA}): 76 dB (A)

Αβεβαιότητα (K): 3 dB (A)

Το επίπεδο θορύβου κατά τη λειτουργία ενδέχεται να υπερβεί τα 80 dB (A).

Να φοράτε ωτοασπίδες.

Δόνηση

ENG900-1

Η συνολική τιμή δόνησης (διανυσματικό άθροισμα τριών αξόνων) που έχει καθοριστεί σύμφωνα με την EN60745:

Κατάσταση λειτουργίας: βίδωμα χωρίς κρούση
Εκπομπή δόνησης (a_{h1}): 2,5 m/s² ή λιγότερο
Αβεβαιότητα (K): 1,5 m/s²

- Η δηλωθείσα τιμή των παραγομένων κραδασμών έχει καταμετρηθεί σύμφωνα με την τυποποιημένη μέθοδο δοκιμασίας και μπορεί να χρησιμοποιηθεί για την σύγκριση ενός εργαλείου με ένα άλλο.
- Η δηλωθείσα τιμή των παραγομένων κραδασμών μπορεί επίσης να χρησιμοποιηθεί για μια προκαταρκτική αξιολόγηση της έκθεσης στους κραδασμούς.

⚠ ΠΡΟΕΙΔΟΠΟΙΗΣΗ:

- Η εκπομπή κραδασμών κατά τη διάρκεια της πραγματικής χρήσης του ηλεκτρικού εργαλείου μπορεί να διαφέρει από τη δηλωθείσα τιμή των εκπομπών, ανάλογα με τον τρόπο με τον οποίο χρησιμοποιείται το εργαλείο.
- Φροντίστε να λάβετε τα μέτρα ασφαλείας που απαιτούνται για την προστασία του χρήστη που βασίζονται σε μια εκτίμηση της έκθεσης σε πραγματικές συνθήκες χρήσης (λαμβάνοντας υπόψη όλα τα μέρη του κύκλου λειτουργίας, όπως είναι οι περιπτώσεις κατά τις οποίες το εργαλείο είναι απενεργοποιημένο και όταν λειτουργεί στο ρελαντί επιπροσθέτως του χρόνου κατά τον οποίο το εργαλείο βρίσκεται σε χρήση).

Για τις Ευρωπαϊκές χώρες μόνο ENH101-15
EK – Δήλωση συμμόρφωσης

Η Εταιρία Makita ως υπεύθυνος κατασκευαστής, δηλώνει ότι το παρακάτω μηχάνημα ή μηχανήματα της Makita:

Όνομασία Μηχανήματος: Φορητό αυτοτροφοδοτούμενο κατασβίδι

Αρ. Μοντέλου/ Τύπος: DFR540, DFR550, DFR750
αποτελούν παραγωγή σε σειρά και

Συμμορφώνονται με τις ακόλουθες Ευρωπαϊκές Οδηγίες:

2006/42/EK

Και κατασκευάζονται σύμφωνα με τα παρακάτω πρότυπα ή τυποποιημένα έγγραφα:

EN60745

Ο εξουσιοδοτημένος μας αντιπρόσωπος στην Ευρώπη διατηρεί τα τεχνικά έγγραφα, ο οποίος είναι:

Makita International Europe Ltd.,
Michigan Drive, Tongwell,
Milton Keynes, Bucks MK15 8JD, England

30. 1. 2009



Tomoyasu Kato
Διευθυντής
Makita Corporation
3-11-8, Sumiyoshi-cho,
Anjo, Aichi, 446-8502, JAPAN

Makita Corporation
Anjo, Aichi, Japan

www.makita.com

885286-992

ALA