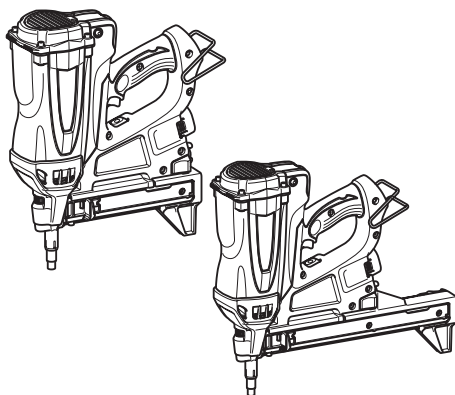




EN	Cordless Concrete Nailer	INSTRUCTION MANUAL	6
FR	Cloueur à gaz pour béton	MANUEL D'INSTRUCTIONS	14
DE	Gasdruck-Betonnagler	BEDIENUNGSANLEITUNG	23
IT	Chiodatrice a batteria per cemento	ISTRUZIONI PER L'USO	32
NL	Accubetonnagelpistool	GEBRUIKSAANWIJZING	41
ES	Clavadora a gas-batería para concreto	MANUAL DE INSTRUCCIONES	50
PT	Pinador para concreto a bateria	MANUAL DE INSTRUÇÕES	59
DA	Ledningsfri betonsømpistol	BRUGSANVISNING	68
EL	Καρφωτικό τσιμέντου μπαταρίας	ΕΓΧΕΙΡΙΔΙΟ ΟΔΗΓΙΩΝ	76
TR	Akülü Beton Çivi Çakma Tabancası	KULLANMA KILAVUZU	85

GN420C



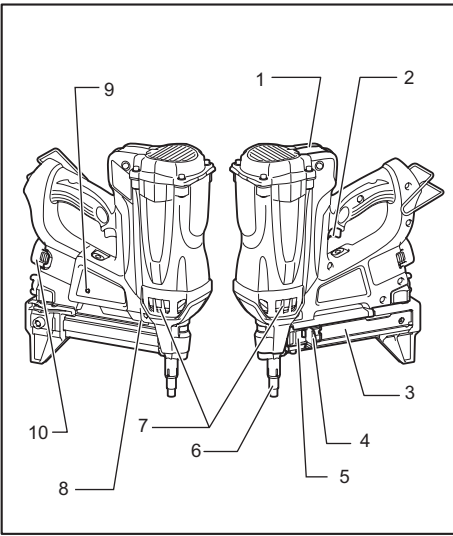


Fig.1

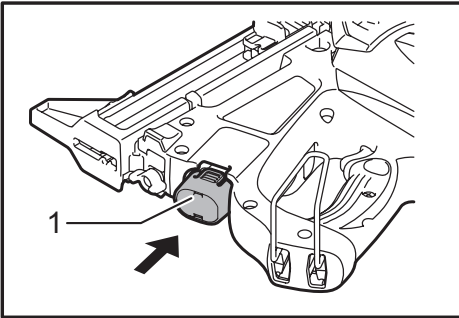


Fig.2

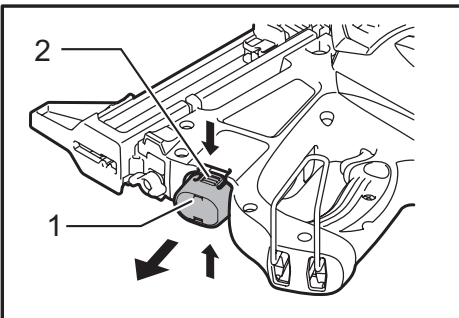


Fig.3

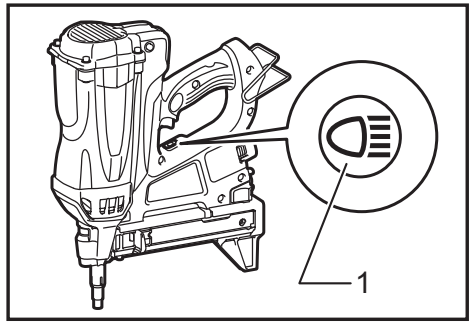


Fig.4

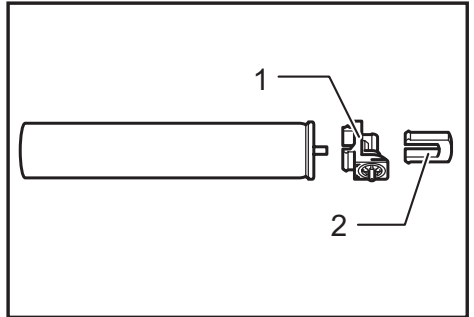


Fig.5

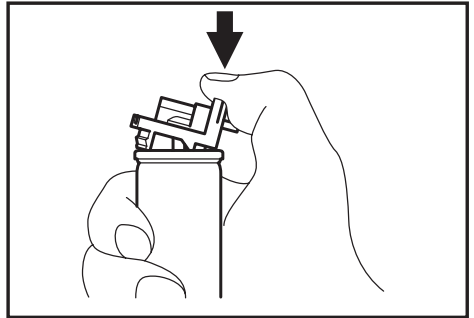


Fig.6

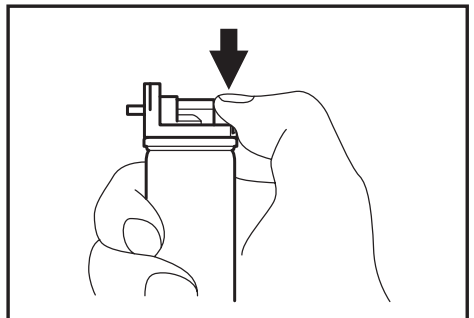


Fig.7

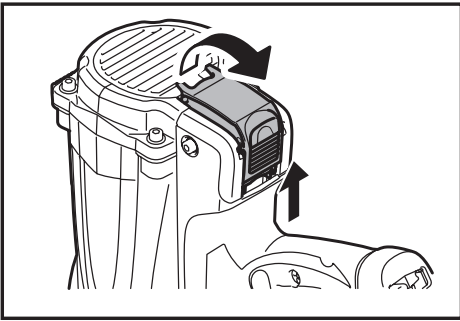


Fig.8

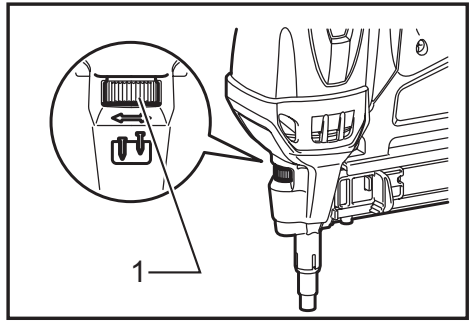


Fig.12

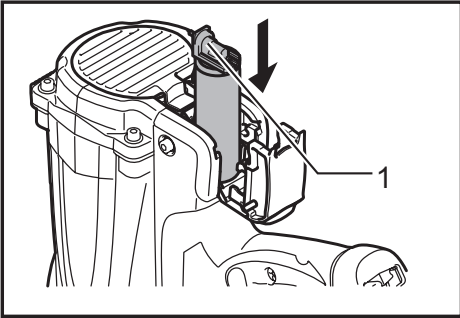


Fig.9

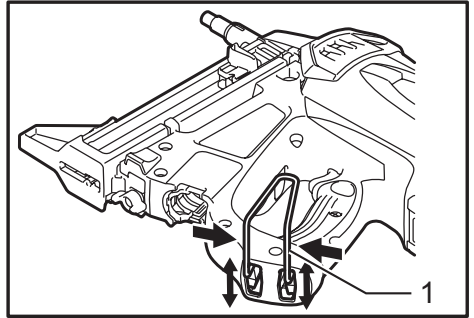


Fig.13

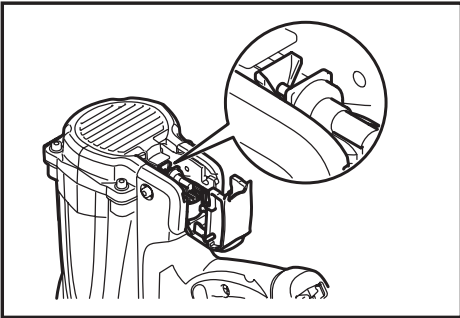


Fig.10

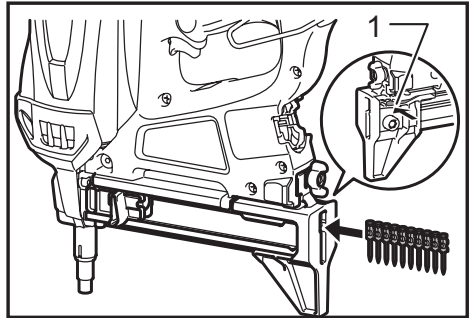


Fig.14

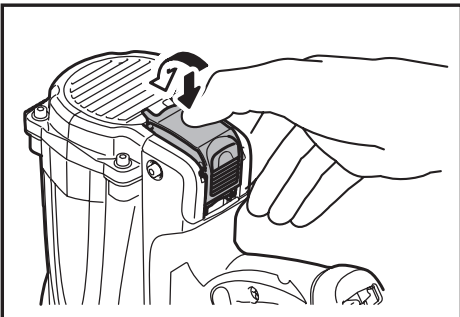


Fig.11

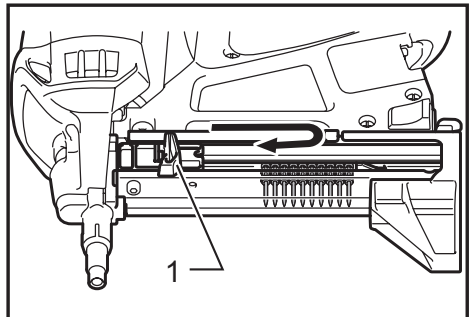


Fig.15

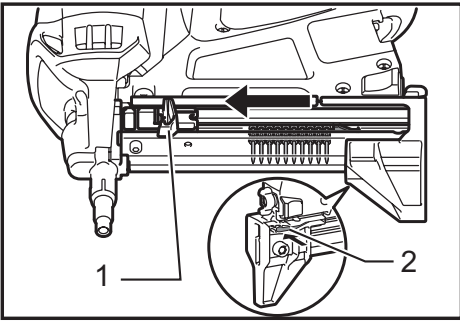


Fig.16

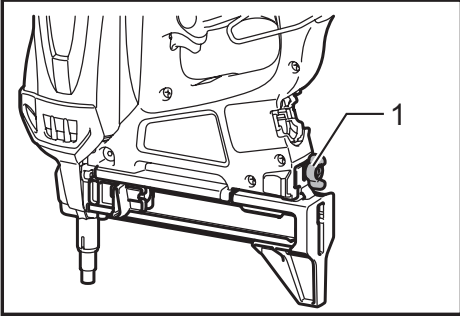


Fig.17

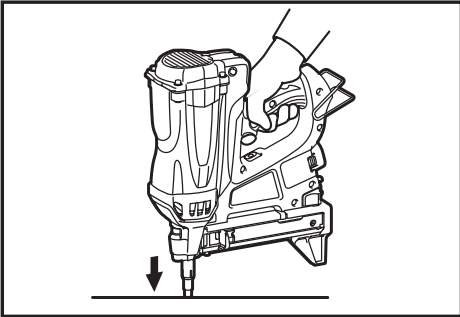


Fig.18

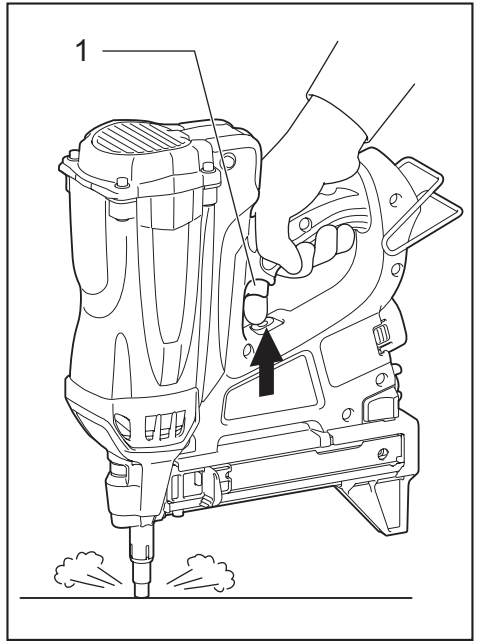


Fig.19

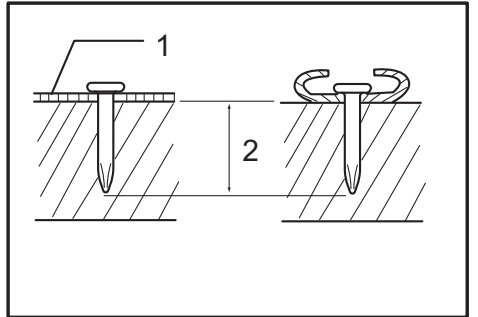


Fig.20

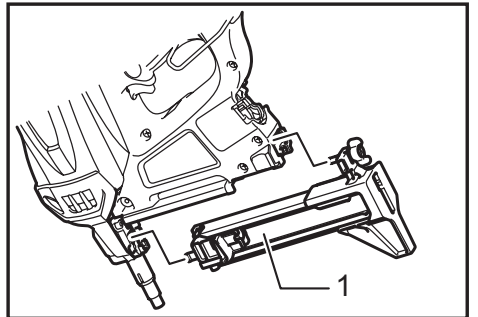


Fig.21

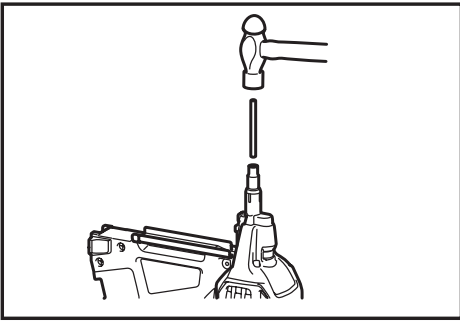


Fig.22

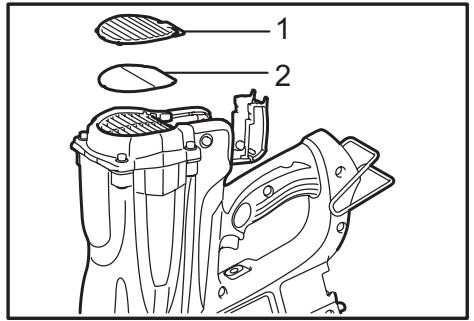


Fig.26

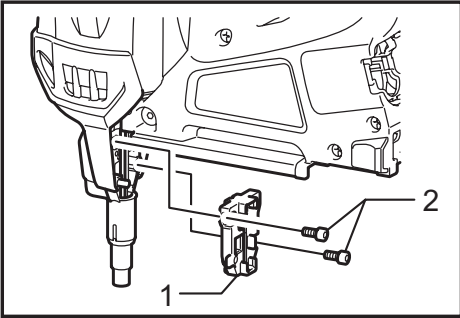


Fig.23

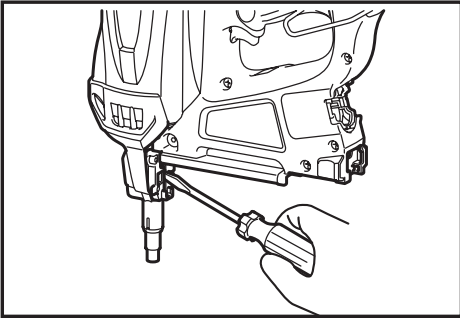


Fig.24

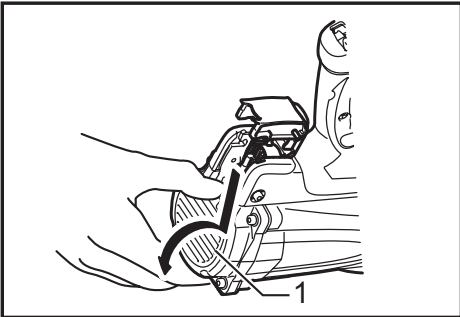


Fig.25












SPECIFICATIONS

Model	GN420C	
Nail capacity	20 nails (2strips)	40 nails (4strips)
Dimensions (L X W X H)	315 mm X 108 mm X 390 mm	430 mm X 108 mm X 390 mm
Net weight	3.6 kg	3.8 kg
Nail length X Shank diameter	Nail L : 15 mm - 40 mm d : 2.6 mm - 3.1 mm	
Rated voltage	D.C. 7.2 V	

- Due to our continuing program of research and development, the specifications herein are subject to change without notice.
- Specifications and battery cartridge may differ from country to country.

Symbols

The following show the symbols used for the equipment. Be sure that you understand their meaning before use.

	Read instruction manual.
	Container under pressure, keep away from temperatures over 50°C (for ex. sun radiation) Keep container in a well ventilated place.
	Use only outside or well ventilated rooms. Do not breathe gas.
	Do not use near flames or sprays on heated surfaces. In use, may form flammable/explosive vapour-air mixture.
	Do not damage, puncture or burn even after use.
	Wear safety glasses.
	Wear ear protection.
	Keep fingers away from trigger when not driving fasteners to avoid accidental firing.
	Use only in ventilated area to avoid nausea and unconsciousness. Never use tool in combustible atmospheres. The tool exhaust may ignite flammable materials.
	Do not use on scaffoldings, ladders.
	Warning: hot surface! Do not touch around this symbol. Touching the surface may cause burns or injuries.



Only for EU countries
Do not dispose of electric equipment or battery pack together with household waste material! In observance of the European Directives, on Waste Electric and Electronic Equipment and Batteries and Accumulators and Waste Batteries and Accumulators and their implementation in accordance with national laws, electric equipment and batteries and battery pack(s) that have reached the end of their life must be collected separately and returned to an environmentally compatible recycling facility.

Intended use

The tool is intended for securing a thin steel plate to the concrete.

Noise

The typical A-weighted noise level determined according to EN ISO 11148-13:

Sound pressure level (L_{pA}) : 96 dB (A)

Sound power level (L_{WA}) : 100 dB (A)

Uncertainty (K) : 3 dB (A)

Wear ear protection

Vibration

The vibration total value determined according to EN ISO 11148-13:

Vibration emission (a_h) : 3.5 m/s²

Uncertainty (K) : 1.5 m/s²

NOTE: The declared vibration emission value has been measured in accordance with the standard test method and may be used for comparing one tool with another.

NOTE: The declared vibration emission value may also be used in a preliminary assessment of exposure.

WARNING: The vibration emission during actual use of the power tool can differ from the declared emission value depending on the ways in which the tool is used.

WARNING: Be sure to identify safety measures to protect the operator that are based on an estimation of exposure in the actual conditions of use (taking account of all parts of the operating cycle such as the times when the tool is switched off and when it is running idle in addition to the trigger time).

EC Declaration of Conformity

For European countries only

The EC declaration of conformity is included as Annex A to this instruction manual.

Gas nailer safety warnings

⚠ WARNING: Read all safety warnings and all instructions. Failure to follow the warnings and instructions may result in serious injury, electric shock and/or fire.

Save all warnings and instructions for future reference.

For personal safety and proper operation and maintenance of the tool, read this instruction manual before using the tool.

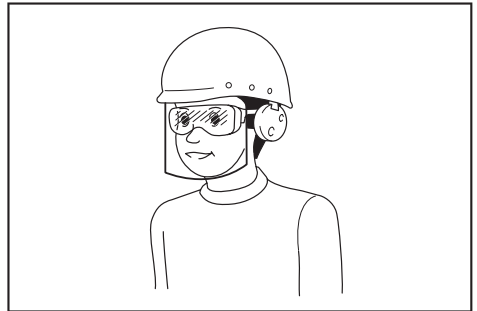
General safety

1. Any other use except for intended use of this tool is forbidden. Fastener driving tools with continual contact actuation or contact actuation shall only be used for production applications.
2. Keep fingers away from trigger when not operating this tool and when moving from one operating position to another.
3. Multiple hazards. Read and understand the safety instructions before connecting, disconnecting, loading, operating, maintaining, changing accessories on, or working near the tool. Failure to do so can result in serious bodily injury.
4. Keep all body parts such as hands and legs etc. away from firing direction and ensure fastener cannot penetrate workpiece into parts of the body.
5. When using the tool, be aware that the fastener could deflect and cause injury.
6. Hold the tool with a firm grasp and be prepared to manage recoil.
7. Only technically skilled operators should use the fastener driving tool.
8. Do not modify the fastener driving tool. Modifications may reduce the effectiveness of safety measures and increase the risks to the operator and/or bystander.
9. Do not discard the instruction manual.
10. Do not use a tool if the tool has been damaged.
11. Be careful when handling fasteners, especially when loading and unloading, as the fasteners have sharp points which could cause injury.
12. Always check the tool before use for broken, misconnected or worn parts.
13. Do not overreach. Only use in a safe working place. Keep proper footing and balance at all times.
14. Keep bystanders away (when working in an area where there is a likelihood of through traffic of people). Clearly mark off your operating area.
15. Never point the tool at yourself or others.
16. Do not rest your finger on the trigger when picking up the tool, moving between operating areas and positions or walking, as resting finger on trigger can lead to inadvertent operation. For tools with selective actuation, always check the tool before use to ascertain the correct mode is selected.

17. Only wear gloves that provide adequate feel and safe control of triggers and any adjusting devices.
18. When resting the tool, lay it down on the flat surface. If you use the hook equipped with the tool, hook the tool securely on the stable surface.
19. Do not operate when under the influence of alcohol, drugs or the like.

Projectile hazards

1. The fastener driving tool shall be disconnected when unloading fasteners, making adjustments, clearing jams or changing accessories.
2. During operation be careful that fasteners penetrate material correctly and cannot be deflected/misfired towards operator and/or any bystanders.
3. During operation, debris from workpiece and fastening/collation system may be discharged.
4. Always wear protective goggles to protect your eyes from injury when using power tools. The goggles must comply with ANSI Z87.1 in the USA, EN 166 in Europe, or AS/NZS 1336 in Australia/New Zealand. In Australia/New Zealand, it is legally required to wear a face shield to protect your face, too.



It is an employer's responsibility to enforce the use of appropriate safety protective equipments by the tool operators and by other persons in the immediate working area.

5. The risks to others shall be assessed by the operator.
6. Be careful with tools without workpiece contact as they can be fired unintentionally and injure operator and/or bystander.
7. Ensure tool is always safely engaged on the workpiece and cannot slip.
8. Wear hearing protection to protect your ears against exhaust noise and head protection. Also wear light but not loose clothing. Sleeves should be buttoned or rolled up. No necktie should be worn.

Operating hazards

1. Hold the tool correctly: be ready to counteract normal or sudden movements such as recoil.
2. Maintain a balanced body position and secure footing.
3. Appropriate safety glasses shall be used and appropriate gloves and protective clothing are recommended.
4. Appropriate hearing protection shall be worn.
5. Use the correct energy supply as directed in the instruction manual.

6. **Do not use the tool on moving platforms or back of trucks.** Sudden movement of the platform may lose control of the tool and cause injury.
7. **Always assume that the tool contains fasteners.**
8. **Do not rush the job or force the tool. Handle the tool carefully.**
9. **Watch your footing and maintain your balance with the tool.** Make sure there is no one below when working in high locations.
10. **On rooftops and other high locations, drive fasteners as you move forward.** It is easy to lose your footing if you drive fasteners while inching backward. When driving fasteners against perpendicular surface, work from the top to the bottom. You can perform driving operations with less fatigue by doing so.
11. **A fastener will be bent or the tool can become jammed if you mistakenly drive fastener on top of another fastener or strike a knot in the wood.** The fastener may be thrown and hit someone, or the tool itself can react dangerously. Place the fasteners with care.
12. **Never attempt to drive fasteners from both the inside and outside at the same time.** Fasteners may rip through and/or fly off, presenting a grave danger.

Repetitive motions hazards

1. **When using a tool for long periods, the operator may experience discomfort in the hands, arms, shoulders, neck, or other parts of the body.**
2. **While using a tool, the operator should adopt a suitable but ergonomic posture. Maintain secure footing and avoid awkward or off-balanced postures.**
3. **If the operator experiences symptoms such as persistent or recurring discomfort, pain, throbbing, aching, tingling, numbness, burning sensation, or stiffness, do not ignore these warning signs. The operator should consult a qualified health professional regarding overall activities.**
4. **The continuous use of the tool may cause repetitive strain injury due to recoil produced by the tool.**
5. **To avoid repetitive strain injury, the operator should not overreach or use excessive force. Additionally, the operator should take a rest when feeling fatigue.**
6. **Conduct a risk assessment regarding repetitive motion hazards. It should focus on muscular-skeletal disorders and be preferentially based on the assumption that decreasing fatigue during work is effective in reducing disorders.**

Accessory and consumable hazards

1. **Remove the gas container and battery before changing/replacing accessories such as workpiece contact, or making any adjustments.**
2. **Use only the sizes and types of accessories that are provided by the manufacturer.**
3. **Use only lubricants recommended in this manual.**

Workplace hazards

1. **Slips, trips and falls are major causes of workplace injury. Be aware of slippery surfaces caused by use of the tool and also of trip hazards caused by the air line hose.**

2. **Proceed with additional care in unfamiliar surroundings. Hidden hazards may exist, such as electricity or other utility lines.**
3. **This tool is not intended for use in potentially explosive atmospheres and is not insulated from coming into contact with electric power.**
4. **Make sure there are no electrical cables, gas pipes etc. that could cause a hazard if damaged by use of the tool.**
5. **Keep work area clean and well lit.** Cluttered or dark areas invite accidents.
6. **There may be local regulations concerning noise which must be complied with by keeping noise levels within prescribed limits. In certain cases, shutters should be used to contain noise.**

Dust and exhaust hazards

1. **Always check your surroundings. The exhaust from the tool may blow dust or objects and hit operator and/or bystanders.**
2. **Direct the exhaust so as to minimize disturbance of dust in a dust filled environment.**
3. **If dust or objects are emitted in the work area, reduce the emission as much as possible to reduce the health hazards and risk of injury.**

Noise hazards

1. **Unprotected exposure to high noise levels can cause permanent, disabling, hearing loss and other problems such as tinnitus (ringing, buzzing, whistling or humming in the ears).**
2. **Conduct a risk assessment regarding noise hazards in the work area and implement appropriate controls for these hazards.**
3. **Appropriate controls to reduce the risk may include actions such as damping materials to prevent workpieces from "ringing".**
4. **Use appropriate hearing protection.**
5. **Operate and maintain the tool as recommended in these instructions, to prevent an unnecessary increase in noise levels.**
6. **Take noise reduction measures, for example placing workpieces on sound damping supports.**

Vibration hazards

1. **The vibration emission during operation depends on the gripping force, the contact pressure force, the working direction, the adjustment of energy supply, the workpiece, the workpiece support. Conduct a risk assessment regarding vibration hazards and implement appropriate controls for these hazards.**
2. **Exposure to vibration can cause disabling damage to the nerves and blood supply of the hands and arms.**
3. **Wear warm clothing when working in cold conditions, keep your hands warm and dry.**
4. **If you experience numbness, tingling, pain or whitening of the skin in your fingers or hands, seek medical advice from a qualified occupational health professional regarding overall activities.**
5. **Operate and maintain the tool as recommended in these instructions, to prevent an unnecessary increase in vibration levels.**
6. **Hold the tool with a light, but safe, grip because the risk from vibration is generally greater when the grip force is higher.**

Additional safety instructions for gas tools

1. Use the tool only with the Makita genuine gas container.
2. Be careful when using gas tools, as the tool can become hot, affecting grip and control.
3. Gas fastener driving tools shall be used in ventilated spaces.
4. In the case that liquid combustible gas comes into contact with human skin, injuries may occur.
5. Gas containers shall be marked according to the required transport regulation.
6. Handle gas containers carefully and check for damages. Damaged gas containers can explode and cause injury.
7. Read and follow the instructions supplied with the gas container.
8. Ensure combustible materials are not exposed to hot exhaust gases.
9. Do not use gas tools in explosive areas as the sparks generated in the tool may cause fire or explosion.
10. Gas containers should not be stored carelessly or at high temperature. Follow the local regulations and gas container's instructions for handling and disposal of gas containers and batteries or accumulators.
11. For gas tools, a small release of gas might be generated by regular operations.

Battery tool use and care

1. Recharge only with the charger specified by the manufacturer. A charger that is suitable for one type of battery pack may create a risk of fire when used with another battery pack.
2. Use power tools only with specifically designated battery packs. Use of any other battery packs may create a risk of injury and fire.
3. When battery pack is not in use, keep it away from other metal objects, like paper clips, coins, keys, nails, screws or other small metal objects, that can make a connection from one terminal to another. Shorting the battery terminals together may cause burns or a fire.
4. Under abusive conditions, liquid may be ejected from the battery; avoid contact. If contact accidentally occurs, flush with water. If liquid contacts eyes, additionally seek medical help. Liquid ejected from the battery may cause irritation or burns.
5. Do not use a battery pack or tool that is damaged or modified. Damaged or modified batteries may exhibit unpredictable behaviour resulting in fire, explosion or risk of injury.
6. Do not expose a battery pack or tool to fire or excessive temperature. Exposure to fire or temperature above 130 °C may cause explosion.
7. Follow all charging instructions and do not charge the battery pack or tool outside the temperature range specified in the instructions. Charging improperly or at temperatures outside the specified range may damage the battery and increase the risk of fire.

Safety devices

1. Make sure all safety systems are in working order before operation. The tool must not operate if only the trigger is pulled or if only the contact arm is pressed against the wood. It must work only when both actions are performed. Test for possible faulty operation with fasteners unloaded and the pusher in fully pulled position.
2. Securing the trigger in the ON position is very dangerous. Never attempt to fasten the trigger.
3. Do not attempt to keep the contact element depressed with tape or wire. Death or serious injury may occur.
4. Always check contact element as instructed in this manual. Fasteners may be driven accidentally if the safety mechanism is not working correctly.

Service

1. Perform cleaning and maintenance right after finishing the job. Keep the tool in tip-top condition. Lubricate moving parts to prevent rusting and minimize friction-related wear. Wipe off all dust from the parts.
2. Ask Makita authorized service center for periodical inspection of the tool.
3. To maintain product SAFETY and RELIABILITY, maintenance and repairs should be performed by Makita Authorized Service Centers, always using Makita replacement parts.
4. Follow local regulations when disposing of the tool.

SAVE THESE INSTRUCTIONS.

⚠WARNING: DO NOT let comfort or familiarity with product (gained from repeated use) replace strict adherence to safety rules for the subject product. MISUSE or failure to follow the safety rules stated in this instruction manual may cause serious personal injury.

Important safety instructions for battery cartridge

1. Before using battery cartridge, read all instructions and cautionary markings on (1) battery charger, (2) battery, and (3) product using battery.
2. Do not disassemble battery cartridge.
3. If operating time has become excessively shorter, stop operating immediately. It may result in a risk of overheating, possible burns and even an explosion.
4. If electrolyte gets into your eyes, rinse them out with clear water and seek medical attention right away. It may result in loss of your eyesight.
5. Do not short the battery cartridge:
 - (1) Do not touch the terminals with any conductive material.
 - (2) Avoid storing battery cartridge in a container with other metal objects such as nails, coins, etc.
 - (3) Do not expose battery cartridge to water or rain.

A battery short can cause a large current flow, overheating, possible burns and even a breakdown.

6. Do not store the tool and battery cartridge in locations where the temperature may reach or exceed 50 °C (122 °F).
7. Do not incinerate the battery cartridge even if it is severely damaged or is completely worn out. The battery cartridge can explode in a fire.
8. Be careful not to drop or strike battery.
9. Do not use a damaged battery.
10. The contained lithium-ion batteries are subject to the Dangerous Goods Legislation requirements. For commercial transports e.g. by third parties, forwarding agents, special requirement on packaging and labeling must be observed. For preparation of the item being shipped, consulting an expert for hazardous material is required. Please also observe possibly more detailed national regulations. Tape or mask off open contacts and pack up the battery in such a manner that it cannot move around in the packaging.
11. When disposing the battery cartridge, remove it from the tool and dispose of it in a safe place. Follow your local regulations relating to disposal of battery.
12. Use the batteries only with the products specified by Makita. Installing the batteries to non-compliant products may result in a fire, excessive heat, explosion, or leak of electrolyte.
13. If the tool is not used for a long period of time, the battery must be removed from the tool.

SAVE THESE INSTRUCTIONS.

CAUTION: Only use genuine Makita batteries. Use of non-genuine Makita batteries, or batteries that have been altered, may result in the battery bursting causing fires, personal injury and damage. It will also void the Makita warranty for the Makita tool and charger.

Tips for maintaining maximum battery life

1. Charge the battery cartridge before completely discharged. Always stop tool operation and charge the battery cartridge when you notice less tool power.
2. Never recharge a fully charged battery cartridge. Overcharging shortens the battery service life.
3. Charge the battery cartridge with room temperature at 10 °C - 40 °C (50 °F - 104 °F). Let a hot battery cartridge cool down before charging it.

Overview of the nailer

- Fig.1: 1. Fuel cover 2. Trigger 3. Magazine 4. Pusher lever 5. Pusher button 6. Contact element 7. Exhaust vent 8. Lamp 9. Indicating lamp 10. Battery cartridge

FUNCTIONAL DESCRIPTION

CAUTION:

- Always be sure to remove the fuel cell, the battery cartridge and nails before adjusting or checking function on the tool.

Installing or removing battery cartridge

CAUTION:

- Always switch off the tool before installing or removing of the battery cartridge.
- **Hold the tool and the battery cartridge firmly when installing or removing battery cartridge.** Failure to hold the tool and the battery cartridge firmly may cause them to slip off your hands and result in damage to the tool and battery cartridge and a personal injury.

► Fig.2: 1. Battery cartridge

To install the battery cartridge, hold it so that the battery cartridge front shape fits to that of the battery installment opening and slip it into place. Insert it all the way until it locks in place with a little click.

► Fig.3: 1. Battery cartridge 2. Button

To remove the battery cartridge, withdraw it from the tool while pressing the both sides of the cartridge.

CAUTION:

- Always insert the battery cartridge all the way until it locks in place. If not, it may accidentally fall out of the tool, causing injury to you or someone around you.
- Do not install the battery cartridge forcibly. If the cartridge does not slide in easily, it is not being inserted correctly.

Lighting up the lamp

CAUTION:

- Do not look in the light or see the source of light directly.

► Fig.4: 1. Lamp button

To switch on the Lamp, press the lamp button. To switch off the lamp, press the lamp button again.

Fuel cell

Attaching the metering valve to the fuel cell

► Fig.5: 1. Metering valve 2. Cap

Detach the cap (in case the metering valve is provided with the cap).

► Fig.6

Push in the front edge.

► Fig.7

Push in the rear edge until it seats.

Inserting the fuel cell

► Fig.8

Push up and pull the fuel cover to open.

► Fig.9: 1. Jet nozzle

Insert the fuel cell directing the jet nozzle of the metering valve toward the adaptor.

► Fig.10

Insert the jet nozzle into the small hole of the adapter properly.

► Fig.11

Put the fuel cover over the metering valve and push it down to latch.

Adjusting the nailing depth

⚠ CAUTION:

- Remove the fuel cell, the battery cartridge and nails before adjusting the depth of nailing.

► Fig.12: 1. Adjuster

To get shallower depth, turn the adjuster to right direction as shown in the figure. To get deeper depth, turn the adjuster to left direction.

Do not turn the adjuster too much, or the adjuster may get stuck.

Indication lamp

Color of the indication lamp means the followings.

Blinking green: Normal status

Blinking red: Need to recharge the battery cartridge

Lighting-up-red: Recharge the battery cartridge.

Nailing cannot be performed due to no remaining battery capacity.

Blinking orange: Thoroughly cleaning is recommended. Refer to the section "MAINTENANCE" to clean inside of the tool thoroughly. To reset the orange blinking of the indicator lamp, push the contact element for five seconds, and then push the contact element five times.

Blinking orange after blinking green and red alternately: Fault detection is running. Remove and reinsert the battery cartridge to reset. If fault detection is running again, it is malfunction condition. Ask your local Makita service center to repair it.

Hook

⚠ CAUTION: Always remove the battery when hanging the tool. Do not hang the tool to your belt.

► Fig.13: 1. Hook

The hook is convenient for hanging the tool temporarily. The hook can be set in two positions according to where the tool will be hung.

To change the hook position, push its feet in from both sides and shift to another position.

ASSEMBLY

⚠ CAUTION:

- Always remove the fuel cell and the battery cartridge before carrying out any work on the tool.

Loading the nailer

► Fig.14: 1. Button

Insert a strip of nails into the slit in the rear of the magazine. The nails stop at the entrance of the magazine because of the nail stopper. Unlock the magazine by pressing the button of the nail stopper to insert the nails.

► Fig.15: 1. Pusher lever

Pull the pusher lever with pressing the pusher button all the way to the rear of the magazine. Then release the pusher button, and return the pusher lever to the end of the strip gently.

Removing nails

► Fig.16: 1. Pusher lever 2. Nail stopper

Pull the pusher lever and push the pusher button to release the nail supporter, and then return the pusher lever to the top with pushing the pusher button.

Slide the nails toward the rear of the magazine. The nails stop at the entrance of the magazine because of the nail stopper. Unlock the magazine by pressing the button of the nail stopper to remove the nails.

Changing the magazine (optional accessory)

► Fig.17: 1. Bolt

A magazine with different length is available as optional accessory.

To change the magazine, loosen the bolt and remove the magazine. Then install the new magazine. And fasten the bolt on the magazine.

OPERATION

⚠ WARNING:

- **Do not touch around the exhaust vent.** The surface will be very hot during or after an operation. Touching around the exhaust vent may cause burns or injuries.

⚠ CAUTION:

- Make sure all safety systems are in working order before operation.

Checking proper action before operation

Before operation, always check following points.

- Make sure that the tool does not operate only by installing the battery cartridge and fuel cell.
- Make sure that the tool does not operate only by pulling the trigger.

- Make sure that the tool does not operate only by placing the contact element against the workpiece without pulling the trigger.
- Make sure that the tool does not operate when pulling the trigger first and then placing the contact element against the workpiece.

Driving nails

► Fig.18

1. To drive a nail, place the contact element against the workpiece.
The fan motor is activated, fuel gas is injected into combustion chamber and mixed with air by the fan.

► Fig.19: 1. Trigger

2. Hold the contact element pressing firmly and pull the trigger.
Fuel gas is combusted and the nail is driven.
3. Further driving can be initiated only after both the contact element and the trigger are released.

Nail-driving of concrete

⚠ **WARNING:**

- Use hardened nails only for concrete. Using other purposed nails may cause serious injuries. Do not nail directly on the concrete. Failure to do so may cause concrete fragments to fly off or nails to strike back, causing serious injuries.
- When driving nails, hold the tool so that it stands upright to the driving surface. Slanted nail-driving may cause concrete fragments to fly off or nails to strike back, causing serious injuries.
- Do not use the tool on the surface that objects hang from, such as area where hangers for sewer pipe, dust pipe etc. are set up

⚠ **CAUTION:**

- Use this tool only for soft concrete built up not so long before. Using on the hard concrete may cause nail bending or nail-driving to insufficient depth.
- When the penetration amount into concrete is required more than 20 mm, driving nails to the sufficient length may not be obtained. Nails may be driven too shallow causing unstable workpiece, resulting in personal injury and damage to property.
- When driving nail directly onto hard surfaces such as steel and concrete, press the contact element firmly against the workpiece to prevent slipping.

Choose and use appropriate nails so that the penetration amount into concrete ranges 15 mm - 20 mm.

- **Fig.20:** 1. Thin steel plate 2. Penetration amount into concrete

Anti dry fire mechanism

This mechanism prevents the tool from firing without nail. Dry fire prevention automatically functions when the rest of nails get to the last 2-3 pieces.

Jammed nailer

⚠ **WARNING:**

- Always be sure to remove the fuel cell and the battery cartridge before clearing a jam.

⚠ **CAUTION:**

- Do not use deformed nails or nail strip. Failure to do so causes poor nail feeding.

Follow the removing nail procedure and remove the jammed nails.

► **Fig.21:** 1. Magazine

Remove the fuel cell, the battery cartridge and nails. Loosen the bolt on the magazine. Remove the magazine and remove the jammed nails.

► **Fig.22**

If the nails cannot be removed after performing above method, do as follows.

Insert a small rod or the like into the ejection port and tap it with a hammer to drive out the jammed nails from the ejection port.

► **Fig.23:** 1. Under driver guide 2. Bolt

► **Fig.24**

If the nails still remain in the ejection port, do as follows. Loosen the bolts on the ejecting port by using a hex wrench. Remove the under driver guide. And remove the jammed nails. Return the under driver guide and tighten the bolts after the jammed nails are removed. Return the magazine and tighten the bolt.

MAINTENANCE

⚠ **CAUTION:**

- Always remove the fuel cell, the battery cartridge and nails before attempting to perform inspection or maintenance.
- Never use gasoline, benzene, thinner, alcohol or the like. Discoloration, deformation or cracks may result.

Maintenance after daily work

Always check the tool for its overall condition and loose screws before operation. Tighten as required. At the end of daily work, conduct an end-of-workday routine. These simple steps are based on maintaining the safety and performance of the tool.

Before leaving the work site:

- Remove the battery cartridge and store in a tool-carrying case. Always use the tool-carrying case for transporting and storing the tool.
- Dispose of all empty cells where they will not be found by children, crushed, punctured or burned.

When you get home:

- Place the battery cartridge in its charger if it needs charging as indicated by the red indication lamp.
- Wipe the tool with a clean, soft cloth.
- Check the filter and clean if it is dusty.

Cleaning the air filter

► **Fig.25:** 1. Filter cover

► **Fig.26:** 1. Filter cover 2. Filter

Press slightly up the filter cover and remove it. And then simply lift out the filter.

Tap the filter lightly to remove any dust. Soap and water restores the filter to an almost new condition.

To maintain product SAFETY and RELIABILITY, repairs, any other maintenance or adjustment should be performed by Makita Authorized Service Centers, always using Makita replacement parts.

Thoroughly cleaning

If dry fires occur frequently, which means the tool is needed to be cleansed thoroughly.

See the accompanying cleaning guide for detail, and perform the cleaning.

If you have any questions regarding to cleaning, please ask your local Makita Service Center.

OPTIONAL ACCESSORIES

⚠ CAUTION:

- These accessories or attachments are recommended for use with your Makita tool specified in this manual. The use of any other accessories or attachments might present a risk of injury to persons. Only use accessory or attachment for its stated purpose.

If you need any assistance for more details regarding these accessories, ask your local Makita Service Center.

- Nails
- Magazine
- Safety goggles
- Fuel cell
- Cleaning kit
- Makita genuine battery and charger

NOTE:

- Some items in the list may be included in the tool package as standard accessories. They may differ from country to country.

SPÉCIFICATIONS

Modèle	GN420C	
Capacité en clous	20 clous (2 bandes)	40 clous (4 bandes)
Dimensions (L x P x H)	315 mm x 108 mm x 390 mm	430 mm x 108 mm x 390 mm
Poids net	3,6 kg	3,8 kg
Longueur de clou x diamètre de tige	L clou : 15 mm - 40 mm d : 2,6 mm - 3,1 mm	
Tension nominale	7,2 V CC	

- En raison de notre programme continu de recherche et développement, les spécifications contenues dans ce manuel sont susceptibles d'être modifiées sans préavis.
- Les spécifications et la batterie peuvent être différentes suivant les pays.

Symboles

Les symboles utilisés pour l'outil sont indiqués ci-dessous. Assurez-vous d'avoir bien compris leur signification avant d'utiliser l'outil.

	Lire le mode d'emploi.
	Récipient sous pression, conserver à l'écart de températures supérieures à 50 °C (par exemple, le rayonnement solaire). Conserver le récipient dans un endroit bien aéré.
	Utiliser uniquement à l'extérieur ou dans une pièce bien aérée. Ne pas inhaler le gaz.
	Ne pas utiliser à proximité de flammes ou de vaporisateurs sur des surfaces chauffées. Lors de l'utilisation, formation possible d'un mélange vapeur-air inflammable/explosif.
	Ne pas endommager, percer ou brûler même après utilisation.
	Porter des lunettes de protection.
	Portez un dispositif de protection auditive.
	Éloigner les doigts de la gâchette lorsqu'on n'enfoncé pas de fixations pour éviter une éjection accidentelle.
	Utiliser uniquement dans un endroit aéré pour éviter nausées et évanouissement. Ne jamais utiliser l'outil dans une atmosphère combustible. L'échappement de l'outil peut enflammer les matériaux inflammables.
	Ne pas utiliser sur un échafaudage ou une échelle.
	Avertissement : surface chaude ! Ne pas toucher autour de ce symbole. Brûlures ou blessures possibles en cas de contact avec la surface.



Pour les pays de l'Union européenne uniquement
Ne pas jeter les appareils électriques ou les batteries avec les ordures ménagères ! Conformément aux directives européennes relatives aux déchets d'équipements électriques et électroniques et aux piles et accumulateurs ainsi qu'aux déchets de piles et d'accumulateurs et leur mise en œuvre conformément aux lois nationales, les équipements électriques, les piles et les batteries en fin de vie doivent faire l'objet d'une collecte sélective et être confiés à une usine de recyclage respectueuse de l'environnement.

Utilisations

L'outil est conçu pour fixer une tôle fine au béton.

Bruit

Le niveau de bruit pondéré A typique a été mesuré conformément à EN ISO 11148-13 :

Niveau de pression sonore (L_{pA}) : 96 dB(A)
Niveau de puissance sonore (L_{WA}) : 100 dB(A)
Incertitude (K) : 3 dB(A)

Portez une protection auditive

Vibrations

Valeur totale de vibrations déterminée selon EN ISO 11148-13 :

Émission de vibrations (a_{hv}) : 3,5 m/s²
Incertitude (K) : 1,5 m/s²

NOTE : La valeur de l'émission des vibrations déclarée a été mesurée conformément à la méthode de test standard et peut être utilisée afin de comparer des outils entre eux.

NOTE : La valeur de l'émission des vibrations déclarée peut également être utilisée lors d'une évaluation préliminaire de l'exposition.

⚠️ AVERTISSEMENT : Selon la manière dont l'outil est utilisé, il est possible que l'émission des vibrations pendant l'utilisation réelle de l'outil électrique diffère de la valeur de l'émission déclarée.

⚠️ AVERTISSEMENT : Veillez à identifier les mesures de sécurité destinées à protéger l'opérateur et établies à partir de l'estimation de l'exposition dans les conditions réelles d'utilisation (en prenant en compte toutes les étapes du cycle de fonctionnement, telles que les périodes de mise hors tension de l'outil, les périodes de fonctionnement au ralenti et les périodes de mise en route).

Déclaration de conformité CE

Pour les pays européens uniquement

La déclaration de conformité CE est fournie en Annexe A à ce mode d'emploi.

Consignes de sécurité pour cloueuse à gaz

⚠️ AVERTISSEMENT : Lisez toutes les consignes de sécurité et toutes les instructions. Ignorer les avertissements et les instructions peut entraîner de graves blessures, une électrocution et/ou un incendie.

Conservez toutes les mises en garde et instructions pour référence ultérieure.

Pour votre propre sécurité et pour un fonctionnement et un entretien adéquats de l'outil, veuillez lire ce mode d'emploi avant d'utiliser l'outil.

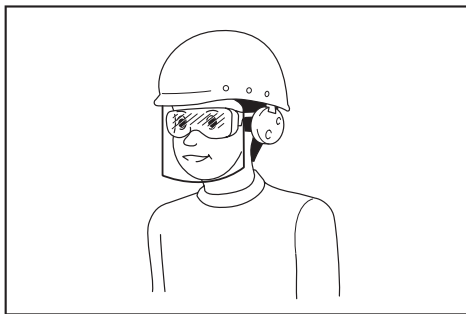
Sécurité générale

1. Toute autre utilisation que celle prévue pour cet outil est interdite. Les outils destinés à enfoncer des fixations avec commande par contact en continu ou commande par contact ne doivent être utilisés que pour les applications productiques.
2. Éloignez les doigts de la gâchette lorsque vous n'utilisez pas l'outil et lorsque vous vous déplacez d'un point à un autre.
3. Risques multiples. Lisez et comprenez les consignes de sécurité avant de brancher, débrancher, charger, utiliser, entretenir l'outil ou de changer des accessoires ou travailler à proximité de l'outil. Le non-respect de cette consigne peut entraîner de graves blessures corporelles.
4. Éloignez les parties du corps comme les mains ou les jambes du sens d'éjection des fixations et assurez-vous qu'elles ne peuvent pas pénétrer par la pièce dans des parties de votre corps.
5. Lorsque vous utilisez l'outil, soyez conscient que la fixation peut dévier et vous blesser.
6. Maintenez fermement l'outil et soyez prêt à affronter un mouvement de recul.

7. Seuls les utilisateurs aux compétences techniques avancées doivent utiliser un outil destiné à enfoncer des fixations.
8. Ne modifiez pas un outil destiné à enfoncer des fixations. Les modifications peuvent réduire l'efficacité des mesures de sécurité et augmenter les risques pour l'utilisateur et/ou les badauds.
9. Ne jetez pas le manuel d'instructions.
10. N'utilisez pas l'outil s'il est endommagé.
11. Prenez garde lorsque vous manipulez des fixations, particulièrement lors de leur insertion et retrait, étant donné qu'elles présentent des bouts pointus susceptibles de vous blesser.
12. Inspectez toujours l'outil avant de l'utiliser pour s'assurer qu'il n'a pas de pièces cassées, mal branchées ou usées.
13. Ne vous penchez pas trop loin. N'utilisez l'outil que dans un lieu de travail sécuritaire. Maintenez constamment une bonne assise et un bon équilibre.
14. Écartez les badauds (lorsque vous travaillez dans un endroit au flux incessant de personnes). Marquez clairement votre zone de travail.
15. Ne dirigez jamais l'outil vers vous-même ou quelqu'un d'autre.
16. Ne posez pas le doigt sur la gâchette lorsque vous ramassez l'outil, vous déplacez d'une zone ou position de travail à une autre ou en marchant, étant donné que cela peut entraîner un déclenchement inopiné. Pour les outils avec commande sélective, inspectez toujours l'outil avant utilisation afin de vous assurer que le bon mode est sélectionné.
17. Portez uniquement des gants garantissant une sensation adéquate et une maîtrise sûre des gâchettes et de tout autre dispositif de réglage.
18. Lorsque vous posez l'outil, placez-le sur une surface plane. Si vous utilisez le crochet prévu sur l'outil, accrochez solidement l'outil à une surface stable.
19. N'utilisez pas l'outil si vous avez consommé de l'alcool, des drogues ou des médicaments, etc.

Risques de projection

1. Un outil destiné à enfoncer des fixations doit être débranché lorsque vous retirez les fixations, effectuez des réglages, enlevez les fixations coincées ou changez d'accessoires.
2. Pendant le fonctionnement, assurez-vous que les fixations pénètrent correctement le matériau et ne peuvent pas être déviées ou éjectées en direction de l'utilisateur et/ou des badauds.
3. Pendant le fonctionnement, des débris provenant de la pièce et du système de serrage/collationnement peuvent être expulsés.
4. Pour protéger vos yeux des blessures lorsque vous utilisez un outil électrique, portez toujours des lunettes de protection, lesquelles doivent être conformes à ANSI Z87.1 aux États-Unis, EN 166 en Europe ou AS/NZS 1336 en Australie/Nouvelle-Zélande. En Australie/Nouvelle-Zélande, la loi exige également le port d'un écran facial pour se protéger le visage.



L'employeur est responsable d'imposer le port d'équipements de sécurité appropriés par les utilisateurs de l'outil et par les autres personnes se trouvant à proximité de la zone de travail.

5. Les risques pour autrui doivent être évalués par l'utilisateur.
6. Prenez garde avec les outils sans contact de la pièce, car ils peuvent être déclenchés brusquement et blesser l'utilisateur et/ou les badauds.
7. Assurez-vous que l'outil est toujours bien engagé sur la pièce et ne peut pas glisser.
8. Portez des protège-tympons pour protéger vos oreilles contre le bruit d'échappement et portez un casque de sécurité. En outre, les vêtements portés doivent être légers et ne doivent pas être amples. Boutonnez ou retroussiez vos manches. Ne portez pas de cravate.

Risques liés au fonctionnement

1. Tenez correctement l'outil : soyez prêt à neutraliser des mouvements habituels ou brusques comme un recul.
2. Conservez un bon équilibre général et une bonne assise.
3. Des lunettes de sécurité appropriées doivent être utilisées et il est recommandé de porter des gants et des vêtements de protection adéquats.
4. Portez des protège-tympons adéquats.
5. Utilisez une source d'énergie correcte comme indiqué dans le manuel d'instructions.
6. N'utilisez pas l'outil sur une plateforme mobile ou à l'arrière d'un camion. Un mouvement brusque de la plateforme pourrait vous faire perdre le contrôle de l'outil et vous blesser.
7. Supposez toujours que l'outil contient des vis.
8. Ne travaillez pas trop vite, ni ne forcez l'outil. Manipulez l'outil avec précaution.
9. Regardez où vous posez les pieds et maintenez un bon équilibre pendant l'utilisation de l'outil. Assurez-vous que personne ne se trouve dessous lorsque vous utilisez l'outil en hauteur.
10. Sur les toits et sur d'autres emplacements en hauteur, procédez au vissage tout en avançant. Il est facile de perdre l'équilibre en procédant au vissage en reculant. Si vous procédez au vissage sur une surface perpendiculaire, travaillez de haut en bas. De cette façon, le travail de vissage sera moins fatigant.

11. La vis se pliera ou l'outil peut se bloquer si vous vissez par inadvertance sur une autre vis ou heurtez un nœud dans le bois. La vis peut être projetée et frapper quelqu'un, ou bien l'outil lui-même peut réagir de manière dangereuse. Choisissez l'emplacement des vis avec soin.
12. Ne tentez jamais de visser de l'intérieur et de l'extérieur simultanément. Les vis pourraient se fendre et/ou voler en éclats, ce qui présente un danger grave.

Risques de mouvements répétitifs

1. Lors de l'utilisation d'un outil pendant des périodes prolongées, l'utilisateur peut ressentir une gêne dans les mains, les bras, les épaules, le cou ou d'autres parties du corps.
2. Pendant qu'il se sert d'un outil, l'utilisateur doit adopter une posture à la fois adéquate et ergonomique. Conservez une bonne assise et évitez les postures incommodes ou déséquilibrées.
3. Si vous ressentez des symptômes comme une gêne persistante ou récurrente, une douleur, des palpitations, des courbatures, des fourmillements, un engourdissement, une sensation de brûlure ou une raideur, n'ignorez pas ces signes avant-coureurs. L'utilisateur doit consulter un professionnel des soins de santé qualifié concernant l'ensemble des activités.
4. L'utilisation continue de l'outil peut provoquer des microtraumatismes répétés en raison du recul produit par l'outil.
5. Pour éviter des microtraumatismes répétés, l'utilisateur ne doit pas se pencher trop loin ou utiliser une force excessive. De plus, l'utilisateur doit faire une pause lorsqu'il se sent fatigué.
6. Réalisez une évaluation du risque à propos des dangers liés aux mouvements répétitifs. Elle doit se concentrer sur les troubles musculo-squelettiques et reposer de préférence sur l'hypothèse que la réduction de la fatigue pendant le travail diminue efficacement les troubles.

Risques présentés par les accessoires et les pièces consommables

1. Retirez le réservoir de gaz et la batterie avant de changer/remplacer des accessoires comme un contact de la pièce ou avant d'effectuer des réglages.
2. Utilisez uniquement les tailles et types d'accessoires fournis par le fabricant.
3. Utilisez uniquement les lubrifiants recommandés dans ce manuel.

Risques sur le lieu de travail

1. Glisser, trébucher et tomber sont les principales causes de blessures sur le lieu de travail. Prenez garde aux surfaces glissantes résultant de l'utilisation de l'outil et prenez soin également de ne pas trébucher dans le tuyau de la ligne d'air.
2. Redoublez de précaution dans les environnements inconnus. Des dangers cachés comme les lignes électriques ou d'autres services publics peuvent exister.

3. Cet outil n'est pas conçu pour être utilisé dans des atmosphères potentiellement explosives et n'est pas isolé en cas de contact avec le courant électrique.
4. Assurez-vous qu'il n'y a pas de câbles électriques, de conduites de gaz, etc., présentant un risque s'ils sont endommagés suite à l'utilisation de l'outil.
5. Conservez la zone de travail propre et bien éclairée. Les zones de travail en désordre ou mal éclairées sont propices aux accidents.
6. Il se peut que des réglementations locales s'appliquent concernant les niveaux de bruit permis. Veuillez les respecter. Dans certains cas, des volets doivent être installés pour réduire le bruit.

Risques présentés par la poussière et les dégagements

1. Soyez toujours vigilant à ce qui vous entoure. Le dégagement de l'outil peut souffler de la poussière ou des objets et frapper l'utilisateur et/ou les badauds.
2. Dirigez le dégagement de sorte à minimiser la perturbation des poussières dans un environnement poussiéreux.
3. Si de la poussière ou des objets sont soufflés dans la zone de travail, réduisez autant que possible les émissions pour diminuer les dangers pour la santé et les risques de blessures.

Risques liés au bruit

1. L'exposition non protégée à des niveaux de bruit élevés peut entraîner une perte auditive permanente handicapante et d'autres problèmes comme des acouphènes (tintement, sifflement ou bourdonnement dans les oreilles).
2. Réalisez une évaluation du risque à propos des risques liés au bruit dans la zone de travail et mettez en place des contrôles adéquats pour ces dangers.
3. Des contrôles appropriés pour réduire le risque peuvent inclure des mesures comme des matériaux amortissant pour empêcher les pièces de « tinter ».
4. Utilisez des protège-tympan appropriés.
5. Faites fonctionner et entretenez l'outil comme recommandé dans ces instructions pour éviter une hausse inutile des niveaux de bruit.
6. Prenez des mesures de réduction du bruit, par exemple en plaçant les pièces à travailler sur des supports atténuant le bruit.

Risques liés aux vibrations

1. L'émission de vibration pendant le fonctionnement dépend de la tension d'adhérence, de la force de pression par contact, du sens de travail, du réglage de l'alimentation, de la pièce à travailler et de son support. Réalisez une évaluation du risque à propos des risques liés aux vibrations et mettez en place des contrôles adéquats pour ces dangers.
2. L'exposition à des vibrations peut provoquer des lésions nerveuses handicapantes et nuire à l'approvisionnement en sang des mains et des bras.

3. Portez des vêtements chauds lorsque vous travaillez dans un environnement froid et maintenez vos mains au chaud et au sec.
4. Si vous ressentez un engourdissement, des fourmillements, une douleur ou remarquez un blanchiment de la peau de vos doigts ou mains, demandez conseil à un professionnel des soins de santé qualifié concernant l'ensemble des activités.
5. Faites fonctionner et entretenez l'outil comme recommandé dans ces instructions pour éviter une hausse inutile des niveaux de vibration.
6. Serrez légèrement l'outil en le tenant bien en main, car le risque de vibration est généralement plus important lorsque la force de préhension est plus élevée.

Consignes de sécurité supplémentaires pour outils à gaz

1. Utilisez l'outil uniquement avec le réservoir de gaz Makita d'origine.
2. Prenez garde lorsque vous utilisez un outil à gaz, étant donné que l'outil peut devenir chaud, affectant la prise et la maîtrise.
3. Un outil à gaz destiné à enfoncer des fixations doit être utilisé dans un endroit aéré.
4. Le contact avec la peau du gaz combustible liquide présente un risque de blessure.
5. Un réservoir de gaz doit être marqué conformément à la réglementation des transports maritime.
6. Manipulez avec soin le réservoir de gaz et vérifiez l'absence de dommages. Un réservoir de gaz endommagé peut exploser et provoquer des blessures.
7. Lisez et suivez les instructions accompagnant le réservoir de gaz.
8. Assurez-vous que des matériaux combustibles ne sont pas exposés à des gaz d'échappement chauds.
9. N'utilisez pas un outil à gaz dans un environnement explosif, car les étincelles produites dans l'outil pourraient déclencher un incendie ou une explosion.
10. Un réservoir de gaz ne doit pas être rangé sans précaution ou à une température élevée. Suivez les réglementations locales et les instructions du réservoir de gaz pour la manipulation et l'élimination des réservoirs de gaz et des batteries ou accumulateurs.
11. Un outil à gaz peut dégager une petite quantité de gaz lors d'opérations habituelles.

Utilisation et entretien des outils fonctionnant sur batterie

1. Rechargez la batterie uniquement avec le chargeur spécifié par le fabricant. Un chargeur qui est adapté à un type spécifique de batterie peut présenter un risque d'incendie s'il est utilisé avec un autre type de batterie.
2. Utilisez un outil électrique uniquement avec la batterie spécifiquement indiquée. L'utilisation de toute autre batterie peut présenter un risque de blessure et d'incendie.

3. Lorsque vous n'utilisez pas la batterie, tenez-la à l'écart des objets métalliques, comme des trombones, pièces de monnaie, clés, clous, vis ou autres petits objets métalliques, susceptibles de créer une connexion entre deux bornes. Court-circuiter les bornes d'une batterie entre elles peut provoquer des brûlures ou un incendie.
4. Dans des conditions d'utilisation inadéquate, il peut y avoir une fuite de l'électrolyte de la batterie. Le cas échéant, évitez tout contact avec ce liquide. En cas de contact accidentel, rincez à l'eau. Si le liquide pénètre dans les yeux, consultez par ailleurs un médecin. Le liquide s'échappant de la batterie peut provoquer une irritation ou des brûlures.
5. N'utilisez pas une batterie ou un outil s'ils sont endommagés ou modifiés. Une batterie endommagée ou modifiée peut avoir un comportement imprévisible susceptible d'entraîner un incendie, une explosion ou des blessures.
6. N'exposez pas la batterie ou l'outil au feu ou à une température excessive. L'exposition au feu ou à une température supérieure à 130 °C peut provoquer une explosion.
7. Respectez toutes les instructions de charge et ne chargez pas la batterie ou l'outil en dehors de la plage de température indiquée dans les instructions. Une charge incorrecte ou à une température en dehors de la plage indiquée peut endommager la batterie et augmenter le risque d'incendie.

Dispositifs de sécurité

1. Assurez-vous que tous les systèmes de sécurité sont en état de marche avant d'utiliser l'outil. L'outil ne doit pas fonctionner si vous enclenchez uniquement la gâchette ou si vous appuyez simplement le bras de contact contre le bois. Il ne doit fonctionner que si ces deux actions sont réalisées. Faites un essai pour détecter un possible fonctionnement défectueux en retirant les vis de l'outil et en tirant à fond l'enfonceur.
2. Bloquer la gâchette sur la position marche est très dangereux. N'essayez jamais de serrer la gâchette.
3. N'essayez pas de maintenir en position enfoncée l'élément de contact avec du ruban adhésif ou un fil de fer. Cela présente un risque de blessures graves voire mortelles.
4. Vérifiez toujours l'élément de contact, tel qu'indiqué dans ce manuel. Des vis peuvent être projetées accidentellement si le mécanisme de sécurité ne fonctionne pas correctement.

Dépannage

1. Procédez au nettoyage et à l'entretien juste après avoir terminé la tâche. Maintenez l'outil en parfait état. Lubrifiez les pièces mobiles pour éviter qu'elles ne rouillent et pour limiter l'usure due à la friction. Retirez toute la poussière déposée sur les pièces.
2. Sollicitez une inspection régulière de l'outil auprès d'un centre de service après-vente Makita agréé.

3. Pour conserver la SÉCURITÉ et la FIABILITÉ du produit, l'entretien et les réparations doivent être réalisés par un centre de service après-vente Makita agréé, exclusivement avec des pièces de rechange Makita.
4. Suivez les réglementations locales lors de la mise au rebut de l'outil.

CONSERVEZ CES INSTRUCTIONS.

⚠️ AVERTISSEMENT : NE vous laissez PAS tromper (au fil d'une utilisation répétée) par un sentiment d'aisance et de familiarité avec le produit, en négligeant le respect rigoureux des consignes de sécurité qui accompagnent le produit en question. La MAUVAISE UTILISATION de l'outil ou l'ignorance des consignes de sécurité indiquées dans ce mode d'emploi peut entraîner de graves blessures.

Consignes de sécurité importantes pour la batterie

1. Avant d'utiliser la batterie, lisez toutes les instructions et précautions relatives (1) au chargeur de batterie, (2) à la batterie, et (3) au produit utilisant la batterie.
2. Ne démontez pas la batterie.
3. Cessez immédiatement l'utilisation si le temps de fonctionnement devient excessivement court. Il y a un risque de surchauffe, de brûlures, voire d'explosion.
4. Si l'électrolyte pénètre dans vos yeux, rincez-les à l'eau claire et consultez immédiatement un médecin. Il y a un risque de perte de la vue.
5. Ne court-circuitez pas la batterie :
 - (1) Ne touchez les bornes avec aucun matériau conducteur.
 - (2) Évitez de ranger la batterie dans un conteneur avec d'autres objets métalliques, par exemple des clous, des pièces de monnaie, etc.
 - (3) N'exposez pas la batterie à l'eau ou à la pluie.
 Un court-circuit de la batterie peut provoquer une intensité de courant élevée, une surchauffe, parfois des brûlures et même une panne.
6. Ne rangez pas l'outil et la batterie dans un endroit où la température risque d'atteindre ou de dépasser 50 °C.
7. Ne jetez pas la batterie au feu même si elle est sérieusement endommagée ou complètement épuisée. La batterie peut exploser au contact du feu.
8. Évitez de laisser tomber ou de cogner la batterie.
9. N'utilisez pas la batterie si elle est endommagée.

10. **Les batteries au lithium-ion contenues sont soumises aux exigences de la législation sur les marchandises dangereuses.**
Lors du transport commercial par des tierces parties ou des transitaires par exemple, des exigences spécifiques en matière d'étiquetage et d'emballage doivent être respectées.
Pour la préparation de l'article expédié, il est nécessaire de consulter un expert en matériau dangereux. Veuillez également respecter les réglementations nationales susceptibles d'être plus détaillées.
Recouvrez les contacts exposés avec du ruban adhésif ou du ruban de masquage et emballez la batterie de telle sorte qu'elle ne puisse pas bouger dans l'emballage.
11. **Lors de la mise au rebut de la batterie, retirez-la de l'outil et jetez-la en lieu sûr. Suivez les réglementations locales en matière de mise au rebut des batteries.**
12. **Utilisez les batteries uniquement avec les produits spécifiés par Makita.** L'insertion de batteries dans des produits non conformes peut provoquer un incendie, une chaleur excessive, une explosion ou une fuite de l'électrolyte.
13. **Lorsque vous n'utilisez pas l'outil pendant une période prolongée, la batterie doit être retirée de l'outil.**

CONSERVEZ CES INSTRUCTIONS.

⚠ ATTENTION : N'utilisez que des batteries Makita d'origine. L'utilisation de batteries de marque autre que Makita ou de batteries modifiées peut provoquer l'explosion des batteries, ce qui présente un risque d'incendie, de dommages matériels et corporels. Cela annulera également la garantie Makita pour l'outil et le chargeur Makita.

Conseils pour assurer la durée de vie optimale de la batterie

1. **Chargez la batterie avant qu'elle ne soit complètement déchargée. Arrêtez toujours l'outil et rechargez la batterie quand vous remarquez que la puissance de l'outil diminue.**
2. **Ne rechargez jamais une batterie complètement chargée. La surcharge réduit la durée de service de la batterie.**
3. **Chargez la batterie à une température ambiante comprise entre 10 °C et 40 °C. Avant de charger une batterie chaude, laissez-la refroidir.**

Aperçu du cloueur

- **Fig.1:** 1. Couvercle du carburant 2. Gâchette 3. Magasin 4. Levier-poussoir 5. Bouton-poussoir 6. Élément de contact 7. Orifice de sortie d'air 8. Lampe 9. Voyant lumineux 10. Batterie

DESCRIPTION DU FONCTIONNEMENT

⚠ ATTENTION :

- Assurez-vous toujours de retirer le réservoir de gaz, la batterie et les clous avant d'ajuster ou de vérifier le fonctionnement de l'outil.

Insertion ou retrait de la batterie

⚠ ATTENTION :

- Éteignez toujours l'outil avant de mettre en place ou de retirer la batterie.
- **Tenez fermement l'outil et la batterie lors de la mise en place ou du retrait de la batterie.** Si vous ne tenez pas fermement l'outil et la batterie, ils peuvent vous glisser des mains, et s'abîmer ou vous blesser.

► Fig.2: 1. Batterie

Pour mettre en place la batterie, retirez-la de sorte que la forme avant de la batterie s'insère dans l'ouverture de mise en place de la batterie, puis insérez-la. Insérez-la à fond jusqu'à ce qu'un léger déclic se fasse entendre.

► Fig.3: 1. Batterie 2. Bouton

Pour enlever la batterie, retirez-la de l'outil tout en appuyant sur les deux côtés de la batterie.

⚠ ATTENTION :

- Insérez toujours la batterie à fond jusqu'à ce qu'elle se verrouille en place. Sinon, elle pourrait tomber accidentellement de l'outil, au risque de vous blesser ou de blesser quelqu'un se trouvant à proximité.
- Ne forcez pas pour insérer la batterie. Si elle ne glisse pas facilement, c'est que vous ne l'insérez pas correctement.

Allumage de la lampe

⚠ ATTENTION :

- Évitez de regarder directement le faisceau lumineux ou sa source.

► Fig.4: 1. Bouton de la lampe

Pour allumer la lampe, appuyez sur le bouton de la lampe. Pour éteindre la lampe, appuyez à nouveau sur le bouton de la lampe.

Réservoir de gaz

Fixation du robinet doseur au réservoir de gaz

► Fig.5: 1. Robinet doseur 2. Bouchon

Retirez le bouchon (si le robinet doseur est livré avec un bouchon).

► Fig.6

Enfoncez le bord avant.

► Fig.7

Enfoncez le bord arrière jusqu'à ce qu'il se mette en place.

Insertion du réservoir de gaz

► Fig.8

Poussez vers le haut le couvercle du carburant et tirez pour l'ouvrir.

► Fig.9: 1. Gicleur

Insérez le réservoir de gaz dirigeant le gicleur du robinet doseur dans la direction de l'adaptateur.

► Fig.10

Insérez correctement le gicleur dans le petit orifice de l'adaptateur.

► Fig.11

Mettez le couvercle du carburant sur le robinet doseur et poussez-le vers le bas pour qu'il s'enclenche.

Réglage de la profondeur de clouage

⚠ ATTENTION :

- Retirez le réservoir de gaz, la batterie et les clous avant d'ajuster la profondeur du clouage.

► Fig.12: 1. Dispositif de réglage

Pour rétrécir la profondeur, tournez le dispositif de réglage vers la droite comme illustré sur la figure. Pour augmenter la profondeur, tournez le dispositif de réglage vers la gauche.

Ne tournez pas trop le dispositif de réglage sous peine de le coincer.

Voyant lumineux

La couleur du voyant lumineux a les significations suivantes.

Clignote en vert : Statut normal

Clignote en rouge : Besoin de recharger la batterie

S'allume en rouge : Rechargez la batterie. Le clouage est impossible, car la batterie est épuisée.

Clignote en orange : Un nettoyage en profondeur est recommandé. Consultez la section « ENTRETIEN » pour nettoyer en profondeur l'intérieur de l'outil. Pour réinitialiser le clignotement orange du voyant lumineux, appuyez sur l'élément de contact pendant cinq secondes, puis poussez l'élément de contact cinq fois.

Clignote en orange après avoir cligné en vert et en rouge en alternance : La détection de panne s'exécute. Retirez et réinsérez la batterie pour réinitialiser. Si la détection de panne s'exécute à nouveau, cela indique un dysfonctionnement. Confiez la réparation à votre centre de service après-vente Makita local.

Crochet

⚠ ATTENTION : Retirez toujours la batterie de l'outil lorsque vous accrochez l'outil. N'accrochez pas l'outil à votre ceinture.

► Fig.13: 1. Crochet

Le crochet est pratique pour suspendre temporairement l'outil.

Le crochet peut être réglé sur deux positions en fonction de l'endroit où vous accrocherez l'outil.

Pour changer la position du crochet, appuyez sur ses deux languettes de chaque côté et déplacez-le sur l'autre position.

ASSEMBLAGE

⚠ ATTENTION :

- Retirez toujours le réservoir de gaz et la batterie avant toute intervention sur l'outil.

Chargement du cloueur

► Fig.14: 1. Bouton

Insérez une bande de clous dans la fente à l'arrière du magasin. Les clous s'arrêtent à l'entrée du magasin en raison de la butée à clous. Déverrouillez le magasin en appuyant sur le bouton de la butée à clous pour insérer les clous.

► Fig.15: 1. Levier-poussoir

Tirez sur le levier-poussoir tout en appuyant sur le bouton-poussoir à fond jusqu'à l'arrière du magasin. Relâchez ensuite le bouton-poussoir et ramenez délicatement le levier-poussoir vers la fin de la bande.

Retrait des clous

► Fig.16: 1. Levier-poussoir 2. Butée à clous

Tirez sur le levier-poussoir et poussez le bouton-poussoir pour libérer la butée à clous, puis ramenez le levier-poussoir en haut tout en poussant sur le bouton-poussoir.

Faites glisser les clous vers l'arrière du magasin. Les clous s'arrêtent à l'entrée du magasin en raison de la butée à clous. Déverrouillez le magasin en appuyant sur le bouton de la butée à clous pour retirer les clous.

Changement du magasin (accessoire en option)

► Fig.17: 1. Boulon

Un magasin de longueur différente est proposé en accessoire en option.

Pour changer le magasin, desserrez le boulon et retirez le magasin. Installez ensuite le nouveau magasin. Et serrez le boulon sur le magasin.

FONCTIONNEMENT

⚠ AVERTISSEMENT :

- Ne touchez pas autour de l'orifice de sortie d'air.** La surface est très chaude pendant ou après le fonctionnement. Vous risquez de vous brûler ou de vous blesser si vous touchez autour de l'orifice de sortie d'air.

⚠ ATTENTION :

- Assurez-vous que tous les systèmes de sécurité sont en état de fonctionner avant d'utiliser l'outil.

Vérification du bon fonctionnement avant utilisation

Avant utilisation, vérifiez toujours les points suivants.

- Assurez-vous que l'outil ne démarre pas uniquement en insérant la batterie et le réservoir de gaz.
- Assurez-vous que l'outil ne démarre pas uniquement en enclenchant la gâchette.
- Assurez-vous que l'outil ne démarre pas uniquement en plaçant l'élément de contact contre la pièce sans enclencher la gâchette.
- Assurez-vous que l'outil ne démarre pas en enclenchant d'abord la gâchette, puis en plaçant l'élément de contact contre la pièce.

Pour enfoncer les clous

► Fig.18

1. Pour enfoncer un clou, placez l'élément de contact contre la pièce.
Le moteur du ventilateur est activé ; le gaz combustible est injecté dans la chambre de combustion et mélangé à l'air par le ventilateur.

► Fig.19: 1. Gâchette

2. Tenez l'élément de contact fermement appuyé et enclenchez la gâchette.
Le gaz combustible est brûlé et le clou est enfoncé.
3. Pour continuer à enfoncer, il est nécessaire de libérer l'élément de contact et la gâchette.

Clouage dans le béton

⚠ AVERTISSEMENT :

- Utilisez uniquement des clous durcis pour clouer dans le béton.
L'utilisation d'autres types de clous comporte un risque de blessure grave. Ne clouez pas directement dans le béton. Si vous ne respectez pas cette précaution, des fragments de béton pourraient voler en éclat ou des clous pourraient être éjectés par l'arrière, ce qui comporte un risque de blessure grave.
- Lorsque vous enfoncez des clous, tenez l'outil bien droit par rapport à la surface à clouer.
Si vous ne clouez pas droit, des fragments de béton pourraient voler en éclat ou des clous pourraient être éjectés par l'arrière, ce qui comporte un risque de blessure grave.
- N'utilisez pas l'outil sur une surface à laquelle sont accrochés des objets, comme un endroit où des dispositifs de suspension pour une conduite d'évacuation, un tuyau d'aspiration de la poussière ou autre sont installés.

⚠ ATTENTION :

- N'utilisez cet outil que pour clouer dans le béton mou (qui n'est pas coulé depuis trop longtemps). Les clous risquent de plier ou de ne pas s'enfoncer assez profondément dans le béton dur.
- Lorsque le degré de pénétration dans le béton doit être de plus 20 mm, il peut s'avérer impossible d'enfoncer les clous assez profondément. Les clous risquent de ne pas être enfoncés assez profondément provoquant l'instabilité de la pièce, entraînant des dommages corporels et matériels.
- Lorsque vous clouez directement sur des surfaces dures comme de l'acier et du béton, appuyez l'élément de contact fermement contre la pièce pour éviter le glissement.

Choisissez et utilisez des clous appropriés qui pénétreront de 15 mm à 20 mm dans le béton.

► Fig.20: 1. Tôle fine 2. Degré de pénétration dans le béton

Mécanisme anti-démarrage à vide

Ce mécanisme empêchera l'outil de se déclencher sans clous.

La prévention du démarrage à vide fonctionne automatiquement lorsqu'il ne reste plus que 2 ou 3 clous.

Cloueur coincé

⚠ AVERTISSEMENT :

- Veillez toujours à retirer le réservoir de gaz et la batterie avant d'extraire un clou coincé.

⚠ ATTENTION :

- N'utilisez pas de clous ou une bande de clous déformés. Le non-respect de ces instructions est à l'origine d'une mauvaise alimentation des clous.

Suivez la procédure de retrait des clous et retirez les clous coincés.

► Fig.21: 1. Magasin

Retirez le réservoir de gaz, la batterie et les clous. Desserrez le boulon sur le magasin. Retirez le magasin et retirez les clous coincés.

► Fig.22

Si les clous ne peuvent pas être retirés par la méthode ci-dessus, procédez comme suit.

Insérez une petite tige ou un objet similaire dans la sortie d'éjection et tapotez dessus avec un marteau pour extraire les clous coincés par la sortie d'éjection.

► Fig.23: 1. Guide d'entraînement inférieur 2. Boulon

► Fig.24

S'il reste encore des clous dans la sortie d'éjection, procédez comme suit.

Desserrez les boulons sur la sortie d'éjection avec une clé hexagonale. Retirez le guide d'entraînement inférieur. Et retirez les clous coincés.

Remettez en place le guide d'entraînement inférieur et serrez les boulons après avoir retiré les clous coincés. Remettez en place le magasin et serrez le boulon.

ENTRETIEN

⚠ ATTENTION :

- Retirez toujours le réservoir de gaz, la batterie et les clous avant de procéder à une inspection ou à l'entretien.
- N'utilisez jamais d'essence, benzine, diluant, alcool ou autre produit similaire. Ils présentent un risque de décoloration, de déformation ou de fissuration.

Entretien après le travail quotidien

Inspectez toujours l'état général de l'outil et les vis desserrées avant utilisation. Serrez au besoin. À la fin de la journée, réalisez une routine de fin de journée de travail.

Ces étapes simples permettent de préserver la sécurité et la performance de l'outil.

Avant de quitter le lieu de travail :

- Retirez la batterie et rangez l'outil dans un étui de transport de l'outil. Utilisez toujours l'étui de transport de l'outil pour transporter et ranger l'outil.
- Mettez au rebut les piles vides dans un endroit où elles ne seront pas trouvées par les enfants, écrasées, percées ou brûlées.

Lorsque vous arrivez à la maison :

- Placez la batterie dans son chargeur si elle a besoin d'être rechargée tel qu'indiqué par le voyant lumineux rouge.
- Essuyez l'outil avec un chiffon propre et doux.
- Vérifiez le filtre et nettoyez-le s'il est poussiéreux.

Nettoyage du filtre à air

► **Fig.25:** 1. Couvercle du filtre

► **Fig.26:** 1. Couvercle du filtre 2. Filtre

Appuyez légèrement sur le couvercle du filtre pour le retirer. Puis soulevez simplement le filtre. Tapotez légèrement le filtre pour en retirer la poussière. Le savon et l'eau rendent le filtre presque neuf. Pour assurer la **SÉCURITÉ** et la **FIABILITÉ** du produit, toute réparation, tout travail d'entretien ou de réglage doivent être effectués par un centre de service après-vente Makita agréé, exclusivement avec des pièces de rechange Makita.

Nettoyage en profondeur

Si les démarrages à vide sont fréquents, cela indique que l'outil doit être nettoyé en profondeur. Consultez le guide de nettoyage qui l'accompagne pour en savoir plus et procédez au nettoyage. Pour toutes questions sur le nettoyage, veuillez vous adresser à votre centre de service après-vente Makita local.

ACCESSOIRES EN OPTION

⚠ ATTENTION :

- Ces accessoires ou pièces complémentaires sont recommandés pour l'utilisation avec l'outil Makita spécifié dans ce mode d'emploi. L'utilisation de tout autre accessoire ou pièce complémentaire peut comporter un risque de blessure. N'utilisez les accessoires ou pièces complémentaires qu'aux fins auxquelles ils ont été conçus.

Si vous désirez obtenir plus de détails concernant ces accessoires, veuillez contacter votre centre de service après-vente Makita local.

- Clous
- Magasin
- Lunettes de sécurité
- Réservoir de gaz
- Kit de nettoyage
- Batterie et chargeur de marque Makita

NOTE :

- Il se peut que certains éléments de la liste soient compris dans l'emballage de l'outil en tant qu'accessoires standard. Ils peuvent varier d'un pays à l'autre.

TECHNISCHE DATEN

Modell	GN420C	
Nagelkapazität	20 Nägel (2 Gurte)	40 Nägel (4 Gurte)
Abmessungen (L x B x H)	315 mm x 108 mm x 390 mm	430 mm x 108 mm x 390 mm
Nettogewicht	3,6 kg	3,8 kg
Nagellänge x Schaftdurchmesser	Nagel L: 15 mm - 40 mm d: 2,6 mm - 3,1 mm	
Nennspannung	7,2 V Gleichstrom	

- Wir behalten uns vor, Änderungen der technischen Daten im Zuge der Entwicklung und des technischen Fortschritts ohne vorherige Ankündigung vorzunehmen.
- Die technischen Daten und der Akku können von Land zu Land unterschiedlich sein.

Symbole

Nachstehend sind Symbole aufgeführt, auf die Sie beim Werkzeuggebrauch stoßen können. Sie sollten noch vor Arbeitsbeginn ihre Bedeutung kennen.

	Lesen Sie die vorliegende Bedienungsanleitung.
	Behälter steht unter Druck. Setzen Sie den Behälter keinen Temperaturen über 50°C (z.B. direkte Sonneneinstrahlung) aus. Lagern Sie den Behälter an einem gut belüfteten Ort.
	Verwenden Sie das Werkzeug nur im Freien oder in gut belüfteten Räumen. Atmen Sie das Gas nicht ein.
	Verwenden Sie in der Nähe weder Flammen noch Sprays auf erhitzten Flächen. Bei Nichtbeachtung kann sich ein brennbares bzw. explosives Dampf-Luft-Gemisch bilden.
	Beschädigen, Durchstechen oder Verbrennen Sie den Behälter nach der Verwendung nicht.
	Tragen Sie eine Schutzbrille.
	Einen Gehörschutz tragen.
	Nehmen Sie Ihre Finger vom Schalter, wenn Sie keine Nägel eintreiben, um ein versehentliches Auslösen zu vermeiden.
	Verwenden Sie das Werkzeug nur in belüfteten Bereichen, um Übelkeit und Bewusstlosigkeit zu vermeiden. Verwenden Sie das Werkzeug niemals in Umgebungen mit brennbaren Materialien. Die Werkzeugabgase können die brennbaren Materialien entzünden.
	Nicht auf Gerüsten, Leitern verwenden!



Warnung: Heiße Fläche!
Bereich um dieses Symbol nicht berühren! Bei Berührung dieser Fläche kann es zu Verbrennungen oder Verletzungen kommen.



Nur für EU-Länder
Entsorgen Sie Elektrowerkzeuge, Batterien und Akkus nicht über den Hausmüll! Gemäß der Europäischen Richtlinie über Elektro- und Elektronik- Altgeräte und über Batterien und Akkumulatoren sowie Altbatterien und Altakkumulatoren und ihrer Umsetzung in nationales Recht müssen verbrauchte Elektrowerkzeuge sowie Altbatterien und Altakkumulatoren getrennt gesammelt und einer umweltgerechten Wiederverwertung zugeführt werden.

Vorgesehene Verwendung

Das Werkzeug wurde für das Sichern eines dünnen Blechs auf Beton entwickelt.

Geräusch

Die typischen A-bewerteten Geräuschpegel, bestimmt gemäß EN ISO 11148-13:

Schalldruckpegel (L_{pA}): 96 dB (A)
Schalleistungspegel (L_{WA}): 100 dB (A)
Abweichung (K): 3 dB (A)

Tragen Sie Gehörschutz

Schwingungen

Gemäß EN ISO 11148-13 ermittelte Gesamtbelastung:
Schwingsbelastung ($a_{h,r}$): 3,5 m/s²
Abweichung (K): 1,5 m/s²

HINWEIS: Die deklarierte Schwingungsbelastung wurde gemäß der Standardtestmethode gemessen und kann für den Vergleich von Werkzeugen untereinander verwendet werden.

HINWEIS: Die deklarierte Schwingungsbelastung kann auch in einer vorläufigen Bewertung der Gefährdung verwendet werden.

⚠️ WARNUNG: Die Schwingungsbelastung während der tatsächlichen Anwendung des Elektrowerkzeugs kann in Abhängigkeit von der Art und Weise der Verwendung des Werkzeugs vom deklarierten Belastungswert abweichen.

⚠️ WARNUNG: Stellen Sie sicher, dass Schutzmaßnahmen für den Bediener getroffen werden, die auf den unter den tatsächlichen Arbeitsbedingungen zu erwartenden Belastungen beruhen (beziehen Sie alle Bestandteile des Arbeitsablaufs ein, also zusätzlich zu den Arbeitszeiten auch Zeiten, in denen das Werkzeug ausgeschaltet ist oder ohne Last läuft).

EG-Konformitätserklärung

Nur für europäische Länder

Die EG-Konformitätserklärung ist als Anhang A in dieser Bedienungsanleitung enthalten.

Sicherheitswarnungen für Gasnagler

⚠️ WARNUNG: Lesen Sie alle Sicherheitswarnungen und Anweisungen durch. Eine Missachtung der Warnungen und Anweisungen kann zu schweren Verletzungen, Stromschlag und/oder Brand führen.

Bewahren Sie alle Warnungen und Anweisungen für spätere Bezugnahme auf.

Um Ihre persönliche Sicherheit und sachgerechten Betrieb und Wartung des Werkzeugs zu gewährleisten, sollten Sie diese Betriebsanleitung vor der Benutzung des Werkzeugs durchlesen.

Allgemeine Sicherheitshinweise

1. Jeder andere Gebrauch außer dem beabsichtigten Gebrauch dieses Werkzeugs ist verboten. Eintreibgeräte mit ständiger Kontaktauslösung oder Kontaktauslösung dürfen nur für Produktionsanwendungen verwendet werden.
2. Halten Sie die Finger vom Auslöser fern, wenn Sie dieses Werkzeug nicht benutzen, und wenn Sie von einer Arbeitsposition zu einer anderen wechseln.
3. Mehrfache Gefahren. Lesen und verstehen Sie die Sicherheitsanweisungen, bevor Sie das Werkzeug anschließen, abtrennen, laden, betreiben, warten, Zubehör wechseln oder in der Nähe des Werkzeugs arbeiten. Andernfalls kann es zu schweren Körperverletzungen kommen.
4. Halten Sie alle Körperteile, wie Hände und Beine usw., aus der Schussrichtung fern, und stellen Sie sicher, dass das Befestigungselement nicht durch das Werkstück hindurch in Teile des Körpers eindringen kann.
5. Beachten Sie bei Benutzung des Werkzeugs, dass das Befestigungselement abgelenkt werden und Verletzungen verursachen kann.
6. Halten Sie das Werkzeug mit festem Griff, und richten Sie sich darauf ein, Rückstoß abzufangen.
7. Nur technische versierte Bediener sollten das Eintreibgerät benutzen.

8. Unterlassen Sie jegliche Abänderung des Eintreibgeräts. Abänderungen können die Effektivität der Sicherheitsmaßnahmen verringern und die Gefahren für den Bediener und/oder Umstehende erhöhen.
9. Werfen Sie die Betriebsanleitung nicht weg.
10. Benutzen Sie ein Werkzeug nicht, wenn es beschädigt worden ist.
11. Lassen Sie bei der Handhabung von Befestigungselementen, besonders beim Beladen und Entladen, Vorsicht walten, da die Befestigungselemente scharfe Spitzen aufweisen, die Verletzungen verursachen können.
12. Überprüfen Sie das Werkzeug vor Gebrauch immer auf beschädigte, falsch angeschlossene oder verschlissene Teile.
13. Strecken Sie sich bei der Arbeit nicht zu weit vor. Benutzen Sie das Werkzeug nur an einem sicheren Arbeitsplatz. Achten Sie stets auf sicheren Stand und gute Balance.
14. Halten Sie Umstehende fern (wenn Sie in einem Bereich arbeiten, wo die Wahrscheinlichkeit von Passanten-Durchgangsverkehr hoch ist). Grenzen Sie Ihren Arbeitsbereich klar ab.
15. Richten Sie das Werkzeug niemals auf sich selbst oder andere Personen.
16. Legen Sie Ihren Finger nicht auf den Auslöser, wenn Sie das Werkzeug aufheben, sich zwischen Arbeitsbereichen und -positionen bewegen oder gehen, weil das zu einer unbeabsichtigten Betätigung führen kann. Werkzeuge mit selektiver Betätigung sind vor Gebrauch stets zu überprüfen, um sicherzustellen, dass der korrekte Modus gewählt ist.
17. Tragen Sie nur Handschuhe, die ein angemessenes Gefühl und sichere Kontrolle von Auslösern und Einstellvorrichtungen gewähren.
18. Legen Sie das Werkzeug im Ruhezustand auf einer ebenen Fläche ab. Wenn Sie den am Werkzeug angebrachten Aufhänger verwenden, hängen Sie das Werkzeug sicher an einer stabilen Oberfläche auf.
19. Benutzen Sie das Werkzeug nicht unter dem Einfluss von Alkohol, Drogen oder dergleichen.

Gefahren von Geschossen

1. Das Eintreibgerät ist grundsätzlich von der Druckluftquelle zu trennen, wenn Befestigungselemente entladen, Einstellungen vorgenommen, Nagelstaus beseitigt oder Zubehörteile gewechselt werden.
2. Achten Sie während der Arbeit darauf, dass die Befestigungselemente das Material korrekt durchdringen und nicht fälschlicherweise auf den Bediener und/oder Umstehende abgelenkt/abgeschossen werden können.
3. Während der Arbeit können Bruchstücke vom Werkstück und vom Befestigungs-/Kollationssystem abgegeben werden.
4. Tragen Sie stets eine Schutzbrille, um Ihre Augen bei Verwendung von Elektrowerkzeugen vor Verletzung zu schützen. Die Brille muss der Vorschrift ANSI Z87.1 in den USA, EN 166 in Europa oder AS/NZS 1336 in Australien/Neuseeland entsprechen. In Australien/Neuseeland ist das Tragen eines Gesichtsschutzes gesetzlich vorgeschrieben, um auch Ihr Gesicht zu schützen.



Der Arbeitgeber ist dafür verantwortlich, den Gebrauch von angemessener Schutzausrüstung für die Werkzeugbenutzer und andere Personen im unmittelbaren Arbeitsbereich durchzusetzen.

5. Die Gefahren für andere Personen sind vom Bediener zu beurteilen.
6. Lassen Sie bei Werkzeugen ohne Werkstückkontakt Vorsicht walten, weil sie unbeabsichtigt ausgelöst werden können und den Bediener und/oder Umstehende verletzen können.
7. Vergewissern Sie sich stets, dass das Werkzeug sicher auf dem Werkstück aufsitzt und nicht abrutschen kann.
8. Tragen Sie einen Gehörschutz, um Ihre Ohren vor dem Auslassgeräusch zu schützen, und einen Kopfschutz. Tragen Sie außerdem leichte, aber keine weite Kleidung. Ärmel müssen zugeknöpft oder hochgerollt sein. Das Tragen einer Krawatte ist unzulässig.

Gefahren beim Betrieb

1. Halten Sie das Werkzeug korrekt: richten Sie sich darauf ein, normalen oder plötzlichen Bewegungen, wie z. B. Rückstoß, entgegenzuwirken.
2. Behalten Sie eine ausbalancierte Körperhaltung und sicheren Stand bei.
3. Tragen Sie eine geeignete Schutzbrille; außerdem wird das Tragen geeigneter Handschuhe und Schutzkleidung empfohlen.
4. Tragen Sie einen geeigneten Gehörschutz.
5. Verwenden Sie die korrekte Energiequelle gemäß den Anweisungen in der Betriebsanleitung.
6. Benutzen Sie das Werkzeug nicht auf beweglichen Plattformen oder auf der Ladefläche von Lastwagen. Eine plötzliche Bewegung der Plattform kann zum Verlust der Kontrolle über das Werkzeug führen und Verletzungen verursachen.
7. Gehen Sie stets von der Annahme aus, dass das Werkzeug Befestigungselemente enthält.
8. Arbeiten Sie nicht überhastet, und verwenden Sie das Werkzeug nicht mit zu hohem Kraftaufwand. Gehen Sie mit dem Werkzeug sorgfältig um.
9. Achten Sie beim Arbeiten mit dem Werkzeug auf sicheren Stand und Gleichgewicht. Vergewissern Sie sich bei Arbeiten an hohen Orten, dass sich niemand unterhalb aufhält.

10. **Bewegen Sie sich beim Eintreiben von Befestigungselementen auf Dächern und anderen hochgelegenen Orten in Vorwärtsrichtung.** Wenn Sie sich beim Arbeiten rückwärts bewegen, können Sie leicht den Stand verlieren. Arbeiten Sie beim Eintreiben von Befestigungselementen an senkrechten Flächen von oben nach unten. Das Arbeiten auf diese Weise ist weniger ermüdend.
11. **Wenn Sie versehentlich auf ein anderes Befestigungselement oder auf einen Ast im Holz treffen, kann sich das Befestigungselement verbiegen oder im Werkzeug verklemmen.** Das Befestigungselement kann herausgeschleudert werden und Personen treffen, oder das Werkzeug selbst kann gefährliche Bewegungen machen. Setzen Sie die Befestigungselemente mit Sorgfalt.
12. **Versuchen Sie niemals, Befestigungselemente gleichzeitig von innen und außen einzutreiben.** Die Befestigungselemente können durchschießen und/oder umher fliegen und stellen eine große Gefahr dar.

Gefahren durch wiederholte Beanspruchung

1. Wird ein Werkzeug über längere Zeitspannen benutzt, kann der Bediener Beschwerden in Händen, Armen, Schultern, Nacken oder anderen Körperteilen verspüren.
2. Bei der Benutzung eines Werkzeugs sollte der Bediener eine geeignete, aber ergonomische Haltung annehmen. Behalten Sie sicheren Stand bei, und vermeiden Sie unbehagliche oder unausbalancierte Haltungen.
3. Falls der Bediener Symptome, wie z. B. anhaltende oder immer wiederkehrende Beschwerden, Schmerzen, Pochen, Reißen, Kribbeln, Taubheit, Brennen oder Steifigkeit, verspürt, sollte er diese Warnzeichen nicht ignorieren. Der Bediener sollte einen qualifizierten Gesundheitsexperten in Bezug auf allgemeine Aktivitäten konsultieren.
4. Fortgesetzter Gebrauch des Werkzeugs kann RSI-Syndrom durch den vom Werkzeug erzeugten Rückstoß verursachen.
5. Um RSI-Syndrom zu vermeiden, sollte sich der Bediener nicht übernehmen oder übermäßige Kraft anwenden. Darüber hinaus sollte der Bediener eine Pause einlegen, wenn er Müdigkeit verspürt.
6. Führen Sie eine Gefährdungsabschätzung bezüglich Gefahren durch wiederholte Beanspruchung durch. Sie sollte sich auf Muskel-Skelett-Erkrankungen konzentrieren und vorzugsweise auf der Annahme basieren, dass geringere Ermüdung während der Arbeit effektiv zur Reduzierung von Erkrankungen ist.

Durch Zubehör und Verbrauchsmaterial verursachte Gefahren

1. Entfernen Sie den Gasbehälter und den Akku, bevor Sie Zubehörteile, wie z. B. den Werkstückkontakt, wechseln/austauschen oder Einstellungen vornehmen.
2. Verwenden Sie nur Zubehörteile der vom Hersteller gelieferten Größen und Typen.
3. Verwenden Sie nur die in dieser Anleitung empfohlenen Schmiermittel.

Gefahren am Arbeitsplatz

1. Ausrutschen, Stolpern und Stürzen sind Hauptursachen für Verletzungen am Arbeitsplatz. Achten Sie auf schlüpfrige Oberflächen, die durch den Gebrauch des Werkzeugs verursacht werden, und auch auf Stolpergefahren, die durch den Druckluftschlauch verursacht werden.
2. Lassen Sie in fremden Umgebungen zusätzliche Sorgfalt walten. Verborgene Gefahren, wie z. B. Stromkabel oder andere Versorgungsleitungen, können vorhanden sein.
3. Dieses Werkzeug ist nicht für den Einsatz in potenziell explosiven Atmosphären vorgesehen und ist nicht gegen Kontakt mit Strom isoliert.
4. Vergewissern Sie sich, dass keine Stromkabel, Gasrohre usw. vorhanden sind, die bei Beschädigung durch den Einsatz des Werkzeugs eine Gefahr darstellen können.
5. Halten Sie den Arbeitsbereich sauber und gut beleuchtet. Unaufgeräumte oder dunkle Bereiche führen zu Unfällen.
6. Befolgen Sie etwaige örtliche Lärmschutzvorschriften, und halten Sie die vorgeschriebenen Grenzen für Geräuschpegel ein. In bestimmten Fällen muss der Lärmpegel mit Hilfe von Schallschutzwänden/-lamellen gedämpft werden.

Durch Staub und Abgase verursachte Gefahren

1. Überprüfen Sie stets Ihre Umgebung. Die Abluft vom Werkzeug kann Staub oder Objekte aufwirbeln und den Bediener und/oder Umstehende treffen.
2. Lenken Sie die Abluft so, dass Aufwirbelung von Staub in einer staubgefüllten Umgebung minimiert wird.
3. Werden Staub oder Objekte im Arbeitsbereich emittiert, reduzieren Sie die Emissionen so weit wie möglich, um Gesundheitsrisiken und Verletzungsgefahr zu verringern.

Gefahren durch Lärm

1. Ungeschützte Einwirkung von hohen Geräuschpegeln kann permanente, behindernde Gehörschädigung und andere Probleme wie Tinnitus (Klingeln, Sausen, Pfeifen oder Brummen in den Ohren) verursachen.
2. Führen Sie eine Gefährdungsabschätzung bezüglich Lärmgefahren im Arbeitsbereich durch, und realisieren Sie angemessene Kontrollen für diese Gefahren.
3. Geeignete Kontrollen zur Verringerung des Risikos können Maßnahmen, wie Dämpfungsmaterial, beinhalten, um „Klingeln“ von Werkstücken zu verhindern.
4. Verwenden Sie einen geeigneten Gehörschutz.
5. Betreiben und warten Sie das Werkzeug gemäß den Empfehlungen in dieser Anleitung, um eine unnötige Zunahme von Geräuschpegeln zu verhindern.
6. Ergreifen Sie Lärmreduzierungsmaßnahmen, indem Sie beispielsweise Werkstücke auf Schalldämpfungsstützen legen.

Gefahren durch Schwingungen

1. Die Schwingungsemission während der Arbeit hängt von der Greifkraft, der Anpresskraft, der Arbeitsrichtung, der Einstellung der Energieversorgung, dem Werkstück und der Werkstückauflage ab. Führen Sie eine Gefährdungsabschätzung bezüglich Vibrationsgefahren durch, und realisieren Sie angemessene Kontrollen für diese Gefahren.

2. Vibrationen können zu lähmenden Nervenschäden und Durchblutungsstörungen an Händen und Armen führen.
3. Tragen Sie beim Arbeiten unter kalten Bedingungen warme Kleidung, und halten Sie Ihre Hände warm und trocken.
4. Wenn Sie Taubheit, Kribbeln, Schmerzen oder Bleichwerden der Haut an Ihren Fingern oder Händen erleben, holen Sie sich medizinischen Rat von einem qualifizierten Berufsmediziner in Bezug auf allgemeine Aktivitäten.
5. Betreiben und warten Sie das Werkzeug gemäß den Empfehlungen in dieser Anleitung, um eine unnötige Zunahme von Vibrationspegeln zu verhindern.
6. Halten Sie das Werkzeug mit leichtem, aber sicherem Griff, weil die Gefährdung durch Vibrationen bei höherer Greifkraft im Allgemeinen größer ist.

Zusätzliche Sicherheitsanweisungen für Gaswerkzeuge

1. Verwenden Sie das Werkzeug nur mit dem Original-Makita-Gasbehälter.
2. Lassen Sie bei der Benutzung von Gaswerkzeugen Vorsicht walten, weil das Werkzeug heiß werden kann, wodurch Griff und Kontrolle beeinflusst werden.
3. Gaseintreibergeräte sind in belüfteten Räumen zu benutzen.
4. Falls brennbares Flüssiggas mit menschlicher Haut in Kontakt kommt, können Verletzungen auftreten.
5. Gasbehälter sind gemäß der erforderlichen Transportverordnung zu markieren.
6. Behandeln Sie Gasbehälter sorgfältig, und überprüfen Sie sie auf Beschädigungen. Beschädigte Gasbehälter können explodieren und Verletzungen verursachen.
7. Lesen und befolgen Sie die mit dem Gasbehälter gelieferten Anweisungen.
8. Stellen Sie sicher, dass keine brennbaren Materialien den heißen Abgasen ausgesetzt werden.
9. Benutzen Sie Gaswerkzeuge nicht in explosiven Bereichen, da die in dem Werkzeug erzeugten Funken einen Brand oder eine Explosion verursachen können.
10. Gasbehälter sollten nicht sorglos oder bei hoher Temperatur gelagert werden. Befolgen Sie die örtlichen Vorschriften und die Anweisungen auf dem Gasbehälter für die Handhabung und Entsorgung von Gasbehältern und Batterien oder Akkumulatoren.
11. Bei Gaswerkzeugen besteht die Möglichkeit, dass eine geringe Freisetzung von Gas durch regulären Betrieb erzeugt wird.

Gebrauch und Pflege von Akkuwerkzeugen

1. Laden Sie den Akku nur mit dem vom Hersteller vorgeschriebenen Ladegerät. Ein Ladegerät, das für einen Akkutyp geeignet ist, kann eine Brandgefahr darstellen, wenn es mit einem anderen Akku verwendet wird.
2. Benutzen Sie Elektrowerkzeuge nur mit den ausdrücklich vorgeschriebenen Akkus. Bei Verwendung irgendwelcher anderer Akkus besteht Verletzungs- und Brandgefahr.

3. Halten Sie den Akku bei Nichtgebrauch von anderen Metallgegenständen, wie z. B. Büroklammern, Münzen, Schlüsseln, Nägeln, Schrauben oder anderen kleinen Metallgegenständen, fern, welche die Kontakte kurzschließen können. Kurzschließen der Akkukontakte kann Verbrennungen oder einen Brand verursachen.
 4. Bei Missbrauch kann Flüssigkeit aus dem Akku austreten. Vermeiden Sie Kontakt mit dieser Flüssigkeit. Falls Sie versehentlich mit der Flüssigkeit in Berührung kommen, spülen Sie die betroffenen Stellen mit Wasser ab. Falls die Flüssigkeit in die Augen gelangt, suchen Sie zusätzlich ärztliche Hilfe auf. Die vom Akku austretende Flüssigkeit kann Hautreizungen oder Verätzungen verursachen.
 5. Verwenden Sie keinen Akku und auch kein Werkzeug, der (das) beschädigt oder modifiziert ist. Beschädigte oder modifizierte Akkus können unvorhersehbares Verhalten zeigen, das zu einem Brand, einer Explosion oder Verletzungsgefahr führen kann.
 6. Setzen Sie einen Akku oder ein Werkzeug nicht Feuer oder übermäßigen Temperaturen aus. Bei Einwirkung von Feuer oder Temperaturen über 130 °C kann es zu einer Explosion kommen.
 7. Befolgen Sie alle Ladeanweisungen, und laden Sie den Akku bzw. das Werkzeug nicht außerhalb des in den Anweisungen angegebenen Temperaturbereichs. Wird der Ladevorgang unsachgemäß oder bei Temperaturen außerhalb des angegebenen Bereichs durchgeführt, kann es zu einer Beschädigung des Akkus und erhöhter Brandgefahr kommen.
2. Lassen Sie das Werkzeug regelmäßig bei einem autorisierten Makita-Servicecenter überprüfen.
 3. Um die SICHERHEIT und die ZUVERLÄSSIGKEIT des Produkts zu gewährleisten, sollten Reparatur- und Wartungsarbeiten nur von autorisierten Makita-Servicecentern durchgeführt werden. Es dürfen nur Original-Ersatzteile von Makita verwendet werden.
 4. Befolgen Sie die örtlichen Vorschriften zur Entsorgung des Werkzeugs.

BEWAHREN SIE DIESE ANLEITUNG AUF.

⚠️ WARNUNG: Lassen Sie sich NICHT durch Bequemlichkeit oder Vertrautheit mit dem Produkt (durch wiederholten Gebrauch erworben) von der strikten Einhaltung der Sicherheitsregeln für das vorliegende Produkt abhalten. MISSBRAUCH oder Missachtung der Sicherheitsvorschriften in dieser Anleitung können schwere Personenschäden verursachen.

Wichtige Sicherheitsanweisungen für Akku

Sicherheitsvorrichtungen

1. Stellen Sie vor der Benutzung des Werkzeugs sicher, dass alle Sicherheitssysteme in funktionsfähigem Zustand sind. Das Werkzeug darf nicht auslösen, wenn nur der Auslöser betätigt oder nur der Kontaktarm gegen das Holz gedrückt wird. Es darf nur dann auslösen, wenn beides gleichzeitig erfolgt. Überprüfen Sie das Werkzeug ohne Befestigungselemente und bei voll angezogenem Drücker auf mögliche Funktionsfehler.
2. Die Arretierung des Auslösers in der EIN-Stellung ist sehr gefährlich. Versuchen Sie niemals, den Auslöser zu arretieren.
3. Versuchen Sie nicht, das Kontaktelement mit Klebeband oder Draht in gedrücktem Zustand zu fixieren. Es besteht Verletzungs- und Lebensgefahr.
4. Überprüfen Sie das Kontaktelement stets gemäß der Anweisung in dieser Anleitung. Wenn der Sicherheitsmechanismus nicht ordnungsgemäß funktioniert, können Befestigungselemente versehentlich aus dem Werkzeug geschossen werden.

Wartung

1. Reinigen und warten Sie das Werkzeug direkt nach Beendigung der Arbeiten. Halten Sie das Werkzeug in einwandfreiem Zustand. Schmieren Sie bewegliche Teile, um Rostbildung zu verhindern und reibungsbedingten Verschleiß zu minimieren. Wischen Sie sämtlichen Staub von den Teilen ab.

1. Lesen Sie vor der Benutzung des Akkus alle Anweisungen und Warnhinweise, die an (1) Ladegerät, (2) Akku und (3) Akkuwerkzeug angebracht sind.
2. Unterlassen Sie ein Zerlegen des Akkus.
3. Falls die Betriebszeit beträchtlich kürzer geworden ist, stellen Sie den Betrieb sofort ein. Anderenfalls besteht die Gefahr von Überhitzung, möglichen Verbrennungen und sogar einer Explosion.
4. Falls Elektrolyt in Ihre Augen gelangt, waschen Sie sie mit sauberem Wasser aus, und begeben Sie sich unverzüglich in ärztliche Behandlung. Anderenfalls können Sie Ihre Sehkraft verlieren.
5. Der Akku darf nicht kurzgeschlossen werden:
 - (1) Die Kontakte dürfen nicht mit leitfähigem Material berührt werden.
 - (2) Lagern Sie den Akku nicht in einem Behälter zusammen mit anderen Metallgegenständen, wie z. B. Nägel, Münzen usw.
 - (3) Setzen Sie den Akku weder Wasser noch Regen aus.
 Ein Kurzschluss des Akkus verursacht starken Stromfluss, der Überhitzung, mögliche Verbrennungen und einen Defekt zur Folge haben kann.
6. Lagern Sie das Werkzeug und den Akku nicht an Orten, an denen die Temperatur 50 °C erreichen oder überschreiten kann.
7. Versuchen Sie niemals, den Akku zu verbrennen, selbst wenn er stark beschädigt oder vollkommen verbraucht ist. Der Akku kann im Feuer explodieren.
8. Achten Sie darauf, dass der Akku nicht fallen gelassen oder Stößen ausgesetzt wird.

9. **Benutzen Sie keine beschädigten Akkus.**
10. **Die enthaltenen Lithium-Ionen-Akkus unterliegen den Anforderungen der Gefahrgut-Gesetzgebung.**
Für kommerzielle Transporte, z. B. durch Dritte oder Spediteure, müssen besondere Anforderungen zu Verpackung und Etikettierung beachtet werden.
Zur Vorbereitung des zu transportierenden Artikels ist eine Beratung durch einen Experten für Gefahrgut erforderlich. Bitte beachten Sie möglicherweise ausführlichere nationale Vorschriften. Überkleben oder verdecken Sie offene Kontakte, und verpacken Sie den Akku so, dass er sich in der Verpackung nicht umher bewegen kann.
11. **Entfernen Sie den Akku zum Entsorgen vom Werkzeug, und entsorgen Sie ihn an einem sicheren Ort. Befolgen Sie die örtlichen Vorschriften bezüglich der Entsorgung von Akkus.**
12. **Verwenden Sie die Akkus nur mit den von Makita angegebenen Produkten.** Das Einsetzen der Akkus in nicht konforme Produkte kann zu einem Brand, übermäßiger Hitzebildung, einer Explosion oder Auslaufen von Elektrolyt führen.
13. **Soll das Werkzeug längere Zeit nicht benutzt werden, muss der Akku vom Werkzeug entfernt werden.**

DIESE ANWEISUNGEN AUFBEWAHREN.

⚠ VORSICHT: Verwenden Sie nur Original-Makita-Akkus. Die Verwendung von Nicht-Original-Makita-Akkus oder von Akkus, die abgeändert worden sind, kann zum Bersten des Akkus und daraus resultierenden Bränden, Personenschäden und Beschädigung führen. Außerdem wird dadurch die Makita-Garantie für das Makita-Werkzeug und -Ladegerät ungültig.

Hinweise zur Aufrechterhaltung der maximalen Akku-Nutzungsdauer

1. **Laden Sie den Akku, bevor er vollkommen erschöpft ist. Schalten Sie das Werkzeug stets aus, und laden Sie den Akku, wenn Sie ein Nachlassen der Werkzeugleistung feststellen.**
2. **Unterlassen Sie erneutes Laden eines voll aufgeladenen Akkus. Überladen führt zu einer Verkürzung der Nutzungsdauer des Akkus.**
3. **Laden Sie den Akku bei Raumtemperatur zwischen 10 – 40 °C. Lassen Sie einen heißen Akku abkühlen, bevor Sie ihn laden.**

Gesamtdarstellung des Naglers

- **Abb.1:** 1. Kraftstoffabdeckung 2. Schalter
3. Magazin 4. Druckhebel 5. Drucktaste
6. Kontaktfuß 7. Auslassöffnung 8. Lampe
9. Anzeigelampe 10. Akku

FUNKTIONSBESCHREIBUNG

⚠ VORSICHT:

- Entfernen Sie stets den Gasbehälter, den Akku und die Nägel, bevor Sie Einstellungen oder eine Funktionsprüfung des Werkzeugs vornehmen.

Anbringen und Abnehmen des Akkus

⚠ VORSICHT:

- Schalten Sie das Werkzeug stets aus, bevor Sie den Akku anbringen oder abnehmen.
- **Halten Sie das Werkzeug und den Akku sicher fest, wenn Sie den Akku einsetzen oder herausnehmen.** Andernfalls könnte Ihnen das Werkzeug oder der Akku aus den Händen fallen, sodass das Werkzeug oder der Akku beschädigt werden oder diese Verletzungen verursachen.

► **Abb.2:** 1. Akku

Halten Sie den Akku zum Anbringen so, dass die Form seiner Vorderseite in die Akku-Einschuböffnung passt, und schieben Sie ihn dann ein. Schieben Sie ihn vollständig ein, bis er mit einem hörbaren Klicken einrastet.

► **Abb.3:** 1. Akku 2. Knopf

Ziehen Sie den Akku zum Abnehmen vom Werkzeug ab, während Sie beide Seiten des Akkus drücken.

⚠ VORSICHT:

- Schieben Sie den Akku stets vollständig ein, bis er einrastet. Andernfalls kann der Akku versehentlich aus dem Werkzeug fallen und Sie oder Personen in Ihrem Umfeld verletzen.
- Installieren Sie den Akku nicht gewaltsam. Falls der Akku nicht reibungslos hinein gleitet, ist er nicht richtig ausgerichtet.

Einschalten der Lampe

⚠ VORSICHT:

- Blicken Sie nicht direkt in die Lampe oder die Lichtquelle.

► **Abb.4:** 1. Lampentaste

Um die Lampe einzuschalten, drücken Sie die Lampentaste. Um die Lampe auszuschalten, drücken Sie die Lampentaste erneut.

Gasbehälter

Befestigen des Dosierventils an dem Gasbehälter

► **Abb.5:** 1. Dosierventil 2. Kappe

Nehmen Sie die Kappe ab (falls das Dosierventil mit der Kappe geliefert wird).

► **Abb.6**

Drücken Sie die Vorderkante hinein.

► **Abb.7**

Drücken Sie die Hinterkante bis zum Einrasten hinein.

Einsetzen des Gasbehälters

► Abb.8

Schieben Sie den Gaskartuschendeckel hoch, und ziehen Sie ihn zum Öffnen nach vorn.

► Abb.9: 1. Strahldüse

Setzen Sie den Gasbehälter so ein, dass die Strahldüse des Dosierventils auf den Adapter ausgerichtet ist.

► Abb.10

Führen Sie die Strahldüse ordnungsgemäß in die kleine Öffnung des Adapters ein.

► Abb.11

Setzen Sie den Gaskartuschendeckel auf das Dosierventil, und drücken Sie ihn zum Einrasten nach unten.

Einstellen der Nageleintreibtiefe

⚠ VORSICHT:

- Entfernen Sie den Gasbehälter, den Akku und die Nägel, bevor Sie die Nageleintreibtiefe einstellen.

► Abb.12: 1. Einstellvorrichtung

Um eine geringere Tiefe zu erreichen, drehen Sie die Einstellvorrichtung nach rechts, wie in der Abbildung dargestellt. Um eine größere Tiefe zu erreichen, drehen Sie die Einstellvorrichtung nach links. Drehen Sie die Einstellvorrichtung nicht zu weit, weil sie sonst hängen bleiben kann.

Anzeigelampe

Die Farbe der Anzeigelampe hat folgende Bedeutungen.

Blinken in Grün: Normaler Status

Blinken in Rot: Akku muss aufgeladen werden

Leuchten in Rot: Akku muss aufgeladen werden.

Aufgrund fehlender Akku-Restkapazitäten kann keine Nagelung durchgeführt werden.

Blinken in Orange: Gründliche Reinigung wird empfohlen. Nehmen Sie auf den Abschnitt „WARTUNG“ Bezug, um das Innere des Werkzeugs gründlich zu reinigen. Um das Blinken der Anzeigelampe in Orange aufzuheben, drücken Sie das Kontaktelement zunächst fünf Sekunden lang und dann fünfmal.

Blinken in Orange nach abwechselndem Blinken in Grün und Rot: Fehlererkennung wird ausgeführt. Nehmen Sie eine Rücksetzung des Akkus durch Abnehmen und Wiedereinsetzen vor. Falls die Fehlererkennung erneut ausgeführt wird, liegt eine Fehlfunktion vor. Wenden Sie sich für eine Reparatur an Ihre Makita-Kundendienststelle vor Ort.

Aufhänger

⚠ VORSICHT: Nehmen Sie stets den Akku vom Werkzeug ab, wenn Sie das Werkzeug aufhängen. Hängen Sie das Werkzeug nicht an Ihren Gürtel.

► Abb.13: 1. Aufhänger

Der Aufhänger ist praktisch, um das Werkzeug vorübergehend aufzuhängen.

Der Aufhänger kann auf zwei Positionen eingestellt werden, je nachdem, wo das Werkzeug aufgehängt werden soll. Zum Ändern der Aufhängerposition drücken Sie seine Schenkel auf beiden Seiten zusammen, und verlagern Sie sie auf eine andere Position.

MONTAGE

⚠ VORSICHT:

- Nehmen Sie immer den Gasbehälter und den Akku ab, bevor Sie Arbeiten am Werkzeug ausführen.

Laden des Naglers

► Abb.14: 1. Knopf

Führen Sie einen Nagelgurt in den Schlitz an der Rückseite des Magazins ein. Die Nägel stoppen aufgrund des Nagelstoppers am Eingang des Magazins. Lösen Sie die Sperre des Magazins, indem Sie den Knopf am Nagelstopper drücken, um die Nägel einzusetzen.

► Abb.15: 1. Drückerhebel

Ziehen Sie den Drückerhebel, während Sie den Drückerknopf ganz bis zur Rückseite des Magazins drücken. Lassen Sie dann den Drückerknopf los, und führen Sie den Drückerhebel sachte an das Ende des Nagelgurts zurück.

Entfernen von Nägeln

► Abb.16: 1. Drückerhebel 2. Nagelstopper

Ziehen Sie den Drückerhebel, und drücken Sie den Drückerknopf, um den Nagelträger freizugeben; führen Sie dann den Drückerhebel wieder zum Anfang zurück, indem Sie den Drückerknopf drücken. Schieben Sie die Nägel zur Rückseite des Magazins. Die Nägel stoppen aufgrund des Nagelstoppers am Eingang des Magazins. Lösen Sie die Sperre des Magazins, indem Sie den Knopf am Nagelstopper drücken, um die Nägel zu entnehmen.

Wechseln des Magazins (Sonderzubehör)

► Abb.17: 1. Schraube

Ein Magazin mit einer anderen Länge ist als Sonderzubehör erhältlich.

Zum Wechseln des Magazins lösen Sie die Schraube, und entfernen Sie das Magazin. Setzen Sie anschließend das neue Magazin ein. Ziehen Sie die Schraube am Magazin fest.

BETRIEB

⚠ WARNUNG:

- **Berühren Sie nicht den Bereich um die Auslassöffnung.** Dieser Bereich ist während und kurz nach dem Betrieb sehr heiß. Bei Berührung des Bereichs um die Auslassöffnung kann es zu Verbrennungen oder Verletzungen kommen.

⚠ VORSICHT:

- Stellen Sie vor der Benutzung des Werkzeugs sicher, dass alle Sicherheitssysteme in funktionsfähigem Zustand sind.

Funktionsprüfung vor dem Betrieb

Überprüfen Sie vor dem Betrieb stets die folgenden Punkte.

- Vergewissern Sie sich, dass das Werkzeug nicht durch bloßes Einsetzen des Akkus und des Gasbehälter betätigt wird.
- Vergewissern Sie sich, dass das Werkzeug nicht durch bloßes Ziehen des Auslösers betätigt wird.
- Vergewissern Sie sich, dass das Werkzeug nicht durch bloßes Drücken des Kontaktelements gegen das Werkstück betätigt wird, ohne den Auslöser zu ziehen.
- Vergewissern Sie sich, dass das Werkzeug nicht betätigt wird, wenn zuerst der Auslöser gezogen und dann das Kontaktelement gegen das Werkstück gehalten wird.

Eintreiben von Nägeln

► Abb.18

1. Um einen Nagel einzutreiben, setzen Sie das Kontaktelement auf das Werkstück. Der Gebläsemotor wird aktiviert, Brenngas wird in die Brennkammer eingespritzt und durch das Gebläse mit Luft vermischt.

► Abb.19: 1. Auslöser

2. Halten Sie das Kontaktelement fest angedrückt, und betätigen Sie den Auslöser. Brenngas wird verbrannt, und der Nagel wird eingetrieben.
3. Ein weiterer Eintreibvorgang kann nur ausgelöst werden, nachdem Kontaktelement und Auslöser freigegeben worden sind.

Eintreiben von Nägeln in Beton

⚠ **WARNUNG:**

- Verwenden Sie nur gehärtete Nägel für Beton. Bei Verwendung anderer Nägel kann es zu ernsthaften Verletzungen kommen. Nageln Sie nicht direkt auf Beton. Anderenfalls können Betonfragmente absplintern oder Nägel zurückschlagen, was ernsthafte Verletzungen verursachen kann.
- Halten Sie das Werkzeug beim Eintreiben von Nägeln so, dass es senkrecht zur Eintreibfläche steht. Beim Eintreiben in Schräglage kann es zum Abspringen von Betonfragmenten, Zurückschlagen von Nägeln und zu schweren Verletzungen kommen.
- Verwenden Sie das Werkzeug nicht auf Flächen, an denen Gegenstände hängen, z. B. Bereiche, an denen Aufhängungen für Abwasserrohre, Staubabsaugrohre usw. angebracht sind.

⚠ **VORSICHT:**

- Benutzen Sie dieses Werkzeug nur für weichen Beton, der erst vor kurzem gegossen wurde. Der Gebrauch auf hartem Beton kann dazu führen, dass sich Nägel verbiegen oder nicht tief genug eindringen.
- Wenn eine Eindringtiefe von mehr als 20 mm in Beton notwendig ist, können Nägel möglicherweise nicht auf eine ausreichende Länge eingetrieben werden. Nägel werden möglicherweise zu flach eingetrieben, wodurch ein instabiles Werkstück verursacht wird, was zu Personenschäden und Sachschäden führen kann.
- Wenn Sie Nägel direkt auf harten Oberflächen, wie z. B. Stahl und Beton, eintreiben, drücken Sie das Kontaktelement fest gegen das Werkstück, um Abrutschen zu verhindern.

Wählen und verwenden Sie geeignete Nägel, dass die Eindringtiefe in Beton zwischen 15 mm und 20 mm liegt.

- **Abb.20:** 1. Dünnes Stahlblech 2. Eindringtiefe in Beton

Leerschuss-Sicherungsmechanismus

Dieser Mechanismus verhindert, dass das Werkzeug ohne Nagel auslöst.

Der Leerschuss-Auslöseschutz wird automatisch aktiviert, wenn nur noch 2 bis 3 Nägel im Magazin sind.

Blockierter Nagler

⚠ **WARNUNG:**

- Entfernen Sie stets den Gasbehälter und den Akku, bevor Sie eine Blockierung beseitigen.

⚠ **VORSICHT:**

- Verwenden Sie keine verformten Nägel oder Nagelgurte. Andernfalls wird die Nagelzufuhr beeinträchtigt.

Entfernen Sie verklemmte Nägel nach dem Nagelentnahmeverfahren.

- **Abb.21:** 1. Magazin

Entfernen Sie den Gasbehälter, den Akku und die Nägel. Lösen Sie die Schraube am Magazin. Nehmen Sie das Magazin heraus, und entfernen Sie die verklemmten Nägel.

- **Abb.22**

Falls sich die Nägel nicht durch das obige Verfahren entfernen lassen, gehen Sie wie folgt vor.

Führen Sie eine kleine Stange oder dergleichen in die Auswurföffnung ein, und klopfen Sie mit einem Hammer darauf, um die klemmenden Nägel aus der Auswurföffnung auszutreiben.

- **Abb.23:** 1. Untere Eintreiberführung 2. Schraube

- **Abb.24**

Falls die Nägel noch immer in der Auswurföffnung stecken, gehen Sie wie folgt vor.

Lösen Sie die Schrauben an der Auswurföffnung mit einem Sechskantschlüssel. Entfernen Sie die untere Eintreiberführung, und entnehmen Sie die verklemmten Nägel.

Bringen Sie die untere Eintreiberführung wieder an, und ziehen Sie die Schrauben nach dem Entfernen der verklemmten Nägel wieder fest. Setzen Sie das Magazin wieder ein, und ziehen Sie die Schraube fest.

WARTUNG

⚠ VORSICHT:

- Entfernen Sie stets den Gasbehälter, den Akku und die Nägel, bevor Sie Überprüfungen oder Wartungen vornehmen.
- Verwenden Sie niemals Benzin, Waschbenzin, Verdünnern, Alkohol oder dergleichen. Diese können Verfärbung, Verformung oder Rissbildung verursachen.

Wartungsarbeiten nach der täglichen Arbeit

Überprüfen Sie das Werkzeug vor der Benutzung stets auf seinen Allgemeinzustand und auf lockere Schrauben. Ziehen Sie diese gegebenenfalls fest. Führen Sie am Ende der täglichen Arbeiten eine Reinigungsroutine durch. Diese einfachen Schritte dienen zum Aufrechterhalten der Sicherheit und der Leistungsfähigkeit des Werkzeugs.

Vor Verlassen des Arbeitsplatzes:

- Nehmen Sie den Akku ab, und bewahren Sie ihn in einem Werkzeugkoffer auf. Verwenden Sie immer den Werkzeugkoffer zum Transportieren und Aufbewahren des Werkzeugs.
- Entsorgen Sie leere Kartuschen immer so, dass sie nicht in Kinderhände gelangen oder zerdrückt, durchstoßen oder verbrannt werden könnten.

Nach Beendigung der Arbeiten:

- Setzen Sie den Akku bei Bedarf in das Ladegerät ein; dies wird durch die rote Anzeigelampe angezeigt.
- Wischen Sie das Werkzeug mit einem sauberen, weichen Tuch ab.
- Überprüfen Sie den Filter, und reinigen Sie ihn bei Verschmutzung.

Reinigen des Luftfilters

► **Abb.25:** 1. Filterabdeckung

► **Abb.26:** 1. Filterabdeckung 2. Filter

Drücken Sie die Filterabdeckung leicht nach oben, und nehmen Sie sie ab. Heben Sie dann den Filter einfach heraus.

Klopfen Sie den Filter leicht aus, um etwaigen Staub zu entfernen. Nach der Behandlung mit Wasser und Seife wird der Filter wieder wie neu.

Um die SICHERHEIT und ZUVERLÄSSIGKEIT dieses Produkts zu aufrechtzuerhalten, sollten Reparaturen und andere Wartungs- oder Einstellarbeiten nur von Makita-Kundendienstzentren unter ausschließlicher Verwendung von Makita-Originalersatzteilen ausgeführt werden.

Gründliche Reinigung

Wenn Leerauslösungen oft auftreten, bedeutet dies, dass das Werkzeug gründlich gereinigt werden muss. Führen Sie die Reinigung nach den detaillierten Anweisungen in der beiliegenden Reinigungsanleitung durch.

Wenn Sie Fragen bezüglich der Reinigung haben, wenden Sie sich an Ihre Makita-Kundendienststelle vor Ort.

SONDERZUBEHÖR

⚠ VORSICHT:

- Diese Zubehörteile oder Vorrichtungen werden für den Einsatz mit dem in dieser Anleitung beschriebenen Makita-Werkzeug empfohlen. Die Verwendung anderer Zubehörteile oder Vorrichtungen kann eine Verletzungsgefahr für Personen darstellen. Verwenden Sie Zubehörteile oder Vorrichtungen nur für ihren vorgesehenen Zweck.

Wenn Sie weitere Einzelheiten bezüglich dieser Zubehörteile benötigen, wenden Sie sich bitte an Ihre Makita-Kundendienststelle vor Ort.

- Nägel
- Magazin
- Schutzbrille
- Gasbehälter
- Reinigungssatz
- Original-Makita-Akku und -Ladegerät

HINWEIS:

- Einige der in der Liste aufgeführten Elemente sind dem Werkzeugpaket als Standardzubehör beigelegt. Diese können in den einzelnen Ländern voneinander abweichen.

DATI TECNICI

Modello	GN420C	
Capacità dei chiodi	20 chiodi (2 nastri)	40 chiodi (4 nastri)
Dimensioni (L x P x A)	315 mm x 108 mm x 390 mm	430 mm x 108 mm x 390 mm
Peso netto	3,6 kg	3,8 kg
Lunghezza chiodi x diametro stelo	L. chiodi: da 15 mm a 40 mm d.: da 2,6 mm a 3,1 mm	
Tensione nominale	7,2 V C.C.	

- In conseguenza del nostro programma continuativo di ricerca e sviluppo, i dati tecnici specificati nel presente documento sono soggetti a modifiche senza preavviso.
- I dati tecnici e la cartuccia della batteria potrebbero variare da nazione a nazione.

Simboli

Di seguito sono riportati i simboli utilizzati per l'apparecchio. Accertarsi di comprenderne il significato prima dell'uso.

	Leggere il manuale d'uso.
	Contenitore sotto pressione, tenere lontano da temperature sopra i 50°C (ad es. da radiazione solare). Tenere il contenitore in un luogo ben ventilato.
	Utilizzare solo all'aperto o in stanze ben ventilate. Non respirare il gas.
	Non utilizzare in prossimità di fiamme esposte o spray su superfici riscaldate. Durante l'uso, si potrebbe formare una miscela di vapori e aria infiammabile o esplosiva.
	Non danneggiare, perforare né bruciare, anche dopo l'uso.
	Indossare occhiali di sicurezza.
	Indossare protezioni per le orecchie.
	Per evitare lo sparo accidentale, tenere le dita lontane dal grilletto quando non si intende applicare elementi di fissaggio.
	Utilizzare esclusivamente in aree ventilate, per evitare nausea e perdite di coscienza. Non utilizzare mai l'utensile in atmosfere combustibili. Lo scarico dell'utensile potrebbe incendiare materiali infiammabili.
	Non utilizzare su impalcature o scale a pioli.
	Attenzione: superficie estremamente calda! Non toccare l'area circostante questo simbolo. Qualora si tocchi la superficie, si potrebbero causare ustioni o lesioni personali.



Solo per le nazioni della UE
Non smaltire apparecchiature elettriche o batterie insieme ai rifiuti domestici!
In osservanza delle Direttive Europee sui rifiuti di apparecchiature elettriche ed elettroniche (RAEE), sulle pile e gli accumulatori, nonché sui rifiuti di pile e accumulatori, e dell'implementazione di tali direttive in conformità alle leggi locali, gli apparecchi elettrici, le pile e la batteria o le batterie che hanno raggiunto la fine della loro vita utile devono essere sottoposti a raccolta differenziata e conferiti a una struttura di riciclaggio ecocompatibile.

Utilizzo previsto

Questo utensile è destinato al fissaggio di lastre di acciaio sottili al calcestruzzo.

Rumore

Livello tipico di rumore pesato A determinato in base alla norma EN ISO 11148-13:

Livello di pressione sonora (L_{pA}): 96 dB (A)

Livello di potenza sonora (L_{WA}): 100 dB (A)

Incertezza (K): 3 dB (A)

Indossare protezioni per le orecchie

Vibrazioni

Valore complessivo delle vibrazioni determinato in base alla norma EN ISO 11148-13:

Emissione di vibrazioni (a_h): 3,5 m/s²

Incertezza (K): 1,5 m/s²

NOTA: Il valore di emissione delle vibrazioni dichiarato è stato misurato in conformità al metodo standard di verifica, e può venire utilizzato per confrontare un utensile con un altro.

NOTA: Il valore di emissione delle vibrazioni dichiarato può venire utilizzato anche per una valutazione preliminare dell'esposizione.

⚠AVVERTIMENTO: L'emissione delle vibrazioni durante l'utilizzo effettivo dell'utensile elettrico può variare rispetto al valore di emissione dichiarato, a seconda dei modi in cui viene utilizzato l'utensile.

⚠AVVERTIMENTO: Accertarsi di identificare misure di sicurezza per la protezione dell'operatore che siano basate su una stima dell'esposizione nelle condizioni effettive di utilizzo (tenendo conto di tutte le parti del ciclo operativo, ad esempio i periodi di tempo durante i quali l'utensile è spento e quelli durante i quali gira a vuoto, oltre al tempo di attivazione).

Dichiarazione di conformità CE

Solo per i paesi europei

La dichiarazione di conformità CE è inclusa nell'Allegato A al presente manuale di istruzioni.

Avvertenze di sicurezza relative alla chiodatrice a gas

⚠AVVERTIMENTO: Leggere tutte le avvertenze di sicurezza e tutte le istruzioni. La mancata osservanza delle avvertenze e delle istruzioni potrebbe risultare in lesioni personali gravi, scosse elettriche e/o incendi.

Conservare tutte le avvertenze e le istruzioni come riferimento futuro.

Per la sicurezza personale e il funzionamento e la manutenzione corretti dell'utensile, leggere il presente manuale d'uso prima di utilizzare l'utensile.

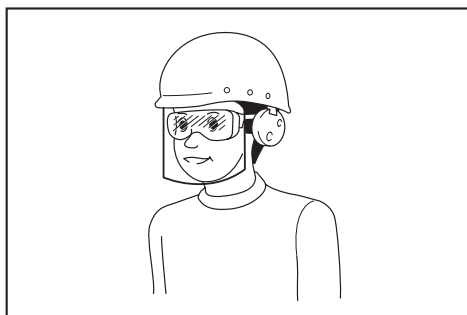
Sicurezza generale

1. **Qualsiasi altro utilizzo eccettuato quello a cui è destinato questo utensile è vietato. Gli utensili di applicazione di elementi di fissaggio con azionamento a contatto continuo o con azionamento a contatto vanno utilizzati solo per applicazioni di produzione.**
2. **Tenere le dita lontane dal grilletto quando non si utilizza il presente utensile e quando si intende passare da una posizione di utilizzo a un'altra.**
3. **Pericoli multipli. Leggere e comprendere le istruzioni di sicurezza prima di collegare, scollegare, caricare, utilizzare e sottoporre a manutenzione l'utensile, nonché prima di sostituire gli accessori o lavorare in prossimità dell'utensile. La mancata osservanza di questa indicazione potrebbe risultare in gravi lesioni corporee.**
4. **Tenere tutte le parti del corpo, quali mani, gambe, e così via, lontane dalla direzione di sparo, e assicurare che l'elemento di fissaggio non possa trapassare il pezzo in lavorazione penetrando in parti del corpo.**
5. **Quando si utilizza l'utensile, tenere presente che l'elemento di fissaggio potrebbe venire deviato e causare lesioni personali.**
6. **Mantenere l'utensile con una presa salda ed essere preparati a gestire un contraccolpo.**
7. **Solo operatori dotati di esperienza tecnica dovrebbero utilizzare l'utensile di applicazione di elementi di fissaggio.**

8. **Non modificare l'utensile di applicazione di elementi di fissaggio. Le modifiche potrebbero ridurre l'efficacia delle misure di sicurezza e incrementare i rischi nei confronti dell'operatore e/o degli astanti.**
9. **Non smaltire il manuale d'uso.**
10. **Non utilizzare un utensile qualora quest'ultimo sia stato danneggiato.**
11. **Fare attenzione nel maneggiare i elementi di fissaggio, specialmente quando nel caricarli e scaricarli, in quanto i elementi di fissaggio hanno delle punte acuminate che possono causare lesioni personali.**
12. **Controllare sempre l'utensile prima dell'uso alla ricerca di parti rotte, collegate male o usurate.**
13. **Non sporgersi. Utilizzare solo in un luogo di lavoro sicuro. Mantenere una posizione corretta sui piedi e l'equilibrio in qualsiasi momento.**
14. **Tenere lontani gli astanti (quando si lavora in un'area in cui sussiste la probabilità di traffico di passaggio di persone). Contrassegnare in modo chiaro l'area di utilizzo.**
15. **Non puntare mai l'utensile verso se stessi o altri.**
16. **Non tenere appoggiato il dito sul grilletto quando si prende l'utensile, quando ci si sposta tra aree e posizioni operative o quando si cammina, in quanto l'appoggio del dito sul grilletto può portare a un funzionamento accidentale. Per gli utensili con azionamento selettivo, controllare sempre l'utensile prima di utilizzarlo per verificare che la modalità corretta sia selezionata.**
17. **Indossare solo quanti che forniscano una sensibilità adeguata e un controllo sicuro dei grilletti e di qualsiasi dispositivo di regolazione.**
18. **Quando si intende appoggiare l'utensile, appoggiarlo sulla superficie piana. Se si utilizza il gancio in dotazione con l'utensile, agganciare l'utensile saldamente a una superficie stabile.**
19. **Non utilizzare l'utensile sotto l'effetto di alcool, droghe o simili.**

Pericoli propulsivi

1. **L'utensile per l'applicazione di elementi di fissaggio va scollegato quando si intende scaricare elementi di fissaggio, effettuare regolazioni, eliminare inceppamenti o sostituire accessori.**
2. **Durante il funzionamento, fare attenzione affinché i elementi di fissaggio penetrino correttamente nel materiale e non possano venire devianti o sparati per errore verso l'operatore e/o eventuali astanti.**
3. **Durante il funzionamento, potrebbero venire scaricati detriti dal pezzo in lavorazione e dal sistema di fissaggio/raccolta.**
4. **Indossare sempre occhiali protettivi per proteggere gli occhi da lesioni personali, quando si utilizzano utensili elettrici. Gli occhiali devono essere conformi allo standard ANSI Z87.1 negli Stati Uniti, allo standard EN 166 in Europa o allo standard AS/NZS 1336 in Australia/Nuova Zelanda. In Australia/Nuova Zelanda, è obbligatorio per legge indossare anche una visiera per proteggere il volto.**



È responsabilità del datore di lavoro far rispettare l'utilizzo delle attrezzature protettive di sicurezza appropriate da parte degli operatori degli utensili e di altre persone nell'area di lavoro e nelle immediate vicinanze.

5. I rischi nei confronti di altre persone devono essere valutati dall'operatore.
6. Fare attenzione agli utensili privi di elemento di contatto con il pezzo in lavorazione, in quanto possono sparare accidentalmente e causare lesioni all'operatore e/o agli astanti.
7. Accertarsi che l'utensile sia sempre saldamente in contatto con il pezzo in lavorazione e non possa scivolare.
8. Indossare protezioni per l'udito, per proteggere le orecchie dal rumore dello scarico, e una protezione per la testa. Inoltre, indossare indumenti leggeri ma non abbondanti. Le maniche vanno abbottonate o arrotolate sul braccio. Non indossare cravatte.

Pericoli d'uso

1. **Mantenere correttamente l'utensile: prepararsi a contrastare movimenti normali o improvvisi, ad esempio i contraccolpi.**
2. **Mantenere una posizione del corpo bilanciata e una posizione salda sui piedi.**
3. **È necessario utilizzare occhiali di protezione appropriati, ed è consigliato l'utilizzo di guanti e indumenti protettivi appropriati.**
4. **È necessario utilizzare protezioni per l'udito appropriate.**
5. **Utilizzare la fonte di energia corretta, come illustrato nel manuale d'uso.**
6. **Non utilizzare l'utensile su piattaforme mobili o sul retro dei camion.** Un movimento improvviso della piattaforma potrebbe far perdere il controllo dell'utensile e causare lesioni personali.
7. **Dare sempre per scontato che l'utensile contenga elementi di fissaggio.**
8. **Non affrettare il lavoro né forzare l'utensile. Maneggiare l'utensile con attenzione.**
9. **Fare attenzione all'appoggio sui piedi e mantenere l'equilibrio con l'utensile.** Quando si intende lavorare in ubicazioni elevate, accertarsi che non siano presenti persone sotto di sé.
10. **Sui tetti e su altre ubicazioni elevate, avvitare gli elementi di fissaggio man mano che si procede in avanti.** È facile perdere l'appoggio con i piedi se si avvitano gli elementi di fissaggio mentre si procede poco a poco all'indietro. Quando si intende avvitare elementi di fissaggio su una superficie perpendicolare, lavorare dall'alto verso il basso. In tal modo è possibile effettuare operazioni di avvitaratura con uno sforzo fisico minore.

11. **Qualora per errore si avviti un elemento di fissaggio al di sopra di un altro elemento di fissaggio o si colpisca un nodo nel legno, un elemento di fissaggio verrà piegato o l'utensile potrebbe incepparsi. L'elemento di fissaggio potrebbe venire scagliato via e colpire qualcuno, oppure l'utensile stesso potrebbe reagire in modo pericoloso. Posizionare gli elementi di fissaggio con cura.**
12. **Non tentare mai di avvitare gli elementi di fissaggio sia dall'interno che dall'esterno allo stesso tempo.** Gli elementi di fissaggio potrebbero distruggere il materiale e/o volare via, costituendo un grave pericolo.

Pericoli dovuti ai movimenti ripetuti

1. **Quando si utilizza un utensile per periodi di tempo prolungati, l'operatore potrebbe provare disagio alle mani, alle braccia, alle spalle, al collo o in altre parti del corpo.**
2. **Quando si utilizza un utensile, l'operatore dovrebbe adottare una postura idonea ma ergonomica. Mantenere un equilibrio saldo sui piedi ed evitare posture innaturali o sbilanciate.**
3. **Qualora l'operatore provi sintomi quali disagi persistenti o ricorrenti, dolori, palpitazioni, dolenze, formicolii, intorpidimenti, sensazioni di bruciore o rigidità, non ignorare questi segni di avvertimento. L'operatore dovrebbe consultare un operatore sanitario qualificato relativamente alle attività nel loro complesso.**
4. **L'uso continuo dell'utensile potrebbe causare lesioni personali da tensione ripetuta, dovute al contraccolpo prodotto dall'utensile.**
5. **Per evitare lesioni personali da sforzo ripetuto, l'operatore non dovrebbe sporgersi eccessivamente né applicare forza eccessiva. Inoltre, l'operatore dovrebbe fare una pausa quando avverte affaticamento.**
6. **Eseguire una valutazione dei rischi relativa ai pericoli riguardanti i movimenti ripetitivi.** Tale valutazione dovrebbe concentrarsi sui disturbi muscolo-scheletrici ed essere basata preferibilmente sul presupposto che una riduzione dell'affaticamento durante il lavoro sia efficace nel ridurre i disturbi.

Pericoli relativi agli accessori e ai materiali di consumo

1. **Prima di cambiare o sostituire accessori, quali l'elemento di contatto con il pezzo in lavorazione, o di effettuare qualsiasi regolazione, rimuovere il contenitore del gas e la batteria.**
2. **Utilizzare esclusivamente le dimensioni e i tipi di accessori forniti dal produttore.**
3. **Utilizzare esclusivamente i lubrificanti consigliati nel presente manuale.**

Pericoli relativi al posto di lavoro

1. **Scivolamenti, passi falsi e cadute sono cause principali di lesioni personali sul posto di lavoro. Fare attenzione alle superfici scivolose causate dall'utilizzo dell'utensile e anche ai pericoli di inciampare causati dal tubo flessibile del condotto d'aria.**
2. **Procedere con ulteriore attenzione in ambienti circostanti non familiari. Potrebbero essere presenti pericoli nascosti, ad esempio linee elettriche o di altri servizi pubblici.**

3. Il presente utensile non è destinato all'uso in atmosfere potenzialmente esplosive, e non è isolato dall'entrare in contatto con l'energia elettrica.
4. Accertarsi che non siano presenti cavi elettrici, tubi del gas, e così via, che potrebbero causare un pericolo qualora vengano danneggiati dall'utilizzo dell'utensile.
5. Mantenere l'area di lavoro pulita e ben illuminata. Aree di lavoro ingombre o buie favoriscono gli incidenti.
6. Potrebbero sussistere normative locali da rispettare relativamente al rumore, mantenendo i livelli di rumore entro i limiti prescritti. In certi casi, vanno utilizzate delle serrande per contenere il rumore.
3. Indossare indumenti caldi quando si intende lavorare in condizioni di freddo, e tenere le mani calde e asciutte.
4. Qualora si avvertano intorpidimenti, formicolii, dolori o sbiancamenti della pelle delle dita o delle mani, cercare assistenza medica da parte di un operatore sanitario specializzato in medicina del lavoro relativamente alle attività nel loro complesso.
5. Utilizzare e sottoporre a manutenzione l'utensile come consigliato nelle presenti istruzioni, per evitare un aumento non necessario dei livelli delle vibrazioni.
6. Mantenere l'utensile con una presa leggera ma salda, poiché il rischio dovuto alle vibrazioni in genere aumenta quando la forza di impugnatura è più elevata.

Pericoli relativi alle polveri e allo scarico

1. Controllare sempre l'ambiente circostante. Lo scarico dall'utensile potrebbe soffiare polveri oppure oggetti e colpire l'operatore e/o gli astanti.
2. Indirizzare lo scarico in modo da ridurre al minimo i turbini di polveri in ambienti pieni di polveri.
3. Qualora nell'area di lavoro vengano emesse polveri oppure oggetti, ridurre al minimo tali emissioni per quanto possibile, per ridurre i pericoli relativi alla salute e il rischio di lesioni personali.

Pericoli relativi al rumore

1. L'esposizione non protetta a livelli elevati di rumore può causare perdite di udito permanenti e invalidanti, nonché altri problemi quali il tinnito (tintinnii, ronzii, o fischi nelle orecchie).
2. Eseguire una valutazione dei rischi relativa ai pericoli riguardanti i rumori nell'area di lavoro e implementare controlli appropriati relativi a tali pericoli.
3. Controlli appropriati per ridurre il rischio potrebbero includere azioni quali l'uso di materiali fonoassorbenti per evitare che i pezzi in lavorazione di lavoro producano suoni squillanti.
4. Utilizzare protezioni per l'udito appropriate.
5. Utilizzare e sottoporre a manutenzione l'utensile come consigliato nelle presenti istruzioni, per evitare un aumento non necessario dei livelli di rumore.
6. Adottare delle misure per la riduzione dei rumori, ad esempio il posizionamento dei pezzi in lavorazione su supporti fonoassorbenti.

Pericoli relativi alle vibrazioni

1. L'emissione di vibrazioni durante l'uso dipende dalla forza di impugnatura, dalla forza della pressione di contatto, dalla direzione di lavoro, dalla regolazione della fonte di energia, dal pezzo in lavorazione e dal supporto del pezzo in lavorazione. Eseguire una valutazione dei rischi relativa ai pericoli riguardanti le vibrazioni e implementare controlli appropriati relativi a tali pericoli.
2. L'esposizione alle vibrazioni può causare danni invalidanti ai nervi e alla circolazione del sangue alle mani e alle braccia.

Istruzioni di sicurezza aggiuntive per gli utensili a gas

1. Utilizzare l'utensile esclusivamente con il contenitore del gas originale Makita.
2. Fare attenzione quando si utilizzano utensili a gas, in quanto l'utensile può diventare molto caldo, influenzando l'impugnatura e il controllo.
3. Gli utensili a gas per l'applicazione di elementi di fissaggio vanno utilizzati in spazi ventilati.
4. Qualora il gas combustibile liquido entri in contatto con la pelle umana, potrebbero verificarsi lesioni personali.
5. I contenitori del gas vanno contrassegnati in base alle normative sui trasporti richieste.
6. Maneggiare con attenzione i contenitori del gas e verificare l'eventuale presenza di danni. Contenitori del gas danneggiati possono esplodere e causare lesioni personali.
7. Leggere e attenersi alle istruzioni fornite in dotazione con il contenitore del gas.
8. Accertarsi che materiali combustibili non vengano esposti a gas di scarico molto caldi.
9. Non utilizzare utensili a gas in aree esplosive, in quanto le scintille generate nell'utensile potrebbero causare un incendio o un'esplosione.
10. I contenitori del gas non vanno conservati con disattenzione o a temperature elevate. Attenersi alle normative locali e alle istruzioni del contenitore del gas per informazioni su come maneggiare e smaltire contenitori del gas e batterie o accumulatori.
11. Per gli utensili a gas, una piccola emissione di gas potrebbe venire generata dalle normali operazioni.

Uso e manutenzione degli strumenti a batterie

1. Ricaricare solo con il caricabatterie specificato dal produttore. Un caricabatterie appropriato per un tipo di batteria potrebbe creare un rischio di incendio, se utilizzato con un'altra batteria.
2. Utilizzare gli utensili elettrici solo con le batterie specificamente designate. L'uso di qualsiasi altra batteria potrebbe creare un rischio di lesioni personali e incendi.

3. **Quando la batteria non è in uso, tenerla lontana da altri oggetti metallici, quali graffette, monete, chiavi, chiodi, viti o altri piccoli oggetti metallici, che potrebbero fare contatto tra terminali diversi.** Il cortocircuito dei terminali della batteria può causare ustioni o incendi.
4. **In condizioni di uso improprio, la batteria potrebbe emettere un liquido: evitare il contatto con tale liquido. Qualora si verifichi un contatto accidentale con il liquido, lavare abbondantemente con acqua. Qualora il liquido entri in contatto con gli occhi, richiedere anche assistenza medica.** Il liquido espulso dalla batteria può causare irritazioni o ustioni.
5. **Non utilizzare una batteria o un utensile che siano danneggiati o che siano stati modificati.** Batterie danneggiate o modificate potrebbero mostrare un comportamento imprevedibile che può risultare in incendi, esplosioni o nel rischio di lesioni personali.
6. **Non esporre una batteria o un utensile al fuoco o a temperature eccessive.** L'esposizione al fuoco o a temperature superiori ai 130 °C potrebbe causare un'esplosione.
7. **Attenersi a tutte le istruzioni relative alla carica e non caricare la batteria o l'utensile al di fuori della gamma di temperature specificata nelle istruzioni.** Una carica inappropriata o a temperature al di fuori della gamma specificata potrebbe danneggiare la batteria e incrementare il rischio di incendio.

Dispositivi di sicurezza

1. **Accertarsi che tutti i sistemi di sicurezza siano perfettamente funzionanti prima dell'uso.** L'utensile non deve attivarsi se si preme solo l'interruttore a grilletto o se si preme solo il braccio di contatto contro il legno. L'utensile deve funzionare solo quando si eseguono entrambe queste azioni. Verificare il possibile funzionamento difettoso senza caricare gli elementi di fissaggio e con il dispositivo di spinta in posizione completamente tirata.
2. **Il fissaggio del grilletto sulla posizione ACCESO è estremamente pericoloso.** Non tentare mai di fissare il grilletto.
3. **Non tentare di mantenere l'elemento di contatto premuto con nastro o fil di ferro.** In caso contrario, sussiste il pericolo di morte o di gravi lesioni personali.
4. **Controllare sempre l'elemento di contatto come indicato nel presente manuale.** Gli elementi di fissaggio potrebbero venire avvitati accidentalmente, qualora il meccanismo di sicurezza non funzioni correttamente.

Assistenza

1. **Effettuare la pulizia e la manutenzione subito dopo aver terminato il lavoro.** Mantenere l'utensile in condizioni ottimali. Lubrificare le parti mobili per evitare che si arrugginiscono e ridurre al minimo l'usura relativa alla frizione. Pulire tutte le polveri dalle parti.
2. **Richiedere a un centro di assistenza autorizzato Makita l'ispezione a intervalli regolari dell'utensile.**

3. **Per preservare la SICUREZZA e l'AFFIDABILITÀ del prodotto, la manutenzione e la riparazione vanno eseguite da parte di centri di assistenza autorizzati Makita, utilizzando sempre pezzi di ricambio Makita.**
4. **Attenersi alle normative locali quando si intende smaltire l'utensile.**

CONSERVARE LE PRESENTI ISTRUZIONI.

⚠AVVERTIMENTO: NON lasciare che comodità o la familiarità d'utilizzo con il prodotto (acquisita con l'uso ripetuto) sostituisca la stretta osservanza delle norme di sicurezza per il prodotto in questione. L'USO IMPROPRIO o la mancata osservanza delle norme di sicurezza indicate nel presente manuale di istruzioni potrebbero causare gravi lesioni personali.

Istruzioni di sicurezza importanti per la cartuccia della batteria

1. **Prima di utilizzare la cartuccia della batteria, leggere tutte le istruzioni e le avvertenze riportate (1) sul caricabatteria, (2) sulla batteria e (3) sul prodotto che utilizza la batteria.**
2. **Non smontare la cartuccia della batteria.**
3. **Qualora il tempo di utilizzo si riduca eccessivamente, interrompere immediatamente l'utilizzo dell'utensile. In caso contrario, si può incorrere nel rischio di surriscaldamento, possibili ustioni e persino un'esplosione.**
4. **Qualora l'elettrolita entri in contatto con gli occhi, sciacquarli con acqua pulita e richiedere immediatamente assistenza medica. Questa eventualità può risultare nella perdita della vista.**
5. **Non cortocircuitare la cartuccia della batteria:**
 - (1) **Non toccare i terminali con alcun materiale conduttivo.**
 - (2) **Evitare di conservare la cartuccia della batteria in un contenitore insieme ad altri oggetti metallici quali chiodi, monete, e così via.**
 - (3) **Non esporre la cartuccia della batteria all'acqua o alla pioggia.**

Un cortocircuito della batteria può causare un grande flusso di corrente, un surriscaldamento, possibili ustioni e persino un guasto.
6. **Non conservare l'utensile e la cartuccia della batteria in ubicazioni in cui la temperatura possa raggiungere o superare i 50°C.**
7. **Non incenerire la cartuccia della batteria anche qualora sia gravemente danneggiata o completamente esaurita. La cartuccia della batteria può esplodere se a contatto con il fuoco.**
8. **Fare attenzione a non far cadere e a non colpire la batteria.**
9. **Non utilizzare una batteria danneggiata.**
10. **Le batterie a ioni di litio contenute sono soggette ai requisiti del regolamento sul trasporto di merci pericolose (Dangerous Goods Legislation).**

Per trasporti commerciali, ad esempio da parte di terzi o spedizionieri, è necessario osservare dei requisiti speciali sull'imballaggio e sull'etichetta. Per la preparazione dell'articolo da spedire, è richiesta la consulenza di un esperto in materiali pericolosi. Attenersi anche alle normative nazionali, che potrebbero essere più dettagliate. Nastrare o coprire i contatti aperti e imballare la batteria in modo tale che non si possa muovere liberamente all'interno dell'imballaggio.

11. **Quando si intende smaltire la cartuccia della batteria, rimuoverla dall'utensile e smaltirla in un luogo sicuro. Attenersi alle normative locali relative allo smaltimento della batteria.**
12. **Utilizzare le batterie esclusivamente con i prodotti specificati da Makita.** L'installazione delle batterie in prodotti non compatibili potrebbe risultare in incendi, calore eccessivo, esplosioni o perdite di liquido elettrolitico.
13. **Se l'utensile non viene utilizzato per un periodo di tempo prolungato, la batteria deve essere rimossa dall'utensile.**

CONSERVARE LE PRESENTI ISTRUZIONI.

⚠ATTENZIONE: Utilizzare solo batterie originali Makita. L'utilizzo di batterie Makita non originali, o di batterie che siano state alterate, potrebbe risultare nello scoppio della batteria, causando incendi, lesioni personali e danni. Inoltre, ciò potrebbe invalidare la garanzia Makita per l'utensile e il caricabatterie Makita.

Suggerimenti per preservare la durata massima della batteria

1. **Caricare la cartuccia della batteria prima che si scarichi completamente. Smettere sempre di utilizzare l'utensile e caricare la cartuccia della batteria quando si nota che la potenza dell'utensile è diminuita.**
2. **Non ricaricare mai una cartuccia della batteria completamente carica. La sovraccarica riduce la vita utile della batteria.**
3. **Caricare la cartuccia della batteria a una temperatura ambiente compresa tra 10°C e 40°C. Lasciar raffreddare una cartuccia della batteria prima di caricarla.**

Panoramica sulla chiodatrice

- Fig.1: 1. Sportellino del carburante 2. Grilletto 3. Caricatore 4. Leva dell'elemento di spinta 5. Pulsante dell'elemento di spinta 6. Elemento di contatto 7. Apertura di scarico 8. Lampada 9. Indicatore luminoso 10. Cartuccia della batteria

DESCRIZIONE DELLE FUNZIONI

⚠ATTENZIONE:

- Accertarsi sempre di rimuovere il contenitore del gas, la cartuccia della batteria e i chiodi, prima di regolare o di controllare il funzionamento dell'utensile.

Installazione o rimozione della cartuccia della batteria

⚠ATTENZIONE:

- Spegnerne sempre l'utensile prima di installare o rimuovere la cartuccia della batteria.
- **Mantenere saldamente l'utensile e la cartuccia della batteria, quando si intende installare o rimuovere la cartuccia della batteria.** Qualora non si mantengono saldamente l'utensile e la cartuccia della batteria, questi ultimi potrebbero scivolare dalle mani, con la possibilità di causare un danneggiamento dell'utensile e della cartuccia della batteria, nonché lesioni personali.

► Fig.2: 1. Cartuccia della batteria

Per installare la cartuccia della batteria, mantenerla in modo che la forma anteriore della cartuccia della batteria combaci con quella dell'apertura di installazione della batteria, quindi farla scivolare in sede. Inserirla completamente fino a quando si innesta in sede con un piccolo scatto.

► Fig.3: 1. Cartuccia della batteria 2. Pulsante

Per rimuovere la cartuccia della batteria, estrarla dall'utensile tenendo premuti entrambi i lati della cartuccia.

⚠ATTENZIONE:

- Inserire sempre a fondo la cartuccia della batteria, fino al suo arresto in sede. In caso contrario, la batteria potrebbe cadere accidentalmente dall'utensile, causando lesioni personali all'operatore o a chi gli è vicino.
- Non installare forzatamente la cartuccia della batteria. Qualora la batteria non si inserisca scorrendo agevolmente, vuol dire che non viene inserita correttamente.

Accensione della lampada

⚠ATTENZIONE:

- Non osservare né guardare direttamente la fonte di luce.

► Fig.4: 1. Pulsante della lampada

Per accendere la lampada, premere il pulsante della lampada. Per spegnere la lampada, premere di nuovo il pulsante della lampada.

Contenitore del gas

Applicazione della valvola dosatrice sul contenitore del gas

► **Fig.5:** 1. Valvola dosatrice 2. Cappuccio

Staccare il cappuccio (nel caso in cui la valvola dosatrice sia dotata di cappuccio).

► **Fig.6**

Premere il bordo anteriore per farlo rientrare.

► **Fig.7**

Premere il bordo posteriore fino a farlo innestare in sede.

Inserimento del contenitore del gas

► **Fig.8**

Premere verso l'alto e tirare lo sportellino del carburante per aprirlo.

► **Fig.9:** 1. Ugello a getto puntiforme

Inserire il contenitore del gas orientando l'ugello a getto puntiforme della valvola dosatrice verso l'adattatore.

► **Fig.10**

Inserire correttamente l'ugello a getto puntiforme nel piccolo foro dell'adattatore.

► **Fig.11**

Posizionare lo sportellino del carburante sulla valvola dosatrice e premerlo verso il basso per chiuderlo.

Regolazione della profondità di chiodatura

⚠ATTENZIONE:

- Rimuovere il contenitore del gas, la cartuccia della batteria e i chiodi, prima di regolare la profondità di chiodatura.

► **Fig.12:** 1. Regolatore

Per ottenere una minore profondità, ruotare il regolatore verso destra, come indicato nella figura. Per ottenere una maggiore profondità, ruotare il regolatore verso sinistra. Non ruotare troppo il regolatore, altrimenti quest'ultimo potrebbe restare incastrato.

Indicatore luminoso

Il colore dell'indicatore luminoso ha i significati seguenti.

Lampeggiante in verde: Stato normale

Lampeggiante in rosso: È necessario ricaricare la cartuccia della batteria

Illuminato in rosso: Ricaricare la cartuccia della batteria. Non è possibile eseguire la chiodatura a causa dell'esaurimento della carica residua della batteria.

Lampeggiante in arancione: Si consiglia di effettuare la pulizia completa. Per pulire completamente l'interno dell'utensile, vedere la sezione "MANUTENZIONE". Per annullare il lampeggiamento arancione dell'indicatore luminoso, premere l'elemento di contatto per cinque secondi, quindi premere l'elemento di contatto cinque volte.

Lampeggiante in arancione dopo aver lampeggiato alternativamente in verde e in rosso: È in corso il rilevamento guasti. Rimuovere e reinserire la cartuccia della batteria per eseguire il ripristino. Qualora il rilevamento guasti venga eseguito di nuovo, sussiste una condizione di malfunzionamento. Richiederne la riparazione al proprio centro di assistenza Makita locale.

Gancio

⚠**ATTENZIONE:** Rimuovere sempre la batteria quando si intende appendere l'utensile. Non appendere l'utensile alla propria cintura.

► **Fig.13:** 1. Gancio

Il gancio è comodo per appendere temporaneamente l'utensile.

È possibile impostare il gancio in due posizioni, a seconda di dove si intende appendere l'utensile.

Per cambiare la posizione del gancio, premerne i piedini da entrambi i lati e spostarlo in un'altra posizione.

MONTAGGIO

⚠ATTENZIONE:

- Prima di effettuare qualsiasi intervento sull'utensile, rimuovere sempre il contenitore del gas e la cartuccia della batteria.

Caricamento della chiodatrice

► **Fig.14:** 1. Pulsante

Inserire un nastro di chiodi nella fessura sul retro del caricatore. I chiodi si arrestano all'entrata del caricatore a causa del fermo dei chiodi. Sbloccare il caricatore premendo il pulsante del fermo dei chiodi per inserire questi ultimi.

► **Fig.15:** 1. Leva dell'elemento di spinta

Tirare la leva dell'elemento di spinta premendo al tempo stesso il pulsante dell'elemento di spinta fino in fondo sul retro del caricatore. Quindi, rilasciare il pulsante dell'elemento di spinta, e riportare delicatamente la leva dell'elemento di spinta alla fine del nastro.

Rimozione dei chiodi

► **Fig.16:** 1. Leva dell'elemento di spinta 2. Fermo dei chiodi

Tirare la leva dell'elemento di spinta e premere il pulsante dell'elemento di spinta per sbloccare il sostegno dei chiodi, quindi riportare la leva dell'elemento di spinta in alto premendo il pulsante dell'elemento di spinta. Far scorrere i chiodi verso il lato posteriore del caricatore. I chiodi si arrestano all'entrata del caricatore a causa del fermo dei chiodi. Sbloccare il caricatore premendo il pulsante del fermo dei chiodi per rimuovere questi ultimi.

Sostituzione del caricatore (accessorio opzionale)

► **Fig.17:** 1. Bullone

È disponibile un caricatore di lunghezza diversa, come accessorio opzionale.

Per sostituire il caricatore, allentare il bullone e rimuovere il caricatore. Quindi, installare il nuovo caricatore. E serrare il bullone sul caricatore.

FUNZIONAMENTO

⚠AVVERTIMENTO:

- **Non toccare l'area circostante l'apertura di scarico.** La superficie ha una temperatura estremamente elevata, durante o dopo l'uso. Qualora si tocchi l'area circostante l'apertura di scarico, si potrebbero causare ustioni o lesioni personali.

⚠ATTENZIONE:

- Accertarsi che tutti i sistemi di sicurezza funzionino correttamente, prima dell'uso.

Controllo del funzionamento corretto prima dell'uso

Prima dell'uso, controllare sempre i punti seguenti.

- Accertarsi che l'utensile non si attivi mediante la sola installazione della cartuccia della batteria e del contenitore del gas.
- Accertarsi che l'utensile non funzioni mediante la sola pressione del grilletto.
- Accertarsi che l'utensile non funzioni mediante il solo appoggio dell'elemento di contatto contro il pezzo in lavorazione senza aver premuto il grilletto.
- Accertarsi che l'utensile non funzioni quando si preme prima il grilletto e poi si appoggia l'elemento di contatto contro il pezzo in lavorazione.

Applicazione dei chiodi

► Fig.18

1. Per applicare un chiodo, appoggiare l'elemento di contatto contro il pezzo in lavorazione. La ventola del motore si attiva, il gas combustibile viene iniettato nella camera di combustione e miscelato con l'aria dalla ventola.

► Fig.19: 1. Grilletto

2. Tenere fermo l'elemento di contatto premendolo saldamente e premere il grilletto. Il gas combustibile viene sottoposto a combustione e il chiodo viene applicato.
3. È possibile eseguire un'ulteriore applicazione solo dopo aver rilasciato sia l'elemento di contatto che il grilletto.

Applicazione di chiodi su calcestruzzo

⚠AVVERTIMENTO:

- Per il calcestruzzo, utilizzare esclusivamente chiodi di acciaio temprato. L'impiego di chiodi destinati ad altri scopi potrebbe causare gravi lesioni personali. Non applicare chiodi direttamente sul calcestruzzo. La mancata osservanza di questa avvertenza potrebbe far volare via frammenti di calcestruzzo o causare il colpo all'indietro dei chiodi, con conseguenti gravi lesioni personali.
- Quando si applicano i chiodi, tenere l'utensile in modo che sia perpendicolare alla superficie di applicazione. La chiodatura inclinata potrebbe far volare via frammenti di calcestruzzo o causare il colpo all'indietro dei chiodi, con conseguenti gravi lesioni personali.
- Non utilizzare l'utensile su una superficie da cui pendano degli oggetti, ad esempio un'area in cui siano installate sospensioni per tubi delle fognature, tubi di aspirazione polveri, e così via

⚠ATTENZIONE:

- Utilizzare questo utensile esclusivamente per calcestruzzo morbido che sia stato edificato di recente. L'utilizzo su calcestruzzo duro potrebbe causare la piegatura dei chiodi o l'applicazione dei chiodi a profondità insufficiente.
- Quando è richiesta un'entità di penetrazione nel calcestruzzo superiore a 20 mm, potrebbe non essere possibile ottenere l'applicazione dei chiodi alla lunghezza sufficiente. I chiodi potrebbero venire applicati troppo in superficie, causando un pezzo in lavorazione instabile e risultando in lesioni personali e danni alle cose.
- Quando si intende applicare chiodi direttamente su superfici dure, quali acciaio e calcestruzzo, premere saldamente l'elemento di contatto contro il pezzo in lavorazione per evitare scivolamenti.

Scegliere e utilizzare chiodi appropriati, che consentano un'entità di penetrazione nel calcestruzzo compresa tra 15 mm e 20 mm.

- Fig.20: 1. Lastra di acciaio sottile 2. Entità di penetrazione nel calcestruzzo

Meccanismo di prevenzione dello sparo a vuoto

Questo meccanismo evita che l'utensile spari senza un chiodo.

La prevenzione dello sparo a vuoto entra in funzione automaticamente quando i chiodi restanti arrivano agli ultimi 2-3 pezzi.

Chiodatrice inceppata

⚠AVVERTIMENTO:

- Prima di rimuovere un inceppamento, accertarsi sempre di rimuovere il contenitore del gas e la cartuccia della batteria.

⚠ATTENZIONE:

- Non utilizzare chiodi o un nastro di chiodi deformati. In caso contrario, si causa un'alimentazione scadente dei chiodi.

Attenersi alla procedura di rimozione dei chiodi e rimuovere i chiodi inceppati.

► **Fig.21:** 1. Caricatore

Rimuovere il contenitore del gas, la cartuccia della batteria e i chiodi.

Allentare il bullone sul caricatore. Rimuovere il caricatore e rimuovere i chiodi inceppati.

► **Fig.22**

Qualora non sia possibile rimuovere i chiodi dopo aver applicato il metodo indicato sopra, attenersi alla procedura seguente.

Inserire una piccola asta metallica o un oggetto simile nel foro di espulsione e colpirla leggermente con un martello per far fuoriuscire i chiodi inceppati dal foro di espulsione.

► **Fig.23:** 1. Guida sotto il propulsore 2. Bullone

► **Fig.24**

Qualora continuino a restare dei chiodi nel foro di espulsione, attenersi alla procedura seguente.

Allentare i bulloni sul foro di espulsione utilizzando una chiave esagonale. Rimuovere la guida sotto il propulsore. Quindi, rimuovere i chiodi inceppati.

Rimontare la guida sotto il propulsore e serrare i bulloni dopo aver rimosso i chiodi inceppati.

Rimontare il caricatore e serrare il bullone.

MANUTENZIONE

⚠ATTENZIONE:

- Prima di tentare di eseguire interventi di ispezione o manutenzione, rimuovere sempre il contenitore del gas, la cartuccia della batteria e i chiodi.
- Non utilizzare mai benzina, benzene, solventi, alcol o sostanze simili. In caso contrario, si potrebbero causare scolorimenti, deformazioni o spaccature.

Manutenzione dopo il lavoro quotidiano

Prima dell'uso, controllare sempre la condizione generale dell'utensile e l'eventuale presenza di viti allentate. Serrare queste ultime, se necessario.

Alla fine del lavoro quotidiano, eseguire una routine di fine giornata lavorativa.

Questa semplice procedura è basata sul mantenimento della sicurezza e delle prestazioni dell'utensile.

Prima di lasciare la sede di lavoro:

- Rimuovere la cartuccia della batteria e conservarla in una cassetta portautensili. Utilizzare sempre la cassetta portautensili per trasportare e conservare l'utensile.
- Smaltire tutti i contenitori del gas vuoti in un'ubicazione in cui non possano venire trovati da bambini o venire schiacciati, perforati o bruciati.

Quando si arriva al proprio domicilio:

- Inserire la cartuccia della batteria nel suo caricatore, qualora necessiti di ricarica, come indicato dall'indicatore luminoso rosso.
- Pulire l'utensile con un panno pulito e morbido.
- Controllare il filtro e pulirlo, qualora sia impolverato.

Pulizia del filtro dell'aria

► **Fig.25:** 1. Coperchio del filtro

► **Fig.26:** 1. Coperchio del filtro 2. Filtro

Premere leggermente verso l'alto il coperchio del filtro e rimuovere quest'ultimo. Quindi, sollevare semplicemente il filtro per estrarlo. Dare dei leggeri colpetti al filtro per rimuovere eventuali polveri. Acqua e sapone fanno tornare il filtro quasi come nuovo. Per preservare la SICUREZZA e l'AFFIDABILITÀ del prodotto, le riparazioni e qualsiasi altro intervento di manutenzione e di regolazione devono essere eseguiti da centri di assistenza autorizzati Makita, utilizzando sempre pezzi di ricambio Makita.

Pulizia completa

Qualora si verifichi spesso lo sparo a vuoto, significa che l'utensile deve essere sottoposto a pulizia completa. Consultare la guida di pulizia allegata per i dettagli, ed eseguire la pulizia.

In caso di domande relative alla pulizia, rivolgersi al proprio centro di assistenza locale Makita.

ACCESSORI OPZIONALI

⚠ATTENZIONE:

- Questi accessori o componenti aggiuntivi sono consigliati per l'uso con l'utensile Makita specificato nel presente manuale. L'utilizzo di altri accessori o componenti aggiuntivi potrebbe costituire un rischio di lesioni alle persone. Utilizzare un accessorio o un componente aggiuntivo solo per lo scopo a cui è destinato.

Qualora sia necessaria assistenza per ottenere ulteriori dettagli relativamente a questi accessori, rivolgersi al proprio centro di assistenza locale Makita.

- Chiodi
- Caricatore
- Occhiali di sicurezza
- Contenitore del gas
- Kit di pulizia
- Batteria e caricabatterie originali Makita

NOTA:

- Alcuni articoli nell'elenco potrebbero essere inclusi nella confezione dell'utensile come accessori in dotazione. Tali articoli possono variare da una nazione all'altra.

TECHNISCHE GEGEVENS

Model	GN420C	
Capaciteit nagelmagazijn	20 nagels (2 strips)	40 nagels (4 strips)
Afmetingen (l x b x h)	315 mm x 108 mm x 390 mm	430 mm x 108 mm x 390 mm
Nettogewicht	3,6 kg	3,8 kg
Nagellengte x schachtdiameter	Nagel l: 15 mm - 40 mm d: 2,6 mm - 3,1 mm	
Nominale spanning	7,2 V gelijkstroom	

- Als gevolg van ons doorlopende onderzoeks- en ontwikkelingsprogramma, zijn de technische gegevens onderhevig aan veranderingen zonder voorafgaande kennisgeving.
- De technische gegevens en de accu kunnen van land tot land verschillen.

Symbolen

Hieronder staan de symbolen die voor het gereedschap worden gebruikt. Zorg ervoor dat u weet wat ze betekenen alvorens het gereedschap te gebruiken.

	Lees de gebruiksaanwijzing.
	Patroon onder druk, blij uit de buurt van temperaturen hoger dan 50 °C (bijvoorbeeld zonnestraling). Bewaar de patroon op een goed geventileerde plaats.
	Gebruik uitsluitend buitenshuis of in een goed geventileerd vertrek. Adem het gas niet in.
	Gebruik niet in de buurt van vuur of sprays op verwarmde oppervlakken. Kan tijdens gebruik brandbare/explosieve damp-luchtmengsels produceren.
	Niet beschadigen, doorboren of verbranden, ook niet na gebruik.
	Draag een veiligheidsbril.
	Draag gehoorbescherming.
	Draag gehoorbescherming.
	Draag gehoorbescherming.
	Houd uw vingers uit de buurt van de trekker wanneer u niet wilt nagelen om het per ongeluk afschieten van bevestigingsmiddelen te voorkomen.
	Gebruik uitsluitend in een geventileerde ruimte om misselijkheid en bewusteloosheid te voorkomen. Gebruik het gereedschap nooit in een brandbare omgeving. De uitlaat van het gereedschap kan brandbare materialen doen ontbranden.
	Niet gebruiken op een steiger of ladder.
	Waarschuwing: heet oppervlak! Niet aanraken rondom dit symbool. Door het oppervlak aan te raken kunnen brandwonden of letsel ontstaan.



Alleen voor EU-landen
Geef elektrisch gereedschap en accu's niet met het huisvuil mee!
Volgens de Europese richtlijn inzake oude elektrische en elektronische apparaten, en inzake batterijen en accu's en oude batterijen en accu's, en de toepassing daarvan binnen de nationale wetgeving, dienen elektrisch gereedschappen, accu's en batterijen die het einde van hun levensduur hebben bereikt, gescheiden te worden ingezameld en te worden afgevoerd naar een recyclebedrijf dat voldoet aan de geldende milieueisen.

Gebruiksdoeleinden

Het gereedschap is bedoeld om een dunne staalplaat op beton te bevestigen.

Geluidsniveau

De typische, A-gewogen geluidsniveaus zijn gemeten volgens EN ISO 11148-13:

Geluidsdrumniveau (L_{pA}): 96 dB (A)
Geluidsvermogeniveau (L_{WA}): 100 dB (A)
Onzekerheid (K): 3 dB (A)

Draag gehoorbescherming

Trilling

De totale trillingswaarde zoals vastgesteld volgens EN ISO 11148-13:

Trillingsemmissie (a_{h1}): 3,5 m/s²
Onzekerheid (K): 1,5 m/s²

OPMERKING: De opgegeven trillingsemmissiewaarde is gemeten volgens de standaardtestmethode en kan worden gebruikt om dit gereedschap te vergelijken met andere gereedschappen.

OPMERKING: De opgegeven trillingsemmissiewaarde kan ook worden gebruikt voor een beoordeling vooraf van de blootstelling.

⚠️ WAARSCHUWING: De trillingsemmissie tijdens het gebruik van het elektrisch gereedschap in de praktijk kan verschillen van de opgegeven trillingsemmissiewaarde afhankelijk van de manier waarop het gereedschap wordt gebruikt.

⚠️ WAARSCHUWING: Zorg ervoor dat veiligheidsmaatregelen worden getroffen ter bescherming van de operator die zijn gebaseerd op een schatting van de blootstelling onder praktijkomstandigheden (rekening houdend met alle fasen van de bedrijfs-cyclus, zoals de tijdsduur gedurende welke het gereedschap is uitgeschakeld en stationair draait, naast de ingeschakelde tijdsduur).

EG-verklaring van conformiteit

Alleen voor Europese landen

De EG-verklaring van conformiteit is bijgevoegd als Bijlage A bij deze gebruiksaanwijzing.

Veiligheidswaarschuwingen voor een gasnagelpistool

⚠️ WAARSCHUWING: Lees alle veiligheids-waarschuwingen en alle instructies. Het niet volgen van de waarschuwingen en instructies kan leiden tot elektrische schokken, brand en/of ernstig letsel.

Bewaar alle waarschuwingen en instructies om in de toekomst te kunnen raadplegen.

Omwille van uw persoonlijke veiligheid en de juiste werking en onderhoud van het gereedschap, leest u deze gebruiksaanwijzing alvorens het gereedschap te gebruiken.

Algemene veiligheidswaarschuwingen

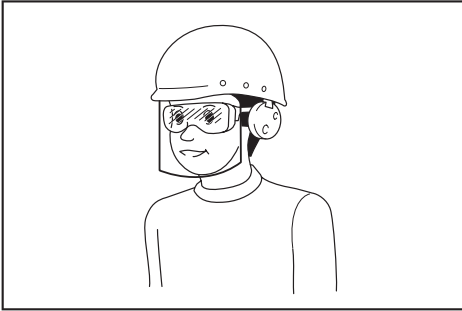
1. **Al het overige gebruik buiten het beoogde gebruik van dit gereedschap is verboden. Gereedschappen die bevestigingsmiddelen aanebrengen door middel van continu herhaaldelijk schieten of herhaaldelijk schieten mogen uitsluitend worden gebruikt in productietoepassingen.**
2. **Houd uw vingers uit de buurt van de trekker wanneer u het gereedschap niet gebruikt en wanneer u het verplaatst van de ene werkplek naar de andere.**
3. **Meerdere gevaren. U moet de veiligheidsinstructies lezen en begrijpen voordat u het gereedschap aansluit, loskoppelt, laadt, bedient, onderhoudt, van accessoires voorziet of in de buurt ervan werkt. Als u dit niet doet, kan dat leiden tot ernstig lichamelijke letsel.**
4. **Houd alle lichaamsdelen, zoals handen, benen, enz., uit de schietrichting en verzeker u ervan dat het bevestigingsmiddel niet door het werkstuk heen in een lichaamsdeel kan schieten.**
5. **Wees bij gebruik van het gereedschap erop bedacht dat het bevestigingsmiddel kan afketsen en letsel kan veroorzaken.**

6. **Houd het gereedschap stevig vast en wees voorbereid om de terugslag op te vangen.**
7. **Alleen vakbekwame gebruikers mogen het bevestigingsgereedschap bedienen.**
8. **Wijzig het bevestigingsgereedschap niet. Wijzigingen kunnen de effectiviteit van de veiligheidsvoorzieningen verlagen en de risico's voor de gebruiker en/of omstanders vergroten.**
9. **Gooi de gebruiksaanwijzing niet weg.**
10. **Gebruik het gereedschap niet als het gereedschap beschadigd is.**
11. **Wees voorzichtig bij het hanteren van de bevestigingsmiddelen, met name bij het laden en verwijderen, omdat de bevestigingsmiddelen scherpe punten hebben die letsel kunnen veroorzaken.**
12. **Controleer het gereedschap altijd vóór gebruik op kapotte, verkeerd aangesloten of versleten onderdelen.**
13. **Reik niet te ver. Gebruik uitsluitend op een veilige werkplek. Zorg altijd voor een stevige stand en goede lichaamsbalans.**
14. **Houd omstanders uit de buurt (bij het werken op een plaats waar waarschijnlijk mensen voorbij komen). Zet uw werkgebied duidelijk af.**
15. **Richt het gereedschap nooit op uzelf of anderen.**
16. **Plaats uw vinger nooit om de trekker wanneer u het gereedschap oppakt, wanneer u naar een andere werkplek of -positie gaat, en wanneer u met het gereedschap loopt omdat de vinger om de trekker tot onbedoelde bediening van het gereedschap kan leiden. Voor gereedschappen waarop de bedieningsfunctie kan worden gekozen, controleert u altijd het gereedschap vóór gebruik om er zeker van te zijn dat de correcte bedieningsfunctie is gekozen.**
17. **Draag uitsluitend handschoenen die voldoende gevoel en een veilige bediening van de trekker en alle afstel mogelijkheden bieden.**
18. **Als u het gereedschap neerlegt, legt u het neer op een vlakke ondergrond. Als u de haak van het gereedschap gebruikt, hangt u het gereedschap veilig op een stabiel oppervlak op.**
19. **Bedien het gereedschap niet onder invloed van alcohol, drugs en dergelijke.**

Gevaren door projectielen

1. **Het bevestigingsgereedschap moet worden losgekoppeld wanneer bevestigingsmiddelen worden verwijderd, afstellingen worden gemaakt, vastgelopen bevestigingsmiddelen worden verwijderd en accessoires worden verwisseld.**
2. **Let er tijdens gebruik op dat de bevestigingsmiddelen het materiaal correct penetreren en niet kunnen afketsen of per ongeluk in de richting van de gebruiker en/of omstanders worden geschoten.**
3. **Tijdens gebruik kan afval vanaf het werkstuk en het bevestigings-/verzamelstelsel worden weggegooid.**

4. Draag tijdens het gebruik van elektrisch gereedschap altijd een veiligheidsbril om uw ogen te beschermen tegen letsel. De bril moet voldoen aan ANSI Z87.1 in de Verenigde Staten, aan EN 166 in Europa, en aan AS/NZS 1336 in Australië en Nieuw-Zeeland. In Australië en Nieuw-Zeeland is het wettelijk verplicht om tevens een spatscherm te dragen om uw gezicht te beschermen.



Het is de verantwoordelijkheid van de werkgever om ervoor te zorgen dat geschikte beschermingsmiddelen gebruikt worden door de gebruikers van het gereedschap en anderen in de onmiddellijke omgeving van de werkplek.

5. De risico's voor anderen moeten worden beoordeeld door de gebruiker.
6. Wees voorzichtig met gereedschappen zonder contactschonen omdat deze onbedoeld kunnen worden afgeschoten en letsel kunnen veroorzaken bij de gebruiker en/of omstanders.
7. Zorg er altijd voor dat het gereedschap veilig op het werkstuk is geplaatst en niet kan wegglijden.
8. Draag gehoorbescherming om uw oren te beschermen tegen het uitlaatgeluid en draag hoofdbescherming. Draag tevens lichte maar geen losse kleding. Manchetten moeten dichtgeknoopt zijn of de mouwen moeten worden opgerold. Draag geen stropdas.

Gevaren bij gebruik

1. Houd het gereedschap correct vast: wees voorbereid om normale of plotselinge bewegingen, zoals terugslag, op te vangen.
2. Zorg voor een goede lichaamsbalans en stevige stand.
3. Een geschikte veiligheidsbril moet worden gebruikt en geschikte handschoenen en beschermende kleding worden aanbevolen.
4. Geschikte gehoorbescherming moet worden gedragen.
5. Gebruik de correcte voeding, zoals beschreven in de gebruiksaanwijzing.
6. Gebruik het gereedschap niet op bewegende platformen of in de laadruimte van vrachtwagens. Door een plotselinge beweging van het platform kunt u de controle over het gereedschap verliezen en kan letsel worden veroorzaakt.
7. Ga er altijd vanuit dat in het gereedschap bevestigingsmiddelen zitten.
8. Werk niet gehaast en forceer het gereedschap niet. Hanteer het gereedschap voorzichtig.

9. Zorg ervoor dat u tijdens het gebruik van het gereedschap stevig staat en uw evenwicht goed bewaart. Controleer of er zich niemand beneden u bevindt wanneer u op hoge plaatsen gaat werken.
10. Op daken en andere hoge plaatsen schroeft u bevestigingsmiddelen erin terwijl u voorwaarts beweegt. U glijdt gemakkelijk weg als u bevestigingsmiddelen erin schroeft terwijl u achterwaarts kruipt. Als u bevestigingsmiddelen in een rechtopstaande ondergrond schroeft, werkt u van boven naar beneden. U kunt op deze manier schroeven zonder snel vermoeid te raken.
11. Een bevestigingsmiddel zal krom gaan of het gereedschap kan vastlopen als u per ongeluk bovenop een ander bevestigingsmiddel of in een knoest in het hout schroeft. Het bevestigingsmiddel kan wegschieten en iemand raken, of het gereedschap zelf kan gevaarlijk terugslaan. Kies de plaats voor het bevestigingsmiddel met zorg.
12. Probeer nooit tegelijkertijd van binnenuit en van buitenaf bevestigingsmiddelen erin te schroeven. De bevestigingsmiddelen kunnen er dwars doorheen schieten of afketsen en een groot gevaar opleveren.

Gevaren door herhalende bedieningen

1. Wanneer een gereedschap gedurende een lange tijd wordt gebruikt, kan de gebruiker een oncomfortabel gevoel ervaren in de handen, armen, schouders, nek of andere lichaamsdelen.
2. Bij gebruik van een gereedschap moet de gebruiker een geschikte en ergonomische houding aannemen. Zorg ervoor dat u stevig staat en vermijd lastige en ongebalanceerde houdingen.
3. Als de gebruiker symptomen ervaart, zoals aanhoudende of terugkerende ongemakken, pijn, kloppingen, tintelen, gevoelloosheid, brandend gevoel of stijfheid, mag u deze tekenen niet negeren. De gebruiker dient een vakbekwame zorgmedewerker te raadplegen aangaande zijn algemene activiteiten.
4. Het ononderbroken gebruik van het gereedschap kan leiden tot RSI (Repetitive Strain Injury) als gevolg van de terugslag van het gereedschap.
5. Om RSI (Repetitive Strain Injury) te voorkomen, mag de gebruiker niet te ver reiken of buitensporige kracht uitoefenen. Bovendien moet de gebruiker rusten wanneer hij/zij zich moe voelt.
6. Voer een risicobeoordeling uit met betrekking tot het gevaar van zich herhalende bewegingen. Deze moet zich richten op skelet-spieeraanodoeningen en dient bij voorkeur te zijn gebaseerd op de aanname dat een afname van de vermoeidheid tijdens het werken effectief is in het verminderen van de aandoeningen.

Gevaren door accessoires en verbruiksartikelen

1. Verwijder de gaspatroon en accu alvorens accessoires zoals de contactschonen te verwisselen/vervangen, of het gereedschap af te stellen.
2. Gebruik uitsluitend de grootte en het type accessoires die door de fabrikant worden geleverd.

3. Gebruik uitsluitend smeermiddelen aanbevolen in deze handleiding.

Gevaren door de werkplek

1. **Uitglijden, struikelen en vallen zijn de hoofdoorzaken van letsel op de werkplek.** Wees bedacht op gladde oppervlakken veroorzaakt door het gebruik van het gereedschap en tevens op struikelgevaar veroorzaakt door de persluchtslang.
2. Wees extra voorzichtig in een onbekende omgeving. Er kunnen verborgen gevaren zijn, zoals elektriciteits- of andere nutsleidingen.
3. Dit gereedschap is niet voor gebruik in omgevingen met explosiegevaar en is niet geïsoleerd tegen aanraking van stroomvoerende kabels.
4. Verzeker u ervan dat er geen elektriciteitskabels, gasleidingen, enz. zijn die een gevaarlijke situatie zouden kunnen veroorzaken als ze worden beschadigd door het gebruik van dit gereedschap.
5. **Houd uw werkplek schoon en zorg voor goede verlichting.** Op een rommelige of donkere werkplek gebeuren vaker ongevallen.
6. **Er kunnen plaatselijk regels gelden met betrekking tot geluid, waaraan u zich dient te houden door de geluidsproductie onder het voorgeschreven niveau te houden.** In bepaalde gevallen moeten geluidsschermen worden gebruikt om het geluidsniveau te beperken.

Gevaren door stof en uitlaatgassen

1. **Controleer altijd de omgeving.** De uitlaat van het gereedschap kan stof of voorwerpen weglazen die de gebruiker en/of omstanders kunnen raken.
2. **Richt de uitlaat zodanig dat in een zeer stoffige omgeving het opwerpen van stof minimaal is.**
3. **Als stof of voorwerpen worden uitgestoten in de werkomgeving, vermindert u de uitstoot zo veel mogelijk om de gezondheidsrisico's en kans op letsel te verkleinen.**

Gevaren door geluid

1. **Onbeschermd blootstelling aan hoge geluidsniveaus kan leiden tot permanente en onherstelbare gehoorschade en andere problemen zoals tinnitus (sis-, fluit-, brom- of pieptonen in het oor).**
2. **Voer een risicobeoordeling uit met betrekking tot gevaren door geluid op de werkplek en tref geschikte beheersmaatregelen voor deze gevaren.**
3. **Geschikte methoden om het risico te verkleinen zijn onder andere het gebruik van dempingsmaterialen die voorkomen dat werkstukken 'meezingen'.**
4. **Gebruik geschikte gehoorbescherming.**
5. **Bedien en onderhoud het gereedschap zoals aanbevolen in deze instructies om een onnodige toename van het geluidsniveau te voorkomen.**
6. **Tref geluidsverminderende maatregelen, bijvoorbeeld door het werkstuk op geluiddempende ondersteuning te plaatsen.**

Gevaren door trillingen

1. **De trillingsemissie tijdens gebruik is afhankelijk van de grijpkracht, de contactdruk, de werkrichting, de afstelling van de voeding, het werkstuk en de ondersteuning van het werkstuk.** Voer een risicobeoordeling uit met betrekking tot gevaren door trillingen en tref geschikte beheersmaatregelen voor deze gevaren.
2. **Blootstelling aan trillingen kan onherstelbare schade aanrichten aan de zenuwen en bloedvaten van de handen en armen.**
3. **Draag warme kleding tijdens het werken onder koude omstandigheden, en houd uw handen warm en droog.**
4. **U kunt gevoelloosheid, tintelen, pijn of verdroging van de huid van uw vingers of handen ervaren.** Vraag een vakbekwame bedrijfsarts om medisch advies aangaande uw algemene activiteiten.
5. **Bedien en onderhoud het gereedschap zoals aanbevolen in deze instructies om een onnodige toename van de trillingsniveaus te voorkomen.**
6. **Houd het gereedschap vast met een lichte, maar veilige greep omdat het risico door trillingen doorgaans groter is wanneer de grijpkracht hoger is.**

Aanvullende veiligheidsinstructies voor gasgereedschappen

1. **Gebruik het gereedschap uitsluitend met een originele gaspatroon van Makita.**
2. **Wees voorzichtig bij het gebruik van gasgereedschappen aangezien het gereedschap heet kan worden waardoor de grip en controle kunnen afnemen.**
3. **Een gasgereedschap dat bevestigingsmiddelen schiet, moet worden gebruikt in een eventuele ruimte.**
4. **In het geval dat vloeibaar brandbaar gas in aanraking komt met de menselijke huid, kan letsel optreden.**
5. **Gaspatronen moeten zijn gemarkeerd conform de vereiste transportvoorschriften.**
6. **Hanteer gaspatronen voorzichtig en controleer ze op beschadigingen.** Beschadigde gaspatronen kunnen exploderen en letsel veroorzaken.
7. **Lees en volg de instructies die bij de gaspatroon werden geleverd.**
8. **Verzeker u ervan dat brandbare materialen niet worden blootgesteld aan de uitlaatgassen.**
9. **Gebruik gasgereedschappen niet in explosieve omgevingen aangezien de vonken die in het gereedschap worden gegenereerd brand of een explosie kunnen veroorzaken.**
10. **Gaspatronen mogen niet onzorgvuldig of bij hoge temperatuur worden opgeslagen.** Houdt u aan de lokale regelgeving en de instructies van de gaspatroon bij het hanteren en weggooien van gaspatronen en accu's of accumulatoren.
11. **Voor gasgereedschappen geldt dat tijdens normaal gebruik een kleine hoeveelheid gas kan worden gegenereerd.**

Gebruik en verzorging van gereedschap dat op een accu werkt

1. **Laad alleen op met de acculader aanbevolen door de fabrikant.** Een acculader die geschikt is voor een bepaald type accu, kan brandgevaar opleveren indien gebruikt met een ander type accu.
2. **Gebruik elektrisch gereedschap uitsluitend met de daarvoor bestemde accu.** Gebruik van andere accu's kan gevaar voor letsel of brandgevaar opleveren.
3. **Als de accu niet wordt gebruikt, houdt u deze uit de buurt van metalen voorwerpen, zoals paperclips, muntgeld, sleutels, spijkers, schroeven en andere kleine metalen voorwerpen die een kortsluiting kunnen veroorzaken tussen de accupolen.** Kortsluiting tussen de accupolen kan leiden tot brandwonden of brand.
4. **Onder zware gebruiksomstandigheden kan vloeistof uit de accu komen. Voorkom aanraking! Als u er per ongeluk mee in aanraking komt, spoelt u het er met water af. Als de vloeistof in uw ogen komt, raadpleegt u tevens een arts.** Vloeistof uit de accu kan irritatie en brandwonden veroorzaken.
5. **Gebruik geen accu of gereedschap dat beschadigd of gewijzigd is.** Beschadigde of gewijzigde accu's kunnen onvoorspelbaar gedrag vertonen dat kan leiden tot brand, explosie of gevaar van letsel.
6. **Stel een accu of gereedschap niet bloot aan vuur of buitensporige temperaturen.** Blootstelling aan vuur of temperaturen hoger dan 130 °C kunnen een explosie veroorzaken.
7. **Volg alle oplaadinstructions en laad de accu of het gereedschap niet op buiten het temperatuurbereik opgegeven in de instructies.** Verkeerd opladen of bij een temperatuur buiten het opgegeven bereik kan de accu beschadigen en de kans op brand vergroten.

Veiligheidsvoorzieningen

1. **Controleer voor gebruik dat alle veiligheidssystemen goed werken.** Het gereedschap mag niet werken als alleen de trekkerschakelaar wordt ingeknepen of als alleen de contactschoen op het hout wordt gedrukt. Het gereedschap mag alleen werken als beide handelingen tegelijkertijd worden uitgevoerd. Test op mogelijke defecte werking wanneer geen bevestigingsmiddelen zijn geladen en de aandrukker helemaal uitgetrokken is.
2. **De trekker vastzetten in de AAN-stand is zeer gevaarlijk.** Probeer nooit de trekker vast te zetten.
3. **Probeer niet de contactschoen voortdurend ingedrukt te houden met tape of draad.** Dit kan leiden tot de dood of ernstig letsel.
4. **Controleer altijd de contactschoen volgens de instructies in deze gebruiksaanwijzing.** Als het veiligheidsmechanisme niet goed werkt, kunnen bevestigingsmiddelen per ongeluk worden ingedraaid.

Service

1. **Voer reinigings- en onderhoudswerkzaamheden onmiddellijk uit nadat u klaar bent met werken.** Houd het gereedschap in optimale conditie. Smeer bewegende delen om roesten te voorkomen en slijtage door wrijving te minimaliseren. Veeg alle stof van de onderdelen af.

2. **Vraag een erkend Makita-servicecentrum regelmatig het gereedschap te inspecteren.**
3. **Om de VEILIGHEID en BETROUWBAARHEID van het gereedschap te handhaven, dienen onderhoud en reparaties te worden uitgevoerd door een erkend Makita-servicecentrum, en altijd met gebruikmaking van originele Makita-ervangingsonderdelen.**
4. **Houd u aan de plaatselijke regelgeving bij het verwerken van het gereedschap.**

BEWAAR DEZE INSTRUCTIES.

⚠WAARSCHUWING: Laat u NIET misleiden door een vals gevoel van comfort en bekendheid met het gereedschap (na veelvuldig gebruik) en neem alle veiligheidsvoorschriften van het betreffende gereedschap altijd strikt in acht. **VERKEERD GEBRUIK** of het niet naleven van de veiligheidsvoorschriften in deze gebruiksaanwijzing kan leiden tot ernstig persoonlijk letsel.

Belangrijke veiligheidsinstructies voor een accu

1. **Lees alle voorschriften en waarschuwingen op (1) de acculader, (2) de accu, en (3) het product waarvoor de accu wordt gebruikt, alvorens de accu in gebruik te nemen.**
2. **Neem de accu niet uit elkaar.**
3. **Als de gebruikstijd van een opgeladen accu aanzienlijk korter is geworden, moet u het gebruik ervan onmiddellijk stopzetten.** Voortgezet gebruik kan oververhitting, brandwonden en zelfs een ontploffing veroorzaken.
4. **Als elektrolyt in uw ogen is terechtgekomen, spoelt u uw ogen met schoon water en roept u onmiddellijk de hulp van een dokter in.** Elektrolyt in de ogen kan blindheid veroorzaken.
5. **Voorkom kortsluiting van de accu:**
 - (1) **Raak de accuklemmen nooit aan met een geleidend materiaal.**
 - (2) **Bewaar de accu niet in een bak waarin andere metalen voorwerpen zoals spijkers, munten e.d. worden bewaard.**
 - (3) **Stel de accu niet bloot aan water of regen.** Kortsluiting van de accu kan oorzaak zijn van een grote stroomafgifte, oververhitting, brandwonden, en zelfs defecten.
6. **Bewaar het gereedschap en de accu niet op plaatsen waar de temperatuur kan oplopen tot 50°C of hoger.**
7. **Werp de accu nooit in het vuur, ook niet wanneer hij zwaar beschadigd of volledig versleten is.** De accu kan ontploffen in het vuur.
8. **Wees voorzichtig dat u de accu niet laat vallen en hem niet blootstelt aan schokken of stoten.**
9. **Gebruik nooit een beschadigde accu.**
10. **De bijgeleverde lithium-ionbatterijen zijn onderhevig aan de vereisten in de wetgeving omtrent gevaarlijke stoffen.**

Voor commercieel transport en dergelijke door derden en transporteurs moeten speciale vereisten ten aanzien van verpakking en etikettering worden nageleefd.

Als voorbereiding van het artikel dat wordt getransporteerd is het noodzakelijk een expert op het gebied van gevaarlijke stoffen te raadplegen. Houd u tevens aan mogelijk strengere nationale regelgeving.

Blootliggende contactpunten moeten worden afgedekt met tape en de accu moet zodanig worden verpakt dat deze niet kan bewegen in de verpakking.

11. **Wanneer u de accu wilt weggooiden, verwijdert u de accu vanaf het gereedschap en gooit u hem op een veilige manier weg. Volg bij het weggooiden van de accu de plaatselijke voorschriften.**
12. **Gebruik de accu's uitsluitend met de gereedschappen die door Makita zijn aanbevolen.** Als de accu's worden aangebracht in niet-compatibele gereedschappen, kan dat leiden tot brand, buitensporige warmteontwikkeling, een explosie of lekkage van elektrolyt.
13. **Als u het gereedschap gedurende een lange tijd niet denkt te gaan gebruiken, moet de accu vanaf het gereedschap worden verwijderd.**

BEWAAR DEZE INSTRUCTIES.

⚠ LET OP: Gebruik uitsluitend originele Makita accu's. Het gebruik van niet-originele accu's, of accu's die zijn gewijzigd, kan ertoe leiden dat de accu ontploft en brand, persoonlijk letsel en schade veroorzaakt. Ook vervalt daarmee de garantie van Makita op het gereedschap en de lader van Makita.

Tips voor een maximale levensduur van de accu

1. **Laad de accu op voordat hij volledig ontladen is. Stop het gebruik van het gereedschap en laad de accu op telkens wanneer u vaststelt dat het vermogen van het gereedschap is afgenomen.**
2. **Laad een volledig opgeladen accu nooit opnieuw op. Te lang opladen verkort de levensduur van de accu.**
3. **Laad de accu op bij een omgevingstemperatuur tussen 10°C en 40°C. Laat een warme accu afkoelen alvorens hem op te laden.**

Overzicht van het nagelpistool

- **Fig.1:** 1. Deksel van de gaspatroon 2. Trekker 3. Magazijn 4. Hendel van de aandrukker 5. Knop van de aandrukker 6. Contactschoen 7. Luchtuitlaatopening 8. Lampje 9. Indicatorlampje 10. Accu

BESCHRIJVING VAN DE FUNCTIES

⚠ LET OP:

- Zorg altijd dat de gaspatroon, de accu en de nagels zijn verwijderd alvorens de functies op het gereedschap af te stellen of te controleren.

De accu aanbrengen en verwijderen

⚠ LET OP:

- Schakel het gereedschap altijd uit voordat u de accu aanbrengt of verwijdert.
- **Houd het gereedschap en de accu stevig vast tijdens het aanbrengen of verwijderen van de accu.** Als u het gereedschap en de accu niet stevig vasthoudt, kunnen deze uit uw handen glippen en het gereedschap of de accu beschadigen, of kan persoonlijk letsel worden veroorzaakt.

► **Fig.2:** 1. Accu

Om de accu aan te brengen, houdt u deze zodanig vast dat de vorm van de voorkant van de accu overeenkomt met de vorm van de accuopening, en schuift u de accu op zijn plaats. Steek hem er helemaal in tot hij op zijn plaats wordt vergrendeld met een klikgeluid.

► **Fig.3:** 1. Accu 2. Knop

Om de accu te verwijderen, drukt u beide zijkanten van de accu in en trekt u hem uit het gereedschap.

⚠ LET OP:

- Druk de accu altijd stevig aan totdat hij op zijn plaats vastklikt. Als u dit niet doet, kan de accu per ongeluk uit het gereedschap vallen en letsel veroorzaken bij u of anderen in uw omgeving.
- Breng de accu niet met kracht aan. Als de accu niet gemakkelijk erin kan worden geschoven, wordt deze niet goed aangebracht.

De lamp inschakelen

⚠ LET OP:

- Kijk niet direct in het lamplicht of in de lichtbron.

► **Fig.4:** 1. Lampknop

Om de lamp in te schakelen, drukt u op de lampknop. Om de lamp uit te schakelen, drukt u nogmaals op de lampknop.

Gaspatroon

De meetklep op de gaspatroon aanbrengen

► **Fig.5:** 1. Meetklep 2. Dop

Verwijder de dop (in het geval de meetklep met een dop wordt geleverd).

► **Fig.6**

Duw de voorrand omlaag.

► **Fig.7**

Duw de achterrand omlaag tot deze op zijn plaats vastzit.

De gaspatroon aanbrengen

► Fig.8

Duw omhoog en trek aan het deksel van de gaspatroon om deze te verwijderen.

► Fig.9: 1. Spuitmond

Plaats de gaspatroon in het gereedschap met de spuitmond van de meetklep in de richting van de adapter.

► Fig.10

Steek de spuitmond stevig in de kleine opening van de adapter.

► Fig.11

Plaats het deksel van de gaspatroon over de meetklep en druk het omlaag om het vast te zetten.

De nageldiepte instellen

▲LET OP:

- Verwijder altijd de gaspatroon, de accu en nagels alvorens de nageldiepte in te stellen.

► Fig.12: 1. Instelknop

Voor een geringere nageldiepte, draait u de instelknop naar rechts, zoals aangegeven in de afbeelding. Voor een grotere nageldiepte, draait u de instelknop naar links.

Draai de instelknop niet te ver omdat de instelknop dan vast kan komen te zitten.

Indicatorlampje

De kleur van het indicatorlampje heeft de volgende betekenis:

Knippert groen: Dit is de normale toestand.

Knippert rood: De accu moet worden opgeladen.

Brand rood: Laad de accu op. U kunt niet meer nage- len omdat de accu leeg is.

Knippert oranje: Wij adviseren u het gereedschap grondig te reinigen. Raadpleeg het hoofdstuk "ONDERHOUD" om de binnenkant van het gereedschap grondig te reinigen. Om het oranje knipperende indicatorlampje te resetten, duwt u gedurende vijf seconden tegen de contactschonen en duwt u vervolgens vijf keer tegen de contactschonen.

Knippert oranje na afwisselend groen en rood te hebben geknippert: De storingsdetectie is in werking getreden. Haal de accu uit het gereedschap en plaats deze weer terug om terug te stellen. Als de storingsde- tectie opnieuw in werking treedt, is een storing opgetre- den. Vraag uw plaatselijke Makita-servicecentrum het te repareren.

Haak

▲LET OP: Verwijder altijd eerst de accu, voordat u het gereedschap ophangt. Hang het gereedschap niet aan uw riem.

► Fig.13: 1. Haak

De haak is handig om het gereedschap tijdelijk aan op te hangen.

De haak kan in twee standen worden gezet, afhankelijk van waar het gereedschap wordt opgehangen.

Om naar de andere stand te veranderen, duwt u de uiteinden aan beide zijden in, en verplaatst u de haak naar de andere stand.

MONTAGE

▲LET OP:

- Verwijder altijd de gaspatroon en de accu alvorens enige werkzaamheden aan het gereed- schap uit te voeren.

Het nagelpistool laden

► Fig.14: 1. Knop

Plaats een strip nagels in de sleuf in de achterkant van het magazijn. De nagels stoppen bij de ingang van het magazijn als gevolg van de nagelstopper. Druk op de knop van de nagelstopper om het magazijn te ontgren- delen en de strip nagels te kunnen laden.

► Fig.15: 1. Hendel van de aandrukker

Druk op de knop van de aandrukker en trek de hendel van de aandrukker helemaal naar de achterkant van het magazijn. Laat daarna de knop van de aandrukker los en schuif de hendel van de aandrukker voorzichtig tegen het uiteinde van de strip.

Nagels verwijderen

► Fig.16: 1. Hendel van de aandrukker 2. Nagelstopper

Trek aan de hendel van de aandrukker en druk op de knop van de aandrukker om de nagelsteun te ontgren- delen, en schuif daarna de hendel van de aandrukker helemaal naar voren terwijl u op de knop van de aan- drukker drukt.

Schuif de nagels naar de achterkant van het magazijn. De nagels stoppen bij de ingang van het magazijn als gevolg van de nagelstopper. Druk op de knop van de nagelstopper om het magazijn te ontgren- delen en de strip nagels te kunnen verwijderen.

Het magazijn verwisselen (optioneel accessoire)

► Fig.17: 1. Bout

Een magazijn met een andere lengte is verkrijgbaar als optioneel accessoire.

Om het magazijn te verwisselen, draait u de bout los en verwijderd u het magazijn. Monteer daarna het nieuwe magazijn. En draai de bout van het magazijn vast.

BEDIENING

▲WAARSCHUWING:

- **Raak het gebied rondom de luchtuitlatope- ning niet aan.** Het oppervlak zal erg heet zijn tijdens en vlak na het gebruik. Door het opper- vlak rondom de luchtuitlatopening aan te raken kunnen brandwonden ontstaan.

▲LET OP:

- Verzeker u ervan dat alle veiligheidsvoorzienin- gen in werkende staat verkeren voordat u het gereedschap gebruikt.

De correcte werking controleren vóór gebruik

Controleer vóór gebruik altijd de volgende punten.

- Verzeker u ervan dat het gereedschap niet in werking treedt enkel doordat de accu en gaspatroon worden aangebracht.
- Verzeker u ervan dat het gereedschap niet gaat werken door alleen de trekker in te knijpen.
- Verzeker u ervan dat het gereedschap niet gaat werken door alleen de contactschoen tegen het werkstuk te drukken zonder de trekker in te knijpen.
- Zorg ervoor dat het gereedschap niet werkt als eerst de trekker wordt ingeknepen en daarna de contactschoen tegen het werkstuk wordt gedrukt.

Nagels schieten

► Fig.18

1. Om een nagel te schieten, drukt u de contact-schoen tegen het werkstuk.
De ventilatormotor wordt ingeschakeld, gas-vormige brandstof wordt in de verbrandingska-mer gespoten en door de ventilator met lucht gemengd.

► Fig.19: 1. Trekker

2. Houd de contactschoen stevig tegen het werkstuk gedrukt en knijp de trekker in.
Het brandstof-luchtmengsel wordt ontstoken en de nagel wordt in het werkstuk geschoten.
3. De volgende nagel kan pas worden geschoten nadat eerst de contactschoen en de trekker zijn losgelaten.

Nagelen in beton

⚠ WAARSCHUWING:

- Gebruik voor nagelen in beton uitsluitend nagels van gehard staal.
Nagels voor andere gebruiksdoeleinden kunnen ernstig letsel veroorzaken. Nagel niet recht-streeks in het beton. Als u dat toch doet, kunnen stukjes beton wegvliegen of nagels terugketsen, waardoor ernstig letsel kan worden veroorzaakt.
- Houd tijdens het schieten van nagels het gereedschap altijd haaks op het oppervlak van het werkstuk.
Als de nagels onder een hoek worden gescho-ten, kunnen stukjes beton wegvliegen of nagels terugketsen, waardoor ernstig letsel kan worden veroorzaakt.
- Gebruik het gereedschap niet op oppervlakken waaraan voorwerpen zijn bevestigd, zoals een plaats waar bevestigingsbeugels voor rioolpij-pen, luchtafzuigleidingen, enz., zijn gemonteerd.

⚠ LET OP:

- Gebruik dit gereedschap uitsluitend voor zacht beton dat nog niet zo lang geleden is gestort. Bij gebruik in hard beton kunnen de nagels krom gaan of onvoldoende diep worden geschoten.
- Wanneer de nagels meer dan 20 mm in het beton moeten worden geschoten, is het moge-lijk dat ze onvoldoende diep komen. De nagels kunnen te ondiep komen waardoor het werkstuk instabiel wordt en persoonlijk letsel en materiële schade kan worden veroorzaakt.
- Wanneer de nagel rechtstreeks in een hard oppervlak, zoals staal of beton, wordt gescho-ten, drukt u de contactschoen stevig tegen het werkstuk om wegglijden te voorkomen.

Kies en gebruik geschikte nagel, zodat deze tussen 15 en 20 mm in het beton dringen.

- Fig.20: 1. Dunne staalplaat 2. Doordringdiepte in beton

Droogschietpreventiemechanisme

Dit mechanisme voorkomt dat het gereedschap schiet zonder dat er een nagel uit komt.
De droogschietpreventie treedt automatisch in werking wanneer slechts 2 of 3 nagels restereren.

Vastgelopen nagelpistool

⚠ WAARSCHUWING:

- Verwijder altijd de gaspatroon en accu alvorens een verstopping op te heffen.

⚠ LET OP:

- Gebruik geen vervormde nagels of strippen nagels. Als u dit toch doet, worden de nagels niet goed aangevoerd.

Volg de procedure voor het verwijderen van nagels en verwijder de vastgelopen nagels.

► Fig.21: 1. Magazijn

Verwijder de gaspatroon, de accu en nagels.
Draai de bout van het magazijn los. Verwijder het maga-zijn en verwijder de vastgelopen nagels.

► Fig.22

Als de nagels niet kunnen worden verwijderd na het volgen van de bovenstaande procedure, gaat u als volgt te werk.

Steek een dunne staaf of iets dergelijks in de schiet-mond en tik er met een hamer op om de vastgelopen nagels uit de schietmond te verwijderen.

► Fig.23: 1. Stotergeleider 2. Bout

► Fig.24

Als de nagels desondanks in de schietmond blijven zitten, gaat u als volgt te werk.

Draai de bouten van de schietmond los met behulp van een inbussleutel. Verwijder de stotergeleider. En verwij-der de vastgelopen nagels.

Plaats de stotergeleider terug en draai de bouten vast nadat de vastgelopen nagels zijn verwijderd.

Plaats het magazijn terug en draai de bout vast.

ONDERHOUD

⚠ LET OP:

- Verwijder altijd de gaspatroon, de accu en nagels alvorens inspectie- of onderhoudswerkzaamheden uit te voeren.
- Gebruik nooit benzine, wasbenzine, thinner, alcohol en dergelijke. Hierdoor kunnen verkleuring, vervormingen en barsten worden veroorzaakt.

Dagelijkse onderhoudswerkzaamheden

Controleer voor gebruik het gereedschap altijd eerst op algehele conditie en loszittende schroeven. Draai deze zo nodig vast.

Aan het einde van de werkdag, voert u de dagelijkse onderhoudswerkzaamheden uit.

Deze eenvoudige stappen dienen ertoe de veiligheid en prestaties van het gereedschap.

Alvorens u het werkterrein verlaat:

- Verwijder de accu uit het gereedschap en berg deze op in de draagkoffer van het gereedschap. Gebruik altijd de draagkoffer van het gereedschap om het gereedschap te transporteren.
- Gooi alle lege patronen weg op een plaats waar ze niet kunnen worden gevonden door kinderen, geplet, doorboord of verbrand.

Nadat u thuis bent:

- Plaats de accu in de acculader als deze opgeladen moet worden volgens het rode indicatorlampje.
- Veeg het gereedschap af met een schone, zachte doek.
- Controleer het luchtfilter en reinig dit als het stoffig is.

Het luchtfilter reinigen

► Fig.25: 1. Filterdeksel

► Fig.26: 1. Filterdeksel 2. Filter

Druk licht op het filterdeksel en verwijder het. En haal daarna gewoon het filter eruit.

Tik zachtjes tegen het luchtfilter om het stof eruit te kloppen. Met zeepsop kunt u het luchtfilter tot bijna in nieuwstaat reinigen.

Om de VEILIGHEID en BETROUWBAARHEID van het gereedschap te handhaven, dienen alle reparaties en al het overige onderhoud en afstellingen te worden uitgevoerd door een erkend Makita-servicecentrum, en altijd met gebruikmaking van originele Makita-ervangingsonderdelen.

Grondig reinigen

Als droogschieten vaak voorkomt, betekent dit dat het gereedschap grondig moet worden gereinigd.

Raadpleeg de bijgevoegde reinigingsgids voor meer informatie en voer het reinigen uit.

Als u vragen hebt over het reinigen, neemt u contact op met uw plaatselijke Makita-servicecentrum.

OPTIONELE ACCESSOIRES

⚠ LET OP:

- Deze accessoires of hulpstukken worden aanbevolen voor gebruik met het Makita-gereedschap dat in deze gebruiksaanwijzing wordt beschreven. Het gebruik van andere accessoires of hulpstukken kan gevaar voor persoonlijk letsel opleveren. Gebruik de accessoires of hulpstukken uitsluitend voor de aangegeven doeleinden.

Wenst u meer bijzonderheden over deze accessoires, neem dan contact op met uw plaatselijke Makita-servicecentrum.

- Nagels
- Magazijn
- Veiligheidsbril
- Gaspatroon
- Reinigingsset
- Originele Makita-accu en -acculader

OPMERKING:

- Sommige items op de lijst kunnen zijn inbegrepen in de doos van het gereedschap als standaard toebehoren. Deze kunnen van land tot land verschillen.











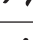
ESPECIFICACIONES

Modelo	GN420C	
Capacidad de clavos	20 clavos (2 tiras)	40 clavos (4 tiras)
Dimensiones (La x An x Al)	315 mm x 108 mm x 390 mm	430 mm x 108 mm x 390 mm
Peso neto	3,6 kg	3,8 kg
Longitud del clavo x diámetro de la espiga	Clavo L: 15 mm - 40 mm d: 2,6 mm - 3,1 mm	
Tensión nominal	CC 7,2 V	

- Debido a nuestro continuado programa de investigación y desarrollo, las especificaciones aquí dadas están sujetas a cambios sin previo aviso.
- Las especificaciones y el cartucho de batería pueden variar de un país a otro.

Símbolos

Se utilizan los siguientes símbolos para el equipo. Asegúrese de que comprende su significado antes del uso.

	Lea el manual de instrucciones.
	Recipiente presurizado, manténgalo alejado de temperaturas superiores a los 50 °C (p. ej., radiación solar). Mantenga el recipiente en un lugar bien ventilado.
	Utilice solamente en exteriores o habitaciones bien ventiladas. No respire el gas.
	No utilice cerca de llamas ni rocíe sobre superficies calentadas. Al utilizarse, puede formar una mezcla de vapor-aire inflamable/explosiva.
	No dañe, perforo ni queme incluso después de utilizar.
	Utilice gafas de seguridad.
	Póngase protección para los oídos.
	Mantenga los dedos alejados del gatillo cuando no esté clavando fijadores para evitar disparos accidentales.
	Utilice solamente en un área ventilada para evitar náusea e inconsciencia. No utilice nunca la herramienta en atmósferas combustibles. El escape de la herramienta puede prender fuego a materiales inflamables.
	No utilice en andamios, escaleras de mano.
	Advertencia: ¡superficie caliente! No toque alrededor de este símbolo. Tocar la superficie podrá ocasionar quemaduras o heridas.



Solamente para países de la Unión Europea
 ¡No deseche los equipos eléctricos o las baterías junto con los residuos domésticos! De conformidad con las Directivas Europeas, sobre residuos de aparatos eléctricos y electrónicos y baterías y acumuladores y su aplicación de acuerdo con la legislación nacional, los aparatos eléctricos y pilas y baterías cuya vida útil haya llegado a su fin deberán ser recogidos por separado y trasladados a una planta de reciclaje que cumpla con las exigencias ecológicas.

Uso previsto

La herramienta ha sido prevista para sujetar una chapa de acero fina al cemento.

Ruido

Nivel típico de ruido ponderado A determinado según EN ISO 11148-13:

Nivel de presión sonora (L_{pA}): 96 dB (A)
 Nivel de potencia sonora (L_{WA}): 100 dB (A)
 Incertidumbre (K): 3 dB (A)

Póngase protectores para oídos

Vibración

El valor total de la vibración determinado de acuerdo con EN ISO 11148-13:

Emisión de vibración (a_{h1}): 3,5 m/s²
 Incertidumbre (K): 1,5 m/s²

NOTA: El valor de emisión de vibraciones declarado se ha medido de acuerdo con el método de prueba estándar y se puede utilizar para comparar herramientas.

NOTA: El valor de emisión de vibraciones declarado también se puede usar en una evaluación preliminar de la exposición.

⚠️ ADVERTENCIA: La emisión de vibraciones durante el uso de la herramienta eléctrica puede diferir del valor de emisiones declarado, dependiendo de las formas en que se utiliza la herramienta.

⚠️ ADVERTENCIA: Asegúrese de identificar las mediciones correctas para proteger al operario, que se basan en una estimación de la exposición en condiciones de uso reales (teniendo en cuenta todas las partes del ciclo de operaciones, como los momentos en los que la herramienta está apagada y cuando funciona al ralentí además del tiempo en que está activado el interruptor).

Declaración CE de conformidad

Para países europeos solamente

La declaración CE de conformidad está incluida como Anexo A de esta manual de instrucciones.

Advertencias de seguridad para la clavadora a gas

⚠️ ADVERTENCIA: Lea todas las advertencias de seguridad y todas las instrucciones. En caso de no seguir las advertencias e instrucciones podrá resultar en heridas graves, descarga eléctrica y/o incendio.

Guarde todas las advertencias e instrucciones para futuras referencias.

Por seguridad personal y operación y mantenimiento apropiados de la herramienta, lea este manual de instrucciones antes de utilizar la herramienta.

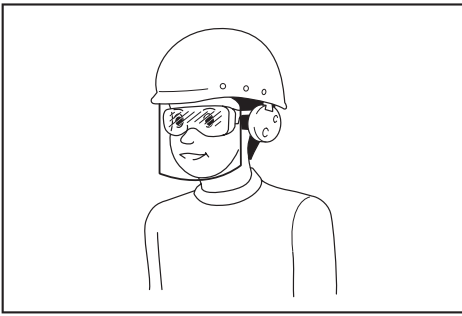
Seguridad general

1. Cualquier otro uso de esta herramienta excepto para el uso previsto está prohibido. Las herramientas de clavar fijadores de accionamiento por contacto continuo o accionamiento por contacto deben ser utilizadas solamente para aplicaciones de producción.
2. Mantenga los dedos alejados del gatillo cuando no esté operando esta herramienta y cuando se mueva de una posición de operación a otra.
3. Riesgos múltiples. Lea y entienda las instrucciones de seguridad antes de conectar, desconectar, cargar, operar la herramienta; hacer mantenimiento o cambiar accesorios, o trabajar cerca de la herramienta. No hacerlo puede resultar en heridas corporales graves.
4. Mantenga todas las partes del cuerpo, tales como las manos y las piernas, etc., alejadas de la dirección de disparo y asegúrese de que los fijadores no pueden atravesar la pieza de trabajo y clavarse en partes del cuerpo.
5. Cuando utilice la herramienta, sea consciente de que el fijador se puede desviar y ocasionar heridas.
6. Sujete la herramienta agarrándola firmemente y esté preparado para controlar el culatazo.

7. La herramienta de clavar fijadores solamente debe ser utilizada por operarios expertos.
8. No modifique la herramienta de clavar fijadores. Las modificaciones pueden reducir la eficacia de los medios de seguridad e incrementar los riesgos para el operario y/o los transeúntes.
9. No desheche el manual de instrucciones.
10. No utilice una herramienta si ha sido dañada.
11. Tenga cuidado cuando maneje fijadores, especialmente cuando los cargue y descargue, porque los fijadores tienen puntas afiladas que podrán ocasionar heridas.
12. Compruebe siempre la herramienta antes de utilizarla por si tiene piezas rotas, mal conectadas o desgastadas.
13. No trabaje donde no alcance. Utilice solamente en un lugar de trabajo seguro. Mantenga los pies sobre suelo firme y el equilibrio en todo momento.
14. Mantenga a los transeúntes alejados (cuando trabaje en un área donde haya la posibilidad de que transite gente). Marque claramente su área de operación.
15. No apunte la herramienta hacia usted o hacia otros.
16. No apoye el dedo en el gatillo cuando recoja la herramienta, se mueva entre áreas de operación y posiciones de trabajo o camine, porque apoyar el dedo en el gatillo puede dar lugar a una operación inadvertida. Para herramientas con accionamiento selectivo, compruebe siempre la herramienta antes de utilizarla para asegurarse de que está seleccionado el modo correcto.
17. Utilice solamente guantes que proporcionen una sensación táctil adecuada y un control seguro de los gatillos y cualquier dispositivo de ajuste.
18. Cuando repose la herramienta, apóyela sobre una superficie plana. Si utiliza el gancho equipado con la herramienta, enganche la herramienta firmemente en una superficie estable.
19. No la utilice cuando esté bajo la influencia de alcohol, drogas o por el estilo.

Riesgos relativos al proyectil

1. La herramienta de clavar fijadores deberá ser desconectada cuando cargue fijadores, haga ajustes, despeje atascos o cambie accesorios.
2. Durante la operación tenga cuidado de que los fijadores penetren el material correctamente y no se puedan desviar o errar el disparo hacia el operario y/o cualquier transeúnte.
3. Durante la operación, podrán salir despedidos restos de la pieza de trabajo y del sistema de fijación/sujeción.
4. Póngase siempre gafas de protección para proteger sus ojos de heridas cuando utilice herramientas eléctricas. Las gafas de protección deben cumplir con las normas ANSI Z87.1 en los Estados Unidos de América, EN 166 en Europa, o AS/NZS 1336 en Australia/Nueva Zelanda. En Australia/Nueva Zelanda, se requiere, también, legalmente ponerse pantalla facial para proteger la cara.



Es una responsabilidad del empresario imponer a los operarios de la herramienta y a otras personas en las inmediaciones del área de trabajo el uso de equipos de protección de seguridad apropiados.

5. Los riesgos para otras personas deberá evaluarlos el operario.
6. Tenga cuidado con las herramientas sin el contacto para pieza de trabajo porque pueden dispararse involuntariamente y herir al operario y/o transeúntes.
7. Asegúrese de que la herramienta está siempre apoyada de forma segura en la pieza de trabajo y que no se puede deslizar.
8. Póngase protección auditiva para proteger sus oídos del ruido de escape y protección para la cabeza. Además, póngase ropa ligera pero no holgada. Las mangas deberán estar abotonadas o arremangadas. No se deberá llevar corbata.

Riesgos relativos a la operación

1. Sujete la herramienta correctamente: asegúrese de contrarrestar los movimientos normales o repentinos tales como un culetazo.
2. Mantenga una posición equilibrada del cuerpo y los pies sobre suelo firme.
3. Se deben utilizar gafas de seguridad apropiadas y guantes apropiados y se recomienda el uso de ropa de protección.
4. Ha de ponerse protección para los oídos apropiada.
5. Utilice el suministro de energía correcto como se indica en el manual de instrucciones.
6. No utilice la herramienta en plataformas en movimiento o detrás de camiones. Un movimiento repentino de la plataforma puede hacerle perder el control de la herramienta y ocasionar heridas.
7. Asuma siempre que la herramienta contiene fijadores.
8. No apresure el trabajo o fuerce la herramienta. Maneje la herramienta con cuidado.
9. Observe el suelo donde pisa y mantenga su equilibrio con la herramienta. Asegúrese de que no haya nadie debajo cuando trabaje en lugares altos.
10. En tejados y otros lugares altos, coloque los fijadores a medida que se mueve hacia delante. Es fácil perder el equilibrio si coloca fijadores mientras se mueve hacia atrás. Cuando coloque fijadores contra una superficie perpendicular, trabaje de arriba abajo. Haciéndolo así podrá realizar las operaciones de atornillar con menos fatiga.

11. Un fijador se torcerá o la herramienta se podrá atascar si coloca un fijador erróneamente encima de otro fijador o si golpea un nudo en la madera. El fijador podrá ser lanzado y golpear a alguien, o la propia herramienta podrá reaccionar peligrosamente. Coloque los fijadores con cuidado.
12. No intente nunca colocar fijadores desde el interior y exterior al mismo tiempo. Los fijadores podrán atravesar y/o salir disparados, presentando un grave peligro.

Riesgos relativos a movimientos repetitivos

1. Cuando se utilice una herramienta durante largos periodos, el operario podrá sentir molestias en las manos, brazos, hombros, cuello, u otras partes del cuerpo.
2. Mientras utilice una herramienta, el operario deberá adoptar una postura apropiada pero ergonómica. Mantenga los pies sobre suelo firme y evite posturas incómodas o desequilibradas.
3. Si el operario experimenta síntomas tales como molestias persistentes o recurrentes, dolor, palpitación, achaque, hormigueo, entumecimiento, sensación de ardor, o agorramiento, no ignore estas señales de advertencia. El operario deberá consultar con un profesional sanitario cualificado acerca de las actividades en general.
4. La utilización continuada de la herramienta puede ocasionar lesión por esfuerzo repetido debido al culatazo producido por la herramienta.
5. Para evitar heridas por esfuerzo repetitivo, el operario no deberá trabajar donde no alcance o utilizar fuerza excesiva. Además, el operario deberá descansar cuando sienta fatiga.
6. Realice una valoración de riesgo acerca de los riesgos relativos a movimientos repetitivos. Esta deberá enfocarse en desórdenes esquelético musculares y basarse preferentemente en la premisa de que la disminución de la fatiga durante el trabajo es eficaz para reducir los desórdenes.

Riesgos relativos a accesorios y consumibles

1. Retire el recipiente de gas y la batería antes de cambiar/reemplazar accesorios tal como el contacto para pieza de trabajo, o hacer cualquier ajuste.
2. Utilice solamente los tamaños y tipos de accesorios que provee el fabricante.
3. Utilice solamente lubricantes recomendados en este manual.

Riesgos relativos al lugar de trabajo

1. Los resbalones, los tropiezos y las caídas son las principales causas de heridas en el lugar de trabajo. Sea consciente de las superficies resbaladizas ocasionadas por el uso de la herramienta y también de los riesgos relativos a los tropiezos ocasionados por la manguera de conducto de aire.
2. Proceda con cuidado adicional en entornos con los que no esté familiarizado. Pueden existir riesgos ocultos, tales como conductos de electricidad o de otros suministros.

3. Esta herramienta no ha sido prevista para ser utilizada en atmósferas potencialmente explosivas y no está aislada contra un contacto con energía eléctrica.
4. Asegúrese de que no hay cables eléctricos, tuberías de gas, etc., que puedan ocasionar un riesgo si se dañan al utilizar la herramienta.
5. Mantenga el área de trabajo limpia y bien iluminada. Las áreas de trabajo atestadas u oscuras son una invitación a accidentes.
6. Es posible que existan reglamentos locales concernientes al ruido que deberán ser cumplidos manteniendo los niveles de ruido dentro de los límites prescritos. En ciertos casos, se deberán utilizar persianas para contener el ruido.

Riesgos relativos al polvo y el escape

1. Compruebe siempre su entorno. El escape de la herramienta puede soplar el polvo u objetos y golpear al operario y/o los transeúntes.
2. Dirija el escape de forma que en un entorno de mucho polvo la perturbación del polvo se reduzca al mínimo.
3. Si en el área de trabajo se emite polvo u objetos, reduzca la emisión en lo máximo posible para reducir los riesgos para la salud y el riesgo de heridas.

Riesgos relativos al ruido

1. Una exposición sin protección a niveles de ruido altos, puede ocasionar una pérdida, incapacidad, permanente de la audición y otros problemas tales como ruido en los oídos (campaneo, ronroneo, silbido o zumbido en los oídos).
2. Realice una valoración de riesgos acerca del ruido en el área de trabajo e implemente los controles apropiados para estos riesgos.
3. Los controles apropiados para reducir el riesgo pueden incluir acciones tales como amortiguar los materiales para evitar que las piezas de trabajo “campaneen”.
4. Utilice protección para los oídos apropiada.
5. Opere la herramienta y hágale el mantenimiento como se recomienda en estas instrucciones, para evitar un aumento innecesario de los niveles de ruido.
6. Tome medidas de reducción de ruido, por ejemplo, colocando las piezas de trabajo sobre soportes que amortigüen el sonido.

Riesgos relativos a la vibración

1. La emisión de vibración durante la operación depende de la fuerza de asimiento, la fuerza de presión de contacto, la dirección de trabajo, el ajuste del suministro de energía, la pieza de trabajo, el apoyo de la pieza de trabajo. Realice una valoración de riesgos acerca de la vibración e implemente los controles apropiados para estos riesgos.
2. La exposición a la vibración puede ocasionar daño incapacitante a los nervios y el suministro de sangre a las manos y brazos.
3. Póngase ropa cálida cuando trabaje en condiciones frías, mantenga sus manos calientes y secas.

4. Si siente entumecimiento, hormigueo, dolor o emblanquecimiento de la piel en sus dedos o manos, solicite consejo médico de un profesional sanitario cualificado acerca de las actividades en general.
5. Opere la herramienta y hágale el mantenimiento como se recomienda en estas instrucciones, para evitar un aumento innecesario de los niveles de vibración.
6. Sujete la herramienta con un asimiento ligero, pero seguro, porque el riesgo de la vibración es generalmente mayor cuando la fuerza de asimiento es más fuerte.

Instrucciones de seguridad adicionales para las herramientas a gas

1. Utilice la herramienta solamente con el recipiente de gas genuino de Makita.
2. Tenga cuidado cuando utilice herramientas a gas, porque la herramienta podrá calentarse, afectando al asimiento y el control.
3. Las herramientas a gas para clavar fijadores deberán ser utilizadas en espacios ventilados.
4. En el caso de que gas combustible licuado entre en contacto con la piel de una persona, podrán producirse heridas.
5. Los recipientes de gas deberán ser marcados de acuerdo con los reglamentos de transporte requeridos.
6. Maneje los recipientes de gas con cuidado y compruebe por si están dañados. Los recipientes de gas dañados pueden explotar y ocasionar heridas.
7. Lea y siga las instrucciones suministradas con el recipiente de gas.
8. Asegúrese de no exponer materiales combustibles a los gases de escape calientes.
9. No utilice herramientas a gas en áreas explosivas porque las chispas generadas en la herramienta pueden ocasionar un incendio o una explosión.
10. Los recipientes de gas no deben ser almacenados descuidadamente ni a altas temperaturas. Siga los reglamentos locales y las instrucciones del recipiente de gas para el manejo y el desecho de los recipientes de gas y las baterías o acumuladores.
11. Para las herramientas a gas, puede que se genere una pequeña liberación de gas en las operaciones normales.

Utilización y cuidado de la herramienta a batería

1. Cargue la batería solamente con el cargador especificado por el fabricante. Un cargador que es apropiado para un tipo de batería puede crear un riesgo de incendio cuando se utiliza con otra batería.
2. Utilice las herramientas eléctricas solamente con las baterías designadas específicamente para ellas. La utilización de cualquier otra batería puede crear un riesgo de heridas o incendio.
3. Cuando la batería no esté siendo utilizada, guárdela alejada de otros objetos metálicos, como sujetapapeles, monedas, llaves, clavos, tornillos u otros objetos metálicos pequeños, que puedan hacer conexión entre un terminal y el otro. Si se cortocircuitan entre sí los terminales de la batería podrán producirse quemaduras o un incendio.

4. En condiciones abusivas, es posible que salga expulsado líquido de la batería; evite el contacto con él. Si se produce un contacto accidental, enjuague con agua. Si el líquido entra en los ojos, además de enjuagarlos, solicite asistencia médica. El líquido expulsado de la batería puede ocasionar irritación y quemaduras.
5. No utilice una batería o herramienta que esté dañada o modificada. Las baterías dañadas o modificadas pueden comportarse de forma impredecible resultando en un incendio, explosión o riesgo de heridas.
6. No exponga una batería o herramienta al fuego o a temperatura excesiva. La exposición al fuego o a una temperatura superior a los 130 °C puede ocasionar una explosión.
7. Siga todas las instrucciones de carga y no cargue la batería o la herramienta fuera del rango de temperatura especificado en las instrucciones. Cargar incorrectamente o a temperaturas fuera del rango especificado puede dañar la batería y aumentar el riesgo de incendio.

Dispositivos de seguridad

1. Asegúrese siempre de que todos los sistemas de seguridad están en buen estado de funcionamiento antes de la operación. La herramienta no deberá funcionar si solamente se aprieta el gatillo interruptor o si solamente el brazo de contacto es presionado contra la madera. Deberá funcionar solamente cuando se realizan ambas acciones. Haga una prueba por si se produce una posible operación defectuosa sin haber cargado fijadores y con el impulsor en posición completamente presionada.
2. Sujetar el gatillo en la posición activada es muy peligroso. No intente nunca fijar el gatillo.
3. No intente mantener el elemento de contacto presionado con cinta o alambre. Podría ocasionar la muerte o heridas graves.
4. Compruebe siempre el elemento de contacto como se instruye en este manual. Los fijadores podrán atornillarse accidentalmente si el mecanismo de seguridad no está funcionando correctamente.

Servicio

1. Realice la limpieza y el mantenimiento justo después de terminar el trabajo. Mantenga la herramienta en excelentes condiciones. Lubrique las partes móviles para evitar oxidación y minimizar el desgaste relacionado con la fricción. Limpie todo el polvo de las partes.
2. Pida a un centro de servicio autorizado por Makita para que le hagan la inspección periódica de la herramienta.
3. Para mantener la SEGURIDAD y FIABILIDAD del producto, el mantenimiento y las reparaciones deberán ser realizados en centros de servicio autorizados por Makita, utilizando siempre piezas de repuesto de Makita.
4. Siga los reglamentos locales cuando deseche la herramienta.

GUARDE ESTAS INSTRUCCIONES.

⚠ADVERTENCIA: NO deje que la comodidad o familiaridad con el producto (a base de utilizarlo repetidamente) sustituya la estricta observancia de las normas de seguridad para el producto en cuestión. El MAL USO o el no seguir las normas de seguridad establecidas en este manual de instrucciones podrá ocasionar graves heridas personales.

Instrucciones de seguridad importantes para el cartucho de batería

1. Antes de utilizar el cartucho de batería, lea todas las instrucciones e indicaciones de precaución sobre (1) el cargador de baterías, (2) la batería, y (3) el producto con el que se utiliza la batería.
2. No desarme el cartucho de batería.
3. Si el tiempo de uso se acorta demasiado, cese la operación inmediatamente. Podría resultar en un riesgo de recalentamiento, posibles quemaduras e incluso una explosión.
4. Si entra electrólito en sus ojos, aclárelos con agua limpia y acuda a un médico inmediatamente. Existe el riesgo de poder perder la vista.
5. No cortocircuite el cartucho de batería:
 - (1) No toque los terminales con ningún material conductor.
 - (2) Evite guardar el cartucho de batería en un cajón junto con otros objetos metálicos, como clavos, monedas, etc.
 - (3) No exponga el cartucho de batería al agua ni a la lluvia.

Un cortocircuito en la batería puede producir una gran circulación de corriente, un recalentamiento, posibles quemaduras e incluso una rotura de la misma.
6. No guarde la herramienta y el cartucho de batería en lugares donde la temperatura pueda alcanzar o exceder los 50 °C.
7. Nunca incinere el cartucho de batería incluso en el caso de que esté dañado seriamente o ya no sirva en absoluto. El cartucho de batería puede explotar si se tira al fuego.
8. Tenga cuidado de no dejar caer ni golpear el cartucho de batería.
9. No utilice una batería dañada.
10. Las baterías de litio-ion contenidas están sujetas a los requisitos de la Legislación para Materiales Peligrosos.

Para transportes comerciales, p.ej., por terceras personas y agentes de transportes, se deberán observar requisitos especiales para el empaquetado y etiquetado.

Para la preparación del artículo que se va a enviar, se requiere consultar con un experto en materiales peligrosos. Por favor, observe también la posibilidad de reglamentos nacionales más detallados. Cubra con cinta aislante o enmascare los contactos expuestos y empaquete la batería de tal manera que no se pueda mover alrededor dentro del embalaje.

11. Para desechar el cartucho de batería, retírelo de la herramienta y deséchelo en un lugar seguro. Siga los reglamentos locales referentes al desecho de la batería.
12. Utilice las baterías solamente con los productos especificados por Makita. La instalación de las baterías en productos no compatibles puede resultar en un incendio, calor excesivo, explosión, o fuga de electrolito.
13. Si la herramienta no va a ser utilizada durante un periodo de tiempo largo, la batería deberá ser retirada de la herramienta.

GUARDE ESTAS INSTRUCCIONES.

⚠PRECAUCIÓN: Utilice solamente baterías genuinas de Makita. La utilización de baterías no genuinas de Makita, o baterías que han sido alteradas, puede resultar en una explosión de la batería ocasionando incendios, heridas personales y daños. También anulará la garantía de Makita para la herramienta y el cargador de Makita.

Consejos para alargar al máximo la vida de servicio de la batería

1. Cargue el cartucho de batería antes de que se descargue completamente. Detenga siempre la operación y cargue el cartucho de batería cuando note menos potencia en la herramienta.
2. No cargue nunca un cartucho de batería que esté completamente cargado. La sobrecarga acortará la vida de servicio de la batería.
3. Cargue el cartucho de batería a temperatura ambiente de 10 °C - 40 °C. Si un cartucho de batería está caliente, déjelo enfriar antes de cargarlo.

Resumen de la clavadora

- Fig.1: 1. Cubierta del gas 2. Gatillo 3. Cargador 4. Palanca del empujador 5. Botón del empujador 6. Elemento de contacto 7. Abertura de escape 8. Lámpara 9. Lámpara de indicación 10. Cartucho de batería

DESCRIPCIÓN DEL FUNCIONAMIENTO

⚠PRECAUCIÓN:

- Asegúrese siempre de retirar el recipiente de gas, el cartucho de batería y los clavos antes de ajustar o comprobar una función en la herramienta.

Instalación o extracción del cartucho de batería

⚠PRECAUCIÓN:

- Apague siempre la herramienta antes de instalar o extraer el cartucho de batería.
- **Sujete la herramienta y el cartucho de batería firmemente cuando instale o extraiga el cartucho de batería.** Si no sujeta la herramienta y el cartucho de batería firmemente podrá ocasionar que se deslicen de sus manos y resultar en daños a la herramienta y el cartucho de batería y heridas personales.

► Fig.2: 1. Cartucho de batería

Para instalar el cartucho de batería, sujételo de manera que la forma de la parte delantera del cartucho de batería encaje en la de la abertura de instalación de la batería y deslícelo al interior hasta encajarlo en su sitio. Insértelo a tope hasta que se bloquee en su sitio produciendo un pequeño chasquido.

► Fig.3: 1. Cartucho de batería 2. Botón

Para retirar el cartucho de batería, retírelo de la herramienta mientras presiona ambos costados del cartucho.

⚠PRECAUCIÓN:

- Inserte siempre el cartucho de batería a tope hasta que se bloquee en su sitio. En caso contrario, podrá caerse accidentalmente de la herramienta, ocasionando heridas a usted o a alguien alrededor de usted.
- No instale el cartucho de batería por la fuerza. Si el cartucho no se desliza con facilidad, significa que no se está insertando de manera correcta.

Encendido de la lámpara

⚠PRECAUCIÓN:

- No mire la luz ni vea la fuente de luz directamente.

► Fig.4: 1. Botón de la lámpara

Para encender la lámpara, presione el botón de la lámpara. Para apagar la lámpara, presione el botón de la lámpara otra vez.

Recipiente de gas

Colocación de la válvula de medición en el recipiente de gas

► **Fig.5:** 1. Válvula de medición 2. Tapa

Retire la tapa (en caso de que la válvula de medición esté provista de tapa).

► **Fig.6**

Empuje hacia dentro el borde delantero.

► **Fig.7**

Empuje hacia dentro el borde trasero hasta que asiente.

Inserción del recipiente de gas

► **Fig.8**

Empuje hacia arriba y tire de la cubierta del gas para abrir.

► **Fig.9:** 1. Boquilla de chorro

Inserte el recipiente de gas dirigiendo la boquilla de chorro de la válvula de medición hacia el adaptador.

► **Fig.10**

Inserte la boquilla de chorro en el agujero pequeño del adaptador correctamente.

► **Fig.11**

Ponga la cubierta del gas encima de la válvula de medición y empújela hacia abajo para engancharla.

Ajuste de la profundidad de clavado

⚠PRECAUCIÓN:

- Retire el recipiente de gas, el cartucho de batería y los clavos antes de ajustar la profundidad de clavado.

► **Fig.12:** 1. Ajustador

Para obtener una profundidad menor, gire el ajustador en dirección hacia la derecha como se muestra en la figura. Para obtener una profundidad mayor, gire el ajustador en dirección hacia la izquierda.

No gire el ajustador demasiado, o el ajustador se podrá atascar.

Lámpara de indicación

El color de la lámpara de indicación tiene el significado siguiente.

Parpadeando en verde: Estado normal

Parpadeando en rojo: Hay que cargar el cartucho de batería **Iluminada en rojo:** Recargue el cartucho de batería.

El clavado no se puede realizar debido a que no queda capacidad de batería restante.

Parpadeando en naranja: Se recomienda limpiar completamente. Consulte la sección "MANTENIMIENTO" para limpiar dentro de la herramienta completamente.

Para restablecer el parpadeo en naranja de la lámpara de indicación, presione el elemento de contacto durante cinco segundos, y después presione el elemento de contacto cinco veces.

Parpadeando en naranja después de parpadear en verde y rojo alternativamente: Está funcionando la detección de fallos. Retire y vuelva a insertar el cartucho de batería para restablecer. Si la detección de fallos está funcionando otra vez, existe una condición de mal funcionamiento. Pida al centro de servicio Makita local que lo reparen.

Gancho

⚠**PRECAUCIÓN:** Retire siempre la batería cuando cuelgue la herramienta. No cuelgue la herramienta en su cinturón.

► **Fig.13:** 1. Gancho

El gancho resulta útil para colgar la herramienta temporalmente.

El gancho se puede ajustar en dos posiciones según dónde se vaya a colgar la herramienta.

Para cambiar la posición del gancho, presione sus patas hacia dentro desde ambos lados y cambie a otra posición.

MONTAJE

⚠PRECAUCIÓN:

- Retire siempre el recipiente de gas y el cartucho de batería antes de realizar cualquier trabajo en la herramienta.

Para cargar la clavadora

► **Fig.14:** 1. Botón

Inserte una tira de clavos en la hendidura de la parte trasera del cargador. Los clavos se detendrán en la entrada del cargador debido al retenedor de clavos. Desbloquee el cargador presionando el botón del retenedor de clavos para insertar clavos.

► **Fig.15:** 1. Palanca del empujador

Tire de la palanca del empujador a tope hasta la parte trasera del cargador al tiempo que presiona el botón del empujador. Después libere el botón del empujador, y retorne suavemente la palanca del empujador hasta extremo de la tira.

Para retirar clavos

► **Fig.16:** 1. Palanca del empujador 2. Retenedor de clavos

Tire de la palanca del empujador y presione el botón del empujador para liberar el retenedor de clavos, y después devuelva la palanca del empujador a la parte superior a la vez que presiona el botón del empujador. Deslice los clavos hacia la parte trasera del cargador. Los clavos se detendrán en la entrada del cargador debido al retenedor de clavos. Desbloquee el cargador presionando el botón del retenedor de clavos para retirar los clavos.

Para cambiar el cargador (accesorio opcional)

► **Fig.17:** 1. Perno

Hay disponible un cargador de una longitud diferente como accesorio opcional.

Para cambiar el cargador, afloje el perno y retire el cargador. Después instale el cargador nuevo. Y apriete el perno del cargador.

OPERACIÓN

⚠️ ADVERTENCIA:

- No toque alrededor de la abertura de escape. La superficie estará muy caliente durante o después de una operación. Tocar alrededor de la abertura de escape puede ocasionar quemaduras o heridas.

⚠️ PRECAUCIÓN:

- Asegúrese siempre de que todos los sistemas de seguridad están en buen estado de funcionamiento antes de la operación.

Comprobación del accionamiento correcto antes de la operación

Antes de la operación, compruebe siempre los puntos siguientes.

- Asegúrese de que la herramienta no funciona únicamente instalando el cartucho de batería y el recipiente de gas.
- Asegúrese de que la herramienta no funciona únicamente apretando el gatillo.
- Asegúrese de que la herramienta no funciona únicamente colocando el elemento de contacto contra la pieza de trabajo sin apretar el gatillo.
- Asegúrese de que la herramienta no funciona cuando se aprieta el gatillo primero y después se coloca el elemento de contacto contra la pieza de trabajo.

Para clavar clavos

► Fig.18

1. Para clavar un clavo, coloque el elemento de contacto contra la pieza de trabajo. Se activará el motor del ventilador, se inyectará gas combustible en la cámara de combustión y el ventilador lo mezclará con aire.

► Fig.19: 1. Gatillo

2. Sujete el elemento de contacto presionando firmemente y apriete el gatillo. El gas combustible se quemará y se clavará el clavo.
3. Solamente se puede iniciar otro clavado después de que el elemento de contacto y el gatillo hayan sido liberados.

Clavado de clavos en cemento

⚠️ ADVERTENCIA:

- Para cemento utilice solamente clavos templados. Si utiliza otros tipos de clavos podrá ocasionar graves heridas. No clave directamente en el cemento. En caso contrario podrá ocasionar que salgan volando fragmentos de cemento o que los clavos reboten, ocasionando heridas graves.
- Cuando clave clavos, sujete la herramienta de tal forma que esté en posición recta a la superficie de clavado. El clavado inclinado de clavos podrá ocasionar que salgan volando fragmentos de cemento o que los clavos reboten, ocasionando heridas graves.
- No utilice la herramienta sobre una superficie de la cual salgan objetos, como un área donde haya colocados colgadores para tuberías de desagüe, tuberías de polvo, etc.

⚠️ PRECAUCIÓN:

- Utilice esta herramienta solamente para cemento blando que no haya sido hecho hace mucho tiempo. Si se utiliza en cemento duro los clavos podrán doblarse o no clavarse a suficiente profundidad.
- Cuando la profundidad de penetración en cemento requerida sea de más de 20 mm, es posible que no se pueda obtener un clavado de la longitud suficiente. Los clavos podrán clavarse muy poco ocasionando que la pieza de trabajo sea inestable, resultando en heridas personales y daños a la propiedad.
- Cuando clave clavos directamente sobre superficies duras como acero y cemento, presione el elemento de contacto firmemente contra la pieza de trabajo para evitar que se deslice.

Elija y utilice clavos apropiados de forma que la profundidad de penetración en el cemento alcance entre 15 mm - 20 mm.

► Fig.20: 1. Chapa de acero fina 2. Profundidad de penetración en cemento

Mecanismo de antidisparo en seco

Este mecanismo evita que la herramienta sea disparada sin clavos.

La prevención de disparo en seco funciona automáticamente cuando el resto de clavos llega a las 2 o 3 últimas unidades.

Clavadora atascada

⚠️ ADVERTENCIA:

- Asegúrese siempre de retirar el recipiente de gas y el cartucho de batería antes de despejar un atasco.

⚠️ PRECAUCIÓN:

- No utilice clavos o tira de clavos deformados. De lo contrario, ocasionará una mala alimentación de clavos.

Siga el procedimiento para retirar clavos y retire los clavos atascados.

► **Fig.21:** 1. Cargador

Retire el recipiente de gas, el cartucho de batería y los clavos.

Afloje el perno del cargador. Retire el cargador y los clavos atascados.

► **Fig.22**

Si los clavos no se pueden retirar después de realizar el método de arriba, haga lo siguiente.

Inserte una varilla pequeña o algo similar en el eyector y golpéela ligeramente con un martillo para expulsar los clavos atascados del eyector.

► **Fig.23:** 1. Guía del impulsor inferior 2. Perno

► **Fig.24**

Si todavía quedan clavos en el eyector, haga lo siguiente.

Afloje los pernos del eyector utilizando una llave hexagonal. Retire la guía del impulsor inferior. Y retire los clavos atascados.

Vuelva a colocar la guía del impulsor inferior y apriete los pernos después de haber retirado los clavos atascados.

Vuelva a colocar el cargador y apriete el perno.

MANTENIMIENTO

⚠PRECAUCIÓN:

- Retire siempre el recipiente de gas, el cartucho de batería y los clavos antes de intentar realizar una inspección o mantenimiento.
- No utilice nunca gasolina, bencina, disolvente, alcohol o similares. Podría producir descoloración, deformación o grietas.

Mantenimiento después del trabajo diario

Compruebe siempre la herramienta para observar su condición general y por si hay tornillos flojos antes de la operación. Apriete según se requiera.

Al final del trabajo diario, realice una rutina de final de día de trabajo.

Estos pasos sencillos tienen como finalidad mantener la seguridad y el rendimiento de la herramienta.

Antes de retirarse del lugar de trabajo:

- Retire el cartucho de batería y guárdelo en el maletín de transporte de la herramienta. Utilice siempre el maletín de transporte de la herramienta para transportar y guardar la herramienta.
- Deseche todos los recipientes vacíos donde no sean encontrados por los niños, aplastados, perforados ni quemados.

Cuando llegue a casa:

- Coloque el cartucho de batería en su cargador si necesita ser cargado como se verá indicado mediante la lámpara de indicación roja.
- Limpie la herramienta con un paño limpio y suave.
- Compruebe el filtro y límpielo si está polvoriento.

Limpieza del filtro de aire

► **Fig.25:** 1. Cubierta del filtro

► **Fig.26:** 1. Cubierta del filtro 2. Filtro

Presione ligeramente hacia arriba la cubierta del filtro y retírela. Y después simplemente saque el filtro.

Golpee ligeramente el filtro para retirar cualquier resto de suciedad. El jabón y el agua restablecen el filtro casi a la condición de cuando era nuevo.

Para mantener la SEGURIDAD y FIABILIDAD del producto, las reparaciones, y cualquier otra tarea de mantenimiento o ajuste deberán ser realizadas en centros de servicio autorizados por Makita, empleando siempre piezas de repuesto de Makita.

Limpieza completa

Si ocurren disparos en seco con frecuencia, lo que significa que la herramienta necesita ser limpiada completamente.

Consulte la guía de limpieza adjunta para ver detalles, y realice la limpieza.

Si tiene alguna pregunta referente a la limpieza, pregunte al centro de servicio Makita local.

ACCESORIOS OPCIONALES

⚠PRECAUCIÓN:

- Estos accesorios o aditamentos son los recomendados para utilizar con la herramienta Makita especificada en este manual. El uso de otros accesorios o aditamentos puede suponer un riesgo de lesiones personales. Solamente utilice el accesorio o aditamento para su fin específico.

Si necesita ayuda para obtener más detalles sobre estos accesorios, consulte a su centro de servicio Makita local.

- Clavos
- Cargador
- Gafas de protección
- Recipiente de gas
- Kit de limpieza
- Batería y cargador genuinos de Makita

NOTA:

- Algunos elementos de la lista podrán estar incluidos en el paquete de la herramienta como accesorios estándar. Pueden variar de un país a otro.












ESPECIFICAÇÕES

Modelo	GN420C	
Capacidade de pregos	20 pregos (2 tiras)	40 pregos (4 tiras)
Dimensões (C x L x A)	315 mm x 108 mm x 390 mm	430 mm x 108 mm x 390 mm
Peso líquido	3,6 kg	3,8 kg
Comprimento do prego x Diâmetro da haste	Comp. do prego: 15 mm - 40 mm d: 2,6 mm - 3,1 mm	
Tensão nominal	CC 7,2 V	

- Devido ao nosso programa contínuo de investigação e desenvolvimento, as especificações aqui contidas estão sujeitas a alteração sem aviso prévio.
- As especificações e a bateria podem diferir de país para país.

Símbolos

A seguir são apresentados os símbolos utilizados para o equipamento. Certifique-se de que compreende o seu significado antes da utilização.

	Leia o manual de instruções.
	Recipiente sob pressão, mantenha afastado de temperaturas superiores a 50 °C (por exemplo, radiação solar). Mantenha o recipiente num local bem ventilado.
	Utilize apenas no exterior ou em espaços bem ventilados. Não respire gás.
	Não utilize próximo de chamas ou pulverizadores em superfícies aquecidas. Durante a utilização, pode formar uma mistura de vapor-ar inflamável/explosiva.
	Não danifique, perfure ou queime mesmo após a utilização.
	Use óculos de proteção.
	Utilize proteção auditiva.
	Mantenha os dedos afastados do gatilho quando não estiver a pregar fixadores para evitar o disparo acidental.
	Utilize apenas numa área ventilada para evitar náuseas e perda de consciência. Nunca utilize a ferramenta em atmosferas combustíveis. O escape da ferramenta pode inflamar materiais inflamáveis.
	Não utilize em andaimos, escadotes.
	Aviso: superfície quente! Não toque em torno deste símbolo. Tocar na superfície pode provocar queimaduras ou ferimentos.



Apenas para países da UE
Não elimine equipamentos elétricos ou conjuntos de baterias juntamente com resíduos domésticos!
Em cumprimento das Diretivas Europeias relativas aos resíduos de equipamentos elétricos e eletrónicos e baterias e acumuladores e resíduos de baterias e acumuladores e à sua implementação de acordo com as leis nacionais, os equipamentos elétricos e as baterias e conjunto(s) de baterias que atingiram o fim de vida têm de ser recolhidos separadamente e devolvidos a instalações de reciclagem compatíveis a nível ambiental.

Utilização a que se destina

A ferramenta foi concebida para fixar uma chapa de aço fina ao betão.

Ruído

O nível de ruído ponderado A típico determinado de acordo com a EN ISO 11148-13:

Nível de pressão sonora (L_{pA}): 96 dB (A)
Nível de potência sonora (L_{WA}): 100 dB (A)
Incerteza (K): 3 dB (A)

Use proteção auditiva

Vibração

O valor total da vibração determinado de acordo com a EN ISO 11148-13:

Emissão de vibração (a_{h1}): 3,5 m/s²
Incerteza (K): 1,5 m/s²

NOTA: O valor da emissão de vibração declarado foi medido de acordo com o método de teste padrão e poderá ser utilizado para comparação de ferramentas entre si.

NOTA: O valor da emissão de vibração declarado também poderá ser utilizado numa avaliação preliminar da exposição.

AVISO: A emissão de vibração durante a utilização efetiva da ferramenta elétrica pode diferir do valor de emissão declarado, dependendo das formas em que a ferramenta é utilizada.

AVISO: Certifique-se de que identifica as medidas de segurança para proteger o operador baseadas numa estimativa da exposição nas condições de utilização efetivas (tendo em conta todas as partes do ciclo operacional, tais como os períodos em que a ferramenta está desligada e quando está a funcionar inerte, para além do tempo de accionamento).

Declaração de conformidade da CE

Apenas para os países europeus

A declaração de conformidade da CE está incluída como Anexo A neste manual de instruções.

Avisos de segurança do pinador a gás

AVISO: Leia todos os avisos de segurança e todas as instruções. Se não seguir todos os avisos e instruções pode provocar ferimentos graves, choques elétricos e/ou incêndios.

Guarde todos os avisos e instruções para futuras referências.

Para segurança pessoal e para o funcionamento e manutenção corretos da ferramenta, leia este manual de instruções antes de utilizar a ferramenta.

Segurança geral

1. É proibida qualquer outra utilização, exceto a utilização prevista desta ferramenta. As ferramentas de aparafusar com fixador com atuação de contacto contínua ou atuação de contacto apenas devem ser utilizadas para aplicações de produção.
2. Mantenha os dedos afastados do gatilho quando não estiver a operar esta ferramenta e quando mudar de uma posição operacional para outra.
3. Múltiplos riscos. Leia e compreenda as instruções de segurança antes de ligar, desligar, carregar, operar, manter, substituir acessórios na ferramenta ou trabalhar junto desta. Caso não o faça pode resultar em lesões graves.
4. Mantenha todas as partes do corpo, tais como as mãos e as pernas, etc. afastadas da direção de disparo e assegure que o fixador não consegue penetrar a peça de trabalho nas partes do corpo.
5. Quando utilizar esta ferramenta, tenha em consideração que o fixador pode desviar-se e causar lesões.
6. Segure a ferramenta firmemente e esteja preparado para lidar com o recuo.
7. Apenas operadores tecnicamente qualificados devem utilizar a ferramenta de aparafusar com fixador.

8. Não modifique a ferramenta de aparafusar com fixador. As modificações poderão reduzir a eficácia das medidas de segurança e aumentar os riscos para o operador e/ou espectador.
9. Não elimine o manual de instruções.
10. Não utilize a ferramenta se esta tiver sofrido danos.
11. Tenha cuidado quando manusear fixadores, especialmente quando carregar e descarregar, dado que os fixadores têm pontas afiadas que podem causar lesões.
12. Verifique sempre a ferramenta apresenta peças partidas, mal conectadas ou gastas antes de utilizar a ferramenta.
13. Não tente alcançar um lugar à distância. Utilize a ferramenta apenas num local de trabalho seguro. Mantenha sempre uma posição e equilíbrio apropriados.
14. Mantenha os espectadores afastados (quando estiver a trabalhar numa área na qual existe a probabilidade de tráfego de pessoas). Delimite claramente a sua área de operação.
15. Nunca aponte a ferramenta na sua direção ou na direção de outras pessoas.
16. Não deixe o dedo pousado no gatilho quando pegar na ferramenta, mover-se entre as áreas e as posições de operação ou quando andar, pois o dedo pousado no gatilho pode causar o funcionamento inadvertido da ferramenta. Para as ferramentas com atuação seletiva, verifique sempre a ferramenta antes de utilizá-la, de modo a assegurar que o modo selecionado é o correto.
17. Use luvas que apenas proporcionem a sensação adequada e o controlo seguro de gatilhos e de quaisquer dispositivos de regulação.
18. Quando posar a ferramenta, coloque-a numa superfície plana. Se utilizar o gancho equipado com a ferramenta, enganche a ferramenta firmemente à superfície estável.
19. Não a utilize quando estiver sob a influência do álcool, drogas ou outros semelhantes.

Riscos de projeção

1. A ferramenta de aparafusar com fixador deve estar desligada quando descarregar fixadores, realizar ajustes, desimpedir encravamentos ou substituir acessórios.
2. Durante o funcionamento, assegure que os fixadores penetram o material corretamente e que não podem ser desviados/disparados incorretamente em direção ao operador e/ou a quaisquer espectadores.
3. Durante o funcionamento, os resíduos da peça de trabalho e do sistema de fixação/disposição podem ser descarregados.
4. Use sempre óculos de proteção para proteger os seus olhos contra lesões quando utilizar ferramentas elétricas. Os óculos de proteção devem cumprir os requisitos da ANSI Z87.1 nos EUA, EN 166 na Europa ou AS/NZS 1336 na Austrália/Nova Zelândia. Na Austrália/Nova Zelândia, é legalmente obrigatório o uso de um protetor facial para proteger o seu rosto também.



Cabe ao empregador a responsabilidade de impor o uso de equipamentos de proteção e segurança apropriados por parte dos operadores de ferramentas e por parte de outras pessoas na área de trabalho imediata.

- Os riscos para outras pessoas devem ser avaliados pelo operador.
- Tenha cuidado com as ferramentas sem contacto com a peça de trabalho, pois podem ser disparadas inadvertidamente e ferir o operador e/ou espectadores.
- Assegure que a ferramenta está sempre engatada em segurança na peça de trabalho e que não desliza.
- Utilize proteção auricular para proteger os ouvidos contra ruído de escape e proteção para a cabeça. Use ainda vestuário leve, mas não largo. As mangas devem ser abotoadas ou estar enroladas. Não deve usar gravatas.

Riscos de operação

- Segure a ferramenta corretamente: esteja preparado para reagir a movimentos normais e repentinos, tais como recuo.
- Mantenha uma postura corporal equilibrada e uma posição segura.
- Devem ser utilizados óculos de proteção apropriados e recomenda-se o uso de luvas e vestuário de proteção apropriados.
- Deve ser usada proteção auditiva apropriada.
- Utilize a fonte de alimentação correta conforme indicado no manual de instruções.
- Não utilize a ferramenta em plataformas móveis ou traseira de camiões. O movimento súbito da plataforma poderá perder o controlo da ferramenta e causar lesões.
- Assuma sempre que a ferramenta contém os fixadores.
- Não apresse o trabalho nem force a ferramenta. Manuseie a ferramenta com cuidado.
- Tenha cuidado e mantenha-se numa posição firme e equilibrada ao utilizar a ferramenta. Certifique-se de que ninguém está por baixo quando trabalha em locais altos.
- Nos telhados e outros locais altos, aparafuse os fixadores à medida que vai avançando. É fácil perder o equilíbrio se aparafusar os fixadores quando está a andar para trás. Quando aparafusar os fixadores contra uma superfície perpendicular, trabalhe de cima para baixo. Pode realizar operações de aparafusamento com menos esforço se o fizer desta forma.

- Se aparafusar por engano um fixador sobre outro, ou se atingir um nó da madeira, o fixador pode dobrar-se ou a ferramenta pode encravar. O fixador pode ser atirado para longe e acertar em alguém ou a própria ferramenta pode reagir de forma perigosa. Coloque os fixadores com cuidado.
- Nunca tente aparafusar os fixadores a partir de dentro e de fora ao mesmo tempo. Os fixadores podem ser arrancados e/ou serem arremessados para longe, apresentando um perigo grave.

Riscos de movimentos repetitivos

- Quando utiliza uma ferramenta por períodos prolongados, o operador poderá experimentar desconforto nas mãos, braços, ombros, pescoço ou outras partes do corpo.
- Enquanto utiliza uma ferramenta, o operador deve adotar uma postura cómoda mas ergonómica. Mantenha uma posição segura e evite posturas estranhas ou desequilibradas.
- Se o operador experimentar sintomas, tais como desconforto persistente ou recorrente, dor, palpitações, dormência, entorpecimento, sensação de queimadura ou rigidez, não ignore estes sinais de aviso. O operador deve consultar um profissional de saúde qualificado no que diz respeito a atividades em geral.
- A utilização contínua da ferramenta poderá causar a lesão por esforço repetitivo devido ao recuo produzido pela ferramenta.
- Para evitar lesões decorrentes de esforço repetitivo, o operador não deve tentar chegar a locais de difícil acesso ou utilizar força excessiva. Além disso, o operador deve fazer uma pausa para descansar quando sentir fadiga.
- Realize uma avaliação de risco relativamente aos perigos de movimento repetitivo. Esta deve concentrar-se nas desordens músculo-esqueléticas e basear-se preferencialmente no pressuposto de que a diminuição da fadiga durante o trabalho é eficaz na redução das desordens.

Riscos relacionados com acessórios e consumíveis

- Remova o recipiente de gás e a bateria antes de trocar/substituir os acessórios, tais como o contacto com a peça de trabalho, ou realizar quaisquer ajustes.
- Utilize apenas os tamanhos e os tipos de acessórios que são fornecidos pelo fabricante.
- Utilize apenas os lubrificantes recomendados neste manual.

Riscos no local de trabalho

- Os escorregões, tropeções e quedas são as principais causas de lesão no local de trabalho. Tenha cuidado com superfícies escorregadias causadas pela utilização da ferramenta e também com os riscos de tropeções causados pela mangueira da linha de ar.
- Proceda com cuidado redobrado em ambientes com os quais não está familiarizado. Poderão existir riscos ocultos, tais como linhas de eletricidade ou outra utilidade.

3. Esta ferramenta não se destina à utilização em atmosferas potencialmente explosivas e não está isolada contra o contacto com a corrente elétrica.
 4. **Certifique-se de que não existem cabos elétricos, tubos de gás, etc. que possam causar um risco caso sejam danificados pela utilização da ferramenta.**
 5. **Mantenha a área de trabalho limpa e bem iluminada.** As áreas obstruídas ou escuras dão origem a acidentes.
 6. **Podem existir regulamentos locais referentes ao ruído, que têm de ser cumpridos, mantendo os níveis de ruído dentro dos limites indicados. Em determinados casos, devem ser utilizadas persianas para conter o ruído.**
4. **Se experienciar entorpecimento, dormência, dor ou palidez da pele nos seus dedos ou mãos, procure aconselhamento médico de um profissional de saúde ocupacional no que diz respeito a atividades em geral.**
 5. **Opere e mantenha a ferramenta conforme recomendado nestas instruções, de modo a prevenir o aumento desnecessário dos níveis de vibração.**
 6. **Segure a ferramenta com um aperto leve mas seguro, porque o risco de vibração é geralmente superior quando a força de aperto é superior.**

Instruções de segurança adicionais para ferramentas a gás

Riscos relacionados com pó e exaustão

1. **Verifique sempre ambiente em seu redor.** O escape da ferramenta poderá soprar pó ou objetos e atingir o operador e/ou os espectadores.
2. **Direcione o escape de modo a minimizar perturbações devidas a poeira num ambiente repleto de poeira.**
3. **Se for emitida poeira ou objetos na área de trabalho, reduza a emissão o máximo possível para reduzir os perigos de saúde e o risco de lesão.**

Riscos relacionados com ruído

1. **A exposição desprotegida a elevados níveis de ruído pode causar a perda permanente e incapacitante da audição e outros problemas, tais como tinido (zumbido, zunido, assobio ou murmúrio nos ouvidos).**
2. **Realize uma avaliação de risco relativamente aos perigos de ruído na área de trabalho e implemente os controlos apropriados para estes perigos.**
3. **Os controlos apropriados para reduzir o risco poderão incluir ações, tais como materiais de isolamento para prevenir o zumbido das peças de trabalho.**
4. **Utilize proteção auditiva apropriada.**
5. **Opere e mantenha a ferramenta conforme recomendado nestas instruções, de modo a prevenir o aumento desnecessário dos níveis de ruído.**
6. **Adote medidas de redução do ruído, por exemplo, ao colocar as peças de trabalho sobre suportes amortecedores de som.**

Riscos relacionados com vibração

1. **A emissão de vibração durante o funcionamento depende da força de aderência, da força da pressão de contacto, da direção de trabalho, do ajuste do fornecimento de energia, da peça de trabalho, do suporte da peça de trabalho. Realize uma avaliação de risco relativamente aos perigos de vibração e implemente os controlos apropriados para estes perigos.**
2. **A exposição à vibração pode causar danos incapacitantes nos nervos e suprimento sanguíneo das mãos e braços.**
3. **Use vestuário quente quando trabalhar em condições atmosféricas frias, mantenha as mãos quentes e secas.**

1. **Utilize a ferramenta apenas com o recipiente de gás genuíno da Makita.**
2. **Tenha cuidado quando utilizar ferramentas a gás, dado que a ferramenta pode aquecer, afetando a aderência e o controlo.**
3. **As ferramentas de aparafusar com fixador a gás devem ser utilizadas em espaços ventilados.**
4. **No caso de o gás combustível líquido entrar em contacto com a pele humana, podem ocorrer ferimentos.**
5. **Os recipientes de gás devem ser marcados de acordo com a regulamentação dos transportes obrigatória.**
6. **Manuseie os recipientes de gás com cuidado e verifique se existem danos. Os recipientes de gás danificados podem explodir e causar ferimentos.**
7. **Leia e cumpra as instruções fornecidas com o recipiente de gás.**
8. **Assegure que os materiais combustíveis não são expostos a gases de escape quentes.**
9. **Não utilize ferramentas a gás em áreas explosivas uma vez que as faíscas geradas na ferramenta podem causar um incêndio ou uma explosão.**
10. **Os recipientes de gás não devem ser armazenados descuidadamente ou a altas temperaturas. Cumpra os regulamentos locais e as instruções do recipiente de gás para o manuseamento e eliminação dos recipientes de gás e baterias ou acumuladores.**
11. **No caso das ferramentas a gás, uma pequena libertação de gás pode ser gerada pelas operações regulares.**

Utilização e cuidados com a ferramenta a bateria

1. **Recarregue apenas com o carregador especificado pelo fabricante.** Um carregador adequado para um tipo de bateria pode criar um risco de incêndio quando utilizado com outra bateria.
2. **Utilize as ferramentas elétricas apenas com as baterias especificamente designadas.** A utilização de uma bateria diferente pode criar um risco de ferimentos e de incêndio.
3. **Quando a bateria não está a ser utilizada, mantenha-a afastada de outros objetos metálicos, como cliques, moedas, chaves, pregos, parafusos ou outros objetos metálicos pequenos que possam fazer a ligação entre os dois terminais.** Colocar os terminais da bateria em curto-circuito um com o outro pode provocar queimaduras ou um incêndio.

4. **Em condições abusivas, o líquido pode ser ejetado da bateria; evite o contacto com o mesmo. Se ocorrer um contacto acidental, lave com água. Se o líquido entrar em contacto com os olhos, procure também assistência médica.** O líquido ejetado da bateria pode provocar irritações ou queimaduras.
5. **Não utilize um conjunto de baterias ou uma ferramenta que se encontrem danificados ou modificados.** As baterias danificadas ou modificadas poderão exibir um comportamento imprevisível, resultando em incêndio, explosão ou risco de lesão.
6. **Não exponha um conjunto de baterias ou uma ferramenta a incêndio ou temperatura excessiva.** A exposição a incêndio ou a uma temperatura superior a 130 °C poderá causar uma explosão.
7. **Siga todas as instruções de carregamento e não carregue o conjunto de baterias ou ferramenta fora da amplitude de temperaturas especificada nas instruções.** O carregamento impróprio ou a temperaturas fora da amplitude especificada poderá danificar a bateria e aumentar o risco de incêndio.

Dispositivos de segurança

1. **Certifique-se de que todos os sistemas de segurança estão em boas condições de trabalho antes da utilização.** A ferramenta não pode ser utilizada se só o gatilho estiver puxado ou se só o braço de contacto estiver pressionado contra a madeira. Só pode funcionar quando as duas ações são realizadas. Testar quanto a possível funcionamento deficiente com os fixadores descarregados e o empurrador na posição de totalmente puxado.
2. **Segurar o gatilho na posição LIGADO é muito perigoso.** Nunca tente apertar o gatilho.
3. **Não tente manter fixo o elemento de contacto por meio de fita-cola ou de um fio.** Pode ocorrer morte ou ferimentos graves.
4. **Verifique sempre os elementos de contacto como indicado neste manual.** Os fixadores podem ser acidentalmente aparafusados se o mecanismo de segurança não estiver a funcionar corretamente.

Assistência

1. **Realize uma limpeza e manutenção logo após terminar o trabalho.** Mantenha a ferramenta nas melhores condições. Lubrifique as peças móveis para evitar a ferrugem e para minimizar o desgaste relacionado com a fricção. Limpe todo o pó das peças.
2. **Solicite uma inspeção periódica da ferramenta num centro de assistência autorizado da Makita.**
3. **Para manter a SEGURANÇA e FIABILIDADE do produto, as manutenções e reparações devem ser realizadas pelos centros de assistência autorizados da Makita, utilizando sempre peças de substituição Makita.**
4. **Respeite os regulamentos locais quando eliminar a ferramenta.**

GUARDE ESTAS INSTRUÇÕES.

AVISO: NÃO permita que o conforto ou familiaridade com o produto (adquirido com o uso repetido) substitua o cumprimento estrito das regras de segurança da ferramenta. A MÁ INTERPRETAÇÃO ou o não seguimento das regras de segurança estabelecidas neste manual de instruções pode provocar ferimentos pessoais graves.

Instruções de segurança importantes para a bateria

1. **Antes de utilizar a bateria, leia todas as instruções e etiquetas de precaução no (1) carregador de bateria (2) bateria e (3) produto que utiliza a bateria.**
2. **Não abra a bateria.**
3. **Se o tempo de funcionamento se tornar excessivamente curto, pare o funcionamento imediatamente. Pode resultar em sobreaquecimento, possíveis queimaduras e mesmo explosão.**
4. **Se entrar eletrólito nos seus olhos, lave-os com água e consulte imediatamente um médico. Pode resultar em perda de visão.**
5. **Não coloque a bateria em curto-circuito:**
 - (1) **Não toque nos terminais com qualquer material condutor.**
 - (2) **Evite guardar a bateria juntamente com outros objetos metálicos tais como pregos, moedas, etc.**
 - (3) **Não exponha a bateria à água ou chuva. Um curto-circuito pode ocasionar um enorme fluxo de corrente, sobreaquecimento, possíveis queimaduras e mesmo estragar-se.**
6. **Não guarde a ferramenta e a bateria em locais onde a temperatura pode atingir ou exceder 50°C.**
7. **Não queime a bateria mesmo que esteja estragada ou completamente gasta. A bateria pode explodir no fogo.**
8. **Tenha cuidado para não deixar cair ou dar pancadas na bateria.**
9. **Não utilize uma bateria danificada.**
10. **As baterias de íões de lítio contidas na ferramenta são sujeitas aos requisitos da DGL (Dangerous Goods Legislation - Legislação de bens perigosos).**

Para o transporte comercial, por exemplo, por terceiros ou agentes de expedição, têm de ser observados os requisitos referentes à embalagem e etiquetagem.

Para preparação do artigo a ser expedido, é necessário consultar um perito em materiais perigosos. Tenha ainda em conta a possibilidade de existirem regulamentos nacionais mais detalhados.

Coloque fita-cola ou tape os contactos abertos e embale a bateria de tal forma que não possa mover-se dentro da embalagem.
11. **Quando eliminar a bateria, remova-a da ferramenta e elimine-a num local seguro. Siga os regulamentos locais relacionados com a eliminação de baterias.**

12. **Utilize as baterias apenas com os produtos especificados pela Makita.** Instalar as baterias em produtos não-conformes poderá resultar num incêndio, calor excessivo, explosão ou fuga de eletrólito.
13. **Se a ferramenta não for utilizada durante um período de tempo prolongado, a bateria deve ser removida da ferramenta.**

GUARDE ESTAS INSTRUÇÕES.

⚠PRECAUÇÃO: Utilize apenas baterias genuínas da Makita. A utilização de baterias não genuínas da Makita ou de baterias que foram alteradas, pode resultar no rebentamento da bateria provocando incêndios, ferimentos pessoais e danos. Além disso, anulará da garantia da Makita no que se refere à ferramenta e ao carregador Makita.

Conselhos para manter a máxima vida útil da bateria

1. **Carregue a bateria antes que esteja completamente descarregada. Pare sempre o funcionamento da ferramenta e carregue a bateria quando notar menos poder na ferramenta.**
2. **Nunca carregue uma bateria completamente carregada. Carregamento excessivo diminui a vida útil da bateria.**
3. **Carregue a bateria à temperatura ambiente de 10°C – 40°C. Deixe que uma bateria quente arrefeça antes de a carregar.**

Visão geral do pinador

- **Fig.1:** 1. Tampa de combustível 2. Gatilho 3. Magazine 4. Alavanca de premir 5. Botão de premir 6. Elemento de contacto 7. Ventilador de exaustão 8. Luz 9. Luz indicadora 10. Bateria

DESCRIÇÃO FUNCIONAL

⚠PRECAUÇÃO:

- Certifique-se sempre de que remove o recipiente de gás, a bateria e os pregos antes de regular ou verificar qualquer função na ferramenta.

Instalar ou remover a bateria

⚠PRECAUÇÃO:

- Desligue sempre a ferramenta antes de instalar ou remover a bateria.
- **Segure firmemente a ferramenta e a bateria quando instalar ou remover a bateria.** Se não segurar firmemente a ferramenta e a bateria pode fazer com que escorreguem das suas mãos resultando em danos na ferramenta e na bateria e ferimentos pessoais.

► **Fig.2:** 1. Bateria

Para instalar a bateria, segure-a de modo que a estrutura dianteira da bateria encaixe na da abertura de instalação da bateria e deslize-a para a posição correta. Insira-a completamente até bloquear na posição correta com um pequeno clique.

► **Fig.3:** 1. Bateria 2. Botão

Para remover a bateria, remova-a da ferramenta enquanto pressiona ambos os lados da bateria.

⚠PRECAUÇÃO:

- Insira sempre a bateria por completo até bloquear na posição correta. Caso contrário, poderá cair da ferramenta acidentalmente e provocar ferimentos em si ou em alguém próximo.
- Não instale a bateria à força. Se a bateria não deslizar facilmente, não está a ser inserida corretamente.

Acender a luz

⚠PRECAUÇÃO:

- Não olhe para a luz ou para a fonte de iluminação diretamente.

► **Fig.4:** 1. Botão da luz

Para ligar a luz, pressione o botão da luz. Para desligar a luz, pressione novamente o botão da luz.

Recipiente de gás

Prender a válvula doseadora ao recipiente de gás

► **Fig.5:** 1. Válvula doseadora 2. Tampão

Desprenda o tampão (no caso de a válvula doseadora ser fornecida com o tampão).

► **Fig.6**

Empurre a extremidade dianteira.

► **Fig.7**

Empurre a extremidade traseira até assentar.

Inserir o recipiente de gás

► Fig.8

Empurre para cima e puxe a tampa de combustível para abrir.

► Fig.9: 1. Bocal de jato

Insira o recipiente de gás direcionando o bocal de jato da válvula doseadora em direção ao adaptador.

► Fig.10

Insira o bocal de jato corretamente no pequeno orifício do adaptador.

► Fig.11

Coloque a tampa de combustível sobre a válvula doseadora e pressione-a para fechar.

Regular a profundidade de pregagem

▲PRECAUÇÃO:

- Remova o recipiente de gás, a bateria e os pregos antes de regular a profundidade de pregagem.

► Fig.12: 1. Regulador

Para obter uma profundidade menor, rode o regulador para a direita conforme ilustrado na figura. Para obter uma profundidade maior, rode o regulador para a esquerda.

Não rode o regulador em demasia, caso contrário, o regulador pode ficar preso.

Luz indicadora

A cor da luz indicadora tem os seguintes significados.

Verde intermitente: Estado normal.

Vermelho intermitente: É necessário recarregar a bateria.

Acende a vermelho: Recarregue a bateria. Não é possível efetuar a pregagem devido à inexistência de restante capacidade da bateria.

Laranja intermitente: Recomenda-se uma limpeza profunda. Consulte a seção "MANUTENÇÃO" para limpar profundamente dentro da ferramenta. Para repor o laranja intermitente da luz indicadora, pressione o elemento de contacto durante cinco segundos e, em seguida, pressione o elemento de contacto cinco vezes.

Laranja intermitente após piscar a verde e a vermelho alternadamente: A deteção de falhas está em curso. Remova e volte a inserir a bateria para repor. Se a deteção de falhas estiver novamente em curso, trata-se de uma condição de avaria. Solicite a respetiva reparação ao centro de assistência da Makita local.

Gancho

▲PRECAUÇÃO: Remova sempre a bateria quando pendurar a ferramenta. Não pendure a ferramenta no cinto.

► Fig.13: 1. Gancho

O gancho é conveniente para pendurar temporariamente a ferramenta.

O gancho pode ser colocado em duas posições de acordo com o local onde a ferramenta será pendurada. Para mudar a posição do gancho, empurre as respetivas bases de ambos os lados e mude para outra posição.

MONTAGEM

▲PRECAUÇÃO:

- Remova sempre o recipiente de gás e a bateria antes de executar qualquer trabalho na ferramenta.

Carregar o pinador

► Fig.14: 1. Botão

Insira uma tira de pregos na ranhura na parte traseira do magazine. Os pregos param à entrada do magazine devido ao batente de pregos. Desbloqueie o magazine pressionando o botão do batente de pregos para inserir os pregos.

► Fig.15: 1. Alavanca de premir

Puxe a alavanca de premir pressionando completamente o botão de premir na parte traseira do magazine. Em seguida, solte o botão de premir e reposicione gentilmente a alavanca de premir na extremidade da tira.

Remover pregos

► Fig.16: 1. Alavanca de premir 2. Batente de pregos

Puxe a alavanca de premir e pressione o botão de premir para soltar o suporte de pregos e, em seguida, reposicione a alavanca de premir na parte superior pressionando o botão de premir.

Deslize os pregos na direção da parte traseira do magazine. Os pregos param à entrada do magazine devido ao batente de pregos. Desbloqueie o magazine pressionando o botão do batente de pregos para remover os pregos.

Mudar o magazine (acessório opcional)

► Fig.17: 1. Perno

Está disponível um magazine com um comprimento diferente como acessório opcional.

Para mudar o magazine, solte o perno e remova o magazine. Em seguida, instale o novo magazine. E aperte o perno no magazine.

OPERAÇÃO

▲AVISO:

- Não toque em torno do ventilador de exaustão. A superfície estará muito quente durante ou após uma operação. Tocar em torno do ventilador de exaustão pode provocar queimaduras ou ferimentos.

▲PRECAUÇÃO:

- Certifique-se de que todos os sistemas de segurança estão em boas condições de trabalho antes da operação.

Verificar a ação adequada antes da operação

Antes da operação, verifique sempre os pontos seguintes.

- Certifique-se de que a ferramenta não funciona instalando apenas a bateria e o recipiente de gás.
- Certifique-se de que a ferramenta não funciona puxando apenas o gatilho.
- Certifique-se de que a ferramenta não funciona colocando apenas o elemento de contacto contra a peça de trabalho sem puxar o gatilho.
- Certifique-se de que a ferramenta não funciona quando se puxa, primeiro, o gatilho e depois se coloca o elemento de contacto contra a peça de trabalho.

Pregar pregos

► Fig.18

1. Para pregar um prego, coloque o elemento de contacto contra a peça de trabalho. O motor do ventilador é ativado, sendo injetado gás combustível para a câmara de combustão e misturado com ar pelo ventilador.

► Fig.19: 1. Gatilho

2. Segure o elemento de contacto pressionando firmemente e puxe o gatilho. O gás combustível é submetido a combustão e o prego é pregado.
3. Só é possível dar início a uma nova pregagem após a libertação do elemento de contacto e do gatilho.

Pregar pregos em betão

▲AVISO:

- Utilize somente pregos endurecidos para betão. A utilização de pregos projetados para outra finalidade pode causar ferimentos graves. Não pregue diretamente no betão. A inobservância desta instrução pode fazer com que os fragmentos de betão sejam arremessados ou com que os pregos sejam atirados para trás, provocando ferimentos graves.
- Quando pregar pregos, segure a ferramenta perpendicular à superfície onde efetua a pregagem. A pregagem de pregos inclinada pode fazer com que os fragmentos de betão sejam arremessados ou com que os pregos sejam atirados para trás, provocando ferimentos graves.
- Não utilize a ferramenta na superfície onde os objetos estão pendurados, tal como a área na qual os apoios para o tubo de esgoto, tubo de pó, etc. estão montados.

▲PRECAUÇÃO:

- Utilize esta ferramenta apenas em betão ainda mole, recém-construído. A utilização em betão duro pode entortar o prego ou impedir que o prego penetre o suficiente.
- Quando for necessário um valor de penetração no betão superior a 20 mm, pode não ser obtida uma pregagem de pregos com o comprimento suficiente. Os pregos podem ser pregados demasiado superficialmente fazendo com que a peça de trabalho fique instável, resultando em ferimentos pessoais e danos materiais.
- Quando pregar um prego diretamente em superfícies duras, tais como aço e betão, pressione o elemento de contacto firmemente contra a peça de trabalho para evitar o deslizamento.

Escolha e utilize pregos apropriados cujo valor de penetração no betão seja entre 15 mm e 20 mm.

- Fig.20: 1. Chapa de aço fina 2. Valor de penetração no betão

Mecanismo antidisparo a seco

Este mecanismo evita que a ferramenta dispare sem prego.

A prevenção de disparo a seco funciona automaticamente quando o resto dos pregos chega para as últimas 2 a 3 peças.

Pinador encravado

▲AVISO:

- Certifique-se sempre de que remove o recipiente de gás e a bateria antes de eliminar um encravamento.

▲PRECAUÇÃO:

- Não utilize pregos ou tiras de pregos deformados. Caso não o faça poderá causar a fraca alimentação de pregos.

Siga o procedimento de remoção de pregos e remova os pregos encravados.

- Fig.21: 1. Magazine

Remova o recipiente de gás, a bateria e os pregos. Solte o perno no magazine. Remova o magazine e remova os pregos encravados.

- Fig.22

Se não for possível remover os pregos após efetuar o método acima referido, proceda do seguinte modo. Insira uma haste pequena ou ferramenta similar na porta de ejeção e dê pancadas com um martelo para extrair os pregos encravados da porta de ejeção.

- Fig.23: 1. Guia do acionador inferior 2. Perno

- Fig.24

Se os pregos permanecerem na porta de ejeção, proceda do seguinte modo.

Solte os pernos na porta de ejeção utilizando uma chave hexagonal. Remova o guia do acionador inferior. E remova os pregos encravados.

Volte a colocar o guia do acionador inferior e aperte os pernos após a remoção dos pregos encravados. Volte a colocar o magazine e aperte o perno.

MANUTENÇÃO

⚠️ PRECAUÇÃO:

- Remova sempre o recipiente de gás, a bateria e os pregos antes de tentar realizar qualquer inspeção ou manutenção.
- Nunca utilize gasolina, benzina, diluente, álcool ou produtos semelhantes. Poderá resultar em descoloração, deformação ou fissuras.

Manutenção após o trabalho diário

Verifique sempre a ferramenta quanto ao seu estado geral e para ver se existem parafusos soltos antes da operação. Aperte conforme necessário.

No final do trabalho diário, realize uma rotina de fim do dia de trabalho.

Estes passos simples têm por base a manutenção da segurança e do desempenho da ferramenta.

Antes de sair do local de trabalho:

- Remova a bateria e guarde numa mala de transporte de ferramentas. Utilize sempre a mala de transporte de ferramentas para transportar e guardar a ferramenta.
- Elimine todos os recipientes vazios num local onde não sejam encontrados por crianças nem sejam esmagados, perfurados ou queimados.

Quando for para casa:

- Coloque a bateria no respetivo carregador se precisar de carregamento conforme indicado pela luz indicadora vermelha.
- Limpe a ferramenta com um pano macio e limpo.
- Verifique o filtro e limpe se estiver poeirento.

Limpar o filtro de ar

► **Fig.25:** 1. Tampa do filtro

► **Fig.26:** 1. Tampa do filtro 2. Filtro

Pressione a tampa do filtro ligeiramente para cima e remova-a. E, em seguida, basta remover o filtro. Bata levemente no filtro para remover o pó. O sabão e a água devolvem o filtro a um estado quase novo. Para manter a **SEGURANÇA** e **FIABILIDADE** do produto, as reparações, qualquer outra manutenção ou ajuste devem ser realizados pelos centros de assistência autorizados da Makita, utilizando sempre peças de substituição Makita.

Limpar profundamente

Se ocorrerem frequentemente disparos a seco, tal significa que a ferramenta precisa de ser limpa profundamente.

Consulte o guia de limpeza anexo para obter informações e efetue a limpeza.

Se tiver dúvidas relativamente à limpeza, entre em contacto com o centro de assistência da Makita local.

ACESSÓRIOS OPCIONAIS

⚠️ PRECAUÇÃO:

- Estes acessórios ou complementos são recomendados para utilização com a sua ferramenta Makita especificada neste manual. A utilização de quaisquer outros acessórios ou complementos pode representar risco de ferimentos a pessoas. Utilize apenas acessórios ou complementos para os respetivos fins previstos.

Se necessitar de assistência para obter mais informações sobre estes acessórios, entre em contacto com o centro de assistência da Makita local.

- Pregos
- Magazine
- Óculos de proteção
- Recipiente de gás
- Kit de limpeza
- Bateria e carregador genuínos da Makita

NOTA:

- Alguns itens da lista podem estar incluídos na embalagem da ferramenta como acessórios padrão. Podem diferir de país para país.

SPECIFIKATIONER

Model	GN420C	
Sømkapacitet	20 søm (2 bånd)	40 søm (4 bånd)
Mål (L x B x H)	315 mm x 108 mm x 390 mm	430 mm x 108 mm x 390 mm
Nettovægt	3,6 kg	3,8 kg
Sømlængde x akseldiameter	Søm L: 15 mm - 40 mm d: 2,6 mm - 3,1 mm	
Mærkespænding	7,2 V jævnstrøm	

- På grund af vores løbende forsknings- og udviklingsprogram kan disse specifikationer blive ændret uden varsel.
- Specifikationer og akku kan variere fra land til land.

Symboler

Følgende viser de symboler, der anvendes til udstyret. Sørg for, at du forstår deres betydning før brugen.

	Læs brugsanvisningen.
	Beholder under tryk, skal holdes væk fra temperaturer over 50 °C (fx solstråling). Opbevar beholderen på et sted med god udluftning.
	Må kun bruges udendørs eller i rum med god udluftning. Indånd ikke gas.
	Må ikke bruges i nærheden af flammer eller sprøjtes på varme overflader. Under brug kan der dannes en brandfarlig/eksplosiv damp-luft-blanding.
	Må ikke beskædiges, punkteres eller brændes, selv efter brug.
	Bær sikkerhedsbriller.
	Bær høreværn.
	Hold fingrene væk fra afbryderen når der ikke idrives fastgørelsesmidler for at undgå utilsigtet affyring.
	Brug kun på et sted med udluftning for at undgå kvalme og tab af bevidsthed. Brug aldrig maskinen i brandbare atmosfærer. Maskinudstødningen kan muligvis antænde letantændelige materialer.
	Brug ikke på stilladser eller stiger.
	Advarsel: varm overflade! Rør ikke omkring dette symbol. Berøring af overfladen kan muligvis forårsage forbrændinger eller personskader.



Kun for EU-lande
Bortskaf ikke elektrisk udstyr eller akkuen sammen med almindeligt husholdningsaffald!
I overensstemmelse med EU-direktiverne vedrørende Affald af elektrisk og elektronisk udstyr samt Batterier og akkumulatører og Batteri- og akkumulatøraftald og deres anvendelse i overensstemmelse med nationale love skal elektrisk udstyr og batterier og batteripakker, der har nået slutningen af deres levetid, indsamles separat og returneres til en miljøvenlig genbrugsstation.

Tilsløbet anvendelse

Maskinen er beregnet til at fastgøre en tynd stålplade til beton.

Støj

Det typiske A-vægtede støjniveau bestemt i overensstemmelse med EN ISO 11148-13:

Lydtrykniveau (L_{pA}): 96 dB (A)

Lydeffektniveau (L_{WA}): 100 dB (A)

Usikkerhed (K): 3 dB (A)

Bær høreværn

Vibration

Den samlede vibrationsværdi bestemt i henhold til EN ISO 11148-13:

Vibrationsemission (a_{h1}): 3,5 m/s²

Usikkerhed (K): 1,5 m/s²

BEMÆRK: Den angivne vibrationsemissionsværdi er blevet målt i overensstemmelse med standardtestmetoden og kan anvendes til at sammenligne en maskinen med en anden.

BEMÆRK: Den angivne vibrationsemissionsværdi kan også anvendes i en præliminær eksponeringsvurdering.

⚠ ADVARSEL: Vibrationsemissionen under den faktiske anvendelse af maskinen kan være forskellig fra den erklærede emissionsværdi, afhængigt af den måde, hvorpå maskinen anvendes.

⚠ ADVARSEL: Sørg for at identificere de sikkerhedsforskrifter til beskyttelse af operatøren, som er baseret på en vurdering af eksponering under de faktiske brugsforhold (med hensyntagen til alle dele i brugs cyklussen, f.eks. de gange, hvor maskinen er slukket, og når den kører i tomgang i tilgift til afbrydertiden).

EF-overensstemmelseserklæring

Kun for lande i Europa

EF-overensstemmelseserklæringen er inkluderet som Bilag A i denne brugsanvisning.

Sikkerhedsadvarsler for gassøvpistol

⚠ ADVARSEL: Læs alle sikkerhedsadvarsler og alle instruktioner. Hvis De ikke følger advarselne og instruktionerne, kan det medføre alvorlig personskade, elektrisk stød og/eller brand.

Gem alle advarsler og instruktioner til fremtidig reference.

Af hensyn til Deres personlige sikkerhed samt for korrekt betjening og vedligeholdelse af maskinen skal De læse denne brugsanvisning, før De bruger maskinen.

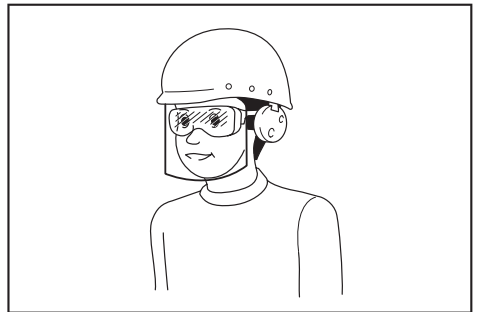
Generel sikkerhed

1. Al anden brug end den tilsigtede brug er forbudt. Maskiner til idrivning af fastgørelsesmidler med kontinuerlig kontaktaktivering eller kontaktaktivering må kun bruges til produktionsformål.
2. Hold fingrene på afstand af udløseren, når maskinen ikke bruges, og når den flyttes fra ét arbejdssted til et andet.
3. Flere risici. Du skal læse og forstå sikkerhedsinstruktionerne, før du tilslutter, frakobler, isætter, betjener, vedligeholder, skifter tilbehør på eller arbejder i nærheden af maskinen. Hvis du ikke overholder dette, kan det resultere i alvorlig legemsbeskadigelse.
4. Hold alle kropsdele som f.eks. hænder og ben osv. væk fra affyringsretningen, og sørg for, at fastgørelsesmidler ikke kan trænge igennem arbejdsemnet og ind i dele af kroppen.
5. Ved brug af maskinen skal du være opmærksom på, at fastgørelsesmidlet kan blive slynget tilbage og forårsage personskade.
6. Hold maskinen med et fast greb, og vær forberedt på at håndtere tilbageslag.
7. Kun teknisk uddannede operatører må bruge maskinen til idrivning af fastgørelsesmidler.
8. Undlad at ændre maskinen til idrivning af fastgørelsesmidler. Ændringer kan reducere sikkerhedsforanstaltningernes effektivitet og øge risikoen for operatøren og/eller omkringstående.
9. Undlad at smide brugsanvisningen væk.
10. Undlad at bruge en maskine, hvis maskinen er beskadiget.

11. Vær forsigtig ved håndtering af fastgørelsesmidler, især i forbindelse med indsætning og fjernelse, da fastgørelsesmidler har skarpe spidser, som kan forårsage personskade.
12. Kontroller altid maskinen før brug for knækkede, forkert tilkoblede eller slidte dele.
13. Stræk dig ikke for langt. Brug kun på et sikkert arbejdssted. Oprethold til enhver tid sikkert fodfæste og balance.
14. Hold omkringstående på afstand (ved arbejde på et sted, hvor det er sandsynligt, at personer vil færdes). Afmærk brugsområdet tydeligt.
15. Ret aldrig maskinen mod dig selv eller andre.
16. Lad ikke fingeren hvile på udløseren, når du tager maskinen op, flytter dig mellem arbejdsområder og positioner eller går, da en finger på udløseren kan medføre utilsigtet funktion. For maskiner med selektiv aktiveringstilstand skal du altid kontrollere maskinen før brugen for at sikre dig, at den korrekte tilstand er valgt.
17. Bær kun handsker, der giver tilstrækkelig følelse og sikker kontrol med udløser og andre justeringsmekanismer.
18. Læg maskinen på en flad overflade, når den ikke bruges. Hvis du bruger den krog, der følger med maskinen, skal du fastgøre maskinen forsvarligt på den stabile overflade.
19. Undlad brug, hvis De er påvirket af alkohol, narkotika eller lignende.

Risici i forbindelse med projektiler

1. Maskinen til idrivning af fastgørelsesmidler skal være taget ud af forbindelse, når du tager fastgørelsesmidler ud, foretager justeringer, fjerner fastklemte emner eller skifter tilbehør.
2. Under brugen skal du sørge omhyggeligt for, at fastgørelsesmidler trænger korrekt ind i materialet, og at de ikke kan slynges tilbage eller affyres utilsigtet mod operatøren og/eller eventuelle omkringstående.
3. Under brugen kan der frigøres rester fra arbejdsemnet og fastgørelses-/sorteringssystemet.
4. Bær altid beskyttelsesbriller for at beskytte dine øjne mod skader, når du bruger maskinen. Beskyttelsesbrillerne skal overholde ANSI Z87.1 i USA, EN 166 i Europa eller AS/NZS 1336 i Australien/New Zealand. I Australien/New Zealand er det desuden påbudt ved lov at bære ansigtsskærm for at beskytte dit ansigt.



Det er arbejdsgiverens ansvar at påbyde brugere af maskinen samt andre personer i det umiddelbare arbejdsområde at bære passende sikkerhedsbeskyttelsesudstyr.

5. Operatøren skal vurdere risikoen for andre.
6. Vær forsigtig med maskiner uden kontakt med arbejdsemnet, da de kan udløses utilsigtet og skade operatøren og/eller omkringstående.
7. Sørg for, at maskinen altid har sikker kontakt med arbejdsemnet, og at den ikke kan glide.
8. Brug høreværn for at beskytte Deres ører mod udstødningsstøj og som hovedværn. Bær også let, men ikke løst tøj. Ærmer skal være knappet eller rullet op. Undlad at bære halstrøklæde.
3. Hvis operatøren oplever symptomer som vedvarende eller gentagen ubehag, smerte, dunken, ømhed, prikken, følelsesløshed, brændende fornemmelse eller stivhed, må disse advarselstegn ikke ignoreres. Operatøren skal konsultere en kvalificeret sundhedsspecialist vedrørende de overordnede aktiviteter.
4. Kontinuerlig brug af maskinen kan forårsage gentagen belastningsskade på grund af det tilbageslag, som maskinen udvikler.
5. For at undgå gentagen belastningsskade må operatøren ikke strække sig for langt eller bruge overdreven magt. Operatøren skal desuden tage et hvil, når han eller hun føler sig træt.

Risici ved brug

1. Hold maskinen korrekt: Vær klar til at imødegå normale eller pludselige bevægelser som f.eks. tilbageslag.
2. Oprethold en velfbalanceret kropstilling og sikkert fodfæste.
3. Der skal benyttes passende sikkerhedsbriller, og passende handsker og beskyttelsestøj anbefales.
4. Der skal bæres passende høreværn.
5. Anvend kun den korrekte energiforsyning som angivet i brugsanvisningen.
6. Anvend ikke maskinen på bevægelige platforme eller bag på lastbiler. Hvis platformen bevæger sig pludseligt, kan det medføre tab af kontrollen med maskinen og forårsage personskade.
7. Gå altid ud fra, at der er fastgøringsmidler i maskinen.
8. Undlad at arbejde for hurtigt eller at bruge magt på maskinen. Håndter maskinen forsigtigt.
9. Sørg for solidt fodfæste, og hold altid balancen med maskinen. Sørg for, at der ikke befinder sig nogen under dig, når du arbejder på højtliggende steder.
10. På tage og andre højtliggende steder skal De drive fastgøringsmidler, efterhånden som De arbejder Dem fremad. Det er let at miste fodfæstet, hvis De driver fastgøringsmidler, mens De kryber baglæns. Ved drivning af fastgøringsmidler mod en lodret flade skal De arbejde fra toppen mod bunden. De bliver mindre træt under udførelsen af driverarbejdet ved at gøre dette.
11. Et fastgøringsmiddel kan bøjes, eller der kan opstå stop i maskinen, hvis De ved en fejltagelse driver et fastgøringsmiddel oven i et andet fastgøringsmiddel eller rammer en knude i træet. Fastgøringsmidlet kan slynges ud og ramme personer, eller selve maskinen kan reagere på farlig vis. Placer fastgøringsmidlerne omhyggeligt.
12. Forsøg aldrig at drive fastgøringsmidler fra både indersiden og ydersiden på samme tid. Fastgøringsmidler kan gå igennem og/eller flyve væk og forårsage alvorlig fare.

Risici i forbindelse med gentagne bevægelser

1. Ved brug af en maskine i længere tidsrum kan operatøren opleve ubehag i hænderne, armene, skuldrene, nakken eller andre dele af kroppen.
2. Ved brug af en maskine skal operatøren indtage en passende, men ergonomisk stilling. Oprethold sikkert fodfæste, og undgå akavede stillinger eller stillinger, hvor du er ude af balance.

4. Kontinuerlig brug af maskinen kan forårsage gentagen belastningsskade på grund af det tilbageslag, som maskinen udvikler.
5. For at undgå gentagen belastningsskade må operatøren ikke strække sig for langt eller bruge overdreven magt. Operatøren skal desuden tage et hvil, når han eller hun føler sig træt.
6. Foretag en risikovurdering vedrørende risici i forbindelse med gentagne bevægelser. Den bør fokusere på muskel- og skeletlidelser og fortrinsvis være baseret på den antagelse, at reduktion af træthed under arbejdet er effektivt for at reducere lidelser.

Risici i forbindelse med tilbehør og forbrugsstoffer

1. Fjern gasbeholderen og akkuen før du skifter/udskifter tilbehør som f.eks. kontakt med arbejdsemnet eller foretager justeringer.
2. Brug kun de størrelser og typer af tilbehør, som producenten leverer.
3. Brug kun de smøremidler, der anbefales i denne brugsvejledning.

Risici i forbindelse med arbejdsstedet

1. Glid, snublen og fald er hyppige årsager til personskader på arbejdspladsen. Vær opmærksom på glatte overflader, der fremkommer ved brugen af maskinen, og også på snublefarer på grund af luftslangen.
2. Vær ekstra forsigtig i uvante omgivelser. Der kan være skjulte farer, for eksempel elledninger eller andre forsyningsledninger.
3. Denne maskine er ikke beregnet til brug i potentielt eksplosive atmosfærer, og den er ikke isoleret, hvis den kommer i kontakt med elektrisk strøm.
4. Sørg for, at der ikke er nogen elledninger, gasrør osv., der kan udgøre en fare, hvis de beskadiges ved brug af maskinen.
5. Hold arbejdsområdet rent og veloplyst. Rodede eller mørke områder forårsager ulykker.
6. Der kan være lokale regler for støj, som skal overholdes ved at holde støjniveauet inden for de foreskrevne grænser. I nogle tilfælde skal der benyttes skodder for at holde støj inde.

Risici i forbindelse med støv og udstødning

1. Kontrollér altid dine omgivelser. Udstødningen fra maskinen kan muligvis blæse støv eller genstande, som kan ramme operatøren og/eller omkringstående.
2. Ret udstødningen, så forstyrrelsen af støv i støvfylde omgivelser minimeres.
3. Hvis støv eller genstande slynges ud i arbejdsområdet, skal du reducere emissionen så meget som muligt for at reducere sundhedsrisici og risiko for personskade.

Risici i forbindelse med støj

1. Ubeskyttet udsættelse for høje støjniveauer kan forårsage permanent, invaliderende tab af hørelsen og andre problemer som f.eks. tinnitus (ringen, summen, fløjten eller brummen i ørerne).
2. Foretag en risikovurdering vedrørende risici i forbindelse med støj i arbejdsområdet, og træf passende forholdsregler vedrørende disse risici.
3. Passende kontroller for at mindske risikoen kan omfatte foranstaltninger som f.eks. dæmpende materialer for at forhindre arbejdssemner i at "ringe".
4. Anvend passende høreværn.
5. Betjen og vedligehold maskinen som anbefalet i disse instruktioner for at forhindre unødigt forøgelse af støjniveauet.
6. Træf forholdsregler for at reducere støj, for eksempel ved at placere arbejdssemner på lyd-dæmpende støtter.

Risici i forbindelse med vibrationer

1. Vibrationsafgivelsen under brug afhænger af gribekraften, kontakttrykkraften, arbejdsretningen, justeringen af energiforsyningen, arbejdssemnet og understøttelsen af arbejdssemnet. Foretag en risikovurdering vedrørende risici i forbindelse med vibration, og træf passende forholdsregler vedrørende disse risici.
2. Udsættelse for vibration kan forårsage invaliderende skader på nerverne og blodforsyningen til hænderne og armene.
3. Bær varmt tøj, når du arbejder i kolde omgivelser, så du holder hænderne varme og tørre.
4. Hvis du oplever følelsesløshed, prikken, smerte, eller at huden på fingrene eller hænderne bliver bleg, skal du søge medicinsk rådgivning fra en kvalificeret professionel sundhedsspecialist vedrørende dine overordnede aktiviteter.
5. Betjen og vedligehold maskinen som anbefalet i disse instruktioner for at forhindre unødigt forøgelse af vibrationsniveauet.
6. Hold maskinen med et let, men sikkert greb, da risikoen for vibration generelt er større, når gribekraften er stærkere.

Yderligere sikkerhedsinstruktioner for gasmaskiner

1. Brug kun maskinen med den originale gasbeholder fra Makita.
2. Vær forsigtig ved brug af gasmaskiner, da maskinen kan blive varm, hvilket påvirker grebet og styringen.
3. Gasmaskiner til idrivning af fastgørelsesmidler skal anvendes på steder med ventilation.
4. Hvis brændbar gas i væskeform kommer i kontakt med menneskers hud, kan der opstå skader.
5. Gasbeholdere skal være mærket i henhold til den gældende transportbestemmelse.
6. Håndter gasbeholdere forsigtigt og se efter for skader. Beskadigede gasbeholdere kan eksplodere og forårsage personskade.

7. Læs og følg instruktionerne som følger med gasbeholderen.
8. Sørg for, at letantændelige materialer ikke udsættes for varme udstødningsgasser.
9. Brug ikke gasmaskiner på eksplosive områder, eftersom gnister genereret i maskinen muligvis kan forårsage brand eller eksplosion.
10. Gasbeholdere må ikke opbevares uforstyrret eller ved høj temperatur. Følg de lokale bestemmelser og gasbeholderens instruktioner angående håndtering og bortskaflere af gasbeholdere og akkuer eller akkumulatore.
11. Gasmaskiner afgiver muligvis en lille smule gas, der genereres ved almindelige anvendelser.

Brug og vedligeholdelse af batteriet

1. Oplad kun med den oplader, som producenten angiver. En oplader, der passer til én type batteri, kan forårsage brand, hvis den anvendes med et andet batteri.
2. Brug kun el-værktøjer sammen med de tilhørende batteripakker. Brug af andre batteripakker kan forårsage personskade og brand.
3. Når batteripakker ikke anvendes, skal de holdes borte fra andre metalgenstande som papirclips, mønter, nøgler, søm, skruer og andre små metalgenstande, der kan skabe forbindelse mellem terminalerne. Hvis batteriets terminaler kortsluttes, kan det forårsage brand.
4. I tilfælde af misbrug kan der sprøjte væske ud fra batteriet. Undgå kontakt. Skyl med vand, hvis De kommer i kontakt med væsken. Søg læge, hvis De får væske i øjet. Væske, der sprøjtes ud fra batteriet, kan medføre irritation eller forbrændinger.
5. Undlad at bruge en akku eller maskine, der er beskadiget eller ændret. Beskadigede eller ændrede batterier kan fungere uforudsigeligt og medføre brand, eksplosion eller risiko for personskade.
6. Undlad at udsætte en akku eller maskine for brand eller høje temperaturer. Udsættelse for brand eller temperaturer på over 130 °C kan medføre eksplosion.
7. Følg alle instruktioner vedrørende opladning, og undlad at oplade akkuen eller maskinen uden for det temperaturinterval, der er angivet i instruktionerne. Opladning, der udføres forkert eller ved temperaturer uden for det angivne temperaturinterval, kan beskadige batteriet og medføre øget risiko for brand.

Sikkerhedsheder

1. Sørg for, at alle sikkerhedssystemer fungerer, før brugen. Maskinen må ikke kunne køre, hvis der kun trykkes på afbryderknappen, eller hvis kun kontakarmen trykkes mod træet. Den må kun fungere, når begge handlinger udføres. Test for eventuel fejlfunktion uden fastgøringsmidler og udstøderen i fuldt trukket position.
2. Det er meget farligt at fastlåse udløseren i TIL-stillingen. Forsøg aldrig at fastlåse udløseren.
3. Forsøg ikke at holde kontaktelelementet trykket ned med tape eller ståltråd. Dette kan medføre dødsfald eller alvorlig personskade.

4. **Kontrollér altid kontaktelelementet som beskrevet i denne brugsanvisning.** Fastgøringsmidler kan blive drevet ved et uheld, hvis sikkerhedsmekanismen ikke fungerer korrekt.

Service

1. **Udfør rengøring og vedligeholdelse umiddelbart efter, at De afslutter arbejdet.** Hold maskinen i bedste stand. Smør bevægelige dele for at undgå rust og minimere friktionsrelateret slid. Tør alt støv af delene.
2. **Bed et Makita autoriseret servicecenter om periodisk inspektion af maskinen.**
3. **For at opretholde produktets SIKKERHED og PÅLIDELIGHED skal vedligeholdelse og reparation udføres af Makita autoriserede servicecentre, og der skal altid benyttes Makita reservedele.**
4. **Følg de lokale regulativer ved bortskaffelse af maskinen.**

GEM DISSE FORSKRIFTER.

⚠ ADVARSEL: LAD IKKE bekvemmelighed eller kendskab til produktet (opnået gennem gentagen brug) forhindre, at sikkerhedsforskrifterne for produktet nøje overholdes. MISBRUG eller forsømmelse af at følge de i denne brugsvejledning givne sikkerhedsforskrifter kan medføre alvorlig personskade.

Vigtige sikkerhedsinstruktioner for akkuen

1. **Læs alle instruktioner og advarselmærkater på (1) akku-opladeren, (2) akkuen og (3) produktet, som anvender akku.**
2. **Lad være med at skille akkuen ad.**
3. **Hold straks op med anvendelsen, hvis brugstiden er blevet stærkt afkortet.** Fortsat anvendelse kan resultere i risiko for overophedning, forbrændinger og endog eksplosion.
4. **Hvis De har fået elektrolytvæske i øjnene, skal De straks skylle den ud med rent vand og derefter øjeblikkeligt søge lægehjælp.** I modsat fald kan De miste synet.
5. **Vær påpasselig med ikke at komme til at kortslutte akkuen:**
 - (1) **Rør ikke ved terminalerne med noget ledende materiale.**
 - (2) **Undgå at opbevare akkuen i en beholder sammen med andre genstande af metal, for eksempel søm, mønter og lignende.**
 - (3) **Udsæt ikke akkuen for vand eller regn.** Kortslutning af akkuen kan forårsage en kraftig øgning af strømmen, overophedning, mulige forbrændinger og endog værktøjstop.
6. **Opbevar ikke værktøjet og akkuen på et sted, hvor temperaturen kan nå eller overstige 50 °C.**
7. **Lad være med at brænde akkuen, selv ikke i tilfælde, hvor den har lidt alvorlig skade eller er fuldstændig udtjent.** Akkuen kan eksplodere, hvis man forsøger at brænde den.
8. **Lad være med at brænde akkuen eller udsætte den for stød.**

9. **Anvend ikke en beskadiget akku.**
10. **De indbyggede litium-ion-batterier er underlagt lovkrav vedrørende farligt gods.**

Ved kommerciel transport, f.eks. af tredjeparts transportselskaber, skal særlige krav til forpakning og mærkning overholdes.

Ved forberedelse af udstyret til forsendelse skal du kontakte en ekspert i farligt gods. Overhold også eventuel mere detaljeret national lovgivning.

Tape eller tildæk åbne kontakter, og pak batteriet på en måde, så det ikke kan flytte sig rundt i pakningen.
11. **Når akkuen bortskaffes, skal du fjerne den fra maskinen og bortskaffe den på et sikkert sted.** Følg de lokale love vedrørende bortskaffelsen af batterier.
12. **Brug kun batterierne med de produkter, som Makita specificerer.** Hvis batterierne installeres i ikke-kompatible produkter, kan det medføre brand, kraftig varme, eksplosion eller udsivning af elektrolyt.
13. **Hvis maskinen ikke skal bruges i længere tid ad gangen, skal du fjerne batteriet fra maskinen.**

GEM DENNE BRUGSANVISNING.

⚠ FORSIGTIG: Brug kun originale batterier fra Makita. Brug af uoriginale Makita-batterier, eller batterier som er blevet ændret, kan muligvis medføre brud på batteriet, hvilket kan forårsage brand, personskade eller beskadigelse. Det ugyldiggør også Makita-garantien for Makita-maskinen og opladeren.

Tips til opnåelse af maksimal akku-levetid

1. **Oplad akkuen, inden den er helt afladet.** Stop altid værktøjet, og oplad akkuen, hvis De bemærker, at værktøjeffekten er aftagende.
2. **Genoplad aldrig en fuldt opladet akku.** Overopladning vil afkorte akkuens levetid.
3. **Oplad akkuen ved stuetemperatur ved 10 °C - 40 °C.** Lad altid en varm akku få tid til at køle af, inden den oplades.

Overblik over sømpistolen

- Fig. 1: 1. Brændstoffdæksel 2. Afbryder 3. Magasin 4. Trykhåndtag 5. Trykknop 6. Kontaktelemt 7. Udstødningsåbning 8. Lampe 9. Indikationslampe 10. Akku

FUNKTIONSBESKRIVELSE

⚠️ FORSIGTIG:

- Sørg altid for at fjerne gasbeholderen, akkuen og sømmene, før der udføres justering eller kontrol af funktioner på maskinen.

Isætning eller fjernelse af akkuen

⚠️ FORSIGTIG:

- Sluk altid for maskinen, før du monterer eller fjerner akkuen.
- **Hold maskinen og akkuen fast ved montering eller fjernelse af akkuen.** Hvis du ikke holder maskinen og akkuen fast, kan de glide ud af hænderne på dig og forårsage beskadigelse af maskinen og akkuen eller personskade.

► Fig.2: 1. Akku

For at installere akkuen skal du holde den så den forreste del af akkuen passer ind med den for batteriinstallationsåbningen og skubbe den ind på plads. Sæt den hele vejen ind, så den låses på plads med et lille klik.

► Fig.3: 1. Akku 2. Knap

For at fjerne akkuen skal du trække den ud af maskinen, mens du trykker på begge sider af akkuen.

⚠️ FORSIGTIG:

- Sæt altid akkuen helt ind, indtil den låses på plads. Hvis ikke, kan den utilsigtet falde ud af maskinen og forårsage skade på dig eller nogen andre omkring dig.
- Brug ikke magt ved montering af akkuen. Hvis akkuen ikke glider på plads uden problemer, betyder det, at den ikke sættes i på korrekt vis.

Tænding af lampen

⚠️ FORSIGTIG:

- Kig ikke ind i lyset, og se ikke direkte ind i lyskilden.

► Fig.4: 1. Lampeknap

For at tænde for lampen skal du trykke på lampeknappen. For at slukke for lampen skal du trykke på lampeknappen igen.

Gasbeholder

Montering af måleventilen på gasbeholderen

► Fig.5: 1. Måleventil 2. Hætte

Afmonter hættten (hvis måleventilen leveres med hættten).

► Fig.6

Tryk den forreste kant ind.

► Fig.7

Tryk den bagerste kant ind indtil den sidder på plads.

Indsætning af gasbeholderen

► Fig.8

Tryk op og træk i brændstofdækslet for at åbne.

► Fig.9: 1. Stråledyse

Sæt gasbeholderen direkte ind i stråledysen på måleventilen mod adapteren.

► Fig.10

Sæt stråledysen ordentligt ind i det lille hul i adapteren.

► Fig.11

Put brændstofdækslet over måleventilen og skub det ned til lemmen.

Justering af sømidrivningsdybden

⚠️ FORSIGTIG:

- Fjern gasbeholderen, akkuen og sømmene, før der udføres justering af dybden for idrivning af søm.

► Fig.12: 1. Justeringsmekanisme

For at få en mindre dybde skal du dreje justeringsmekanismen i højre retning som vist på figuren. For at få en dybere dybde skal du dreje justeringsmekanismen i venstre retning.

Drej ikke justeringsmekanismen for meget ellers kan justeringsmekanismen sætte sig fast.

Indikationslampe

Farven på indikationslampen betyder følgende.

Blinker grøn: Normal status

Blinker rød: Du behøver at genoplade akkuen

Lyser rød: Genoplad akkuen. Idrivning af søm kan ikke udføres, da der ikke er nogen resterende batterikapacitet.

Blinker orange: Omhyggelig rengøring anbefales. Se i afsnittet "VEDLIGEHOLDELSE" angående omhyggelig rengøring indvendig i maskinen. For at nulstille den orangeblinkende indikatorlampe skal du trykke på kontaktelelementet i fem sekunder og derefter trykke på kontaktelelementet fem gange.

Blinker orange efter at have blinket grøn og rød skiftevis: Fejlregistrering kører. Fjern og genindsæt akkuen for at nulstille. Hvis fejlregistrering kører igen, er det en funktionsfejltilstand. Bed dit lokale Makita-servicecenter om at reparere den.

Krog

⚠️ FORSIGTIG: Fjern altid batteriet når du ophænger maskinen. Hæng ikke maskinen på dit bælte.

► Fig.13: 1. Krog

Krogen er praktisk til midlertidig ophængning af maskinen.

Krogen kan indstilles i to positioner i overensstemmelse med, hvor maskinen vil blive ophængt.

Hvis du vil ændre krogens position, skal du trykke dens fødder ind fra begge sider og skifte til en anden position.

SAMLING

⚠️FORSIGTIG:

- Tag altid gasbeholderen og akkuen ud før der udføres noget arbejde på maskinen.

Isætning af søm i sømpistolen

► Fig.14: 1. Knap

Sæt et sømbånd ind i rillen bag på magasinet. Sømmene stopper ved indgangen af magasinet pga. sømstopperen. Lås magasinet op ved at trykke på knappen på sømstopperen for at indsætte sømmene.

► Fig.15: 1. Trykhåndtag

Træk i trykhåndtaget mens du trykker trykknappen helt tilbage i magasinet. Slip derefter trykknappen, og sæt forsigtigt trykhåndtaget tilbage mod enden af båndet.

Fjernelse af søm

► Fig.16: 1. Trykhåndtag 2. Sømstopper

Træk i trykhåndtaget og tryk på trykknappen for at frigøre sømstøtteren, og returner derefter trykhåndtaget tilbage til toppen med tryk på trykknappen.

Skub sømmene mod bagenden af magasinet. Sømmene stopper ved indgangen af magasinet pga. sømstopperen. Lås magasinet op ved at trykke på knappen på sømstopperen for at fjerne sømmene.

Ændring af magasinet (ekstraudstyr)

► Fig.17: 1. Bolt

Der er et magasin med en anden længde til rådighed som ekstraudstyr. For at udskifte magasinet skal du løsne boltene og fjerne magasinet. Installer derefter det nye magasin. Stram derefter boltene på magasinet.

ANVENDELSE

⚠️ADVARSEL:

- **Berør ikke området omkring udstødningsåbningen.** Overfladen vil være meget varm under og efter brug. Berøring af området omkring udstødningsåbningen kan muligvis forårsage forbrændinger eller personskader.

⚠️FORSIGTIG:

- Sørg for, at alle sikkerhedssystemer fungerer før brugen.

Kontrol af korrekt funktion inden anvendelse

Kontroller altid følgende punkter inden anvendelse.

- Sørg for, at maskinen ikke aktiveres blot ved installering af akkuen og gasbeholderen.
- Sørg for, at maskinen ikke aktiveres blot ved at trykke på afbryderen.

- Sørg for, at maskinen ikke aktiveres blot ved at sætte kontaktelelementet mod arbejdsemnet, uden at der trykkes på afbryderen.
- Sikr dig, at maskinen ikke fungerer, når der først trykkes på afbryderen, hvorefter kontaktelelementet placeres mod arbejdsemnet.

Idrivning af søm

► Fig.18

1. Placer kontaktelelementet mod arbejdsemnet for at idrive et søm. Ventilatormotoren aktiveres, brændstoftogassen sprøjtes ind i forbrændingskammeret og blandes med luft af ventilatoren.

► Fig.19: 1. Afbryder

2. Hold kontaktelelementet presset ordentligt ind og tryk på afbryderen. Brændstoftogassen forbrændes, og sømmet idrives.
3. Yderligere idrivning kan kun udføres, efter både kontaktelelementet og afbryderen er sluppet.

Sømidrivning i beton

⚠️ADVARSEL:

- Benyt kun hærdede søm til beton. Brug af søm til andre formål kan medføre alvorlige personskader. Idriv ikke søm direkte på betonen. Hvis du ikke overholder dette, kan det medføre, at betonfragmenter slynges af, eller at søm slår tilbage med alvorlige personskader til følge.
- Når der idrives søm, skal maskinen holdes således, at den står opret i forhold til idrivningsfladen. Skæv idrivning af søm kan medføre, at betonfragmenter slynges af, eller at søm slår tilbage med alvorlige personskader til følge.
- Brug ikke maskinen på den overflade, hvorfra der hænger genstande, som fx et område hvor der er opsat ophæng til kloakrør, støvrør osv.

⚠️FORSIGTIG:

- Benyt kun denne maskine til blød beton, der er forholdsvis ny. Anvendelse i hård beton kan bevirke, at sømmene bøjer, eller at sømidrivningen ikke bliver tilstrækkelig dyb.
- Når den krævede gennemtrængningsmængde ind i beton er mere end 20 mm, kan idrivning af søm til den tilstrækkelige længde muligvis ikke opnås. Søm idrives muligvis for lidt, hvilket forårsager et ustabilt arbejdsemne med personskade og materiel skade til følge.
- Når der idrives søm direkte i hårde overflader som fx stål og beton, skal kontaktelelementet trykkes fast mod arbejdsemnet for at forhindre, at det glider.

Vælg og brug passende søm, så gennemtrængningsmængden i beton er mellem 15 mm - 20 mm.

► Fig.20: 1. Tynd stålplade

2. Gennemtrængningsmængde i beton

Mekanisme til at forhindre affyring, når maskinen er tom

Denne mekanisme forhindrer maskinen i at affyre uden søm.

Mekanismen til forhindring af affyring, når maskinen er tom, aktiveres automatisk, når der kun er 2-3 søm tilbage.

Søm fastklemt i sømpistolen

ADVARSEL:

- Sørg altid for at fjerne gasbeholderen og akkuen, før en fastklemning afhjælpes.

FORSIGTIG:

- Anvend ikke søm eller sømbånd, som er deformet. Undladelse af dette medfører dårlig sømfremføring.

Følg proceduren for fjernelse af søm og fjern de fastklemt søm.

► **Fig.21:** 1. Magasin

Fjern gasbeholderen, akkuen og sømmene.

Løsn boltene på magasinet. Fjern magasinet og fjern de fastklemt søm.

► **Fig.22**

Hvis sømmene ikke kan fjernes efter udførelse af metoden ovenfor, skal du gøre som følger.

Sæt en lille pind eller lignende ind i udstødningsporten, og bank let på den med en hammer for at skubbe de fastklemt søm ud fra udstødningsporten.

► **Fig.23:** 1. Underdrevstyr 2. Bolt

► **Fig.24**

Hvis sømmene forbliver i udstødningsporten, skal du gøre som følger.

Løsn boltene på udstødningsporten ved hjælp af en unbrakonøgle. Fjern underdrevstyret. Fjern derefter de fastklemt søm.

Returner underdrevstyret og stram boltene, efter de fastklemt søm er fjernet.

Returner magasinet og stram boltene.

VEDLIGEHOLDELSE

FORSIGTIG:

- Fjern altid gasbeholderen, akkuen og sømmene, før du forsøger at udføre eftersyn eller vedligeholdelse.
- Anvend aldrig benzin, rensebenzin, fortynder, sprit og lignende. Det kan medføre misfarvning, deformation eller revner.

Vedligeholdelse efter dagligt arbejde

Kontroller altid maskinens overordnede tilstand, og se efter løse skruer før brugen. Stram til efter behov.

Efter afslutning på dagens arbejde skal du udføre en slut-på-arbejdsdagen-rutine.

Disse simple trin er baseret på vedligeholdelse af sikkerheden og ydelsen af maskinen.

Inden arbejdsstedet efterlades:

- Tag akkuen ud og opbevar den i en værktøjskuffert. Brug altid værktøjskufferten til transport og opbevaring af maskinen.
- Bortskaf alle tomme beholdere hvor de ikke vil blive fundet af børn, knust, punkteret eller brændt.

Når du kommer hjem:

- Placer akkuen i dens oplader, hvis den behøver opladning, som indikeret af den røde indikationslampe.
- Tør maskinen af med en ren, blød klud.
- Kontroller filteret og rengør det, hvis det er støvet.

Rengøring af luftfilteret

► **Fig.25:** 1. Filterdæksel

► **Fig.26:** 1. Filterdæksel 2. Filter

Tryk filterdækslet en smule op og fjern det. Løft derefter blot filteret ud.

Bank let på filteret for at fjerne eventuelt støv. Sæbe og vand genopretter filteret til en næsten ny tilstand.

For at opretholde produktets SIKKERHED og PÅLIDELIGHED må reparation, vedligeholdelse eller justering kun udføres af et autoriseret Makita-servicecenter med anvendelse af Makita-reservedele.

Grundig rengøring

Hvis der ofte forekommer affyring, når maskinen er tom, betyder det, at maskinen behøver at blive grundig rengjort.

Se den medfølgende rengøringsvejledning angående detaljer og udfør rengøringen.

Hvis du har nogen spørgsmål angående rengøring, bedes du kontakte dit lokale Makita-servicecenter.

EKSTRAUDSTYR

FORSIGTIG:

- Dette tilbehør og ekstraudstyr er anbefalet til brug med din Makita-maskine, der er beskrevet i denne brugsanvisning. Anvendelse af andet tilbehør eller ekstraudstyr kan udgøre en risiko for personskade. Anvend kun tilbehør og ekstraudstyr til det beskrevne formål.

Hvis du behøver hjælp til at få yderligere informationer om dette tilbehør, bedes du kontakte dit lokale Makita-servicecenter.

- Søm
- Magasin
- Sikkerhedsbriller
- Gasbeholder
- Rengøringsæt
- Original Makita-akku og oplader

BEMÆRK:

- Nogle elementer på listen er muligvis inkluderet i pakken med maskinen som standardtilbehør. De kan variere fra land til land.












ΠΡΟΔΙΑΓΡΑΦΕΣ

Μοντέλο	GN420C	
Χωρητικότητα καρφιών	20 καρφιά (2 σειρές)	40 καρφιά (4 σειρές)
Διαστάσεις (Μ x Π x Υ)	315 mm x 108 mm x 390 mm	430 mm x 108 mm x 390 mm
Καθαρό βάρος	3,6 kg	3,8 kg
Μήκος καρφιού x Διάμετρος στελέχους	Καρφι Μ: 15 mm - 40 mm δ: 2,6 mm - 3,1 mm	
Ονομαστική τάση	D.C. 7,2 V	

- Λόγω του συνεχιζόμενου προγράμματος έρευνας και ανάπτυξης, οι προδιαγραφές αυτές υπόκεινται σε αλλαγές χωρίς προειδοποίηση.
- Οι προδιαγραφές και η κασέτα μπαταριών μπορεί να διαφέρουν ανάλογα με τη χώρα.

Σύμβολα

Παρακάτω παρουσιάζονται τα σύμβολα που χρησιμοποιούνται για τον εξοπλισμό. Βεβαιωθείτε ότι κατανοείτε τη σημασία τους πριν από τη χρήση.

	Διαβάστε το εγχειρίδιο οδηγιών.
	Δοχείο υπό πίεση, κρατήστε μακριά από θερμοκρασίες άνω των 50°C (για παράδειγμα, ηλιακή ακτινοβολία). Διατηρήστε το δοχείο σε καλά αεριζόμενο χώρο.
	Να χρησιμοποιείτε μόνο σε εξωτερικό χώρο ή σε καλά αεριζόμενα δωμάτια. Μην αναπνέετε το αέριο.
	Μην χρησιμοποιείτε κοντά σε φλόγες και μην ψεκάζετε σε θερμαινόμενες επιφάνειες. Κατά τη χρήση, μπορεί να σχηματιστεί εύφλεκτο/εκρηκτικό μείγμα ατμού-αέρα.
	Μην προκαλέσετε ζημιά, μην διατρυπήσετε και μην κάψετε ακόμη και μετά τη χρήση.
	Φοράτε γυαλιά ασφαλείας.
	Φοράτε υποασπίδες.
	Κρατήστε τα δάχτυλά σας μακριά από τη σκανδάλη όταν καρφώνετε συνδέτηρες για να αποφύγετε την τυχαία εκτρομοκρότηση.
	Να χρησιμοποιείτε μόνο σε αεριζόμενη περιοχή για να αποφευχθεί η ναυτία και η απώλεια συνείδησης. Μην χρησιμοποιείτε ποτέ το εργαλείο σε εύφλεκτες ατμόσφαιρες. Τα αερία του εργαλείου μπορεί να προκαλέσουν την ανάφλεξη εύφλεκτων υλικών.
	Απαγορεύεται η χρήση σε σκαλωσιές, σκάλες.
	Προειδοποίηση: ζεστή επιφάνεια! Μην αγγίζετε κοντά σε αυτό το σύμβολο. Αν αγγίξετε την επιφάνεια, μπορεί να προκληθούν εγκαύματα ή τραυματισμοί.



Μόνο για χώρες της ΕΕ
Μην απορρίπτετε ηλεκτρικό εξοπλισμό ή την μπαταρία μαζί με τα οικιακά απορρίμματα!
Σύμφωνα με τις Ευρωπαϊκές Οδηγίες για τον απόβλητο ηλεκτρικό και ηλεκτρονικό εξοπλισμό και τις μπαταρίες και συσσωρευτές και τις απόβλητες μπαταρίες και συσσωρευτές και την ενσωμάτωσή τους σύμφωνα με την εθνική νομοθεσία, ο ηλεκτρικός εξοπλισμός και η μπαταρία και τα πακέτα μπαταριών που έχουν φτάσει το τέλος ζωής τους πρέπει να συλλέγονται ή ξεχωριστά και να επιστρέφονται σε εγκαταστάσεις περιβαλλοντικά συμβατής ανακύκλωσης.

Προοριζόμενη χρήση

Το εργαλείο προορίζεται για τη στερέωση λεπτής ασά-λινης πλάκας σε σκυρόδεμα.

Θόρυβος

Το σύνθετος σταθμισμένο επίπεδο θορύβου που έχει καθοριστεί σύμφωνα με το πρότυπο EN ISO 11448-13:
Στάθμη ηχητικής πίεσης (L_{pA}): 96 dB (A)
Στάθμη ηχητικής ισχύος (L_{WA}): 100 dB (A)
Αβεβαιότητα (K): 3 dB (A)

Φοράτε υποασπίδες

Κραδασμός

Συνολική τιμή κραδασμών που έχει καθοριστεί σύμφωνα με το πρότυπο EN ISO 11448-13:
Εκπομπή δόνησης (a_h): 3,5 m/s²
Αβεβαιότητα (K): 1,5 m/s²

ΠΑΡΑΤΗΡΗΣΗ: Η δηλωμένη τιμή εκπομπής κραδασμών έχει μετρηθεί σύμφωνα με την πρότυπη μέθοδο δοκιμής και μπορεί να χρησιμοποιηθεί για τη σύγκριση ενός εργαλείου με άλλο.

ΠΑΡΑΤΗΡΗΣΗ: Η δηλωμένη τιμή εκπομπής κραδασμών μπορεί να χρησιμοποιηθεί και στην προκαταρκτική αξιολόγηση έκθεσης.

⚠️ ΠΡΟΕΙΔΟΠΟΙΗΣΗ: Η εκπομπή κραδασμών κατά τη χρήση του ηλεκτρικού εργαλείου σε πραγματικές συνθήκες μπορεί να διαφέρει από τη δηλωμένη τιμή εκπομπής ανάλογα με τον τρόπο χρήσης του εργαλείου.

⚠️ ΠΡΟΕΙΔΟΠΟΙΗΣΗ: Φροντίστε να λάβετε τα κατάλληλα μέτρα προστασίας του χειριστή βάσει ενός υπολογισμού της έκθεσης σε πραγματικές συνθήκες χρήσης (λαμβάνοντας υπόψη όλες τις συνιστώσες του κύκλου λειτουργίας όπως τους χρόνους που το εργαλείο είναι εκτός λειτουργίας και όταν βρίσκεται σε αδρανή λειτουργία πέραν του χρόνου ενεργοποίησης).

Δήλωση συμμόρφωσης ΕΚ

Μόνο για χώρες της Ευρώπης

Η δήλωση συμμόρφωσης ΕΚ περιλαμβάνεται ως Παράρτημα Α στο παρόν εγχειρίδιο οδηγιών.

Προειδοποιήσεις ασφαλείας για το καρφωτικό αερίο

⚠️ ΠΡΟΕΙΔΟΠΟΙΗΣΗ: Διαβάστε όλες τις προειδοποιήσεις ασφαλείας και όλες τις οδηγίες. Η μη τήρηση των προειδοποιήσεων και των οδηγιών μπορεί να οδηγήσει σε σοβαρό τραυματισμό, ηλεκτροπληξία και/ή πυρκαγιά.

Φυλάξτε όλες τις προειδοποιήσεις και τις οδηγίες για μελλοντική παραπομπή.

Για την προσωπική σας ασφάλεια και για τη σωστή λειτουργία και συντήρηση του εργαλείου, διαβάστε το παρόν εγχειρίδιο οδηγιών προτού χρησιμοποιήσετε το εργαλείο.

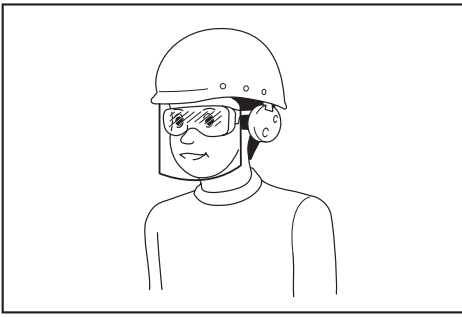
Γενική ασφάλεια

1. Απαγορεύεται οποιαδήποτε άλλη χρήση αυτού του εργαλείου εκτός από την προοριζόμενη. Τα εργαλεία καρφώματος συνδετήρων με συνεχόμενη ενεργοποίηση επαφής ή ενεργοποίηση επαφής θα πρέπει να χρησιμοποιούνται μόνο για εφαρμογές παραγωγής.
2. Κρατήστε τα δάκτυλά σας μακριά από τη σκανδάλη όταν δεν θέτετε αυτό το εργαλείο σε λειτουργία και όταν το μετακινείτε από τη μία θέση λειτουργίας σε άλλη.
3. Πολλαπλοί κίνδυνοι. Διαβάστε και κατανοήστε τις οδηγίες ασφαλείας πριν συνδέσετε, αποσυνδέσετε, φορτώσετε, θέσετε σε λειτουργία, συντηρήσετε, αλλάξετε εξαρτήματα ή εργάζεστε κοντά στο εργαλείο. Αν δεν το κάνετε αυτό, μπορεί να έχει ως αποτέλεσμα σοβαρό σωματικό τραυματισμό.
4. Κρατήστε όλα τα μέρη του σώματός σας, όπως χέρια και πόδια, κτλ. μακριά από την κατεύθυνση πυροδότησης και φροντίστε ο συνδετήρας να μην μπορεί να διεισδύσει το τεμάχιο εργασίας σε μέρη του σώματος.
5. Όταν χρησιμοποιείτε το εργαλείο, να γνωρίζετε ότι ο συνδετήρας μπορεί να εκτραπεί και να προκαλέσει τραυματισμό.
6. Κρατήστε το εργαλείο πολύ καλά και προετοιμαστείτε να διαχειριστείτε την ανατύλιξη.
7. Μόνο τεχνικά ειδικευμένοι χειριστές θα πρέπει να χρησιμοποιούν το εργαλείο καρφώματος συνδετήρων.
8. Μην τροποποιείτε το εργαλείο καρφώματος συνδετήρα. Οι τροποποιήσεις μπορεί να μειώσουν την αποτελεσματικότητα των μέτρων ασφαλείας και να αυξήσουν τους κινδύνους για τον χειριστή ή/και τους παρευρισκόμενους.

9. Μην απορρίψετε το εγχειρίδιο οδηγιών.
10. Μην χρησιμοποιήσετε ένα εργαλείο αν το εργαλείο παρουσιάζει ζημιά.
11. Προσέχετε όταν χειρίζεστε συνδετήρες, ιδιαίτερα όταν τους φορτώνετε και εκφορτώνετε, επειδή οι συνδετήρες έχουν αιχμηρές μύτες που μπορούν να προκαλέσουν τραυματισμό.
12. Πριν από τη χρήση, να ελέγχετε πάντα το εργαλείο για σπασμένα, λανθασμένα συνδεδεμένα ή φαρμαμένα εξαρτήματα.
13. Μην τεντώνετε υπερβολικά. Χρησιμοποιήστε μόνο σε ασφαλή χώρο εργασίας. Κρατάτε πάντα σταθερό πάτημα και την ισορροπία σας.
14. Κρατάτε τους παρευρισκόμενους μακριά (όταν εργάζεστε σε μια περιοχή όπου υπάρχει η πιθανότητα να περουν άνθρωποι από εκεί). Επισημάνετε με σαφήνεια ότι απαγορεύεται η είσοδος στην περιοχή εργασίας σας.
15. Μη στρέψετε ποτέ το εργαλείο προς το μέρος σας ή προς οποιοδήποτε άλλο άτομο.
16. Μην ακουμπάτε το δάκτυλό σας στη σκανδάλη όταν σηκώνετε το εργαλείο, το μετακινείτε μεταξύ περιοχών ή θέσεων λειτουργίας ή όταν περπατάτε, επειδή ένα δάκτυλο που ακουμπάει στη σκανδάλη μπορεί να οδηγήσει σε αθέλητη λειτουργία. Για εργαλεία με επιλεκτική ενεργοποίηση, να ελέγχετε πάντα το εργαλείο πριν από τη χρήση, για να σιγουρευτείτε ότι επιλέχθηκε ο σωστός τρόπος λειτουργίας.
17. Να φοράτε μόνο γάντια που παρέχουν επαρκή αίσθηση, ασφάλεια και έλεγχο της σκανδάλης και οποιωνδήποτε ρυθμιστικών διατάξεων.
18. Όταν δεν χρησιμοποιείτε το εργαλείο, τοποθετήστε το σε μια επίπεδη επιφάνεια. Αν χρησιμοποιήσετε το γάντιο που υπάρχει στο εργαλείο, να γαντζώσετε το εργαλείο με ασφάλεια σε μια σταθερή επιφάνεια.
19. Μην το χρησιμοποιείτε όταν βρίσκεστε υπό την επίρρινα αλκοόλ, φαρμάκων ή παρόμοιων ουσιών.

Κίνδυνοι εκτόξευσης

1. Το εργαλείο καρφώματος συνδετήρων θα πρέπει να είναι αποσυνδεδεμένο κατά την εκφόρτωση συνδετήρων, την πραγματοποίηση ρυθμίσεων, την εκκαθάριση εμπλοκών ή την αλλαγή εξαρτημάτων.
2. Κατά τη διάρκεια της λειτουργίας, να προσέχετε ώστε οι συνδετήρες να διεισδύουν το υλικό σωστά και να μην μπορούν να εκτραπούν/πυροδοτηθούν λανθασμένα προς το χειριστή ή/και τους παρευρισκόμενους.
3. Κατά τη διάρκεια της λειτουργίας, μπορεί να εκκενωθούν θραύσματα από το τεμάχιο εργασίας και το σύστημα καρφώματος/συρραφής.
4. Να φοράτε πάντα προστατευτικά γυαλιά για να προστατεύετε τα μάτια σας από τραυματισμό όταν χρησιμοποιείτε ηλεκτρικά εργαλεία. Τα προστατευτικά γυαλιά πρέπει να συμμορφώνονται με το πρότυπο ANSI Z87.1 στις ΗΠΑ, το πρότυπο EN 166 στην Ευρώπη ή το πρότυπο AS/NZS 1336 στην Αυστραλία/Νέα Ζηλανδία. Στην Αυστραλία/Νέα Ζηλανδία, απαιτείται από το νόμο να φοράτε και προσωπίδα για την προστασία του προσώπου σας.



Ο εργοδότης έχει την ευθύνη να επιβάλλει τη χρήση κατάλληλου προστατευτικού εξοπλισμού ασφαλείας από τους χειριστές του εργαλείου και από άλλα άτομα που βρίσκονται στην άμεση περιοχή εργασίας.

5. Ο χειριστής θα πρέπει να αξιολογήσει τους κινδύνους για άλλους.
6. Προσέχετε με εργαλεία που δεν έχουν επαφή με το τεμάχιο εργασίας επειδή μπορεί να πυροδοτηθούν κατά λάθος και να τραυματίσουν τον χειριστή ή/και τους παρευρισκόμενους.
7. Βεβαιωθείτε ότι το εργαλείο είναι πάντα δεσμευμένο με ασφάλεια στο τεμάχιο εργασίας και δεν μπορεί να γλιστρήσει.
8. Φοράτε προστατευτικά ακοής για να προστατεύετε τα αυτιά σας από το θόρυβο του αέρα εξαγωγής, καθώς και προστατευτικό κεφαλής. Φοράτε επίσης ελαφριά, αλλά όχι φαρδιά ρούχα. Τα μανίκια θα πρέπει να είναι κουμπωμένα ή γυρισμένα προς τα πάνω. Μην φοράτε γραβάτα.

Κίνδυνοι λειτουργίας

1. Κρατήστε το εργαλείο σωστά: ετοιμαστείτε να αντιδράσετε στις φυσιολογικές ή αιφνίδιες κινήσεις όπως η ανατύλιξη.
2. Διατηρήστε μια ισορροπημένη θέση σώματος και ασφαλές πάτημα.
3. Θα πρέπει να χρησιμοποιείτε κατάλληλα γυαλιά ασφαλείας και συνιστώνται κατάλληλα γάντια και προστατευτικός ρουχισμός.
4. Θα πρέπει να φοράτε κατάλληλη προστασία της ακοής.
5. Να χρησιμοποιείτε τη σωστή ενεργειακή παροχή, όπως υποδεικνύεται στο εγχειρίδιο οδηγιών.
6. Μη χρησιμοποιήσετε το εργαλείο σε κινούμενες πλατφόρμες ή το πίσω μέρος φορητών. Με την αιφνίδια κίνηση της πλατφόρμας, μπορεί να χαθεί ο έλεγχος του εργαλείου και να προκληθεί τραυματισμός.
7. Να θεωρείτε πάντοτε ότι το εργαλείο περιέχει συνδετήρες.
8. Μην εκτελείτε βιαστικά την εργασία και μην πιέζετε υπερβολικά το εργαλείο. Χειρίζεστε το εργαλείο προσεκτικά.
9. Προσέχετε το στήριγμα των ποδιών σας και διατηρείτε την ισορροπία σας με το εργαλείο. Βεβαιωθείτε ότι δεν υπάρχει κανείς από κάτω όταν εργάζεστε σε υψηλές τοποθεσίες.
10. Σε στέγες και άλλες τοποθεσίες σε ύψος, βιδώνετε τους συνδετήρες καθώς μετακινείτε προς τα εμπρός. Είναι εύκολο να παραπατήσετε αν βιδώνετε τους συνδετήρες κάνοντας μικρά βήματα προς τα πίσω. Κατά το βίδωμα συνδετήρων σε κατακόρυφη επιφάνεια, εργάζεστε από πάνω προς τα κάτω. Με αυτόν τον τρόπο, το βίδωμα γίνεται λιγότερο κουραστικό.

11. Αν βιδώσετε κατά λάθος έναν συνδετήρα πάνω σε έναν άλλο ή αν χτυπήσετε κάποιο ρόζο στο ξύλο, ο συνδετήρας μπορεί να στραβώσει ή το εργαλείο να πάθει εμπλοκή. Ο συνδετήρας μπορεί να τιναχτεί και να χτυπήσει κάποιον ή το ίδιο το εργαλείο να αντιδράσει επικίνδυνα. Τοποθετείτε τους συνδετήρες με προσοχή.
12. Μην επιχειρείτε ποτέ να βιδώσετε συνδετήρες από μέσα και από έξω ταυτόχρονα. Οι συνδετήρες μπορεί να σχίσουν το εσωτερικό και/ή να πεταχτούν προς τα έξω και να διατρέξουν σοβαρό κίνδυνο.

Κίνδυνοι επανειλημμένων κινήσεων

1. Κατά τη χρήση ενός εργαλείου για μεγάλη χρονική περίοδο, ένας χειριστής μπορεί να βιώσει δυσφορία στα χέρια, τους βραχίονες, τους ώμους, τον αυχένα και άλλα μέρη του σώματός του.
2. Ενώ χρησιμοποιεί ένα εργαλείο, ο χειριστής θα πρέπει να υιοθετήσει μια κατάλληλη και εργονομική στάση. Διατηρήστε ασφαλές πάτημα και αποφυγείτε τις αδέξιες και ανισορροπες στάσεις.
3. Αν ο χειριστής βιώσει συμπτώματα όπως επίμονη και επαναλαμβανόμενη δυσφορία, πόνο, κτύπο, άλγος, μυρμηγκίασμα, μούδιασμα, αίσθηση καύσου ή ακαμψία, δεν πρέπει να ανησυχεί αυτά τα προειδοποιητικά σημάδια. Ο χειριστής πρέπει να συμβουλευτεί έναν αρμόδιο επαγγελματία στο χώρο της υγείας, για τις συνολικές δραστηριότητές του.
4. Η συνεχόμενη χρήση του εργαλείου μπορεί να προκαλέσει κακώσεις λόγω επαναλαμβανόμενης καταπόνησης που οφείλονται στην ανατύλιξη που παράγει το εργαλείο.
5. Για να αποφευχθεί ο τραυματισμός λόγω επαναλαμβανόμενης καταπόνησης, ο χειριστής δεν πρέπει να τεντώνει υπερβολικά ή να χρησιμοποιεί υπερβολική δύναμη. Επιπλέον, ο χειριστής θα πρέπει να ξεκουράζεται όταν νιώθει κουρασμένος.
6. Διεξαγάγετε αξιολόγηση κινδύνων σχετικά με τους κινδύνους της επαναλαμβανόμενης κίνησης. Θα πρέπει να επικεντρωθεί σε μυοσκελετικές διαταραχές και, κατά προτίμηση, να βασίζεται στην υπόθεση ότι η μείωση κόπωσης κατά τη διάρκεια της εργασίας είναι αποτελεσματική στη μείωση των διαταραχών.

Κίνδυνοι με τα εξαρτήματα και αναλώσιμα

1. Αφαιρέστε το δοχείο αερίου και την μπαταρία πριν αλλάξετε/αντικαταστήσετε εξαρτήματα όπως την επαφή τεμαχίου εργασίας ή πραγματοποιήσετε οποιαδήποτε ρύθμιση.
2. Να χρησιμοποιείτε μόνο τα μεγέθη και τύπους των εξαρτημάτων που παρέχονται από τον κατασκευαστή.
3. Να χρησιμοποιείτε μόνο λιπαντικά που συνιστώνται σε αυτό το εγχειρίδιο.

Κίνδυνοι στο χώρο εργασίας

1. Το γλίστρημα, το σκόνταμμα και οι πτώσεις είναι οι κύριες αιτίες για τραυματισμό στο χώρο εργασίας. Προσέχετε για ολισθηρές επιφάνειες που δημιουργούνται από τη χρήση του εργαλείου και επίσης για κινδύνους ολίσθησης που προκαλούνται από τον εύκαμπτο σωλήνα της γραμμής αέρα.

2. Σε άγνωστο περιβάλλον, να προχωράτε με περισσότερη προσοχή. Μπορεί να υπάρχουν κρυφοί κίνδυνοι, όπως ηλεκτρικές γραμμές ή γραμμές άλλων παροχών.
3. Αυτό το εργαλείο δεν προορίζεται για χρήση σε δυνητικώς εκρηκτικές ατμόσφαιρες και δεν είναι μονωμένο για την περίπτωση επαφής με ηλεκτρικό ρεύμα.
4. Βεβαιωθείτε ότι δεν υπάρχουν ηλεκτρικά καλώδια, σωλήνες αερίου, κτλ. που θα μπορούσαν να προκαλέσουν κίνδυνο στην περίπτωση που υποστούν ζημιά από τη χρήση του εργαλείου.
5. Διατηρείτε την περιοχή εργασίας καθαρή και επαρκώς φωτισμένη. Οι ακατάστατοι ή σκοτεινοί χώροι προσελκύουν τα ατυχήματα.
6. Πιθανώς να υφίστανται τοπικοί κανονισμοί αναφορικά με το θόρυβο, με τους οποίους και θα πρέπει να συμμορφώνεστε διατηρώντας τη στάθμη θορύβου εντός των προδιαγεγραμμένων ορίων. Σε ορισμένες περιπτώσεις, θα πρέπει να χρησιμοποιούνται πετάσματα για τον περιορισμό του θορύβου.

Κίνδυνοι σκόνης και εξάτμισης

1. Να ελέγχετε πάντα το περιβάλλον σας. Η εξάτμιση του εργαλείου μπορεί να φυσήξει σκόνη ή αντικείμενα και να χτυπήσουν τον χειριστή ή/και τους παρευρισκόμενους.
2. Κατευθύνετε την εξάτμιση με τρόπο ώστε να ελαχιστοποιηθεί η διατάραξη της σκόνης σε ένα περιβάλλον με πολλή σκόνη.
3. Αν εκλύεται σκόνη ή αντικείμενα στην περιοχή εργασίας, μειώστε την εκπομπή όσο το δυνατό περισσότερο, για να μειωθούν οι κίνδυνοι υγείας καθώς και ο κίνδυνος τραυματισμού.

Κίνδυνοι θορύβου

1. Η απροστάτευτη έκθεση σε υψηλά επίπεδα θορύβου μπορεί να προκαλέσει μόνιμη απώλεια ακοής και άλλα προβλήματα όπως έμβοη (κουδούνισμα, βούισμα, σφύριγμα ή φύσημα στα αυτιά).
2. Διεξαγάγετε αξιολόγηση κινδύνων σχετικά με τους κινδύνους θορύβου στην περιοχή εργασίας και υλοποιήστε τους κατάλληλους ελέγχους για αυτούς τους κινδύνους.
3. Οι κατάλληλοι έλεγχοι για τη μείωση του κινδύνου μπορεί να περιλαμβάνουν ενέργειες όπως την απόσβεση υλικών ώστε να αποτραπεί το «κουδούνισμα» των τεμαχίων εργασίας.
4. Να χρησιμοποιείτε κατάλληλη προστασία ακοής.
5. Χρησιμοποιήστε και συντηρήστε το εργαλείο όπως συνιστάται στις παρούσες οδηγίες, για να αποτραπεί η περιττή αύξηση των επιπέδων θορύβου.
6. Λάβετε μέτρα για τη μείωση του θορύβου, για παράδειγμα την τοποθέτηση των τεμαχίων εργασίας σε στηρίγματα απόσβεσης θορύβων.

Κίνδυνοι δόνησης

1. Η εκπομπή δονήσεων κατά τη λειτουργία εξαρτάται από τη δύναμη κρατήματος, την πίεση επαφής, την κατεύθυνση εργασίας, τη ρύθμιση της ενεργειακής παροχής, το τεμάχιο εργασίας και τη στήριξη του τεμαχίου εργασίας. Διεξαγάγετε αξιολόγηση κινδύνων σχετικά με τους κινδύνους δονήσεων και υλοποιήστε τους κατάλληλους ελέγχους για αυτούς τους κινδύνους.

2. Η έκθεση στη δόνηση μπορεί να προκαλέσει ζημιά στα νεύρα και τη παροχή αίματος στα χέρια και βραχίονες.
3. Να φοράτε ζεστά ρούχα όταν εργάζεστε σε κρύες συνθήκες, να διατηρείτε τα χέρια σας ζεστά και στεγνά.
4. Αν βιώσετε μούδιασμα, μυρμηγκιασμα, πόνο ή λεύκανση στο δέρμα των δακτύλων ή των χεριών σας, αναζητήστε ιατρική συμβουλή από αρμόδιο επαγγελματία στο χώρο της υγείας, αναφορικά με τις συνολικές δραστηριότητες.
5. Χρησιμοποιήστε και συντηρήστε το εργαλείο όπως συνιστάται στις παρούσες οδηγίες, για να αποτραπεί η περιττή αύξηση των επιπέδων δόνησης.
6. Να κρατάτε το εργαλείο ελαφρά, αλλά με ασφάλεια, επειδή ο κίνδυνος από τη δόνηση είναι γενικά μεγαλύτερος όταν η δύναμη κρατήματος είναι υψηλότερη.

Πρόσθετες οδηγίες ασφάλειας για εργαλεία αερίου

1. Να χρησιμοποιείτε το εργαλείο μόνο με το γνήσιο δοχείο αερίου της Makita.
2. Προσέχετε όταν χρησιμοποιείτε εργαλεία αερίου, επειδή το εργαλείο μπορεί να γίνει ζεστό, επηρεάζοντας το κράτημα και τον έλεγχο.
3. Τα εργαλεία καρφώματος συνδετήρων πρέπει να χρησιμοποιούνται σε χώρους με εξαερισμό.
4. Στην περίπτωση που ένα υγροποιημένο καύσιμο αέριο έρθει σε επαφή με το ανθρώπινο δέρμα, μπορεί να συμβούν τραυματισμοί.
5. Τα δοχεία αερίου πρέπει να επισημαίνονται ανάλογα με τον απαιτούμενο κανονισμό μεταφοράς.
6. Να χειρίζεστε τα δοχεία αερίου προσεκτικά και να ελέγχετε για ζημιές. Τα κατεστραμμένα δοχεία αερίου μπορούν να εκραγούν και να προκαλέσουν τραυματισμό.
7. Διαβάστε και ακολουθήστε τις οδηγίες που παρέχονται με το δοχείο αερίου.
8. Βεβαιωθείτε ότι τα καύσιμα υλικά δεν έχουν εκτεθεί σε ζεστά καυσαέρια.
9. Μην χρησιμοποιείτε εργαλεία αερίου σε εκρηκτικές ατμόσφαιρες επειδή οι σπτίθες που παράγονται στο εργαλείο μπορεί να προκαλέσουν πυρκαγιά ή έκρηξη.
10. Τα δοχεία αερίου δεν πρέπει να αποθηκεύονται απρόσεκτα ή σε υψηλή θερμοκρασία. Ακολουθήστε τους τοπικούς κανονισμούς και τις οδηγίες του δοχείου αερίου για τον χειρισμό και τη διάθεση των δοχείων αερίου και των μπαταριών ή συσσωρευτών.
11. Για εργαλεία αερίου, μπορεί να συμβεί μια μικρή απελευθέρωση αερίου από τις κανονικές εργασίες.

Χρήση και φροντίδα μπαταριών

1. Να επαναφορτίζετε τις μπαταρίες μόνο με το φορτιστή που καθορίζεται από τον κατασκευαστή. Ένας φορτιστής που είναι κατάλληλος για μια συγκεκριμένη μπαταρία μπορεί να δημιουργήσει κίνδυνο πυρκαγιάς όταν χρησιμοποιείται με μια άλλη μπαταρία.
2. Να χρησιμοποιείτε ηλεκτρικά εργαλεία μόνο με ειδικά καθορισμένες μπαταρίες. Η χρήση κάθε άλλης μπαταρίας μπορεί να δημιουργήσει κίνδυνο τραυματισμού ή πυρκαγιάς.

- Όταν δεν χρησιμοποιείται η κασέτα μπαταριών, διατηρήστε τη μακριά από άλλα μεταλλικά αντικείμενα, όπως συνδετήρες, κέρματα, κλειδιά, καρφιά, βίδες ή άλλα μικρά μεταλλικά αντικείμενα, με τα οποία μπορεί να δημιουργηθεί σύνδεση από τον έναν ακροδέκτη στον άλλον. Το βραχυκύκλωμα των ακροδεκτών της μπαταρίας μπορεί να προκαλέσει εγκαύματα ή πυρκαγιά.
- Υπό συνθήκες κατάχρησης, μπορεί να εξαχθεί υγρό από την μπαταρία. Να αποφεύγετε την επαφή. Εάν συμβεί επαφή κατά λάθος, εκπλύνετε με νερό. Εάν το υγρό έρθει σε επαφή με τα μάτια, αναζητήστε και ιατρική βοήθεια. Το υγρό που εξάγεται από την μπαταρία μπορεί να προκαλέσει ερεθισμό ή εγκαύματα.
- Μη χρησιμοποιείτε μια κασέτα μπαταριών ή εργαλείο που έχει καταστραφεί ή τροποποιηθεί. Οι κατεστραμμένες ή τροποποιημένες μπαταρίες μπορεί να παρουσιάσουν απρόβλεπτη συμπεριφορά που έχει ως αποτέλεσμα πυρκαγιά, έκρηξη ή κίνδυνο τραυματισμού.
- Μην εκθέτετε την κασέτα μπαταριών ή το εργαλείο σε πυρκαγιά ή υπερβολικά υψηλή θερμοκρασία. Η έκθεση στην πυρκαγιά ή στη θερμοκρασία άνω των 130 °C μπορεί να προκαλέσει έκρηξη.
- Ακολουθήστε όλες τις οδηγίες φόρτισης και μην φορτίζετε την κασέτα μπαταριών ή το εργαλείο εκτός του θερμοκρασιακού εύρους που καθορίζεται στις οδηγίες. Η λανθασμένη φόρτιση ή η φόρτιση σε θερμοκρασίες εκτός του καθορισμένου εύρους μπορεί να προκαλέσει ζημιά στην μπαταρία και να αυξήσει τον κίνδυνο πυρκαγιάς.

Συσκευές ασφαλείας

- Βεβαιωθείτε ότι όλα τα συστήματα ασφαλείας είναι σε κατάσταση λειτουργίας πριν από τη χρήση. Αν τραβήξετε μόνο τη σκανδάλη διακόπτη ή αν πιέσετε μόνο το βραχίονα επαφής πάνω στο ξύλο, το εργαλείο δεν θα πρέπει να λειτουργήσει. Πρέπει να λειτουργεί μόνο όταν εκτελείτε και τις δύο ενέργειες. Ελέγχετε για τυχόν ελαττωματική λειτουργία με το εργαλείο χωρίς συνδετήρες και τον προωθητή τελείως τραβηγμένο.
- Είναι πολύ επικίνδυνο να ασφαλίσετε τη σκανδάλη στην ανοικτή θέση (ON). Ποτέ μην επιχειρήσετε να ασφαλίσετε τη σκανδάλη.
- Μην επιχειρείτε να κρατήσετε το στοιχείο επαφής πατημένο με κολλητική ταινία ή σύρμα. Μπορεί να προκληθεί θάνατος ή σοβαρός τραυματισμός.
- Ελέγχετε πάντοτε το στοιχείο επαφής σύμφωνα με τις οδηγίες του παρόντος εγχειριδίου. Αν ο μηχανισμός ασφαλείας δεν λειτουργεί σωστά, μπορεί να πραγματοποιηθεί κατά λάθος βίδωμα των συνδετήρων.

Σέρβις

- Εκτελείτε καθαρισμό και συντήρηση αμέσως μετά το τέλος της εργασίας. Διατηρείτε το εργαλείο σε άριστη κατάσταση. Λιπαίνετε τα κινούμενα εξαρτήματα για να αποφύγετε τη σκουριά και να ελαχιστοποιήσετε τη φθορά από την τριβή. Σκουπίζετε όλη τη σκόνη από τα εξαρτήματα.
- Απευθυνθείτε στο εξουσιοδοτημένο κέντρο σέρβις της Makita για την περιοδική επιθεώρηση του εργαλείου.

- Για να διατηρήσετε την ΑΣΦΑΛΕΙΑ και την ΑΞΙΟΠΙΣΤΙΑ του εργαλείου, η συντήρηση και οι επισκευές πρέπει να διενεργούνται από τα εξουσιοδοτημένα Κέντρα Σέρβις της Makita, χρησιμοποιώντας πάντα ανταλλακτικά της Makita.
- Τηρήστε τους τοπικούς κανονισμούς κατά τη διάθεση του εργαλείου.

ΦΥΛΑΞΕΤΕ ΑΥΤΕΣ ΤΙΣ ΟΔΗΓΙΕΣ.

▲ΠΡΟΕΙΔΟΠΟΙΗΣΗ: ΜΗΝ επιτρέψετε στην άνεση ή στην εξοικειωσή σας με το προϊόν (που αποκτήθηκε από επανειλημμένη χρήση) να αντικαταστήσει την αυστηρή τήρηση των κανόνων ασφαλείας του παρόντος εργαλείου. Η ΛΑΝΘΑΣΜΕΝΗ ΧΡΗΣΗ ή η αμέλεια να ακολουθήσετε τους κανόνες ασφαλείας που διατυπώνονται στο παρόν εγχειρίδιο οδηγιών μπορεί να προκαλέσει σοβαρό προσωπικό τραυματισμό.

Σημαντικές οδηγίες ασφαλείας για κασέτα μπαταριών

- Πριν χρησιμοποιήσετε την κασέτα μπαταριών, διαβάστε όλες τις οδηγίες και σημειώσεις προφύλαξης (1) στον φορτιστή μπαταριών, (2) στην μπαταρία και (3) στο προϊόν που χρησιμοποιεί την μπαταρία.
- Μην αποσυρμαολογήσετε την κασέτα μπαταριών.
- Εάν ο χρόνος λειτουργίας έχει γίνει υπερβολικά βραχύς, σταματήστε τη λειτουργία αμέσως. Αλλιώς, μπορεί να έχει ως αποτέλεσμα κίνδυνο υπερθέρμανσης, πιθανά εγκαύματα ή ακόμη και έκρηξη.
- Εάν ηλεκτρολύτης μπει στα μάτια σας, ξεπλύνετε τα με καθαρό νερό και ζητήστε ιατρική φροντίδα αμέσως. Αλλιώς, μπορεί να έχει ως αποτέλεσμα απώλεια της όρασης σας.
- Μη βραχυκυκλώνετε την κασέτα μπαταριών:
 - (1) Μην αγγίζετε τους πόλους με οτιδήποτε αγώγιμο υλικό.
 - (2) Αποφεύγετε να αποθηκεύετε την κασέτα μπαταριών μέσα σε ένα δοχείο μαζί με άλλα μεταλλικά αντικείμενα όπως καρφιά, νομίσματα, κλπ.
 - (3) Μην εκθέτετε την κασέτα μπαταριών στο νερό ή στη βροχή.
 Ένα βραχυκύκλωμα μπαταρίας μπορεί να προκαλέσει μεγάλη ροή ρεύματος, υπερθέρμανση, πιθανά εγκαύματα ακόμη και σοβαρή βλάβη.
- Μην αποθηκεύετε το εργαλείο και την κασέτα μπαταριών σε τοποθεσίες όπου η θερμοκρασία μπορεί να φτάσει ή να ξεπεράσει τους 50°C.
- Μην καίτε την κασέτα μπαταριών ακόμη και εάν έχει σοβαρή ζημιά ή είναι εντελώς φθαρμένη. Η κασέτα μπαταριών μπορεί να εκραγεί στη φωτιά.
- Προσέχετε να μη ρίξετε κάτω ούτε να χτυπήσετε την μπαταρία.
- Μη χρησιμοποιείτε μπαταρία που έχει υποστεί ζημιά.

10. **Οι μπαταρίες ιόντων λιθίου που περιέχονται υπόκεινται στις απαιτήσεις της νομοθεσίας για επικίνδυνα αγαθά.**
Για εμπορικές μεταφορές, για παράδειγμα από τρίτα μέρη, πρέπει να τηρούνται οι διαμεταφορές, οι ειδικές απαιτήσεις στη συσκευασία και η επισήμανση.
Για προετοιμασία του στοιχείου που αποστέλλεται, είναι απαραίτητο να συμβουλευτείτε έναν ειδικό για επικίνδυνα υλικά. Επίσης, τηρήστε τους πιθανούς, πιο αναλυτικούς εθνικούς κανονισμούς. Καλύψτε με αυτοκόλλητη ταινία ή κρύψτε τις ανοικτές επαφές και συσκευάστε την μπαταρία με τρόπο που να μην μπορεί να μετακινείται μέσα στη συσκευασία.
11. **Όταν απορρίπτετε την κασέτα μπαταριών, αφαιρέστε την από το εργαλείο και διαθέστε την σε ένα ασφαλές μέρος. Τηρήστε τους τοπικούς κανονισμούς που σχετίζονται με τη διάθεση της μπαταρίας.**
12. **Χρησιμοποιήστε τις μπαταρίες μόνο με τα προϊόντα που καθορίζει η Makita.** Αν τοποθετήσετε τις μπαταρίες σε μη συμβατά προϊόντα μπορεί να έχει ως αποτέλεσμα πυρκαγιά, υπερβολική θερμότητα, έκρηξη ή διαρροή ηλεκτρολύτη.
13. **Αν δεν χρησιμοποιείτε το εργαλείο για μεγάλο χρονικό διάστημα, πρέπει να βγάλετε την μπαταρία από το εργαλείο.**

ΦΥΛΑΞΤΕ ΤΙΣ ΟΔΗΓΙΕΣ ΑΥΤΕΣ.

▲ΠΡΟΣΟΧΗ: Να χρησιμοποιείτε μόνο γνήσιες μπαταρίες της Makita. Η χρήση μη γνήσιων μπαταριών Makita, ή μπαταριών που έχουν τροποποιηθεί, μπορεί να έχει ως αποτέλεσμα τη ρήξη της μπαταρίας, προκαλώντας πυρκαγιά, προσωπικό τραυματισμό και βλάβη. Επίσης, θα ακυρωθεί η εγγύηση της Makita για το εργαλείο και φορτιστή Makita.

Συμβουλές για τη διατήρηση της μέγιστης ζωής μπαταρίας

1. Φορτίζετε την κασέτα μπαταριών πριν από την πλήρη αποφόρτιση της. Πάντοτε να σταματάτε τη λειτουργία του εργαλείου και να φορτίζετε την κασέτα μπαταριών όταν παρατηρείτε μειωμένη ισχύ εργαλείου.
2. Ποτέ μην επαναφορτίζετε μια πλήρως φορτισμένη κασέτα μπαταριών. Η υπερφόρτιση μειώνει την ωφέλιμη ζωή της μπαταρίας.
3. Να φορτίζετε την κασέτα μπαταριών σε θερμοκρασία δωματίου, δηλαδή στους 10°C έως 40°C. Αφήστε μια θερμή κασέτα μπαταριών να κρυώσει πριν την φορτίσετε.

Σύνοψη του καρφωτικού

- **Εικ.1:** 1. Κάλυμμα καυσίμου 2. Σκανδάλη 3. Γεμιστήρας 4. Μοχλός ωστήρα 5. Κομπι ωστήρα 6. Στοιχείο επαφής 7. Εξοδος αερίων 8. Λάμπα 9. Ενδεικτική λυχνία 10. Κασέτα μπαταριών

ΠΕΡΙΓΡΑΦΗ ΛΕΙΤΟΥΡΓΙΑΣ

▲ΠΡΟΣΟΧΗ:

- Να φροντίζετε πάντα να αφαιρείτε το δοχείο αερίου, την κασέτα μπαταριών και τα καρφιά πριν προσαρμόσετε ή ελέγξετε τη λειτουργία στο εργαλείο.

Τοποθέτηση ή αφαίρεση της κασέτας μπαταριών

▲ΠΡΟΣΟΧΗ:

- Να σβήνετε πάντα το εργαλείο πριν τοποθετήσετε ή αφαιρέσετε την κασέτα μπαταριών.
- **Κρατήστε το εργαλείο και την κασέτα μπαταριών σταθερά κατά την τοποθέτηση ή αφαίρεση της κασέτας μπαταριών.** Αν δεν κρατάτε το εργαλείο και την κασέτα μπαταριών σταθερά μπορεί να γλιστρήσουν από τα χέρια σας και να προκληθεί βλάβη στο εργαλείο και την κασέτα μπαταριών και προσωπικός τραυματισμός.

► **Εικ.2:** 1. Κασέτα μπαταριών

Για να τοποθετήσετε την κασέτα μπαταριών, κρατήστε την ώστε το μπροστινό σχήμα της κασέτας μπαταριών να προσαρμόζεται σε αυτό του ανοίγματος για την τοποθέτηση της μπαταρίας και ολισθήστε τη στη θέση της. Να την εισαγάγετε μέχρι τέρμα ώστε να ασφαλίσει στη θέση της, γεγονός που υποδεικνύεται με έναν χαρακτηριστικό ήχο.

► **Εικ.3:** 1. Κασέτα μπαταριών 2. Κομπι

Για να βγάλετε την κασέτα μπαταριών, τραβήξτε την από το εργαλείο καθώς πατάτε τις δύο πλευρές της κασέτας.

▲ΠΡΟΣΟΧΗ:

- Να εισαγάγετε πάντα την κασέτα μπαταριών έως το τέρμα, μέχρι να ασφαλίσει στη θέση της. Αν δεν ασφαλίσει, μπορεί να πέσει από το εργαλείο τυχαία, προκαλώντας σωματική βλάβη σε εσάς ή κάποιον άλλο γύρω σας.
- Μην τοποθετείτε την κασέτα μπαταριών με βία. Αν η κασέτα δεν ολισθαίνει με ευκολία, τότε δεν έχει τοποθετηθεί σωστά.

Αναμμα της λάμπας

▲ΠΡΟΣΟΧΗ:

- Μην κοιτάζετε κατευθείαν μέσα στο φως ή στην πηγή φωτός.

► **Εικ.4:** 1. Κομπι λάμπας

Για να ανάψετε τη λάμπα, πατήστε το κομπι λάμπας. Για να σβήσετε τη λάμπα, πατήστε ξανά το κομπι λάμπας.

Δοχείο αερίου

Προσάρτηση της βαλβίδας μέτρησης στο δοχείο αερίου

► **Εικ.5:** 1. Βαλβίδα μέτρησης 2. Καπάκι

Αποσυνδέστε το καπάκι (στην περίπτωση που παρέχεται βαλβίδα μέτρησης με το καπάκι).

► **Εικ.6**

Σπρώξτε το μπροστινό άκρο προς τα μέσα.

► **Εικ.7**

Σπρώξτε το πίσω άκρο προς τα μέσα μέχρι να εδράσει.

Εισαγωγή του δοχείου αερίου

► **Εικ.8**

Σπρώξτε προς τα πάνω και τραβήξτε το κάλυμμα καυσίμου για να ανοίξει.

► **Εικ.9:** 1. Ακροφύσιο δέσμης

Εισαγάγετε το δοχείο αερίου κατευθύνοντας το ακροφύσιο δέσμης της βαλβίδας μέτρησης προς τον προσαρμογέα.

► **Εικ.10**

Εισαγάγετε σωστά το ακροφύσιο δέσμης μέσα στη μικρή οπή του προσαρμογέα.

► **Εικ.11**

Τοποθετήστε το κάλυμμα καυσίμου πάνω από τη βαλβίδα μέτρησης και σπρώξτε την κάτω στο μάνδαλο.

Ρύθμιση του βάθους καρφώματος

▲ ΠΡΟΣΟΧΗ:

- Αφαιρέστε το δοχείο αερίου, την κασέτα μπαταριών και τα καρφιά πριν προσαρμόσετε το βάθος καρφώματος.

► **Εικ.12:** 1. Ρυθμιστής

Για πιο μικρό βάθος, γυρίστε τον ρυθμιστή δεξιόστροφα όπως απεικονίζεται στην εικόνα. Για πιο μεγάλο βάθος, γυρίστε τον ρυθμιστή αριστερόστροφα.

Μην περιστρέψετε τον ρυθμιστή πάρα πολύ, διαφορετικά ο ρυθμιστής μπορεί να κολλήσει.

Ενδεικτική λυχνία

Το χρώμα της ενδεικτικής λυχνίας σημαίνει τα ακόλουθα.
Αναβοσβήνει με πράσινο χρώμα: Κανονική κατάσταση
Αναβοσβήνει με κόκκινο χρώμα: Πρέπει να επαναφορτίσετε την κασέτα μπαταριών

Ανάβει με κόκκινο χρώμα: Επαναφορτίστε την κασέτα μπαταριών. Δεν είναι δυνατή η εκτέλεση του καρφώματος επειδή δεν απομένει ενέργεια μπαταρίας.

Αναβοσβήνει με πορτοκαλί χρώμα: Συνιστάται σχολαστικός καθαρισμός. Ανατρέξτε στην ενότητα «ΣΥΝΤΗΡΗΣΗ» για να καθαρίσετε το εσωτερικό του εργαλείου σχολαστικά. Για να επαναφέρετε το πορτοκαλί αναβοσβήμα της ενδεικτικής λυχνίας, πατήστε το σωστό στοιχείο για πέντε δευτερόλεπτα και, στη συνέχεια, πατήστε το στοιχείο επαφής πέντε φορές.

Αναβοσβήνει με πορτοκαλί χρώμα αφού αναβόσβησε με πράσινο και κόκκινο χρώμα εναλλάξ: Λειτουργεί ανίχνευση βλαβών. Αφαιρέστε και εισαγάγετε ξανά την κασέτα μπαταριών για επαναφορά. Αν η ανίχνευση βλαβών λειτουργεί ξανά, πρόκειται για κατάσταση δυσλειτουργίας. Απευθυνθείτε στο τοπικό κέντρο σέρβις της Makita για επισκευή.

Γάντζος

▲ **ΠΡΟΣΟΧΗ:** Να αφαιρείτε πάντα την κασέτα μπαταριών όταν κρεμάτε το εργαλείο. Μην κρεμάτε το εργαλείο στη ζώνη σας.

► **Εικ.13:** 1. Γάντζος

Ο γάντζος χρησιμεύει για το προσωρινό κρέμασμα του εργαλείου.

Ο γάντζος μπορεί να ρυθμιστεί σε δύο θέσεις ανάλογα με το σημείο όπου θα κρεμαστεί το εργαλείο.

Για να αλλάξετε τη θέση του γάντζου, ωθήστε τα πόδια του προς τα μέσα και από τις δύο πλευρές και μετατοπίστε το σε άλλη θέση.

ΣΥΝΑΡΜΟΛΟΓΗΣΗ

▲ ΠΡΟΣΟΧΗ:

- Να αφαιρέσετε πάντα το δοχείο αερίου και την κασέτα μπαταριών πριν εκτελέσετε οποιαδήποτε εργασία στο εργαλείο.

Φόρτωση του καρφωτικού

► **Εικ.14:** 1. Κουμπί

Εισαγάγετε τη σειρά καρφιών στην εγκοπή στο πίσω μέρος του γεμιστήρα. Τα καρφιά σταματούν στην είσοδο του γεμιστήρα λόγω του αναστολέα καρφιών. Ξεκλειδώστε το γεμιστήρα πατώντας το κουμπί του αναστολέα καρφιών για να εισαγάγετε τα καρφιά.

► **Εικ.15:** 1. Μοχλός ωστήρα

Τραβήξτε το μοχλό ωστήρα πατώντας το κουμπί ωστήρα μέχρι τέρμα στο πίσω μέρος του γεμιστήρα. Στη συνέχεια, αφήστε το κουμπί ωστήρα και επιστρέψτε απαλά το μοχλό ωστήρα στο τέλος της σειράς.

Αφαίρεση καρφιών

► **Εικ.16:** 1. Μοχλός ωστήρα 2. Αναστολέας καρφιών

Τραβήξτε το μοχλό ωστήρα και πατήστε το κουμπί ωστήρα για να απελευθερώσετε το στήριγμα καρφιού και, στη συνέχεια, επιστρέψτε το μοχλό ωστήρα στο πάνω μέρος στρώχνοντας το κουμπί ωστήρα. Σύρετε τα καρφιά προς το πίσω μέρος του γεμιστήρα. Τα καρφιά σταματούν στην είσοδο του γεμιστήρα λόγω του αναστολέα καρφιών. Ξεκλειδώστε το γεμιστήρα πατώντας το κουμπί του αναστολέα καρφιών για να αφαιρέσετε τα καρφιά.

Αλλαγή του γεμιστήρα (προαιρετικό εξάρτημα)

► **Εικ.17:** 1. Μπουλόνι

Διατίθεται γεμιστήρας με διαφορετικό μήκος ως προαιρετικό εξάρτημα.

Για να αλλάξετε το γεμιστήρα, χαλαρώστε το μπουλόνι και αφαιρέστε το γεμιστήρα. Στη συνέχεια, εγκαταστήστε τον καινούριο γεμιστήρα. Και, σφίξτε το μπουλόνι στον γεμιστήρα.

ΛΕΙΤΟΥΡΓΙΑ

⚠ ΠΡΟΕΙΔΟΠΟΙΗΣΗ:

- Μην αγγίζετε στην περιοχή γύρω από την έξοδο αερίων. Η επιφάνεια θα είναι πολύ ζεστή κατά τη διάρκεια μιας λειτουργίας καθώς και μετά από αυτή. Αν αγγίξετε κοντά στην έξοδο αερίων, μπορεί να προκληθούν εγκαύματα ή τραυματισμοί.

⚠ ΠΡΟΣΟΧΗ:

- Να βεβαιώνετε ότι όλα τα συστήματα ασφαλείας βρίσκονται σε καλή κατάσταση πριν από τη λειτουργία.

Ελέγξτε τη σωστή δράση πριν τη λειτουργία

Πριν τη λειτουργία, να ελέγχετε πάντα τα ακόλουθα σημεία.

- Βεβαιωθείτε ότι το εργαλείο δεν λειτουργεί μόνο με την τοποθέτηση της κασέτας μπαταριών και του δοχείου αερίου.
- Βεβαιωθείτε ότι το εργαλείο δεν λειτουργεί μόνο με το τράβηγμα της σκανδάλης.
- Βεβαιωθείτε ότι το εργαλείο δεν λειτουργεί μόνο με την τοποθέτηση του στοιχείου επαφής επάνω στο τεμάχιο εργασίας χωρίς το τράβηγμα της σκανδάλης.
- Βεβαιωθείτε ότι το εργαλείο δεν λειτουργεί όταν τραβάτε πρώτα τη σκανδάλη και μετά τοποθετείτε το στοιχείο επαφής επάνω στο τεμάχιο εργασίας.

Κάρφωμα καρφίων

► Εικ.18

- Για να καρφώσετε ένα καρφί, τοποθετήστε το στοιχείο επαφής επάνω στο τεμάχιο εργασίας. Το μοτέρ ανεμιστήρα είναι ενεργοποιημένο, το αέριο καύσιμο εγχύεται στο θάλαμο καύσης και αναμειγνύεται με τον αέρα στον ανεμιστήρα.

► Εικ.19: 1. Σκανδάλη

- Κρατήστε το στοιχείο επαφής πατώντας το σταθερά και τραβήξτε τη σκανδάλη. Το αέριο καύσιμο καίγεται και το καρφί καρφώνεται.
- Περαιτέρω κάρφωμα μπορεί να εκκινήσει μόνο μετά την απελευθέρωση του στοιχείου επαφής και της σκανδάλης.

Κάρφωμα καρφίων σε σκυρόδεμα

⚠ ΠΡΟΕΙΔΟΠΟΙΗΣΗ:

- Για σκυρόδεμα, να χρησιμοποιείτε μόνο σκληρυμένα καρφιά. Η χρήση άλλων τύπων καρφίων μπορεί να προκαλέσει σοβαρούς τραυματισμούς. Μην καρφώνετε απευθείας στο σκυρόδεμα. Αν δεν το κάνετε αυτό, μπορεί να προκαλέσει εκτίναξη θραυσμάτων σκυροδέματος ή καρφίων προς τα πίσω προκαλώντας σοβαρούς τραυματισμούς.
- Στη διάρκεια του καρφώματος καρφίων, κρατήστε το εργαλείο σε κάθετη θέση επάνω στην επιφάνεια οδήγησης. Το κάρφωμα υπό γωνία μπορεί να προκαλέσει εκτίναξη θραυσμάτων σκυροδέματος ή καρφίων προς τα πίσω προκαλώντας σοβαρούς τραυματισμούς.
- Μην χρησιμοποιείτε το εργαλείο σε επιφάνεια από την οποία κρέμονται αντικείμενα, όπως μια περιοχή όπου έχουν διαμορφωθεί αναρτήσεις για σωλήνες αποχέτευσης, σωλήνες σκόνης, κτλ.

⚠ ΠΡΟΣΟΧΗ:

- Να χρησιμοποιείτε αυτό το εργαλείο μόνο για μαλακό σκυρόδεμα που έχει κατασκευαστεί πρόσφατα. Η χρήση σε σκληρό σκυρόδεμα μπορεί να προκαλέσει το λύγισμα των καρφίων ή το κάρφωμα σε ανεπαρκές βάθος.
- Όταν απαιτείται βαθμός διεύθυνσης στο σκυρόδεμα μεγαλύτερος από 20 mm, μπορεί τα καρφιά να μην καρφωθούν στο απαιτούμενο βάθος. Τα καρφιά μπορεί να καρφωθούν σε μικρό βάθος προκαλώντας ασταθές τεμάχιο εργασίας, έχοντας ως αποτέλεσμα προσωπικό τραυματισμό και ζημιά στην ιδιοκτησία.
- Όταν καρφώνετε το καρφί απευθείας σε μια σκληρή επιφάνεια, όπως χάλυβα και τσιμέντο, πατήστε το στοιχείο επαφής καλά επάνω στο τεμάχιο εργασίας για να μην γλιστρήσει.

Επιλέξτε και χρησιμοποιήστε κατάλληλα καρφιά ώστε ο βαθμός διεύθυνσης στο σκυρόδεμα να κυμαίνεται από 15 mm - 20 mm.

- Εικ.20: 1. Λεπτή ασάλινη πλάκα 2. Βαθμός διεύθυνσης σε σκυρόδεμα

Μηχανισμός προστασίας από το κενό κάρφωμα

Ο μηχανισμός αυτός αποτρέπει την πυροδότηση του εργαλείου χωρίς καρφί.

Η προστασία από το κενό κάρφωμα λειτουργεί αυτόματα όταν τα καρφιά φτάσουν στα τελευταία 2-3 κομμάτια.

Εμπλοκή του καρφωτικού

⚠ ΠΡΟΕΙΔΟΠΟΙΗΣΗ:

- Να βεβαιώνετε πάντα να βγάξετε το δοχείο αερίου και την κασέτα μπαταριών πριν τη διόρθωση εμπλοκής.

⚠ ΠΡΟΣΟΧΗ:

- Μη χρησιμοποιείτε παραμορφωμένα καρφιά ή παραμορφωμένη σειρά καρφίων. Αν κάνετε κάτι τέτοιο, θα προκληθεί ανεπαρκής τροφοδοσία καρφίων.

Ακολουθήστε τη διαδικασία αφαίρεσης καρφιών και αφαιρέστε την εμπλοκή καρφιών.

► **Εικ.21:** 1. Γεμιστήρας

Αφαιρέστε το δοχείο αερίου, την κασέτα μπαταριών και τα καρφιά.

Χαλαρώστε το μπουλόνι στον γεμιστήρα. Αφαιρέστε τον γεμιστήρα και αφαιρέστε την εμπλοκή καρφιών.

► **Εικ.22**

Αν δεν μπορείτε να αφαιρέσετε τα καρφιά ακολουθώντας αυτή τη μέθοδο, συνεχίστε όπως περιγράφεται στη συνέχεια.

Εισαγάγετε μια μικρή ράβδο ή κάτι παρόμοιο στη θύρα εκτίναξης και χτυπήστε τη ελαφρά με ένα σφυρί για να εξωθήσετε την εμπλοκή καρφιών από τη θύρα εκτίναξης.

► **Εικ.23:** 1. Οδηγός κάτω από τη μονάδα καρφώματος 2. Μπουλόνι

► **Εικ.24**

Αν παραμένουν καρφιά στη θύρα εκτίναξης, συνεχίστε όπως περιγράφεται στη συνέχεια.

Χαλαρώστε τα μπουλόνια στη θύρα εκτίναξης χρησιμοποιώντας εξαγωνικό κλειδί. Αφαιρέστε τον οδηγό κάτω από τη μονάδα καρφώματος. Και βγάλτε τα καρφιά που έχουν εμπλακεί.

Επιστρέψτε τον οδηγό κάτω από τη μονάδα καρφώματος και σφίξτε τα μπουλόνια μετά την αφαίρεση της εμπλοκής καρφιών.

Επιστρέψτε τον γεμιστήρα και σφίξτε το μπουλόνι.

ΣΥΝΤΗΡΗΣΗ

▲ ΠΡΟΣΟΧΗ:

- Να αφαιρείτε πάντα το δοχείο αερίου, την κασέτα μπαταριών και τα καρφιά πριν επιχειρήσετε να εκτελέσετε μια εργασία επιθεώρησης ή συντήρησης.
- Μην χρησιμοποιείτε ποτέ βενζίνη, πετρελαϊκό αιθέρα, διαλυτικό, αλκοόλη ή παρόμοιες ουσίες. Μπορεί να προκληθεί αποχρωματισμός, παραμόρφωση ή ρωγμές.

Συντήρηση μετά την καθημερινή εργασία

Πριν από τη λειτουργία, να ελέγχετε πάντα τη γενική κατάσταση του εργαλείου, αλλά και αν οι βίδες είναι χαλαρές. Σφίξτε όπως απαιτείται. Στο τέλος της εργάσιμης ημέρας, διεξαγάγετε τη ρουτίνα τέλους εργάσιμης ημέρας.

Αυτά τα απλά βήματα βασίζονται στη διατήρηση της ασφάλειας και απόδοσης του εργαλείου.

Πριν απομακρυνθείτε από την τοποθεσία εργασίας:

- Αφαιρέστε την κασέτα μπαταριών και αποθηκεύστε τη σε μια θήκη μεταφοράς εργαλείου. Να χρησιμοποιείτε πάντα τη θήκη μεταφοράς εργαλείου για τη μεταφορά και αποθήκευση του εργαλείου.
- Διαθέστε όλα τα άδεια κελιά σε σημείο όπου δεν θα τα βρουν παιδιά, δεν θα συνθλιφτούν, διαρρηχθούν ή καούν.

Όταν φτάσετε σπίτι:

- Τοποθετήστε την κασέτα μπαταριών στον φορτιστή της αν χρειάζεται φόρτιση, όπως υποδεικνύεται από την κόκκινη ενδεικτική λυχνία.
- Σκουπίστε το εργαλείο με ένα καθαρό, μαλακό πανί.
- Ελέγξτε το φίλτρο και καθαρίστε το αν είναι σκονισμένο.

Καθαρισμός του φίλτρου αέρα

► **Εικ.25:** 1. Κάλυμμα φίλτρου

► **Εικ.26:** 1. Κάλυμμα φίλτρου 2. Φίλτρο

Πιέστε ελαφρά προς τα πάνω το κάλυμμα φίλτρου και αφαιρέστε το. Μετά, απλώς σηκώστε και βγάλτε το φίλτρο.

Κτυπήστε το φίλτρο ελαφρά για να απομακρύνετε τυχόν σκόνη. Μπορείτε να επαναφέρετε το φίλτρο σε σχεδόν καινούρια κατάσταση με σαπούνι και νερό.

Για διατήρηση της ΑΣΦΑΛΕΙΑΣ και ΑΞΙΟΠΙΣΤΙΑΣ του προϊόντος, τυχόν επισκευές και οποιαδήποτε άλλη εργασία συντήρησης ή ρύθμισης θα πρέπει να εκτελούνται από εξουσιοδοτημένα κέντρα εξυπηρέτησης της Makita, πάντοτε με ανταλλακτικά της Makita.

Σχολαστικός καθαρισμός

Αν συμβαίνει συχνά κενό κάρφωμα, πρέπει να καθαρίσετε το εργαλείο σχολαστικά.

Δείτε το συνοδευτικό οδηγό καθαρισμού για λεπτομέρειες, και πραγματοποιήστε τον καθαρισμό.

Αν έχετε οποιαδήποτε ερώτηση σχετικά με τον καθαρισμό, ζητήστε βοήθεια από το τοπικό σας κέντρο εξυπηρέτησης Makita.

ΠΡΟΑΙΡΕΤΙΚΑ ΕΞΑΡΤΗΜΑΤΑ

▲ ΠΡΟΣΟΧΗ:

- Αυτά τα εξαρτήματα ή προσαρτήματα συνιστώνται για χρήση με το εργαλείο Makita που περιγράφτηκε στις οδηγίες αυτές. Η χρήση οποιωνδήποτε άλλων εξαρτημάτων ή προσαρτημάτων μπορεί να προκαλέσει κίνδυνο τραυματισμού σε άτομα. Να χρησιμοποιείτε τα εξαρτήματα ή προσαρτήματα μόνο για την χρήση που προορίζονται.

Αν χρειάζεστε βοήθεια ή περισσότερες λεπτομέρειες σε σχέση με αυτά τα εξαρτήματα, ρωτήστε το τοπικό σας κέντρο εξυπηρέτησης της Makita.

- Καρφιά
- Γεμιστήρας
- Προστατευτικά γυαλιά
- Δοχείο αερίου
- Κιτ καθαρισμού
- Γνήσια μπαταρία και φορτιστής της Makita

ΠΑΡΑΤΗΡΗΣΗ:

- Μερικά στοιχεία στη λίστα μπορεί να συμπεριλαμβάνονται στη συσκευασία εργαλείου ως στάνταρ εξαρτήματα. Μπορεί να διαφέρουν ανάλογα με τη χώρα.

TEKNİK ÖZELLİKLER

Model	GN420C	
Çivi kapasitesi	20 çivi (2 şerit)	40 çivi (4 şerit)
Boyutlar (U x G x Y)	315 mm x 108 mm x 390 mm	430 mm x 108 mm x 390 mm
Net ağırlık	3,6 kg	3,8 kg
Çivi uzunluğu x Gövde çapı	Çivi uzunluğu: 15 mm - 40 mm çap: 2,6 mm - 3,1 mm	
Anma gerilimi	D.C. 7,2 V	

- Süreklilik arz eden araştırma ve geliştirme programımız nedeniyle burada yer alan teknik özellikler haber verilmeden değiştirilebilir.
- Teknik özellikler ve batarya kartuşu ülkeden ülkeye farklılık gösterebilir.

Simgeler

Aşağıda ekipman için kullanılan simgeler gösterilmiştir. Kullanmadan önce simgelerin anlamlarını anladığınızdan emin olun.



Kullanma kılavuzunu okuyun.



Basınçlı tüp, 50°C'nin üzerindeki sıcaklıklardan (örneğin güneş ışınımı) uzak tutun. Tüüp iyi havalandırılan yerlerde saklayın.



Sadece dışarıda veya iyi havalandırılan odalarda kullanın. Gazı solumayın.



Açık alevlerin yanında kullanmayın, sıcak yüzeylere püskürtmeyin. Kullanılırken yanıcı/patlavıcı buhar-hava karışımı oluşturabilir.



Kullandıktan sonra bile tahrip etmeyin, delmeyin ve yakmayın.



Güvenlik gözlüğü takın.



Kulak koruyucuları takın.



Kazara atış yapılmasını engellemek için tespit elemanı çakılmazken parmakları tetikten uzak tutun.



Bulanlı ve bilinçsizliği önlemek için sadece havalandırılan yerlerde kullanın. Aleti asla yanıcı ortamlarda kullanmayın. Aletin çıkan gazı yanıcı malmemeleri tutuşturabilir.



iskelelerde, merdivenlerde kullanmayın.



Uyarı: sıcak yüzey!
Bu simge civarına dokunmayın. Yüze dokunmak yanıklara veya yaralanmalara neden olabilir.



Ni-MH
Li-ion

Sadece AB ülkeleri için
Elektrikli cihaz veya batarya takımını evsel atıklarla birlikte atmayın!
Atık Elektrikli ve Elektronik Cihazlar, Bataryalar ve Akümülatörler ve Atık Bataryalar ve Akümülatörler konusundaki Avrupa Direktifleri ve bunların ulusal yasalara uygulanmaları uyarınca, kullanım ömürleri biten elektrikli cihazların, bataryaların ve batarya takım(lar)ının ayrı toplanmaları ve çevreye uyumlu bir geri kazanım tesisine getirmeleri gereklidir.

Kullanım amacı

Alet, betona ince çelik levha sabitlemek için tasarlanmıştır.

Gürültü

EN ISO 11148-13 standardına göre hesaplanan tipik A-ağırlıklı gürültü düzeyi:

Ses basınç seviyesi (L_{PA}): 96 dB (A)
Ses gücü düzeyi (L_{WA}): 100 dB (A)
Belirsizlik (K): 3 dB (A)

Kulak koruyucuları takın

Titreşim

EN ISO 11148-13 uyarınca belirlenen titreşim toplam değeri:
Titreşim emisyonu (a_{hv}): 3,5 m/s²
Belirsizlik (K): 1,5 m/s²

NOT: Beyan edilen titreşim emisyon değeri standart test yöntemine uygun şekilde ölçülmüştür ve bir aleti bir başkasıyla karşılaştırmak için kullanılabilir.

NOT: Beyan edilen titreşim emisyon değeri bir ön maruz kalma değerlendirmesi olarak da kullanılabilir.

UYARI: Bu elektrikli aletin gerçek kullanım sırasındaki titreşim emisyonu aletin kullanım biçimlerine bağlı olarak beyan edilen emisyon değerinden farklı olabilir.

UYARI: Gerçek kullanım koşullarındaki maruz kalmanın bir tahmini hesaplaması temelinde operatörü koruyacak güvenlik önlemlerini mutlaka belirleyin (çalışma döngüsü içerisinde aletin kapalı olduğu ve aktif durumda olmasının yanı sıra boşta çalıştığı zamanlar gibi, bütün zaman dilimleri göz önünde bulundurularak değerlendirilmelidir).

EC Uygunluk Beyanı

Sadece Avrupa ülkeleri için

EC uygunluk beyanı bu kullanım kılavuzuna Ek A olarak eklenmiştir.

Gazlı çivi çakma tabancası güvenlik uyarıları

⚠UYARI: Tüm güvenlik uyarılarını ve tüm talimatları okuyun. Uyarı ve talimatlara uyulmaması ciddi yaralanmalara, elektrik çarpması ve/veya yangına neden olabilir.

Tüm uyarıları ve talimatları ile-ride başvurmak için saklayın.

Kişisel güvenlik ve aletin doğru çalıştırılması ve bakımı için, aleti kullanmadan önce bu kullanım kılavuzunu okuyun.

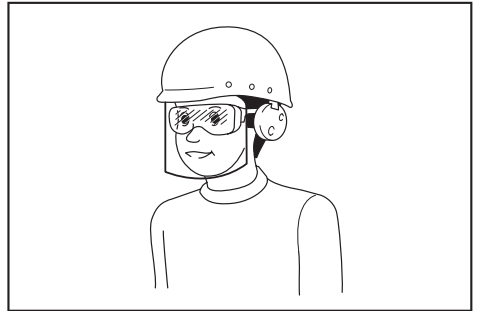
Genel güvenlik

1. Bu aletin kullanım amacı dışındaki işler için kullanılması yasaktır. Sürekli temasla etkinleştirme ya da temasla etkinleştirme moduyla kullanılabilen tespit elemanı vidalama aletleri sadece üretim uygulamasında kullanılmalıdır.
2. Aleti kullanmadığımız zaman ve bir çalışma alanından başka bir alana geçerken parmaklarınızı tetikten uzak tutun.
3. Çeşitli tehlikeler. Aletin bağlantısını yapmadan ya da bağlantısını kesmeden, yüklemeyi, çalıştırmadan, bakım yapmadan ya da aksesuarlarını değiştirmeden ve alet yakınında çalışmadan önce güvenlik talimatlarını okuyup anlamalısınız. Bunun yapılmaması ciddi fiziksel yaralanmalara neden olabilir.
4. Eller ve ayaklar gibi tüm organları aletin atış yönünden uzak tutun ve tespit elemanının iş parçasını bedeninizden kısımlarına girmesine neden olmadığından emin olun.
5. Aleti kullanırken, tespit elemanı sekebilir ve yaralanmaya sebep olabilir.
6. Aleti sıkıca kavrayın ve geri tepmeye karşı hazırlıklı olun.
7. Tespit elemanı vidalama aletini sadece teknik yeteneğe sahip operatör kullanmalıdır.
8. Tespit elemanı vidalama aletinde değişiklik yapmayın. Değişiklik yapmak güvenlik tedbirlerinin etkinliğini azaltabilir ve operatör ve/veya yakındakiler için riskleri artırabilir.
9. Kullanım kılavuzunu atmayın.
10. Alet hasarlı ise aleti kullanmayın.
11. Tespit elemanlarını tutarken, özellikle de yükleme ve boşaltma sırasında, dikkatli olun, çünkü tespit elemanlarında yaralanmaya sebep olabilecek keskin noktalar bulunur.
12. Kullanmadan önce aleti kırık, yanlış bağlanmış ya da aşınmış parçalara karşı daima kontrol edin.
13. Fazla ileriye uzanmaya çalışmayın. Sadece güvenli çalışma alanlarında kullanın. Her zaman yere sağlam basın ve dengeyi koruyun.

14. Civardaki kişileri uzağınızda tutun (insanların gelip geçme ihtimalinin yüksek olduğu yerlerde çalışırken). Çalışma alanınızı net bir şekilde işaretleyin.
15. Aleti asla kendinize ya da başkalarına doğrultmayın.
16. Aleti tutarken, çalışma alanı ya da konum değiştirirken veya yürürken parmağınızı tetiğin üstünde tutmayın; çünkü parmağın tetik üzerinde tutulması istenmeyen çalışmaya neden olabilir. Etkinleştirme modu seçilebilir olan aletlerde, doğru modun seçili olduğundan emin olmak için kullanmadan önce daima aleti kontrol edin.
17. Sadece, tetiği ve diğer ayar cihazlarını yeterli bir şekilde hissedip güvenli bir şekilde kullanmanızı sağlayacak türde eldivenler kullanın.
18. Aleti bırakırken düz bir yüzeye yerleştirin. Aletle birlikte sağlanan kancayı kullanıyorsanız aleti sağlam bir şekilde düz bir yere kancayla asın.
19. Alkollüyen, uyuşturucu ya da benzeri bir maddenin etkisindeyken çalışmayın.

Fırlama ile ilişkili tehlikeler

1. Tespit elemanları boşaltılırken, ayarlama yapılırken, sıkışıklıklar giderilirken veya aksesuarlar değiştirilirken, tespit elemanı vidalama aletinin bağlantısı kesilmelidir.
2. Çalışma sırasında, tespit elemanlarının malzemeye doğru bir şekilde girdiğinden ve sekerek yanlış ateşlenerek kullanıcıya ve/veya civardakilere yönelmeyeceğinden emin olun.
3. Çalışma sırasında, iş parçasından ve tespit elemanı/istifleme sisteminden çıkan birikintiler boşaltılabilir.
4. Elektrikli aletleri kullanırken gözlerinizi korumak için daima koruyucu gözlük kullanın. Gözlüklerin ABD'de ANSI Z87.1 ile, Avrupa'da EN 166 ile ya da Avustralya/Yeni Zelanda'da AS/NZS 1336 ile uyumlu olması gereklidir. Avustralya/Yeni Zelanda'da, yüzünüzü korumanız için yüz koruyucu maske kullanılması da yasal olarak gereklidir.



Alet operatörlerinin ve çalışma alanının yakınında çalışan diğer kişilerin uygun koruyucu güvenlik ekipmanlarını kullanmasının sağlanması, işverenin yükümlülüğündedir.

5. Diğer kişilere gelebilecek riskler operatör tarafından değerlendirilmelidir.

6. İş parçasıyla temas halinde olmayan aletleri kullanırken dikkatli olun, zira bu aletler istenmeyen bir şekilde ateşlenebilir ve operatörün ve/veya civardakilerin yaralanmasına sebep olabilir.
7. Aletin daima güvenli bir şekilde iş parçasına kenetlendiğinden ve kaymadığından emin olun.
8. Kulaklarınızı çıkan gürültüye karşı korumak için koruyucu kulaklık ve baret kullanın. Ayrıca hafif, ancak bol olmayan kıyafetler giyin. Kıyafetlerin kolları düğmeli olmalı veya yukarı kıvrılmalıdır. Kravat takılmamalıdır.

Çalışma sırasında oluşabilecek tehlikeler

1. Aleti doğru bir şekilde tutun, normal ve ani hareketlere (örn. geri tepme) karşı koymaya hazırlıklı olun.
2. Vücudunuzu dengeli bir konumda tutun ve ayağınızı yere sağlam basın.
3. Uygun emniyet gözlükleri kullanılmalıdır, uygun eldivenler ve koruyucu giysi kullanılması tavsiye edilir.
4. Uygun işitme koruması kullanılmalıdır.
5. Kullanma kılavuzunda belirtildiği gibi doğru bir enerji kaynağı kullanın.
6. Aleti hareketli platformlarda veya kamyonların arkasında kullanmayın. Ani platform hareketi aletin kontrolünün kaybedilmesine ve yaralanmaya neden olabilir.
7. Aletin her zaman bağlantı elemanı dolu olduğunu varsayın.
8. Çalışırken acele etmeyin ve aleti zorlamayın. Aleti dikkatli bir şekilde tutun.
9. Çalışırken yere sağlam basın ve aleti kullanırken dengenizi koruyun. Yüksek yerlerde çalışırken aşağıda kimse olmadığından emin olun.
10. Çatıda ve benzeri yüksek yerlerde çalışırken bağlantı elemanı vidalama işlemini ilerlediğiniz yönde gerçekleştirin. Bağlantı elemanı vidalama işlemini geriye doğru hareket ederken uygulamanız durumunda dengeni kolayca kaybedebilirsiniz. Düşey yüzeylere bağlantı elemanı vidalarken, üst taraftan başlayarak alt tarafa doğru ilerleyin. Bu şekilde vidalama işlemini daha az zorularak gerçekleştirebilirsiniz.
11. Yanlışlıkla mevcut bir bağlantı elemanın üzerine vidalarsanız veya ahsap içerisinde bir budağa denk gelerseniz, bağlantı elemanı eğilebilir veya alette sıkışma oluşabilir. Bağlantı elemanı fırlayabilir ve birisine isabet edebilir veya aletin kendisi tehlikeli bir şekilde geri tepebilir. Bağlantı elemanlarını dikkatli bir şekilde yerleştirin.
12. Aynı anda hem iç hem dış taraftan bağlantı elemanı vidalamaya çalışmayın. Bağlantı elemanları karşı tarafa geçerek ve/veya sıçrayarak ciddi tehlike oluşturabilir.

Yinelenen hareketler ile ilgili tehlikeler

1. Bir alet uzun bir dönem boyunca kullanıldığında operatör ellerinde, kollarında, omuzlarında, boynunda ya da vücudunun diğer bölümlerinde rahatsızlık hissedebilir.

2. Bir aleti kullanırken, operatör uygun ama ergonomik bir duruş seçmelidir. Ayaklarınızı yere sağlam basın ve tuhaf veya dengesiz duruşlardan kaçının.
3. Operatör sürekli ya da tekrarlayan rahatsızlık, ağrı, çarpıntı, acı, karınçalanma, uyuşma, yanma hissi veya sertleşme gibi belirtiler yaşarsa bu uyarı sinyallerini göz ardı etmemelidir. Operatör, genel faaliyetleri ile ilgili olarak nitelikli bir sağlık profesyoneline danışmalıdır.
4. Aletin sürekli kullanılması aletin oluşturduğu geri tepme nedeniyle tekrarlayıcı gerilerek zorlama yaralanmasına neden olabilir.
5. Tekrarlayan gerilme yaralanmasını engellemek için operatör ileride uzmanlamalı veya aşırı güç kullanmamalıdır. İlaveten operatör kendini yorgun hissettiğinde dinlenmelidir.
6. Tekrarlayan hareket tehlikelerine yönelik bir risk değerlendirmesi yapın. Bu değerlendirme kas-iskelet sistemi hastalıklarına odaklanmalı ve tercihen, çalışma sırasında yorgunluğun azaltılmasının hastalıkları azaltmada etkili olduğu varsayımını baz almalıdır.

Aksesuar ve sarf malzemeleriyle ilgili tehlikeler

1. İş parçası temas elemanı gibi aksesuarları değiştirilmesi ya da ayarlamalar yapılması gibi işlemlerden önce gaz tüpünü ve bataryayı çıkarın.
2. Daima sadece üretici tarafından temin edilen boyut ve türdeki aksesuarları kullanın.
3. Sadece bu kılavuzda belirtilen yağları kullanın.

Çalışma yeri ile ilişkili tehlikeler

1. Kayma, takılma ve düşmeler iş yeri yaralanmalarının önde gelen sebeplerindedir. Aletin kullanılmasından dolayı kayganlaşan yüzeylere ve hava hattı hortumuna takılma nedeniyle oluşabilecek tehlikelere karşı dikkatli olun.
2. Alışık olmadığınız ortamlarda çalışırken ekstra dikkatli olun. Elektrik ya da diğer tesisat hatları gibi gizli tehlikeler mevcut olabilir.
3. Bu alet potansiyel olarak patlayıcı atmosferlerde kullanım için tasarlanmamıştır ve elektrik hatlarıyla temasa karşı yalıtıma sahip değildir.
4. Aletin kullanımı nedeniyle hasar görebilen tehlikeye neden olabilecek elektrik kabloları, gaz boruları vb. olmadığından emin olun.
5. Çalışma alanını temiz tutun ve iyi aydınlatın. Karmakarışık veya karanlık alanlar kazalara davetiye çıkarır.
6. Gürültü seviyelerinin belirli sınırlar dahilinde tutulmasını gerektiren yerel yönetmelikler mevcut olabilir. Belirli durumlarda gürültünün absorbe edilmesi için gürültü önleyici muhafazalar kullanılmalıdır.

Toz ve çıkan gazlarla ilgili tehlikeler

1. Etrafınızdakileri daima kontrol edin. Aletten çıkan gaz, toz ve nesnelere atabilir ve bunlar operatöre ve/veya etraftakilere çarpabilir.
2. Egzozu, toz dolu bir ortamda toz müdahalesini en aza indirecek şekilde yönlendirin.
3. Çalışma alanına toz veya cisimler yayılırsa sağlık tehlikelerini ve yaralanma riskini azaltmak için yayılımı mümkün olduğunca azaltın.

Gürültü ile ilgili tehlikeler

1. Yüksek gürültü seviyelerine hiçbir koruyucu ekipman olmadan maruz kalmak kalıcı, sakat bırakıcı, işitme kayıplarına ve kulak çınlaması (kulaklarda çınlama, vızıldama, ısıklık sesi, uğuldama) gibi başka problemlere neden olabilir.
2. Çalışma alanındaki gürültü tehlikelerine yönelik bir risk değerlendirmesi yapın ve bu tehlikeler için uygun kontrolleri uygulayın.
3. Bu riski azaltmaya yönelik uygun önlemler arasında iş parçalarının "çınlamasını" önlemek için tampon malzemeler kullanılması gibi eylemler de sayılabilir.
4. Uygun bir işitme koruması kullanın.
5. Gürültü seviyesinin gereksiz yere artmasını önlemek için aleti bu talimatlarda tavsiye edilen şekilde kullanın ve aletin bakımını yapın.
6. İş parçalarını ses sönümleyici desteklerin üzerine koymak gibi gürültü azaltma önlemleri alın.

Titreşim ile ilgili tehlikeler

1. Çalışma sırasında titreşim emisyonu, kavrama gücü, temas basıncının gücü, çalışma yönü, enerji kaynağının ayarları, iş parçası ve iş parçası desteğine bağlıdır. Titreşim tehlikelerine yönelik bir risk değerlendirmesi yapın ve bu tehlikeler için uygun kontrolleri uygulayın.
2. Titreşime maruziyet sınırlarında ve el ve kolların kan akışında vazifeden alıkoyan hasara neden olabilir.
3. Soğuk koşullarda çalışırken ılık tutacak giysiler giyin, ellerinizi sıcak ve kuru tutun.
4. Uyuşma, karıncalanma, ağrı, parmaklarda veya ellerde ciltte beyazlaşma görülmesi gibi belirtiler yaşarsanız, genel faaliyetlerle ilgili olarak hemen nitelikli bir sağlık profesyonelinden tıbbi tavsiye alın.
5. Titreşim seviyesinin gereksiz yere artmasını önlemek için aleti bu talimatlarda tavsiye edilen şekilde kullanın ve aletin bakımını yapın.
6. Aleti hafif ama sağlam bir şekilde tutun; çünkü kavrama gücü çok yüksek olduğunda oluşabilecek titreşim riski de daha yüksek olur.

Gazlı aletler için ek güvenlik kuralları

1. Aleti sadece orijinal Makita gaz tüpü ile kullanın.
2. Gazlı aletleri kullanırken, alet ısınarak kavrama ve kontrolü etkileyebileceğinden dolayı dikkatli olun.
3. Gazlı tespit elemanı çakma aletleri havalandırılan yerlerde kullanılmalıdır.
4. Sıvı yanıcı gazın insan cildine temas etmesi durumunda yaralanma olabilir.
5. Gaz tüpleri, gerekli taşımacılık mevzuatına göre etiketlenmelidir.
6. Gaz tüplerini dikkatli kullanın ve hasarlara karşı kontrol edin. Hasarlı gaz tüpleri patlayabilir ve yaralanmaya neden olabilir.
7. Gaz tüpü ile verilen talimatları okuyun ve bunlara uyun.
8. Yanıcı malzemelerin, çıkan sıcak gazlara maruz kalmadığından emin olun.

9. Alette üretilen kıvılcıklar yangın veya patlamaya neden olabileceğinden gazlı aletleri patlayıcı alanlarda kullanmayın.
10. Gaz tüpleri dikkatsizce veya yüksek sıcaklıkta saklanmamalıdır. Gaz tüpleri ve bataryalar veya akülerin kullanımı ve bertarafı için yerel düzenlemeleri ve gaz tüpünün talimatlarını izleyin.
11. Gazlı aletler için, normal çalışma sonucu az miktarda gaz salımı olabilir.

Bataryalı aletin kullanımı ve bakımı

1. Sadece üretici tarafından belirtilen şarj aleti ile şarj edin. Bir batarya kutusu için uygun olan şarj cihazı başka bir batarya kutusu ile kullanıldığında yangın riski oluşturabilir.
2. Elektrikli aletleri sadece özel olarak belirtilen batarya kutuları ile kullanın. Başka batarya kutularının kullanımı yaralanma ve yangın riski oluşturabilir.
3. Batarya kutusu kullanılmadığında; iki terminal arasında bağlantı kurulmasına sebep olabilecek ataç, bozuk para, anahtar, çivi, vida gibi metal nesnelere ya da küçük metal objelere uzak tutun. Batarya terminallerine kısa devre yaptırmak yanıklara ya da yangına yol açabilir.
4. Kötü koşullarda bataryadan sıvı sızabilir; bu sıvıya temas etmeyin. Eğer istemediğiniz temas olursa suyla yıkayın. Sıvı göze temas ederse, suyla yıkadıktan sonra tıbbi yardım alın. Bataryadan çıkan sıvı tahrişe ya da yanıklara neden olabilir.
5. Batarya kutusu ya da alet hasar görmüşse ya da üzerinde değişiklik yapılmışsa batarya kutusunu kullanmayın. Hasar görmüş ya da üzerinde değişiklik yapılmış batarya kutuları yangın, patlama ya da yaralanma riski ile sonuçlanan beklenmedik davranışlar sergileyebilir.
6. Batarya kutusunu veya aleti ateşe ya da aşırı sıcaklıklara maruz bırakmayın. Ateşe ya da 130 °C'nin üzerindeki sıcaklıklara maruz bırakmak patlamaya neden olabilir.
7. Tüm şarj talimatlarına uyun ve batarya kutusunu ya da aleti yönergelerde belirtilen sıcaklık aralığının dışındaki sıcaklıklarda şarj etmeyin. Uygun olmayan bir şekilde ya da belirtilen sıcaklık aralığının dışında şarj etmek bataryaya zarar verebilir ve yangın riskini artırabilir.

Güvenlik aygıtları

1. Çalışmaya başlamadan önce tüm güvenlik sistemlerinin çalışır durumda olduğundan emin olun. Alet yalnızca anahtar tetik çekilerek veya yalnızca temas kolu aışap malzemeye dayanılarak çalıştırılmamalıdır. Aleti çalıştırmak için iki işlem aynı anda uygulanmalıdır. Aletin doğru şekilde çalışıp çalışmadığını bağlantı elemanları tamamen boşaltılmış ve itici tam çekilmiş konumdayken test edin.
2. Tetiğin AÇIK konuma sabitlenmesi de oldukça tehlikelidir. Tetiği asla sabitlemeye çalışmayın.
3. Bant veya tel kullanarak temas elemanını basılı durumda sabitlemeye çalışmayın. Ölüm veya ciddi yaralanmalar meydana gelebilir.
4. Temas elemanını daima bu kılavuzda açıkladığı şekilde kontrol edin. Güvenlik mekanizması doğru şekilde çalışmazsa bağlantı elemanları kazara fırlatılabilir.

Servis

1. **Temizleme ve bakım işlemlerini alet ile çalışmanız bittikten hemen sonra gerçekleştirin.** Aleti daima en iyi durumda tutun. Paslanmayı önlemek ve sürtünmeye bağlı aşınmayı minimum seviyeye düşürmek için hareketli parçaları yağlayın. Parçalardaki tüm tozu temizleyin.
2. **Aletin periyodik kontrolü için Makita yetkili servis merkezinden yardım isteyin.**
3. **Ürünün EMNİYET ve GÜVENLİRLİĞİNİ muhafaza etmek için bakım ve tamir işlemleri daima Makita yedek parçaları kullanılarak Makita yetkili servis merkezleri tarafından yapılmalıdır.**
4. **Aleti elden çıkarırken yerel düzenlemelere uyunuz.**

BU TALİMATLARI MUHAFAZA EDİNİZ.

⚠UYARI: Ürünü kullanırken (defalarca kullanınca kazanılan) rahatlık ve tanıdıklık duygusunun ilgili ürünün güvenlik kurallarına sıkı sıkıya bağlı kalmanın yerine geçmesine İZİN VERMEYİN. YANLIŞ KULLANIM veya bu kullanma kılavuzunda belirtilen emniyet kurallarına uymama ciddi yaralanmaya neden olabilir.

Batarya kartuşu hakkında önemli güvenlik talimatları

1. **Batarya kartuşunu kullanmadan önce, tüm talimatları ve (1) batarya kartuşu, (2) batarya ve (3) ürün üzerindeki tüm uyarı işaretlerini okuyun.**
2. **Batarya kartuşunu demonte etmeyin.**
3. **Çalışma süresi aşırı derecede kısalmışsa kullanmayı derhal bırakın. Aşırı ısınma, yanma riski hatta patlamaya neden olabilir.**
4. **Gözünüze elektrolit kaçarsa, gözlerinizi temiz suyla durulayın ve hemen tıbbi yardım alın. Görme kaybına yol açabilir.**
5. **Batarya kartuşuna kısa devre yaptırmayın:**
 - (1) Terminallere herhangi bir iletken madde değiştirmeyin.
 - (2) Batarya kartuşunu çiviler, madeni paralar, vb. gibi başka metal nesnelere aynı kaba koymaktan kaçının.
 - (3) Batarya kartuşunu yağmura ya da suya maruz bırakmayın.**Kısa devre, büyük bir akım akışına, aşırı ısınmaya, olası yanıklara hatta bataryanın bozulmasına yol açabilir.**
6. **Aleti ve batarya kartuşunu sıcaklığın 50°C ya da daha yükseğe ulaştığı yerlerde saklamayın.**
7. **Aşırı derecede hasar görmüş ya da tamamen kullanılamaz durumda olsa bile batarya kartuşunu yakmayın. Batarya kartuşu ateşe atılırsa patlayabilir.**
8. **Bataryayı düşürmemeye ve çarpmamaya dikkat edin.**
9. **Hasarlı bataryayı kullanmayın.**

10. **Aletin içerdiği lityum-iyon bataryalar Tehlikeli Eşyalar Yönetmeliğinin gereksinimlerine tabidir.**

Ticari nakliye işlemleri için, örneğin üçüncü taraflar, nakliye acenteleri tarafından yapılan nakliyelerde, paketleme ve etiketleme gereksinimlerine uyulmalıdır.

Nakliyesi yapılacak ürünün hazırlanması için, tehlikeli maddeler konusunda uzman bir kişiye danışın. Lütfen muhtemelen daha ayrıntılı olan ulusal yönetmeliklere de uyun.

Açık kontakları bantlayın ya da maskeleyin ve bataryayı paketin içinde hareket etmeyecek şekilde paketleyin.
11. **Batarya kartuşunu bertaraf ederken aletten çıkarın ve güvenli bir yerde bertaraf edin. Bataryanın bertaraf edilmesi ile ilgili yerel düzenlemelere uyunuz.**
12. **Bataryaları sadece Makita tarafından belirtilen ürünlerle kullanın.** Bataryaların uyumsuz ürünlere takılması; yangın, aşırı ısınma, patlama ya da elektrolit sızıntısına neden olabilir.
13. **Alet uzun süre kullanılmayacaksa batarya aletten çıkarılmalıdır.**

BU TALİMATLARI MUHAFAZA EDİNİZ.

⚠DİKKAT: Sadece orijinal Makita bataryalarını kullanın. Orijinal olmayan Makita bataryaları ya da üzerine değişiklik yapılmış bataryaların kullanımı bataryanın patlamasına ve sonuç olarak yangın, kişisel yaralanma ve hasara neden olabilir. Ayrıca Makita aleti ve şarj aletinin Makita tarafından sunulan garantisi de geçersiz olur.

Maksimum batarya ömrü için ipuçları

1. **Batarya kartuşunu tamamen boşalmadan önce şarj edin. Aletin gücünün zayıflamaya başladığını fark ettiğinizde aleti durdurun ve batarya kartuşunu şarj edin.**
2. **Tam dolu bir batarya kartuşunu asla yeniden şarj etmeyin. Aşırı şarj etme bataryanın hizmet ömrünü kısaltır.**
3. **Batarya kartuşunu 10°C - 40°C oda sıcaklığında şarj edin. Sıcak bir batarya kartuşunu şarj etmeden önce soğumasını bekleyin.**

Çivi çakma tabancasına genel bakış

- Şek.1: 1. Yakıt kapağı 2. Tetik 3. Hazne 4. İtici mandal 5. İtici düğme 6. Temas elemanı 7. Gaz çıkış deliği 8. Lamba 9. Gösterge lambası 10. Batarya kartuşu

İŞLEVLERİN AÇIKLANMASI

⚠️ DİKKAT:

- Alet üzerinde ayarlama ya da çalışma kontrolü yapmadan önce mutlaka gaz tüpü, batarya kartuşu ve çivilerin çıkarılmış olduğundan emin olun.

Batarya kartuşunun takılması veya çıkarılması

⚠️ DİKKAT:

- Batarya kartuşunu takmadan ya da çıkarmadan önce aleti daima kapatın.
- **Batarya kartuşunu takarken veya çıkarırken aleti ve batarya kartuşunu sıkıca tutun.** Aletin ve batarya kartuşunun sıkıca tutulmaması bunların elinizden kayarak düşmesi sonucu aletin ve batarya kartuşunun hasar görmesine ve yaralanmaya neden olabilir.

► Şek.2: 1. Batarya kartuşu

Batarya kartuşunu takmak için, batarya kartuşu ön şekli, batarya yerleştirme açıklığına denk gelecek şekilde batarya kartuşunu tutun ve yerine oturtun. Kartuşu, küçük bir tık sesi ile yerine sabitlenene dek sonuna kadar itirin.

► Şek.3: 1. Batarya kartuşu 2. Düğme

Batarya kartuşunu çıkarmak için, kartuşun her iki tarafına bastırarak kartuşu aletten çıkarın.

⚠️ DİKKAT:

- Batarya kartuşunu daima yerine tam kilitlenene kadar itin. Aksi takdirde, aletin üzerinden kazara düşerek sizin ya da çevrenizdekilerin yaralanmasına neden olabilir.
- Batarya kartuşunu zorlayarak takmaya çalışmayın. Kartuş kolayca kaymıyorsa doğru yerleştirilmemiş demektir.

Lambaların yakılması

⚠️ DİKKAT:

- Işığa ya da ışığın kaynağına doğrudan bakmayın.

► Şek.4: 1. Lamba düğmesi

Lambayı açmak için, lamba düğmesine basın. Lambayı kapatmak için lamba düğmesine yeniden basın.

Gaz tüpü

Gaz tüpüne dozaj valfinin takılması

► Şek.5: 1. Dozaj valfi 2. Başlık

Başlığı çıkarın (dozaj valfi başlıklı olarak sağlanmışsa).

► Şek.6

Ön kenara bastırarak içeri sokun.

► Şek.7

Arka kenara oturana dek bastırarak içeri sokun.

Gaz tüpünün takılması

► Şek.8

Yakıt kapağını yukarı ittirip çekerek açın.

► Şek.9: 1. Meme

Gaz tüpünü, dozaj valfinin memesini adaptöre doğru yönlendirerek takın.

► Şek.10

Memeyi, adaptörün küçük deliğine düzgün bir şekilde takın.

► Şek.11

Yakıt kapağını dozaj valfinin üzerine yerleştirin ve aşağı doğru bastırarak kilitleyin.

Çivi çakma derinliğinin ayarlanması

⚠️ DİKKAT:

- Çivi çakma derinliğinin ayarlamadan önce gaz tüpü, batarya kartuşu ve çivileri çıkarın.

► Şek.12: 1. Ayar düğmesi

Daha yüzeysel derinlik elde etmek için ayar düğmesini şekilde gösterildiği gibi sağa doğru çevirin. Daha derin derinlik elde etmek için ayar düğmesini sola doğru çevirin.

Ayar düğmesini çok fazla çevirmeyin, aksi takdirde ayar düğmesi sıkışabilir.

Gösterge lambası

Gösterge lambasının rengi şunları ifade eder.

Yanıp sönen yeşil: Normal durum

Yanıp sönen kırmızı: Batarya kartuşunun şarj edilmesi gerekiyor

Yanan kırmızı: Batarya kartuşunu şarj edin. Batarya kapasitesi kalmadığında çivi çakma işlemi yapılamaz.

Yanıp sönen turuncu: Etraflıca temizlik tavsiye edilir.

Aletin içini etraflıca temizlemek için "BAKIM" kısmına bakın. Turuncu yanıp sönen gösterge lambasını sıfırlamak için temas elemanını beş saniye bastırın ve ardından temas elemanına beş kez bastırın.

Dönüşümlü olarak yeşil ve kırmızı yanıp söndükten sonra yanıp sönen turuncu: Arıza saptaması çalışıyor. Sıfırlamak için batarya kartuşunu çıkarıp yeniden takın. Arıza saptaması yeniden çalışırsa arıza durumu söz konusudur. Yerel Makita servis merkezimize tamir ettirin.

Kanca

⚠️ DİKKAT: Aleti asarken her zaman batarya kartuşunu çıkarın. Aleti kemerinize asmayın.

► Şek.13: 1. Kanca

Kanca, aleti geçici olarak asmak için kullanışlıdır.

Kanca, aletin nereye asılacağına bağlı olarak iki konuma ayarlanabilir.

Kanca konumunu değiştirmek için her iki taraftan ayaklarını içeri bastırın ve diğer konuma geçin.

MONTAJ

⚠️ DİKKAT:

- Alet üzerinde herhangi bir işlem yapmadan önce mutlaka gaz tüpünü ve batarya kartuşunu çıkarın.

Çivi çakma tabancasının yüklenmesi

► Şek.14: 1. Düğme

Haznenin arka kısmındaki aralığa çivi şeridini sokun. Çiviler, çivi durdurucu nedeniyle haznenin girişinde durur. Çivileri sokmak için çivi durdurucu düğmesine basarak haznenin kilidini açın.

► Şek.15: 1. İtici mandal

İtici düğmeye basarken itici mandalı haznenin arkasına doğru sonuna kadar çekin. Ardından itici düğmeyi serbest bırakın ve itici mandalı hafifçe şeridin sonuna doğru geri getirin.

Çivilerin çıkarılması

► Şek.16: 1. İtici mandal 2. Çivi durdurucu

İtici mandalı çekin ve çivi durdurucuyu serbest bırakmak için itici düğmeye bastırın ve ardından itici düğmeye basarak itici mandalı üst kısma geri getirin. Çivileri haznenin arkasına doğru kaydırın. Çiviler, çivi durdurucu nedeniyle haznenin girişinde durur. Çivileri çıkarmak için çivi durdurucu düğmesine basarak haznenin kilidini açın.

Haznenin değiştirilmesi (isteğe bağlı aksesuarlar)

► Şek.17: 1. Cıvata

Farklı uzunluktan bir hazne, isteğe bağlı aksesuar olarak mevcuttur.

Hazneyi değiştirmek için, cıvatayı gevşetin ve hazneyi çıkarın. Ardından yeni hazneyi takın. Ve haznenin üzerindeki cıvatayı sıkın.

KULLANIM

⚠️ UYARI:

- **Gaz çıkış deliği civarına dokunmayın.** Kullanım sırasında ve sonrasında yüzey çok sıcak olacaktır. Gaz çıkış deliği civarına dokunmak yanıklara veya yaralanmalara neden olabilir.

⚠️ DİKKAT:

- Kullanmadan önce tüm güvenlik sistemlerinin çalışır durumda olduğundan emin olun.

Kullanmadan önce aletin doğru çalıştığına kontrol edilmesi

Kullanmadan önce, daima aşağıdaki noktaları kontrol edin.

- Aletin sadece batarya kartuşu ve gaz tüpü takılıncaya çalışmadığından emin olun.
- Aletin sadece tetik çekilince çalışmadığından emin olun.
- Aletin tetik çekilmeden sadece temas elemanı iş parçasının üzerine yerleştirilince çalışmadığından emin olun.
- Aletin önce tetik çekilip ardından da temas elemanı iş parçasının üzerine yerleştirilince çalışmadığından emin olun.

Çivilerin çakılması

► Şek.18

1. Bir çivi çakmak için, temas elemanını iş parçasına dayayın.
Fan motoru devreye girer, yakıt gazı yanma odasına püskürtülür ve fan tarafından hava ile karıştırılır.

► Şek.19: 1. Tetik

2. Sıkıca bastırarak temas elemanını tutun ve tetiği çekin. Yakıt gazı yanar ve çivi çakılır.
3. İlave çivi çakmaya yalnızca hem temas elemanı hem de tetik serbest bırakıldıktan sonra başlanabilir.

Betona çivi çakma

⚠️ UYARI:

- Beton için sadece sertleştirilmiş çiviler kullanın. Başka amaçlı çiviler kullanılması ciddi yaralanmalara neden olabilir. Doğrudan betona çivi çakmayın. Aksi takdirde kopan beton parçalarının veya çivilerin geri fırlamasına neden olarak, ciddi yaralanmalara yol açabilir.
- Çivi çakarken, aleti çakma yüzeyine dik şekilde tutun. Eğik tutarak çivi çakma kopan beton parçalarının veya çivilerin geri fırlamasına neden olarak, ciddi yaralanmalara yol açabilir.
- Aleti kanalizasyon borusu, toz borusu, vb. askılarının monteli olduğu alanlar gibi nesnelere sarıldığı yüzeylerde kullanmayın.

⚠️ DİKKAT:

- Bu aleti sadece yakın zamanda dökülmüş yumuşak betonlarda kullanın. Sert betonda kullanılmak, çivilerin eğilmesine veya yeterli derinlikte çivi çakma yapılamamasına neden olabilir.
- Betona 20 mm'den daha fazla girilmesi gereken durumlarda yeterli uzunlukta çivi çakma elde edilemez. Çiviler çok yüzeysel çakılarak dengersiz iş parçasına neden olabilir, bu da yaralanma veya maddi hasara yol açabilir.
- Doğrudan çelik ve beton gibi sert yüzeylere çivi çakarken kaymayı önlemek için temas elemanını iş parçasına iyice dayayın.

Betona girme miktarı 15 mm - 20 mm aralığında olacak şekilde uygun çiviler seçin ve kullanın.

- Şek.20: 1. İnce çelik levha 2. Betona girme miktarı

Boş çalıştırmaya karşı koruma mekanizması

Bu mekanizma aletin çivisiz ateşlenmesini engeller. Boş çalışma engellemesi, kalan çivi 2-3 adede düştüğünde otomatik olarak çalışır.

Sıkışan çivi çakma tabancası

⚠UYARI:

- Bir sıkışmayı gidermeden önce gaz tüpünü ve batarya kartuşunu mutlaka çıkarın.

⚠DİKKAT:

- Deforme olmuş çivileri veya çivi şeritlerini kullanmayın. Aksi takdirde yetersiz çivi beslenmesine neden olur.

Çivi çıkarma prosedürünü izleyerek sıkışan çivileri çıkarın.

► Şek.21: 1. Hazne

Gaz tüpü, batarya kartuşu ve çivileri çıkarın. Haznenin üzerindeki civatayı gevşetin. Hazneyi sökün ve sıkışan çivileri çıkarın.

► Şek.22

Yukarıdaki yöntem uygulanarak çiviler çıkarılamazsa şunu yapın.

Çıkış deliğine küçük bir çubuk veya benzeri bir araç sokun ve sıkışan çivileri çıkış deliğinden çıkarmak için çubuğa bir çekiç ile vurun.

► Şek.23: 1. Alt sürücü kılavuzu 2. Cıvata

► Şek.24

Çivi hala çıkış deliğinde kalırsa şunu yapın. Çıkış deliği üzerindeki civataları altıgen anahtar ile gevşetin. Alt sürücü kılavuzunu çıkarın. Ve sıkışan çivileri çıkarın. Sıkışan çiviler çıkarıldıktan sonra alt sürücü kılavuzunu yerine takın ve civataları sıkın. Hazneyi yerine takın ve civatayı sıkın.

BAKIM

⚠DİKKAT:

- Kontrol veya bakım yapmaya çalışmadan önce gaz tüpü, batarya kartuşu ve çivileri mutlaka çıkarın.
- Keskinlikle benzin, tiner, alkol veya benzeri maddeler kullanmayın. Renk değişimi, deformasyon veya çatlaklara neden olabilir.

Günlük çalışma sonrası bakım

Çalıştırmadan önce aletin genel durumunu ve gevşemişi vida olup olmadığını kontrol edin. Gerekirse, gevşeyen vidaları sıkın.

Günlük çalışma sonunda mesai sonu rutini uygulayın. Bu basit adımlar, aletin güvenliğini ve performansını korumak amaçlıdır.

İş sahasını terk etmeden önce:

- Batarya kartuşunu çıkarın ve alet taşıma çantasında saklayın. Aleti taşımak ve saklamak için daima alet taşıma çantasını kullanın.
- Tüm boş gaz tüplerini çocuklar tarafından bulunmayacak, ezilmeyecek, delinmeyecek veya yakılmayacak şekilde bertaraf edin.

Eve geldiğinizde:

- Kırmızı gösterge lambası ile gösterildiği üzere şarj gerektiriyorsa batarya kartuşunu şarj aletine takın.
- Aleti temiz, yumuşak bir bezle silin.
- Filtreyi kontrol edin ve tozlu ise temizleyin.

Hava filtresinin temizlenmesi

► Şek.25: 1. Filtre kapağı

► Şek.26: 1. Filtre kapağı 2. Filtre

Filtre kapağını, hafifçe yukarı doğru bastırarak çıkarın. Ardından filtreyi tek hareketle çekip çıkarın.

Tozları atmak için filtreye hafifçe vurun. Sabun ve su, filtreyi neredeyse yeniyimşi gibi yapar.

Ürün GÜVENLİĞİNİ ve GÜVENİLİRLİĞİNİ korumak için onarımlar, her türlü bakım ve ayarlama işlemleri daima Makita yedek parçaları kullanılarak Makita yetkili servis merkezleri tarafından yapılmalıdır.

Baştan aşağı temizlik

Sık sık boş ateşleme olursa aletin baştan aşağı temizlenmesi gerekiyor demektir.

Ayrıntılar için beraberindeki temizlik kılavuzuna bakın ve temizliği gerçekleştirin.

Temizlik ile ilgili her türlü sorunuz için lütfen yerel Makita Servis Merkezimize başvurun.

İSTEĞE BAĞLI AKSESUARLAR

⚠DİKKAT:

- Bu aksesuarlar ve ek parçalar bu el kitabında belirtilen Makita aletiniz ile kullanılmak için tavsiye edilmektedir. Başka her türlü aksesuar veya ek parça kullanımı yaralanma riski teşkil edebilir. Aksesuar ya da ek parçayı yalnızca belirtilmiş olan kullanım amacına uygun olarak kullanın.

Bu aksesuarlarla ilgili daha fazla bilgiye ihtiyaç duyarsanız yerel Makita Servis Merkezimize başvurun.

- Çiviler
- Hazne
- Güvenlik gözlüğü
- Gaz tüpü
- Temizlik seti
- Makita orijinal batarya ve şarj aleti

NOT:

- Listedeki parçaların bazıları alet paketi içerisinde standart aksesuar olarak yer alıyor olabilir. Bunlar ülkeden ülkeye farklılık gösterebilir.

Makita Europe N.V. Jan-Baptist Vinkstraat 2,
3070 Kortenberg, Belgium

Makita Corporation 3-11-8, Sumiyoshi-cho,
Anjo, Aichi 446-8502 Japan

www.makita.com

885157B993
EN, FR, DE, IT, NL,
ES, PT, DA, EL, TR
20190509