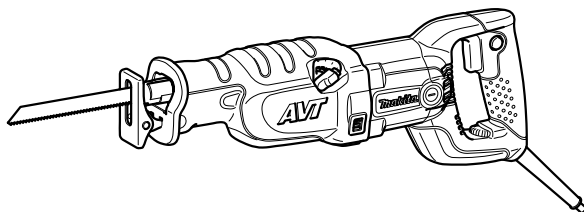




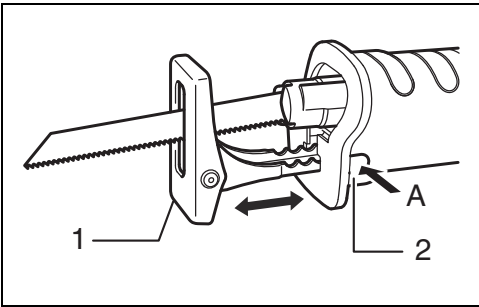
<b>GB</b>	<b>Recipro Saw</b>	<b>Instruction manual</b>
<b>F</b>	<b>Scie recipro</b>	<b>Manuel d'instructions</b>
<b>D</b>	<b>Reciprosäge</b>	<b>Betriebsanleitung</b>
<b>I</b>	<b>Seghetto diritto</b>	<b>Istruzioni per l'uso</b>
<b>NL</b>	<b>Reciprozaag</b>	<b>Gebruiksaanwijzing</b>
<b>E</b>	<b>Sierra de sable</b>	<b>Manual de instrucciones</b>
<b>P</b>	<b>Serra de sabre</b>	<b>Manual de instruções</b>
<b>DK</b>	<b>Bajonetsav</b>	<b>Brugsanvisning</b>
<b>GR</b>	<b>Παλινδρομικό πριόνι</b>	<b>Οδηγίες χρήσης</b>

# JR3060T JR3070CT



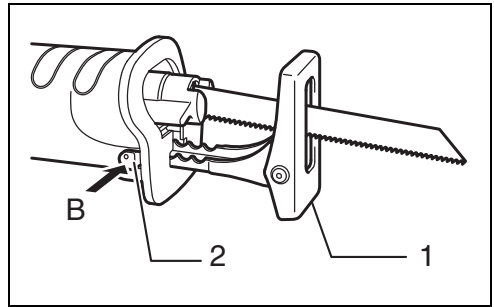
006023





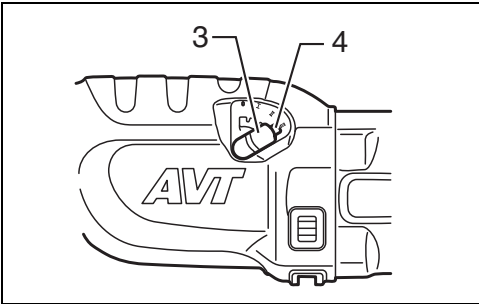
1

005784



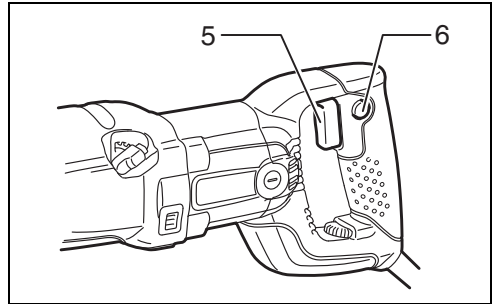
2

005785



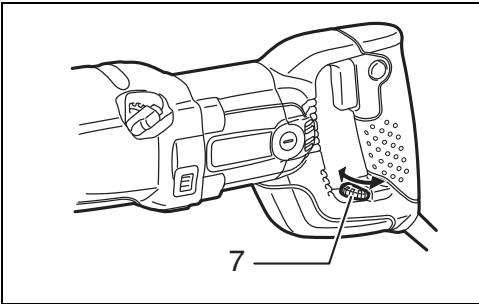
3

006024



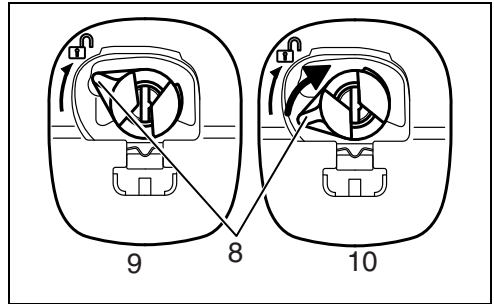
4

006185



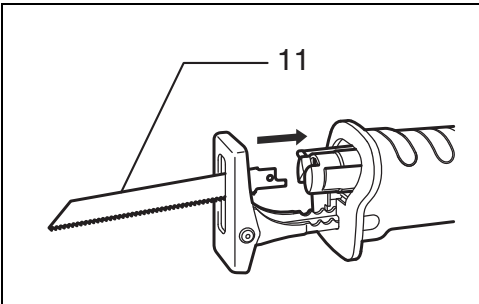
5

006025



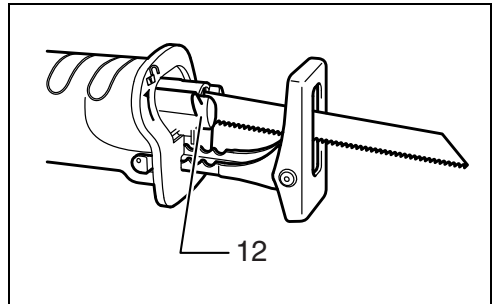
6

005787



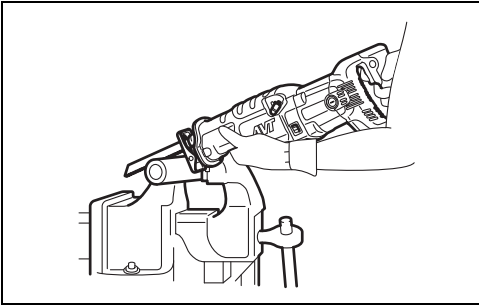
7

005788



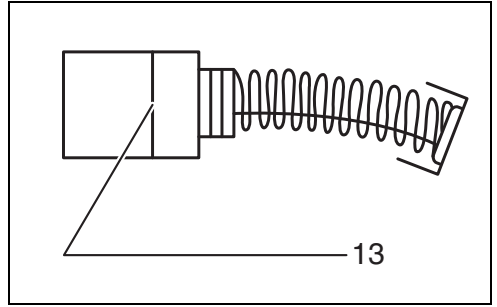
8

006665



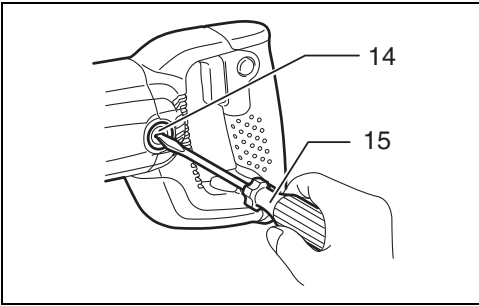
9

006186



10

001145



11

006187

## ENGLISH (Original instructions)

### Explanation of general view

1 Shoe	6 Lock button	11 Blade
2 Shoe button	7 Adjusting dial	12 Blade clamp lever
3 Lever	8 Blade clamp sleeve	13 Limit mark
4 Stopper	9 Released position	14 Brush holder cap
5 Switch trigger	10 Fixed position	15 Screwdriver

## SPECIFICATIONS

Model	JR3060T	JR3070CT
Length of stroke	32 mm	
Max. cutting capacities	Pipe	130 mm
	Wood	255 mm
Strokes per minute (min <sup>-1</sup> )	0 - 2,800	
Overall length	485 mm	
Net weight	4.4 kg	4.6 kg
Safety class	□/II	

- Due to our continuing program of research and development, the specifications herein are subject to change without notice.
- Specifications may differ from country to country.
- Weight according to EPTA-Procedure 01/2003

### Intended use ENE021-1


The tool is intended for sawing wood, plastic, metal and building materials with a strong impact. It is suitable for straight and curved cutting.

### Power supply ENF002-2

The tool should be connected only to a power supply of the same voltage as indicated on the nameplate, and can only be operated on single-phase AC supply. They are double-insulated and can, therefore, also be used from sockets without earth wire.

## General Power Tool Safety Warnings

GEA010-1

 **WARNING** Read all safety warnings and all instructions. Failure to follow the warnings and instructions may result in electric shock, fire and/or serious injury.

## Save all warnings and instructions for future reference.

## RECIPRO SAW SAFETY WARNINGS

GEB008-6

1. **Hold power tool by insulated gripping surfaces, when performing an operation where the cutting accessory may contact hidden wiring or its own cord.** Cutting accessory contacting a "live" wire may make exposed metal parts of the power tool "live" and could give the operator an electric shock.
2. **Use clamps or another practical way to secure and support the workpiece to a stable platform.** Holding the work by hand or against your body leaves it unstable and may lead to loss of control.
3. **Always use safety glasses or goggles. Ordinary eye or sun glasses are NOT safety glasses.**
4. **Avoid cutting nails. Inspect workpiece for any nails and remove them before operation.**
5. **Do not cut oversize workpiece.**
6. **Check for the proper clearance beyond the workpiece before cutting so that the blade will not strike the floor, workbench, etc.**
7. **Hold the tool firmly.**
8. **Make sure the blade is not contacting the workpiece before the switch is turned on.**
9. **Keep hands away from moving parts.**
10. **Do not leave the tool running. Operate the tool only when hand-held.**
11. **Always switch off and wait for the blade to come to a complete stop before removing the blade from the workpiece.**
12. **Do not touch the blade or the workpiece immediately after operation; they may be extremely hot and could burn your skin.**
13. **Do not operate the tool at no-load unnecessarily.**
14. **Always use the correct dust mask/respirator for the material and application you are working with.**
15. **Some material contains chemicals which may be toxic. Take caution to prevent dust inhalation and skin contact. Follow material supplier safety data.**

**SAVE THESE INSTRUCTIONS.**

**WARNING:**

**DO NOT** let comfort or familiarity with product (gained from repeated use) replace strict adherence to safety rules for the subject product. **MISUSE** or failure to follow the safety rules stated in this instruction manual may cause serious personal injury.

**FUNCTIONAL DESCRIPTION****CAUTION:**

- Always be sure that the tool is switched off and unplugged before adjusting or checking function on the tool.

**Adjusting the shoe (Fig. 1 & 2)**

When the blade loses its cutting efficiency in one place along its cutting edge, reposition the shoe to utilize a sharp, unused portion of its cutting edge. This will help to lengthen the life of the blade. To reposition the shoe, push the shoe button in the "A" direction with a click and reposition as shown in the figure which allows you to make five-way adjustment. To secure the shoe, push the shoe button in the "B" direction with a click.

**Selecting the cutting action (Fig. 3)**

This tool can be operated with an orbital or a straight line cutting action. The orbital cutting action thrusts the blade forward on the cutting stroke and greatly increases cutting speed.

To change the cutting action, press the stopper and turn the lever to the desired cutting action position. Then, release the stopper to lock the lever. Refer to the table to select the appropriate cutting action.

**NOTE:**

- Orbital action means that the saw blade moves up and down, and back and forth at the same time. This increases the efficiency of cutting.

Position	Cutting action	Applications
0	Straight line cutting action	For cutting mild steel, stainless steel and plastics. For clean cuts in wood and plywood.
I	Small orbit cutting action	For cutting mild steel, aluminum and hard wood.
II	Medium orbit cutting action	For cutting wood and plywood. For fast cutting in aluminum and mild steel.
III	Large orbit cutting action	For fast cutting in wood and plywood.

002525

**Switch action (Fig. 4)****CAUTION:**

- Before plugging in the tool, always check to see that the switch trigger actuates properly and returns to the "OFF" position when released.

To start the tool, simply pull the switch trigger. Tool speed is increased by increasing pressure on the switch trigger. Release the switch trigger to stop. For continuous operation, pull the switch trigger and then push in the lock button.

To stop the tool from the locked position, pull the switch trigger fully, then release it.

**Speed adjusting dial (For JR3070CT) (Fig. 5)**

The strokes per minute can be adjusted just by turning the adjusting dial. This can be done even while the tool is running. The dial is marked 1 (lowest speed) to 6 (full speed). Turn the adjusting dial without positive stops between 1 and 6 according to your work.

Refer to the table to select the proper speed for the workpiece to be cut. However, the appropriate speed may differ with the type or thickness of the workpiece. In general, higher speeds will allow you to cut workpieces faster but the service life of the blade will be reduced.

Number on adjusting dial	Strokes per minute
6	2,800
5	2,500
4	1,850
3	1,400
2	1,000
1	950

006574

Workpiece to be cut	Number on adjusting dial
Wood	6
Autoclaved lightweight concrete	5 - 6
Mild steel	3 - 4
Aluminum	3 - 5
Plastics	1 - 4
Stainless steel	1 - 2

006584

**NOTE:**

- If the tool is operated continuously at low speeds for a long period of time, the operation life of the motor will be reduced.
- The speed adjusting dial can be turned only as far as 6 and back to 1. Do not force it past 6 or 1, or the speed adjusting function may no longer work.

The tools equipped with electronic function are easy to operate because of the following features.

## Constant speed control

Electronic speed control for obtaining constant speed. Possible to get fine finish, because the rotating speed is kept constant even under load condition.

## Soft start feature

Safety and soft start because of suppressed starting shock.

# ASSEMBLY



### CAUTION:

- Always be sure that the tool is switched off and unplugged before carrying out any work on the tool.

## Installing or removing the saw blade

### CAUTION:

- Always clean out all chips or foreign matter adhering to the blade, blade clamp and/or slider. Failure to do so may cause insufficient tightening of the blade, resulting in a serious injury.


To install the saw blade, always make sure that the blade clamp lever is in released position  on the insulation cover before inserting the saw blade. If the blade clamp lever is in fixed position, rotate the blade clamp lever in the direction of the arrow so that it can be locked at the released position . (Fig. 6)

Insert the saw blade into the blade clamp as far as it will go. The blade clamp lever rotates and the saw blade is fixed. Make sure that the saw blade cannot be extracted even though you try to pull it out. (Fig. 7)



### NOTE:

- If you do not insert the saw blade deep enough, the saw blade may be ejected unexpectedly during operation. This can be extremely dangerous.

If the lever is positioned inside the tool, switch on the tool just a second to let the blade out as shown in the figure. Switch off and unplug the tool from the mains.

To remove the saw blade, rotate the blade clamp lever in the direction of the arrow fully. The saw blade is removed and the blade clamp lever is fixed at the released position . (Fig. 8)

### NOTE:

- Keep hands and fingers away from the lever during the switching operation. Failure to do so may cause personal injuries.
- If you remove the saw blade without rotating the blade clamp lever fully, the lever may not be locked in the released position . In this case, rotate the blade clamp lever fully again, then make sure that the blade clamp lever locked at the released position .

# OPERATION (Fig. 9)

### CAUTION:

- Always press the shoe firmly against the workpiece during operation. If the shoe is removed or held away from the workpiece during operation, strong vibration and/or twisting will be produced, causing the blade to snap dangerously.

- Always wear gloves to protect your hands from hot flying chips when cutting metal.
- Be sure to always wear suitable eye protection which conforms with current national standards.
- Always use a suitable coolant (cutting oil) when cutting metal. Failure to do so will cause premature blade wear.

Press the shoe firmly against the workpiece. Do not allow the tool to bounce. Bring the blade into light contact with the workpiece. First, make a pilot groove using a slower speed. Then use a faster speed to continue cutting.

# MAINTENANCE

### CAUTION:

- Always be sure that the tool is switched off and unplugged before attempting to perform inspection or maintenance.
- Never use gasoline, benzine, thinner, alcohol or the like. Discoloration, deformation or cracks may result.

## Replacing carbon brushes (Fig. 10)

Remove and check the carbon brushes regularly. Replace when they wear down to the limit mark. Keep the carbon brushes clean and free to slip in the holders. Both carbon brushes should be replaced at the same time. Use only identical carbon brushes.

Use a screwdriver to remove the brush holder caps. Take out the worn carbon brushes, insert the new ones and secure the brush holder caps. (Fig. 11)

To maintain product SAFETY and RELIABILITY, repairs, any other maintenance or adjustment should be performed by Makita Authorized Service Centers, always using Makita replacement parts.

# OPTIONAL ACCESSORIES

### CAUTION:

- These accessories or attachments are recommended for use with your Makita tool specified in this manual. The use of any other accessories or attachments might present a risk of injury to persons. Only use accessory or attachment for its stated purpose.

If you need any assistance for more details regarding these accessories, ask your local Makita Service Center.

- Recipro saw blades
- Plastic carrying case

### NOTE:

- Some items in the list may be included in the tool package as standard accessories. They may differ from country to country.

### Noise

ENG905-1

The typical A-weighted noise level determined according to EN60745:

#### Model JR3060T

Sound pressure level ( $L_{pA}$ ): 87 dB (A)

Sound power level ( $L_{WA}$ ): 98 dB (A)

Uncertainty (K): 3 dB (A)

**Model JR3070CT**Sound pressure level ( $L_{pA}$ ): 89 dB (A)Sound power level ( $L_{WA}$ ): 100 dB (A)

Uncertainty (K): 3 dB (A)

**Wear ear protection.****Vibration**

ENG900-1

The vibration total value (tri-axial vector sum) determined according to EN60745:

**Model JR3060T**

Work mode: cutting boards

Vibration emission ( $a_{h,B}$ ): 15.5 m/s<sup>2</sup>Uncertainty (K): 2.0 m/s<sup>2</sup>

Work mode: cutting wooden beams

Vibration emission ( $a_{h,WB}$ ): 21.0 m/s<sup>2</sup>Uncertainty (K): 1.5 m/s<sup>2</sup>**Model JR3070CT**

Work mode: cutting boards

Vibration emission ( $a_{h,B}$ ): 9.5 m/s<sup>2</sup>Uncertainty (K): 1.5 m/s<sup>2</sup>

Work mode: cutting wooden beams

Vibration emission ( $a_{h,WB}$ ): 10.5 m/s<sup>2</sup>Uncertainty (K): 1.5 m/s<sup>2</sup>

ENG901-1

- The declared vibration emission value has been measured in accordance with the standard test method and may be used for comparing one tool with another.
- The declared vibration emission value may also be used in a preliminary assessment of exposure.

**⚠ WARNING:**

- The vibration emission during actual use of the power tool can differ from the declared emission value depending on the ways in which the tool is used.
- Be sure to identify safety measures to protect the operator that are based on an estimation of exposure in the actual conditions of use (taking account of all parts of the operating cycle such as the times when the tool is switched off and when it is running idle in addition to the trigger time).

**For European countries only**

ENH101-17

**EC Declaration of Conformity****Makita declares that the following Machine(s):**

Designation of Machine:

Recipro Saw

Model No./Type: JR3060T, JR3070CT

**Conforms to the following European Directives:**

2006/42/EC

They are manufactured in accordance with the following Standard or standardized documents:

EN60745

The Technical file in accordance with 2006/42/EC is available from:

Makita, Jan-Baptist Vinkstraat 2, 3070, Belgium

31. 12. 2013



Yasushi Fukaya

Director

Makita, Jan-Baptist Vinkstraat 2, 3070, Belgium

# FRANÇAIS (Instructions d'origine)

## Descriptif

1 Sabot	6 Bouton de blocage	11 Lame
2 Bouton du sabot	7 Cadran de réglage	12 Levier de serrage de la lame
3 Levier	8 Collet de serrage de la lame	13 Trait de limite d'usure
4 Gâchette de sécurité	9 Position ouverte	14 Bouchon du porte-charbon
5 Gâchette	10 Position d'immobilisation	15 Tournevis

## ISOLATION DOUBLE

Modèle	JR3060T	JR3070CT
Longueur de course	32 mm	
Capacités de coupe maximales	Tuyau	130 mm
	Bois	255 mm
Nombre de courses/mn. (min <sup>-1</sup> )	0 - 2 800	
Longueur totale	485 mm	
Poids net	4,4 kg	4,6 kg
Classe de sûreté	□/II	

- Etant donné l'évolution constante de notre programme de recherche et de développement, les spécifications contenues dans ce manuel sont sujettes à des modifications sans préavis.
- Les spécifications peuvent varier suivant les pays.
- Poids conforme à la procédure EPTA 01/2003

### Utilisation prévue ENE021-1

L'outil est conçu pour scier le bois, le plastique, le métal et les matériaux de construction avec une grande force d'impact. Il convient bien aux coupes rectilignes ou curvilignes.

### Alimentation ENF002-2

L'outil ne doit être raccordé qu'à une alimentation de la même tension que celle qui figure sur la plaque signalétique, et il ne peut fonctionner que sur un courant secteur monophasé. Réalisé avec une double isolation, il peut de ce fait être alimenté sans mise à la terre.

## Consignes de sécurité générales des outils électriques GEA010-1

**⚠ AVERTISSEMENT** Veuillez lire toutes les consignes de sécurité et les instructions. Il y a un risque de choc électrique, d'incendie et/ou de blessure grave si les consignes et les instructions ne sont pas toutes respectées.

## Conservez toutes les consignes et instructions pour référence ultérieure.

## AVERTISSEMENTS DE SÉCURITÉ CONCERNANT LA SCIE RÉCIPRO GEB008-6

1. Tenez l'outil à l'aide des surfaces de prise isolées lorsque vous exécutez une opération susceptible de mettre en contact l'accessoire de coupe et les

**fils cachés ou le propre cordon de l'outil.** Il est possible que le contact avec un fil sous tension mette les parties métalliques exposées de l'outil sous tension, risquant ainsi de provoquer un choc électrique chez l'utilisateur.

2. **Utilisez des dispositifs de serrage ou un autre moyen pratique pour fixer la pièce à une surface de travail stable.** L'outil sera instable et vous risquez d'en perdre le contrôle si vous le tenez avec la main ou l'appuyez contre votre corps.
3. **Portez toujours des lunettes de sécurité ou des lunettes à coques. Les lunettes ordinaires et les lunettes de soleil ne sont PAS des lunettes de sécurité.**
4. **Attention aux clous.** Avant l'utilisation, vérifiez la présence de clous sur la pièce et, le cas échéant, retirez-les.
5. **Ne coupez pas des pièces trop grandes.**
6. **Vérifiez s'il y a un espace suffisant autour de la pièce à travailler avant la coupe, afin que la lame ne frappe pas le plancher, l'établi, etc.**
7. **Tenez l'outil fermement.**
8. **Avant de mettre l'outil sous tension, assurez-vous que la lame n'est pas en contact avec la pièce à travailler.**
9. **Gardez les mains à l'écart des pièces mobiles.**
10. **Ne vous éloignez pas de l'outil pendant qu'il fonctionne. Ne faites marcher l'outil que lorsque vous le tenez en main.**
11. **Avant de retirer la lame de la pièce, mettez toujours l'outil hors tension et attendez que la lame se soit complètement immobilisée.**



12. **Ne touchez ni la lame ni la pièce après la coupe; elles peuvent être très chaudes et brûler votre peau.**
13. **Ne faites pas fonctionner inutilement l'outil à vide.**
14. **Utilisez toujours un masque antipoussières ou un masque filtrant approprié au matériau à ravaller et à l'outil utilisé.**
15. **Certains matériaux contiennent des produits chimiques qui peuvent être toxiques. Prenez les précautions nécessaires pour éviter que la poussière dégagée lors du travail ne soit inhalée ou n'entre en contact avec la peau. Suivez les consignes de sécurité du fournisseur du matériau.**

## CONSERVEZ CES INSTRUCTIONS.

### AVERTISSEMENT:

**NE vous laissez PAS tromper (au fil d'une utilisation répétée) par un sentiment d'aisance et de familiarité avec le produit, en négligeant le respect rigoureux des consignes de sécurité qui accompagnent l'outil. Une UTILISATION INCORRECTE de l'outil ou un nonrespect des consignes de sécurité indiquées dans ce manuel d'instructions peuvent causer des blessures graves.**

## DESCRIPTION DU FONCTIONNEMENT

### ATTENTION :

- Vérifiez que l'outil est hors tension et débranché avant de l'ajuster ou de vérifier son fonctionnement.

### Réglage du sabot (Fig. 1 et 2)

Lorsque la lame perd de son efficacité de coupe sur une portion de son tranchant, repositionnez le sabot de façon à utiliser une autre portion intacte. Cela vous permettra d'allonger la durée d'usage de votre lame. Pour repositionner le sabot sur l'une des cinq positions de réglage, poussez le bouton du sabot dans le sens "A" jusqu'à ce qu'il émette un léger bruit sec, et procédez comme illustré sur la figure. Pour immobiliser le sabot, poussez le bouton du sabot dans le sens "B" jusqu'à ce qu'il émette un léger bruit sec.

### Choix de la coupeure (Fig. 3)

Cet outil peut réaliser une coupeure en courbe ou en ligne droite. La coupeure en courbe pousse la lame dans le sens de la coupe et augmente grandement la vitesse de coupeure.

Le mode de coupeure se change en poussant la gâchette et en tournant le levier dans la position de coupeure désirée. Ensuite, lâcher la gâchette pour bloquer le levier. Se référer à la table pour choisir la coupeure appropriée.

### NOTE :

- Coupeure en courbe signifie que la scie se déplace verticalement et horizontalement à la fois. Cela améliore l'efficacité de la coupeure.

Position	Coupeure	Applications
0	Coupeure en ligne droite	Pour couper l'acier doux, l'acier inoxydable et les matières plastiques. Pour couper le bois et le contreplaqué.
I	Coupeure en courbe étroite	Pour couper l'acier doux, l'aluminium et le bois dur.
II	Coupeure en courbe moyenne	Pour couper le bois et le contreplaqué. Pour coupeure rapide de l'aluminium et l'acier doux.
III	Coupeure en courbe élargie	Pour coupeure rapide de bois et de contreplaqué.

002525

### Interrupteur (Fig. 4)

#### ATTENTION :

- Avant de brancher votre outil, vérifiez toujours que la gâchette fonctionne correctement et revient sur la position "OFF" une fois relâchée.

Pour mettre l'outil en marche, tirez simplement sur la gâchette. La vitesse de l'outil augmente quand vous augmentez la pression sur la gâchette. Pour arrêter l'outil, relâchez la gâchette. Pour obtenir un fonctionnement continu, tirez sur la gâchette, puis enfoncez le bouton de blocage.

Pour arrêter l'outil lorsqu'il fonctionne en continu, tirez à fond sur la gâchette puis relâchez-la.

### Cadran de contrôle vitesse (Pour JR3070CT) (Fig. 5)

Les coups de rotation par minute peuvent se modifier en tournant le cadran de réglage. Cela peut s'effectuer durant la marche de l'outil. Le cadran mesure du 1 (vitesse minimum) jusqu'au 6 (vitesse maximum). Tourner le cadran de réglage sans pause entre le 1 et le 6 selon la tâche.

Référez-vous au tableau pour sélectionner la vitesse appropriée à la pièce à couper. La vitesse adéquate peut toutefois varier suivant le type de matériau ou l'épaisseur de la pièce. En général, les vitesses rapides permettent de couper les pièces plus rapidement, mais cela réduit la durée de service de la lame.

Nombre sur le cadran de réglage	Coups de rotations par minute
6	2 800
5	2 500
4	1 850
3	1 400
2	1 000
1	950

006574

Pièce à couper	Numéro sur le cadran de réglage
Bois	6
Béton léger autoclavé	5 - 6
Acier doux	3 - 4
Aluminium	3 - 5
Plastiques	1 - 4
Acier inoxydable	1 - 2

006584

#### NOTE :

- Si l'outil fonctionne de façon continue à des vitesses basses pendant une période assez longue, la durée de vie du moteur sera réduite.
- Le cadran de réglage de la vitesse ne peut pas être tourné plus haut que 6 ou plus bas que 1. N'essayez pas de le placer au-delà de 6 ou en dessous de 1, sinon le réglage de la vitesse risque de ne plus fonctionner.

Les caractéristiques suivantes des outils munis de fonctions électroniques facilitent leur utilisation.

#### Commande de vitesse constante

La commande de vitesse électronique permet d'obtenir une vitesse constante. La vitesse étant maintenue constante même dans des conditions de lourde charge de travail, il est possible d'atteindre une grande finesse de finition.

#### Fonction de démarrage en douceur

La suppression du choc de démarrage permet un démarrage en douceur et sans danger.

## ASSEMBLAGE

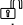

#### ATTENTION :

- Avant toute intervention, assurez-vous que le contact est coupé et l'outil débranché.

### Installation ou retrait de la lame


#### ATTENTION :

- Nettoyez toujours tous les copeaux ou les corps étrangers qui adhèrent à la lame, à la douille porte-lame et/ou à la tige. Sinon, la lame risque de ne pas être assez serrée, ce qui pourrait provoquer des blessures graves.



Pour installer la lame de la scie, veillez toujours à ce que le levier de serrage de la lame soit en position non-enclenchée  sur le couvercle d'isolation avant d'insérer la lame. Si le levier de serrage de la lame est en position enclenchée, faites pivoter le levier de serrage de la lame dans la direction de la flèche afin de le fixer sur la position non-enclenchée . (Fig. 6)

Insérez la lame à fond dans le collet de serrage de la lame. Le levier du collet de serrage tourne et immobilise la lame. Tirez sur la lame pour vous assurer qu'il n'est pas possible de la retirer. (Fig. 7)

#### NOTE :

- Si la lame n'est pas insérée assez profondément, elle risque de s'éjecter de manière inattendue pendant que l'outil fonctionne. Cela est extrêmement dangereux. Si le levier est positionné à l'intérieur de l'outil, mettez sous tension l'outil seulement une seconde pour laisser la lame sortir comme illustré dans la figure. Mettez l'outil hors tension et débranchez-le du secteur. Pour retirer la lame de la scie, faites complètement pivoter le levier de serrage de la lame dans la direction de la flèche. La lame se retire et le levier de serrage de la lame se fixe dans la position non-enclenchée . (Fig. 8)

#### NOTE :

- Conservez les mains et les doigts loin du levier durant l'opération de commutation. Ne pas le faire peut résulter en des blessures corporelles.
- Il est possible que le levier ne se fixe pas sur la position non-enclenchée  si vous retirez la lame de la scie sans faire complètement pivoter le levier de serrage de la lame. Si le cas se présente, de nouveau faites pivoter à fond le levier de serrage de la lame puis veillez à ce que le levier de serrage de la lame soit bloqué en position non-enclenchée .

## FONCTIONNEMENT (Fig. 9)

#### ATTENTION :

- Appliquez toujours fermement le sabot contre la pièce pendant l'utilisation. Si le sabot est retiré ou éloigné de la pièce pendant la coupe, cela causera de fortes vibrations et/ou torsions, faisant claquer la lame dangereusement.
- Portez toujours des gants afin de protéger vos mains des particules brûlantes qui peuvent sauter quand vous sciez du métal.
- Assurez-vous de toujours porter un dispositif de protection des yeux adéquat, conforme aux normes nationales en vigueur.
- Servez-vous toujours d'un réfrigérant (huile de coupe) adapté, quand vous sciez du métal. Faute de cette précaution, vous userez prématurément votre lame. Appuyez fermement le sabot contre le matériau à scier. Ne laissez pas la scie sauter. Mettez la lame légèrement en contact avec le matériau. Pratiquez d'abord un sillon pilote en faisant fonctionner l'outil à vitesse réduite. Augmentez ensuite la vitesse pour poursuivre la coupe.

## ENTRETIEN

#### ATTENTION :

- Assurez-vous toujours que le contact est coupé et l'outil débranché avant d'effectuer tout travail d'inspection ou d'entretien.
- N'utilisez jamais d'essence, de benzine, de diluant, d'alcool ou de produit similaire. Ces produits risquent de provoquer des décolorations, des déformations ou des fissures.

### Remplacement des charbons (Fig. 10)

Retirez et vérifiez les charbons régulièrement.

Remplacez-les lorsqu'ils atteignent le repère d'usure.

Gardez les charbons propres et libres de glisser dans les porte-charbons. Les deux charbons doivent être remplacés simultanément.

Utilisez uniquement des charbons identiques. Retirez les bouchons de porte-charbon à l'aide d'un tournevis.

(Fig. 11)

Enlevez les charbons usés, insérez les neufs et remettez en place les bouchons. Pour assurer la SECURITÉ et la FIABILITÉ du produit, toute réparation et tout travail d'entretien ou de réglage doivent être effectués par un Centre d'Entretien autorisé Makita, avec des pièces de rechange Makita.

## ACCESSOIRES FOURNIS EN OPTION

### ⚠ ATTENTION :

- Ces accessoires ou pièces complémentaires sont recommandés pour être utilisés avec l'outil Makita spécifié dans ce mode d'emploi. L'utilisation de tout autre accessoire ou pièce complémentaire peut comporter un risque de blessure. N'utilisez les accessoires ou pièces qu'aux fins auxquelles ils ont été conçus.

Pour obtenir plus de détails sur ces accessoires, contactez votre Centre de service local Makita.

- Lames de scie réciproc
- Malette de transport

### REMARQUE :

- Certains éléments de la liste peuvent être inclus en tant qu'accessoires standard dans le coffret de l'outil envoyé. Ils peuvent varier suivant les pays.

### Bruit

ENG905-1

Les niveaux de bruit pondéré A typiques ont été mesurés selon la norme EN60745 :

#### Modèle JR3060T

Niveau de pression sonore ( $L_{pA}$ ) : 87 dB (A)  
Niveau de puissance sonore ( $L_{WA}$ ) : 98 dB (A)  
Incertitude (K) : 3 dB (A)

#### Modèle JR3070CT

Niveau de pression sonore ( $L_{pA}$ ) : 89 dB (A)  
Niveau de puissance sonore ( $L_{WA}$ ) : 100 dB (A)  
Incertitude (K) : 3 dB (A)

**Portez des protections auditives.**

### Vibration

ENG900-1

La valeur totale de vibration (somme du vecteur triaxial) déterminée selon la norme EN60745 :

#### Modèle JR3060T

Mode de fonctionnement : coupe de planches  
Émission de vibrations ( $a_{h,B}$ ) : 15,5 m/s<sup>2</sup>  
Incertitude (K) : 2,0 m/s<sup>2</sup>

Mode de fonctionnement : découpe de poutres en bois

Émission de vibrations ( $a_{h,WB}$ ) : 21,0 m/s<sup>2</sup>  
Incertitude (K) : 1,5 m/s<sup>2</sup>

### Modèle JR3070CT

Mode de fonctionnement : coupe de planches

Émission de vibrations ( $a_{h,B}$ ) : 9,5 m/s<sup>2</sup>

Incertitude (K) : 1,5 m/s<sup>2</sup>

Mode de fonctionnement : découpe de poutres en bois

Émission de vibrations ( $a_{h,WB}$ ) : 10,5 m/s<sup>2</sup>

Incertitude (K) : 1,5 m/s<sup>2</sup>

ENG901-1

- La valeur de l'émission des vibrations déclarée a été mesurée conformément à la méthode de test standard et peut être utilisée afin de comparer des outils entre eux.
- La valeur de l'émission des vibrations déclarée peut également être utilisée lors d'une évaluation préliminaire de l'exposition.

### ⚠ AVERTISSEMENT :

- Selon la manière dont l'outil est utilisé, il est possible que l'émission des vibrations pendant l'utilisation réelle de l'outil électrique diffère de la valeur de l'émission déclarée.
- Veillez à identifier les mesures de sécurité destinées à protéger l'opérateur et établies en fonction de l'estimation de l'exposition dans les conditions réelles d'utilisation (en prenant en compte toutes les étapes du cycle de fonctionnement, telles que les périodes de mise hors tension de l'outil, les périodes de fonctionnement au ralenti et les périodes de mise en route).

### Pour les pays d'Europe uniquement

ENH101-17

#### Déclaration de conformité CE

#### Makita déclare que la/les machine(s) suivante(s) :

Nom de la machine :

Scie réciproc

N° de modèle/Type : JR3060T, JR3070CT

#### sont conformes aux directives européennes suivantes :

2006/42/CE

sont produites conformément aux normes ou documents de normalisation suivants :

EN60745

Le dossier technique conforme à la norme 2006/42/CE est disponible auprès de :

Makita, Jan-Baptist Vinkstraat 2, 3070, Belgique

31. 12. 2013



Yasushi Fukaya

Directeur

Makita, Jan-Baptist Vinkstraat 2, 3070, Belgique

## Übersicht

1 Schuh	6 Sperrtaste	11 Klinge
2 Schuhtaste	7 Einstellrad	12 Blattklemmhebel
3 Hebel	8 Sägeblatt-Klemmring	13 Grenzmarkierung
4 Anschlag	9 Freigabeposition	14 Bürstenhalterverschluss
5 Schalter	10 Feste Position	15 Schraubenzieher

## TECHNISCHE DATEN

Modell		JR3060T	JR3070CT
Hubhöhe		32 mm	
Max. Schnitttiefen	Rohre	130 mm	
	Holz	255 mm	
Hubzahl (min <sup>-1</sup> )		0 - 2.800	
Gesamtlänge		485 mm	
Nettogewicht		4,4 kg	4,6 kg
Sicherheitsklasse		□/II	

- Aufgrund unserer beständigen Forschungen und Weiterentwicklungen sind Änderungen an den hier angegebenen Technischen Daten ohne Vorankündigung vorbehalten.
- Die Technischen Daten können in den einzelnen Ländern voneinander abweichen.
- Gewicht entsprechend EPTA-Verfahren 01/2003

### Vorgesehene Verwendung ENF021-1

Die Maschine ist für das Sägen von Holz, Kunststoff, Metall und stark verdichtetem Baumaterial vorgesehen. Sie eignet sich für gerade und gekrümmte Schnitte.

### Stromversorgung ENF002-2

Das Werkzeug darf nur an eine Stromversorgung mit Einphasen-Wechselstrom mit der auf dem Typenschild angegebenen Spannung angeschlossen werden. Das Werkzeug verfügt über ein doppelt isoliertes Gehäuse und kann daher auch an einer Stromversorgung ohne Schutzkontakt betrieben werden.

## Allgemeine Sicherheitshinweise für Elektrowerkzeuge GEA010-1

**⚠️ WARNUNG** Lesen Sie alle Sicherheitshinweise und Anweisungen sorgfältig durch. Wenn die Hinweise und Anweisungen nicht beachtet werden, besteht die Gefahr eines Stromschlags, Brands und/oder das Risiko von ernsthaften Verletzungen.

## Bewahren Sie alle Hinweise und Anweisungen zur späteren Referenz gut auf.

## SICHERHEITSHINWEISE FÜR DIE SÄBELSÄGE GEB008-6

1. Halten Sie das Elektrowerkzeug an den isolierten Griffflächen, wenn Sie unter Bedingungen arbeiten, bei denen das Schneidwerkzeug verborgene Kabel oder das eigene Kabel berühren

2. **Verwenden Sie Klemmen oder eine andere praktische Methode, um das Werkstück auf einer stabilen Unterlage zu sichern und abzustützen.** Wenn Sie das Werkstück nur von Hand oder gegen Ihren Körper halten, befindet es sich in einer instabilen Lage, die zum Verlust der Kontrolle führen kann.
3. **Tragen Sie stets eine Sicherheits- oder Schutzbrille. Eine gewöhnliche Brille oder Sonnenbrille ist KEIN Ersatz für eine Sicherheitsbrille.**
4. **Schneiden Sie keine Nägel durch. Untersuchen Sie das Werkstück auf Nägel, und entfernen Sie diese vor der Bearbeitung.**
5. **Schneiden Sie keine übergroßen Werkstücke.**
6. **Vergewissern Sie sich vor dem Sägen, dass genügend Freiraum hinter dem Werkstück vorhanden ist, damit das Sägeblatt nicht gegen eine harte Oberfläche, wie Fußboden, Werkbank usw., stößt.**
7. **Halten Sie die Maschine mit festem Griff.**
8. **Vergewissern Sie sich vor dem Einschalten der Maschine, dass das Sägeblatt nicht das Werkstück berührt.**
9. **Halten Sie die Hände von beweglichen Teilen fern.**
10. **Lassen Sie die Maschine nicht unbeaufsichtigt laufen. Benutzen Sie die Maschine nur mit Handhaltung.**

11. **Schalten Sie die Maschine stets aus und warten Sie, bis das Sägeblatt zum völligen Stillstand kommt, bevor Sie die Maschine vom Werkstück abnehmen.**
12. **Vermeiden Sie eine Berührung des Sägeblatts oder des Werkstücks unmittelbar nach der Bearbeitung, weil sie dann noch sehr heiß sind und Hautverbrennungen verursachen können.**
13. **Lassen Sie das Werkzeug nicht unnötig im Leerlauf laufen.**
14. **Verwenden Sie stets die korrekte Staubschutzoder Atemmaske für das jeweilige Material und die Anwendung.**
15. **Manche Materialien können giftige Chemikalien enthalten. Treffen Sie Vorsichtsmaßnahmen, um das Einatmen von Arbeitsstaub und Hautkontakt zu verhüten. Befolgen Sie die Sicherheitsdaten des Materialherstellers.**

#### HINWEIS:

- Beim orbitalen Schnitt bewegt sich die Klinge gleichzeitig nach oben und unten sowie vor und zurück. Dadurch wird die Wirksamkeit beim Schneiden erhöht.

Position	Schneidvorgang	Anwendungen
0	Gerader Schnitt	Zum Schneiden von Weichstahl, Edelstahl und Plastik. Für saubere Schnitte in Holz und Sperrholz.
I	Kleiner orbitaler Schnitt	Zum Schneiden von Weichstahl, Aluminium und Hartholz.
II	Mittelgroßer orbitaler Schnitt	Zum Schneiden von Holz und Sperrholz. Zum schnellen Schneiden in Aluminium und Weichstahl.
III	Großer orbitaler Schnitt	Zum schnellen Schneiden in Holz und Sperrholz.

002525

#### Schalterfunktion (Abb. 4)

##### VORSICHT:

- Vor dem Anschließen der Maschine an das Stromnetz stets überprüfen, ob der Elektronikschalter ordnungsgemäß funktioniert und beim Loslassen in die AUSStellung zurückkehrt.

Zum Einschalten der Maschine drücken Sie einfach den Ein-Aus-Schalter. Die Drehzahl erhöht sich durch verstärkte Druckausübung auf den Ein-Aus-Schalter. Zum Ausschalten lassen Sie den Ein-Aus-Schalter los. Für Dauerbetrieb betätigen Sie den Ein-Aus-Schalter und drücken dann den Arretierknopf hinein.

Zum Ausrasten des Arretierknopfes drücken Sie den Ein-Aus-Schalter bis zum Anschlag hinein und lassen ihn dann los.

#### Geschwindigkeitseinstellrad (Für JR3070CT) (Abb. 5)

Die Taktzahl pro Minute kann durch Drehen des Einstellrads eingestellt werden. Dieser Vorgang kann selbst bei laufendem Elektrowerkzeug durchgeführt werden. Das Rad ist von 1 (kleinste Taktzahl) bis 6 (größte Taktzahl) eingestellt werden. Drehen Sie das Einstellrad auf eine der 6 Einstellungen, gemäß der durchzuführenden Arbeit.

Beziehen Sie sich auf die Tabelle, um die korrekte Geschwindigkeit für das zu schneidende Werkstück zu wählen. Jedoch kann die geeignete Geschwindigkeit je nach der Dicke des Werkstücks verschieden sein. Im Allgemeinen können Sie Werkstücke bei hohen Geschwindigkeiten schneller schneiden, doch wird die Lebensdauer der Klinge in diesem Fall verkürzt.

## BEWAHREN SIE DIESE HINWEISE SORGFÄLTIG AUF.

#### WARNUNG:

Lassen Sie sich NIE durch Bequemlichkeit oder (aus fortwährendem Gebrauch gewonnener) Vertrautheit mit dem Werkzeug dazu verleiten, die Sicherheitsregeln für das Werkzeug zu missachten. Bei MISSBRÄUHLICHER Verwendung des Werkzeugs oder Missachtung der in diesem Handbuch enthaltenen Sicherheitshinweise kann es zu schweren Verletzungen kommen.

## FUNKTIONSBESCHREIBUNG

#### VORSICHT:

- Vergewissern Sie sich vor jeder Einstellung oder Funktionsprüfung der Maschine stets, dass sie ausgeschaltet und vom Stromnetz getrennt ist.

#### Einstellen des Schuhs (Abb. 1 und 2)

Wenn das Sägeblatt an einer Stelle seiner Schneide abgenutzt ist, verändern Sie die Position des Schuhs, um einen scharfen, unbenutzten Teil der Schneide zu verwenden. Dadurch wird die Lebensdauer des Sägeblatts verlängert. Zum Verstellen des Führungsschuhs drücken Sie den Schuhknopf in Richtung „A“, bis er einrastet, wie in der Abbildung gezeigt, so dass sich der Schuh auf eine der fünf Raststellungen verschieben lässt. Zur Sicherung des Führungsschuhs drücken Sie den Schuhknopf in Richtung „B“, bis er einrastet.

#### Wahl der Schnitarbeit (Abb. 3)

Dieses Werkzeug kann für einen orbitalen oder geraden Schnitt verwendet werden. Beim orbitalen Schnitt wird die Klinge beim Schnittgang nach vorne bewegt und die Schnittgeschwindigkeit stark erhöht.

Um den Schneidvorgang zu ändern, drücken Sie den Anschlag, und drehen Sie den Hebel auf die Position für den gewünschten Schneidvorgang. Geben Sie den Anschlag dann frei, um den Hebel zu sperren. Sehen Sie bitte in der Tabelle nach, welche Schneidvorgänge verfügbar sind.

Nummer auf dem Einstellrad	Taktzahl pro Minute
6	2.800
5	2.500
4	1.850
3	1.400
2	1.000
1	950

006574

Zu schneidendes Werkstück	Zahl auf dem Einstellregler
Holz	6
Autoklav-Leichtbeton	5 - 6
Weichstahl	3 - 4
Aluminium	3 - 5
Plastik	1 - 4
Edelstahl	1 - 2

006584

#### HINWEIS:

- Wenn das Werkzeug längere Zeit dauerhaft bei niedriger Geschwindigkeit betrieben wird, wird die Lebenszeit des Motors reduziert.
- Der Geschwindigkeits-Einstellregler kann nur bis 6 und zurück bis 1 gedreht werden. Versuchen Sie nicht, ihn gewaltsam weiter als bis 6 oder 1 zu drehen, sonst könnte er nicht länger verwendet werden können.

Die Werkzeuge mit elektronischer Funktion sind leicht zu bedienen, weil sie die folgenden Merkmale aufweisen.

#### Konstante Geschwindigkeitsreglung

Elektronische Geschwindigkeitsreglung, um eine konstante Geschwindigkeit zu erzielen. Ermöglicht einen feinen Schliff, da die Drehzahl selbst unter Belastung konstant bleibt.

#### Softstart-Funktion

Sicherheit und Softstart, da der Startschock unterdrückt wird.

## AUFBAU

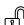
#### VORSICHT:


- Vergewissern Sie sich vor der Ausführung von Arbeiten an der Maschine stets, dass sie ausgeschaltet und vom Stromnetz getrennt ist.

## Montage und Demontage des Sägeblatts

#### VORSICHT:

- Säubern Sie Sägeblatt, Klemmschuh und/oder Schieber stets von anhaftenden Spänen oder Fremdkörpern. Anderenfalls lässt sich das Sägeblatt möglicherweise nicht fest genug einspannen, was schwere Verletzungen zur Folge haben kann.

Um das Sägeblatt zu installieren, vergewissern Sie sich immer, dass sich der Blattklemmhebel in der Freigabeposition  auf der Isolierhülle befindet, bevor Sie das Sägeblatt einsetzen. Falls sich der Blattklemmhebel in der Feststellposition befindet, drehen

Sie den Blattklemmhebel in Pfeilrichtung, damit er in der Freigabeposition  arretieren kann. **(Abb. 6)**


Führen Sie das Sägeblatt bis zum Anschlag in den Klemmschuh ein. Der Sägeblatt-Klemmhebel dreht sich, und das Sägeblatt wird fixiert. Vergewissern Sie sich durch Zugversuch, dass sich das Sägeblatt nicht herausziehen lässt. **(Abb. 7)**

#### HINWEIS:



- Wird das Sägeblatt nicht tief genug eingeführt, kann es während des Betriebs plötzlich herausgeschleudert werden. Dies kann gefährliche Folgen haben.

Wenn sich der Hebel im Inneren des Werkzeugs befindet, schalten Sie das Werkzeug eine Sekunde lang ein, damit das Blatt wie in der Abbildung dargestellt aus dem Werkzeug fährt.

Schalten Sie das Werkzeug aus und ziehen Sie den Netzstecker aus der Steckdose.

Um das Sägeblatt zu entfernen, drehen Sie den Blattklemmhebel vollständig in die Pfeilrichtung. Das Sägeblatt wird entfernt, und der Blattklemmhebel wird in der Freigabeposition  arretiert. **(Abb. 8)**

#### HINWEIS:

- Halten Sie beim Einschalten Hände und Finger vom Hebel fern. Anderenfalls kann es zu Verletzungen kommen.
- Falls Sie das Sägeblatt entfernen, ohne den Blattklemmhebel vollständig zu drehen, wird der Hebel möglicherweise nicht in der Freigabeposition  arretiert. Drehen Sie den Hebel in diesem Fall erneut bis zum Anschlag, und vergewissern Sie sich, dass der Blattklemmhebel in der Freigabeposition  arretiert ist.

## BETRIEB (Abb. 9)

#### VORSICHT:

- Drücken Sie den Schuh während des Betriebs immer fest gegen das Werkstück. Wird der Schuh während des Arbeitens vom Werkstück entfernt oder in zu großem Abstand vom Werkstück gehalten, kommt es zu starken Vibrationen bzw. zum Verkanten und damit zu Gefahr durch Brechen des Sägeblatts.
- Tragen Sie beim Sägen von Metall immer Handschuhe, um Ihre Hände vor umherfliegenden heißen Spänen zu schützen.
- Tragen Sie stets einen geeigneten Augenschutz, der den aktuellen Landesnormen entspricht.
- Verwenden Sie beim Sägen von Metall immer ein geeignetes Kühlmittel (Schneidöl). Nicht verwenden von Kühlmitteln führt zu vorzeitigem Verschleiß des Sägeblatts.

Drücken Sie den Schuh fest gegen das Werkstück, um Rückschläge auf die Säge zu vermeiden. Halten Sie die Säge so, dass das Sägeblatt das Werkstück gerade berührt. Sägen Sie zunächst mit einer niedrigen Hubzahl an. Machen Sie zunächst einen Führungsschnitt bei niedriger Geschwindigkeit. Sägen Sie dann bei höherer Geschwindigkeit weiter.

# WARTUNG

## VORSICHT:

- Denken Sie vor der Durchführung von Überprüfungen oder Wartungsarbeiten stets daran, die Maschine auszuschalten und vom Stromnetz zu trennen.
- Verwenden Sie zum Reinigen niemals Kraftstoffe, Benzin, Verdünnler, Alkohol oder ähnliches. Dies kann zu Verfärbungen, Verformungen oder Rissen führen.

## Auswechseln der Kohlebürsten (Abb. 10)

Die Kohlebürsten müssen regelmäßig entfernt und überprüft werden. Wenn sie bis zur Verschleißgrenze abgenutzt sind, müssen sie erneuert werden. Halten Sie die Kohlebürsten stets sauber, damit sie ungehindert in den Haltern gleiten können. Beide Kohlebürsten sollten gleichzeitig erneuert werden. Verwenden Sie nur identische Kohlebürsten.

Drehen Sie die Bürstenhalterkappen mit einem Schraubendreher heraus. Nehmen Sie die abgenutzten Kohlebürsten heraus, setzen Sie die neuen ein, und drehen Sie dann die Bürstenhalterkappen wieder ein.

### (Abb. 11)

Um die SICHERHEIT und ZUVERLÄSSIGKEIT dieses Produkts zu gewährleisten, sollten Reparaturen und andere Wartungs- oder Einstellarbeiten nur von Makita-Vertragswerkstätten oder Makita-Kundendienstzentren unter ausschließlicher Verwendung von Makita-Originalersatzteilen ausgeführt werden.

# SONDERZUBEHÖR

## ⚠️ ACHTUNG:

- Für das in diesem Handbuch beschriebene Makita-Gerät werden die folgenden Zubehör- und Zusatzteile empfohlen. Bei Verwendung anderer Zubehör- und Zusatzteile kann es zu Verletzungen kommen. Verwenden Sie Zubehör- und Zusatzteile nur für den vorgesehenen Zweck.

Informationen zu diesem Zubehör erhalten Sie von Ihrem Makita-Servicecenter.

- Reciprosägeblätter
- Transportkoffer

## HINWEIS:

- Einige der in der Liste aufgeführten Elemente sind dem Werkzeugpaket als Standardzubehör beigelegt. Diese können in den einzelnen Ländern voneinander abweichen.

## Schall

ENG905-1

Typischer A-bewerteter Schalldruckpegel nach EN60745:

### Modell JR3060T

Schalldruckpegel ( $L_{pA}$ ): 87 dB (A)  
Schalleistungspegel ( $L_{WA}$ ): 98 dB (A)  
Unsicherheit (K): 3 dB (A)

### Modell JR3070CT

Schalldruckpegel ( $L_{pA}$ ): 89 dB (A)  
Schalleistungspegel ( $L_{WA}$ ): 100 dB (A)  
Unsicherheit (K): 3 dB (A)

**Tragen Sie Gehörschutz.**

## Schwingung

ENG900-1

Schwingungsgesamtwerte (Vektorsumme dreier Achsen) nach EN60745:

### Modell JR3060T

Arbeitsmodus: Schneiden von Karton  
Schwingungsbelastung ( $a_{h,B}$ ): 15,5 m/s<sup>2</sup>  
Unsicherheit (K): 2,0 m/s<sup>2</sup>

Arbeitsmodus: Schneiden von Holzbalken  
Schwingungsbelastung ( $a_{h,WB}$ ): 21,0 m/s<sup>2</sup>  
Unsicherheit (K): 1,5 m/s<sup>2</sup>

### Modell JR3070CT

Arbeitsmodus: Schneiden von Karton  
Schwingungsbelastung ( $a_{h,B}$ ): 9,5 m/s<sup>2</sup>  
Unsicherheit (K): 1,5 m/s<sup>2</sup>

Arbeitsmodus: Schneiden von Holzbalken  
Schwingungsbelastung ( $a_{h,WB}$ ): 10,5 m/s<sup>2</sup>  
Unsicherheit (K): 1,5 m/s<sup>2</sup>

ENG901-1

- Der hier angegebene Wert für die erzeugten Schwingungen wurde gemäß dem genormten Testverfahren ermittelt und kann als Vergleich zu anderen Werkzeugen herangezogen werden.
- Der angegebene Wert für die erzeugten Schwingungen ist außerdem für eine vorbeugende Bewertung der Belastung zu verwenden.

## ⚠️ WARNUNG:

- Die Schwingungsbelastung kann bei tatsächlichem Gebrauch des Elektrowerkzeugs in Abhängigkeit von der Handhabung des Elektrowerkzeugs von dem hier aufgeführten Wert abweichen.
- Stellen Sie sicher, dass Schutzmaßnahmen für den Bediener getroffen werden, die auf den unter den tatsächlichen Arbeitsbedingungen zu erwartenden Belastungen beruhen (beziehen Sie alle Bestandteile des Arbeitsablaufs ein, also zusätzlich zu den Arbeitszeiten auch Zeiten, in denen das Werkzeug ausgeschaltet ist oder ohne Last läuft).

## Nur für europäische Länder

ENH101-17

## EG-Konformitätserklärung

**Makita erklärt, dass die nachfolgende(n) Maschine(n):**

Bezeichnung der Maschine(n):

Reciprosäge

Nummer/Typ des Modells: JR3060T, JR3070CT

**den folgenden Richtlinien der Europäischen Union genügt/genügen:**

2006/42/EG

Sie werden gemäß den folgenden Standards oder Normen gefertigt:

EN60745

Die technischen Unterlagen gemäß 2006/42/EG sind erhältlich von:

Makita, Jan-Baptist Vinkstraat 2, 3070, Belgien

31. 12. 2013



Yasushi Fukaya  
Direktor

Makita, Jan-Baptist Vinkstraat 2, 3070, Belgien

## Visione Generale

1 Scarpa	6 Bottone di bloccaggio	11 Lama
2 Bottone scarpa	7 Manopola di regolazione	12 Leva di fermo lama
3 Leva	8 Manicotto di fermo lama	13 Segno limite
4 Stopper	9 Posizione rilasciata	14 Coperchio delle spazzole a carbone
5 Grilletto dell'interruttore	10 Posizione fissa	15 Cacciavite

## DATI TECNICI

Modello		JR3060T	JR3070CT
Lunghezza della corsa		32 mm	
Capacità massima di taglio	Tubazione	130 mm	
	Legno	255 mm	
N°. corse/min. (min <sup>-1</sup> )		0 - 2.800	
Lunghezza totale		485 mm	
Peso netto		4,4 kg	4,6 kg
Classe di sicurezza		□/II	

- Le caratteristiche tecniche riportate di seguito sono soggette a modifiche senza preavviso in virtù del nostro programma continuo di ricerca e sviluppo.
- Le caratteristiche tecniche possono differire da paese a paese.
- Peso determinato in conformità con la EPTA-Procedure 01/2003

### Uso previsto ENE021-1

Questo utensile è progettato per il taglio del legno, plastica, metallo e materiali da costruzione con un forte impatto. Esso è adatto per i tagli dritti e curvi.

### Alimentazione ENF002-2

L'utensile deve essere collegato a una presa di corrente con la stessa tensione di quella indicata sulla targhetta e può funzionare soltanto con corrente alternata monofase. L'utensile è dotato di doppio isolamento, pertanto può essere usato anche con prese di corrente sprovviste della messa a terra.

## Avvertenze generali di sicurezza per l'uso dell'utensile GEA010-1

**⚠ AVVERTENZA** Leggere attentamente tutte le avvertenze di sicurezza e le istruzioni. La mancata osservanza delle istruzioni e delle avvertenze riportate di seguito potrebbe provocare scosse elettriche, incendi e/o lesioni gravi.

## Conservare le avvertenze e le istruzioni per riferimenti futuri.

## AVVERTENZE DI SICUREZZA PER IL SEGNETTO ALTERNATIVO GEB008-6

- Se vengono eseguite operazioni in cui l'accessorio da taglio può toccare fili nascosti o il cavo di alimentazione dell'utensile, impugnare l'utensile utilizzando i punti di presa isolati. Se

l'accessorio da taglio entra a contatto con un filo percorso da corrente, le parti metalliche esposte dell'utensile si troveranno anch'esse sotto tensione e potrebbero provocare scosse elettriche all'operatore.

- Usare una morsa od altro dispositivo adatto per fissare e supportare il pezzo su un piano stabile. Il pezzo tenuto con la mano o contro il corpo diventa instabile e potrebbe causare una perdita di controllo.
- Portare sempre occhiali di protezione o occhialoni. I comuni occhiali da vista o da sole NON sono occhiali di protezione.
- Evitare di tagliare chiodi. Ispezionare il pezzo e, se ci sono chiodi, rimuoverli prima di procedere.
- Non tagliare pezzi eccessivamente grandi.
- Controllare che ci sia il gioco corretto dietro il pezzo prima di tagliarlo, in modo che la lama non urti contro il pavimento, il banco di lavoro, ecc.
- Tenere saldamente il pezzo.
- Accertarsi che la lama non faccia contatto con il pezzo prima di attivare l'interruttore.
- Tenere le mani lontane dalle parti mobili.
- Non appoggiare l'utensile che gira se non viene usato. Farlo funzionare soltanto tenendolo in mano.
- Spegnere sempre l'utensile e aspettare che la lama si sia fermata completamente prima di toglierla dal pezzo.
- Non toccare la lama o il pezzo immediatamente dopo il taglio. Potrebbero essere molto caldi e causare bruciate.
- Non far funzionare inutilmente l'utensile senza carico.



14. Usare sempre una mascherina/respiratore adatti al materiale e all'applicazione con cui si lavora.
15. Alcuni materiali contengono sostanze chimiche che potrebbero essere tossiche. Fare attenzione per evitare l'inalazione o il contatto con la pelle. Osservare le precauzioni del produttore del materiale.

## CONSERVATE QUESTE ISTRUZIONI.

### ATTENZIONE:

**NON lasciare che la familiarità acquisita con il prodotto (dovuta all'uso ripetuto) provochi l'inosservanza delle regole di sicurezza per il presente utensile. L'USO IMPROPRIO o la mancata osservanza delle norme di sicurezza contenute in questo manuale può provocare lesioni personali gravi.**

## DESCRIZIONE DEL FUNZIONAMENTO

### ATTENZIONE:

- Accertarsi sempre che l'utensile sia spento e staccato dalla presa di corrente prima di regolare o controllare le sue funzioni.

### Regolazione della scarpa (Fig. 1 e 2)

Se la lama perde l'efficienza di taglio in un punto lungo il bordo di taglio, riposizionare la scarpa per usare una parte tagliente non utilizzata del suo bordo di taglio. Ciò aiuta a prolungare la vita della lama. Per riposizionare la scarpa, spingere il bottone scarpa nella direzione "A" con uno scatto e riposizionare come mostrato nella figura in modo da poter eseguire la regolazione a cinque vie. Per fissare la scarpa, spingere il bottone scarpa nella direzione "B" con uno scatto.

### Selezionare l'azione di taglio (Fig. 3)

Questo utensile può essere azionato con un'azione di taglio orbitale o a linea retta. L'azione di taglio orbitale spinge la lama avanti sulla corsa di taglio ed aumenta di gran lunga la velocità di taglio. Per cambiare l'azione di taglio, premere lo stopper e girare la leva nella posizione dell'azione di taglio desiderata. Poi, rilasciare lo stopper per bloccare la leva. Fare riferimento alla tabella per selezionare l'azione di taglio appropriata.

### NOTA:

- Azione orbitale significa che la lama della sega si muove contemporaneamente in su ed in giù e avanti ed indietro. Ciò aumenta l'efficienza del taglio.

Posizione	Azione di taglio	Applicazioni
0	Azione di taglio a linea retta	Per tagliare acciaio dolce, acciaio inossidabile e plastiche. Per tagli netti in legno e compensato.
I	Azione di taglio orbitale piccolo	Per tagliare acciaio dolce, alluminio e legno duro.
II	Azione di taglio orbitale medio	Per tagliare legno e compensato. Per tagli veloci in alluminio e acciaio dolce.
III	Azione di taglio orbitale grande	Per tagli veloci in legno e compensato.

002525

### Operazione dell'interruttore (Fig. 4)

#### ATTENZIONE:

- Prima di schiacciare l'interruttore, sempre controllate se il grilletto dell'interruttore lavora come si deve e ritorna la suo posto quando lo lasciate libero.

Per avviare l'utensile, schiacciate semplicemente il grilletto. La velocità dell'utensile aumenta con l'aumento della pressione sul grilletto. Rilasciate il grilletto per fermarlo. Per il funzionamento continuo, schiacciate il grilletto e spingete dentro il bottone di bloccaggio.

Per fermare l'utensile dalla posizione di bloccaggio, schiacciate completamente il grilletto e rilasciatelo.

### Manopola di regolazione della velocità (Per JR3070CT) (Fig. 5)

Le corse al minuto possono essere regolate ruotando la manopola di regolazione. Ciò può essere fatto persino mentre l'utensile è in funzione. La manopola è contrassegnata da 1 (velocità minima) a 6 (velocità massima). Ruotare la manopola di regolazione senza arresti meccanici tra 1 e 6 a seconda del lavoro che si deve svolgere.

Consultare la tabella per selezionare la velocità appropriata per il pezzo da tagliare. Tuttavia, la velocità appropriata potrebbe differire con il tipo di spessore del pezzo. In generale, le velocità maggiori consentono di tagliare i pezzi più rapidamente, ma la durata della lama si riduce.

Numero sulla manopola di regolazione	Corse al minuto
6	2.800
5	2.500
4	1.850
3	1.400
2	1.000
1	950

006574

Pezzo da tagliare	Numero sulla manopola di regolazione
Legno	6
Cemento leggero passato in autoclave	5 - 6
Acciaio dolce	3 - 4
Alluminio	3 - 5
Plastica	1 - 4
Acciaio inossidabile	1 - 2

006584

#### NOTA:

- Se l'utensile viene utilizzato a bassa velocità per un periodo di tempo prolungato e continuativo, la durata di funzionamento del motore è soggetta a una riduzione.
- La manopola di regolazione della velocità può essere girata soltanto fino a 6 e indietro fino a 1. Non forzarla dopo 6 o 1, altrimenti la funzione di regolazione della velocità potrebbe non essere più operativa.

Gli utensili dotati di funzione elettronica sono facili da utilizzare per le seguenti funzioni.

#### Controllo della velocità costante

Controllo elettronico della velocità per ottenere la velocità costante. È possibile ottenere una finitura accurata, poiché la velocità di rotazione viene mantenuta costante anche in condizioni di carico.

#### Funzione di avvio delicato

Avvio sicuro e delicato grazie all'eliminazione dell'urto iniziale.

## MONTAGGIO



#### ATTENZIONE:

- Accertarsi sempre che l'utensile sia spento e staccato dalla presa di corrente prima di qualsiasi intervento su di esso.

### Installazione o rimozione della lama

#### ATTENZIONE:

- Togliete sempre tutti i trucioli e le sostanze estranee attaccate alla lama, fermo lama e/o scivolo. In caso contrario, il serraggio della lama potrebbe essere insufficiente e causare lesioni gravi.


Per installare la lama della sega, assicurarsi sempre che la leva di fermo lama sia in posizione rilasciata  sulla copertura isolante prima di inserire la lama della sega. Se la leva di fermo lama è in posizione fissa, ruotare la leva di fermo lama nella direzione della freccia, in modo che possa essere bloccata in posizione rilasciata . (Fig. 6)

Inserire completamente la lama nel morsetto. La leva della lama ruota e in tal modo la lama viene fissata. Assicurarsi di aver posizionato correttamente la lama tentando di estrarla. La lama non deve muoversi. (Fig. 7)

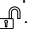
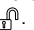
#### NOTA:

- Se non si inserisce la lama sufficientemente dentro, essa potrebbe essere espulsa improvvisamente durante il lavoro. Ciò è estremamente pericoloso.

Se la leva è posizionata verso l'interno dell'utensile, accendere l'utensile per un secondo per far uscire la lama come mostrato in figura.

Spegnere e scollegare l'utensile dalla presa di corrente. Per rimuovere la lama della sega, ruotare completamente la leva di fermo lama nella direzione della freccia. La lama della sega viene rimossa e la leva di fermo lama viene fissata in posizione rilasciata . (Fig. 8)

#### NOTA:

- Tenere le mani e le dita lontano dalla leva durante le operazioni di accensione/spengimento. Il mancato rispetto delle precauzioni di sicurezza può provocare lesioni personali.
- Se si rimuove la lama della sega senza ruotare completamente la leva di fermo lama, la leva potrebbe non venire bloccata in posizione rilasciata . In questo caso, ruotare di nuovo e completamente la leva di fermo lama, ed assicurarsi che la leva di fermo lama sia bloccata in posizione rilasciata .

## LAVORAZIONE (Fig. 9)

#### ATTENZIONE:

- Durante il funzionamento, premere sempre saldamente la scarpa contro il pezzo in lavorazione. Se la scarpa è staccata o non rimane a contatto del pezzo durante la lavorazione, si producono forti vibrazioni e/o torsioni che possono provocare la rottura della lama determinando il rischio di lesioni.
- Quando tagliate metalli, indossate sempre guanti per proteggere le mani da scintille.
- Indossare sempre una protezione adatta per gli occhi conforme agli standard nazionali.
- Quando tagliate metalli, usate sempre un refrigerante adatto (olio refrigerante). Non usare il refrigerante causerà il consumo rapido della lama.

Esercitate forte pressione sulla scarpa affinché stia sempre a contatto col pezzo da lavorare. Non permettete che lo utensile abbia movimenti incontrollati. All'inizio portate lo utensile a leggero contatto con il pezzo da tagliare. Fare prima una scanalatura di prova a bassa velocità. Quindi, continuare a tagliare a una velocità superiore.

## MANUTENZIONE

#### ATTENZIONE:

- Accertarsi sempre che l'utensile sia spento e staccato dalla presa di corrente prima di qualsiasi intervento di ispezione o di manutenzione.
- Evitare assolutamente di usare benzina, diluenti, solventi, alcol o sostanze simili. In caso contrario, potrebbero verificarsi scoloriture, deformazioni o incrinature.

### Sostituzione delle spazzole di carbone (Fig. 10)

Rimuovere e ispezionare regolarmente le spazzole di carbone. Sostituirle quando sono consumate fino al limite di usura. Mantenere pulite le spazzole di carbone, che devono potersi muovere liberamente nel portaspazzole.

Le spazzole di carbone vanno sostituite entrambe allo stesso tempo. Usare soltanto spazzole di carbone identiche.

Per rimuovere le spazzole di carbone, usare un cacciavite. Togliere le spazzole usurate, inserire le nuove e fissare i tappi del portaspazzole. (Fig. 11)

Per preservare la SICUREZZA e l’AFFIDABILITÀ del prodotto, le riparazioni e qualsiasi altro intervento di manutenzione e di regolazione devono essere eseguiti da un centro di assistenza Makita usando ricambi Makita.

- Il valore di emissione delle vibrazioni dichiarato è stato misurato in conformità con il metodo di test standard e può essere utilizzato per confrontare tra loro diversi utensili.
- Il valore dell'emissione delle vibrazioni dichiarato può anche essere usato per stime preliminari dell'esposizione.

#### ⚠ **AVVERTENZA:**

- L'emissione delle vibrazioni durante l'uso effettivo dell'utensile elettrico può risultare diversa rispetto al valore dichiarato, in base alla modalità d'uso dell'utensile.
- Assicurarsi di individuare le necessarie misure di sicurezza per proteggere l'operatore in base a una stima dell'esposizione nelle condizioni reali di utilizzo (prendendo in considerazione tutte le fasi del ciclo operativo, come quante volte l'utensile viene spento e i periodi in cui rimane inattivo, oltre al tempo di avviamento).

## ACCESSORI OPZIONALI

### ⚠ **ATTENZIONE:**

- Si consiglia l'uso dei seguenti accessori per l'utensile Makita descritto in questo manuale. L'uso di qualsiasi altro accessorio potrebbe provocare lesioni personali. Utilizzare gli accessori esclusivamente per l'uso dichiarato.

Per l'assistenza e per ulteriori informazioni su tali accessori, rivolgersi al centro assistenza Makita di zona.

- Lame per seghetto alternativo
- Valigetta portautensile in plastica

### **NOTA:**

- Alcuni degli accessori elencati potrebbero essere inclusi nella confezione dell'utensile come accessori standard. Gli accessori standard possono differire da paese a paese.

### **Rumore**

ENG905-1

Il tipico livello di rumore ponderato "A" è determinato in conformità con la norma EN60745:

#### **Modello JR3060T**

Livello di pressione sonora ( $L_{pA}$ ): 87 dB (A)

Livello di potenza sonora ( $L_{WA}$ ): 98 dB (A)

Variazione (K): 3 dB (A)

#### **Modello JR3070CT**

Livello di pressione sonora ( $L_{pA}$ ): 89 dB (A)

Livello di potenza sonora ( $L_{WA}$ ): 100 dB (A)

Variazione (K): 3 dB (A)

**Indossare una protezione acustica.**

### **Vibrazione**

ENG900-1

Il valore totale della vibrazione (somma vettoriale triassiale) viene determinato in conformità con la norma EN60745:

#### **Modello JR3060T**

Modalità di lavoro: taglio dei pannelli

Emissione di vibrazioni ( $a_{h,B}$ ): 15,5 m/s<sup>2</sup>

Variazione (K): 2,0 m/s<sup>2</sup>

Modalità di lavoro: taglio di travi in legno

Emissione di vibrazioni ( $a_{h,WB}$ ): 21,0 m/s<sup>2</sup>

Variazione (K): 1,5 m/s<sup>2</sup>

#### **Modello JR3070CT**

Modalità di lavoro: taglio dei pannelli

Emissione di vibrazioni ( $a_{h,B}$ ): 9,5 m/s<sup>2</sup>

Variazione (K): 1,5 m/s<sup>2</sup>

Modalità di lavoro: taglio di travi in legno

Emissione di vibrazioni ( $a_{h,WB}$ ): 10,5 m/s<sup>2</sup>

Variazione (K): 1,5 m/s<sup>2</sup>

### **Solo per i paesi europei**

ENH101-17

#### **Dichiarazione di conformità CE**

#### **Makita dichiara che le macchine seguenti:**

Denominazione dell'utensile:

Seghetto diritto

N. modello/Tipo: JR3060T, JR3070CT

#### **sono conformi alle seguenti direttive europee:**

2006/42/EC

Sono prodotte in conformità agli standard o ai documenti standardizzati riportati di seguito:

EN60745

Il documento tecnico ai sensi della Direttiva europea 2006/42/EC è disponibile presso:

Makita, Jan-Baptist Vinkstraat 2, 3070, Belgio

31. 12. 2013



Yasushi Fukaya  
Direttore

Makita, Jan-Baptist Vinkstraat 2, 3070, Belgio

## NEDERLANDS (Originele instructies)

### Verklaring van algemene gegevens

1 Schoen	6 Vergrendelknop	11 Zaagblad
2 Schoenknop	7 Instelwiel	12 Zaagbladklemhendel
3 Instelknop	8 Zaagbladklemmof	13 Limietmarkering
4 Vergrendelknopje	9 Vrije stand	14 Koolborsteldop
5 Trekschakelaar	10 Vaste stand	15 Schroevendraaier

## TECHNISCHE GEGEVENS

Model	JR3060T	JR3070CT
Slaglengte	32 mm	
Max. zaagcapaciteiten	Pijp	130 mm
	Hout	255 mm
Aantal zaagbewegingen/min (min <sup>-1</sup> )	0 - 2.800	
Totale lengte	485 mm	
Netto gewicht	4,4 kg	4,6 kg
Veiligheidsklasse	□/II	

- Als gevolg van ons doorlopende onderzoeks- en ontwikkelingsprogramma, zijn de technische gegevens van dit gereedschap onderhevig aan veranderingen zonder voorafgaande kennisgeving.
- De technische gegevens kunnen van land tot land verschillen.
- Gewicht volgens EPTA-procedure 01/2003


### Doeleinden van gebruik ENE021-1

Dit gereedschap is bedoeld voor het zagen van hout, kunststof, metaal en bouwmaterialen met grote slagsterkte. Het is geschikt voor zowel recht als krom zagen.

### Voeding ENF002-2

Het gereedschap mag uitsluitend worden aangesloten op een voeding met dezelfde spanning als aangegeven op het typeplaatje en werkt alleen op enkele-fase wisselstroom. Het gereedschap is dubbel geïsoleerd en mag derhalve ook op een niet-geaard stopcontact worden aangesloten.

## Algemene veiligheidswaarschuwingen voor elektrisch gereedschap GEA010-1

 **WAARSCHUWING** Lees alle veiligheidswaarschuwingen en alle instructies. Het niet volgen van de waarschuwingen en instructies kan leiden tot elektrische schokken, brand en/of ernstig letsel.

**Bewaar alle waarschuwingen en instructies om in de toekomst te kunnen raadplegen.**

## VEILIGHEIDSWAARSCHUWINGEN SPECIFIEK VOOR EEN RECIPROZAAG GEB008-6

1. **Houd elektrisch gereedschap vast aan het geïsoleerde oppervlak van de handgrepen wanneer u werkt op plaatsen waar het zaagaccessoire met verborgen bedrading of zijn eigen snoer in aanraking kan komen.** Wanneer het zaagaccessoire in aanraking komt met onder spanning staande draden, zullen de niet-geïsoleerde metalen delen van het gereedschap onder spanning komen te staan zodat de gebruiker een elektrische schok kan krijgen.
2. **Gebruik klemmen of andere bevestigingsmiddelen om het werkstuk op een stabiel platform te bevestigen en te ondersteunen.** Het werkstuk is onstabiel en er is gevaar voor controleverlies wanneer u het werkstuk met de hand vasthoudt of het tegen uw lichaam houdt.
3. **Draag altijd een veiligheidsbril of een beschermbril. Een gewone bril of een zonnebril is GEEN veiligheidsbril.**
4. **Vermijd het zagen op spijkers.** Inspecteer het werkstuk alvorens met het zagen te beginnen en haal alle spijkers eruit.
5. **Zaag geen werkstukken die te groot zijn.**
6. **Controleer vooraf of er voldoende ruimte voorbij het werkstuk is, zodat het zaagblad niet tegen de vloer, een werkbank e.d. zal stoten.**
7. **Houd het gereedschap stevig vast.**

8. **Zorg dat het zaagblad het werkstuk niet raakt voordat u de trekschakelaar indrukt.**
9. **Houd uw handen uit de buurt van bewegende delen.**
10. **Laat het gereedschap niet achter terwijl het nog in bedrijf is. Laat het gereedschap alleen draaien wanneer u het met de handen vasthoudt.**
11. **Schakel het gereedschap uit en wacht totdat het zaagblad volledig tot stilstand is gekomen alvorens het zaagblad van het werkstuk te verwijderen.**
12. **Raak het zaagblad of het werkstuk niet aan onmiddellijk na het werk; deze kunnen gloeiend heet zijn en brandwonden veroorzaken.**
13. **Laat het gereedschap niet onbelast draaien wanneer zulks niet nodig is.**
14. **Draag altijd het stofmasker/gasmasker dat geschikt is voor het materiaal en de toepassing waarmee u werkt.**
15. **Sommige materialen bevatten chemische stoffen die vergiftig kunnen zijn. Vermijd inademing van stof en contact met de huid. Volg de veiligheidsinstructies van de leverancier van het materiaal.**

## BEWAAR DEZE VOORSCHRIFTEN.

### WAARSCHUWING:

Laat u **NIET** misleiden door een vals gevoel van comfort en bekendheid met het gereedschap (na veelvuldig gebruik) en neem alle veiligheidsvoorschriften van het betreffende product altijd strikt in acht. **VERKEERD GEBRUIK** of het niet volgen van de veiligheidsinstructies in deze gebruiksaanwijzing kan leiden tot ernstig persoonlijk letsel.

## BESCHRIJVING VAN DE FUNCTIES

### LET OP:

- Controleer altijd of het gereedschap is uitgeschakeld en zijn stekker uit het stopcontact is verwijderd alvorens de functies op het gereedschap te controleren of af te stellen.

### Bijstellen van de schoen (Fig. 1 en 2)

Wanneer een gedeelte van de snede van het zaagblad niet meer goed snijdt, dient u de positie van de schoen bij te stellen om een ongebruikt scherp gedeelte van de snede te gebruiken. Het zaagblad zal dan langer meegaan. Om de schoen bij te stellen, druk de schoenknop in de richting "A" tot u een klikgeluid hoort en stel af op een van de vijf beschikbare posities zoals afgebeeld. Zet de schoen weer vast door de schoenknop in de richting "B" te drukken tot u een klikgeluid hoort.

### De zaagmethode kiezen (Fig. 3)

Dit gereedschap kan worden gebruikt met een pendelende of rechte zaagmethode. In de pendelende zaagmethode wordt het zaagblad tijdens de zaagslag

krachtig naar voren geduwd, waardoor de zaagsnelheid sterk toeneemt.

Als u de zaagmethode wilt veranderen, drukt u het vergrendelknopje in en zet u de instelknop in de gewenste zaagmethodestand. Laat daarna het vergrendelknopje los om de instelknop te vergrendelen. Raadpleeg de onderstaande tabel om de toepasselijke zaagmethode te bepalen.

### OPMERKING:

- Rondgaande beweging betekent dat het zaagblad tegelijkertijd omhoog en omlaag beweegt én naar voren en achteren beweegt. Dit verhoogt de efficiëntie van het zagen.

Stand	Zaagmethode	Toepassing
0	Zagen in een rechte lijn	Voor zagen van zachtstaal, roestvrijstaal en kunststof. Voor schone zaagsnede in hout, multiplex, enz.
I	Zagen met geringe pendelbeweging	Voor zagen van zachtstaal, aluminium en hardhout.
II	Zagen met gemiddelde pendelbeweging	Voor zagen van hout, multiplex, enz. Voor snel zagen van aluminium en zachtstaal.
III	Zagen met sterke pendelbeweging	Voor snel zagen van hout, multiplex, enz.

002525

### Werking van de trekkerschakelaar (Fig. 4)

#### LET OP:

- Alvorens de stekker in een stopcontact te steken, dient u altijd te controleren of de trekkerschakelaar naar behoren werkt en bij loslaten naar de "OFF" positie terugkeert.

Om het gereedschap te starten, drukt u gewoon de trekkerschakelaar in. Hoe groter de druk op de trekkerschakelaar, hoe sneller het gereedschap draait. Laat de trekkerschakelaar los om het gereedschap te stoppen.

Voor continu zagen drukt u de trekkerschakelaar in en dan drukt u de vergrendelknop in.

Om het gereedschap vanuit deze vergrendelde stand te stoppen, drukt u de trekkerschakelaar volledig in en dan laat u hem los.

### Snelheidsinstelwiel (voor JR3070CT) (Fig. 5)

Het aantal slagen per minuut kan worden ingesteld door eenvoudigweg het instelwiel te draaien. Dit kan zelfs worden gedaan terwijl het gereedschap is ingeschakeld. Op het instelwiel wordt de minimumsnelheid aangegeven met 1 en de maximumsnelheid met 6. U kunt het instelwiel traploos draaien tussen 1 en 6 al naar gelang uw werk vereist.

Raadpleeg de tabel om de juiste snelheid te kiezen voor het werkstuk dat moet worden gezaagd. De toepasselijke snelheid kan echter verschillen afhankelijk van het soort en de dikte van het werkstuk. Over het algemeen geldt dat met een hogere snelheid een werkstuk sneller

gezaagd kan worden, maar dat de levensduur van de zaag afneemt.

Nummer op instelwiel	Slagen per minuut
6	2.800
5	2.500
4	1.850
3	1.400
2	1.000
1	950

006574

Te zagen werkstuk	Getal op instelknop
Hout	6
Lichte beton uit autoclaaf	5 - 6
Zacht staal	3 - 4
Aluminium	3 - 5
Kunststof	1 - 4
Roestvrij staal	1 - 2

006584

#### OPMERKING:

- Als het gereedschap continu gedurende een lange tijd op lage snelheid wordt gebruikt, zal de levensduur van de motor worden verkort.
- De snelheidsregelknop kan slechts van 1 tot 6 gedraaid worden. Forceer deze niet voorbij 6 of 1 omdat anders de snelheidsregelfunctie kapot kan gaan.

Gereedschappen uitgerust met een elektronische functie zijn eenvoudig te bedienen vanwege de volgende eigenschappen:

#### Constante snelheidsregeling

Elektronische snelheidsregeling zorgt voor een constante snelheid. U krijgt een gave afwerking omdat de draaisnelheid constant wordt gehouden, zelfs onder belasting.

#### Geleidelijke-startfunctie

Veilig en geleidelijk starten doordat de startschok wordt onderdrukt.

## INEENZETTEN


#### LET OP:


- Zorg altijd dat het gereedschap is uitgeschakeld en zijn stekker uit het stopcontact is verwijderd alvorens enig werk aan het gereedschap uit te voeren.

## Het zaagblad aanbrengen en verwijderen

#### LET OP:


- Verwijder altijd alle spaanders en verontreinigingen van het zaagblad, de zaagbladklem en/of de slede. Indien u dit niet doet, zal het zaagblad niet goed vastgezet zijn, hetgeen ernstige verwonding kan veroorzaken.

Zorg er bij het plaatsen van een zaagblad altijd voor dat de zaagbladklemhendel in de geopende stand  staat op de isolerende behuizing alvorens een zaagblad in te steken. Als de zaagbladklemhendel in de gesloten stand

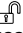

staat, draait u de zaagbladklemhendel in de richting van de pijl zodat deze kan worden vergrendeld in de geopende stand . (Fig. 6)

Steek het zaagblad zo ver mogelijk in de zaagbladklem. De zaagbladklembus draait en het zaagblad wordt vastgezet. Controleer dat het zaagblad er niet uit getrokken kan worden, ook niet als u er aan trekt. (Fig. 7)

#### OPMERKING:

- Als het zaagblad niet diep genoeg erin zit, kan het zaagblad tijdens het zagen onverwachts eruit geworpen worden, hetgeen bijzonder gevaarlijk is. Als de hendel in het gereedschap geplaatst is, schakelt u het gereedschap kortstondig in om het zaagblad eruit te laten komen, zoals aangegeven in de afbeelding. Schakel het gereedschap uit en trek de stekker uit het stopcontact. Om het zaagblad te verwijderen, draait u de zaagbladklemhendel zo ver mogelijk in de richting van de pijl. Het zaagblad wordt verwijderd en de zaagbladklemhendel wordt vergrendeld in de geopende stand . (Fig. 8)

#### OPMERKING:

- Houd uw handen en vingers uit de buurt van de hendel tijdens het inschakelen. Als u dat niet doet, kan persoonlijk letsel ontstaan.
- Als u het zaagblad verwijderd, zonder eerst de zaagbladklemhendel zo ver mogelijk te draaien, kan de hendel niet in de geopende stand  vergrendeld worden. In dat geval draait u nogmaals de zaagbladklemhendel zo ver mogelijk en controleert u dat de zaagbladklemhendel is vergrendeld in de geopende stand .

## BEDIENING (Fig. 9)

#### LET OP:

- Druk tijdens gebruik de schoen altijd stevig tegen het werkstuk. Als de schoen is verwijderd of tijdens het gebruik op afstand van het werkstuk wordt gehouden, zullen sterke trillingen en/of draaibewegingen het gevolg zijn waardoor het zaagblad op een gevaarlijke manier kan afbreken.
  - Trek voor zagen in metaal altijd handschoenen aan om uw handen te beschermen tegen wegvliegende hete metaaldeeltjes.
  - Draag altijd geschikte oogbescherming die voldoet aan de geldende plaatselijke normen.
  - Gebruik voor zagen in metaal altijd een geschikt koelmiddel (snijolie). Laat u dit na dan zal de gebruiksduur van het zaagblad voortijdig worden verkort.
- Druk de schoen flink tegen het werkstuk aan. Zorg ervoor dat het gereedschap geen schokken maakt. Breng vervolgens het zaagblad in contact met het werkstuk. Maak eerst een geleidingsleuf met behulp van een lage zaagsnelheid. Gebruik daarna een hogere snelheid om verder te zagen.

# ONDERHOUD

ENG900-1

## LET OP:

- Zorg altijd dat het gereedschap is uitgeschakeld en zijn stekker uit het stopcontact is verwijderd alvorens te beginnen met inspectie of onderhoud.
- Gebruik nooit benzine, wasbenzine, thinner, alcohol, enz. Dit kan leiden tot verkleuren, vervormen of barsten.

## Vervangen van de koolborstels (Fig. 10)

Verwijder en controleer regelmatig de koolborstels. Vervang de koolborstels wanneer deze tot aan de limietmerkstreep versleten zijn. Houd de koolborstels schoon zodat ze vlot in hun houders glijden. Beide koolborstels dienen tegelijkertijd te worden vervangen. Gebruik uitsluitend identieke koolborstels. Gebruik een schroevendraaier om de koolborsteldoppen te verwijderen. Haal de versleten koolborstels eruit, schuif de nieuwe erin, en zet de koolborsteldoppen goed vast. (Fig. 11)

Om de VEILIGHEID en BETROUWBAARHEID van het gereedschap te handhaven, dienen alle reparaties, onderhoud of afstellingen te worden uitgevoerd bij een erkend Makita servicecentrum, en altijd met gebruik van Makita vervangingsonderdelen.

## VERKRIJGBARE ACCESSOIRES

### ⚠ LET OP:

- Deze accessoires of hulpstukken worden aanbevolen voor gebruik met het Makita-gereedschap dat in deze gebruiksaanwijzing wordt beschreven. Het gebruik van andere accessoires of hulpstukken kan gevaar voor persoonlijk letsel opleveren. Gebruik de accessoires of hulpstukken uitsluitend voor de aangegeven gebruiksdoeleinden.

Mocht u meer informatie willen hebben over deze accessoires, dan kunt u contact opnemen met uw plaatselijke Makita-servicecentrum.

- Recipro-zaagbladen
- Kunststof koffer

### OPMERKING:

- Sommige items op de lijst kunnen zijn inbegrepen in de doos van het gereedschap als standaard toebehoren. Zij kunnen van land tot land verschillen.

### Geluid

ENG905-1

Het standaard A-gewogen geluidsniveau zoals vastgesteld conform EN60745:

#### Model JR3060T

Geluidsdrukkniveau ( $L_{pA}$ ): 87 dB (A)  
Geluidsvermogeniveau ( $L_{wA}$ ): 98 dB (A)  
Onzekerheid (K): 3 dB (A)

#### Model JR3070CT

Geluidsdrukkniveau ( $L_{pA}$ ): 89 dB (A)  
Geluidsvermogeniveau ( $L_{wA}$ ): 100 dB (A)  
Onzekerheid (K): 3 dB (A)

**Draag gehoorbescherming.**

### Trilling

De totale trilwaarde (triaxiale vectorsom) zoals vastgesteld volgens EN60745:

#### Model JR3060T

Gebruikstoepassing: zagen van platen  
Trillingsemisatie ( $a_{h,B}$ ): 15,5 m/s<sup>2</sup>  
Onzekerheid (K): 2,0 m/s<sup>2</sup>

Gebruikstoepassing: zagen van houden balken  
Trillingsemisatie ( $a_{h,WB}$ ): 21,0 m/s<sup>2</sup>  
Onzekerheid (K): 1,5 m/s<sup>2</sup>

#### Model JR3070CT

Gebruikstoepassing: zagen van platen  
Trillingsemisatie ( $a_{h,B}$ ): 9,5 m/s<sup>2</sup>  
Onzekerheid (K): 1,5 m/s<sup>2</sup>

Gebruikstoepassing: zagen van houden balken  
Trillingsemisatie ( $a_{h,WB}$ ): 10,5 m/s<sup>2</sup>  
Onzekerheid (K): 1,5 m/s<sup>2</sup>

ENG901-1

- De opgegeven trillingsemisatiewaarde is gemeten volgens de standaardtestmethode en kan worden gebruikt om dit gereedschap te vergelijken met andere gereedschappen.
- De opgegeven trillingsemisatiewaarde kan ook worden gebruikt voor een beoordeling vooraf van de blootstelling.

### ⚠ WAARSCHUWING:

- De trillingsemisatie tijdens het gebruik van het elektrisch gereedschap in de praktijk kan verschillen van de opgegeven trillingsemisatiewaarde afhankelijk van de manier waarop het gereedschap wordt gebruikt.
- Zorg ervoor dat veiligheidsmaatregelen worden getroffen ter bescherming van de operator die zijn gebaseerd op een schatting van de blootstelling onder praktijkomstandigheden (rekening houdend met alle fasen van de bedrijfsfscyclus, zoals de tijdsduur gedurende welke het gereedschap is uitgeschakeld en stationair draait, naast de ingeschakelde tijdsduur).

### Alleen voor Europese landen

ENH101-17

### EU-verklaring van conformiteit

### Makita verklaart dat de volgende machine(s):

Aanduiding van de machine:

Reciprozaag

Modelnr./Type: JR3060T, JR3070CT

### Voldoen aan de volgende Europese richtlijnen:

2006/42/EG

Deze zijn gefabriceerd in overeenstemming met de volgende normen of genormaliseerde documenten:

EN60745

Het technische bestand volgens 2006/42/EG is

verrijgbaar bij:

Makita, Jan-Baptist Vinkstraat 2, 3070, België

31. 12. 2013

Yasushi Fukaya  
Directeur

Makita, Jan-Baptist Vinkstraat 2, 3070, België

# ESPAÑOL (Instrucciones originales)

## Explicación de los dibujos

1 Zapata	7 Dial de ajuste	12 Palanca de sujeción de hoja de la sierra
2 Botón de la zapata	8 Manga de sujeción de hoja de la sierra	13 Marca de límite
3 Palanca	9 Posición liberada	14 Tapa del portaescobillas
4 Clavija de retención	10 Posición fija	15 Destornillador
5 Interruptor de gatillo	11 Sierra	
6 Botón de bloqueo		

## ESPECIFICACIONES

Modelo	JR3060T	JR3070CT
Longitud de carrera	32 mm	
Capacidades máximas de corte	Tubería	130 mm
	Madera	255 mm
Carreras por minuto (min <sup>-1</sup> )	0 - 2.800	
Longitud total	485 mm	
Peso neto	4,4 kg	4,6 kg
Clase de seguridad	□/II	

- Debido a nuestro programa continuo de investigación y desarrollo, las especificaciones aquí descritas están sujetas a cambios sin previo aviso.
- Las especificaciones pueden ser diferentes de un país a otro.
- Peso de acuerdo con el procedimiento EPTA 01/2003

### Uso previsto

ENE021-1

La herramienta ha sido prevista para cortar madera, plástico, metal y materiales de construcción con un impacto fuerte. Es apropiada para cortes rectos y curvos.

### Alimentación

ENF002-2

La herramienta debe conectarse solamente a una fuente de alimentación de la misma tensión que la indicada en la placa de características, y sólo puede funcionar con corriente alterna monofásica. La herramienta cuenta con un doble aislamiento y puede, por lo tanto, usarse también en tomacorrientes sin conductor de tierra.

## Advertencias de seguridad generales para herramientas eléctricas

GEA010-1

**⚠ ADVERTENCIA** Lea todas las advertencias de seguridad y todas las instrucciones. La no observancia de las advertencias y las instrucciones puede provocar descargas eléctricas, incendios y/o lesiones graves.

## Guarde todas las advertencias e instrucciones para futuras consultas.

## ADVERTENCIAS DE SEGURIDAD PARA LA SIERRA DE SABLE

GEB008-6

1. Sujete la herramienta eléctrica por las superficies de agarre aisladas al realizar una operación en que el accesorio de corte pueda entrar en contacto con cables ocultos o con su propio cable. Si entra en contacto con un cable con corriente, puede que las piezas metálicas expuestas de la herramienta eléctrica se carguen también de corriente y que el operario reciba una descarga.
2. Utilice mordazas u otros medios de sujeción prácticos para sujetar y apoyar la pieza de trabajo en una plataforma estable. Sujetada con la mano o contra su cuerpo, la pieza de trabajo estará inestable y podrá ocasionar la pérdida del control.
3. Utilice siempre gafas de seguridad o pantalla facial. Las gafas normales o de sol NO sirven para proteger los ojos.
4. Evite cortar clavos. Inspeccione la pieza de trabajo y extraiga todos los clavos antes de empezar a cortar.
5. No corte piezas de trabajo más grandes de lo especificado.
6. Verifique que haya espacio suficiente debajo de la pieza de trabajo antes de empezar a cortar, de forma que la sierra no golpee contra el suelo, el banco de trabajo, etc.
7. Sujete firmemente la herramienta.
8. Asegúrese de que la sierra no esté tocando la pieza de trabajo antes de activar el interruptor.
9. Mantenga las manos alejadas de las partes en movimiento.
10. No deje la herramienta encendida. Póngala en marcha solamente cuando la tenga en las manos.
11. Apague la herramienta y espere siempre hasta que la hoja de sierra se haya parado completamente antes de retirarla de la pieza de trabajo.



12. **No toque la sierra ni la pieza de trabajo inmediatamente después la tarea de corte; podrían estar muy calientes y producirle quemaduras de piel.**
13. **No utilice la herramienta en vacío innecesariamente.**
14. **Utilice siempre la mascarilla contra el polvo/ respirador correcto para el material y aplicación con que esté trabajando.**
15. **Algunos materiales contienen sustancias químicas que podrán ser tóxicas. Tenga precaución para evitar la inhalación de polvo y el contacto con la piel. Siga los datos de seguridad del abastecedor del material.**

## GUARDE ESTAS INSTRUCCIONES.

### ADVERTENCIA:

No deje que la comodidad o la familiaridad con el producto (a base de utilizarlo repetidamente) sustituya la estricta observancia de las normas de seguridad del producto en cuestión. El MAL USO o la no observancia de las normas de seguridad expuestas en este manual de instrucciones pueden ocasionar graves daños corporales.

## DESCRIPCIÓN DEL FUNCIONAMIENTO

### PRECAUCIÓN:

- Asegúrese siempre de que la herramienta esté apagada y desenchufada antes de intentar realizar cualquier tipo de ajuste o comprobación en la ella.

### Regulación de la zapata (Fig. 1 y 2)

Cuando la hoja de sierra pierda su eficacia de corte en un lugar a lo largo de su borde cortante, reposicione la zapata para utilizar una porción afilada y sin usar de su borde cortante. Esto ayudará a alargar la vida de servicio de la hoja de sierra. Para reposicionar la zapata, presione el botón de la zapata en la dirección "A" hasta oír un chasquido y reposiciónela como se muestra en la figura, lo cual le permitirá hacer un ajuste de cinco formas. Para sujetar la zapata, presione el botón de la zapata en la dirección "B" hasta oír un chasquido.

### Selección de la acción de corte (Fig. 3)

Esta herramienta puede operarse con una acción de corte en línea recta u orbital. La acción de corte orbital empuja la hoja hacia adelante en el golpe de corte y aumenta significativamente la velocidad de corte.

Para cambiar la acción de corte, pulse la clavija de retención y gire la palanca a la posición de la acción de corte deseada. Luego suelte la clavija de retención para trabar la palanca. Consulte la tabla para seleccionar la acción de corte adecuada.

### NOTA:

- La acción orbital significa que la hoja de la sierra se mueve hacia arriba y hacia abajo, y hacia adelante y hacia atrás al mismo tiempo. Esta acción aumenta la eficacia de corte.

Posición	Acción de corte	Aplicaciones
0	Acción de corte en línea recta	Para cortar acero inoxidable, acero dulce y plástico. Para cortes limpios en madera y madera terciada.
I	Acción de corte orbital pequeño	Para cortar aluminio, acero dulce y madera dura.
II	Acción de corte orbita mediano	Para cortar madera y madera terciada. Para cortar rápidamente aluminio y acero dulce.
III	Acción de corte orbita grande	Para cortar rápidamente madera y madera terciada.

002525

### Funcionamiento del interruptor (Fig. 4)

#### PRECAUCIÓN:

- Antes de enchufar la herramienta, asegúrese siempre de que el gatillo funcione como es debido y de que vuelva a la posición "OFF" (apagado) al soltarlo.

Para poner en marcha la herramienta, simplemente apriete el gatillo. La velocidad de la herramienta incrementa aumentando la presión en el gatillo. Suelte el gatillo para parar. Para una operación continua, apriete el gatillo y después meta el botón de bloqueo.

Para parar la herramienta estando en la posición bloqueada, apriete completamente el gatillo y luego suéltelo.

### Dial de ajuste de velocidad (para el modelo JR3070CT) (Fig. 5)

Los golpes por minuto pueden ajustarse girando el dial de ajuste. Esto se puede hacer incluso cuando la herramienta se encuentra en funcionamiento. El dial está marcado desde el número 1 (velocidad mínima) hasta el 6 (velocidad máxima). Gire el dial de ajuste sin topes positivos entre 1 y 6, de acuerdo con el trabajo que realice.

Consulte la tabla para seleccionar la velocidad apropiada para la pieza de trabajo que vaya a cortar. Sin embargo, la velocidad apropiada podrá variar con el tipo o grosor de la pieza de trabajo. En general, una velocidad más alta le permitirá cortar la pieza de trabajo más rápidamente pero la vida de servicio del disco se reducirá.

Número en el dial de ajuste	Golpes por minuto
6	2.800
5	2.500
4	1.850
3	1.400
2	1.000
1	950

006574

Pieza de trabajo a cortar	Número en el dial de ajuste
Madera	6
Hormigón liviano curado con vapor de agua a gran presión	5 - 6
Acero suave	3 - 4
Aluminio	3 - 5
Plásticos	1 - 4
Acero inoxidable	1 - 2

006584

#### NOTA:

- Si la herramienta se utiliza de forma continua a bajas velocidades durante un período de tiempo prolongado, la vida útil del motor se verá reducida.
- El dial de regulación de la velocidad puede girarse hasta 6 y de vuelta hasta 1 solamente. No lo fuerce más allá de 6 ó 1, o la función de ajuste de velocidad podrá dejar de funcionar.

Las herramientas equipadas con función electrónica son fáciles de utilizar gracias a las siguientes características.

#### Constante control de la velocidad

Control de velocidad electrónico para obtener velocidad constante. Se puede lograr un acabado fino, porque la velocidad de giro se mantiene constante incluso en condición de carga.

#### Función de inicio suave

Inicio seguro y suave gracias a la supresión del golpe de arranque.

## MONTAJE

#### PRECAUCIÓN:



- Asegúrese siempre de que la herramienta esté apagada y desenchufada antes de intentar realizar cualquier trabajo en ella.

### Instalación o extracción de la hoja de sierra

#### PRECAUCIÓN:

- Limpie siempre la virutas y materias extrañas adheridas a la cuchilla, abrazadera de la cuchilla y/o guía de deslizamiento. En caso contrario, la cuchilla podrá quedar insuficientemente apretada, pudiendo ocasionar graves heridas.

Para instalar la hoja de la sierra, siempre asegúrese de que la palanca de sujeción de hoja de la sierra se

encuentre en la posición liberada  en la cubierta de aislamiento antes de insertar la hoja de la sierra. En cambio, si la palanca de sujeción de hoja de la sierra se encuentra en posición fija, gírela en el sentido de la flecha para que pueda trabarse en la posición liberada .


#### (Fig. 6)

Inserte la hoja de sierra en la sujeción de la hoja tanto como sea posible. La palanca de sujeción de la hoja gira y la hoja de sierra queda fija. Asegúrese de que no es posible extraer la hoja de sierra incluso si tira de ella.

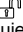

#### (Fig. 7)

#### NOTA:

- Si no inserta la hoja de sierra suficientemente a tope, la hoja de sierra podrá salirse inesperadamente durante la operación. Esto puede ser muy peligroso.

Si la palanca se encuentra dentro de la herramienta, encienda la herramienta durante un segundo para permitir que la hoja salga como se muestra en la figura. Apague la herramienta y desenchúfela de la red eléctrica. Para extraer la hoja de la sierra, gire completamente la palanca de sujeción de ésta en la dirección de la flecha. Se extrae la hoja de la sierra y su palanca se fija en la posición liberada . (Fig. 8)

#### NOTA:

- Mantenga las manos y los dedos alejados de la palanca durante la operación de encendido o apagado. En caso contrario se pueden producir lesiones personales.
- Si extrae la hoja de sierra sin girar completamente su palanca de sujeción, es posible que la palanca no quede trabada en la posición liberada . En este caso, gire nuevamente la palanca de sujeción de la hoja de la sierra completamente, y luego asegúrese de que haya quedado trabada en la posición liberada .

## FUNCIONAMIENTO (Fig. 9)

#### PRECAUCIÓN:

- Presione siempre la zapata firmemente contra la pieza de trabajo durante el manejo. Si durante el manejo se retira o se separa la zapata de la pieza de trabajo, se pueden producir fuertes vibraciones y/o retorcimientos, con el consecuente riesgo de que la hoja de sierra se parta de forma peligrosa.
- Lleve siempre puestos guantes para proteger las manos de las rebabas calientes que salten al cortar metales.
- Asegúrese de ponerse siempre protección para los ojos apropiada que cumpla con las normas nacionales actuales.
- Utilice siempre líquido refrigerante apropiado (lubricante para cuchillas) al cortar metales. De no hacerlo, la cuchilla se desgastará más rápido.

Apreté la zapata bien fuerte contra la pieza que piensa trabajar. No permita que la herramienta dé saltos. Coloque la cuchilla de manera que toque suavemente la pieza a trabajar. Primero, realice una muesca de prueba con una velocidad lenta. A continuación, acelere la velocidad para continuar cortando.

# MANTENIMIENTO

## PRECAUCIÓN:

- Asegúrese siempre de que la herramienta esté apagada y desenchufada antes de intentar realizar la inspección o el mantenimiento.
- Nunca utilice gasolina, benceno, disolvente, alcohol o un producto similar. Se puede provocar una decoloración, una deformación o grietas.

## Reemplazo de las escobillas de carbón (Fig. 10)

Extraiga y compruebe las escobillas de carbón regularmente. Reemplácelas cuando se hayan gastado hasta la marca de límite. Mantenga las escobillas de carbón limpias y de forma que entren libremente en el portaescobillas. Ambas escobillas de carbón deberán ser reemplazadas al mismo tiempo. Utilice únicamente escobillas de carbón idénticas.

Utilice un destornillador para quitar los tapones portaescobillas. Extraiga las escobillas gastadas, inserte las nuevas y vuelva a fijar los tapones portaescobillas.

### (Fig. 11)

Para mantener la SEGURIDAD y FIABILIDAD del producto, las reparaciones, y cualquier otra tarea de mantenimiento o ajuste deberán ser realizadas en Centros de servicio autorizados por Makita, empleando siempre repuestos Makita.

## ACCESORIOS OPCIONALES

### ⚠ PRECAUCIÓN:

- Se recomienda el uso de estos accesorios o complementos con la herramienta Makita especificada en este manual. El uso de otros accesorios o complementos puede conllevar el riesgo de ocasionar daños corporales. Utilice los accesorios o complementos solamente para su fin establecido.

Si necesita cualquier ayuda para obtener más información relativa a estos accesorios, pregunte a su centro de servicio Makita local.

- Hojas de sierra de sable
- Maletín de plástico para el transporte

### NOTA:

- Algunos elementos de la lista se pueden incluir en el paquete de la herramienta como accesorios estándar. Pueden ser diferentes de un país a otro.

### Ruido

ENG905-1

Nivel de ruido típico de ponderación A establecido según EN60745:

#### Modelo JR3060T

Nivel de presión de sonido ( $L_{pA}$ ): 87 dB (A)  
Nivel de potencia de sonido ( $L_{WA}$ ): 98 dB (A)  
Incertidumbre (K): 3 dB (A)

#### Modelo JR3070CT

Nivel de presión de sonido ( $L_{pA}$ ): 89 dB (A)  
Nivel de potencia de sonido ( $L_{WA}$ ): 100 dB (A)  
Incertidumbre (K): 3 dB (A)

Utilice protección para los oídos.

### Vibración

ENG900-1

Valor total de vibración (suma de vectores triaxiales) establecido según la EN60745:

#### Modelo JR3060T

Modo de trabajo: corte de tablas  
Emisión de vibraciones ( $a_{h,B}$ ): 15,5 m/s<sup>2</sup>  
Incertidumbre (K): 2,0 m/s<sup>2</sup>

Modo de trabajo: corte de piezas de madera  
Emisión de vibraciones ( $a_{h,WB}$ ): 21,0 m/s<sup>2</sup>  
Incertidumbre (K): 1,5 m/s<sup>2</sup>

#### Modelo JR3070CT

Modo de trabajo: corte de tablas  
Emisión de vibraciones ( $a_{h,B}$ ): 9,5 m/s<sup>2</sup>  
Incertidumbre (K): 1,5 m/s<sup>2</sup>

Modo de trabajo: corte de piezas de madera  
Emisión de vibraciones ( $a_{h,WB}$ ): 10,5 m/s<sup>2</sup>  
Incertidumbre (K): 1,5 m/s<sup>2</sup>

ENG901-1

- El valor de emisión de vibraciones se ha medido de acuerdo con el método de prueba estándar y se puede utilizar para comparar herramientas.
- El valor de emisión de vibraciones declarado también se puede usar en una evaluación preliminar de la exposición.

### ⚠ ADVERTENCIA:

- La emisión de vibraciones durante el uso de la herramienta eléctrica puede diferir del valor de emisiones declarado, dependiendo de las formas en que se utiliza la herramienta.
- Asegúrese de identificar las mediciones correctas para proteger al operario, que se basan en una estimación de la exposición en condiciones de uso reales (teniendo en cuenta todas las partes del ciclo de operaciones, como los momentos en los que la herramienta está apagada y cuando funciona al ralentí además del tiempo en que está activado el interruptor).

### Solo para países europeos

ENH101-17

#### Declaración de conformidad de la CE

#### Makita declara que las siguientes máquinas:

Designación de la máquina:

Sierra de sable

Nº de modelo/Tipo: JR3060T, JR3070CT

#### Cumplen con las siguientes Directivas europeas:

2006/42/CE

Se han fabricado de acuerdo con los siguientes estándares o documentos estandarizados:

EN60745

El archivo técnico de acuerdo con 2006/42/CE está disponible en:

Makita, Jan-Baptist Vinkstraat 2, 3070, Bélgica

31. 12. 2013



Yasushi Fukaya

Director

Makita, Jan-Baptist Vinkstraat 2, 3070, Bélgica

# PORTUGUÊS (Instruções de origem)

## Explicação geral

1 Sapata	6 Botão de bloqueio	11 Lâmina
2 Botão da sapata	7 Botão regulador	12 Alavanca do grampo da lâmina
3 Alavanca	8 Manga do grampo da lâmina	13 Marca limite
4 Batente	9 Posição libertada	14 Tampa do porta-escovas
5 Gatilho	10 Posição fixa	15 Chave de fenda

## ESPECIFICAÇÕES

Modelo	JR3060T	JR3070CT
Comprimento de corte	32 mm	
Capacidade max. de corte	Tubo	130 mm
	Madeira	255 mm
Movimentos/min ( $\text{min}^{-1}$ )	0 - 2.800	
Comprimento total	485 mm	
Peso	4,4 kg	4,6 kg
Classe de segurança	□/II	

- Devido à pesquisa e desenvolvimento constantes, estas especificações estão sujeitas a alteração sem aviso prévio.
- Estas especificações podem diferir de país para país.
- Peso de acordo com procedimento EPTA de 01/2003


### Utilização a que se destina ENE021-1

Esta ferramenta destina-se a cortar madeira, plástico, metal e materiais de construção de forte impacto. É adequada para cortes rectos e curvos.

### Fonte de alimentação ENF002-2

A ferramenta apenas deve ser ligada a uma fonte de alimentação da mesma tensão que a indicada na chapa de especificações, e apenas pode funcionar com uma alimentação CA monofásica. Estão blindadas duplamente e podem, assim, ser igualmente ligadas a tomadas sem fio terra.

## Avisos gerais de segurança para ferramentas eléctricas GEA010-1

 **AVISO** Leia todos os avisos de segurança e todas as instruções. O não cumprimento dos avisos e instruções pode resultar na ocorrência de choques eléctricos, incêndios e/ou ferimentos graves.

## Guarde todos os avisos e instruções para referência futura.

## AVISOS DE SEGURANÇA PARA A SERRA DE SABRE GEB008-6

1. Quando executar operações em que acessórios de corte possam entrar em contacto com fios eléctricos ocultos ou com próprio cabo eléctrico da ferramenta, tenha o cuidado de tocar apenas nas superfícies isoladas desses acessórios. O acessório de corte em contacto com um fio eléctrico ligado à corrente pode electrificar as peças de metal da ferramenta e provocar um choque.
2. **Utilize grampos ou qualquer outro modo prático para prender e suportar a peça de trabalho numa superfície estável.** Pegar na peça com as mãos ou contra o seu corpo deixa-o instável e pode originar perda de controlo.
3. **Utilize sempre óculos de segurança. Óculos normais ou de sol NÃO são óculos de segurança.**
4. **Evite cortar pregos. Inspeccione a peça de trabalho e se tiver pregos, tire-os.**
5. **Não corte peças de trabalho de tamanho muito grande.**
6. **Verifique se tem a folga adequada sob a peça de trabalho antes de cortar, de modo a que a lâmina não bata no chão, bancada, etc.**
7. **Agarre na ferramenta firmemente.**
8. **Certifique-se de que a ferramenta não está em contacto com a peça de trabalho antes de ligar o interruptor.**
9. **Mantenha as mãos afastadas das partes móveis.**
10. **Não deixe a ferramenta a funcionar. Funcione com a ferramenta só quando estiver a agarrá-la.**
11. **Desligue sempre a ferramenta e espere que a lâmina esteja completamente parada antes de retirar a lâmina da peça de trabalho.**
12. **Não toque na lâmina ou na peça de trabalho imediatamente depois da operação pois podem estar extremamente quentes e queimar-se.**
13. **Não funcione com a ferramenta em vazio desnecessariamente.**

14. Utilize sempre a máscara de pó/respirador correcto para o material e aplicação que está a trabalhar.
15. Alguns materiais contêm químicos que podem ser tóxicos. Tenha cuidado para evitar inalação de pó e contacto com a pele. Siga o dados de segurança do fornecedor do material.

## GUARDE ESTAS INSTRUÇÕES.

### AVISO:

**NÃO** deixe que o progressivo à vontade com o produto (resultante de uma utilização frequente) o faça esquecer o estrito cumprimento das regras de segurança de utilização do produto. A UTILIZAÇÃO INCORRECTA ou o não cumprimento das regras de segurança fornecidas neste manual de instruções podem provocar ferimentos graves.

## DESCRIÇÃO DO FUNCIONAMENTO

### PRECAUÇÃO:

- Certifique-se sempre de que a ferramenta está desligada e com a ficha retirada da tomada, antes de proceder a afinações ou de verificar o funcionamento respectivo.

### Ajustar a sapata (Fig. 1 e 2)

Quando a lâmina perde a capacidade de corte num ponto da sua extremidade de corte, repositore a sapata para utilizar uma porção afiada, não utilizada da sua extremidade de corte. Isto ajudará a prolongar a vida útil da lâmina. Para repositore a sapata, empurre o botão da sapata na direcção "A" com um clique e repositore como indicado na figura o que lhe permite fazer ajustamentos em cinco direcções. Para prender a sapata, empurre o botão da sapata na direcção "B" com um clique.

### Seleção da acção de corte (Fig. 3)

Esta ferramenta pode ser utilizada com uma acção de corte em linha recta ou orbital. A acção de corte orbital impulsiona o avanço da lâmina no curso do trabalho e aumenta significativamente a velocidade de corte. Para alterar a acção de corte, prima o batente e rode a alavanca para a posição da acção de corte pretendida. De seguida, solte o batente para bloquear a alavanca. Consulte a acção de corte adequada na tabela.

### NOTA:

- Acção orbital significa que o movimento da lâmina da serra é feito simultaneamente para cima e para baixo, para trás e para a frente. Isto aumenta a eficiência do corte.

Posição	Acção de corte	Aplicações
0	Acção de corte em linha recta	Para cortar aço macio, aço inoxidável e plásticos. Para cortes perfeitos em madeira e contraplacado.
I	Acção de corte orbital reduzido	Para cortar aço macio, alumínio e madeira dura.
II	Acção de corte orbital médio	Para cortar madeira e contraplacado. Para um corte rápido em alumínio e aço macio.
III	Acção de corte orbital grande	Para um corte rápido em madeira e contraplacado.

002525

## Funcionamento (Fig. 4)

### PRECAUÇÃO:

- Antes de ligar a ferramenta, verifique sempre se o gatilho funciona correctamente e volta à posição OFF, quando o solta.

Para ligar a ferramenta, carregue simplesmente no gatilho. A velocidade da ferramenta aumenta de acordo com a pressão no gatilho. Liberte o gatilho para parar.

Para operação contínua, carregue no gatilho e em seguida empurre o botão de bloqueio.

Para parar a ferramenta, estando na posição de bloqueio, carregue completamente no gatilho e em seguida liberte-o.

### Botão regulador da velocidade (Para o modelo JR3070CT) (Fig. 5)

Os impulsos por minuto podem ser regulados, rodando o botão regulador. Isto pode ser feito mesmo com a ferramenta em funcionamento. O botão marca 1 (velocidade mais baixa) a 6 (velocidade mais alta). Rode o botão regulador sem paragens positivas entre 1 e 6, de acordo com o trabalho que está a realizar. Consulte a tabela para seleccionar a velocidade adequada à peça que quer cortar. No entanto, a velocidade correcta pode variar com o tipo ou a espessura da peça. De uma maneira geral as velocidades mais altas permitem-lhe cortar as peças mais depressa mas a duração da lâmina diminui.

Número no botão regulador	Impulsos por minuto
6	2.800
5	2.500
4	1.850
3	1.400
2	1.000
1	950

006574

Peça a cortar	Número do botão de regulação
Madeira	6
Betão leve autoclavado	5 - 6
Aço macio	3 - 4
Alumínio	3 - 5
Plástico	1 - 4
Aço inoxidável	1 - 2

006584

#### NOTA:

- Se a ferramenta for utilizada continuamente a baixas velocidades durante um longo período, o tempo de vida útil do motor será reduzida.
- Pode rodar o anel de regulação da velocidade até 6 e depois de novo para 1. Não o force para além de 6 ou 1, pois se o fizer, a função de regulação pode deixar de funcionar.

As ferramentas equipadas com funções electrónicas são fáceis de utilizar devido às funções indicadas a seguir.

#### Controlo de velocidade constante

Controlo electrónico da velocidade para obter uma velocidade constante. Pode obter um acabamento de qualidade porque a velocidade de rotação se mantém constante mesmo em condições difíceis.

#### Função de arranque suave

Segurança e arranque suave pois anula o choque do arranque.

## MONTAGEM


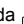
#### PRECAUÇÃO:

- Certifique-se sempre de que a ferramenta está desligada e com a ficha retirada da tomada, antes de efectuar qualquer trabalho na ferramenta.

### Instalar ou remover a lâmina

#### PRECAUÇÃO:

- Limpe sempre quaisquer partículas ou matérias estranhas que tenham aderido à lâmina, suporte da lâmina e/ou ao cursor. Se assim não for, pode causar aperto insuficiente da lâmina e danos sérios.


Para instalar a lâmina da serra, antes de a introduzir, certifique-se de que a alavanca do grampo da lâmina está na posição libertada  na tampa de isolamento. Se a alavanca do grampo da lâmina estiver na posição fixa, rode a alavanca na direcção da seta de modo a bloqueá-la na posição libertada . (Fig. 6)

Introduza a lâmina ao máximo no grampo da lâmina. A alavanca do grampo da lâmina roda e a lâmina fica fixa. Certifique-se de que a lâmina não pode ser retirada, mesmo que a tente puxar para fora. (Fig. 7)

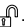

#### NOTA:

- Se não colocar a lâmina da serra suficientemente fundo, a lâmina da serra pode ser expelida inesperadamente durante a operação. Pode ser extremamente perigoso.

Se a alavanca estiver posicionada no interior da ferramenta, ligue a ferramenta por breves segundos, para permitir a saída da lâmina, tal como indicado na figura. Desligue a ferramenta e retire a respectiva ficha da tomada.

Para retirar a lâmina da serra, rode a alavanca do grampo da lâmina totalmente na direcção da seta. A lâmina da serra pode ser retirada e a alavanca do grampo da lâmina fixa-se na posição libertada . (Fig. 8)

#### NOTA:

- Mantenha mãos e dedos afastados da alavanca durante a operação de activação. Caso contrário, poderá sofrer ferimentos.
- Se retirar a lâmina da serra sem rodar totalmente a alavanca do grampo da lâmina, a alavanca poderá não se fixar na posição libertada . Neste caso, deverá rodar novamente a alavanca do grampo da lâmina na totalidade e, depois, certificar-se de que esta está bloqueada na posição libertada .

## OPERAÇÃO (Fig. 9)

#### PRECAUÇÃO:

- Prima sempre firmemente a sapata contra a peça de trabalho durante o funcionamento. Se a sapata for removida ou mantida longe da peça de trabalho durante o funcionamento, ocorrerão vibrações e/ou torções, fazendo com que a lâmina salte perigosamente.
- Quando cortar metal use sempre luvas para proteger as mãos das fagulhas que saltam.
- Certifique-se sempre de que usa protecção para os olhos adequada que esteja de acordo com as normas nacionais actuais.
- Utilize sempre um lubrificante adequado (óleo para cortes) quando cortar metal, a fim de evitar o desgaste prematuro da lâmina.

Pressione a sapata firmemente contra superfície de trabalho. Não deixe a ferramenta bater. Exerça uma ligeira pressão na lâmina sobre a superfície de trabalho. Em primeiro lugar, faça uma ranhura piloto utilizando uma velocidade mais lenta. De seguida, utilize uma velocidade mais rápida para continuar a cortar.

## MANUTENÇÃO

#### PRECAUÇÃO:

- Certifique-se sempre de que a ferramenta está desligada e com a ficha retirada da tomada antes de tentar proceder à inspecção, ou à manutenção da ferramenta.
- Nunca utilize gasolina, benzina, diluente, álcool ou semelhante. Podem formar-se descolorações, deformações ou fissuras.

### Substituição das escovas de carvão (Fig. 10)

Desmonte e verifique as escovas de carvão regularmente. Substitua-as quando estas apresentarem um desgaste até à marca limite. Mantenha as escovas de carvão limpas e soltas, podendo deslizar nos suportes.

Ambas as escovas de carvão devem ser substituídas em simultâneo. Utilize exclusivamente escovas de carvão idênticas.

Recorra a uma chave de fendas para retirar as tampas dos suportes de escovas. Retire as escovas de carvão gastas, introduza as novas e fixe as tampas dos suportes. (Fig. 11)

Para manter a SEGURANÇA e a FIABILIDADE do produto, as reparações e qualquer outra manutenção ou ajuste devem ser levadas a cabo pelos centros de assistência Makita autorizados, utilizando sempre peças de substituição Makita.

## ACESSÓRIOS OPCIONAIS

### ⚠️ PRECAUÇÃO:

- Os seguintes acessórios ou extensões são os recomendados para utilizar com a ferramenta Makita especificada neste manual. A utilização de quaisquer outros acessórios poderá representar um risco de ferimento para as pessoas. Apenas utilize o acessório para o fim indicado.

Se precisar de informações adicionais relativas aos acessórios, contacte o centro local de assistência Makita.

- Lâminas de sabre
- Maleta de plástica

### NOTA:

- Alguns itens na lista podem estar incluídos no pacote de ferramentas como acessórios de série. Podem diferir de país para país.

### Ruído

ENG905-1

Os níveis acústicos ponderados A típicos foram determinados segundo a EN60745:

#### Modelo JR3060T

Nível de pressão sonora ( $L_{pA}$ ): 87 dB (A)  
Nível de potência sonora ( $L_{WA}$ ): 98 dB (A)  
Imprecisão (K): 3 dB (A)

#### Modelo JR3070CT

Nível de pressão sonora ( $L_{pA}$ ): 89 dB (A)  
Nível de potência sonora ( $L_{WA}$ ): 100 dB (A)  
Imprecisão (K): 3 dB (A)

#### Use protecção para os ouvidos.

### Vibração

ENG900-1

O valor total da vibração (soma vectorial triaxial) é determinado segundo a EN60745:

#### Modelo JR3060T

Modo de trabalho: cortar placas  
Emissão de vibração ( $a_{h,B}$ ): 15,5 m/s<sup>2</sup>  
Imprecisão (K): 2,0 m/s<sup>2</sup>

Modo de trabalho: cortar traves de madeira  
Emissão de vibração ( $a_{h,WB}$ ): 21,0 m/s<sup>2</sup>  
Imprecisão (K): 1,5 m/s<sup>2</sup>

#### Modelo JR3070CT

Modo de trabalho: cortar placas  
Emissão de vibração ( $a_{h,B}$ ): 9,5 m/s<sup>2</sup>  
Imprecisão (K): 1,5 m/s<sup>2</sup>

Modo de trabalho: cortar traves de madeira  
Emissão de vibração ( $a_{h,WB}$ ): 10,5 m/s<sup>2</sup>  
Imprecisão (K): 1,5 m/s<sup>2</sup>

- O valor da emissão de vibração declarado foi medido de acordo com o método de teste padrão e pode ser utilizado para comparar uma ferramenta com outra.
- O valor da emissão de vibração declarado pode também ser utilizado numa avaliação preliminar de exposição.

### ⚠️ AVISO:

- A emissão de vibração durante a utilização real da ferramenta eléctrica pode ser diferente do valor de emissão declarado, dependendo da forma como a ferramenta é utilizada.
- Certifique-se de que identifica medidas de segurança, para proteger o operador, que são baseadas numa estimativa de exposição nas condições reais de utilização (tendo em conta todas as partes do ciclo de funcionamento, como as vezes que a ferramenta é desligada e quando está a trabalhar ao ralenti, além do tempo de utilização).

### Apenas para países europeus

ENH101-17

#### Declaração de conformidade CE

#### A Makita declara que as máquinas:

Designação da máquina:

Serra de sabre

Nº/Tipo de modelo: JR3060T, JR3070CT

#### Estão em conformidade com as directivas europeias seguintes:

2006/42/EC

São fabricadas de acordo com as normas e documentos padronizados seguintes:

EN60745

O ficheiro técnico em conformidade com a norma 2006/42/EC está disponível a partir de:

Makita, Jan-Baptist Vinkstraat 2, 3070, Bélgica

31. 12. 2013



Yasushi Fukaya  
Director

Makita, Jan-Baptist Vinkstraat 2, 3070, Bélgica

## Illustrationsoversigt

1 Førringsanslag	6 Låseknop	11 Klinge
2 Førringsanslagsknop	7 Drejeknapp til justering	12 Håndtag til klingefastholder
3 Håndtag	8 Klingefastholderbøsning	13 Slidgrænse
4 Stopper	9 Frigjort stilling	14 Kulholderdæksel
5 Omskifterknop	10 Fastlåst position	15 Skruetrækker

## SPECIFIKATIONER

Model		JR3060T	JR3070CT
Slaglængde		32 mm	
Maks. Skærekapacitet	Rør	130 mm	
	Træ	255 mm	
Slagantal (min <sup>-1</sup> )		0 - 2.800	
Længde		485 mm	
Vægt		4,4 kg	4,6 kg
Sikkerhedsklasse		□/II	

- På grund af vores løbende forsknings- og udviklingsprogram kan specifikationerne heri ændres uden forudgående varsel.
- Specifikationerne kan variere fra land til land.
- Vægt i henhold til EPTA-procedure 01/2003

### Tilsigtet anvendelse ENE021-1

Denne maskine er beregnet til savning af træ, plast, metal og byggematerialer med kraftigt slag. Den er velegnet til savning af lige snit og buer.

### Strømforsyning ENF002-2

Værktøjet bør kun sluttes til en strømforsyning med den spænding, der er angivet på mærkepladen, og det kan kun benyttes med enkeltfasets vekselstrøm. Det er dobbelt isoleret og kan derfor også sluttes til stikkontakter uden jordforbindelse.

## Generelle sikkerhedsadvarsler for maskiner GEA010-1

**⚠ ADVARSEL Læs alle sikkerhedsadvarsler og alle instruktioner.** Hvis De ikke følger alle advarsler og instruktioner, kan det medføre elektrisk stød, brand og/eller alvorlig personskade.

## Gem alle advarsler og instruktioner til senere reference.

## SIKKERHEDSADVARSLER FOR BAJONETSAV GEB008-6

1. Hold maskinen på de isolerede grebflader, når du udfører arbejde, hvor det skærende tilbehør kan komme i kontakt med skjulte ledninger eller maskinens egen ledning. Hvis det skærende tilbehør kommer i kontakt med en strømførende ledning, kan udsatte metaldele på maskinen blive strømførende, hvorved operatøren kan få elektrisk stød.
2. Anvend spændestykker eller en anden praktisk måde til at fastspænde og støtte arbejdsemnet til en stabil flade. Hvis arbejdsemnet holdes med hånden eller støttes mod kroppen, vil det være ustabil, hvilket kan bevirke, at De mister kontrollen over det.
3. Anvend altid sikkerhedsbriller. Almindelige briller eller solbriller er IKKE det samme som sikkerhedsbriller.
4. Undgå at save i søm og skruer. Tjek emnet for søm og skruer og fjern sådanne, før arbejdet påbegyndes.
5. Sav ikke i emner, der er overdimensionerede i forhold til maskinen.
6. Tjek for tilstrækkelig frigang under emnet, så klingens ikke rammer gulv, arbejdsbænk eller lignende.
7. Hold godt fast på maskinen.
8. Sørg for at klingens ikke er i kontakt med emnet før der trykkes på afbryderen.
9. Hold hænderne væk fra bevægelige dele.
10. Læg ikke maskinen fra Dem, mens den stadig kører. Maskinen må kun køre, når den holdes med begge hænder.
11. Sluk altid, og vent indtil klingens står helt stille, før klingens fjernes fra emnet.
12. Rør ikke ved klingens eller emnet umiddelbart efter anvendelse. De kan begge være meget varme og forårsage hudforbrænding ved berøring.
13. Anvend ikke maskinen unødigt uden belastning.



14. **Anvend altid en korrekt maske/respirator i henhold til det materiale og den anvendelse, De arbejder med.**
15. **Visse materialer indeholder kemikalier, som kan være giftige. Vær påpasselig med ikke at indånde støv eller få disse materialer på huden. Følg sikkerhedsforskrifterne fra fabrikanten af materialet.**

## GEM DISSE FORSKRIFTER.

### ADVARSEL:

**LAD IKKE tryghed eller kendskab til produktet (fra gentagen brug) føre til, at du ikke strengt overholder sikkerhedsreglerne for det gældende produkt.**

**MISBRUG eller manglende overholdelse af sikkerhedsreglerne i denne brugsanvisning kan medføre alvorlig personskaade.**

## FUNKTIONSBESKRIVELSE

### FORSIGTIG:

- Kontroller altid, at maskinen er slået fra, og at netstikket er trukket ud, før der udføres justeringer eller funktioner kontrolleres på denne sav.

### Indstilling af føringsanslag (Fig. 1 og 2)

Når savklingens skærekant er nedslidt et sted, kan De ændre føringsanslagets indstilling, så De efterfølgende kan anvende et skarpt, ubrugt sted på savklingen. Derved øges savklingens levetid.

For at ændre indstillingen af føringsanslaget, skal De trykke føringsanslagsknappen i retning af "A" med et klik og ændre indstillingen som vist på illustrationen, hvilket gør det muligt at udføre en femvejs indstilling. For at fastgøre føringsanslaget, trykkes føringsanslagsknappen i retning af "B" med et klik.

### Valg af skæring (Fig. 3)

Værktøjet kan benyttes med skæring i bue eller lige linje. Ved skæring i bue skubbes klingens fremad ved skærebævegelsen, hvorved skærehastigheden forøges væsentligt.

Hvis De vil ændre skæring, skal De trykke på stopperen og dreje håndtaget til den ønskede indstilling for skæring. Slip derefter stopperen for at låse håndtaget fast. Se i tabellen for at vælge den ønskede skæring.

### BEMÆRK:

- Skæring med buebevægelse betyder, at savklingen bevæges op og ned samt frem og tilbage på samme tid. Dette forøger skæreeffektiviteten.

Stilling	Skæring	Anvendelser
0	Lige skæring	Til skæring i blødt stål, rustfrit stål og plastik. Til rene skær i træ og krydsfiner.
I	Skæring i lille bue	Til skæring i blødt stål, aluminium og hårdt træ.
II	Skæring i middelstor bue	Til skæring i træ og krydsfiner. Til hurtig skæring i aluminium og blødt stål.
III	Skæring i stor bue	Til hurtig skæring i træ og krydsfiner.

002525

## Afbryderfunktion (Fig. 4)

### FORSIGTIG:

- Før de sætter savens netstik i, bør De sikre Dem, at afbryderen fungerer korrekt og at den springer tilbage i "OFF" positionen, når den slippes.

For at starte maskinen trykkes ganske enkelt på afbryderen. Maskinens hastighed øges ved øget tryk på afbryderen. Slip afbryderen for at stoppe. Ved vedvarende arbejde trykkes afbryderen ind, hvorefter låseknappen trykkes ind.

For at stoppe maskinen fra denne låste position, trykkes afbryderen helt ind, hvorefter den slippes igen.

### Drejeknap til justering af hastighed (på JR3070CT) (Fig. 5)

Antallet af slag pr. minut kan justeres ved at dreje med drejknappen. Det kan gøres, selvom værktøjet kører. Drejknappen har mærker fra 1 (laveste hastighed) til 6 (fuld hastighed). Drej med drejknappen uden stop mellem 1 og 6 i overensstemmelse med dit arbejde. Se i tabellen for at vælge den rigtige hastighed til det emne, der skal skæres i. Den korrekte hastighed kan dog afhænge af emnets type eller tykkelse. Med en højere hastighed kan du som regel skære hurtigere i emner, men klingens levetid forringes.

Nummer på drejknappen	Slag pr. minut
6	2.800
5	2.500
4	1.850
3	1.400
2	1.000
1	950

006574

Emne, der skal skæres i	Nummer på drejeknappen
Træ	6
Autoklaveret letvægtsbeton	5 - 6
Blødt stål	3 - 4
Aluminium	3 - 5
Plastik	1 - 4
Rustfrit stål	1 - 2

006584

#### BEMÆRK:

- Hvis værktøjet anvendes i længere tid ved lav hastighed, reduceres motorens levetid.
- Drejeknappen til hastighedsjustering kan kun drejes op til 6 og tilbage til 1. Prøv ikke at tvinge den forbi 6 eller 1, da hastighedsjusteringen ellers kan gå i stykker.

Værktøjer, som er udstyret med elektronisk funktion, er nemme at betjene på grund af følgende funktioner.

#### Konstant hastighedskontrol

Elektronisk hastighedskontrol til at sikre konstant hastighed. Mulighed for at opnå et pænt finish, da rotationshastigheden er konstant selv under vekslende belastning.

#### Funktion til blød start

Sikkerhed og blød start med forebyggelse af ryk ved start.

## MONTERING


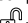
#### FORSIGTIG:

- Sørg altid for at maskinen er slukket og netstikket trukket ud, før der foretages noget arbejde på selve maskinen.

### Montering eller afmontering af savklingen

#### FORSIGTIG:

- Fjern altid spån og andet, der måtte klæbe til savklingen, savklingeholderen og/eller hopstangen. Forsømmelse af dette kan resultere i utilstrækkelig tilspænding af savklingen, hvilket igen kan føre til alvorlig tilskadekomst.

For at montere en savklinge skal De altid sørge for, at håndtaget til klingefastholderen er i frigjort position  på isoleringsdækslet, før De indsætter savklingen. Hvis klingefastholderhåndtaget er i fastlåst position, roteres håndtaget i pilens retning, så det kan låses i den frigjorte position . (Fig. 6)

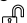
Sæt savklingen så langt ind i klingefastholderen, som den kan komme. Klingefastholderhåndtaget drejes, og savklingen er fastgjort. Sørg for, at savklingen sidder helt fast, selv om du forsøger at trække den ud. (Fig. 7)

#### BEMÆRK:



- Hvis man ikke sætter savklingen tilstrækkeligt langt ind, kan savklingen pludselig blive skudt ud under brugen. Dette kan være ekstremt farligt.

Hvis håndtaget er placeret inden i værktøjet, skal De tænde værktøjet et øjeblik, for at klingens kommer ud som vist i figuren.

Sluk og afbryd værktøjets forbindelse fra elnettet.

For at demontere savklingen drejes håndtaget til klingefastholderen hele vejen i pilens retning. Savklingen tages ud, og klingefastholderhåndtaget låses fast i den frigjorte position . (Fig. 8)

#### BEMÆRK:

- Hold hænder og fingre væk fra håndtaget under udskiftningen. Hvis De ikke gør dette, kan det medføre personskade.
- Hvis De fjerner savklingen uden at dreje håndtaget til klingefastholderen hele vejen, er håndtaget muligvis ikke låst fast i den frigjorte position . Drej i så fald klingefastholderhåndtaget hele vejen igen, og sørg for, at det er låst fast i den frigjorte position .

## DRIFT (Fig. 9)

#### FORSIGTIG:

- Tryk altid føringsanslaget fast mod arbejdsemnet under anvendelsen. Hvis føringsanslaget fjernes eller holdes væk fra arbejdsemnet under anvendelsen, kan der opstå kraftige vibrationer og/eller vridninger, hvilket kan få klingens til at brække af farlig vis.
- Ved savning af metal bør De altid bære handsker for at beskytte hænderne mod flyvende, varme spåner.
- Sørg altid for at bære passende øjenbeskyttelse, som er i overensstemmelse med de gældende nationale standarder.
- Ved savning af metal bør De altid anvende et egnet kølemiddel (skæreeolie). Anvender De ikke kølemiddel medfører det unødvendigt slid på savklingen.

Tryk føringsanslaget fast mod emnet for at undgå tilbageslag på saven. Hold savens således, at savklingen netop berører emnet. Lav først en prøverille med en langsommere hastighed. Forøg derefter hastigheden for at fortsætte savningen.

## VEDLIGHOLDELSE

#### FORSIGTIG:

- Kontrollér altid, at maskinen er slået fra, og at netstikket er trukket ud, før der udføres eftersyn eller vedligeholdelse.
- Brug aldrig benzin, benzen, fortynder, alkohol eller lignende. Det kan muligvis medføre misfarvning, deformation eller revner.

### Udskiftning af kulbørsterne (Fig. 10)

Tag kulbørsterne ud og efterse dem periodisk. Kullene skal udskiftes, når de er slidt ned til slidgrænsen. Hold kulbørsterne rene, så de altid passer ind i hullerne. Begge kulbørster bør udskiftes parvis og samtidigt. Anvend kun identiske kulbørster.

Benyt en skruetrækker til at fjerne kuldækslerne. Tag de slidte kulbørster ud, sæt de nye i, og fastgør kuldækslerne. (Fig. 11)

For at opretholde produktets SIKKERHED og PÅLIDELIGHED, må istandsættelse, vedligeholdelse eller justering kun udføres af et autoriseret Makita service center med anvendelse af Makita reservedele.

# EKSTRAUDSTYR

## FORSIGTIG:

- Dette tilbehør eller ekstraudstyr anbefales til brug med det Makita-værktøj, som er beskrevet i denne brugsanvisning. Brug af andet tilbehør eller ekstraudstyr kan forårsage personskade. Brug kun tilbehør eller ekstraudstyr til det formål, det er beregnet til.

Henvend dig til dit lokale Makita-servicecenter, hvis du har brug for hjælp eller yderligere oplysninger vedrørende tilbehøret.

- Bøjningsavklinger
- Transportkuffert

## BEMÆRK:

- Visse dele på listen er muligvis indeholdt maskinindpakningen som standardtilbehør. De kan variere fra land til land.

## Støj

ENG905-1

Det typiske A-vægtede lydtrykniveau bestemt i overensstemmelse med EN60745:

### Model JR3060T

Lydtrykniveau ( $L_{pA}$ ): 87 dB (A)  
Lydkraftniveau ( $L_{WA}$ ): 98 dB (A)  
Usikkerhed (K): 3 dB (A)

### Model JR3070CT

Lydtrykniveau ( $L_{pA}$ ): 89 dB (A)  
Lydkraftniveau ( $L_{WA}$ ): 100 dB (A)  
Usikkerhed (K): 3 dB (A)

### Bær høreværn.

## Vibration

ENG900-1

Den samlede vibrationsværdi (treaksial vektorsum) bestemt i overensstemmelse med EN60745:

### Model JR3060T

Arbejdstilstand: savning i plader  
Vibrationsemission ( $a_{h,B}$ ): 15,5 m/s<sup>2</sup>  
Usikkerhed (K): 2,0 m/s<sup>2</sup>

Arbejdstilstand: savning i træbjælker  
Vibrationsemission ( $a_{h,WB}$ ): 21,0 m/s<sup>2</sup>  
Usikkerhed (K): 1,5 m/s<sup>2</sup>

### Model JR3070CT

Arbejdstilstand: savning i plader  
Vibrationsemission ( $a_{h,B}$ ): 9,5 m/s<sup>2</sup>  
Usikkerhed (K): 1,5 m/s<sup>2</sup>

Arbejdstilstand: savning i træbjælker  
Vibrationsemission ( $a_{h,WB}$ ): 10,5 m/s<sup>2</sup>  
Usikkerhed (K): 1,5 m/s<sup>2</sup>

ENG901-1

- Den opgivne vibrationsemissionsværdi er målt i overensstemmelse med standardtestmetoden og kan bruges til at sammenligne et værktøj med et andet.
- Den opgivne vibrationsemissionsværdi kan muligvis også bruges til en indledende eksponeringsvurdering.

## ADVARSEL:

- Vibrationsemissionen under den faktiske brug af maskinen kan afvige fra den opgivne emissionsværdi afhængigt af den måde, maskinen anvendes på.
- Sørg for at bestemme sikkerhedsforanstaltninger for beskyttelse af operatøren, som er baseret på en

eksponeringsvurdering for brug under faktiske forhold (hvor alle anvendelsescyklussens dele inddrages, som f.eks. antal gange maskinen slukkes, og når den kører i tomgang ud over triggertiden).

## Kun for europæiske lande

ENH101-17

## EF-overensstemmelseserklæring

### Makita erklærer at følgende Makita-maskine(r):

Maskinens betegnelse:

Bøjningsav

Modelnummer/type: JR3060T, JR3070CT

### Overholder følgende europæiske direktiver:

2006/42/EF

De er produceret i overensstemmelse med den følgende standard eller standardiserede dokumenter:

EN60745

Den tekniske fil er i overensstemmelse med 2006/42/EF til rådighed fra:

Makita, Jan-Baptist Vinkstraat 2, 3070, Belgien

31. 12. 2013



Yasushi Fukaya  
Direktør

Makita, Jan-Baptist Vinkstraat 2, 3070, Belgien

# ΕΛΛΗΝΙΚΑ (Πρωτογενείς οδηγίες)

## Περιγραφή γενικής άψης

1 Πέλαμα	6 Κουμπί ασφάλισης	11 Λάμα
2 Κουμπί πέλαματος	7 Επιλογέας ρύθμισης	12 Μοχλός συγκράτησης λάμας
3 Μοχλός	8 Περιβλημα συγκράτησης λάμας	13 νδειξη ορίου
4 Στοπ	9 Ελευθερωμένη θέση	14 Καπάκι θήκης ψήκτρας
5 Σκανδάλη διακόπτης	10 Σταθεροποιημένη θέση	15 Κατσαβίδι

## ΤΕΧΝΙΚΑ ΧΑΡΑΚΤΗΡΙΣΤΙΚΑ

Μοντέλο	JR3060T	JR3070CT
Μήκος διαδρομής	32 χιλ	
Μεγ. ικανότητα κοπής	Σωλήνας	130 χιλ
	Ξύλο	255 χιλ
Διαδρομές ανά λεπτό (λεπ <sup>-1</sup> )	0 - 2.800	
Ολικό μήκος	485 χιλ	
Βάθος καθαρό	4,4 Χγρ	4,6 Χγρ
Κατηγορία ασφάλειας	□/II	

- Λόγω του συνεχόμενου προγράμματος που εφαρμόζουμε για έρευνα και ανάπτυξη, τα τεχνικά χαρακτηριστικά στο παρόν έντυπο υπόκεινται σε αλλαγή χωρίς προειδοποίηση.
- Τα τεχνικά χαρακτηριστικά ενδέχεται να διαφέρουν ανάλογα με τη χώρα.
- Βάρος σύμφωνα με τη διαδικασία ΕΡΤΑ 01/2003

**Προοριζόμενη χρήση** ENF021-1  
Το εργαλείο προορίζεται για πριόνισμα ξύλου, πλαστικού, μετάλλου και οικοδομικών υλικών με.

**Ηλεκτρική παροχή** ENF002-2  
Το εργαλείο πρέπει να συνδέεται μόνο σε ηλεκτρική παροχή της ίδιας τάσης με αυτήν που αναγράφεται στην πινακίδα ονομαστικών τιμών και μπορεί να λειτουργήσει μόνο με εναλλασσόμενο μονοφασικό ρεύμα. Τα εργαλεία αυτά διαθέτουν διπλή μόνωση και συνεπώς μπορούν να συνδεθούν με πρίζες χωρίς γείωση.

## Γενικές Προειδοποιήσεις Ασφαλείας Του Ηλεκτρικού Εργαλείου

GEA010-1

**⚠ ΠΡΟΕΙΔΟΠΟΙΗΣΗ Διαβάστε όλες τις προειδοποιήσεις ασφαλείας και όλες τις οδηγίες.** Αν δεν ακολουθήσετε όλες τις προειδοποιήσεις και τις οδηγίες, υπάρχει κίνδυνος ηλεκτροπληξίας, πυρκαγιάς ή/και σοβαρού τραυματισμού.

## Φυλάξτε όλες τις προειδοποιήσεις και τις οδηγίες για μελλοντική αναφορά.

## ΠΡΟΕΙΔΟΠΟΙΗΣΕΙΣ ΑΣΦΑΛΕΙΑΣ ΣΠΑΘΟΣΕΓΑΣ

GEB008-6

1. Να κρατάτε το ηλεκτρικό εργαλείο από τις μονωμένες λαβές όταν εκτελείτε εργασίες κατά τις οποίες το κοπτικό εξάρτημα μπορεί να έρθει σε επαφή με μη ορατά καλώδια ή με το δικό του

- καλώδιο τροφοδοσίας. Αν το κοπτικό εξάρτημα έρθει σε επαφή με κάποιο ηλεκτροφόρο καλώδιο, τα εκτεθειμένα μεταλλικά μέρη του ηλεκτρικού εργαλείου θα γίνουν κι αυτά ηλεκτροφόρα και μπορεί να προκληθεί ηλεκτροπληξία στο χειριστή.
2. **Χρησιμοποιήστε σφινκτιρές ή κάποιο άλλο πρακτικό μέσο για να ασφαλίσετε και να στηρίξετε το τεμάχιο εργασίας σε μια σταθερή πλατφόρμα.** Αν κρατάτε το τεμάχιο εργασίας με το χέρι σας ή επάνω στο σώμα σας, θα είναι ασταθές και μπορεί να χάσετε τον έλεγχο.
3. **Να χρησιμοποιείτε πάντοτε γυαλιά ασφαλείας ή προστατευτικά ματιών.** Τα συνηθισμένα γυαλιά και τα γυαλιά ηλίου ΔΕΝ αποτελούν γυαλιά ασφαλείας.
4. **Να αποφεύγετε την κοπή καρφιών.** Ελέγξτε το τεμάχιο εργασίας για τυχόν καρφιά και αφαιρέστε τα πριν από τη λειτουργία.
5. **Μην κόβετε υπερμεγέθη τεμάχια εργασίας.**
6. **Πριν από την κοπή, να ελέγχετε ότι υπάρχει επαρκής απόσταση πίσω από το τεμάχιο εργασίας ώστε η λάμα να μη χτυπήσει το δάπεδο, τον πάγκο εργασίας, κτλ.**
7. **Να κρατάτε το εργαλείο σταθερά.**
8. **Βεβαιωθείτε ότι η λάμα δεν ακουμπάει το τεμάχιο εργασίας πριν ενεργοποιήσετε το διακόπτη λειτουργίας.**
9. **Μην πλησιάζετε τα χέρια σας σε κινούμενα μέρη.**
10. **Μην αφήνετε το εργαλείο σε λειτουργία. Το εργαλείο πρέπει να βρίσκεται σε λειτουργία μόνο όταν το κρατάτε.**

11. Όταν σβήνετε το εργαλείο, πάντοτε να περιμένετε να σταματήσει να κινείται εντελώς η λάμα πριν τη βγάλετε από το τεμάχιο εργασίας.
12. Μην αγγίζετε τη λάμα ή το τεμάχιο εργασίας αμέσως μετά τη λειτουργία του εργαλείου. Μπορεί να είναι εξαιρετικά θερμά και να προκληθεί έγκαυμα στο δέρμα σας.
13. Μη θέτετε το εργαλείο σε λειτουργία χωρίς φόρτο, αν αυτό δεν είναι απαραίτητο.
14. Να χρησιμοποιείτε πάντοτε προσταψίδα κατά της σκόνης ή αναπνευστήρα που είναι κατάλληλοι για το υλικό και την εφαρμογή σας.
15. Μερικά υλικά περιέχουν χημικές ουσίες που μπορεί να είναι τοξικές. Προσέχετε ώστε να αποφεύγετε την εισπνοή της σκόνης και την επαφή με το δέρμα. Ακολουθείτε τα δεδομένα ασφάλειας υλικού που παρέχονται από τον προμηθευτή.

## ΦΥΛΑΞΤΕ ΑΥΤΕΣ ΤΙΣ ΟΔΗΓΙΕΣ.

### ΠΡΟΕΙΔΟΠΟΙΗΣΗ:

**ΜΗΝ** επιτρέψετε στη βολικότητα ή στην εξοικειωσή σας με το προϊόν (που αποκτήθηκε από επανειλημμένη χρήση) να αντικαταστήσει την αυστηρή προσήλωση στους κανόνες ασφάλειας του εν λόγω προϊόντος. Η **ΛΑΝΘΑΣΜΕΝΗ ΧΡΗΣΗ** ή η μη τήρηση των κανόνων ασφαλείας που διατυπώνονται στο παρόν εγχειρίδιο οδηγίων μπορεί να προκαλέσει σοβαρό τραυματισμό.

## ΛΕΙΤΟΥΡΓΙΚΗ ΠΕΡΙΓΡΑΦΗ

### ΠΡΟΣΟΧΗ:

- άντοτε να βεβαιώνετε ότι το εργαλείο είναι σβηστό και αποσυνδεδεμένο από το ρεύμα πριν ρυθμίσετε ή ελέγξετε κάποια λειτουργία στο εργαλείο.

### Ρύθμιση του πέλματος (Εικ. 1 και 2)

Όταν η λάμα χάνει την επάρκεια κοψίματος σε κάποιο τμήμα της κόψης της, επαναποθετήστε το πέλμα για να χρησιμοποιήσετε ένα αιχμηρό, αχρησιμοποίητο τμήμα της κόψης της. Αυτό θα βοηθήσει στην επιμήκυνση της ζωής της λάμας. Για να επαναποθετήσετε το πέλμα, σπρώξτε το κουμπί πέλματος στη διεύθυνση "Α" με ένα κλικ και επαναποθετήστε όπως φαίνεται στην εικόνα, πράγμα που σας επιτρέπει να κάνετε ρύθμιση πέντε τρόπων. Για να ασφαλίσετε το πέλμα, σπρώξτε το κουμπί πέλματος στη διεύθυνση "Β" με ένα κλικ.

### Επιλογή της κοπτικής λειτουργίας (Εικ. 3)

Μπορείτε να χρησιμοποιείτε το εργαλείο αυτό με κοπτική λειτουργία καμπύλης ή ευθείας. Με την κοπτική λειτουργία καμπύλης, η λάμα ωθείται προς τα εμπρός στη διαδρομή κοπής και αυξάνεται πολύ η ταχύτητα κοπής. Για να αλλάξετε την κοπτική λειτουργία, πιάστε το stop και στρέψτε το μοχλό στη θέση της επιθυμητής κοπτικής λειτουργίας. Κατόπιν, απελευθερώστε το stop για να ασφαλίσετε το μοχλό. Ανατρέξτε στον πίνακα για να επιλέξετε την κατάλληλη κοπτική λειτουργία.

### ΣΗΜΕΙΩΣΗ:

- Η λειτουργία καμπύλης σημαίνει ότι η λάμα του πριονιού κινείται πάνω-κάτω, και ταυτόχρονα μπρος-πίσω. Με αυτόν τον τρόπο, αυξάνεται η αποδοτικότητα της κοπής.

Θέση	Κοπτική λειτουργία	Εφαρμογές
0	Κοπτική λειτουργία ευθείας	Για το κόψιμο μαλακού ατσάλιου, ανοξείδωτο ατσάλιού και πλαστικών. Για το καθαρό κόψιμο ξύλου και κοντραπλακέ.
I	Κοπτική λειτουργία μικρής καμπύλης	Για το κόψιμο μαλακού ατσάλιου, αλουμινίου και σκληρού ξύλου.
II	Κοπτική λειτουργία μέτριας καμπύλης	Για το κόψιμο ξύλου και κοντραπλακέ. Για γρήγορο κόψιμο αλουμινίου και μαλακού ατσάλιου.
III	Κοπτική λειτουργία μεγάλης καμπύλης	Για γρήγορο κόψιμο ξύλου και κοντραπλακέ.

002525

## Λειτουργία διακόπτη (Εικ. 4)

### ΠΡΟΣΟΧΗ:

- Πριν συνδέσετε το μηχάνημα στο ρεύμα, πάντοτε να ελέγχετε να δείτε ότι η σκανδάλη διακόπτης ενεργοποιεί κανονικά και επιστρέφει στη θέση "OFF" όταν ελευθερώνεται.

Για να ξεκινήσει το μηχάνημα, απλώς τραβήξτε τη σκανδάλη. Η ταχύτητα του μηχανήματος αυξάνει αυξανοντας την πίεση. Για να σταματήσει αφήστε τη σκανδάλη.

Για συνεχή λειτουργία τραβήξτε τη σκανδάλη και έπειτα πιάστε το κουμπί ασφάλισης. Για να σταματήσει το μηχάνημα από την ασφαλισμένη θέση, πιάστε τη σκανδάλη και έπειτα αφήστε την.

## Επιλογέας ρύθμισης ταχύτητας (Για το μοντέλο JR3070CT) (Εικ. 5)

Μπορείτε να ρυθμίσετε τις διαδρομές ανά λεπτό, αν περιστρέψετε απλά τον επιλογέα ρύθμισης. Αυτό μπορεί να πραγματοποιηθεί ακόμα και κατά τη λειτουργία του εργαλείου. Ο επιλογέας είναι σημειωμένος από 1 (χαμηλότερη ταχύτητα) έως 6 (τελική ταχύτητα). Περιστρέψτε τον επιλογέα ρύθμισης απευθείας μεταξύ του 1 και του 6 ανάλογα με την εργασία σας. Ανατρέξτε στον πίνακα για να επιλέξετε την κατάλληλη ταχύτητα για το τεμάχιο εργασίας που θα κόψετε. Η κατάλληλη ταχύτητα όμως μπορεί να διαφέρει ανάλογα με τον τύπο ή το πάχος του τεμαχίου εργασίας. Σε γενικές γραμμές, αν χρησιμοποιείτε υψηλότερες ταχύτητες, θα κόβετε τα τεμάχια εργασίας πιο γρήγορα, αλλά θα μειωθεί η διάρκεια λειτουργίας της λάμας.

Αριθμηση στον επιλογέα ρύθμισης	Διαδρομές ανά λεπτό
6	2.800
5	2.500
4	1.850
3	1.400
2	1.000
1	950

006574

Τεμάχιο εργασίας που θα κόψετε	Αριθμηση στον επιλογέα ρύθμισης
Ξύλο	6
Θερμικά επεξεργασμένο ελαφρύ μπετόν	5 - 6
Μαλακό ασάλι	3 - 4
Αλουμίνιο	3 - 5
Πλαστικό	1 - 4
Ανοξειδωτο ασάλι	1 - 2

006584

#### ΣΗΜΕΙΩΣΗ:

- Αν το εργαλείο λειτουργεί συνεχώς σε χαμηλές ταχύτητες για μεγάλο χρονικό διάστημα η διάρκεια ζωής του κινητήρα θα ελαττωθεί.
- Μπορείτε να περιστρέψετε τον επιλογέα ρύθμισης ταχύτητας μόνο έως το 6 και όχι λιγότερο από το 1. Μην τον πιέζετε πέρα από το 6 ή το 1, μπορεί με τον τρόπο αυτό να καταστραφεί ο επιλογέας ρύθμισης. Τα εργαλεία που είναι εξοπλισμένα με ηλεκτρονική λειτουργία είναι εύκολα στη χρήση λόγω των ακόλουθων χαρακτηριστικών.

#### Ρύθμιση σταθερής ταχύτητας

Ηλεκτρονική ρύθμιση ταχύτητας για επίτευξη σταθερής ταχύτητας. Μπορείτε να έχετε ένα κομψό αποτέλεσμα επειδή η ταχύτητα περιστροφής διατηρείται σταθερή ακόμα κι όταν το εργαλείο υποβάλλεται σε φόρτο.

#### Χαρακτηριστικό ομαλής έναρξης

Ασφαλής και ομαλή έναρξη επειδή καταστέλλεται η αιφνίδια έναρξη.

## ΣΥΝΑΡΜΟΛΟΓΗΣΗ



#### ΠΡΟΣΟΧΗ:

- Πάντοτε να βεβαιώνετε ότι το εργαλείο είναι σβηστό και αποσυνδεδεμένο από το ρεύμα πριν εκτελέσετε οποιαδήποτε εργασία στο εργαλείο.

#### Τοποθέτηση ή αφαίρεση της λάμας σπαθοσέγας

#### ΠΡΟΣΟΧΗ:

- Πάντοτε να καθαρίζετε όλα τα θραύσματα ή ξένα υλικά που είναι προσκολλημένα στη λάμα, στη μέγκνη της λάμας ή/και στον ολισθητή. Εάν δεν κάνετε έτσι, ίσως θα έχει ως συνέπεια ανεπαρκές σφίξιμο της λάμας, που μπορεί να προκαλέσει σοβαρό τραυματισμό.

Για να τοποθετήσετε την προιονωτή λάμα, να βεβαιώνετε πάντα ότι ο μοχλός συγκράτησης λάμας βρίσκεται σε ελευθερωμένη θέση  στο μονωτικό κάλυμμα πριν τοποθετήσετε την προιονωτή λάμα. Εάν ο μοχλός συγκράτησης λάμας βρίσκεται στη σταθεροποιημένη θέση, περιστρέψτε το μοχλό συγκράτησης λάμας προς την κατεύθυνση του βέλους έτσι ώστε να ασφαλίσει στην ελευθερωμένη θέση  (Εικ. 6)


Τοποθετήστε τη λάμα σπαθοσέγας μέσα στο σφιγκτήρα της λάμας έως το τέρμα. Ο μοχλός του σφιγκτήρα της λάμας περιστρέφεται και με τον τρόπο αυτό σταθεροποιείται η λάμα σπαθοσέγας. Βεβαιωθείτε ότι η λάμα σπαθοσέγας δεν βγαίνει έξω ακόμα κι όταν προσπαθείτε να την τραβήξετε για να βγει. (Εικ. 7)

#### ΣΗΜΕΙΩΣΗ:



- Εάν δεν βγάλετε τη λάμα του προιονιού αρκετά βαθιά μπορεί να εκτιναχτεί ξαφνικά κατά τη διάρκεια της λειτουργίας. Κάτι τέτοιο είναι εξαιρετικά επικίνδυνο.

Εάν ο μοχλός βρίσκεται μέσα στο εργαλείο, ενεργοποιήστε στιγμιαία το εργαλείο για να βγει η λάμα έξω όπως δείχνεται στην εικόνα.

Σβήστε και αποσυνδέστε το εργαλείο από το ηλεκτρικό ρεύμα.

Για να βγάλετε την προιονωτή λάμα, περιστρέψτε πλήρως το μοχλό συγκράτησης λάμας προς την κατεύθυνση του βέλους. Η προιονωτή λάμας βγαίνει και ο μοχλός συγκράτησης λάμας σταθεροποιείται στην ελευθερωμένη θέση . (Εικ. 8)

#### ΣΗΜΕΙΩΣΗ:

- Κρατήστε τα χέρια και τα δάκτυλά σας μακριά από τον μοχλό κατά την εναλλαγή της λειτουργίας. Αν δεν τηρήσετε αυτήν την οδηγία, μπορεί να προκληθεί τραυματισμός.
- Εάν βγάλετε την προιονωτή λάμα χωρίς να περιστρέψετε πλήρως το μοχλό συγκράτησης λάμας, ο μοχλός μπορεί να μην ασφαλίσει στην ελευθερωμένη θέση . Στην περίπτωση αυτή, περιστρέψτε ξανά και πλήρως το μοχλό συγκράτησης λάμας και κατόπιν βεβαιωθείτε ότι ο μοχλός συγκράτησης λάμας ασφαλίσει στην ελευθερωμένη θέση .

## ΛΕΙΤΟΥΡΓΙΑ (Εικ . 9)

#### ΠΡΟΣΟΧΗ:

- Κατά τη λειτουργία, να πιέζετε πάντοτε το πέλμα σταθερά επάνω στο τεμάχιο εργασίας. Αν, κατά τη λειτουργία, το πέλμα αφαιρεθεί ή κρατηθεί μακριά από το τεμάχιο εργασίας, παράγονται ισχυροί κραδασμοί ή/και δυνάμεις στρέψης που μπορεί να προκαλέσουν το επικίνδυνο σπάσιμο της λάμας.
- Πάντοτε να φοράτε γάντια για να προστατεύετε τα χέρια σας από καυτά εκτοξευόμενα ρινίσματα όταν κόβετε μέταλλα.
- Να είστε σίγουροι ότι πάντοτε φοράτε κατάλληλα προστατευτικά για τα μάτια σύμφωνα με τους τρέχοντες εθνικούς κανονισμούς.
- Πάντοτε να χρησιμοποιείτε ένα κατάλληλο ψυκτικό (έλαιο κοπής) όταν κόβετε μέταλλα. Εάν δεν το κάνετε αυτό, θα προκληθεί πρόωρη φθορά στη λάμα.

Πιέστε το πέλμα σταθερά επάνω στο αντικείμενο εργασίας. Μην αφήσετε το μηχανήμα να αναπηδήσει. Φέρτε τη λάμα σε ελαφρά επαφή με το αντικείμενο εργασίας. Πρώτα, κάντε ένα δοκιμαστικό αυλάκι χρησιμοποιώντας μικρή ταχύτητα. Κατόπιν, χρησιμοποιήστε μεγαλύτερη ταχύτητα για να συνεχίσετε το κόψιμο.

## ΣΥΝΤΗΡΗΣΗ

### ΠΡΟΣΟΧΗ:

- Πάντοτε να βεβαιώνετε ότι το εργαλείο είναι σβηστό και αποσυνδεδεμένο από το ρεύμα πριν επιχειρήσετε να κάνετε επιθεώρηση ή συντήρηση.
- Μην χρησιμοποιήσετε βενζίνη, βενζόλη, διαλυτικό, αλκοόλη ή κάτι παρόμοιο. Μπορεί να προκληθεί αποχρωματισμός, παραμόρφωση ή ρωγμές.

### Αντικατάσταση ψηκτρών άνθρακα

#### (Εικ. 10)

Αφαιρείτε και ελέγχετε τις ψήκτρες άνθρακα τακτικά. Αντικαθιστάτε τις όταν έχουν φθαρεί στην ένδειξη ορίου. Κρατάτε τις ψήκτρες άνθρακα καθαρές και ελεύθερες να γλιστρούν στις θήκες. Και οι δύο ψήκτρες άνθρακα πρέπει να αντικαθίστανται ταυτόχρονα. Χρησιμοποιείτε μόνο ταυτόσημες ψήκτρες άνθρακα. Χρησιμοποιείτε ένα κατασβίδι για να αφαιρέσετε τα καπάκια των ψηκτρών άνθρακα. Βγάλετε τις φθαρμένες ψήκτρες άνθρακα, βάλτε τις καινούργιες και ασφαλίστε τα καπάκια των ψηκτρών άνθρακα. **(Εικ. 11)** Για τη διατήρηση της ΑΣΦΑΛΕΙΑΣ και ΑΞΙΟΠΙΣΤΙΑΣ του προϊόντος, επισκευές, οποιαδήποτε άλλη συντήρηση ή ρύθμιση πρέπει να εκτελούνται από Εξουσιοδοτημένα Κέντρα Εξυπηρέτησης της Makita, πάντοτε με χρήση ανταλλακτικών Makita.

## ΠΡΟΑΙΡΕΤΙΚΑ ΑΞΕΣΟΥΑΡ

### ΠΡΟΣΟΧΗ:

- Συνιστάται η χρήση αυτών των αξεσουάρ ή εξαρτημάτων με το εργαλείο της Makita, όπως περιγράφεται στο παρόν εγχειρίδιο. Αν χρησιμοποιήσετε άλλα αξεσουάρ ή εξαρτήματα μπορεί να παρουσιαστεί κίνδυνος για πρόκληση τραυματισμού προσωπών. Να χρησιμοποιείτε τα αξεσουάρ και τα εξαρτήματα μόνο για το σκοπό για τον οποίο προορίζονται.

Αν χρειάζεστε κάποια βοήθεια ή περισσότερες πληροφορίες σχετικά με τα αξεσουάρ αυτά, απευθυνθείτε στο πλησιέστερο κέντρο εξυπηρέτησης της Makita.

- Λάμες σπαθοσέγας
- Πλαστική θήκη μεταφοράς

### ΣΗΜΕΙΩΣΗ:

- Ορισμένα από τα στοιχεία της λίστα μπορεί να περιέχονται στην συσκευασία του εργαλείου ως κανονικά αξεσουάρ. Αυτά ενδέχεται να διαφέρουν από χώρα σε χώρα.

## Θορύβος

ENG905-1

Το συνήθως σταθμισμένο επίπεδο θορύβου που έχει καθοριστεί σύμφωνα με την EN60745:

### Μοντέλο JR3060T

Επίπεδο ηχητικής πίεσης ( $L_{pA}$ ): 87 dB (A)  
Επίπεδο ηχητικής ισχύος ( $L_{WA}$ ): 98 dB (A)  
Αβεβαιότητα (K): 3 dB (A)

### Μοντέλο JR3070CT

Επίπεδο ηχητικής πίεσης ( $L_{pA}$ ): 89 dB (A)  
Επίπεδο ηχητικής ισχύος ( $L_{WA}$ ): 100 dB (A)  
Αβεβαιότητα (K): 3 dB (A)

### Να φοράτε ωτοασπίδες.

## Κραδασμοί

ENG900-1

Η συνολική τιμή κραδασμών (άθροισμα τριαξονικού διανύσματος) που έχει καθοριστεί σύμφωνα με την EN60745:

### Μοντέλο JR3060T

Κατάσταση λειτουργίας: κοπή σανίδων  
Εκπομπή δόνησης ( $a_{h,B}$ ): 15,5 m/s<sup>2</sup>  
Αβεβαιότητα (K): 2,0 m/s<sup>2</sup>

Κατάσταση λειτουργίας: κοπή ξύλινων δοκαριών  
Εκπομπή δόνησης ( $a_{h,WB}$ ): 21,0 m/s<sup>2</sup>  
Αβεβαιότητα (K): 1,5 m/s<sup>2</sup>

### Μοντέλο JR3070CT

Κατάσταση λειτουργίας: κοπή σανίδων  
Εκπομπή δόνησης ( $a_{h,B}$ ): 9,5 m/s<sup>2</sup>  
Αβεβαιότητα (K): 1,5 m/s<sup>2</sup>

Κατάσταση λειτουργίας: κοπή ξύλινων δοκαριών  
Εκπομπή δόνησης ( $a_{h,WB}$ ): 10,5 m/s<sup>2</sup>  
Αβεβαιότητα (K): 1,5 m/s<sup>2</sup>

ENG901-1

- Η δηλωθείσα τιμή των παραγομένων κραδασμών έχει καταμετρηθεί σύμφωνα με την τυποποιημένη μέθοδο δοκιμής και μπορεί να χρησιμοποιηθεί για την σύγκριση ενός εργαλείου με ένα άλλο.
- Η δηλωθείσα τιμή των παραγομένων κραδασμών μπορεί επίσης να χρησιμοποιηθεί για μια προκαταρκτική αξιολόγηση της έκθεσης στους κραδασμούς.

### ΠΡΟΕΙΔΟΠΟΙΗΣΗ:

- Η εκπομπή κραδασμών κατά τη διάρκεια της πραγματικής χρήσης του ηλεκτρικού εργαλείου μπορεί να διαφέρει από τη δηλωθείσα τιμή των εκπομπών, ανάλογα με τον τρόπο με τον οποίο χρησιμοποιείται το εργαλείο.
- Φροντίστε να λάβετε τα μέτρα ασφαλείας που απαιτούνται για την προστασία του χρήστη που βασίζονται σε μια εκτίμηση της έκθεσης σε πραγματικές συνθήκες χρήσης (λαμβάνοντας υπόψη όλα τα μέρη του κύκλου λειτουργίας, όπως είναι οι περιπτώσεις κατά τις οποίες το εργαλείο είναι απενεργοποιημένο και όταν λειτουργεί στο ρελαντί επιπρόσθετως του χρόνου κατά τον οποίο το εργαλείο βρίσκεται σε χρήση).

### Για τις ευρωπαϊκές χώρες μόνο

ENH101-17

### ΕΚ – Δήλωση συμμόρφωσης

### Η Makita δηλώνει ότι το παρακάτω μηχανήμα(τα):

Ονομασία μηχανήματος:

Παλινδρομικό πριόνι

Αρ. Μοντέλου/Τύπου: JR3060T, JR3070CT

**Συμμορφώνονται με τις ακόλουθες Ευρωπαϊκές  
Οδηγίες:**

2006/42/EK

Κατασκευάζονται σύμφωνα με το παρακάτω πρότυπο ή  
τυποποιημένα έγγραφα:

EN60745

Το τεχνικό αρχείο σύμφωνα με την 2006/42/EK είναι  
διαθέσιμο από:

Makita, Jan-Baptist Vinkstraat 2, 3070, Belgium

31. 12. 2013



Yasushi Fukaya  
Διευθυντής

Makita, Jan-Baptist Vinkstraat 2, 3070, Belgium

**Makita** Jan-Baptist Vinkstraat 2, 3070, Belgium  
**Makita Corporation** Anjo, Aichi, Japan