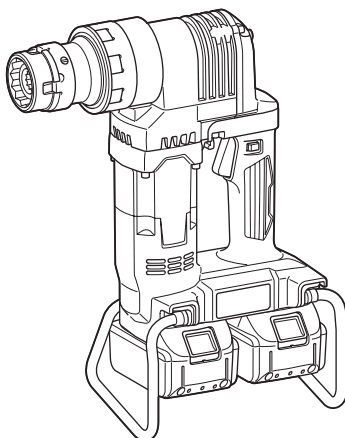




<b>EN</b>	<b>Cordless Shear Wrench</b>	<b>INSTRUCTION MANUAL</b>	<b>5</b>
<b>FR</b>	<b>Boulonneuse HRC sans fil</b>	<b>MANUEL D'INSTRUCTIONS</b>	<b>10</b>
<b>DE</b>	<b>Akku-Abscherschrauber</b>	<b>BETRIEBSANLEITUNG</b>	<b>16</b>
<b>IT</b>	<b>Avvitatore a strappo a batteria</b>	<b>ISTRUZIONI PER L'USO</b>	<b>22</b>
<b>NL</b>	<b>Accubreeksleutel</b>	<b>GEBRUIKSAANWIJZING</b>	<b>28</b>
<b>ES</b>	<b>Llave Degollante Inalámbrica</b>	<b>MANUAL DE INSTRUCCIONES</b>	<b>34</b>
<b>PT</b>	<b>Chave Cisalha a Bateria</b>	<b>MANUAL DE INSTRUÇÕES</b>	<b>40</b>
<b>DA</b>	<b>Akku vridnøgle</b>	<b>BRUGSANVISNING</b>	<b>46</b>
<b>EL</b>	<b>Διατμητικό κλειδί μπαταρίας</b>	<b>ΕΓΧΕΙΡΙΔΙΟ ΟΔΗΓΙΩΝ</b>	<b>51</b>
<b>TR</b>	<b>Akülü civata ucu kesme anahtarı</b>	<b>KULLANMA KILAVUZU</b>	<b>57</b>

## DWT310



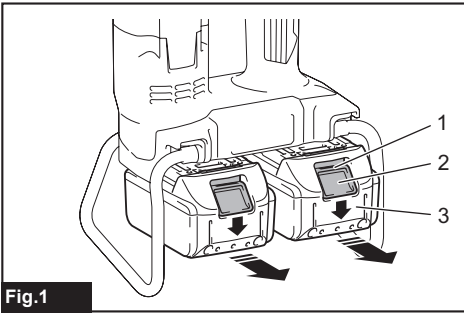


Fig.1

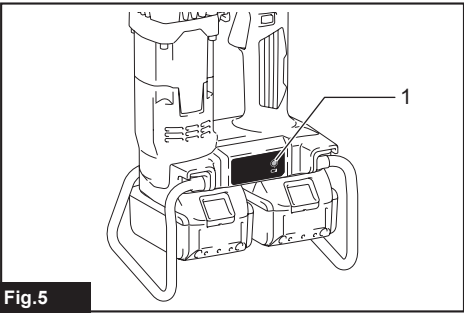


Fig.5



Fig.2

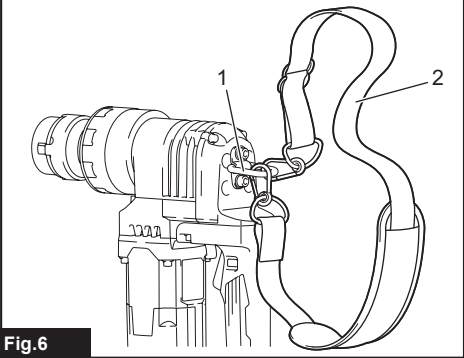


Fig.6

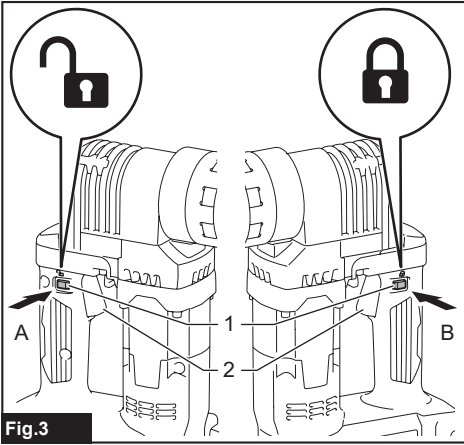


Fig.3

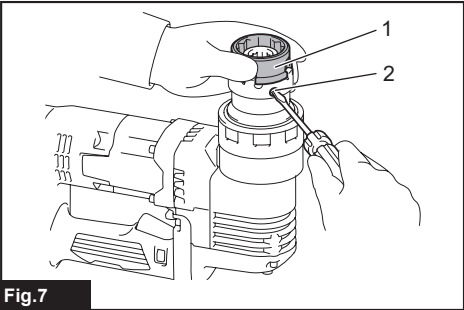


Fig.7

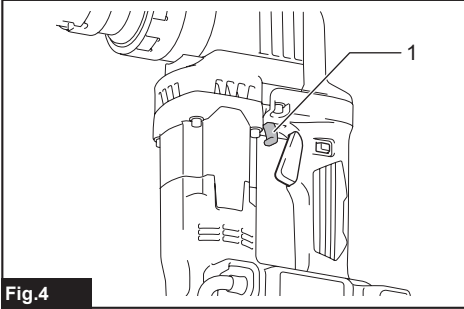


Fig.4

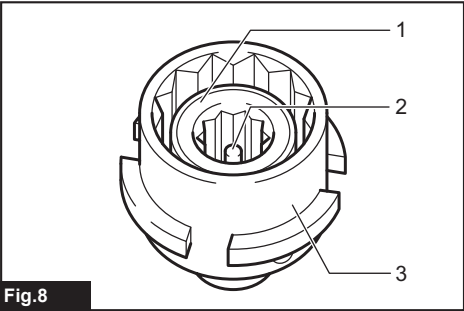


Fig.8

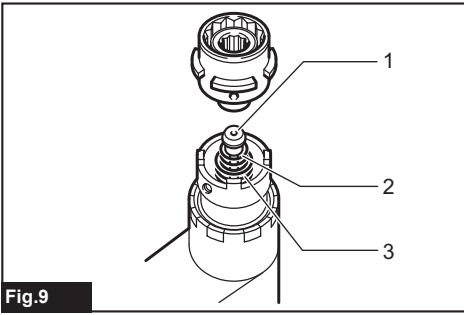


Fig.9

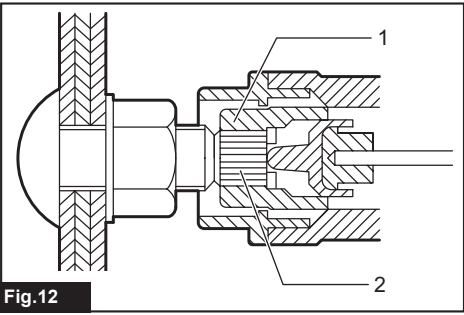


Fig.12

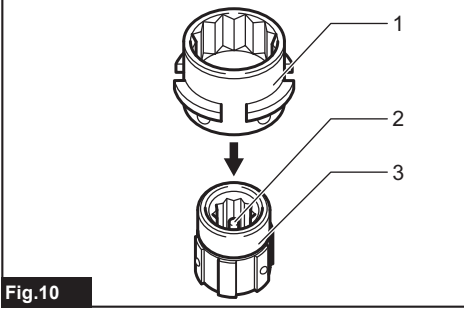


Fig.10

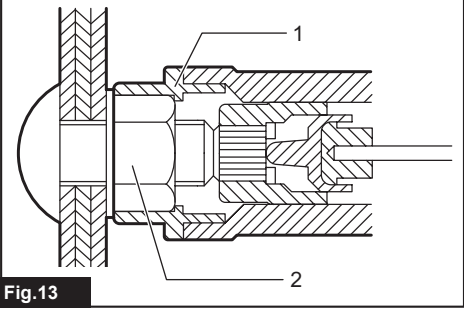


Fig.13

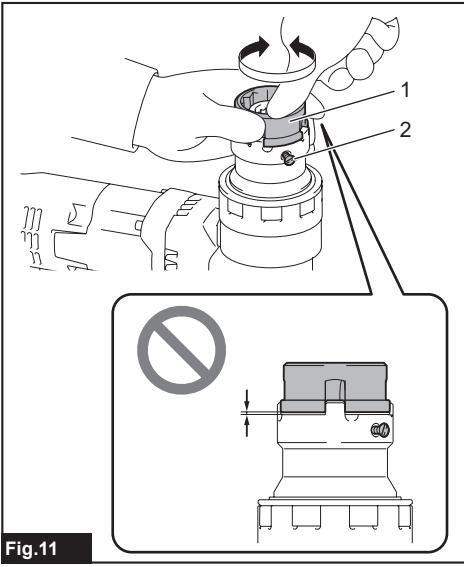


Fig.11

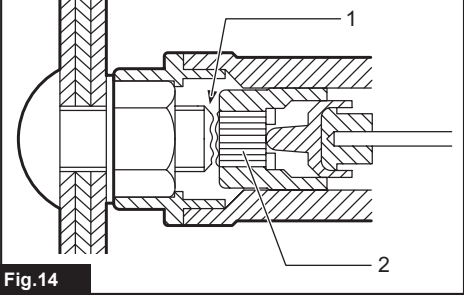


Fig.14

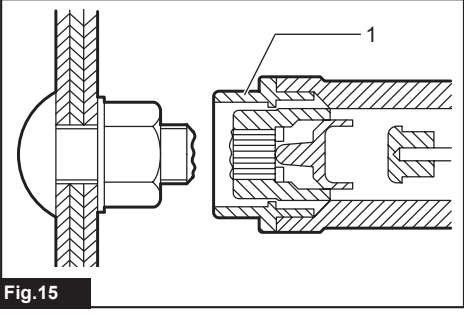
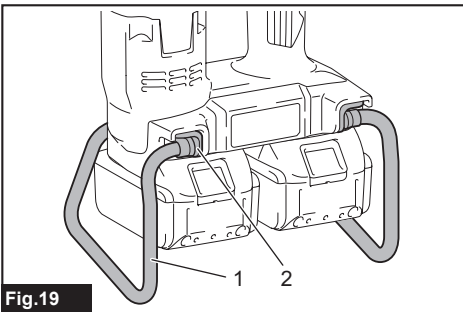
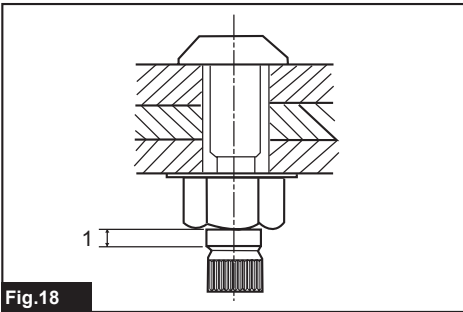
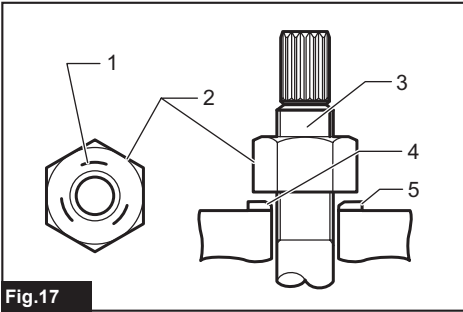
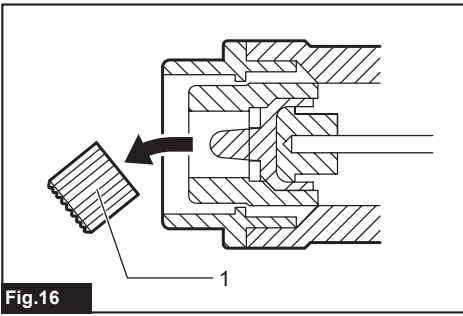


Fig.15



## SPECIFICATIONS

Model:	DWT310
Bolt size	M16, M20, M22
Maximum torque	804 N•m
No load speed (RPM)	14 min <sup>-1</sup>
Overall length	296 mm
Rated voltage	D.C. 36 V
Net weight	6.5 - 7.1 kg

- Due to our continuing program of research and development, the specifications herein are subject to change without notice.
- Specifications and battery cartridge may differ from country to country.
- The weight may differ depending on the attachment(s), including the battery cartridge. The lightest and heaviest combinations, according to EPTA-Procedure 01/2014, are shown in the table.

### Applicable battery cartridge and charger

Battery cartridge	BL1815N / BL1820 / BL1820B / BL1830 / BL1830B / BL1840 / BL1840B / BL1850 / BL1850B / BL1860B
Charger	DC18RC / DC18RD / DC18RE / DC18SD / DC18SE / DC18SF

- Some of the battery cartridges and chargers listed above may not be available depending on your region of residence.

**⚠ WARNING:** Only use the battery cartridges and chargers listed above. Use of any other battery cartridges and chargers may cause injury and/or fire.

### Intended use

The tool is intended for fastening "tor-shear type" high tensile bolts.

### Noise

The typical A-weighted noise level determined according to EN62841-2-2:

Sound pressure level ( $L_{pA}$ ) : 83 dB(A)

Sound power level ( $L_{WA}$ ) : 94 dB (A)

Uncertainty (K) : 3 dB(A)

**NOTE:** The declared noise emission value(s) has been measured in accordance with a standard test method and may be used for comparing one tool with another.

**NOTE:** The declared noise emission value(s) may also be used in a preliminary assessment of exposure.

**⚠ WARNING:** Wear ear protection.

**⚠ WARNING:** The noise emission during actual use of the power tool can differ from the declared value(s) depending on the ways in which the tool is used especially what kind of workpiece is processed.

**⚠ WARNING:** Be sure to identify safety measures to protect the operator that are based on an estimation of exposure in the actual conditions of use (taking account of all parts of the operating cycle such as the times when the tool is switched off and when it is running idle in addition to the trigger time).

### Vibration

The vibration total value (tri-axial vector sum) determined according to EN62841-2-2:

Work mode: screwdriving without impact

Vibration emission ( $a_h$ ) : 2.5 m/s<sup>2</sup> or less

Uncertainty (K) : 1.5 m/s<sup>2</sup>

**NOTE:** The declared vibration total value(s) has been measured in accordance with a standard test method and may be used for comparing one tool with another.

**NOTE:** The declared vibration total value(s) may also be used in a preliminary assessment of exposure.

**⚠ WARNING:** The vibration emission during actual use of the power tool can differ from the declared value(s) depending on the ways in which the tool is used especially what kind of workpiece is processed.

**⚠ WARNING:** Be sure to identify safety measures to protect the operator that are based on an estimation of exposure in the actual conditions of use (taking account of all parts of the operating cycle such as the times when the tool is switched off and when it is running idle in addition to the trigger time).

### EC Declaration of Conformity

*For European countries only*

The EC declaration of conformity is included as Annex A to this instruction manual.

# SAFETY WARNINGS

## General power tool safety warnings

**⚠WARNING:** Read all safety warnings, instructions, illustrations and specifications provided with this power tool. Failure to follow all instructions listed below may result in electric shock, fire and/or serious injury.

## Save all warnings and instructions for future reference.

The term "power tool" in the warnings refers to your mains-operated (corded) power tool or battery-operated (cordless) power tool.

## Cordless Shear Wrench Safety Warnings

1. **Hold the power tool by insulated gripping surfaces, when performing an operation where the fastener may contact hidden wiring.** Fasteners contacting a "live" wire may make exposed metal parts of the power tool "live" and could give the operator an electric shock.
2. **Before using power tool, make sure that the outer sleeve smoothly turns by hand. When it does not smoothly turn, never use it and ask Makita Authorized Service Center for check and repair.**
3. **When sheared bolt tip falls without pulling the eject lever, never use the tool and ask Makita Authorized Service Center for check and repair.**
4. **Always be sure you maintain good balance and firm footing. Be sure no one is below when using the tool in high or elevated locations.**
5. **Hold the tool firmly.**
6. **Use care and common sense when disposing of sheared bolt tips.** Dropping tips from high locations or scattered tips may cause severe injury.
7. **Do not attach the tool to your cloth or safety harness at high locations.**

**⚠WARNING:** DO NOT let comfort or familiarity with product (gained from repeated use) replace strict adherence to safety rules for the subject product. MISUSE or failure to follow the safety rules stated in this instruction manual may cause serious personal injury.

## Important safety instructions for battery cartridge

1. **Before using battery cartridge, read all instructions and cautionary markings on (1) battery charger, (2) battery, and (3) product using battery.**
2. **Do not disassemble battery cartridge.**
3. **If operating time has become excessively shorter, stop operating immediately. It may result in a risk of overheating, possible burns and even an explosion.**
4. **If electrolyte gets into your eyes, rinse them out with clear water and seek medical attention right away. It may result in loss of your eyesight.**

5. **Do not short the battery cartridge:**
  - (1) **Do not touch the terminals with any conductive material.**
  - (2) **Avoid storing battery cartridge in a container with other metal objects such as nails, coins, etc.**
  - (3) **Do not expose battery cartridge to water or rain.****A battery short can cause a large current flow, overheating, possible burns and even a breakdown.**
6. **Do not store the tool and battery cartridge in locations where the temperature may reach or exceed 50 °C (122 °F).**
7. **Do not incinerate the battery cartridge even if it is severely damaged or is completely worn out. The battery cartridge can explode in a fire.**
8. **Be careful not to drop or strike battery.**
9. **Do not use a damaged battery.**
10. **The contained lithium-ion batteries are subject to the Dangerous Goods Legislation requirements.** For commercial transports e.g. by third parties, forwarding agents, special requirement on packaging and labeling must be observed. For preparation of the item being shipped, consulting an expert for hazardous material is required. Please also observe possibly more detailed national regulations. Tape or mask off open contacts and pack up the battery in such a manner that it cannot move around in the packaging.
11. **When disposing the battery cartridge, remove it from the tool and dispose of it in a safe place. Follow your local regulations relating to disposal of battery.**
12. **Use the batteries only with the products specified by Makita.** Installing the batteries to non-compliant products may result in a fire, excessive heat, explosion, or leak of electrolyte.
13. **If the tool is not used for a long period of time, the battery must be removed from the tool.**

## SAVE THESE INSTRUCTIONS.

**⚠CAUTION:** Only use genuine Makita batteries. Use of non-genuine Makita batteries, or batteries that have been altered, may result in the battery bursting causing fires, personal injury and damage. It will also void the Makita warranty for the Makita tool and charger.

## Tips for maintaining maximum battery life

1. **Charge the battery cartridge before completely discharged. Always stop tool operation and charge the battery cartridge when you notice less tool power.**
2. **Never recharge a fully charged battery cartridge. Overcharging shortens the battery service life.**
3. **Charge the battery cartridge with room temperature at 10 °C - 40 °C (50 °F - 104 °F). Let a hot battery cartridge cool down before charging it.**
4. **Charge the battery cartridge if you do not use it for a long period (more than six months).**

# FUNCTIONAL DESCRIPTION

**CAUTION:** Always be sure that the tool is switched off and the battery cartridge is removed before adjusting or checking function on the tool.

## Installing or removing battery cartridge

**CAUTION:** Always switch off the tool before installing or removing of the battery cartridge.

**CAUTION:** Hold the tool and the battery cartridge firmly when installing or removing battery cartridge. Failure to hold the tool and the battery cartridge firmly may cause them to slip off your hands and result in damage to the tool and battery cartridge and a personal injury.

► **Fig.1:** 1. Red indicator 2. Button 3. Battery cartridge

To remove the battery cartridge, slide it from the tool while sliding the button on the front of the cartridge.

To install the battery cartridge, align the tongue on the battery cartridge with the groove in the housing and slip it into place. Insert it all the way until it locks in place with a little click. If you can see the red indicator on the upper side of the button, it is not locked completely.

**CAUTION:** Always install the battery cartridge fully until the red indicator cannot be seen. If not, it may accidentally fall out of the tool, causing injury to you or someone around you.

**CAUTION:** Do not install the battery cartridge forcibly. If the cartridge does not slide in easily, it is not being inserted correctly.

## Indicating the remaining battery capacity

*Only for battery cartridges with the indicator*

► **Fig.2:** 1. Indicator lamps 2. Check button

Press the check button on the battery cartridge to indicate the remaining battery capacity. The indicator lamps light up for a few seconds.

Indicator lamps			Remaining capacity
Lighted	Off	Blinking	
			75% to 100%
			50% to 75%
			25% to 50%
			0% to 25%
			Charge the battery.
			The battery may have malfunctioned.

**NOTE:** Depending on the conditions of use and the ambient temperature, the indication may differ slightly from the actual capacity.

## Tool / battery protection system

The tool is equipped with a tool/battery protection system. This system automatically cuts off power to the motor to extend tool and battery life. The tool will automatically stop during operation if the tool or battery is placed under one of the following conditions:

### Overload protection

When the tool or battery is operated in a manner that causes it to draw an abnormally high current, the tool automatically stops without any indication. In this situation, turn the tool off and stop the application that caused the tool to become overloaded. Then turn the tool on to restart.

### Overheat protection

When the tool or battery is overheated, the tool stops automatically. In this case, let the tool and battery cool before turning the tool on again.

### Overdischarge protection

When the battery capacity is not enough, the tool stops automatically. In this case, remove the battery from the tool and charge the battery.

## Switch action

**WARNING:** Before installing the battery cartridge into the tool, always check to see that the switch trigger actuates properly and returns to the "OFF" position when released.

To prevent the switch trigger from accidentally pulled, the trigger-lock button is provided.

To start the tool, depress the trigger-lock button from A side and pull the switch trigger. Release the switch trigger to stop. After use, press in the trigger-lock button from B side.

► **Fig.3:** 1. Trigger-lock button 2. Switch trigger

**NOTE:** The tool automatically stops if you keep pulling the switch trigger for about 6 minutes.

When you pull the eject lever, the bolt tip is ejected from the tool.

► **Fig.4:** 1. Eject lever

## Battery power lamp

When the remaining battery capacity becomes low, the battery power lamp blinks. Charge the battery or replace the battery with fully charged one. When the remaining battery capacity becomes much lower, the tool stops and the battery power lamp lights up.

► **Fig.5:** 1. Battery power lamp

## Hook

**⚠ CAUTION:** Be sure to attach the shoulder belt included in the tool as the standard accessory. Use the shoulder belt for carrying the tool, and never use the hook for other purposes such as the fall prevention at high location. If the hook is used for other purposes, excessive load may break them and cause serious injury to the operator and person around/underneath the operator.

**⚠ CAUTION:** When you attach the shoulder belt to the hook, be sure to attach it securely. If it is attached incompletely, the tool may come off and cause an injury.

**⚠ CAUTION:** When carrying the tool using the shoulder belt, be careful not to entangle the shoulder belt with your body or objects and not to hit objects with the tool. Failure to do so may cause an accident.

**⚠ CAUTION:** Remove the shoulder belt from the hook before operating the tool. Failure to do so may lose your balance at operation and cause an accident.

► Fig.6: 1. Hook 2. Shoulder belt

Attach the shoulder belt included in the tool as the standard accessory to the hook for carrying the tool. Remove the shoulder belt from the hook before operating the tool.

## ASSEMBLY

**⚠ CAUTION:** Always be sure that the tool is switched off and the battery cartridge is removed before carrying out any work on the tool.

### Removing the outer and inner sleeves

**⚠ CAUTION:** Be careful not to allow foreign matter to enter the insides of the tool when removing or installing the outer and inner sleeves.

1. Loosen the two screws while holding the outer sleeve. The outer and inner sleeves will be pushed up by the springs built into the tool.

► Fig.7: 1. Outer sleeve 2. Screw

2. Press the pin down to remove the inner sleeve from the outer sleeve.

► Fig.8: 1. Inner sleeve 2. Pin 3. Outer sleeve

**NOTICE:** Be careful not to drop the inner sleeve when removing it.

**NOTICE:** Do not remove the tip rod, tip rod spring, and inner sleeve spring from the tool.

► Fig.9: 1. Tip rod 2. Tip rod spring 3. Inner sleeve spring

## Installing the outer and inner sleeves

Place the inner sleeve with the pin facing upward. Attach the outer sleeve to the inner sleeve securely while pressing the pin of the inner sleeve.

► Fig.10: 1. Outer sleeve 2. Pin 3. Inner sleeve

Insert the outer and inner sleeves into the tool while rotating the inner sleeve clockwise and counterclockwise until the outer sleeve touches the tool. Tighten the two screws firmly.

► Fig.11: 1. Outer sleeve 2. Screw

**NOTICE:** Make sure that there is no gap between the outer sleeve and the tool.

## OPERATION

**⚠ CAUTION:** Always insert the battery cartridge all the way until it locks in place. If you can see the red indicator on the upper side of the button, it is not locked completely. Insert it fully until the red indicator cannot be seen. If not, it may accidentally fall out of the tool, causing injury to you or someone around you.

**⚠ CAUTION:** Keep the bolt tips off of the ground, floor, walkways, etc. to prevent injury from tripping or falling.

1. Tighten bolts preliminarily by using a hand wrench.
2. Hold the tool firmly and place the inner sleeve over the bolt so that the inner sleeve completely covers the bolt tip.

► Fig.12: 1. Inner sleeve 2. Bolt tip

**NOTICE:** Be careful when fitting the sleeve onto the bolt tip. Striking the tip can damage it so that it will no longer fit inside the sleeve properly.

3. Push the tool lightly until the outer sleeve completely hold the nut. If the outer sleeve fails to hold the nut, rotate the tool clockwise or counterclockwise while pushing the tool lightly.
4. Press the trigger-lock button, and then pull the switch trigger. The outer sleeve rotates to tighten the nut.

► Fig.13: 1. Outer sleeve 2. Nut

**NOTICE:** Do not force the tool down excessively. Apply the downward force to the degree needed to stabilize the tool.

5. When the specified torque is attained, the bolt tip will be sheared at its notched portion. The bolt tip remains inside the inner sleeve.

► Fig.14: 1. Notched portion 2. Bolt tip

6. Release the switch trigger and withdraw the tool in a straight line.

► Fig.15: 1. Outer sleeve



7. Pull the eject lever to eject the bolt tip from the tool. Catch the sheared bolt tips to prevent them from falling.

► Fig.16: 1. Bolt tip

**NOTICE:** Washer and nut have head and tail. Head has identification mark for nut and chamfer for washer. When placing them, be careful not to place in reverse.

► Fig.17: 1. Identification mark 2. Nut 3. Bolt 4. Chamfered 5. Washer

**NOTICE:** Replace nut, bolt and washer all together at one time when these rotate together, nut rotates excessively or a bolt protrude from nut surface too much or less.

**NOTICE:** Do not reuse used nut, bolt and washer.

The range for the remaining length of bolts after cutting off the bolt tips are determined by bolt size. Refer to the table below and choose shear bolts according to the thickness of workpiece to be fastened.

Bolt size	Maximum remaining length	Minimum remaining length
M16	20 mm	4.5 mm
M20	15 mm	5.5 mm
M22	14 mm	7 mm

► Fig.18: 1. Remaining length

**NOTICE:** Use bolts with the remaining length within the range shown in the table above as bolts with different size have different maximum and minimum remaining length.

**NOTICE:** Be careful not to use bolts beyond the specified range which may cause the tool malfunction.

## MAINTENANCE

**CAUTION:** Always be sure that the tool is switched off and the battery cartridge is removed before attempting to perform inspection or maintenance.

**NOTICE:** Never use gasoline, benzine, thinner, alcohol or the like. Discoloration, deformation or cracks may result.

To maintain product SAFETY and RELIABILITY, repairs, any other maintenance or adjustment should be performed by Makita Authorized or Factory Service Centers, always using Makita replacement parts.

## Battery guard

**WARNING:** Do not remove the battery guard. Do not use the tool with the battery guard removed or damaged. Direct impact to the battery cartridge may cause battery malfunction and result in injury and/or fire. If the battery guard is deformed or damaged, contact your authorized service center for repairs.

**CAUTION:** Do not attach a strap to the battery guard for hanging the tool.

**CAUTION:** Do not attach the shoulder belt to the battery guard.

► Fig.19: 1. Battery guard 2. Battery guard holder

## OPTIONAL ACCESSORIES

**CAUTION:** These accessories or attachments are recommended for use with your Makita tool specified in this manual. The use of any other accessories or attachments might present a risk of injury to persons. Only use accessory or attachment for its stated purpose.

If you need any assistance for more details regarding these accessories, ask your local Makita Service Center.

Bolt size	Sleeve	Length
M16	Outer sleeve	35 mm
	Inner sleeve	36 mm
M20	Outer sleeve	37 mm
	Inner sleeve	38 mm
M22	Outer sleeve	39 mm
	Inner sleeve	39 mm
M22	Outer sleeve	85 mm
	Inner sleeve	85 mm
5/8"	Outer sleeve	35 mm
	Inner sleeve	36 mm
3/4"	Outer sleeve	37 mm
	Inner sleeve	38 mm
3/4"	Outer sleeve	83 mm
	Inner sleeve	84 mm

• Makita genuine battery and charger

**NOTE:** Some items in the list may be included in the tool package as standard accessories. They may differ from country to country.

## SPÉCIFICATIONS

Modèle :	DWT310
Diamètre des boulons	M16, M20, M22
Couple maximum	804 N•m
Vitesse à vide (tr/min)	14 min <sup>-1</sup>
Longueur totale	296 mm
Tension nominale	36 V CC
Poids net	6,5 - 7,1 kg

- Étant donné l'évolution constante de notre programme de recherche et de développement, les spécifications contenues dans ce manuel sont sujettes à modification sans préavis.
- Les spécifications et la batterie peuvent être différentes suivant les pays.
- Le poids peut être différent selon les accessoires, notamment la batterie. Les associations la plus légère et la plus lourde, conformément à la procédure EPTA 01/2014, sont indiquées dans le tableau.

### Batterie et chargeur applicables

Batterie	BL1815N / BL1820 / BL1820B / BL1830 / BL1830B / BL1840 / BL1840B / BL1850 / BL1850B / BL1860B
Chargeur	DC18RC / DC18RD / DC18RE / DC18SD / DC18SE / DC18SF

- Certains chargeurs et batteries répertoriés ci-dessus peuvent ne pas être disponibles selon la région où vous résidez.

**⚠ AVERTISSEMENT** : N'utilisez que les batteries et les chargeurs répertoriés ci-dessus. L'utilisation d'autres batteries et chargeurs peut provoquer des blessures et/ou un incendie.

### Utilisations

L'outil est conçu pour serrer des boulons à haute résistance au cisaillement par torsion.

### Bruit

Niveau de bruit pondéré A typique, déterminé selon EN62841-2-2 :

Niveau de pression sonore ( $L_{pA}$ ) : 83 dB (A)

Niveau de puissance sonore ( $L_{WA}$ ) : 94 dB (A)

Incertitude (K) : 3 dB (A)

**NOTE** : La ou les valeurs d'émission de bruit déclarées ont été mesurées conformément à la méthode de test standard et peuvent être utilisées pour comparer les outils entre eux.

**NOTE** : La ou les valeurs d'émission de bruit déclarées peuvent aussi être utilisées pour l'évaluation préliminaire de l'exposition.

**⚠ AVERTISSEMENT** : Portez un serre-tête antibruit.

**⚠ AVERTISSEMENT** : L'émission de bruit lors de l'usage réel de l'outil électrique peut être différente de la ou des valeurs déclarées, suivant la façon dont l'outil est utilisé, particulièrement selon le type de pièce usinée.

**⚠ AVERTISSEMENT** : Les mesures de sécurité à prendre pour protéger l'utilisateur doivent être basées sur une estimation de l'exposition dans des conditions réelles d'utilisation (en tenant compte de toutes les composantes du cycle d'utilisation, comme par exemple le moment de sa mise hors tension, lorsqu'il tourne à vide et le moment de son déclenchement).

### Vibrations

Valeur totale de vibrations (somme de vecteur triaxial) déterminée selon EN62841-2-2 :

Mode de travail : vissage sans impact

Émission de vibrations ( $a_h$ ) : 2,5 m/s<sup>2</sup> ou moins

Incertitude (K) : 1,5 m/s<sup>2</sup>

**NOTE** : La ou les valeurs de vibration totales déclarées ont été mesurées conformément à la méthode de test standard et peuvent être utilisées pour comparer les outils entre eux.

**NOTE** : La ou les valeurs de vibration totales déclarées peuvent aussi être utilisées pour l'évaluation préliminaire de l'exposition.

**⚠ AVERTISSEMENT** : L'émission de vibrations lors de l'usage réel de l'outil électrique peut être différente de la ou des valeurs déclarées, suivant la façon dont l'outil est utilisé, particulièrement selon le type de pièce usinée.

**⚠ AVERTISSEMENT** : Les mesures de sécurité à prendre pour protéger l'utilisateur doivent être basées sur une estimation de l'exposition dans des conditions réelles d'utilisation (en tenant compte de toutes les composantes du cycle d'utilisation, comme par exemple le moment de sa mise hors tension, lorsqu'il tourne à vide et le moment de son déclenchement).

## Déclaration de conformité CE

### Pour les pays européens uniquement

La déclaration de conformité CE est fournie en Annexe A à ce mode d'emploi.

## CONSIGNES DE SÉCURITÉ

### Consignes de sécurité générales pour outils électriques

**⚠ AVERTISSEMENT** : Veuillez lire les consignes de sécurité, instructions, illustrations et spécifications qui accompagnent cet outil électrique. Le non-respect de toutes les instructions indiquées ci-dessous peut entraîner une électrocution, un incendie et/ou de graves blessures.

### Conservez toutes les mises en garde et instructions pour référence ultérieure.

Le terme « outil électrique » dans les avertissements fait référence à l'outil électrique alimenté par le secteur (avec cordon d'alimentation) ou à l'outil électrique fonctionnant sur batterie (sans cordon d'alimentation).

### Consignes de sécurité pour boulonneuse HRC sans fil

1. **Tenez l'outil électrique par des surfaces de prise isolées lorsque vous effectuez une tâche au cours de laquelle la fixation peut entrer en contact avec des fils cachés.** Le contact des fixations avec un fil sous tension peut transmettre du courant dans les pièces métalliques exposées de l'outil électrique et électrocuter l'opérateur.
2. **Avant d'utiliser l'outil électrique, assurez-vous que le manchon extérieur tourne en douceur avec la main. Le cas contraire, ne l'utilisez en aucun cas et confiez sa vérification et réparation à un centre de service après-vente Makita agréé.**
3. **Si le bout du boulon cisailé tombe sans tirer sur le levier d'éjection, n'utilisez l'outil en aucun cas et confiez sa vérification et réparation à un centre de service après-vente Makita agréé.**
4. **Assurez-vous toujours d'avoir un bon équilibre et une bonne assise. Veillez à ce que personne ne se trouve dessous lorsque vous utilisez l'outil en hauteur.**
5. **Tenez l'outil fermement.**
6. **Agissez avec bon sens et prudence lorsque vous jetez les bouts de boulon cisailés.** Lâcher les bouts depuis un endroit élevé ou des bouts éparpillés peuvent entraîner de graves blessures.
7. **Ne fixez pas l'outil à vos vêtements ou au harnais de sécurité si vous travaillez en hauteur.**

**⚠ AVERTISSEMENT** : NE vous laissez PAS tromper (au fil d'une utilisation répétée) par un sentiment d'aisance et de familiarité avec le produit, en négligeant le respect rigoureux des consignes de sécurité qui accompagnent le produit en question. La MAUVAISE UTILISATION de l'outil ou l'ignorance des consignes de sécurité indiquées dans ce mode d'emploi peut entraîner de graves blessures.

### Consignes de sécurité importantes pour la batterie

1. **Avant d'utiliser la batterie, lisez toutes les instructions et précautions relatives (1) au chargeur de batterie, (2) à la batterie, et (3) au produit utilisant la batterie.**
2. **Ne démontez pas la batterie.**
3. **Cessez immédiatement l'utilisation si le temps de fonctionnement devient excessivement court. Il y a risque de surchauffe, de brûlures, voire d'explosion.**
4. **Si l'électrolyte pénètre dans vos yeux, rincez-les à l'eau claire et consultez immédiatement un médecin. Il y a risque de perte de la vue.**
5. **Ne court-circuitez pas la batterie :**
  - (1) **Ne touchez les bornes avec aucun matériau conducteur.**
  - (2) **Évitez de ranger la batterie dans un conteneur avec d'autres objets métalliques, par exemple des clous, des pièces de monnaie, etc.**
  - (3) **N'exposez pas la batterie à l'eau ou à la pluie.**

Un court-circuit de la batterie peut provoquer une intensité de courant élevée, une surchauffe, parfois des brûlures et même une panne.

6. **Ne rangez pas l'outil et la batterie dans un endroit où la température risque d'atteindre ou de dépasser 50 °C.**
7. **Ne jetez pas la batterie au feu même si elle est sérieusement endommagée ou complètement épuisée. La batterie peut exploser au contact du feu.**
8. **Évitez de laisser tomber ou de cogner la batterie.**
9. **N'utilisez pas la batterie si elle est endommagée.**
10. **Les batteries au lithium-ion contenues sont soumises aux exigences de la législation sur les marchandises dangereuses.**

Lors du transport commercial par des tierces parties ou des transitaires par exemple, des exigences spécifiques en matière d'étiquetage et d'emballage doivent être respectées.

Pour la préparation de l'article expédié, il est nécessaire de consulter un expert en matériau dangereux. Veuillez également respecter les réglementations nationales susceptibles d'être plus détaillées.

Recouvrez les contacts exposés avec du ruban adhésif ou du ruban de masquage et emballez la batterie de telle sorte qu'elle ne puisse pas bouger dans l'emballage.

- Lors de la mise au rebut de la batterie, retirez-la de l'outil et jetez-la en lieu sûr. Suivez les réglementations locales en matière de mise au rebut des batteries.
- Utilisez les batteries uniquement avec les produits spécifiés par Makita. L'insertion de batteries dans des produits non conformes peut provoquer un incendie, une chaleur excessive, une explosion ou une fuite de l'électrolyte.
- Lorsque vous n'utilisez pas l'outil pendant une période prolongée, la batterie doit être retirée de l'outil.

## CONSERVEZ CES INSTRUCTIONS.

**⚠ATTENTION** : N'utilisez que des batteries Makita d'origine. L'utilisation de batteries de marque autre que Makita ou de batteries modifiées peut provoquer l'explosion des batteries, ce qui présente un risque d'incendie, de dommages matériels et corporels. Cela annulera également la garantie Makita pour l'outil et le chargeur Makita.

## Conseils pour assurer la durée de vie optimale de la batterie

- Chargez la batterie avant qu'elle ne soit complètement déchargée. Arrêtez toujours l'outil et rechargez la batterie quand vous remarquez que la puissance de l'outil diminue.
- Ne rechargez jamais une batterie complètement chargée. La surcharge réduit la durée de service de la batterie.
- Chargez la batterie à une température ambiante comprise entre 10 °C et 40 °C. Avant de charger une batterie chaude, laissez-la refroidir.
- Rechargez la batterie si elle est restée inutilisée pendant une période prolongée (plus de six mois).

## DESCRIPTION DU FONCTIONNEMENT

**⚠ATTENTION** : Assurez-vous toujours que l'outil est hors tension et que sa batterie est retirée avant de l'ajuster ou de vérifier son fonctionnement.

### Insertion ou retrait de la batterie

**⚠ATTENTION** : Éteignez toujours l'outil avant de mettre en place ou de retirer la batterie.

**⚠ATTENTION** : Tenez fermement l'outil et la batterie lors de la mise en place ou du retrait de la batterie. Si vous ne tenez pas fermement l'outil et la batterie, ils peuvent vous glisser des mains, et s'abîmer ou vous blesser.

► Fig.1: 1. Voyant rouge 2. Bouton 3. Batterie

Pour retirer la batterie, faites-la glisser hors de l'outil tout en faisant glisser le bouton à l'avant de la batterie.

Pour mettre en place la batterie, alignez la languette sur la batterie avec la rainure sur le compartiment et insérez-la. Insérez-la à fond jusqu'à ce qu'un léger dé clic se fasse entendre. Si le voyant rouge sur le dessus du bouton est visible, cela signifie qu'elle n'est pas bien verrouillée.

**⚠ATTENTION** : Insérez toujours complètement la batterie jusqu'à ce que le voyant rouge ne soit plus visible. Sinon, elle pourrait tomber accidentellement de l'outil, au risque de vous blesser ou de blesser quelqu'un se trouvant près de vous.

**⚠ATTENTION** : N'insérez pas la batterie de force. Si elle ne glisse pas facilement, c'est que vous ne l'insérez pas correctement.

### Indication de la charge restante de la batterie

Uniquement pour les batteries avec voyant lumineux

► Fig.2: 1. Témoins 2. Bouton de vérification

Appuyez sur le bouton de vérification sur la batterie pour indiquer la charge restante de la batterie. Les témoins s'allument pendant quelques secondes.

Témoins			Charge restante
Allumé	Éteint	Clignotant	
■	□	◐	75 % à 100 %
■ ■ ■ ■	□ □ □ □	◐ ◐	
■ ■ ■ ■	□ □ □ □	◐	50 % à 75 %
■ ■ ■ ■	□ □ □ □	◐ ◐	25 % à 50 %
■ ■ ■ ■	□ □ □ □	◐ ◐ ◐ ◐	0 % à 25 %
◐	□ □ □ □	◐ ◐ ◐ ◐	Chargez la batterie.
■ ■ ■ ■	□ □ □ □	◐ ◐	Anomalie possible de la batterie.
□ □ □ □	■ ■ ■ ■	◐ ◐	

**NOTE** : Selon les conditions d'utilisation et la température ambiante, l'indication peut être légèrement différente de la capacité réelle.

## Système de protection de l'outil/la batterie

L'outil est équipé d'un système de protection de l'outil/la batterie. Ce système coupe automatiquement l'alimentation vers le moteur pour prolonger la durée de vie de l'outil et de la batterie. Si l'outil ou la batterie se trouve dans l'une des situations suivantes, l'outil cessera automatiquement de fonctionner.

### Protection contre la surcharge

Lorsque l'outil ou la batterie est utilisé d'une manière provoquant un appel de courant anormalement élevé, l'outil s'arrête automatiquement sans indication. Dans ce cas, éteignez l'outil et arrêtez la tâche ayant provoqué la surcharge de l'outil. Puis rallumez l'outil pour reprendre la tâche.

### Protection contre la surchauffe

En cas de surchauffe de l'outil ou de la batterie, l'outil s'arrête automatiquement. Dans ce cas, laissez l'outil et la batterie refroidir avant de rallumer l'outil.

### Protection contre la décharge totale de la batterie

Lorsque la charge de la batterie est insuffisante, l'outil s'arrête automatiquement. Dans ce cas, retirez la batterie de l'outil et chargez-la.

## Fonctionnement de la gâchette

**AVERTISSEMENT** : Avant d'insérer la batterie dans l'outil, vérifiez toujours que la gâchette fonctionne bien et revient en position d'arrêt lorsque vous la relâchez.

Pour éviter tout déclenchement accidentel de la gâchette, l'outil est muni d'un bouton de verrouillage de la gâchette. Pour démarrer l'outil, appuyez sur le côté A du bouton de verrouillage de la gâchette et enclenchez la gâchette. Pour arrêter l'outil, relâchez la gâchette. Après utilisation, appuyez sur le côté B du bouton de verrouillage de la gâchette.

► **Fig.3:** 1. Bouton de verrouillage de la gâchette  
2. Gâchette

**NOTE** : L'outil s'arrêtera automatiquement si vous continuez d'enclencher la gâchette pendant 6 minutes environ.

Lorsque vous tirez sur le levier d'éjection, le bout du boulon est éjecté de l'outil.

► **Fig.4:** 1. Levier d'éjection

## Témoin de charge de la batterie

Lorsque la charge restante de la batterie diminue, le témoin de charge de la batterie clignote. Rechargez la batterie ou remplacez-la par une batterie complètement chargée. Si la charge restante de la batterie diminue encore plus, l'outil s'arrête et le témoin de charge de la batterie s'allume.

► **Fig.5:** 1. Témoin de charge de la batterie

## Crochet

**ATTENTION** : Veillez à fixer la sangle d'épaule fournie avec l'outil en tant qu'accessoire standard. Utilisez la sangle d'épaule pour transporter l'outil et n'utilisez jamais le crochet à d'autres fins, par exemple la prévention des chutes de hauteur. Si le crochet est utilisé à d'autres fins, la charge excessive risque de le rompre et de blesser grièvement l'utilisateur et les personnes présentes autour ou sous l'utilisateur.

**ATTENTION** : Lorsque vous fixez la sangle d'épaule au crochet, veillez à solidement l'attacher. Si elle est mal attachée, l'outil peut se détacher et vous blesser.

**ATTENTION** : Lors du transport de l'outil au moyen de la sangle d'épaule, prenez garde de ne pas enchevêtrer la sangle d'épaule sur vous ou dans des objets et évitez de frapper des objets avec l'outil. Vous risqueriez autrement de provoquer un accident.

**ATTENTION** : Retirez la sangle d'épaule du crochet avant d'utiliser l'outil. Le non-respect de cette précaution pourrait vous faire perdre l'équilibre pendant l'utilisation et provoquer un accident.

► **Fig.6:** 1. Crochet 2. Sangle d'épaule

Fixez la sangle d'épaule fournie avec l'outil en tant qu'accessoire standard au crochet afin de transporter l'outil. Retirez la sangle d'épaule du crochet avant d'utiliser l'outil.

## ASSEMBLAGE

**ATTENTION** : Assurez-vous toujours que l'outil est hors tension et que sa batterie est retirée avant d'effectuer toute tâche dessus.

### Retrait des manchons intérieur et extérieur

**ATTENTION** : Prenez garde de ne pas laisser de corps étrangers pénétrer à l'intérieur de l'outil lors du retrait ou de la mise en place des manchons intérieur et extérieur.

1. Desserrez les deux vis tout en tenant le manchon extérieur. Les manchons extérieur et intérieur seront poussés vers le haut par les ressorts intégrés à l'outil.  
► **Fig.7:** 1. Manchon extérieur 2. Vis

2. Poussez la tige vers le bas pour retirer le manchon intérieur du manchon extérieur.

► **Fig.8:** 1. Manchon intérieur 2. Tige 3. Manchon extérieur

**REMARQUE** : Faites attention de ne pas lâcher le manchon intérieur lorsque vous le retirez.

**REMARQUE** : Ne retirez pas la tige du bout, le ressort de la tige du bout et le ressort du manchon intérieur de l'outil.

► **Fig.9:** 1. Tige du bout 2. Ressort de la tige du bout 3. Ressort du manchon intérieur

## Mise en place des manchons intérieur et extérieur

Positionnez le manchon intérieur avec la tige tournée vers le haut. Fixez solidement le manchon extérieur sur le manchon intérieur tout en appuyant sur la tige du manchon intérieur.

► **Fig.10:** 1. Manchon extérieur 2. Tige 3. Manchon intérieur

Insérez les manchons intérieur et extérieur dans l'outil tout en tournant le manchon intérieur dans le sens des aiguilles d'une montre et dans le sens inverse des aiguilles d'une montre jusqu'à ce que le manchon extérieur touche l'outil. Serrez solidement les deux vis.

► **Fig.11:** 1. Manchon extérieur 2. Vis

**REMARQUE :** Assurez-vous qu'il n'y a pas d'espaces entre le manchon extérieur et l'outil.

## UTILISATION

**ATTENTION :** Insérez toujours la batterie à fond jusqu'à ce qu'elle se verrouille en place. Si le voyant rouge sur le dessus du bouton est visible, cela signifie qu'elle n'est pas bien verrouillée. Insérez-la complètement jusqu'à ce que le voyant rouge ne soit plus visible. Sinon, elle pourrait tomber accidentellement de l'outil, au risque de vous blesser ou de blesser quelqu'un se trouvant près de vous.

**ATTENTION :** Évitez de poser les bouts de boulon au sol, sur le plancher, dans les allées, etc., pour empêcher les blessures en cas de chute ou de trébuchement.

1. Serrez préalablement les boulons au moyen d'une clé à main.
2. Tenez fermement l'outil et placez le manchon intérieur sur le boulon de sorte qu'il recouvre complètement le bout du boulon.

► **Fig.12:** 1. Manchon intérieur 2. Bout du boulon

**REMARQUE :** Faites attention lorsque vous placez le manchon sur le bout du boulon. Si vous frappez le bout, vous risquez de l'endommager et il ne pourra plus s'insérer correctement dans le manchon.

3. Poussez légèrement l'outil jusqu'à ce que le manchon extérieur retienne complètement l'écrou. Si le manchon extérieur ne retient pas l'écrou, tournez l'outil dans le sens des aiguilles d'une montre ou dans le sens inverse des aiguilles d'une montre tout en poussant légèrement l'outil.

4. Appuyez sur le bouton de verrouillage de la gâchette, puis enclenchez la gâchette. Le manchon extérieur tourne pour serrer l'écrou.

► **Fig.13:** 1. Manchon extérieur 2. Écrou

**REMARQUE :** Ne forcez pas excessivement l'outil vers le bas. Exercez une force descendant dans la mesure nécessaire pour stabiliser l'outil.

5. Lorsque le couple spécifié est atteint, le bout du boulon est cisailé sur sa partie entaillée. Le bout du boulon reste à l'intérieur du manchon intérieur.

► **Fig.14:** 1. Partie entaillée 2. Bout du boulon

6. Relâchez la gâchette et retirez l'outil en ligne droite.

► **Fig.15:** 1. Manchon extérieur

7. Tirez sur le levier d'éjection pour éjecter le bout du boulon de l'outil. Attrapez les bouts de boulon cisailés pour les empêcher de tomber.

► **Fig.16:** 1. Bout du boulon

**REMARQUE :** La rondelle et l'écrou ont une tête et une queue. La tête a une marque d'identification pour l'écrou et un chanfrein pour la rondelle. Lorsque vous les positionnez, faites attention de ne pas les placer à l'envers.

► **Fig.17:** 1. Marque d'identification 2. Écrou 3. Boulon 4. Chanfrein 5. Rondelle

**REMARQUE :** Remplacez l'écrou, le boulon et la rondelle tous ensemble en une fois lorsqu'ils tournent ensemble, que l'écrou tourne trop ou qu'un boulon dépasse trop ou pas assez de la surface de l'écrou.

**REMARQUE :** Ne réutilisez pas un écrou, un boulon et une rondelle usés.

La plage de longueur restante des boulons après la coupe des bouts de boulon est déterminée par le diamètre du boulon. Reportez-vous au tableau ci-dessous et choisissez des boulons de cisaillement selon l'épaisseur de la pièce à serrer.

Diamètre des boulons	Longueur restante maximum	Longueur restante minimum
M16	20 mm	4,5 mm
M20	15 mm	5,5 mm
M22	14 mm	7 mm

► **Fig.18:** 1. Longueur restante

**REMARQUE :** Utilisez des boulons dont la longueur restante se trouve dans la plage indiquée dans le tableau ci-dessus, car les boulons de diamètre différent ont des longueurs restantes minimum et maximum différentes.

**REMARQUE :** Faites attention de ne pas utiliser de boulons en dehors de la plage spécifiée sous peine de provoquer un dysfonctionnement de l'outil.

## ENTRETIEN

**ATTENTION :** Assurez-vous toujours que l'outil est hors tension et que la batterie est retirée avant d'y effectuer tout travail d'inspection ou d'entretien.

**REMARQUE :** N'utilisez jamais d'essence, benzène, diluant, alcool ou autre produit similaire. Cela risquerait de provoquer la décoloration, la déformation ou la fissuration de l'outil.

Pour assurer la SÉCURITÉ et la FIABILITÉ du produit, toute réparation, tout travail d'entretien ou de réglage doivent être effectués par un centre d'entretien Makita agréé, avec des pièces de rechange Makita.

## Protège-batterie

**⚠️ AVERTISSEMENT :** Ne retirez pas le protège-batterie. N'utilisez pas l'outil si le protège-batterie est retiré ou endommagé. Un impact direct sur la batterie peut provoquer son dysfonctionnement et entraîner des blessures et/ou un incendie. Si le protège-batterie est déformé ou endommagé, confiez sa réparation à votre centre d'entretien agréé.

**⚠️ ATTENTION :** Ne fixez pas de sangle au protège-batterie pour suspendre l'outil.

**⚠️ ATTENTION :** Ne fixez pas la sangle d'épaule au protège-batterie.

► Fig.19: 1. Protège-batterie 2. Support du protège-batterie

## ACCESSOIRES EN OPTION

**⚠️ ATTENTION :** Ces accessoires ou pièces complémentaires sont recommandés pour l'utilisation avec l'outil Makita spécifié dans ce mode d'emploi. L'utilisation de tout autre accessoire ou pièce complémentaire peut comporter un risque de blessure. N'utilisez les accessoires ou pièces complémentaires qu'aux fins auxquelles ils ont été conçus.

Pour obtenir plus de détails sur ces accessoires, contactez votre centre d'entretien local Makita.

Diamètre des boulons	Manchon	Longueur
M16	Manchon extérieur	35 mm
	Manchon intérieur	36 mm
M20	Manchon extérieur	37 mm
	Manchon intérieur	38 mm
M22	Manchon extérieur	39 mm
	Manchon intérieur	39 mm
M22	Manchon extérieur	85 mm
	Manchon intérieur	85 mm
5/8"	Manchon extérieur	35 mm
	Manchon intérieur	36 mm
3/4"	Manchon extérieur	37 mm
	Manchon intérieur	38 mm
3/4"	Manchon extérieur	83 mm
	Manchon intérieur	84 mm

- Batterie et chargeur Makita d'origine

**NOTE :** Il se peut que certains éléments de la liste soient compris dans l'emballage de l'outil en tant qu'accessoires standard. Ils peuvent varier d'un pays à l'autre.

## TECHNISCHE DATEN

Modell:	DWT310
Schraubengröße	M16, M20, M22
Maximales Anzugsmoment	804 N·m
Leerlaufdrehzahl (U/min)	14 min <sup>-1</sup>
Gesamtlänge	296 mm
Nennspannung	36 V Gleichstrom
Nettogewicht	6,5 - 7,1 kg

- Wir behalten uns vor, Änderungen der technischen Daten im Zuge der Entwicklung und des technischen Fortschritts ohne vorherige Ankündigung vorzunehmen.
- Die technischen Daten und der Akku können von Land zu Land unterschiedlich sein.
- Das Gewicht kann abhängig von dem Aufsatz (den Aufsätzen), einschließlich des Akkus, unterschiedlich sein. Die leichteste und die schwerste Kombination, gemäß dem EPTA-Verfahren 01/2014, sind in der Tabelle angegeben.

### Zutreffende Akkus und Ladegeräte

Akku	BL1815N / BL1820 / BL1820B / BL1830 / BL1830B / BL1840 / BL1840B / BL1850 / BL1850B / BL1860B
Ladegerät	DC18RC / DC18RD / DC18RE / DC18SD / DC18SE / DC18SF

- Einige der oben aufgelisteten Akkus und Ladegeräte sind je nach Ihrem Wohngebiet eventuell nicht erhältlich.

**⚠️ WARNUNG:** Verwenden Sie nur die oben aufgeführten Akkus und Ladegeräte. Bei Verwendung irgendwelcher anderer Akkus und Ladegeräte besteht Verletzungs- und/oder Brandgefahr.

### Vorgesehene Verwendung

Das Werkzeug ist zum Anziehen von „Tor-Shear“ HV-Schrauben vorgesehen.

### Geräusch

Typischer A-bewerteter Geräuschpegel ermittelt gemäß EN62841-2-2:  
 Schalldruckpegel (L<sub>pA</sub>): 83 dB (A)  
 Schalleistungspegel (L<sub>WA</sub>): 94 dB (A)  
 Messunsicherheit (K): 3 dB (A)

**HINWEIS:** Der (Die) angegebene(n) Schallemissionswert(e) wurde(n) im Einklang mit der Standardprüfmethode gemessen und kann (können) für den Vergleich zwischen Werkzeugen herangezogen werden.

**HINWEIS:** Der (Die) angegebene(n) Schallemissionswert(e) kann (können) auch für eine Vorbewertung des Gefährdungsgrads verwendet werden.

**⚠️ WARNUNG:** Einen Gehörschutz tragen.

**⚠️ WARNUNG:** Die Schallemission während der tatsächlichen Benutzung des Elektrowerkzeugs kann je nach der Benutzungsweise des Werkzeugs, und speziell je nach der Art des bearbeiteten Werkstücks, von dem (den) angegebenen Wert(en) abweichen.

**⚠️ WARNUNG:** Identifizieren Sie Sicherheitsmaßnahmen zum Schutz des Benutzers anhand einer Schätzung des Gefährdungsgrads unter den tatsächlichen Benutzungsbedingungen (unter Berücksichtigung aller Phasen des Arbeitszyklus, wie z. B. Ausschalt- und Leerlaufzeiten des Werkzeugs zusätzlich zur Betriebszeit).

### Schwingungen

Schwingungsgesamtwert (Drei-Achsen-Vektorsumme) ermittelt gemäß EN62841-2-2:  
 Arbeitsmodus: Schraubetrieb ohne Schlag  
 Schwingungsemission (a<sub>h</sub>): 2,5 m/s<sup>2</sup> oder weniger  
 Messunsicherheit (K): 1,5 m/s<sup>2</sup>

**HINWEIS:** Der (Die) angegebene(n) Vibrationsgesamtwert(e) wurde(n) im Einklang mit der Standardprüfmethode gemessen und kann (können) für den Vergleich zwischen Werkzeugen herangezogen werden.

**HINWEIS:** Der (Die) angegebene(n) Vibrationsgesamtwert(e) kann (können) auch für eine Vorbewertung des Gefährdungsgrads verwendet werden.



**⚠️ WARNUNG:** Die Vibrationsemission während der tatsächlichen Benutzung des Elektrowerkzeugs kann je nach der Benutzungsweise des Werkzeugs, und speziell je nach der Art des bearbeiteten Werkstücks, von dem (den) angegebenen Emissionswert(en) abweichen.

**⚠️ WARNUNG:** Identifizieren Sie Sicherheitsmaßnahmen zum Schutz des Benutzers anhand einer Schätzung des Gefährdungsgrads unter den tatsächlichen Benutzungsbedingungen (unter Berücksichtigung aller Phasen des Arbeitszyklus, wie z. B. Ausschalt- und Leerlaufzeiten des Werkzeugs zusätzlich zur Betriebszeit).

## EG-Konformitätserklärung

### Nur für europäische Länder

Die EG-Konformitätserklärung ist als Anhang A in dieser Bedienungsanleitung enthalten.

## SICHERHEITSWARNUNGEN

### Allgemeine Sicherheitswarnungen für Elektrowerkzeuge

**⚠️ WARNUNG:** Lesen Sie alle mit diesem Elektrowerkzeug gelieferten Sicherheitswarnungen, Anweisungen, Abbildungen und technischen Daten durch. Eine Missachtung der unten aufgeführten Anweisungen kann zu einem elektrischen Schlag, Brand und/oder schweren Verletzungen führen.

### Bewahren Sie alle Warnungen und Anweisungen für spätere Bezugnahme auf.

Der Ausdruck „Elektrowerkzeug“ in den Warnhinweisen bezieht sich auf Ihr mit Netzstrom (mit Kabel) oder Akku (ohne Kabel) betriebenes Elektrowerkzeug.

### Sicherheitswarnungen für Akku-Abscherschrauber

1. Halten Sie das Elektrowerkzeug nur an den isolierten Griffflächen, wenn Sie Arbeiten ausführen, bei denen die Gefahr besteht, dass das Befestigungselement verborgene Kabel kontaktiert. Bei Kontakt mit einem Strom führenden Kabel können die freiliegenden Metallteile des Elektrowerkzeugs ebenfalls Strom führend werden, so dass der Benutzer einen elektrischen Schlag erleiden kann.
2. Vergewissern Sie sich vor der Benutzung des Elektrowerkzeugs, dass sich die Außenhülse reibungslos von Hand drehen lässt. Falls sie sich nicht reibungslos dreht, benutzen Sie sie auf keinen Fall, sondern lassen Sie sie von einem autorisierten Makita-Kundendienstzentrum überprüfen und reparieren.

3. Wenn eine abgescherter Schraubenspitze herunterfällt, ohne den Auswerfhebel zu ziehen, benutzen Sie das Werkzeug auf keinen Fall, sondern lassen Sie es von einem autorisierten Makita-Kundendienstzentrum überprüfen und reparieren.
4. Achten Sie stets auf gute Balance und festen Stand. Vergewissern Sie sich bei Einsatz des Werkzeugs an hochgelegenen Arbeitsplätzen, dass sich keine Personen darunter aufhalten.
5. Halten Sie das Werkzeug mit festem Griff.
6. Lassen Sie bei der Beseitigung abgescherter Schraubenspitzen Sorgfalt und gesunden Menschenverstand walten. Von hochgelegenen Arbeitsplätzen herunterfallende oder verstreute Schraubenspitzen können schwere Verletzungen verursachen.
7. Befestigen Sie das Werkzeug an hochgelegenen Arbeitsplätzen nicht an Ihrer Kleidung oder am Sicherheitsgurt.

**⚠️ WARNUNG:** Lassen Sie sich NICHT durch Bequemlichkeit oder Vertrautheit mit dem Produkt (durch wiederholten Gebrauch erworben) von der strikten Einhaltung der Sicherheitsregeln für das vorliegende Produkt abhalten. MISSBRAUCH oder Missachtung der Sicherheitsvorschriften in dieser Anleitung können schwere Verletzungen verursachen.

### Wichtige Sicherheitsanweisungen für Akku

1. Lesen Sie vor der Benutzung des Akkus alle Anweisungen und Warnhinweise, die an (1) Ladegerät, (2) Akku und (3) Akkuwerkzeug angebracht sind.
2. Unterlassen Sie ein Zerlegen des Akkus.
3. Falls die Betriebszeit beträchtlich kürzer geworden ist, stellen Sie den Betrieb sofort ein. Anderenfalls besteht die Gefahr von Überhitzung, möglichen Verbrennungen und sogar einer Explosion.
4. Falls Elektrolyt in Ihre Augen gelangt, waschen Sie sie mit sauberem Wasser aus, und begeben Sie sich unverzüglich in ärztliche Behandlung. Anderenfalls können Sie Ihre Sehkraft verlieren.
5. Der Akku darf nicht kurzgeschlossen werden:
  - (1) Die Kontakte dürfen nicht mit leitfähigem Material berührt werden.
  - (2) Lagern Sie den Akku nicht in einem Behälter zusammen mit anderen Metallgegenständen, wie z. B. Nägel, Münzen usw.
  - (3) Setzen Sie den Akku weder Wasser noch Regen aus.Ein Kurzschluss des Akkus verursacht starken Stromfluss, der Überhitzung, mögliche Verbrennungen und einen Defekt zur Folge haben kann.
6. Lagern Sie das Werkzeug und den Akku nicht an Orten, an denen die Temperatur 50 °C erreichen oder überschreiten kann.

7. Versuchen Sie niemals, den Akku zu verbrennen, selbst wenn er stark beschädigt oder vollkommen verbraucht ist. Der Akku kann im Feuer explodieren.
8. Achten Sie darauf, dass der Akku nicht fallen gelassen oder Stößen ausgesetzt wird.
9. Benutzen Sie keine beschädigten Akkus.
10. Die enthaltenen Lithium-Ionen-Akkus unterliegen den Anforderungen der Gefahrgut-Gesetzgebung.  
Für kommerzielle Transporte, z. B. durch Dritte oder Spediteure, müssen besondere Anforderungen zu Verpackung und Etikettierung beachtet werden.  
Zur Vorbereitung des zu transportierenden Artikels ist eine Beratung durch einen Experten für Gefahrgut erforderlich. Bitte beachten Sie möglicherweise ausführlichere nationale Vorschriften. Überkleben oder verdecken Sie offene Kontakte, und verpacken Sie den Akku so, dass er sich in der Verpackung nicht umher bewegen kann.
11. Entfernen Sie den Akku zum Entsorgen vom Werkzeug, und entsorgen Sie ihn an einem sicheren Ort. Befolgen Sie die örtlichen Vorschriften bezüglich der Entsorgung von Akkus.
12. Verwenden Sie die Akkus nur mit den von Makita angegebenen Produkten. Das Einsetzen der Akkus in nicht konforme Produkte kann zu einem Brand, übermäßiger Hitzebildung, einer Explosion oder Auslaufen von Elektrolyt führen.
13. Soll das Werkzeug längere Zeit nicht benutzt werden, muss der Akku vom Werkzeug entfernt werden.

## DIESE ANWEISUNGEN AUFBEWAHREN.

**⚠ VORSICHT:** Verwenden Sie nur Original-Makita-Akkus. Die Verwendung von Nicht-Original-Makita-Akkus oder von Akkus, die abgeändert worden sind, kann zum Bersten des Akkus und daraus resultierenden Bränden, Personenschäden und Beschädigung führen. Außerdem wird dadurch die Makita-Garantie für das Makita-Werkzeug und -Ladegerät ungültig.

## Hinweise zur Aufrechterhaltung der maximalen Akku-Nutzungsdauer

1. Laden Sie den Akku, bevor er vollkommen erschöpft ist. Schalten Sie das Werkzeug stets aus, und laden Sie den Akku, wenn Sie ein Nachlassen der Werkzeulleistung feststellen.
2. Unterlassen Sie erneutes Laden eines voll aufgeladenen Akkus. Überladen führt zu einer Verkürzung der Nutzungsdauer des Akkus.
3. Laden Sie den Akku bei Raumtemperatur zwischen 10 – 40 °C. Lassen Sie einen heißen Akku abkühlen, bevor Sie ihn laden.
4. Der Akku muss geladen werden, wenn er lange Zeit (länger als sechs Monate) nicht benutzt wird.

## FUNKTIONSBESCHREIBUNG

**⚠ VORSICHT:** Vergewissern Sie sich vor der Durchführung von Einstellungen oder Funktionsprüfungen des Werkzeugs stets, dass das Werkzeug ausgeschaltet und der Akku abgenommen ist.

## Anbringen und Abnehmen des Akkus

**⚠ VORSICHT:** Schalten Sie das Werkzeug stets aus, bevor Sie den Akku anbringen oder abnehmen.

**⚠ VORSICHT:** Halten Sie das Werkzeug und den Akku beim Anbringen oder Abnehmen des Akkus sicher fest. Wenn Sie das Werkzeug und den Akku nicht sicher festhalten, können sie Ihnen aus der Hand rutschen, was zu einer Beschädigung des Werkzeugs und des Akkus und zu Körperverletzungen führen kann.

► **Abb.1:** 1. Rote Anzeige 2. Knopf 3. Akku

Ziehen Sie den Akku zum Abnehmen vom Werkzeug ab, während Sie den Knopf an der Vorderseite des Akkus verschieben.

Richten Sie zum Anbringen des Akkus dessen Führungsfeder auf die Nut im Gehäuse aus, und schieben Sie den Akku hinein. Schieben Sie ihn vollständig ein, bis er mit einem hörbaren Klicken einrastet. Falls die rote Anzeige an der Oberseite des Knopfes sichtbar ist, ist der Akku nicht vollständig verriegelt.

**⚠ VORSICHT:** Schieben Sie den Akku stets bis zum Anschlag ein, bis die rote Anzeige nicht mehr sichtbar ist. Anderenfalls kann er aus dem Werkzeug herausfallen und Sie oder umstehende Personen verletzen.

**⚠ VORSICHT:** Unterlassen Sie Gewaltanwendung beim Anbringen des Akkus. Falls der Akku nicht reibungslos hineingleitet, ist er nicht richtig ausgerichtet.

## Anzeigen der Akku-Restkapazität

### Nur für Akkus mit Anzeige

► **Abb.2:** 1. Anzeigelampen 2. Prüftaste

Drücken Sie die Prüftaste am Akku, um die Akku-Restkapazität anzuzeigen. Die Anzeigelampen leuchten wenige Sekunden lang auf.

Anzeigelampen			Restkapazität
Erleuchtet	Aus	Blinkend	
■	□	◐	75% bis 100%
■ ■ ■ ■	□		50% bis 75%
■ ■ □ □	□ □		25% bis 50%
■ □ □ □	□ □ □ □		0% bis 25%
◐ □ □ □	□ □ □ □		Den Akku aufladen.
■ ■ □ □	□ □ □ □		Möglicherweise liegt eine Funktionsstörung im Akku vor.
□ □ ■ ■	□ □ ■ ■	↑ ↓	

**HINWEIS:** Abhängig von den Benutzungsbedingungen und der Umgebungstemperatur kann die Anzeige geringfügig von der tatsächlichen Kapazität abweichen.

## Werkzeug/Akku-Schutzsystem

Das Werkzeug ist mit einem Werkzeug/Akku-Schutzsystem ausgestattet. Dieses System schaltet die Stromversorgung des Motors automatisch ab, um die Lebensdauer von Werkzeug und Akku zu verlängern. Das Werkzeug bleibt während des Betriebs automatisch stehen, wenn das Werkzeug oder der Akku einer der folgenden Bedingungen unterliegt:

### Überlastschutz

Wird das Werkzeug oder der Akku auf eine Weise benutzt, die eine ungewöhnlich hohe Stromaufnahme bewirkt, bleibt das Werkzeug ohne jegliche Anzeige automatisch stehen. Schalten Sie in dieser Situation das Werkzeug aus, und brechen Sie die Arbeit ab, die eine Überlastung des Werkzeugs verursacht hat. Schalten Sie dann das Werkzeug wieder ein, um es neu zu starten.

### Überhitzungsschutz

Wenn das Werkzeug oder der Akku überhitzt wird, bleibt das Werkzeug automatisch stehen. Lassen Sie das Werkzeug und den Akku in diesem Fall abkühlen, bevor Sie das Werkzeug wieder einschalten.

### Überentladungsschutz

Wenn die Akkukapazität unzureichend wird, bleibt das Werkzeug automatisch stehen. Nehmen Sie in diesem Fall den Akku vom Werkzeug ab, und laden Sie ihn auf.

## Schalterfunktion

**⚠️ WARNUNG:** Vergewissern Sie sich vor dem Einsetzen des Akkus in das Werkzeug stets, dass der Ein-Aus-Schalter ordnungsgemäß funktioniert und beim Loslassen in die AUS-Stellung zurückkehrt.

Um versehentliche Betätigung des Auslöseschalters zu verhüten, ist das Werkzeug mit einem Auslösersperreknopf ausgestattet.

Um das Werkzeug zu starten, drücken Sie den Auslösersperreknopf auf der Seite A hinein, und betätigen Sie den Auslöseschalter. Zum Anhalten lassen Sie den Auslöseschalter los. Drücken Sie den Auslösersperreknopf nach der Benutzung auf der Seite B hinein.

► **Abb.3:** 1. Auslösersperreknopf 2. Auslöseschalter

**HINWEIS:** Das Werkzeug bleibt automatisch stehen, wenn der Ein-Aus-Schalter etwa 6 Minuten lang betätigt wird.

Wenn Sie den Auswerfhebel ziehen, wird die Schraubenspitze aus dem Werkzeug ausgeworfen.

► **Abb.4:** 1. Auswerfhebel

## Akku-Warnleuchte

Wenn die Akku-Restkapazität niedrig wird, blinkt die Akku-Warnleuchte. Laden Sie den Akku auf, oder ersetzen Sie ihn durch einen voll aufgeladenen. Wenn die Akku-Restkapazität erheblich niedriger wird, bleibt das Werkzeug stehen, und die Akku-Warnleuchte leuchtet auf.

► **Abb.5:** 1. Akku-Warnleuchte

## Aufhänger

**⚠️ VORSICHT:** Bringen Sie unbedingt den als Standardzubehör mit dem Werkzeug gelieferten Schulterriemen an. Benutzen Sie den Schulterriemen zum Tragen des Werkzeugs, und benutzen Sie den Aufhänger niemals für andere Zwecke, wie z. B. Sturzprävention an hoch gelegenen Orten. Wird der Aufhänger für andere Zwecke benutzt, kann er durch übermäßige Belastung brechen und schwere Verletzungen des Bedieners und von Personen im Umfeld oder unterhalb des Bedieners verursachen.

**⚠️ VORSICHT:** Wenn Sie den Schulterriemen am Aufhänger befestigen, achten Sie auf sichere Befestigung. Bei unvollständiger Befestigung kann sich das Werkzeug lösen und eine Verletzung verursachen.

**⚠️ VORSICHT:** Wenn Sie das Werkzeug mit dem Schulterriemen tragen, achten Sie darauf, dass sich der Schulterriemen nicht an Ihrem Körper oder an Gegenständen verfängt, und dass Sie keine Gegenstände mit dem Werkzeug treffen. Anderenfalls kann es zu einem Unfall kommen.

**⚠️ VORSICHT:** Entfernen Sie den Schulterriemen vom Aufhänger, bevor Sie das Werkzeug in Betrieb nehmen. Anderenfalls können Sie während der Arbeit Ihr Gleichgewicht verlieren und einen Unfall verursachen.

► **Abb.6:** 1. Aufhänger 2. Schulterriemen

Bringen Sie den als Standardzubehör mit dem Werkzeug gelieferten Schulterriemen zum Tragen des Werkzeugs am Aufhänger an. Entfernen Sie den Schulterriemen vom Aufhänger, bevor Sie das Werkzeug in Betrieb nehmen.

## MONTAGE

**⚠️ VORSICHT:** Vergewissern Sie sich vor der Ausführung von Arbeiten am Werkzeug stets, dass das Werkzeug ausgeschaltet und der Akku abgenommen ist.

## Entfernen der Außen- und Innenhülse

**⚠️ VORSICHT:** Achten Sie beim Abnehmen oder Anbringen der Außen- und Innenhülse darauf, dass keine Fremdkörper in das Werkzeug eindringen.

1. Lösen Sie die zwei Schrauben, während Sie die Außenhülse festhalten. Außen- und Innenhülse werden durch die im Werkzeug eingebauten Federn hochgedrückt.

► **Abb.7:** 1. Außenhülse 2. Schraube

2. Drücken Sie den Stift hinein, um die Innenhülse von der Außenhülse abzunehmen.

► **Abb.8:** 1. Innenhülse 2. Stift 3. Außenhülse

**ANMERKUNG:** Achten Sie darauf, dass Sie die Innenhülse beim Entfernen nicht fallen lassen.

**ANMERKUNG:** Spitzenstange, Spitzstangenfeder und Innenhülsenfeder dürfen nicht vom Werkzeug abgenommen werden.

► **Abb.9:** 1. Spitzenstange 2. Spitzstangenfeder  
3. Innenhülsenfeder

## Montieren der Außen- und Innenhülse

Platzieren Sie die Innenhülse so, dass der Stift nach oben zeigt. Befestigen Sie die Außenhülse sicher an der Innenhülse, während Sie den Stift der Innenhülse drücken.

► **Abb.10:** 1. Außenhülse 2. Stift 3. Innenhülse

Führen Sie Außen- und Innenhülse in das Werkzeug ein, während Sie die Innenhülse im und entgegen dem Uhrzeigersinn drehen, bis die Außenhülse das Werkzeug berührt. Ziehen Sie die zwei Schrauben fest an.

► **Abb.11:** 1. Außenhülse 2. Schraube

**ANMERKUNG:** Vergewissern Sie sich, dass kein Spalt zwischen der Außenhülse und dem Werkzeug vorhanden ist.

## BETRIEB

**⚠ VORSICHT:** Führen Sie den Akku immer vollständig ein, bis er einrastet. Falls die rote Anzeige an der Oberseite des Knopfes sichtbar ist, ist der Akku nicht vollständig verriegelt. Schieben Sie ihn bis zum Anschlag ein, bis die rote Anzeige nicht mehr sichtbar ist. Anderenfalls kann er aus dem Werkzeug herausfallen und Sie oder umstehende Personen verletzen.

**⚠ VORSICHT:** Sammeln Sie die Schraubenspitzen von Bodenflächen, Dielen, Gängen usw. auf, um Verletzungen durch Ausrutschen oder Hinfallen zu verhüten.

1. Ziehen Sie Schrauben vorläufig mit einem Handschraubenschlüssel an.

2. Halten Sie das Werkzeug mit festem Griff, und setzen Sie die Innenhülse auf die Schraube, so dass die Innenhülse die Schraubenspitze vollkommen abdeckt.

► **Abb.12:** 1. Innenhülse 2. Schraubenspitze

**ANMERKUNG:** Lassen Sie Vorsicht walten, wenn Sie die Hülse auf die Schraubenspitze schieben. Die Spitze kann durch Anstoßen beschädigt werden, so dass sie nicht mehr einwandfrei in die Hülse passt.

3. Drücken Sie das Werkzeug leicht an, bis die Außenhülse die Mutter vollkommen hält. Falls die Außenhülse die Mutter nicht hält, drehen Sie das Werkzeug im oder entgegen dem Uhrzeigersinn, während Sie das Werkzeug leicht andrücken.

4. Drücken Sie den Auslösersperrknopf, und betätigen Sie dann den Auslöseschalter. Die Außenhülse dreht sich, um die Mutter anzuziehen.

► **Abb.13:** 1. Außenhülse 2. Mutter

**ANMERKUNG:** Üben Sie keine übermäßige abwärts gerichtete Kraft auf das Werkzeug aus. Üben Sie nur so viel abwärts gerichtete Kraft aus, dass das Werkzeug stabilisiert wird.

5. Wenn das vorgeschriebene Drehmoment erreicht ist, wird die Schraubenspitze am Kerbteil abgesichert. Die Schraubenspitze bleibt in der Innenhülse zurück.

► **Abb.14:** 1. Kerbteil 2. Schraubenspitze

6. Lassen Sie den Auslöseschalter los, und ziehen Sie das Werkzeug geradlinig ab.

► **Abb.15:** 1. Außenhülse

7. Ziehen Sie den Auswerfhebel, um die Schraubenspitze aus dem Werkzeug auszuwerfen. Fangen Sie die abgesicherten Schraubenspitzen auf, um Herunterfallen zu verhüten.

► **Abb.16:** 1. Schraubenspitze

**ANMERKUNG:** Unterlegscheibe und Mutter besitzen eine Vorder- und Rückseite. Die Vorderseite der Mutter weist Kennmarken, und die der Unterlegscheibe eine Abschrägung auf. Achten Sie auf, dass diese Teile nicht verkehrt herum angebracht werden.

► **Abb.17:** 1. Kennmarke 2. Mutter 3. Schraube  
4. Abschrägung 5. Unterlegscheibe

**ANMERKUNG:** Ersetzen Sie Mutter, Schraube und Unterlegscheibe gemeinsam, wenn diese sich zusammen drehen, die Mutter sich übermäßig dreht oder die Schraube zu weit oder zu wenig von der Mutter übersteht.

**ANMERKUNG:** Mutter, Schraube und Unterlegscheibe dürfen nicht wieder verwendet werden.

Der Bereich für die Restlänge von Schrauben nach dem Abschneiden der Schraubenspitzen wird durch die Schraubengröße bestimmt. Wählen Sie Scherschrauben anhand der nachstehenden Tabelle entsprechend der Dicke des zu befestigenden Werkstücks aus.

Schraubengröße	Maximale Restlänge	Minimale Restlänge
M16	20 mm	4,5 mm
M20	15 mm	5,5 mm
M22	14 mm	7 mm

► **Abb.18:** 1. Restlänge

**ANMERKUNG:** Verwenden Sie Schrauben, deren Restlänge innerhalb des in der obigen Tabelle angegebenen Bereichs liegt, da Schrauben mit anderer Größe eine unterschiedliche maximale und minimale Restlänge aufweisen.

**ANMERKUNG:** Verwenden Sie keine Schrauben außerhalb des angegebenen Bereichs, weil sonst eine Funktionsstörung des Werkzeugs verursacht werden kann.

Schraubengröße	Hülse	Länge
M16	Außenhülse	35 mm
	Innenhülse	36 mm
M20	Außenhülse	37 mm
	Innenhülse	38 mm
M22	Außenhülse	39 mm
	Innenhülse	39 mm
M22	Außenhülse	85 mm
	Innenhülse	85 mm
5/8"	Außenhülse	35 mm
	Innenhülse	36 mm
3/4"	Außenhülse	37 mm
	Innenhülse	38 mm
3/4"	Außenhülse	83 mm
	Innenhülse	84 mm

## WARTUNG

**⚠ VORSICHT:** Vergewissern Sie sich vor der Durchführung von Inspektions- oder Wartungsarbeiten stets, dass das Werkzeug ausgeschaltet und der Akku abgenommen ist.

**ANMERKUNG:** Verwenden Sie auf keinen Fall Benzin, Waschbenzin, Verdünnern, Alkohol oder dergleichen. Solche Mittel können Verfärbung, Verformung oder Rissbildung verursachen.

Um die SICHERHEIT und ZUVERLÄSSIGKEIT dieses Produkts zu gewährleisten, sollten Reparaturen und andere Wartungs- oder Einstellarbeiten nur von Makita-Vertragswerkstätten oder Makita-Kundendienstzentren unter ausschließlicher Verwendung von Makita-Originalersatzteilen ausgeführt werden.

## Akku-Schutz

**⚠ WARNUNG:** Entfernen Sie den Akku-Schutz nicht. Benutzen Sie das Werkzeug nicht, wenn der Akku-Schutz abgenommen oder beschädigt ist. Direkter Aufprall auf den Akku kann eine Funktionsstörung des Akkus verursachen und zu einer Verletzung und/oder einem Brand führen. Falls der Akku-Schutz verformt oder beschädigt ist, kontaktieren Sie Ihr autorisiertes Service-Center bezüglich Reparaturen.

**⚠ VORSICHT:** Befestigen Sie keinen Riemen zum Aufhängen des Werkzeugs am Akku-Schutz.

**⚠ VORSICHT:** Befestigen Sie den Schulterriemen nicht am Akku-Schutz.

► **Abb.19:** 1. Akku-Schutz 2. Akku-Schutz-Halter

## SONDERZUBEHÖR

**⚠ VORSICHT:** Die folgenden Zubehörteile oder Vorrichtungen werden für den Einsatz mit dem in dieser Anleitung beschriebenen Makita-Werkzeug empfohlen. Die Verwendung anderer Zubehörteile oder Vorrichtungen kann eine Verletzungsgefahr darstellen. Verwenden Sie Zubehörteile oder Vorrichtungen nur für ihren vorgesehenen Zweck.

Wenn Sie weitere Einzelheiten bezüglich dieser Zubehörteile benötigen, wenden Sie sich bitte an Ihre Makita-Kundendienststelle.

• Original-Makita-Akku und -Ladegerät

**HINWEIS:** Manche Teile in der Liste können als Standardzubehör im Werkzeugsatz enthalten sein. Sie können von Land zu Land unterschiedlich sein.

## DATI TECNICI

Modello:	DWT310
Dimensione bulloni	M16, M20, M22
Coppia massima	804 N•m
Velocità a vuoto (giri/min.)	14 min <sup>-1</sup>
Lunghezza complessiva	296 mm
Tensione nominale	36 V C.C.
Peso netto	6,5 - 7,1 kg

- A causa del nostro programma continuativo di ricerca e sviluppo, i dati tecnici sono soggetti a modifiche senza preavviso.
- I dati tecnici e la cartuccia della batteria potrebbero differire da nazione a nazione.
- Il peso può variare a seconda dell'accessorio o degli accessori, inclusa la cartuccia della batteria. La combinazione più leggera e quella più pesante, secondo la procedura EPTA 01/2014, sono indicate nella tabella.

## Cartuccia della batteria e caricabatterie applicabili

Cartuccia della batteria	BL1815N / BL1820 / BL1820B / BL1830 / BL1830B / BL1840 / BL1840B / BL1850 / BL1850B / BL1860B
Caricabatterie	DC18RC / DC18RD / DC18RE / DC18SD / DC18SE / DC18SF

- Alcune cartucce delle batterie e alcuni caricabatterie elencati sopra potrebbero non essere disponibili a seconda della propria area geografica di residenza.

**⚠AVVERTIMENTO:** Utilizzare solo le cartucce delle batterie e i caricabatterie elencati sopra. L'utilizzo di altre cartucce delle batterie e di altri caricabatterie potrebbe causare lesioni personali e/o un incendio.

## Utilizzo previsto

Questo utensile è progettato per il serraggio di bulloni ad alta resistenza alla trazione del tipo a strappo.

## Rumore

Livello tipico di rumore pesato A determinato in base allo standard EN62841-2-2:

Livello di pressione sonora ( $L_{pA}$ ): 83 dB (A)

Livello di potenza sonora ( $L_{WA}$ ): 94 dB (A)

Incertezza (K): 3 dB (A)

**NOTA:** Il valore o i valori dichiarati delle emissioni di rumori sono stati misurati in conformità a un metodo standard di verifica, e possono essere utilizzati per confrontare un utensile con un altro.

**NOTA:** Il valore o i valori dichiarati delle emissioni di rumori possono venire utilizzati anche per una valutazione preliminare dell'esposizione.

**⚠AVVERTIMENTO:** Indossare protezioni per le orecchie.

**⚠AVVERTIMENTO:** L'emissione di rumori durante l'utilizzo effettivo dell'utensile elettrico può variare rispetto al valore o ai valori dichiarati, a seconda dei modi in cui viene utilizzato l'utensile e specialmente a seconda di che tipo di pezzo venga lavorato.

**⚠AVVERTIMENTO:** Accertarsi di identificare misure di sicurezza per la protezione dell'operatore che siano basate su una stima dell'esposizione nelle condizioni effettive di utilizzo (tenendo conto di tutte le parti del ciclo operativo, ad esempio del numero di spegnimenti dell'utensile e di quando giri a vuoto, oltre al tempo di attivazione).

## Vibrazioni

Valore totale delle vibrazioni (somma vettoriale triassiale) determinato in base allo standard EN62841-2-2: Modalità di lavoro: avvistamento senza impatto Emissione di vibrazioni ( $a_h$ ): 2,5 m/s<sup>2</sup> o inferiore Incertezza (K): 1,5 m/s<sup>2</sup>

**NOTA:** Il valore o i valori complessivi delle vibrazioni dichiarati sono stati misurati in conformità a un metodo standard di verifica, e possono essere utilizzati per confrontare un utensile con un altro.

**NOTA:** Il valore o i valori complessivi delle vibrazioni dichiarati possono venire utilizzati anche per una valutazione preliminare dell'esposizione.

**⚠AVVERTIMENTO:** L'emissione delle vibrazioni durante l'utilizzo effettivo dell'utensile elettrico può variare rispetto al valore o ai valori dichiarati, a seconda dei modi in cui viene utilizzato l'utensile, specialmente a seconda di che tipo di pezzo venga lavorato.

**⚠AVVERTIMENTO:** Accertarsi di identificare misure di sicurezza per la protezione dell'operatore che siano basate su una stima dell'esposizione nelle condizioni effettive di utilizzo (tenendo conto di tutte le parti del ciclo operativo, ad esempio del numero di spegnimenti dell'utensile e di quando giri a vuoto, oltre al tempo di attivazione).

## Dichiarazione di conformità CE

*Solo per i paesi europei*

La dichiarazione di conformità CE è inclusa nell'Allegato A al presente manuale di istruzioni.

## AVVERTENZE DI SICUREZZA

### Avvertenze generali relative alla sicurezza dell'utensile elettrico

**⚠AVVERTIMENTO:** Leggere tutte le avvertenze di sicurezza, le istruzioni, le illustrazioni e i dati tecnici forniti con il presente utensile elettrico. La mancata osservanza di tutte le istruzioni elencate di seguito potrebbe risultare in scosse elettriche, incendi e/o gravi lesioni personali.

## Conservare tutte le avvertenze e le istruzioni come riferimento futuro.

Il termine "utensile elettrico" nelle avvertenze si riferisce sia all'utensile elettrico (cablato) nel funzionamento alimentato da rete elettrica che all'utensile elettrico (a batteria) nel funzionamento alimentato a batteria.

### Avvertenze per la sicurezza dell'avvitatore a strappo a batteria

1. **Mantenere l'utensile elettrico per le sue superfici di impugnatura isolate, quando si intende eseguire un'operazione in cui l'elemento di fissaggio potrebbe entrare in contatto con fili elettrici nascosti.** Gli elementi di fissaggio che entrino in contatto con un filo elettrico sotto tensione potrebbero mettere sotto tensione le parti metalliche esposte dell'utensile elettrico, e trasmettere una scossa elettrica all'operatore.
2. **Prima di utilizzare l'utensile elettrico, accertarsi che il manico esterno giri in modo fluido a mano. Qualora non giri in modo fluido, non utilizzarlo mai e rivolgersi a un centro di assistenza autorizzato Makita per il controllo e la riparazione.**

3. **Qualora la punta del bullone tagliata cada senza tirare la leva di espulsione, non utilizzare mai l'utensile, e rivolgersi a un centro di assistenza autorizzato Makita per il controllo e la riparazione.**
4. **Accertarsi sempre di mantenere un buon equilibrio e un saldo appoggio sui piedi. Accertarsi che non sia presente alcuna persona sotto di sé quando si intende utilizzare l'utensile in ubicazioni alte o elevate.**
5. **Mantenere saldamente l'utensile.**
6. **Adottare cautela e buon senso durante lo smaltimento delle punte dei bulloni tagliate.** La caduta delle punte da ubicazioni elevate o lo spargimento delle punte potrebbero causare gravi lesioni personali.
7. **Non fissare l'utensile ai propri indumenti o a un'imbracatura di sicurezza in ubicazioni elevate.**

**⚠AVVERTIMENTO:** NON lasciare che la comodità o la familiarità d'uso con il prodotto (acquisita con l'uso ripetuto) sostituiscano la stretta osservanza delle norme di sicurezza. L'USO IMPROPRIO o la mancata osservanza delle norme di sicurezza riportate nel presente manuale di istruzioni potrebbero causare lesioni personali gravi.

### Istruzioni di sicurezza importanti per la cartuccia della batteria

1. **Prima di utilizzare la cartuccia della batteria, leggere tutte le istruzioni e le avvertenze riportate (1) sul caricabatteria, (2) sulla batteria e (3) sul prodotto che utilizza la batteria.**
2. **Non smontare la cartuccia della batteria.**
3. **Qualora il tempo di utilizzo si riduca eccessivamente, interrompere immediatamente l'utilizzo dell'utensile. In caso contrario, si può incorrere nel rischio di surriscaldamento, possibili ustioni e persino un'esplosione.**
4. **Qualora l'elettrolita entri in contatto con gli occhi, sciacquarli con acqua pulita e richiedere immediatamente assistenza medica. Questa eventualità può risultare nella perdita della vista.**
5. **Non cortocircuitare la cartuccia della batteria:**
  - (1) **Non toccare i terminali con alcun materiale conduttivo.**
  - (2) **Evitare di conservare la cartuccia della batteria in un contenitore insieme ad altri oggetti metallici quali chiodi, monete, e così via.**
  - (3) **Non esporre la cartuccia della batteria all'acqua o alla pioggia.****Un cortocircuito della batteria può causare un grande flusso di corrente, un surriscaldamento, possibili ustioni e persino un guasto.**
6. **Non conservare l'utensile e la cartuccia della batteria in ubicazioni in cui la temperatura possa raggiungere o superare i 50°C.**
7. **Non incenerire la cartuccia della batteria anche qualora sia gravemente danneggiata o completamente esaurita. La cartuccia della batteria può esplodere se a contatto con il fuoco.**

8. **Fare attenzione a non far cadere e a non colpire la batteria.**
9. **Non utilizzare una batteria danneggiata.**
10. **Le batterie a ioni di litio contenute sono soggette ai requisiti del regolamento sul trasporto di merci pericolose (Dangerous Goods Legislation).**

Per trasporti commerciali, ad esempio da parte di terzi o spedizionieri, è necessario osservare dei requisiti speciali sull'imballaggio e sull'etichetta. Per la preparazione dell'articolo da spedire, è richiesta la consulenza di un esperto in materiali pericolosi. Attenersi anche alle normative nazionali, che potrebbero essere più dettagliate. Nasstrare o coprire i contatti aperti e imballare la batteria in modo tale che non si possa muovere liberamente all'interno dell'imballaggio.

11. **Quando si intende smaltire la cartuccia della batteria, rimuoverla dall'utensile e smaltirla in un luogo sicuro. Attenersi alle normative locali relative allo smaltimento della batteria.**
12. **Utilizzare le batterie esclusivamente con i prodotti specificati da Makita.** L'installazione delle batterie in prodotti non compatibili potrebbe risultare in incendi, calore eccessivo, esplosioni o perdite di liquido elettrolitico.
13. **Se l'utensile non viene utilizzato per un periodo di tempo prolungato, la batteria deve essere rimossa dall'utensile.**

## CONSERVARE LE PRESENTI ISTRUZIONI.

**ATTENZIONE:** Utilizzare solo batterie originali Makita. L'utilizzo di batterie Makita non originali, o di batterie che siano state alterate, potrebbe risultare nello scoppio della batteria, causando incendi, lesioni personali e danni. Inoltre, ciò potrebbe invalidare la garanzia Makita per l'utensile e il caricabatterie Makita.

## Suggerimenti per preservare la durata massima della batteria

1. **Caricare la cartuccia della batteria prima che si scarichi completamente. Smettere sempre di utilizzare l'utensile e caricare la cartuccia della batteria quando si nota che la potenza dell'utensile è diminuita.**
2. **Non ricaricare mai una cartuccia della batteria completamente carica. La sovraccarica riduce la vita utile della batteria.**
3. **Caricare la cartuccia della batteria a una temperatura ambiente compresa tra 10°C e 40°C. Lasciar raffreddare una cartuccia della batteria prima di caricarla.**
4. **Caricare la cartuccia della batteria se non la si è utilizzata per un periodo di tempo prolungato (più di sei mesi).**

## DESCRIZIONE DELLE FUNZIONI

**ATTENZIONE:** Accertarsi sempre che l'utensile sia spento e che la cartuccia della batteria sia stata rimossa prima di regolare o di controllare il funzionamento dell'utensile.

## Installazione o rimozione della cartuccia della batteria

**ATTENZIONE:** Spegnerne sempre l'utensile prima di installare o rimuovere la cartuccia della batteria.

**ATTENZIONE:** Mantenere saldamente lo strumento e la batteria quando si intende installare o rimuovere la cartuccia della batteria. Qualora non si mantengano saldamente lo strumento e la cartuccia della batteria, questi ultimi potrebbero scivolare dalle mani, con la possibilità di causare un danneggiamento dello strumento e della cartuccia della batteria, nonché una lesione personale.

► Fig.1: 1. Indicatore rosso 2. Pulsante 3. Cartuccia della batteria

Per rimuovere la cartuccia della batteria, farla scorrere via dall'utensile mentre si fa scorrere allo stesso tempo il pulsante sulla parte anteriore della cartuccia.

Per installare la cartuccia della batteria, allineare l'appendice della batteria con la scanalatura nell'alloggiamento e farla scivolare in sede. Inserirla completamente fino al suo blocco in sede con un leggero scatto. Se è possibile vedere l'indicatore rosso sul lato superiore del pulsante, la batteria non è bloccata completamente.

**ATTENZIONE:** Installare sempre fino in fondo la cartuccia della batteria, fino a quando l'indicatore rosso non è più visibile. In caso contrario, la batteria potrebbe cadere accidentalmente dall'utensile, causando lesioni personali all'operatore o a chi gli è vicino.

**ATTENZIONE:** Non installare forzatamente la cartuccia della batteria. Qualora la batteria non si inserisca scorrendo agevolmente, vuol dire che non viene inserita correttamente.

## Indicazione della carica residua della batteria

*Solo per cartucce delle batterie dotate di indicatore*

► Fig.2: 1. Indicatori luminosi 2. Pulsante di controllo

Premere il pulsante di controllo sulla cartuccia della batteria per indicare la carica residua della batteria. Gli indicatori luminosi si illuminano per alcuni secondi.



Indicatori luminosi			Carica residua
■ Illuminato	□ Spento	▬ Lampeggiante	
■ ■ ■ ■			Dal 75% al 100%
■ ■ ■ □			Dal 50% al 75%
■ ■ □ □			Dal 25% al 50%
■ □ □ □			Dallo 0% al 25%
▬ □ □ □			Caricare la batteria.
■ ■ □ □	↑ □ □	↓ ■ ■	La batteria potrebbe essersi guastata.

**NOTA:** A seconda delle condizioni d'uso e della temperatura ambiente, l'indicazione potrebbe variare leggermente rispetto alla carica effettiva.

## Sistema di protezione strumento/ batteria

L'utensile è dotato di un sistema di protezione dell'utensile stesso e della batteria. Tale sistema interrompe automaticamente l'alimentazione al motore per prolungare la vita utile dell'utensile e della batteria. L'utensile si arresta automaticamente durante il funzionamento, qualora l'utensile o la batteria vengano a trovarsi in una delle condizioni seguenti:

### Protezione dal sovraccarico

Quando l'utensile o la batteria vengono fatti funzionare in un modo che causi un assorbimento di corrente elevato in modo anomalo, l'utensile si arresta automaticamente senza alcuna indicazione. In questa circostanza, spegnere l'utensile e interrompere l'applicazione che ha causato il sovraccarico dell'utensile. Quindi, accendere l'utensile per ricominciare.

### Protezione dal surriscaldamento

Quando l'utensile o la batteria sono surriscaldati, l'utensile si arresta automaticamente. In questo caso, lasciar raffreddare l'utensile e la batteria prima di riaccendere l'utensile.

### Protezione dalla sovrascarica

Quando la carica della batteria non è sufficiente, l'utensile si arresta automaticamente. In tal caso, rimuovere la batteria dall'utensile e caricarla.

## Funzionamento dell'interruttore

**AVVERTIMENTO:** Prima di inserire la cartuccia della batteria nell'utensile, controllare sempre che l'interruttore a grilletto funzioni correttamente e torni sulla posizione "OFF" quando viene rilasciato.

Per evitare che l'interruttore a grilletto venga premuto accidentalmente, viene fornito un pulsante di blocco del grilletto. Per avviare l'utensile, far rientrare il pulsante di blocco del grilletto premendolo dal lato A e premere l'interruttore a grilletto. Per arrestare l'utensile, rilasciare l'interruttore a grilletto. Dopo l'uso, far rientrare il pulsante di blocco del grilletto premendolo dal lato B.

► **Fig.3:** 1. Pulsante di blocco del grilletto  
2. Interruttore a grilletto

**NOTA:** L'utensile si arresta automaticamente se si tiene premuto l'interruttore a grilletto per circa 6 minuti.

Quando si preme la leva di espulsione, la punta del bullone viene espulsa dall'utensile.

► **Fig.4:** 1. Leva di espulsione

## Indicatore luminoso di carica della batteria

Quando la carica residua della batteria diventa bassa, l'indicatore luminoso di carica della batteria lampeggia. Caricare la batteria o sostituirla con una completamente carica. Quando la carica residua della batteria diventa molto più bassa, l'utensile si arresta e l'indicatore luminoso di carica della batteria si illumina.

► **Fig.5:** 1. Indicatore luminoso di carica della batteria

## Gancio

**ATTENZIONE:** Accertarsi di montare la tracolla inclusa con l'utensile come accessorio in dotazione. Utilizzare la tracolla per trasportare l'utensile, e non utilizzare mai il gancio ad altri scopi, ad esempio per prevenire le cadute in ubicazioni elevate. Qualora il gancio venga utilizzato ad altri scopi, un carico eccessivo potrebbe romperlo e causare gravi lesioni personali all'operatore e a persone in prossimità o al di sotto dell'operatore.

**ATTENZIONE:** Quando si monta la tracolla sul gancio, accertarsi di fissarla saldamente. Qualora venga fissata in modo incompleto, l'utensile potrebbe sganciarsi e causare lesioni personali.

**ATTENZIONE:** Quando si intende trasportare l'utensile utilizzando la tracolla, fare attenzione a non far impigliare la tracolla nel corpo o in altri oggetti e a non colpire oggetti con l'utensile. In caso contrario, si potrebbe causare un incidente.

**ATTENZIONE:** Rimuovere la tracolla dal gancio prima di utilizzare l'utensile. In caso contrario, si potrebbe perdere l'equilibrio durante l'uso e causare un incidente.

► **Fig.6:** 1. Gancio 2. Tracolla

Montare la tracolla inclusa con l'utensile come accessorio in dotazione sul gancio per trasportare l'utensile. Rimuovere la tracolla dal gancio prima di utilizzare l'utensile.

## MONTAGGIO

**ATTENZIONE:** Accertarsi sempre che l'utensile sia spento e che la cartuccia della batteria sia stata rimossa, prima di effettuare qualsiasi intervento sull'utensile.

### Rimozione del manicotto esterno e di quello interno

**ATTENZIONE:** Fare attenzione a non consentire a corpi estranei di penetrare all'interno dell'utensile durante la rimozione o l'installazione del manicotto esterno e di quello interno.

1. Allentare le due viti mentre si tiene fermo il manicotto esterno. Il manicotto esterno e quello interno vengono spinti verso l'alto dalle molle incorporate nell'utensile.

► Fig.7: 1. Manicotto esterno 2. Vite

2. Premere verso il basso il perno per rimuovere il manicotto interno dal manicotto esterno.

► Fig.8: 1. Manicotto interno 2. Perno 3. Manicotto esterno

**AVVISO:** Fare attenzione a non far cadere il manicotto interno durante la sua rimozione.

**AVVISO:** Non rimuovere l'asta all'estremità, la molla dell'asta all'estremità e la molla del manicotto interno dall'utensile.

► Fig.9: 1. Asta all'estremità 2. Molla dell'asta all'estremità 3. Molla del manicotto interno

### Installazione del manicotto esterno e di quello interno

Posizionare il manicotto interno con il perno rivolto verso l'alto. Fissare saldamente il manicotto esterno al manicotto interno mentre si tiene premuto il perno del manicotto interno.

► Fig.10: 1. Manicotto esterno 2. Perno 3. Manicotto interno

Inserire il manicotto esterno e quello interno nell'utensile facendo ruotare il manicotto interno in senso orario e antiorario, fino a quando il manicotto esterno tocca l'utensile. Serrare saldamente le due viti.

► Fig.11: 1. Manicotto esterno 2. Vite

**AVVISO:** Accertarsi che non sia presente alcuna separazione tra il manicotto esterno e l'utensile.

## FUNZIONAMENTO

**ATTENZIONE:** Inserire sempre completamente la cartuccia della batteria, fino al suo arresto in sede. Qualora si veda l'indicatore rosso sul lato superiore del pulsante, la batteria non è bloccata completamente. Inserirlo completamente, fino a quando l'indicatore rosso non è più visibile. In caso contrario, la batteria potrebbe fuoriuscire e cadere accidentalmente dall'utensile, causando lesioni personali all'operatore o a chi gli è vicino.

**ATTENZIONE:** Non appoggiare le punte dei bulloni su terreno, pavimenti, passerelle, e così via, per evitare di causare lesioni personali inciampando o cadendo.

1. Effettuare un serraggio preliminare dei bulloni utilizzando una chiave a mano.

2. Tenere saldamente l'utensile e posizionare il manicotto interno sul bullone in modo che il manicotto interno copra completamente la punta del bullone.

► Fig.12: 1. Manicotto interno 2. Punta del bullone

**AVVISO:** Fare attenzione quando si inserisce il manicotto sulla punta del bullone. Qualora si colpisca la punta, la si potrebbe danneggiare al punto da non farla più entrare correttamente all'interno del manicotto.

3. Premere leggermente l'utensile fino a quando il manicotto esterno afferra completamente il dado. Qualora il manicotto esterno non riesca ad afferrare il dado, ruotare l'utensile in senso orario o in senso antiorario mentre si preme leggermente l'utensile.

4. Premere il pulsante di blocco del grilletto, quindi premere l'interruttore a grilletto. Il manicotto esterno ruota per serrare il dado.

► Fig.13: 1. Manicotto esterno 2. Dado

**AVVISO:** Non forzare eccessivamente l'utensile verso il basso. Esercitare forza verso il basso entro il limite necessario per stabilizzare l'utensile.

5. Quando si raggiunge la coppia specificata, la punta del bullone viene tagliata all'altezza della sua parte intaccata. La punta del bullone resta dentro il manicotto interno.

► Fig.14: 1. Parte intaccata 2. Punta del bullone

6. Rilasciare l'interruttore a grilletto e ritirare l'utensile in linea retta.

► Fig.15: 1. Manicotto esterno

7. Premere la leva di espulsione per espellere la punta del bullone dall'utensile. Afferrare le punte dei bulloni tagliate per evitare che cadano.

► Fig.16: 1. Punta del bullone

**AVVISO:** Le rondelle e i dadi hanno una testa e una coda. La testa presenta un segno di identificazione sui dadi e una smussatura sulle rondelle. Quando li si inserisce, fare attenzione a non inserirli alla rovescia.

► Fig.17: 1. Segno di identificazione 2. Dado 3. Bullone 4. Smussatura 5. Rondella

**AVVISO:** Sostituire dado, bullone e rondella qualora tutte queste parti ruotino assieme, il dado giri eccessivamente o un bullone sporga troppo o troppo poco dalla superficie del dado.

**AVVISO:** Non riutilizzare dadi, bulloni e rondelle usati.

L'intervallo della lunghezza restante dei bulloni dopo la troncatura delle punte di questi ultimi è determinato dalla dimensione dei bulloni. Fare riferimento alla tabella seguente e scegliere i bulloni a strappo in base allo spessore del pezzo in lavorazione da fissare.

Dimensione bulloni	Lunghezza restante massima	Lunghezza restante minima
M16	20 mm	4,5 mm
M20	15 mm	5,5 mm
M22	14 mm	7 mm

► Fig.18: 1. Lunghezza restante

**AVVISO:** Utilizzare bulloni con una lunghezza restante compresa nell'intervallo indicato nella tabella sopra, in quanto bulloni con dimensioni diverse hanno lunghezze restanti massime e minime diverse.

**AVVISO:** Fare attenzione a non utilizzare bulloni che non rientrino nell'intervallo specificato, in quanto potrebbero causare il malfunzionamento dell'utensile.

## MANUTENZIONE

**ATTENZIONE:** Accertarsi sempre che l'utensile sia spento e che la cartuccia della batteria sia stata rimossa prima di tentare di eseguire interventi di ispezione o manutenzione.

**AVVISO:** Non utilizzare mai benzina, benzene, solventi, alcol o altre sostanze simili. In caso contrario, si potrebbero causare scolorimenti, deformazioni o crepe.

Per preservare la SICUREZZA e l'AFFIDABILITÀ del prodotto, le riparazioni e qualsiasi altro intervento di manutenzione e di regolazione devono essere eseguiti da un centro di assistenza autorizzato Makita, utilizzando sempre ricambi Makita.

### Protezione della batteria

**AVVERTIMENTO:** Non rimuovere la protezione della batteria. Non utilizzare l'utensile con la protezione della batteria rimossa o danneggiata. Un impatto diretto con la cartuccia della batteria potrebbe causare un malfunzionamento della batteria e risultare in lesioni personali e/o in un incendio. Qualora la protezione della batteria sia deformata o danneggiata, contattare il proprio centro di assistenza autorizzato per le riparazioni.

**ATTENZIONE:** Non fissare una cinghietta alla protezione della batteria per appendere l'utensile.

**ATTENZIONE:** Non montare la tracolla sulla protezione della batteria.

► Fig.19: 1. Protezione della batteria 2. Supporto della protezione della batteria

## ACCESSORI OPZIONALI

**ATTENZIONE:** Questi accessori o componenti aggiuntivi sono consigliati per l'uso con l'utensile Makita specificato nel presente manuale.

L'impiego di altri accessori o componenti aggiuntivi può costituire un rischio di lesioni alle persone. Utilizzare gli accessori o i componenti aggiuntivi solo per il loro scopo prefissato.

Per ottenere ulteriori dettagli relativamente a questi accessori, rivolgersi a un centro di assistenza Makita.

Dimensione bulloni	Manicotto	Lunghezza
M16	Manicotto esterno	35 mm
	Manicotto interno	36 mm
M20	Manicotto esterno	37 mm
	Manicotto interno	38 mm
M22	Manicotto esterno	39 mm
	Manicotto interno	39 mm
M22	Manicotto esterno	85 mm
	Manicotto interno	85 mm
5/8"	Manicotto esterno	35 mm
	Manicotto interno	36 mm
3/4"	Manicotto esterno	37 mm
	Manicotto interno	38 mm
3/4"	Manicotto esterno	83 mm
	Manicotto interno	84 mm

- Batteria e caricabatterie originali Makita

**NOTA:** Alcuni articoli nell'elenco potrebbero essere inclusi nell'imballaggio dell'utensile come accessori standard. Tali articoli potrebbero variare da nazione a nazione.

## TECHNISCHE GEGEVENS

Model:	DWT310
Boutmaat	M16, M20, M22
Maximaal aandraaimoment	804 N•m
Nullasttoerental (RPM)	14 min <sup>-1</sup>
Totale lengte	296 mm
Nominale spanning	36 V gelijkstroom
Nettogewicht	6,5 - 7,1 kg

- In verband met ononderbroken research en ontwikkeling, behouden wij ons het recht voor de bovenstaande technische gegevens zonder voorafgaande kennisgeving te wijzigen.
- De technische gegevens van de accu kunnen van land tot land verschillen.
- Het gewicht kan verschillen afhankelijk van de hulpstukken, waaronder de accu. De lichtste en zwaarste combinatie, overeenkomstig de EPTA-procedure 01/2014, worden getoond in de tabel.

### Toepasselijke accu's en laders

Accu	BL1815N / BL1820 / BL1820B / BL1830 / BL1830B / BL1840 / BL1840B / BL1850 / BL1850B / BL1860B
Lader	DC18RC / DC18RD / DC18RE / DC18SD / DC18SE / DC18SF

- Sommige van de hierboven vermelde accu's en laders zijn mogelijk niet leverbaar afhankelijk van waar u woont.

**⚠ WAARSCHUWING:** Gebruik uitsluitend de accu's en laders die hierboven worden genoemd. Gebruik van enige andere accu of lader kan leiden tot letsel en/of brand.

### Gebruiksdoeleinden

Dit gereedschap is bedoeld voor het vastdraaien van momentbreekbouten met een hoge trekvastheid.

### Geluidsniveau

De typische, A-gewogen geluidsniveaus zijn gemeten volgens EN62841-2-2:

Geluidsdrukniveau ( $L_{pA}$ ): 83 dB (A)

Geluidsvermogeniveau ( $L_{WA}$ ): 94 dB (A)

Onzekerheid (K): 3 dB (A)

**OPMERKING:** De opgegeven geluidsemisiewaarde(n) is/zijn gemeten volgens een standaardtestmethode en kan/kunnen worden gebruikt om dit gereedschap te vergelijken met andere gereedschappen.

**OPMERKING:** De opgegeven geluidsemisiewaarde(n) kan/kunnen ook worden gebruikt voor een beoordeling vooraf van de blootstelling.

**⚠ WAARSCHUWING:** Draag gehoorbescherming.

**⚠ WAARSCHUWING:** De geluidsemisie tijdens het gebruik van het elektrisch gereedschap in de praktijk kan verschillen van de opgegeven waarde(n) afhankelijk van de manier waarop het gereedschap wordt gebruikt, met name van het soort werkstuk waarmee wordt gewerkt.

**⚠ WAARSCHUWING:** Zorg ervoor dat veiligheidsmaatregelen worden getroffen ter bescherming van de gebruiker die zijn gebaseerd op een schatting van de blootstelling onder praktijkomstandigheden (rekening houdend met alle fasen van de bedrijfscyclus, zoals de tijdsduur gedurende welke het gereedschap is uitgeschakeld en stationair draait, naast de ingeschakelde tijdsduur).

### Trilling

De totale trillingswaarde (triaxiale vectorsom) zoals vastgesteld volgens EN62841-2-2:

Gebruikstoepassing: schroeven aandraaien zonder slagwerking

Trillingsemisie ( $a_{h,r}$ ): 2,5 m/s<sup>2</sup> of lager

Onzekerheid (K): 1,5 m/s<sup>2</sup>

**OPMERKING:** De totale trillingswaarde(n) is/zijn gemeten volgens een standaardtestmethode en kan/kunnen worden gebruikt om dit gereedschap te vergelijken met andere gereedschappen.

**OPMERKING:** De opgegeven totale trillingswaarde(n) kan/kunnen ook worden gebruikt voor een beoordeling vooraf van de blootstelling.

**⚠️ WAARSCHUWING:** De trillingsemisatie tijdens het gebruik van het elektrisch gereedschap in de praktijk kan verschillen van de opgegeven waarde(n) afhankelijk van de manier waarop het gereedschap wordt gebruikt, met name van het soort werkstuk waarmee wordt gewerkt.

**⚠️ WAARSCHUWING:** Zorg ervoor dat veiligheidsmaatregelen worden getroffen ter bescherming van de gebruiker die zijn gebaseerd op een schatting van de blootstelling onder praktijkomstandigheden (rekening houdend met alle fasen van de bedrijfscyclus, zoals de tijdsduur gedurende welke het gereedschap is uitgeschakeld en stationair draait, naast de ingeschakelde tijdsduur).

## EG-verklaring van conformiteit

### Aleen voor Europese landen

De EG-verklaring van conformiteit is bijgevoegd als Bijlage A bij deze gebruiksaanwijzing.

## VEILIGHEIDSWAARSCHUWINGEN

### Algemene veiligheidswaarschuwingen voor elektrisch gereedschap

**⚠️ WAARSCHUWING:** Lees alle veiligheidswaarschuwingen, aanwijzingen, afbeeldingen en technische gegevens behorend bij dit elektrische gereedschap aandachtig door. Als u niet alle onderstaande aanwijzingen naleeft, kan dat resulteren in brand, elektrische schokken en/of ernstig letsel.

### Bewaar alle waarschuwingen en instructies om in de toekomst te kunnen raadplegen.

De term "elektrisch gereedschap" in de veiligheidsvoorschriften duidt op gereedschappen die op stroom van het lichtnet werken (met snoer) of gereedschappen met een accu (snoerloos).

### Veiligheidswaarschuwingen voor een accubreeksleutel

1. Houd het elektrische gereedschap vast aan de geïsoleerde grijpvlakken wanneer u een handeling uitvoert waarbij de bevestiging in aanraking kan komen met verborgen bedrading. Wanneer bevestigingen in aanraking komen met bedrading onder spanning, kunnen blootliggende metalen onderdelen van het elektrische gereedschap onder spanning komen te staan en kan de gebruiker een elektrische schok krijgen.
2. Voordat u het elektrische gereedschap gebruikt, dient u te controleren of de buitenste bus soepel met de hand te draaien is. Wanneer deze niet soepel draait, mag u het gereedschap in geen geval gebruiken en dient u erkend Makita servicecentrum te vragen om controle en reparatie.

3. Wanneer een afgebroken boutpunt valt zonder dat u aan de uitwerphendel trekt, mag u het gereedschap in geen geval gebruiken en dient u erkend Makita servicecentrum te vragen om controle en reparatie.
4. Zorg altijd dat u stevig staat en goed in evenwicht bent. Zorg dat er niemand onder u staat wanneer u het gereedschap op hoge of verhoogde locaties gebruikt.
5. Houd het gereedschap stevig vast.
6. Ga voorzichtig en verstandig te werk wanneer u afgebroken boutpunten verwijdert. Wanneer u punten van hoge locaties laat vallen of wanneer er punten verspreid over de grond liggen, kan dit ernstig letsel veroorzaken.
7. Bevestig op hoge locaties het gereedschap niet aan uw kleding of veiligheidsstuijg.

**⚠️ WAARSCHUWING:** Laat u NIET misleiden door een vals gevoel van comfort en bekendheid met het gereedschap (na veelvuldig gebruik) en neem alle veiligheidsvoorschriften van het betreffende gereedschap altijd strikt in acht. VERKEERD GEBRUIK of het niet naleven van de veiligheidsvoorschriften in deze gebruiksaanwijzing kan leiden tot ernstig letsel.

### Belangrijke veiligheidsinstructies voor een accu

1. Lees alle voorschriften en waarschuwingen op (1) de acculader, (2) de accu, en (3) het product waarvoor de accu wordt gebruikt, alvorens de accu in gebruik te nemen.
2. Neem de accu niet uit elkaar.
3. Als de gebruikstijd van een opgeladen accu aanzienlijk korter is geworden, moet u het gebruik ervan onmiddellijk stopzetten. Voortgezet gebruik kan oververhitting, brandwonden en zelfs een ontploffing veroorzaken.
4. Als elektrolyt in uw ogen is terechtgekomen, spoelt u uw ogen met schoon water en roept u onmiddellijk de hulp van een dokter in. Elektrolyt in de ogen kan blindheid veroorzaken.
5. Voorkom kortsluiting van de accu:
  - (1) Raak de acculemmen nooit aan met een geleidend materiaal.
  - (2) Bewaar de accu niet in een bak waarin andere metalen voorwerpen zoals spijkers, munten e.d. worden bewaard.
  - (3) Stel de accu niet bloot aan water of regen. Kortsluiting van de accu kan oorzaak zijn van een grote stroomafgifte, oververhitting, brandwonden, en zelfs defecten.
6. Bewaar het gereedschap en de accu niet op plaatsen waar de temperatuur kan oplopen tot 50°C of hoger.
7. Werp de accu nooit in het vuur, ook niet wanneer hij zwaar beschadigd of volledig versleten is. De accu kan ontploffen in het vuur.
8. Wees voorzichtig dat u de accu niet laat vallen en hem niet blootstelt aan schokken of stoten.
9. Gebruik nooit een beschadigde accu.

10. **De bijgeleverde lithium-ionbatterijen zijn onderhevig aan de vereisten in de wetgeving omtrent gevaarlijke stoffen.**  
Voor commercieel transport en dergelijke door derden en transporteurs moeten speciale vereisten ten aanzien van verpakking en etikettering worden nageleefd.  
Als voorbereiding van het artikel dat wordt getransporteerd is het noodzakelijk een expert op het gebied van gevaarlijke stoffen te raadplegen. Houd u tevens aan mogelijk strengere nationale regelgeving.  
Blootliggende contactpunten moeten worden afgedekt met tape en de accu moet zodanig worden verpakt dat deze niet kan bewegen in de verpakking.
11. **Wanneer u de accu wilt weggooien, verwijdert u de accu vanaf het gereedschap en gooit u hem op een veilige manier weg. Volg bij het weggooien van de accu de plaatselijke voorschriften.**
12. **Gebruik de accu's uitsluitend met de gereedschappen die door Makita zijn aanbevolen.** Als de accu's worden aangebracht in niet-compatibele gereedschappen, kan dat leiden tot brand, buitensporige warmteontwikkeling, een explosie of lekkage van elektrolyt.
13. **Als u het gereedschap gedurende een lange tijd niet denkt te gaan gebruiken, moet de accu vanaf het gereedschap worden verwijderd.**

## BEWAAR DEZE INSTRUCTIES.

**⚠ LET OP:** Gebruik uitsluitend originele Makita accu's. Het gebruik van niet-originele accu's, of accu's die zijn gewijzigd, kan ertoe leiden dat de accu ontploft en brand, persoonlijk letsel en schade veroorzaakt. Ook vervalt daarmee de garantie van Makita op het gereedschap en de lader van Makita.

## Tips voor een maximale levensduur van de accu

1. **Laad de accu op voordat hij volledig ontladen is. Stop het gebruik van het gereedschap en laad de accu op telkens wanneer u vaststelt dat het vermogen van het gereedschap is afgenomen.**
2. **Laad een volledig opgeladen accu nooit opnieuw op. Te lang opladen verkort de levensduur van de accu.**
3. **Laad de accu op bij een omgevingstemperatuur tussen 10°C en 40°C. Laat een warme accu afkoelen alvorens hem op te laden.**
4. **Laad de accu op als u deze gedurende een lange tijd (meer dan zes maanden) niet gaat gebruiken.**

## BESCHRIJVING VAN DE FUNCTIES

**⚠ LET OP:** Zorg altijd dat het gereedschap is uitgeschakeld en de accu ervan is verwijderd alvorens de functies op het gereedschap af te stellen of te controleren.

### De accu aanbrengen en verwijderen

**⚠ LET OP:** Schakel het gereedschap altijd uit voordat u de accu aanbrengt of verwijdert.

**⚠ LET OP:** Houd het gereedschap en de accu stevig vast tijdens het aanbrengen of verwijderen van de accu. Als u het gereedschap en de accu niet stevig vasthoudt, kunnen deze uit uw handen glijpen en het gereedschap of de accu beschadigen, of kan persoonlijk letsel worden veroorzaakt.

► Fig.1: 1. Rood deel 2. Knop 3. Accu

Om de accu te verwijderen verschuift u de knop aan de voorkant van de accu en schuift u tegelijkertijd de accu uit het gereedschap.

Om de accu aan te brengen lijnt u de lip op de accu uit met de groef in de behuizing en duwt u de accu op zijn plaats. Steek de accu zo ver mogelijk in het gereedschap tot u een klikgeluid hoort. Als u het rode deel aan de bovenkant van de knop kunt zien, is de accu niet goed aangebracht.

**⚠ LET OP:** Breng de accu altijd helemaal aan totdat het rode deel niet meer zichtbaar is. Als u dit niet doet, kan de accu per ongeluk uit het gereedschap vallen en u of anderen in uw omgeving verwonden.

**⚠ LET OP:** Breng de accu niet met kracht aan. Als de accu niet gemakkelijk in het gereedschap kan worden geschoven, wordt deze niet goed aangebracht.

### De resterende acculading controleren

**Alleen voor accu's met indicatorlampjes**

► Fig.2: 1. Indicatorlampjes 2. Testknop

Druk op de testknop op de accu om de resterende acculading te zien. De indicatorlampjes branden gedurende enkele seconden.

Indicatorlampjes			Resterende acculading
Brandt	Uit	Knippert	
■	□	▤	75% tot 100%
■	■	□	50% tot 75%
■	□	□	25% tot 50%
■	□	□	0% tot 25%
▤	□	□	Laad de accu op.
■	■	□	Er kan een storing zijn opgetreden in de accu.
□	□	■	

**OPMERKING:** Afhankelijk van de gebruiksomstandigheden en de omgevingstemperatuur, is het mogelijk dat de aangegeven acculading verschilt van de werkelijke acculading.

## Gereedschap-/accubeveiligingssysteem

Het gereedschap is voorzien van een gereedschap-/accubeveiligingssysteem. Dit systeem schakelt automatisch de voeding naar de motor uit om de levensduur van het gereedschap en de accu te verlengen. Het gereedschap kan tijdens het gebruik automatisch stoppen als het gereedschap of de accu aan één van de volgende omstandigheden wordt blootgesteld:

### Overbelastingsbeveiliging

Wanneer het gereedschap of de accu wordt gebruikt op een wijze die ertoe leidt dat er een abnormaal sterke stroom wordt onttrokken, stopt het gereedschap automatisch zonder indicatie. Schakel in dit geval het gereedschap uit en stop de toepassing die ertoe geleid heeft dat het gereedschap overbelast is geraakt. Schakel vervolgens het gereedschap in om het opnieuw op te starten.

### Oververhittingsbeveiliging

Wanneer het gereedschap of de accu oververhit raakt, stopt het gereedschap automatisch. Laat in dit geval het gereedschap en de accu afkoelen voordat u het gereedschap weer inschakelt.

### Beveiliging tegen te ver ontladen

Als de acculading onvoldoende is, stopt het gereedschap automatisch. In dit het geval verwijdert u de accu vanaf het gereedschap en laadt u de accu op.

## De trekkerschakelaar gebruiken

**⚠WAARSCHUWING:** Alvorens de accu in het gereedschap te plaatsen, moet u altijd controleren of de trekkerschakelaar goed werkt en bij het loslaten terugkeert naar de stand "OFF".

De trekkevergrendelknop is bedoeld om te voorkomen dat er per ongeluk aan de trekkerschakelaar wordt getrokken.

Druk op de trekkevergrendelknop op positie A en trek aan de trekkerschakelaar om het gereedschap te starten. Laat de trekkerschakelaar los om te stoppen. Druk na gebruik de trekkevergrendelknop in op positie B.

- **Fig.3:** 1. Trekkevergrendelknop  
2. Trekkerschakelaar

**OPMERKING:** Het gereedschap stopt automatisch wanneer u de trekkerschakelaar gedurende ongeveer 6 minuten ingeknepen houdt.

Wanneer u aan de uitwerphendel trekt, wordt de boutpunt uit het gereedschap geworpen.

- **Fig.4:** 1. Uitwerphendel

## Accuvoedingslampje

Wanneer de resterende acculading laag wordt, gaat het acculampje knipperen. Laad de accu op of vervang de accu door een volledig opgeladen accu. Wanneer de resterende acculading veel lager wordt, stopt het gereedschap en gaat het acculampje branden.

- **Fig.5:** 1. Accuvoedingslampje

## Haak

**⚠LET OP:** Zorg ervoor dat de schouderriem is bevestigd die als standaard accessoire bij het gereedschap werd geleverd. Gebruik de schouderriem om het gereedschap te dragen en gebruik nooit de haak voor andere doeleinden, bijvoorbeeld als valbeveiliging bij het werken op hoge locaties. Als de haak voor andere doeleinden wordt gebruikt, kan deze breken door buitensporige belasting en ernstig letsel veroorzaken voor de gebruiker en anderen in de buurt van of onder de gebruiker.

**⚠LET OP:** Wanneer u de schouderriem aan de haak bevestigt, let u erop dat deze stevig vastzit. Als deze niet goed vastzit, kan het gereedschap losraken en letsel veroorzaken.

**⚠LET OP:** Als u het gereedschap draagt aan de schouderriem, let u erop dat de schouderriem niet verstrikt raakt rond uw lichaam of voorwerpen, en dat het gereedschap niet tegen voorwerpen botst. Als u dit niet doet, kan dat leiden tot een ongeval.

**⚠LET OP:** Haal de schouderriem van de haak af voordat u het gereedschap bedient. Als u dit niet doet, kan u tijdens gebruik uw evenwicht verliezen en een ongeval veroorzaken.

- **Fig.6:** 1. Haak 2. Schouderriem

Bevestig de schouderriem, die als standaard accessoire bij het gereedschap werd geleverd, aan de haak voor het dragen van het gereedschap. Haal de schouderriem van de haak af voordat u het gereedschap bedient.

## MONTAGE

**⚠LET OP:** Zorg altijd dat het gereedschap is uitgeschakeld en de accu ervan is verwijderd alvorens enig werk aan het gereedschap uit te voeren.

### De buitenste en binnenste bus verwijderen

**⚠LET OP:** Zorg dat er geen vuil aan de binnenkant van het gereedschap komt wanneer u de buitenste en binnenste bus verwijdert of plaatst.

1. Maak de twee schroeven los terwijl u de buitenste bus vasthoudt. De buitenste en binnenste bus worden omhooggeduwd door de veren die in het gereedschap zijn ingebouwd.

- **Fig.7:** 1. Buitenste bus 2. Schroef

2. Druk de pen omlaag om de binnenste bus uit de buitenste bus te verwijderen.

► **Fig.8:** 1. Binnenste bus 2. Pen 3. Buitenste bus

**KENNISGEVING:** Laat de binnenste bus niet vallen terwijl u deze verwijdert.

**KENNISGEVING:** Verwijder het puntstaafje, de veer van het puntstaafje en de veer van de binnenste bus niet uit het gereedschap.

► **Fig.9:** 1. Puntstaafje 2. Veer van het puntstaafje 3. Veer van de binnenste bus

## De buitenste en binnenste bus plaatsen

Plaats de binnenste bus met de pen omhooggericht. Bevestig de buitenste bus stevig aan de binnenste bus terwijl u de pen van de binnenste bus indrukt.

► **Fig.10:** 1. Buitenste bus 2. Pen 3. Binnenste bus

Steek de buitenste en binnenste bus in het gereedschap terwijl u de binnenste bus rechtsom en linksom draait totdat de buitenste bus het gereedschap raakt. Draai de twee schroeven stevig vast.

► **Fig.11:** 1. Buitenste bus 2. Schroef

**KENNISGEVING:** Zorg dat er geen opening is tussen de buitenste bus en het gereedschap.

## BEDIENING

**⚠ LET OP:** Druk de accu altijd stevig aan totdat die op zijn plaats vastklikt. Wanneer het rode deel aan de bovenkant van de knop nog zichtbaar is, zit de accu er nog niet helemaal in. Schuif hem er helemaal in totdat het rode deel niet meer zichtbaar is. Als u dit nalaat, zou de accu uit het gereedschap kunnen vallen en uzelf of anderen kunnen verwonden.

**⚠ LET OP:** Zorg dat er geen boutpunten op de grond, vloer, looppaden enzovoort terecht komen om letsel als gevolg van struikelen of vallen te voorkomen.

1. Draai bouten van tevoren aan met een handsleutel.

2. Houd het gereedschap stevig vast en plaats de binnenste bus over de bout zodat de binnenste bus de boutpunt volledig bedekt.

► **Fig.12:** 1. Binnenste bus 2. Boutpunt

**KENNISGEVING:** Ga voorzichtig te werk bij het plaatsen van de bus op de boutpunt. Wanneer u de punt raakt, kan deze beschadigd raken zodat deze niet meer correct in de bus past.

3. Druk licht tegen het gereedschap totdat de buitenste bus de moer volledig vasthoudt. Als de buitenste bus de moer niet vasthoudt, draait u het gereedschap rechtsom of linksom terwijl u licht tegen het gereedschap drukt.

4. Druk op de trekkervergrendelknop en trek dan aan de trekkerschakelaar. De buitenste bus draait om de moer aan te draaien.

► **Fig.13:** 1. Buitenste bus 2. Moer

**KENNISGEVING:** Forceer het gereedschap niet te veel omlaag. Pas de neerwaartse kracht toe voor zover nodig om het gereedschap te stabiliseren.

5. Wanneer het gespecificeerde aandraaimoment wordt bereikt, wordt de boutpunt afgebroken bij het gedeelte met de inkeping. De boutpunt blijft in de binnenste bus zitten.

► **Fig.14:** 1. Gedeelte met inkeping 2. Boutpunt

6. Laat de trekkerschakelaar los en trek het gereedschap in een rechte lijn terug.

► **Fig.15:** 1. Buitenste bus

7. Trek aan de uitwerphendel om de boutpunt uit het gereedschap te werpen. Vang de afgebroken boutpunten op om te voorkomen dat ze vallen.

► **Fig.16:** 1. Boutpunt

**KENNISGEVING:** De sluitring en de moer hebben beide een boven- en onderkant. De bovenkant van de moer is voorzien van een markering en de bovenkant van de sluitring van een afschuining. Let er bij het plaatsen op dat u deze niet verkeerd op plaatst.

► **Fig.17:** 1. Markering 2. Moer 3. Bout 4. Afschuining 5. Sluitring

**KENNISGEVING:** Vervang moer, bout en sluitring wanneer ze allemaal tegelijk draaien, wanneer de moer te veel draait of wanneer een bout te veel of te weinig uit het moeroppervlak steekt.

**KENNISGEVING:** U mag een gebruikte moer, bout of sluitring niet hergebruiken.

Het bereik voor de resterende lengte van bouten nadat de boutpunten zijn afgebroken, wordt bepaald door de boutmaat. Raadpleeg de onderstaande tabel en kies breekbouten op basis van de dikte van het werkstuk dat moet worden vastgezet.

Boutmaat	Maximaal resterende lengte	Minimaal resterende lengte
M16	20 mm	4,5 mm
M20	15 mm	5,5 mm
M22	14 mm	7 mm

► **Fig.18:** 1. Resterende lengte

**KENNISGEVING:** Gebruik bouten met de resterende lengte binnen het bereik dat in de bovenstaande tabel wordt weergegeven, aangezien bouten met verschillende maten verschillende maximum- en minimumwaarden voor resterende lengte hebben.

**KENNISGEVING:** Gebruik geen bouten die buiten het gespecificeerde bereik vallen, want hierdoor kan het gereedschap storingen vertonen.



## ONDERHOUD

**⚠ LET OP:** Zorg altijd dat het gereedschap is uitgeschakeld en de accu ervan is verwijderd alvorens te beginnen met onderhoud of inspectie.

**KENNISGEVING:** Gebruik nooit benzine, wasbenzine, thinner, alcohol en dergelijke. Hierdoor kunnen verkleuring, vervormingen en barsten worden veroorzaakt.

Om de VEILIGHEID en BETROUWBAARHEID van het gereedschap te handhaven, dienen alle reparaties, onderhoud of afstellingen te worden uitgevoerd bij een erkend Makita-servicecentrum of de Makita-fabriek, en altijd met gebruik van Makita-vervangingsonderdelen.

## Accubeschermbeguel

**⚠ WAARSCHUWING:** Verwijder de accubeschermbeguel niet. Gebruik het gereedschap niet terwijl de accubeschermbeguel verwijderd of beschadigd is. Rechtstreeks stoten tegen de accu's kan een accustoring veroorzaken en leiden tot letsel en/of brand. Als de accubeschermbeguel vervormd of beschadigd is, neemt u voor reparatie contact op met uw erkende servicecentrum.

**⚠ LET OP:** Bevestig geen riem aan de accubeschermbeguel voor het ophangen van het gereedschap.

**⚠ LET OP:** Bevestig de schouderriem niet aan de accubeschermbeguel.

► Fig.19: 1. Accubeschermbeguel 2. Klem voor accubeschermbeguel

## OPTIONELE ACCESSOIRES

**⚠ LET OP:** Deze accessoires of hulpstukken worden aanbevolen voor gebruik met het Makita gereedschap dat in deze gebruiksaanwijzing is beschreven. Bij gebruik van andere accessoires of hulpstukken bestaat het gevaar van persoonlijke letsel. Gebruik de accessoires of hulpstukken uitsluitend voor hun bestemde doel.

Wenst u meer bijzonderheden over deze accessoires, neem dan contact op met het plaatselijke Makita-servicecentrum.

Boutmaat	Bus	Lengte
M16	Buitenste bus	35 mm
	Binnenste bus	36 mm
M20	Buitenste bus	37 mm
	Binnenste bus	38 mm
M22	Buitenste bus	39 mm
	Binnenste bus	39 mm
M22	Buitenste bus	85 mm
	Binnenste bus	85 mm
5/8"	Buitenste bus	35 mm
	Binnenste bus	36 mm
3/4"	Buitenste bus	37 mm
	Binnenste bus	38 mm
3/4"	Buitenste bus	83 mm
	Binnenste bus	84 mm

• Originele Makita accu's en acculaders

**OPMERKING:** Sommige items op de lijst kunnen zijn inbegrepen in de doos van het gereedschap als standaard toebehoren. Deze kunnen van land tot land verschillen.

## ESPECIFICACIONES

Modelo:	DWT310
Tamaño de perno	M16, M20, M22
Par de apriete máximo	804 N•m
Velocidad sin carga (RPM)	14 min <sup>-1</sup>
Longitud total	296 mm
Tensión nominal	CC 36 V
Peso neto	6,5 - 7,1 kg

- Debido a nuestro continuado programa de investigación y desarrollo, las especificaciones aquí dadas están sujetas a cambios sin previo aviso.
- Las especificaciones y el cartucho de batería pueden diferir de país a país.
- El peso puede variar dependiendo del accesorio(s), incluyendo el cartucho de batería. La combinación menos pesada y la más pesada, de acuerdo con el procedimiento EPTA 01/2014, se muestran en la tabla.

### Cartucho de batería y cargador aplicables

Cartucho de batería	BL1815N / BL1820 / BL1820B / BL1830 / BL1830B / BL1840 / BL1840B / BL1850 / BL1850B / BL1860B
Cargador	DC18RC / DC18RD / DC18RE / DC18SD / DC18SE / DC18SF

- Algunos de los cartuchos de batería y cargadores indicados arriba puede que no estén disponibles dependiendo de su región de residencia.

**⚠ ADVERTENCIA:** Utilice solamente los cartuchos de batería y cargadores listados arriba. La utilización de cualquier otro cartucho de batería y cargador puede ocasionar heridas y/o un incendio.

### Uso previsto

La herramienta ha sido prevista para apretar pernos de gran resistencia a la tracción "tipo cizalla por torsión".

### Ruido

El nivel de ruido A-ponderado típico determinado de acuerdo con la norma EN62841-2-2:

Nivel de presión sonora ( $L_{pA}$ ) : 83 dB (A)

Nivel de potencia sonora ( $L_{WA}$ ) : 94 dB (A)

Error (K) : 3 dB (A)

**NOTA:** El valor (o los valores) de emisión de ruido declarado ha sido medido de acuerdo con un método de prueba estándar y se puede utilizar para comparar una herramienta con otra.

**NOTA:** El valor (o valores) de emisión de ruido declarado también se puede utilizar en una valoración preliminar de exposición.

**⚠ ADVERTENCIA:** Póngase protectores para oídos.

**⚠ ADVERTENCIA:** La emisión de ruido durante la utilización real de la herramienta eléctrica puede variar del valor (o los valores) de emisión declarado dependiendo de las formas en las que la herramienta sea utilizada, especialmente qué tipo de pieza de trabajo se procesa.

**⚠ ADVERTENCIA:** Asegúrese de identificar medidas de seguridad para proteger al operario que estén basadas en una estimación de la exposición en las condiciones reales de utilización (teniendo en cuenta todas las partes del ciclo operativo como las veces cuando la herramienta está apagada y cuando está funcionando en vacío además del tiempo de gatillo).

### Vibración

El valor total de la vibración (suma de vectores triaxiales) determinado de acuerdo con la norma EN62841-2-2:

Modo de trabajo: atornillado sin impacto

Emisión de vibración ( $a_h$ ) : 2,5 m/s<sup>2</sup> o menos

Error (K) : 1,5 m/s<sup>2</sup>

**NOTA:** El valor (o los valores) total de emisión de vibración declarado ha sido medido de acuerdo con un método de prueba estándar y se puede utilizar para comparar una herramienta con otra.

**NOTA:** El valor (o los valores) total de emisión de vibración declarado también se puede utilizar en una valoración preliminar de exposición.

**⚠️ ADVERTENCIA:** La emisión de vibración durante la utilización real de la herramienta eléctrica puede variar del valor (o los valores) de emisión declarado dependiendo de las formas en las que la herramienta sea utilizada, especialmente qué tipo de pieza de trabajo se procesa.

**⚠️ ADVERTENCIA:** Asegúrese de identificar medidas de seguridad para proteger al operario que estén basadas en una estimación de la exposición en las condiciones reales de utilización (teniendo en cuenta todas las partes del ciclo operativo como las veces cuando la herramienta está apagada y cuando está funcionando en vacío además del tiempo de gatillo).

## Declaración CE de conformidad

### Para países europeos solamente

La declaración CE de conformidad está incluida como Anexo A de esta manual de instrucciones.

## ADVERTENCIAS DE SEGURIDAD

### Advertencias de seguridad para herramientas eléctricas en general

**⚠️ ADVERTENCIA:** Lea todas las advertencias de seguridad, instrucciones, ilustraciones y especificaciones provistas con esta herramienta eléctrica. Si no sigue todas las instrucciones indicadas abajo podrá resultar en una descarga eléctrica, un incendio y/o heridas graves.

## Guarde todas las advertencias e instrucciones para futuras referencias.

El término "herramienta eléctrica" en las advertencias se refiere a su herramienta eléctrica de funcionamiento con conexión a la red eléctrica (con cable) o herramienta eléctrica de funcionamiento a batería (sin cable).

### Advertencias de seguridad para la llave degollante inalámbrica

1. Cuando realice una operación en la que el fijador pueda entrar en contacto con cableado oculto, sujete la herramienta eléctrica por las superficies de aislamiento aisladas. El contacto del fijador con un cable con corriente hará que la corriente circule por las partes metálicas expuestas de la herramienta eléctrica y podrá soltar una descarga eléctrica al operario.
2. Antes de utilizar la herramienta eléctrica, asegúrese de que el manguito exterior gira suavemente a mano. Cuando no gire suavemente, no lo utilice nunca y pida a un centro de servicio autorizado de Makita que lo comprueben y reparen.

3. Cuando la punta cizallada de perno se caiga sin haber apretado la palanca de eyección, no utilice nunca la herramienta y pida a un centro de servicio autorizado de Makita que la comprueben y reparen.
4. Asegúrese siempre de mantener buen equilibrio y pisar suelo firme. Asegúrese de que no haya nadie debajo cuando utilice la herramienta en lugares altos o elevados.
5. Sujete la herramienta firmemente.
6. Tenga cuidado y utilice el sentido común cuando desheche las puntas cizalladas de los pernos. Dejar caer las puntas desde lugares altos o dejarlas desparramadas puede ocasionar heridas graves.
7. No sujete la herramienta en su ropa o en el arnés de seguridad en lugares altos.

**⚠️ ADVERTENCIA:** NO deje que la comodidad o familiaridad con el producto (a base de utilizarlo repetidamente) sustituya la estricta observancia de las normas de seguridad para el producto en cuestión. El MAL USO o el no seguir las normas de seguridad establecidas en este manual de instrucciones podrá ocasionar heridas personales graves.

### Instrucciones de seguridad importantes para el cartucho de batería

1. Antes de utilizar el cartucho de batería, lea todas las instrucciones e indicaciones de precaución sobre (1) el cargador de baterías, (2) la batería, y (3) el producto con el que se utiliza la batería.
2. No desarme el cartucho de batería.
3. Si el tiempo de uso se acorta demasiado, cese la operación inmediatamente. Podría resultar en un riesgo de recalentamiento, posibles quemaduras e incluso una explosión.
4. Si entra electrolito en sus ojos, aclárelos con agua limpia y acuda a un médico inmediatamente. Existe el riesgo de poder perder la vista.
5. No cortocircuite el cartucho de batería:
  - (1) No toque los terminales con ningún material conductor.
  - (2) Evite guardar el cartucho de batería en un cajón junto con otros objetos metálicos, como clavos, monedas, etc.
  - (3) No exponga el cartucho de batería al agua ni a la lluvia.Un cortocircuito en la batería puede producir una gran circulación de corriente, un recalentamiento, posibles quemaduras e incluso una rotura de la misma.
6. No guarde la herramienta y el cartucho de batería en lugares donde la temperatura pueda alcanzar o exceder los 50 °C.
7. Nunca incinere el cartucho de batería incluso en el caso de que esté dañado seriamente o ya no sirva en absoluto. El cartucho de batería puede explotar si se tira al fuego.

8. **Tenga cuidado de no dejar caer ni golpear el cartucho de batería.**
9. **No utilice una batería dañada.**
10. **Las baterías de litio-ion contenidas están sujetas a los requisitos de la Legislación para Materiales Peligrosos.**

Para transportes comerciales, p.ej., por terceras personas y agentes de transportes, se deberán observar requisitos especiales para el empaquetado y etiquetado.

Para la preparación del artículo que se va a enviar, se requiere consultar con un experto en materiales peligrosos. Por favor, observe también la posibilidad de reglamentos nacionales más detallados.

Cubra con cinta aislante o enmascare los contactos expuestos y empaquete la batería de tal manera que no se pueda mover alrededor dentro del embalaje.

11. **Para desechar el cartucho de batería, retirelo de la herramienta y deséchelo en un lugar seguro. Siga los reglamentos locales referentes al desecho de la batería.**
12. **Utilice las baterías solamente con los productos especificados por Makita.** La instalación de las baterías en productos no compatibles puede resultar en un incendio, calor excesivo, explosión, o fuga de electrolito.
13. **Si la herramienta no va a ser utilizada durante un periodo de tiempo largo, la batería deberá ser retirada de la herramienta.**

## GUARDE ESTAS INSTRUCCIONES.

**⚠PRECAUCIÓN:** Utilice solamente baterías genuinas de Makita. La utilización de baterías no genuinas de Makita, o baterías que han sido alteradas, puede resultar en una explosión de la batería ocasionando incendios, heridas personales y daños. También anulará la garantía de Makita para la herramienta y el cargador de Makita.

## Consejos para alargar al máximo la vida de servicio de la batería

1. **Cargue el cartucho de batería antes de que se descargue completamente. Detenga siempre la operación y cargue el cartucho de batería cuando note menos potencia en la herramienta.**
2. **No cargue nunca un cartucho de batería que esté completamente cargado. La sobrecarga acortará la vida de servicio de la batería.**
3. **Cargue el cartucho de batería a temperatura ambiente de 10 °C - 40 °C. Si un cartucho de batería está caliente, déjelo enfriar antes de cargarlo.**
4. **Cargue el cartucho de batería si no lo utiliza durante un periodo de tiempo prolongado (más de seis meses).**

## DESCRIPCIÓN DEL FUNCIONAMIENTO

**⚠PRECAUCIÓN:** Asegúrese siempre de que la herramienta está apagada y el cartucho de batería retirado antes de realizar cualquier ajuste o comprobación en la herramienta.

## Instalación o extracción del cartucho de batería

**⚠PRECAUCIÓN:** Apague siempre la herramienta antes de instalar o retirar el cartucho de batería.

**⚠PRECAUCIÓN:** Sujete la herramienta y el cartucho de batería firmemente cuando instale o retire el cartucho de batería. Si no sujeta la herramienta y el cartucho de batería firmemente podrán caérsele de las manos y resultar en daños a la herramienta y al cartucho de batería y heridas personales.

► **Fig.1:** 1. Indicador rojo 2. Botón 3. Cartucho de batería

Para retirar el cartucho de batería, deslícelo de la herramienta mientras desliza el botón de la parte frontal del cartucho.

Para instalar el cartucho de batería, alinee la lengüeta del cartucho de batería con la ranura de la carcasa y deslícelo hasta que encaje en su sitio. Insértelo a tope hasta que se bloquee en su sitio produciendo un pequeño chasquido. Si puede ver el indicador rojo en el lado superior del botón, no estará bloqueado completamente.

**⚠PRECAUCIÓN:** Instale siempre el cartucho de batería completamente hasta que no pueda verse el indicador rojo. En caso contrario, podrá caerse accidentalmente de la herramienta y ocasionarle heridas a usted o a alguien que esté cerca de usted.

**⚠PRECAUCIÓN:** No instale el cartucho de batería empleando fuerza. Si el cartucho no se desliza al interior fácilmente, será porque no está siendo insertado correctamente.

## Modo de indicar la capacidad de batería restante

*Solamente para cartuchos de batería con el indicador*

► **Fig.2:** 1. Lámparas indicadoras 2. Botón de comprobación

Presione el botón de comprobación en el cartucho de batería para indicar la capacidad de batería restante. Las lámparas indicadoras se iluminan durante unos pocos segundos.

Lámparas indicadoras			Capacidad restante
Iluminada	Apagada	Parpadeando	
			75% a 100%
			50% a 75%
			25% a 50%
			0% a 25%
			Cargue la batería.
			Puede que la batería no esté funcionando bien.

**NOTA:** Dependiendo de las condiciones de utilización y de la temperatura ambiente, la indicación podrá variar ligeramente de la capacidad real.

## Sistema de protección de la herramienta / batería

La herramienta está equipada con un sistema de protección de la herramienta/batería. Este sistema corta automáticamente la alimentación al motor para alargar la vida de servicio de la herramienta y la batería. La herramienta se detendrá automáticamente durante la operación si la herramienta o la batería es puesta en una de las condiciones siguientes:

### Protección contra sobrecarga

Cuando la herramienta o la batería sea operada de manera que le haga absorber una corriente anormalmente alta, la herramienta se detendrá automáticamente sin ninguna indicación. En esta situación, apague la herramienta y detenga la tarea que ocasiona la sobrecarga de la herramienta. Después encienda la herramienta para volver a empezar.

### Protección contra el recalentamiento

Cuando la herramienta o la batería se recalienta, la herramienta se detiene automáticamente. En este caso, deje que la herramienta y la batería se enfríen antes de encender la herramienta otra vez.

### Protección contra descarga excesiva

Cuando la capacidad de batería no es suficiente, la herramienta se detiene automáticamente. En este caso, retire la batería de la herramienta y cargue la batería.

## Accionamiento del interruptor

**⚠ ADVERTENCIA:** Antes de insertar el cartucho de batería en la herramienta, compruebe siempre para cerciorarse de que el gatillo interruptor se acciona debidamente y que vuelve a la posición "OFF" cuando lo suelta.

Para evitar que el gatillo interruptor pueda ser apretado accidentalmente, se ha provisto el botón de bloqueo del gatillo. Para poner en marcha la herramienta, presione hacia dentro el botón de bloqueo del gatillo desde el lado A y apriete el gatillo interruptor. Suelte el gatillo interruptor para parar. Después de utilizar, presione hacia dentro el botón de bloqueo del gatillo desde el lado B.

► **Fig.3:** 1. Botón de bloqueo del gatillo 2. Gatillo interruptor

**NOTA:** La herramienta se parará automáticamente si sigue apretando el gatillo interruptor durante unos 6 minutos.

Cuando apriete la palanca de eyección, la punta de perno se eyectará de la herramienta.

► **Fig.4:** 1. Palanca de eyección

## Lámpara de potencia de la batería

Cuando la capacidad de batería restante se vuelve baja, la lámpara de potencia de la batería parpadea. Cargue la batería o reemplácela con una completamente cargada. Cuando la capacidad de batería restante se vuelve aún más baja, la herramienta se para y la lámpara de potencia de la batería se ilumina.

► **Fig.5:** 1. Lámpara de potencia de la batería

## Gancho

**⚠ PRECAUCIÓN:** Asegúrese de colocar la correa de hombro incluida en la herramienta como accesorio estándar. Utilice la correa de hombro para transportar la herramienta, y no utilice nunca el gancho para otros propósitos tal como para prevención de caída en lugares altos. Si el gancho es utilizado para otros propósitos, la carga excesiva podrá romperlo y ocasionar heridas graves al operario y a personas alrededor o debajo del operario.

**⚠ PRECAUCIÓN:** Cuando coloque la correa de hombro en el gancho, asegúrese de colocarla firmemente. Si está sujeta de forma incompleta, la herramienta podrá soltarse y ocasionar heridas.

**⚠ PRECAUCIÓN:** Cuando transporte la herramienta utilizando la correa de hombro, tenga cuidado de no enredar la correa de hombro con su cuerpo u otros objetos y no golpee los objetos con la herramienta. En caso contrario podrá ocasionar un accidente.

**⚠ PRECAUCIÓN:** Retire la correa de hombro del gancho antes de utilizar la herramienta. En caso contrario podrá hacerle perder el equilibrio durante la operación y ocasionar un accidente.

► **Fig.6:** 1. Gancho 2. Correa de hombro

Coloque la correa de hombro incluida en la herramienta como accesorio estándar en el gancho para transporte de la herramienta. Retire la correa de hombro del gancho antes de utilizar la herramienta.

## MONTAJE

**⚠PRECAUCIÓN:** Asegúrese siempre de que la herramienta está apagada y el cartucho de batería retirado antes de realizar cualquier trabajo en la herramienta.

### Desmontaje de los manguitos exterior e interior

**⚠PRECAUCIÓN:** Tenga cuidado de no dejar que entre materia extraña al interior de la herramienta cuando retire o instale los manguitos exterior e interior.

1. Afloje los dos tornillos mientras sujeta el manguito exterior. Los manguitos exterior e interior serán empujados hacia arriba por el resorte incorporado en la herramienta.

► Fig.7: 1. Manguito exterior 2. Tornillo

2. Presione hacia abajo el pasador para retirar el manguito interior del manguito exterior.

► Fig.8: 1. Manguito interior 2. Pasador 3. Manguito exterior

**AVISO:** Tenga cuidado de no dejar caer el manguito interior cuando lo retire.

**AVISO:** No retire la varilla de disparo, el resorte de la varilla de disparo, y el resorte del manguito interior de la herramienta.

► Fig.9: 1. Varilla de disparo 2. Resorte de la varilla de disparo 3. Resorte del manguito interior

### Instalación de los manguitos exterior e interior

Coloque el manguito interior con el pasador orientado hacia arriba. Sujete el manguito exterior en el manguito interior firmemente mientras presiona el pasador del manguito interior.

► Fig.10: 1. Manguito exterior 2. Pasador 3. Manguito interior

Inserte los manguitos exterior e interior en la herramienta mientras gira el manguito interior hacia la derecha y hacia la izquierda hasta que el manguito exterior toque la herramienta. Apriete los dos tornillos firmemente.

► Fig.11: 1. Manguito exterior 2. Tornillo

**AVISO:** Asegúrese de que no hay holgura entre el manguito exterior y la herramienta.

## OPERACIÓN

**⚠PRECAUCIÓN:** Inserte siempre el cartucho de batería a tope hasta que se bloquee en su sitio. Si puede ver el indicador rojo en el lado superior del botón, no estará bloqueado completamente. Insértelo completamente hasta que el indicador rojo no pueda verse. En caso contrario, podrá caerse accidentalmente de la herramienta y ocasionarle heridas a usted o a alguien que esté cerca de usted.

**⚠PRECAUCIÓN:** Mantenga las puntas de los pernos fuera del suelo, piso, aceras, etc., para evitar heridas por tropiezo o caída.

1. Apriete los pernos preliminarmente utilizando una llave de mano.

2. Sujete la herramienta firmemente y ponga el manguito interior sobre el perno de manera que el manguito interior cubra completamente la punta de perno.

► Fig.12: 1. Manguito interior 2. Punta de perno

**AVISO:** Tenga cuidado cuando encaje el manguito sobre la punta de perno. La punta podrá dañarse si se golpea y ya no encajará debidamente dentro del manguito.

3. Empuje la herramienta ligeramente hasta que el manguito exterior sujete la tuerca completamente. Si el manguito exterior no sujeta la tuerca, gire la herramienta hacia la derecha o hacia la izquierda mientras empuja la herramienta ligeramente.

4. Presione el botón de bloqueo del gatillo, y después apriete el gatillo interruptor. El manguito exterior gira para apretar la tuerca.

► Fig.13: 1. Manguito exterior 2. Tuerca

**AVISO:** No fuerce la herramienta hacia abajo excesivamente. Aplique la fuerza hacia abajo hasta el grado necesario para estabilizar la herramienta.

5. Cuando se obtenga el par de apriete especificado, la punta de perno será cizallada por su porción mellada. La punta de perno permanecerá dentro del manguito interior.

► Fig.14: 1. Porción mellada 2. Punta de perno

6. Libere el gatillo interruptor y retire la herramienta en línea recta.

► Fig.15: 1. Manguito exterior

7. Apriete la palanca de eyección para eyectar la punta de perno de la herramienta. Coja las puntas cizalladas de los pernos para evitar que se caigan.

► Fig.16: 1. Punta de perno

**AVISO:** La arandela y la tuerca tienen cabeza y cola. La cabeza tiene una marca de identificación para tuerca y un chafán para arandela. Cuando las coloque, tenga cuidado de no colocarlas al revés.

► Fig.17: 1. Marca de identificación 2. Tuerca 3. Perno 4. Chafán 5. Arandela

**AVISO:** Reemplace la tuerca, el perno y la arandela todos juntos al mismo tiempo cuando giren juntos, cuando la tuerca gire excesivamente o cuando un perno sobresalga demasiado o menos de la superficie de la tuerca.

**AVISO:** No vuelva a utilizar la tuerca, el perno y la arandela usados.

El rango de la longitud restante de los pernos después de cortar las puntas de los pernos está determinado por el tamaño de los pernos. Consulte la tabla de abajo y elija los pernos de cizalla de acuerdo con el grosor de la pieza de trabajo que se va a sujetar.

Tamaño de perno	Longitud restante máxima	Longitud restante mínima
M16	20 mm	4,5 mm
M20	15 mm	5,5 mm
M22	14 mm	7 mm

► Fig.18: 1. Longitud restante

**AVISO:** Utilice pernos con la longitud restante dentro del rango mostrado en la tabla de arriba porque pernos con tamaño diferente tienen longitudes restantes máxima y mínima diferentes.

**AVISO:** Tenga cuidado de no utilizar pernos de rango fuera del especificado ya que pueden ocasionar un mal funcionamiento de la herramienta.

## MANTENIMIENTO

**PRECAUCIÓN:** Asegúrese siempre de que la herramienta está apagada y de que el cartucho de batería está retirado antes de intentar hacer una inspección o mantenimiento.

**AVISO:** No utilice nunca gasolina, bencina, disolvente, alcohol o similares. Podría producir descoloración, deformación o grietas.

Para mantener la SEGURIDAD y FIABILIDAD del producto, las reparaciones, y cualquier otra tarea de mantenimiento o ajuste deberán ser realizadas en centros de servicio o de fábrica autorizados por Makita, empleando siempre repuestos Makita.

### Protector de batería

**ADVERTENCIA:** No retire el protector de batería. No utilice la herramienta con el protector de batería retirado o dañado. Un impacto directo al cartucho de batería puede ocasionar un mal funcionamiento de la batería y resultar en heridas y/o incendio. Si el protector de batería se deforma o daña, póngase en contacto con el centro de servicio autorizado para hacer reparaciones.

**PRECAUCIÓN:** No sujete una correa en el protector de batería para colgar la herramienta.

**PRECAUCIÓN:** No sujete la correa de hombro en el protector de batería.

► Fig.19: 1. Protector de batería 2. Soporte del protector de batería

## ACCESORIOS OPCIONALES

**PRECAUCIÓN:** Estos accesorios o aditamentos están recomendados para su uso con la herramienta Makita especificada en este manual. El uso de cualquier otro accesorio o aditamento puede suponer un riesgo de heridas personales. Utilice el accesorio o aditamento solamente con la finalidad indicada para el mismo.

Si necesita cualquier ayuda para más detalles en relación con estos accesorios, pregunte al centro de servicio Makita local.

Tamaño de perno	Manguito	Longitud
M16	Manguito exterior	35 mm
	Manguito interior	36 mm
M20	Manguito exterior	37 mm
	Manguito interior	38 mm
M22	Manguito exterior	39 mm
	Manguito interior	39 mm
M22	Manguito exterior	85 mm
	Manguito interior	85 mm
5/8"	Manguito exterior	35 mm
	Manguito interior	36 mm
3/4"	Manguito exterior	37 mm
	Manguito interior	38 mm
3/4"	Manguito exterior	83 mm
	Manguito interior	84 mm

- Batería y cargador genuinos de Makita

**NOTA:** Algunos elementos de la lista podrán estar incluidos en el paquete de la herramienta como accesorios estándar. Pueden variar de un país a otro.

## ESPECIFICAÇÕES

Modelo:	DWT310
Tamanho do perno	M16, M20, M22
Binário máximo	804 N•m
Velocidade em vazio (RPM)	14 min <sup>-1</sup>
Comprimento total	296 mm
Voltagem nominal	CC 36 V
Peso líquido	6,5 - 7,1 kg

- Devido a um programa contínuo de pesquisa e desenvolvimento, estas especificações estão sujeitas a alteração sem aviso prévio.
- As especificações e a bateria podem variar de país para país.
- O peso poderá diferir em função do acessório(s), incluindo a bateria. A combinação mais leve e mais pesada, de acordo com o Procedimento EPTA 01/2014, é apresentada na tabela.

### Bateria e carregador aplicável

Bateria	BL1815N / BL1820 / BL1820B / BL1830 / BL1830B / BL1840 / BL1840B / BL1850 / BL1850B / BL1860B
Carregador	DC18RC / DC18RD / DC18RE / DC18SD / DC18SE / DC18SF

- Algumas das baterias e carregadores listados acima poderão não estar disponíveis, dependendo da sua região de residência.

**⚠AVISO:** Utilize apenas as baterias e carregadores listados acima. A utilização de quaisquer outras baterias e carregadores pode causar ferimentos e/ou um incêndio.

### Utilização a que se destina

A ferramenta foi concebida para apertar pernos de alta resistência tipo "ciscalha TOR".

### Ruído

A característica do nível de ruído A determinado de acordo com a EN62841-2-2:

Nível de pressão acústica ( $L_{PA}$ ): 83 dB (A)

Nível de potência acústica ( $L_{WA}$ ): 94 dB (A)

Variabilidade (K): 3 dB (A)

**NOTA:** O(s) valor(es) da emissão de ruído indicado(s) foi medido de acordo com um método de teste padrão e pode ser utilizado para comparar duas ferramentas.

**NOTA:** O(s) valor(es) da emissão de ruído indicado(s) pode também ser utilizado na avaliação preliminar da exposição.

**⚠AVISO:** Utilize protetores auriculares.

**⚠AVISO:** A emissão de ruído durante a utilização real da ferramenta elétrica pode diferir do(s) valor(es) indicado(s), dependendo das formas como a ferramenta é utilizada, especialmente o tipo de peça de trabalho que é processada.

**⚠AVISO:** Certifique-se de identificar as medidas de segurança para proteção do operador que sejam baseadas em uma estimativa de exposição em condições reais de utilização (considerando todas as partes do ciclo de operação, tal como quando a ferramenta está desligada e quando está a funcionar em marcha lenta além do tempo de acionamento).

### Vibração

Valor total da vibração (soma vetorial tri-axial) determinado de acordo com a EN62841-2-2:

Modo de trabalho: aparafusamento sem impacto

Emissão de vibração ( $a_{hv}$ ): 2,5 m/s<sup>2</sup> ou menos

Variabilidade (K): 1,5 m/s<sup>2</sup>

**NOTA:** O(s) valor(es) total(ais) de vibração indicado(s) foi medido de acordo com um método de teste padrão e pode ser utilizado para comparar duas ferramentas.

**NOTA:** O(s) valor(es) total(ais) de vibração indicado(s) pode também ser utilizado na avaliação preliminar da exposição.

**⚠AVISO:** A emissão de vibração durante a utilização real da ferramenta elétrica pode diferir do(s) valor(es) indicado(s), dependendo das formas como a ferramenta é utilizada, especialmente o tipo de peça de trabalho que é processada.

**⚠AVISO:** Certifique-se de identificar as medidas de segurança para proteção do operador que sejam baseadas em uma estimativa de exposição em condições reais de utilização (considerando todas as partes do ciclo de operação, tal como quando a ferramenta está desligada e quando está a funcionar em marcha lenta além do tempo de acionamento).



## Declaração de conformidade da CE

### *Apenas para os países europeus*

A declaração de conformidade da CE está incluída como Anexo A neste manual de instruções.

## AVISOS DE SEGURANÇA

### Avisos gerais de segurança para ferramentas elétricas

**⚠️ AVISO:** Leia todos os avisos de segurança, instruções, ilustrações e especificações fornecidos com esta ferramenta elétrica. O não cumprimento de todas as instruções indicadas em baixo pode resultar em choque elétrico, incêndio e/ou ferimentos graves.

### Guarde todos os avisos e instruções para futuras referências.

O termo "ferramenta elétrica" nos avisos refere-se às ferramentas elétricas ligadas à corrente elétrica (com cabo) ou às ferramentas elétricas operadas por meio de bateria (sem cabo).

### Avisos de segurança da chave cisional a bateria

1. **Segure a ferramenta elétrica pelas superfícies das pegas isoladas, quando realizar uma operação em que o fixador pode entrar em contacto com cablagem oculta.** Os fixadores que entram em contacto com fios elétricos sob tensão podem fazer com que as partes metálicas expostas da ferramenta elétrica fiquem com tensão dando um choque elétrico ao operador.
2. **Antes de utilizar a ferramenta elétrica, certifique-se de que a manga externa roda suavemente à mão. Se não rodar suavemente, não a utilize e peça ao Centro de Assistência Autorizado da Makita para a verificar e reparar.**
3. **Quando a ponta do perno cisional cai sem puxar a patilha de ejeção, não utilize a ferramenta e peça ao Centro de Assistência Autorizado da Makita para a verificar e reparar.**
4. **Certifique-se sempre de que mantém um bom equilíbrio e uma postura firme. Certifique-se de que não se encontra ninguém por baixo quando utilizar a ferramenta em locais altos ou elevados.**
5. **Segure firmemente na ferramenta.**
6. **Tenha todo o cuidado e utilize o seu senso comum quando eliminar pontas do pernos cisionais.** Deixar cair as pontas de locais altos, ou as pontas dispersas, podem provocar ferimentos graves.
7. **Não prenda a ferramenta ao vestuário nem à cablagem de segurança em locais elevados.**

**⚠️ AVISO:** NÃO permita que conforto ou familiaridade com o produto (adquirido com o uso repetido) substitua a aderência estrita às regras de segurança da ferramenta. MÁ INTERPRETAÇÃO ou não seguimento das regras de segurança estabelecidas neste manual de instruções pode causar danos pessoais sérios.

## Instruções de segurança importantes para a bateria

1. **Antes de utilizar a bateria, leia todas as instruções e etiquetas de precaução no (1) carregador de bateria (2) bateria e (3) produto que utiliza a bateria.**
2. **Não abra a bateria.**
3. **Se o tempo de funcionamento se tornar excessivamente curto, pare o funcionamento imediatamente. Pode resultar em sobreaquecimento, possíveis queimaduras e mesmo explosão.**
4. **Se entrar eletrólito nos seus olhos, lave-os com água e consulte imediatamente um médico. Pode resultar em perda de visão.**
5. **Não coloque a bateria em curto-circuito:**
  - (1) **Não toque nos terminais com qualquer material condutor.**
  - (2) **Evite guardar a bateria juntamente com outros objetos metálicos tais como pregos, moedas, etc.**
  - (3) **Não exponha a bateria à água ou chuva. Um curto-circuito pode ocasionar um enorme fluxo de corrente, sobreaquecimento, possíveis queimaduras e mesmo estragar-se.**
6. **Não guarde a ferramenta e a bateria em locais onde a temperatura pode atingir ou exceder 50°C.**
7. **Não queime a bateria mesmo que esteja estragada ou completamente gasta. A bateria pode explodir no fogo.**
8. **Tenha cuidado para não deixar cair ou dar pancadas na bateria.**
9. **Não utilize uma bateria danificada.**
10. **As baterias de íões de lítio contidas na ferramenta são sujeitas aos requisitos da DGL (Dangerous Goods Legislation - Legislação de bens perigosos).** Para o transporte comercial, por exemplo, por terceiros ou agentes de expedição, têm de ser observados os requisitos referentes à embalagem e etiquetagem. Para preparação do artigo a ser expedido, é necessário consultar um perito em materiais perigosos. Tenha ainda em conta a possibilidade de existirem regulamentos nacionais mais detalhados. Coloque fita-cola ou tape os contactos abertos e embale a bateria de tal forma que não possa mover-se dentro da embalagem.
11. **Quando eliminar a bateria, remova-a da ferramenta e elimine-a num local seguro. Siga os regulamentos locais relacionados com a eliminação de baterias.**
12. **Utilize as baterias apenas com os produtos especificados pela Makita.** Instalar as baterias em produtos não-conformes poderá resultar num incêndio, calor excessivo, explosão ou fuga de eletrólito.
13. **Se a ferramenta não for utilizada durante um período de tempo prolongado, a bateria deve ser removida da ferramenta.**

## GUARDE ESTAS INSTRUÇÕES.

**⚠️ PRECAUÇÃO:** Utilize apenas baterias genuínas da Makita. A utilização de baterias não genuínas da Makita ou de baterias que foram alteradas, pode resultar no rebentamento da bateria provocando incêndios, ferimentos pessoais e danos. Além disso, anulará da garantia da Makita no que se refere à ferramenta e ao carregador Makita.

## Conselhos para manter a máxima vida útil da bateria

1. Carregue a bateria antes que esteja completamente descarregada. Pare sempre o funcionamento da ferramenta e carregue a bateria quando notar menos poder na ferramenta.
2. Nunca carregue uma bateria completamente carregada. Carregamento excessivo diminui a vida útil da bateria.
3. Carregue a bateria à temperatura ambiente de 10°C – 40°C. Deixe que uma bateria quente arrefeça antes de a carregar.
4. Carregue a bateria se não a utilizar durante um longo período de tempo (mais de seis meses).

## DESCRIÇÃO FUNCIONAL

**⚠️PRECAUÇÃO:** Certifique-se sempre de que a ferramenta está desligada e a bateria foi retirada antes de regular ou verificar qualquer função na ferramenta.

### Instalação ou remoção da bateria

**⚠️PRECAUÇÃO:** Desligue sempre a ferramenta antes de colocar ou retirar a bateria.

**⚠️PRECAUÇÃO:** Segure firmemente a ferramenta e a bateria quando instalar ou remover a bateria. Se não segurar firmemente a ferramenta e a bateria pode fazer com que escorreguem das suas mãos resultando em danos na ferramenta e na bateria e ferimentos pessoais.

► Fig.1: 1. Indicador vermelho 2. Botão 3. Bateria

Para retirar a bateria, deslize-a para fora da ferramenta enquanto desliza o botão na frente da bateria.

Para instalar a bateria, alinhe a lingueta da bateria com a ranhura no compartimento e deslize-a no lugar. Empurre-a até o fim para que a mesma encaixe no lugar com um clique. Se puder ver a parte vermelha no lado superior do botão, significa que não está completamente bloqueada.

**⚠️PRECAUÇÃO:** Instale sempre a bateria até ao fim, até deixar de ver o indicador vermelho. Caso contrário, a bateria poderá cair da ferramenta acidentalmente e provocar ferimentos em si mesmo ou em alguém próximo.

**⚠️PRECAUÇÃO:** Não instale a bateria à força. Se a bateria não deslizar facilmente é porque não foi colocada corretamente.

## Indicação da capacidade restante da bateria

**Apenas para baterias com indicador**

► Fig.2: 1. Luzes indicadoras 2. Botão de verificação

Prima o botão de verificação na bateria para indicar a capacidade restante da bateria. As luzes indicadoras acendem durante alguns segundos.

Luzes indicadoras			Capacidade restante
Aceso	Apagado	A piscar	
■	□	◐	75% a 100%
■	■	□	
■	■	□	
■	■	□	
■	■	□	50% a 75%
■	■	□	25% a 50%
■	□	□	0% a 25%
◐	□	□	Carregar a bateria.
■	■	□	A bateria pode estar avariada.
□	□	■	

**NOTA:** Dependendo das condições de utilização e da temperatura ambiente, a indicação pode ser ligeiramente diferente da capacidade real.

## Sistema de proteção da ferramenta/bateria

A ferramenta está equipada com um sistema de proteção da ferramenta/bateria. Este sistema corta automaticamente a corrente para o motor para aumentar a vida da ferramenta e da bateria. A ferramenta para automaticamente durante o funcionamento se a ferramenta ou bateria for colocada mediante uma das seguintes condições:

### Proteção contra sobrecarga

Quando a ferramenta ou a bateria é operada de tal forma que a faça retirar uma corrente anormalmente alta, a ferramenta para automaticamente sem qualquer indicação. Nesta situação, desligue a ferramenta e pare a aplicação que fez com que a ferramenta ficasse sobrecarregada. Depois, ligue a ferramenta para reiniciar.

### Proteção contra sobreaquecimento

Quando a ferramenta ou a bateria estiver sobreaquecida, a ferramenta para automaticamente. Nesta situação, deixe a ferramenta e a bateria arrefecerem antes de voltar a ligar a ferramenta.

### Proteção contra descarga excessiva

Quando a capacidade da bateria não é suficiente, a ferramenta para automaticamente. Neste caso, retire a bateria da ferramenta e carregue-a.

## Ação do interruptor

**⚠️ AVISO:** Antes de colocar a bateria na ferramenta, verifique sempre se o gatilho do interruptor funciona corretamente e volta para a posição “OFF” quando libertado.

Para evitar que o gatilho do interruptor seja puxado acidentalmente, a ferramenta tem um botão de bloqueio do gatilho.

Para iniciar a ferramenta, prima o botão de bloqueio do gatilho no lado A e puxe o gatilho do interruptor. Solte o gatilho do interruptor para parar. Após a utilização, prima o botão de bloqueio do gatilho no lado B.

► **Fig.3:** 1. Botão de bloqueio do gatilho 2. Gatilho do interruptor

**NOTA:** A ferramenta para automaticamente se contornar a puxar o gatilho durante cerca de 6 minutos.

Quando puxa a patilha de ejeção, a ponta do perno é ejetada da ferramenta.

► **Fig.4:** 1. Patilha de ejeção

## Luz de alimentação da bateria

Quando a capacidade restante da bateria fica baixa, a luz de carga da bateria pisca. Carregue a bateria ou substitua-a por uma completamente carregada. Quando a capacidade restante da bateria fica ainda mais baixa, a ferramenta deixa de funcionar e a luz de carga da bateria acende.

► **Fig.5:** 1. Luz de alimentação da bateria

## Gancho

**⚠️ PRECAUÇÃO:** Certifique-se de que fixa a faixa para o ombro incluída na ferramenta como acessório padrão. Utilize a faixa para o ombro para transportar a ferramenta e nunca utilize o gancho para outros fins, como prevenção contra quedas em locais elevados. Se o gancho for utilizado para outros fins, a carga excessiva pode parti-lo e provocar ferimentos graves ao operador e às pessoas em volta/por baixo do operador.

**⚠️ PRECAUÇÃO:** Se prender a faixa para o ombro no gancho, certifique-se de que a prende em segurança. Se não ficam completamente presa, a ferramenta pode soltar-se e provocar ferimentos.

**⚠️ PRECAUÇÃO:** Quando transportar a ferramenta por meio da faixa para o ombro, tenha cuidado para não enredar a faixa para o ombro no corpo ou nos objetos e para não bater em objetos com a ferramenta. O não cumprimento deste item pode provocar um acidente.

**⚠️ PRECAUÇÃO:** Retire a faixa para o ombro do gancho antes de utilizar a ferramenta. O não cumprimento deste item pode fazê-lo perder o equilíbrio durante o funcionamento e provocar um acidente.

► **Fig.6:** 1. Gancho 2. Faixa para o ombro

Certifique-se de que fixa a faixa para o ombro incluída na ferramenta como acessório padrão para o gancho, para transportar a ferramenta. Retire a faixa para o ombro do gancho antes de utilizar a ferramenta.

## MONTAGEM

**⚠️ PRECAUÇÃO:** Certifique-se sempre de que a ferramenta está desligada e a bateria retirada antes de executar qualquer trabalho na ferramenta.

## Remover as mangas externa e interna

**⚠️ PRECAUÇÃO:** Tenha cuidado para não permitir a entrada de matéria estranha no interior da ferramenta quando remover ou instalar as mangas externa e interna.

1. Desaperte os dois parafusos enquanto segura na manga externa. As mangas externa e interna serão empurradas para cima por meio das molas integradas na ferramenta.

► **Fig.7:** 1. Manga externa 2. Parafuso

2. Empurre o pino para baixo para remover a manga interna da manga externa.

► **Fig.8:** 1. Manga interna 2. Pino 3. Manga externa

**OBSERVAÇÃO:** Tenha cuidado para não deixar cair a manga interna quando a retirar.

**OBSERVAÇÃO:** Não remova a haste da ponta, a mola da haste da ponta e a mola da manga interna da ferramenta.

► **Fig.9:** 1. Haste da ponta 2. Mola da haste da ponta 3. Mola da manga interna

## Instalar as mangas externa e interna

Coloque a manga interna com o pino virado para cima. Prensada a manga externa à manga interna em segurança enquanto prime o pino da manga interna.

► **Fig.10:** 1. Manga externa 2. Pino 3. Manga interna

Insira as mangas externa e interna dentro da ferramenta enquanto roda a manga interna para a direita e para a esquerda até a manga externa tocar na ferramenta. Aperte firmemente os dois parafusos.

► **Fig.11:** 1. Manga externa 2. Parafuso

**OBSERVAÇÃO:** Certifique-se de que não há folgas entre a manga externa e a ferramenta.

## OPERAÇÃO

**⚠️ PRECAUÇÃO:** Insira sempre a bateria por completo até bloquear no lugar com um clique. Se conseguir ver o indicador vermelho no lado superior do botão, é porque não está bloqueada completamente. Introduza-a totalmente até o indicador vermelho não puder ser visto. Se isso não acontecer, a bateria pode cair acidentalmente da ferramenta, causando-lhe ferimentos a si ou alguém perto de si.

**⚠️ PRECAUÇÃO:** Mantenha as pontas do perno afastada do chão, do piso, dos passadiços, etc. para evitar ferimentos por tropeçar ou cair.

1. Aperte os pernos preliminarmente utilizando uma chave de mão.

2. Agarre na ferramenta firmemente e coloque a manga interna sobre o perno de forma que a manga interna tape completamente a ponta do perno.

► **Fig.12:** 1. Manga interna 2. Ponta do perno

**OBSERVAÇÃO:** Tenha cuidado quando encaixar a manga sobre a ponta do perno. Bater na ponta pode danificá-la o que pode fazer com que deixe de encaixar adequadamente dentro da manga.

3. Empurre a ferramenta ligeiramente até a manga externa prender completamente a porca. Se a manga externa não conseguir prender a porca, rode a ferramenta para a direita ou para a esquerda enquanto empurra ligeiramente a ferramenta.

4. Prima o botão de bloqueio do gatilho e, em seguida, puxe o gatilho do interruptor. A manga externa roda para apertar a porca.

► **Fig.13:** 1. Manga externa 2. Porca

**OBSERVAÇÃO:** Não force excessivamente a ferramenta para baixo. Aplique a força descendente até ao ponto necessário para estabilizar a ferramenta.

5. Quando se atinge o binário especificado, a ponta do perno é cisalhada na sua parte entalhada. A ponta do perno permanece dentro da manga interna.

► **Fig.14:** 1. Parte entalhada 2. Ponta do perno

6. Solte o gatilho do interruptor e retire a ferramenta numa linha reta.

► **Fig.15:** 1. Manga externa

7. Puxe a patilha de ejeção para ejetar a ponta do perno da ferramenta. Prenda as pontas do perno cisalhadas para impedir que caiam.

► **Fig.16:** 1. Ponta do perno

**OBSERVAÇÃO:** A anilha e a porca têm cabeça e cauda. A cabeça tem uma marca de identificação para a porca e o chanfro para a anilha. Quando as colocar, tenha cuidado para não as colocar ao contrário.

► **Fig.17:** 1. Marca de identificação 2. Porca 3. Perno 4. Chanfro 5. Anilha

**OBSERVAÇÃO:** Substitua a porca, o perno e a anilha em conjunto, de uma só vez, quando os três rodem em conjunto, quando a porca roda em excesso ou quando o perno fica mais ou menos saliente da superfície da porca.

**OBSERVAÇÃO:** Não reutilize uma porca, um perno e uma anilha usados.

O alcance do comprimento restante dos pernos depois de cortar as pontas do perno é determinado pelo tamanho do perno. Consulte a tabela em baixo e escolha os pernos de cisalha de acordo com a espessura da peça de trabalho a fixar.

Tamanho do perno	Comprimento máximo restante	Comprimento mínimo restante
M16	20 mm	4,5 mm
M20	15 mm	5,5 mm
M22	14 mm	7 mm

► **Fig.18:** 1. Comprimento restante

**OBSERVAÇÃO:** Utilize os pernos com o comprimento restante dentro do alcance apresentado na tabela acima uma vez que os pernos com tamanhos diferentes têm comprimentos restantes máximo e mínimo diferentes.

**OBSERVAÇÃO:** Tenha cuidado para não utilizar pernos com um alcance especificado superior ao indicado pois podem fazer com que a ferramenta avarie.

## MANUTENÇÃO

**PRECAUÇÃO:** Certifique-se sempre de que a ferramenta se encontra desligada e de que a bateria foi retirada antes de executar qualquer inspeção ou manutenção.

**OBSERVAÇÃO:** Nunca utilize gasolina, benzina, diluente, álcool ou produtos semelhantes. Pode ocorrer a descoloração, deformação ou rachaduras.

Para manter a SEGURANÇA e a FIABILIDADE do produto, as reparações e qualquer outra manutenção ou ajuste devem ser levados a cabo pelos centros de assistência Makita autorizados ou pelos centros de assistência de fábrica, utilizando sempre peças de substituição Makita.

## Resguardo da bateria

**AVISO:** Não remova o resguardo da bateria. Não utilize a ferramenta com o resguardo da bateria removido ou danificado. O impacto direto da bateria poderá causar o mau funcionamento da bateria e resultar em lesão e/ou incêndio. Se o resguardo da bateria estiver deformado ou danificado, contacte o seu centro de assistência autorizado para realizar reparações.

**PRECAUÇÃO:** Não prenda uma faixa ao resguardo da bateria para deixar a ferramenta pendurada.

**PRECAUÇÃO:** Não prenda a faixa para o ombro ao resguardo da bateria.

► **Fig.19:** 1. Resguardo da bateria 2. Suporte do resguardo da bateria

# ACESSÓRIOS OPCIONAIS

**⚠️ PRECAUÇÃO:** Estes acessórios ou peças são recomendados para utilização com a ferramenta Makita especificada neste manual. A utilização de outros acessórios ou peças pode ser perigosa para as pessoas. Utilize apenas acessórios ou peças para os fins indicados.

Se necessitar de informações adicionais relativas a estes acessórios, solicite-as ao seu centro de assistência Makita.

Tamanho do perno	Manga	Comprimento
M16	Manga externa	35 mm
	Manga interna	36 mm
M20	Manga externa	37 mm
	Manga interna	38 mm
M22	Manga externa	39 mm
	Manga interna	39 mm
M22	Manga externa	85 mm
	Manga interna	85 mm
5/8"	Manga externa	35 mm
	Manga interna	36 mm
3/4"	Manga externa	37 mm
	Manga interna	38 mm
3/4"	Manga externa	83 mm
	Manga interna	84 mm

- Bateria e carregador genuínos da Makita

**NOTA:** Alguns itens da lista podem estar incluídos na embalagem da ferramenta como acessórios padrão. Eles podem variar de país para país.

## SPECIFIKATIONER

Model:	DWT310
Boltstørrelse	M16, M20, M22
Maksimalt moment	804 N·m
Hastighed uden belastning (o/min.)	14 min <sup>-1</sup>
Længde i alt	296 mm
Mærkespænding	36 V DC
Nettovægt	6,5 - 7,1 kg

- På grund af vores kontinuerlige forsknings- og udviklingsprogrammer kan hosstående specifikationer blive ændret uden varsel.
- Specifikationer og akku kan variere fra land til land.
- Vægten kan være anderledes afhængigt af tilbehøret, inklusive akkuen. Den letteste og tungeste kombination i henhold til EPTA-procedure 01/2014 er vist i tabellen.

## Anvendelig akku og oplader

Akku	BL1815N / BL1820 / BL1820B / BL1830 / BL1830B / BL1840 / BL1840B / BL1850 / BL1850B / BL1860B
Oplader	DC18RC / DC18RD / DC18RE / DC18SD / DC18SE / DC18SF

- Nogle af de akkuer og opladere, der er angivet ovenfor, er muligvis ikke tilgængelige, afhængigt af hvilket område du bor i.

**⚠ ADVARSEL:** Brug kun de akkuer og opladere, der er angivet ovenfor. Brug af andre akkuer og opladere kan medføre personskaade og/eller brand.

## Tilsigtet anvendelse

Maskinen er beregnet til stramning af bolte af "spænd og vrid-typen" med stor brudstyrke.

## Lyd

Det typiske A-vægtede støjniveau bestemt i overensstemmelse med EN62841-2-2:  
 Lydtryksniveau ( $L_{pA}$ ): 83 dB (A)  
 Lydeffektniveau ( $L_{WA}$ ): 94 dB (A)  
 Usikkerhed (K): 3 dB (A)

**BEMÆRK:** De(n) angivne støjemissionsværdi(er) er målt i overensstemmelse med en standardtestmetode og kan anvendes til at sammenligne en maskine med en anden.

**BEMÆRK:** De(n) angivne støjemissionsværdi(er) kan også anvendes i en præliminær eksponeringsvurdering.

**⚠ ADVARSEL:** Bær høreværn.

**⚠ ADVARSEL:** Støjemissionen under den faktiske anvendelse af maskinen kan være forskellig fra de(n) angivne værdi(er), afhængigt af den måde hvorpå maskinen anvendes, især den type arbejdsemne der behandles.

**⚠ ADVARSEL:** Sørg for at identificere de sikkerhedsforskrifter til beskyttelse af operatøren, som er baseret på en vurdering af eksponering under de faktiske brugsforhold (med hensyntagen til alle dele i brugscyklussen, f.eks. de gange, hvor maskinen er slukket, og når den kører i tomgang i tilgift til afbrydertiden).

## Vibration

Vibrationens totalværdi (tre-aksial vektorsum) bestemt i overensstemmelse med EN62841-2-2:

Arbejdstilstand: skruning uden slag  
 Vibrationsemission ( $a_h$ ): 2,5 m/s<sup>2</sup> eller mindre  
 Usikkerhed (K): 1,5 m/s<sup>2</sup>

**BEMÆRK:** De(n) angivne totalværdi(er) for vibration er målt i overensstemmelse med en standardtestmetode og kan anvendes til at sammenligne en maskine med en anden.

**BEMÆRK:** De(n) angivne totalværdi(er) for vibration kan også anvendes i en præliminær eksponeringsvurdering.

**⚠ ADVARSEL:** Vibrationsemissionen under den faktiske anvendelse af maskinen kan være forskellig fra de(n) angivne værdi(er), afhængigt af den måde hvorpå maskinen anvendes, især den type arbejdsemne der behandles.

**⚠ ADVARSEL:** Sørg for at identificere de sikkerhedsforskrifter til beskyttelse af operatøren, som er baseret på en vurdering af eksponering under de faktiske brugsforhold (med hensyntagen til alle dele i brugscyklussen, f.eks. de gange, hvor maskinen er slukket, og når den kører i tomgang i tilgift til afbrydertiden).

## EU-overensstemmelseserklæring

### Kun for lande i Europa

EU-overensstemmelseserklæringen er inkluderet som Bilag A i denne brugsanvisning.

# SIKKERHEDSADVARSLER

## Almindelige sikkerhedsregler for el-værktøj

**⚠ ADVARSEL:** Læs alle de sikkerhedsadvarsler, instruktioner, illustrationer og specifikationer, der følger med denne maskine. Forsømmelse af at overholde alle nedenstående instruktioner kan medføre elektrisk stød, brand og/eller alvorlig personskade.

## Gem alle advarsler og instruktioner til fremtidig reference.

Ordet "el-værktøj" i advarslerne henviser til det netforsynede (netledning) el-værktøj eller batteriforsynede (akku) el-værktøj.

## Sikkerhedsadvarsler for akku vridnøgle

1. **Hold maskinen i de isolerede gribeplader, når der udføres et arbejde, hvor fastgørelsesmidlet kan komme i kontakt med skjulte ledninger.** Fastgørelsesmidler, der kommer i kontakt med en strømførende ledning, kan bevirke, at udsatte metaldele på maskinen bliver strømførende, hvorved operatøren kan få elektrisk stød.
2. **Før du bruger maskinen, skal du sikre dig, at den udvendige muffe nemt kan drejes i hånden. Brug den aldrig, hvis den ikke drejer nemt, og henvend dig til et autoriseret Makita servicecenter for kontrol og reparation.**
3. **Brug aldrig maskinen, hvis den afskårne boltspids falder af, uden at der trækkes i udløserhåndtaget, og henvend dig til et autoriseret Makita servicecenter for kontrol og reparation.**
4. **Sørg altid for at opretholde god balance og godt fodfæste. Sørg for, at der ikke er nogen under dig, når du bruger maskinen på højtliggende eller hævede steder.**
5. **Hold godt fast i maskinen.**
6. **Udvis omtanke og sund fornuft ved bortskaffelse af afskårne boltspidser.** Spidser, som falder fra højtliggende steder, eller spredte spidser kan forårsage alvorlig personskade.
7. **Fastgør ikke maskinen til dit tøj eller din sikkerhedssele på højtliggende steder.**

**⚠ ADVARSEL:** LAD IKKE bekvemmelighed eller kendskab til produktet (opnået gennem gentagen brug) forhindre, at sikkerhedsforskrifterne for produktet nøje overholdes. MISBRUG eller forsømmelse af at følge de i denne brugsvejledning givne sikkerhedsforskrifter kan føre til, at De kommer alvorligt til skade.

## Vigtige sikkerhedsinstruktioner for akkuen

1. **Læs alle instruktioner og advarselmærkater på (1) akku-opladeren, (2) akkuen og (3) produktet, som anvender akku.**
2. **Lad være med at skille akkuen ad.**
3. **Hold straks op med anvendelsen, hvis brugstiden er blevet stærkt afkortet. Forsat anvendelse kan resultere i risiko for overophedning, forbrændinger og endog eksplosion.**

4. **Hvis De har fået elektrolytvæske i øjnene, skal De straks skylle den ud med rent vand og derefter øjeblikkeligt søge lægehjælp. I modsat fald kan De miste synet.**
5. **Vær påpasselig med ikke at komme til at kortslutte akkuen:**
  - (1) **Rør ikke ved terminalerne med noget ledende materiale.**
  - (2) **Undgå at opbevare akkuen i en beholder sammen med andre genstande af metal, for eksempel søm, mønter og lignende.**
  - (3) **Udsæt ikke akkuen for vand eller regn.** Kortslutning af akkuen kan forårsage en kraftig øgning af strømmen, overophedning, mulige forbrændinger og endog værktøjstop.
6. **Opbevar ikke værktøjet og akkuen på et sted, hvor temperaturen kan nå eller overstige 50 °C.**
7. **Lad være med at brænde akkuen, selv ikke i tilfælde, hvor den har lidt alvorlig skade eller er fuldstændig udtjent.** Akkuen kan eksplodere, hvis man forsøger at brænde den.
8. **Lad være med at brænde akkuen eller udsætte den for stød.**
9. **Anvend ikke en beskadiget akku.**
10. **De indbyggede litium-ion-batterier er underlagt lovkrav vedrørende farligt gods.** Ved kommerciel transport, f.eks. af tredjeparts transportselskaber, skal særlige krav til forpakning og mærkning overholdes. Ved forberedelse af udstyret til forsendelse skal du kontakte en ekspert i farligt gods. Overhold også eventuel mere detaljeret national lovgivning. Tape eller tildæk åbne kontakter, og pak batteriet på en måde, så det ikke kan flytte sig rundt i pakningen.
11. **Når akkuen bortskaftes, skal du fjerne den fra maskinen og bortskaft den på et sikkert sted. Følg de lokale love vedrørende bortskaftelsen af batterier.**
12. **Brug kun batterierne med de produkter, som Makita specificerer.** Hvis batterierne installeres i ikke-kompatible produkter, kan det medføre brand, kraftig varme, eksplosion eller udsivning af elektrolyt.
13. **Hvis maskinen ikke skal bruges i længere tid ad gangen, skal du fjerne batteriet fra maskinen.**

## GEM DENNE BRUGSANVISNING.

**⚠ FORSIGTIG:** Brug kun originale batterier fra Makita. Brug af uoriginale Makita-batterier, eller batterier som er blevet ændret, kan muligvis medføre brud på batteriet, hvilket kan forårsage brand, personskade eller beskadigelse. Det ugyldiggør også Makita-garantien for Makita-maskinen og opladeren.

## Tips til opnåelse af maksimal akku-levetid

1. **Oplad akkuen, inden den er helt afladet. Stop altid værktøjet, og oplad akkuen, hvis De bemærker, at værktøjeffekten er aftagende.**
2. **Genoplad aldrig en fuldt opladet akku. Overopladning vil afkorte akkuens levetid.**
3. **Oplad akkuen ved stuetemperatur ved 10 °C - 40 °C. Lad altid en varm akku få tid til at køle af, inden den oplades.**
4. **Oplad akkuen, hvis De ikke skal bruge den i længere tid (mere end seks måneder).**

# FUNKTIONSBESKRIVELSE

**⚠️ FORSIGTIG:** Sørg altid for at maskinen er slukket, og at akkuen er taget ud, før der udføres justering eller kontrol af funktioner på maskinen.

## Isætning eller fjernelse af akkuen

**⚠️ FORSIGTIG:** Sluk altid for værktøjet, før De monterer eller fjerner akkuen.

**⚠️ FORSIGTIG:** Hold værktøjet og akkuen fast ved montering eller fjernelse af akkuen. Hvis De ikke holder værktøjet og akkuen fast, kan de glide ud af hænderne på Dem og forårsage beskadigelse af værktøjet og akkuen eller personskade.

► Fig.1: 1. Rød indikator 2. Knap 3. Akku

Akkuen fjernes ved, at De trækker den ud af værktøjet, idet De skyder knappen på forsiden af akkuen i stilling.

Akkuen monteres ved, at De sætter tungen på akkuen ud for noten i kabinettet og lader den glide på plads. Sæt den hele vejen ind, så den låses på plads med et lille klik. Hvis den røde indikator på oversiden af knappen er synlig, betyder det, at den ikke er tilstrækkeligt låst.

**⚠️ FORSIGTIG:** Monter altid akkuen helt, indtil den røde indikator ikke længere er synlig. Hvis dette ikke gøres, kan den falde ud af værktøjet ved et uheld, hvorved De selv eller personer i nærheden kan komme til skade.

**⚠️ FORSIGTIG:** Brug ikke magt ved montering af akkuen. Hvis akkuen ikke glider på plads uden problemer, betyder det, at den ikke sættes i på korrekt vis.

## Indikation af den resterende batteriladning

*Kun til akkuer med indikatoren*

► Fig.2: 1. Indikatorlamper 2. Kontrolknap

Tryk på kontrolknappen på akkuen for at få vist den resterende batteriladning. Indikatorlampen lyser i nogle sekunder.

Indikatorlamper			Resterende ladning
Tændt	Slukket	Blinker	
■	□	▬	75% til 100%
■ ■ ■ ■			
■ ■ ■ ■	□		50% til 75%
■ ■	□ □		25% til 50%
■	□ □ □		0% til 25%
▬	□ □ □ □		Genoplad batteriet.
■ ■ □ □	□ □	↑ ↓	Der er muligvis fejl i batteriet.
□ □ ■ ■			

**BEMÆRK:** Afhængigt af brugsforholdene og den omgivende temperatur kan indikationen afvige en smule fra den faktiske ladning.

## Beskyttelsessystem til værktøj/batteri

Maskinen er udstyret med et beskyttelsessystem til maskinen/batteriet. Dette system afbryder automatisk strømmen til motoren for at forlænge maskinens og batteriets levetid. Maskinen stopper automatisk under brugen, hvis maskinen eller batteriet udsættes for et af følgende forhold:

### Overbelastningsbeskyttelse

Hvis maskinen eller batteriet bruges på en måde, der får den/det til at trække en unormalt høj strøm, stopper maskinen automatisk uden indikation. Sluk i så fald for maskinen, og ophør med den anvendelse, som medførte, at maskinen blev overbelastet. Tænd derefter for maskinen for at starte den igen.

### Beskyttelse mod overophedning

Hvis maskinen eller batteriet bliver overophedet, stopper maskinen automatisk. Lad i så fald maskinen og batteriet køle ned, før der tændes for maskinen igen.

### Beskyttelse mod overafledning

Når batteriladningen er utilstrækkelig, stopper maskinen automatisk. Tag i så fald akkuen ud af maskinen, og oplad akkuen.

## Afbryderbetjening

**⚠️ ADVARSEL:** Inden akkuen sættes i maskinen, bør De altid kontrollere, at afbryderknappen fungerer korrekt, og returnerer til "OFF"-positionen, når den slippes.

Afbryderlaseknappen forhindrer, at der trykkes på afbryderknappen ved en fejltagelse.

Maskinen startes ved at trykke afbryderlaseknappen ind fra A-siden og trykke på afbryderknappen. Slip afbryderknappen for at stoppe. Tryk afbryderlaseknappen ind fra B-siden efter brug.

► Fig.3: 1. Afbryderlaseknap 2. Afbryderknap

**BEMÆRK:** Maskinen stopper automatisk, hvis De bliver ved med at trykke på afbryderknappen i cirka 6 minutter.

Når du trækker udløserhåndtaget, skubbes boltspidsen ud fra maskinen.

► Fig.4: 1. Udløserhåndtag

## Batteristrømlampe

Batteristrømlampen blinker, når den resterende batteriladning bliver lav. Oplad batteriet, eller udskift batteriet med et, der er ladet helt op. Maskinen stopper, og batteristrømlampen lyser, når den resterende batterikapacitet bliver meget lavere.

► Fig.5: 1. Batteristrømlampe



## Krog

**⚠FORSIGTIG:** Sørg for at fastgøre skulderselen, der følger med maskinen som standardtilbehør. Brug skulderselen til at bære maskinen, og brug aldrig krogen til andre formål, f.eks. til at forhindre fald fra et højtliggende sted. Hvis krogen bruges til andre formål, kan overdreven belastning få den til at gå i stykker og forårsage alvorlig personskade på operatøren og personer omkring/under operatøren.

**⚠FORSIGTIG:** Hvis du fastgør skulderselen til krogen, skal du sørge for at fastgøre den forsvarligt. Hvis den er ufuldstændigt fastgjort, kan maskinen gå løs og forårsage personskade.

**⚠FORSIGTIG:** Når du bærer maskinen ved hjælp af skulderselen, skal du passe på, at skulderselen ikke bliver viklet ind i din krop eller i genstande, og at du ikke rammer objekter med maskinen. Hvis du ikke gør dette, kan det medføre en ulykke.

**⚠FORSIGTIG:** Fjern skulderselen fra krogen, før maskinen anvendes. Hvis du ikke gør dette, kan du mindske balancen ved brugen og forårsage en ulykke.

► Fig.6: 1. Krog 2. Skuldersel

Fastgør skulderselen, der følger med maskinen som standardtilbehør, på krogen for at bære maskinen. Fjern skulderselen fra krogen, før maskinen anvendes.

## SAMLING

**⚠FORSIGTIG:** Sørg altid for at maskinen er slukket, og at akkuen er taget ud, før der udføres noget arbejde på maskinen.

## Fjernelse af de udvendige og indvendige muffer

**⚠FORSIGTIG:** Sørg omhyggeligt for, at der ikke kommer fremmedlegemer ind i maskinen, når du fjerner eller monterer de udvendige og indvendige muffer.

1. Løsn de to skruer, idet du holder fast i den udvendige muffe. De udvendige og indvendige muffer skubes opad af maskinens indbyggede fjedre.

► Fig.7: 1. Udvendig muffe 2. Skrue

2. Tryk stiften ned for at fjerne den indvendige muffe fra den udvendige muffe.

► Fig.8: 1. Indvendig muffe 2. Stift 3. Udvendig muffe

**BEMÆRKNING:** Pas på ikke at tabe den indvendige muffe, når den fjernes.

**BEMÆRKNING:** Undlad at fjerne spidsen, fjedren til spidsen og den indvendige muffefjeder fra maskinen.

► Fig.9: 1. Spids 2. Fjeder til spids 3. Indvendig muffefjeder

## Montering af de udvendige og indvendige muffer

Placer den indvendige muffe med stiften opad. Sæt den udvendige muffe fast på den indvendige muffe, idet der trykkes på stiften på den indvendige muffe.

► Fig.10: 1. Udvendig muffe 2. Stift 3. Indvendig muffe

Sæt de udvendige og indvendige muffer i maskinen, idet den indvendige muffe drejes med uret og mod uret, indtil den udvendige muffe berører maskinen. Stram de to skruer forsvarligt til.

► Fig.11: 1. Udvendig muffe 2. Skrue

**BEMÆRKNING:** Sørg for, at der ikke er mellemrum mellem den udvendige muffe og maskinen.

## ANVENDELSE

**⚠FORSIGTIG:** Sæt altid akkuen helt ind, indtil den låses på plads. Hvis du kan se den røde indikator på den øverste side af knappen, er den ikke helt låst. Sæt den helt ind, indtil den røde indikator ikke kan ses. I modsat fald kan den ved et uheld falde ud af maskinen og medføre personskade på dig eller personer i nærheden.

**⚠FORSIGTIG:** Undgå at lade boltspidserne ligge på jorden, gulvet, gangbroer osv. for at undgå personskader, hvis personer falder over dem.

1. Stram boltene foreløbigt vha. en håndskruenøgle.
2. Hold godt fast i maskinen, og sæt den indvendige muffe ned over boltene, så den indvendige muffe dækker boltspidsen helt.

► Fig.12: 1. Indvendig muffe 2. Boltspids

**BEMÆRKNING:** Vær forsigtig, når muffen sættes på boltspidsen. Hvis du rammer spidsen, kan den blive beskadiget, så den ikke længere passer korrekt ind i muffen.

3. Tryk let på maskinen, indtil den udvendige muffe holder møtrikken helt. Hvis den udvendige muffe ikke holder møtrikken, skal du dreje maskinen med eller mod uret, idet der trykkes let på maskinen.

4. Tryk på afbryderlåseknappen, og tryk derefter på afbryderknappen. Den udvendige muffe drejer for at tilspænde møtrikken.

► Fig.13: 1. Udvendig muffe 2. Møtrik

**BEMÆRKNING:** Undlad at presse maskinen nedad unødigt. Anvend nedadgående kraft i det omfang, der er nødvendigt for at stabilisere maskinen.

5. Når det angivne drejningsmoment nås, vrides boltspidsen af ved delen med hakket. Boltspidsen bliver siddende inde i den indvendige muffe.

► Fig.14: 1. Del med hak 2. Boltspids

6. Slip afbryderknappen, og træk maskinen af i en lige linje.

► **Fig.15:** 1. Udvendig muffe

7. Træk i udløserhåndaget for at skubbe boltspidsen ud af maskinen. Grib de afskærne boltspidser, så de ikke falder ned.

► **Fig.16:** 1. Boltspids

**BEMÆRKNING:** Spændeskiven og møtrikken har et hoved og en bagende. Hovedet har et identifikationsmærke for møtrikken og en skråfas for spændeskiven. Pas på ikke at placere dem omvendt, når du placerer dem.

► **Fig.17:** 1. Identifikationsmærke 2. Møtrik 3. Bolt 4. Skråfas 5. Spændeskive

**BEMÆRKNING:** Udskift både møtrikken, boltten og spændeskiven på én gang, når de roterer sammen, møtrikken roterer for meget, eller en bolt stikker for meget eller for lidt frem fra møtrikkens flade.

**BEMÆRKNING:** Genbrug ikke møtrikken, boltten og spændeskiven.

Området for den resterende længde af bolte efter bortskæring af boltspidserne bestemmes af boltstørrelsen. Se i tabellen nedenfor, og vælg vridebolte, der passer til tykkelsen af det arbejdsemne, der skal fastgøres.

Boltstørrelse	Maks. resterende længde	Min. resterende længde
M16	20 mm	4,5 mm
M20	15 mm	5,5 mm
M22	14 mm	7 mm

► **Fig.18:** 1. Resterende længde

**BEMÆRKNING:** Brug bolte med en resterende længde, der er inden for det område, som er vist i tabellen ovenfor, da bolte med en anden størrelse har en anden maks. og min. resterende længde.

**BEMÆRKNING:** Vær omhyggelig med ikke at bruge bolte uden for det angivne område, da det kan medføre funktionsfejl i maskinen.

## VEDLIGEHOLDELSE

**⚠FORSIGTIG:** Vær altid sikker på, at værktøjet er slukket, og at akkuen er taget ud, inden De begynder at udføre inspektion eller vedligeholdelse.

**BEMÆRKNING:** Anvend aldrig benzin, rensebenzin, fortynder, alkohol og lignende. Det kan medføre misfarvning, deformation eller revner.

For at opretholde produktets SIKKERHED og PÅLIDELIGHED må reparation, vedligeholdelse eller justering kun udføres af et autoriseret Makita servicecenter eller fabrikksservicecenter med anvendelse af Makita reservedele.

## Batteriskærm

**⚠ADVARSEL:** Undlad at fjerne batteriskærmen. Undlad at bruge maskinen, hvis batteriskærmen er fjernet eller beskadiget. Direkte slag mod akkuen kan medføre fejl i batteriet og forårsage personskade og/eller brand. Kontakt dit autoriserede servicecenter for reparation, hvis batteriskærmen er deformeret eller beskadiget.

**⚠FORSIGTIG:** Undlad at fastgøre en strop til batteriskærmen for ophængning af maskinen.

**⚠FORSIGTIG:** Undlad at fastgøre skulderselen til batteriskærmen.

► **Fig.19:** 1. Batteriskærm 2. Holder til batteriskærm

## EKSTRAUDSTYR

**⚠FORSIGTIG:** Det følgende tilbehør og ekstraudstyr er anbefalet til brug med Deres Makita maskine, der er beskrevet i denne brugsanvisning. Anvendelse af andet tilbehør eller ekstraudstyr kan udgøre en risiko for personskade. Anvend kun tilbehør og ekstraudstyr til det beskrevne formål.

Hvis De behøver hjælp ved valg af tilbehør eller ønsker yderligere informationer, bedes De kontakte Deres lokale Makita servicecenter.

Boltstørrelse	Muffe	Længde
M16	Udvendig muffe	35 mm
	Indvendig muffe	36 mm
M20	Udvendig muffe	37 mm
	Indvendig muffe	38 mm
M22	Udvendig muffe	39 mm
	Indvendig muffe	39 mm
M22	Udvendig muffe	85 mm
	Indvendig muffe	85 mm
5/8"	Udvendig muffe	35 mm
	Indvendig muffe	36 mm
3/4"	Udvendig muffe	37 mm
	Indvendig muffe	38 mm
3/4"	Udvendig muffe	83 mm
	Indvendig muffe	84 mm

• Original Makita-akku og oplader

**BEMÆRK:** Nogle ting på denne liste kan være inkluderet i værktøjsspakken som standardtilbehør. Det kan være forskellige fra land til land.

## ΠΡΟΔΙΑΓΡΑΦΕΣ

<b>Μοντέλο:</b>	<b>DWT310</b>
Μέγεθος μπουλονιών	M16, M20, M22
Μέγιστη ροπή	804 N•m
Ταχύτητα χωρίς φορτίο (σ.α.λ.)	14 min <sup>-1</sup>
Ολικό μήκος	296 mm
Ονομαστική τάση	D.C. 36 V
Καθαρό βάρος	6,5 - 7,1 kg

- Λόγω του συνεχιζόμενου προγράμματος έρευνας και ανάπτυξης, οι προδιαγραφές αυτές υπόκεινται σε αλλαγές χωρίς προειδοποίηση.
- Οι προδιαγραφές και η κασέτα μπαταριών μπορεί να διαφέρουν ανάλογα με τη χώρα.
- Το βάρος μπορεί να διαφέρει ανάλογα με τα προσαρτήματα, συμπεριλαμβάνοντας την κασέτα μπαταριών. Ο ελαφρύτερος και ο βαρύτερος συνδυασμός, σύμφωνα με τη διαδικασία ΕΡΤΑ 01/2014, παρουσιάζονται στον πίνακα.

## Ισχύουσα κασέτα μπαταριών και φορτιστής

Κασέτα μπαταρίας	BL1815N / BL1820 / BL1820B / BL1830 / BL1830B / BL1840 / BL1840B / BL1850 / BL1850B / BL1860B
Φορτιστής	DC18RC / DC18RD / DC18RE / DC18SD / DC18SE / DC18SF

- Ορισμένες από τις κασέτες και τους φορτιστές μπαταριών που αναγράφονται παραπάνω ίσως να μην είναι διαθέσιμοι, ανάλογα με την τοποθεσία κατοικίας σας.

**⚠ ΠΡΟΕΙΔΟΠΟΙΗΣΗ:** Να χρησιμοποιείτε μόνο τις κασέτες μπαταριών και τους φορτιστές που παρατίθενται ανωτέρω. Η χρήση οποιασδήποτε άλλης κασέτας μπαταριών ή φορτιστή μπορεί να προκαλέσει τραυματισμό ή/και πυρκαγιά.

## Προοριζόμενη χρήση

Το εργαλείο προορίζεται για τη στερέωση μπουλονιών υψηλού εφελκυσμού τύπου «tor-shear».

## Θόρυβος

Το τυπικό Α επίπεδο καταμετρημένου θορύβου καθορίζεται σύμφωνα με το EN62841-2-2:

Στάθμη ηχητικής πίεσης ( $L_{pA}$ ): 83 dB (A)

Στάθμη ηχητικής ισχύος ( $L_{WA}$ ): 94 dB (A)

Αβεβαιότητα (K): 3 dB (A)

**ΠΑΡΑΤΗΡΗΣΗ:** Η δηλωμένη τιμή(ές) εκπομπής θορύβου έχει μετρηθεί σύμφωνα με την πρότυπη μέθοδο δοκιμής και μπορεί να χρησιμοποιηθεί για τη σύγκριση ενός εργαλείου με κάποιο άλλο.

**ΠΑΡΑΤΗΡΗΣΗ:** Η δηλωμένη τιμή(ές) εκπομπής θορύβου μπορεί να χρησιμοποιηθεί και στην προκαταρκτική αξιολόγηση της έκθεσης.

**⚠ ΠΡΟΕΙΔΟΠΟΙΗΣΗ:** Να φοράτε γυαλιά ασφαλείας.

**⚠ ΠΡΟΕΙΔΟΠΟΙΗΣΗ:** Η εκπομπή θορύβου κατά τη χρήση του ηλεκτρικού εργαλείου σε πραγματικές συνθήκες μπορεί να διαφέρει από τη δηλωμένη τιμή(ές) ανάλογα με τους τρόπους χρήσης του εργαλείου, ιδιαίτερα το είδος του τεμαχίου εργασίας που υπόκειται επεξεργασία.

**⚠ ΠΡΟΕΙΔΟΠΟΙΗΣΗ:** Φροντίστε να λάβετε τα κατάλληλα μέτρα προστασίας του χειριστή βάσει ενός υπολογισμού της έκθεσης σε πραγματικές συνθήκες χρήσης (λαμβάνοντας υπόψη όλες τις συνιστώσες του κύκλου λειτουργίας όπως τους χρόνους που το εργαλείο είναι εκτός λειτουργίας και όταν βρίσκεται σε αδρανή λειτουργία πέραν του χρόνου ενεργοποίησης).

## Κραδασμός

Η ολική τιμή δόνησης (άθροισμα τρι-αξονικού διανύσματος) καθορίζεται σύμφωνα με το EN62841-2-2:

Είδος εργασίας: βίδωμα χωρίς κρούση

Εκπομπή δόνησης ( $a_h$ ): 2,5 m/s<sup>2</sup> ή λιγότερο

Αβεβαιότητα (K): 1,5 m/s<sup>2</sup>

**ΠΑΡΑΤΗΡΗΣΗ:** Η δηλωμένη τιμή(ές) συνολικών κραδασμών έχει μετρηθεί σύμφωνα με την πρότυπη μέθοδο δοκιμής και μπορεί να χρησιμοποιηθεί για τη σύγκριση ενός εργαλείου με κάποιο άλλο.

**ΠΑΡΑΤΗΡΗΣΗ:** Η δηλωμένη τιμή(ές) συνολικών κραδασμών μπορεί να χρησιμοποιηθεί και στην προκαταρκτική αξιολόγηση της έκθεσης.

**⚠️ ΠΡΟΕΙΔΟΠΟΙΗΣΗ:** Η εκπομπή κραδασμών κατά τη χρήση του ηλεκτρικού εργαλείου σε πραγματικές συνθήκες μπορεί να διαφέρει από τη δηλωμένη τιμή(ές) εκπομπής ανάλογα με τους τρόπους χρήσης του εργαλείου, ιδιαίτερα το είδος του τεμαχίου εργασίας που υπόκειται επεξεργασία.

**⚠️ ΠΡΟΕΙΔΟΠΟΙΗΣΗ:** Φροντίστε να λάβετε τα κατάλληλα μέτρα προστασίας του χειριστή βάσει ενός υπολογισμού της έκθεσης σε πραγματικές συνθήκες χρήσης (λαμβάνοντας υπόψη όλες τις συνιστώσες του κύκλου λειτουργίας όπως τους χρόνους που το εργαλείο είναι εκτός λειτουργίας και όταν βρίσκεται σε αδρανή λειτουργία πέραν του χρόνου ενεργοποίησης).

## Δήλωση συμμόρφωσης ΕΚ

*Μόνο για χώρες της Ευρώπης*

Η δήλωση συμμόρφωσης ΕΚ περιλαμβάνεται ως Παράρτημα Α στο παρόν εγχειρίδιο οδηγιών.

## ΠΡΟΕΙΔΟΠΟΙΗΣΕΙΣ ΑΣΦΑΛΕΙΑΣ

### Γενικές προειδοποιήσεις ασφαλείας για το ηλεκτρικό εργαλείο

**⚠️ ΠΡΟΕΙΔΟΠΟΙΗΣΗ:** Διαβάστε όλες τις προειδοποιήσεις ασφαλείας, οδηγίες, εικονογραφίες και προδιαγραφές που παρέχονται με αυτό το ηλεκτρικό εργαλείο. Η μη τήρηση όλων των οδηγιών που αναγράφονται κατωτέρω μπορεί να καταλήξει σε ηλεκτροπληξία, πυρκαγιά ή/και σοβαρό τραυματισμό.

### Φυλάξτε όλες τις προειδοποιήσεις και τις οδηγίες για μελλοντική παραπομπή.

Στις προειδοποιήσεις, ο όρος «ηλεκτρικό εργαλείο» αναφέρεται σε ηλεκτρικό εργαλείο που τροφοδοτείται από την κύρια παροχή ηλεκτρικού ρεύματος (με ηλεκτρικό καλώδιο) ή σε ηλεκτρικό εργαλείο που τροφοδοτείται από μπαταρία (χωρίς ηλεκτρικό καλώδιο).

### Προειδοποιήσεις ασφαλείας για το διατηρητικό κλειδί μπαταρίας

1. Κρατάτε το ηλεκτρικό εργαλείο από τις μονωμένες αντιολισθητικές λαβές όταν εκτελείτε μια εργασία όπου είναι πιθανό ο σφικτήρας να έρθει σε επαφή με κρυμμένα καλώδια. Αν οι σφικτήρες έρθουν σε επαφή με καλώδιο από το οποίο διέρχεται ρεύμα, ενδέχεται να διέλθει ρεύμα από τα εκτεθειμένα μεταλλικά μέρη του ηλεκτρικού εργαλείου και να προκληθεί ηλεκτροπληξία στο χειριστή.
2. Πριν χρησιμοποιήσετε το ηλεκτρικό εργαλείο, βεβαιωθείτε ότι το εξωτερικό χιτώνιο γυρίζει ομαλά με το χέρι. Αν δεν γυρίζει ομαλά, μη χρησιμοποιήσετε ποτέ το εργαλείο και απευθυνθείτε σε Εξουσιοδοτημένο Κέντρο Σέρβις της Makita για να το ελέγξει και να το επισκευάσει.

3. Αν η αποκομμένη μύτη μπουλονιού πέσει χωρίς να τραβήξετε το μοχλό εξαγωγής, μη χρησιμοποιήσετε ποτέ το εργαλείο και απευθυνθείτε σε Εξουσιοδοτημένο Κέντρο Σέρβις της Makita για να το ελέγξει και να το επισκευάσει.
4. Φροντίστε να έχετε πάντοτε καλή ισορροπία και να στηρίξετε σταθερά στα πόδια σας. Όταν χρησιμοποιείτε το εργαλείο σε ψηλά ή υπερυψωμένα σημεία, βεβαιωθείτε ότι δεν υπάρχουν άτομα κάτω από αυτό.
5. Κρατάτε το εργαλείο σταθερά.
6. Προσέχετε και ενεργείτε με κοινή λογική όταν απορρίπτετε τις αποκομμένες μύτες μπουλονιών. Αν αφήσετε να πέσουν κάτω ή να σκορπίσουν μύτες από ψηλά σημεία, μπορεί να προκληθεί σοβαρός τραυματισμός.
7. Μην στερεώνετε το εργαλείο στα ρούχα σας ή σε εξάρτηση ασφαλείας όταν βρίσκεστε σε ψηλά σημεία.

**⚠️ ΠΡΟΕΙΔΟΠΟΙΗΣΗ:** ΜΗΝ επιτρέψετε το βαθμό άνεσης ή εξοικείωσης με το προϊόν (λόγω επανειλημμένης χρήσης) να αντικαταστήσει την αυστηρή τήρηση των κανόνων ασφαλείας του παρόντος εργαλείου. Η ΛΑΝΘΑΣΜΕΝΗ ΧΡΗΣΗ ή η αμέλεια να ακολουθήσετε τους κανόνες ασφαλείας που διατυπώνονται στο παρόν εγχειρίδιο οδηγιών μπορεί να προκαλέσει σοβαρό προσωπικό τραυματισμό.

### Σημαντικές οδηγίες ασφαλείας για κασέτα μπαταριών

1. Πριν χρησιμοποιήσετε την κασέτα μπαταριών, διαβάστε όλες τις οδηγίες και σημειώσεις προφύλαξης (1) στον φορηστή μπαταριών, (2) στην μπαταρία και (3) στο προϊόν που χρησιμοποιεί την μπαταρία.
2. Μην αποσυναρμολογήσετε την κασέτα μπαταριών.
3. Εάν ο χρόνος λειτουργίας έχει γίνει υπερβολικά βραχύς, σταματήστε τη λειτουργία αμέσως. Αλλιώς, μπορεί να έχει ως αποτέλεσμα κίνδυνο υπερθέρμανσης, πιθανά εγκαύματα ή ακόμη και έκρηξη.
4. Εάν ηλεκτρολύτης μπει στα μάτια σας, ξεπλύνετε τα με καθαρό νερό και ζητήστε ιατρική φροντίδα αμέσως. Αλλιώς, μπορεί να έχει ως αποτέλεσμα απώλεια της όρασης σας.
5. Μη βραχυκυκλώνετε την κασέτα μπαταριών:
  - (1) Μην αγγίζετε τους πόλους με οτιδήποτε αγώγιμο υλικό.
  - (2) Αποφύγετε να αποθηκεύετε την κασέτα μπαταριών μέσα σε ένα δοχείο μαζί με άλλα μεταλλικά αντικείμενα όπως καρφιά, νομίσματα, κλπ.
  - (3) Μην εκθέτετε την κασέτα μπαταριών στο νερό ή στη βροχή.Ένα βραχυκύκλωμα μπαταρίας μπορεί να προκαλέσει μεγάλη ροή ρεύματος, υπερθέρμανση, πιθανά εγκαύματα ακόμη και σοβαρή βλάβη.
6. Μην αποθηκεύετε το εργαλείο και την κασέτα μπαταριών σε τοποθεσίες όπου η θερμοκρασία μπορεί να φτάσει ή να ξεπεράσει τους 50°C.

- Μην καίτε την κασέτα μπαταριών ακόμη και εάν έχει σοβαρή ζημιά ή είναι εντελώς φθαρμένη. Η κασέτα μπαταριών μπορεί να εκραγεί στη φωτιά.
- Προσέχετε να μη ρίξετε κάτω ούτε να χτυπήσετε την μπαταρία.
- Μη χρησιμοποιείτε μπαταρία που έχει υποστεί ζημιά.
- Οι μπαταρίες ιόντων λιθίου που περιέχονται υπόκεινται στις απαιτήσεις της νομοθεσίας για επικίνδυνα αγαθά.

Για εμπορικές μεταφορές, για παράδειγμα από τρίτα μέρη, πρέπει να τηρούνται οι διαμεταφορές, οι ειδικές απαιτήσεις στη συσκευασία και η επισήμανση.

Για προετοιμασία του στοιχείου που αποστέλλεται, είναι απαραίτητο να συμβουλευτείτε έναν ειδικό για επικίνδυνα υλικά. Επίσης, τηρήστε τους πιθανούς, πιο αναλυτικούς εθνικούς κανονισμούς. Καλύψτε με αυτοκόλλητη ταινία ή κρύψτε τις ανοικτές επαφές και συσκευάστε την μπαταρία με τρόπο που να μην μπορεί να μετακινείται μέσα στη συσκευασία.

- Όταν απορρίπτετε την κασέτα μπαταριών, αφαιρέστε την από το εργαλείο και διαθέστε την σε ένα ασφαλές μέρος. Τηρήστε τους τοπικούς κανονισμούς που σχετίζονται με τη διάθεση της μπαταρίας.
- Χρησιμοποιήστε τις μπαταρίες μόνο με τα προϊόντα που καθορίζει η Makita. Αν τοποθετήσετε τις μπαταρίες σε μη συμβατά προϊόντα μπορεί να έχει ως αποτέλεσμα πυρκαγιά, υπερβολική θερμότητα, έκρηξη ή διαρροή ηλεκτρολύτη.
- Αν δεν χρησιμοποιείτε το εργαλείο για μεγάλο χρονικό διάστημα, πρέπει να βγάλετε την μπαταρία από το εργαλείο.

## ΦΥΛΑΞΤΕ ΤΙΣ ΟΔΗΓΙΕΣ ΑΥΤΕΣ.

**▲ΠΡΟΣΟΧΗ:** Να χρησιμοποιείτε μόνο γνήσιες μπαταρίες της Makita. Η χρήση μη γνήσιων μπαταριών Makita, ή μπαταριών που έχουν τροποποιηθεί, μπορεί να έχει ως αποτέλεσμα τη ρήξη της μπαταρίας, προκαλώντας πυρκαγιά, προσωπικό τραυματισμό και βλάβη. Επίσης, θα ακυρωθεί η εγγύηση της Makita για το εργαλείο και φορτιστή Makita.

## Συμβουλές για τη διατήρηση της μέγιστης ζωής μπαταρίας

- Φορτίζετε την κασέτα μπαταριών πριν από την πλήρη αποφόρτιση της. Πάντοτε να σταματάτε τη λειτουργία του εργαλείου και να φορτίζετε την κασέτα μπαταριών όταν παρατηρήσετε μειωμένη ισχύ εργαλείου.
- Ποτέ μην επαναφορτίζετε μια πλήρως φορτισμένη κασέτα μπαταριών. Η υπερφόρτιση μειώνει την ωφέλιμη ζωή της μπαταρίας.
- Να φορτίζετε την κασέτα μπαταριών σε θερμοκρασία δωματίου, δηλαδή στους 10°C έως 40°C. Αφήστε μια θερμή κασέτα μπαταριών να κρυώσει πριν την φορτίσετε.
- Να φορτίζετε την κασέτα μπαταριών εάν δεν τη χρησιμοποιείτε για μεγάλη χρονική περίοδο (περισσότερο από έξι μήνες).

## ΠΕΡΙΓΡΑΦΗ ΛΕΙΤΟΥΡΓΙΑΣ

**▲ΠΡΟΣΟΧΗ:** Να φροντίζετε πάντα για την απενεργοποίηση του εργαλείου και την αφαίρεση της κασέτας μπαταρίας, πριν από οποιαδήποτε ρύθμιση ή έλεγχο της λειτουργίας του.

## Τοποθέτηση ή αφαίρεση της κασέτας μπαταριών

**▲ΠΡΟΣΟΧΗ:** Να σβήνετε πάντα το εργαλείο πριν τοποθετήσετε ή αφαιρέσετε την κασέτα μπαταριών.

**▲ΠΡΟΣΟΧΗ:** Κρατήστε το εργαλείο και την κασέτα μπαταριών σταθερά κατά την τοποθέτηση ή αφαίρεση της κασέτας μπαταριών. Εάν δεν κρατάτε το εργαλείο και την κασέτα μπαταριών σταθερά μπορεί να γλιστρήσουν από τα χέρια σας και να προκληθεί βλάβη στο εργαλείο και την κασέτα μπαταριών και προσωπικός τραυματισμός.

► **Εικ.1:** 1. Κόκκινη ένδειξη 2. Κουμπί 3. Κασέτα μπαταριών

Για να αφαιρέσετε την κασέτα μπαταριών, ολισθήστε την από το εργαλείο ενώ σύρετε το κουμπί στο μπροστινό μέρος της κασέτας.

Για να τοποθετήσετε την κασέτα μπαταριών, ευθυγραμμίστε τη γλώσσα στην κασέτα μπαταριών με την αύλακα στην υποδοχή και ολισθήστε τη στη θέση της. Να την τοποθετείτε πλήρως μέχρι να ασφαλίσει στη θέση της, γεγονός που υποδεικνύεται με ένα χαρακτηριστικό ήχο. Εάν μπορείτε να δείτε την κόκκινη ένδειξη στην επάνω πλευρά του κουμπιού, δεν έχει κλειδώσει τελείως.

**▲ΠΡΟΣΟΧΗ:** Να τοποθετείτε πάντα την κασέτα μπαταριών πλήρως μέχρι να μη βλέπετε την κόκκινη ένδειξη. Εάν δεν ασφαλίσει, μπορεί να πέσει από το εργαλείο τυχαία, προκαλώντας σωματική βλάβη σε εσάς ή κάποιον άλλο γύρω σας.

**▲ΠΡΟΣΟΧΗ:** Μην τοποθετείτε την κασέτα μπαταριών με βία. Εάν η κασέτα δεν ολισθαίνει με ευκολία, τότε δεν έχει τοποθετηθεί κατάλληλα.




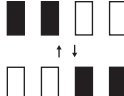
## Εμφάνιση υπολειπόμενης χωρητικότητας μπαταρίας

**Μόνο για κασέτες μπαταρίας με την ενδεικτική λυχνία**

► **Εικ.2:** 1. Ενδεικτικές λυχνίες 2. Κουμπί ελέγχου

Πιέστε το κουμπί ελέγχου στην κασέτα μπαταριών για να υποδείξετε την υπολειπόμενη χωρητικότητα μπαταρίας. Οι ενδεικτικές λυχνίες ανάβουν για λίγα δευτερόλεπτα.

Ενδεικτικές λυχνίες			Υπολειπόμενη χωρητικότητα
Αναμμένες	Σβηστές	Αναβοσβήνον	
■ ■ ■ ■ ■	□ □ □ □ □	▧	75% έως 100%
■ ■ ■ ■ □	□ □ □ □ □	▧	50% έως 75%
■ ■ ■ □ □	□ □ □ □ □	▧	25% έως 50%
■ ■ □ □ □	□ □ □ □ □	▧	0% έως 25%
▧ □ □ □ □	□ □ □ □ □	▧	Φορτίστε την μπαταρία.

Ενδεικτικές Λυχνίες			Υπολειπόμενη χωρητικότητα
 Αναμμένες	 Σβηστές	 Αναβοσβήνουν	
			Μπορεί να προέκυψε δυσλειτουργία στην μπαταρία.

**ΠΑΡΑΤΗΡΗΣΗ:** Ανάλογα με τις συνθήκες χρήσης και τη θερμοκρασία περιβάλλοντος, η ένδειξη μπορεί να διαφέρει λίγο από την πραγματική χωρητικότητα.

## Σύστημα προστασίας εργαλείου/ μπαταρίας

Το εργαλείο είναι εξοπλισμένο με σύστημα προστασίας εργαλείου/μπαταρίας. Αυτό το σύστημα αποκόπτει αυτόματα την ισχύ προς το μοτέρ για να παραταθεί η διάρκεια λειτουργίας του εργαλείου και της μπαταρίας. Το εργαλείο σταματάει αυτόματα κατά τη διάρκεια της λειτουργίας εάν το εργαλείο ή η μπαταρία βρεθούν κάτω από τις παρακάτω συνθήκες:

### Προστασία υπερφόρτωσης

Αν χειριστείτε το εργαλείο ή την μπαταρία με τρόπο που να τραβά αφύσικα υψηλό ρεύμα, το εργαλείο θα σταματήσει αυτόματα χωρίς προειδοποίηση. Σε αυτήν την περίπτωση, απενεργοποιήστε το εργαλείο και διακόψτε την εργασία που προκάλεσε την υπερφόρτωση του εργαλείου. Στη συνέχεια, ενεργοποιήστε το εργαλείο για να ξεκινήσει και πάλι.

### Προστασία υπερθέρμανσης

Σε περίπτωση υπερθέρμανσης του εργαλείου ή της μπαταρίας, το εργαλείο σταματά αυτόματα. Σε αυτήν την περίπτωση, αφήστε το εργαλείο και την μπαταρία να κρυώσουν πριν ενεργοποιήσετε ξανά το εργαλείο.

### Προστασία υπερβολικής αποφόρτισης

Όταν η φόρτιση μπαταρίας δεν είναι αρκετή, το εργαλείο σταματάει αυτόματα. Σε αυτή την περίπτωση, βγάλτε την μπαταρία από το εργαλείο και φορτίστε την μπαταρία.

## Δράση διακόπτη

**▲ΠΡΟΕΙΔΟΠΟΙΗΣΗ:** Πριν βάλετε την κασέτα μπαταρίας μέσα στο εργαλείο, να ελέγχετε πάντα να δείτε αν η σκανδάλη διακόπτης ενεργοποιείται κανονικά και επιστρέφει στη θέση «OFF» όταν ελευθερώνεται.

Για να αποφευχθεί τυχόν ακούσιο τράβηγμα της σκανδάλης διακόπτη, παρέχεται το κουμπί ασφάλειας σκανδάλης.

Για να θέσετε σε λειτουργία το εργαλείο, πιάστε το κουμπί ασφάλειας σκανδάλης προς την πλευρά Α και τραβήξτε τη σκανδάλη διακόπτη. Αφήστε τη σκανδάλη διακόπτη για να το απενεργοποιήσετε. Μετά τη χρήση, πιάστε το κουμπί ασφάλειας σκανδάλης προς την πλευρά Β.

- **Εικ.3:** 1. Κουμπί ασφάλειας σκανδάλης  
2. Σκανδάλη διακόπτη

**ΠΑΡΑΤΗΡΗΣΗ:** Το εργαλείο σταματά αυτόματα αν συνεχίσετε να τραβάτε τη σκανδάλη διακόπτη για περίπου 6 λεπτά.

Όταν τραβήξετε το μοχλό εξαγωγής, η μύτη του μπουλονιού εξάγεται από το εργαλείο.

- **Εικ.4:** 1. Μοχλός εξαγωγής

## Λυχνία φορτίου μπαταρίας

Όταν μειωθεί το φορτίο που έχει απομείνει στην μπαταρία, η λυχνία φορτίου μπαταρίας αναβοσβήνει. Φορτίστε την μπαταρία ή αντικαταστήστε την με μια πλήρως φορτισμένη μπαταρία. Όταν το φορτίο που έχει απομείνει στην μπαταρία μειωθεί ακόμα περισσότερο, το εργαλείο σταματά και η λυχνία φορτίου μπαταρίας ανάβει σταθερά.

- **Εικ.5:** 1. Λυχνία φορτίου μπαταρίας

## Γάντζος

**▲ΠΡΟΣΟΧΗ:** Βεβαιωθείτε να συνδέσετε τον ιμάντα ώμου που συνοδεύει το εργαλείο ως τυπικό εξάρτημα. Χρησιμοποιήστε τον ιμάντα ώμου για τη μεταφορά του εργαλείου και μην χρησιμοποιείτε ποτέ τον γάντζο για άλλους σκοπούς, όπως για πρόληψη πτώσης από κάποιο υψηλό σημείο.

Αν ο γάντζος χρησιμοποιηθεί για άλλους σκοπούς, το υπερβολικό φόρτο μπορεί να τον σπάσει και να προκαλέσει σοβαρό τραυματισμό στο χειριστή και στα άτομα που βρίσκονται κοντά ή κάτω από το χειριστή.

**▲ΠΡΟΣΟΧΗ:** Αν στερεώσετε τον ιμάντα ώμου στο γάντζο, φροντίστε να το στερεώσετε καλά. Αν δεν στερεωθεί καλά, μπορεί να βγει το εργαλείο και να προκληθεί τραυματισμός.

**▲ΠΡΟΣΟΧΗ:** Όταν μεταφέρετε το εργαλείο χρησιμοποιώντας τον ιμάντα ώμου, προσέχετε να μην μπλεχτεί ο ιμάντας ώμου με το σώμα σας ή με αντικείμενα και να μην χτυπήσετε αντικείμενα με το εργαλείο. Αν δεν τηρήσετε αυτή την οδηγία, μπορεί να προκληθεί ατύχημα.

**▲ΠΡΟΣΟΧΗ:** Αφαιρέστε τον ιμάντα ώμου από τον γάντζο πριν θέσετε το εργαλείο σε λειτουργία. Αν δεν τηρήσετε αυτή την οδηγία, μπορεί να χάσετε την ισορροπία σας κατά τη λειτουργία και να προκληθεί ατύχημα.

- **Εικ.6:** 1. Γάντζος 2. Ιμάντας ώμου

Για τη μεταφορά του εργαλείου, συνδέστε τον ιμάντα ώμου που συνοδεύει το εργαλείο ως τυπικό εξάρτημα με το γάντζο. Αφαιρέστε τον ιμάντα ώμου από τον γάντζο πριν θέσετε το εργαλείο σε λειτουργία.

## ΣΥΝΑΡΜΟΛΟΓΗΣΗ

**▲ΠΡΟΣΟΧΗ:** Να βεβαιώνετε πάντα ότι το εργαλείο είναι σβηστό και η κασέτα μπαταρίας έχει αφαιρεθεί πριν εκτελέσετε κάποια εργασία στο εργαλείο.

## Αφαίρεση του εξωτερικού και του εσωτερικού χιτωνίου

**▲ ΠΡΟΣΟΧΗ:** Προσέξτε να μην εισέλθουν ξένα σώματα μέσα στο εργαλείο κατά την αφαίρεση ή την τοποθέτηση του εξωτερικού και του εσωτερικού χιτωνίου.

1. Χαλαρώστε τις δύο βίδες κρατώντας το εξωτερικό χιτώνιο. Το εξωτερικό και το εσωτερικό χιτώνιο ωθούνται προς τα πάνω από τα ελατήρια που είναι ενσωματωμένα στο εργαλείο.  
▶ **Εικ.7:** 1. Εξωτερικό χιτώνιο 2. Βίδα

2. Πιέστε τον πείρο προς τα κάτω για να βγάλετε το εσωτερικό χιτώνιο από το εξωτερικό χιτώνιο.  
▶ **Εικ.8:** 1. Εσωτερικό χιτώνιο 2. Πείρος 3. Εξωτερικό χιτώνιο

**ΕΙΔΟΠΟΙΗΣΗ:** Προσέξτε να μην πέσει κάτω το εσωτερικό χιτώνιο καθώς το βγάζετε.

**ΕΙΔΟΠΟΙΗΣΗ:** Μην αφαιρέσετε τη λεπτή ράβδο, το ελατήριο λεπτής ράβδου και το ελατήριο εσωτερικού χιτωνίου από το εργαλείο.

▶ **Εικ.9:** 1. Λεπτή ράβδος 2. Ελατήριο λεπτής ράβδου 3. Ελατήριο εσωτερικού χιτωνίου

## Τοποθέτηση του εξωτερικού και του εσωτερικού χιτωνίου

Τοποθετήστε το εσωτερικό χιτώνιο με τον πείρο στραμμένο προς τα πάνω. Στερεώστε καλά το εξωτερικό χιτώνιο στο εσωτερικό χιτώνιο πιέζοντας τον πείρο του εσωτερικού χιτωνίου.

▶ **Εικ.10:** 1. Εξωτερικό χιτώνιο 2. Πείρος 3. Εσωτερικό χιτώνιο

Βάλτε το εξωτερικό και το εσωτερικό χιτώνιο μέσα στο εργαλείο περιστρέφοντας το εσωτερικό χιτώνιο δεξιόστροφα και αριστερόστροφα, έως ότου το εξωτερικό χιτώνιο έρθει σε επαφή με το εργαλείο. Σφίξτε σταθερά τις δύο βίδες.

▶ **Εικ.11:** 1. Εξωτερικό χιτώνιο 2. Βίδα

**ΕΙΔΟΠΟΙΗΣΗ:** Βεβαιωθείτε ότι δεν υπάρχει κενό ανάμεσα στο εξωτερικό χιτώνιο και το εργαλείο.

## ΛΕΙΤΟΥΡΓΙΑ

**▲ ΠΡΟΣΟΧΗ:** Πάντα να εισαγάγετε την κασέτα μπαταριών έως το τέρμα, μέχρι να ασφαλίσει στη θέση της. Αν μπορείτε να δείτε την κόκκινη ένδειξη στην επάνω πλευρά του κουμπιού, δεν έχει κλειδώσει τελείως. Εισαγάγετε την πλήρως έτσι ώστε να μην φαίνεται η κόκκινη ένδειξη. Σε αντίθετη περίπτωση, μπορεί να πέσει κατά λάθος από το εργαλείο και να τραυματίσει εσάς ή κάποιον παρευρισκόμενο.

**▲ ΠΡΟΣΟΧΗ:** Διατηρείτε τις μύτες μπουλονιών μακριά από το έδαφος, το δάπεδο, τους διαδρόμους κτλ., έτσι ώστε να αποφευχθεί τυχόν τραυματισμός από παραπάτημα ή πτώση.

1. Σφίξτε προκαταρκτικά τα μπουλόνια με ένα κλειδί χειρός.

2. Κρατήστε σταθερά το εργαλείο και τοποθετήστε το εσωτερικό χιτώνιο πάνω στο μπουλόνι, έτσι ώστε το εσωτερικό χιτώνιο να καλύψει πλήρως τη μύτη του μπουλονιού.

▶ **Εικ.12:** 1. Εσωτερικό χιτώνιο 2. Μύτη μπουλονιού

**ΕΙΔΟΠΟΙΗΣΗ:** Προσέξτε κατά την εφαρμογή του χιτωνίου στη μύτη του μπουλονιού. Αν χτυπήσετε τη μύτη, μπορεί να υποστεί τέτοια ζημιά ώστε να μην φωλιάζει πλέον σωστά μέσα στο χιτώνιο.

3. Σπρώξτε απαλά το εργαλείο, έως ότου το εξωτερικό χιτώνιο σταθεροποιησει πλήρως το παξιμάδι. Αν το εξωτερικό χιτώνιο δεν σταθεροποιησει το παξιμάδι, περιστρέψτε το εργαλείο δεξιόστροφα ή αριστερόστροφα, σπρώχνοντας απαλά το εργαλείο.

4. Πιέστε το κουμπί ασφαλείας σκανδάλης και μετά τραβήξτε τη σκανδάλη διακόπτη. Το εξωτερικό χιτώνιο περιστρέφεται σφίγγοντας το παξιμάδι.

▶ **Εικ.13:** 1. Εξωτερικό χιτώνιο 2. Παξιμάδι

**ΕΙΔΟΠΟΙΗΣΗ:** Μην ασκείτε στο εργαλείο υπερβολική δύναμη προς τα κάτω. Ασκίστε δύναμη προς τα κάτω στο βαθμό που απαιτείται για να σταθεροποιηθεί το εργαλείο.

5. Όταν επιτευχθεί η προβλεπόμενη ροπή, η μύτη του μπουλονιού θα αποκοπεί στο αυλακωτό τμήμα. Η μύτη του μπουλονιού παραμένει μέσα στο εσωτερικό χιτώνιο.

▶ **Εικ.14:** 1. Αυλακωτό τμήμα 2. Μύτη μπουλονιού

6. Αφήστε τη σκανδάλη διακόπτη και αποσύρετε το εργαλείο σε ευθεία γραμμή.

▶ **Εικ.15:** 1. Εξωτερικό χιτώνιο

7. Τραβήξτε το μοχλό εξαγωγής για να εξαχθεί η μύτη του μπουλονιού από το εργαλείο. Πιάστε τις αποκομμένες μύτες μπουλονιού για να μην πέσουν κάτω.

▶ **Εικ.16:** 1. Μύτη μπουλονιού

**ΕΙΔΟΠΟΙΗΣΗ:** Η ροδέλα και το παξιμάδι έχουν κεφαλή και ουρά. Υπάρχει ένα διακριτικό σημάδι στην κεφαλή του παξιμαδιού και μια πλαγιοτομή στην κεφαλή της ροδέλας. Προσέξτε να μην τοποθετήσετε ανάποδα τις κεφαλές και τις ουρές κατά την τοποθέτηση της ροδέλας και του παξιμαδιού.

▶ **Εικ.17:** 1. Διακριτικό σημάδι 2. Παξιμάδι 3. Μπουλόνι 4. Πλαγιοτομή 5. Ροδέλα

**ΕΙΔΟΠΟΙΗΣΗ:** Αντικαταστήστε το παξιμάδι, το μπουλόνι και τη ροδέλα, όταν περιστρέφονται μαζί, όταν το παξιμάδι περιστρέφεται υπερβολικά ή όταν το μπουλόνι προεξέχει από την επιφάνεια του παξιμαδιού περισσότερο ή λιγότερο από το κανονικό.

**ΕΙΔΟΠΟΙΗΣΗ:** Μην επαναχρησιμοποιήσετε χρησιμοποιημένο παξιμάδι, μπουλόνι ή ροδέλα.

Τα εναπομείναντα μήκη των μπουλονιών μετά την αποκοπή των μυτών καθορίζονται από το μέγεθος των μπουλονιών. Ανατρέξτε στον παρακάτω πίνακα και επιλέξτε διατημητικά μπουλόνια ανάλογα με το πάχος του κατεργαζόμενου τεμαχίου που θέλετε να στερεώσετε.

Μέγεθος μπουλονιών	Μέγιστο εναπομένον μήκος	Ελάχιστο εναπομένον μήκος
M16	20 mm	4,5 mm
M20	15 mm	5,5 mm
M22	14 mm	7 mm

► **Εικ.18:** 1. Εναπομένον μήκος

**ΕΙΔΟΠΟΙΗΣΗ:** Χρησιμοποιήστε μπουλόνια με εναπομένον μήκος εντός των τιμών που παρατίθενται στον ανωτέρω πίνακα, δεδομένου ότι τα μπουλόνια διαφορετικού μεγέθους έχουν διαφορετικό μέγιστο και ελάχιστο εναπομένον μήκος.

**ΕΙΔΟΠΟΙΗΣΗ:** Προσέξτε να μην χρησιμοποιήσετε μπουλόνια εκτός του προβλεπόμενου εύρους τιμών, γιατί μπορεί να προκληθεί δυσλειτουργία στο εργαλείο.

## ΣΥΝΤΗΡΗΣΗ

**ΠΡΟΣΟΧΗ:** Πριν την εκτέλεση εργασιών επιθεώρησης ή συντήρησης, πάντοτε να βεβαιώνετε ότι η συσκευή απενεργοποιήθηκε και η κασέτα μπαταριών έχει αφαιρεθεί.

**ΕΙΔΟΠΟΙΗΣΗ:** Μην χρησιμοποιείτε ποτέ βενζίνη, πετρελαϊκό αιθέρα, διαλυτικό, αλκοόλη ή παρόμοιες ουσίες. Μπορεί να προκληθεί αποχρωματισμός, παραμόρφωση ή ρωγμές.

Για τη διατήρηση της ΑΣΦΑΛΕΙΑΣ και ΑΞΙΟΠΙΣΤΙΑΣ του προϊόντος, οι επισκευές και οποιαδήποτε άλλη εργασία συντήρησης ή ρύθμισης πρέπει να εκτελούνται από εξουσιοδοτημένα ή εργοστασιακά κέντρα εξυπηρέτησης της Makita, χρησιμοποιώντας πάντοτε ανταλλακτικά της Makita.

## Προστατευτικό μπαταριών

**ΠΡΟΕΙΔΟΠΟΙΗΣΗ:** Μην αφαιρέσετε το προστατευτικό μπαταριών. Μη χρησιμοποιήσετε το εργαλείο αν το προστατευτικό μπαταριών έχει αφαιρεθεί ή παρουσιάζει ζημιά. Η άμεση σύγκρουση της κασέτας μπαταριών μπορεί να προκαλέσει τη δυσλειτουργία της μπαταρίας και να έχει ως αποτέλεσμα τον τραυματισμό ή/και την πυρκαγιά. Αν το προστατευτικό μπαταριών είναι παραμορφωμένο ή κατεστραμμένο, επικοινωνήστε με το εξουσιοδοτημένο κέντρο σέρβις για επισκευές.

**ΠΡΟΣΟΧΗ:** Μην στερεώνετε λουράκι στο προστατευτικό μπαταρίας για να κρεμάσετε το εργαλείο.

**ΠΡΟΣΟΧΗ:** Μην συνδέσετε τον ιμάντα ώμου με το προστατευτικό μπαταριών.

► **Εικ.19:** 1. Προστατευτικό μπαταριών 2. Υποδοχή προστατευτικού μπαταριών

## ΠΡΟΑΙΡΕΤΙΚΑ ΕΞΑΡΤΗΜΑΤΑ

**ΠΡΟΣΟΧΗ:** Αυτά τα εξαρτήματα ή προσαρτήματα συνιστώνται για χρήση με το εργαλείο Makita που περιγράφηκε στις οδηγίες αυτές. Η χρήση οποιωνδήποτε άλλων εξαρτημάτων ή προσαρτημάτων μπορεί να προκαλέσει κίνδυνο τραυματισμού σε άτομα. Να χρησιμοποιείτε τα εξαρτήματα ή προσαρτήματα μόνο για την χρήση που προορίζονται.

Εάν χρειάζεστε οποιαδήποτε βοήθεια για περισσότερες πληροφορίες σε σχέση με αυτά τα εξαρτήματα, απευθυνθείτε στο τοπικό σας κέντρο εξυπηρέτησης Makita.

Μέγεθος μπουλονιών	Χιτώνιο	Μήκος
M16	Εξωτερικό χιτώνιο	35 mm
	Εσωτερικό χιτώνιο	36 mm
M20	Εξωτερικό χιτώνιο	37 mm
	Εσωτερικό χιτώνιο	38 mm
M22	Εξωτερικό χιτώνιο	39 mm
	Εσωτερικό χιτώνιο	39 mm
M22	Εξωτερικό χιτώνιο	85 mm
	Εσωτερικό χιτώνιο	85 mm
5/8"	Εξωτερικό χιτώνιο	35 mm
	Εσωτερικό χιτώνιο	36 mm
3/4"	Εξωτερικό χιτώνιο	37 mm
	Εσωτερικό χιτώνιο	38 mm
3/4"	Εξωτερικό χιτώνιο	83 mm
	Εσωτερικό χιτώνιο	84 mm

• Γνήσια μπαταρία και φορτιστής της Makita

**ΠΑΡΑΤΗΡΗΣΗ:** Μερικά στοιχεία στη λίστα μπορεί να συμπεριλαμβάνονται στη συσκευασία εργαλείου ως στάνταρ εξαρτήματα. Μπορεί να διαφέρουν ανάλογα με τη χώρα.



## TEKNİK ÖZELLİKLER

Model:	DWT310
Cıvata boyutu	M16, M20, M22
Maksimum tork	804 N•m
Yüksüz hız (devir/dak)	14 min <sup>-1</sup>
Toplam uzunluk	296 mm
Anma voltajı	D.C. 36 V
Net ağırlık	6,5 - 7,1 kg

- Sürekli yapılan araştırma ve geliştirmelerden dolayı, burada belirtilen özellikler önceden bildirilmeksizin değiştirilebilir.
- Özellikler ve batarya kartuşu ülkeden ülkeye değişebilir.
- Ağırlık, ekli aksesuara/aksesuarlara ve batarya kartuşuna bağlı olarak farklılık gösterebilir. EPTA-Prosedürü 01/2014'e göre en hafif ve en ağır kombinasyonlar tabloda verilmiştir.

## Geçerli batarya kartuşu ve şarj aleti

Batarya kartuşu	BL1815N / BL1820 / BL1820B / BL1830 / BL1830B / BL1840 / BL1840B / BL1850 / BL1850B / BL1860B
Şarj aleti	DC18RC / DC18RD / DC18RE / DC18SD / DC18SE / DC18SF

- Yukarıda listelenen batarya kartuşlarının ve şarj aletlerinin bazıları yaşadığımız bölgeye bağlı olarak mevcut olmayabilir.

**⚠UYARI:** Sadece yukarıda listelenen batarya kartuşlarını ve şarj aletlerini kullanın. Başka batarya kartuşlarının ve şarj aletlerinin kullanılması yaralanma ve/veya yangına neden olabilir.

## Kullanım amacı

Alet, "tor kesme tipi" yüksek çekme dayanımlı cıvataları sıkmak için tasarlanmıştır.

## Gürültü

Tipik A-ağırlıklı gürültü düzeyi (EN62841-2-2 standardına göre belirlenen):

Ses basınç seviyesi (L<sub>pa</sub>): 83 dB (A)

Ses gücü düzeyi (L<sub>wa</sub>): 94 dB (A)

Belirsizlik (K): 3 dB (A)

**NOT:** Beyan edilen gürültü emisyonu değer(ler)i bir standart test yöntemine uygun şekilde ölçülmüştür ve bir aleti bir başkasıyla karşılaştırmak için kullanılabilir.

**NOT:** Beyan edilen gürültü emisyonu değer(ler)i bir ön maruz kalma değerlendirmesi olarak da kullanılabilir.

**⚠UYARI:** Kulak koruyucuları takın.

**⚠UYARI:** Elektrikli aletin gerçek kullanımı sırasındaki gürültü emisyonu, aletin kullanım biçimlerine, özellikle işlenen iş parçasının türüne bağlı olarak beyan edilen değer(ler)den farklı olabilir.

**⚠UYARI:** Gerçek kullanım koşullarındaki tahmini maruziyeti baz alan, operatörü koruyacak güvenlik önlemlerini mutlaka belirleyin (çalışma döngüsü içerisinde aletin kapalı olduğu ve aktif durumda olmasının yanı sıra boşta çalıştığı zamanlar gibi, bütün zaman dilimleri göz önünde bulundurarak).

## Titreşim

Titreşim toplam değeri (üç eksenli vektör toplamı) (EN62841-2-2 standardına göre hesaplanan):

Çalışma modu: darbesiz vidalama

Titreşim emisyonu (a<sub>h</sub>): 2,5 m/s<sup>2</sup> den az

Belirsizlik (K): 1,5 m/s<sup>2</sup>

**NOT:** Beyan edilen titreşim toplam değer(ler)i bir standart test yöntemine uygun şekilde ölçülmüştür ve bir aleti bir başkasıyla karşılaştırmak için kullanılabilir.

**NOT:** Beyan edilen titreşim toplam değer(ler)i bir ön maruz kalma değerlendirmesi olarak da kullanılabilir.

**⚠UYARI:** Elektrikli aletin gerçek kullanımı sırasındaki titreşim emisyonu, aletin kullanım biçimlerine, özellikle işlenen iş parçasının türüne bağlı olarak beyan edilen değer(ler)den farklı olabilir.

**⚠UYARI:** Gerçek kullanım koşullarındaki tahmini maruziyeti baz alan, operatörü koruyacak güvenlik önlemlerini mutlaka belirleyin (çalışma döngüsü içerisinde aletin kapalı olduğu ve aktif durumda olmasının yanı sıra boşta çalıştığı zamanlar gibi, bütün zaman dilimleri göz önünde bulundurarak).

## EC Uygunluk Beyanı

**Sadece Avrupa ülkeleri için**

EC uygunluk beyanı bu kullanım kılavuzuna Ek A olarak eklenmiştir.

# GÜVENLİK UYARILARI

## Genel elektrikli alet güvenliği uyarıları

**⚠UYARI:** Bu elektrikli aletle birlikte sunulan tüm güvenlik uyarılarını, talimatları, çizimleri ve teknik özellikleri okuyun. Aşağıda verilen talimatlara uyulmaması elektrik şoku, yangın ve/veya ciddi yaralanmalar ile sonuçlanabilir.

## Tüm uyarıları ve talimatları ile-ride başvurmak için saklayın.

Uyarılardaki "elektrikli alet" terimi ile ya prizden çalışan (kordonlu) elektrikli aletinizi ya da kendi aküsü ile çalışan (kordonsuz) elektrikli aletinizi kastedilmektedir.

## Akülü cıvata ucu kesme anahtarı güvenliği uyarıları

1. **Tespit elemanının gizli kablolarla temas edebileceği bir işlem yaparken el aletini yalıtımlı kavrama yüzeylerinden tutun.** "Akımlı" kabloya temas eden tespit elemanları el aletinin açtıktaki metal kısımlarını "akımlı" hale getirebilir ve operatörün elektrige çarpmasına neden olabilir.
2. **El aletini kullanmadan önce dış manşonun elle takılmadan döndüğünden emin olun. Takılmadan dönmüyorsa aleti asla kullanmayın ve Makita Yetkili Servis Merkezinin kontrol ve tamir etmesini isteyin.**
3. **Kesilen cıvata ucu, çıkarma kolu çekilmeden düşürsörsö aleti asla kullanmayın ve Makita Yetkili Servis Merkezinin kontrol ve tamir etmesini isteyin.**
4. **Her zaman dengeinizi koruyun ve yere sağlam basın. Aleti yüksek veya yükseltilmiş yerlerde kullanırken altta kimse olmadığından emin olun.**
5. **Aleti sıkıca tutun.**
6. **Kesilen cıvata uçları atarken dikkatli olun sağduyulu davranın. Yüksek yerlerden düşen uçlar veya saçılan uçlar ciddi yaralanmaya neden olabilir.**
7. **Yüksek yerlerde aleti kıyafetinize veya emniyet kemerine takmayın.**

**⚠UYARI:** Ürünü kullanırken (defalarca kullanınca kazanılan) rahatlık ve tanıdıklık duygusunun ilgili ürünün güvenlik kurallarına sıkı sıkıya bağlı kalmanın yerine geçmesine İZİN VERMEYİN. YANLIŞ KULLANIM veya bu kullanma kılavuzunda belirtilen emniyet kurallarına uymama ciddi yaralanmaya neden olabilir.

## Batarya kartuşu hakkında önemli güvenliği talimatları

1. **Batarya kartuşunu kullanmadan önce, tüm talimatları ve (1) batarya kartuşu, (2) batarya ve (3) ürün üzerindeki tüm uyarı işaretlerini okuyun.**
2. **Batarya kartuşunu demonte etmeyin.**
3. **Çalışma süresi aşırı derecede kısalmışsa kullanmayı derhal bırakın. Aşırı ısınma, yanma riski hatta patlamaya neden olabilir.**
4. **Gözünüze elektrolit kaçarsa, gözlerinizi temiz suyla durulayın ve hemen tıbbi yardım alın. Görme kaybına yol açabilir.**

5. **Batarya kartuşuna kısa devre yaptırmayın:**
  - (1) **Terminallere herhangi bir iletken madde değdirmeyin.**
  - (2) **Batarya kartuşunu çiviler, madeni paralar, vb. gibi başka metal nesnelere aynı kaba koymaktan kaçının.**
  - (3) **Batarya kartuşunu yağmura ya da suya maruz bırakmayın.****Kısa devre, büyük bir akım akışına, aşırı ısınmaya, olası yangınlara hatta bataryanın bozulmasına yol açabilir.**
6. **Aleti ve batarya kartuşunu sıcaklığın 50°C ya da daha yükseğe ulaştığı yerlerde saklamayın.**
7. **Aşırı derecede hasar görmüş ya da tamamen kullanılmaz durumda olsa bile batarya kartuşunu kullanmayın. Batarya kartuşu ateşe atılsa patlayabilir.**
8. **Bataryayı düşürmemeye ve çarpmamaya dikkat edin.**
9. **Hasarlı bataryayı kullanmayın.**
10. **Aletin içerdığı lityum-iyon bataryalar Tehlikeli Eşyalar Yönetmeliğinin gereksinimlerine tabidir.** Ticari nakliye işlemleri için, örneğin üçüncü taraflar, nakliye acenteleri tarafından yapılan nakliyelerde, paketleme ve etiketleme gereksinimlerine uyulmalıdır. Nakliyesi yapılacak ürünün hazırlanması için, tehlikeli maddeler konusunda uzman bir kişiye danışın. Lütfen muhtemelen daha ayrıntılı olan ulusal yönetmeliklere de uyun. Açık kontakları bantlayın ya da maskeleyin ve bataryayı paketin içinde hareket etmeyecek şekilde paketleyin.
11. **Batarya kartuşunu bertaraf ederken aletten çıkarın ve güvenli bir yerde bertaraf edin. Bataryanın bertaraf edilmesi ile ilgili yerel düzenlemelere uyunuz.**
12. **Bataryaların sadece Makita tarafından belirtilen ürünlerle kullanın.** Bataryaların uyumsuz ürünlere takılması; yangın, aşırı ısınma, patlama ya da elektrolit sızıntısına neden olabilir.
13. **Alet uzun süre kullanılmıyacaksa batarya aletten çıkarılmalıdır.**

## BU TALİMATLARI MUHAFAZA EDİNİZ.

**⚠DİKKAT:** Sadece orijinal Makita bataryalarını kullanın. Orijinal olmayan Makita bataryaları ya da üzerine değişiklik yapılmış bataryaların kullanımı bataryanın patlamasına ve sonuç olarak yangın, kişisel yaralanma ve hasara neden olabilir. Ayrıca Makita aleti ve şarj aletinin Makita tarafından sunulan garantisi de geçersiz olur.

## Maksimum batarya ömrü için ipuçları

1. **Batarya kartuşunu tamamen boşalmadan önce şarj edin. Aletin gücünün zayıflamaya başladığını fark ettiğinizde aleti durdurun ve batarya kartuşunu şarj edin.**
2. **Tam dolu bir batarya kartuşunu asla yeniden şarj etmeyin. Aşırı şarj etme bataryanın hizmet ömrünü kısaltır.**
3. **Batarya kartuşunu 10°C - 40°C oda sıcaklığında şarj edin. Sıcak bir batarya kartuşunu şarj etmeden önce soğumasını bekleyin.**
4. **Uzun bir süre (altı aydan daha fazla) kullanmadığınız durumlarda batarya kartuşunu şarj edin.**

# İŞLEVSEL NİTELİKLER

**⚠️ DİKKAT:** Alet üzerinde ayarlama veya işleyiş kontrolü yapmadan önce aletin kapalı ve batarya kartuşunun ayrılmış olduğundan daima emin olun.

## Batarya kartuşunun takılması ve çıkarılması

**⚠️ DİKKAT:** Batarya kartuşunu takmadan ya da çıkarmadan önce aleti daima kapatın.

**⚠️ DİKKAT:** Batarya kartuşunu takarken veya çıkarırken aleti ve batarya kartuşunu sıkıca tutun. Aletin ve batarya kartuşunun sıkıca tutulmaması bunların düşürülmesine sebep olabilir ve alet ve batarya kartuşunun zarar görmesine ya da ciddi yaralanmasına yol açabilir.

► **Şek.1:** 1. Kırmızı göstergeler 2. Düğme 3. Batarya kartuşu

Batarya kartuşunu çıkarmak için, kartuşun ön tarafındaki düğmeyi kaydırarak kartuşu aletten çıkarın.

Batarya kartuşunu takmak için, batarya kartuşu üzerindeki dili yuvanın çentiği ile hizalayın ve yerine oturtun. Hafif bir tık sesi duyulana kadar itip yerine tam oturmasını sağlayın. Düğmenin üst tarafındaki kırmızı göstergeler görünüyorsa tam yerine kilitlenmemiş demektir.

**⚠️ DİKKAT:** Batarya kartuşunu daima kırmızı göstergeler görünmeyecek şekilde tam olarak takın. Yerine tam oturmazsa, aletten yanlışlıkla düşebilir, sizin ya da çevrenizdeki kişilerin yaralanmasına neden olabilir.

**⚠️ DİKKAT:** Batarya kartuşunu zorlayarak takmayın. Kartuş kolay bir şekilde kaymıyorsa doğru yerleştirilmemiş demektir.

## Kalan batarya kapasitesinin gösterilmesi

**Sadece göstergeli batarya kartuşları için**

► **Şek.2:** 1. Göstergeler lambaları 2. Kontrol düğmesi

Kalan batarya kapasitesini göstermesi için batarya kartuşu üzerindeki kontrol düğmesine basın. Göstergeler lambaları birkaç saniye yanar.

Göstergeler lambaları			Kalan kapasite
Yanıyor	Kapalı	Yanıp sönmüyor	
■	□	■	%75 ila %100
■ ■ ■ ■	□	□	
■ ■ ■	□	□	%50 ila %75
■ ■	□	□	
■	□	□	%25 ila %50
■	□	□	
■	□	□	%0 ila %25
■	□	□	
■	□	□	Bataryayı şarj edin.
■	□	□	
■ ■ □ □	□ □	■ ■	Batarya arızalanmış olabilir.
□ □ ■ ■	□ □	■ ■	

**NOT:** Kullanım koşullarına ve ortam sıcaklığına bağlı olarak, gösterilen değer gerçek kapasiteden biraz farklılık gösterebilir.

## Alet/batarya koruma sistemi

Bu alet bir alet/batarya koruma sistemi ile donatılmıştır. Bu sistem motora giden gücü otomatik olarak keserek uzun alet ve batarya ömrü sağlar. Alet veya batarya için aşağıdaki durumlardan biri söz konusu olduğunda aletin işleyişi otomatik olarak durur:

### Aşırı yük koruması

Alet veya batarya, anormal yüksek akım çekmesine neden olacak şekilde çalıştırılırsa alet hiçbir belirti vermeden otomatik olarak durur. Bu durumda aleti kapatın ve aletin aşırı yüklenmesine neden olan uygulamayı durdurun. Daha sonra aleti yeniden başlatın.

### Aşırı ısınma koruması

Alet veya batarya aşırı ısındığında alet otomatik olarak durur. Bu durumda aleti yeniden açmadan önce aletin ve bataryanın soğumasını bekleyin.

### Aşırı deşarj koruması

Batarya kapasitesi yeterli olmadığında, alet otomatik olarak durur. Bu durumda, bataryayı aletten çıkarın ve bataryayı tekrar şarj edin.

## Anahtar işlemleri

**⚠️ UYARI:** Batarya kartuşunu alete takmadan önce anahtar tetiğinin doğru çalıştığından ve bırakıldığında "OFF" (kapalı) konumuna döndüğünden emin olun.

Anahtar tetiğinin kazara çekilmesini engellemek için tetik kilitleme düğmesi sağlanmıştır.

Aleti çalıştırmak için tetik kilitleme düğmesine A tarafından basarak anahtar tetiği çekin. Durdurmak için anahtar tetiği bırakın. Kullandıktan sonra tetik kilitleme düğmesine B tarafından basın.

► **Şek.3:** 1. Tetik kilitleme düğmesi 2. Anahtar tetik

**NOT:** Yaklaşık 6 dakika boyunca anahtar tetiği çekmeye devam ederseniz alet otomatik olarak durur.

Çıkarma kolu çekildiğinde civata uçları aletten çıkarılır.

► **Şek.4:** 1. Çıkarma kolu

## Batarya gücü lambası

Kalan batarya kapasitesi düştüğünde batarya gücü lambası yanıp söner. Bataryayı şarj edin veya bataryayı tam şarjlı bir batarya ile değiştirin. Kalan batarya kapasitesi çok düştüğünde alet durur ve batarya gücü lambası yanar.

► **Şek.5:** 1. Batarya gücü lambası

## Kanca

**⚠️ DİKKAT:** Standart aksesuar olarak aletle birlikte verilen omuz kayışını mutlaka takın. Omuz kayışını aleti taşımak için kullanın ve yüksek yerlerden düşmeyi önlemek gibi başka maksatlarla asla kancayı kullanmayın. Kanca başka maksatlarla kullanılırsa aşırı yük onu koparabilir ve operatörün ve operatörün etrafındaki/altındaki kişilerin ciddi yaralanmasına neden olabilir.

**⚠️ DİKKAT:** Omuz kayışını kancaya takarken güvenli bir şekilde taktığınızdan emin olun. Eksik takılırsa alet çıkarak yaralanmaya neden olabilir.

**⚠️ DİKKAT:** Omuz kayışını kullanarak aleti taşıırken omuz kayışını vücudunuza veya nesnelere dolaştırmamaya ve aletle nesnelere vurmamaya dikkat edin. Aksi takdirde kazaya neden olabilir.

**⚠️ DİKKAT:** Aleti çalıştırmadan önce omuz kayışını kancadan çıkarın. Aksi takdirde çalıştığında dengeyi kaybetmenize ve kazaya neden olabilir.

► **Şek.6:** 1. Kanca 2. Omuz kayışı

Aleti taşımak için standart aksesuar olarak aletle birlikte verilen omuz kayışını kancaya takın. Aleti çalıştırmadan önce omuz kayışını kancadan çıkarın.

## MONTAJ

**⚠️ DİKKAT:** Alet üzerinde herhangi bir iş yapmadan önce aletin kapalı ve batarya kartuşunun ayrılmış olduğundan daima emin olun.

### Dış ve iç manşonların çıkarılması

**⚠️ DİKKAT:** Dış ve iç manşonları çıkarırken veya takarken aletin içine yabancı maddelerin girmemesi için dikkatli olun.

1. Dış manşonu tutarak iki vidayı gevşetin. Dış ve iç manşonlar, alete tümleşik yaylarca yukarı ittirilir.

► **Şek.7:** 1. Dış manşon 2. Vida

2. İç manşonu dış manşondan çıkarmak için pimi aşağı bastırın.

► **Şek.8:** 1. İç manşon 2. Pim 3. Dış manşon

**ÖNEMLİ NOT:** Çıkarırken iç manşonu düşürmeye dikkat edin.

**ÖNEMLİ NOT:** Uç rotunu, uç rotu yayını ve iç manşon yayını aletten çıkarmayın.

► **Şek.9:** 1. Uç rotu 2. Uç rotu yayı 3. İç manşon yayı

### Dış ve iç manşonların takılması

Pim yukarı bakacak şekilde iç manşonu yerleştirin. İç manşonun pimine bastırarak dış manşonu iç manşona sıkıca geçirin.

► **Şek.10:** 1. Dış manşon 2. Pim 3. İç manşon

Dış manşon alete dokunana kadar iç manşonu saat yönünde ve saatin aksi yönünde çevirerek iç ve dış manşonları alete takın. İki vidayı iyice sıkın.

► **Şek.11:** 1. Dış manşon 2. Vida

**ÖNEMLİ NOT:** Dış manşon ile alet arasında boşluk olmadığından emin olun.

## KULLANIM

**⚠️ DİKKAT:** Batarya kartuşunu daima yerine tam kilitlene kadar itin. Düğmenin üst tarafındaki kırmızı göstereği görüyorsanız, kartuş tam kilitlenmemiş demektir. Kırmızı göstere görünmeyecek şekilde tam olarak oturtun. Aksi takdirde, aletten yanlışlıkla düşebilir, sizin ya da çevrenizdeki kişilerin yaralanmasına neden olabilir.

**⚠️ DİKKAT:** Sendeleme veya düşme sonucu yaralanmayı engellemek için cıvata uçlarını yer, zemin, yürüme yolunda, vb. bırakmayın.

1. Cıvataları başlangıçta bir el anahtarını ile sıkın.
  2. Aleti sıkıca tutun ve iç manşonu, cıvata ucu iç manşon tarafından tamamen kapanacak şekilde cıvata üzerine yerleştirin.
- **Şek.12:** 1. İç manşon 2. Cıvata ucu

**ÖNEMLİ NOT:** Manşonu cıvata ucuna yerleştirirken dikkatli olun. Uca vurmak uca hasar verebilir, bu durumda manşonun içine artık düzgün bir şekilde oturmaz.

3. Dış manşon somunu tamamen tutana dek aleti hafifçe ittirin. Dış manşon somunu tutmazsa aleti hafifçe bastırırken aleti saat yönünde veya saatin aksi yönünde çevirin.

4. Tetik kilitleme düğmesine basın ve ardından anahtar tetiği çekin. Dış manşon dönererek somunu sıkır.

► **Şek.13:** 1. Dış manşon 2. Somun

**ÖNEMLİ NOT:** Alete aşağı doğru çok fazla kuvvet uygulamayın. Aleti dengede tutmak için gereken miktarda aşağı doğru güç uygulayın.

5. Belirtilen tork elde edildiğinde cıvata ucu, çentikli kısmından kesilir. Cıvata ucu iç manşonun içinde kalır.

► **Şek.14:** 1. Çentikli kısım 2. Cıvata ucu

6. Anahtar tetiği bırakın ve aleti düz bir hatta geri çekin.

► **Şek.15:** 1. Dış manşon

7. Cıvata ucunu aletten çıkarmak için çıkarma kolunu çekin. Düşmelerini engellemek için kesilen cıvata uçlarını yakalayın.

► **Şek.16:** 1. Cıvata ucu

**ÖNEMLİ NOT:** Pul ve somunun başı ve ucu vardır. Baş, somun için tanımlama işaretine ve pul için havşaya sahiptir. Bunları yerleştirirken ters sırada yerleştirmemeye dikkat edin.

► **Şek.17:** 1. Tanımlama işaretleri 2. Somun 3. Cıvata 4. Havşa 5. Pul

**ÖNEMLİ NOT:** Somun, cıvata ve pul birlikte döndüklerinde, somun fazla döndüğünde veya cıvata somun yüzeyinden çok fazla veya çok az çıkıntı yaptığında bunların hepsini tek seferde değiştirin.

**ÖNEMLİ NOT:** Kullanılan somun, cıvata ve pulu tekrar kullanmayın.

Cıvata uçları kesildikten sonra kalan cıvata uzunlukları aralığı, cıvata boyutu tarafından belirlenir. Aşağıdaki tabloya bakın ve kesme cıvataları tespit edilecek iş parçasının kalınlığına göre seçin.

Cıvata boyutu	Maksimum kalan uzunluk	Minimum kalan uzunluk
M16	20 mm	4,5 mm
M20	15 mm	5,5 mm
M22	14 mm	7 mm

► **Şek.18:** 1. Kalan uzunluk

**ÖNEMLİ NOT:** Farklı boyutlardaki cıvataların farklı maksimum ve minimum kalan uzunlukları olduğundan kalan uzunluğu yukarıdaki tabloya gösterilen aralıkta kalan cıvatalar kullanın.

**ÖNEMLİ NOT:** Aletin arıza yapmasına neden olabilecek, belirtilen aralığın dışında cıvatalar kullanmamaya dikkat edin.

## BAKIM

**⚠ DİKKAT:** Muayene ya da bakım yapmadan önce aletin kapalı ve batarya kartuşunun çıkarılmış olduğundan daima emin olun.

**ÖNEMLİ NOT:** Benzin, tiner, alkol ve benzeri maddeleri kesinlikle kullanmayın. Renk değişimi, deformasyon veya çatlaklar oluşabilir.

Aleti EMNİYETLİ ve ÇALIŞMAYA HAZIR durumda tutmak için önerimler, başka her türlü bakım ve ayarlamalar daima Makita yedek parçaları kullanılarak Makita yetkili servis merkezleri veya Fabrikanın Servis Merkezleri tarafından yapılmalıdır.

## Batarya siperi

**⚠ UYARI:** Batarya siperini çıkarmayın. Aleti, batarya siperi çıkarılmış veya hasarlı durumda kullanmayın. Batarya kartuşunun doğrudan darbe görmesi batarya arızasına neden olabilir ve yaralanma ve/veya yangına yol açabilir. Batarya siperi deforme olur veya hasar görürse onarım için yetkili servis merkezimize başvurun.

**⚠ DİKKAT:** Aleti asmak için batarya siperine askı takmayın.

**⚠ DİKKAT:** Omuz kayışını batarya siperine takmayın.

► **Şek.19:** 1. Batarya siperi 2. Batarya siperi tutucusu

## İSTEĞE BAĞLI AKSESUARLAR

**⚠ DİKKAT:** Bu aksesuarlar ve ek parçalar bu el kitabında belirtilen Makita aletiniz ile kullanılmak için tavsiye edilmektedir. Herhangi başka bir aksesuar ya da ek parça kullanılması insanlar için bir yaralanma riski getirebilir. Aksesuarları ya da ek parçaları yalnızca belirtilmiş olan kullanım amaçlarına uygun olarak kullanın.

Bu aksesuarlarla ilgili daha fazla bilgiye ihtiyaç duyar-sanız bulunduğunuz yerdeki yetkili Makita servisine başvurun.

Cıvata boyutu	Manşon	Uzunluk
M16	Dış manşon	35 mm
	İç manşon	36 mm
M20	Dış manşon	37 mm
	İç manşon	38 mm
M22	Dış manşon	39 mm
	İç manşon	39 mm
M22	Dış manşon	85 mm
	İç manşon	85 mm
5/8"	Dış manşon	35 mm
	İç manşon	36 mm
3/4"	Dış manşon	37 mm
	İç manşon	38 mm
3/4"	Dış manşon	83 mm
	İç manşon	84 mm

• Orijinal Makita batarya ve şarj aleti

**NOT:** Listedeki parçaların bazıları alet paketi içerisinde standart aksesuar olarak dahil edilmiş olabilir. Bunlar ülkeden ülkeye farklılık gösterebilir.





**Makita Europe N.V.** Jan-Baptist Vinkstraat 2,  
3070 Kortenberg, Belgium

**Makita Corporation** 3-11-8, Sumiyoshi-cho,  
Anjo, Aichi 446-8502 Japan

[www.makita.com](http://www.makita.com)

885624A998  
EN, FR, DE, IT, NL,  
ES, PT, DA, EL, TR  
20190406