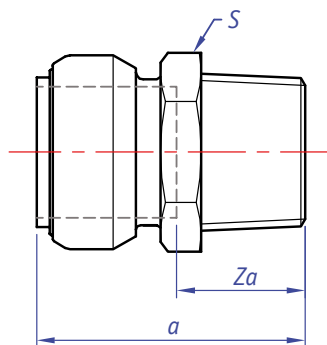


MANCHON MÂLE À VISSER

T243G



| Dimensions | Code article | a | Za | S | Quantité |
|------------|--------------|-----|----|----|----------|
| 10-3/8" | T243G1038 | 40 | 16 | 17 | 10 |
| 10-1/2" | T243G1012 | 40 | 16 | 21 | 10 |
| 12-3/8" | T243G1238 | 37 | 16 | 22 | 10 |
| 12-1/2" | T243G1212 | 40 | 13 | 25 | 10 |
| 14-3/8" | T243G1438 | 37 | 13 | 22 | 10 |
| 14-1/2" | T243G1412 | 37 | 14 | 22 | 10 |
| 15-3/8" | T243G1538 | 39 | 16 | 20 | 10 |
| 15-1/2" | T243G1512 | 38 | 14 | 24 | 10 |
| 16-3/8" | T243G1638 | 37 | 13 | 25 | 10 |
| 16-1/2" | T243G1612 | 47 | 23 | 42 | 10 |
| 18-1/2" | T243G1812 | 39 | 15 | 23 | 5 |
| 18-3/4" | T243G1834 | 43 | 19 | 28 | 5 |
| 22-3/4" | T243G2234 | 43 | 14 | 26 | 5 |
| 28-1" | T243G281 | 48 | 16 | 28 | 2 |
| 35-1"1/4 | T243G35114 | 83 | 26 | 43 | 1 |
| 42-1"1/2 | T243G42112 | 88 | 26 | 50 | 1 |
| 54-2" | T243G542 | 100 | 31 | 61 | 1 |