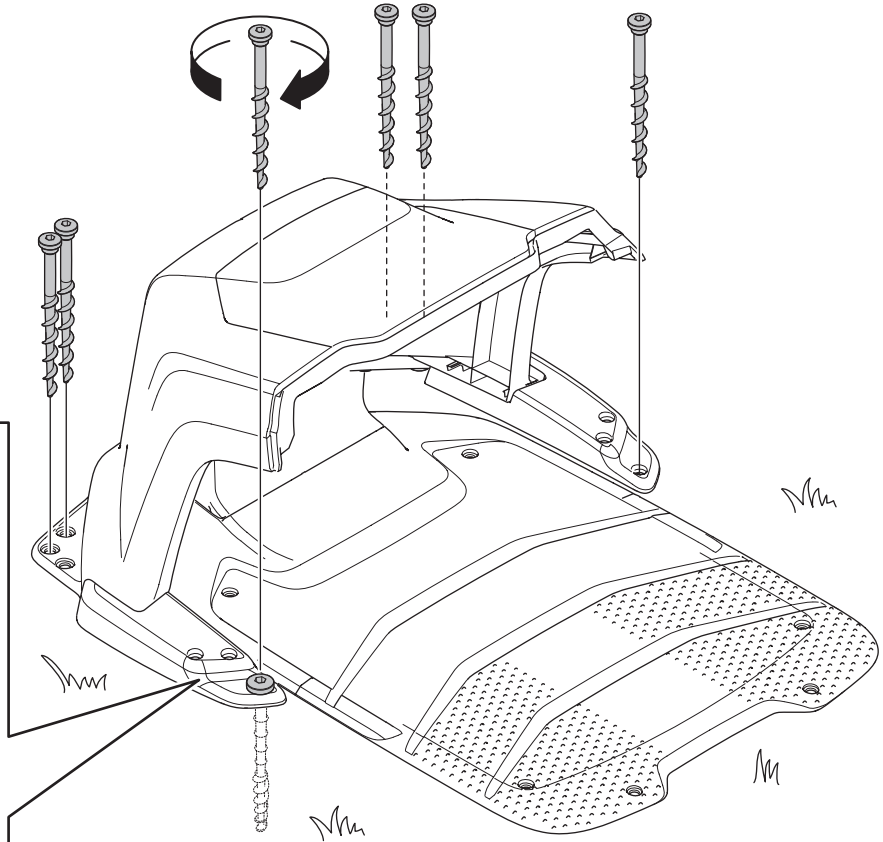
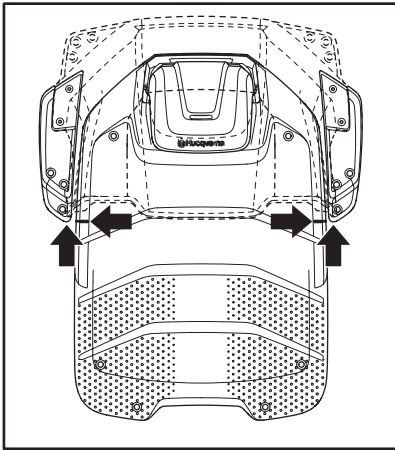
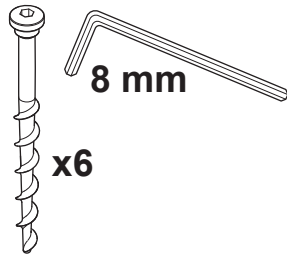
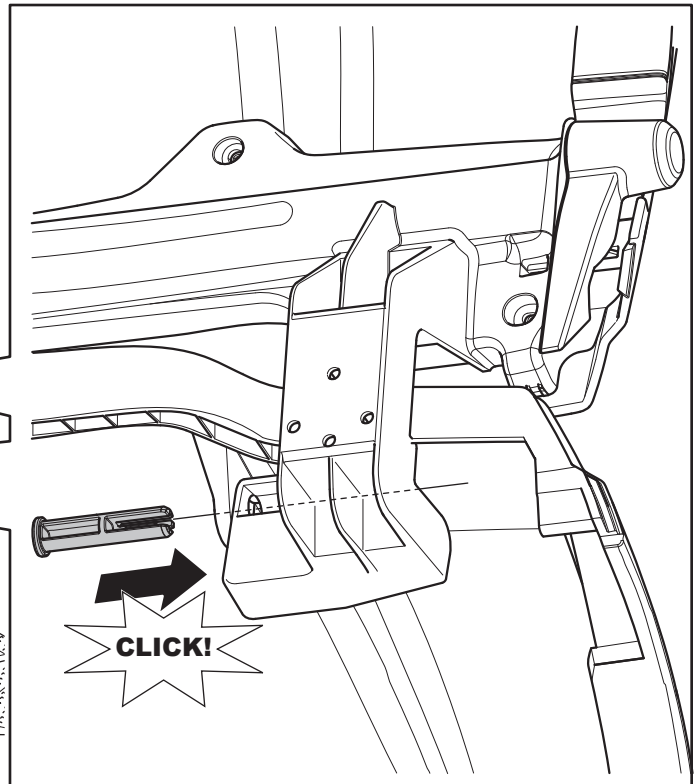
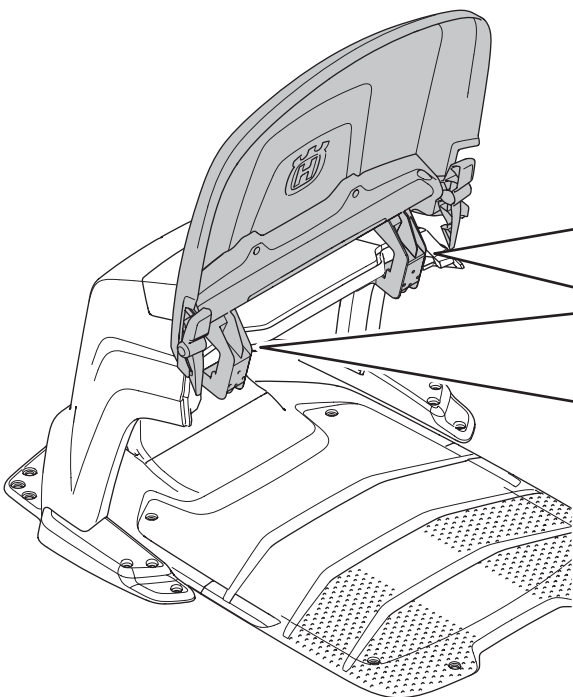
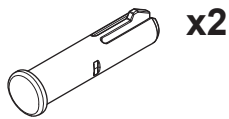
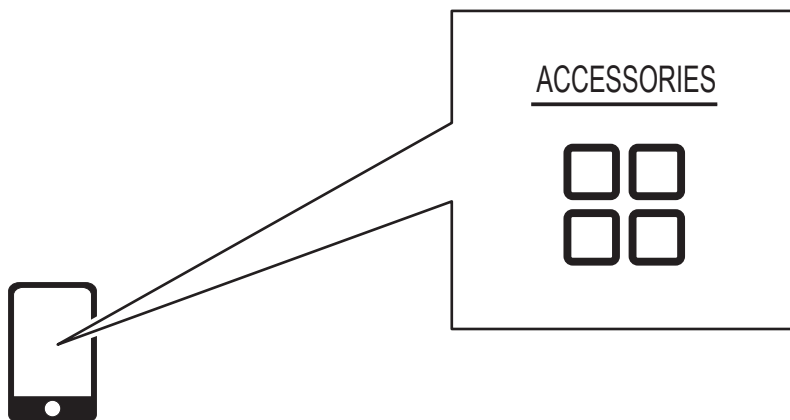
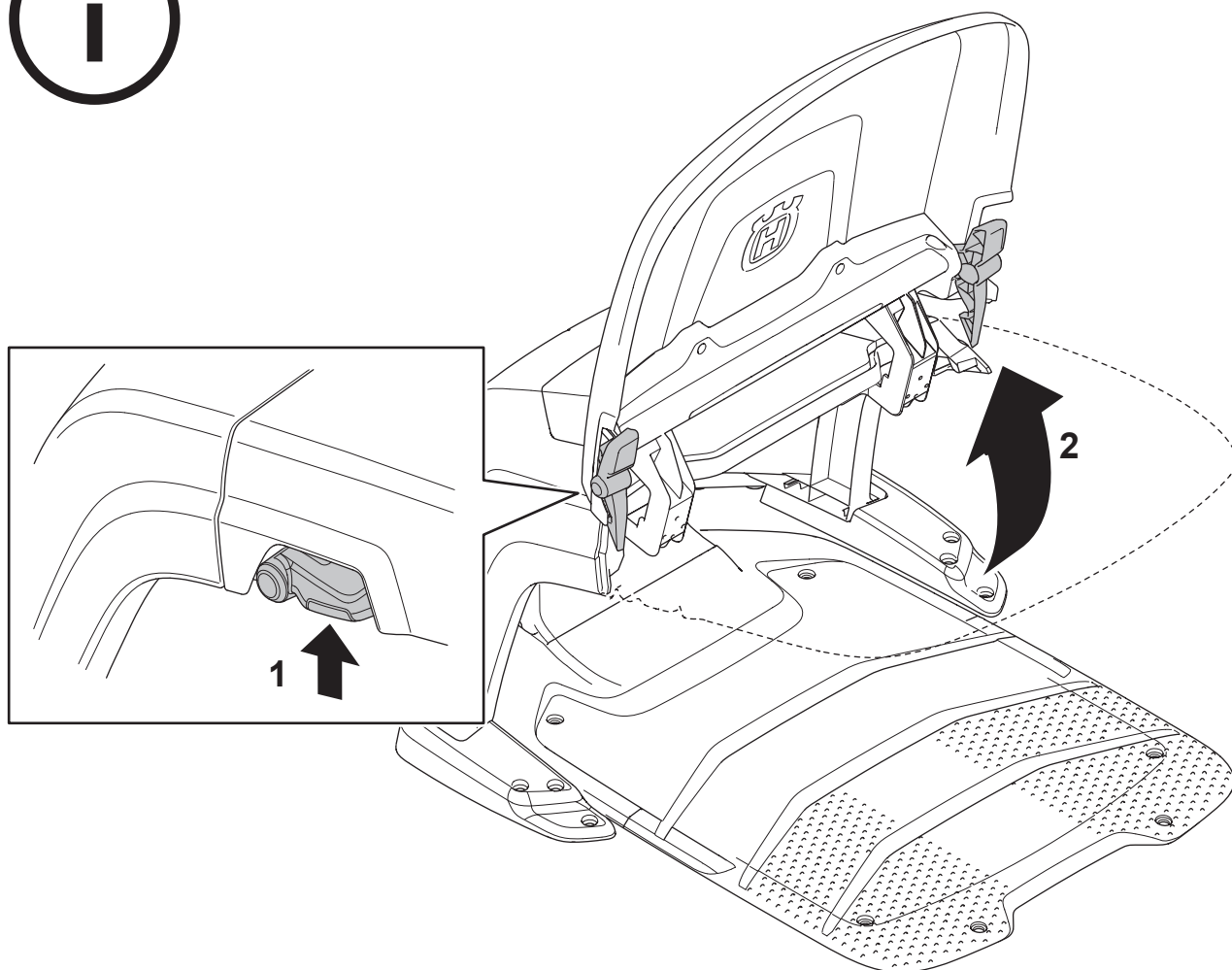


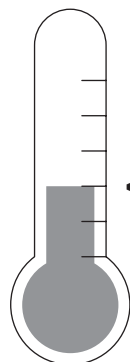
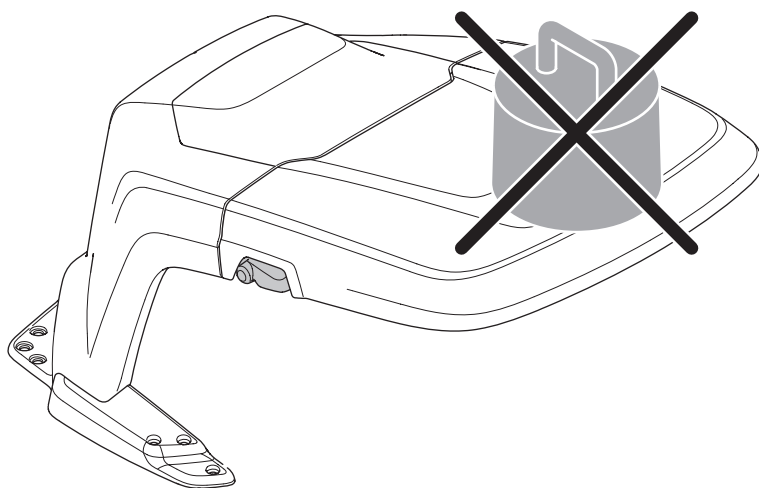
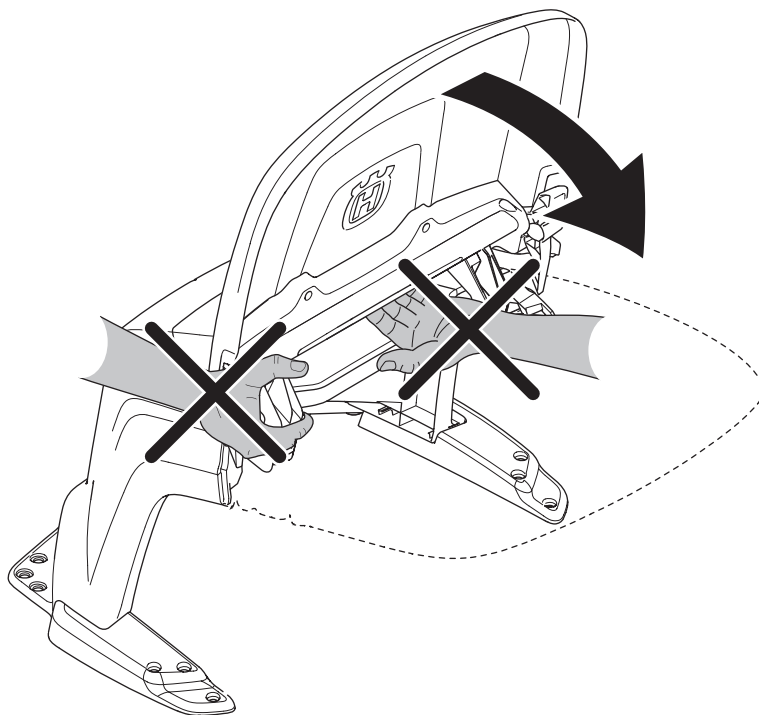
2



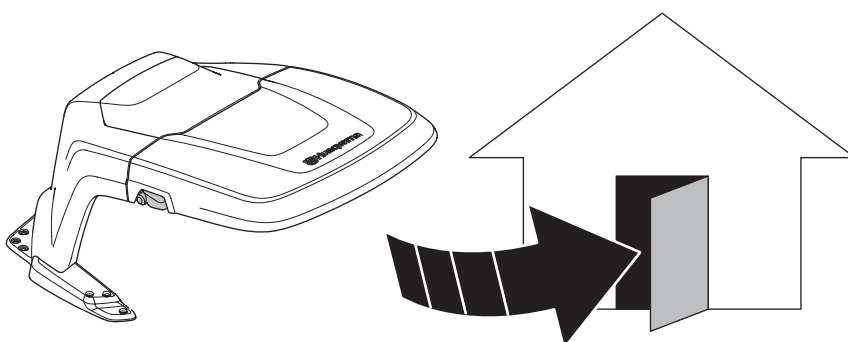
3

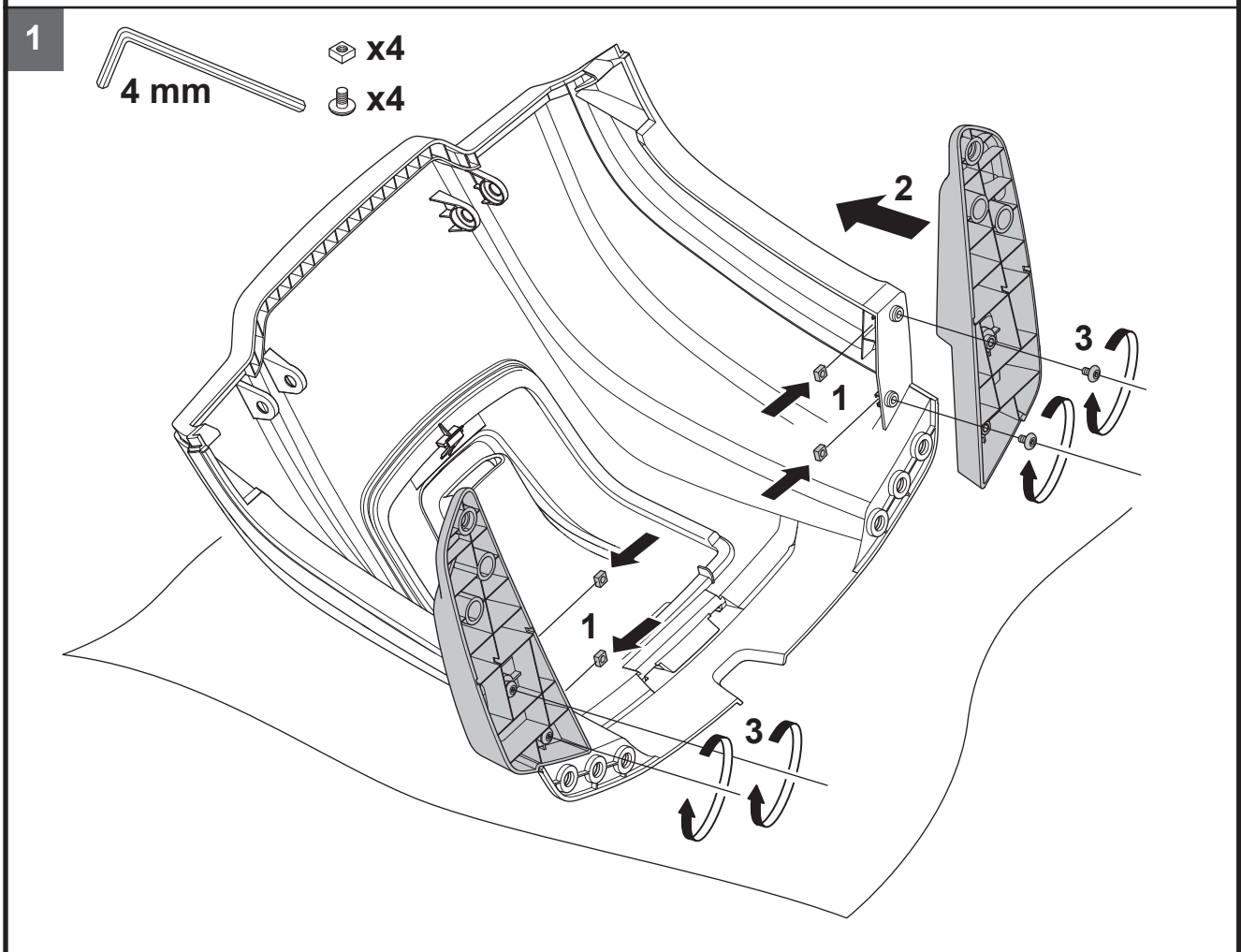
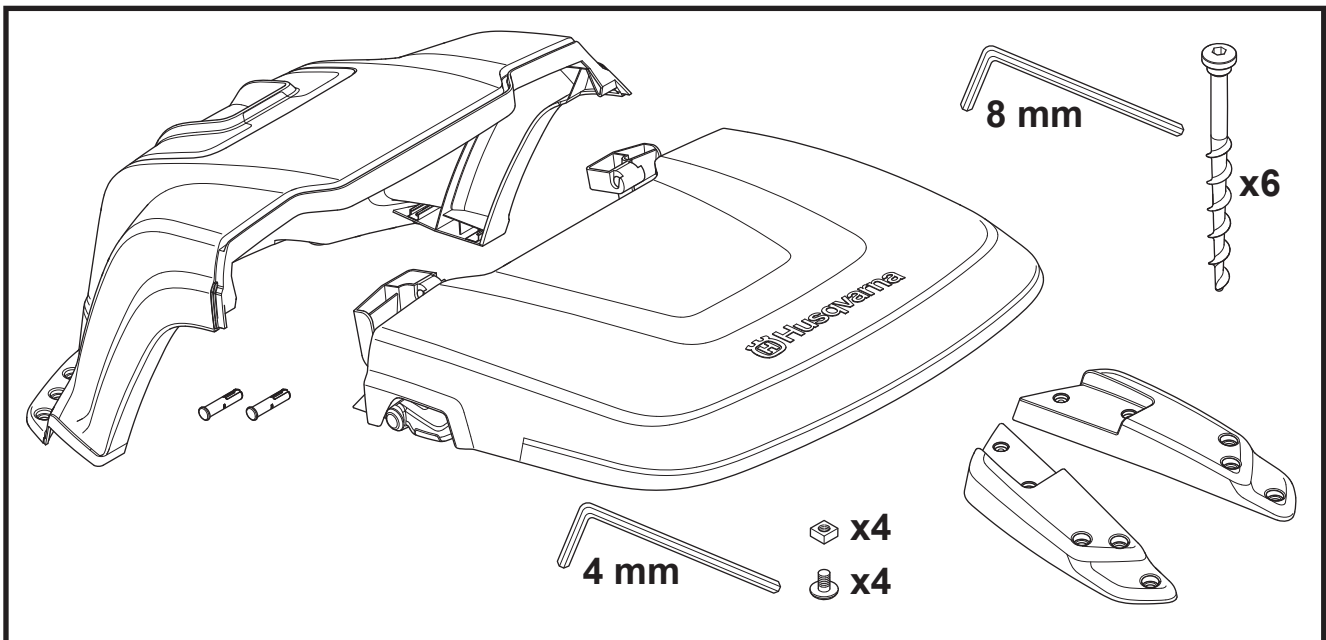




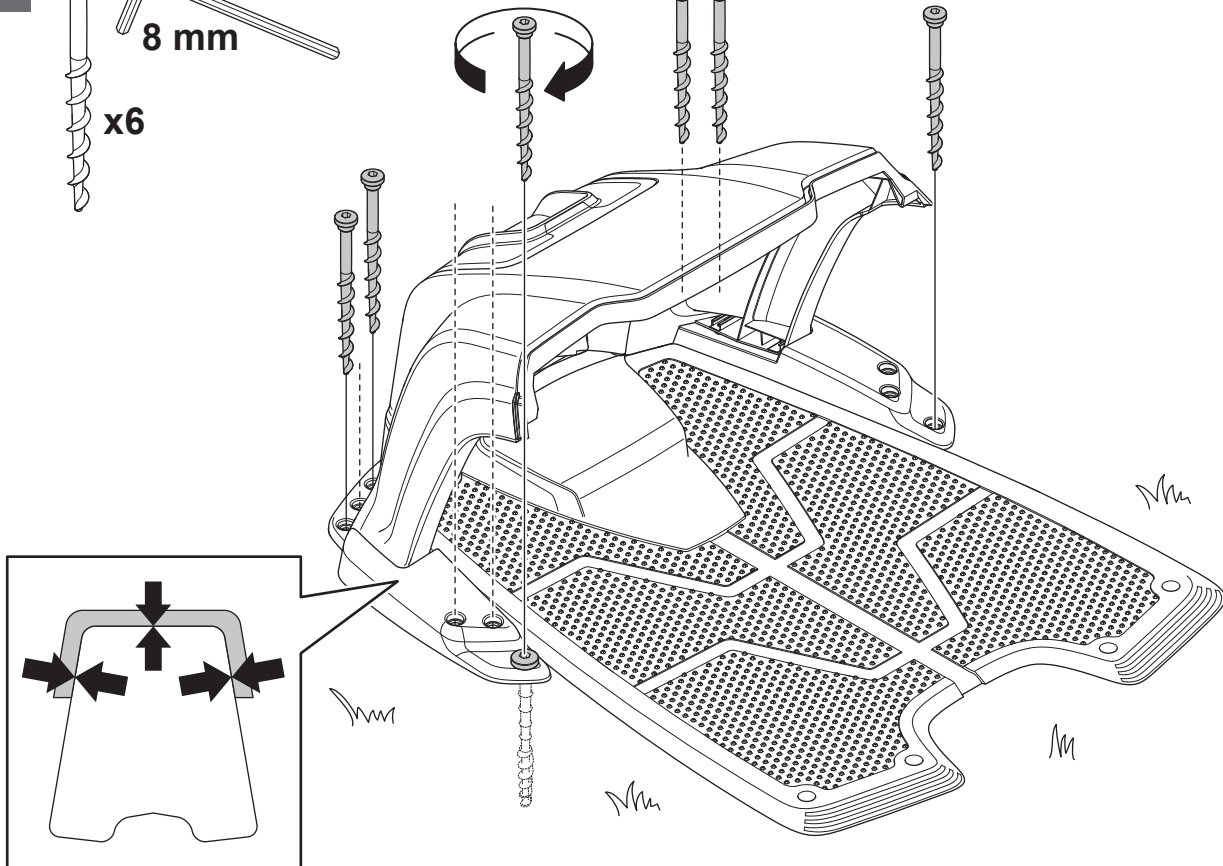
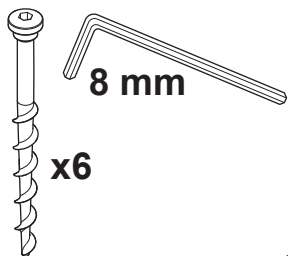


$<0^{\circ}\text{C}$

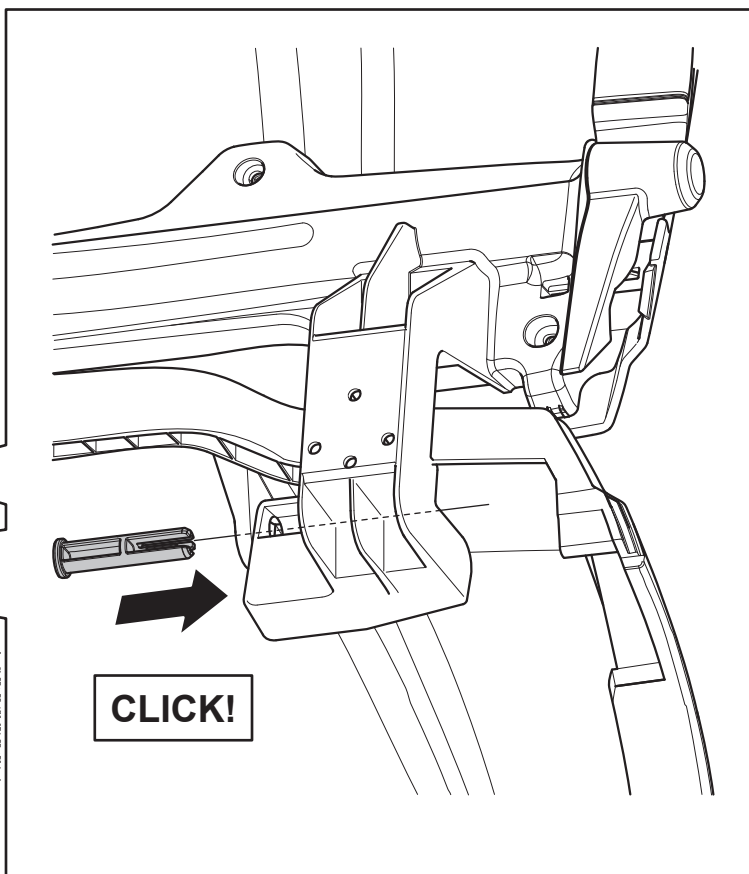
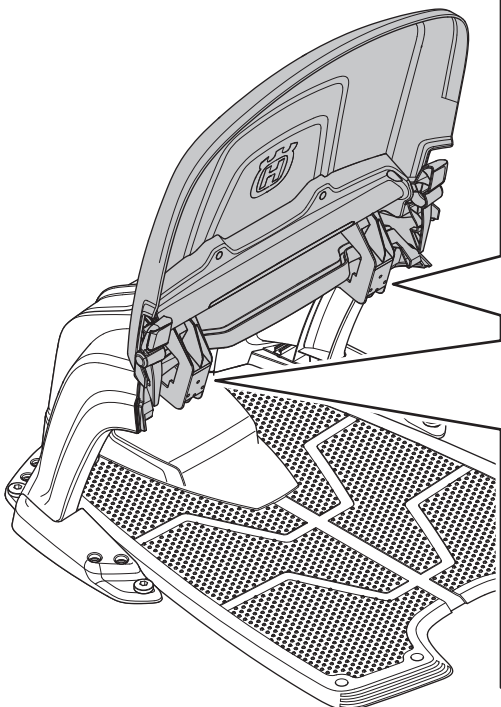
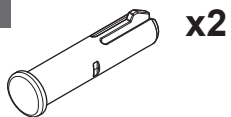


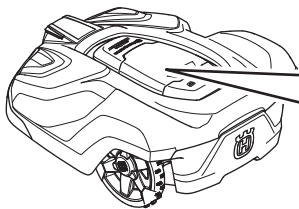
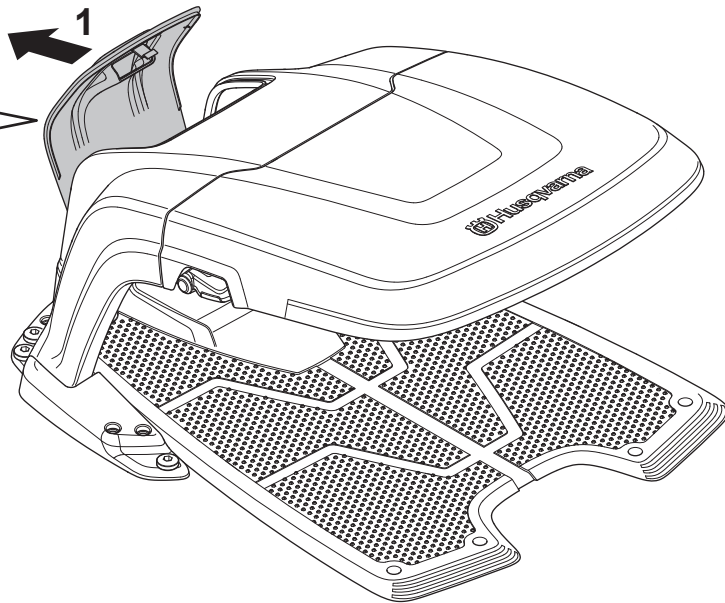
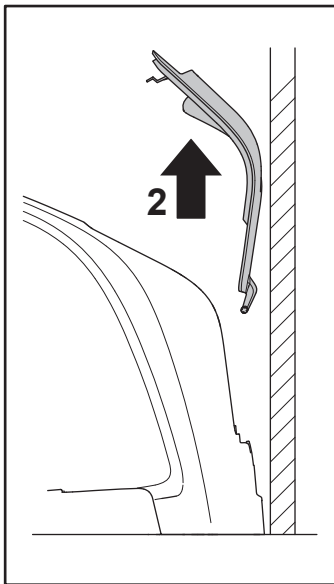
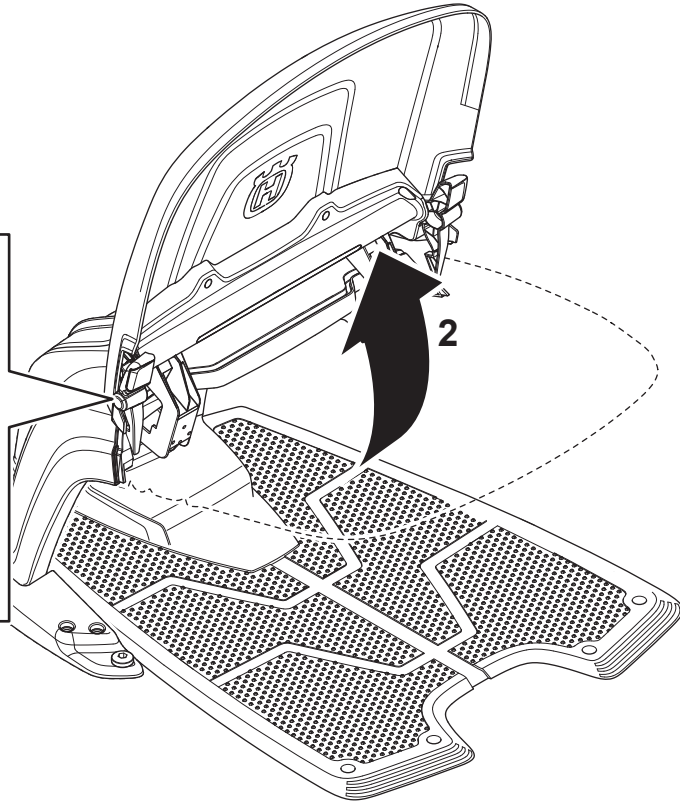
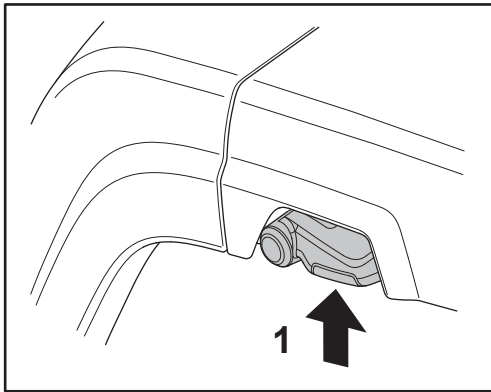


2

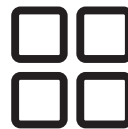


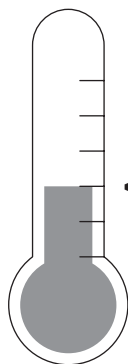
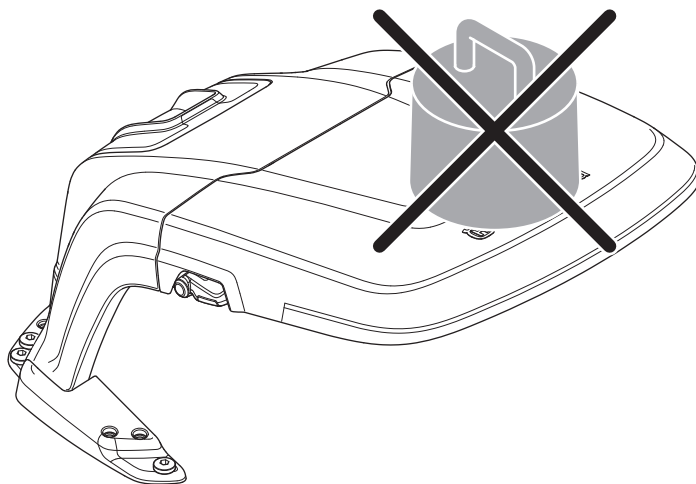
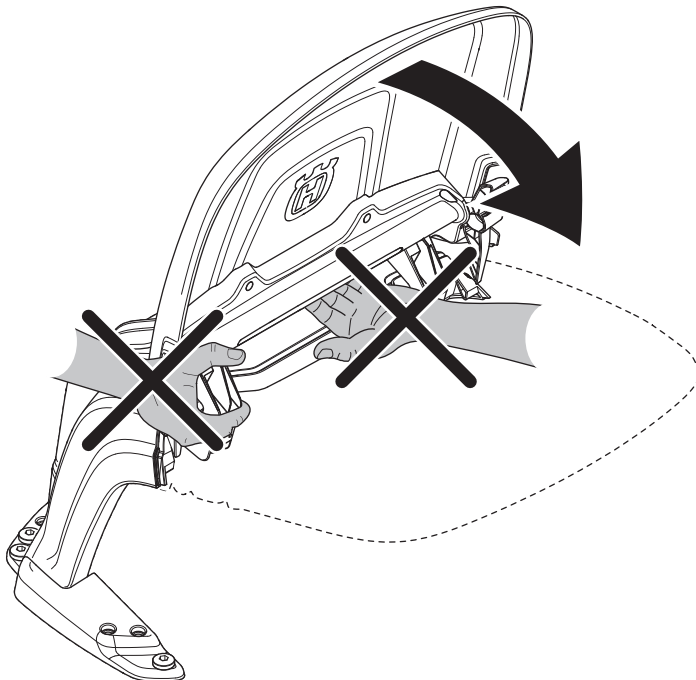
3





ACCESSORIES





<0°C

