

128<sup>±2</sup>  
[5<sup>1</sup>/<sub>32</sub> ± 5/64]

113  
[4<sup>7</sup>/<sub>16</sub>]

87,46  
[3<sup>7</sup>/<sub>16</sub>]

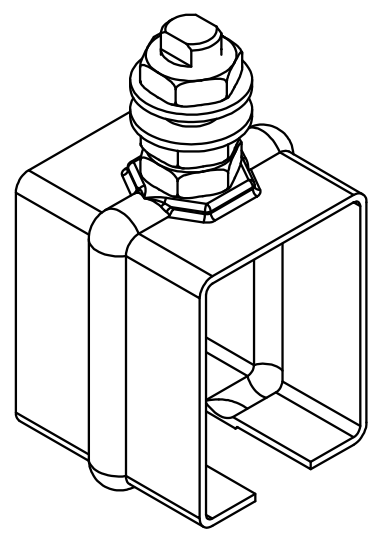
14  
[3<sup>5</sup>/<sub>64</sub>]

M20

86  
[3<sup>25</sup>/<sub>64</sub>]

Support enveloppant tige normale  
Matière: Acier

Fixing bracket with standard rod  
Material: Steel



Référence Item Nr: **8571**

Rail associé Combined track: **8570**