

A GUIDE TO GOOD DRILLING PRACTICE

To get the best possible performance from your new Magnetic Drilling Machine, please read this carefully BEFORE using the drill.

Instructions originales
Originele instructies



HB350

Magnetic Drilling Machine

WARNING:

For your personal safety, READ and UNDERSTAND before using.
SAVE THESE INSTRUCTIONS FOR FUTURE REFERENCE.



BEFORE YOU START

To help you get the best possible performance from your new Magnetic Drilling Machine, this guide contains simple, sensible pointers for the safe, effective, and long-term use of the equipment.

Please read it carefully before using the drill.

- Ensure that you have observed all the general and specific safety procedures.

Explanation of the pictograms on the specification plate of the Makita HB350



DANGER!

Indicates an imminent danger or risk to life and health of a general nature.



ELECTRICAL DANGER!

This means a direct pending danger or risk to life due to electricity.



CAUTION!

Indicates a possible danger or risk of slight injury or damage to property.



WEAR EYE & EAR PROTECTORS

Always wear eye and ear protection when using this drill.



USE SAFETY CHAIN!

For safety reasons securely attach the tool to the workpiece.



READ THE MANUAL

Read the manual before operating the machine.

For European Countries Only

WEEE compliance certificate:- on request

All magnetic drilling systems are fully compliant with RoHS regulations.

Due to the presence of hazardous components in the equipment, used electrical and electronic equipment may have a negative impact on the environment and human health.

Do not dispose of electrical and electronic appliances with household waste.

In accordance with the European Directive on waste Electrical and electronic equipment should be collected separately and delivered to a separate collection point for municipal waste, operating in accordance with the environmental protection regulations.

this is indicated by the symbol of the crossed out wheeled bin placed on the equipment.

CONTENTS

- HB350 Functional Description
- The Broach Cutting Concept
- General Power Tool Safety Instructions
- Optional Accessories
- Material and Cutting speeds
- Feeds and Speeds
- Fitting Safety Guard & Strap and Oil Bottle
- Fitting Cutters
- Panel Operation
- Motor diagram & parts list
- Stand diagram & parts list

FR Instructions françaises

ES Instrucciones en español

For Canada and the USA only: -

CSAus Declaration of Conformity

We the Makita Corporation as the responsible manufacturer declare that the following Makita machine:

Designation of Tool: *Magnetic Drilling Machine*
Model No./ Type: *HB350*

conforms to the following Directives:

CAN/CSA-C22.2 No. 745-2-32-95 (R2004)

UL 745-2-32 Ed.1 (R2004) (March 23, 1995)

CAN/CSA-C22.2 No. 745-1-95 (R1999)

UL 745-1Ed.1 (R1995) (March 23, 1995)



HB350 FUNCTIONAL DESCRIPTION

Cutter capacity	- 1.3/8"
Chuck Capacity	- 1/2"
No load speed	- 850 rpm
Power consumption	- 1050w
Clamping force	- 8000N (1800lb)
L x H x W	- 8.7/8" x 19.5/16" x 7.11/16"
Weight	- 26lb
Voltage	- 120v

INCLUDES: Integral coolant system, Warranty, Carrying case, Allen keys, Safety strap & Guard

- Due to our continuing programme of research and development, these specifications are subject to change without notice.

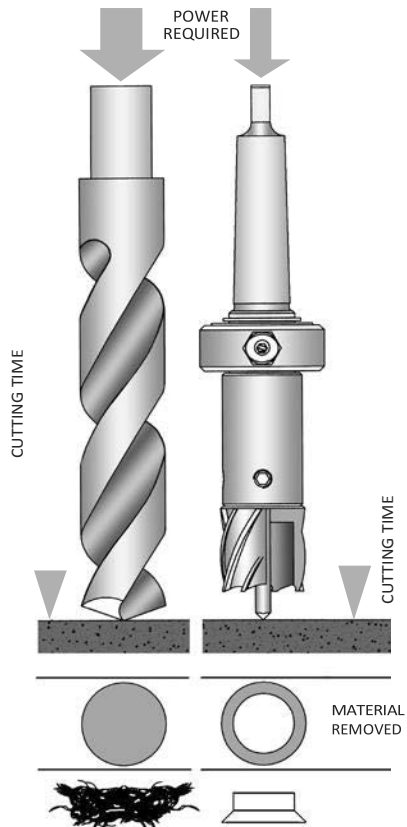


THE BROACH CUTTING CONCEPT

If you are unfamiliar with the use of annular (or broaching) cutters, take a few minutes to read this guide - you will benefit from the better performance and longer life of the tool if you understand the concept.

Annular cutters only cut material at the periphery of the hole, rather than converting the entire hole to shavings. As a result, the time and energy required to make the hole is lower than for a traditional twist drill.

The broaching capacity of a machine is therefore greater than the twist drill capacity. The slug ejected after the cut also has a higher scrap value than shavings.



GENERAL POWER TOOL SAFETY INSTRUCTIONS

. INTENDED USE

The intended use of this magnetic drill is to drill holes in ferrous metals. The magnet is used to hold the drill in place whilst the drill is functioning. It is designed for use in fabrication, construction, railways, petrochemical, and any other applications when drilling ferrous metal.

Any deviation from its intended use will not be covered by warranty.

. GENERAL SAFETY RULES

WARNING! Read and understand all instructions. Failure to follow all instructions listed below, may result in electric shock, fire and/or serious personal injury.

SAVE THESE INSTRUCTIONS.

Work area

1. **Keep your work area clean and well lit.** Cluttered benches and dark areas invite accidents.
2. **Do not operate power tools in explosive atmospheres, such as in the presence of flammable liquids, gases, or dust.** Power tools create sparks which may ignite the dust or fumes.
3. **Keep bystanders, children, and visitors away while operating a power tool.** Distractions can cause you to lose control

Electrical safety

1. **Grounded tools must be plugged into an outlet properly installed and grounded in accordance with all codes and ordinances. Never remove the grounding prong or modify the plug in any way. Do not use any adaptor plugs. Check with a qualified electrician if you are in doubt as to whether the outlet is properly grounded.** If the tools should electrically malfunction or break down, grounding provides a low resistance path to carry electricity away from the user.
2. **Avoid body contact with grounded surfaces such as pipes, radiators, ranges, and refrigerators.** There is an increased risk of electric shock if your body is grounded.
3. **Don't expose power tools to rain or wet conditions.** Water entering a power tool will increase the risk of electric shock.
4. **Do not abuse the cord. Never use the cord to carry the tools or pull the plug from an outlet. Keep cord away from heat, oil, sharp edges or moving parts. Replace damaged cords immediately.** Damaged cords increase the risk of electric shock.
5. **When operating a power tool outside, use an outdoor extension cord marked "W-A" or "W".** These cords are rated for outdoor use and reduce the risk of electric shock.

Personal safety

1. **Stay alert, watch what you are doing and use common sense when operating a power tool. Do not use tool while tired or under the influence of drugs, alcohol, or medication.** A moment of inattention while operating power tools may result in serious personal injury.
2. **Dress properly. Do not wear loose clothing or jewelry. Contain long hair. Keep your hair, clothing, and gloves away from moving parts.** Loose clothes, jewelry, or long hair can be caught in moving parts.
3. **Avoid accidental starting. Be sure switch is off before plugging in.** Carrying tools with your finger on the switch or plugging in tools that have the switch on invites accidents.
4. **Remove adjusting keys or switches before turning the tool on.** A wrench or a key that is left

attached to a rotating part of the tool may result in personal injury.

5. **Do not overreach. Keep proper footing and balance at all times.** Proper footing and balance enable better control of the tool in unexpected situations.
6. **Use safety equipment. Always wear eye protection.** Dust mask, non-skid safety shoes, hardhat, or hearing protection must be used for appropriate conditions.

Tool use and care

1. **Use clamps or other practical way to secure and support the workpiece to a stable platform.** Holding the work by hand or against your body is unstable and may lead to loss of control.
2. **Do not force tool. Use the correct tool for your application.** The correct tool will do the job better and safer at the rate for which it is designed.
3. **Do not use tool if switch does not turn it on or off.** Any tool that cannot be controlled with the switch is dangerous and must be repaired.
4. **Disconnect the plug from the power source before making any adjustments, changing accessories, or storing the tool.** Such preventive safety measures reduce the risk of starting the tool accidentally.
5. **Store idle tools out of reach of children and other untrained persons.** Tools are dangerous in the hands of untrained users.
6. **Maintain tools with care. Keep cutting tools sharp and clean.** Properly maintained tools, with sharp cutting edges are less likely to bind and are easier to control.
7. **Check for misalignment or binding of moving parts, breakage of parts, and any other condition that may affect the tools operation. If damaged, have the tool serviced before using.** Many accidents are caused by poorly maintained tools.
8. **Use only accessories that are recommended by the manufacturer for your model.** Accessories that may be suitable for one tool, maybe come hazardous when used on another tool.

Service

1. **Tool service must be performed only by qualified repair personnel.** Service or maintenance performed by unqualified personnel could result in a risk of injury.
2. **When servicing a tool, use only identical replacement parts. Follow instructions in the Maintenance section of this manual.** Use of unauthorized parts or failure to follow Maintenance Instructions may create a risk of electric shock or injury.

WARNING!

Always use safety chain. Mounting can release.

. MAINTENANCE

- Occasionally apply a few drops of oil to the rack toothing.
- The bearings of the feed shaft are self-lubricating and must not be greased.
- Grease the sliding surface of the carriage with MOLYCOTE grease.
- When not in use or being transported the unit should be kept in the case supplied.
- After use ensure unit is clean of swarf and dirt.
- Parts that are worn or damaged should be replaced immediately with genuine manufacturer's replacements.
- Ensure all cutting edges are sharp when in operation. Using blunt cutting tools may lead to an

overload of the motor.

- After every 30 minutes running, it is recommended that the machine is laid on its side to permit grease to run across the gear train.
- After repeated use, the cradle may become loose. This is remedied by adjusting the tension screws on the side of the body. Put 2.5mm hex wrench into head of cradle retaining nuts, using 8mm Spanner undo the locking nuts anti-clockwise, holding the hex wrench without moving grub screws.

Using the hex wrench gently tighten screws in series until the cradle moves freely in the slide but does not allow the motor to wobble.

When adjustment is complete re-tighten locking nuts clockwise, ensuring the grub screws do not move from their new position

IMPORTANT! – TO PREVENT DAMAGE TO THE CIRCUITRY, NEVER USE ELECTROMAGNETIC DRILLING MACHINES AND WELDING EQUIPMENT ON THE SAME WORKPIECE SIMULTANEOUSLY.

Optional Accessories

For details of options, either refer to the catalog or inquire at the store of purchase or a Makita sales office.

⚠ CAUTION: These accessories or attachments are recommended for use with your Makita tool specified in this manual. The use of any other accessories or attachments might present a risk of injury to persons. Only use accessory or attachment for its stated purpose.

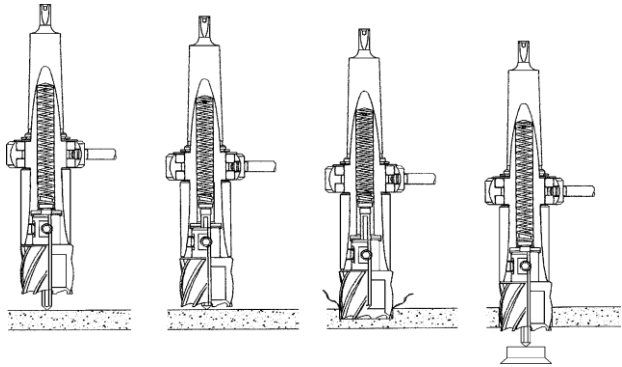
If you need any assistance for more details regarding these accessories, ask your local Makita Service Center.

- HSS Cutter
- TCT Cutter
- Drill chuck

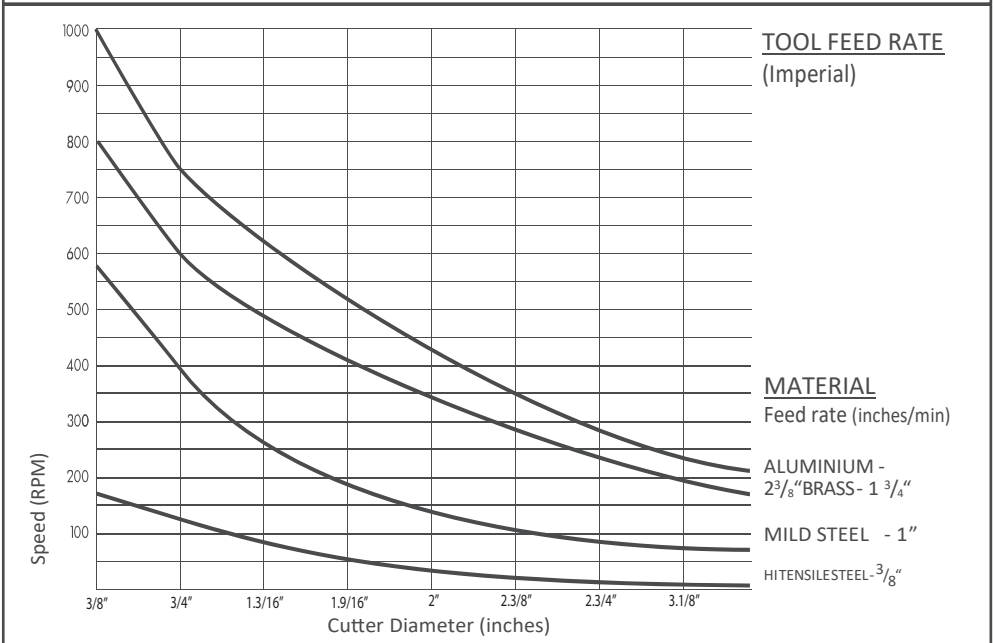
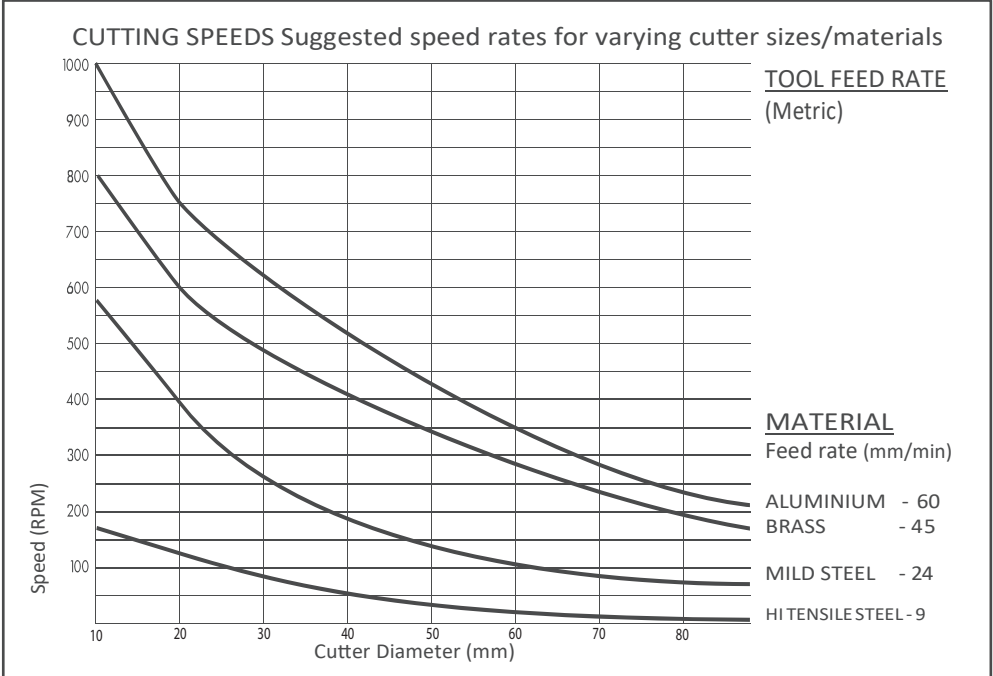
MATERIAL AND CUTTING SPEEDS

- The ease with which material can be drilled is dependent on several factors including tensile strength and abrasion resistance. Whilst hardness and/or strength is the usual criterion, wide variations in machinability can exist among material showing similar physical properties.
- The cutting conditions can be dependent upon requirements for tool life and surface finish and further restricted by the rigidity of the tool and work piece, lubrication, and machine power available.
- The harder the material the lower the cutting speed. Some materials of low hardness contain abrasive constituents leading to rapid cutting-edge wear at high speeds. Feed rates are governed by rigidity of set up, volume of material to be removed, surface finish and available machine power.

- It is preferable to set and maintain a constant surface speed (RPM) for a given material and vary the feed rate within defined limits.
- Machine feed is measured in inches or millimeters per minute and is the product of RPM x number of teeth in the cutter x feed per tooth. Too light or excessively high feed rates will both cause premature cutter failure. Heavy feeds on hard materials will cause chipping of the cutting edge and excessive heat generation.
- Slender and long shanked cutters are restricted in feed rate due to deflection, and wherever possible the largest and most robust tool must be used. This is important for harder materials. Steel up to 400 HB is the potential limit for conventional M2 HSS tools. Above 300 HB, cobalt alloy cutters should be considered for increased tool life. In softer grades of material, cobalt alloy cutters may give increased output by increasing speeds and feed rates by up to 50%. Tungsten Carbide cutters permit surface speeds and feed rates up to those for standard cutters.



FEEDS AND SPEEDS



PLEASE NOTE: These figures are quoted as a starting point. Actual performance will be dictated by material type, thickness and hardness, application, and cutter condition.

FITTING THE SAFETY GUARD

DRILL GUARD INSTRUCTIONS

Ensure drill unit is isolated from power supply.

Fit guard to drill as shown.

When drilling, the guard should always be in contact with the surface being drilled. As the drill is lowered, the guard will rise in relation to the drill.



FITTING THE OIL BOTTLE

The cutting oil bottle is held in a sprung bracket attached to the top of the drill body. Fit the bracket by removing one of the cap screws from the top plate and replace the bolt through the fixing lug on the bottle bracket, tightening the bolt enough to allow some radial movement of the bracket. The coolant tube is a push fit into the self-seal gland at the base of the tap and a similar fitting on the lower arbor bracket.

FITTING THE SAFETY CHAIN

A safety chain should be used wherever possible as a safety precaution in the event of a power failure releasing the magnet; particularly in situations where the machine is clamped onto a vertical surface or in an inverted position.

SAFETY CHAIN INSTRUCTIONS

When the machine has been clamped to the workpiece in the correct position for drilling, the chain should be fitted at a secure part of the drill. Then passed around a substantial part of the workpiece and fastened securely.

Once the cut is complete, the chain should be released, and the machine supported before the magnet is disengaged.

FITTING THE CUTTER

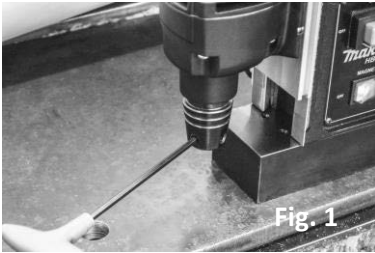


Fig. 1

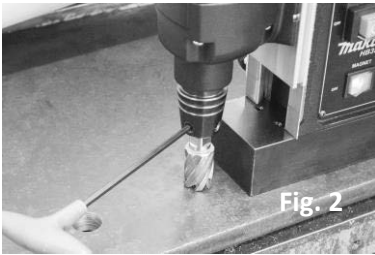


Fig. 2

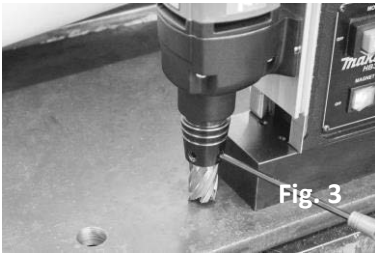


Fig. 3

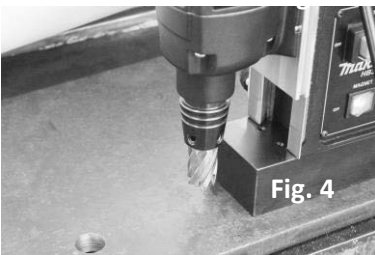


Fig. 4

Insertion of pilot pin

- The pilot pin is used to both center the cutter and to eject the slug on completion of the cut. It has a flat side to allow coolant to run down to reach the center of the cut where the heat is greatest. Slide the pin through the hole in the center of the cutter shank.

FITTING THE CUTTER

Fig 1.

To insert the cutter in the arbor, first loosen the grub screws, using an M5 hexagonal wrench. Ensure the grub screws are sufficiently loose enough to allow the shank of the cutter to enter freely.

Fig 2.

Ensure the drive flats on the cutter shank are fully aligned with the two grub screws in the machine arbor.

Fig 3.

Ensuring the shank of the cutter is fully inserted inside the arbor, tighten the grub screws fully to give the cutter a secure fitting inside the arbor.

Fig 4.

The cutter is now ready for use.

APPLYING COOLANT

- Cutting oil ensures longer cutter life and enables the slug to be ejected cleanly. A 500 ml bottle is included with every machine.
- Oil will be automatically delivered to the cutter when the cut commences.
- When cutting on vertical surfaces or upside down, cutting paste, gel or foam is recommended. It is best applied inside the cutter before drilling.
- Plug the machine into the power socket and the red LED on the electronic control panel will flash.

OPERATION



1) Power

Ensure power to the drill and the drill is safe to operate.



2) Magnet ON

To turn the magnet ON or OFF, use the magnet switch as pictured.



3) Motor ON

Press the GREEN Switch to turn the motor on. Proceed with cutting - following all safety guidelines...

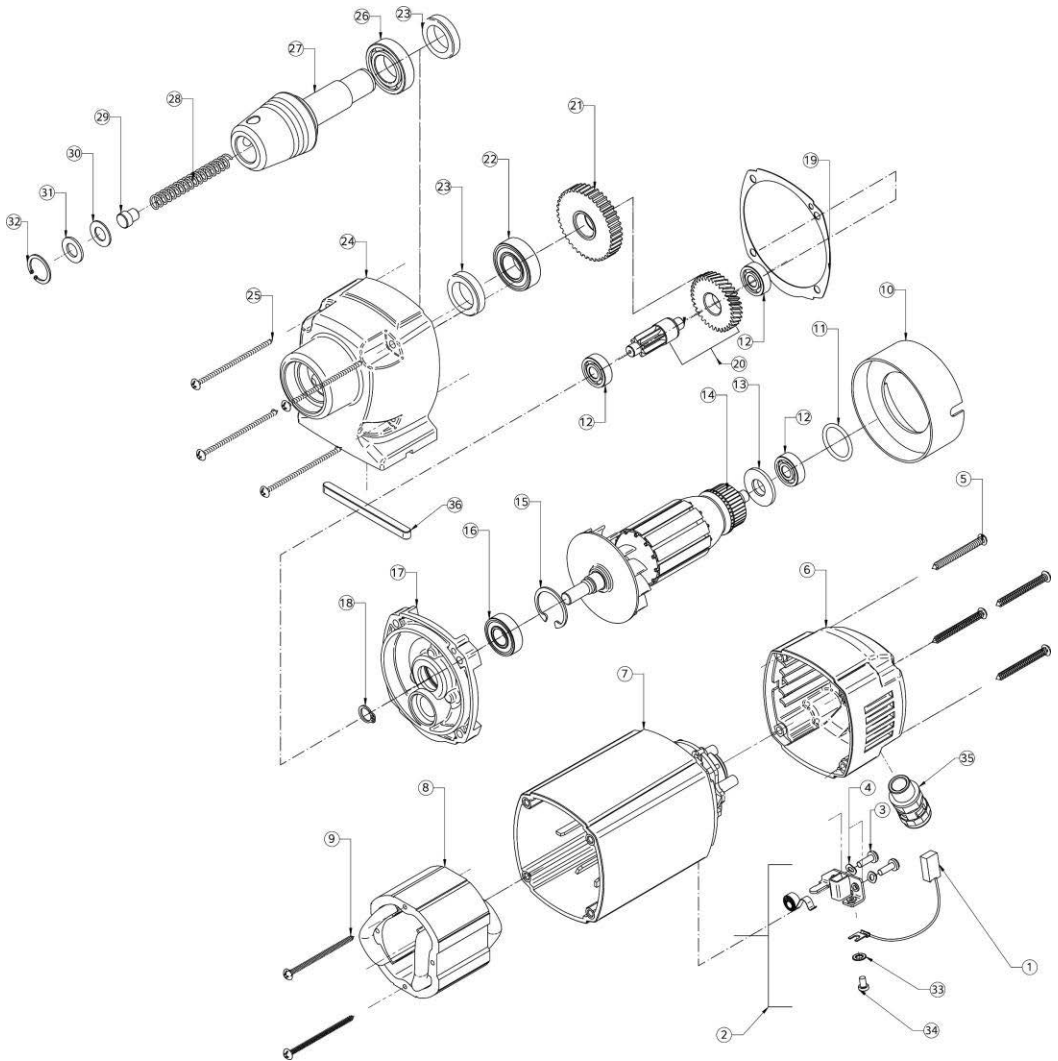


4) Motor OFF

To stop the motor press the RED switch. The motor will stop and the magnet will remain on.

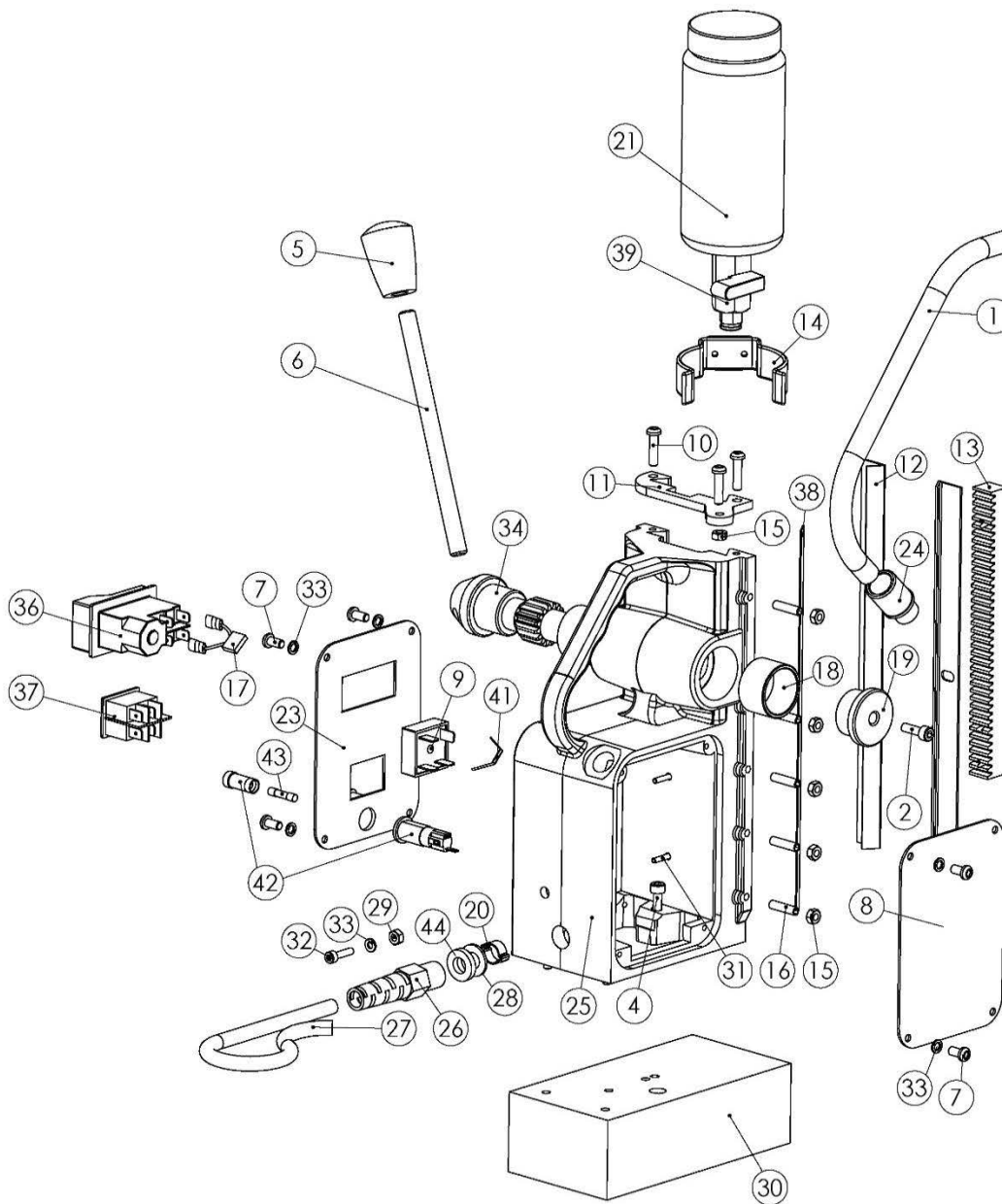
Go back to step 3 to start over.

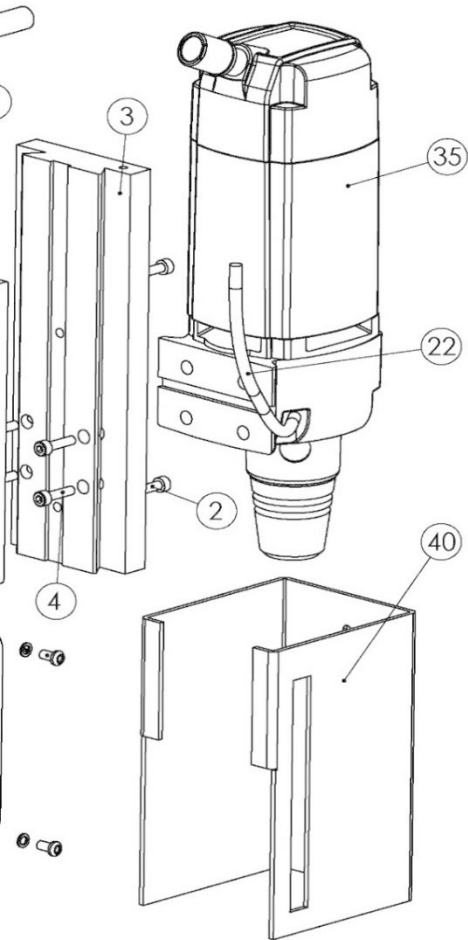
HB350 MOTOR PARTS



Nr.	Description	Qty	Part No
1	CARBON BRUSH ASSY. 6.3X10X18	2	EBD002
2	BRUSH HOLDER ASSY.	2	EBD001
3	SCREW M4 X 12	2	EBD003
4	SPRING WASHER M4	2	EBD004
5	PHILIPS HEAD SELF-TAP SCREW 4.8X45	4	EBD005
6	BACK COVER	1	EIB527
7	FIELD COIL CASING	1	EIB526
8	FIELD COIL ASSY 110V	1	EBD008-A
	FIELD COIL ASSY 230V	1	EBD008-B
9	PHILIPS HEAD SELF - TAP SCREW 3.9X60	2	EBD009
10	BAFFE	1	EBD010
11	O RING	1	EBD011
12	BALL BEARING (8-22-7) 608 2Z	3	UDC022
13	DUST WASHER	1	EBD012
14	ARMATURE ASSY 110V	1	EBD013-A
	ARMATURE ASSY 230V	1	EBD013-B
15	CIRCLIP 28MM X 1.2 B TYPE	1	EBD014
16	BALL BEARING (12-28-8) 6001 2Z	1	UDC023
17	GEAR CASE COVER	1	EBD015
18	CIRCLIP 10MM X 1 A TYPE	1	EBD016
19	GASKET	1	EBD017
20	INTER SHAFT ASSY.	1	EBD018
21	SPINDLE GEAR	1	EBD019
22	BALL BEARING (17-35-10) 6003 2RS	1	UDC004
23	OIL SEAL 20-30-7 B TYPE	2	EBD020
24	GEAR CASE	1	EBD021
25	PHILIPS HEAD SELF-TAP SCREW 4.8 X 60	4	EBD022
26	BALL BEARING 6904 2RS	1	EBD025
27	ARBOR BODY.	1	EIB528
28	ARBOR SPRING	1	EBD026
29	ARBOR EJECTION PLUG	1	EBD027
30	ARBOR WASHER	1	EBD028
31	ARBOR RUBBER WASHER	1	EBD029
32	ARBOR CIRCLIP	1	EBD030
33	CARBON BRUSH WASHER	2	EBD031
34	CARBON BRUSH FIXING SCREW	2	EBD032
35	PG9 PUSH FIT GLAND	1	40025
36	MOTOR LOCATING KEY	1	M1019

HB350 STAND PARTS





Nr.	Description	Qty	Part No
1	CONDUIT (large dia 12mm) - PMA-PCLT-108.50	1	M0443
2	M6 X 16 CAP HEAD SCREW	3	SC616CAP
3	SLIDE HB350 MAKITA	1	M1000
4	M6 X 25 CAP HEAD SCREW	7	SC625CAP
5	HANDLE KNOB (10mm KNOCK ON)	3	M0841
6	10MM X 130MM HANDLE (SMALL)	3	BD043
7	M4 X 6 BUTTON HEAD SCREW	8	SC46BUT
8	WARNING PLATE MAKITA HB350 CE JAPAN		M1002
	WARNING PLATE MAKITA HB350 CE BELGIUM		M1003
	WARNING PLATE MAKITA HB350 CSA JAPAN		M1014
	WARNING PLATE MAKITA HB350 UKCA UK		M1018
	WARNING PLATE MAKITA HB350 RCM AUSTRALIA		M1021
9	25A - BRIDGE RECTIFIER (395-4310)	1	M0401
10	M5 X 16 CAP HEAD SCREW	3	SC516CAP
11	OILFEED TOP BRACKET - (MB30 BODY)	1	M0811A
12	BRASS RAIL (MB30)	2	M0101
13	RACK (MB30)	1	M0831
14	OIL CUP RETAINING CLIP COMPLETE	1	10076C
15	M5 NYLOC	6	10085B
16	M5X25 KNURLED POINT GRUB SCREW	5	10085A
17	CAPACITOR	1	RD43118
18	BUSH (PINION) - 33 X 28 X 20 OILITE BUSH	2	M0081
19	PINION END CAP - DEEP	1	M0072
20	O CLIP 8-11 BOCLIP8/11	1	RD47179
21	D5000 OIL CUP ASSEMBLY	1	30046A
22	U-06040(30MC) 6MM X4MM CLEAR POLYURETHANE TUBE	1	BD029
23	MAKITA HB350 CONTROL PANEL PLATE	1	M1001
24	M16 PUSH FIT GLAND - PMA BVND-M16DGT	1	40026
25	MB30 BODY BLACK	1	M0001BLK
26	M16 PIGTAIL GLAND COMPLETE WITH LOCK NUT - BBSM 16	1	10231
27	USA CABLE - 14 GAUGE - 3M - AB-CAB-870		CABL03
	EUROPEAN CABLE C/W MOULD PLUG - AB-CAB-876 - 3M		CABL04
	MAKITA BRAZIL CABLE C/W PLUG 220V - 3M		CABL05
	3MTR-110V MAINS LEAD BLACK C/W IND PLUG		CABL06
	ARGENTINA CABLE C/W PLUG - 230V - 3M		CABL08
	AUS/NZ-3M MAINS CABLE C/W MOULDED PLUG-AB-CAB-866		CABL09
28	M8 WASHER FOR ARBOR INTERNAL	1	RD47187
29	M4 BRASS NUT	1	NUT-M4-B
30	HB350 MAGNET BASE	1	M1020
31	M4 X 6 SLOTTED CSK MC SCREW - BZP	5	SC46CSK
32	M4 X 12 CSK MC SCREW - BRASS	1	SC412CSK-B
33	M4 SHAKE PROOF WASHER-BZP-WSH-227-004-ZC221	9	SPWR-M4
34	PINION - (SMALL)	1	M0041
35	EIBENSTOCK BHM35 DRILL UNIT - 110V MAKITA BLUE		EIB522
	EIBENSTOCK BHM35 DRILL UNIT - 230V MAKITA BLUE		EIB523
36	DRILL STOP/START SWITCH - 110V - KJD17F/120V/50HZ -		NCP001
	DRILL STOP/START SWITCH - 230V - KJD17F-230V-50HZ-		NCP002
37	MAGNET SWITCH - NCP PANEL - B418CG00000	1	NCP006
38	G.F.S. (MB30)	1	M0441
39	1/8 BSP-6MM BLACK PUSH FIT	1	50015
40	GUARD TO SUIT NEW UNI 1 MBQ35N/EQ35N/EBM35	1	VISO18
41	318-565 VARISTOR (V150LA10A)		W18XC522
	VARISTOR HIGHSURGE 20MM 275 VRMS		W18XC521
42	248-447 FUSE HOLDER	1	W18XC511
43	2A FUSE (RAPID 26-2469)	1	W18XC512
44	WASHER SMBK1869836HPU	1	UOD009

AVANT DE COMMENCER

Pour vous aider à tirer le meilleur parti de votre nouvelle perceuse magnétique, ce guide donne des conseils simples et judicieux pour assurer une utilisation sûre, efficace et durable de l'équipement.

Veillez lire attentivement ce qui suit avant d'utiliser la perceuse.

- Assurez-vous de respecter toutes les procédures de sécurité générales et spécifiques.

Explication des pictogrammes figurant sur la plaque signalétique de la perceuse Makita HB350



DANGER !

Indique un danger ou un risque imminent relatif à la survie et à la santé de manière générale.



DANGER ÉLECTRIQUE !

Indique un danger ou un risque imminent ou direct relatif à la survie et dû à l'électricité.



ATTENTION !

Indique un danger ou un risque éventuel de blessure légère ou d'endommagement de l'équipement.



PORTER DES PROTECTIONS OCULAIRES ET AUDITIVES

Portez toujours des protections oculaires et auditives lorsque vous utilisez cette perceuse.



UTILISER LA CHAÎNE DE SÉCURITÉ !

Pour des raisons de sécurité, fixez solidement l'outil à la pièce.



LIRE LE MANUEL

Lisez le manuel avant d'utiliser la machine.

Pour les pays européens uniquement

Certificat de conformité DEEE : sur demande

Tous les systèmes de perçage magnétique sont entièrement conformes à la réglementation RoHS.

En raison de la présence de composants dangereux, les équipements électriques et électroniques usagés peuvent avoir un impact négatif sur l'environnement et la santé humaine.

Ne jetez pas les appareils électriques et électroniques avec les ordures ménagères.

Conformément à la directive européenne sur les déchets, les équipements électriques et électroniques doivent être collectés séparément et amenés dans un point de collecte distinct pour les déchets municipaux, en vertu des réglementations de protection de l'environnement.

Ceci est indiqué par le symbole de poubelle barrée figurant sur l'équipement.

SOMMAIRE

Description fonctionnelle de la perceuse HB350

Le concept de coupe à la broche

Instructions générales de sécurité pour les outils électriques

Accessoires en option

Matériaux et vitesses de coupe

Avances et vitesses

Installation d'une protection, d'une sangle de sécurité et d'un flacon d'huile

Installation des fraises

Fonctionnement du panneau

Schéma et liste de pièces du moteur

Schéma et liste de pièces détachées

FR Instructions françaises

ES Instrucciones en español

Pour le Canada et les États-Unis uniquement : -

Déclaration de conformité CSAus

Nous soussignés, Makita Corporation, en tant que fabricant responsable, déclarons que la machine Makita suivante :

Désignation de l'outil : *Perceuse magnétique*

Référence/Type : *HB350*

est conforme aux Directives suivantes :

CAN/CSA-C22.2 No. 745-2-32-95 (R2004)

UL 745-2-32 Ed.1 (R2004) (23 mars 1995)

CAN/CSA-C22.2 No. 745-1-95 (R1999)

UL 745-1Ed.1 (R1995) (23 mars 1995)



DESCRIPTION FONCTIONNELLE DE LA PERCEUSE HB350

Capacité de coupe	- 1,3/8"
Capacité du mandrin	- 1/2"
Vitesse à vide	- 850 tr/min
Consommation d'énergie	- 1 050 w
Force de serrage	- 8 000 N (1 800 lb)
L x H x l	- 8,7/8" x 19,5/16" x 7,11/16"
Poids	- 26 lb
Tension	- 120 V

INCLUT : Système de refroidissement intégré, garantie, boîtier de transport, clés Allen, sangle de sécurité et protection

- En raison de notre programme continu de recherche et de développement, ces spécifications sont susceptibles d'être modifiées sans préavis.

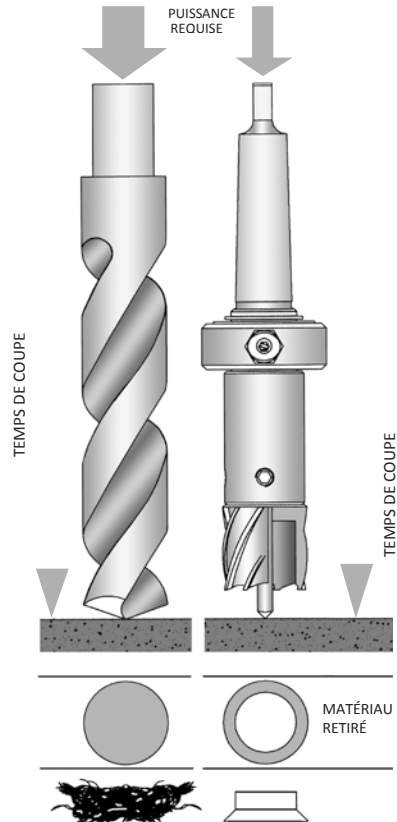


LE CONCEPT DE COUPE À LA BROCHE

Si vous n'êtes pas familiarisé avec l'utilisation de fraises à carotter (ou à brocher), prenez quelques minutes pour lire ce guide. Vous atteindrez de meilleures performances et une plus longue durée de vie de l'outil si vous comprenez le concept.

Les fraises à carotter ne coupent le matériau qu'à la périphérie du trou, plutôt que de transformer le trou entier en copeaux. Par conséquent, le temps et l'énergie nécessaires pour réaliser le trou sont moins importants qu'avec un foret hélicoïdal traditionnel.

La capacité de brochage d'une machine est donc supérieure à la capacité d'un foret hélicoïdal. Le fragment indésirable éjecté après la coupe présente également une valeur de rebut plus importante que les copeaux.



INSTRUCTIONS GÉNÉRALES DE SÉCURITÉ POUR LES OUTILS ÉLECTRIQUES

. UTILISATION PRÉVUE

Cette perceuse magnétique est conçue pour percer des trous dans des métaux ferreux. La partie magnétique sert à maintenir la perceuse en place pendant le fonctionnement. La perceuse est conçue pour être utilisée dans la fabrication, la construction, les chemins de fer, la pétrochimie et toute autre application de perçage de métaux ferreux.

Les écarts par rapport à l'utilisation prévue ne sont pas couverts par la garantie.

. RÈGLES GÉNÉRALES DE SÉCURITÉ

AVERTISSEMENT ! Assurez-vous de lire et comprendre l'ensemble des instructions. Le non-respect des instructions énumérées ci-dessous peut entraîner un choc électrique, un incendie et/ou des blessures corporelles graves.

CONSERVEZ CES INSTRUCTIONS.

Zone de travail

1. **Gardez la zone de travail propre.** Les zones encombrées et sombres sont propices aux accidents.
2. **N'utilisez pas d'outils électriques dans des atmosphères explosives, par exemple en présence de liquides, de gaz ou de poussières inflammables.** Les outils électriques créent des étincelles susceptibles d'enflammer les poussières ou les fumées.
3. **Éloignez tout individu, enfant ou visiteur lorsque vous utilisez un outil électrique.** Les distractions peuvent vous faire perdre le contrôle

Sécurité électrique

1. **Les outils mis à la terre doivent être branchés sur une prise de courant installée et mise à la terre conformément à tous les codes et règlements applicables. Ne retirez jamais la broche de mise à la terre et ne modifiez jamais la prise de quelque manière que ce soit. N'utilisez pas de prises d'adaptation. En cas de doute, consultez un électricien qualifié pour savoir si la prise de courant est correctement mise à la terre.** En cas de dysfonctionnement ou de panne électrique de l'outil, la mise à la terre offre un chemin de faible résistance pour éloigner l'électricité de l'utilisateur.
2. **Évitez tout contact entre votre corps et des surfaces mises à la terre telles que les tuyaux, les radiateurs, les cuisinières et les réfrigérateurs.** Le risque de choc électrique est plus élevé si votre corps est mis à la terre.
3. **N'exposez pas les outils électriques à la pluie ou à l'humidité.** L'eau qui pénètre dans un outil électrique augmente le risque de choc électrique.
4. **Utilisez correctement le câble. Ne tenez jamais l'outil par le câble et ne tirez jamais sur le câble pour débrancher l'outil d'une prise. Éloignez le câble des sources de chaleur, de l'huile, des arêtes vives ou des pièces mobiles. Remplacez immédiatement les câbles endommagés.** Les câbles endommagés augmentent le risque de choc électrique.
5. **Lorsque vous utilisez un outil électrique à l'extérieur, utilisez une rallonge extérieure portant l'inscription "W-A" ou "W".** Ces rallonges sont conçues pour une utilisation en extérieur et réduisent le risque de choc électrique.

Sécurité personnelle

1. **Restez vigilant, prêtez attention à votre travail et faites preuve de bon sens lorsque vous utilisez un outil électrique. N'utilisez pas d'outils lorsque vous êtes fatigué ou sous l'influence de drogues, d'alcool ou de médicaments.** Lors de l'utilisation d'un outil électrique, un seul moment d'inattention peut entraîner des blessures graves.
2. **Habillez-vous correctement. Ne portez pas de vêtements amples ou de bijoux. Attachez vos cheveux s'ils sont longs. N'approchez pas vos cheveux, vos vêtements et vos gants des pièces mobiles.** Les vêtements amples, les bijoux ou les cheveux longs peuvent se coincer dans les pièces mobiles.

- 3. Évitez tout démarrage accidentel. Assurez-vous que l'interrupteur est en position d'arrêt avant de brancher l'outil.** Le fait de tenir un outil avec le doigt sur l'interrupteur ou de brancher un outil dont l'interrupteur est en position de marche est propice aux accidents.
- 4. Retirez les clés de réglage ou les clés à molette avant de mettre l'outil en marche.** Une clé de réglage ou une clé à molette qui reste fixée à une partie rotative de l'outil peut entraîner des blessures.
- 5. N'utilisez pas l'outil en vous penchant trop en avant. Gardez toujours un bon équilibre et les deux pieds au sol.** Un bon équilibre permet de mieux contrôler l'outil dans des situations inattendues.
- 6. Utilisez des équipements de sécurité. Portez toujours une protection oculaire.** Selon les conditions, il convient d'utiliser un masque anti-poussière, des chaussures de sécurité antidérapantes, un casque ou une protection auditive.

Utilisation et entretien de l'outil

- 1. Utilisez des pinces ou tout autre élément pratique pour fixer la pièce à usiner à une plateforme stable et pour la soutenir.** Le soutien de la pièce à la main ou contre votre corps n'est pas suffisant et peut entraîner une perte de contrôle.
- 2. Ne forcez pas sur l'outil. Utilisez l'outil approprié à votre application.** L'outil approprié fonctionnera mieux et de manière plus sûre au rythme pour lequel il a été conçu.
- 3. N'utilisez pas l'outil si l'interrupteur ne permet pas de le mettre en marche et de l'éteindre.** Les outils qui ne peuvent pas être contrôlés au moyen de l'interrupteur sont dangereux et doivent être réparés.
- 4. Débranchez la prise de la source d'alimentation avant d'effectuer des réglages, de changer d'accessoires ou de ranger l'outil.** Ces mesures préventives de sécurité réduisent le risque de démarrage accidentel de l'outil.
- 5. Rangez les outils inutilisés hors de portée des enfants et des personnes non qualifiées.** Les outils sont dangereux entre les mains d'utilisateurs non qualifiés.
- 6. Entretenez les outils avec soin. Gardez les outils de coupe bien aiguisés et propres.** Les outils correctement entretenus et dont les arêtes de coupe sont tranchantes sont moins susceptibles de se bloquer et plus faciles à contrôler.
- 7. Vérifiez qu'aucune pièce mobile n'est mal alignée, grippée ou brisée et assurez-vous qu'aucun autre problème ne risque d'affecter le fonctionnement de l'outil. Si l'outil est endommagé, faites-le entretenir avant de l'utiliser.** De nombreux accidents sont provoqués par des outils mal entretenus.
- 8. N'utilisez que les accessoires recommandés par le fabricant pour votre modèle.** Les accessoires adaptés à un certain outil peuvent être dangereux s'ils sont utilisés avec un autre outil.

Entretien

- 1. L'entretien de l'outil ne doit être effectué que par un personnel qualifié.** Si l'entretien ou la maintenance est effectué par un personnel non qualifié, cela peut entraîner un risque de blessure.
- 2. Lors de l'entretien d'un outil, n'utilisez que des pièces de rechange identiques. Suivez les instructions de la section « Entretien » de ce manuel.** L'utilisation de pièces non autorisées ou le non-respect des instructions d'entretien peut entraîner un risque de choc électrique ou de blessure.

AVERTISSEMENT !

Utilisez toujours la chaîne de sécurité. L'installation peut se relâcher.

ENTRETIEN

- Appliquez de temps en temps quelques gouttes d'huile sur la denture de la crémaillère.
- Les roulements de l'arbre d'avance sont autolubrifiants et ne doivent pas être graissés.
- Lubrifiez la surface de glissement du chariot avec de la graisse MOLYCOTE.
- Lorsqu'il n'est pas utilisé ni transporté, l'appareil doit être conservé dans le boîtier fourni.
- Après l'utilisation, assurez-vous que l'appareil est exempt de copeaux et de saletés.
- Les pièces usées ou endommagées doivent être remplacées immédiatement par des pièces de rechange d'origine du fabricant.
- Assurez-vous que toutes les arêtes de coupe sont bien aiguisées pendant le fonctionnement. L'utilisation d'outils de


coupe émoussés peut entraîner une surcharge du moteur.

- Toutes les 30 minutes de fonctionnement, il est recommandé de coucher la machine sur le côté pour permettre à la graisse de circuler dans le train d'engrenages.
- Après une utilisation répétée, le berceau peut se desserrer. Il est possible d'y remédier en réglant les vis de tension sur le côté du corps. Placez une clé hexagonale de 2,5 mm dans la tête des écrous de retenue du berceau et, à l'aide d'une clé de 8 mm, tournez les contre-écrous dans le sens antihoraire, en tenant la clé hexagonale sans déplacer les vis sans tête. À l'aide de la clé hexagonale, serrez doucement les vis en série jusqu'à ce que le berceau se déplace librement dans la glissière mais ne permette pas au moteur d'osciller. Une fois l'ajustement terminé, resserrez les contre-écrous dans le sens horaire, en vous assurant que les vis sans tête restent fixées dans leur nouvelle position

IMPORTANT ! – POUR ÉVITER D'ENDOMMAGER LES CIRCUITS, N'UTILISEZ JAMAIS SIMULTANÉMENT UNE PERCEUSE ÉLECTROMAGNÉTIQUE ET UN ÉQUIPEMENT DE SOUDAGE SUR LA MÊME PIÈCE.

Accessoires en option

Pour plus de détails sur les options, consultez le catalogue ou renseignez-vous auprès de votre magasin ou d'un bureau commercial Makita..

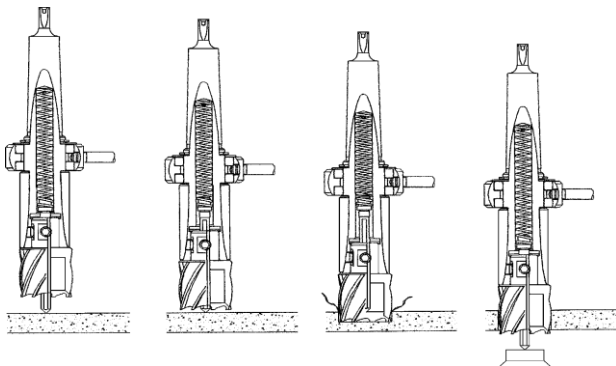
 **ATTENTION : Il est recommandé d'utiliser ces accessoires avec l'outil Makita spécifié dans ce manuel.** L'utilisation de tout autre accessoire peut présenter un risque de blessure. N'utilisez l'accessoire qu'avec le produit indiqué.

Si vous avez besoin d'aide ou de plus de détails concernant ces accessoires, adressez-vous à votre centre de service Makita local.

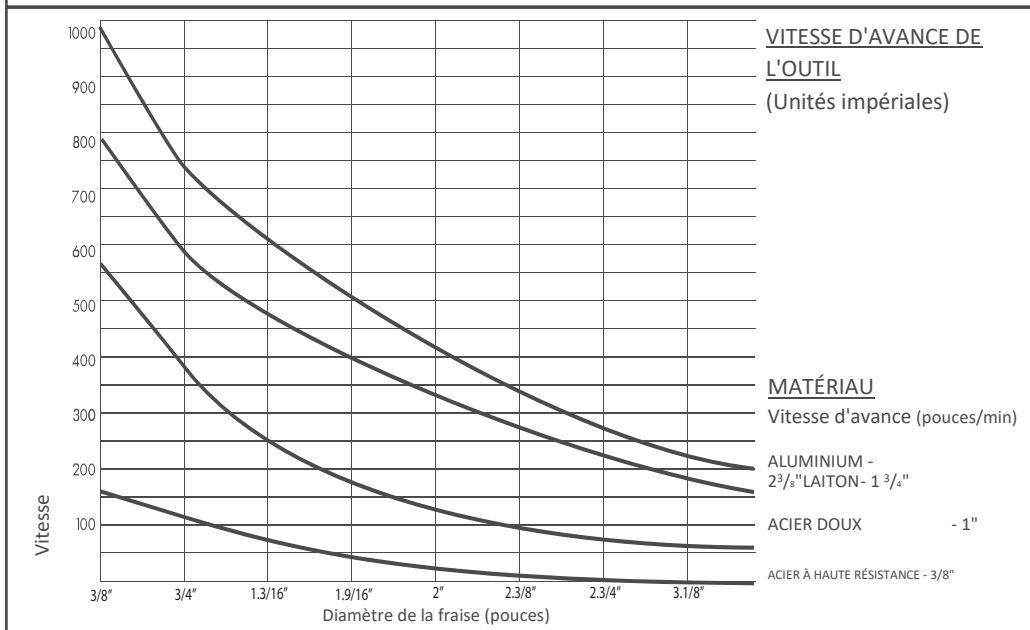
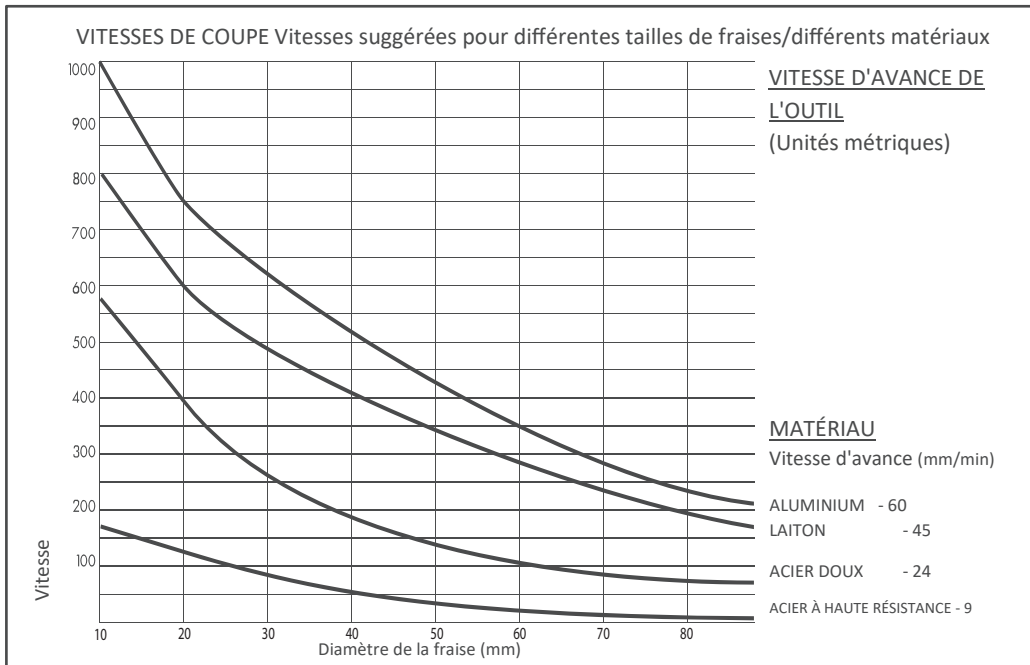
- Fraise HSS
- Fraise TCT
- Mandrin de perçage

MATÉRIAUX ET VITESSES DE COUPE

- La facilité avec laquelle le matériau peut être percé dépend de plusieurs facteurs, dont la résistance à la traction et à l'abrasion. Tandis que la dureté et/ou la résistance représentent les critères habituels, il peut y avoir d'importantes variations d'usinabilité entre des matériaux présentant des propriétés physiques similaires.
- Les conditions de coupe peuvent dépendre des exigences en matière de durée de vie de l'outil et de finition de surface et être encore plus limitées par la rigidité de l'outil et de la pièce, la lubrification et la puissance disponible de la machine.
- Plus le matériau est dur, plus la vitesse de coupe est faible. Certains matériaux de faible dureté contiennent des substances abrasives entraînant une usure rapide des arêtes de coupe à des vitesses élevées. Les vitesses d'avance sont régies par la stabilité de l'installation, par le volume de matériau à enlever, par l'état de surface et par la puissance disponible de la machine.
- Il est préférable de définir et de maintenir une vitesse de surface constante (tr/min) pour un matériau donné et de faire varier la vitesse d'avance dans des limites définies.
- L'avance de la machine est mesurée en pouces ou en millimètres par minute ; c'est le produit de la vitesse en tr/min x le nombre de dents de la fraise x l'avance par dent. Les vitesses d'avance trop faibles ou trop élevées entraînent toutes deux une défaillance prématurée de la fraise. Les avances trop importantes sur des matériaux durs entraînent l'écaillage de l'arête de coupe et une production de chaleur excessive.
- Les fraises à tige longue et fine présentent une vitesse d'avance limitée en raison de la déflexion et, dans la mesure du possible, il convient d'utiliser l'outil le plus grand et le plus robuste. Ceci est important pour les matériaux plus durs. L'acier jusqu'à 400 HB représente la limite potentielle pour les outils M2 HSS classiques. Au-delà de 300 HB, il faut envisager d'utiliser des fraises en alliage de cobalt pour augmenter la durée de vie de l'outil. Pour les matériaux plus tendres, les fraises en alliage de cobalt peuvent entraîner un rendement accru en augmentant les vitesses et les vitesses d'avance jusqu'à 50 %. Les fraises en carbure de tungstène permettent d'atteindre des vitesses de surface et des vitesses d'avance jusqu'à deux fois supérieures à celles des fraises standard.



AVANCES ET VITESSES



REMARQUE : Ces chiffres font office de point de départ. Les performances réelles dépendent du type de matériau, de l'épaisseur et de la dureté, de l'application et de l'état de la fraise.

INSTALLATION DE LA PROTECTION DE SÉCURITÉ

INSTRUCTIONS RELATIVES À LA PROTECTION DE LA PERCEUSE

Assurez-vous que la perceuse est isolée de l'alimentation électrique.

Installez la protection sur la perceuse comme indiqué.

Pendant le perçage, la protection doit toujours être en contact avec la surface à percer. À mesure que la perceuse s'abaisse, la protection se relève par rapport à la perceuse.



INSTALLATION DU FLACON D'HUILE

Le flacon d'huile de coupe est maintenu dans un support à ressort fixé au sommet du corps de la perceuse. Montez le support en retirant l'une des vis à tête cylindrique de la plaque supérieure et remplacez le boulon à travers la patte de fixation du support du flacon, en serrant suffisamment le boulon pour permettre un certain mouvement radial du support. Le tube de refroidissement doit être enfoncé dans le presse-étoupe à la base du robinet et dans un raccord similaire sur le support inférieur du mandrin.

INSTALLATION DE LA CHAÎNE DE SÉCURITÉ

Dans la mesure du possible, il convient d'utiliser une chaîne de sécurité en tant que mesure de précaution en cas de panne de courant relâchant la partie magnétique ; notamment lorsque la machine est fixée sur une surface verticale ou en position inversée.

INSTRUCTIONS RELATIVES À LA CHAÎNE DE SÉCURITÉ

Lorsque la machine a été fixée à la pièce à usiner dans la position de perçage correcte, la chaîne doit être fixée à un endroit sûr de la perceuse. Il convient ensuite de la faire passer autour d'une partie importante de la pièce puis de la fixer solidement.

Une fois la coupe terminée, la chaîne doit être relâchée et la machine doit être soutenue avant que la partie magnétique ne soit désengagée.

INSTALLATION DE LA FRAISE

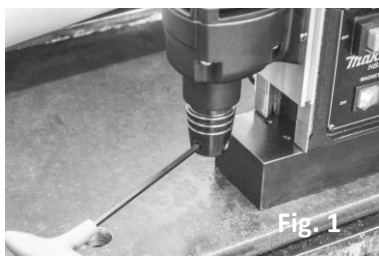


Fig. 1

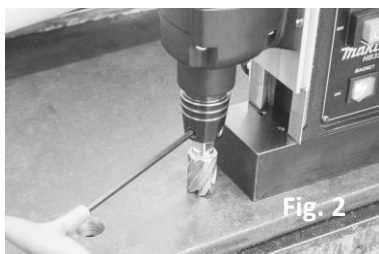


Fig. 2

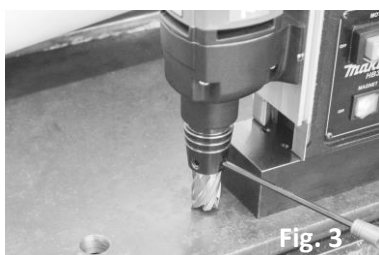


Fig. 3

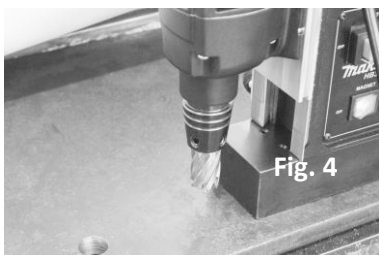


Fig. 4

Insertion de la tige pilote

- La tige pilote sert à la fois à centrer la fraise et à éjecter le fragment indésirable une fois la coupe terminée. Elle possède un côté plat pour permettre au liquide de refroidissement de s'écouler et d'atteindre le centre de la coupe, là où la chaleur est la plus forte. Faites glisser la tige pilote à travers le trou situé au centre de la tige de la fraise.

INSTALLATION DE LA FRAISE

Fig. 1.

Pour insérer la fraise dans le mandrin, il faut d'abord desserrer les vis sans tête à l'aide d'une clé hexagonale M5. Assurez-vous que les vis sans tête sont suffisamment desserrées pour permettre à la tige de la fraise d'entrer librement.

Fig. 2.

Assurez-vous que les méplats d'entraînement de la tige de la fraise sont totalement alignés sur les deux vis sans tête du mandrin de la machine.

Fig. 3.

Assurez-vous que la tige de la fraise est entièrement insérée dans le mandrin, puis serrez complètement les vis sans tête pour que la fraise soit bien ajustée dans le mandrin.

Fig. 4.

La fraise est maintenant prête à l'emploi.

APPLICATION DU LIQUIDE DE REFROIDISSEMENT

- L'huile de coupe assure une plus longue durée de vie de la fraise et permet d'éjecter le fragment indésirable proprement. Un flacon de 500 ml est fourni avec chaque machine.

- La fraise reçoit automatiquement de l'huile lorsque la coupe commence.

- Pour les coupes sur des surfaces verticales ou à l'envers, il est recommandé d'utiliser de la pâte, du gel ou de la mousse de coupe. Il est préférable de l'appliquer à l'intérieur de la fraise avant de percer.

- Branchez la machine à la prise de courant ; la LED rouge du panneau de commande électronique se met à clignoter.

Remarque : la sangle de sécurité et les protections ne figurent pas sur la photo à des fins de clarté.

FONCTIONNEMENT



1) Alimentation

Assurez-vous que la perceuse est alimentée et qu'elle peut fonctionner en toute sécurité.



2) Aimant activé

Pour activer ou désactiver l'aimant, utilisez l'interrupteur magnétique comme illustré.



3) Moteur allumé

Appuyez sur l'interrupteur VERT pour mettre le moteur en marche. Procédez à la découpe en respectant toutes les consignes de sécurité.

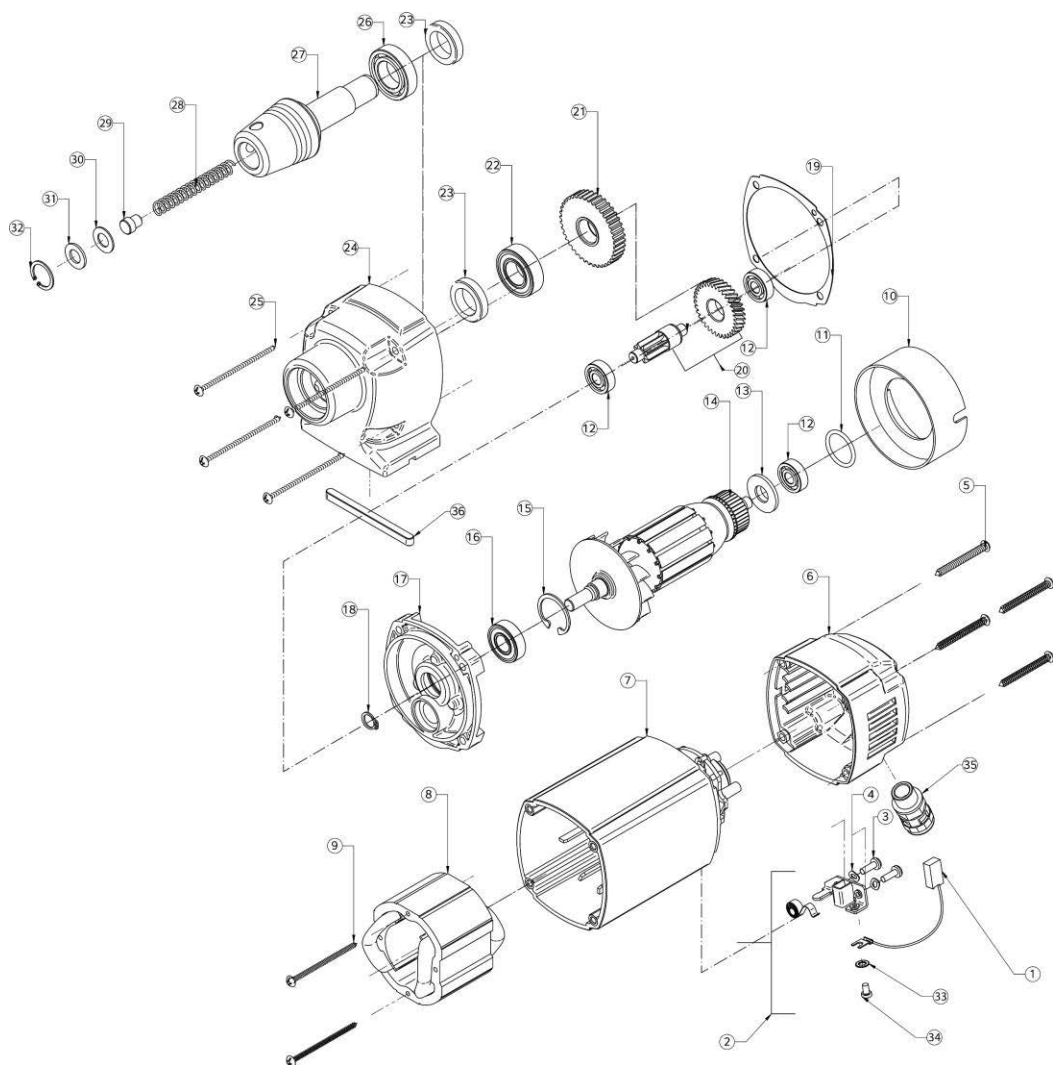


4) Moteur coupé

Pour couper le moteur, appuyez sur l'interrupteur ROUGE. Le moteur s'arrête et l'aimant reste activé.

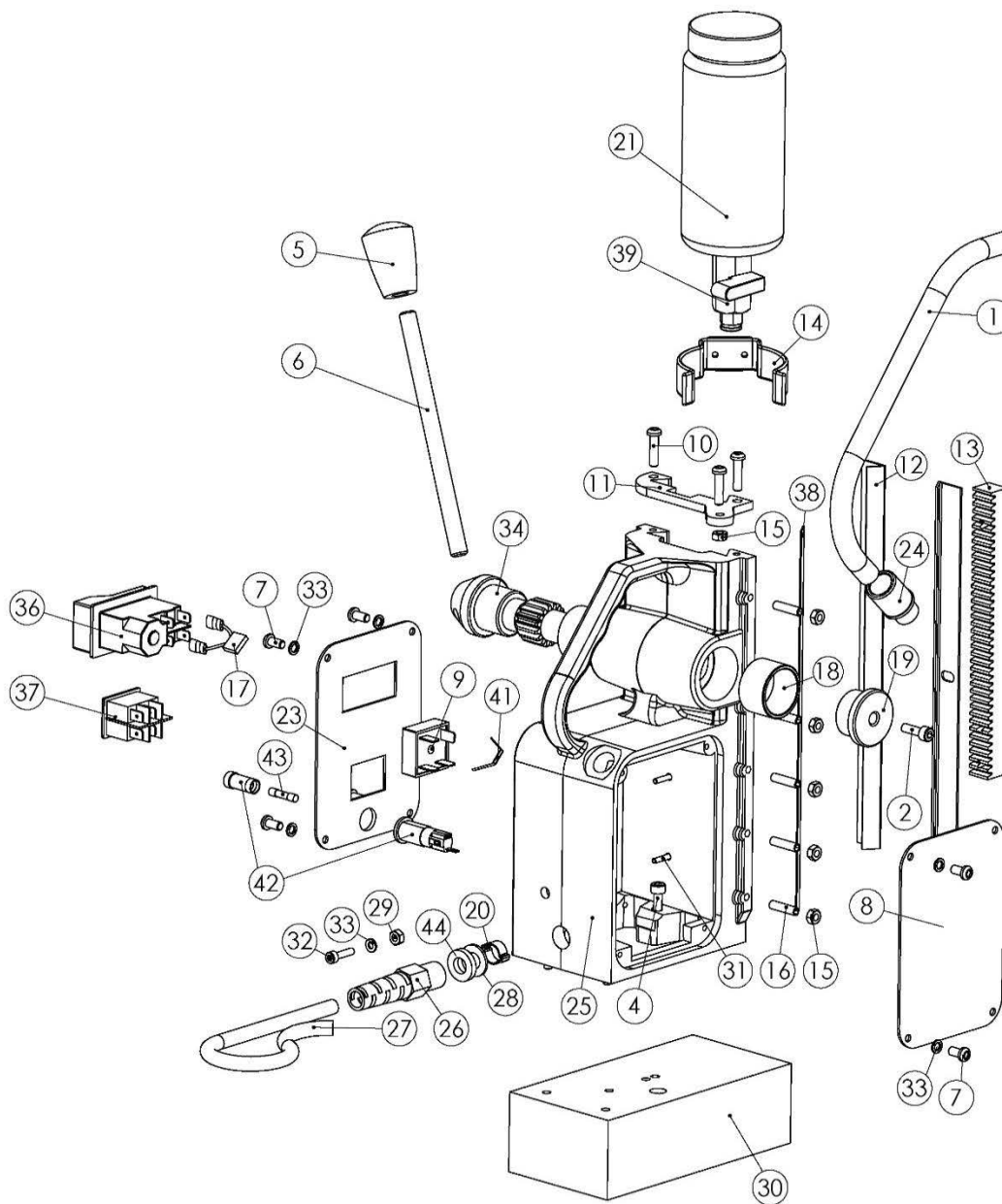
Revenez à l'étape 3 pour recommencer.

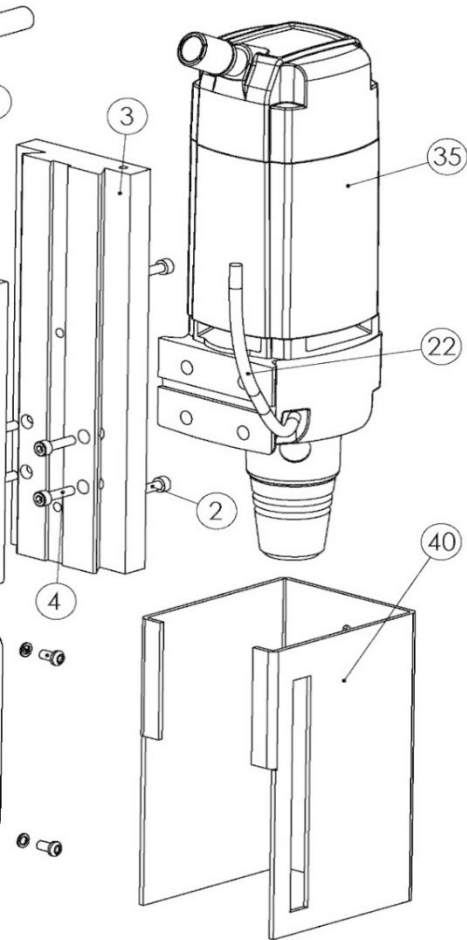
PIÈCES DU MOTEUR HB350



N°	Description	Qty	Référence
1	ENSEMBLE DE BROSSES DE CARBONE 6,3X10X18	2	EBD002
2	ENSEMBLE PORTE-BROSSE	2	EBD001
3	VIS M4 X 12	2	EBD003
4	RONDELLE ÉLASTIQUE M4	2	EBD004
5	VIS AUTO-TARAUDEUSE À TÊTE PHILIPS 4,8 X 45	4	EBD005
6	COUVERCLE ARRIÈRE	1	EIB527
7	BOÎTIER DE BOBINE DE CHAMP	1	EIB526
8	ENSEMBLE BOBINE DE CHAMP 110V	1	EBD008-A
	ENSEMBLE BOBINE DE CHAMP 230V	1	EBD008-B
9	VIS AUTO-TARAUDEUSE À TÊTE PHILIPS 3,9 X 60	2	EBD009
10	DÉFLECTEUR	1	EBD010
11	JOINT TORIQUE	1	EBD011
12	ROULEMENT À BILLE (8-22-7) 608 2Z	3	UDC022
13	RONDELLE DE POUSSIÈRE	1	EBD012
14	ENSEMBLE ARMATURE 110V	1	EBD013-A
	ENSEMBLE ARMATURE 230V	1	EBD013-B
15	CIRCLIP 28MM X 1,2 TYPE B	1	EBD014
16	ROULEMENT À BILLE (12-28-8) 6001 2Z	1	UDC023
17	COUVERCLE DE CARTER D'ENGRENAGE	1	EBD015
18	CIRCLIP 10MM X 1 TYPE A	1	EBD016
19	JOINT D'ÉTANCHÉITÉ	1	EBD017
20	ENSEMBLE INTER-ARBRES	1	EBD018
21	ENGRENAGE À BROCHE	1	EBD019
22	ROULEMENT À BILLE (17-35-10) 6003 2RS	1	UDC004
23	JOINT D'ÉTANCHÉITÉ À L'HUILE 20-30-7 TYPE B	2	EBD020
24	CARTER D'ENGRENAGE	1	EBD021
25	VIS AUTO-TARAUDEUSE À TÊTE PHILIPS 4,8 X 60	4	EBD022
26	ROULEMENT À BILLE 6904 2RS	1	EBD025
27	CORPS DE MANDRIN	1	EIB528
28	RESSORT DE MANDRIN	1	EBD026
29	BOUCHON D'ÉJECTION DU MANDRIN	1	EBD027
30	RONDELLE DE MANDRIN	1	EBD028
31	RONDELLE DE MANDRIN EN CAOUTCHOUC	1	EBD029
32	CIRCLIP DE MANDRIN	1	EBD030
33	RONDELLE DE BROSSSE DE CARBONE	2	EBD031
34	VIS DE FIXATION DE BROSSSE DE CARBONE	2	EBD032
35	PRESSE-ÉTOUPE PG9	1	40025
36	CLÉ DE LOCALISATION DU MOTEUR	1	M1019

PIÈCES DÉTACHÉES HB350





N°	Description	Qtt	Référence
1	CONDUIT (grand dia. 12mm) - PMA-PCLT-10B.50	1	M0443
2	VIS À TÊTE CYLINDRIQUE M6 X 16	3	SC616CAP
3	GLISSIÈRE HB350 MAKITA	1	M1000
4	VIS À TÊTE CYLINDRIQUE M6 X 25	7	SC625CAP
5	BOUTON DE POIGNÉE (10mm À ENFONCER)	3	M0841
6	POIGNÉE 10MM X 130MM (PETITE)	3	BD043
7	VIS À TÊTE BOMBÉE M4 X 6	8	SC46BUT
8	PLAQUE D'AVERTISSEMENT MAKITA HB350 CE JAPON		M1002
	PLAQUE D'AVERTISSEMENT MAKITA HB350 CE BELGIQUE		M1003
	PLAQUE D'AVERTISSEMENT MAKITA HB350 CSA JAPON		M1014
	PLAQUE D'AVERTISSEMENT MAKITA HB350 UKCA		M1018
	PLAQUE D'AVERTISSEMENT MAKITA HB350 RCM AUSTRALIE		M1021
9	PONT REDRESSEUR - 25A (395-4310)	1	M0401
10	VIS À TÊTE CYLINDRIQUE M5 X 16	3	SC516CAP
11	SUPPORT SUPÉRIEUR D'ALIMENTATION EN HUILE - (CORPS)	1	M0811A
12	RAIL EN LAITON (MB30)	2	M0101
13	CRÉMAILLÈRE (MB30)	1	M0831
14	CLIP DE FIXATION DU FLACON D'HUILE	1	10076C
15	NYLOC M5	6	10085B
16	VIS SANS TÊTE À POINTE MOLETÉE M5X25	5	10085A
17	CONDENSATEUR	1	RD43118
18	BAGUE (PIGNON) - BAGUE EN OILITE 33 X 28 X 20	2	M0081
19	EMBOUT DE PIGNON - PROFOND	1	M0072
20	COLLIER DE SERRAGE 8-11 BOCLP8/11	1	RD47179
21	ENSEMBLE FLACON D'HUILE D5000	1	30046A
22	TUBE EN POLYURÉTHANE TRANSPARENT 6MM X 4MM U-	1	BD029
23	PLAQUE DE PANNEAU DE COMMANDE MAKITA HB350	1	M1001
24	PRESSE-ÉTOUPE M16 - PMA BVND-M160GT	1	40026
25	CORPS NOIR MB30	1	M0001BLK
26	PRESSE-ÉTOUPE EN TIRE-BOUCHON AVEC CONTRE-ÉCROU	1	10231
27	CÂBLE ÉTATS-UNIS - CALIBRE 14 - 3M - AB-CAB-870		CABL03
	CÂBLE EUROPE AVEC FICHE À BROCHES - AB-CAB-876 - 3M		CABL04
	CÂBLE BRÉSIL MAKITA AVEC FICHE 220V - 3M		CABL05
	CÂBLE SECTEUR 3MTR-110V NOIR AVEC FICHE		CABL06
	CÂBLE ARGENTINE AVEC FICHE 230V - 3M		CABL08
	CÂBLE SECTEUR AUSTRALIE/NZ-3M AVEC FICHE À BROCHES- AB-CAB-866		CABL09
28	RONDELLE M8 POUR MANDRIN INTERNE	1	RD47187
29	ÉCROU EN LAITON M4	1	NUT-M4-B
30	BASE MAGNÉTIQUE HB350	1	M1020
31	VIS À FENTE CSK MC M4 X 6 - BZP	5	SC46CSK
32	VIS CSK MC M4 X 12 - LAITON	1	SC412CSK-B
33	RONDELLE ANTI-VIBRATION M4-BZP-WSH-227-004-ZC221	9	SPWR-M4
34	PIGNON - (PETIT)	1	M0041
35	PERCEUSE EIBENSTOCK BHM35 - 110V MAKITA BLEUE		EIB522
	PERCEUSE EIBENSTOCK BHM35 - 230V MAKITA BLEUE		EIB523
36	INTERRUPTEUR MARCHÉ/ARRÊT DE LA PERCEUSE - 110V -		NCP001
	INTERRUPTEUR MARCHÉ/ARRÊT DE LA PERCEUSE - 230V -		NCP002
37	INTERRUPTEUR MAGNÉTIQUE - PANNEAU NCP -	1	NCP006
38	G.F.S. (MB30)	1	M0441
39	RACCORD RAPIDE NOIR 1/8 BSP-6MM	1	50015
40	PROTECTION D'ADAPTATION NEW UNI 1	1	VISO18
41	VARISTOR 318-565 (V150LA10A)		W18XC522
	VARISTOR HAUTE TENSION 20MM 275 VRMS		W18XC521
42	PORTE-FUSIBLE 248-447	1	W18XC511
43	FUSIBLE 2A (RAPIDE 26-2469)	1	W18XC512
44	RONDELLE SMBK1869836HPU	1	JUD009

ANTES DE EMPEZAR

Para ayudarle a obtener el máximo rendimiento posible de su nuevo taladro magnético, esta guía contiene indicaciones prácticas y sencillas que le permitirán utilizar el equipo con seguridad y eficacia durante mucho tiempo.

Léala detenidamente antes de utilizar el taladro.

- Asegúrese de respetar los procedimientos de seguridad generales y específicos.

Descripción de los pictogramas de la placa de especificaciones del taladro Makita HB350



¡PELIGRO!

Indica un peligro inminente o un riesgo para la vida o la salud de carácter general.



¡RIESGO ELÉCTRICO!

Indica la existencia de un peligro o un riesgo directo para la vida debido a la presencia de electricidad.



¡PRECAUCIÓN!

Indica un posible peligro o un riesgo de lesiones leves o daños materiales.



UTILICE PROTECCIONES OCULARES Y AUDITIVAS

Cuando use este taladro, utilice siempre protecciones oculares y auditivas.



UTILICE UNA CADENA DE SEGURIDAD

Por razones de seguridad, asegure firmemente el taladro a la pieza.



LEA EL MANUAL

Lea el manual antes de utilizar el equipo.

Solo para países europeos

Certificado de conformidad WEEE: solicitud en curso

Todos los sistemas de taladro magnético son conformes con la directiva RoHS.

Debido a la presencia de componentes peligrosos, los equipos eléctricos y electrónicos usados pueden tener efectos negativos para el medio ambiente y la salud de las personas.

No se deshaga de sus aparatos eléctricos o electrónicos con los residuos domésticos.

De acuerdo con la directiva europea sobre residuos de equipos eléctricos y electrónicos, dichos equipos deberán clasificarse por separado para depositarlos en un punto de tratamiento de residuos que respete la normativa de protección ambiental.

Esto se indica con el símbolo del contenedor tachado que se encuentra sobre el equipo.

CONTENIDO

- HB350 Características funcionales
- El concepto de corte con fresas huecas
- Instrucciones de seguridad generales paraherramientas eléctricas
- Accesorios opcionales
- Materiales y velocidades de corte
- Avance y velocidad
- Instalación de la protección y la correa de seguridad y del recipiente de aceite
- Instalación de las herramientas de corte
- Panel de operación
- Diagrama del motor y lista de piezas
- Diagrama del soporte y lista de piezas

FR Instructions en français

ES Instrucciones en español

Solo para Canadá y E.E. U.U.: -

Declaración de conformidad CSAus

La Corporación Makita, como fabricante responsable, declara que la siguiente máquina Makita:

Denominación de la máquina: *Taladro magnético*

N.º de modelo / Tipo: *HB350*

es conforme con las siguientes directivas:

CAN/CSA-C22.2 N.º 745-2-32-95 (R2004)

UL 745-2-32 Ed.1 (R2004) (23 de marzo de 1995)

CAN/CSA-C22.2 N.º 745-1-95 (R1999)

UL 745-1Ed.1 (R1995) (23 de marzo de 1995)



HB350 CARACTERÍSTICAS FUNCIONALES

- Capacidad de perforación - 1.3/8"
- Capacidad del mandril - 1/2"
- Velocidad sin carga - 850 rpm
- Consumo eléctrico - 1050 W
- Fuerza magnética - 8000 N (1800 lb)
- L x H x W - 8.7/8" x 19.5/16" x 7.11/16"
- Peso - 26 lb
- Tensión - 120 V

MATERIAL INCLUIDO: Sistema de refrigeración integrado, garantía, maletín de transporte, llaves Allen, protección y correa de seguridad

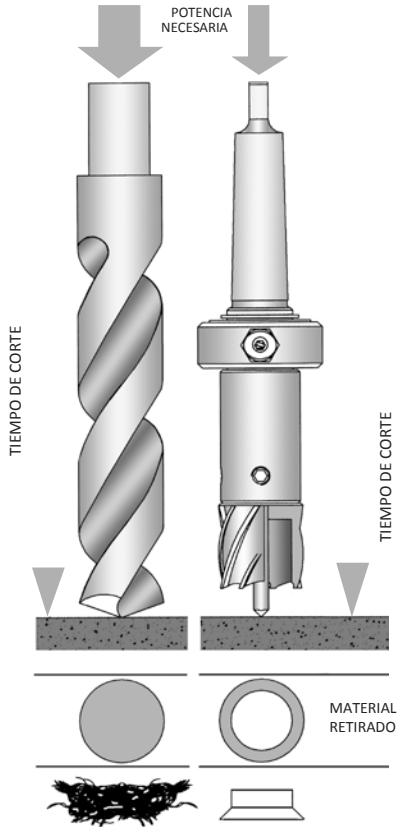
- Debido a nuestro programa de investigación y desarrollo continuos, estas especificaciones pueden variar sin previo aviso.



EL CONCEPTO DE CORTE CON FRESAS HUECAS

Si no está familiarizado con el uso de fresas huecas (o anulares), dedique unos minutos a la lectura de esta guía: comprendiéndolo obtendrá el máximo rendimiento de la herramienta y alargará su vida útil. Las fresas huecas solo cortan material en la periferia del taladro, en lugar de deshacer todo el material en virutas. Como resultado de ello, el tiempo y la energía necesarios para realizar el taladro son menores que con una broca convencional.

La capacidad de perforación de una máquina es mayor con fresas huecas que con brocas convencionales. El material vaciado en la perforación tendrá también mayor valor residual que las virutas.



INSTRUCCIONES GENERALES DE SEGURIDAD PARA HERRAMIENTAS ELÉCTRICAS

. USO PREVISTO

Este taladro magnético está previsto para la realización de taladros en metales ferrosos. El imán se utiliza para mantener el taladro en posición durante su funcionamiento. Este taladro está diseñado para la manufactura, la construcción, el sector del ferrocarril, la industria petroquímica y otras actividades en las que se requiera taladrar metales ferrosos.

Cualquier desviación de su uso previsto no estará cubierta por la garantía.

. REGLAS DE SEGURIDAD GENERALES

ADVERTENCIA: Lea y comprenda todas las instrucciones. El incumplimiento de las instrucciones que se indican a continuación puede provocar descargas eléctricas, incendios o lesiones graves.

CONSERVE ESTAS INSTRUCCIONES.

Zona de trabajo

1. **Mantenga la zona de trabajo limpia y bien iluminada.** Las mesas de trabajo desordenadas y las zonas oscuras son propensas a los accidentes.
2. **No utilice herramientas eléctricas en atmósferas explosivas, como en presencia de líquidos, gases o polvo inflamables.** La herramientas eléctricas generan chispas que pueden inflamar el polvo o los vapores.
3. **Mantenga a las demás personas, a los niños y a los visitantes alejados cuando utilice herramientas eléctricas.** Las distracciones pueden hacerle perder el control.

Seguridad eléctrica

1. **Las herramientas con puesta a tierra deben enchufarse a una toma correctamente instalada y conectada a tierra de acuerdo con los códigos y normativas aplicables. No retire nunca la clavija de conexión a tierra ni modifique el enchufe en modo alguno. No utilice adaptadores. Si tiene alguna duda sobre la correcta conexión a tierra de la toma, consulte con un electricista cualificado.** Si la herramienta sufre un fallo eléctrico o avería, la conexión a tierra proporcionará un camino de baja resistencia para conducir la electricidad alejándola del usuario.
2. **Evite el contacto corporal con superficies conectadas a tierra como tuberías, radiadores, fogones o refrigeradores.** El riesgo de electrocución es mayor si su cuerpo está conectado a tierra.
3. **No exponga las herramientas eléctricas a la lluvia o la humedad.** La entrada de agua en una herramienta eléctrica aumenta el riesgo de electrocución.
4. **No haga un mal uso del cable. No transporte nunca las herramientas sujetándolas por el cable ni tire de él para desenchufarlas. Mantenga el cable alejado del calor, del aceite, de los bordes afilados y de los elementos móviles. Si el cable está deteriorado, sustitúyalo inmediatamente.** Los cables deteriorados aumentan el riesgo de electrocución.
5. **Cuando utilice una herramienta eléctrica en el exterior, utilice un alargador para exterior con marcado «W-A» o «W».** Estos alargadores están diseñados para uso en exterior y reducen el riesgo de electrocución.

Seguridad personal

1. **Cuando utilice herramientas eléctricas, permanezca alerta, preste atención a lo que hace y utilice el sentido común. No utilice la herramienta si está cansado o bajo la influencia de drogas, alcohol o medicamentos.** Un momento de inatención durante el uso de una herramienta eléctrica puede provocar lesiones graves.
2. **Vístase adecuadamente. No utilice prendas ni accesorios holgados. Recójase el pelo si lo tiene largo. Mantenga el pelo, la ropa y los guantes alejados de los elementos móviles.** Las prendas y accesorios holgados o el pelo largo pueden quedar atrapados en los elementos móviles.
3. **Evite el arranque accidental de la herramienta. Asegúrese de que el interruptor está en «OFF» (apagado) antes de enchufar el taladro.** Transportar herramientas con el dedo sobre el interruptor

o enchufarlas cuando el interruptor está en «ON» puede provocar accidentes.

4. **Retire las llaves y los accesorios de ajuste antes de encender la herramienta.** Una llave puesta en un elemento rotativo de la herramienta puede provocar lesiones personales.
5. **No trabaje en posturas forzadas. Mantenga un buen apoyo y equilibrio en todo momento.** El correcto apoyo de los pies y el equilibrio le permitirán controlar mejor la herramienta si se produce una situación imprevista.
6. **Utilice equipos de protección. Póngase siempre una protección ocular.** Para unas condiciones de trabajo adecuadas, utilice mascarilla, calzado de seguridad antideslizante, casco y protección auditiva.

Uso y cuidado de la herramienta

1. **Utilice mordazas u otro sistema adecuado para fijar y mantener la pieza sobre una plataforma estable.** Sujetar la pieza con las manos o contra su cuerpo no garantiza una estabilidad adecuada y puede hacer que pierda el control.
2. **No fuerce la herramienta. Utilice la herramienta adecuada para cada uso.** Una herramienta adecuada trabajará mejor y con mayor seguridad en las condiciones para las que está diseñada.
3. **No utilice la herramienta si no puede apagarla y encenderla con el interruptor.** Una herramienta que no puede controlarse con el interruptor es peligrosa y debe repararse.
4. **Desconecte el enchufe de la toma de alimentación antes de realizar ajustes, cambiar accesorios o almacenar la herramienta.** Esta medida preventiva de seguridad reduce el riesgo de que la herramienta se ponga en marcha accidentalmente.
5. **Cuando no utilice la herramienta, almacénela fuera del alcance de los niños y de personas sin la experiencia necesaria.** Las herramientas son peligrosas en manos de usuarios sin experiencia.
6. **Mantenga cuidadosamente la herramienta. Conserve las herramientas de corte afiladas y limpias.** Un herramienta con un mantenimiento adecuado y con elementos de corte afilados es menos propensa a atascarse y más fácil de controlar.
7. **Compruebe que no hay ningún problema que pueda afectar al funcionamiento de la herramienta, como elementos móviles atascados o mal alineados y componentes rotos. Si la herramienta está deteriorada, hágala reparar antes de utilizarla.** Muchos accidentes son debidos a un mantenimiento deficiente de las herramientas.
8. **Utilice únicamente los accesorios recomendados por el fabricante para su modelo.** Los accesorios adecuados para una herramienta pueden ser peligrosos si se utilizan en otra.

Reparación

1. **La reparación de la herramienta deberá confiarse únicamente a profesionales cualificados.** La reparación o el mantenimiento de una herramienta por parte de personas sin cualificación puede conllevar un riesgo de lesiones.
2. **Para reparar una herramienta, utilice siempre piezas de repuesto idénticas. Siga las instrucciones de la sección «Mantenimiento» de este manual.** El uso de componentes no autorizados o el incumplimiento de las instrucciones de mantenimiento puede provocar riesgos de electrocución o lesiones graves.

ADVERTENCIA:

Utilice siempre una cadena de seguridad. La fijación puede soltarse.

. MANTENIMIENTO

- Aplique de vez en cuando unas gotas de aceite sobre los dientes de la cremallera.
- Los rodamientos del eje de avance son autolubrificantes y no es necesario engrasarlos.
- Engrase la superficie deslizante del carro con grasa MOLYCOTE.
- Cuando no la utilice o cuando la transporte, la unidad deberá permanecer en el maletín suministrado.
- Después de utilizar la máquina, limpie las virutas y la suciedad.
- Los componentes desgastados o deteriorados deberán sustituirse inmediatamente con recambios originales del fabricante.
- Asegúrese de que las herramientas de corte utilizadas estén bien afiladas. El uso de herramientas de corte gastadas

puede sobrecargar el motor.

- Se recomienda tumbar la máquina sobre un lateral cada 30 minutos de funcionamiento para que la grasa circule por la transmisión.
- Después de una utilización prolongada, el soporte puede aflojarse. Para remediarlo hay que ajustar los tornillos de apriete que se encuentran en el lateral del cuerpo. Introduzca una llave hexagonal de 2,5 mm en la cabeza de las tuercas de retención del soporte. Con una llave de 8 mm, afloje las tuercas de bloqueo en sentido antihorario, manteniendo la llave hexagonal para que los tornillos prisioneros no se muevan.

Con cuidado, apriete sucesivamente los tornillos con la llave hexagonal hasta que el soporte se deslice libremente sin permitir oscilaciones del motor.

Cuando haya finalizado el ajuste, vuelva a apretar las tuercas de bloqueo en sentido horario asegurándose de que los tornillos prisioneros no se mueven de su nueva posición.

IMPORTANTE – PARA PREVENIR DAÑOS EN LOS CIRCUITOS, NO UTILICE NUNCA TALADROS ELECTROMAGNÉTICOS Y EQUIPOS DE SOLDADURA SIMULTÁNEAMENTE SOBRE LA MISMA PIEZA.

Accesorios opcionales

Para más información sobre las opciones, consulte el catálogo o pregunte en un punto de venta o una oficina comercial Makita.



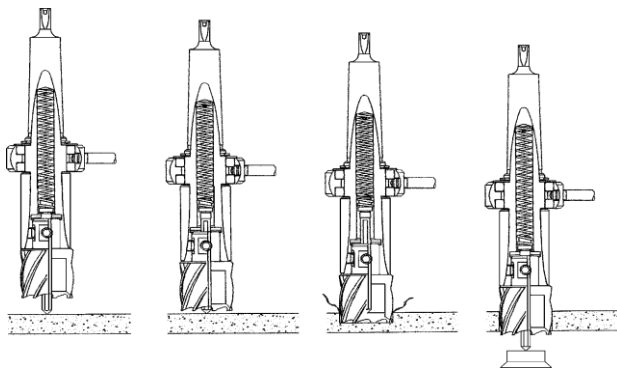
PRECAUCIÓN: Estos componentes y accesorios están recomendados para la herramienta Makita que se especifica en este manual. El uso de otros componentes o accesorios puede conllevar el riesgo de lesiones. Utilice los componentes y los accesorios únicamente para su utilización prevista.

Si necesita ayuda o más información sobre estos accesorios, consulte con su centro local de servicio Makita.

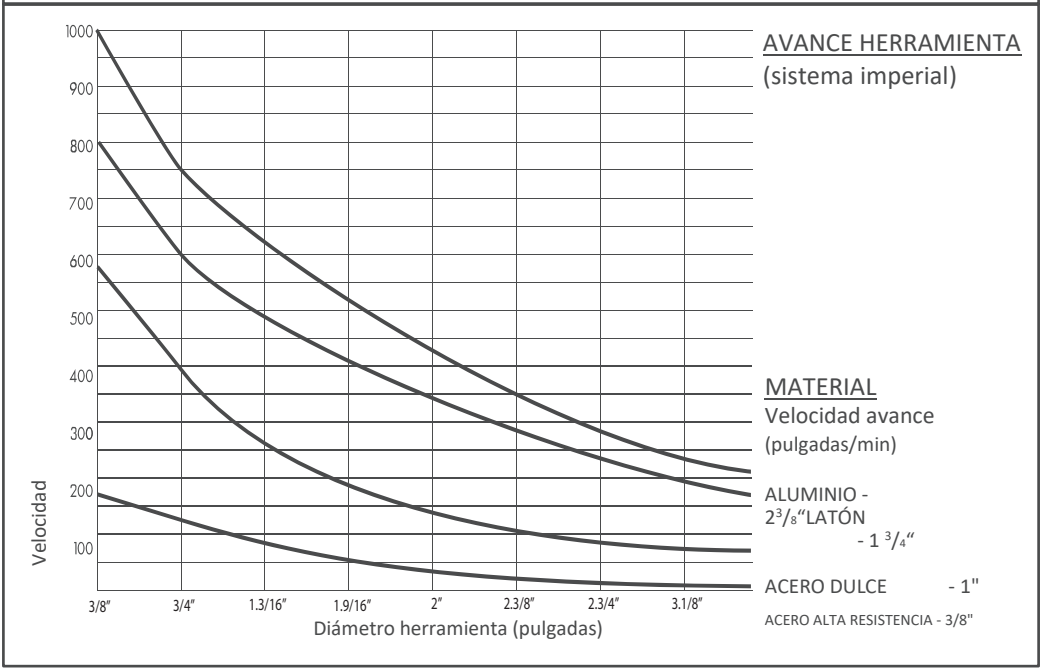
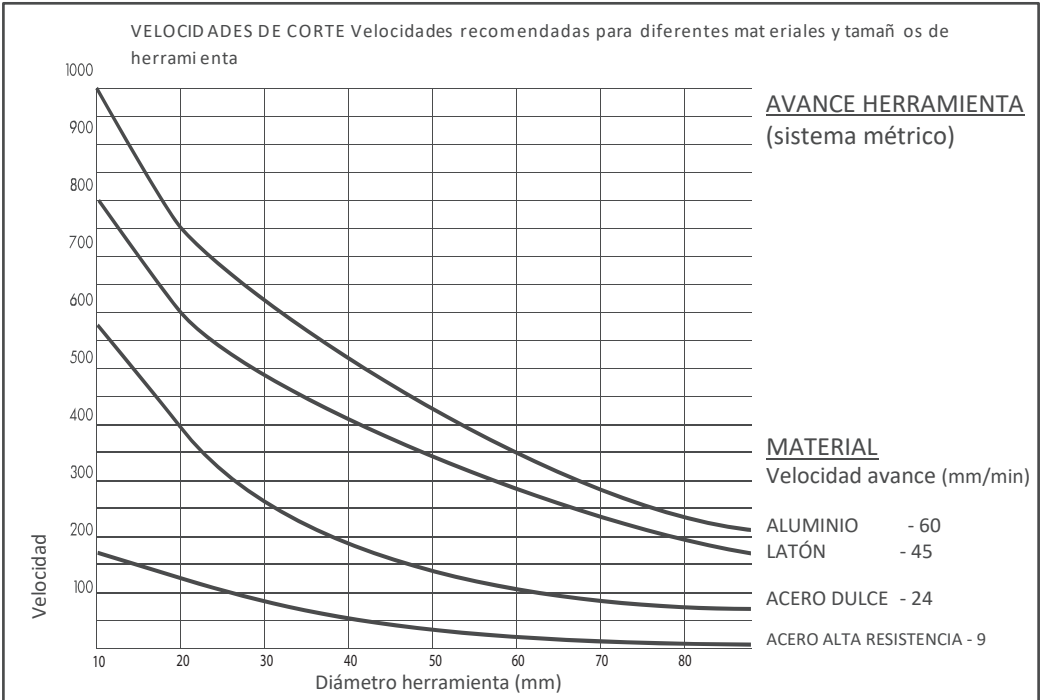
- Herramientas de corte CSS
- Herramientas de corte TCT
- Mandril

MATERIALES Y VELOCIDADES DE CORTE

- La facilidad con la que un material se puede perforar depende de factores como su resistencia a la tracción y a la abrasión. Aunque los criterios habituales son la dureza y/o la resistencia, pueden existir diferencias importantes de mecanizabilidad entre materiales con propiedades físicas similares.
- Las condiciones de corte pueden definirse en función de requisitos relacionados con la vida útil de la herramienta y el acabado superficial, y también pueden estar limitadas por la rigidez de la herramienta y de la pieza, la lubricación y la potencia de la máquina.
- Cuanto más duro sea el material, menor será la velocidad de corte. Algunos materiales de baja dureza contienen componentes abrasivos que desgastan rápidamente las herramientas a altas velocidades. La velocidad de avance estará determinada por la rigidez del conjunto, el volumen de material a retirar, el acabado superficial y la potencia de la máquina.
- Para un material dado, es preferible definir y mantener una velocidad superficial constante (RPM) y variar la velocidad de avance dentro de unos límites determinados.
- El avance de la máquina se mide en pulgadas o milímetros por minuto, y es el resultado del producto entre la velocidad de giro (RPM), el número de dientes de la herramienta y el avance de cada diente. Tanto una velocidad de avance demasiado baja como una excesivamente alta provocarán el fallo prematuro de la herramienta de corte. Un avance rápido en materiales duros arrancará material de la herramienta de corte y generará un calor excesivo.
- La velocidad de avance de las herramientas de corte delgadas con vástagos largos está limitada por su tendencia a deformarse, y en general deberá utilizarse la herramienta más grande y robusta posible. Esto es especialmente importante en materiales duros. El acero de 400 HB es posiblemente el límite de las herramientas convencionales M2 HSS. Por encima de 300 HB, las herramientas de aleación de cobalto tendrán una mayor vida útil. En calidades de material más blandas, las herramientas de aleación de cobalto permitirán trabajar más rápido aumentando la velocidad y el avance hasta un 50 %. Las herramientas de carburo de tungsteno permiten velocidades superficiales y de avance dos veces mayores que las herramientas estándar.



AVANCE Y VELOCIDAD



NOTA: Estos valores se toman como punto de partida. Las condiciones reales dependerán del tipo de material, de su espesor y dureza, del trabajo realizado y del estado de la herramienta de corte.

INSTALACIÓN DE LA PROTECCIÓN

INSTRUCCIONES PARA LA PROTECCIÓN DEL TALADRO

Asegúrese de que el taladro está desconectado del suministro eléctrico.

Coloque la protección como se muestra en la imagen.

Durante la perforación, la protección deberá estar siempre en contacto con la superficie perforada. A medida que el taladro descienda, la protección se levantará con respecto a él.



INSTALACIÓN DEL RECIPIENTE DE ACEITE

El depósito de aceite de corte está sujeto en un soporte fijado en la parte superior del cuerpo del taladro. Para colocar el soporte, retire uno de los tornillos de cabeza hueca de la placa superior y vuelva a colocarlo pasándolo por la orejeta de fijación del soporte del depósito, apretándolo lo suficiente para permitir un ligero movimiento radial del soporte. El tubo de refrigerante se introduce a presión en la boquilla autosellante de la base de depósito y en un accesorio similar en el soporte inferior del árbol.

COLOCACIÓN DE LA CADENA DE SEGURIDAD

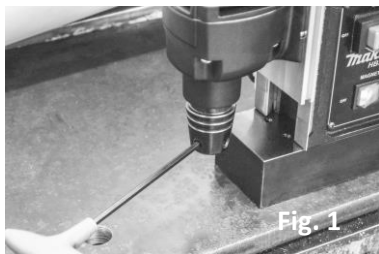
Siempre que sea posible, deberá emplearse una cadena de seguridad como medida de precaución en caso de que se produzca un fallo de suministro y el imán se suelte, especialmente si la máquina está adherida en superficies verticales o en posición invertida.

INSTRUCCIONES PARA LA CADENA DE SEGURIDAD

Cuando la máquina esté adherida a la pieza en la posición correcta para taladrar, la cadena deberá fijarse a una zona robusta del taladro. Después, la cadena se pasará en torno a la pieza y se asegurará firmemente.

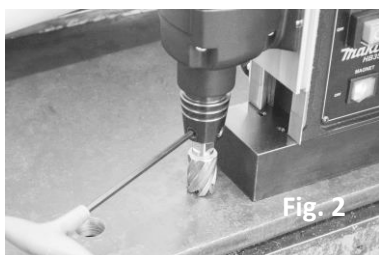
Una vez que haya finalizado la perforación, la cadena se liberará y deberá sujetarse la máquina antes de separar el imán.

INSTALACIÓN DE LA HERRAMIENTA DE CORTE



Inserción del punzón expulsor

- El punzón expulsor sirve para centrar la herramienta y para extraer el material vaciado para terminar la perforación. El punzón tiene un lateral plano para que el refrigerante pueda fluir hasta el centro del taladro, donde el calor generado es mayor. Deslice el punzón a través del orificio central del vástago de la herramienta.



INSTALACIÓN DE LA HERRAMIENTA DE CORTE

Fig. 1.

Para introducir la herramienta en el mandril, afloje primero los tornillos prisioneros con una llave hexagonal M5. Asegúrese de que los tornillos prisioneros están lo bastante flojos para que el vástago de la herramienta entre libremente.

Fig. 2.

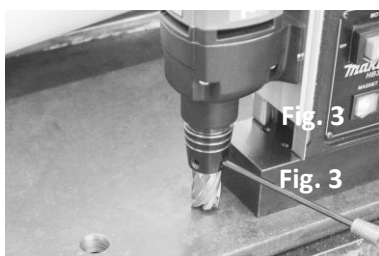
Asegúrese de que las caras planas del vástago de la herramienta estén bien alineadas con los dos tornillos prisioneros del mandril.

Fig. 3.

Asegúrese de que el vástago de la herramienta está completamente introducido en el mandril y apriete los tornillos prisioneros para fijarlo totalmente.

Fig. 4.

La herramienta de corte estará lista para utilizar.



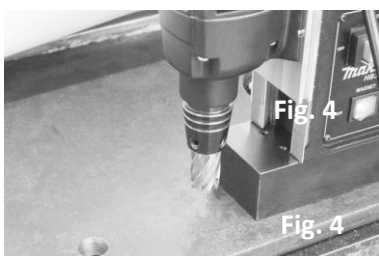
APLICACIÓN DE REFRIGERANTE

- El aceite de corte permite alargar la vida útil de la herramienta y facilita una extracción limpia del material vaciado. La máquina se suministra con un recipiente de 500 ml.

- El aceite se dosifica automáticamente en la herramienta de corte cuando empieza la perforación.

- Si la perforación tiene lugar en una superficie vertical o en posición invertida, se recomienda utilizar pasta, gel o espuma de corte. Lo mejor es aplicar el producto en el interior de la herramienta antes de taladrar.

- Enchufe la máquina a la toma de corriente, el led rojo del panel de control se encenderá.



Nota: para mayor claridad, la protección y la correa de seguridad no se muestran en la fotografía.

FUNCIONAMIENTO



1) Alimentación

Asegúrese de que el taladro está conectado a la alimentación y de que puede usarlo con seguridad.



2) Conexión imán

Para conectar o desconectar el imán, utilice el interruptor como se muestra en la imagen.



3) Arranque motor

Para encender el motor, pulse el interruptor VERDE. Realice la perforación respetando las indicaciones de seguridad.

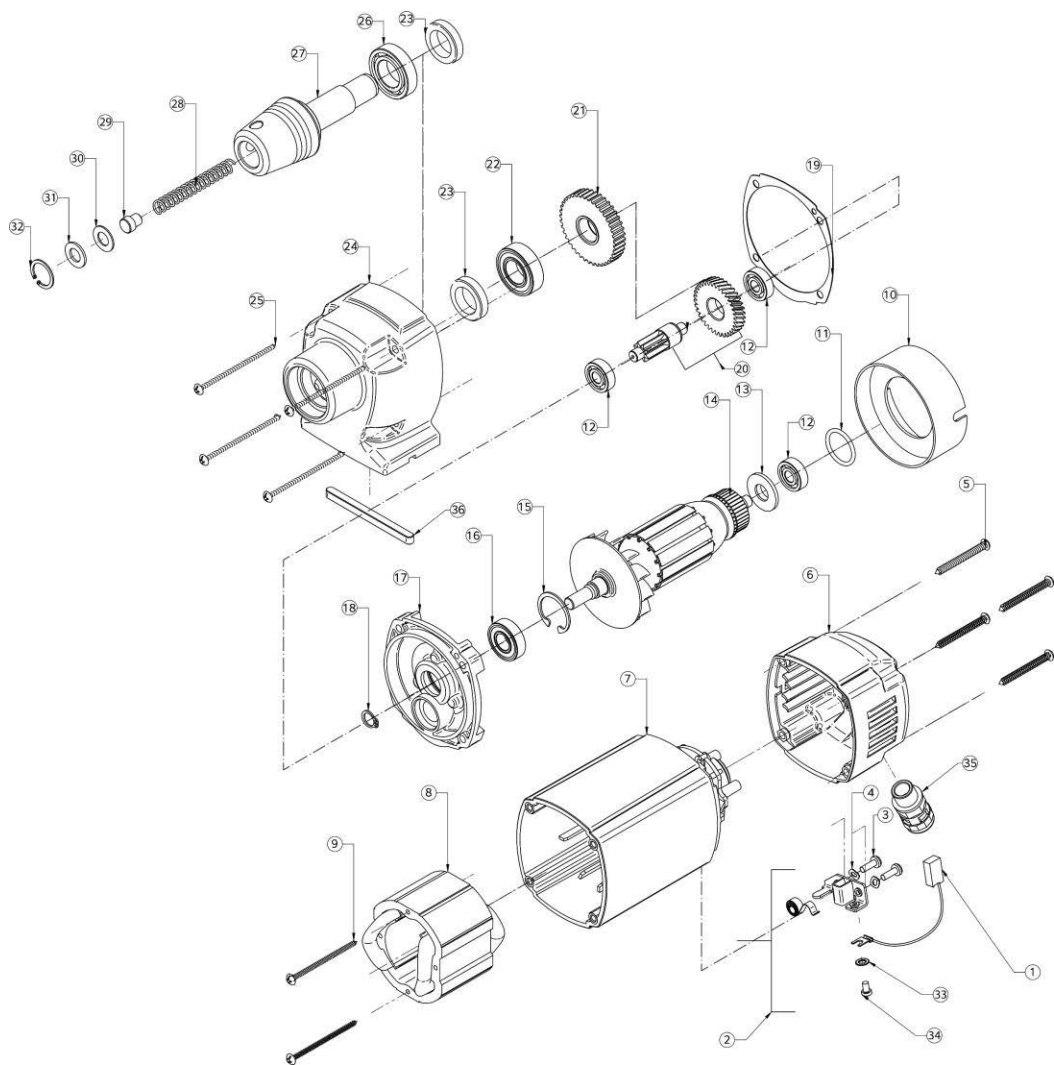


4) Parada motor

Para apagar el motor, pulse el interruptor ROJO. El motor se detendrá y el imán permanecerá encendido.

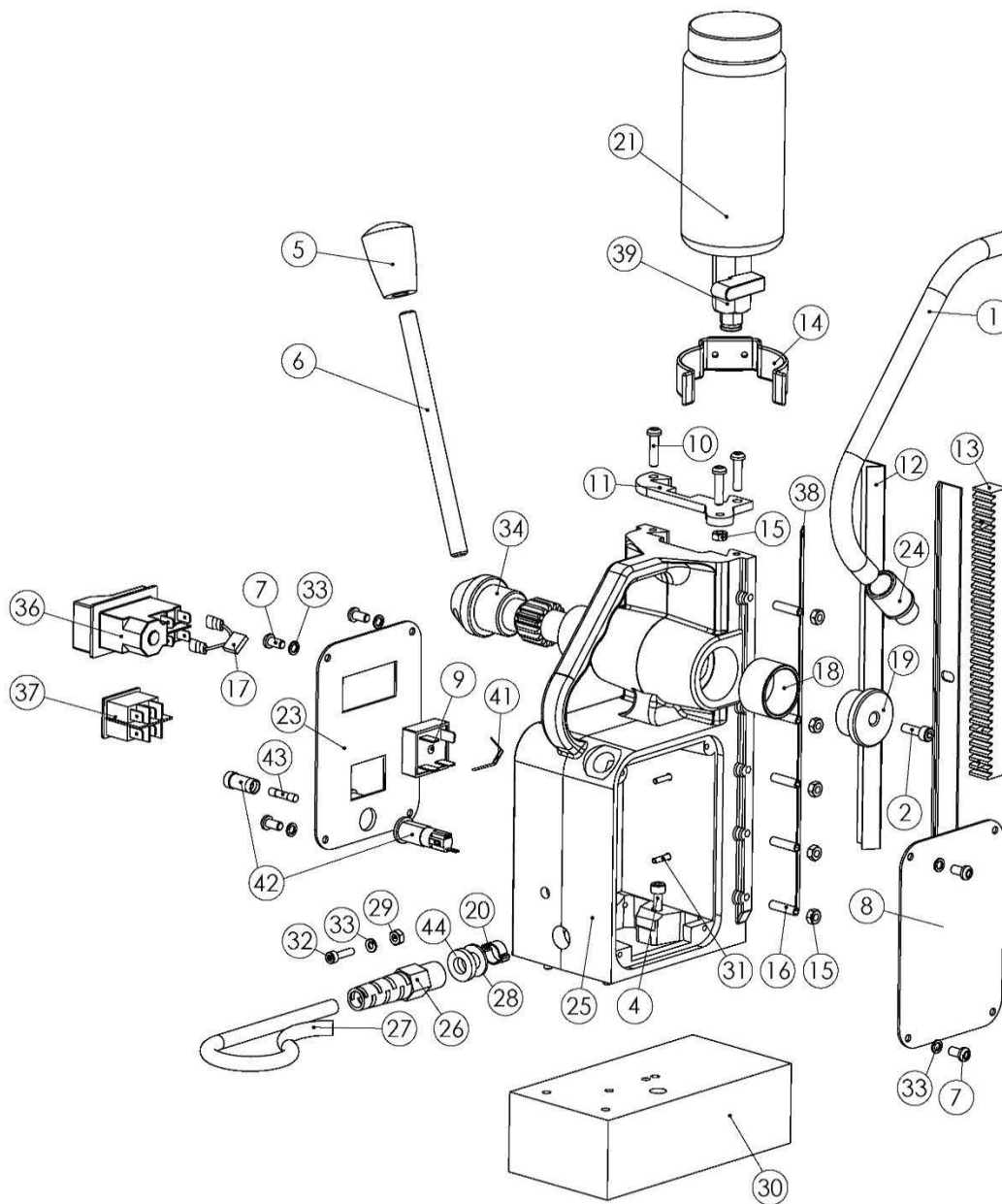
Vuelva al paso 3 para repetir la operación.

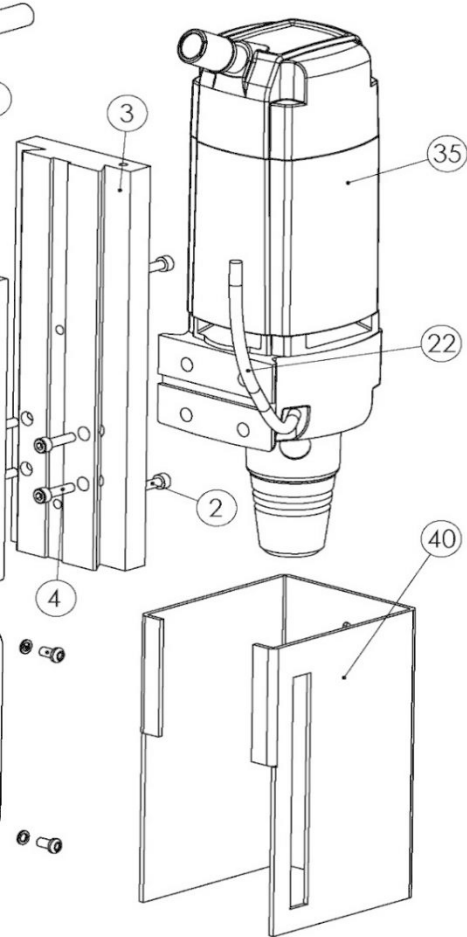
HB350 COMPONENTES DEL MOTOR



N.º	Descripción	Cantidad	Referencia
1	CONJUNTO ESCOBILLA 6.3X10X18	2	EBD002
2	CONJUNTO SOPORTE ESCOBILLA	2	EBD001
3	TORNILLO M4 x 12	2	EBD003
4	ARANDELA DE PRESIÓN M4	2	EBD004
5	TORNILLO AUTORROSCANTE PHILIPS 4.8x45	4	EBD005
6	CUBIERTA TRASERA	1	EIB527
7	CARCASA BOBINA	1	EIB526
8	CONJUNTO BOBINA 110 V	1	EBD008-A
	CONJUNTO BOBINA 230 V	1	EBD008-B
9	TORNILLO AUTORROSCANTE PHILIPS 3.9X60	2	EBD009
10	AMORTIGUADOR RUIDO	1	EBD010
11	JUNTA TÓRICA	1	EBD011
12	RODAMIENTO DE BOLAS (8-22-7) 608 2Z	3	UDC022
13	ARANDELA ANTIPOLVO	1	EBD012
14	CONJUNTO INDUCIDO 110 V	1	EBD013-A
	CONJUNTO INDUCIDO 230 V	1	EBD013-B
15	CIRCLIP 28MM x 1.2 TIPO B	1	EBD014
16	RODAMIENTO DE BOLAS (12-28-8) 6001 2Z	1	UDC023
17	TAPA CAJA TRANSMISIÓN	1	EBD015
18	CIRCLIP 10MM x 1 TIPO A	1	EBD016
19	JUNTA	1	EBD017
20	CONJUNTO EJE INTER	1	EBD018
21	ENGRANAJE ROTATIVO	1	EBD019
22	RODAMIENTO DE BOLAS (17-35-10) 6003 2RS	1	UDC004
23	SELLO ACEITE 20-30-7 TIPO B	2	EBD020
24	CAJA TRANSMISIÓN	1	EBD021
25	TORNILLO AUTORROSCANTE PHILIPS 4.8 X 60	4	EBD022
26	RODAMIENTO DE BOLAS 6904 2RS	1	EBD025
27	CUERPO ÁRBOL	1	EIB528
28	MUELLE ÁRBOL	1	EBD026
29	TAPÓN EYECCIÓN ÁRBOL	1	EBD027
30	ARANDELA ÁRBOL	1	EBD028
31	ARANDELA GOMA ÁRBOL	1	EBD029
32	CIRCLIP ÁRBOL	1	EBD030
33	ARANDELA ESCOBILLA	2	EBD031
34	TORNILLO FIJACIÓN ESCOBILLA	2	EBD032
35	BOQUILLA PRESIÓN PG9	1	40025
36	CHAVETA FIJACIÓN MOTOR	1	M1019

HB350 COMPONENTES SOPORTE





N.º	Descripción	Can	Referencia
1	TUBO (diám. 12 mm) - PMA-PCLT-10B.50	1	M0443
2	TORNILLOS CABEZA HUECA M6 X 16	3	SC616CAP
3	PLACA DESLIZANTE HB350 MAKITA	1	M1000
4	TORNILLOS CABEZA HUECA M6 X 25	7	SC625CAP
5	POMO PALANCA (10 mm INSERTABLE)	3	M0841
6	PALANCA 10MM X 130MM (PEQUEÑA)	3	BD043
7	TORNILLOS CABEZA HUECA M4 X 6	8	SC46BUT
8	PLACA DE ADVERTENCIA MAKITA HB350 CE JAPÓN		M1002
	PLACA DE ADVERTENCIA MAKITA HB350 CE BÉLGICA		M1003
	PLACA DE ADVERTENCIA MAKITA HB350 CSE JAPÓN		M1014
	PLACA DE ADVERTENCIA MAKITA HB350 UKCA REINO UNIDO		M1018
	PLACA DE ADVERTENCIA MAKITA HB350 RCM AUSTRALIA		M1021
9	PUENTE RECTIFICADOR 25 A (395-4310)	1	M0401
10	TORNILLOS CABEZA HUECA M5 X 16	3	SC516CAP
11	SOPORTE ALIMENTACIÓN ACEITE (CUERPO MB30)	1	M0811A
12	PERFIL LATÓN (MB30)	2	M0101
13	CREMALLERA (MB30)	1	M0831
14	CONJUNTO ABRAZADERA RETENCIÓN BOTE ACEITE	1	I0076C
15	TUERCA DE SEGURIDAD M5	6	I0085B
16	TORNILLO PRISIONERO ESTRIADO M5X25	5	I0085A
17	CONDENSADOR	1	RD43118
18	CASQUILLO (PIÑÓN) - CASQUILLO OILITE 33 X 28 X 20	2	M0081
19	TAPÓN EXTREMO PIÑÓN - PROFUNDO	1	M0072
20	ABRAZADERA 8-11 BOCLP8/11	1	RD47179
21	CONJUNTO BOTE ACEITE D5000	1	30046A
22	TUBO POLIURETANO TRANSPARENTE U-06040(30MC) 6MM X 4MM	1	BD029
23	PLACA PANEL CONTROL MAKITA HB350	1	M1001
24	BOQUILLA PRESIÓN M16 - PMA BVND-M160GT	1	40026
25	CUERPO MB30 NEGRO	1	M0001BLK
26	PROTECCIÓN CABLE COMPLETA M16 CON TUERCA DE	1	I0231
27	CABLE E.E. U.U. - CALIBRE 14 - 3M - AB-CAB-870		CABL03
	CABLE EUROPA ENCHUFE MOLDEADO C/W - AB-CAB-876 -		CABL04
	CABLE MAKITA BRASIL ENCHUFE C/W 220 V - 3M		CABL05
	CABLE ALIMENTACIÓN NEGRO 3MTR-110 V ENCHUFE C/W		CABL06
	CABLE ARGENTINA ENCHUFE C/W - 230 V - 3M		CABL08
	CABLE ALIMENTACIÓN 3M AUS/NZ ENCHUFE MOLDEADO		CABL09
	CAB-AB-CAB-866		
28	ARANDELA INTERIOR M8	1	RD47187
29	TUERCA LATÓN M4	1	NUT-M4-B
30	BASE MAGNÉTICA HB350	1	M1020
31	TORNILLO RANURADO MC CABEZA PLANA M4 X 6 -B2P	5	SC46CSK
32	TORNILLO MC CABEZA PLANA M4 X 12 - LATÓN	1	SC412CSK-B
33	ARANDELA ANTIVIBRACIÓN M4--B2P-WSH-227-004-ZC221	9	SPWR-M4
34	PIÑÓN - (PEQUEÑO)	1	M0041
35	UNIDAD TALADRO EIBENSTOCK BHM35 - 110 V MAKITA		EIB522
	UNIDAD TALADRO EIBENSTOCK BHM35 - 230V MAKITA AZUL		EIB523
36	INTERRUPTOR PARADA/ARRANQUE TALADRO - 110 V -		NCP001
	INTERRUPTOR PARADA/ARRANQUE - 230 V - KJD17F-230V-		NCP002
37	INTERRUPTOR IMÁN. PANEL NCP - B418CG00000	1	NCP006
38	G.F.S. (MB30)	1	M0441
39	BOQUILLA PRESIÓN NEGRA 1/8 BSP - 6MM	1	50015
40	PROTECCIÓN NUEVA UNIDAD 1 MBQ35N/EQ35N/EBM35	1	VISO18
41	VARISTOR 318-565 (V150LA10A)		W18XC522
	VARISTOR HIGHSURGE 20MM 275 VRMS		W18XC521
42	SOPORTE FUSIBLE 248-447	1	W18XC511
43	FUSIBLE 2 A (RAPID 26-2469)	1	W18XC512
44	ARANDELA SMBK1869836HPU	1	UOD009

Makita Corporation

3-11-8, Sumiyoshi-cho,
Anjo, Aichi 446-8502 Japan

www.makita.com