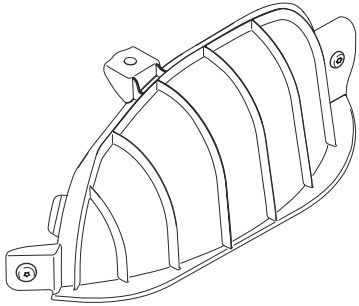




H Husqvarna®

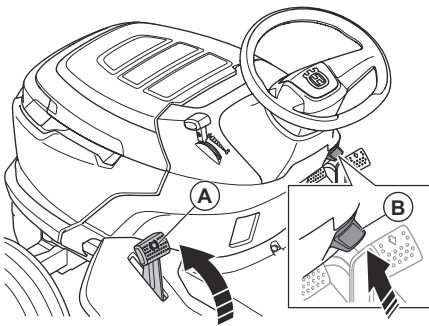
Husqvarna Attachments

Mulch plate 538 89 88-01

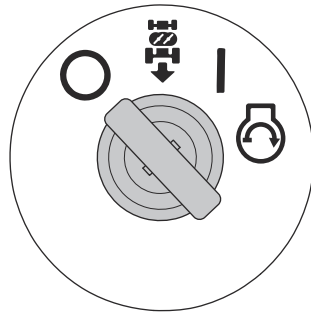


Mulch plate: 538 89 88-01

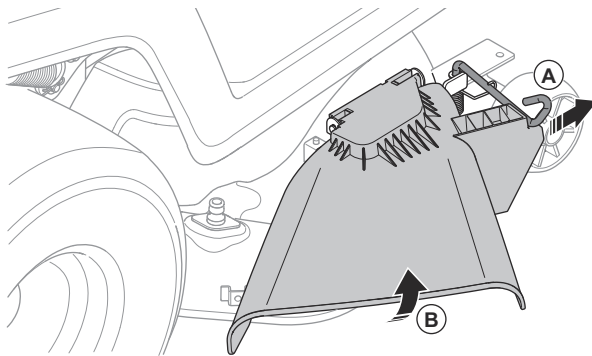
1



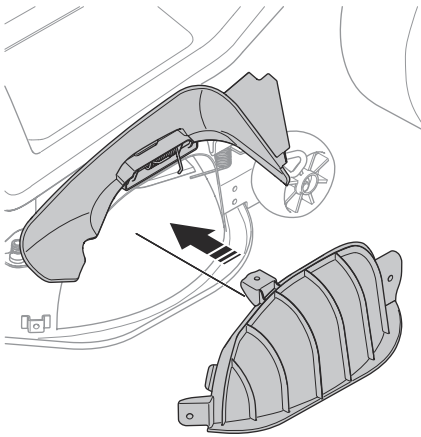
2



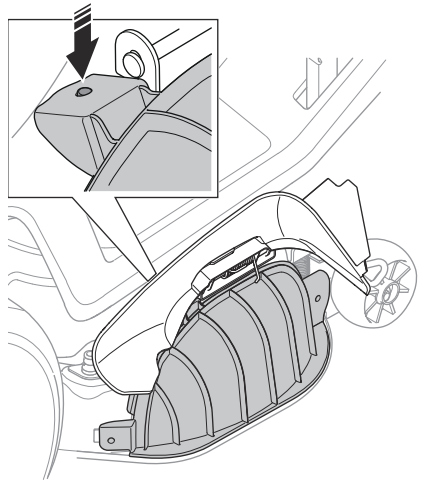
3



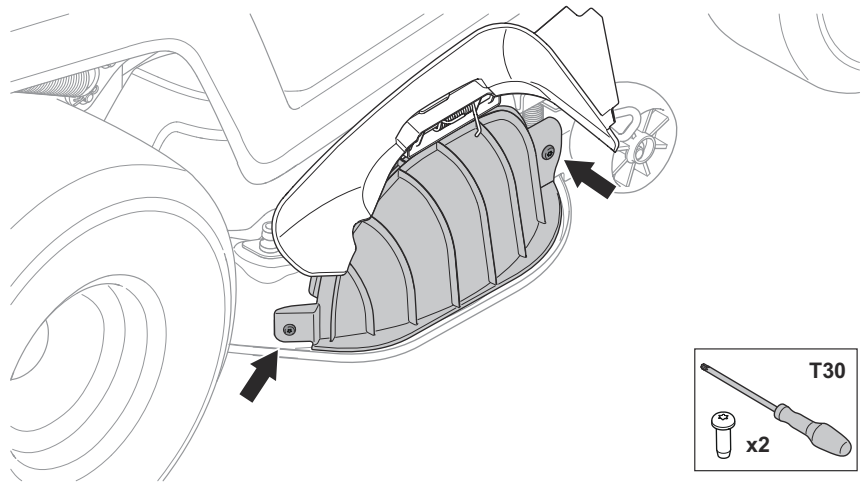
2



3



4





www.husqvarna.com

Original instructions



1143457-38



2023-04-24