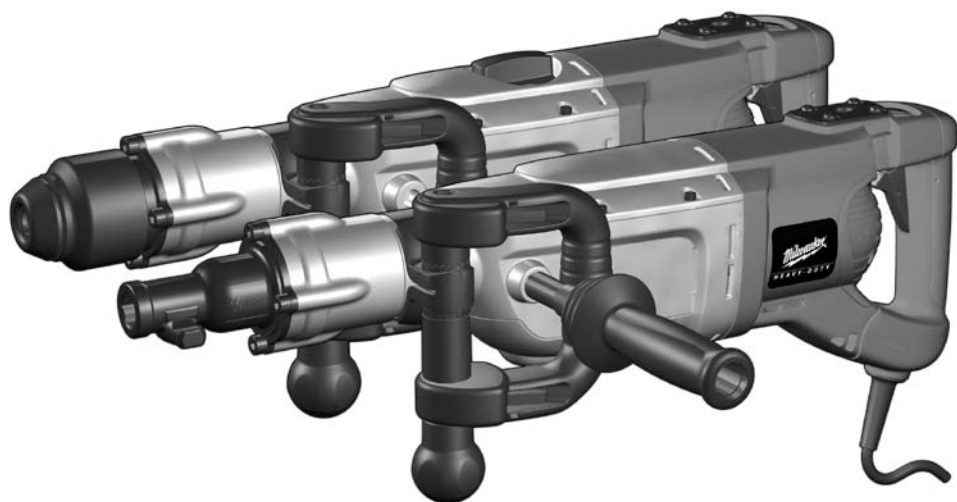


# Milwaukee®

Nothing but **HEAVY DUTY**®



## **K900 K, K900 S** **K950 K, K950 S**

Original instructions  
Originalbetriebsanleitung  
Notice originale  
Istruzioni originali  
Manual original  
Oorspronkelijke  
gebruiksaanwijzing  
Original brugsanvisning  
Original bruksanvisning  
Bruksanvisning i original  
Alkuperäiset ohjeet

Πρωτότυπο οδηγιών χρήσης  
Orijinal işletme talimatı  
Původním návodem k  
používání  
Pôvodný návod na použitie  
Instrukcją oryginalną  
Eredeti használati utasítás  
Izvirna navodila  
Originalne pogonske upute  
Instrukcijām oriģinālvalodā  
Originalni instrukcija

Algupärane kasutusjuhend  
Оригинальное руководство  
по эксплуатации  
Оригинално ръководство за  
експлоатация  
Instrucțiuni de folosire  
originale  
Оригинален прирачник за  
работа  
原始的指南

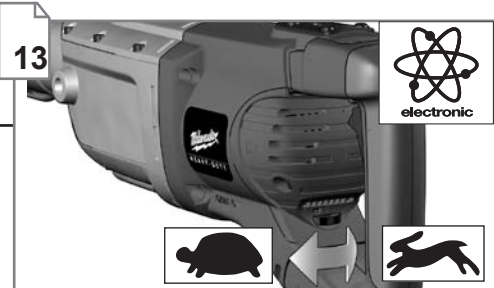
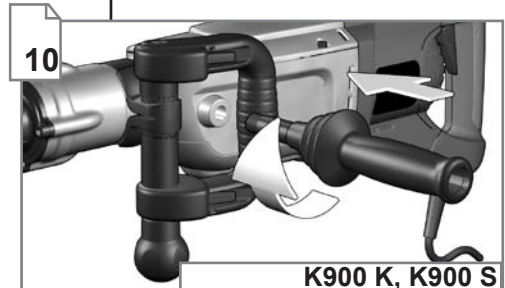
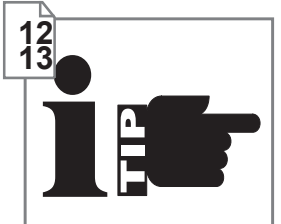
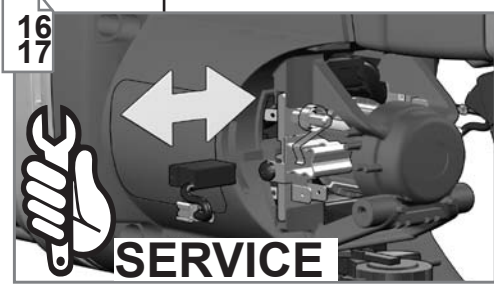
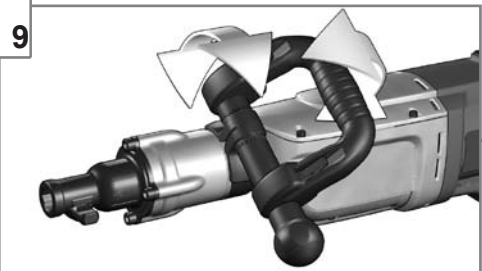
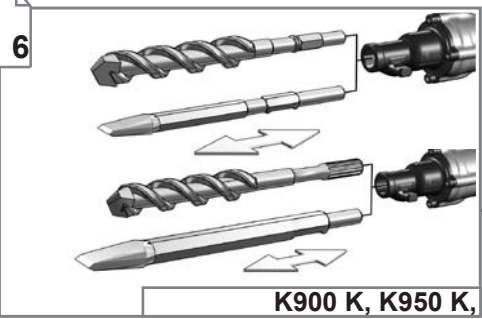
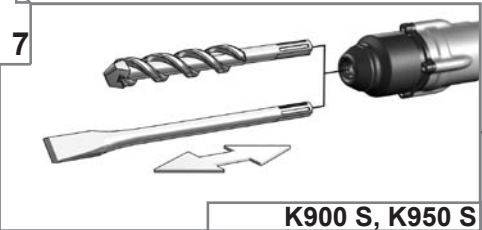
**K900 K, K900 S**

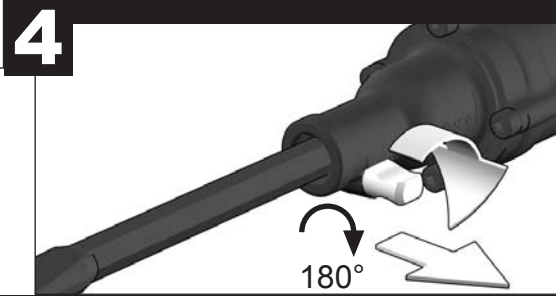
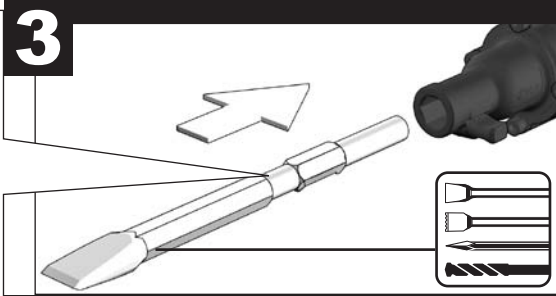
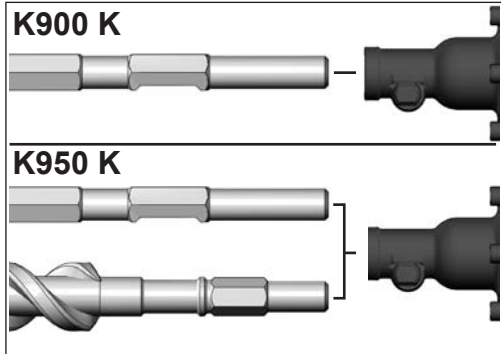
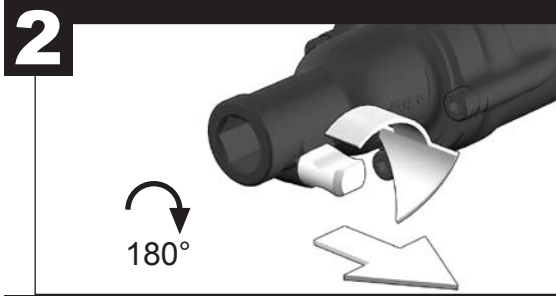
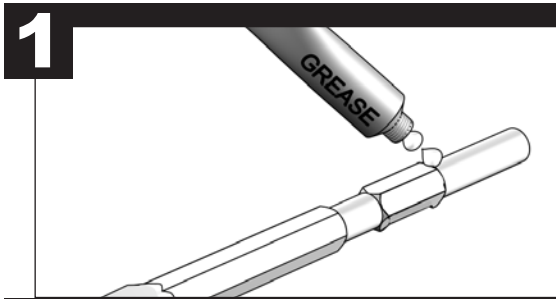
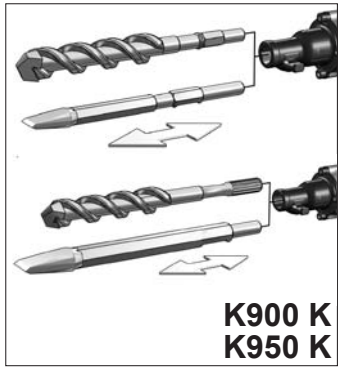
Meißehammer	Młot kujący
Chipping Hammer	Vésókalapács
Burineur	Sekalna kladiva
Martelli demolitori	Klesački čekić
Martillo Cincelador	Ciršanas āmurs
Martelo Perfurador	Karpojimo plaktukas
Hakhamer	Teravhaamer
Meißehammer	Отбойный молоток
Meißehammer	Къртач
Meißehammer	Ciocan de spart
Piikkausvasara	Апарат за длетување
ΚΡΟΥΣΤΙΚΟ ΠΙΣΤΟΛΕΤΟ	凿破机
Keski čekici	
Sekaci kladiva	
Sekacie kladivo	

**K950 K, K950 S**

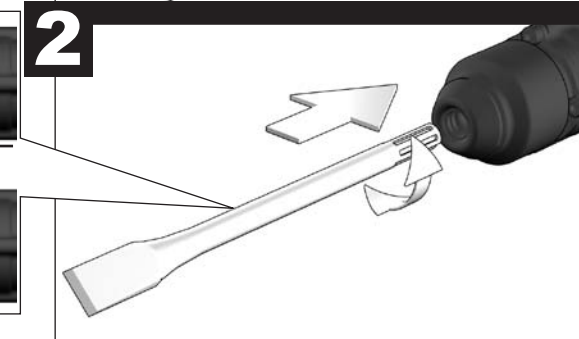
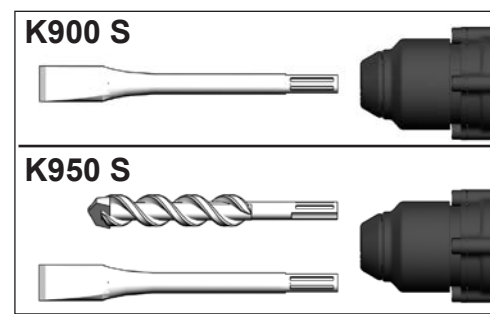
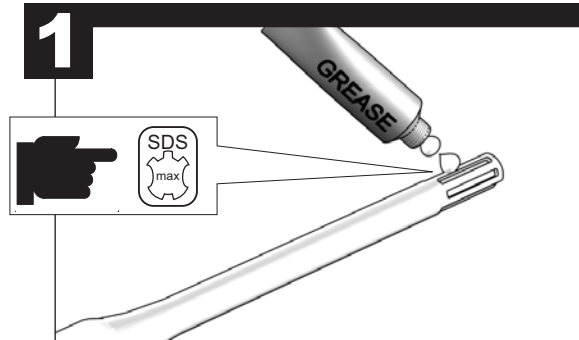
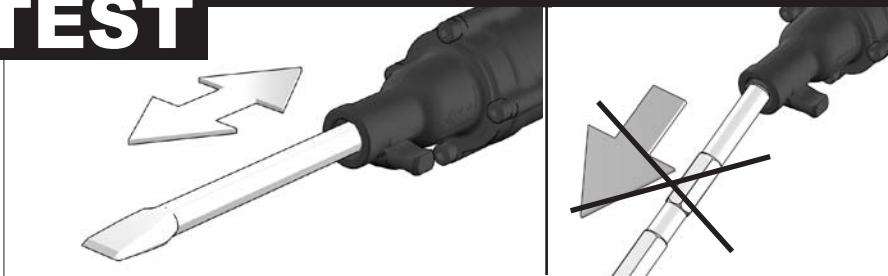
Kombihammer	Młot wielofunkcyjny
Combi Hammer	Kombi fúrókalapács
Perforateur Burineur	Kombinirana kladiva
Martelli combinati	Kombinirani čekić
Martillo Combinado	Combi āmurs
Martelo Combinado	Kombinuotasis plaktukas
Combi-hamer	Combi vasar
Kombihammer	3-х режимный перфоратор
Kombihammer	Комбиниран ударник
Kombihammer	Ciocan combi
Yhdistelmävasara	Комби-чекан
ΠΕΡΙΣΤΡΟΦΙΚΟ-ΣΚΑΠΤΙΚΟ ΠΙΣΤΟΛΕΤΟ	多用锤钻
Kombi čekici	
Kombinovaná kladiva	
Kombinované kladivo	

Technical Data, Safety Instructions, Specified Conditions of Use, EC-Declaration of Conformity, Mains connection, Maintenance, Symbols	Please read and save these instructions!	<b>ENGLISH</b>	<b>20</b>
Technische Daten, Sicherheitshinweise, Bestimmungsgemäße Verwendung, CE-Konformitätserklärung, Netzanschluss, Wartung, Symbole	Bitte lesen und aufbewahren!	<b>DEUTSCH</b>	<b>22</b>
Caractéristiques techniques, Instructions de sécurité, Utilisation conforme aux prescriptions, Déclaration CE de Conformité, Branchement secteur, Entretien, Symboles	Prière de lire et de conserver!	<b>FRANÇAIS</b>	<b>24</b>
Dati tecnici, Norme di sicurezza, Utilizzo conforme, Dichiarazione di Conformità CE, Collegamento alla rete, Manutenzione, Simboli	Si prega di leggere le istruzioni e di conservarle!	<b>ITALIANO</b>	<b>26</b>
Datos técnicos, Instrucciones de seguridad, Aplicación de acuerdo a la finalidad, Declaración de Conformidad CE, Conexión eléctrica, Mantenimiento, Símbolos	Lea y conserve estas instrucciones por favor!	<b>ESPAÑOL</b>	<b>28</b>
Características técnicas, Instruções de segurança, Utilização autorizada, Declaração de Conformidade CE, Ligação à rede, Manutenção, Símbolo	Por favor leia e conserve em seu poder!	<b>PORTUGUES</b>	<b>30</b>
Technische gegevens, Veiligheidsadviezen, Voorgescreven gebruik van het systeem, EC-Konformiteitsverklaring, Netaansluiting, Onderhoud, Symbolen	Lees en let goed op deze instructies!	<b>NEDERLANDS</b>	<b>32</b>
Tekniske data, Sikkerhedshenvisninger, Tiltænkt formål, CE-Konformitetserklæring, Netttilslutning, Vedligeholdelse, Symboler	Vær venlig at læse og opbevare!	<b>DANSK</b>	<b>34</b>
Tekniske data, Spesielle sikkerhetshenvisninger, Formålmessig bruk, CE-Samsvarserklæring, Netttilkopling, Vedlikehold, Symboler	Vennligst les og oppbevar!	<b>NORSK</b>	<b>36</b>
Tekniska data, Sakerhetsutrustning, Använd maskinen Enligt anvisningarna, CE-Försäkran, Nätanslutning, Skötsel, Symboler	Var god läs och tag tillvara dessa instruktioner!	<b>SVENSKA</b>	<b>38</b>
Tekniset arvot, Turvallisuusohjeet, Tarkoituksenmukainen käyttö, Todistus CE-standardin mukaisuudesta, Verkkoliitäntä, Huolto, Symbolit	Lue ja säilytä!	<b>SUOMI</b>	<b>40</b>
Τεχνικά στοιχεία, Ειδικές υποδείξεις ασφαλείας, Χρήση σύμφωνα με το σκοπο προορισμού, Δήλωση πιστότητας εκ, Συνδεδεισμένο στο ηλεκτρικό δίκτυο, Συντήρηση, Σύμβολα	Παρακαλώ διαβάστε τις και φυλάξτε τις!	<b>ΕΛΛΗΝΙΚΑ</b>	<b>42</b>
Teknik veriler, Güvenliğinizi için talimatlar, Kullanım, CE uygunluk beyanince, Şebeke bağlantısı, Bakım, Semboller	Lütfen okuyun ve saklayın!	<b>TÜRKÇE</b>	<b>44</b>
Technická data, Speciální bezpečnostní upozornění, Oblast využití, Ce-prohlášení o shodě, Připojení na síť, Údržba, Symboly	Po přečtení uschovejte!	<b>ČESKY</b>	<b>46</b>
Tehniké údaje, Speciálne bezpečnostné pokyny, Použitie podľa predpisov, CE-Vyhlasenie konformity, Sieťová prípojka, Údržba, Symboly	Prosím prečítať a uschovať!	<b>SLOVENSKY</b>	<b>48</b>
Dane techniczne, Specjalne zalecenia dotyczace bezpieczenstwa, Uzytkowanie zgodnie z przeznaczeniem, Swiadczenie zgodnosci ce, Podlaczenie do sieci, Gwarancja, Symboly	Prosimy o uwazne przeczytanie i przestrzeganie zalecen zamie szczyzonych w tej instrukcji.	<b>POLSKI</b>	<b>50</b>
Műszaki adatok, Különleges biztonsági tudnivalók, Rendeltetésszerű használat, Ce-azonosság nyilatkozat, Hálózati csatlakoztatás, Karbantartás, Szimbólumok	Olvassa el és őrizze meg!	<b>MAGYAR</b>	<b>52</b>
Tehnični podatki, Specialni varnostni napotki, Uporaba v skladu z namembnostjo, Ce-izjava o konformnosti, Omrežni priključek, Vzdrževanje, Simboli	Prosimo preberite in shranite!	<b>SLOVENSKO</b>	<b>54</b>
Tehnički podaci, Specijalne sigurnosne upute, Propisna upotreba, CE-Izjava konformnosti, Priključak na mrežu, Održavanje, Simboli	Molimo pročitati i sačuvati!	<b>HRVATSKI</b>	<b>56</b>
Tehniskie dati, Speciālie drošības noteikumi, Noteikumiem atbilstošs izmantojums, Atbilstība CE normām, Tīkla pieslēgums, Apkope, Simboli	Pielikums lietošanas pamācībai!	<b>LATVISKI</b>	<b>58</b>
Techiniai duomenys, Ypatingos saugumo nuorodos, Naudojimas pagal paskirtį, CE Atitikties pareiškimas, Elektros tinklo jungtis, Techninis aptarnavimas, Simboliai	Prašome perskaityti ir neišmesti!	<b>LIETUVIŠKAI</b>	<b>60</b>
Tehnilised andmed, Spetsiaalsed turvajuhised, Kasutamine vastavalt otstarbele, EU Vastavusavaldus, Võrku ühendamine, Hooldus, Sümbolid	Palun lugege läbi ja hoidke alal!	<b>EESTI</b>	<b>62</b>
Технические данные, Рекомендации по технике безопасности, Использо- вание, Подключение к электросети, Обслуживание, Символы	Пожалуйста, прочтите и сохраните настоящую инструкцию!	<b>РУССКИЙ</b>	<b>64</b>
Технически дани, Специални указания за безопасност, Използване по предназначение, CE-Декларация за съответствие, Свързване към мрежата, Поддръжка, Символи	Моля прочетете и запазете!	<b>БЪЛГАРСКИ</b>	<b>66</b>
Date tehnice, Instrucțiuni de securitate, Condiții de utilizare specificate, Declarație de conformitate, Alimentare de la rețea, Intreținere, Simboluri	Va rugăm citiți și păstrați aceste instrucțiuni!	<b>ROMÂNIA</b>	<b>68</b>
Технички Податоци, Упатство За Употреба, Специфицирани Услови На Употреба, Еу-декларација За Сообразност, Главни Врски, Одржување, Символи	Ве молиме прочитајте го и чувајте го ова упатство!	<b>МАКЕДОНСКИ</b>	<b>70</b>
技术数据, 特殊安全指示, 正确地使用机器, 欧洲安全规定说明, 电源插头, 维修, 符号	请仔细阅读并妥善保存!	<b>中文</b>	<b>72</b>

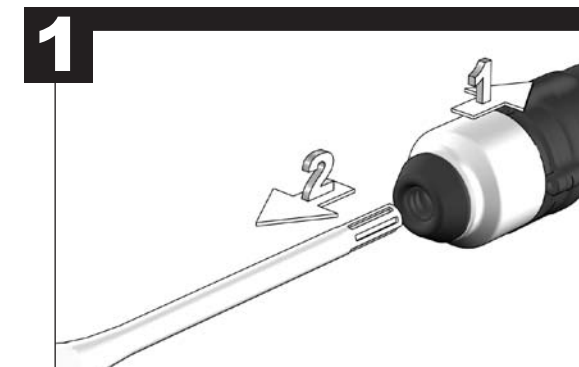
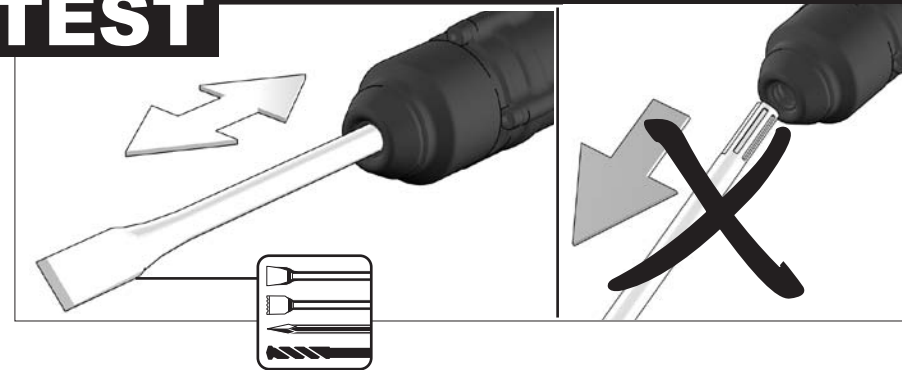




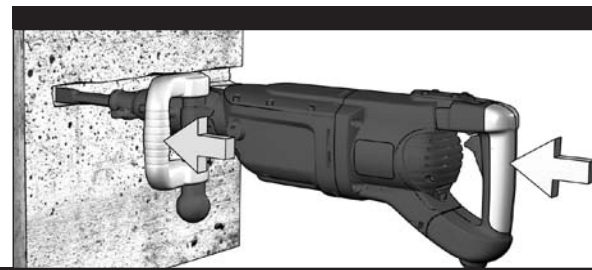
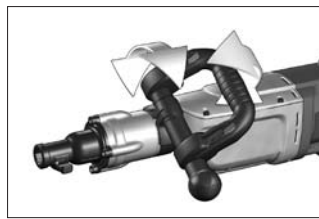
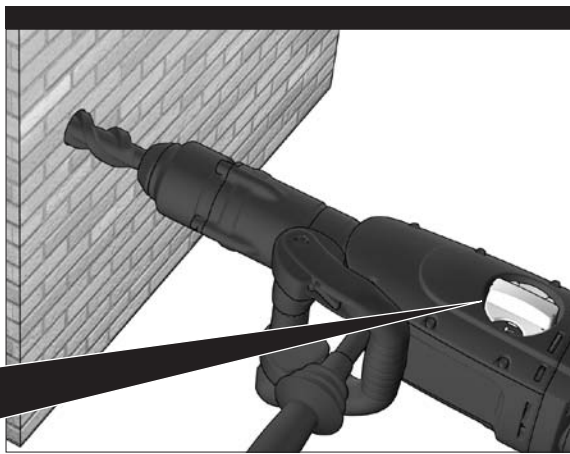
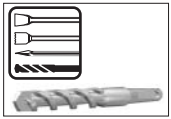
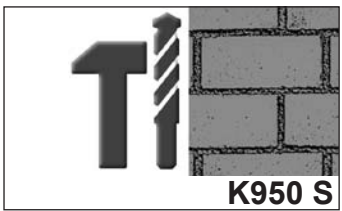
**TEST**



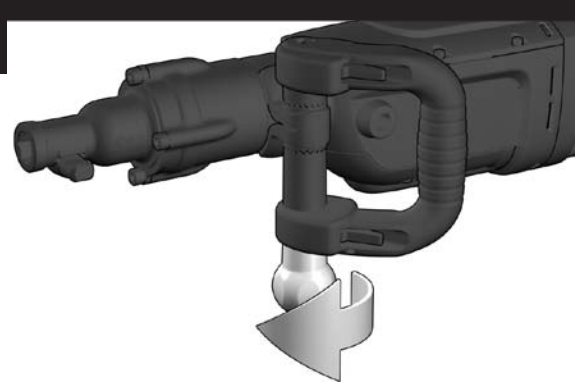
**TEST**



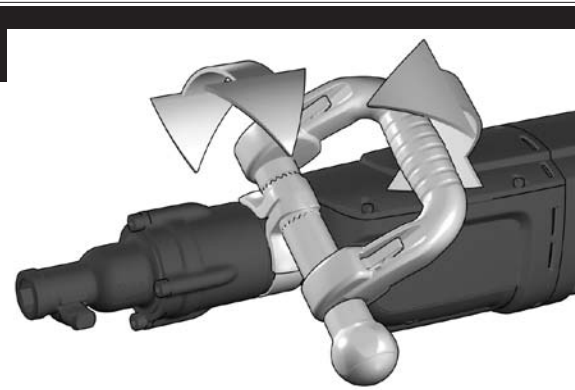




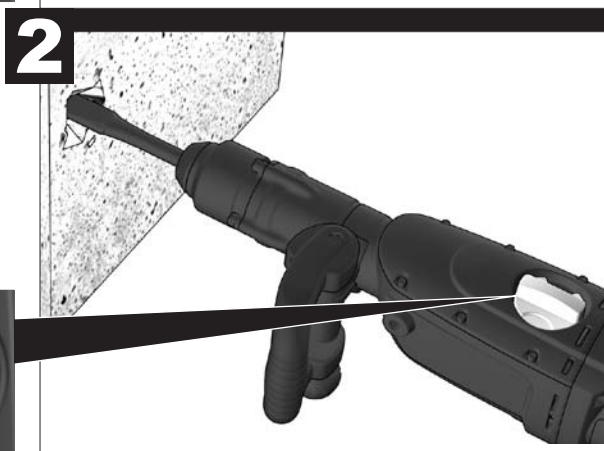
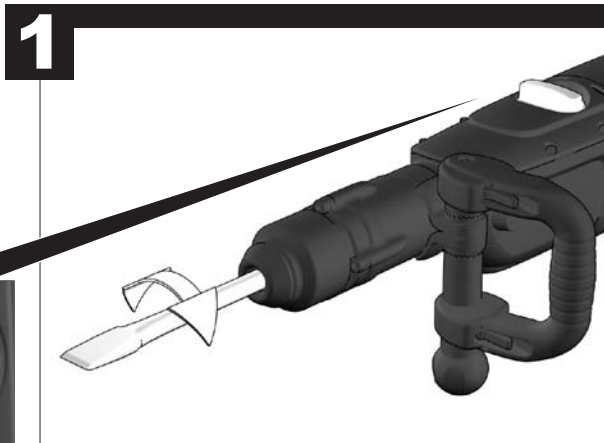
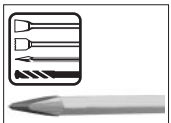
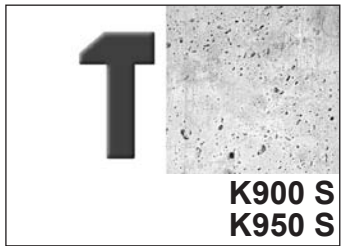
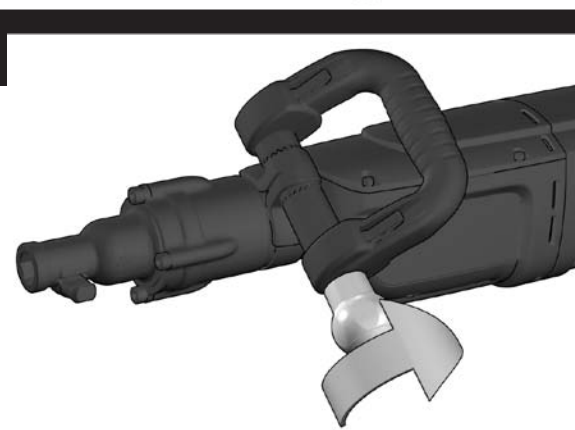
**1**

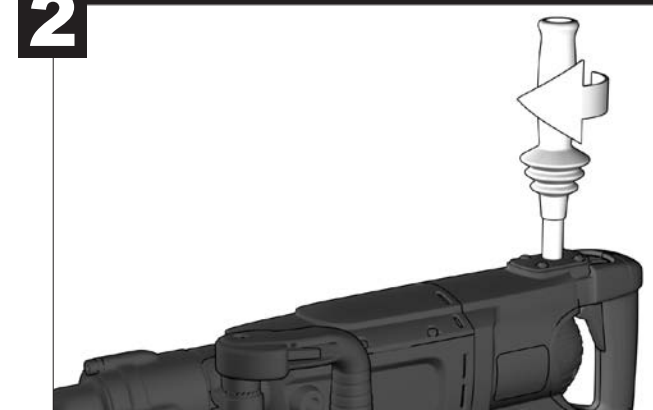
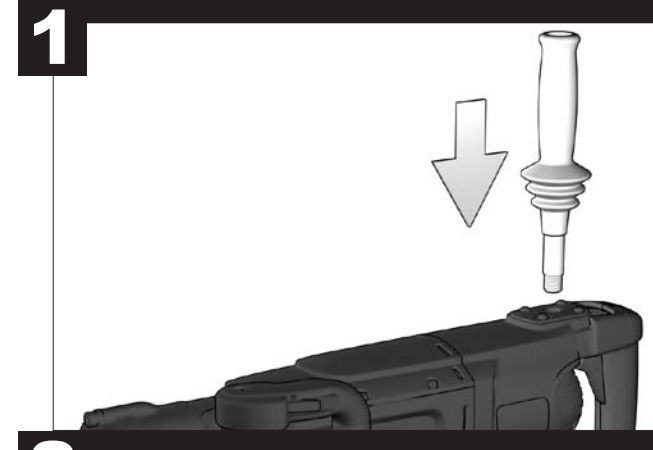
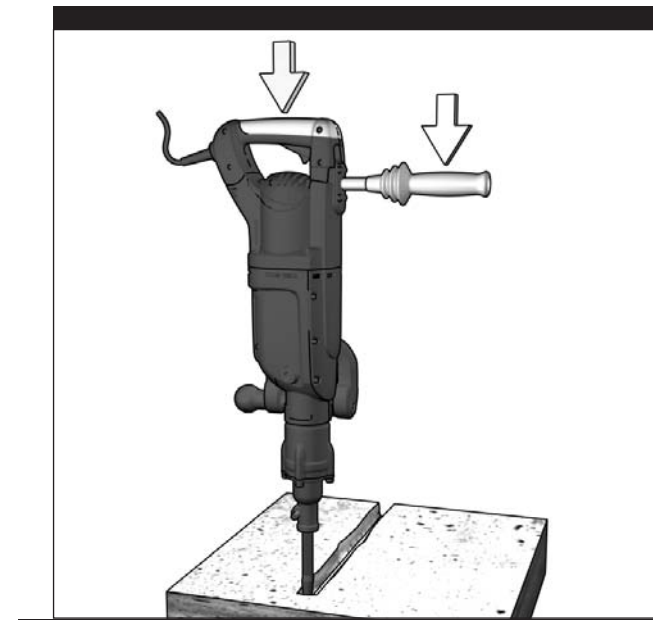
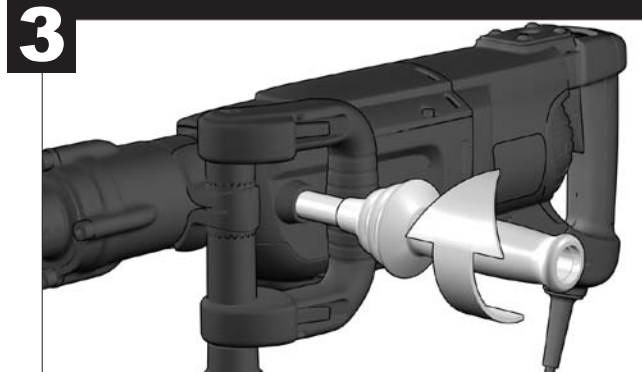
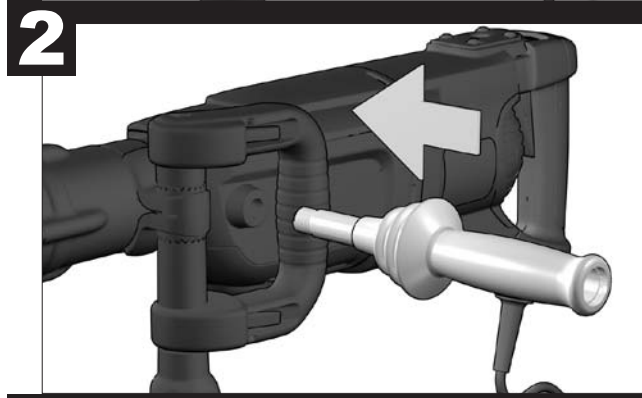
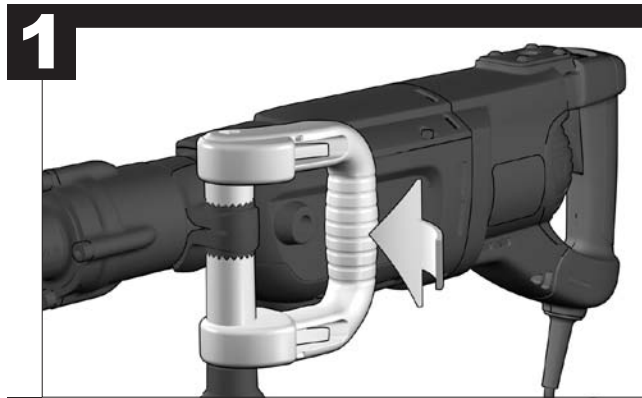
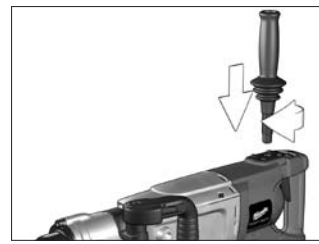
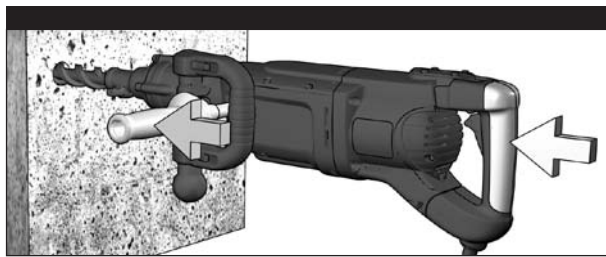
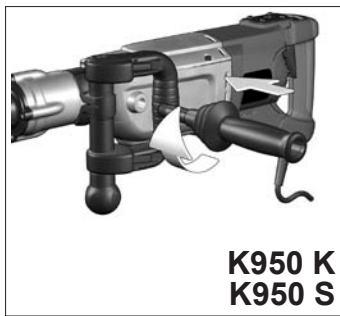


**2**



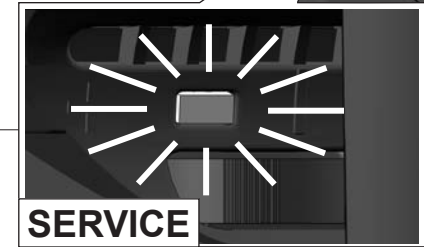
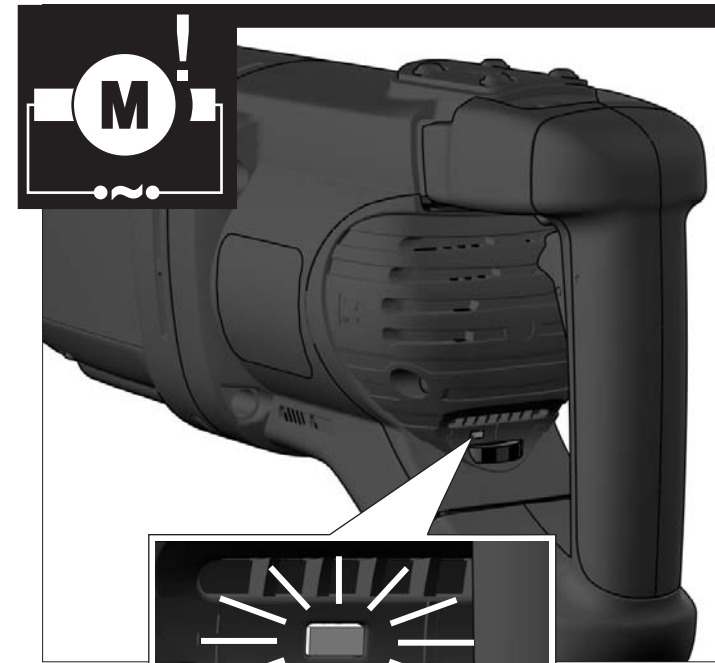
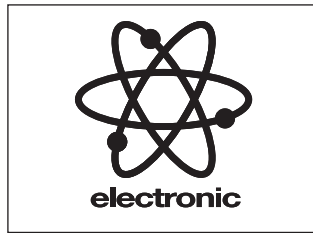
**3**



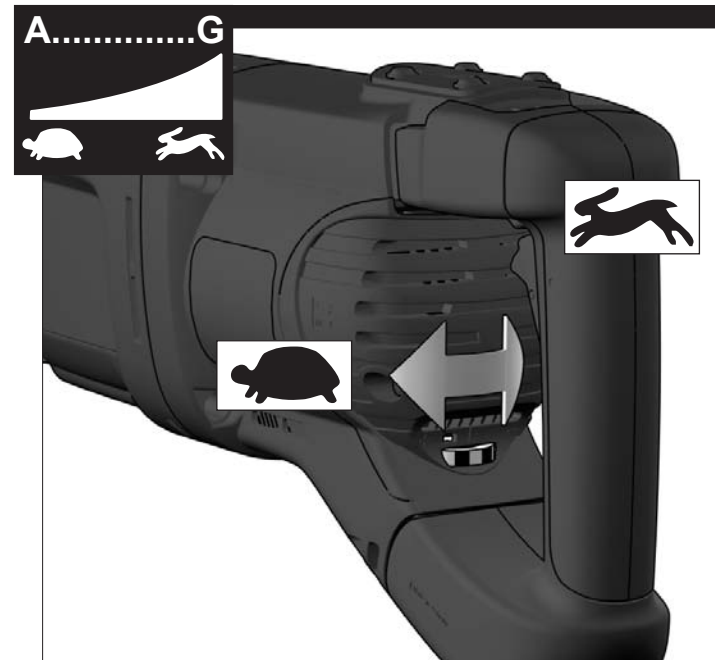


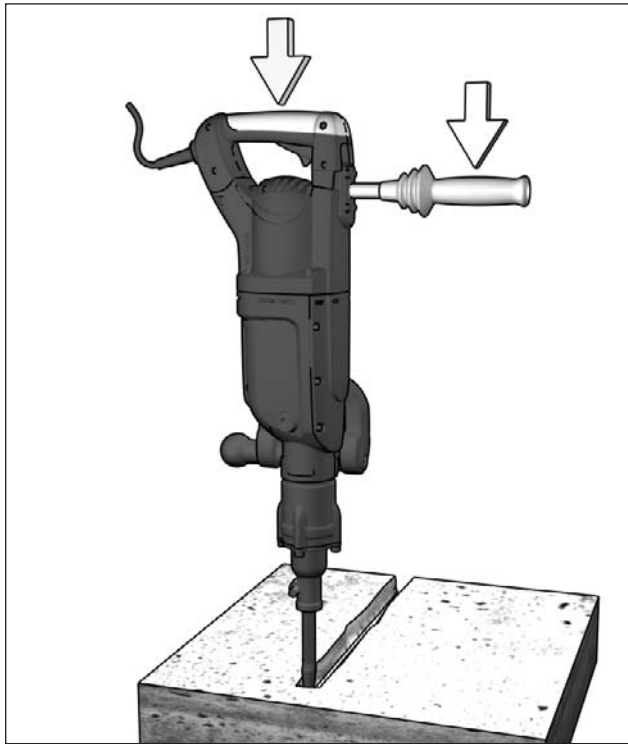
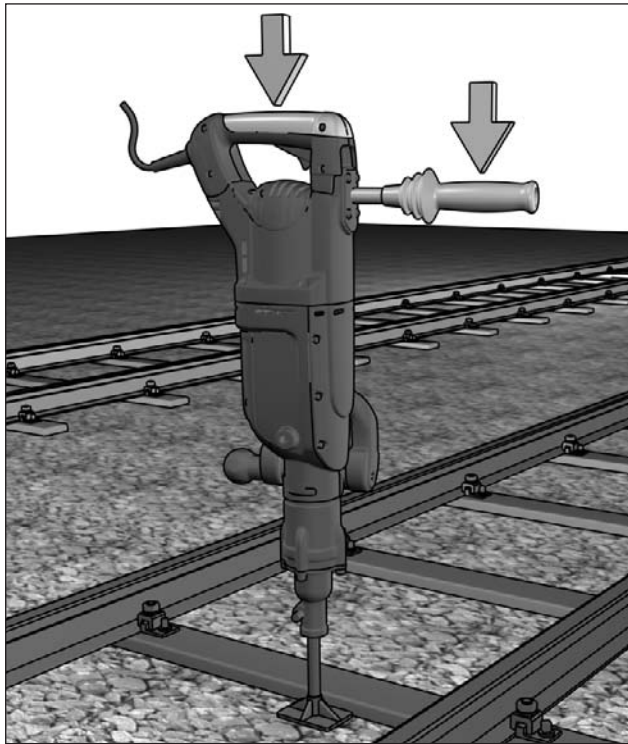
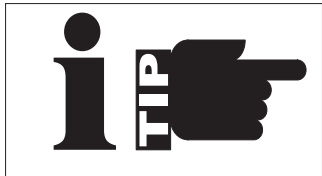


# START

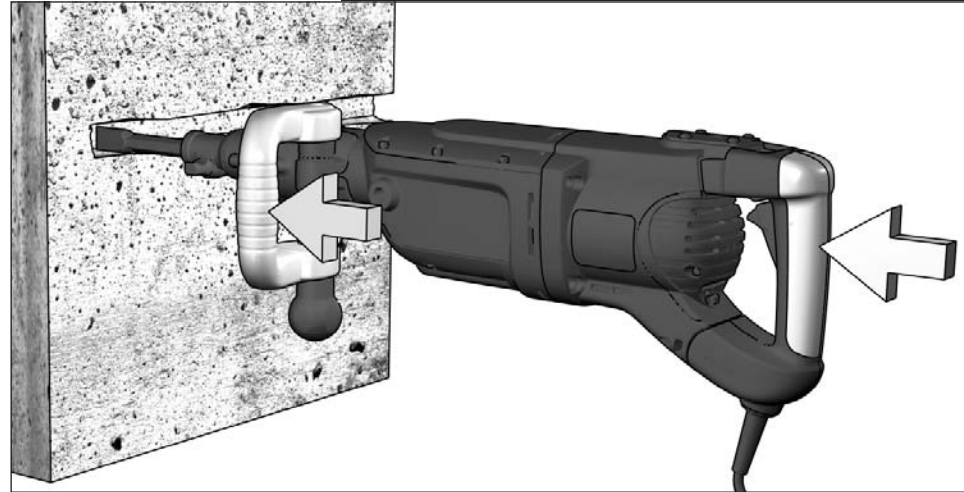
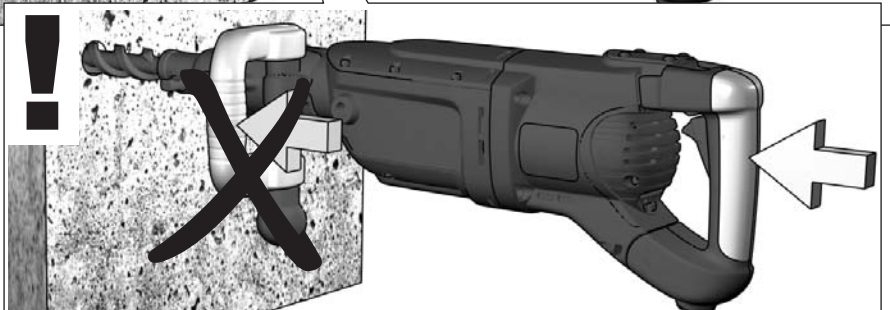
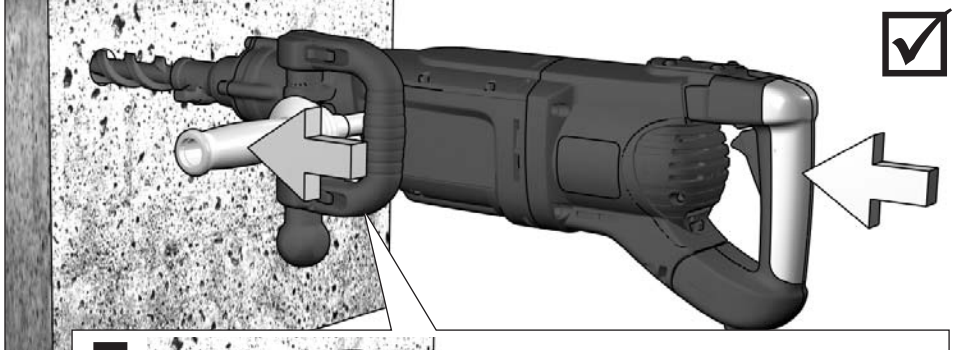


# STOP



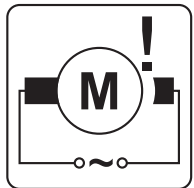


K950 K, K950 S



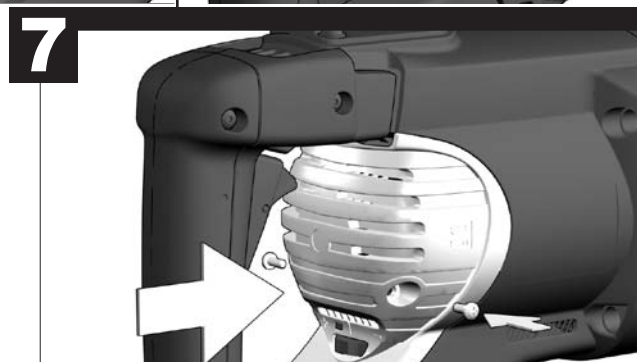
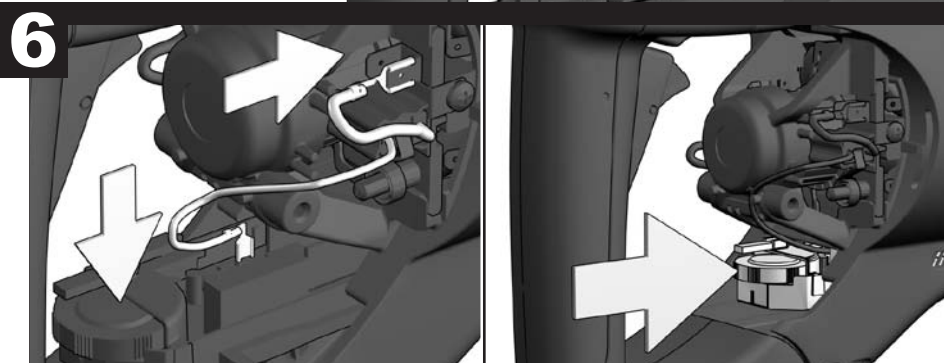
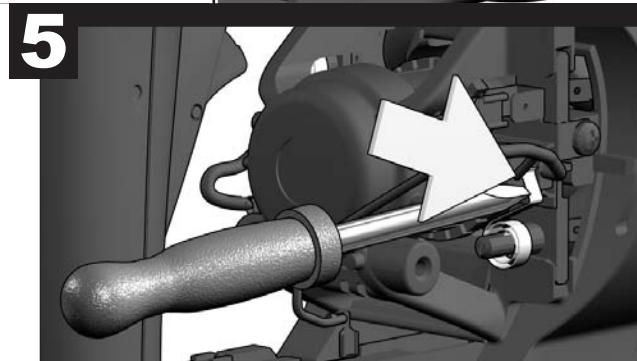
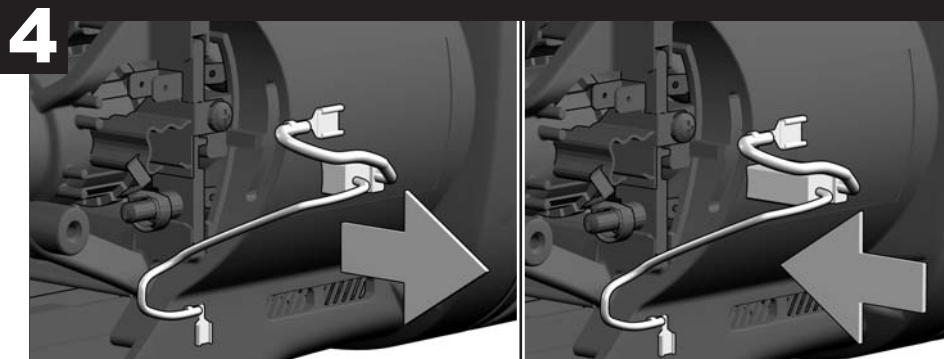
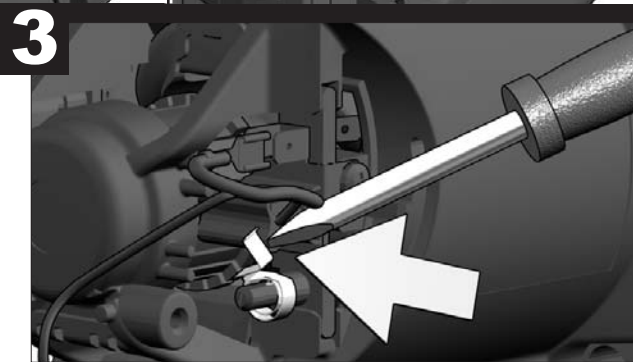
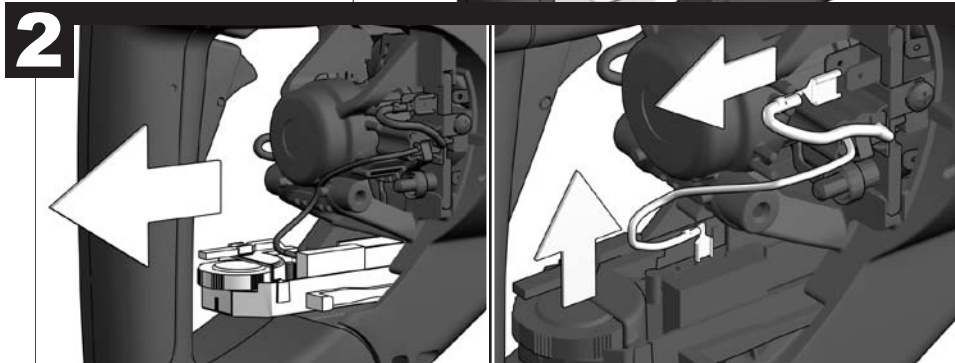
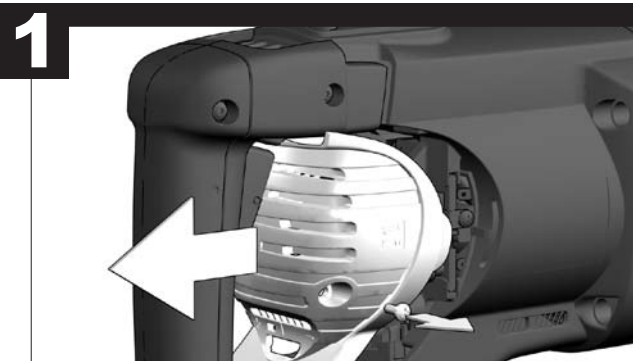


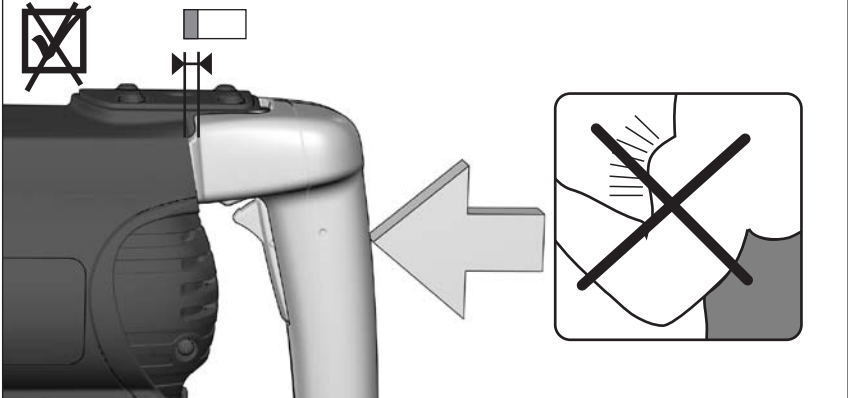
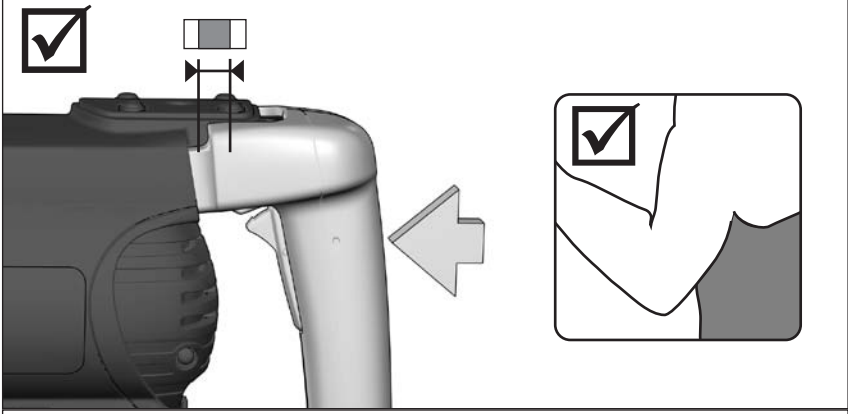
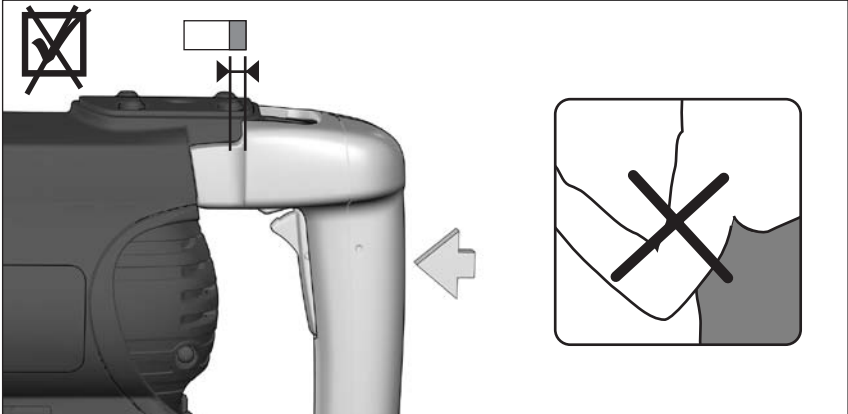
SERVICE



AUTOMATIC  
STOP

SERVICE





TECHNICAL DATA		K950 K	K950 S
Production code.....	4171 25 01...	4171 57 01...	
.....	4171 35 01...	4171 61 01...	
.....	4171 43 01...	4171 63 01...	
.....	...000001-999999	...000001-999999	
Rated input .....	1700 W	1700 W	
Output.....	850 W	850 W	
No-load speed .....	125-250 min <sup>-1</sup>	125-250 min <sup>-1</sup>	
Speed under load max.....	125-250 min <sup>-1</sup>	125-250 min <sup>-1</sup>	
Rate of percussion under load max.....	975-1950 min <sup>-1</sup>	975-1950 min <sup>-1</sup>	
Impact energy per stroke according to EPTA-Procedure 05/2009 .....	20 J	20 J	
Drilling capacity in concrete.....	28-50 mm	28-50 mm	
Tunnel bit in concrete, bricks and limestone .....	50-80 mm	50-80 mm	
Core cutter in concrete, bricks and limestone .....	45-150 mm	45-150 mm	
Weight according EPTA-Procedure 01/2003 .....	11,8 kg	11,8 kg	

**Noise Information**  
 Measured values determined according to EN 60 745.  
 Typically, the A-weighted noise levels of the tool are:  
 Sound pressure level (K=3 dB(A)) ..... 100 dB (A)  
 Sound power level (K=3 dB(A))..... 111 dB (A)

**Wear ear protectors!**  
**Vibration Information**  
 Total vibration values (vector sum in the three axes)  
 determined according to EN 60745.  
 Vibration emission value a<sub>v</sub>:  
 Hammer-drilling in concrete: ..... 12,5 m/s<sup>2</sup> ..... 12,5 m/s<sup>2</sup>  
 Uncertainty K = ..... 2 m/s<sup>2</sup> ..... 2 m/s<sup>2</sup>  
 Chiselling: ..... 11 m/s<sup>2</sup> ..... 11 m/s<sup>2</sup>  
 Uncertainty K = ..... 2 m/s<sup>2</sup> ..... 2 m/s<sup>2</sup>

TECHNICAL DATA		K900 K	K900 S
Production code.....	4427 82 01...	4427 79 01...	
.....	4171 45 01...	4171 67 01...	
.....	4171 50 01...	4171 71 01...	
.....	4171 55 01...	4171 73 01...	
.....	4171 53 01...		
.....	...000001-999999	...000001-999999	
Rated input .....	1600 W	1600 W	
Output.....	800 W	800 W	
Rate of percussion under load max.....	975-1950 min <sup>-1</sup>	975-1950 min <sup>-1</sup>	
Impact energy per stroke according to EPTA-Procedure 05/2009 .....	20 J	20 J	
Weight according EPTA-Procedure 01/2003 .....	11,0 kg	11,0 kg	

**Noise Information**  
 Typically the A-weighted sound pressure level of the tool is ..... 94 dB (A) ..... 94 dB (A)  
 Measured values determined according to 2005/88/EG at the user's ear.  
 2005/88/EC: Conformity assessment procedure according to Annex VI.  
 Notified Body:  
 VDE Testing and Certification Institute, Merianstr. 28,  
 63069 Offenbach, Germany  
 Measured sound power level..... 102 dB (A) ..... 102 dB (A)  
 Guaranteed sound power level..... 105 dB (A) ..... 105 dB (A)

**Wear ear protectors!**  
**Vibration Information**  
 Total vibration values (vector sum in the three axes)  
 determined according to EN 60745.  
 Vibration emission value a<sub>v</sub>:  
 Chiselling: ..... 11 m/s<sup>2</sup> ..... 11 m/s<sup>2</sup>  
 Uncertainty K = ..... 2 m/s<sup>2</sup> ..... 2 m/s<sup>2</sup>

**WARNING**  
 The vibration emission level given in this information sheet has been measured in accordance with a standardised test given in EN 60745 and may be used to compare one tool with another. It may be used for a preliminary assessment of exposure.  
 The declared vibration emission level represents the main applications of the tool. However if the tool is used for different applications, with different accessories or poorly maintained, the vibration emission may differ. This may significantly increase the exposure level over the total working period.  
 An estimation of the level of exposure to vibration should also take into account the times when the tool is switched off or when it is running but not actually doing the job. This may significantly reduce the exposure level over the total working period.  
 Identify additional safety measures to protect the operator from the effects of vibration such as: maintain the tool and the accessories, keep the hands warm, organisation of work patterns.

**⚠ WARNING! Read all safety warnings and all instructions.** Failure to follow the warnings and instructions may result in electric shock, fire and/or serious injury.  
**Save all warnings and instructions for future reference.**

**SAFETY INSTRUCTIONS**

**Wear ear protectors. Exposure to noise can cause hearing loss.**  
**Use auxiliary handles supplied with the tool.** Loss of control can cause personal injury.  
**Hold power tool by insulated gripping surfaces, when performing an operation where the cutting accessory may contact hidden wiring or its own cord.** Cutting accessory contacting a „live“ wire may make exposed metal parts of the power tool „live“ and could give the operator an electric shock.

Appliances used at many different locations including open air should be connected via a residual current device of 30 mA or less.

Always wear goggles when using the machine. It is recommended to wear gloves, sturdy non slipping shoes and apron.

Sawdust and splinters must not be removed while the machine is running.

Always disconnect the plug from the socket before carrying out any work on the machine.

Only plug-in when machine is switched off.

Keep mains lead clear from working range of the machine. Always lead the cable away behind you.

When working in walls ceiling, or floor, take care to avoid electric cables and gas or waterpipes.

The dust produced when using this tool may be harmful to health. Do not inhale the dust. Wear a suitable dust protection mask.

**SPECIFIED CONDITIONS OF USE**

K950 K, K950 S: The pneumatic hammer can be universally used for hammer drilling and chiselling in stone and concrete.

K900 K, K900 S: The hammer can be used for chiselling in stone and concrete.

Do not use this product in any other way as stated for normal use.

**EC-DECLARATION OF CONFORMITY**

We declare under our sole responsibility that the product described under "Technical Data" fulfills all the relevant regulations and the directives 2011/65/EU (RoHS), 2006/42/EC, 2004/108/EC, 2005/88/EC (K900 K, K900 S) and the following harmonized standards have been used:

- EN 60745-1:2009 + A11:2010
- EN 60745-2-6:2010
- EN 55014-1:2006 + A1:2009 + A2:2011
- EN 55014-2:1997 + A1:2001 + A2:2008
- EN 61000-3-2:2006 + A1:2009 + A2:2009
- EN 61000-3-3:2008

Winnenden, 2012-12-13

  
 Alexander Krug  
 Managing Director  
 Authorized to compile the technical file.  
 Techtronic Industries GmbH  
 Max-Eyth-Straße 10  
 71364 Winnenden  
 Germany



**MAINS CONNECTION**

Connect only to single-phase a.c. current and only to the system voltage indicated on the rating plate. It is also possible to connect to sockets without an earthing contact as the design conforms to safety class II.

**MAINTENANCE**


The ventilation slots of the machine must be kept clear at all times.


Important note! If the carbon brushes are worn, in addition to exchanging the brushes the tool should be sent to after-sales service. This will ensure long service life and top performance.


Use only Milwaukee accessories and Milwaukee spare parts. Should components need to be replaced which have not been described, please contact one of our Milwaukee service agents (see our list of guarantee/service addresses).


If needed, an exploded view of the tool can be ordered. Please state the Article No. as well as the machine type printed on the label and order the drawing at your local service agents or directly at: Techtronic Industries GmbH, Max-Eyth-Straße 10, 71364 Winnenden, Germany.


**SYMBOLS**

 Please read the instructions carefully before starting the machine.

 Always disconnect the plug from the socket before carrying out any work on the machine.

 Accessory - Not included in standard equipment, available as an accessory.

 Do not dispose of electric tools together with household waste material! In observance of European Directive 2002/96/EC on waste electrical and electronic equipment and its implementation in accordance with national law, electric tools that have reached the end of their life must be collected separately and returned to an environmentally compatible recycling facility.

 Class II construction, tool in which protection against electric shock does not rely on basic insulation only, but in which additional safety precautions, such as double insulation or reinforced insulation, are provided.

**TECHNISCHE DATEN** **K950 K** **K950 S**

Produktionsnummer .....	4171 25 01...	4171 57 01...
.....	4171 35 01...	4171 61 01...
.....	4171 43 01...	4171 63 01...
.....	...000001-999999	...000001-999999
Nennleistungsaufnahme.....	1700 W	1700 W
Abgabeleistung .....	850 W	850 W
Leerlaufdrehzahl.....	125-250 min <sup>-1</sup>	125-250 min <sup>-1</sup>
Lastdrehzahl max. ....	125-250 min <sup>-1</sup>	125-250 min <sup>-1</sup>
Lastschlagzahl max. ....	975-1950 min <sup>-1</sup>	975-1950 min <sup>-1</sup>
Einzelschlagstärke entsprechend EPTA-Procedure 05/2009 .....	20 J	20 J
Bohr-Ø in Beton .....	28-50 mm	28-50 mm
Tunnelbohrer in Beton, Ziegel und Kalksandstein.....	50-80 mm	50-80 mm
Hohlbohrkrone in Beton, Ziegel und Kalksandstein.....	45-150 mm	45-150 mm
Gewicht nach EPTA-Prozedur 01/2003.....	11,8 kg	11,8 kg

**Geräuschinformationen**  
 Messwerte ermittelt entsprechend EN 60 745.  
 Der A-bewertete Geräuschpegel des Gerätes beträgt typischerweise:  
 Schalldruckpegel (K = 3 dB(A))..... 100 dB (A)  
 Schalleistungspegel (K = 3 dB(A))..... 111 dB (A)

**Gehörschutz tragen!**

**Vibrationsinformationen**  
 Schwingungsgesamtwerte (Vektorsumme dreier Richtungen) ermittelt entsprechend EN 60745:  
 Schwingungsemissionswert a<sub>n</sub>  
 Hammerbohren in Beton: 12,5 m/s<sup>2</sup> ..... 12,5 m/s<sup>2</sup>  
 Unsicherheit K = ..... 2 m/s<sup>2</sup> ..... 2 m/s<sup>2</sup>  
 Meißeln: ..... 11 m/s<sup>2</sup> ..... 11 m/s<sup>2</sup>  
 Unsicherheit K = ..... 2 m/s<sup>2</sup> ..... 2 m/s<sup>2</sup>

**TECHNISCHE DATEN** **K900 K** **K900 S**

Produktionsnummer .....	4427 82 01...	4427 79 01...
.....	4171 45 01...	4171 67 01...
.....	4171 50 01...	4171 71 01...
.....	4171 55 01...	4171 73 01...
.....	4171 53 01...	4171 73 01...
.....	...000001-999999	...000001-999999
Nennleistungsaufnahme.....	1600 W	1600 W
Abgabeleistung .....	800 W	800 W
Lastschlagzahl max. ....	975-1950 min <sup>-1</sup>	975-1950 min <sup>-1</sup>
Einzelschlagstärke entsprechend EPTA-Procedure 05/2009 .....	20 J	20 J
Gewicht nach EPTA-Prozedur 01/2003.....	11,0 kg	11,0 kg

**Geräuschinformationen**  
 Der A-bewertete Schalldruckpegel des Gerätes beträgt typischerweise.....94 dB (A) .....94 dB (A)  
 Messwert ermittelt entsprechend 2005/88/EG am Ohr des Anwenders. 2005/88/EG: Konformitätsbewertungsverfahren nach Anhang VI.  
 Benannte Stelle:  
 VDE Prüf- und Zertifizierungsinstitut, Merianstr. 28, 63069 Offenbach, Germany

Gemessener Schalleistungspegel ..... 102 dB (A) ..... 102 dB (A)  
 Garantierter Schalleistungspegel..... 105 dB (A) ..... 105 dB (A)

**Gehörschutz tragen!**

**Vibrationsinformationen**  
 Schwingungsgesamtwerte (Vektorsumme dreier Richtungen) ermittelt entsprechend EN 60745:  
 Schwingungsemissionswert a<sub>n</sub>  
 Meißeln: ..... 11 m/s<sup>2</sup> ..... 11 m/s<sup>2</sup>  
 Unsicherheit K = ..... 2 m/s<sup>2</sup> ..... 2 m/s<sup>2</sup>

**WARNUNG**  
 Der in diesen Anweisungen angegebene Schwingungspegel ist entsprechend einem in EN 60745 genormten Messverfahren gemessen worden und kann für den Vergleich von Elektrowerkzeugen miteinander verwendet werden. Er eignet sich auch für eine vorläufige Einschätzung der Schwingungsbelastung.

Der angegebene Schwingungspegel repräsentiert die hauptsächlichen Anwendungen des Elektrowerkzeugs. Wenn allerdings das Elektrowerkzeug für andere Anwendungen, mit abweichenden Einsatzwerkzeugen oder ungenügender Wartung eingesetzt wird, kann der Schwingungspegel abweichen. Dies kann die Schwingungsbelastung über den gesamten Arbeitszeitraum deutlich erhöhen.

Für eine genaue Abschätzung der Schwingungsbelastung sollten auch die Zeiten berücksichtigt werden, in denen das Gerät abgeschaltet ist oder zwar läuft, aber nicht tatsächlich im Einsatz ist. Dies kann die Schwingungsbelastung über den gesamten Arbeitszeitraum deutlich reduzieren.

Legen Sie zusätzliche Sicherheitsmaßnahmen zum Schutz des Bedieners vor der Wirkung von Schwingungen fest wie zum Beispiel: Wartung von Elektrowerkzeug und Einsatzwerkzeugen, Warmhalten der Hände, Organisation der Arbeitsabläufe.

**⚠️ WARNUNG! Lesen Sie alle Sicherheitshinweise und Anweisungen.** Versäumnisse bei der Einhaltung der Sicherheitshinweise und Anweisungen können elektrischen Schlag, Brand und/oder schwere Verletzungen verursachen. **Bewahren Sie alle Sicherheitshinweise und Anweisungen für die Zukunft auf.**

**SPEZIELLE SICHERHEITSHINWEISE**

**Tragen Sie Gehörschutz.** Die Einwirkung von Lärm kann Hörverlust bewirken.

**Benutzen Sie die mit dem Gerät gelieferten Zusatzhandgriffe.** Der Verlust der Kontrolle kann zu Verletzungen führen.

**Halten Sie das Gerät an den isolierten Griffflächen, wenn Sie Arbeiten ausführen, bei denen das Einsatzwerkzeug verborgene Stromleitungen oder das eigene Kabel treffen kann.** Der Kontakt mit einer spannungsführenden Leitung kann metallene Geräteteile unter Spannung setzen und zu einem elektrischen Schlag führen.

Steckdosen in Außenbereichen müssen mit Fehlerstrom-Schutzschaltern ausgerüstet sein. Das verlangt die Installationsvorschrift für Ihre Elektroanlage. Bitte beachten Sie das bei der Verwendung unseres Gerätes.

Beim Arbeiten mit der Maschine stets Schutzbrille tragen. Schutzhandschuhe, festes und rutschsicheres Schuhwerk und Schürze werden empfohlen.

Späne oder Splitter dürfen bei laufender Maschine nicht entfernt werden.

Vor allen Arbeiten an der Maschine Stecker aus der Steckdose ziehen.

Maschine nur ausgeschaltet an die Steckdose anschließen.

Anschlusskabel stets vom Wirkungsbereich der Maschine fernhalten. Kabel immer nach hinten von der Maschine wegführen.

Beim Arbeiten in Wand, Decke oder Fußboden auf elektrische Kabel, Gas- und Wasserleitungen achten.

Beim Arbeiten entstehender Staub ist oft gesundheitsschädlich und sollte nicht in den Körper gelangen. Geeignete Staubschutzmaske tragen.

**BESTIMMUNGSGEMÄßE VERWENDUNG**

K950 K, K950 S: Der Bohrhämmer ist universell einsetzbar zum Hammerbohren und Meißeln in Gestein und Beton.

K900 K, K900 S: Der Meißelhämmer ist einsetzbar zum Meißeln in Gestein und Beton.

Dieses Gerät darf nur wie angegeben bestimmungsgemäß verwendet werden.

**CE-KONFORMITÄTSEKTLÄRUNG**

Wir erklären in alleiniger Verantwortung, dass das unter „Technische Daten“ beschriebene Produkt mit allen relevanten Vorschriften der Richtlinie 2011/65/EU (RoHS), 2006/42/EG, 2004/108/EG, 2005/88/EG (K900 K, K900 S) und den folgenden harmonisierten normativen Dokumenten übereinstimmt:

- EN 60745-1:2009 + A11:2010
- EN 60745-2-6:2010
- EN 55014-1:2006 + A1:2009 + A2:2011
- EN 55014-2:1997 + A1:2001 + A2:2008
- EN 61000-3-2:2006 + A1:2009 + A2:2009
- EN 61000-3-3:2008

Winnenden, 2012-12-13

*Alexander Krug*

Alexander Krug  
 Managing Director



Bevollmächtigt die technischen Unterlagen zusammenzustellen  
 Techtronic Industries GmbH  
 Max-Eyth-Straße 10  
 71364 Winnenden  
 Germany

**NETZANSCHLUSS**

Nur an Einphasen-Wechselstrom und nur an die auf dem Leistungsschild angegebene Netzspannung anschließen. Anschluss ist auch an Steckdosen ohne Schutzkontakt möglich, da ein Aufbau der Schutzklasse II vorliegt.

**WARTUNG**

Stets die Lüftungsschlitze der Maschine sauber halten.

Bei abgenutzten Kohlebürsten sollte zusätzlich zum Kohlebürstenwechsel ein Kundendienst in einer Servicewerkstatt durchgeführt werden. Dies erhöht die Lebensdauer der Maschine und garantiert eine ständige Betriebsbereitschaft.

Nur Milwaukee Zubehör und Ersatzteile verwenden. Bauteile, deren Austausch nicht beschrieben wurde, bei einer Milwaukee Kundendienststelle auswechseln lassen (Broschüre Garantie/ Kundendienstadressen beachten).

Bei Bedarf kann eine Explosionszeichnung des Gerätes unter Angabe der Maschinen Type und der sechsstelligen Nummer auf dem Leistungsschild bei Ihrer Kundendienststelle oder direkt bei Techtronic Industries GmbH, Max-Eyth-Straße 10, 71364 Winnenden, Germany angefordert werden.

**SYMBOLS**



Bitte lesen Sie die Gebrauchsanweisung vor Inbetriebnahme sorgfältig durch.



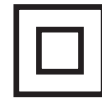
Vor allen Arbeiten an der Maschine Stecker aus der Steckdose ziehen.



Zubehör - Im Lieferumfang nicht enthalten, empfohlene Ergänzung aus dem Zubehörprogramm.



Werfen Sie Elektrowerkzeuge nicht in den Hausmüll! Gemäss Europäischer Richtlinie 2002/96/EG über Elektro- und Elektronik- Altgeräte und Umsetzung in nationales Recht müssen verbrauchte Elektrowerkzeuge getrennt gesammelt und einer umweltgerechten Wiederverwertung zugeführt werden.



Schutzklasse II, Elektrowerkzeug, bei dem der Schutz gegen elektrischen Schlag nicht nur von der Basisisolierung abhängt, sondern in dem zusätzliche Schutzmaßnahmen, wie doppelte Isolierung oder verstärkte Isolierung, angewendet werden.



## CARACTÉRISTIQUES TECHNIQUES

	K950 K	K950 S
Nom de série .....	4171 25 01... ..	4171 57 01... ..
.....	4171 35 01... ..	4171 61 01... ..
.....	4171 43 01... ..	4171 63 01... ..
.....	...000001-999999	...000001-999999
Puissance nominale de réception.....	1700 W .....	1700 W .....
Puissance utile .....	850 W .....	850 W .....
Vitesse de rotation à vide .....	125-250 min <sup>-1</sup> .....	125-250 min <sup>-1</sup> .....
Vitesse de rotation en charge .....	125-250 min <sup>-1</sup> .....	125-250 min <sup>-1</sup> .....
Perçage à percussion charge max. ....	975-1950 min <sup>-1</sup> .....	975-1950 min <sup>-1</sup> .....
Puissance de frappe individuelle suivant EPTA-Procédure 05/2009 .....	20 J .....	20 J .....
Ø de perçage dans le béton .....	28-50 mm .....	28-50 mm .....
Foret dans le béton, la brique et la brique silico-calcaire .....	50-80 mm .....	50-80 mm .....
Couronne-trépan dans le béton, la brique et la brique silico-calcaire .....	45-150 mm .....	45-150 mm .....
Poids suivant EPTA-Procédure 01/2003 .....	11,8 kg .....	11,8 kg .....

### Informations sur le bruit

Valeurs de mesure obtenues conformément à la EN 60 745 .

Les mesures réelles (A) des niveaux acoustiques de

l'appareil sont :

Niveau de pression acoustique (K=3 dB(A))..... 100 dB (A)

Niveau d'intensité acoustique (K=3 dB(A)) ..... 111 dB (A)

### Toujours porter une protection acoustique!

### Informations sur les vibrations

Valeurs totales des vibrations (somme vectorielle de trois

sens) établies conformément à EN 60745.

Valeur d'émission vibratoire a<sub>v</sub>:

Perçage à percussion le béton: valeur d'émission d'oscillations a<sub>h</sub>..... 12,5 m/s<sup>2</sup>..... 12,5 m/s<sup>2</sup>

Incertitude K = ..... 2 m/s<sup>2</sup>..... 2 m/s<sup>2</sup>

Burinage: ..... 11 m/s<sup>2</sup>..... 11 m/s<sup>2</sup>

Incertitude K = ..... 2 m/s<sup>2</sup>..... 2 m/s<sup>2</sup>

## CARACTÉRISTIQUES TECHNIQUES

	K900 K	K900 S
Nom de série .....	4427 82 01... ..	4427 79 01... ..
.....	4171 45 01... ..	4171 67 01... ..
.....	4171 50 01... ..	4171 71 01... ..
.....	4171 55 01... ..	4171 73 01... ..
.....	4171 53 01... ..	4171 73 01... ..
.....	...000001-999999	...000001-999999
Puissance nominale de réception.....	1600 W .....	1600 W .....
Puissance utile .....	800 W .....	800 W .....
Perçage à percussion charge max. ....	975-1950 min <sup>-1</sup> .....	975-1950 min <sup>-1</sup> .....
Puissance de frappe individuelle suivant EPTA-Procédure 05/2009 .....	20 J .....	20 J .....
Poids suivant EPTA-Procédure 01/2003 .....	11,0 kg .....	11,0 kg .....

### Informations sur le bruit

La mesure réelle (A) du niveau de bruit de

l'outil est .....

Valeur calculée conformément au procédé 2005/88/CE sur

l'oreille de l'utilisateur

2005/88/EG; procédé d'évaluation de conformité selon l'annexe VI.

Service administratif cité:

VDE Testing and Certification Institute, Merianstr. 28, 63069

Offenbach, Allemagne

Niveau de puissance acoustique mesuré..... 102 dB (A)..... 102 dB (A)

Niveau de puissance acoustique garanti..... 105 dB (A)..... 105 dB (A)

### Toujours porter une protection acoustique!

### Informations sur les vibrations

Valeurs totales des vibrations (somme vectorielle de trois

sens) établies conformément à EN 60745.

Valeur d'émission vibratoire a<sub>v</sub>:

Burinage: ..... 11 m/s<sup>2</sup>..... 11 m/s<sup>2</sup>

Incertitude K = ..... 2 m/s<sup>2</sup>..... 2 m/s<sup>2</sup>

### AVERTISSEMENT

Le niveau vibratoire indiqué dans ces instructions a été mesuré selon un procédé de mesure normalisé dans la norme EN 60745 et peut être utilisé pour comparer des outils électriques entre eux. Il convient aussi à une estimation provisoire de la sollicitation par les vibrations.

Le niveau vibratoire indiqué représente les applications principales de l'outil électrique. Toutefois, si l'outil électrique est utilisé pour d'autres applications, avec des outils rapportés qui diffèrent ou une maintenance insuffisante, il se peut que le niveau vibratoire diverge. Cela peut augmenter nettement la sollicitation par les vibrations sur tout l'intervalle de temps du travail.

Pour une estimation précise de la sollicitation par les vibrations, on devrait également tenir compte des temps pendant lesquels l'appareil n'est pas en marche ou tourne sans être réellement en service. Cela peut réduire nettement la sollicitation par les vibrations sur tout l'intervalle de temps du travail.

Définissez des mesures de sécurité supplémentaires pour protéger l'utilisateur contre l'influence des vibrations, comme par exemple : la maintenance de l'outil électrique et des outils rapportés, le maintien au chaud des mains, l'organisation des déroulements de travail.

**⚠ AVIS! Lire complètement les instructions et les indications de sécurité.** Le non-respect des avertissements et instructions indiqués ci après peut entraîner un choc électrique, un incendie et/ou de graves blessures sur les personnes.  
**Bien garder tous les avertissements et instructions.**

## INSTRUCTIONS DE SÉCURITÉ PARTICULIÈRES

**Portez une protection acoustique. L'influence du bruit peut provoquer la surdité.**

**Utilisez les poignées supplémentaires livrées en même temps que l'appareil.** La perte de contrôle peut mener à des blessures.

**Maintenez l'appareil par les surfaces de poignée isolées lorsque vous exécutez des travaux pendant lesquels l'outil de coupe peut toucher des lignes électriques dissimulées ou le propre câble.** Le contact de l'outil de coupe avec un câble qui conduit la tension peut mettre les pièces métalliques de l'appareil sous tension et mener à une décharge électrique.

Les prises de courant se trouvant à l'extérieur doivent être équipées de disjoncteurs différentiel (FI, RCD, PRCD) conformément aux prescriptions de mise en place de votre installation électrique. Veuillez en tenir compte lors de l'utilisation de notre appareil.

Toujours porter des lunettes protectrices en travaillant avec la machine. Des gants de sécurité, des chaussures solides et à semelles antidérapantes et un tablier sont recommandés.

Ne jamais enlever les copeaux ni les éclats lorsque la machine est en marche.

Avant tous travaux sur la machine extraire la fiche de la prise de courant.

Ne raccorder la machine au réseau que si l'interrupteur est en position arrêt.

Le câble d'alimentation doit toujours se trouver en dehors du champ d'action de la machine. Toujours maintenir le câble d'alimentation à l'arrière de la machine.

Lors du perçage dans les murs, les plafonds ou les planchers, toujours faire attention aux câbles électriques et aux conduites de gaz et d'eau.

Les poussières qui sont dégagées pendant les travaux sont souvent nocives pour la santé et ne devraient pas pénétrer dans le corps. Porter un masque de protection approprié contre les poussières.

## UTILISATION CONFORME AUX PRESCRIPTIONS

K950 K, K950 S: Le marteau-perforateur est conçu pour un travail universel de perçage à percussion et de burinage dans la maçonnerie et de béton.

K900 K, K900 S: Le brise-béton peut-être utilisé pour de gros travaux de burinage dans la maçonnerie et de béton Comme déjà indiqué, cette machine n'est conçue que pour être utilisée conformément aux prescriptions.

## DECLARATION CE DE CONFORMITÉ

Nous déclarons sous notre seule responsabilité que le produit décrit sous « Caractéristiques techniques » concorde avec toutes les consignes pertinentes de la directive 2011/65 EU (RoHS), 2006/42/CE, 2004/108/CE, 2005/88/CE (K900 K, K900 S) et les documents normatifs harmonisés suivants :

EN 60745-1:2009 + A1:2010

EN 60745-2-6:2010

EN 55014-1:2006 + A1:2009 + A2:2011

EN 55014-2:1997 + A1:2001 + A2:2008

EN 61000-3-2:2006 + A1:2009 + A2:2009

EN 61000-3-3:2008

Winnenden, 2012-12-13

Alexander Krug

Managing Director

Autorisé à compiler la documentation technique.

Techtronic Industries GmbH

Max-Eyth-Straße 10

71364 Winnenden

Germany



## BRANCHEMENT SECTEUR

Raccorder uniquement à un courant électrique monophasé et uniquement à la tension secteur indiquée sur la plaque signalétique. Le raccordement à des prises de courant sans contact de protection est également possible car la classe de protection II est donnée.

## ENTRETIEN

Tenir toujours propres les orifices de ventilation de la machine.

Attention! Lorsque les balais (charbons) sont usés, il est recommandé de faire effectuer, outre le changement des balais (charbons), une inspection dans une station de service après-vente. Ceci augmente la durée de vie de la machine et garantit un fonctionnement permanent de la machine.

Utiliser uniquement les accessoires Milwaukee et les pièces détachées Milwaukee. Faire remplacer les composants dont le remplacement n'a pas été décrit, par un des centres de service après-vente Milwaukee (observer la brochure avec les adresses de garantie et de service après-vente).

En cas de besoin il est possible de demander un dessin éclaté du dispositif en indiquant le modèle de la machine et le numéro de six chiffres imprimé sur la plaquette de puissance et en s'adressant au centre d'assistance technique ou directement à Techtronic Industries GmbH, Max-Eyth-Straße 10, 71364 Winnenden, Germany.

## SYMBOLES



Veillez lire avec soin le mode d'emploi avant la mise en service



Avant tous travaux sur la machine extraire la fiche de la prise de courant.



Accessoires - Ces pièces ne font pas partie de la livraison. Il s'agit là de compléments recommandés pour votre machine et énumérés dans le catalogue des accessoires.



Ne pas jeter les appareils électriques dans les ordures ménagères! Conformément à la directive européenne 2002/96/EG relative aux déchets d'équipements électriques ou électroniques (DEEE), et à sa transposition dans la législation nationale, les appareils électriques doivent être collectés à part et être soumis à un recyclage respectueux de l'environnement.



Classe de protection II, outil électrique au niveau duquel la protection contre la foudre ne dépend pas uniquement de l'isolation de base et au niveau duquel des mesures de protection ultérieures ont été prises, telles que la double isolation ou l'isolation augmentée.

DATI TECNICI	K950 K	K950 S
Numero di serie .....	4171 25 01... ..	4171 57 01... ..
.....	4171 35 01... ..	4171 61 01... ..
.....	4171 43 01... ..	4171 63 01... ..
.....	...000001-999999	...000001-999999
Potenza assorbita nominale .....	1700 W .....	1700 W .....
Potenza erogata .....	850 W .....	850 W .....
Numero di giri a vuoto .....	125-250 min <sup>-1</sup> .....	125-250 min <sup>-1</sup> .....
Numero di giri a carico, max. ....	125-250 min <sup>-1</sup> .....	125-250 min <sup>-1</sup> .....
Percussione a pieno carico, max. ....	975-1950 min <sup>-1</sup> .....	975-1950 min <sup>-1</sup> .....
Forza colpo singolo corrispondente alla procedura EPTA 05/2009 .....	20 J .....	20 J .....
Ø Foratura in calcestruzzo .....	28-50 mm .....	28-50 mm .....
Punte tunnel per calcestruzzo, mattoni, calcare .....	50-80 mm .....	50-80 mm .....
Punte corona per calcestruzzo, mattoni, calcare .....	45-150 mm .....	45-150 mm .....
Peso secondo la procedura EPTA 01/2003 .....	11,8 kg .....	11,8 kg .....

#### Informazioni sulla rumorosità

Valori misurati conformemente alla norma EN 60 745.  
La misurazione A del livello di pressione acustica dell'utensile è di solito di:

.....	100 dB (A)
Potenza della rumorosità (K = 3 dB(A)) .....	111 dB (A)

#### Utilizzare le protezioni per l'udito!

#### Informazioni sulla vibrazione

Valori totali delle oscillazioni (somma di vettori in tre direzioni) misurati conformemente alla norma EN 60745  
Valore di emissione dell'oscillazione a<sub>v</sub>:

Forare in calcestruzzo: .....	12,5 m/s <sup>2</sup> .....	12,5 m/s <sup>2</sup> .....
Incertezza della misura K = .....	2 m/s <sup>2</sup> .....	2 m/s <sup>2</sup> .....
Scalpellare: .....	11 m/s <sup>2</sup> .....	11 m/s <sup>2</sup> .....
Incertezza della misura K = .....	2 m/s <sup>2</sup> .....	2 m/s <sup>2</sup> .....

DATI TECNICI	K900 K	K900 S
Numero di serie .....	4427 82 01... ..	4427 79 01... ..
.....	4171 45 01... ..	4171 67 01... ..
.....	4171 50 01... ..	4171 71 01... ..
.....	4171 55 01... ..	4171 73 01... ..
.....	4171 53 01... ..	4171 73 01... ..
.....	...000001-999999	...000001-999999
Potenza assorbita nominale .....	1600 W .....	1600 W .....
Potenza erogata .....	800 W .....	800 W .....
Percussione a pieno carico, max. ....	975-1950 min <sup>-1</sup> .....	975-1950 min <sup>-1</sup> .....
Forza colpo singolo corrispondente alla procedura EPTA 05/2009 .....	20 J .....	20 J .....
Peso secondo la procedura EPTA 01/2003 .....	11,0 kg .....	11,0 kg .....

#### Informazioni sulla rumorosità K900 K, K900 S

La misurazione A della pressione del livello sonoro di un utensile di solito deve essere .....

.....	94 dB (A)	94 dB (A)
-------	-----------	-----------

Valori misurati conf. 2005/88/CE all'orecchio dell'utente.  
2005/88/CE: Procedimento di valutazione della conformità

conf. appendice VI.  
Ufficio designato:  
VDE Testing and Certification Institute, Merianstr. 28,  
63069 Offenbach, Germania

.....	102 dB (A)	102 dB (A)
.....	105 dB (A)	105 dB (A)

#### Utilizzare le protezioni per l'udito!

#### Informazioni sulla vibrazione

Valori totali delle oscillazioni (somma di vettori in tre direzioni) misurati conformemente alla norma EN 60745  
Valore di emissione dell'oscillazione a<sub>v</sub>:

Scalpellare: .....	11 m/s <sup>2</sup> .....	11 m/s <sup>2</sup> .....
Incertezza della misura K = .....	2 m/s <sup>2</sup> .....	2 m/s <sup>2</sup> .....

#### AVVERTENZA

Il livello di vibrazioni indicato nelle presenti istruzioni è stato misurato in conformità con un procedimento di misurazione codificato nella EN 60745 e può essere utilizzato per un confronto tra attrezzi elettrici. Inoltre si può anche utilizzare per una valutazione preliminare della sollecitazione da vibrazioni.

Il livello di vibrazioni indicato rappresenta le applicazioni principali dell'attrezzo elettrico. Se viceversa si utilizza l'attrezzo elettrico per altri scopi, con accessori differenti o con una manutenzione insufficiente, il livello di vibrazioni può risultare diverso. E questo può aumentare decisamente la sollecitazione da vibrazioni lungo l'intero periodo di lavorazione.

Ai fini di una valutazione precisa della sollecitazione da vibrazioni si dovrebbero tenere presente anche i periodi in cui l'apparecchio rimane spento oppure, anche se acceso, non viene effettivamente utilizzato. Ciò può ridurre notevolmente la sollecitazione da vibrazioni lungo l'intero periodo di lavorazione.

Stabilite misure di sicurezza supplementari per la tutela dell'operatore dall'effetto delle vibrazioni, come ad esempio: manutenzione dell'attrezzo elettrico e degli accessori, riscaldamento delle mani, organizzazione dei processi di lavoro.

**AVVERTENZA! Leggere tutte le istruzioni ed indicazioni di sicurezza.** In caso di mancato rispetto delle avvertenze di pericolo e delle istruzioni operative si potrà creare il pericolo di scosse elettriche, incendi e/o incidenti gravi.

**Conservare tutte le avvertenze di pericolo e le istruzioni operative per ogni esigenza futura.**

#### NORME DI SICUREZZA

**Indossare protezioni acustiche adeguate. L'esposizione prolungata al rumore senza protezione può causare danni all'udito.**

**Utilizzare l'utensile con la sua impugnatura supplementare.** La perdita di controllo potrebbe causare danneggiamenti all'utilizzatore.

**Impugnare l'apparecchio sulle superfici di tenuta isolate mentre si eseguono lavori durante i quali l'utensile da taglio potrebbe entrare in contatto con cavi di corrente o con il proprio cavo d'alimentazione.** L'eventuale contatto dell'utensile da taglio con un cavo sotto tensione potrebbe mettere sotto tensione le parti metalliche dell'apparecchio e provocare una folgorazione.

Gli apparecchi mobili usati all'aperto devono essere collegati interponendo un interruttore di sicurezza (FI, RCD, PRCD) per guasti di corrente.

Durante l'uso dell'apparecchio utilizzare sempre gli occhiali di protezione. Inoltre si consiglia di usare sistemi di protezione per la respirazione e per l'udito, oltre ai guanti di protezione.

Non rimuovere trucioli o schegge mentre l'utensile è in funzione.

Prima di effettuare qualsiasi lavoro sulla macchina togliere la spina dalla presa di corrente.

Inserire la spina solo con interruttore su posizione "OFF".

Tenere sempre lontano il cavo di collegamento dall'area di lavoro dell'attrezzo.

Forando pareti, soffitti o pavimenti, si faccia attenzione ai cavi elettrici e alle condutture dell'acqua e del gas.

La polvere che si produce durante il lavoro è spesso dannosa per la salute e non dovrebbe essere aspirata. Portare un'adeguata mascherina protettiva.

#### UTILIZZO CONFORME

K950 K, K950 S: Il martello perforatore è utilizzabile universalmente per forare a percussione, per scalpellare la pietra e cemento.

K900 K, K900 S: Il martello può essere utilizzato per scalpellare la pietra e cemento.

Utilizzare il prodotto solo per l'uso per cui è previsto.

#### DICHIARAZIONE DI CONFORMITÀ CE

Dichiariamo sotto la nostra esclusiva responsabilità che il prodotto descritto ai „Dati tecnici“ corrisponde a tutte le disposizioni delle direttive 2011/65/EU (RoHS), 2006/42/CE, 2004/108/CE, 2005/88/CE (K900 K, K900 S) e successivi documenti normativi armonizzati:

EN 60745-1:2009 + A11:2010  
EN 60745-2-6:2010  
EN 55014-1:2006 + A1:2009 + A2:2011  
EN 55014-2:1997 + A1:2001 + A2:2008  
EN 61000-3-2:2006 + A1:2009 + A2:2009  
EN 61000-3-3:2008

Winnenden, 2012-12-13

*Alexander Krug*

Alexander Krug  
Managing Director



Autorizzato alla preparazione della documentazione tecnica

Techtronic Industries GmbH  
Max-Eyth-Straße 10  
71364 Winnenden  
Germany

#### COLLEGAMENTO ALLA RETE

Connettere solo corrente alternata mono fase e solo al sistema di voltaggio indicato sulla piastra. E' possibile anche connettere la presa senza un contatto di messa a terra così come prevede lo schema conforme alla norme di sicurezza di classe II.

#### MANUTENZIONE

Tener sempre ben pulite le fessure di ventilazione dell'apparecchio.

Informazione importante! Nel caso che il carboncino si sia consumato oltre il limite di sostituzione è necessario portare l'apparecchio ad un centro di assistenza, onde garantite la massima affidabilità ed efficienza dello stesso.

Usare solo accessori Milwaukee e pezzi di ricambio Milwaukee. Gruppi costruttivi la cui sostituzione non è stata descritta, devono essere fatti cambiare da un punto di servizio di assistenza tecnica al cliente Milwaukee (vedi depliant garanzia/ indirizzi assistenza tecnica ai clienti).

In caso di necessità è possibile richiedere un disegno esploso del dispositivo indicando il modello della macchina ed il numero a sei cifre sulla targa di potenza rivolgendosi al centro di assistenza tecnica o direttamente a Techtronic Industries GmbH, Max-Eyth-Straße 10, 71364 Winnenden, Germany.

#### SIMBOLI



Leggere attentamente le istruzioni per l'uso prima di mettere in funzione l'elettro-utensile.



Prima di effettuare qualsiasi lavoro sulla macchina togliere la spina dalla presa di corrente.



Accessorio - Non incluso nella dotazione standard, disponibile a parte come accessorio.



Non gettare le apparecchiature elettriche tra i rifiuti domestici. Secondo la Direttiva Europea 2002/96/CE sui rifiuti di apparecchiature elettriche ed elettroniche e la sua attuazione in conformità alle norme nazionali, le apparecchiature elettriche esauste devono essere accolte separatamente, al fine di essere reimpiegate in modo eco-compatibile.



Classe di protezione II, utensile elettrico sul quale la protezione contro la folgorazione elettrica non dipende soltanto dall'isolamento di base e sul quale trovano applicazione ulteriori misure di protezione, come il doppio isolamento o l'isolamento maggiorato.

DATOS TÉCNICOS	K950 K	K950 S
Número de producción .....	4171 25 01...	4171 57 01...
.....	4171 35 01...	4171 61 01...
.....	4171 43 01...	4171 63 01...
.....	...000001-999999	...000001-999999
Potencia de salida nominal.....	1700 W	1700 W
Potencia entregada .....	850 W	850 W
Velocidad en vacío .....	125-250 min <sup>-1</sup>	125-250 min <sup>-1</sup>
Velocidades en carga max. ....	125-250 min <sup>-1</sup>	125-250 min <sup>-1</sup>
Frecuencia de impactos bajo carga.....	975-1950 min <sup>-1</sup>	975-1950 min <sup>-1</sup>
Energía por percusión según EPTA-Procedure 05/2009 .....	20 J	20 J
Diámetro de taladrado en hormigón .....	28-50 mm	28-50 mm
Brocas túnel en hormigón, ladrillo y arenisca.....	50-80 mm	50-80 mm
Broca de corona en hormigón, ladrillo y arenisca .....	45-150 mm	45-150 mm
Peso de acuerdo con el procedimiento EPTA 01/2003 .....	11,8 kg	11,8 kg

#### Información sobre ruidos

Determinación de los valores de medición según norma EN 60745.

El nivel de ruido típico del aparato determinado con un filtro

A corresponde a:

Presión acústica (K = 3 dB(A))..... 100 dB (A)

Resonancia acústica (K = 3 dB(A))..... 111 dB (A)

#### Usar protectores auditivos!

#### Informaciones sobre vibraciones

Nivel total de vibraciones (suma vectorial de tres direcciones)

determinado según EN 60745.

Valor de vibraciones generadas a<sub>n</sub>:

Taladrar en hormigón: ..... 12,5 m/s<sup>2</sup>..... 12,5 m/s<sup>2</sup>

Tolerancia K = ..... 2 m/s<sup>2</sup>..... 2 m/s<sup>2</sup>

Cincelar: ..... 11 m/s<sup>2</sup>..... 11 m/s<sup>2</sup>

Tolerancia K = ..... 2 m/s<sup>2</sup>..... 2 m/s<sup>2</sup>

DATOS TÉCNICOS	K900 K	K900 S
Número de producción .....	4427 82 01...	4427 79 01...
.....	4171 45 01...	4171 67 01...
.....	4171 50 01...	4171 71 01...
.....	4171 55 01...	4171 73 01...
.....	4171 53 01...	4171 73 01...
.....	...000001-999999	...000001-999999
Potencia de salida nominal.....	1600 W	1600 W
Potencia entregada .....	800 W	800 W
Frecuencia de impactos bajo carga.....	975-1950 min <sup>-1</sup>	975-1950 min <sup>-1</sup>
Energía por percusión según EPTA-Procedure 05/2009 .....	20 J	20 J
Peso de acuerdo con el procedimiento EPTA 01/2003 .....	11,0 kg	11,0 kg

#### Información sobre ruidos

La presión acústica se eleva normalmente ..... 94 dB (A) ..... 94 dB (A)

Valores medidos según norma 2005/88/EC al oído del usuario

2005/88/EC: procedimiento de conformidad según Anexo VI.

Organismo notificado:

VDE Testing and Certification Institute, Merianstr. 28,

63069 Offenbach, Alemania

Nivel de potencia sonora medido ..... 102 dB (A) ..... 102 dB (A)

Nivel de potencia sonora garantizado ..... 105 dB (A) ..... 105 dB (A)

#### Usar protectores auditivos!

#### Informaciones sobre vibraciones

Nivel total de vibraciones (suma vectorial de tres direcciones)

determinado según EN 60745.

Valor de vibraciones generadas a<sub>n</sub>:

Cincelar: ..... 11 m/s<sup>2</sup>..... 11 m/s<sup>2</sup>

Tolerancia K = ..... 2 m/s<sup>2</sup>..... 2 m/s<sup>2</sup>

#### ADVERTENCIA

El nivel vibratorio indicado en estas instrucciones ha sido medido conforme a un método de medición estandarizado en la norma EN 60745, y puede utilizarse para la comparación entre herramientas eléctricas. También es apropiado para una estimación provisional de la carga de vibración.

El nivel vibratorio indicado representa las aplicaciones principales de la herramienta eléctrica. Si, pese a ello, se utiliza la herramienta eléctrica para otras aplicaciones, con útiles adaptables diferentes o con un mantenimiento insuficiente, el nivel vibratorio puede diferir. Esto puede incrementar sensiblemente la carga de vibración durante todo el periodo de trabajo.

Para una estimación exacta de la carga de vibración deberían tenerse en cuenta también los tiempos durante los que el aparato está apagado o, pese a estar en funcionamiento, no está siendo realmente utilizado. Esto puede reducir sustancialmente la carga de vibración durante todo el periodo de trabajo.

Adopte medidas de seguridad adicionales para la protección del operador frente al efecto de las vibraciones, como por ejemplo: mantenimiento de la herramienta eléctrica y de los útiles adaptables, mantener las manos calientes, organización de los procesos de trabajo.

**⚠ ATENCIÓN: Lea atentamente las indicaciones e instrucciones de seguridad.** En caso de no atenerse a las advertencias de peligro e instrucciones siguientes, ello puede ocasionar una descarga eléctrica, un incendio y/o lesión grave.

**Guardar todas las advertencias de peligro e instrucciones para futuras consultas.**

#### INSTRUCCIONES DE SEGURIDAD

**¡Utilice protección auditiva! La exposición a niveles de ruido excesivos puede causar pérdida de audición.**

**¡Utilice las empuñaduras auxiliares suministradas con la herramienta! La pérdida de control de la herramienta puede causar accidentes.**

**Sujete el aparato de las superficies aisladas de agarre al efectuar trabajos en los cuales la perforadora de percusión pueda entrar en contacto con conductores de corriente ocultos o con el propio cable.** El contacto de la perforadora de percusión con un conducto con energía aplicada también podrá poner bajo tensión partes metálicas del aparato y causar un choque eléctrico.

Conecte siempre la máquina a una red protegida por interruptor diferencial y magnetotérmico (FI, RCD, PRCD), para su seguridad personal, según normas establecidas para instalaciones eléctricas de baja tensión.

Para trabajar con la máquina, utilizar siempre gafas de protección, guantes, calzado de seguridad antideslizante, así como es recomendable usar protectores auditivos.

Nunca se debe intentar limpiar el polvo o viruta procedente del taladrado con la máquina en funcionamiento.

Desconecte siempre el enchufe antes de llevar a cabo cualquier trabajo en la máquina.

Enchufar la máquina a la red solamente en posición desconectada.

Mantener siempre el cable separado del radio de acción de la máquina.

Para trabajar en paredes, techo o suelo, tenga cuidado para evitar los cables eléctricos y tuberías de gas o agua.

El polvo que se produce durante estos trabajos puede ser nocivo a la salud; es por ello aconsejable que no penetre al cuerpo. Utilice por ello una máscara protectora contra polvo.

#### APLICACIÓN DE ACUERDO A LA FINALIDAD

K950 K, K950 S: El martillo es utilizable para todo tipo de taladrados y cincelados en piedras y hormigón.

K900 K, K900 S: El martillo es utilizable en trabajos de cincelados en piedras y hormigón.

No utilice este producto para ninguna otra aplicación que no sea su uso normal.

#### DECLARACION DE CONFORMIDAD CE

Declaramos bajo nuestra responsabilidad que el producto descrito bajo "Datos técnicos" está en conformidad con todas las normas relevantes de la directiva 2011/65/EU (RoHS), 2006/42/CE, 2004/108/CE, 2005/88/CE (K900 K, K900 S) y con las siguientes normas o documentos normalizados:

EN 60745-1:2009 + A11:2010

EN 60745-2-6:2010

EN 55014-1:2006 + A1:2009 + A2:2011

EN 55014-2:1997 + A1:2001 + A2:2008

EN 61000-3-2:2006 + A1:2009 + A2:2009

EN 61000-3-3:2008

Winnenden, 2012-12-13

Alexander Krug

Managing Director



Autorizado para la redacción de los documentos técnicos.

Techtronic Industries GmbH

Max-Eyth-Straße 10

71364 Winnenden

Germany

#### CONEXIÓN ELÉCTRICA

Conectar solamente a corriente AC monofásica y sólo al voltaje indicado en la placa de características. También es posible la conexión a enchufes sin toma a tierra, dado que es conforme a la Clase de Seguridad II.

#### MANTENIMIENTO

Las ranuras de ventilación de la máquina deben estar despejadas en todo momento.

Quando el martillo ha gastado las escobillas nunca se deberán sustituir! el martillo deberá ser enviado a un servicio técnico oficial para efectuarle un mantenimiento de servicio. De esta única manera queda garantizado el perfecto funcionamiento y duración de la máquina.

Utilice solamente accesorios y repuestos Milwaukee. En caso de necesitar reemplazar componentes no descritos, contacte con cualquiera de nuestras estaciones de servicio Milwaukee (consultar lista de servicio técnicos)

Puede solicitar, en caso necesario, una vista despiezada del aparato bajo indicación del tipo de máquina y el número de seis dígitos en la placa indicadora de potencia en su Servicio de Postventa o directamente en Techtronic Industries GmbH, Max-Eyth-Straße 10, 71364 Winnenden, Germany.

#### SÍMBOLOS



Lea las instrucciones detenidamente antes de conectar la herramienta



Desconecte siempre el enchufe antes de llevar a cabo cualquier trabajo en la máquina.



Accesorio - No incluido en el equipo estándar, disponible en la gama de accesorios.



¡No deseche los aparatos eléctricos junto con los residuos domésticos! De conformidad con la Directiva Europea 2002/96/CE sobre residuos de aparatos eléctricos y electrónicos y su aplicación de acuerdo con la legislación nacional, las herramientas eléctricas cuya vida útil haya llegado a su fin se deberán recoger por separado y trasladar a una planta de reciclaje que cumpla con las exigencias ecológicas.



Clase de protección II, herramientas eléctricas, en las cuales la protección contra descargas eléctricas no sólo depende del aislamiento básico, sino en las cuales se adoptan medidas de protección adicionales como un doble aislamiento o un aislamiento reforzado.



CARACTERÍSTICAS TÉCNICAS	K950 K	K950 S
Número de produção.....	4171 25 01.....	4171 57 01.....
.....	4171 35 01.....	4171 61 01.....
.....	4171 43 01.....	4171 63 01.....
.....	...000001-999999	...000001-999999
Potência absorvida nominal.....	1700 W.....	1700 W.....
Potência de saída.....	850 W.....	850 W.....
Nº de rotações em vazio.....	125-250 min <sup>-1</sup> .....	125-250 min <sup>-1</sup> .....
Velocidade de rotação máxima em carga max.....	125-250 min <sup>-1</sup> .....	125-250 min <sup>-1</sup> .....
Frequência de percussão em carga.....	975-1950 min <sup>-1</sup> .....	975-1950 min <sup>-1</sup> .....
Força de impacto individual conforme EPTA-Procedure 05/2009.....	20 J.....	20 J.....
Ø de furo em betão.....	28-50 mm.....	28-50 mm.....
Brocas de coroa para túneis para betão, tijolos e blocos sílico-calcário.....	50-80 mm.....	50-80 mm.....
Coroa dentada de perfurar para betão, tijolos e blocos sílico-calcário.....	45-150 mm.....	45-150 mm.....
Peso nos termos do procedimento-EPTA 01/2003.....	11,8 kg.....	11,8 kg.....

#### Informações sobre ruído

Valores de medida de acordo com EN 60 745.

O nível de ruído avaliado A do aparelho é tipicamente:

Nível da pressão de ruído (K=3dB(A)).....	100 dB (A)
Nível da potência de ruído (K=3dB(A)).....	111 dB (A)

#### Use protectores auriculares!

#### Informações sobre vibração

Valores totais de vibração (soma dos vectores das três direcções) determinadas conforme EN 60745.

Valor de emissão de vibração a<sub>n</sub>:

Furar em betão:.....	12,5 m/s <sup>2</sup> .....	12,5 m/s <sup>2</sup> .....
Incerteza K =.....	2 m/s <sup>2</sup> .....	2 m/s <sup>2</sup> .....
Trabalho de ponteira:.....	11 m/s <sup>2</sup> .....	11 m/s <sup>2</sup> .....
Incerteza K =.....	2 m/s <sup>2</sup> .....	2 m/s <sup>2</sup> .....

CARACTERÍSTICAS TÉCNICAS	K900 K	K900 S
Número de produção.....	4427 82 01.....	4427 79 01.....
.....	4171 45 01.....	4171 67 01.....
.....	4171 50 01.....	4171 71 01.....
.....	4171 55 01.....	4171 73 01.....
.....	4171 53 01.....	.....
.....	...000001-999999	...000001-999999
Potência absorvida nominal.....	1600 W.....	1600 W.....
Potência de saída.....	800 W.....	800 W.....
Frequência de percussão em carga.....	975-1950 min <sup>-1</sup> .....	975-1950 min <sup>-1</sup> .....
Força de impacto individual conforme EPTA-Procedure 05/2009.....	20 J.....	20 J.....
Peso nos termos do procedimento-EPTA 01/2003.....	11,0 kg.....	11,0 kg.....

#### Informações sobre ruído

Normalmente o nível de pressão de ruído da

ferramenta é.....94 dB (A).....94 dB (A)

Valor de medição apurado em conformidade com 2005/88/CE junto ao ouvido do utilizador.

2005/88/CE: Procedimento de avaliação da conformidade nos termos do Anexo VI. Organismo notificado:

VDE Testing and Certification Institute, Merianstr. 28, 63069 Offenbach, Germany

Nível de potência acústica medido.....102 dB (A).....102 dB (A)

Nível de potência acústica garantido.....105 dB (A).....105 dB (A)

#### Use protectores auriculares!

#### Informações sobre vibração

Valores totais de vibração (soma dos vectores das três direcções) determinadas conforme EN 60745.

Valor de emissão de vibração a<sub>n</sub>:

Trabalho de ponteira:.....	11 m/s <sup>2</sup> .....	11 m/s <sup>2</sup> .....
Incerteza K =.....	2 m/s <sup>2</sup> .....	2 m/s <sup>2</sup> .....

#### ATENÇÃO

O nível vibratório indicado nestas instruções foi medido em conformidade com um procedimento de medição normalizado na EN 60745 e pode ser utilizado para comparar entre si ferramentas eléctricas. O mesmo é também adequado para avaliar provisoriamente o esforço vibratório.

O nível vibratório indicado representa as principais aplicações da ferramenta eléctrica. Se, no entanto, a ferramenta eléctrica for utilizada para outras aplicações, com outras ferramentas adaptadas ou uma manutenção insuficiente, o nível vibratório poderá divergir. Isto pode aumentar consideravelmente o esforço vibratório ao longo de todo o período do trabalho.

Para uma avaliação exacta do esforço vibratório devem também ser considerados os tempos durante os quais o aparelho está desligado ou está a funcionar, mas não está efectivamente a ser utilizado. Isto pode reduzir consideravelmente o esforço vibratório ao longo de todo o período do trabalho.

Defina medidas de segurança suplementares para proteger o operador do efeito das vibrações, como por exemplo: manutenção da ferramenta eléctrica e das ferramentas adaptadas, manter as mãos quentes, organização das sequências de trabalho.

**⚠ ADVERTÊNCIA! Leia todas as instruções de segurança e todas as instruções.** O desrespeito das advertências e instruções apresentadas abaixo pode causar choque eléctrico, incêndio e/ou graves lesões. **Guarde bem todas as advertências e instruções para futura referência.**

#### INSTRUÇÕES DE SEGURANÇA

**Sempre use a protecção dos ouvidos. A influência de ruídos pode causar surdez.**

**Sempre use os punhos adicionais fornecidos com o aparelho.** A perda de controlo pode causar feridas.

**Segure o aparelho nas superfícies de punho isoladas se estiver a executar trabalhos, nos quais a ferramenta de corte pode tocar em linhas eléctricas escondidas ou no próprio cabo.** O contacto da ferramenta de corte com uma linha sob tensão também pode colocar peças metálicas do aparelho sob tensão e levar a um choque eléctrico.

Aparelhos não estacionários, utilizados ao ar livre, devem ser protegidos por um disjuntor de corrente de defeito (FI,RCD,PRCD).

Usar sempre óculos de protecção ao trabalhar com a máquina. Recomenda-se a utilização de luvas de protecção, protectores para os ouvidos e máscara anti-poeiras.

Não remover aparas ou lascas enquanto a máquina trabalha.

Antes de efectuar qualquer intervenção na máquina, tirar a ficha da tomada.

Ao ligar à rede, a máquina deve estar desligada.

Manter sempre o cabo de ligação fora da zona de acção da máquina.

Ao trabalhar em paredes, tectos e soalhos prestar atenção a que não sejam atingidos cabos eléctricos e canalizações de gás e água.

O pó que resulta ao trabalhar pode ser nocivo para a saúde, por isso não devendo penetrar no corpo. Use uma máscara de protecção contra pó apropriada.

#### UTILIZAÇÃO AUTORIZADA

K950 K, K950 S: O martelo electro-pneumático tem aplicação universal para trabalhos de furar com percussão e trabalhos de ponteira em pedra e betão.

K900 K, K900 S: O martelo presta-se a trabalhos de ponteira em pedra e betão.

Não use este produto de outra maneira sem ser a normal para o qual foi concebido.

#### DECLARAÇÃO DE CONFORMIDADE CE

DDeclaramos sob responsabilidade exclusiva, que o produto descrito sob "Dados técnicos" corresponde com todas as disposições relevantes da diretiva 2011/65/EU (RoHS), 2006/42/CE, 2004/108/CE, 2005/88/CE (K900 K, K900 S) e dos seguintes documentos normativos harmonizados.

EN 60745-1:2009 + A11:2010

EN 60745-2-6:2010

EN 55014-1:2006 + A1:2009 + A2:2011

EN 55014-2:1997 + A1:2001 + A2:2008

EN 61000-3-2:2006 + A1:2009 + A2:2009

EN 61000-3-3:2008

Winnenden, 2012-12-13

Alexander Krug

Managing Director

Autorizado a reunir a documentação técnica.

Teichtron Industries GmbH  
Max-Eyth-Straße 10  
71364 Winnenden  
Germany



#### LIGAÇÃO À REDE

Só conectar à corrente alternada monofásica e só à tensão de rede indicada na placa de potência. A conexão às tomadas de rede sem contacto de segurança também é possível, pois trata-se duma construção da classe de protecção II.

#### MANUTENÇÃO

Manter desobstruídos os rasgos de ventilação na carcaça da máquina.

Se as escovas de carvão estão gastas, adicionalmente à mudança das mesmas e ferramenta deve ser submetida a assistência. Isto irá assegurar longo tempo de vida útil bem como constante prontidão da máquina para o trabalho.

Utilizar apenas acessórios Milwaukee e peças sobresselentes Milwaukee. Os componentes cuja substituição não esteja descrita devem ser substituídos num serviço de assistência técnica Milwaukee (consultar a brochura relativa à garantia/moradas dos serviços de assistência técnica).

Se for necessário, um desenho de explosão do aparelho pode ser solicitado do seu posto de assistência ao cliente ou directamente da Teichtron Industries GmbH, Max-Eyth-Straße 10, 71364 Winnenden, Alemanha, indicando o tipo da máquina e o número de seis posições na chapa indicadora da potência.

#### SYMBOLS



Leia atentamente o manual de instruções antes de colocar a máquina em funcionamento.



Antes de efectuar qualquer intervenção na máquina, tirar a ficha da tomada.



Acessório - Não incluído no equipamento normal, disponível como acessório.



Não deite ferramentas eléctricas no lixo doméstico! De acordo com a directiva europeia 2002/96/CE sobre ferramentas eléctricas e electrónicas usadas e a transposição para as leis nacionais, as ferramentas eléctricas usadas devem ser recolhidas em separado e encaminhadas a uma instalação de reciclagem dos materiais ecológica.



Classe de protecção II, ferramenta eléctrica, na qual a protecção contra choque eléctrico não só depende de um isolamento básico, mas na qual medidas de segurança suplementares, como isolamento duplo ou isolamento reforçado, são aplicadas.



TECHNISCHE GEGEVENS	K950 K	K950 S
Productienummer .....	4171 25 01...	4171 57 01...
.....	4171 35 01...	4171 61 01...
.....	4171 43 01...	4171 63 01...
.....	...000001-999999	...000001-999999
Nominaal afgegeven vermogen.....	1700 W	1700 W
Afgegeven vermogen .....	850 W	850 W
Onbelast toerental .....	125-250 min <sup>-1</sup>	125-250 min <sup>-1</sup>
Belast toerental.....	125-250 min <sup>-1</sup>	125-250 min <sup>-1</sup>
Aantal slagen belast max. ....	975-1950 min <sup>-1</sup>	975-1950 min <sup>-1</sup>
Slagkracht overeenkomstig EPTA-Procedure 05/2009 .....	20 J	20 J
Boor-Ø in beton .....	28-50 mm	28-50 mm
Tunnel bit in concrete, bricks and limestone .....	50-80 mm	50-80 mm
Core cutter in concrete, bricks and limestone .....	45-150 mm	45-150 mm
Gewicht volgens de EPTA-procedure 01/2003.....	11,8 kg	11,8 kg

#### Informatie over geluid

Meetwaarden vastgesteld volgens EN 60 745.  
Het kenmerkende A-gewogen geluidsniveau van de machine bedraagt:

Geluidsdruk niveau (K=3dB(A)) .....	100 dB (A)
Geluidsvermogen niveau (K=3dB(A)) .....	111 dB (A)

#### Draag oorbeschermers!

#### Informatie over trillingen

Totale trillingswaarden (vectorsom van drie richtingen)

bepaald volgens EN 60745.

Trillingsemisiewaarde a<sub>v</sub>:

Hamerboren in beton:.....	12,5 m/s <sup>2</sup>	12,5 m/s <sup>2</sup>
Onzekerheid K = .....	2 m/s <sup>2</sup>	2 m/s <sup>2</sup>
Hakken:.....	11 m/s <sup>2</sup>	11 m/s <sup>2</sup>
Onzekerheid K = .....	2 m/s <sup>2</sup>	2 m/s <sup>2</sup>

TECHNISCHE GEGEVENS	K900 K	K900 S
Productienummer .....	4427 82 01...	4427 79 01...
.....	4171 45 01...	4171 67 01...
.....	4171 50 01...	4171 71 01...
.....	4171 55 01...	4171 73 01...
.....	4171 53 01...	4171 73 01...
.....	...000001-999999	...000001-999999
Nominaal afgegeven vermogen.....	1600 W	1600 W
Afgegeven vermogen .....	800 W	800 W
Onbelast toerental .....	975-1950 min <sup>-1</sup>	975-1950 min <sup>-1</sup>
Slagkracht overeenkomstig EPTA-Procedure 05/2009 .....	20 J	20 J
Gewicht volgens de EPTA-procedure 01/2003.....	11,0 kg	11,0 kg

#### Informatie over geluid

Het kenmerkende A-gewaardeerde geluidsdruk niveau van de machine bedraagt .....

.....	94 dB (A)	94 dB (A)
-------	-----------	-----------

Meetwaarden volgens 2005/88/EG, gemeten bij het oor van de gebruiker.

2005/88/EG: conformiteitsverklaring volgens in bijlage VI benoemd door:

VDE Testing and Certification Institute, Merianstr. 28, 63069 Offenbach, Duitsland.

Gemeten geluidsdruk niveau.....	102 dB (A)	102 dB (A)
Gegarandeerd geluidsdruk niveau .....	105 dB (A)	105 dB (A)

#### Draag oorbeschermers!

#### Informatie over trillingen

Totale trillingswaarden (vectorsom van drie richtingen)

bepaald volgens EN 60745.

Trillingsemisiewaarde a<sub>v</sub>:

Hakken:.....	11 m/s <sup>2</sup>	11 m/s <sup>2</sup>
Onzekerheid K = .....	2 m/s <sup>2</sup>	2 m/s <sup>2</sup>

#### WAARSCHUWING

De in deze aanwijzingen vermelde trillingsdruk is gemeten volgens een in EN 60745 genormeerde meetmethode en kan worden gebruikt voor de onderlinge vergelijking van apparaten. Hij is ook geschikt voor een voorlopige inschatting van de trillingsbelasting.

De aangegeven trillingsdruk geldt voor de meest gebruikelijke toepassingen van het elektrische apparaat. Wanneer het elektrische gereedschap echter voor andere doeleinden, met andere dan de voorgeschreven hulpstukken gebruikt of niet naar behoren onderhouden wordt, kan de trillingsdruk afwijken. Dit kan de waarde van de trillingsdruk over de hele werkperiode aanzienlijk verhogen.

Voor een nauwkeurige inschatting van de trillingsdruk moeten ook de tijden in aanmerking worden genomen dat het apparaat uitgeschakeld is of weliswaar loopt, maar niet werkelijk in gebruik is. Dit kan de waarde van de trillingsdruk over de hele werkperiode aanzienlijk verminderen.

Bepaal extra veiligheidsmaatregelen ter bescherming van de bediener tegen de inwerking van trillingen, bijvoorbeeld: onderhoud van elektrische gereedschappen en apparaten, warmhouden van de handen, organisatie van de werkprocessen.

**WAARSCHUWING! Lees alle veiligheidsinstructies en aanwijzingen.** Als de waarschuwingen en voorschriften niet worden opgevolgd, kan dit een elektrische schok, brand of ernstig letsel tot gevolg hebben.  
**Bewaar alle waarschuwingen en voorschriften voor toekomstig gebruik.**

#### VEILIGHEIDSAADVIEZEN

**Draag oorbeschermers. Blootstelling aan geluid** kan het gehoor beschadigen.

**Gebruik de bij de machine geleverde zijhandgreep.** Verlies aan controle kan tot persoonlijk letsel leiden.

**Houd het apparaat alléén aan de geïsoleerde grijpvlakken vast, wanneer u werkzaamheden uitvoert waarbij het snijgereedschap verborgen stroomleidingen of de eigen apparaatkabel zou kunnen raken.** Het contact van het snijgereedschap met een spanningvoerende leiding kan de metalen apparaatdelen onder spanning zetten en zo tot een elektrische schok leiden.

Verplaatsbaar gereedschap moet bij het gebruik buiten aan een aardlekschakelaar (FI,RCD,PRCD) aangesloten worden.

Bij het werken met de machine altijd een veiligheidsbril dragen. Werkhandschoenen en stofkapje voor de mond worden aanbevolen.

Spanen of splinters mogen bij draaiende machine niet worden verwijderd.

Voor alle werkzaamheden aan de machine de stekker uit de kontaktdoos trekken.

Machine alleen uitgeschakeld aan het net aansluiten.

Snoer altijd buiten werkbereik van de machine houden.

Bij het werken in wanden, plafonds of vloeren oppassen voor elektriciteitsdraden, gas- of waterleidingen.

Het gedurende het werken vrijkomende stof is doorgaans schadelijk

voor de gezondheid en mag niet met het lichaam in aanraking komen. Draag derhalve een geschikt stofbeschermingsmasker.

#### VOORGESCHREVEN GEBRUIK VAN HET SYSTEEM

K950 K, K950 S: De boorhamer is universeel inzetbaar voor hamerboren en hakken in steen en beton.

K900 K, K900 S: De hamer kan worden toegepast voor hakken in steen en beton.

Dit apparaat uitsluitend gebruiken voor normaal gebruik, zoals aangegeven.

#### EC - VERKLARING VAN OVEREENSTEMMING

Wij verklaren in uitsluitende verantwoording dat het onder 'Technische gegevens' beschreven product overeenstemt met alle relevante voorschriften van de richtlijn 2011/65/EU (RoHS), 2006/42/EG, 2004/108/EG, 2005/88/EG (K900 K, K900 S) en de volgende geharmoniseerde normatieve documenten:

EN 60745-1:2009 + A11:2010

EN 60745-2-6:2010

EN 55014-1:2006 + A1:2009 + A2:2011

EN 55014-2:1997 + A1:2001 + A2:2008

EN 61000-3-2:2006 + A1:2009 + A2:2009

EN 61000-3-3:2008

Winnenden, 2012-12-13

*Alexander Krug*

Alexander Krug  
Managing Director



Gemachtigd voor samenstelling van de technische documenten

Techtronic Industries GmbH

Max-Eyth-Straße 10

71364 Winnenden

Germany

#### NETAANSLUITING

Uitsluitend op éénfase-wisselstroom en uitsluitend op de op het typeplaatje aangegeven netspanning aansluiten. Aansluiting is ook mogelijk op een stekerdoos zonder aardcontact mogelijk, omdat het is ontworpen volgens veiligheidsklasse II.

#### ONDERHOUD

Altijd de luchtspleten van de machine schoonhouden.

Belangrijke tip! Versleten koolborstels tijdig door een service-werkplaats laten vervangen. Dit verhoogt de levensduur van de machine en garandeert dat de machine altijd direct klaar is voor gebruik.

Gebruik uitsluitend Milwaukee toebehoren en onderdelen. Indien componenten die moeten worden vervangen niet zijn beschreven, neem dan contact op met een officieel Milwaukee servicecentrum (zie onze lijst met servicecentra).

Zo nodig kan een explosietekening van het apparaat worden aangevraagd bij uw klantenservice of direct bij Techtronic Industries GmbH, Max-Eyth-Straße 10, 71364 Winnenden, Duitsland onder vermelding van het machinetype en het zijcijferige nummer op het typeplaatje.

#### SYMBOLLEN



Graag instructies zorgvuldig doorlezen vóórdat u de machine in gebruik neemt.



Voor alle werkzaamheden aan de machine de stekker uit de kontaktdoos trekken.



Toebehoren - Wordt niet meegeleverd. Is apart leverbaar. Zie hiervoor het toebehorenprogramma.



Geef elektrisch gereedschap niet met het huisvuil mee! Volgens de Europese richtlijn 2002/96/EG inzake oude elektrische en lektroonische apparaten en de toepassing daarvan binnen de nationale wetgeving, dient gebruikt elektrisch gereedschap gescheiden te worden ingezameld en te worden afgevoerd naar een recycle bedrijf dat voldoet aan de geldende milieu-eisen.



Beschermingsklasse II, elektrisch gereedschap waarbij de bescherming tegen elektrische schokken niet afhankelijk is van de basisisolatie, maar waarin extra veiligheidsmaatregelen worden toegepast zoals dubbele of versterkte isolatie.

TEKNISKE DATA	K950 K	K950 S
Produktionsnummer .....	4171 25 01...	4171 57 01...
.....	4171 35 01...	4171 61 01...
.....	4171 43 01...	4171 63 01...
.....	...000001-999999	...000001-999999
Nominal optagen effekt.....	1700 W	1700 W
Afgiven effekt.....	850 W	850 W
Omdrejningstal, ubelastet.....	125-250 min <sup>-1</sup>	125-250 min <sup>-1</sup>
Omdrejningstal max., belastet.....	125-250 min <sup>-1</sup>	125-250 min <sup>-1</sup>
Slagantal belastet max.....	975-1950 min <sup>-1</sup>	975-1950 min <sup>-1</sup>
Enkelt slagstyrke iht. EPTAProcedure 05/2009.....	20 J	20 J
Bor-ø i beton.....	28-50 mm	28-50 mm
Tunnelbor i beton, tegl og kalksandsten.....	50-80 mm	50-80 mm
Hulborekrone i beton, tegl og kalksandsten.....	45-150 mm	45-150 mm
Vægt svarer til EPTA-procedure 01/2003.....	11,8 kg	11,8 kg

#### Støjinformation

Måleværdier beregnes iht. EN 60 745.

Værktøjets A-vurderede støjniveau er typisk:

Lydtrykniveau (K=3 dB(A)).....	100 dB (A)
Lydeffekt niveau (K=3 dB(A)).....	111 dB (A)

#### Brug høreværn!

#### Vibrationsinformation

Samlede vibrationsværdier (værdisum for tre retninger) beregnet iht. EN 60745.

Vibrationseksponering a<sub>v</sub>:

Hammerboring i beton: .....	12,5 m/s <sup>2</sup>	12,5 m/s <sup>2</sup>
Usikkerhed K = .....	2 m/s <sup>2</sup>	2 m/s <sup>2</sup>
Mejsle: .....	11 m/s <sup>2</sup>	11 m/s <sup>2</sup>
Usikkerhed K = .....	2 m/s <sup>2</sup>	2 m/s <sup>2</sup>

TEKNISKE DATA	K900 K	K900 S
Produktionsnummer .....	4427 82 01...	4427 79 01...
.....	4171 45 01...	4171 67 01...
.....	4171 50 01...	4171 71 01...
.....	4171 55 01...	4171 73 01...
.....	4171 53 01...	4171 73 01...
.....	...000001-999999	...000001-999999
Nominal optagen effekt.....	1600 W	1600 W
Afgiven effekt.....	800 W	800 W
Omdrejningstal, ubelastet.....	975-1950 min <sup>-1</sup>	975-1950 min <sup>-1</sup>
Enkelt slagstyrke iht. EPTAProcedure 05/2009.....	20 J	20 J
Vægt svarer til EPTA-procedure 01/2003.....	11,0 kg	11,0 kg

#### Støjinformation K900 K, K900 S

Værktøjets A-vægtede lydtrykniveau er typisk .....94 dB (A) .....94 dB (A)

Målt værdi i.h.t. 2005/88/EF på brugerens øre.

2005/88/EF: Konformitetsvurdering i.h.t. bilag VI. Sted:

VDE Testing and Certification Institute,

Merianstr. 28,

63069 Offenbach,

Germany

Målt lydeffektniveau..... 102 dB (A) ..... 102 dB (A)

Garanteret lydeffektniveau ..... 105 dB (A) ..... 105 dB (A)

#### Brug høreværn!

#### Vibrationsinformation

Samlede vibrationsværdier (værdisum for tre retninger) beregnet iht. EN 60745.

Vibrationseksponering a<sub>v</sub>:

Mejsle: .....	11 m/s <sup>2</sup>	11 m/s <sup>2</sup>
Usikkerhed K = .....	2 m/s <sup>2</sup>	2 m/s <sup>2</sup>

#### ADVARSEL

Svingningsniveauet, som er angivet i disse anvisninger, er målt i henhold til standardiseret måleprocedure ifølge EN 60745 og kan anvendes til indbyrdes sammenligning mellem el-værktøjer. Svingningsniveauet er ligeledes egnet som foreløbigt skøn over svingningsbelastningen.

Det angivne svingningsniveau er baseret på el-værktøjets primære anvendelsesformål. Hvis el-værktøjet benyttes til andre formål, med andet indsatsværktøj eller ikke vedligeholdes tilstrækkeligt, kan svingningsniveauet afvige. Dette kan øge svingningsbelastningen over den samlede arbejdsperiode betydeligt.

For en nøjagtig vurdering af svingningsbelastningen skal der også tages højde for de tidsperioder, hvor apparatet er slukket, eller hvor apparatet kører, men uden at være i anvendelse. Dette kan reducere svingningsbelastningen over den samlede arbejdsperiode betydeligt.

Supplerende sikkerhedsforanstaltninger til beskyttelse af brugeren mod påvirkninger fra svingninger skal iværksættes, f.eks.: Vedligeholdelse af el-værktøj og indsatsværktøj, varmholdelse af hænder, organisering af arbejdsprocesser.

**ADVARSEL! Læs alle sikkerhedsinformationer og instruktioner.** I tilfælde af manglende overholdelse af advarselshenvisningerne og instrukserne er der risiko for elektrisk stød, brand og/eller alvorlige kvæstelser. **Opbevar alle advarselshenvisninger og instrukser til senere brug.**

#### SIKKERHEDSHENVISNINGER

**Bær høreværn. Støjpåvirkning** kan bevirke tab af hørelse.

**Brug de ekstra håndtag, som følger med apparatet.** Hvis kontrollen mistes, kan det medføre personskade.

**Hold maskinen fast i de isolerede gribeblader, når du udfører arbejde, hvor der er risiko for, at skæreværktøjet kan ramme skjulte strømledninger eller værktøjets egen ledning.** Kommer skæreværktøjet i kontakt med en strømførende ledning, kan maskinens metaldele komme under spænding og give elektrisk stød.

Stikdåser udenørs skal være forsynet med fejlstrømssikringskontakter (FI,RCD,PRCD). Det forlanger installationsforskriften for Deres elektroanlæg. Overhold dette, når De bruger vores maskiner.

Når der arbejdes med maskinen, skal man have beskyttelsesbriller på. Beskyttelseshandsker, skridsikre sko, høreværn og forklæde anbefales.

Spåner eller splinter må ikke fjernes, medens maskinen kører.

Før ethvert arbejde ved maskinen skal stikket tages ud af stikdåsen.

Maskinen sluttes kun udkoblet til stikdåsen.

Tilslutningskablet holdes hele tiden væk fra maskinens arbejdsområde. Kablet ledes altid bort bag om maskinen.

Ved arbejdeboring i væg, loft eller gulv skal man passe på elektriske kabler, gas- og vandledninger.

Støv, som opstår under arbejdet, er ofte sundhedsfarligt og bør ikke trænge ind i kroppen. Benyt egnet åndedrætsværn.

#### TILTÆNKT FORMÅL

K950 K, K950 S: Borehammaren kan bruges universelt til hammerboring og mejsling i sten og beton.

K900 K, K900 S: Hammeren kan benyttes til mejsling i sten og beton.

Produktet må ikke anvendes på anden måde og til andre formål end foreskrevet.

#### CE-KONFORMITETSERKLÆRING

Vi erklærer som eneansvarlig, at det under „Tekniske data“ beskrevne produkt stemmer overens med alle relevante forskrifter, der følger af direktiv 2011/65/EU (RoHS), 2006/42/EF, 2004/108/EF, 2005/88/EF (K900 K, K900 S) samt af følgende harmoniserede normative dokumenter:

EN 60745-1:2009 + A11:2010

EN 60745-2-6:2010

EN 55014-1:2006 + A1:2009 + A2:2011

EN 55014-2:1997 + A1:2001 + A2:2008

EN 61000-3-2:2006 + A1:2009 + A2:2009

EN 61000-3-3:2008

Winnenden, 2012-12-13

*Alexander Krug*

Alexander Krug  
Managing Director



Autoriseret til at udarbejde de tekniske dokumenter.

Techtronic Industries GmbH

Max-Eyth-Straße 10

71364 Winnenden

Germany

#### NETTILSLUTNING

Tilslutning må kun foretages til enfaset vekselstrøm og kun til en netspænding, som er i overensstemmelse med angivelsen på mærkepladen. Tilslutning kan også ske til

stikdåser uden beskyttelseskontakt, da kapslingsklasse II foreligger.

#### VEDLIGEHODELSE

Hold altid maskinens ventilationsåbninger rene.

I forbindelse med udskiftning af nedslidte kul anbefales det, at maskinen indsendes til et autoriseret serviceværksted for almindelig service-check. Det giver optimal sikkerhed for altid funktionsdygtig maskine og lang levetid.

Brug kun Milwaukee-tilbehør og Milwaukee-reservedele. Komponenter, hvor udskiftningsproceduren ikke er beskrevet, skal skiftes ud hos et Milwaukee-servicested (se brochure garanti/kundeserviceadresser).

Hvis det er nødvendigt, kan der bestilles en sprængskitse af værktøjet. Angiv herved venligst maskintypen samt det sekscifrede nummer på mærkepladen og bestil tegningen hos din lokale kundeserviceafdeling eller direkte hos Techtronic Industries GmbH, Max-Eyth-Straße 10, 71364 Winnenden, Tyskland.

#### SYMBOLER



Læs brugsanvisningen nøje før ibrugtagning.



Før ethvert arbejde ved maskinen skal stikket tages ud af stikdåsen.



Tilbehør - Ikke inkluderet i leveringsomfanget, køb købes som tilbehør.



Elværktøj må ikke bortskaffes som almindeligt affald! I henhold til det europæiske direktiv 2002/96/EF om bortskaffelse af elektriske og elektroniske produkter og gældende national lovgivning skal brugt elværktøj indsamles separat og bortskaffes på en måde, der skåner miljøet mest muligt.



Kapslingsklasse II, el-værktøj, hvor beskyttelsen mod elektrisk stød ikke kun afhænger af basisisoleringen, men hvor beskyttelsesforanstaltninger, såsom dobbelt isolering eller forstærket isolering, tillige finder anvendelse.

TEKNISKE DATA	K950 K	K950 S
Produksjonsnummer.....	4171 25 01...	4171 57 01...
.....	4171 35 01...	4171 61 01...
.....	4171 43 01...	4171 63 01...
.....	...000001-999999	...000001-999999
Nominell inngangseffekt.....	1700 W	1700 W
Avgitt effekt.....	850 W	850 W
Tomgangsturtall.....	125-250 min <sup>-1</sup>	125-250 min <sup>-1</sup>
Lastturtall maks.....	125-250 min <sup>-1</sup>	125-250 min <sup>-1</sup>
Lastslag tall maks.....	975-1950 min <sup>-1</sup>	975-1950 min <sup>-1</sup>
Enkeltslagstyrke tilsvarende EPTA-Procedure 05/2009.....	20 J	20 J
Bor-ø i betong.....	28-50 mm	28-50 mm
Tunnelbor i betong, tegl og kalkstein.....	50-80 mm	50-80 mm
Hulborkrone i betong, tegl og kalkstein.....	45-150 mm	45-150 mm
Vekt i henhold til EPTA-Proseduren 01/2003.....	11,8 kg	11,8 kg

### Støyinformasjon

Måleverdier fastslått i samsvar med EN 60 745.

Det typiske A-bedømte støynivået for maskinen er:

Lydtryknivå (K = 3 dB(A)).....	100 dB (A)
Lydeffektnivå (K = 3 dB(A)).....	111 dB (A)

### Bruk hørselsvern!

### Vibrasjonsinformasjon

Totale svingningsverdier (vektorsum fra tre retninger) beregnet jf. EN 60745.

Svingningsemissjonsverdi a<sub>v</sub>:

Hammerboring i betong:.....	12,5 m/s <sup>2</sup>	12,5 m/s <sup>2</sup>
Usikkerhet K = .....	2 m/s <sup>2</sup>	2 m/s <sup>2</sup>
Meisling:.....	11 m/s <sup>2</sup>	11 m/s <sup>2</sup>
Usikkerhet K = .....	2 m/s <sup>2</sup>	2 m/s <sup>2</sup>

TEKNISKE DATA	K900 K	K900 S
Produksjonsnummer.....	4427 82 01...	4427 79 01...
.....	4171 45 01...	4171 67 01...
.....	4171 50 01...	4171 71 01...
.....	4171 55 01...	4171 73 01...
.....	4171 53 01...	4171 73 01...
.....	...000001-999999	...000001-999999
Nominell inngangseffekt.....	1600 W	1600 W
Avgitt effekt.....	800 W	800 W
Tomgangsturtall.....	975-1950 min <sup>-1</sup>	975-1950 min <sup>-1</sup>
Enkeltslagstyrke tilsvarende EPTA-Procedure 05/2009.....	20 J	20 J
Vekt i henhold til EPTA-Proseduren 01/2003.....	11,0 kg	11,0 kg

### Støyinformasjon K900 K, K900 S

Det A-bedømte lyd nivået til maskinen er:.....94 dB (A).....94 dB (A)

Måleverdi beregnet i henhold til 2005/88/EF ved brukerens øre.

2005/88/EF: Samsvarsevalueringsprosess i henhold til vedlegg VI. Nevnt kontor:

VDE Testing and Certification Institute, Merianstr. 28, 63069 Offenbach, Tyskland

Målt lydeffektnivå.....	102 dB (A)	102 dB (A)
Garantert lydeffektnivå.....	105 dB (A)	105 dB (A)

### Bruk hørselsvern!

### Vibrasjonsinformasjon

Totale svingningsverdier (vektorsum fra tre retninger) beregnet jf. EN 60745.

Svingningsemissjonsverdi a<sub>v</sub>:

Meisling:.....	11 m/s <sup>2</sup>	11 m/s <sup>2</sup>
Usikkerhet K = .....	2 m/s <sup>2</sup>	2 m/s <sup>2</sup>

### ADVARSEL

Svingningsnivået som er angitt i denne instruksjonen er målt i overensstemmelse med målemetoden normert i direktiv EN 60745 og kan brukes til å sammenligne elektromaskiner med hverandre. Den egner seg også for en foreløpig vurdering av svingningsbelastningen.

Det angitte svingningsnivået representerer de hovedsaklige bruk av elektroverktøyet. Men anvendes elektroverktøyet for andre bruk med avvikende utskiftbare verktøy eller vedlikeholdet er utilstrekkelig, kan svingningsnivået være avvikende.

Denne kan forhøye svingningsbelastning betydelig over hele arbeidsperioden. For en nøyaktig vurdering av svingningsbelastningen må også det tas hensyn til tiden apparatet er avslått eller står på, men ikke er i bruk. Dette kan redusere svingningsbelastningen betydelig over hele arbeidsperioden.

Innfør også ekstra sikkerhetstiltak for å beskytte bruker mot utvirkningen av svingningene. Disse kan f.eks. være: vedlikehold av elektroverktøyet og det utskiftbare verktøyet, holde hendene varme, organisasjon av arbeidsforløpet.

**⚠ OBS! Les alle sikkerhetsinstruksjoner og bruksanvisninger.** Feil ved overholdelsen av advarslene og nedenstående anvisninger kan medføre elektriske støt, brann og/eller alvorlige skader.

**Ta godt vare på alle advarslene og informasjonene.**

### SPEIELLE SIKKERHETSHENVISNINGER

**Bruk hørselsvern. Støy kan føre til tap av hørselen.**

**Bruk de med apparatet medleverte tileggshandtak.** Tap av kontrollen kan føre til skader.

**Hold apparatet i de isolerte holdeflatene, når det arbeides på steder hvor elektroverktøyet kan treffe skjulte strømledninger eller verktøyet egen kabel.** Kontakt med en ledning som er under spenning, kan også sette metalldele til apparatet under spenning og føre til et elektrisk slag.

Stikkontakter utendørs må være utstyrt med feilstrøm-sikkerhetsbryter (FI, RCD, PRCD). Dette forlanges av installasjonsforskriften for elektroanlegg. Vennligst følg dette når du bruker vårt apparat.

Bruk alltid vernebrille når du arbeider med maskinen. Det anbefales å bruke arbeidshansker, faste og sklisikre sko og forkle.

Spon eller fliser må ikke fjernes mens maskinen er i gang. Trekk støpslet ut av stikkkontakten før du begynner arbeider på maskinen.

Maskinen må være slått av når den koples til stikkkontakten. Hold ledningen alltid vekk fra maskinens virkeområde. Før ledningen alltid bakover fra maskinen.

Pass på kabler, gass- og vannledninger når du arbeider i vegger, tak eller gulv.

Støvet som oppstår ved arbeidet er ofte helsefarlig og skal ikke komme i kontakt med kroppen. Bruk derfor vernemaske som er egnet for støv.

### FORMÅLSMESSIG BRUK

K950 K, K950 S: Borhammeren kan brukes universelt til hammerboring og meisling i steinarter og betong.

K900 K, K900 S: Hammeren kan brukes for meisling i steinarter og betong.

Dette apparatet må kun brukes til de oppgitte formål.

### CE-SAMSVARERKLÆRING

Vi erklærer i alene ansvar at produktet beskrevet i „Teknisk data“ overensstemmer med alle relevante forskrifter til EU direktiv 2011/65/EU (RoHS), 2006/42/EF, 2004/108/EF, 2005/88/EF (K900 K, K900 S) og de følgende harmoniserte normative dokumentene.

EN 60745-1:2009 + A11:2010  
EN 60745-2-6:2010  
EN 55014-1:2006 + A1:2009 + A2:2011  
EN 55014-2:1997 + A1:2001 + A2:2008  
EN 61000-3-2:2006 + A1:2009 + A2:2009  
EN 61000-3-3:2008

Winnenden, 2012-12-13

*Alexander Krug*

Alexander Krug  
Managing Director



Autorisert til å utarbeide den tekniske dokumentasjonen  
Techtronic Industries GmbH  
Max-Eyth-Straße 10  
71364 Winnenden  
Germany

### NETTILKOPLING

Skal bare tilsluttes enfasevekselstrøm og bare til den på skiltet angitte nettspenning. Tilslutning til stikkontakter uten jordet kontakt er mulig fordi beskyttelse beskyttelsesklasse II er forhanden.

### VEDLIKEHOLD

Hold alltid lufteåpningene på maskinen rene.

Når kullbørstene er slitte bør det i tillegg til at disse skiftes ut gjennomføres en servide i et serviceverksted. Dette forlenger maskinens levetid og garanterer en stadig driftsberedskap.

Bruk kun Milwaukee tilbehør og Milwaukee reservedeler. Komponenter der utskifting ikke er beskrevet skal skiftes ut hos Milwaukee kundeservice (se brosjyre garanti/kundeserviceadresser).

Ved behov kan det fås en eksplosjonstegning av apparatet hos kundeservice eller direkte hos Techtronic Industries GmbH, Max-Eyth-Straße 10, 71364 Winnenden, Germany ved angivelse av maskinens type og det sekstallige nummeret på maskinens skilt.

### SYMBOLER



Les nøye gjennom bruksanvisningen før maskinen tas i bruk.



Trekk støpslet ut av stikkkontakten før du begynner arbeider på maskinen.



Tilbehør - inngår ikke i leveransen, anbefalt komplettering fra tilbehørsprogrammet.



Kast aldri elektroverktøy i husholdningsavfallet! I henhold til EU-direktiv 2002/96/EF om kasserte elektriske og elektroniske produkter og direktivets iverksetning i nasjonal rett, må elektroverktøy som ikke lenger skal brukes, samles separat og returneres til et miljøvennlig gjenvinningsanlegg.



Verneklasse II, elektroverktøy, vern mot elektriske slag beror ikke bare på basisisoleringen, men også på at i tillegg vernetilak som dobbelte isolering eller forsterket isolering anvendes.



TEKNISKA DATA	K950 K	K950 S
Produktionsnummer .....	4171 25 01...	4171 57 01...
.....	4171 35 01...	4171 61 01...
.....	4171 43 01...	4171 63 01...
.....	...000001-999999	...000001-999999
Nominell upptagen effekt .....	1700 W	1700 W
Uteffekt .....	850 W	850 W
Obelastat varvtal .....	125-250 min <sup>-1</sup>	125-250 min <sup>-1</sup>
Belastat varvtal .....	125-250 min <sup>-1</sup>	125-250 min <sup>-1</sup>
Belastat slagtal max. ....	975-1950 min <sup>-1</sup>	975-1950 min <sup>-1</sup>
Enkelslagstyrka enligt EPTAProcedure 05/2009 .....	20 J	20 J
Borrdiam. in betong .....	28-50 mm	28-50 mm
Tunnelbörning i betong, tegel och kalksandsten .....	50-80 mm	50-80 mm
Borrkronor i betong, tegel och kalksandsten .....	45-150 mm	45-150 mm
Vikt enligt EPTA 01/2003 .....	11,8 kg	11,8 kg

#### Bullerinformation

Mätvärdena har tagits fram baserade på EN 60 745.

A-värdet av maskinens ljudnivå utgör:

Ljudtrycksnivå (K=3 dB(A)) ..... 100 dB (A)

Ljudeffektsnivå (K=3 dB(A)) ..... 111 dB (A)

#### Använd hörselskydd!

#### Vibrationsdata

Totala vibrationsvärden (vektorsumma ur tre riktningar) framtaget enligt EN 60745.

Vibrationsemissionsvärde a<sub>h</sub>:

Hammarbörning in betong: ..... 12,5 m/s<sup>2</sup> ..... 12,5 m/s<sup>2</sup>

Onoggrannhet K = ..... 2 m/s<sup>2</sup> ..... 2 m/s<sup>2</sup>

Mejsla: ..... 11 m/s<sup>2</sup> ..... 11 m/s<sup>2</sup>

Onoggrannhet K = ..... 2 m/s<sup>2</sup> ..... 2 m/s<sup>2</sup>

TEKNISKA DATA	K900 K	K900 S
Produktionsnummer .....	4427 82 01...	4427 79 01...
.....	4171 45 01...	4171 67 01...
.....	4171 50 01...	4171 71 01...
.....	4171 55 01...	4171 73 01...
.....	4171 53 01...	4171 73 01...
.....	...000001-999999	...000001-999999
Nominell upptagen effekt .....	1600 W	1600 W
Uteffekt .....	800 W	800 W
Obelastat varvtal .....	975-1950 min <sup>-1</sup>	975-1950 min <sup>-1</sup>
Enkelslagstyrka enligt EPTAProcedure 05/2009 .....	20 J	20 J
Vikt enligt EPTA 01/2003 .....	11,0 kg	11,0 kg

#### Bullerinformation K900 K, K900 S

A-värdet av maskinens ljudtrycksnivå är .....

Värdet uppmätt enligt 2005/88/EG vid operatörens öra. .... 94 dB (A) ..... 94 dB (A)

2005/88/EG: Förfarande för att säkerställa

överensstämmelsen enligt bilaga VI.

Anmält organ:

VDE Testing and Certification Institute, Merianstr. 28,

63069 Offenbach, Germany

Uppmätt ljudtrycksnivå ..... 102 dB (A) ..... 102 dB (A)

Garanterad ljudtrycksnivå ..... 105 dB (A) ..... 105 dB (A)

#### Använd hörselskydd!

#### Vibrationsdata

Totala vibrationsvärden (vektorsumma ur tre riktningar) framtaget enligt EN 60745.

Vibrationsemissionsvärde a<sub>h</sub>:

Mejsla: ..... 11 m/s<sup>2</sup> ..... 11 m/s<sup>2</sup>

Onoggrannhet K = ..... 2 m/s<sup>2</sup> ..... 2 m/s<sup>2</sup>

#### VARNING

Den i de här anvisningarna angivna vibrationsnivån har uppmätts enligt ett i EN 60745 normerat mätförfarande och kan användas vid jämförelse mellan olika elverktyg. Nivån är även lämplig att använda vid en preliminär bedömning av vibrationsbelastningen.

Den angivna vibrationsnivån representerar den huvudsakliga användningen av det aktuella elverktyget. Men om elverktyget ska användas i andra användningsområden, tillsammans med avvikande insatsverktyg eller efter otillräckligt underhåll, kan vibrationsnivån skilja sig. Det kan öka vibrationsbelastningen betydligt under hela arbetstiden.

För att få en exaktare bedömning av vibrationsbelastningen ska även den tid beaktas, under vilken elverktyget är avstängt eller är påslaget, utan att det verkligen används. Det kan reducera vibrationsbelastningen betydligt under hela arbetstiden.

Lägg som skydd för användaren fast extra säkerhetsåtgärder mot vibrationernas verkan, som till exempel: underhåll av elverktyg och insatsverktyg, varmhållning av händer och organisering av arbetsförlopp.

**⚠ VARNING! Läs all säkerhetsinformation och alla anvisningar.** Fel som uppstår till följd av att anvisningarna nedan inte följts kan orsaka elstöt, brand och/eller allvarliga kroppsskador.  
**Förvara alla varningar och anvisningar för framtida bruk.**

#### SÄKERHETSUTRUSTNING

**Bär hörselskydd. Bullerbelastning kan orsaka hörselskador.**

**Använd de extrahandtag som levereras tillsammans med maskinen.** Förlust av kontrollen kan leda till personskadorna.

**Håll fast apparaten med hjälp av de isolerade greppytorna när du utför arbeten där arbetsverktyget skulle kunna träffa på dolda ledningar eller kablar.** Om man kommer i kontakt med en spänningsförande ledning, så kan även de delar på verktyget som är av metall bli spänningsförande och leda till att man får en elektrisk stöt.

Anslut alltid verktyget till via en felströmbrytare (FI, RCD, PRCD) vid användning utomhus.

Använd alltid skyddsglasögon, skyddshandskar och hörselskydd.

Avlägsna aldrig spån eller flisor när maskinen är igång.

Drag alltid ur kontakten när du utför arbeten på maskinen.

Maskinen skall vara fränkopplad innan den anslutes till väggurtag.

Nätkabeln skall alltid hållas ifrån arbetsområdet. Lägg kabeln bakåt i förhållande till arbetsriktningen.

Vid arbetenbörning i vägg, tak eller golv, var alltid observant på befintliga el-, gas- eller vattenledningar.

Det damm som bildas under arbetets gång är ofta hälsofarligt och det ska inte komma in i kroppen. Bär därför lämplig skyddsmask.

#### ANVÄND MASKINEN ENLIGT ANVISNINGARNA

K950 K, K950 S: Borrhammaren kan universellt användas för hammarbörning och mejsling i sten och betong.

K900 K, K900 S: Hammaren kan användas till mejsling i sten och betong.

Maskinen får endast användas för angiven tillämpning.

#### CE-FÖRSÄKRAN

Vi intygar och ansvarar för att den produkt som beskrivs under "Tekniska data" överensstämmer med alla relevanta bestämmelser i direktiv 2011/65/EU (RoHS), 2006/42/EG, 2004/108/EG, 2005/88/EG (K900 K, K900 S) och följande harmoniserade normerande dokument:

EN 60745-1:2009 + A11:2010

EN 60745-2-6:2010

EN 55014-1:2006 + A1:2009 + A2:2011

EN 55014-2:1997 + A1:2001 + A2:2008

EN 61000-3-2:2006 + A1:2009 + A2:2009

EN 61000-3-3:2008

Winnenden, 2012-12-13

*Alexander Krug*

Alexander Krug  
Managing Director



Befullmäktigad att sammanställa teknisk dokumentation.

Techtronic Industries GmbH

Max-Eyth-Straße 10

71364 Winnenden

Germany

#### NÄTANSLUTNING

Får endast anslutas till 1-fas växelström och till den spänning som anges på dataskylten. Anslutning kan även ske till eluttag utan skyddskontakt, eftersom konstruktionen motsvarar skyddsklass II.

#### SKÖTSEL

Se till att motorhöljets luftslitsar är rena.

Viktig! I samband med kolbyten är en översyn på serviceverkstad att rekommendera. Detta för att höja maskinens livslängd och garantera ytterligare driftssäkerhet.

Använd endast Milwaukee-tillbehör och Milwaukee-reservdelar. Komponenter, för vilka inget byte beskrivs, skall bytas ut hos Milwaukee-kundtjänst (se broschyren garanti-/kundtjänstadresser).

Vid behov kan du rekvidrera apparatens sprängskiss antingen hos kundservicen eller direkt hos Techtronic Industries GmbH, Max-Eyth-Straße 10, 71364 Winnenden, Germany. Du ska då ange maskintypen och numret på sex siffror som står på effektskylten.

#### SYMBOLER



Läs instruktionen noga innan du startar maskinen.



Drag alltid ur kontakten när du utför arbeten på maskinen.



Tillbehör - Ingår ej i leveransomfånget, erhålles som tillbehör.



Elektriska verktyg får inte kastas i hushållssoporna! Enligt direktivet 2002/96/EG som avser äldre elektrisk och elektronisk utrustning och dess tillämpning enligt nationell lagstiftning ska uttjänta elektriska verktyg sorteras separat och lämnas till miljövänlig återvinning.



Skyddsklass II, elverktyg där skyddet mot elektriska stötar inte bara hänför sig till en basisolering, utan som också har extra skyddsanordningar, som t.ex. en dubbel isolering eller en förstärkt isolering.



TEKNISET ARVOT	K950 K	K950 S
Tuotantonumero .....	4171 25 01...	4171 57 01...
.....	4171 35 01...	4171 61 01...
.....	4171 43 01...	4171 63 01...
.....	...000001-999999	...000001-999999
Nimellinen teho .....	1700 W	1700 W
Antoteho .....	850 W	850 W
Kuormittamaton kierrosnopeus .....	125-250 min <sup>-1</sup>	125-250 min <sup>-1</sup>
Kuormitettu kierrosnopeus maks. ....	125-250 min <sup>-1</sup>	125-250 min <sup>-1</sup>
Kuormitettu iskutaajuus maks. ....	975-1950 min <sup>-1</sup>	975-1950 min <sup>-1</sup>
Kiinnityskun voimakkuus vastaa EPTA-Procedure 05/2009 .....	20 J	20 J
Poran ø betonin .....	28-50 mm	28-50 mm
Tunnelipora betonin, tiilen ja kalkin poraukseen.....	50-80 mm	50-80 mm
Kruununpora betonin, tiilen ja kalkin poraukseen.....	45-150 mm	45-150 mm
Paino EPTA-menettelyn 01/2003 mukaan.....	11,8 kg	11,8 kg

#### Melunpäästötiedot

Mitta-arvot määritetty EN 60 745 mukaan.

Koneen tyypillinen A-luokitettu melutaso:

Melutaso (K = 3 dB(A)).....	100 dB (A)
Äänenvoimakkuus (K = 3 dB(A)).....	111 dB (A)

#### Käytä kuulosuojaimia!

#### Tärinätieto

Värähtelyn yhteisarvot (kolmen suunnan vektorisumma)

mitattuna EN 60745 mukaan.

Värähtelyemissioarvo a<sub>h</sub>:

Vasara poraukseen, betoniin: .....	12,5 m/s <sup>2</sup>	12,5 m/s <sup>2</sup>
Epävarmuus K = .....	2 m/s <sup>2</sup>	2 m/s <sup>2</sup>
Taltaus: .....	11 m/s <sup>2</sup>	11 m/s <sup>2</sup>
Epävarmuus K = .....	2 m/s <sup>2</sup>	2 m/s <sup>2</sup>

TEKNISET ARVOT	K900 K	K900 S
Tuotantonumero .....	4427 82 01...	4427 79 01...
.....	4171 45 01...	4171 67 01...
.....	4171 50 01...	4171 71 01...
.....	4171 55 01...	4171 73 01...
.....	4171 53 01...	4171 73 01...
.....	...000001-999999	...000001-999999
Nimellinen teho .....	1600 W	1600 W
Antoteho .....	800 W	800 W
Kuormittamaton kierrosnopeus .....	975-1950 min <sup>-1</sup>	975-1950 min <sup>-1</sup>
Kiinnityskun voimakkuus vastaa EPTA-Procedure 05/2009 .....	20 J	20 J
Paino EPTA-menettelyn 01/2003 mukaan.....	11,0 kg	11,0 kg

#### Melunpäästötiedot K900 K, K900 S

Yleensä työkalun A-luokan melutaso .....

Arvot mitattu 2005/88/EG perusteella käyttäjän korvan kohdalta.

2005/88/EG: Yhdenmukaisuuden arviointiprosessi liitteen VI

mukaan. Vastaava organisaatio:

VDE Testing and Certification Institute, Merianstr. 28,

63069 Offenbach, Saksa

Mitattu äänenvoiman taso .....

Taattu äänenvoiman taso .....

#### Käytä kuulosuojaimia!

#### Tärinätieto

Värähtelyn yhteisarvot (kolmen suunnan vektorisumma)

mitattuna EN 60745 mukaan.

Värähtelyemissioarvo a<sub>h</sub>:

Taltaus: .....	11 m/s <sup>2</sup>	11 m/s <sup>2</sup>
Epävarmuus K = .....	2 m/s <sup>2</sup>	2 m/s <sup>2</sup>

#### VAROITUS

Näissä ohjeissa mainittu värähtelytaso on mitattu EN 60745 -standardin mukaisella mittausmenetelmällä ja sitä voidaan käyttää sähkötyökalujen vertaamiseen. Sitä voidaan käyttää myös värähtelyrasituksen väliaikaiseen arviointiin.

Mainittu värähtelytaso edustaa sähkötyökalun pääasiallista käyttöä. Jos sähkötyökalua kuitenkin käytetään muihin tehtäviin, poikkeavin työkaluun tai riittämättömästi huoltaen, värähtelytaso voi olla erilainen. Se voi korottaa värähtelyrasitusta koko työajan osalta.

Tarkan värähtelyrasituksen toteamiseen tulee ottaa huomioon aika, jona laite on kytketty pois tai on kylläkin päällä, mutta ei käytössä. Se voi pienentää värähtelyrasitusta koko työajan osalta.

Määrittele lisäturvatoimenpiteitä käyttäjän suojaamiseksi värinöiden vaikutukselta, kuten esimerkiksi: sähkötyökalujen ja käyttötyökalujen huolto, käsien lämpiminä pitäminen, työvaiheiden organisaatio.

**VAROITUS!** Lue kaikki turvallisuusmääräykset ja ohjeet. Turvallisuusohjeiden noudattamisen laiminlyönti saattaa johtaa sähköiskuun, tulipaloon ja/tai vakavaan loukkaantumiseen. Säilytä kaikki turvallisuus- ja muut ohjeet tulevaisuutta varten.

#### TURVALLISUUSOHJEET

**Käytä korvasuojia. Altistuminen melulle voi vahingoittaa kuuloa.**

**Käytä koneen mukana toimitettua apukahvaa.** Koneen hallinnan menetys saattaa aiheuttaa henkivahinkoja.

**Pitele laitteita vain eristetyistä tarttumapinnoista, kun suoritat sellaisia töitä, joissa leikkaustyökalu saattaa osua piilossa oleviin sähköjohtoihin tai omaan liitäntäjohtoon.** Leikkaustyökalun yhteys jännitteelliseen johtoon saattaa tehdä laitteen metalliset osat jännitteellisiksi ja aiheuttaa sähköiskun.

Ulkokäytössä olevat pistorasiat on varustettava vikavirtasuojakytkimillä (FI, RCD PRCD) sähkölaitteistosi asennusmääräyksen mukaisesti. Muista tarkistaa, että laite liitetään ulkokäytössä ulkopistorasiaan ja neuvottele asiasta sähköasentajasi kanssa.

Käytä laitteella työskennellessäsi aina suojalaseja. Suojakäsineiden, turvallisten ja tukevapohjaisten kenkien, kuulosuojainten ja suojaesiliinan käyttöä suositellaan.

Lastuja tai puruja ei saa poistaa koneen käydessä. Irrota aina pistotulppa seinäkoskettimesta ennen koneeseen tehtäviä toimempiteitä.

Varmista, että kone on sammutettu ennen kytkemistä sähköverkkoon.

Pidä sähköjohto poissa koneen käyttöalueelta. Siirrä se aina taaksesi.

Varo seinään, kattoon tai lattiaan porattaessa osumasta sähköjohtoon, kaasu- ja vesijohtoihin.

Koneen käytöstä aiheutuva pöly ja jäte voi olla haitallista terveydelle eikä sen vuoksi tulisi päästä kosketukseen ihon kanssa. Koneella työskennellessä on käytettävä sopivaa suojainta.

#### TARKOITUKSEN MUKAINEN KÄYTTÖ

K950 K, K950 S: Porasava soveltuu yleiseen kivenporaukseen ja -taltaukseen, ja betoniin.

K900 K, K900 S: Vasara soveltuu yleiseen kiventaltaukseen, ja betoniin.

Älä käytä tuotetta ohjeiden vastaisesti.

#### TODISTUS CE-STANDARDIN MUKAISUUDESTA

Vakuutamme yksinvastuullisesti, että kohdassa "Tekniset tiedot" kuvattu tuote vastaa kaikkia sitä koskevia direktiivien 2011/65/EU (RoHS), 2006/42/EY, 2004/108/EY, 2005/88/EY (K900 K, K900 S) määräyksiä sekä seuraavia harmonisoituja standardisovivia asiakirjoja:

EN 60745-1:2009 + A11:2010

EN 60745-2-6:2010

EN 55014-1:2006 + A1:2009 + A2:2011

EN 55014-2:1997 + A1:2001 + A2:2008

EN 61000-3-2:2006 + A1:2009 + A2:2009

EN 61000-3-3:2008

Winnenden, 2012-12-13

*Alexander Krug*

Alexander Krug  
Managing Director



Valtuutettu kokoamaan tekniset dokumentit.

Techtronic Industries GmbH

Max-Eyth-Straße 10

71364 Winnenden

Germany

#### VERKKOLIITÄNTÄ

Yhdistä ainoastaan tasavirtalähteeseen, jonka volttimäärä on sama kuin levyssä ilmoitettu. Myös liittäminen maadoittamattomiin pistokkeisiin on mahdollista, sillä muotoilu on yhdenmukainen turvallisuusluokan II kanssa.

#### HUOLTO

Pidä moottorin ilmanottoaukot puhtaina.

Hiiltenvaihdon lisäksi jotkut muutkin huoltotoimenpiteet saattavat olla tarpeen. Koneen pitkän kestoajan ja luotettavan toimintavalmiuden turvaamiseksi, suosittelemme näissä tapauksissa kääntymistä valtuutetun huoltokorjaamon puoleen.

Käytä ainoastaan Milwaukee lisätarvikkeita ja Milwaukee varaosia. Mikäli jokin komponentti, jota ei ole kuvailtu, tarvitsee vaihtoa ota yhteys johonkin Milwaukee palvelupisteistä (kts. listamme takuuhuoltoikkaiden/ palvelupisteiden osoitteista)

Tarvittaessa voit pyytää laitteen räjähdyspiirustuksen ilmoittaan konetyypin ja tyyppikilvessä olevan kuusinumeroisen luvun huoltopalvelustasi tai suoraan osoitteella Techtronic Industries GmbH, Max-Eyth-Strasse 10, 71364 Winnenden, Saksa.

#### SYMBOLIT



Lue käyttöohjeet huolellisesti, ennen koneen käynnistämistä.



Irrota aina pistotulppa seinäkoskettimesta ennen koneeseen tehtäviä toimempiteitä.



Lisälaite - Ei sisälly vakiovarustukseen, saatavana lisätarvikkeena.



Älä hävitä sähkötyökalua tavallisen kotitalousjätteen mukana! Vanhoja sähkö- ja elektroniikkalaitteita koskevan EU-direktiivin 2002/96/ETY ja sen maakohtaisten sovellusten mukaisesti käytetyt sähkötyökalut on toimitettava ongelmajätteen keräyspisteeseen ja ohjattava ympäristöystävälliseen kierrätykseen.



II luokan sähkötyökalu, jonka sähköiskusuojaus ei ole riippuvainen vain peruseristyksestä, vaan lisäturvatoimenpiteistä, kuten kaksinkertaisesta eristyksestä tai vahvistetusta eristyksestä.

ΤΕΧΝΙΚΑ ΣΤΟΙΧΕΙΑ	K950 K	K950 S
Αριθμός παραγωγής.....	4171 25 01.....	4171 57 01.....
.....	4171 35 01.....	4171 61 01.....
.....	4171 43 01.....	4171 63 01.....
.....	...000001-999999	...000001-999999
Όνομαστική ισχύς.....	1700 W.....	1700 W.....
Αποδιδόμενη ισχύς.....	850 W.....	850 W.....
Αριθμός στροφών χωρίς φορτίο.....	125-250 min <sup>-1</sup> .....	125-250 min <sup>-1</sup> .....
Μέγιστος αριθμός στροφών με φορτίο.....	125-250 min <sup>-1</sup> .....	125-250 min <sup>-1</sup> .....
Μέγιστος αριθμός κρούσεων με φορτίο.....	975-1950 min <sup>-1</sup> .....	975-1950 min <sup>-1</sup> .....
Ισχύς μεμονωμένης κρούσης κατά EPTA-Procedure 05/2009 θ τρύπιας σε ακυρόδεμα (μπετόν).....	20 J.....	20 J.....
Τρύπια τούνελ σε μπετόν, κεραμικά και αβεστολιθικό σιμάνη Κορώνα κούλου τρυπανού σε μπετόν, κεραμικά και αβεστολιθικό σιμάνη	28-50 mm.....	28-50 mm.....
.....	50-80 mm.....	50-80 mm.....
.....	45-150 mm.....	45-150 mm.....
Βάρος σύμφωνα με τη διαδικασία EPTA 01/2003.....	11,8 kg.....	11,8 kg.....

#### Πληροφορίες θορύβου

Τιμές μέτρησης εξακριβωμένες κατά EN 60 745.

Η σύμφωνη με την καμπύλη A εκτιμηθείσα στάθμη θορύβου του μηχανήματος αναφέρεται σε:

Στάθμη ηχητικής πίεσης (K=3 dB(A)).....	100 dB (A)
Στάθμη ηχητικής ισχύος (K=3 dB(A)).....	111 dB (A)

#### Φοράτε προστασία ακοής (ωτασπίδες)!

#### Πληροφορίες δονήσεων

Ολικές τιμές κραδασμών (άθροισμα διανυσμάτων τριών διευθύνσεων) εξακριβώθηκαν σύμφωνα με τα πρότυπα του EN 60745.

Τρύπημα, Σκυρόδεμα (μπετόν):.....	12,5 m/s <sup>2</sup> .....	12,5 m/s <sup>2</sup> .....
Ανασφάλεια K =.....	2 m/s <sup>2</sup> .....	2 m/s <sup>2</sup> .....
Σμίλευση:.....	11 m/s <sup>2</sup> .....	11 m/s <sup>2</sup> .....
Ανασφάλεια K =.....	2 m/s <sup>2</sup> .....	2 m/s <sup>2</sup> .....

ΤΕΧΝΙΚΑ ΣΤΟΙΧΕΙΑ	K900 K	K900 S
Αριθμός παραγωγής.....	4427 82 01.....	4427 79 01.....
.....	4171 45 01.....	4171 67 01.....
.....	4171 50 01.....	4171 71 01.....
.....	4171 55 01.....	4171 73 01.....
.....	4171 53 01.....	.....
.....	...000001-999999	...000001-999999
Όνομαστική ισχύς.....	1600 W.....	1600 W.....
Αποδιδόμενη ισχύς.....	800 W.....	800 W.....
Αριθμός στροφών χωρίς φορτίο.....	975-1950 min <sup>-1</sup> .....	975-1950 min <sup>-1</sup> .....
Ισχύς μεμονωμένης κρούσης κατά EPTA-Procedure 05/2009 θ τρύπιας σε ακυρόδεμα (μπετόν).....	20 J.....	20 J.....
Βάρος σύμφωνα με τη διαδικασία EPTA 01/2003.....	11,0 kg.....	11,0 kg.....

#### Πληροφορίες θορύβου

Τυπική A αξιολογημένη στάθμη θορύβου:.....94 dB (A).....94 dB (A)

Η τιμή μέτρησης υπολογίστηκε σύμφωνα με το 2005/88/EK στο αυτό του χρήστη.

2005/88/EK: Μέθοδος αξιολόγησης συμμόρφωσης σύμφωνα με το παράρτημα VI. Ονομαζόμενη υπηρεσία: VDE Testing and Certification Institute, Merianstr. 28, 63069 Offenbach, Germany

Μετρημένη στάθμη ηχητικής ισχύος.....	102 dB (A).....	102 dB (A).....
Εγγυημένη στάθμη ηχητικής ισχύος.....	105 dB (A).....	105 dB (A).....

#### Φοράτε προστασία ακοής (ωτασπίδες)!

#### Πληροφορίες δονήσεων

Ολικές τιμές κραδασμών (άθροισμα διανυσμάτων τριών διευθύνσεων) εξακριβώθηκαν σύμφωνα με τα πρότυπα του EN 60745.

Σμίλευση:.....	11 m/s <sup>2</sup> .....	11 m/s <sup>2</sup> .....
Ανασφάλεια K =.....	2 m/s <sup>2</sup> .....	2 m/s <sup>2</sup> .....

#### ΠΡΟΕΙΔΟΠΟΙΗΣΗ

Το αναφερόμενο σ' αυτές τις οδηγίες επίπεδο δονήσεων έχει μετρηθεί με μια τυποποιημένη σύμφωνα με το EN 60745 μέθοδο μέτρησης και μπορεί να χρησιμοποιηθεί για τη σύγκριση των ηλεκτρικών εργαλείων μεταξύ τους. Αυτό είναι επίσης κατάλληλο για μια προσωρινή εκτίμηση της επιβάρυνση των δονήσεων.

Το αναφερόμενο επίπεδο δονήσεων αντιπροσωπεύει τις κύριες χρήσεις του ηλεκτρικού εργαλείου. Εάν όμως το ηλεκτρικό χρησιμοποιείται σε άλλες χρήσεις, με διαφορετικά εργαλεία εφαρμογής ή ανεπαρκή συντήρηση, μπορεί να υπάρξει απόκλιση του επιπέδου δονήσεων. Αυτό μπορεί να αυξήσει σημαντικά την επιβάρυνση των δονήσεων για τη συνολική διάρκεια της εργασίας.

Για μια ακριβή εκτίμηση της επιβάρυνσης των δονήσεων οφείλουν επίσης να λαμβάνονται υπόψη οι χρόνοι, στους οποίους η συσκευή είναι απενεργοποιημένη ή είναι με ενεργοποιημένη αλλά δεν χρησιμοποιείται πραγματικά. Αυτό μπορεί να μειώσει σημαντικά την επιβάρυνση των δονήσεων για τη συνολική διάρκεια της εργασίας.

Καθορίζετε πρόσθετα μέτρα ασφαλείας για την προστασία του χειριστή από την επίδραση των δονήσεων όπως για παράδειγμα: Συντήρηση του ηλεκτρικού εργαλείου και των εργαλείων εφαρμογής, διατηρείτε ζεστά τα χέρια, οργάνωση των διαδικασιών εργασίας.

**⚠ ΠΡΟΣΟΧΗ!** Διαβάστε όλες τις οδηγίες ασφαλείας και τις οδηγίες χρήσεως. Αμέλειες κατά την τήρηση των προειδοποιητικών υποδείξεων μπορεί να προκαλέσουν ηλεκτροπληξία, κίνδυνο πυρκαγιάς ή/και σοβαρούς τραυματισμούς.  
**Φυλάξτε όλες τις προειδοποιητικές υποδείξεις και οδηγίες για κάθε μελλοντική χρήση.**

#### ΕΙΔΙΚΕΣ ΥΠΟΔΕΙΞΕΙΣ ΑΣΦΑΛΕΙΑΣ

**Φοράτε ωτασπίδες. Η επίδραση θορύβου μπορεί να προκαλέσει απώλεια ακοής.**

**Χρησιμοποιείτε με τη συσκευή τις προμηθευόμενες πρόσθετες χειρολαβές.** Η απώλεια ελέγχου μπορεί να οδηγήσει σε τραυματισμό.

**Να πιάνετε τη συσκευή στις μονωμένες χειρολαβές όταν εκτελείτε εργασίες κατά τις οποίες τα κοπτικά εργαλεία θα μπορούσαν να πέσουν επάνω σε κρυμμένα καλώδια ρεύματος ή στο δικό της καλώδιο.** Η επαφή των κοπτικών εργαλείων με αγωγό τροφοδοσίας τάσης μπορεί να θέσει τα μεταλλικά τμήματα της συσκευής υπ' όσταση και να προκαλέσει ηλεκτροπληξία.

Οι μπρίζες στους εξωτερικούς χώρους πρέπει να είναι εξοπλισμένες με μικροαυτόματους διακόπτες προστασίας (FI, RCD, PRCD). Αυτό απαιτεί ο σχετικός κανονισμός από την ηλεκτρική σας εγκατάσταση. Προσέξτε παρακαλώ αυτό το σημείο κατά τη χρήση της συσκευής μας.

Στις εργασίες με τη μηχανή φοράτε πάντοτε προστατευτικά γυαλιά. Συνιστάται τα προστατευτικά γάντια, τα σταθερά και αντιολισθητικά παπούτσια και η ποδιά.

Τα γρέζια ή τα σκληρές δεν επιτρέπεται να απομακρύνονται με κινούμενη τη μηχανή.

Πριν από κάθε εργασία στη μηχανή τραβάτε το φως από την πρίζα.

Συνδέστε τη μηχανή στην πρίζα μόνο, εφόσον βρίσκεται απενεργοποιημένη.

Κρατάτε το καλώδιο σύνδεσης πάντοτε μακριά από την περιοχή δράσης της μηχανής. Περνάτε το καλώδιο πάντοτε πίσω από τη μηχανή.

Κατά τις εργασίες στον τοίχο, στην οροφή ή στο δάπεδο προσέχετε για τυχόν ηλεκτρικά καλώδια και για σωλήνες αερίου και νερού.

Η σκόνη που δημιουργείται κατά την εργασία είναι συχνά επιβλαβής για την υγεία και δεν επιτρέπεται να έλθει στο σώμα. Να φοράτε κατάλληλη μάσκα προστασίας από σκόνη.

#### ΧΡΗΣΗ ΣΥΜΦΩΝΑ ΜΕ ΤΟ ΣΚΟΠΟ ΠΡΟΟΡΙΣΜΟΥ

K950 K, K950 S: Το περιστροφικό πιστολέτο μπορεί να χρησιμοποιηθεί γενικά για κρουστικό τρύπημα και καλέμισμα σε πετρώματα.

K900 K, K900 S: Το πιστολέτο πιστολέτο μπορεί να χρησιμοποιηθεί για κρουστικό τρύπημα και καλέμισμα σε πετρώματα.

Αυτή η συσκευή επιτρέπεται να χρησιμοποιηθεί μόνο σύμφωνα με τον αναφερόμενο σκοπό προορισμού.

#### ΔΗΛΩΣΗ ΠΙΣΤΟΤΗΤΑΣ ΕΚ

Δηλώνουμε υπεύθυνα ότι το προϊόν που περιγράφεται στο κεφάλαιο «Τεχνικά χαρακτηριστικά» είναι συμβατό με τις διατάξεις της Κοινοτικής Οδηγίας 2011/65/EU (RoHS), 2006/42/EK, 2004/108/EK, 2005/88/EK (K900 K, K900 S) και με τα ακόλουθα εναρμονισμένα κανονιστικά έγγραφα:

EN 60745-1:2009 + A1:2010

EN 60745-2-6:2010

EN 55014-1:2006 + A1:2009 + A2:2011

EN 55014-2:1997 + A1:2001 + A2:2008

EN 61000-3-2:2006 + A1:2009 + A2:2009

EN 61000-3-3:2008

Winnenden, 2012-12-13

Alexander Krug

Managing Director

Εξουσιοδοτημένος να συντάξει τον τεχνικό φάκελο.

Techtronic Industries GmbH

Max-Eyth-Straße 10

71364 Winnenden

Germany



#### ΣΥΝΔΕΣΗ ΣΤΟ ΗΛΕΚΤΡΙΚΟ ΔΙΚΤΥΟ

Συνδέστε μόνο σε μονοφασικό αναλασσομένο ρεύμα και μόνο σε τάση δικτύου όπως αναφέρεται στην πινακίδα τεχνικών χαρακτηριστικών. Η σύνδεση είναι επίσης εφικτή σε πρίζες χωρίς προστασία επαφής, διότι υπάρχει μια δομή της κατηγορίας προστασίας II.

#### ΣΥΝΤΗΡΗΣΗ

Διατηρείτε πάντοτε τις σχισμές εξαερισμού στη μηχανή καθαρές.

Σε περίπτωση που οι ψήκτρες (καρβουνάκια) είναι φθαρμένες, επιπλέον της αλλαγής των ψηκτρών, πρέπει να εκτελεστεί και ένα σέρβις σ' ένα συνεργείο σέρβις. Αυτό μεγαλώνει τη διάρκεια ζωής της μηχανής και εγγυάται μια συνεχή ετοιμότητα για λειτουργία.

Χρησιμοποιείτε μόνο πρόσθ. εξαρτήματα Milwaukee και ανταλλακτικά Milwaukee. Κατασκ. τμήματα, που η αλλαγή τους δεν περιγράφεται, αντικαθίστανται σε μια τεχνική υποστήριξη της Milwaukee (βλέπε φυλλάδιο εγγύηση/διευθύνσεις τεχνικής υποστήριξης).

Σε περίπτωση που το χρεαστείτε μπορείτε να παραγγείλετε λεπτομερές σχέδιο της συσκευής αναφέροντας τον τύπο και τον εξαψήφιο αριθμό που βρίσκεται στην πινακίδα τεχνικών χαρακτηριστικών από την εξυπηρέτηση πελατών ή απευθείας από την Techtronic Industries GmbH, διεύθυνση Max-Eyth-Straße 10, 71364 Winnenden, Germany.

#### ΣΥΜΒΟΛΑ



Παρακαλώ διαβάστε σχολαστικά τις οδηγίες χρήσης πριν από την έναρξη λειτουργίας.



Πριν από κάθε εργασία στη μηχανή τραβάτε το φως από την πρίζα.



Εξαρτήματα - Δεν περιλαμβάνονται στα υλικά παράδοσης, συνιστούμε προσθήκη από το πρόγραμμα εξαρτημάτων.



Μην πετάτε τα ηλεκτρικά εργαλεία στον κάδο οικιακών απορριμμάτων! Σύμφωνα με την ευρωπαϊκή οδηγία 2002/96/EK περί ηλεκτρικών και ηλεκτρονικών συσκευών και την ενσωμάτωση της στο εθνικό δίκαιο, τα ηλεκτρικά εργαλεία πρέπει να συλλέγονται ξεχωριστά και να πιστρέφονται για ανακύκλωση με τρόπο φιλικό προς το περιβάλλον.



Κατηγορία προστασίας II, ηλεκτρικό εργαλείο, στο οποίο η προστασία έναντι ηλεκτροπληξίας δεν εξαρτάται μόνο από τη βασική μόνωση, αλλά από την εφαρμογή πρόσθετων προστατευτικών μέτρων όπως διπλή μόνωση ή ενισχυμένη μόνωση.

TEKNİK VERİLER	K950 K	K950 S
Üretim numarası .....	4171 25 01...	4171 57 01...
.....	4171 35 01...	4171 61 01...
.....	4171 43 01...	4171 63 01...
.....	...000001-999999	...000001-999999
Giriş gücü .....	1700 W	1700 W
Çıkış gücü .....	850 W	850 W
Boştaki devir sayısı.....	125-250 min <sup>-1</sup>	125-250 min <sup>-1</sup>
Yükteki maksimum devir sayısı .....	125-250 min <sup>-1</sup>	125-250 min <sup>-1</sup>
Yükteki maksimum darbe sayısı .....	975-1950 min <sup>-1</sup>	975-1950 min <sup>-1</sup>
EPTA-Procedure 05/2009'a göre tek darbe kuvveti .....	20 J	20 J
Delme çapı beton .....	28-50 mm	28-50 mm
Beton, tuğla ve kireçli kum taşında tünel açıcı .....	50-80 mm	50-80 mm
Beton, tuğla ve kireçli kum taşında buat uçları .....	45-150 mm	45-150 mm
Ağırlığı ise EPTA-üretici 01/2003'e göre .....	11,8 kg	11,8 kg

#### Gürültü bilgileri

Ölçüm değerleri EN 60 745 e göre belirlenmektedir.

Aletin, frekansa bağımlı uluslararası ses basıncı seviyesi değerlendirme eğrisi A'ya göre tipik gürültü seviyesi:

Ses basıncı seviyesi (K = 3dB(A)) .....	100 dB (A)
Akustik kapasite seviyesi (K = 3dB(A)) .....	111 dB (A)

#### Koruyucu kulaklık kullanın!

#### Vibrasyon bilgileri

Toplam titreşim değeri (üç yönün vektör toplamı) EN 60745'e göre belirlenmektedir:

titreşim emisyon değeri a<sub>n</sub>:

Delme, beton: .....	12,5 m/s <sup>2</sup>	12,5 m/s <sup>2</sup>
Tolerans K = .....	2 m/s <sup>2</sup>	2 m/s <sup>2</sup>
Keskileme: .....	11 m/s <sup>2</sup>	11 m/s <sup>2</sup>
Tolerans K = .....	2 m/s <sup>2</sup>	2 m/s <sup>2</sup>

TEKNİK VERİLER	K900 K	K900 S
Üretim numarası .....	4427 82 01...	4427 79 01...
.....	4171 45 01...	4171 67 01...
.....	4171 50 01...	4171 71 01...
.....	4171 55 01...	4171 73 01...
.....	4171 53 01...	4171 73 01...
.....	...000001-999999	...000001-999999
Giriş gücü .....	1600 W	1600 W
Çıkış gücü .....	800 W	800 W
Boştaki devir sayısı.....	975-1950 min <sup>-1</sup>	975-1950 min <sup>-1</sup>
EPTA-Procedure 05/2009'a göre tek darbe kuvveti .....	20 J	20 J
Ağırlığı ise EPTA-üretici 01/2003'e göre .....	11,0 kg	11,0 kg

#### Gürültü bilgileri

Aletin A değerlendirmeli gürültü seviyesi tipik olarak şu

değerdedir: .....

Ölçme değeri 2005/88/AB hükümlerine göre kullanıcının

kulağına gelen ses olarak belirlenmiştir.

2005/88/AB: Ek VI'ya göre uygunluk değerlendirme yöntemi.

Yetkili merci:

VDE Testing and Certification Institute, Merianstr. 28,

63069 Offenbach, Almanya

Ölçülen gürültü emisyonu seviyesi .....

Garanti edilen gürültü emisyonu seviyesi .....

#### Koruyucu kulaklık kullanın!

#### Vibrasyon bilgileri

Toplam titreşim değeri (üç yönün vektör toplamı) EN 60745'e

göre belirlenmektedir:

titreşim emisyon değeri a<sub>n</sub>:

Keskileme: .....	11 m/s <sup>2</sup>	11 m/s <sup>2</sup>
Tolerans K = .....	2 m/s <sup>2</sup>	2 m/s <sup>2</sup>

#### UYARI

Bu talimatlarda belirtilen titreşim seviyesi, EN 60745 standardına uygun bir ölçme metodu ile ölçülmüştür ve elektrikli el aletleri birbirleriyle karşılaştırmak için kullanılabilir. Ölçüm sonuçları ayrıca titreşim yükünün geçici değerlendirilmesi için de uygundur.

Belirtilen titreşim seviyesi, elektrikli el aletinin genel uygulamaları için geçerlidir. Ancak elektrikli el aleti başka uygulamalar için, farklı eklenti parçalarıyla ya da yetersiz bakım koşullarında kullanılırsa, titreşim seviyesi farklılık gösterebilir. Bu durumda, titreşim yükü toplam çalışma zamanı zaman aralığı içerisinde belirgin ölçüde yükselebilir.

Titreşim yükünün tam bir değerlendirmesi için ayrıca cihazın kapalı olduğu süreler ve cihazın çalışır durumda olduğu, ancak gerçek kullanımında bulunmadığı süreler de dikkate alınmalıdır. Böylelikle, toplam çalışma zamanı aralığı boyunca meydana gelen titreşim yükü belirgin ölçüde azaltılabilir.

Kullanıcıyı titreşimlerin etkisinden korumak üzere, örneğin elektrikli el aletlerinin ve eklenti parçalarının bakımı, ellerin sıcak tutulması ve iş akışlarının organizasyonu gibi ek güvenlik tedbirleri belirleyiniz.

**⚠ UYARI! Bütün güvenlik notlarını ve talimatları okuyunuz.** Açıklanan uyarılara ve talimat hükümlerine uyulmadığı takdirde elektrik çarpmalarına, yangınlara ve/veya ağır yaralanmalara neden olunabilir. **Bütün uyarıları ve talimat hükümlerini ileride kullanmak üzere saklayın.**

#### GÜVENLİĞİNİZ İÇİN TALİMATLAR

**Koruyucu kulaklık kullanın. Çalışırken çıkan gürültü işitme kayıplarına neden olabilir.**

**Aletle birlikte teslim edilen ek tutamakları kullanın.** Aletin kontrolden çıkması kazalara neden olabilir.

**Kesme aletinin eğrilmiş elektrik kabloları veya kendi kablosuna isabet eden çalışmalar yapıırken cihazı izole edilmiş kollarından tutun.** Kesme aletinin içinden elektrik akımı geçen kablo ile temas etmesi durumunda elektrik akımı cihazın metal kısımlarına geçer ve elektrik çarpmasına sebebiyet verebilir.

Açık havadaki prizler hatalı akım koruma şalteri (FI, RCD, PRCD) ile donatılmış olmalıdır. Bu, elektrik tesisatınızdaki bir zorunluluktur. Lütfen aletimizi kullanırken bu hususa dikkat edin.

Aletle çalışırken daima koruyucu gözlük kullanın. Koruyucu iş eldivenleri, sağlam ve kaymaz ayakkabılar ve iş önlüğü kullanmanızı tavsiye ederiz.

Alet çalışır durumda iken talaş ve kırpıntıları temizlemeye çalışmayın.

Aletin kendinde bir çalışma yapmadan önce fişi prizden çekin.

Aleti sadece kapalı iken prize takın.

Bağlantı kablosunu aletten uzak tutun. Kablo daima aletin arkasında olmalıdır ve toplanmamalıdır.

Duvar, tavan ve zeminde delik açarken elektrik kablolarına, gaz ve su borularına dikkat edin.

Çalışma sırasında ortaya çıkan toz genellikle sağlığa zararlıdır ve bedeninize temas etmemelidir. Uygun bir koruyucu toz maskesi kullanın

#### KULLANIM

K950 K, K950 S: Bu kırıcı-delici taştaki darbeli delme ve kesme işlerinde çok yönlü olarak kullanılabilir.

K900 K, K900 S: Bu kırıcı, şantiyedeki zor kesme ve kırma işlerinde kullanılabilir.

Bu alet sadece belirttiği gibi ve usulüne uygun olarak kullanılabilir.

#### GE UYGUNLUK BEYANI

Tek sorumlu olarak "Teknik Veriler" bölümünde tarif edilen ürünün 2011/65/EU (RoHS), 2006/42/EC, 2004/108/EC, 2005/88/EC (K900 K, K900 S) sayılı direktifin ve aşağıdaki harmonize temel belgelerin bütün önemli hükümlerine uygun olduğunu beyan etmekteyiz:

EN 60745-1:2009 + A11:2010

EN 60745-2-6:2010

EN 55014-1:2006 + A1:2009 + A2:2011

EN 55014-2:1997 + A1:2001 + A2:2008

EN 61000-3-2:2006 + A1:2009 + A2:2009

EN 61000-3-3:2008

Winnenden, 2012-12-13

*Alexander Krug*

Alexander Krug  
Managing Director



Teknik evrakları hazırlamakla görevlendirilmiştir.

Techtronic Industries GmbH

Max-Eyth-Straße 10

71364 Winnenden

Germany

#### ŞEBEKE BAĞLANTISI

Aleti sadece tek fazlı alternatif akıma ve tip etiketi üzerinde belirtilen şebeke gerilimine bağlayın. Yapısı Koruma sınıfı II'ye girdiğinden alet koruyucu kontaklız prize de bağlanabilir.

#### BAKIM

Aletin havalandırma aralıklarının daima temiz tutun.

Önemli açıklama! Yıpranan kömür fırçalar bir müşteri servisinde değiştirilmelidir. Bu sayede aletin kullanım ömrü uzar ve alet daima çalışmaya hazır olur.

Sadece Milwaukee aksesuarı ve yedek parçası kullanın. Nasıl değiştirileceği açıklanmamış olan yapı parçalarını bir Milwaukee müşteri servisinde değiştirin (Garanti ve servis adresi broşürüne dikkat edin).

Gerektiğinde cihazın ayrıntılı çizimini, güç levhası üzerindeki makine modelini ve altı haneli rakamı belirterek müşteri servisinden veya doğrudan Techtronic Industries GmbH, Max-Eyth-Straße 10, 71364 Winnenden, Germany adresinden isteyebilirsiniz.

#### SEMBOLLER



Lütfen aleti çalıştırmadan önce kullanma kılavuzunu dikkatli biçimde okuyun.



Aletin kendinde bir çalışma yapmadan önce fişi prizden çekin.



Aksesuar - Teslimat kapsamında değildir, önerilen tamamlamalar aksesuar programında.



Elektrikli el aletlerini evdeki çöp kutusuna atmayınız! Kullanılmış elektrikli aletleri, elektrik ve elektronik eski cihazlar hakkındaki 2002/96/EC Avrupa yönergelerine göre ve bu yönergeler ulusal hukuk kurallarına göre uyarlanarak, ayrı olarak toplanmalı ve çevre şartlarına uygun bir şekilde tekrar değerlendirmeye gönderilmelidir.



Koruma sınıfı II, elektrik tepkisine karşı korumanın sadece baz izolasyonuna bağlı olmayan elektro alet, bilakis çift izolasyon veya takviye edilen izolasyonu gini ek koruyucu tedbirler uygulanır.



TECHNICKÁ DATA	K950 K	K950 S
Výrobní číslo.....	4171 25 01...	4171 57 01...
.....	4171 35 01...	4171 61 01...
.....	4171 43 01...	4171 63 01...
.....	...000001-999999	...000001-999999
Jmenovitý příkon .....	1700 W	1700 W
Odběr.....	850 W	850 W
Počet otáček při běhu naprázdno.....	125-250 min <sup>-1</sup>	125-250 min <sup>-1</sup>
Počet otáček při zatížení max .....	125-250 min <sup>-1</sup>	125-250 min <sup>-1</sup>
Počet úderů max .....	975-1950 min <sup>-1</sup>	975-1950 min <sup>-1</sup>
Intenzita jednotlivých úderů podle EPTA-Procedure 05/2009 .....	20 J	20 J
Vrtací ø v betonu .....	28-50 mm	28-50 mm
Dutá vrtací korunka do betonu, cihel a vápence .....	50-80 mm	50-80 mm
Tunelový vrták do betonu, cihel a vápence .....	45-150 mm	45-150 mm
Hmotnost podle prováděcího předpisu EPTA 01/2003.....	11,8 kg	11,8 kg

#### Informace o hluku

Naměřené hodnoty odpovídají EN 60 745.

V třídě A posuzovaná hladina hluku přístroje činí typicky:

Hladina akustického tlaku (K=3dB(A))..... 100 dB (A)

Hladina akustického výkonu (K=3dB(A))..... 111 dB (A)

#### Použijte chrániče sluchu !

#### Informace o vibracích

Celkové hodnoty vibrací (vektorový součet tří směrů) zjištěné ve smyslu EN 60745.

Hodnota vibračních emisí a<sub>n</sub>:

Vrtání v betonu:..... 12,5 m/s<sup>2</sup>..... 12,5 m/s<sup>2</sup>

Kolisavost K = ..... 2 m/s<sup>2</sup>..... 2 m/s<sup>2</sup>

Sekání:..... 11 m/s<sup>2</sup>..... 11 m/s<sup>2</sup>

Kolisavost K = ..... 2 m/s<sup>2</sup>..... 2 m/s<sup>2</sup>

TECHNICKÁ DATA	K900 K	K900 S
Výrobní číslo.....	4427 82 01...	4427 79 01...
.....	4171 45 01...	4171 67 01...
.....	4171 50 01...	4171 71 01...
.....	4171 55 01...	4171 73 01...
.....	4171 53 01...	4171 73 01...
.....	...000001-999999	...000001-999999
Jmenovitý příkon .....	1600 W	1600 W
Odběr.....	800 W	800 W
Počet otáček při běhu naprázdno.....	975-1950 min <sup>-1</sup>	975-1950 min <sup>-1</sup>
Intenzita jednotlivých úderů podle EPTA-Procedure 05/2009 .....	20 J	20 J
Hmotnost podle prováděcího předpisu EPTA 01/2003.....	11,0 kg	11,0 kg

#### Informace o hluku

Typická vážená ..... 94 dB (A) ..... 94 dB (A)

Naměřená hodnota odpovídá 2005/88/EC u ucha uživatele

2005/88/EC ; postup prohlášení o shodě podle přílohy VI.

Notifikovaná osoba :

VDE Prüf- und Zertifizierungsinstitut,

Merianstr. 28,

63069 Offenbach, Germany

Naměřená hladina akustického výkonu..... 102 dB (A) ..... 102 dB (A)

Zaručená hladina akustického výkonu ..... 105 dB (A) ..... 105 dB (A)

#### Použijte chrániče sluchu !

#### Informace o vibracích

Celkové hodnoty vibrací (vektorový součet tří směrů) zjištěné ve smyslu EN 60745.

Hodnota vibračních emisí a<sub>n</sub>:

Sekání:..... 11 m/s<sup>2</sup>..... 11 m/s<sup>2</sup>

Kolisavost K = ..... 2 m/s<sup>2</sup>..... 2 m/s<sup>2</sup>

#### VAROVÁN

Úroveň chvění uvedená v tomto návodu byla naměřena podle metody měření stanovené normou EN 60745 a může být použita pro porovnání elektrického nářadí. Hodí se také pro průběžný odhad zatížení chvěním.

Uvedená úroveň chvění představuje hlavní účely použití elektrického nářadí. Jestliže se ale elektrické nářadí používá pro jiné účely, s odlišnými nástroji nebo s nedostatečnou údržbou, může se úroveň chvění odlišovat. To může značně zvýšit zatížení chvěním během celé pracovní doby.

Pro přesný odhad zatížení chvěním se musí také zohlednit časy, během kterých je přístroj vypnutý nebo kdy je sice v chodu, ale skutečně se s ním nepracuje. To může zatížení chvěním během celé pracovní doby značně snížit.

Stanovte doplňková bezpečnostní opatření pro ochranu obsluhy před účinky chvění jako například: technická údržba elektrického nářadí a nástrojů, udržování teploty rukou, organizace pracovních procesů.

**⚠ UPOZORNĚNÍ! Přečtete si všechny bezpečnostní pokyny a návody.** Zanedbání při dodržování varovných upozornění a pokynů mohou mít za následek úder elektrickým proudem, požár a/nebo těžká poranění. **Všechna varovná upozornění a pokyny do budoucna uschovejte.**

#### SPECIÁLNÍ BEZPEČNOSTNÍ UPOZORNĚNÍ

**Používejte chrániče sluchu. Působením hluku může dojít k poškození sluchu.**

**Používejte doplňková madla dodávaná s přístrojem.** Nedostatečným držením by mohlo dojít ke zranění.

**Při provádění prací, při kterých nástroj může narazit na skryta elektrická vedení nebo na vlastní kabel, držte přístroj za izolované přidržovací plošky.** Kontakt fezného nástroje s vedením pod napětím může vést k přenosu napětí na kovové části přístroje a k úrazu elektrickým proudem.

Ve venkovním prostředí musí být zásuvky vybaveny proudovým chráničem (FI, RCD, PRCD). Je to vyžadováno instalačním předpisem pro toto el.zařízení. Dodržujte ho při používání tohoto nářadí, prosím.

Při práci se strojem neustále nosit ochranné brýle. Doporučuje se používat ochranné rukavice, pevnou protiskluzovou obuv a zástěru.

Pokud stroj běží, nesmí být odstraňovány třísky nebo odštěpky.

Před zahájením veškerých prací na stroji vytáhnout síťovou zástrčku ze zásuvky.

Stroj zapínat do zásuvky pouze když je vypnutý.

Neustále dbát na to, aby byl kabel pro připojení k elektrické síti mimo dosah stroje. Kabel vést vždy směrem dozadu od stroje.

Při vrtání do zdi, stropu nebo podlahy dávat pozor na elektrické kabely, plynová a vodovodní potrubí.

Prach vznikající při práci s tímto nářadím může být zdraví škodlivý. Proto by neměl přijít do styku s tělem. Používejte při práci vhodnou ochranou masku.

#### OBLAST VYUŽITÍ

K950 K, K950 S: Vrtací kladivo je univerzálně použitelné k vrtání s příklepem a sekání do kamene a betonu.

K900 K, K900 S: Kladivo je použitelné k sekání do kamene a betonu.

Toto zařízení lze používat jen pro uvedený účel.

#### CE-PROHLÁŠENÍ O SHODĚ

Výhradně na vlastní zodpovědnost prohlašujeme, že se výrobek popsáný v „Technických údajích“ shoduje se všemi relevantními předpisy směrnice 2011/65/EU (RoHS), 2006/42/ES, 2004/108/ES, 2005/88/ES (K900 K, K900 S) a s následujícími harmonizovanými normativními dokumenty:

EN 60745-1:2009 + A11:2010

EN 60745-2-6:2010

EN 55014-1:2006 + A1:2009 + A2:2011

EN 55014-2:1997 + A1:2001 + A2:2008

EN 61000-3-2:2006 + A1:2009 + A2:2009

EN 61000-3-3:2008

Winnenden, 2012-12-13

*Alexander Krug*

Alexander Krug  
Managing Director



Zplnomocněn k sestavování technických podkladů.

Techtronic Industries GmbH

Max-Eyth-Straße 10

71364 Winnenden

Germany

#### PŘIPOJENÍ NA SÍŤ

Připojit pouze do jednofázové střídavé sítě o napětí uvedeném na štítku. Lze připojit i do zásuvky bez ochranného kontaktu neboť spotřebič je třídy II.

#### ÚDRŽBA

Větrací štěrbyby nářadí udržujeme stále čisté.

Při obroušení uhlíků je nutná jejich výměna v odborném servisu. Zaručuje to i prodloužení životnosti stroje a jeho spolehlivost v provozu.

Používá výhradně příslušenství Milwaukee a náhradní díly Milwaukee. Díly jejichž výměny nebyla popsána, nechte vyměnit v autorizovaném servisu (viz: Záruky / Seznam servisních míst)

V případě potřeby si můžete v servisním centru pro zákazníky nebo přímo od firmy Techtronic Industries GmbH, Max-Eyth-Straße 10, 71364 Winnenden, Německo vyžádat schematický náčrt jednotlivých dílů přístroje, když uvedete typ přístroje a šestimístné číslo na výkonovém štítku.

#### SYMBOLY



Před spuštěním stroje si pečlivě přečtěte návod k používání.



Před zahájením veškerých prací na vrtacím kladivu vytáhnout síťovou zástrčku ze zásuvky.



Příslušenství není součástí dodávky, viz program příslušenství.



Elektrické nářadí nevyhazujte do komunálního odpadu! Podle evropské směrnice 2002/96/EC o nakládání s použitými elektrickými a elektronickými zařízeními a odpovídajících ustanovení právních předpisů jednotlivých zemí se použitá elektrická nářadí musí sbírat odděleně od ostatního odpadu a podrobit ekologicky šetrnému recyklování.



Třída ochrany II, elektrické nářadí, u kterého ochrana proti úrazu elektrickým proudem nezávisí pouze na základní izolaci, nýbrž i na přijetí dalších ochranných opatření, jako provedení s dvojitou nebo zesílenou izolací.



TECHNICKÉ ÚDAJE	K950 K	K950 S
Výrobné číslo.....	4171 25 01.....	4171 57 01.....
.....	4171 35 01.....	4171 61 01.....
.....	4171 43 01.....	4171 63 01.....
.....	...000001-999999	...000001-999999
Menovitý príkon.....	1700 W.....	1700 W.....
Výkon.....	850 W.....	850 W.....
Otáčky naprázdno.....	125-250 min <sup>-1</sup> .....	125-250 min <sup>-1</sup> .....
Max. otáčky pri záťaži.....	125-250 min <sup>-1</sup> .....	125-250 min <sup>-1</sup> .....
Max. počet úderov pri záťaži.....	975-1950 min <sup>-1</sup> .....	975-1950 min <sup>-1</sup> .....
Intenzita jednotlivých príklepov podľa EPTA Procedure 05/2009.....	20 J.....	20 J.....
Priemer vrtu do betónu.....	28-50 mm.....	28-50 mm.....
Tunelový vrták do betónu, tehly a vápencového pieskovca.....	50-80 mm.....	50-80 mm.....
Jadrová vŕtacia hlavica do betónu, tehly a vápencového pieskovca.....	45-150 mm.....	45-150 mm.....
Hmotnosť podľa vykonávacieho predpisu EPTA 01/2003.....	11,8 kg.....	11,8 kg.....

#### Informácia o hluku

Namerané hodnoty určené v súlade s EN 60 745.

V triede A posudzovaná hladina hluku prístroja činí typicky:

Hladina akustického tlaku (K=3dB(A)).....	100 dB (A)
Hladina akustického výkonu (K=3dB(A)).....	111 dB (A)

#### Používajte ochranu sluchu!

#### Informácie o vibráciách

Celkové hodnoty vibrácií (vektorový súčet troch smerov)

zistené v zmysle EN 60745.

Hodnota vibračných emisií a<sub>v</sub>:

Vŕtanie do betónu:.....	12,5 m/s <sup>2</sup> .....	12,5 m/s <sup>2</sup> .....
Kolisavosť K =.....	2 m/s <sup>2</sup> .....	2 m/s <sup>2</sup> .....
Osekávanie:.....	11 m/s <sup>2</sup> .....	11 m/s <sup>2</sup> .....
Kolisavosť K =.....	2 m/s <sup>2</sup> .....	2 m/s <sup>2</sup> .....

TECHNICKÉ ÚDAJE	K900 K	K900 S
Výrobné číslo.....	4427 82 01.....	4427 79 01.....
.....	4171 45 01.....	4171 67 01.....
.....	4171 50 01.....	4171 71 01.....
.....	4171 55 01.....	4171 73 01.....
.....	4171 53 01.....	.....
.....	...000001-999999	...000001-999999
Menovitý príkon.....	1600 W.....	1600 W.....
Výkon.....	800 W.....	800 W.....
Otáčky naprázdno.....	975-1950 min <sup>-1</sup> .....	975-1950 min <sup>-1</sup> .....
Intenzita jednotlivých príklepov podľa EPTA Procedure 05/2009.....	20 J.....	20 J.....
Hmotnosť podľa vykonávacieho predpisu EPTA 01/2003.....	11,0 kg.....	11,0 kg.....

#### Informácia o hluku

A-ohodnotená hladina akustického

tlaku prístroja činí.....94 dB (A).....94 dB (A)

Nameraná hodnota určená v súlade s 2005/88/ES pri uchu

užívateľa.

2005/88/ES: Postup hodnotenia konformity podľa prílohy VI.

Označený orgán: VDE Prüf- und Zertifizierungsinstitut

(Skúšobný a certifikačný ústav), Merianstr. 28,

63069 Offenbach, Nemecko

Nameraná hladina akustického výkonu.....102 dB (A).....102 dB (A)

Garantovaná hladina akustického výkonu.....105 dB (A).....105 dB (A)

#### Používajte ochranu sluchu!

#### Informácie o vibráciách

Celkové hodnoty vibrácií (vektorový súčet troch smerov)

zistené v zmysle EN 60745.

Hodnota vibračných emisií a<sub>v</sub>:

Osekávanie:.....	11 m/s <sup>2</sup> .....	11 m/s <sup>2</sup> .....
Kolisavosť K =.....	2 m/s <sup>2</sup> .....	2 m/s <sup>2</sup> .....

**POZOR**  
Úroveň vibrácií uvedená v týchto pokynoch bola nameraná meracou metódou, ktorú stanovuje norma EN 60745 a je možné ju použiť na vzájomné porovnanie elektrického náradia. Hodí sa aj na predbežné posúdenie kmitavého namáhania.

Uvedená úroveň vibrácií reprezentuje hlavné aplikácie elektrického náradia. Ak sa však elektrické náradie používa pre iné aplikácie, s odlišnými vloženými nástrojmi alebo s nedostatočnou údržbou, môže sa úroveň vibrácií líšiť. Toto môže kmitavé namáhanie v priebehu celej pracovnej doby podstatne zvýšiť.

Pre presný odhad kmitavého namáhania by sa mali tiež zohľadniť doby, v ktorých je náradie vypnuté alebo je síce v chode, ale v skutočnosti sa nepoužíva. Toto môže kmitavé namáhanie v priebehu celej pracovnej doby zreteľne redukovať.

Stanovte dodatočné bezpečnostné opatrenia pre ochranu obsluhy pred účinkami vibrácií, ako napríklad: údržba elektrického náradia a vložených nástrojov, udržiavanie teploty rúk, organizácia pracovných postupov.

**⚠ UPOZORNENIE! Prečítajte si všetky bezpečnostné pokyny a návody.** Zanedbanie dodržiavania Výstražných upozornení a pokynov uvedených v nasledujúcom texte môže mať za následok zásah elektrickým prúdom, spôsobiť požiar a/alebo ťažké poranenie.  
**Tieto výstražné upozornenia a bezpečnostné pokyny starostlivo uschovajte na budúce použitie.**

#### Špeciálne bezpečnostné pokyny

**Používajte ochranu sluchu. Pôsobenie hluku môže spôsobiť stratu sluchu.**

**Používajte prídavné rukoväte dodané spolu s prístrojom.** Strata kontroly nad strojom môže viesť k zraneniu.

**Pri realizovaní prác, pri ktorých nástroj môže naraziť na skryté elektrické vedenia alebo na vlastný kábel, držte prístroj za izolované pridržovacie plošky.** Kontakt rezného nástroja s vedením pod napätím môže viesť k prenosu napätia na kovové časti prístroja a k úrazu elektrickým prúdom.

Zásuvky vo vonkajšom prostredí musia byť vybavené ochranným spínačom proti prudovým nárazom (FI, RCD, PRCD). Toto je inštalčný predpis na Vaše elektrické zariadenie. Venujte prosím tomuto pozornosť pri používaní nášho prístroja.

Pri práci so strojom vždy noste ochranné okuliare. Odporúčame ochranné rukavice, pevnú protišmykovú obuv a zásteru.

Triesky alebo úlomky sa nesmú odstraňovať za chodu stroja.

Pred každou prácou na stroji vytiahnite zástrčku zo zásuvky.

Len vypnutý stroj pripájajte do zásuvky.

Pripojovací kábel držte mimo pracovnej oblasti stroja. Kábel smerujte vždy smerom dozadu od stroja.

Pri práci v stene, strope alebo v podlahe dávajte pozor na elektrické káble, plynové a vodovodné potrubia.

Prach vznikajúci pri práci môže byť škodlivý zdraviu. Pri práci nosiť vhodnú ochrannú masku, aby sa nedostal do ľudského organizmu.

#### Použitie podľa predpisov

K950 K, K950 S: Vŕtacie kladivo je univerzálne použiteľné na sekanie a osekávanie kameňa a betónu.

K900 K, K900 S: Kladivo je určené na osekávanie kameňa a betónu

Tento prístroj sa smie používať len v súlade s uvedenými predpismi.

#### CE - VYHLÁSENIE KONFORMITY

Výhradne na vlastnú zodpovednosť vyhlasujeme, že výrobok popísaný v „Technických údajoch“ sa zhoduje so všetkými relevantnými predpismi smernice 2011/65/EU (RoHS), 2006/42/EC, 2004/108/EC, 2005/88/EC (K900 K, K900 S) a nasledujúcimi harmonizujúcimi normatívnymi dokumentmi:

EN 60745-1:2009 + A11:2010

EN 60745-2-6:2010

EN 55014-1:2006 + A1:2009 + A2:2011

EN 55014-2:1997 + A1:2001 + A2:2008

EN 61000-3-2:2006 + A1:2009 + A2:2009

EN 61000-3-3:2008

Winnenden, 2012-12-13

*Alexander Krug*

Alexander Krug  
Managing Director



Splnomocnený zostaviť technické podklady.

Techtronic Industries GmbH

Max-Eyth-Straße 10

71364 Winnenden

Germany

#### Sieťová prípojka

Pripájať len na jednofázový striedavý prúd a na sieťové napätie uvedené na štítku. Pripojenie je možné aj do zásuviek bez ochranného kontaktu, pretože ide o konštrukciu ochrannej triedy II.

#### Údržba

Vetracie otvory udržiavať stále v čistote.

Pri opotrebovaných uhlíkových kefách by sa mala vykonať okrem výmeny uhlíkových kef v zákazníckom centre aj prehliadka prístroja. Toto predlžuje životnosť prístroja a zaručuje stálu funkčnosť.

Používať len Milwaukee príslušenstvo a Milwaukee náhradné diely. Súčiastky bez nároku na výmenu treba dať vymeniť v jednom z Milwaukee zákazníckych centier (viď brožúru Záruka/ Adresy zákazníckych centier).

V prípade potreby si môžete v servisnom centre pre zákazníkov alebo priamo od firmy Techtronic Industries GmbH, Max-Eyth-Straße 10, 71364 Winnenden, Nemecko, vyžiadať schematický náčrt jednotlivých dielov prístroja pri uvedení typu prístroja a šesťmiestneho čísla na výkonovom štítku.

#### Symbole



Pred prvým použitím prístroja si pozorne prečítajte návod na obsluhu.



Pred každou prácou na stroji vytiahnuť zástrčku zo zásuvky.



Príslušenstvo - nie je súčasťou štandardnej výbavy, odporúčané doplnenie z programu príslušenstva.



Elektrické náradie nevyhadzujte do komunálneho odpadu! Podľa európskej smernice 2002/96/ES o nakladaní s použitými elektrickými a elektronickými zariadeniami a zodpovedajúcich ustanovení právnych predpisov jednotlivých krajín sa použité elektrické náradie musí zbierať oddelene od ostatného odpadu a podrobiť ekologicky šetrnej recyklácii.



Trieda ochrany II, elektrické náradie, u ktorého ochrana proti úrazu elektrickým prúdom nezávisí len na základnej izolácii, ale aj na prijatí ďalších ochranných opatrení, ako je vyhotovenie s dvojitou alebo zosilnenou izoláciou.

DANE TECHNICZNE	K950 K	K950 S
Numer produkcyjny.....	4171 25 01.....	4171 57 01.....
.....	4171 35 01.....	4171 61 01.....
.....	4171 43 01.....	4171 63 01.....
.....	...000001-999999	...000001-999999
Znamionowa moc wyjściowa.....	1700 W.....	1700 W.....
Moc wyjściowa.....	850 W.....	850 W.....
Prędkość bez obciążenia.....	125-250 min <sup>-1</sup> .....	125-250 min <sup>-1</sup> .....
Maksymalna prędkość obrotowa pod obciążeniem.....	125-250 min <sup>-1</sup> .....	125-250 min <sup>-1</sup> .....
Częstotliwość uderu przy obciążeniu maks.....	975-1950 min <sup>-1</sup> .....	975-1950 min <sup>-1</sup> .....
Energia uderu zgodna z EPTAProcedure 05/2009.....	20 J.....	20 J.....
Zdolność wiercenia w betonie.....	28-50 mm.....	28-50 mm.....
Wiertło rurowe do betonu, cegiel i kamienia wapiennego.....	50-80 mm.....	50-80 mm.....
Koronka rdzeniowa do betonu, cegiel i kamienia wapiennego.....	45-150 mm.....	45-150 mm.....
Ciężar wg procedury EPTA 01/2003.....	11,8 kg.....	11,8 kg.....

#### Informacja dotycząca szumów

Zmierzone wartości wyznaczone zgodnie z normą EN 60 745. Poziom szumów urządzenia oszacowany jako A wynosi typowo:

Poziom ciśnienia akustycznego (K=3dB(A)).....	100 dB (A)
Poziom mocy akustycznej (K=3dB(A)).....	111 dB (A)

#### Należy używać ochraniaczy uszu!

#### Informacje dotyczące wibracji

Wartości łączne drgań (suma wektorowa trzech kierunków) wyznaczone zgodnie z normą EN 60745

Wartość emisji drgań a <sub>v</sub> .....	12,5 m/s <sup>2</sup> .....	12,5 m/s <sup>2</sup> .....
Wiercenie w betonie:.....	2 m/s <sup>2</sup> .....	2 m/s <sup>2</sup> .....
Niepewność K =.....	11 m/s <sup>2</sup> .....	11 m/s <sup>2</sup> .....
Dłutowanie:.....	2 m/s <sup>2</sup> .....	2 m/s <sup>2</sup> .....
Niepewność K =.....		

DANE TECHNICZNE	K900 K	K900 S
Numer produkcyjny.....	4427 82 01.....	4427 79 01.....
.....	4171 45 01.....	4171 67 01.....
.....	4171 50 01.....	4171 71 01.....
.....	4171 55 01.....	4171 73 01.....
.....	4171 53 01.....	
.....	...000001-999999	...000001-999999
Znamionowa moc wyjściowa.....	1600 W.....	1600 W.....
Moc wyjściowa.....	800 W.....	800 W.....
Prędkość bez obciążenia.....	975-1950 min <sup>-1</sup> .....	975-1950 min <sup>-1</sup> .....
Energia uderu zgodna z EPTAProcedure 05/2009.....	20 J.....	20 J.....
Ciężar wg procedury EPTA 01/2003.....	11,0 kg.....	11,0 kg.....

#### Informacja dotycząca szumów

Typowy poziom ciśnienia akustycznego mierzony wg krzywej A:.....

.....	94 dB (A).....	94 dB (A).....
-------	----------------	----------------

Zmierzone wartości wyznaczone zgodnie z 2005/88/WE przy uchu użytkownika.

2005/88/WE: Procedura oceny zgodności według Załącznika VI. Organ powiadamiany:

VDE Testing and Certification Institute, Merianstr. 28, 63069 Offenbach, Niemcy

Zmierzony poziom mocy akustycznej.....	102 dB (A).....	102 dB (A).....
Gwarantowany poziom mocy akustycznej.....	105 dB (A).....	105 dB (A).....

#### Należy używać ochraniaczy uszu!

#### Informacje dotyczące wibracji

Wartości łączne drgań (suma wektorowa trzech kierunków) wyznaczone zgodnie z normą EN 60745

Wartość emisji drgań a <sub>v</sub> .....	11 m/s <sup>2</sup> .....	11 m/s <sup>2</sup> .....
Niepewność K =.....	2 m/s <sup>2</sup> .....	2 m/s <sup>2</sup> .....

#### OSTRZEŻENIE

Podany w niniejszych instrukcjach poziom drgań został zmierzony za pomocą metody pomiarowej zgodnej z normą EN 60745 i może być użyty do porównania ze sobą elektronarzędzi. Nadaje się on również do tymczasowej oceny obciążenia wibracyjnego.

Podany poziom drgań reprezentuje główne zastosowania elektronarzędzia. Jeśli jednakże elektronarzędzie użyte zostanie do innych celów z innymi narzędziami roboczymi lub nie jest dostatecznie konserwowane, wtedy poziom drgań może wykazywać odchylenia. Może to wyraźnie zwiększyć obciążenie wibracjami przez cały okres pracy.

Dla dokładnego określenia obciążenia wibracjami należy uwzględnić również czasy, w których urządzenie jest wyłączone względnie jest włączone, lecz w rzeczywistości nie pracuje. Może to spowodować wyraźną redukcję obciążenia wibracyjnego w całym okresie pracy.

Należy wprowadzić dodatkowe środki zapobiegawcze celem ochrony obsługującego przed oddziaływaniem drgań, jak na przykład: konserwacja narzędzi roboczych i elektronarzędzi, nagrzanie rąk, organizacja przebiegu pracy.

**⚠ OSTRZEŻENIE! Należy przeczytać wszystkie wskazówki dotyczące bezpieczeństwa i instrukcje.** Błędy w przestrzeganiu poniższych wskazówek mogą spowodować porażenie prądem, pożar i/lub ciężkie obrażenia ciała.  
**Należy starannie przechowywać wszystkie przepisy i wskazówki bezpieczeństwa dla dalszego zastosowania.**

#### INSTRUKCJE DOTYCZĄCE BEZPIECZEŃSTWA

**Stosować środki ochrony słuchu! Narażenie na hałas może spowodować utratę słuchu.**

**Stosować uchwyty pomocnicze dostarczone z narzędziem.** Utrata kontroli może spowodować obrażenia.

**Trzymaj urządzenie za izolowane powierzchnie chwytne gdy wykonujesz roboty, w trakcie których narzędzie skrawające może natrafić na ukryte przewody prądowe lub na własny kabel.** Styczność narzędzia z będącym pod napięciem przewodem może spowodować podłączenie części metalowych urządzenia do napięcia i prowadzić do porażenia prądem elektrycznym.

Urządzenia pracujące w wielu różnych miejscach, w tym poza pomieszczeniami zamkniętymi, należy podłączać poprzez ochronny (FI, RCD, PRCD) wyłącznik udarowy.

Podczas pracy należy zawsze nosić okulary ochronne. Zalecane jest także noszenie rękawic, mocnego, nie ślizgającego się obuwia oraz ubrania roboczego.

Podczas pracy elektronarzędzia nie wolno usuwać trocin ani drzazg.

Przed przystąpieniem do jakichkolwiek prac związanych z elektronarzędziem należy wyjąć wtyczkę z gniazdka.

Elektronarzędzie można podłączać do gniazdka sieciowego tylko wtedy, kiedy jest wyłączone.

Kabel zasilający nie może znajdować się w obszarze roboczym elektronarzędzia. Powinien on się zawsze znajdować się za operatorem.

Podczas pracy przy ścianach, sufitach i podłodze należy uważać na kable elektryczne, przewody gazowe i wodociągowe.

Kurz powstający przy pracy z tym elektronarzędziem może być szkodliwy dla zdrowia, w związku z tym nie powinien dotrzeć do ciała. Nosić odpowiednią maskę przeciwpyłową.

#### WARUNKI UŻYTKOWANIA

K950 K, K950 S: Młot pneumatyczny do uniwersalnych zastosowań przy wierceniu udarowym i dłutowaniu i betonu.

K900 K, K900 S: Młot do dłutowania i prac wyburzeniowych  
Produkt można użytkować wyłącznie zgodnie z jego normalnym przeznaczeniem.

#### DEKLARACJA ZGODNOŚCI CE

Oświadczamy na naszą wyłączną odpowiedzialność, że produkt opisany w punkcie "Dane techniczne" jest zgodny ze wszystkimi istotnymi przepisami Dyrektywy 2011/65/EU (RoHS), 2006/42/WE, 2004/108/WE, 2005/88/WE (K900 K, K900 S) oraz z następującymi zharmonizowanymi dokumentami normatywnymi:

EN 60745-1:2009 + A11:2010  
EN 60745-2-6:2010  
EN 55014-1:2006 + A1:2009 + A2:2011  
EN 55014-2:1997 + A1:2001 + A2:2008  
EN 61000-3-2:2006 + A1:2009 + A2:2009  
EN 61000-3-3:2008

Winnenden, 2012-12-13

*Alexander Krug*

Alexander Krug  
Managing Director



Upelnomocniony do zestawienia danych technicznych

Techtronic Industries GmbH  
Max-Eyth-Straße 10  
71364 Winnenden  
Germany

#### PODŁĄCZENIE DO SIECI

Podłączać tylko do źródła zasilania prądem zmiennym jednofazowym i wyłącznie o napięciu podanym na tabliczce znamionowej. Możliwe jest również podłączenie do gniazdka bez uzziemienia, ponieważ konstrukcja odpowiada II klasie bezpieczeństwa.

#### UTRZYMANIE I KONSERWACJA

Otwory wentylacyjne elektronarzędzia muszą być zawsze drożne.

Ważne! W przypadku zużycia szczotek węglowych po ich wymianie elektronarzędzie należy przekazać do serwisu obsługi posprzedażnego. Zapewni to długi okres użytkowania i maksymalne osiągi elektronarzędzia.

Używać tylko i wyłącznie wyposażenia dodatkowego Milwaukee i części zamiennych Milwaukee. Gdyby trzeba było wymienić części, które nie zostały opisane, należy skontaktować się z przedstawicielem serwisu Milwaukee (patrz wykaz adresów punktów usługowych/gwarancyjnych).

W razie potrzeby można zamówić rysunek urządzenia w rozłożeniu na części podając typ maszyny oraz sześciopozycyjny numer na tabliczce znamionowej w Punkcie Obsługi Klienta lub bezpośrednio w firmie Techtronic Industries GmbH, Max-Eyth-Straße 10, 71364 Winnenden, Germany.

#### SYMBOLY



Przed uruchomieniem elektronarzędzia zapoznać się uważnie z treścią instrukcji.



Przed przystąpieniem do jakichkolwiek prac przy elektronarzędziu należy wyjąć wtyczkę z kontaktu.



Wyposażenie dodatkowe dostępne osobno.



Nie wyrzucaj elektronarzędzi wraz z odpadami z gospodarstwa domowego! Zgodnie z Europejską Dyrektywą 2002/96/WE w sprawie zużytego sprzętu elektrotechnicznego i elektronicznego oraz dostosowaniem jej do prawa krajowego, zużyte elektronarzędzia należy posegregować i zutylizować w sposób przyjazny dla środowiska.



Klasa ochrony II, elektronarzędzie, w którym ochrona przed porażeniem elektrycznym nie zależy tylko od izolacji podstawowej, lecz w którym zastosowane są dodatkowe środki ochrony, takie jak podwójna lub wzmocniona izolacja.

MŰSZAKI ADATOK	K950 K	K950 S
Gyártási szám.....	4171 25 01...	4171 57 01...
.....	4171 35 01...	4171 61 01...
.....	4171 43 01.....	4171 63 01.....
.....	...000001-999999	...000001-999999
Névleges teljesítményfelvétel.....	1700 W.....	1700 W.....
Leadott teljesítmény.....	850 W.....	850 W.....
Üresjárat fordulatszám.....	125-250 min <sup>-1</sup> .....	125-250 min <sup>-1</sup> .....
Fordulatszám terhelés alatt max. ....	125-250 min <sup>-1</sup> .....	125-250 min <sup>-1</sup> .....
Ütésszám terhelés alatt max. ....	975-1950 min <sup>-1</sup> .....	975-1950 min <sup>-1</sup> .....
Egyedi ütőerő az „EPTAProcedure 05/2009” (2009/05 EPTA-eljárás) szerint.....	20 J.....	20 J.....
Furat- $\emptyset$ betonba.....	28-50 mm.....	28-50 mm.....
Áttörő fúró betonhoz, téglához és mészkőhöz.....	50-80 mm.....	50-80 mm.....
Fúrókorona betonhoz, téglához és mészkőhöz.....	45-150 mm.....	45-150 mm.....
Súly a 01/2003 EPTA-eljárás szerint.....	11,8 kg.....	11,8 kg.....

#### Zajinformáció

A közölt értékek megfelelnek az EN 60 745 szabványnak.

A készülék munkahelyi zajszintje tipikusan:

Hangnyomás szint (K = 3 dB(A))..... 100 dB (A)

Hangteljesítmény szint (K = 3 dB(A))..... 111 dB (A)

#### Hallásvédő eszköz használata ajánlott!

#### Vibráció-információ

Összesített rezgésértékek (három irány vektoriális összege)

az EN 60745-nek megfelelően meghatározva:

a, rezgésemisszió érték:

Ütvefúráshoz betonba:..... 12,5 m/s<sup>2</sup>..... 12,5 m/s<sup>2</sup>

K bizonytalanság = ..... 2 m/s<sup>2</sup>..... 2 m/s<sup>2</sup>

Vésés:..... 11 m/s<sup>2</sup>..... 11 m/s<sup>2</sup>

K bizonytalanság = ..... 2 m/s<sup>2</sup>..... 2 m/s<sup>2</sup>

MŰSZAKI ADATOK	K900 K	K900 S
Gyártási szám.....	4427 82 01.....	4427 79 01.....
.....	4171 45 01.....	4171 67 01.....
.....	4171 50 01.....	4171 71 01.....
.....	4171 55 01.....	4171 73 01.....
.....	4171 53 01.....	.....
.....	...000001-999999	...000001-999999
Névleges teljesítményfelvétel.....	1600 W.....	1600 W.....
Leadott teljesítmény.....	800 W.....	800 W.....
Üresjárat fordulatszám.....	975-1950 min <sup>-1</sup> .....	975-1950 min <sup>-1</sup> .....
Egyedi ütőerő az „EPTAProcedure 05/2009” (2009/05 EPTA-eljárás) szerint.....	20 J.....	20 J.....
Súly a 01/2003 EPTA-eljárás szerint.....	11,0 kg.....	11,0 kg.....

#### Zajinformáció

Szabvány szerinti A-értékelésű hangszint:..... 94 dB (A)..... 94 dB (A)

Paraméterek meghatározása a 2005/88/EK szerint a felhasználó fülénél.

2005/88/EK: Megfelelés meghatározása a VI. Melléklet szerint. Megjelölt intézet:

VDE Testing and Certification Institute, Merianstr. 28,

63069 Offenbach, Németország

Mért hangteljesítményszint..... 102 dB (A)..... 102 dB (A)

Szavatolt hangteljesítményszint..... 105 dB (A)..... 105 dB (A)

#### Hallásvédő eszköz használata ajánlott!

#### Vibráció-információ

Összesített rezgésértékek (három irány vektoriális összege)

az EN 60745-nek megfelelően meghatározva:

a, rezgésemisszió érték:

Vésés:..... 11 m/s<sup>2</sup>..... 11 m/s<sup>2</sup>

K bizonytalanság = ..... 2 m/s<sup>2</sup>..... 2 m/s<sup>2</sup>

#### FIGYELMEZTETÉS

A jelen utasításokban megadott rezgésszint értéke az EN 60745-ben szabályozott mérési eljárásnak megfelelően került lemérésre, és használható elektromos szerszámokkal történő összehasonlításhoz. Az érték alkalmas a rezgésterhelés előzetes megbecslésére is.

A megadott rezgésszint-érték az elektromos szerszám legfőbb alkalmazásait reprezentálja. Ha az elektromos szerszámot azonban más alkalmazásokhoz, eltérő használt szerszámokkal vagy nem elegendő karbantartással használják, a rezgésszint értéke eltérő lehet. Ez jelentősen megnövelheti a rezgésterhelést a munkavégzés teljes időtartama alatt.

A rezgésterhelés pontos megbecsléséhez azokat az időket is figyelembe kell venni, melyekben a készülék lekapcsolódik, vagy ugyan működik, azonban ténylegesen nincs használatban. Ez jelentősen csökkentheti a rezgésterhelést a munkavégzés teljes időtartama alatt.

Határozzon meg további biztonsági intézkedéseket a kezelő védelmére a rezgések hatása ellen, például: az elektromos és a használt szerszámok karbantartásával, a kezek melegen tartásával, a munkafolyamatok megszervezésével.

**⚠ FIGYELMEZTETÉS! Olvasson el minden biztonsági útmutatót és utasítást.** A következőkben leírt előírások betartásának elmulasztása áramütésekhez, tűzhez és/vagy súlyos testi sérülésekhez vezethet. **Kérjük a későbbi használatra gondosan őrizze meg ezeket az előírásokat.**

#### KÜLÖNLEGES BIZTONSÁGI TUDNIVALÓK

**Viseljen hallásvédőt. A zajhatás a hallás elvesztését eredményezheti.**

**Használja a készülékkel együtt szállított kézfogantyúkat.** A készülék fölötti ellenőrzés elvesztése sérüléseket okozhat.

**A készüléket a szigetelt markolatfelületeket fogva tartsa, ha olyan munkálatokat végez, melyeknél a vágószerszám rejtett elektromos vezetékekbe vagy saját vezetékébe ütközhet.** A vágószerszám feszültségvezető vezetékkel való érintkezésekor a készülék fém részei is feszültség alá kerülhetnek, és elektromos áramütés következhet be.

Szabadban a dugaljat hibaáram-védőkapcsolóval kell ellátni. Az elektromos készülékek üzembehelyezési útmutatása ezt kötelezően előírja (FI, RCD, PRCD). Ügyeljen erre az elektromos kéziszerszámok használatakor is.

Munkavégzés közben ajánlatos védőszemüveget viselni. Védőkesztyű, zárt és csúszásmentes cipő, valamint védőkötény használata szintén javasolt.

A munka közben keletkezett forgácsokat, szilánkokat, törmeléket, stb. csak a készülék teljes leállása után szabad a munkaterületről eltávolítani.

Bármilyen jellegű karbantartás vagy javítás előtt a készüléket áramtalanítani kell.

A készüléket csak kikapcsolt állapotban szabad ismét áram alá helyezni.

Munka közben a hálózati csatlakozókábelt a sérülés elkerülése érdekében a munkaterületől, illetve a készüléktől távol kell tartani.

Falban, földemben, aljzatban történő fúrásnál fokozottan ügyelni kell az elektromos-, víz- és gázvezetésekre.

A munka során keletkező por gyakran egészségre káros, ezért ne kerüljön a szervezetbe. Hordjon e célra alkalmas porvédőmaszkot.

#### RENDELTELTÉSSZERŰ HASZNÁLAT

K950 K, K950 S: A fűrókalapács általánosan használható útvefúráshoz, kőzetekbe történő véséshez és betonban.

K900 K, K900 S: A bontókalapács használható kőzetekbe történő véséshez és betonban.

A készüléket kizárólag az alábbiakban leírtaknak megfelelően szabad használni.

#### CE-AZONOSSÁGI NYILATKOZAT

Egyedüli felelősséggel kijelentjük, hogy a „Műszaki Adatok” alatt leírt termék a 2011/65/EU (RoHS), 2006/42/EK, 2004/108/EK, 2005/88/EK (K900 K, K900 S) irányelvek minden releváns előírásának, ill. az alábbi harmonizált normatív dokumentumoknak megfelel:

EN 60745-1:2009 + A11:2010

EN 60745-2-6:2010

EN 55014-1:2006 + A1:2009 + A2:2011

EN 55014-2:1997 + A1:2001 + A2:2008

EN 61000-3-2:2006 + A1:2009 + A2:2009

EN 61000-3-3:2008

Winnenden, 2012-12-13

Alexander Krug

Managing Director

Műszaki dokumentáció összeállításra felhatalmazva

Technronic Industries GmbH

Max-Eyth-Straße 10

71364 Winnenden

Germany



#### HÁLÓZATI CSATLAKOZTATÁS

A készüléket csak egyfázisú váltóáramra és a teljesítménytáblán megadott hálózati feszültségre csatlakoztassa. A csatlakoztatás védőérintkező nélküli dugaszolóaljzatokra is lehetséges, mivel a készülék felépítése II. védettségi osztályú.

#### KARBANTARTÁS

A készülék szellőzőnyílásait mindig tisztán kell tartani.

Az elhasználdott szénkeféket az illetékes márkaszervizzel haladéktalanul kell kicseréltetni, így jelentősen megnövelhető a készülék élettartama és garantált a folyamatos üzemkész állapot.

Csak Milwaukee tartozékokat és Milwaukee pótalkatrészeket szabad használni. Az olyan elemeket, melyek cseréje nincs ismertette, cseréltesse ki Milwaukee szervizzel (lásd Garancia/Ügyfélszolgálat címei kiadványt).

Igény esetén a készülékről robbantott rajz kérhető a géptípus és a teljesítménycímként található hatjegyű szám megadásával az Ön vevőszolgálatánál, vagy közvetlenül a Technronic Industries GmbH-től a Max-Eyth-Straße 10, 71364 Winnenden, Németország címen.

#### SZIMBÓLUMOK



Kérjük alaposan olvassa el a tájékoztatót mielőtt a gépet használja.



Karbantartás, javítás, tisztítás, stb. előtt előtt a készüléket áramtalanítani kell.



Azokat a tartozékokat, amelyek gyárilag nincsenek a készülékhez mellékelve, külön lehet megrendelni.



Az elektromos kéziszerszámokat ne dobja a háztartási szeméttbe! A használt villamos és elektronikai készülékekről szóló 2002/96/EK irányelv és annak a nemzeti jogba való átültetése szerint az elhasznált elektromos kéziszerszámokat külön kell gyűjteni, és környezetbarát módon újra kell hasznosítani.



II-es védelmi osztály, olyan elektromos szerszám, amelynél az elektromos áramütés elleni védelem nem csak az alapszigeteléstől függ, hanem amelyben kiegészítő védőintézkedéseket, mint pl. kettős szigetelés vagy megerősített szigetelés, alkalmaznak.



TEHNIČNI PODATKI	K950 K	K950 S
Proizvodna številka.....	4171 25 01.....	4171 57 01.....
.....	4171 35 01.....	4171 61 01.....
.....	4171 43 01.....	4171 63 01.....
.....	...000001-999999	...000001-999999
Nazivna sprejemna moč.....	1700 W.....	1700 W.....
Oddajna zmogljivost.....	850 W.....	850 W.....
Število vrtljajev v prostem teku.....	125-250 min <sup>-1</sup> .....	125-250 min <sup>-1</sup> .....
Število vrtljajev pri obremenitvi maks.....	125-250 min <sup>-1</sup> .....	125-250 min <sup>-1</sup> .....
bremensko število udarcev maks.....	975-1950 min <sup>-1</sup> .....	975-1950 min <sup>-1</sup> .....
Jakost posameznega udarca v skladu z EPTA-Procedure 05/2009.....	20 J.....	20 J.....
Vrtni ø v betonu.....	28-50 mm.....	28-50 mm.....
Tunelni sveder v betonu, opeki in apnenem peščencu.....	50-80 mm.....	50-80 mm.....
Votla vrtna krona v betonu, opeki in apnenem peščencu.....	45-150 mm.....	45-150 mm.....
Teža po EPTA-proceduri 01/2003.....	11,8 kg.....	11,8 kg.....

#### Informacije o hrupnosti

Vrednosti merjenja ugotovljene ustrezno z EN 60 745.

Raven hrupnosti naprave ovrednotena z A, znaša tipično:

Nivo zvočnega tlaka (K=3dB(A))..... 100 dB (A)

Višina zvočnega tlaka (K=3dB(A))..... 111 dB (A)

#### Nosite zaščito za sluh!

#### Informacije o vibracijah

Skupna vibracijska vrednost (Vektorska vsota treh smeri)

določena ustrezno EN 60745:

Vibracijska vrednost emisij a<sub>v</sub>:

Udarno vrtnje v betonu:..... 12,5 m/s<sup>2</sup>..... 12,5 m/s<sup>2</sup>

Nevarnost K =..... 2 m/s<sup>2</sup>..... 2 m/s<sup>2</sup>

Klesanje:..... 11 m/s<sup>2</sup>..... 11 m/s<sup>2</sup>

Nevarnost K =..... 2 m/s<sup>2</sup>..... 2 m/s<sup>2</sup>

TEHNIČNI PODATKI	K900 K	K900 S
Proizvodna številka.....	4427 82 01.....	4427 79 01.....
.....	4171 45 01.....	4171 67 01.....
.....	4171 50 01.....	4171 71 01.....
.....	4171 55 01.....	4171 73 01.....
.....	4171 53 01.....	.....
.....	...000001-999999	...000001-999999
Nazivna sprejemna moč.....	1600 W.....	1600 W.....
Oddajna zmogljivost.....	800 W.....	800 W.....
Število vrtljajev v prostem teku.....	975-1950 min <sup>-1</sup> .....	975-1950 min <sup>-1</sup> .....
Jakost posameznega udarca v skladu z EPTA-Procedure 05/2009.....	20 J.....	20 J.....
Teža po EPTA-proceduri 01/2003.....	11,0 kg.....	11,0 kg.....

#### Informacije o hrupnosti K900 K, K900 S

A ocenjeni nivo zvočnega tlaka znaša tipično.....94 dB (A).....94 dB (A)

Vrednost merjenja ugotovljena ustrezno z 2005/88/EC na

ušesu uporabnika.

2005/88/EC: Postopek za oceno konformnosti po prilogi VI.

– navedeno mesto:

VDE Prüf- und Zertifizierungsinstitut, Merianstr. 28,

63069 Offenbach, Germany

Izmerjena višina zvočnega tlaka..... 102 dB (A)..... 102 dB (A)

Garantirana višina zvočnega tlaka..... 105 dB (A)..... 105 dB (A)

#### Nosite zaščito za sluh!

#### Informacije o vibracijah

Skupna vibracijska vrednost (Vektorska vsota treh smeri)

določena ustrezno EN 60745:

Vibracijska vrednost emisij a<sub>v</sub>:

Klesanje:..... 11 m/s<sup>2</sup>..... 11 m/s<sup>2</sup>

Nevarnost K =..... 2 m/s<sup>2</sup>..... 2 m/s<sup>2</sup>

#### OPOZORILO

V teh navodilih navedena raven treslajev je bila izmerjena po EN60745 normiranem merilnem postopku in lahko služi

medsebojni primerjavi električnih orodij. Prav tako je primeren za predhodno oceno obremenitve s treslaji.

Navedena raven treslajev navaja najpomembnejše vrste rabe električnega orodja. Kadar se električno orodje uporablja za

drugačne namene, z odstopajočimi orodji ali pa z nezadostnim vzdrževanjem, lahko raven treslajev tudi odstopa. Le to lahko

čez celoten delovni čas znatno zviša obremenitev s tresenjem.

Za natančno oceno obremenitve s treslaji naj bi se upošteval tudi čas v katerem je naprava izklopljena ali sicer teče, vendar

dejansko ni v rabi. Le to lahko obremenitev s treslaji čez celoten delovni čas znatno zmanjša.

Za zaščito upravljalca pred učinkom treslajev uvedite dodatne zaščitne ukrepe npr.: Vzdrževanje električnega orodja in

orodja, delo s toplimi rokami, organizacija delovnih potekov.

**⚠ OPOZORILO! Preberite vsa varnostna opozorila in navodila.** Napake zaradi neupoštevanja spodaj navedenih opozoril in napotil lahko povzročijo električni udar, požar in/ali težke telesne poškodbe.

**Vsa opozorila in napotila shranite, ker jih boste v prihodnje še potrebovali.**

#### SPECIALNI VARNOSTNI NAPOTKI

**Nosite zaščito za sluh.** Razvijanje hrupa lahko povzroči izgubo sluha.

**Uporabite dodatne ročaje, ki so dobavljeni skupaj z napravo.** Izguba kontrole lahko povzroči poškodbe.

**Kadar izvajate dela pri katerih lahko orodje zadane prikrito električno napeljavo ali lasten vodnik, je napravo potrebno držati za izolirane prijemalne površine.** Stik rezalnega orodja z napetostnim vodnikom napeljave lahko privede kovinske dele naprave pod napetost in vodi do električnega udara.

Vtičnice v zunanem področju morajo biti opremljene z zaščitnimi stikali za okvarni tok (FI, RCD, PRCD). To

zahteva instalacijski predpis za vašo električno napravo.

Prosimo, da to pri uporabi naše naprave upoštevate.

Pri delu s strojem vedno nosite zaščitna očala. Priporočamo

zaščitne rokavice, trdno obuvalo, varno proti drsenju ter

predpasnik.

Trske ali iveri se pri tekočem stroju ne smejo odstranjevati.

Pred vsemi deli na stroju izvlcite vtičič iz vtičnice.

Stroj priklopite na vtičnico samo v izklopljenem stanju.

Vedno pazite, da se priključni kabel ne približa področju

delovanja stroja. Kabel vedno vodite za strojem.

Pri delih na steni, stropu ali v tleh pazite na električne kable,

plinske in vodne napeljave.

Prah, ki nastaja pri delu, je pogosto zdravju škodljiv in naj ne

zaide v telo. Nosite ustrezno masko proti prahu.

#### UPORABA V SKLADU Z NAMEDBOSTJO

K950 K, K950 S: Udarni vrtnik je univerzalno uporaben za udarno vrtnje in klesanje v kamnu in betonu.

K900 K, K900 S: Klesarsko kladivo je primerno za klesanje v kamnu in betonu.

Ta naprava se sme uporabiti samo v skladu z namedbostjo uporabiti samo za navede namene.

#### CE-IZJAVA O KONFORMNOSTI

V lastni odgovornosti izjavljamo, da se pod "Tehnični podatki" opisan proizvod ujema z vsemi relevantnimi predpisi smernice 2011/65/EU (RoHS), 2006/42/ES, 2004/108/ES, 2005/88/ES (K900 K, K900 S) in s sledečimi harmoniziranimi normativnimi dokumenti:

EN 60745-1:2009 + A11:2010

EN 60745-2-6:2010

EN 55014-1:2006 + A1:2009 + A2:2011

EN 55014-2:1997 + A1:2001 + A2:2008

EN 61000-3-2:2006 + A1:2009 + A2:2009

EN 61000-3-3:2008

Winnenden, 2012-12-13

*Alexander Krug*

Alexander Krug  
Managing Director



Pooblaščen za izdelavo spisov tehnične dokumentacije.

Techtronic Industries GmbH

Max-Eyth-Straße 10

71364 Winnenden

Germany

#### OMREŽNI PRIKLJUČEK

Priključite samo na enofazni izmenični tok in samo na

omrežno napetost, ki je označena na tipski ploščici.

Priključitev je možna tudi na vtičnice brez zaščitnega

kontakta, ker obstaja nadgradnja zaščitnega razreda.

#### VZDRŽEVANJE

Pazite na to, da so prezračevalne reže stroja vedno čiste.

Pri obrabljenih oglenih krtačkah naj se dodatno z zamenjavo oglenih krtačk izvede servisno vzdrževanje v delavnici servisne službe. To podaljša življenjsko dobo stroja in zagotavlja stalno pripravljenost za obratovanje.

Uporabljajte samo Milwaukee pribor in Milwaukee nadomestne dele. Poskrbite, da sestavne dele, katerih zamenjava ni opisana, zamenjajo v Milwaukee servisni službi (upoštevajte brošuro Garancija/Naslovi servisnih služb).

Po potrebi je mogoče pri vašem servisnem mestu ali neposredno pri Techtronic Industries GmbH, Max-Eyth-Straße 10, 71364 Winnenden, Germany, naročiti eksplozijsko risbo naprave ob navedbi tipa stroja in na tablici navedene šestmestne številke.

#### SIMBOLI



Prosimo, da pred uporabo pozorno preberete to navodilo za uporabo.



Pred vsemi deli na stroju izvlcite vtičič iz vtičnice.



Oprema – ni vsebovana v obsegu dobave, priporočeno dopolnilo iz programa opreme.



Električnega orodja ne odstranjujte s hišnimi odpadki! V skladu z Evropsko direktivo 2002/96/EC o odpadni elektrici in elektronski opremi in z njenim izvajanjem v nacionalni zakonodaji je treba električna orodja ob koncu njihove življenjske dobe loceno zbirati in jih predati v postopek okolju prijaznega recikliranja.



Zaščitni razred II: električno orodje, pri katerem zaščita proti električnemu udarcu ni odvisna le od osnovne izolacije, temveč z uporabo dodatnih zaščitnih ukrepov, kot je dvojna ali ojačana izolacija.



TEHNIČKI PODACI	K950 K	K950 S
Broj proizvodnje.....	4171 25 01.....	4171 57 01.....
.....	4171 35 01.....	4171 61 01.....
.....	4171 43 01.....	4171 63 01.....
.....	...000001-999999	...000001-999999
Snaga nominalnog prijema.....	1700 W.....	1700 W.....
Predajni učinak.....	850 W.....	850 W.....
Broj okretaja praznog hoda.....	125-250 min <sup>-1</sup> .....	125-250 min <sup>-1</sup> .....
Broj okretaja pod opterećenjem.....	125-250 min <sup>-1</sup> .....	125-250 min <sup>-1</sup> .....
Maksimalan broj udaraca pod opterećenjem.....	975-1950 min <sup>-1</sup> .....	975-1950 min <sup>-1</sup> .....
Jačina pojedinačnih udaraca prema EPTA-Procedure 05/2009.....	20 J.....	20 J.....
Bušenje- $\phi$ u beton.....	28-50 mm.....	28-50 mm.....
Bušać tunela u beton, opeku i silikatnu opeku.....	50-80 mm.....	50-80 mm.....
Suplja krunica za bušenje u beton, opeku i silikatnu opeku.....	45-150 mm.....	45-150 mm.....
Težina po EPTA-proceduri 01/2003.....	11,8 kg.....	11,8 kg.....

**Informacije o buci**  
Mjerne vrijednosti utvrđene odgovarajuće EN 60 745.

A-ocijenjeni nivo buke aparata iznosi tipično:  
nivo pritiska zvuka (K=3 dB(A))..... 100 dB (A)  
nivo učinka zvuka (K=3 dB(A))..... 111 dB (A)

#### Nositi zaštitu sluha!

#### Informacije o vibracijama

Ukupne vrijednosti vibracije (Vektor suma tri smjera) su odmjerene odgovarajuće EN 60745:

Vrijednost emisije vibracije  $a_{h,v}$ :  
Čekično bušenje u beton:..... 12,5 m/s<sup>2</sup>..... 12,5 m/s<sup>2</sup>  
Nesigurnost K = ..... 2 m/s<sup>2</sup>..... 2 m/s<sup>2</sup>  
Klesanje:..... 11 m/s<sup>2</sup>..... 11 m/s<sup>2</sup>  
Nesigurnost K = ..... 2 m/s<sup>2</sup>..... 2 m/s<sup>2</sup>

TEHNIČKI PODACI	K900 K	K900 S
Broj proizvodnje.....	4427 82 01.....	4427 79 01.....
.....	4171 45 01.....	4171 67 01.....
.....	4171 50 01.....	4171 71 01.....
.....	4171 55 01.....	4171 73 01.....
.....	4171 53 01.....	.....
.....	...000001-999999	...000001-999999
Snaga nominalnog prijema.....	1600 W.....	1600 W.....
Predajni učinak.....	800 W.....	800 W.....
Broj okretaja praznog hoda.....	975-1950 min <sup>-1</sup> .....	975-1950 min <sup>-1</sup> .....
Jačina pojedinačnih udaraca prema EPTA-Procedure 05/2009.....	20 J.....	20 J.....
Težina po EPTA-proceduri 01/2003.....	11,0 kg.....	11,0 kg.....

#### Informacije o buci

A-procjenjeni nivo pritiska zvuka aparata iznosi tipično.....94 dB (A).....94 dB (A)

Mjerna vrijednost pronađena odgovarajuće 2005/88/EC na uhu korisnika.

2005/88/EC: Postupak procjene konformnosti po dodatku VL nazvano mjesto:

VDE institut za provjeru i certifikaciju, Merianstr. 28,

63069 Offenbach, Njemačka

Izmjereni nivo učinka zvuka..... 102 dB (A)..... 102 dB (A)

Garantirani nivo učinka zvuka..... 105 dB (A)..... 105 dB (A)

#### Nositi zaštitu sluha!

#### Informacije o vibracijama

Ukupne vrijednosti vibracije (Vektor suma tri smjera) su odmjerene odgovarajuće EN 60745:

Vrijednost emisije vibracije  $a_{h,v}$ :  
Klesanje:..... 11 m/s<sup>2</sup>..... 11 m/s<sup>2</sup>  
Nesigurnost K = ..... 2 m/s<sup>2</sup>..... 2 m/s<sup>2</sup>

#### UPOZORENIE

Ova u ovim uputama navedena razina titranja je bila izmjerena odgovarajuće jednom u EN 60745 normiranom mjernom postupku i može se upotrijebiti za usporedbu električnog alata međusobno. Ona je prikladna i za privremenu procjenu titrajnog opterećenja.

Navedena razina titranja reprezentira glavne primjene električnog alata. Ukoliko se električni alat upotrebljava u druge svrhe sa odstupajućim primijenjenim alatima ili nedovoljnim održavanjem, onda razina titranja može odstupati. To može titrajno opterećenje kroz cijeli period rada bitno povisiti.

Za točnu procjenu titrajnog opterećenja se moraju uzeti u obzir i vremena u kojima je uređaj isključen ili u kojima doduše radi, ali nije i stvarno u upotrebi. To može titrajno opterećenje bitno smanjiti za vrijeme cijelog radnog perioda.

Utvrđite dodatne sigurnosne mjere za zaštitu poslužioca protiv djelovanja titranja kao npr.: Održavanje električnih alata i upotrebljenih alata, održavanje topline ruku, organizacija i radne postupke.

**⚠ UPOZORENJE! Pročitajte molimo sve sigurnosna upozorenja i upute.** Ako se ne bi poštivale napomene o sigurnosti i upute to bi moglo uzrokovati strujni udar, požar i/ili teške ozljede.  
**Sačuvajte sve napomene o sigurnosti i upute za buduću primjenu.**

#### SPECIJALNE SIGURNOSNE UPUTE

**Nosite zaštitu za sluh. Djelovanje buke može dovesti do gubitka sluha.**

**Koristite dodatne drške koje su isporučene sa aparatom.** Gubitak kontrole može prouzročiti povrede.

**Držite spravu na izoliranim držačkim površinama kada izvodite radove kod kojih rezački alat može pogoditi skrivene vodove struje ili osobni kabel.** Kontakt rezačkog alata sa vodovima koji sprovode naponom može metalne dijelove sprave dovesti pod napon i tako dovesti do električnog udara.

Utičnice na vanjskom području moraju biti opremljene zaštitnim prekidačima za pogrešnu struju (FI, RCD, PRCD). To zahtjeva instalacijski propis za električne uređaje. Molimo da ovo poštujete prilikom upotrebe našeg aparata.

Kod radova sa strojem uvijek nositi zaštitne naočale. Zaštitne rukavice, čvrste i protiv klizanja sigurne cipele kao i pregača se preporučuju.

Piljevina ili iverje se za vrijeme rada stroja ne smiju odstranjivati.

Prije radova na stroju izvući utikač iz utičnice.

Samo isključeni stroj priključiti na utičnicu.

Priključni kabel uvijek držati udaljenim sa područja djelovanja. Kabel uvijek voditi od stroja prema nazad.

Kod radova na zidu, stropu ili podu paziti na električne kablove kao i vodove plina i vode.

Prašina koja nastaje prilikom rada je često nezdrava i ne bi smjela dospjeti u tijelo. Nositi prikladnu zaštitnu masku protiv prašine.

#### PROPISNA UPOTREBA

K950 K, K950 S: Bušeći čekić je univerzalno upotrebljiv za čekično bušenje i klesanje u kamenu i betonu.

K900 K, K900 S: Čekić je upotrebljiv za klesanje u kamenu i betonu.

Ovaj aparat se smije upotrijebiti samo u određene svrhe kao što je navedeno.

#### CE-IZJAVA KONFORMNOSTI

Izjavljujemo na osobnu odgovornost, da je proizvod opisan pod "Tehnički podaci", sukladan sa svim relevantnim propisima smjernice 2011/65/EU (RoHS), 2006/42/EC, 2004/108/EC, 2005/88/EC (K900 K, K900 S) i sa sljedećim harmoniziranim normativnim dokumentima:

EN 60745-1:2009 + A11:2010

EN 60745-2-6:2010

EN 55014-1:2006 + A1:2009 + A2:2011

EN 55014-2:1997 + A1:2001 + A2:2008

EN 61000-3-2:2006 + A1:2009 + A2:2009

EN 61000-3-3:2008

Winnenden, 2012-12-13

*Alexander Krug*

Alexander Krug  
Managing Director



Ovlašten za formiranje tehničke dokumentacije.

Tech-Tronic Industries GmbH

Max-Eyth-Straße 10

71364 Winnenden

Germany

#### PRIKLJUČAK NA MREŽU

Priključiti samo na jednofaznu naizmjeničnu struju i samo na napon struje, naveden na pločici snage. Priključak je moguć i na utičnice bez zaštitnog kontakta, jer postoji dogradnja zaštitne klase II.

#### ODRŽAVANJE

Prereze za prozračivanje stroja uvijek držati čistima.

Kod istrošenih ugljenih četkica bi se uz zamjenu ugljenih četkica trebao dodatno sprovesti servis u nekoj servisnoj radionici. To povećava vijek trajanja stroja i jamči stalnu spremnost pogona.

Primijeniti samo Milwaukee opremu i Milwaukee rezervne dijelove. Sastavne dijelove, čija zamjena nije opisana, dati zamijeniti kod jedne od Milwaukee servisnih službi (poštivati brošuru Garancija/Adrese servisa).

Po potrebi se crtež pojedinih dijelova aparata uz navođenje podatka o tipu stroja i šestznamenastog broja na pločici snage može zatražiti kod vašeg servisa ili direktno kod Tech-Tronic Industries GmbH, Max-Eyth-Straße 10, 71364 Winnenden, Njemačka.

#### SIMBOLI



Molimo da pažljivo pročitate uputu o upotrebi prije puštanja u rad.



Prije svih radova na stroju utikač izvući iz utičnice.



Oprema - u opsegu isporuke nije sadržana, preporučena dopuna iz promgrama opreme.



Električne alate ne odlažite u kućne otpatke! Prema Europskoj direktivi 2002/96/EC o starim električnim i elektroničkim strojevima i preuzimanju u nacionalno pravo moraju se istrošeni električni alati sakupljati odvojeno i odvesti u pogon za reciklažu.



Zaštitna klasa II, električni alat, kod koga zaštita protiv električnog udara ne zavisí samo o osnovnoj izolaciji, već se kod njega primjenjuju dodatne zaštitne mjere, kao dvostruka izolacija ili pojačana izolacija.

TEHNISKIE DATI	K950 K	K950 S
Izlaides numurs .....	4171 25 01...	4171 57 01...
.....	4171 35 01...	4171 61 01...
.....	4171 43 01...	4171 63 01...
.....	...000001-999999	...000001-999999
Nominālā atdotā jauda.....	1700 W	1700 W
Cietkoks.....	850 W	850 W
Apgriezieni tukšgaitā .....	125-250 min <sup>-1</sup>	125-250 min <sup>-1</sup>
maks. apgriezieni skaits ar slodzi.....	125-250 min <sup>-1</sup>	125-250 min <sup>-1</sup>
maks. sitienu biežums ar slodzi.....	975-1950 min <sup>-1</sup>	975-1950 min <sup>-1</sup>
Atsevišķo triecienu enerģija atbilstoši EPTA-Procedure 05/2009 .....	20 J	20 J
Urbšanas diametrs betonā .....	28-50 mm	28-50 mm
Tunelurbis betonam, ķieģeļiem un kaļķsmilšakmeņim .....	50-80 mm	50-80 mm
Dobs kronurbis betonam, ķieģeļiem un kaļķsmilšakmeņim .....	45-150 mm	45-150 mm
Svars atbilstoši EPTA -Procedure 01/2003.....	11,8 kg	11,8 kg

### Trokšņu informācija

Vērtības, kas noteiktas saskaņā ar EN 60 745.

A novērtētās aparatūras skaņas līmenis ir:

trokšņa spiediena līmenis (K=3 dB(A))..... 100 dB (A)

trokšņa jaudas līmenis (K=3 dB(A)) ..... 111 dB (A)

### Nēsāt trokšņa slāpētāju!

### Vibrāciju informācija

Svārstību kopējā vērtība (Trīs virzienu vektoru summa) tiek

noteikta atbilstoši EN 60745:

svārstību emisijas vērtība a<sub>h</sub>:

Urbšana betonā: ..... 12,5 m/s<sup>2</sup>..... 12,5 m/s<sup>2</sup>

Nedrošība K = ..... 2 m/s<sup>2</sup>..... 2 m/s<sup>2</sup>

Skaldīšana: ..... 11 m/s<sup>2</sup>..... 11 m/s<sup>2</sup>

Nedrošība K = ..... 2 m/s<sup>2</sup>..... 2 m/s<sup>2</sup>

TEHNISKIE DATI	K900 K	K900 S
Izlaides numurs .....	4427 82 01...	4427 79 01...
.....	4171 45 01...	4171 67 01...
.....	4171 50 01...	4171 71 01...
.....	4171 55 01...	4171 73 01...
.....	4171 53 01...	4171 73 01...
.....	...000001-999999	...000001-999999
Nominālā atdotā jauda.....	1600 W	1600 W
Cietkoks.....	800 W	800 W
Apgriezieni tukšgaitā .....	975-1950 min <sup>-1</sup>	975-1950 min <sup>-1</sup>
Atsevišķo triecienu enerģija atbilstoši EPTA-Procedure 05/2009 .....	20 J	20 J
Svars atbilstoši EPTA -Procedure 01/2003.....	11,0 kg	11,0 kg

### Trokšņu informācija

Instrumenta tipiskais pēc A vērtētais trokšņa spiediena

līmenis parasti sastāda ..... 94 dB (A) ..... 94 dB (A)

Vērtības, kas noteiktas saskaņā ar 2005/88/EK pie lietotāja

auss.

2005/88/EK: Konformitātes novērtēšanas process saskaņā

ar VI.pielikumu. Minētā vieta:

VDE Eksaminēšanas un sertificēšanas institūts, adrese:

Merianstr. 28, 63069 Offenbach, Vācija.

Izmērītais trokšņa jaudas līmenis ..... 102 dB (A) ..... 102 dB (A)

Garantētais trokšņa jaudas līmenis ..... 105 dB (A) ..... 105 dB (A)

### Nēsāt trokšņa slāpētāju!

### Vibrāciju informācija

Svārstību kopējā vērtība (Trīs virzienu vektoru summa) tiek

noteikta atbilstoši EN 60745:

svārstību emisijas vērtība a<sub>h</sub>:

Skaldīšana: ..... 11 m/s<sup>2</sup>..... 11 m/s<sup>2</sup>

Nedrošība K = ..... 2 m/s<sup>2</sup>..... 2 m/s<sup>2</sup>

### UZMANĪBU

Instrukcijā norādītā svārstību robežvērtība ir izmērīta mērījumu procesā, kas veikts atbilstoši standartam EN 60745, un to var izmantot elektroinstrumentu savstarpējai salīdzināšanai. Tā ir piemērota arī svārstību noslogojuma pagaidu izvērtēšanai.

Norādītā svārstību robežvērtība ir reprezentatīva elektroinstrumenta pamata pielietojuma jomām. Tomēr, ja elektroinstrumenti tiek pielietoti citās jomās, papildus izmantojot neatbilstošus elektroinstrumentus vai pēc nepietiekamas tehniskās apkopes, tad svārstību robežvērtība var atšķirties. Tas var ievērojami palielināt svārstību noslogojumu visa darba laikā.

Precīzai svārstību noslogojuma noteikšanai, ir jāņem vērā arī laiks, kad ierīces ir izslēgtas vai arī ir ieslēgtas, tomēr faktiski netiek lietota. Tas var ievērojami samazināt svārstību noslogojumu visa darba laikā.

Integrējiet papildus drošības pasākumus pret svārstību ietekmi lietotājam, piemēram: elektroinstrumentu un darba instrumentu tehniskā apkope, roku siltuma uzturēšana, darba procesu organizācija.

**⚠ BRĪDINĀJUMS!** Izlasiet visus drošības brīdinājumus un instrukcijas. Šeit sniegto drošības noteikumu un norādījumu neievērošana var izraisīt aizdegšanos un būt par cēloni elektriskajam triecienam vai nopietnam savainojumam. **Pēc izlasīšanas uzglabāiet šos noteikumus turpmākai izmantošanai.**

### SPECIĀLIE DROŠĪBAS NOTEIKUMI

**Nēsājiet ausu aizsargus. Trokšņa iedarbības rezultātā var rasties dzirdes traucējumi.**

**Lietojiet instrumentam pievienotos papildus rokturus.** Zaudējot kontroli, var gūt ievainojumus.

**Ierīci turiet aiz izolētiem rokturiem, ja veicat darbus, kuros griešanas darbiem izmantojamais instruments var skart paslēptus elektrovadus vai pats savu kabeli.** Šī instrumenta saskare ar strāvu vadošiem kabeļiem var radīt spriegumu arī ierīces metāliskajās daļās un var izraisīt elektrisko triecienu.

Kontaktligzdām, kas atrodas ārpus telpām jābūt aprīkotām ar automātiskiem drošinātājslēdzīem, kas nostrādā, ja strāvas plūsmā radušies (FI, RCD, PRCD) bojājumi. To pieprasa jūsu elektroiekārtas instalācijas noteikumi. Lūdzu, to ņemt vērā, izmantojot mūsu instrumentus.

Strādājot ar mašīnu, vienmēr jānēsā aizsargbrilles. Tiek ieteikts nēsāt arī aizsargcimdus, slēgtus, neslīdošus apavus un priekšautu.

Skaidas un atūzas nedrīkst ņemt ārā, kamēr mašīna darbojas.

Pirms jebkādiem darbiem, kas attiecas uz mašīnas apkopi, mašīnu noteikti vajag atvienot no kontaktligzdas.

Mašīnu pievienot kontaktligzdai tikai izslēgtā stāvoklī.

Pievienojuma kabeli vienmēr turēt atstatu no mašīnas darbības lauka. Kabelim vienmēr jāatrodas aiz mašīnas.

Veicot darbus sienu, griestu un grīdas apvidū, vajag uzmanīties, lai nesabojātu elektriskos, gāzes un ūdens vadus.

Putekļi, kas rodas darba gaitā, bieži ir kaitīgi veselībai un tiem nevajadzētu nokļūt organismā. Jānēsā piemērota maska, kas pasargā no putekļiem.

### NOTEIKUMIEM ATBILSTOŠS IZMANTOJUMS

K950 K, K950 S: Atskaldāmais āmurs ir universāli izmantojams urbšanai un akmens un betona skaldīšanai.

K900 K, K900 S: Āmurs ir izmantojams akmens un betona skaldīšanai.

Šo instrumentu drīkst izmantot tikai saskaņā ar minētajiem lietošanas noteikumiem.

### ATBILSTĪBA CE NORMĀM

Mēs apliecinām, ka produkts, kura tehniskie parametri aprakstīti "tehnisko datu lapā", pilnībā atbilst prasībām saskaņā ar direktīvām 2011/65/EU (RoHS), 2006/42/EK, 2004/108/EK, 2005/88/EK (K900 K, K900 S) un attiecīgajiem harmonizētajiem normatīvajiem dokumentiem:

EN 60745-1:2009 + A11:2010

EN 60745-2-6:2010

EN 55014-1:2006 + A1:2009 + A2:2011

EN 55014-2:1997 + A1:2001 + A2:2008

EN 61000-3-2:2006 + A1:2009 + A2:2009

EN 61000-3-3:2008

Winnenden, 2012-12-13

*Alexander Krug*

Alexander Krug  
Managing Director

Pilnvarotais tehniskās dokumentācijas sastādīšana.

Techronic Industries GmbH  
Max-Eyth-Straße 10  
71364 Winnenden  
Germany



### TĪKLA PIESLĒGUMS

Pieslēgt tikai vienspola maiņstrāvas tīklam un tikai spriegumam, kas norādīts uz jaudas paneļa. Pieslēgums iespējams arī kontaktligzdām bez aizsargkontaktiem, jo runa ir par uzbuvi, kas atbilst II. aizsargklasei.

### APKOPE

Vajag vienmēr uzmanīties, lai būtu tīras dzesēšanas atveres.

Ja ir nolietojušās elektromotora ogļītes, papildus to nomainībai būtu jāveic instrumenta apskate sevīsa darbnīcā. Tas pagarinās mašīnas kalpošanas ilgumu un garantēs tās pastāvīgu darbību.

Izmantojiet tikai firmu Milwaukee piederumus un firmas Milwaukee rezerves daļas. Ieciet nomainīt detaļas, kuru nomaīņa nav aprakstīta, kādā no firmu Milwaukee klientu apkalpošanas servisiem. (Skat. brošūru "Garantija/klientu apkalpošanas serviss".)

Pēc pieprasījuma, Jūsu Klientu apkalpošanas centrā vai pie Technotronic Industries GmbH, Max-Eyth-Straße 10, 71364 Winnenden, Vācijā, ir iespējams saņemt iekārtas montāžas rasējumu, iepriekš norādot iekārtas modeli un sērijas numuru, kas atrodas uz datu plāksnītes un sastāv no sešiem simboliem.

### SIMBOLI



Pirms sākt lietot instrumentu, lūdzu, izlasiet lietošanas pamācību.



Pirms veicat jebkādas darbības attiecībā uz mašīnas apkopi, atvienojiet kontaktdakšu no kontaktligzdas.



Piederumi - standartaprīkojumā neietvertās, bet ieteicamās papildus komplektācijas detaļas no piederumu programmas.



Neizmetiet elektroiekārtas sadzīves atkritumos! Saskaņā ar Eiropas Direktīvu 2002/96/EK par lietotajam elektroiekārtām, elektronikas iekārtām un tas iekļaušanu valsts likumdošana lietotas elektroiekārtas ir jāsavāc atsevišķi un jānogada otrreizējai pārstrādei videi draudzīga veida.



Aizsardzības kategorija II, elektroierīce, kuru lietojot aizsardzība pret elektrības triecienu ir atkarīga nevis no pamat izolācijas, bet gan no papildus drošības pasākumiem kā dubultā izolācija vai pastiprinātā izolācija.

TECHNINIAI DUOMENYS	K950 K	K950 S
Produkto numeris .....	4171 25 01...	4171 57 01...
.....	4171 35 01...	4171 61 01...
.....	4171 43 01...	4171 63 01...
.....	...000001-999999	...000001-999999
Vardinė imamoji galia .....	1700 W	1700 W
Išėjimo galia .....	850 W	850 W
Sūkių skaičius laisva eiga.....	125-250 min <sup>-1</sup>	125-250 min <sup>-1</sup>
Sūkių skaičius su apkrova maks.....	125-250 min <sup>-1</sup>	125-250 min <sup>-1</sup>
Maks. smūgių skaičius su apkrova.....	975-1950 min <sup>-1</sup>	975-1950 min <sup>-1</sup>
Smūgio energija pagal „EPTA-Procedure 05/2009“ .....	20 J	20 J
Gręžimo Ø betone .....	28-50 mm	28-50 mm
Cilindrinis grąžtas betonui, degintoms ir silikatinėms plytom.	50-80 mm	50-80 mm
Vamzdinė gręžimo galvatė betonui, degintoms ir silikatinėms plytom.	45-150 mm	45-150 mm
Prietaiso svoris įvertintas pagal EPTA 2003/01 tyrimų metodiką.....	11,8 kg	11,8 kg

#### Informacija apie keliamą triukšmą

Vertės matuotos pagal EN 60 745.

Įvertintas A įrenginio keliamo triukšmo lygis dažniausiai sudaro:

Garso slėgio lygis (K=3 dB(A)).....	100 dB (A)
Garso galios lygis (K=3 dB(A)).....	111 dB (A)

#### Nešioti klausos apsauginės priemonės!

#### Informacija apie vibraciją

Bendroji svyravimų reikšmė (trijų krypčių vektorių suma),

nustatyta remiantis EN 60745:

Vibravimų emisijos reikšmė a<sub>h</sub>:

Gręžimas betone: .....	12,5 m/s <sup>2</sup>	12,5 m/s <sup>2</sup>
Paklaida K = .....	2 m/s <sup>2</sup>	2 m/s <sup>2</sup>
Atskėlimas: .....	11 m/s <sup>2</sup>	11 m/s <sup>2</sup>
Paklaida K = .....	2 m/s <sup>2</sup>	2 m/s <sup>2</sup>

TECHNINIAI DUOMENYS	K900 K	K900 S
Produkto numeris .....	4427 82 01...	4427 79 01...
.....	4171 45 01...	4171 67 01...
.....	4171 50 01...	4171 71 01...
.....	4171 55 01...	4171 73 01...
.....	4171 53 01...	4171 73 01...
.....	...000001-999999	...000001-999999
Vardinė imamoji galia .....	1600 W	1600 W
Išėjimo galia .....	800 W	800 W
Sūkių skaičius laisva eiga.....	975-1950 min <sup>-1</sup>	975-1950 min <sup>-1</sup>
Smūgio energija pagal „EPTA-Procedure 05/2009“ .....	20 J	20 J
Prietaiso svoris įvertintas pagal EPTA 2003/01 tyrimų metodiką.....	11,0 kg	11,0 kg

#### Informacija apie keliamą triukšmą

Prietaisui būdingas garso slėgio lygis, koreguotas pagal A dažnio charakteristiką.....

Vertės matuotos pagal 2005/88/EB ties dirbančiojo ausimi. 2005/88/EB: Atitikties įvertinimo procedūra pagal priedą VI.

Įgaliota instancija:

„VDE Prüf- und Zertifizierungsinstitut“, Merianstr. 28,

63069 Offenbach, Vokietija

Išmatuotas garso galios lygis .....

Garantuojamas garso galios lygis .....

#### Nešioti klausos apsauginės priemonės!

#### Informacija apie vibraciją

Bendroji svyravimų reikšmė (trijų krypčių vektorių suma),

nustatyta remiantis EN 60745:

Vibravimų emisijos reikšmė a<sub>h</sub>:

Atskėlimas: .....	11 m/s <sup>2</sup>	11 m/s <sup>2</sup>
Paklaida K = .....	2 m/s <sup>2</sup>	2 m/s <sup>2</sup>

#### DĖMESIO

Instrukcijoje nurodyta svyravimų ribinė vertė yra išmatuota remiantis standartu EN 60745; ji gali būti naudojama keliems elektriniams instrumentams palyginti. Ji taikoma ir laikinai įvertinti svyravimų apkrovą.

Nurodyta svyravimų ribinė vertė yra taikoma pagrindinėse elektrinio instrumento naudojimo srityse. Svyravimų ribinė vertė gali skirtis naudojant elektrinį instrumentą kitose srityse, papildomai naudojant netinkamus elektrinius instrumentus arba juos nepakankamai techniškai prižiūrint. Dėl to viso darbo metu gali žymiai padidėti svyravimų apkrova.

Siekiant tiksliai nustatyti svyravimų apkrovą, būtina atsižvelgti ir į laikotarpį, kai įrenginys yra išjungtas arba įjungtas, tačiau faktiškai nenaudojamas. Dėl to viso darbo metu gali žymiai sumažėti svyravimų apkrova.

Siekiant apsaugoti vartotojus nuo svyravimo įtakos naudojamos papildomos saugos priemonės, pavyzdžiui, elektrinių darbo instrumentų techninė priežiūra, rankų šilumos palaikymas, darbo procesų organizavimas.

**⚠ ĮSPĖJIMAS! Perskaitykite visus saugos nurodymus ir instrukcijas.** Jei nepaisysite žemiau pateiktų saugos nuorodų ir reikalavimų, gali trenkti elektros smūgis, kilti gaisras ir/arba galite sunkiai susižaloti arba sužaloti kitus asmenis.  
**Išsaugokite šias saugos nuorodas ir reikalavimus, kad ir ateityje galėtumėte jais pasinaudoti.**

#### YPATINGOS SAUGUMO NUORODOS

**Nešioti klausos apsaugos priemonės. Triukšmo poveikyje galima netekti klausos.**

**Naudokite į prietaiso komplektaciją įeinančias papildomas rankenas.** Nesuvaldžius prietaiso galima susižeisti.

**Dirbdami laikykite prietaisą už izoliuotų vietų, kuriose pjovimo įrenginys pats galėtų liesti paslėptus laidus arba savo paties laidą.** Pjovimo įrenginio kontaktas su įtampos laidais gali įelektrinti metalines prietaiso dalis, o tai gali sukelti elektros iškrovą.

Lauke esantys el. lizdai turi būti su gedimo srovės išjungikliais. Tai nurodyta Jūsų elektros įrenginio instaliacijos taisyklėse (FI, RCD, PRCD). Atsižvelkite į tai, naudodami prietaisą.

Dirbdami su įrenginiu visada nešioti apsauginius akinius. Rekomenduotina nešioti apsauginės pirštines, tvirtus batus neslidžiu padu bei prijuostę.

Draudžiama išiminti drožles ar nuopjovas, įrenginui veikiant.

Prieš atlikdami bet kokius įrenginyje, ištraukite iš lizdo kištuką.

Kištuką į lizdą įstatykite, tik kai įrenginys išjungtas.

Maitinimo kabelis turi nebūti įrenginio poveikio srityje. Kabelį visada nuveskite iš galinės įrenginio pusės.

Dirbdami sienoje, lubose arba grindyse, atkreipkite dėmesį į elektros laidus, dujų ir vandens vamzdžius.

Darbo metu susidarancios dulksės yra dažnai kenksmingos sveikatai ir todėl turėtų nepatekti į organizmą. Dėvėti tinkamą apsauginę kaukę nuo dulkių.

#### NAUDOJIMAS PAGAL PASKIRTĮ

K950 K, K950 S: Smūginį gręžtuvą galima universaliai naudoti smūginiam gręžimui bei kalimui uolienoje ir betone.

K900 K, K900 S: Atskėlimo plaktuką galima naudoti uolienų ir betono atskėlimui.

Šį prietaisą leidžiama naudoti tik pagal nurodytą paskirtį.

#### CE ATITIKTIES PAREIŠKIMAS

Remiantis bendrais atsakomybės reikalavimais pareiškiami, jog skyriuje "Techniniai duomenys" aprašytas produktas atitinka visus toliau pateiktų juridinių direktyvų reikalavimus: 2011/65/EU (RoHS), 2006/42/EB, 2004/108/EB, 2005/88/EB (K900 K, K900 S) ir kitus su jomis susijusius norminius dokumentus:

EN 60745-1:2009 + A11:2010

EN 60745-2:6:2010

EN 55014-1:2006 + A1:2009 + A2:2011

EN 55014-2:1997 + A1:2001 + A2:2008

EN 61000-3-2:2006 + A1:2009 + A2:2009

EN 61000-3-3:2008

Winnenden, 2012-12-13

*Alexander Krug*

Alexander Krug  
Managing Director



Įgaliotas parengti techninius dokumentus.

Techtronic Industries GmbH

Max-Eyth-Straße 10

71364 Winnenden

Germany

#### ELEKTROS TINKLO JUNGTIŠ

Jungti tik prie vienfazės kintamos elektros srovės ir tik į specifikacijų lentelėje nurodytos įtampos elektros tinklą. Konstrukcijos saugos klasė II, todėl galima jungti ir į lizdus be apsauginio kontakto.

#### TECHNINIS APARNAVIMAS

Įrenginio vėdinimo angos visada turi būti švarios.

Keičiant susidėvėjusius anglinius šepetėlius, be šepetėlių keitimo aptarnavimo dirbtuvėse reikėtų atlikti techninį prietaiso aptarnavimą. Tai prailgina įrenginio tarnavimo laiką ir užtikrina nuolatinę parengtį darbui.

Naudokite tik „Milwaukee“ priedus ir „Milwaukee“ atsargines dalis. Dalis, kurių keitimas neaprašytas, leidžiama keisti tik „Milwaukee“ klientų aptarnavimo skyriams (žr. garantiją/ klientų aptarnavimo skyrių adresus brošiuroje).

Esant poreikiui, nurodžius mašinos modelį ir šešiaženklį numerį, esantį ant specifikacijų lentelės, klientų aptarnavimo centre arba tiesiogiai „Techtronic Industries GmbH“, Max-Eyth-Str. 10, 71364 Winnenden, Vokietija, galite užsakyti išplėstinį prietaiso brėžinį.

#### SIMBOLIAI



Prieš pradėdami dirbti su prietaisu, atidžiai perskaitykite jo naudojimo instrukciją.



Prieš atlikdami bet kokius darbus įrenginyje, ištraukite kištuką iš lizdo.



Priedas – neįeina į tiekimo komplektaciją, rekomenduojamas papildymas iš priedų asortimento.



Neišmeskite elektros įrengimu ir buitinius šiukšlynus! Pagal ES Direktyva 2002/96/EB dėl naudotų įrengimų, elektros įrengimu ir ju ištraukimo ir valstybinius įstatymus naudotus įrengimus būtina suringti atskirai ir nugabenti antriniu žaliavu perdirbimui aplinkai nekenksmingu būdu.



II-os apsaugos klasės elektros prietaisai, kuris nuo elektros srovės poveikio yra apsaugotas ne tik pagrindine izoliacija, bet ir tokiomis papildomomis apsauginėmis priemonėmis, kaip dviguba arba sustiprinta izoliacija.



TEHNILISED ANDMED	K950 K	K950 S
Toolimisnumber .....	4171 25 01...	4171 57 01...
.....	4171 35 01...	4171 61 01...
.....	4171 43 01...	4171 63 01...
.....	...000001-999999	...000001-999999
Nimitarbimine.....	1700 W	1700 W
Väljundvõimsus .....	850 W	850 W
Pöörlemiskiirus tühijooksul .....	125-250 min <sup>-1</sup>	125-250 min <sup>-1</sup>
Maks pöörlemiskiirus koormusega .....	125-250 min <sup>-1</sup>	125-250 min <sup>-1</sup>
Löökide arv koormusega maks.....	975-1950 min <sup>-1</sup>	975-1950 min <sup>-1</sup>
Löögitugevus EPTA-Procedure 05/2009 kohaselt .....	20 J	20 J
Puuri ø betoonis .....	28-50 mm	28-50 mm
Tunnelpuur betoonis, tellistes ja silikaatkivides .....	50-80 mm	50-80 mm
Õnes-kroonpuur betoonis, tellistes ja silikaatkivides .....	45-150 mm	45-150 mm
Kaal vastavalt EPTA-protseduurile 01/2003 .....	11,8 kg	11,8 kg

**Müra andmed**  
Mõõteväärtused on kindlaks tehtud vastavalt normile EN 60 745.

Seadme tüüpiline hinnanguline (A) müratase:  
Helirõhutase (K = 3dB(A))..... 100 dB (A)  
Helivõimsuse tase (K = 3dB(A))..... 111 dB (A)

**Kandke kaitseks kõrvaklappe!**

**Vibratsiooni andmed**

Vibratsiooni koguväärtus (kolme suuna vektorsumma) mõõdetud EN 60745 järgi:  
Vibratsiooni emissiooni väärtus a<sub>h</sub>:  
Puurimine betoonis:..... 12,5 m/s<sup>2</sup>..... 12,5 m/s<sup>2</sup>  
Määramatus K = ..... 2 m/s<sup>2</sup>..... 2 m/s<sup>2</sup>  
Meiseldamine:..... 11 m/s<sup>2</sup>..... 11 m/s<sup>2</sup>  
Määramatus K = ..... 2 m/s<sup>2</sup>..... 2 m/s<sup>2</sup>

TEHNILISED ANDMED	K900 K	K900 S
Toolimisnumber .....	4427 82 01...	4427 79 01...
.....	4171 45 01...	4171 67 01...
.....	4171 50 01...	4171 71 01...
.....	4171 55 01...	4171 73 01...
.....	4171 53 01...	4171 73 01...
.....	...000001-999999	...000001-999999
Nimitarbimine.....	1600 W	1600 W
Väljundvõimsus .....	800 W	800 W
Pöörlemiskiirus tühijooksul .....	975-1950 min <sup>-1</sup>	975-1950 min <sup>-1</sup>
Löögitugevus EPTA-Procedure 05/2009 kohaselt .....	20 J	20 J
Kaal vastavalt EPTA-protseduurile 01/2003 .....	11,0 kg	11,0 kg

**Müra andmed**  
Seadme A-filtriga hinnatud helirõhutase on tüüpiliselt..... 94 dB (A) ..... 94 dB (A)

Mõõteväärtus on kindlaks tehtud kasutaja kõrva juures vastavalt direktiivile 2005/88/EÜ.

2005/88/EÜ: vastavushindamismenetlus vastavalt lisale VI.

Teavitatud asutus:  
VDE Prüf- und Zertifizierungsinstitut, Merianstr. 28, 63069 Offenbach, Saksamaa.  
Mõõdetud müravõimsuse tase ..... 102 dB (A) ..... 102 dB (A)  
Garanteeritud müravõimsuse tase ..... 105 dB (A) ..... 105 dB (A)

**Kandke kaitseks kõrvaklappe!**

**Vibratsiooni andmed**

Vibratsiooni koguväärtus (kolme suuna vektorsumma) mõõdetud EN 60745 järgi:  
Vibratsiooni emissiooni väärtus a<sub>h</sub>:  
Meiseldamine:..... 11 m/s<sup>2</sup>..... 11 m/s<sup>2</sup>  
Määramatus K = ..... 2 m/s<sup>2</sup>..... 2 m/s<sup>2</sup>

**TÄHELEPANU**

Antud juhendis toodud võnketase on mõõdetud EN 60745 standardile vastava mõõtesüsteemiga ning seda võib kasutada erinevate elektriseadmete omavahelises võrdlemises. Antud näitaja sobib ka esmaseks võnkekoormuse hindamiseks.

Antud võnketase kehtib elektriseadme kasutamisel sihtotstarbeliselt. Kui elektriseadet kasutatakse muudel otstarvetel, muude tööriistadega või seda ei hooldata piisavalt võib võnketase siintoodust erineda. Eeltoodu võib võnketaset märkimisväärselt tõsta terves töökeskkonnas.

Võnketaseme täpseks hindamiseks tuleks arvestada ka Milwaukeea, mil seade on välja lülitatud või on küll sisse lülitatud, kuid ei ole otseselt kasutuses. See võib märgatavalt vähendada kogu töökeskkonna võnketaset.

Rakendage spetsiaalseid ettevaatusabinõusid töötajate suhtes, kes puutuvad töö käigus palju kokku vibratsiooniga. Nendeks abinõudeks võivad olla, näiteks: elektri- ja tööseadmete korraline hooldus, käte soojendamine, töövoog parem organiseerimine.

**⚠ HOIATUS! Lugege kõiki ohutusjuhiseid ja korraldusi.**  
Ohutusnõuete ja juhiste eiramise tagajärjeks võib olla elektrilöökk, tulekahju ja/või raske vigastused.  
**Hoidke kõik ohutusnõuded ja juhised edasiseks kasutamiseks hoolikalt alles.**

**SPETSIAALSED TURVAJUHISED**

**Kandke kaitseks kõrvaklappe. Müra mõju** võib kutsuda esile kuulimise kaotuse.

**Kasutage seadmega koos tarnitud lisakäepidemeid.** Kontrolli kaotamine võib põhjustada vigastusi.

**Tööde puhul, kus löikeseade võib minna vastu peidetud elektrijuhtmeid või seadme enda toitejuhet, hoidke kinni seadme isoleeritud käepidemetest.** Kokkupuude pingestatud juhtmega võib pingestada ka löikeseadme metallist osad ning põhjustada elektrilöögi.

Välitingimustes asuvad pistikupesad peavad olema varustatud rikkevoolukaitselülititega (FI, RCD, PRCD). Seda nõutakse Teie elektriseadme installaerimiseskirjas. Palun pidage sellest meie seadme kasutamisel kinni.

Masinaga töötades kandke alati kaitseprille. Soovitavad on kaitsekindad, tugevad ja libesemiskindlad jalanõud ning põll.

Puru ega pilpaid ei tohi eemaldada masina töötamise ajal. Enne kõiki töid masina kallal tõmmake pistik pistikupesast välja.

Masin peab pistikupesassa ühendamisega olema alati väljalülitatud seisundis.

Hoidke ühendusjuhe alati masina tööpiirkonnast eemal. Vedage juhe alati masinast tahapoole.

Seina, lae või põranda tööde puhul pidage silmas elektrijuhtmeid, gaasi- ja veetorusid.

Töö ajal tekkiv tolm on sageli tervistkahjustav ning ei tohiks sattuda organismi. Kanda sobivat kaitsemaski.

**KASUTAMINE VASTAVALT OTSTARBELE**

K950 K, K950 S: Puurvasarat saab universaalselt rakendada kivimite ja betooni puurvasaraga töötlemiseks ja meiseldamiseks.

K900 K, K900 S: Vasarat saab rakendada kivimite ja betooni meiseldamiseks.

Antud seadet tohib kasutada ainult vastavalt äranäidatud otstarbele.

**EÜ VASTAVUSAVALDUS**

Me deklareerime ainuisikuliselt vastutades, et lõigus „Tehnilised andmed“ kirjeldatud toode vastab direktiivide 2011/65/EU (RoHS), 2006/42/EÜ, 2004/108/EÜ, 2005/88/EÜ (K900 K, K900 S) kõigile olulisele tähtsusega eeskirjadele ning järgmistele harmoneeritud normatiivsetele dokumentidele:

EN 60745-1:2009 + A11:2010  
EN 60745-2-6:2010  
EN 55014-1:2006 + A1:2009 + A2:2011  
EN 55014-2:1997 + A1:2001 + A2:2008  
EN 61000-3-2:2006 + A1:2009 + A2:2009  
EN 61000-3-3:2008

Winnenden, 2012-12-13

*Alexander Krug*

Alexander Krug  
Managing Director



On volitatud koostama tehnilist dokumentatsiooni.

Techtronic Industries GmbH  
Max-Eyth-Straße 10  
71364 Winnenden  
Germany

**VÕRKU ÜHENDAMINE**

Ühendage ainult ühefaasilise vahelduvvooluga ning ainult andmesildil toodud võrgupingega. Ühendada on võimalik ka kaitsekontaktita pistikupesadesse, kuna nende konstruktsioon vastab kaitseklassile II.

**HOOLDUS**

Hoidke masina õhutuspiilud alati puhtad.

Läbikulunud süsiharjade puhul tuleks klienditeenindustöökojas lisaks süsiharjade vahetusele teha ka hooldus. See pikendab masina eluiga ja tagab pideva käitamisvalmiduse.

Kasutage ainult Milwaukee tarvikuid ja Milwaukee tagavaraosi. Detailid, mille väljavahetamist pole kirjeldatud, laske välja vahetada Milwaukee klienditeeninduspunktis (vaadake brošüüri garantii / klienditeeninduste aadressid).

Vajadusel saab nõuda seadme plahvatusjoonise võimsussildil oleva masinatüübi ja kuuekohalise numbrilise klienditeeninduspunkti või vahetult firmalt Techtronic Industries GmbH, Max-Eyth-Straße 10, 71364 Winnenden, Germany.

**SÜMBOLID**



Palun lugege enne käikulaskmist kasutamjuhend hoolikalt läbi.



Enne kõiki töid masina kallal tõmmake pistik pistikupesast välja.



Tarvikud - ei kuulu tarne komplekti, soovitatav täiendus on saadaval tarvikute programmis.



Ärge käideldge kasutusõlbumatuks muutunud elektrilisi tööriistu koos olmejäätmetega! Vastavalt Euroopa Parlamendi ja nõukogu direktiivile 2002/96/EÜ elektri- ja elektroonikaseadmete jäätmete kohta ning direktiivi nõuete kohaldamisele liikmesriikides tuleb asutuskõlbumatuks muutunud elektrilised tööriistad koguda eraldi ja keskkonnasäästlikult korduskasutada või ringluse võtta.



Kaitseklass II, elektritööriist, mille puhul ei sõltu kaitse mitte üksnes baasisolatsioonist, vaid täiendavate kaitsemeetmete nagu topelisolatsiooni või tugevdatud isolatsiooni kohaldamisest.



ТЕХНИЧЕСКИЕ ДАННЫЕ	K950 K	K950 S
Серийный номер изделия	4171 25 01	4171 57 01
	4171 35 01	4171 61 01
	4171 43 01	4171 63 01
	...000001-999999	...000001-999999
Номинальная выходная мощность	1700 W	1700 W
Номинальная мощность	850 W	850 W
Число оборотов без нагрузки (об/мин)	125-250 min <sup>-1</sup>	125-250 min <sup>-1</sup>
Макс. скорость под нагрузкой	125-250 min <sup>-1</sup>	125-250 min <sup>-1</sup>
Количество ударов при максимальной нагрузке (макс.)	975-1950 min <sup>-1</sup>	975-1950 min <sup>-1</sup>
Сила одиночного удара в соответствии с EPTA Procedure 05/2009	20 J	20 J
Производительность сверления в бетон	28-50 mm	28-50 mm
Туннельные буры по бетону, кирпичу и известняку	50-80 mm	50-80 mm
Коронки для работы по бетону, кирпичу и известняку	45-150 mm	45-150 mm
Вес согласно процедуре EPTA 01/2003	11,8 kg	11,8 kg

#### Информация по шумам

Значения замерялись в соответствии со стандартом EN 60 745.

Уровень шума прибора, определенный по показателю A, обычно составляет:

Уровень звукового давления (K=3 dB(A)) ..... 100 dB (A)  
 Уровень звуковой мощности (K=3 dB(A)) ..... 111 dB (A)

#### Пользуйтесь приспособлениями для защиты слуха.

#### Информация по вибрации

Общие значения вибрации (векторная сумма трех направлений) определены в соответствии с EN 60745:

Значение вибрационной эмиссии a <sub>h</sub> :		
Сверление Бетон:	12,5 m/s <sup>2</sup>	12,5 m/s <sup>2</sup>
Небезопасность K =	2 m/s <sup>2</sup>	2 m/s <sup>2</sup>
Вырубка:	11 m/s <sup>2</sup>	11 m/s <sup>2</sup>
Небезопасность K =	2 m/s <sup>2</sup>	2 m/s <sup>2</sup>

ТЕХНИЧЕСКИЕ ДАННЫЕ	K900 K	K900 S
Серийный номер изделия	4427 82 01	4427 79 01
	4171 45 01	4171 67 01
	4171 50 01	4171 71 01
	4171 55 01	4171 73 01
	4171 53 01	4171 71 01
	...000001-999999	...000001-999999
Номинальная выходная мощность	1600 W	1600 W
Номинальная мощность	800 W	800 W
Число оборотов без нагрузки (об/мин)	975-1950 min <sup>-1</sup>	975-1950 min <sup>-1</sup>
Сила одиночного удара в соответствии с EPTA Procedure 05/2009	20 J	20 J
Вес согласно процедуре EPTA 01/2003	11,0 kg	11,0 kg

#### Информация по шумам

Обычное низкочастотное звуковое давление, производимое инструментом, составляет

Измеряемые значения определяются согласно 2005/88/EC

2005/88/EC: Процедура оценки соответствия согласно

Приложения VI.

Сертификационный орган:

VDE Testing and Certification Institute, Merianstr. 28,

63069 Offenbach, Germany

Измеренный уровень звуковой мощности ..... 102 dB (A) ..... 102 dB (A)

Гарантированный уровень звуковой мощности ..... 105 dB (A) ..... 105 dB (A)

#### Пользуйтесь приспособлениями для защиты слуха.

#### Информация по вибрации

Общие значения вибрации (векторная сумма трех направлений) определены в соответствии с EN 60745:

Значение вибрационной эмиссии a <sub>h</sub> :		
Вырубка:	11 m/s <sup>2</sup>	11 m/s <sup>2</sup>
Небезопасность K =	2 m/s <sup>2</sup>	2 m/s <sup>2</sup>

#### ВНИМАНИЕ

Указанный в настоящем руководстве уровень вибрации измерен в соответствии с технологией измерения, установленной стандартом EN 60745 и может использоваться для сравнения электроинструментов друг с другом. Он также подходит для предварительной оценки вибрационной нагрузки.

Указанный уровень вибрации представляет основные виды использования электроинструмента. Но если электроинструмент используется для других целей, используемый инструмент отклоняется от указанного или техническое обслуживание было недостаточным, то уровень вибрации может отклоняться от указанного. В этом случае вибрационная нагрузка в течение всего периода работы значительно увеличивается.

Для точной оценки вибрационной нагрузки необходимо также учитывать время, в течение которого прибор отключен или включен, но фактически не используется. В этом случае вибрационная нагрузка в течение всего периода работы может существенно уменьшиться.

Установите дополнительные меры безопасности для защиты пользователя от воздействия вибрации, например: техническое обслуживание электроинструмента и используемого инструмента, поддержание рук в теплом состоянии, организация рабочих процессов.

**⚠ ПРЕДУПРЕЖДЕНИЕ!** Прочтите все указания по безопасности и инструкции. Упущения, допущенные при соблюдении указаний и инструкций по технике безопасности, могут стать причиной электрического поражения, пожара и тяжелых травм. **Сохраняйте эти инструкции и указания для будущего использования.**

#### РЕКОМЕНДАЦИИ ПО ТЕХНИКЕ БЕЗОПАСНОСТИ

**Kandke kaitseks krrvaklappe. Мыра mxju vxib kutsuda esile kuulmise kaotuse.**

Используйте вспомогательные рукоятки, поставленные вместе с инструментом. Потеря контроля может стать причиной травмы.

Если Вы выполняете работы, при которых режущий инструмент может зацепить скрытую электропроводку или собственный кабель, инструмент следует держать за специально предназначенные для этого изолирующие поверхности. Контакт режущего инструмента с токоведущим проводом может ставить под напряжение металлические части прибора, а также приводить к удару электрическим током.

Электроприборы, используемые во многих различных местах, в том числе на открытом воздухе, должны подключаться через устройство, предотвращающее резкое повышение напряжения (FI, RCD, PRCD).

При работе с инструментом всегда надевайте защитные очки. Рекомендуется надевать перчатки, прочные нескользящие ботинки и фартук.

Не убирайте опилки и обломки при включенном инструменте.

Перед выполнением каких-либо работ по обслуживанию инструмента всегда вынимайте вилку из розетки.

Держите силовой провод вне рабочей зоны инструмента. Всегда прокладывайте кабель за спиной.

Не используйте алмазные коронки в режиме перфоратора.

При работе в стенах, потолках или полу следите за тем, чтобы не повредить электрические кабели или водопроводные трубы.

Пыль, возникающая при работе данным инструментом, может нанести вред здоровью. Не следует допускать её попадания в организм. Надевайте противопылевой респиратор.

#### ИСПОЛЬЗОВАНИЕ

K950 K, K950 S: Данный перфоратор может одинаково использоваться для ударного сверления и долбления в камне и бетоне.

K900 K, K900 S: Отбойный молоток может использоваться для ударного сверления и долбления в камне и бетоне

Не пользуйтесь данным инструментом способом, отличным от указанного для нормального применения.

#### ДЕКЛАРАЦИЯ О СООТВЕТСТВИИ СТАНДАРТАМ ЕС

Мы заявляем под собственную ответственность, что изделие, описанное в разделе „Технические характеристики“, соответствует всем важным предписаниям Директивы 2011/65/EU (Директива об ограничении применения опасных веществ в электрических и электронных приборах), 2006/42/EC, 2004/108/EC, 2005/88/EC (K900 K, K900 S) и приведенным далее гармонизированным нормативным документам:

EN 60745-1:2009 + A11:2010

EN 60745-2-6:2010

EN 55014-1:2006 + A1:2009 + A2:2011

EN 55014-2:1997 + A1:2001 + A2:2008

EN 61000-3-2:2006 + A1:2009 + A2:2009

EN 61000-3-3:2008

Winnenden, 2012-12-13

Alexander Krug

Managing Director



Уполномочен на составление технической документации.

Techtronic Industries GmbH

Max-Eyth-Straße 10

71364 Winnenden

Germany

#### ПОДКЛЮЧЕНИЕ К ЭЛЕКТРОСЕТИ

Подсоединяйте только к однофазной сети переменного тока с напряжением, соответствующим указанному на инструменте. Электроинструмент имеет второй класс защиты, что позволяет подключать его к розеткам электропитания без заземляющего вывода.

#### ОБСЛУЖИВАНИЕ

Всегда держите охлаждающие отверстия чистыми. Очень важно! При износе угольных щеток, в дополнение к замене щеток инструмент следует проверить в сервисном центре. Это обеспечит долгий срок эксплуатации а также постоянную готовность инструмента к работе.

Пользуйтесь аксессуарами и запасными частями Milwaukee. В случае возникновения необходимости в замене, которая не была описана, обращайтесь в один из сервисных центров по обслуживанию электроинструментов Milwaukee (см. список сервисных организаций).

При необходимости, у сервисной службы или непосредственно у фирмы Techtronic Industries GmbH, Max-Eyth-Straße 10, 71364, Винненден, Германия, можно запросить сборочный чертеж устройства, сообщив его тип и шестизначный номер, указанный на фирменной табличке.

#### СИМВОЛЫ



Пожалуйста, внимательно прочтите инструкцию по использованию перед началом любых операций с инструментом.



Перед выполнением каких-либо работ по обслуживанию инструмента всегда вынимайте вилку из розетки.



Дополнитель - В стандартную комплектацию не входит, поставляется в качестве дополнительной принадлежности.



Не выбрасывайте электроинструмент с бытовыми отходами! Согласно Европейской директиве 2002/96/EC по отходам от электрического и электронного оборудования и соответствующим нормам национального права вышедшие из употребления электроинструменты подлежат сбору отдельно для экологически безопасной утилизации.



Класс защиты II, электроинструмент, в котором защита от поражения электрическим током зависит не только от базовой изоляции, но и от дополнительных защитных мер, таких как двойная изоляция или усиленная изоляция.



Соответствие техническому регламенту



Національний знак відповідності України

TR 066

ТЕХНИЧЕСКИ ДАННИ	K950 K	K950 S
Производствен номер.....	4171 25 01.....	4171 57 01.....
.....	4171 35 01.....	4171 61 01.....
.....	4171 43 01.....	4171 63 01.....
.....	...000001-999999	...000001-999999
Номинална консумирана мощност.....	1700 W.....	1700 W.....
Отдавана мощност.....	850 W.....	850 W.....
Обороти на празен ход.....	125-250 min <sup>-1</sup> .....	125-250 min <sup>-1</sup> .....
Макс. обороти при натоварване.....	125-250 min <sup>-1</sup> .....	125-250 min <sup>-1</sup> .....
Макс. брой на ударите при натоварване.....	975-1950 min <sup>-1</sup> .....	975-1950 min <sup>-1</sup> .....
Енергия на отделен удар Пробиване / Дълбаене.....	20 J.....	20 J.....
Диаметър на свердлото за бетон.....	28-50 mm.....	28-50 mm.....
Пробивна машина за работен тунел - за бетон, обикновени и силикатни тухли.....	50-80 mm.....	50-80 mm.....
Куха боркорона за бетон, обикновени и силикатни тухли.....	45-150 mm.....	45-150 mm.....
Тегло без мрежов кабел.....	11,8 kg.....	11,8 kg.....

#### Информация за шума

Измерените стойности са получени съобразно EN 60 745.

Оцененото с А ниво на шума на уреда е съответно:

Ниво на звукова мощност (K=3 dB(A))..... 100 dB (A)

Ниво на звукова мощност (K=3 dB(A))..... 111 dB (A)

#### Да се носи предпазно средство за слуха!

#### Информация за вибрациите

Общите стойности на вибрациите (векторна сума на три посоки) са определени в съответствие с EN 60745:

Стойност на емисии на вибрациите a<sub>r</sub>:

Пробиване бетон:..... 12,5 m/s<sup>2</sup>..... 12,5 m/s<sup>2</sup>

Несигурност K = ..... 2 m/s<sup>2</sup>..... 2 m/s<sup>2</sup>

Дълбаене:..... 11 m/s<sup>2</sup>..... 11 m/s<sup>2</sup>

Несигурност K = ..... 2 m/s<sup>2</sup>..... 2 m/s<sup>2</sup>

ТЕХНИЧЕСКИ ДАННИ	K900 K	K900 S
Производствен номер.....	4427 82 01.....	4427 79 01.....
.....	4171 45 01.....	4171 67 01.....
.....	4171 50 01.....	4171 71 01.....
.....	4171 55 01.....	4171 73 01.....
.....	4171 53 01.....	.....
.....	...000001-999999	...000001-999999
Номинална консумирана мощност.....	1600 W.....	1600 W.....
Отдавана мощност.....	800 W.....	800 W.....
Обороти на празен ход.....	975-1950 min <sup>-1</sup> .....	975-1950 min <sup>-1</sup> .....
Енергия на отделен удар Пробиване / Дълбаене.....	20 J.....	20 J.....
Тегло без мрежов кабел.....	11,0 kg.....	11,0 kg.....

#### Информация за шума K900 K, K900 S

Нивото на звукова налягане на уреда в db (A) обикновено съставлява.....

..... 94 dB (A)..... 94 dB (A)

Измерена стойност, определена в съответствие с

2005/88/EO до ухото на ползвателя.

2005/88/EO: методика за оценяване на съответствието по

Приложение VI. Посочена служба:

Институт на VDE за изпитвания и сертификация ,

Мерианщрасе 28, 63069 Офенбах, Германия.

Измерено ниво на звукова мощност..... 102 dB (A)..... 102 dB (A)

Гарантирано ниво на звукова мощност..... 105 dB (A)..... 105 dB (A)

#### Да се носи предпазно средство за слуха!

#### Информация за вибрациите

Общите стойности на вибрациите (векторна сума на три посоки) са определени в съответствие с EN 60745:

Стойност на емисии на вибрациите a<sub>r</sub>:

Дълбаене:..... 11 m/s<sup>2</sup>..... 11 m/s<sup>2</sup>

Несигурност K = ..... 2 m/s<sup>2</sup>..... 2 m/s<sup>2</sup>

#### ВНИМАНИЕ

Посоченото в тези инструкции ниво на вибрациите е измерено в съответствие със стандартизиран в EN 60745 измервателен метод и може да се използва за сравнение на електрически инструменти помежду им. Подходящ е и за временна оценка на вибрационното натоварване.

Посоченото ниво на вибрациите представя основните приложения на електрическия инструмент. Ако обаче електрическият инструмент се използва с друго предназначение, с различни сменяеми инструменти или при недостатъчна техническа поддръжка, нивото на вибрациите може да е различно. Това чувствително може да увеличи вибрационното натоварване по време на целия работен цикъл.

За точната оценка на вибрационното натоварване трябва да се вземат предвид и периодите от време, в които уредът е изключен или работи, но в действителност не се използва. Това чувствително може да намали вибрационното натоварване по време на целия работен цикъл.

Определете допълнителни мерки по техника на безопасност в защита на обслужващия работник от въздействието на вибрациите като например: техническа поддръжка на електрическия инструмент и сменяемите инструменти, поддръжане на ръцете топли, организация на работния цикъл.

#### ⚠ ПРЕДУПРЕЖДЕНИЕ! Прочетете всички указания и напътствия за безопасност.

Упущения, допуснени при спазването на указания и инструкциите по техника на безопасност, могат да станат причина за електрическо поражение, пожар и тежки травми.

Сохраняйте эти инструкции и указания за бъдещо използване.

#### СПЕЦИАЛНИ УКАЗАНИЯ ЗА БЕЗОПАСНОСТ

**Носете средство за защита на слуха.** Въздействието на шума може да предизвика загуба на слуха.

**Използвайте доставените с уреда допълнителни ръкохватки.** Загубата на контрол може да доведе до наранявания.

**Дръжте уреда за изолираните ръкохватки, когато извършвате работи, при които режещият инструмент може да засегне скрити електроинсталационни кабели или собствения си кабел.** Контактът на режещия инструмент с тоководещ проводник може да предаде напрежението върху метални части на уреда и да доведе до токов удар.

Контактите във външните участъци трябва да бъдат оборудвани със защитни прекъсвачи за отечен ток (FI, RCD, PRCD). Това изисква предписанието за инсталиране за електрическата инсталация. Моля спазвайте това при използване на Вашия уред.

При работа с машината винаги носете предпазни очила. Препоръчват се също така предпазни ръкавици, здрави и нехлъзгащи се обувки, както и престилка.

Стружки или отчупени парчета да не се отстраняват, докато машина работи.

Преди каквито и да е работи по машината извадете щепсела от контакта.

Свързвайте машината към контакта само в изключено положение.

Свързващият кабел винаги да се държи извън работния обхват на машината. Кабелът да се отвежда от машината винаги назад.

При работи с диамантени боркорони изключете ударния механизъм.

При работа в стени, тавани или подове внимавайте за кабели, газопроводи и водопроводи.

Прахът, който се образува при работа, често е вреден за здравето и не бива да попада в тялото. Да се носи подходяща прахозащитна маска.

#### ИЗПОЛЗВАНЕ ПО ПРЕДНАЗНАЧЕНИЕ

K950 K, K950 S: Перфораторът може универсално да се използва за перфориране и дълбаене в камък и бетон.

K900 K, K900 S: Чукът може да се използва за дълбаене в камък и бетон.

Този уред може да се използва по предназначение само както е посочено.

#### СЕ - ДЕКЛАРАЦИЯ ЗА СЪОТВЕТСТВИЕ

Заявяваме под собствена отговорност, че описаният в "Технически данни" продукт съответства на всички важни разпоредби на директива 2011/65/EU (RoHS), 2006/42/EO, 2004/108/EO, 2005/88/EO (K900 K, K900 S), както и на всички следващи нормативни документи във тази връзка.

EN 60745-1:2009 + A11:2010

EN 60745-2-6:2010

EN 55014-1:2006 + A1:2009 + A2:2011

EN 55014-2:1997 + A1:2001 + A2:2008

EN 61000-3-2:2006 + A1:2009 + A2:2009

EN 61000-3-3:2008

Winnenden, 2012-12-13

*Alexander Krug*

Alexander Krug  
Managing Director



Упълномощен за съставяне на техническата документация

Teichtronic Industries GmbH

Max-Eyth-Straße 10

71364 Winnenden

Germany

#### ЗАЩИТА НА ДВИГАТЕЛЯ В ЗАВИСИМОСТ ОТ НАТОВАРВАНЕТО

Да се свързва само към еднофазен променлив ток и само към мрежово напрежение, посочено върху заводската табелка. Възможно е и свързване към контакт, който не е от тип "шуко", понеже конструкцията е от защитен клас II.

#### ПОДДРЪЖКА

Вентилационните шлицы на машината да се поддържат винаги чисти.

Ако въгленовите четки са износени, те трябва да се сменят и допълнително е необходим преглед в сервис. Това ще удължи експлоатационния срок на машината и гарантира постоянна експлоатационна готовност.

Да се използват само аксесоари на Milwaukee и резервни части на Milwaukee. Елементи, чията подмяна не е описана, да се дадат за подмяна в сервис на Milwaukee (вижте брошурата "Гаранция и адреси на сервиси").

При необходимост можете да поискате схема на елементите на уреда при посочване на обозначение на машината и шестцифрения номер на табелката за технически данни от Вашия сервис или директно на Teichtronic Industries GmbH, Max-Eyth-Straße 10, 71364 Winnenden, Германия.

#### СИМВОЛИ



Преди пускане на уреда в действие моля прочетете внимателно инструкцията за използване.



Преди всякакви работи по машината извадете щепсела от контакта.



Аксесоари - Не се съдържат в обема на доставката, препоръчано допълнение от програмата за аксесоари.



Не изхвърляйте електроинструменти при битовите отпадъци! Съобразно Европейска директива 2002/96/EO за стари електрически и електронни уреди и нейното реализиране в националното законодателство изхабените електроинструменти трябва да се събират отделно и да се предават в пункт за екологосъобразно рециклиране.



Клас на защита II, електроинструмент, при който защитата срещу токов удар зависи не само от основното изолиране, а при която се използва допълнителни предпазни мерки, като двойна изолация или подсилена изолация.

DATE TEHNICE	K950 K	K950 S
Număr producție .....	4171 25 01...	4171 57 01...
.....	4171 35 01...	4171 61 01...
.....	4171 43 01...	4171 63 01...
.....	...000001-999999	...000001-999999
Putere nominală de ieșire .....	1700 W	1700 W
Putere de ieșire .....	850 W	850 W
Viteza la mers în gol .....	125-250 min <sup>-1</sup>	125-250 min <sup>-1</sup>
Viteza sub sarcina max. ....	125-250 min <sup>-1</sup>	125-250 min <sup>-1</sup>
Rata de percuție sub sarcina max. ....	975-1950 min <sup>-1</sup>	975-1950 min <sup>-1</sup>
Energia de percuție conform EPTA-Procedure 05/2009 .....	20 J	20 J
Capacitate de perforare în beton .....	28-50 mm	28-50 mm
Vârf tunel din beton, cărămizi și calcar .....	50-80 mm	50-80 mm
Tăiere în beton, cărămizi și calcar .....	45-150 mm	45-150 mm
Greutatea conform „EPTA procedure 01/2003” .....	11,8 kg	11,8 kg

#### Informație privind zgomotul

Valori măsurate determinate conform EN 60 745.

Nivelul de zgomot evaluat cu A al aparatului este tipic de:

Nivelul presiunii sonore (K=3dB(A)) .....	100 dB (A)
Nivelul sunetului (K=3dB(A)) .....	111 dB (A)

#### Purtați căști de protecție

#### Informații privind vibrațiile

Valorile totale de oscilație (suma vectorială pe trei direcții) determinate conform normei EN 60745:

Valoarea emisiei de oscilații a<sub>n</sub>:

Găurire în beton: .....	12,5 m/s <sup>2</sup>	12,5 m/s <sup>2</sup>
Nesiguranță K = .....	2 m/s <sup>2</sup>	2 m/s <sup>2</sup>
Dăltuire: .....	11 m/s <sup>2</sup>	11 m/s <sup>2</sup>
Nesiguranță K = .....	2 m/s <sup>2</sup>	2 m/s <sup>2</sup>

DATE TEHNICE	K900 K	K900 S
Număr producție .....	4427 82 01...	4427 79 01...
.....	4171 45 01...	4171 67 01...
.....	4171 50 01...	4171 71 01...
.....	4171 55 01...	4171 73 01...
.....	4171 53 01...	4171 73 01...
.....	...000001-999999	...000001-999999
Putere nominală de ieșire .....	1600 W	1600 W
Putere de ieșire .....	800 W	800 W
Viteza la mers în gol .....	975-1950 min <sup>-1</sup>	975-1950 min <sup>-1</sup>
Energia de percuție conform EPTA-Procedure 05/2009 .....	20 J	20 J
Greutatea conform „EPTA procedure 01/2003” .....	11,0 kg	11,0 kg

#### Informație privind zgomotul

Valoarea reală A a nivelului presiunii sonore a sculei este: .....94 dB (A) .....94 dB (A)

Valorile măsurate determinate conform 2005/88/EC la urechea utilizatorului

2005/88/EC: Procedura de evaluare a conformității conform

Anexei VI. Organism înștiințat: Institutul de Certificare și

Testare “VDE Testing and Certification Institute”,

Merianstr. 28, 63069 Offenbach, Germany

Nivel de sunet măsurat .....
 102 dB (A) | 102 dB (A) |

Nivel de sunet garantat .....
 105 dB (A) | 105 dB (A) |

#### Purtați căști de protecție

#### Informații privind vibrațiile

Valorile totale de oscilație (suma vectorială pe trei direcții) determinate conform normei EN 60745:

Valoarea emisiei de oscilații a<sub>n</sub>:

Dăltuire: .....	11 m/s <sup>2</sup>	11 m/s <sup>2</sup>
Nesiguranță K = .....	2 m/s <sup>2</sup>	2 m/s <sup>2</sup>

#### AVERTISMENT

Gradul de oscilație indicat în prezentele instrucțiuni a fost măsurat în conformitate cu o procedură de măsurare normată prin norma EN 60745 și poate fi folosit pentru a compara unelte electrice între ele. El se pretează și pentru o evaluare provizorie a solicitării la oscilații.

Gradul de oscilație indicat reprezintă aplicațiile principale ale uneltelor electrice. În cazul în care însă uneltele electrice au fost folosite pentru alte aplicații, ori au fost folosite unelte de muncă diferite ori acestea nu au fost supuse unei suficiente inspecții de întreținere, gradul de oscilație poate fi diferit. Acest fapt poate duce la o creștere netă a solicitărilor la oscilații dealungul întregii perioade de lucru.

În scopul unei evaluări exacte a solicitării la oscilații, urmează să fie luate în considerație și perioadele de timp în care aparatul a fost oprit ori funcționează dar, în realitate, el nu este folosit în mod practic. Acest fapt poate duce la o reducere netă a solicitărilor la oscilații dealungul întregii perioade de lucru.

Stabiliți măsuri de siguranță suplimentare în scopul protecției utilizatorului de efectele oscilațiilor, de exemplu: inspecție de întreținere a uneltelor electrice și a celor de muncă, păstrarea caldă a mâinilor, organizarea proceselor de muncă.

**AVERTIZARE! Citiți toate indicațiile de siguranță și toate instrucțiunile.** Nerespectarea indicațiilor de avertizare și a instrucțiunilor poate provoca electrocutare, incendii și/sau răniri grave.  
**Păstrați toate indicațiile de avertizare și instrucțiunile în vederea utilizărilor viitoare.**

#### INSTRUCIUNI DE SECURITATE

**Purtați aparatoare de urechi. Expunerea la zgomot poate produce pierderea auzului. Utilizați manerele auxiliare livrate cu scula.** Pierderea controlului poate provoca rănirea persoanelor.

**Țineți aparatul de mânerule izolate când executați lucrări la care scula tăietoare poate nimeri peste conductori electrici ascunși sau peste cablul propriu.** Intrarea în contact a sculei tăietoare cu o linie electrică prin care circula curent poate pune sub tensiune și componente metalice ale aparatului și să ducă la electrocutare.

Aparatele utilizate în multe locații diferite inclusiv în aer liber trebuie conectate printr-un disjunctur (FI, RCD, PRCD) care previne comutarea.

Purtați întotdeauna ochelari de protecție atunci când utilizați mașina. Se recomandă purtarea mănușilor, a încălțămintei solide nealunecoase și sortului de protecție.

Rumegușul și spanul nu trebuie îndepărtate în timpul funcționării mașinii.

Întotdeauna scoateți stecarul din priză înainte de a efectua intervenții la mașină.

Conectați la rețea numai când mașina este oprită.

Păstrați cablul de alimentare la o distanță de aria de lucru a mașinii. Întotdeauna țineți cablul în spatele dvs.

Când se lucrează pe pereți, tavan sau dușumea, aveți grijă să evitați cablurile electrice și țevile de gaz sau de apă.

Praful care apare când se lucrează cu această sculă poate fi dăunător sănătății și prin urmare nu trebuie să atingă corpul. Purtați o mască de protecție corespunzătoare împotriva prafului.

#### CONDIȚII DE UTILIZARE SPECIFICATE

K950 K, K950 S: Ciocanul rotopercurtor poate fi utilizat pentru perforări, dăltuirii în rocă și găuriri în lemn, metal și plastic.

K900 K, K900 S: Ciocanul poate fi folosit pentru d/ltuit în piatr/ i beton.

Nu utilizați acest produs în alt mod decât cel stabilit pentru utilizare normală

#### DECLARAȚIE DE CONFORMITATE

Declarăm pe propria răspundere că produsul descris la "Date tehnice" este în concordanță cu toate prevederile legale relevante ale Directivei 2011/65/EU (RoHS), 2006/42/CE, 2004/108/CE, 2005/88/CE (K900 K, K900 S) și cu următoarele norme armonizate:

EN 60745-1:2009 + A11:2010

EN 60745-2-6:2010

EN 55014-1:2006 + A1:2009 + A2:2011

EN 55014-2:1997 + A1:2001 + A2:2008

EN 61000-3-2:2006 + A1:2009 + A2:2009

EN 61000-3-3:2008

Winnenden, 2012-12-13

*Alexander Krug*

Alexander Krug  
Managing Director

Împuternicit să elaboreze documentația tehnică.

Techtronic Industries GmbH  
Max-Eyth-Straße 10  
71364 Winnenden  
Germany

#### ALIMENTARE DE LA REȚEA

Conectați numai la priza de curent alternativ monofazat și numai la tensiunea specificată pe placuța indicatoare. Se permite conectarea și la prize fără împământare dacă modelul se conformează clasei II de securitate.

#### INTREȚINERE

Fantele de aerisire ale mașinii trebuie să fie menținute libere tot timpul

Nota importantă: dacă perile de carbon sunt uzate, în plus față de schimbarea perilor scula trebuie trimisă la service-ul post vânzare. Aceasta va asigura o viață lungă de lucru și performanțe de vârf.

Utilizați numai accesorii și piese de schimb Milwaukee.

Dacă unele din componente care nu au fost descrise trebuie înlocuite, vă rugăm contactați unul din agenții de service Milwaukee (vezi lista noastră pentru service / garanție)

Dacă este necesar, puteți solicita de la centrul dvs. de service pentru clienți sau direct la Techtronic Industries GmbH, Max-Eyth-Straße 10, 71364 Winnenden, Germania un desen descompus al aparatului prin indicarea tipului de aparat și a numărului cu șase cifre de pe plăci indicatoare.

#### SIMBOLURI

Va rugăm citiți cu atenție instrucțiunile înainte de pornirea mașinii

Întotdeauna scoateți stecherul din priză înainte de a efectua intervenții la mașină.

Accesorii - Nu este inclus în echipamentul standard, disponibil ca accesorii

Nu aruncați scule electrice în gunoierul menajer! Conform directivei europene nr. 2002/96/EC referitor la aparate electrice și electronice uzate precum și la transpunerea acesteia în drept național, sculele electrice trebuie colectate separat și introduse într-un circuit de reciclare ecologic.

Clasa de protecție II, scule electrice la care protecția împotriva curentării nu depinde numai de izolația de bază, ci la care se folosesc măsuri de protecție suplimentare precum izolația dublă sau izolația ranforsată.

68 ROMÂNIA

ROMÂNIA 69



ТЕХНИЧКИ ПОДАТОЦИ	K950 K	K950 S
Произведен број.....	4171 25 01.....	4171 57 01.....
.....	4171 35 01.....	4171 61 01.....
.....	4171 43 01.....	4171 63 01.....
.....	...000001-999999	...000001-999999
Определен внес.....	1700 W.....	1700 W.....
Излез.....	850 W.....	850 W.....
Брзина без оптоварување.....	125-250 min <sup>-1</sup> .....	125-250 min <sup>-1</sup> .....
Брзина при максимално оптоварување.....	125-250 min <sup>-1</sup> .....	125-250 min <sup>-1</sup> .....
Јачина на удар максимално под оптоварување.....	975-1950 min <sup>-1</sup> .....	975-1950 min <sup>-1</sup> .....
Единствена ударна сила според ЕПТА-процедурата 01/2003.....	20 J.....	20 J.....
Капацитет на дупчење во бетон.....	28-50 mm.....	28-50 mm.....
Тунелски бит во бетон, тули и варовни карпи.....	50-80 mm.....	50-80 mm.....
Јазолен сечач во бетон, тули и варовни карпи.....	45-150 mm.....	45-150 mm.....
Тежина според ЕПТА-процедурата 01/2003.....	11,8 kg.....	11,8 kg.....

#### Информации за бучавата

Измерените вредности се одредени согласно стандардот EN 60745.

A-оценетото ниво на бучава на апаратот типично изнесува:

Ниво на јачина на звук. (K=3dB(A))..... 100 dB (A)

Ниво на звучен притисок. (K=3dB(A))..... 111 dB (A)

#### Носте штитник за уши.

#### Информации за вибрации

Вкупни вибрациски вредности (векторски збир на трите насоки) пресметани согласно EN 60745.

Вибрациска емисиона вредност a<sub>n</sub>

Бушење во бетон со ударна дупчалка..... 12,5 m/s<sup>2</sup>..... 12,5 m/s<sup>2</sup>

Несигурност K = ..... 2 m/s<sup>2</sup>..... 2 m/s<sup>2</sup>

Длетување..... 11 m/s<sup>2</sup>..... 11 m/s<sup>2</sup>

Несигурност K = ..... 2 m/s<sup>2</sup>..... 2 m/s<sup>2</sup>

ТЕХНИЧКИ ПОДАТОЦИ	K900 K	K900 S
Произведен број.....	4427 82 01.....	4427 79 01.....
.....	4171 45 01.....	4171 67 01.....
.....	4171 50 01.....	4171 71 01.....
.....	4171 55 01.....	4171 73 01.....
.....	4171 53 01.....	.....
.....	...000001-999999	...000001-999999
Излез.....	1600 W.....	1600 W.....
Определен внес.....	800 W.....	800 W.....
Брзина без оптоварување.....	975-1950 min <sup>-1</sup> .....	975-1950 min <sup>-1</sup> .....
Единствена ударна сила според ЕПТА-процедурата 01/2003.....	20 J.....	20 J.....
Тежина според ЕПТА-процедурата 01/2003.....	11,0 kg.....	11,0 kg.....

#### Информации за бучавата K900 K, K900 S

A-оценетото ниво на бучава на апаратот типично изнесува..... 94 dB (A)..... 94 dB (A)

Мерените вредности се одредени согласно стандардот 2005/88/EG за ушите на корисникот.

2005/88/EC: Процедурата за потврдување на сообразноста се повикува на : Annex VI. Notified Body: VDE Testing and Certification Institute, Merianstr. 28, 63069 Offenbach, Germany

Измерено ниво на јачина на звук..... 102 dB (A)..... 102 dB (A)

Гарантирано ниво на јачина на звук..... 105 dB (A)..... 105 dB (A)

#### Носте штитник за уши.

#### Информации за вибрации

Вкупни вибрациски вредности (векторски збир на трите насоки) пресметани согласно EN 60745.

Вибрациска емисиона вредност a<sub>n</sub>

Длетување..... 11 m/s<sup>2</sup>..... 11 m/s<sup>2</sup>

Несигурност K = ..... 2 m/s<sup>2</sup>..... 2 m/s<sup>2</sup>

#### ПРЕДУПРЕДУВАЊЕ

Нивото на осцилација наведено во овие инструкции е измерено во согласност со мерните постапки нормирани во EN 60745 и може да биде употребено за меѓусебна споредба на електро-алати. Ова ниво може да се употреби и за привремена проценка на оптоварувањето на осцилацијата.

Наведеното ниво на осцилација ги репрезентира главните намени на електро-алатот. Но, доколку електро-алатот се употребува за други намени, со отстапувачки додатоци или со несоодветно одржување, нивото на осцилација може да отстапи. Тоа може значително да го зголеми оптоварувањето на осцилацијата за време на целиот работен период.

За прецизна проценка на оптоварувањето на осцилацијата предвид треба да бидат земени и времињата, во коишто апаратот е исклучен или работи, но фактички не се употребува. Тоа може значително да го намали оптоварувањето на осцилацијата за време на целиот работен период.

Утврдете дополнителни безбедносни мерки за заштита на операторот од влијанието на осцилациите, како на пример: одржување на електро-алатот и на додатоци кон електро-алатот, одржување топли раце, организација на работните процеси.

**▲ ВНИМАНИЕ! Прочитајте ги безбедносните напомени и упатства.** Заборавање на почитувањето на безбедносните упатства и инструкции можат да предизвикаат електричен удар, пожар и/или тешки повреди.  
**Сочувајте ги сите безбедносни упатства и инструкции за во иднина.**

#### УПАТСТВО ЗА УПОТРЕБА

**Носете штитник за уши. Изложеноста на бука може да предизвика губење на слухот.**

**Користете помошни рачки кои доаѓаат заедно со алатот.** Губењето контрола може да предизвика повреда.

**Држете го електричниот алат за издадените површини при изведување на операции при кои алатот за сечење можат да дојдат во контакт со скриени жици или сопствениот гајтан.** Контакт со жица под напон исто така ќе направи проводници од металните делови и оној кој ракува со алатот ќе доживее струен удар.

Уредите кои се користат на многу различни локации вклучувајќи и отворен простор мора да бидат поврзани за струја преку направата за поврзување (FI, RCD, PRCD).

Секогаш носете ракавици кога ја користите машината. Исто така препорачливо е да се носат очила, цврсти чевли кои не се лизгаат и престилка.

Прашината и струготините не смеат да се одстрануваат додека е машината работи.

Секогаш кога преземате активности врз машината исклучете го кабелот од струјата.

Чувајте го кабелот за напојување подалеку од работната површина. Секогаш водете го кабелот позади вас.

Кога работите на сидови, таван или под внимавајте да ги избегнете електричните, гасните и водоводни инсталации.

#### СПЕЦИФИЦИРАНИ УСЛОВИ НА УПОТРЕБА

K950 K, K950 S: Пневматскиот чекан може да биде употребуван универзално за дупчење, клесање во камен и бетон.

K900 K, K900 S: Чеканот може да се користи за клесање и демолирање.

Не го користете овој производ на било кој друг начин освен пропишаниот за нормална употреба.

#### ЕУ-ДЕКЛАРАЦИЈА ЗА СООБРАЗНОСТ

О своја сопствена одговорност изјавуваме дека под „Технички податоци“, опишаниот производ е во склад со сите релевантни прописи од регулативата 2011/65/EU (RoHS), 2006/42/EC, 2004/108/EC, 2005/88/EC (K900 K, K900 S) и следните хармонизирачки нормативни документи:

EN 60745-1:2009 + A1:2010

EN 60745-2-6:2010

EN 55014-1:2006 + A1:2009 + A2:2011

EN 55014-2:1997 + A1:2001 + A2:2008

EN 61000-3-2:2006 + A1:2009 + A2:2009

EN 61000-3-3:2008

Winnenden, 2012-12-13

*Alexander Krug*

Alexander Krug  
Managing Director



Ополномоштен за составување на техничката документација.

Techtronic Industries GmbH  
Max-Eyth-Straße 10  
71364 Winnenden  
Germany

#### ГЛАВНИ ВРСКИ

Да се спои само за една фаза АС коло и само на главниот напон наведен на плочката. Можно е исто така и поврзување на приклучок без заземјување доколку изведбата соодветствува на безбедност од 2 класа.

#### ОДРЖУВАЊЕ

Вентилациските отвори на машината мора да бидат комплетно отворени постојано.

Важна забелешка! Доколку карбонските четкички се истрошени, со цел истите да бидат заменети алатот треба да биде пратен во постпродажниот центар. Ова ќе обезбеди долг употребен век и највисоки перформанси.

Користете само Milwaukee додатоци и резервни делови. Доколку некои од компонентите кои не се опишани треба да бидат заменети, Ве молиме контактирајте ги сервисните агенти на Milwaukee (консултирајте ја листата на адреси).

При потреба може да се побара експлозионен цртеж на апаратот со наведување на машинскиот тип и шестоцифрениот број на табличката со учинокот или во Вашата корисничка служба или директно кај Techtronic Industries GmbH, Max-Eyth-Straße 10, 71364 Winnenden, Германија.

#### СИМБОЛИ



Ве молиме пред да ја стартувате машината обрнете внимание на упатствата за употреба.



Секогаш пред спроведување на каков и да е зафат врз машината исклучете го кабелот од приклучокот.



Дополнителна опрема - Не е вклучена во стандардната, а достапна е како додаток.



Не ги фрлајте електричните апарати заедно со другиот домашен отпад! Европска регулатива 2002/96/EC за одлагање на електрична и електронска опрема и се применува согласно националните закони. Електричните апарати кои го достигнале крајот на својот животен век мора да бидат одвоено собрани и вратени во соодветна рециклажна установа.



Заштитна класа II, електро-орудие, кај кое што заштитата од електричен удар не зависи само од базичната изолација туку каде што се применуваат и од дополнителни безбедносни мерки, како што е дуплата изолација или засилената изолација.



技术数据	K950 K	K950 S
生产号 .....	4171 25 01...	4171 57 01...
.....	4171 35 01...	4171 61 01...
.....	4171 43 01...	4171 63 01...
.....	...000001-999999	...000001-999999
输入功率 .....	1700 W	1700 W
输出功率 .....	850 W	850 W
无负载转速 .....	125-250 min <sup>-1</sup>	125-250 min <sup>-1</sup>
最高负载转速 .....	125-250 min <sup>-1</sup>	125-250 min <sup>-1</sup>
负载撞击次数最大 .....	975-1950 min <sup>-1</sup>	975-1950 min <sup>-1</sup>
单一冲击强度符合 EPTA-Procedure 05/2009 的规定 .....	20 J	20 J
钻孔直径在混凝土 .....	28-50 mm	28-50 mm
隧道钻头在混凝土、砖块和石灰砂石 .....	50-80 mm	50-80 mm
空心钻头在混凝土、砖块和石灰砂石 .....	45-150 mm	45-150 mm
重量符合EPTA – Procedure01 / 2003 .....	11,8 kg	11,8 kg

**噪音信息**  
 本测量值符合 EN 60 745 条文的规定。  
 器械的标准A-值噪音级为：  
 音压值 (K = 3 dB(A))..... 100 dB (A)  
 音量值 (K = 3 dB(A))..... 111 dB (A)  
 请戴上护耳罩！

**振动信息**  
 依欧盟EN 60745 标准确定的振荡总值（三方向矢量和）。  
 ah-振荡发射值:  
 钻孔混凝土: 12,5 m/s<sup>2</sup> ..... 12,5 m/s<sup>2</sup>  
 K - 不可靠性 = ..... 2 m/s<sup>2</sup> ..... 2 m/s<sup>2</sup>  
 凿控: ..... 11 m/s<sup>2</sup> ..... 11 m/s<sup>2</sup>  
 K - 不可靠性 = ..... 2 m/s<sup>2</sup> ..... 2 m/s<sup>2</sup>

技术数据	K900 K	K900 S
生产号 .....	4427 82 01...	4427 79 01...
.....	4171 45 01...	4171 67 01...
.....	4171 50 01...	4171 71 01...
.....	4171 55 01...	4171 73 01...
.....	4171 53 01...	4171 73 01...
.....	...000001-999999	...000001-999999
输入功率 .....	1600 W	1600 W
输出功率 .....	800 W	800 W
无负载转速 .....	975-1950 min <sup>-1</sup>	975-1950 min <sup>-1</sup>
单一冲击强度符合 EPTA-Procedure 05/2009 的规定 .....	20 J	20 J
重量符合EPTA – Procedure01 / 2003 .....	11,0 kg	11,0 kg

**噪音信息**  
 本机器的音压值通常为 ..... 94 dB (A) ..... 94 dB (A)  
 本值是在使用者耳旁测得，并符合 2000 / 14 / EC 条文的规定。  
 2000 / 14 / EC; 测量过程参考附录 VI。  
 有关的检验单位:  
 -VDE (德国电气协会) 的检验兼证书签发中心。  
 地址:  
 Merianstr. 28, 63069 Offenbach, 德国  
 测出的音量值 ..... 102 dB (A) ..... 102 dB (A)  
 保证的音量值 ..... 105 dB (A) ..... 105 dB (A)  
 请戴上护耳罩！

**振动信息**  
 依欧盟EN 60745 标准确定的振荡总值（三方向矢量和）。  
 a - 振荡发射值:  
 凿控: ..... 11 m/s<sup>2</sup> ..... 11 m/s<sup>2</sup>  
 K - 不可靠性 = ..... 2 m/s<sup>2</sup> ..... 2 m/s<sup>2</sup>

**注意**  
 本规程列出的依欧盟EN 60745 标准一项标准测量方法测量的振荡级也可用于电动工具比较并适合于临时振荡负荷估计。  
 该振荡级代表电动工具的主要应用。电动工具的其他应用，不正确的工作工具或欠缺维护可造成振荡级偏差。此可明确提高总工作期间的振荡负荷。  
 正确地估计一定工作期间的振荡负荷也要考虑到工具关闭或接通而不使用的期间。此可明确减少总工作期间的振荡负荷。  
 为提高操作人员对振荡作用的保护得规定补充安全措施：电动工具及工作工具的维护，温手，工作过程组织等。



**警告！** 务必阅读所有安全提示和指示。如未确实 遵循警告提示和指示，可能导致电击、火灾并且/ 或其他的严重伤害。妥善保存所有的警告提示和指示，以便日后查阅。

### 特殊安全指示

请戴上耳罩。工作噪音会损坏听力。  
 使用包含在供货范围中的辅助把手。如果工作时无法正确操控机器，容易造成严重的伤害。  
 切割工具会碰到隐藏电线或自己的电缆时，得将器械握住于其绝缘把手表面。切割工具接触到通电电线可将电压加到器械的金属部分并造成电击。  
 户外插座必须连接剩余电流防护开关。这是使用电器用品的基本规定。使用本公司机器时，务必遵守这项规定（FI, RCD, PRCD）。  
 操作机器时务必佩戴护目镜。最好也穿戴工作手套、坚固防滑的鞋具和工作围裙。  
 如果机器仍在运转，切勿清除其上的木屑或金属碎片。  
 在机器上进行任何修护工作之前，务必从插座上拔出插头。  
 确定机器已经关闭了才可以插上插头。  
 电源线必须远离机器的作业范围。操作机器时电线必须摆在机身后端。  
 在墙壁、天花板或地板工作时，必须特别注意被埋埋的电线、瓦斯管和水管。  
 工作尘往往有害健康，不可以让工作尘接触身体。工作时请佩戴合适的防尘面具。

### 正确地使用机器

**K950 K, K950 S:** 本电动锤钻功能广泛，包括锤钻石材 / 混凝土以及凿穿石材 / 混凝土。  
**K900 K, K900 S:** 可以使用本电锤在石材和混凝土上进行凿击作业。  
 请依照本说明书的指示使用此机器。

### 电源插头

只能连接单相交流电，只能连接机器铭牌上规定的电压。本机器也可以连接在没有接地装置的插座上，因为本机器的结构符合第II 级绝缘。

### 维修

机器的通气孔必须随时保持清洁。  
 如果碳刷耗尽了，除了更换碳刷之外，最好也把机器交给顾客服务中心进行全面检修。这样可以提高机器的使用寿命，并且可以保证随时能够使用机器。  
 只能使用 Milwaukee 的配件和 Milwaukee 的零件。缺少检修说明的机件如果损坏了，必须交给 Milwaukee 的顾客服务中心更换（参考手册“保证书 / 顾客服务中心地址”）。  
 如果需要机器的分解图，可以向您的顾客服务中心或直接向 Techtronic Industries GmbH, Max-Eyth-Straße 10, 71364 Winnenden, Germany 联络。索件时必须提供以下资料: 机型和机器铭牌上的六位数码。

### 符号

	使用本机器之前请详细阅读使用说明书。
	在机器上进行任何修护工作之前，务必从插座上拔出插头。
	配件 - 不包含在供货范围中。请另外从配件目录选购。
	不可以把损坏的电动工具丢弃在家庭垃圾中！根据被欧盟各国引用的有关旧电子机器的欧洲法规 2002/96/EC，必须另外收集旧电子机器，并以符合环保规定的方式回收再利用。
	保护等级II，具有不只依赖于基本绝缘，但依赖于双重或强化绝缘等保护措施电击保护的电动工具。



Copyright 2013  
Techtronic Industries GmbH  
Max-Eyth-Straße 10  
71364 Winnenden  
Germany  
+49 (0) 7195-12-0



(12.13)

**4931 4143 46**