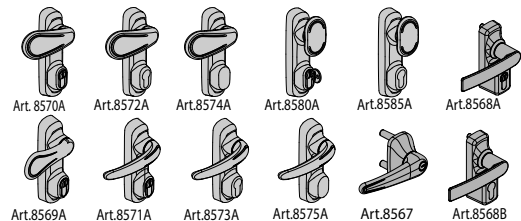
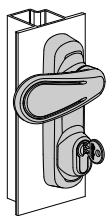
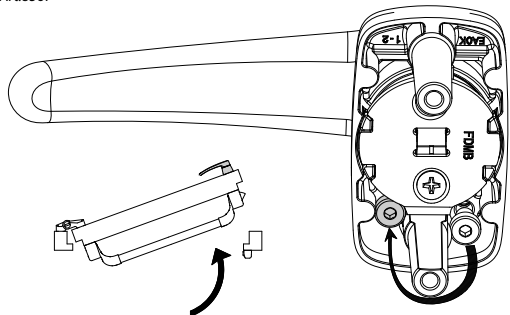


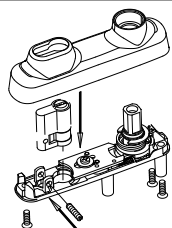
**OLTRE**



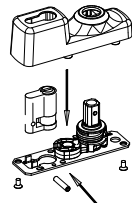
Art.8567



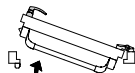
Art.8572A  
Art.8573A



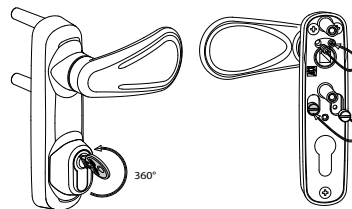
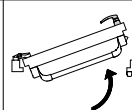
Art.8568B



**Standard**

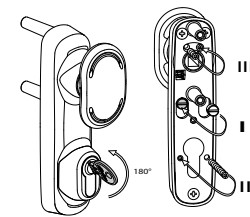


Art. 8567  
Art. 8568A  
Art. 8568B  
Art. 8569A  
Art. 8570A  
Art. 8571A  
Art. 8572A  
Art. 8573A  
Art. 8574A  
Art. 8575A  
Art. 8580A  
Art. 8585A

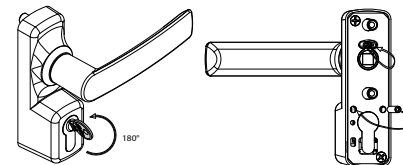


Art. 8569A Art.8573A  
Art. 8570A Art.8574A  
Art. 8571A Art.8575A  
Art. 8572A Art.8580A

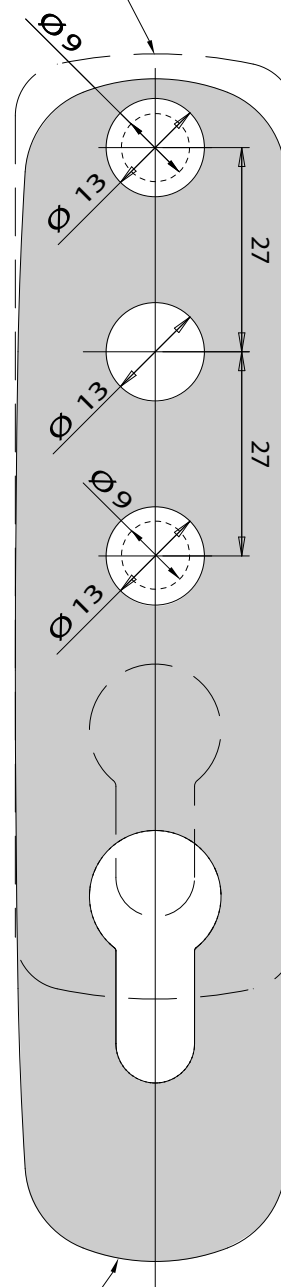
Art.8585A



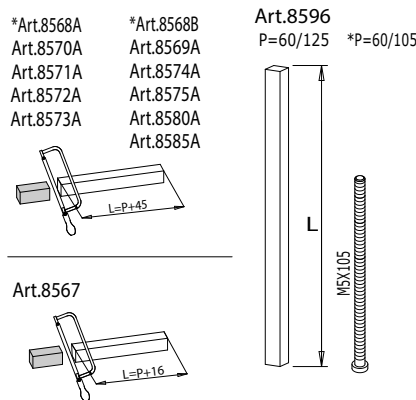
Art.8568A  
Art.8568B



Art.8568A  
Art.8568B



Art. 8569A Art.8573A  
Art. 8570A Art.8574A  
Art. 8571A Art.8575A  
Art. 8572A Art.8580A  
Art. 8585A



\*Art.8568A  
Art.8570A  
Art.8571A  
Art.8572A  
Art.8573A

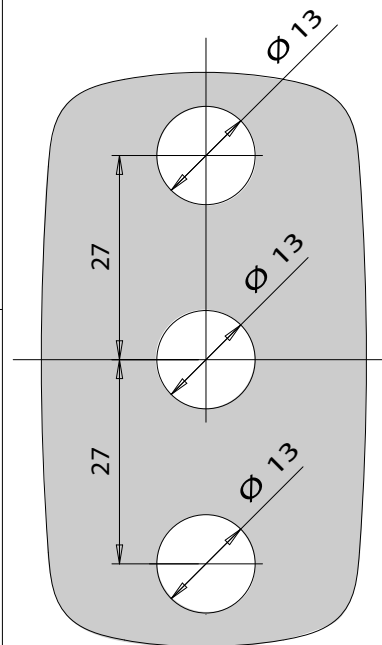
\*Art.8568B  
Art.8569A  
Art.8574A  
Art.8575A  
Art.8580A  
Art.8585A

Art.8596  
P=60/125

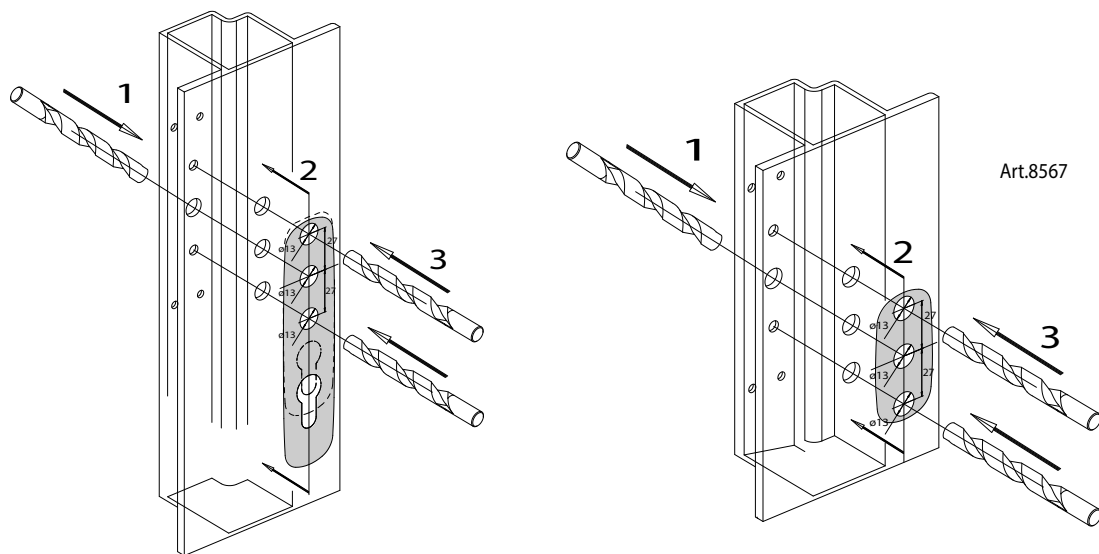
\*P=60/105

Art.8567

Art.8567



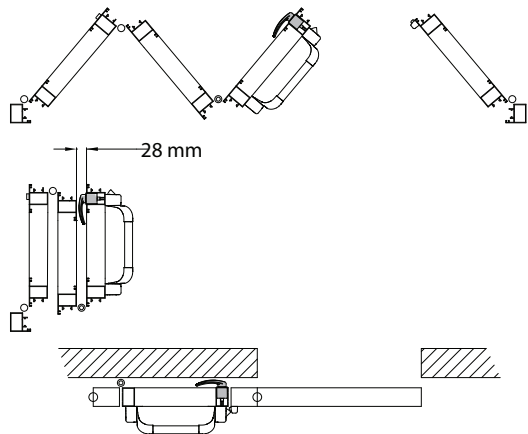
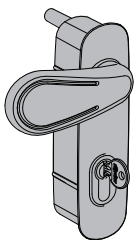
Art. 8568A  
Art. 8568B  
Art. 8569A  
Art. 8570A  
Art. 8571A  
Art. 8572A  
Art. 8573A  
Art. 8574A  
Art. 8575A  
Art. 8580A  
Art. 8585A



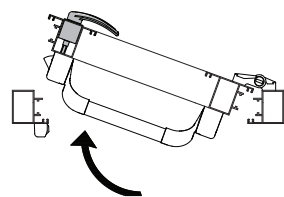
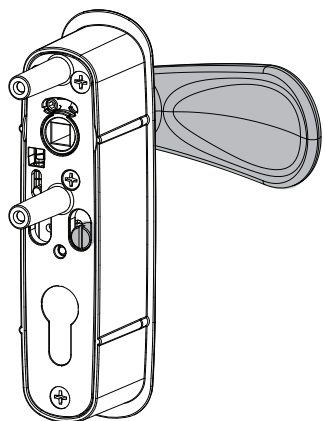
Art.8567

OLTRE

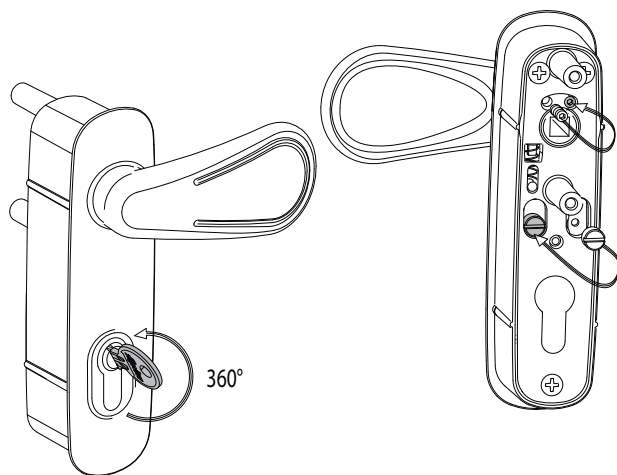
Art. 8577A



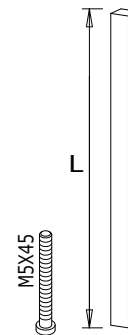
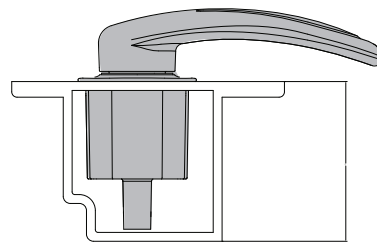
Standard



360°



P=40/100



Art.8596  
P=95/160

