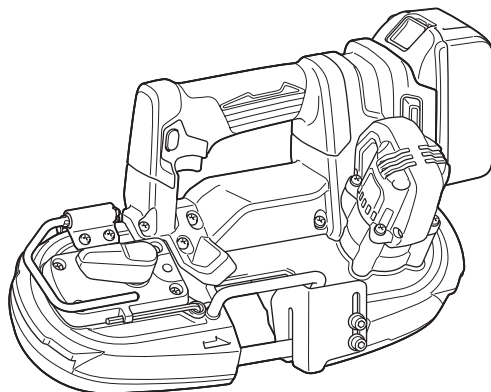
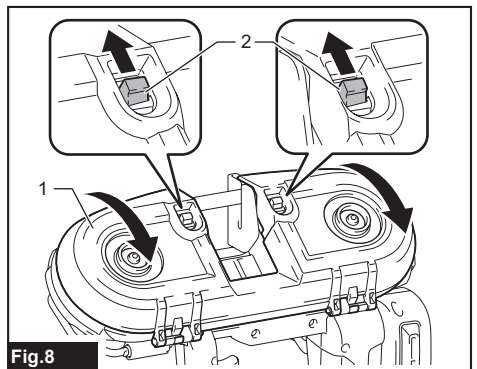
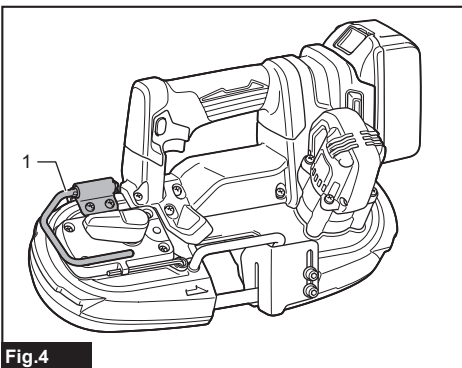
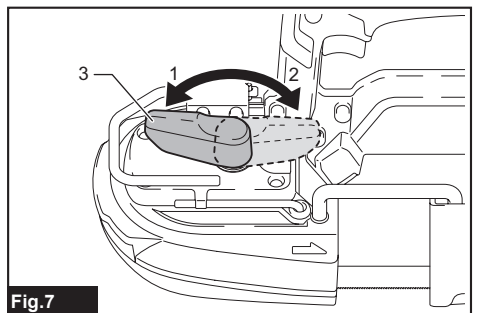
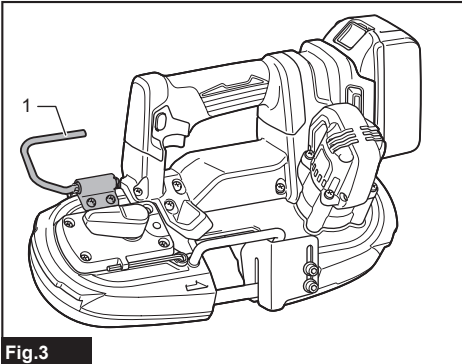
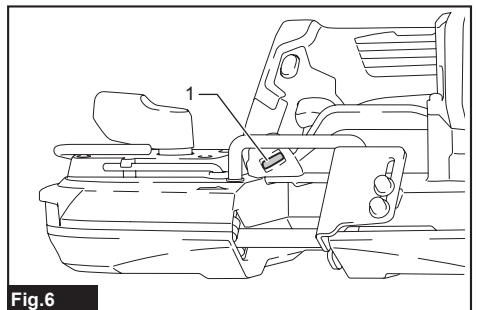
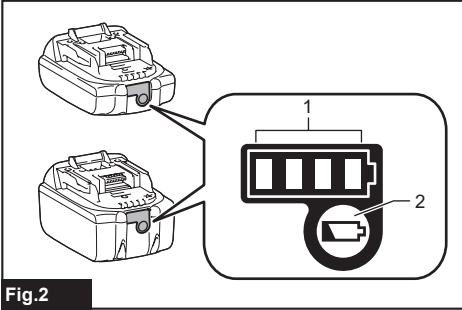
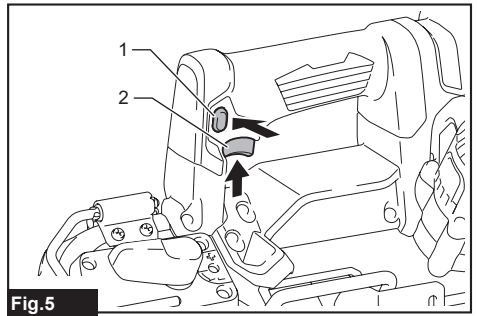
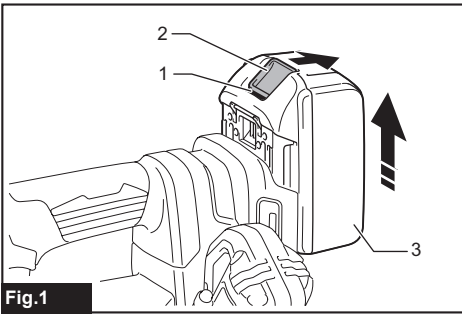




EN	Cordless Portable Band Saw	INSTRUCTION MANUAL	5
PL	Akumulatorowa przenośna piła taśmowa	INSTRUKCJA OBSŁUGI	11
HU	Akkumulátoros hordozható szalagfűrész	HASZNÁLATI KÉZIKÖNYV	17
SK	Prenosná akumulátorová pásová píla	NÁVOD NA OBSLUHU	23
CS	Přenosná akumulátorová pásová píla	NÁVOD K OBSLUZE	29
UK	Акумуляторна портативна стрічкова пила	ІНСТРУКЦІЯ З ЕКСПЛУАТАЦІЇ	35
RO	Ferăstrău portabil cu bandă cu acumulatori	MANUAL DE INSTRUCȚIUNI	42
DE	Akku-Bandsäge	BETRIEBSANLEITUNG	48

DPB184





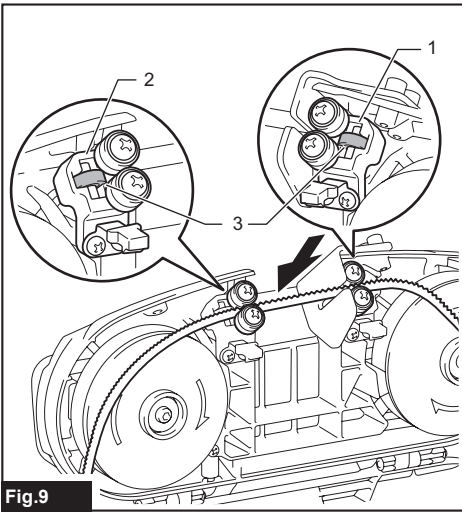


Fig.9

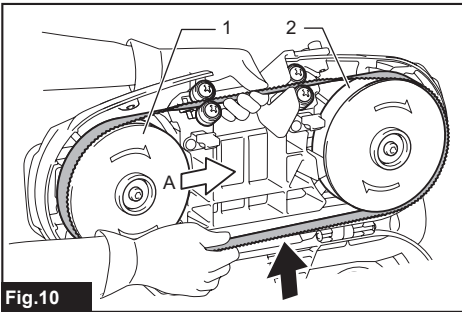


Fig.10

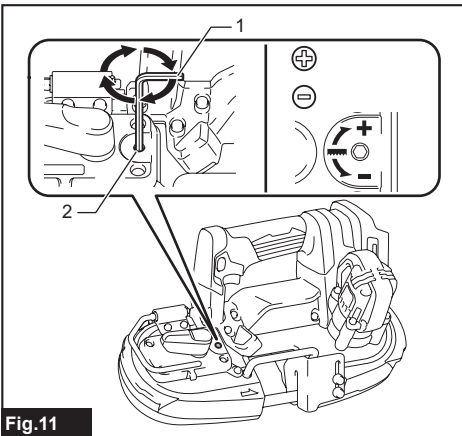


Fig.11

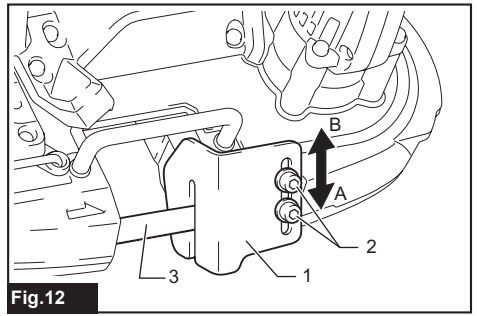


Fig.12

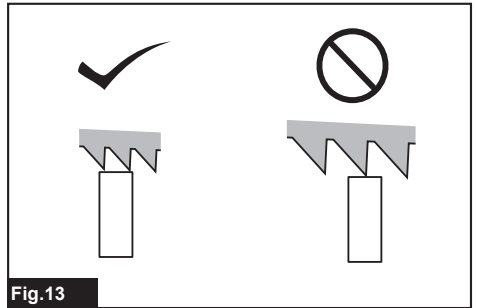


Fig.13

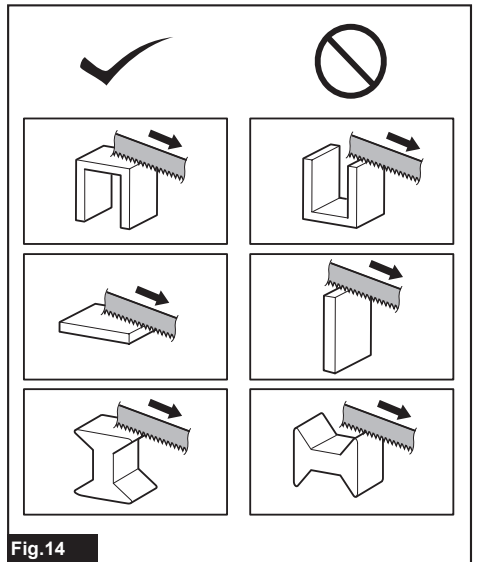


Fig.14

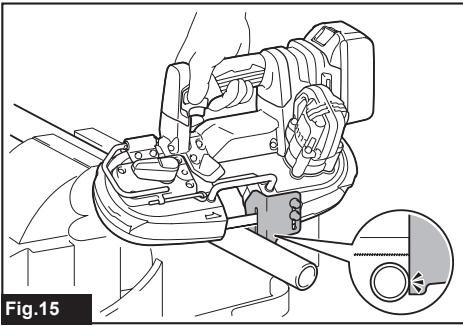


Fig.15

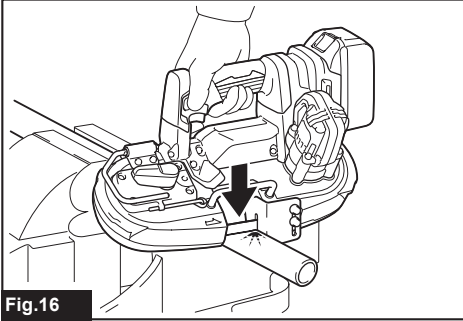


Fig.16

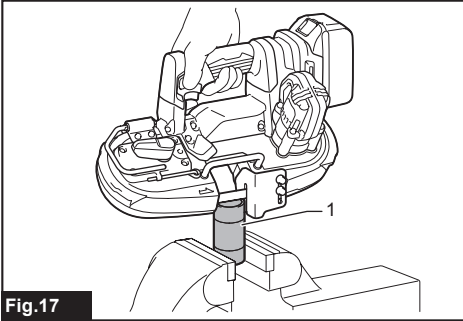


Fig.17

SPECIFICATIONS

Model:		DPB184
Max. cutting capacity	Round workpiece	51 mm dia.
	Rectangular workpiece	51 mm x 51 mm
Blade speed		0 - 3.2 m/s (0 - 190 m/min)
Blade size	Length	730 mm
	Width	13 mm
	Thickness	0.5 mm
Dimensions (L x W x H) without wheel cover		373 mm x 162 mm x 223 mm
Rated voltage		D.C. 18 V
Net weight without wheel cover		3.3 - 3.6 kg

- Due to our continuing program of research and development, the specifications herein are subject to change without notice.
- Specifications may differ from country to country.
- The weight may differ depending on the attachment(s), including the battery cartridge. The lightest and heaviest combination, according to EPTA-Procedure 01/2014, are shown in the table.

Applicable battery cartridge and charger

Battery cartridge	BL1815N / BL1820 / BL1820B / BL1830 / BL1830B / BL1840 / BL1840B / BL1850 / BL1850B / BL1860B
Charger	DC18RC / DC18RD / DC18RE / DC18SD / DC18SE / DC18SF / DC18SH

- Some of the battery cartridges and chargers listed above may not be available depending on your region of residence.

⚠ WARNING: Only use the battery cartridges and chargers listed above. Use of any other battery cartridges and chargers may cause injury and/or fire.

Intended use

The tool is intended for cutting in plastic and ferrous materials.

Noise

The typical A-weighted noise level determined according to EN60745-2-20:

Sound pressure level (L_{pA}) : 80 dB(A)

Uncertainty (K) : 3 dB(A)

The noise level under working may exceed 80 dB (A).

NOTE: The declared noise emission value(s) has been measured in accordance with a standard test method and may be used for comparing one tool with another.

NOTE: The declared noise emission value(s) may also be used in a preliminary assessment of exposure.

⚠ WARNING: Wear ear protection.

⚠ WARNING: The noise emission during actual use of the power tool can differ from the declared value(s) depending on the ways in which the tool is used especially what kind of workpiece is processed.

⚠ WARNING: Be sure to identify safety measures to protect the operator that are based on an estimation of exposure in the actual conditions of use (taking account of all parts of the operating cycle such as the times when the tool is switched off and when it is running idle in addition to the trigger time).

Vibration

The vibration total value (tri-axial vector sum) determined according to EN60745-2-20:

Work mode: cutting metal

Vibration emission ($a_{h,M}$) : 2.5 m/s² or less

Uncertainty (K) : 1.5 m/s²

NOTE: The declared vibration total value(s) has been measured in accordance with a standard test method and may be used for comparing one tool with another.

NOTE: The declared vibration total value(s) may also be used in a preliminary assessment of exposure.

⚠ WARNING: The vibration emission during actual use of the power tool can differ from the declared value(s) depending on the ways in which the tool is used especially what kind of workpiece is processed.

⚠ WARNING: Be sure to identify safety measures to protect the operator that are based on an estimation of exposure in the actual conditions of use (taking account of all parts of the operating cycle such as the times when the tool is switched off and when it is running idle in addition to the trigger time).

EC Declaration of Conformity

For European countries only

The EC declaration of conformity is included as Annex A to this instruction manual.

SAFETY WARNINGS

General power tool safety warnings

⚠ WARNING: Read all safety warnings, instructions, illustrations and specifications provided with this power tool. Failure to follow all instructions listed below may result in electric shock, fire and/or serious injury.

Save all warnings and instructions for future reference.

The term "power tool" in the warnings refers to your mains-operated (corded) power tool or battery-operated (cordless) power tool.

Cordless Portable Band Saw Safety Warnings

1. Hold power tool by insulated gripping surfaces, when performing an operation where the cutting accessory may contact hidden wiring. Cutting accessories contacting a "live" wire may make exposed metal parts of the power tool "live" and could give the operator an electric shock.
2. Use only blades which are listed in "SPECIFICATIONS".
3. Check the blade carefully for cracks or damage before operation. Replace cracked or damaged blade immediately.
4. Secure the workpiece firmly. When cutting a bundle of workpieces, be sure that all workpieces are secured together firmly before cutting.
5. Cutting workpieces covered with oil can cause the blade to come off unexpectedly. Wipe off all excess oil from workpieces before cutting.
6. Never use the cutting oil as a cutting lubricant. Use only Makita cutting wax.
7. Hold the tool firmly.
8. Keep hands away from rotating parts.
9. When cutting metal, be cautious of hot flying chips.
10. Do not leave the tool running unattended.
11. Do not touch the blade or the workpiece immediately after operation; they may be extremely hot and could burn your skin.

Important safety instructions for battery cartridge

1. Before using battery cartridge, read all instructions and cautionary markings on (1) battery charger, (2) battery, and (3) product using battery.
2. Do not disassemble battery cartridge.
3. If operating time has become excessively shorter, stop operating immediately. It may result in a risk of overheating, possible burns and even an explosion.
4. If electrolyte gets into your eyes, rinse them out with clear water and seek medical attention right away. It may result in loss of your eyesight.
5. Do not short the battery cartridge:
 - (1) Do not touch the terminals with any conductive material.
 - (2) Avoid storing battery cartridge in a container with other metal objects such as nails, coins, etc.
 - (3) Do not expose battery cartridge to water or rain.

A battery short can cause a large current flow, overheating, possible burns and even a breakdown.

6. Do not store the tool and battery cartridge in locations where the temperature may reach or exceed 50 °C (122 °F).
7. Do not incinerate the battery cartridge even if it is severely damaged or is completely worn out. The battery cartridge can explode in a fire.
8. Be careful not to drop or strike battery.
9. Do not use a damaged battery.
10. The contained lithium-ion batteries are subject to the Dangerous Goods Legislation requirements. For commercial transports e.g. by third parties, forwarding agents, special requirement on packaging and labeling must be observed. For preparation of the item being shipped, consulting an expert for hazardous material is required. Please also observe possibly more detailed national regulations.

Tape or mask off open contacts and pack up the battery in such a manner that it cannot move around in the packaging.
11. When disposing the battery cartridge, remove it from the tool and dispose of it in a safe place. Follow your local regulations relating to disposal of battery.
12. Use the batteries only with the products specified by Makita. Installing the batteries to non-compliant products may result in a fire, excessive heat, explosion, or leak of electrolyte.
13. If the tool is not used for a long period of time, the battery must be removed from the tool.

SAVE THESE INSTRUCTIONS.

⚠ CAUTION: Only use genuine Makita batteries. Use of non-genuine Makita batteries, or batteries that have been altered, may result in the battery bursting causing fires, personal injury and damage. It will also void the Makita warranty for the Makita tool and charger.

Tips for maintaining maximum battery life

1. Charge the battery cartridge before completely discharged. Always stop tool operation and charge the battery cartridge when you notice less tool power.
2. Never recharge a fully charged battery cartridge. Overcharging shortens the battery service life.
3. Charge the battery cartridge with room temperature at 10 °C - 40 °C (50 °F - 104 °F). Let a hot battery cartridge cool down before charging it.
4. Charge the battery cartridge if you do not use it for a long period (more than six months).

FUNCTIONAL DESCRIPTION

CAUTION: Always be sure that the tool is switched off and the battery cartridge is removed before adjusting or checking function on the tool.

Installing or removing battery cartridge

CAUTION: Always switch off the tool before installing or removing of the battery cartridge.

CAUTION: Hold the tool and the battery cartridge firmly when installing or removing battery cartridge. Failure to hold the tool and the battery cartridge firmly may cause them to slip off your hands and result in damage to the tool and battery cartridge and a personal injury.

► Fig.1: 1. Red indicator 2. Button 3. Battery cartridge

To remove the battery cartridge, slide it from the tool while sliding the button on the front of the cartridge.

To install the battery cartridge, align the tongue on the battery cartridge with the groove in the housing and slip it into place. Insert it all the way until it locks in place with a little click. If you can see the red indicator on the upper side of the button, it is not locked completely.

CAUTION: Always install the battery cartridge fully until the red indicator cannot be seen. If not, it may accidentally fall out of the tool, causing injury to you or someone around you.

























CAUTION: Do not install the battery cartridge forcibly. If the cartridge does not slide in easily, it is not being inserted correctly.

Indicating the remaining battery capacity

Only for battery cartridges with the indicator

► Fig.2: 1. Indicator lamps 2. Check button

Press the check button on the battery cartridge to indicate the remaining battery capacity. The indicator lamps light up for a few seconds.

Indicator lamps			Remaining capacity
 Lighted	 Off	 Blinking	
			75% to 100%
			50% to 75%
			25% to 50%
			0% to 25%
			Charge the battery.
			The battery may have malfunctioned.
			

NOTE: Depending on the conditions of use and the ambient temperature, the indication may differ slightly from the actual capacity.

Tool / battery protection system

The tool is equipped with a tool/battery protection system. This system automatically cuts off power to the motor to extend tool and battery life. The tool will automatically stop during operation if the tool or battery is placed under one of the following conditions:

Overload protection

When the battery is operated in a manner that causes it to draw an abnormally high current, the tool automatically stops without any indication. In this situation, turn the tool off and stop the application that caused the tool to become overloaded. Then turn the tool on to restart.

Overheat protection

When the tool is overheated, the tool stops automatically and the lamp starts blinking. In this situation, let the tool and battery cool before turning the tool on again.

Overdischarge protection

When the battery capacity is not enough, the tool stops automatically. In this case, remove the battery from the tool and charge the battery.

Hook

⚠ CAUTION: Never hang the tool at high or potentially unstable location.

The hook is convenient for hanging the tool temporarily. To use the hook, simply lift up hook until it snaps into the open position.

When not in use, always lower hook until it snaps into the closed position.

Open position

▶ Fig.3: 1. Hook

Closed position

▶ Fig.4: 1. Hook

Switch action

⚠ WARNING: Before installing the battery cartridge into the tool, always check to see that the switch trigger actuates properly and returns to the "OFF" position when released.

⚠ WARNING: NEVER defeat the lock-off button by taping down or some other means. A switch with a negated lock-off button may result in unintentional operation and serious personal injury.

⚠ WARNING: NEVER use the tool if it runs when you simply pull the switch trigger without pressing the lock-off button. A switch in need of repair may result in unintentional operation and serious personal injury. Return tool to a Makita service center for proper repairs BEFORE further usage.

To prevent the switch trigger from being accidentally pulled, a lock-off button is provided. To start the tool, depress the lock-off button and pull the switch trigger. Tool speed is increased by increasing pressure on the switch trigger. Release the switch trigger to stop.

▶ Fig.5: 1. Lock-off button 2. Switch trigger

Lighting up the front lamp

⚠ CAUTION: Do not look in the light or see the source of light directly.

Pull the switch trigger to light up the lamp. The lamp keeps on lighting while the switch trigger is being pulled. The lamp goes out approximately 10 seconds after releasing the switch trigger.

▶ Fig.6: 1. Lamp

NOTE: Do not apply impact to the lamp, which may cause damage or shortened service time to it.

NOTE: Use a dry cloth to wipe the dirt off the lens of the lamp. Be careful not to scratch the lens of lamp, or it may lower the illumination.

NOTE: When the tool is overheated, the lamp blinks for one minute, and then goes off. In this case, cool down the tool before operating again.

ASSEMBLY

⚠ CAUTION: Always be sure that the tool is switched off and the battery cartridge is removed before carrying out any work on the tool.

Installing or removing the band saw blade

⚠ CAUTION: Oil on the band saw blade can cause the blade to slip or come off unexpectedly. Wipe off all excess oil with a cloth before installing the band saw blade.

⚠ CAUTION: Always wear protective gloves when handling the band saw blade.

⚠ CAUTION: Use caution when handling the band saw blade to avoid cut by the sharp edge of the blade teeth.

⚠ CAUTION: Keep your body away from the band saw blade when checking the blade movement.

⚠ CAUTION: When turning the blade tightening lever clockwise to release the tension on the band saw blade, point the tool downward because the band saw blade may come off unexpectedly.

To install the band saw blade:

1. Turn the blade tightening lever clockwise until it stops to loosen the wheel.
▶ Fig.7: 1. Tighten 2. Loosen 3. Blade tightening lever
2. Open the wheel cover.
▶ Fig.8: 1. Wheel cover 2. Hook

NOTICE: When opening the wheel cover, open and release both the hooks simultaneously. Opening only one hook may cause crack on the wheel cover.

3. Match the direction of the arrows on the band saw blade and on the wheels.
4. Insert the non-serrated side of the band saw blade into the upper holder and lower holder. Make sure the band saw blade in both upper and lower holder touches to the bottom bearings.
▶ Fig.9: 1. Lower holder 2. Upper holder 3. Bottom bearing
5. With pressing the middle part of the band saw blade, position the blade around one wheel. Moving the wheel to A side makes it easier to do so.
▶ Fig.10: 1. Wheel 2. Rubber tire
6. Position the band saw blade on the other wheel similarly.
7. Position the edge of the band saw blade on rubber tire.
8. Hold the band saw blade in place and turn the blade tightening lever counterclockwise until it stops. This places proper tension on the band saw blade.
9. Close the wheel cover.

NOTICE: Make sure that the band saw blade is correctly positioned around the wheels.

NOTICE: Start and stop the tool two or three times to make sure that the band saw blade runs properly on the wheels.

To remove the band saw blade, follow the installation procedure in reverse.

Adjusting blade track

When the band saw blade tends to slip out from the wheel, adjust the blade track.

To adjust, insert the hex wrench into the adjustment hole as illustrated and make a quarter turn clockwise. After that, check if the band saw blade does not slip out. If it still slips out, make another quarter turn and check until the band saw blade does not slip out.

► Fig.11: 1. Hex wrench 2. Adjustment hole

Adjusting the stopper plate position

In the ordinary operation, protrude the stopper plate to the A side fully.

When the stopper plate hits against the obstacles such as a wall or the like at the finishing of a cut, loosen two bolts and slide it to the B side in the figure.

After sliding the stopper plate, secure it by tightening two bolts firmly.

► Fig.12: 1. Stopper plate 2. Bolts 3. Band saw blade

OPERATION

CAUTION: Always insert the battery cartridge all the way until it locks in place. If you can see the red indicator on the upper side of the button, it is not locked completely. Insert it fully until the red indicator cannot be seen. If not, it may accidentally fall out of the tool, causing injury to you or someone around you.

CAUTION: Always hold the handle. Never hold the tool body or guards. Hands may slip from these locations and contact with the band saw blade. It may result in personal injury.

CAUTION: Make sure that the wheel cover is closed securely.

CAUTION: Make sure to hold the tool firmly when turning on or off the tool or when cutting. Otherwise the tool may fall and cause personal injury.

CAUTION: Always wear gloves to protect your hands from hot flying chips when cutting metal.

CAUTION: Keep your body and face away from the band saw blade and flying chips.

For stable cut, always keep at least two teeth in the cut.

► Fig.13

Apply the band saw blade to the suitable cutting position on the workpiece as illustrated.

► Fig.14

1. Hold the tool as illustrated.

Before turning on the tool, always make sure that the stopper plate contacts the workpiece and the band saw blade is clear of the workpiece.

► Fig.15

2. Turn the tool on. Gently lower the blade into the cut. The weight of the tool or slightly pressing the tool will supply adequate pressure for the cutting. Do not force the tool.

► Fig.16

3. As you reach the end of a cut, release pressure and lift the tool slightly so that the tool will not fall against the workpiece.

NOTICE: Applying excessive pressure to the tool or twisting of the band saw blade may cause bevel cutting or damage to the blade.

NOTICE: When not using the tool for a long period of time, remove the band saw blade from the tool.

NOTICE: If the tool is operated continuously until the battery cartridge has discharged, allow the tool to rest for 15 minutes before proceeding with a fresh battery.

Cutting lubricant

Optional accessory

CAUTION: Never use cutting oil or apply excessive amount of wax to the band saw blade. It may cause the blade to slip or come off unexpectedly.

CAUTION: When cutting cast iron, do not use any cutting wax.

When cutting metals, use Makita cutting wax as a cutting lubricant. To apply the cutting wax to the teeth of the band saw blade, remove a cap of the cutting wax, start the tool and cut into the cutting wax as illustrated.

► Fig.17: 1. Cutting wax

MAINTENANCE

CAUTION: Always be sure that the tool is switched off and the battery cartridge is removed before attempting to perform inspection or maintenance.

NOTICE: Never use gasoline, benzine, thinner, alcohol or the like. Discoloration, deformation or cracks may result.

To maintain product SAFETY and RELIABILITY, repairs, any other maintenance or adjustment should be performed by Makita Authorized or Factory Service Centers, always using Makita replacement parts.

Cleaning

⚠ CAUTION: Wax and chips on the rubber tires on the wheel may cause the band saw blade to slip and come off unexpectedly. Use a dry cloth to remove wax and chips from the rubber tires.

After use, remove wax, chips and dust from the tool, rubber tires on the wheel and the band saw blade.

Replacing rubber tires on the wheels

Replace the rubber tires when the band saw blade slips or does not track properly because of badly worn tires. To replace the rubber tire, ask for the Makita Authorized or Factory Service Centers.

OPTIONAL ACCESSORIES

⚠ CAUTION: These accessories or attachments are recommended for use with your Makita tool specified in this manual. The use of any other accessories or attachments might present a risk of injury to persons. Only use accessory or attachment for its stated purpose.

If you need any assistance for more details regarding these accessories, ask your local Makita Service Center.

- Makita genuine battery and charger
- Band saw blades
- Cutting wax

NOTE: Some items in the list may be included in the tool package as standard accessories. They may differ from country to country.

DANE TECHNICZNE

Model:		DPB184
Maks. zakres cięcia	Element okrągły	śr. 51 mm
	Element prostokątny	51 mm x 51 mm
Prędkość brzeszczotu		0–3,2 m/s (0–190 m/min)
Rozmiar brzeszczotu	Długość	730 mm
	Szerokość	13 mm
	Grubość	0,5 mm
Wymiary (dług. x szer. x wys.) bez osłony kół		373 mm x 162 mm x 223 mm
Napięcie znamionowe		Prąd stały 18 V
Masa netto bez osłony kół		3,3–3,6 kg

- W związku ze stale prowadzonym przez naszą firmę programem badawczo-rozwojowym niniejsze dane mogą ulec zmianom bez wcześniejszego powiadomienia.
- Dane techniczne mogą różnić się w zależności od kraju.
- Masa może być różna w zależności od osprzętu, w tym akumulatora. W tabeli przedstawiona jest najlżejsza i najcięższa konfiguracja, zgodnie z procedurą EPTA 01/2014.

Kompatybilne akumulatory i ładowarki

Akumulator	BL1815N / BL1820 / BL1820B / BL1830 / BL1830B / BL1840 / BL1840B / BL1850 / BL1850B / BL1860B
Ładowarka	DC18RC / DC18RD / DC18RE / DC18SD / DC18SE / DC18SF / DC18SH

- Pewne z wymienionych powyżej akumulatorów i ładowarek mogą być niedostępne w regionie zamieszkania użytkownika.

⚠ OSTRZEŻENIE: Należy używać wyłącznie akumulatorów i ładowarek wymienionych powyżej. Używanie innych akumulatorów i ładowarek może stwarzać ryzyko wystąpienia obrażeń ciała lub pożaru.

Przeznaczenie

Narzędzie jest przeznaczone do cięcia tworzyw sztucznych i materiałów żelaznych.

Hałas

Typowy równoważny poziom dźwięku A określony w oparciu o normę EN60745-2-20:

Poziom ciśnienia akustycznego (L_{pA}): 80 dB(A)

Niepewność (K): 3 dB(A)

Poziom hałasu podczas pracy może przekraczać 80 dB (A).

WSKAZÓWKA: Deklarowana wartość emisji hałasu została zmierzona zgodnie ze standardową metodą testową i można ją wykorzystać do porównywania narzędzi.

WSKAZÓWKA: Deklarowaną wartość emisji hałasu można także wykorzystać we wstępnej ocenie narażenia.

⚠ OSTRZEŻENIE: Nośić ochronniki słuchu.

⚠ OSTRZEŻENIE: Poziom hałasu wytwarzanego podczas rzeczywistego użytkowania elektronarzędzia może się różnić od wartości deklarowanej w zależności od sposobu użytkowania narzędzia, a w szczególności od rodzaju obrabianego elementu.

⚠ OSTRZEŻENIE: W oparciu o szacowane narażenie w rzeczywistych warunkach użytkowania należy określić środki bezpieczeństwa w celu zapewnienia ochrony operatora (uwzględniając wszystkie elementy cyklu działania, tj. czas, kiedy narzędzie jest wyłączone i kiedy pracuje na biegu jałowym, a także czas, kiedy jest włączone).

Drgania

Całkowita wartość poziomu drgań (suma wektorów w 3 osiach) określona zgodnie z normą EN60745-2-20:

Tryb pracy: cięcie metalu

Emisja drgań ($a_{h,M}$): 2,5 m/s² lub mniej

Niepewność (K): 1,5 m/s²

WSKAZÓWKA: Deklarowana wartość poziomu drgań została zmierzona zgodnie ze standardową metodą testową i można ją wykorzystać do porównywania narzędzi.

WSKAZÓWKA: Deklarowaną wartość poziomu drgań można także wykorzystać we wstępnej ocenie narażenia.

⚠️ OSTRZEŻENIE: Drgania wytwarzane podczas rzeczywistego użytkowania elektronarzędzia mogą się różnić od wartości deklarowanej w zależności od sposobu użytkowania narzędzia, a w szczególności od rodzaju obrabianego elementu.

⚠️ OSTRZEŻENIE: W oparciu o szacowane narażenie w rzeczywistych warunkach użytkowania należy określić środki bezpieczeństwa w celu zapewnienia ochrony operatora (uwzględniając wszystkie elementy cyklu działania, tj. czas, kiedy narzędzie jest wyłączone i kiedy pracuje na biegu jałowym, a także czas, kiedy jest włączone).

Deklaracja zgodności WE

Dotyczy tylko krajów europejskich

Deklaracja zgodności WE jest dołączona jako załącznik A do niniejszej instrukcji obsługi.

OSTRZEŻENIA DOTYCZĄCE BEZPIECZEŃSTWA

Ogólne zasady bezpiecznej eksploatacji elektronarzędzi

⚠️ OSTRZEŻENIE: Należy zapoznać się z ostrzeżeniami dotyczącymi bezpieczeństwa, instrukcjami, ilustracjami i danymi technicznymi dołączonymi do tego elektronarzędzia. Niezastosowanie się do podanych poniżej instrukcji może prowadzić do porażenia prądem, pożaru i/lub poważnych obrażeń ciała.

Wszystkie ostrzeżenia i instrukcje należy zachować do wykorzystania w przyszłości.

Pojęcie „elektonarzędzie”, występujące w wymienionych tu ostrzeżeniach, odnosi się do elektronarzędzia zasilanego z sieci elektrycznej (z przewodem zasilającym) lub do elektronarzędzia akumulatorowego (bez przewodu zasilającego).

Ostrzeżenia dotyczące bezpieczeństwa dla akumulatorowej przenośnej piły taśmowej

1. Trzymać elektronarzędzie za izolowane powierzchnie rękojeści podczas wykonywania prac, przy których osprzęt tnący mógłby dotknąć niewidocznej instalacji elektrycznej. Zetknięcie osprzętu tnącego z przewodem elektrycznym znajdującym się pod napięciem może sprawić, że odsłonięte elementy metalowe elektronarzędzia również znajdą się pod napięciem, grożąc porażeniem operatora prądem elektrycznym.

2. Używać wyłącznie brzeszczotów wymiennych w „DANYCH TECHNICZNYCH”.
3. Przed przystąpieniem do pracy należy dokładnie sprawdzić brzeszczot pod kątem ewentualnych pęknięć lub uszkodzeń. Pęknięty lub uszkodzony brzeszczot należy niezwłocznie wymienić.
4. Solidnie zamocować obrabiany element. W przypadku cięcia kilku elementów naraz należy upewnić się, że wszystkie obrabiane elementy są do siebie mocno przymocowane.
5. Przecinanie elementów pokrytych olejem może spowodować nieoczekiwane zsuniecie się brzeszczotu. Przed przystąpieniem do cięcia należy zetrzeć nadmiar oleju z obrabianych elementów.
6. Nigdy nie używać cieczy chłodząco-smarującej jako smaru do cięcia. Należy używać wyłącznie wosku do cięcia firmy Makita.
7. Narzędzie należy trzymać mocno i pewnie.
8. Trzymać ręce z dala od części obrotowych.
9. Podczas cięcia metalu uważać na odskakujące gorące wióry.
10. Nie pozostawiać włączonego narzędzia bez nadzoru.
11. Nie dotykać brzeszczotu ani obrabianego elementu bezpośrednio po zakończeniu pracy. Mogą one być bardzo gorące i spowodować oparzenie skóry.

Ważne zasady bezpieczeństwa dotyczące akumulatora

1. Przed użyciem akumulatora zapoznać się ze wszystkimi instrukcjami i znakami ostrzegawczymi na (1) ładowarce, (2) akumulatorze i (3) produkcie, w którym będzie używany akumulator.
2. Akumulatora nie wolno rozbierać.
3. Jeśli czas działania uległ znacznemu skróceniu, należy natychmiast przerwać pracę. Może bowiem dojść do przegrzania, ewentualnych poparzeń, a nawet eksplozji.
4. W przypadku przedostania się elektrolitu do oczu, przemyć je czystą wodą i niezwłocznie uzyskać pomoc lekarską. Może on bowiem spowodować utratę wzroku.
5. Nie doprowadzać do zwarcia akumulatora:
 - (1) Nie dotykać styków materiałami przewodzącymi prąd.
 - (2) Unikać przechowywania akumulatora w pojemniku z metalowymi przedmiotami, takimi jak gwoździe, monety itp.
 - (3) Chronić akumulator przed deszczem lub wodą.Zwarcie prowadzi do przepływu prądu elektrycznego o dużym natężeniu i przegrzania akumulatora, co w konsekwencji może grozić poparzeniami a nawet awarią urządzenia.
6. Narzędzia i akumulatora nie wolno przechowywać w miejscach, w których temperatura osiąga bądź przekracza 50°C (122°F).
7. Akumulatorów nie wolno spalać, również tych poważnie uszkodzonych lub całkowicie zużytych. Akumulator może eksplodować w ogniu.
8. Chronić akumulator przed upadkiem i uderzeniami.

9. Nie wolno używać uszkodzonego akumulatora.

10. Stanowiące wyposażenie akumulatory litowo-jonowe podlegają przepisom dotyczącym produktów niebezpiecznych.

Na potrzeby transportu komercyjnego, np. świadczonych przez firmy trzecie czy spedycyjne, należy przestrzegać specjalnych wymagań w zakresie pakowania i oznaczania etykietami. Przygotowanie produktu do wysyłki wymaga skonsultowania się ze specjalistą ds. materiałów niebezpiecznych. Należy także przestrzegać przepisów krajowych, które mogą być bardziej szczegółowe.

Zakleić taśmą lub zaślepić otwarte styki akumulatora oraz zabezpieczyć go, aby nie mógł się przesunąć w opakowaniu.

11. Jeśli zajdzie konieczność utylizacji akumulatora, należy wyjąć go z narzędzia i przekazać w bezpieczne miejsce. Postępować zgodnie z przepisami lokalnymi dotyczącymi utylizacji akumulatorów.

12. Używać akumulatorów tylko z produktami określonymi przez firmę Makita. Zastosowanie akumulatorów w niezgodnych produktach może spowodować pożar, przegrzanie, wybuch lub wyciek elektrolitu.

13. Jeśli narzędzie nie będzie używane przez dłuższy czas, należy wyjąć z niego akumulator.

ZACHOWAĆ NINIEJSZE INSTRUKCJE.

PRZESTROGA: Używać wyłącznie oryginalnych akumulatorów firmy Makita. Używanie nieoryginalnych akumulatorów firm innych niż Makita lub akumulatorów, które zostały zmodyfikowane, może spowodować wybuch akumulatora i pożar, obrażenia ciała oraz zniszczenie mienia. Stanowi to również naruszenie warunków gwarancji firmy Makita dotyczących narzędzia i ładowarki.

Wskazówki dotyczące zachowania maksymalnej trwałości akumulatora

1. Akumulator należy naładować zanim zostanie do końca rozładowany. Po zauważeniu spadku mocy narzędzia należy przerwać pracę i naładować akumulator.
2. Nie wolno ładować powtórnie w pełni naładowanego akumulatora. Przeładowanie akumulatora skraca jego trwałość.
3. Akumulator należy ładować w temperaturze pokojowej w przedziale 10–40°C (50–104°F). W przypadku gorącego akumulatora przed przystąpieniem do ładowania należy poczekać, aż ostygnie.
4. Akumulatory niklowo-wodorkowe należy naładować po okresie długiego nieużytkowania (dłuższego niż sześć miesięcy).

OPIS DZIAŁANIA

PRZESTROGA: Przed przystąpieniem do regulacji lub przeglądu narzędzia upewnić się, że jest ono wyłączone, a akumulator został wyjęty.

Wkładanie i wyjmowanie akumulatora

PRZESTROGA: Przed włożeniem lub wyjęciem akumulatora należy zawsze wyłączyć narzędzie.

PRZESTROGA: Podczas wkładania lub wyjmowania akumulatora należy mocno trzymać narzędzie i akumulator. W przeciwnym razie mogą się one wydłuzgnąć z rąk, powodując uszkodzenie narzędzia lub akumulatora i obrażenia ciała.

► **Rys.1:** 1. Czerwony wskaźnik 2. Przycisk 3. Akumulator

Aby wyjąć akumulator, przesunąć przycisk znajdujący się w przedniej jego części i wysunąć akumulator.

Aby włożyć akumulator, wyrównaj występ na akumulatorze z rowkiem w obudowie i wsunąć go na swoje miejsce. Akumulator należy wsunąć do oporu, aż się zatrzaśnie na miejscu, co jest sygnalizowane delikatnym kliknięciem. Jeśli w górnej części przycisku jest widoczny czerwony wskaźnik, akumulator nie został całkowicie zatrzaśnięty.

PRZESTROGA: Akumulator należy włożyć do końca, tak aby czerwony wskaźnik nie był widoczny. W przeciwnym razie może przypadkowo wypaść z narzędzia, powodując obrażenia operatora lub osób postronnych.

PRZESTROGA: Nie wkładać akumulatora na siłę. Jeśli akumulator nie daje się swobodnie wsunąć, oznacza to, że został włożony nieprawidłowo.

Wskazanie stanu naładowania akumulatora

Tylko w przypadku akumulatorów ze wskaźnikiem

► **Rys.2:** 1. Lampki wskaźnika 2. Przycisk kontrolny
Nacisnąć przycisk kontrolny na akumulatorze w celu wyświetlenia stanu naładowania akumulatora. Lampki wskaźnika zaświecą się przez kilka sekund.

Lampki wskaźnika			Pozostała energia akumulatora
Świeci się	Wyłączony	Miga	
■	□	▧	
	■ ■ ■ ■		75–100%
	■ ■ ■ □		50–75%
	■ ■ □ □		25–50%
	■ □ □ □		0–25%
	▧ □ □ □		Naładować akumulator.
	■ ■ □ □		Akumulator może nie działać poprawnie.
	□ □ ■ ■		

WSKAZÓWKA: Zależnie od warunków użytkowania i temperatury otoczenia, wskazywany poziom może nieznacznie się różnić od rzeczywistego stanu naładowania akumulatora.

Układ zabezpieczenia narzędzia/akumulatora

Narzędzie jest wyposażone w układ zabezpieczenia narzędzia/akumulatora. Układ automatycznie odcina zasilanie silnika w celu wydłużenia trwałości narzędzia i akumulatora. Narzędzie zostanie automatycznie zatrzymane podczas pracy w następujących sytuacjach związanych z narzędziem lub akumulatorem:

Zabezpieczenie przed przeciążeniem

W przypadku użytkowania akumulatora w sposób powodujący nadmiernie wysoki pobór prądu narzędzie zostanie automatycznie zatrzymane bez ostrzeżenia. W takiej sytuacji należy wyłączyć narzędzie i zaprzestać wykonywania czynności powodującej przeciążenie narzędzia. Następnie należy włączyć narzędzie w celu jego ponownego uruchomienia.

Zabezpieczenie przed przegrzaniem

W przypadku przegrzania narzędzie automatycznie się wyłączy i zacznie migać lampka. W takiej sytuacji należy odczekać, aż narzędzie i akumulator ostygną przed ponownym włączeniem narzędzia.

Zabezpieczenie przed nadmiernym rozładowaniem

Gdy stan naładowania akumulatora stanie się zbyt niski, narzędzie zostanie automatycznie zatrzymane. W takiej sytuacji należy wyjąć akumulator z narzędzia i naładować go.

Zaczep

PRZESTROGA: Nie wolno wieszać narzędzia wysoko ani w potencjalnie niestabilnym miejscu.

Zaczep służy do wygodnego, tymczasowego zawieszania narzędzia.

Aby użyć zaczepu, należy po prostu unieść go w górę i przestawić w pozycję otwartą.

Gdy zaczep nie jest używany, zawsze należy go opuścić i przestawić w pozycję zamkniętą.

Pozycja otwarta

► **Rys.3:** 1. Zaczep

Pozycja zamknięta

► **Rys.4:** 1. Zaczep

Działanie przełącznika

OSTRZEŻENIE: Przed włożeniem akumulatora do narzędzia należy zawsze sprawdzić, czy spust przełącznika działa prawidłowo i czy powraca do położenia wyłączenia po jego zwolnieniu.

OSTRZEŻENIE: NIE WOLNO pomijać ani blokować działania przycisku blokady poprzez zaklejanie go taśmą ani w inny sposób. Wyłącznik z pominięciem lub zablokowanym przyciskiem blokady może spowodować przypadkowe uruchomienie narzędzia i poważne obrażenia ciała.

OSTRZEŻENIE: NIE WOLNO używać narzędzia, jeśli można je uruchomić tylko za pomocą spustu przełącznika bez uprzedniego wciśnięcia przycisku blokady. Niesprawny, wymagający naprawy przełącznik może spowodować przypadkowe uruchomienie urządzenia i poważne obrażenia ciała. PRZED dalszym użytkowaniem narzędzia należy przekazać je do punktu serwisowego narzędzi Makita w celu naprawy.

Aby zapobiec przypadkowemu pociągnięciu spustu przełącznika, narzędzie wyposażono w przycisk blokady. Aby uruchomić narzędzie, należy nacisnąć przycisk blokady włączenia i pociągnąć spust przełącznika. Prędkość narzędzia zwiększa się wraz ze zwiększaniem nacisku na spust przełącznika. W celu zatrzymania narzędzia zwolnić spust przełącznika.

► **Rys.5:** 1. Przycisk blokady 2. Spust przełącznika

Włączanie lampki czołowej

PRZESTROGA: Nie patrzeć na światło ani bezpośrednio na źródło światła.

W celu włączenia lampki należy pociągnąć za spust przełącznika. Lampka świeci, dopóki spust przełącznika jest pociągany. Lampka gaśnie po około 10 sekundach od zwolnienia spustu przełącznika.

► **Rys.6:** 1. Lampka

WSKAZÓWKA: Nie należy uderzać w lampkę, ponieważ może to doprowadzić do uszkodzenia lub skrócenia okresu jej eksploatacji.

WSKAZÓWKA: Aby usunąć zabrudzenia z klosza lampki, należy użyć suchej szmatki. Uważać, aby nie zarysować klosza lampki, gdyż może to zmniejszyć natężenie oświetlenia.

WSKAZÓWKA: W przypadku przegrzania narzędzia lampka będzie migłała przez jedną minutę, a następnie zgaśnie. W takiej sytuacji należy poczekać, aż narzędzie ostygnie przed dalszym jego użytkowaniem.

MONTAŻ

⚠ PRZESTROGA: Przed przystąpieniem do prac konserwacyjnych przy narzędziu upewnić się, że jest ono wyłączone, a akumulator został wyjęty.

Zakładanie i wyjmowanie brzeszczotu piły taśmowej

⚠ PRZESTROGA: Olej na brzeszczocie może spowodować nieoczekiwane ześlizgnięcie lub zsuniecie się brzeszczotu. Przed założeniem brzeszczotu należy zetrzeć ściereczką nadmiar oleju.

⚠ PRZESTROGA: Podczas obsługi brzeszczotu zawsze należy nosić rękawice ochronne.

⚠ PRZESTROGA: Podczas obsługi brzeszczotu należy zachować ostrożność, aby uniknąć przecięcia się ostrą krawędzią zębów brzeszczotu.

⚠ PRZESTROGA: Nie zbliżać ciała do brzeszczotu piły taśmowej podczas sprawdzania ruchu brzeszczotu.

⚠ PRZESTROGA: Podczas przekręcania dźwigni dokręcania brzeszczotu w prawo w celu zmniejszenia jego naprężenia należy skierować narzędzie w dół, gdyż brzeszczot może się niespodziewanie zsunąć.

Aby zamontować brzeszczot piły taśmowej:

- Przekręcić dźwignię dokręcania brzeszczotu w prawo do oporu, aby poluzować koło.
▶ **Rys.7:** 1. Dokręcanie 2. Luzowanie 3. Dźwignia dokręcania brzeszczotu
- Otworzyć osłony koła.
▶ **Rys.8:** 1. Osłona kół 2. Zaczep

UWAGA: Podczas otwierania osłony kół należy jednocześnie otworzyć i zwolnić oba zaczepy. Otwarcie tylko jednego zaczepu może spowodować pęknięcie osłony kół.

- Dopasować kierunek strzałek na brzeszczocie do kierunku strzałek na kołach.
- Włożyć brzeszczot do uchwyty górnego i uchwyty dolnego niezabawkowaną stroną. Upewnić się, że zarówno w górnym, jak i dolnym uchwycie brzeszczot dotyka łożyska dolnego.
▶ **Rys.9:** 1. Uchwyt dolny 2. Uchwyt górny 3. Łożysko dolne
- Naciskając na środkową część brzeszczotu, nałożyć brzeszczot na jedno z kół. Zadanie to ułatwia przesunięcie koła w kierunku A.
▶ **Rys.10:** 1. Koło 2. Obręcz gumowa
- W podobny sposób nałożyć brzeszczot na drugie koło.
- Umieścić krawędź brzeszczotu na obręczy gumowej.
- Przytrzymując brzeszczot piły taśmowej, przekręcić dźwignię dokręcania brzeszczotu w lewo do oporu. Spowoduje to odpowiednie naprężenie brzeszczotu.
- Zamknąć osłonę koła.

UWAGA: Należy upewnić się, że brzeszczot jest prawidłowo nałożony na koła.

UWAGA: Aby upewnić się, że brzeszczot prawidłowo porusza się po kołach, należy dwukrotnie lub trzykrotnie uruchomić i zatrzymać narzędzie.

Aby wyjąć brzeszczot piły taśmowej, należy wykonać czynności procedury zakładania w odwrotnej kolejności.

Regulacja toru brzeszczotu

Jeśli brzeszczot piły taśmowej często ześlizguje się z koła, należy wyregulować tor brzeszczotu.

W celu jego wyregulowania włożyć klucz imbusowy do otworu regulacyjnego, jak pokazano na rysunku, i wykonać 1/4 obrotu w prawo. Następnie sprawdzić, czy brzeszczot już się nie ześlizguje.

Jeśli brzeszczot nadal się ześlizguje, ponownie wykonać 1/4 obrotu i sprawdzić, czy brzeszczot już się nie ześlizguje.

▶ **Rys.11:** 1. Klucz imbusowy 2. Otwór regulacyjny

Regulacja położenia płytki oporowej

Podczas zwykłej pracy płytka oporowa powinna być wysunięta maksymalnie w kierunku A.

Jeśli pod koniec cięcia płytka oporowa uderza o przeszkody takie jak ściana lub inne objekty, należy poluzować obie śruby i przesunąć płytkę w kierunku B, zgodnie z rysunkiem.

Po przesunięciu płytki oporowej należy ją zamocować, mocno dokręcając obie śruby.

▶ **Rys.12:** 1. Płytkę oporowa 2. Śruby 3. Brzeszczot piły taśmowej

OBSŁUGA

⚠ PRZESTROGA: Akumulator należy wsunąć do oporu, aż wskoczy na swoje miejsce. Jeśli jest widoczny czerwony wskaźnik w górnej części przyścisku, akumulator nie został całkowicie zatrzaśnięty. Należy go wsunąć do oporu, aż czerwony wskaźnik przestanie być widoczny. W przeciwnym razie może on przypadkowo wypaść z narzędzia, powodując obrażenia operatora lub osób postronnych.

⚠ PRZESTROGA: Zawsze trzymać za uchwyt. Nigdy nie trzymać za korpus narzędzia lub za osłony. Mogłoby grozić to ześlizgnięciem się rąk z tych powierzchni i dotknięciem brzeszczotu piły taśmowej, co może prowadzić do obrażeń ciała.

⚠ PRZESTROGA: Upewnić się, że osłona koła jest prawidłowo zamknięta.

⚠ PRZESTROGA: Należy zawsze mocno trzymać narzędzie podczas jego włączania lub wyłączenia oraz podczas cięcia. W przeciwnym razie narzędzie może upaść i spowodować obrażenia ciała.

⚠ PRZESTROGA: Do cięcia metalu należy zawsze zakładać rękawice, aby chronić ręce przed gorącymi wiórami.

⚠ PRZESTROGA: Nie zbliżać ciała ani twarzy do brzeszczotu piły taśmowej i wyrzucanych wiórów.

W celu zachowania stabilności w cięciu zawsze muszą uczestniczyć co najmniej dwa zęby.

► **Rys.13**

Przyłożyć brzeszczot piły taśmowej do obrabianego elementu w odpowiednim położeniu cięcia, jak pokazano na rysunku.

► **Rys.14**

1. Przytrzymać narzędzie w sposób pokazany na rysunku.

Przed włączeniem narzędzia zawsze należy upewnić się, że płytka oporowa przylega do obrabianego elementu oraz że brzeszczot piły taśmowej znajduje się w pewnej odległości od obrabianego elementu.

► **Rys.15**

2. Włączyć narzędzie i odczekać, aż brzeszczot piły taśmowej uzyska pełną prędkość. Delikatnie obniżyć brzeszczot do miejsca cięcia. Ciężar narzędzia lub delikatny napór na narzędzie zapewnią wystarczający nacisk potrzebny do cięcia. Nie należy napierać na narzędzie siłą.

► **Rys.16**

3. Pod koniec cięcia zwolnić nacisk i lekko unieść narzędzie, aby nie spadło ono na obrabiany element.

UWAGA: Wywieranie zbyt dużego nacisku na narzędzie lub przekręcanie brzeszczotu może sprawić, że cięcie zostanie wykonane pod kątem, lub doprowadzić do uszkodzenia brzeszczotu.

UWAGA: Jeśli narzędzie nie będzie używane przez dłuższy czas, należy wyjąć z niego brzeszczot.

UWAGA: Jeśli narzędzie było używane bez przerw aż do rozładowania akumulatora, należy je odstawić na 15 minut przed podjęciem pracy na nowo z użyciem innego, naładowanego akumulatora.

Smar do cięcia

Akcesoria opcjonalne

▲PRZESTROGA: Nigdy nie stosować cieczy chłodząco-smarującej ani nie nakładać zbyt dużej ilości wosku na brzeszczot piły taśmowej. Może to spowodować nieoczekiwane ześlizgnięcie lub zsuniecie się brzeszczotu.

▲PRZESTROGA: Podczas cięcia żeliwa nie stosować żadnego wosku do cięcia.

Podczas cięcia metali jako smaru do cięcia używać wosku do cięcia firmy Makita. Aby nałożyć wosk do cięcia na zęby brzeszczotu, należy zdjąć nasadkę z wosku do cięcia, ururomić narzędzie i rozpocząć cięcie wosku w sposób pokazany na rysunku.

► **Rys.17:** 1. Wosk do cięcia

KONSERWACJA

▲PRZESTROGA: Przed przystąpieniem do przeglądu narzędzia lub jego konserwacji upewnić się, że jest ono wyłączone, a akumulator wyjęty.

UWAGA: Nie stosować benzyny, rozpuszczalników, alkoholu itp. środków. Mogą one powodować odbarwienia, odkształcenia lub pęknięcia.

W celu zachowania odpowiedniego poziomu BEZPIECZENSTWA i NIEZAWODNOŚCI produktu wszelkie naprawy i różnego rodzaju prace konserwacyjne lub regulacje powinny być przeprowadzane przez autoryzowany lub fabryczny punkt serwisowy narzędzi Makita, zawsze z użyciem oryginalnych części zamiennych Makita.

Czyszczenie

▲PRZESTROGA: Wosk lub wióry na gumowych obryęczach kół mogą spowodować nieoczekiwane ześlizgnięcie lub zsuniecie się brzeszczotu. Należy usunąć wosk oraz wióry z obryczy, używając suchej ściereczki.

Po użyciu usunąć wosk, wióry oraz pył z narzędzia, obryczy kół oraz brzeszczotu.

Wymiana gumowych obryczy kół

Obrycze gumowe należy wymienić, kiedy brzeszczot piły taśmowej ześlizguje się lub nie przesuwają się prawidłowo po torze, ponieważ obrycze uległy zużyciu. W celu wymiany obryczy należy zwrócić się do autoryzowanego lub fabrycznego punktu serwisowego firmy Makita.

AKCESORIA OPCJONALNE

▲PRZESTROGA: Zaleca się stosowanie wymienionych akcesoriów i przystawek razem z narzędziem Makita opisanym w niniejszej instrukcji. Stosowanie innych akcesoriów lub przystawek może być przyczyną obrażeń ciała. Akcesoria lub przystawki należy wykorzystywać tylko zgodnie z ich przeznaczeniem.

W razie potrzeby wszelkiej pomocy i szczegółowych informacji na temat niniejszych akcesoriów udziela Państwu lokalne punkty serwisowe Makita.

- Oryginalny akumulator i ładowarka firmy Makita
- Brzeszczoty piły taśmowej
- Wosk do cięcia

WSKAZÓWKA: Niektóre pozycje znajdujące się na liście mogą być dołączone do pakietu narzędziowego jako akcesoria standardowe. Mogą to być różne pozycje, w zależności od kraju.

RÉSZLETES LEÍRÁS

Típus:		DPB184
Max. vágóteljesítmény	Kerek munkadarab	51 mm átmérő
	Négyszögletű munkadarab	51 mm x 51 mm
Lap sebessége		0 - 3,2 m/s (0 - 190 m/min)
Lap mérete	Hossz	730 mm
	Szélesség	13 mm
	Vastagság	0,5 mm
Méretek (H x SZ x M) tárcsafedő nélkül		373 mm x 162 mm x 223 mm
Névleges feszültség		18 V, egyenáram
Nettó tömeg tárcsafedő nélkül		3,3 - 3,6 kg

- Folyamatos kutató- és fejlesztőprogramunk eredményeként az itt felsorolt tulajdonságok figyelmeztetés nélkül megváltozhatnak.
- A tulajdonságok országról országra különbözhetnek.
- A súly a felszerelt tartozékoktól függően változhat, az akkumulátort is beleértve. Az EPTA 01/2014 eljárás szerint meghatározott legnehezebb, illetve legkönnyebb kombináció a táblázatban látható.

Alkalmazható akkumulátorok és töltők

Akkumulátor	BL1815N / BL1820 / BL1820B / BL1830 / BL1830B / BL1840 / BL1840B / BL1850 / BL1850B / BL1860B
Töltő	DC18RC / DC18RD / DC18RE / DC18SD / DC18SE / DC18SF / DC18SH

- Lakóhelyétől függően előfordulhat, hogy a fent felsorolt akkumulátorok és töltők nem érhetőek el.

▲ FIGYELMEZTETÉS: Csak a fentiekben felsorolt akkumulátorokat és töltőket használja. Bármilyen más akkumulátor vagy töltő használata sérüléseket és/vagy tüzet okozhat.

Rendeltetés

A szerszám műanyagok és vastartalmú anyagok vágására használható.

Zaj

A tipikus A-súlyozású zajszint, a EN60745-2-20 szerint meghatározva:

Hangnyomásszint (L_{pA}): 80 dB(A)

Bizonytalanság (K): 3 dB(A)

A zajszint a munkavégzés során meghaladhatja a 80 dB (A) értéket.

MEGJEGYZÉS: A zajkibocsátás értéke a szabványos vizsgálati eljárásnak megfelelően lett mérve, és segítségével az elektromos kéziszerszámok összehasonlíthatók egymással.

MEGJEGYZÉS: A zajkibocsátás értékének segítségével előzetesen megbecsülhető a rezgésnek való kitettség mértéke.

▲ FIGYELMEZTETÉS: Viseljen fülvédőt!

▲ FIGYELMEZTETÉS: A szerszám zajkibocsátása egy adott alkalmazásnál eltérhet a megadott értéktől a használat módjától, különösen a feldolgozott munkadarab fajtájától függően.

▲ FIGYELMEZTETÉS: Határozza meg a kezelő védelmét szolgáló munkavédelmi lépéseket, melyek az adott munkafeltételek melletti vibrációs hatás becsült mértékén alapulnak (figyelembe véve a munkaciklus elemeit, mint például a gép leállításának és üresjáratának mennyiségét az elindítások száma mellett).

Vibráció

A vibráció teljes értéke (háromtengelyű vektorösszeg) az EN60745-2-20 szerint meghatározva:

Üzem mód: Fém vágása

Rezgés kibocsátás ($a_{h,M}$): 2,5 m/s² vagy kisebb

Bizonytalanság (K): 1,5 m/s²

MEGJEGYZÉS: A rezgés teljes értéke a szabványos vizsgálati eljárásnak megfelelően lett mérve, és segítségével az elektromos kéziszerszámok összehasonlíthatók egymással.

MEGJEGYZÉS: A rezgés teljes értékének segítségével előzetesen megbecsülhető a rezgésnek való kitettség mértéke.

▲ FIGYELMEZTETÉS: A szerszám rezgés kibocsátása egy adott alkalmazásnál eltérhet a megadott értéktől a használat módjától, különösen a feldolgozott munkadarab fajtájától függően.

▲ FIGYELMEZTETÉS: Határozza meg a kezelő védelmét szolgáló munkavédelmi lépéseket, melyek az adott munkafeltételek melletti vibrációs hatás becsült mértékén alapulnak (figyelembe véve a munkaciklus elemeit, mint például a gép leállításának és üresjáratának mennyiségét az elindítások száma mellett).

EK Megfelelőségi nyilatkozat

Csak európai országokra vonatkozóan

Az EK-megfelelőségi nyilatkozat az útmutató „A” mellékletében található.

BIZTONSÁGI FIGYELMEZTETÉS

A szerszámgépekre vonatkozó általános biztonsági figyelmeztetések

▲ FIGYELMEZTETÉS: Olvassa el a szerszámgéphez mellékelte összes biztonsági figyelmeztetést, utasítást, illusztrációt és a műszaki adatokat. A következőkben leírt utasítások figyelmen kívül hagyása elektromos áramütést, tüzet és/vagy súlyos sérülést eredményezhet.

Őrizzen meg minden figyelmeztetést és utasítást a későbbi tájékozódás érdekében.

A figyelmeztetésekből szereplő "szerszámgép" kifejezés az Ön hálózatról (vezetékes) vagy akkumulátorról (vezeték nélküli) működtetett szerszámgépre vonatkozik.

Akkumulátoros hordozható szalagfűrészre vonatkozó biztonsági figyelmeztetések

1. A szerszámgépet a szigetelt markolófelületénél fogja, ha olyan műveletet végez, amikor a vágóésszék rejtett vezetékkel érintkezhet. Áram alatt lévő vezetékkel való érintkezéskor a szerszám fém alkatrészei is áram alá kerülhetnek, és megérintkezhetik a kezelőt.
2. Kizárólag a „MŰSZAKI ADATOK” részben felsorolt lapokat használjon.
3. A művelet megkezdése előtt ellenőrizze, hogy nem találhatók-e repedések vagy egyéb sérülések a tárcsán. A megrepedt vagy sérült tárcsát azonnal cserélje ki.
4. Szilárdan rögzítse a munkadarabot. Ha egy kőteg munkadarabot vág, ügyeljen arra, hogy az összes munkadarabot szilárdan kösse össze a vágás előtt.
5. Az olajjal borított munkadarabok vágása azt okozhatja, hogy a lap váratlanul lecsúszik. Vágás előtt töröljön le minden fölösleges olajat a munkadarabokról.
6. Soha ne használja a vágóolajat vágó kenőanyagként. Csak Makita vágóviaszt használjon.
7. Tartsa stabilan a gépet.
8. Ne nyúljon a forgó részekhez.
9. Fém vágásakor vigyázzon a forró repülő forgácsra.
10. Ne hagyja a működő szerszámot felügyelet nélkül.
11. Ne érjen fűrészlaphoz vagy a munkadarabhoz közvetlenül a munkavégzést követően; azok rendkívül forrók lehetnek és megégethetik a bőrt.

Fontos biztonsági utasítások az akkumulátorra vonatkozóan

1. Az akkumulátor használata előtt tanulmányozza át az akkumulátortöltőn (1), az akkumulátoron (2) és az akkumulátorral működtetett terméken (3) olvasható összes utasítást és figyelmeztető jelzést.
2. Ne szerelje szét az akkumulátort.
3. Ha a működési idő nagyon lerövidült, azonnal hagyja abba a használatot. Ez a túlmelegedés, esetleges égések és akár robbanás veszélyével is járhat.
4. Ha elektrolit kerül a szemébe, mossa ki azt tiszta vízzel és azonnal kérjen orvosi segítséget. Ez a látásának elvesztését okozhatja.
5. Ne zárja rövidre az akkumulátort:
 - (1) Ne érjen az érintkezőkhöz elektromosan vezető anyagokkal.
 - (2) Ne tárolja az akkumulátort más fémtárgyakkal, mint pl. szegekkel, érmekkel, stb. egy helyen.
 - (3) Ne tegye ki az akkumulátort víznek vagy esőnek.Az akkumulátor rövidzárlata nagy áramerősséget, túlmelegedést, égéseket, sőt akár meghibásodást is okozhat.

- Ne tárolja a szerszámot vagy az akkumulátort olyan helyen, ahol a hőmérséklet elérheti vagy meghaladhatja az 50 °C-ot (122 °F).
- Ne égesse el az akkumulátort még akkor sem, ha az komolyan megsérült vagy teljesen elhasználódott. Az akkumulátor a tűzben felrobbanhat.
- Vigyázzon, nehogy leejtse vagy megüsse az akkumulátort.
- Ne használjon sérült akkumulátort.
- A készülékben található lítium-ion akkumulátorokra a veszélyes árukkal kapcsolatos előírások vonatkoznak.

A termék pl. harmadik felek, fuvarozó cégek stb. által történő szállítása esetén minden esetben tartsa szem előtt a csomagoláson és a címken található speciális követelményeket.

A termék szállításra történő felkészítése esetén vegye fel a kapcsolatot egy veszélyes anyagokkal foglalkozó szakemberrel. Kérjük, hogy az esetlegesen szigorúbb nemzeti előírásokat is vegye figyelembe.

Ragaszsa le a kiálló érintkezőket, illetve oly módon csomagolja be az akkumulátort, hogy az ne tudjon elmozdulni a csomagolásban.

- Az akkumulátor ártalmatlanításakor vegye ki azt a szerszámból, és ártalmatlanítási vagy biztonságos helyen. Az akkumulátor ártalmatlanításakor tartsa be a helyi előírásokat.**
- Az akkumulátorokat csak a Makita által megjelölt termékekhez használja.** Ha az akkumulátorokat azokkal nem kompatibilis termékekbe helyezi, az tűzhez, túlmelegedéshez, robbanás-hoz vagy elektrolitszivárgáshoz vezethet.
- Ha a szerszám hosszabb ideig nincs használatban, az akkumulátort ki kell venni a szerszámból.**

ŐRIZZE MEG EZEKET AZ UTASÍTÁSOKAT.

⚠VIGYÁZAT: Csak eredeti Makita akkumulátorokat használjon. A nem eredeti Makita akkumulátorok vagy módosított akkumulátorok használata esetén az akkumulátor felrobbanhat, ami tüzet, személyi sérülést és anyagi kárt okozhat. A Makita szerszámra és töltőre vonatkozó Makita garanciát is érvénytelenítheti.

Tipppek az akkumulátor maximális élettartamának eléréséhez

- Töltse fel az akkumulátort, mielőtt teljesen lemerülne. Állítsa le a gépet, és töltse fel az akkumulátort, ha a gép erejének csökkenését észleli.
- Soha ne töltse újra a teljesen feltöltött akkumulátort. A túltöltés csökkenti az akkumulátor élettartamát.
- Töltse az akkumulátort szobahőmérsékleten, 10 °C - 40 °C (50 °F - 104 °F) között. Töltés előtt hagyja lehűlni a felforrósodott akkumulátort.
- Töltse fel az akkumulátort, ha hosszabb ideje (több mint hat hónapja) nem használta azt.

A MŰKÖDÉS LEÍRÁSA

⚠VIGYÁZAT: Minden esetben ellenőrizze, hogy a szerszám ki van kapcsolva és az akkumulátor eltávolításra került mielőtt beállít vagy ellenőriz valamilyen funkciót a szerszámon.

Az akkumulátor behelyezése és eltávolítása

⚠VIGYÁZAT: Mindig kapcsolja ki az eszközt, mielőtt behelyezi vagy eltávolítja az akkumulátort.

⚠VIGYÁZAT: Az akkumulátor behelyezésekor vagy eltávolításakor erősen fogja meg a szerszámot és az akkumulátort. Ha nem fogja erősen a szerszámot és az akkumulátort, azok kicsúszhatnak a kezei közül, ami a szerszám és az akkumulátor károsodásához, de akár személyi sérüléshez is vezethet.

▶ **Ábra1:** 1. Piros jel 2. Gomb 3. Akkumulátor

Az akkumulátoregység kivételéhez nyomja be az akkumulátoregység elején található gombot, és húzza le a gépről.

Az akkumulátor beszereléséhez illesse az akkumulátor nyelvét a burkolaton található vajatba és csúsztassa a helyére. Egészen addig tolja be, amíg az akkumulátor egy kis kattánással a helyére nem ugrik. Ha látható a piros jel a gomb felső oldalán, akkor a gomb nem kattant be teljesen.

⚠VIGYÁZAT: Mindig tolja be teljesen az akkumulátort, amíg a piros jel el nem tűnik. Ha ez nem történik meg, akkor az akkumulátor kieshet a szerszámból, és Önnek vagy a környezetében másnak sérülést okozhat.

⚠VIGYÁZAT: Ne erőltesse az akkumulátort behelyezésre. Ha az akkumulátort nem csúszik be könnyedén, akkor nem megfelelően lett behelyezve.

Az akkumulátor töltöttségének jelzése

Csak állapotjelzős akkumulátorok esetén

▶ **Ábra2:** 1. Jelzőlámpák 2. Check (ellenőrzés) gomb

Nyomja meg az ellenőrzőgombot, hogy az akkumulátortöltöttség-jelző megmutassa a hátralévő akkumulátor-kapacitást. Ekkor a töltöttségjelző lámpák néhány másodpercre kigyulladnak.

Jelzőlámpák			Töltöttségi szint
Világító lámpa	KI	Villogó lámpa	
■	□	◐	75%-tól 100%-ig
■	■	□	50%-tól 75%-ig
■	□	□	25%-tól 50%-ig
■	□	□	0%-tól 25%-ig
◐	□	□	Töltse fel az akkumulátort.
■	■	□	Lehetséges, hogy az akkumulátor meghibásodott.
□	□	■	

MEGJEGYZÉS: Az adott munkafeltételektől és a környezeti hőmérsékletétől függően a jelzett töltöttségi szint némileg eltérhet a tényleges töltöttségi szinttől.

Szerszám-/akkumulátorvédő rendszer

A gép szerzám-/akkumulátorvédő rendszerrel van felszerelve. A rendszer automatikusan kikapcsolja a motor áramellátását, így megnöveli a szerzám és az akkumulátor élettartamát. A gép használat közben automatikusan leáll, ha a szerzám vagy az akkumulátor a következő állapotok valamelyikébe kerül:

Túlterhelésvédelem

Ha az akkumulátort úgy használják, hogy az rendellenesen nagy áramot vesz fel, akkor a szerzám mindenfajta jelzés nélkül leáll. Ilyenkor kapcsolja ki a gépet, és fejezze be azt a műveletet, amelyik a túlterhelést okozza. Az újraindításhoz kapcsolja be a gépet.

Túlmelegedés elleni védelem

Ha a szerzám túlmelegszik, akkor automatikusan leáll, és a lámpa villogni kezd. Ilyenkor hagyja lehűlni a szerzámot és az akkumulátort, mielőtt ismét bekapcsolná a szerzámot.

Mélykisütés elleni védelem

Amikor az akkumulátor kapacitása már alacsony, a gép automatikusan leáll. Ebben az esetben távolítsa el az akkumulátort a szerzámából és töltse fel.

Akaszto

VIGYÁZAT: Soha ne akassza a szerzámot magas vagy nem teljesen stabil helyekre.

A horoggal kényelmesen fel lehet függeszteni a szerzámot ideiglenesen. A horog használatához egyszerűen emelje fel a horgot, amíg nyitott állásba nem kattann. Amikor nincs használatban, mindig engedje le a horgot, amíg zárt állásba nem kattann.

Nyitott állás

► **Ábra3:** 1. Akaszto

Zárt állás

► **Ábra4:** 1. Akaszto

A kapcsoló használata

FIGYELMEZTETÉS: Mielőtt behelyezi az akkumulátort a szerzámába, mindig ellenőrizze, hogy a kapcsológomb hibátlanul működik és felengedéskor „OFF” állásba áll-e.

FIGYELMEZTETÉS: NE gátolja a reteszelő kapcsoló üzemszerű működését azzal, hogy lera-gasztja, vagy más módon kitémasztja. Az üzemszerűtől eltérő tette kapcsoló a gép szándékolatlan beindulásához vezethet, ami súlyos személyi sérüléssel járhat.

FIGYELMEZTETÉS: SOHA ne használja ezt a szerzámot, ha az akkor is beindul amikor Ön a reteszelőgomb megnyomása nélkül húzza meg a kapcsológombot. A javításra szoruló kapcsoló a gép szándékolatlan beindulásához vezethet, ami súlyos személyi sérüléssel járhat. A további használat ELŐTT vigye a szerzámot javításra egy MAKITA szervizközpontba.

A kapcsológomb véletlen meghúzását egy kireteszelőgomb gátolja meg. A szerzám bekapcsolásához nyomja le a reteszelőgombot, majd húzza meg a kapcsológombot. Ha erősebben nyomja a kapcsológombot, a szerzám fordulatszámja növekszik. A megállításhoz engedje el a kapcsológombot.

► **Ábra5:** 1. Reteszelőgomb 2. Kapcsológomb

Az ülő lámpa bekapcsolása

VIGYÁZAT: Ne tekintsen a fénybe vagy ne nézze egyenesen a fényforrást.

Húzza meg a kapcsológombot a lámpa bekapcsolásához. A lámpa addig világít, amíg a kapcsológomb meg van húzva. A lámpa a kapcsológomb elengedése után kb. 10 másodperccel alszik ki.

► **Ábra6:** 1. Lámpa

MEGJEGYZÉS: Ne üsse meg a lámpát, mert az megsérülhet vagy csökkenhet az élettartama.

MEGJEGYZÉS: Száraz ruhadarabbal törölje le a szennyeződést a lámpa lencséről. Ügyeljen arra hogy ne karcolja meg a lámpa lencsét, ez csökkentheti a megvilágítás erősségét.

MEGJEGYZÉS: Ha a szerzám túlhevül, a lámpa egy percen keresztül villog, majd kialszik. Ebben az esetben hagyja lehűlni a szerzámot, mielőtt folytatná a műveletet.

ÖSSZESZERELÉS

VIGYÁZAT: Minden esetben ellenőrizze, hogy a szerzám ki van kapcsolva és az akkumulátort levette, mielőtt bármilyen műveletet végez a szerzámra.

A szalagfűrészlap felszerelése vagy eltávolítása

VIGYÁZAT: A szalagfűrészlapra kerülő olaj a lap váratlan megcsúszását vagy leesését okozhatja. A szalagfűrészlap felszerelésekor törölje le a főlegesen olajat egy kendővel.

VIGYÁZAT: A szalagfűrészlap kezelésekor mindig viseljen védőkesztyűt.

VIGYÁZAT: Vigyázzon a szalagfűrészlap kezelésekor, nehogy a lap fogának éles éle megvágja.

VIGYÁZAT: A lap mozgásának ellenőrzésekor tartsa magát távol a szalagfűrészlaptól.

VIGYÁZAT: Amikor a fűrészlapszorító kart az órajárás irányába fordítja, hogy csökkentse a szalagfűrészlap feszességét, tartsa a szerzámot lefelé, mert a szalagfűrészlap váratlanul leeshet.

A szalagfűrészlap felszereléséhez:

1. A tárcsa lazításához fordítsa a fűrészlapszorító kart az órajárás irányába, amíg megakad.

► **Ábra7:** 1. Meghúzás 2. Lazítás 3. Fűrészlapszorító kar

2. Nyissa ki a tárcsafedőt.

► **Ábra8:** 1. Tárcsafedő 2. Akaszto

MEGJEGYZÉS: A tárcsafedő kinyitásokor nyissa ki és engedje el mindkét akasztót egyszerre. Ha csak egy akasztót nyit ki, az repedést okozhat a tárcsafedőn.

3. Illessze össze a szalagfűrészlapon és a tárcsákon található nyílak irányát.

4. Helyezze a szalagfűrészlap nem fogazott oldalát a felső tartóba és az alsó tartóba. Gondoskodjon róla, hogy a szalagfűrészlap mind a felső, mind az alsó tartóban érintse az alsó csapágynakat.

► **Ábra9:** 1. Alsó tartó 2. Felső tartó 3. Alsó csapágy

5. A szalagfűrészlap középső részét nyomva helyezze a lapot az egyik tárcsa köré. A tárcsa „A” irányba forgatása megkönnyíti ezt.

► **Ábra10:** 1. Tárcsa 2. Gumiköpeny

6. Hasonlóképpen helyezze a szalagfűrészlap a másik tárcsára.

7. Helyezze a szalagfűrészlap élét a gumiköpenyre.

8. Tartsa a helyén a szalagfűrészlapot, és fordítsa a fűrészlapszorító kart az órajárással ellentétes irányba, amíg megakad. Ez ad megfelelő feszességet a szalagfűrészlapnak.

9. Zárja be a tárcsafedőt.

MEGJEGYZÉS: Gondoskodjon róla, hogy a szalagfűrészlap helyesen legyen a tárcsák köré helyezve.

MEGJEGYZÉS: Indítsa el és állítsa meg a szerszámot kétszer-háromszor, hogy meggyőződjön róla, hogy a szalagfűrészlap megfelelően mozog a tárcsákon.

A szalagfűrészlap kiszerezéséhez kövesse a felszerelési eljárást fordított sorrendben.

A lap pályájának beállítása

Ha a szalagfűrészlap hajlamos lecsúszni a tárcsáról, állítsa be a lap pályáját.

A beállításhoz helyezze az imbuszkulcsot a beállítólyukba az ábrán látható módon, és tegyen egy negyedfordulatot az órajárási irányába. Ezután ellenőrizze, hogy a szalagfűrészlap nem csúszik le.

Ha még mindig lecsúszik, tegyen még egy negyedfordulatot, és ellenőrizze, amíg a szalagfűrészlap nem csúszik le.

► **Ábra11:** 1. Imbuszkulcs 2. Beállítólyuk

Az ütközőlemez helyzetének beállítása

A szokásos működéskor nyomja ki az ütközőlemezt teljesen az „A” oldalra.

Ha az ütközőlemez akadályokba, például falba vagy hasonlóba ütközik egy vágás befejezésekor, lazítson meg két csavart, és csúsztassa a „B” oldalra az ábrán látható módon.

Az ütközőlemez elcsúsztatása után rögzítse azt, szorosan meghúzva két csavart.

► **Ábra12:** 1. Ütközőlemez 2. Csavarok
3. Szalagfűrészlap

MŰKÖDTETÉS

▲VIGYÁZAT: Mindig egészen addig tolja be az akkumulátort, amíg egy kis kattánással a helyén rögzíti. Ha látható a piros jel a gomb felső oldalán, akkor nem kattant be teljesen. Nyomja be az akkumulátort teljesen, amíg a piros rész el nem tűnik. Ha ez nem történik meg, akkor az akkumulátor kieshet a szerszámból, és Önnek vagy a környezetében másnak sérülést okozhat.

▲VIGYÁZAT: Mindig tartsa a fogantyút. Soha ne tartsa a szerszám testét vagy védőit. Ezekről a helyekről lecsúszhat a keze, és hozzáérhet a szalagfűrészlaphoz. Személyi sérüléshez vezethet.

▲VIGYÁZAT: Győződjön meg róla, hogy a tárcsafedő szorosan le van zárva.

▲VIGYÁZAT: Vigyázzon, tartsa erősen a szerszámot, amikor be- és kikapcsolja, és amikor vág. Máskülönbben a szerszám leeshet, és személyi sérülést okozhat.

▲VIGYÁZAT: Mindig viseljen kesztyűt fémek vágásakor, hogy megvédje kezeit a szétrepülő forró forgácsoktól.

▲VIGYÁZAT: Tartsa távol a testét és az arcát a szalagfűrészlaptól és a szétrepülő forgácsoktól.

A stabil vágás érdekében tartson legalább két fogat a vágatban.

► **Ábra13**

Tartsa a szalagfűrészlapot a megfelelő vágási pozícióban a munkadarabon az ábrán látható módon.

► **Ábra14**

1. Tartsa a szerszámot az ábrázolt módon.

A szerszám bekapcsolása előtt mindig gondoskodjon róla, hogy az ütközőlemez hozzáérjen a munkadarabhoz, a szalagfűrészlap edig ne érjen a munkadarabhoz.

► **Ábra15**

2. Kapcsolja be a szerszámot, és várja meg, amíg a szalagfűrészlap eléri maximális fordulatszámát.

Óvatosan erressze bele a lapot a vágatba. A szerszám saját súlya vagy enyhe lenyomása elegendő nyomást ad a vágáshoz. Ne erőltesse a szerszámot.

► **Ábra16**

3. Amikor a vágás végére ér, enyhítse a nyomást, és emelje kissé fel a szerszámot, hogy ne essen rá a munkadarabra.

MEGJEGYZÉS: Ha túlzott nyomást gyakorol a szerszámra vagy megcsavarja a szalagfűrészlapot, az ferde vágást okozhat vagy károsíthatja a lapot.

MEGJEGYZÉS: Ha hosszabb ideig nem használja a szerszámot, vegye ki belőle a szalagfűrészlapot.

MEGJEGYZÉS: Ha a szerszámot folyamatosan működteti addig, amíg az akkumulátor teljesen lemerül, pihentesse a szerszámot 15 percig, mielőtt tovább folytatja a munkát egy feltöltött akkumulátorral.

Vágó kenőanyag

Opcionális kiegészítők

⚠ VIGYÁZAT: Soha ne használjon vágóolajat vagy vigyen fel túlzott mennyiségű viaszt a szalagfűrészlapra. A lap váratlan megcsúszását vagy leesését okozhatja.

⚠ VIGYÁZAT: Ötöttvas vágásakor ne használjon vágóviaszt.

Fém vágásakor használjon vágó kenőanyagként Makita vágóviaszt. A vágóviasz felvitelére a szalagfűrészlap fogaira vegye le a vágóviasz fedelét, indítsa el a szereszmotót, és vágjon bele a vágóviaszba az ábrán látható módon.

▶ **Ábra17:** 1. Vágóviasz

KARBANTARTÁS

⚠ VIGYÁZAT: Minden esetben ellenőrizze, hogy a szerszám ki van kapcsolva és az akkumulátor eltávolításra került mielőtt átvizsgálja a szerszámot vagy annak karbantartását végzi.

MEGJEGYZÉS: Soha ne használjon gázolajt, benzint, hígítót, alkoholt vagy hasonló anyagokat. Ezek elszíneződést, alakvesztést vagy repedést okozhatnak.

A termék BIZTONSÁGÁNAK és MEGBÍZHATÓSÁGÁNAK fenntartása érdekében a javításokat és más karbantartásokat vagy beállításokat a Makita hivatalos vagy gyári szervizközpontjában kell elvégezni, mindig csak Makita cserealkatrészeket használva.

Tisztítás

⚠ VIGYÁZAT: A tárcsa gumiköpenyére kerülő viasz és forgács a szalagfűrészlap váratlan megcsúszását vagy leesését okozhatja. Egy száraz kendővel törölje le a gumiköpenyekről a viaszt és a forgácsokat.

Használat után távolítsa el a szerszámról, a tárcsák gumiköpenyeről és a szalagfűrészlapról a viaszt, a forgácsot és a port.

A tárcsák gumiköpenyének cseréje

Cserélje ki a gumiköpenyeket, ha a szalagfűrészlap lecsúszik vagy nem követi megfelelően a pályát a nagyon kopott gumik miatt.

A gumiköpenyek cseréjéhez kérje a hivatalos Makita vagy gyári szervizközpontok segítségét.

OPCIONÁLIS KIEGÉSZÍTŐK

⚠ VIGYÁZAT: Ezen kiegészítőket és tartozékokat javasoljuk a kézikönyvben ismertetett Makita szerszámhoz. Bármilyen más kiegészítő vagy tartozék használata a személyi sérülés kockázatával jár. A kiegészítőt vagy tartozékot csak rendeltetészerűen használja.

Ha bármilyen segítségre vagy további információkra van szüksége ezekkel a tartozékokkal kapcsolatban, keresse fel a helyi Makita Szervizközpontot.

- Eredeti Makita akkumulátor és töltő
- Szalagfűrészlapok
- Vágóviasz

MEGJEGYZÉS: A listán felsorolt néhány kiegészítő megtalálható az eszköz csomagolásában standard kiegészítőként. Ezek országonként eltérőek lehetnek.

TECHNICKÉ ŠPECIFIKÁCIE

Model:		DPB184
Maximálna rezná kapacita	Okrúhly obrobok	priemer 51 mm
	Hrnatý obrobok	51 mm x 51 mm
Rýchlosť čepele		0 – 3,2 m/s (0 – 190 m/min)
Veľkosť čepele	Dĺžka	730 mm
	Šírka	13 mm
	Hrúbka	0,5 mm
Rozmery (D x Š x V) bez krytu kotúča		373 mm x 162 mm x 223 mm
Menovité napätie		Jednosmerný prúd 18 V
Čistá hmotnosť bez krytu kotúča		3,3 – 3,6 kg

- Vzhľadom k neustálemu výskumu a vývoju podliehajú technické údaje uvedené v tomto dokumente zmenám bez upozornenia.
- Technické údaje sa môžu pre rôzne krajiny líšiť.
- Hmotnosť sa môže líšiť v závislosti od nadstavcov vrátane akumulátora. Najľahšia a najťažšia kombinácia v súlade s postupom EPTA 01/2014 je uvedená v tabuľke.

Použiteľné akumulátory a nabíjačky

Akumulátor	BL1815N / BL1820 / BL1820B / BL1830 / BL1830B / BL1840 / BL1840B / BL1850 / BL1850B / BL1860B
Nabíjačka	DC18RC / DC18RD / DC18RE / DC18SD / DC18SE / DC18SF / DC18SH

- Niektoré vyššie uvedené akumulátory a nabíjačky môžu byť nedostupné v závislosti od miesta vášho bydliska.

VAROVANIE: Používajte iba akumulátory a nabíjačky zo zoznamu uvedeného vyššie. Používanie akýchkoľvek iných akumulátorov a nabíjačiek môže spôsobiť zranenie a/alebo požiar.

Určené použitie

Tento nástroj je určený na rezanie plastových a železných materiálov.

Hluk

Typická hladina akustického tlaku záťaže A určená podľa štandardu EN60745-2-20:

Úroveň akustického tlaku (L_{pA}): 80 dB (A)

Odchýlka (K): 3 dB (A)

Úroveň hluku pri práci môže prekročiť 80 dB (A).

POZNÁMKA: Deklarovaná hodnota emisií hluku bola meraná podľa štandardnej skúšobnej metódy a môže sa použiť na porovnanie jedného nástroja s druhým.

POZNÁMKA: Deklarovaná hodnota emisií hluku sa môže použiť aj na predbežné posúdenie vystavenia ich účinkom.

VAROVANIE: Používajte ochranu sluchu.

VAROVANIE: Emisie hluku sa môžu počas skutočného používania elektrického nástroja odlišovať od deklarovanej hodnoty, a to v závislosti od spôsobov používania náradia a najmä typu spracúvaného obrobku.

VAROVANIE: Nezapomnite označiť bezpečnostné opatrenia s cieľom chrániť obsluhu, a to tie, ktoré sa zakladajú na odhade vystavenia účinkom v rámci reálnych podmienok používania (berúc do úvahy všetky súčasti prevádzkového cyklu, ako sú doby, kedy je nástroj vypnutý a kedy beží bez zaťaženia, ako dodatok k dobe zapnutia).

Vibrácie

Celková hodnota vibrácií (trojosový vektorový súčet) určená podľa štandardu EN60745-2-20:

Režim činnosti: rezanie kovu

Emisie vibrácií ($a_{h,M}$): 2,5 m/s² alebo menej

Odchýlka (K): 1,5 m/s²

POZNÁMKA: Deklarovaná celková hodnota vibrácií bola meraná podľa štandardnej skúšobnej metódy a môže sa použiť na porovnanie jedného nástroja s druhým.

POZNÁMKA: Deklarovaná celková hodnota vibrácií sa môže použiť aj na predbežné posúdenie vystavenia ich účinkom.

VAROVANIE: Emisie vibrácií sa môžu počas skutočného používania elektrického nástroja odlišovať od deklarovanej hodnoty, a to v závislosti od spôsobov používania náradia a najmä typu spracúvaného obrobku.

VAROVANIE: Nezabudnite označiť bezpečnostné opatrenia s cieľom chrániť obsluhu, a to tie, ktoré sa zakladajú na odhade vystavenia účinkom v rámci reálnych podmienok používania (berúc do úvahy všetky súčasti prevádzkového cyklu, ako sú doby, kedy je nástroj vypnutý a kedy beží bez zaťaženia, ako dodatok k dobe zapnutia).

Vyhľadanie o zhode ES

Len pre krajiny Európy

Vyhľadanie o zhode ES sa nachádza v prílohe A tohto návodu na obsluhu.

BEZPEČNOSTNÉ VAROVANIA

Všeobecné bezpečnostné predpisy pre elektrické nástroje

VAROVANIE: Preštudujte si všetky bezpečnostné varovania, pokyny, vyobrazenia a technické špecifikácie určené pre tento elektrický nástroj. Pri nedodržaní všetkých nižšie uvedených pokynov môže dôjsť k úrazu elektrickým prúdom, požiaru alebo vážnemu zraneniu.

Všetky výstrahy a pokyny si odložte pre prípad potreby v budúcnosti.

Pojem „elektrický nástroj“ sa vo výstrahách vzťahuje na elektricky napájané elektrické nástroje (s káblom) alebo batériou napájané elektrické nástroje (bez kábla).

Bezpečnostné varovania pre prenosnú akumulátorovú pásovú pílu

1. Pri rezaní držte elektrický nástroj len za izolované úchopné povrchy, pretože rezné príslušenstvo sa môže dostať do kontaktu so skrytými vodičmi. Rezné príslušenstvo, ktoré sa dostane do kontaktu s vodičom pod napätím, môže spôsobiť prechod elektrického prúdu kovovými časťami elektrického nástroja a spôsobiť tak obsluhu zasiahnutie elektrickým prúdom.
2. Používajte len čepele uvedené v časti **TECHNICKÉ ŠPECIFIKÁCIE**.
3. Pred prácou dôkladne skontrolujte, či sa na čepeli nenachádzajú praskliny alebo iné poškodenie. Prasknutú alebo poškodenú čepeľ okamžite vymeňte.
4. Obrobok pevne zaistíte. Pri rezaní viacerých obrobkov naraz dbajte na to, aby boli všetky obrobky pred rezaním pevne zaistené dohromady.
5. Rezanie obrobkov s vrstvou oleja môže spôsobiť neočakávané uvoľnenie čepele. Pred rezaním utrite všetok prebytočný olej z obrobkov.
6. Nikdy nepoužívajte rezný olej ako rezné mazivo. Používajte len rezný vosk Makita.
7. Nástroj držte pevne.

8. Nepribližujte ruky k otáčajúcim sa častiam.
9. Pri rezaní kovu si dávajte pozor na horúce odletujúce piliny.
10. Nenechávajte nástroj v prevádzke bez dozoru.
11. Nedotýkajte sa čepele ani obrobku hneď po práci; môžu byť extrémne horúce a môžu vám spôsobiť popáleniny.

Dôležité bezpečnostné a prevádzkové pokyny pre akumulátor

1. Pred použitím akumulátora si prečítajte všetky pokyny a výstažné označenia na (1) nabíjačke akumulátorov, (2) akumulátore a (3) produkte používajúcom akumulátor.
2. Akumulátor nerozoberajte.
3. Ak sa doba prevádzky príliš skráti, ihneď prerušte prácu. Môže nastať riziko prehriatia, možných popálením či dokonca explózie.
4. V prípade zasiahnutia očí elektrolytom ich vypláchnite čistou vodou a okamžite vyhľadajte lekársku pomoc. Môže dôjsť k strate zraku.
5. Akumulátor neskratujte:
 - (1) Nedotýkajte sa konektorov žiadnym vodičným materiálom.
 - (2) Neskladujte akumulátor v obale s inými kovovými predmetmi, napríklad klíncami, mincami a pod.
 - (3) Akumulátor nevystavujte vode ani dažďu. Skrat akumulátora môže spôsobiť veľký tok prúdu, prehriatie, možné popálenie či dokonca poruchu.
6. Neskladujte nástroj ani akumulátor na miestach s teplotou presahujúcou 50 °C (122 °F).
7. Akumulátor nespáľujte, ani keď je vážne poškodený alebo úplne opotrebovaný. Akumulátor môže v ohni explodovať.
8. Dávajte pozor, aby akumulátor nespadol, a nevystavujte ho nárazom.
9. Nepoužívajte poškodený akumulátor.
10. Litium-iónové akumulátory, ktoré sú súčasťou náradia, podliehajú požiadavkám legislatívy o nebezpečnom tovare.

V prípade obchodnej prepravy, napr. dodanie tretími stranami či špeditériami, sa musia dodržiavať špeciálne požiadavky na zabalenie a označenie. Pred prípravou položky na odoslanie sa vyžaduje konzultácia s odborníkom na nebezpečný materiál. Taktiež treba dodržiavať potenciálne podrobnejšie predpisy príslušnej krajiny. Prelepte alebo zakryte otvorené kontakty a zabaľte akumulátor tak, aby sa v balíku nemohol voľne pohybovať.
11. Akumulátor pri likvidácii odstráňte z nástroja a zlikvidujte ho na bezpečnom mieste. Akumulátor zlikvidujte v súlade s miestnymi nariadeniami.
12. Akumulátory používajte iba s výrobkami uvedenými spoločnosťou Makita. Inštalácia akumulátorov do nevyhovujúcich výrobkov môže spôsobiť požiar, nadmerné teplo, výbuch alebo únik elektrolytov.
13. Ak sa nástroj dlhší čas nepoužíva, odstráňte z neho akumulátor.

TIETO POKYNY USCHOVAJTE.

⚠️ POZOR: Používajte len originálne akumulátory od spoločnosti Makita. Používanie batérií, ktoré nie sú od spoločnosti Makita, alebo upravených batérií môže spôsobiť výbuch batérie a následný požiar, zranenie osôb alebo poškodeniu majetku. Následkom bude aj zrušenie záruky od spoločnosti Makita na nástroj a nabíjačku od spoločnosti Makita.

Rady na udržanie maximálnej životnosti akumulátora

1. Akumulátor nabíjajte ešte predtým, ako sa úplne vybije. Vždy prerušte prácu s nástrojom a nabíjajte akumulátor, keď spozorujete nižší výkon nástroja.
2. Nikdy nenabíjajte plne nabitý akumulátor. Prebíjanie skracuje životnosť akumulátora.
3. Akumulátor nabíjajte pri izbovej teplote 10 °C – 40 °C (50 °F – 104 °F). Pred nabíjaním nechajte horúci akumulátor vychladnúť.
4. Lítium-iónový akumulátor nabíjajte, ak ste ho nepoužívali dlhšie ako šesť mesiacov.

OPIS FUNKCIÍ

⚠️ POZOR: Pred úpravou alebo kontrolou funkčnosti nástroja vždy skontrolujte, či je nástroj vypnutý a akumulátor je vybrať.

Inštalácia alebo demontáž akumulátora

⚠️ POZOR: Pred inštaláciou alebo vybratím akumulátora nástroj vždy vypnite.

⚠️ POZOR: Pri inštalovaní a vyberaní akumulátora pevne uchopíte nástroj a akumulátor. Ak nástroj a akumulátor pevne neuchoptíte, môže to mať za následok vyšmyknutie z vašich rúk s dôsledkom poškodenia nástroja a akumulátora, ako aj osobných poranení.

- Obr.1: 1. Červený indikátor 2. Tlačidlo 3. Akumulátor

Ak chcete vybrať akumulátor, vysuňte ho z nástroja, pričom posuňte tlačidlo na prednej strane akumulátora.

Akumulátor vložíte tak, že jazýček akumulátora zarovnáte s drážkou v kryte a zasuniete ho na miesto. Zatlačte ho úplne, kým zakliknutím nezapadne na miesto. Ak vidíte červený indikátor na hornej strane tlačidla, nie je správne zapadnutý.

⚠️ POZOR: Akumulátor vždy nainštalujte úplne, až kým nie je vidieť červený indikátor. V opačnom prípade môže náhodne vypadnúť z nástroja a ublížiť vám alebo osobám v okolí.

⚠️ POZOR: Pri inštalovaní akumulátora nepoužívajte silu. Ak sa akumulátor nedá zasunúť ľahko, nevkladáte ho správne.

Indikácia zvyšnej kapacity akumulátora

Len na akumulátory s indikátorom

► Obr.2: 1. Indikátory 2. Tlačidlo kontroly

Stlačením tlačidla kontroly na akumulátore zobrazíte zostávajúcu kapacitu akumulátora. Indikátory sa na niekoľko sekúnd rozsvietia.

Indikátory			Zostávajúca kapacita
Svieti	Nesvieti	Bliká	
■ ■ ■ ■			75 % až 100 %
■ ■ ■ □			50 % až 75 %
■ ■ □ □			25 % až 50 %
■ □ □ □			0 % až 25 %
▣ □ □ □			Akumulátor nabíjate.
■ ■ □ □		↑ ↓	Akumulátor je možno chybný.

POZNÁMKA: V závislosti od podmienok používania a v závislosti od okolitej teploty sa môže zobrazenie mierne odlišovať od skutočnej kapacity.

Systém na ochranu nástroja/akumulátora

Nástroj je vybavený systémom ochrany nástroja/akumulátora. Tento systém automaticky vypne napájanie motora s cieľom predĺžiť životnosť nástroja a akumulátora. Nástroj sa počas prevádzky automaticky zastaví v prípade, ak sa nástroj alebo akumulátor dostanú do jedného z nasledujúcich stavov:

Ochrana proti preťaženiu

Keď sa akumulátor používa spôsobom, ktorý spôsobuje odber neštandardne vysokého prúdu, nástroj sa bez upozornenia automaticky vypne. V tejto situácii vypnite nástroj a ukončíte prácu, ktorá spôsobuje jeho preťažovanie. Potom nástroj znova zapnite.

Ochrana pred prehrievaním

Keď sa nástroj prehreje, automaticky sa zastaví a začne blikať lampa. V takomto prípade nechajte nástroj a akumulátor pred opätovným spustením vychladnúť.

Ochrana pred nadmerným vybitím

Keď je kapacita akumulátora nedostatočná, nástroj sa automaticky vypne. V takomto prípade vyberte akumulátor z nástroja a nabíjajte ho.

Hák

⚠️ POZOR: Nikdy nástroj nevešajte vysoko ani na potenciálne nestabilné miesto.

Háček je vhodný na dočasné zavesenie nástroja. Ak chcete použiť háček, jednoducho ho nadvihnite a počkajte, kým nezapadne do otvorenej polohy. Keď sa nepoužíva, vždy ho zaistíte v zatvorenej polohe.

Otvorená poloha

► Obr.3: 1. Hák

Zatvorená poloha

► Obr.4: 1. Hák

Zapínanie

⚠️ VAROVANIE: Pred vložením akumulátora do nástroja sa vždy presvedčite, či spúšťači spínač funguje správne a po uvoľnení sa vráti do pozície „OFF“.

⚠️ VAROVANIE: NIKDY neobchádzajte použitie tlačidla odomknutia jeho prilepením v stlačenej polohe alebo inými prostriedkami. Spínač s vyradeným tlačidlom odomknutia môže spôsobiť náhodné spustenie s dôsledkom vážnych osobných poranení.

⚠️ VAROVANIE: NIKDY nepoužívajte nástroj, ak sa spustí pri stlačení len spúšťačieho spínača bez stlačenia tlačidla odomknutia. Vypínač, ktorý potrebuje opravu, môže spôsobiť náhodné spustenie a vážne osobné poranenie. PRED ďalším použitím vráťte nástroj do servisného centra Makita, kde ho dôkladne opravia.

Nástroj je vybavený tlačidlom odomknutia, ktoré bráni náhodnému potiahnutiu spúšťačieho spínača. Ak chcete spustiť nástroj, stlačte tlačidlo odomknutia a potiahnite spúšťači spínač.

Rýchlosť nástroja sa zvyšuje zvyšovaním prítlaku na spúšťači spínač. Nástroj zastavíte uvoľnením spúšťačieho spínača.

► Obr.5: 1. Tlačidlo odomknutia 2. Spúšťači spínač

Zapnutie prednej lampy

⚠️ POZOR: Neďívajte sa priamo do svetla ani jeho zdroja.

Lampu rozsvietite stlačením spúšťačieho spínača. Lampa svieti, kým stlačíte spúšťači spínač. Lampa zhasne asi 10 sekúnd po uvoľnení spúšťačieho spínača.

► Obr.6: 1. Lampa

POZNÁMKA: Lampu nevystavujte nárazom. Môže to spôsobiť poškodenie alebo kratšiu životnosť.

POZNÁMKA: Suchou tkaninou utrite znečistené šošovky lampy. Dávajte pozor, aby sa šošovky lampy nepoškriabali. Mohla by sa znížiť intenzita osvetlenia.

POZNÁMKA: Ak sa nástroj pregreje, lampa bude jednu minútu blikať a následne zhasne. V takomto prípade pred ďalšou činnosťou nechajte náradie vychladnúť.

ZOSTAVENIE

⚠️ POZOR: Pred vykonaním akejkoľvek práce na nástroji vždy skontrolujte, či je nástroj vypnutý a akumulátor je vybrať.

Montáž alebo demontáž čepele pásovej píly

⚠️ POZOR: Olej na čepeli pásovej píly môže spôsobiť neočakávané zošmyknutie alebo uvoľnenie čepele. Pred montážou čepele pásovej píly utrite všetok prebytočný olej handričkou.

⚠️ POZOR: Pri manipulácii s čepelou pásovej píly vždy používajte ochranné rukavice.

⚠️ POZOR: Pri manipulácii s čepelou pásovej píly si dávajte pozor, aby ste sa neporezali o ostrý okraj zubov čepele.

⚠️ POZOR: Pri kontrole pohybu čepele buďte v dostatočnej vzdialenosti od čepele pásovej píly.

⚠️ POZOR: Pri otáčaní páčky na dotiahnutie čepele v smere hodinových ručičiek na uvoľnenie napnutia čepele pásovej píly namierte nástroj nadol, pretože čepeľ pásovej píly sa môže nečakane uvoľniť.

Montáž čepele pásovej píly:

1. Otáčajte páčku na dotiahnutie čepele v smere hodinových ručičiek, kým sa kotúč neprestane povoľovať.
► Obr.7: 1. Uťahnuť 2. Povolíť 3. Páčka na dotiahnutie čepele

2. Otvorte kryt kotúča.

► Obr.8: 1. Kryt kotúča 2. Háčik

UPOZORNENIE: Pri otváraní krytu kotúča otvorte a uvoľnite oba háčiky naraz. Otvorenie len jedného háčika môže spôsobiť prasklinu na kryte kotúča.

3. Pripravte si čepeľ tak, aby šípky na čepeli pásovej píly zodpovedali šípkam na kotúčoch.

4. Vložte neozubenú stranu čepele pásovej píly do horného držiaka a spodného držiaka. Uistite sa, že čepeľ pásovej píly sa v hornom aj spodnom držiaku dotýka spodných ložísk.

► Obr.9: 1. Spodný držiak 2. Horný držiak 3. Spodné ložisko

5. Stlačte strednú časť čepele pásovej píly a umiestnite čepeľ okolo jedného kotúča. Posunutím kotúča do strany A je to jednoduchšie.

► Obr.10: 1. Kotúč 2. Gumený plášť

6. Podobným spôsobom umiestnite čepeľ pásovej píly na druhý kotúč.

7. Okraj čepele pásovej píly umiestnite na gumený plášť.

8. Držte čepeľ pásovej píly na mieste a otáčajte páčku na dotiahnutie čepele proti smeru hodinových ručičiek, kým sa nezastaví. Tým sa nastaví správne napnutie čepele pásovej píly.

9. Zatvorte kryt kotúča.

UPOZORNENIE: Skontrolujte, či je čepeľ pásovej píly správne umiestnená okolo kotúčov.

UPOZORNENIE: Dva- až trikrát spustíte a zastavte nástroj, aby ste sa uistili, že sa čepeľ pásovej píly na kotúčoch správne pohybuje.

Pri demontáži čepele pásovej píly postupujte v opačnom poradí postupu montáže.

Nastavenie dráhy čepele

Keď má čepeľ pásovej píly sklon k zošmykovaniu sa z kotúča, upravte dráhu čepele.

Ak ju chcete upraviť, vložte imbusový kľúč do nastavovacieho otvoru podľa obrázka a otočte o štvrt' otáčky v smere hodinových ručičiek. Potom skontrolujte, či sa čepeľ pásovej píly nezošmykuje.

Ak sa stále zošmykuje, otočte ešte o štvrt' otáčky a znova skontrolujte, až kým sa čepeľ pásovej píly nebude zošmykovať.

► Obr.11: 1. Imbusový kľúč 2. Nastavovací otvor

Nastavovanie polohy dosky zarážky

Pri bežnom používaní posuňte dosku zarážky úplne do strany A.

Keď doska zarážky na konci rezu naráža do prekážok, ako je stena a podobne, povoľte dve skrutky a posuňte ju do strany B podľa obrázka.

Po posunutí dosky zarážky zaistite pevným dotiahnutím dvoch skrutiek.

► Obr.12: 1. Doska zarážky 2. Skrutky 3. Čepeľ pásovej píly

PREVÁDZKA

▲POZOR: Akumulátor vložte tak, aby zapadol na svoje miesto. Ak vidíte červený indikátor na hornej strane tlačidla, nie je správne zapadnutý. Zasuňte ho teda úplne tak, aby tento červený indikátor nebolo vidieť. V opačnom prípade môže náhodne vypadnúť z nástroja a ublížiť vám alebo osobám v okolí.

▲POZOR: Vždy držte za rukoväť. Nástroj nikdy nedržte za telo ani ochranné kryty. Ruky sa vám môžu z týchto častí nástroja zošmyknúť a dostať do kontaktu s čepeľou pásovej píly. Môže dôjsť k zraneniu.

▲POZOR: Uistite sa, že je kryt kotúča bezpečne zatvorený.

▲POZOR: Pri zapínaní alebo vypínaní nástroja a pri rezaní držte nástroj pevne. V opačnom prípade môže nástroj spadnúť a spôsobiť zranenie.

▲POZOR: Pri rezaní kovu vždy používajte rukavice, ktoré ochránia vaše ruky pred horúcim odletujúcimi odrezkami.

▲POZOR: Nepribližujte sa telom a tvárou k čepeľ pásovej píly a odletujúcim trieskam.

Na zaistenie stabilného rezu dbajte na to, aby boli v reze vždy aspoň dva zuby.

► Obr.13

Umiestnite čepeľ pásovej píly do vhodnej reznej polohy na obrobku podľa obrázka.

► Obr.14

1. Nástroj držte podľa obrázka.

Pred zapnutím nástroja sa vždy uistite, že sa doska zarážky dotýka obrobku a že je čepeľ pásovej píly mimo obrobku.

► Obr.15

2. Zapnite nástroj a počkajte, kým čepeľ pásovej píly nedosiahne maximálne otáčky. Opatrne priložte čepeľ k rezu. Hmotnosť nástroja alebo jemné pritlačenie nástroja poskytnú dostatočný tlak na rezanie. Nevývíjajte na nástroj veľký tlak.

► Obr.16

3. Po dosiahnutí konca rezu uvoľnite tlak a nástroj mierne zdvihnite, aby nespadol na obrabok.

UPOZORNENIE: Vyvíjanie nadmerného tlaku na nástroj alebo skrútenie čepele pásovej píly môže spôsobiť skosené rezanie alebo poškodiť čepeľ.

UPOZORNENIE: Ak nástroj nebudete dlhodobou používať, demontujte čepeľ pásovej píly z nástroja.

UPOZORNENIE: Ak sa s nástrojom pracuje nepretržite až do vybitia akumulátora, pred ďalšou prácou s nabitým akumulátorom nechajte nástroj odpočívať aspoň 15 minút.

Rezné mazivo

Voliteľné prislúsenstvo

▲POZOR: Nikdy nepoužívajte rezný olej ani na čepeľ pásovej píly nenanášajte príliš veľa vosku. Môže spôsobiť neočakávané zošmyknutie alebo uvoľnenie čepele.

▲POZOR: Pri rezaní zliatiny nepoužívajte žiadne rezné vosky.

Pri rezaní kovov používajte rezný vosk Makita ako rezné mazivo. Ak chcete naniesť rezný vosk na zuby čepele pásovej píly, odstráňte viečko rezného vosku, spustíte nástroj a zarežete do rezného vosku podľa obrázka.

► Obr.17: 1. Rezný vosk

ÚDRŽBA

▲POZOR: Pred vykonaním kontroly alebo údržby vždy skontrolujte, či je nástroj vypnutý a akumulátor je vybratý.

UPOZORNENIE: Nepoužívajte benzin, riedidlo, alkohol ani podobné látky. Mohlo by to spôsobiť zmenu farby, deformácie alebo praskliny.

Ak chcete udržať BEZPEČNOSŤ a BEZPORUCHOVOSŤ výrobku, prenechajte opravy, údržbu a nastavenie na autorizované alebo továrenské servisné centrá Makita, ktoré používajú len náhradné diely značky Makita.

Čistenie

⚠ POZOR: Vosk a piliny na gumených plášťoch na kotúči môžu spôsobiť neočakávané zošmyknutie alebo uvoľnenie čepele pásovej píly. Vosk a piliny odstráňte z gumených plášťov suchou handričkou.

Po použití odstráňte vosk, piliny a prach z nástroja, gumených plášťov na kotúči a čepele pásovej píly.

Výmena gumených plášťov na kotúčoch

Gumené plášte na kotúčoch vymeňte, keď sa čepeľ pásovej píly zošmykuje alebo nedrží dráhu z dôvodu opotrebovania plášťov.

S požiadavkou na výmenu gumového plášťa sa obráťte sa na autorizované alebo továrenské servisné centrum Makita.

VOLITEĽNÉ PRÍSLUŠENSTVO

⚠ POZOR: Pre váš nástroj Makita, opísaný v tomto návode, doporučujeme používať toto príslušenstvo a nástavce. Pri použití iného príslušenstva či nástavcov môže hroziť nebezpečenstvo zranenia osôb. Príslušenstvo a nástavce sa môžu používať len na účely pre ne stanovené.

Ak potrebujete bližšie informácie týkajúce sa tohoto príslušenstva, obráťte sa na vaše miestne servisné stredisko firmy Makita.

- Originálna batéria a nabíjačka Makita
- Čepele pásovej píly
- Rezný vosk

POZNÁMKA: Niektoré položky zo zoznamu môžu byť súčasťou balenia nástrojov vo forme štandardného príslušenstva. Rozsah týchto položiek môže byť v každej krajine odlišný.

SPECIFIKACE

Model:		DPB184
Max. kapacita řezání	Kulatý obrobek	průměr 51 mm
	Hrnatý obrobek	51 mm × 51 mm
Rychlost pilového listu		0 – 3,2 m/s (0 – 190 m/min)
Velikost listu	Délka	730 mm
	Šířka	13 mm
	Tloušťka	0,5 mm
Rozměry (D × Š × V) bez krytu kotouče		373 mm × 162 mm × 223 mm
Jmenovité napětí		18 V DC
Čistá hmotnost bez krytu kotouče		3,3 – 3,6 kg

- Vzhledem k neustálému výzkumu a vývoji zde uvedené technické údaje podléhají změnám bez upozornění.
- Specifikace se mohou pro různé země lišit.
- Hmotnost se může lišit v závislosti na nastavcích a přídatných zařízeních, včetně akumulátoru. Nejlehčí a nejtěžší kombinace, dle EPTA-Procedure 01/2014, jsou uvedeny v tabulce níže.

Použitelný akumulátor a nabíječka

Akumulátor	BL1815N / BL1820 / BL1820B / BL1830 / BL1830B / BL1840 / BL1840B / BL1850 / BL1850B / BL1860B
Nabíječka	DC18RC / DC18RD / DC18RE / DC18SD / DC18SE / DC18SF / DC18SH

- V závislosti na regionu vašeho bydliště nemusí být některé akumulátory a nabíječky k dispozici.

VAROVÁNÍ: Používejte pouze výše uvedené akumulátory a nabíječky. Použití jiných akumulátorů a nabíječek může způsobit zranění a/nebo požár.

Účel použití

Nářadí je určeno k řezání plastů a železných materiálů.

Hlučnost

Typická vážená hladina hluku (A) určená podle normy EN60745-2-20:

Hladina akustického tlaku (L_{pA}): 80 dB(A)
Nejistota (K): 3 dB(A)

Hladina hluku při práci může překročit hodnotu 80 dB (A).

POZNÁMKA: Celková(é) hodnota(y) emisí hluku byla(y) změřena(y) v souladu se standardní zkušební metodou a dá se použít k porovnání nářadí mezi sebou.

POZNÁMKA: Hodnotu(y) deklarovaných emisí hluku lze také použít k předběžnému posouzení míry expozice vibracím.

VAROVÁNÍ: Používejte ochranu sluchu.

VAROVÁNÍ: Emise hluku se při používání elektrického nářadí ve skutečnosti mohou od deklarované(ých) hodnot(y) lišit v závislosti na způsobech použití nářadí.

VAROVÁNÍ: Nezapomeňte stanovit bezpečnostní opatření na ochranu obsluhy podle odhadu expozice ve skutečných podmínkách použití. (Vezměte přitom v úvahu všechny části provozního cyklu, tj. kromě doby zátěže například doby, kdy je nářadí vypnuté a kdy běží naprázdno.)

Vibrace

Celková hodnota vibrací (vektorový součet tří os) určená podle normy EN60745-2-20:

Pracovní režim: Řezání kovu
Emise vibrací ($a_{h, M}$): 2,5 m/s² nebo méně
Nejistota (K): 1,5 m/s²

POZNÁMKA: Celková(é) hodnota(y) deklarovaných vibrací byla(y) změněna(y) v souladu se standardní zkušební metodou a dá se použít k porovnání nářadí mezi sebou.

POZNÁMKA: Celkovou(é) hodnotu(y) deklarovaných vibrací lze také použít k předběžnému posouzení míry expozice vibracím.

VAROVÁNÍ: Emise vibrací se při používání elektrického nářadí ve skutečnosti mohou od deklarované(ých) hodnot(y) lišit v závislosti na způsobech použití nářadí.

VAROVÁNÍ: Nezapomeňte stanovit bezpečnostní opatření na ochranu obsluhy podle odhadu expozice ve skutečných podmínkách použití. (Vezměte přitom v úvahu všechny části provozního cyklu, tj. kromě doby zátěže například doby, kdy je nářadí vypnuté a kdy běží naprázdno.)

Prohlášení ES o shodě

Pouze pro evropské země

Prohlášení ES o shodě je obsaženo v Příloze A tohoto návodu k obsluze.

BEZPEČNOSTNÍ VÝSTRAHY

Obecná bezpečnostní upozornění k elektrickému nářadí

VAROVÁNÍ: Přečtěte si všechny bezpečnostní výstrahy i pokyny a prohlédněte si ilustrace a specifikace dodané k tomuto elektrickému nářadí. Nedodržení všech níže uvedených pokynů může vést k úrazu elektrickým proudem, požáru či vážnému zranění.

Všechna upozornění a pokyny si uschovejte pro budoucí potřebu.

Pojem „elektrické nářadí“ v upozorněních označuje elektrické nářadí, které se zapojuje do elektrické sítě, nebo elektrické nářadí využívající akumulátory.

Přenosná akumulátorová pásová pila Bezpečnostní výstrahy

1. Při práci v místech, kde může dojít ke kontaktu nástrojů z příslušenství se skrytým elektrickým vedením, držte elektrické nářadí za izolované části držadel. Řezací příslušenství může při kontaktu s vodičem pod napětím přenést proud do nechráněných kovových částí elektrického nářadí a obsluha může utrpět úraz elektrickým proudem.
2. Používejte pouze pilové listy, které jsou uvedeny v části „SPECIFIKACE“.
3. Před zahájením provozu pečlivě zkontrolujte kotouč, zda nevykazuje známky trhlin nebo poškození. Popraskaný nebo poškozený kotouč okamžitě vyměňte.
4. Obráběný materiál pevně zajistěte. Při řezání svazku obrobků dbejte na to, aby byly všechny obrobky před samotným řezáním pevně spojeny k sobě.
5. Jsou-li řezané obrobky pokryty olejem, může dojít k vyskočení pilového listu. Před řezáním otřete veškerý přebytečný olej z obrobků.
6. Nikdy nepoužívejte řezný olej jako řeznou kapalinu. Používejte výhradně řezný vosk Makita.
7. Držte nářadí pevně.
8. Nepřibližujte ruce k otáčejícím se částem.
9. Při řezání kovu dávejte pozor na odlétající horké kovové třísky.
10. Nenechávejte nářadí běžet bez dozoru.
11. Po ukončení práce se nedotýkejte pilového listu ani obrobku, neboť mohou dosahovat velmi vysokých teplot a způsobit popáleniny.

Důležitá bezpečnostní upozornění pro akumulátor

1. Před použitím akumulátoru si přečtěte všechny pokyny a varovné symboly na (1) nabíječe, (2) akumulátoru a (3) výrobku využívajícím akumulátor.
2. Akumulátor nerozebírejte.
3. Pokud se příliš zkrátí provozní doba akumulátoru, přerušete okamžitě práci. V opačném případě existuje riziko přehřívání, popálení nebo dokonce výbuchu.
4. Budou-li vaše oči zasaženy elektrolytem, vypláchněte je čistou vodou a okamžitě vyhledejte lékařskou pomoc. Může dojít ke ztrátě zraku.
5. Akumulátor nezkratujte:
 - (1) Nedotýkejte se svorek žádným vodivým materiálem.
 - (2) Neskladujte akumulátor v nádobě s jinými kovovými předměty, jako jsou hřebíky, mince, apod.
 - (3) Nevystavuje akumulátor vodě a dešti. Zkrat akumulátoru může způsobit velký průtok proudu, přehřátí, možné popálení a dokonce i poruchu.
6. Neskladujte nářadí a akumulátor na místech, kde může teplota překročit 50 °C (122 °F).
7. Nespalujte akumulátor, ani když je vážně poškozen nebo úplně opotřeben. Akumulátor může v ohni vybuchnout.
8. Dávejte pozor, abyste akumulátor neupustili ani s ním nenaráželi.
9. Nepoužívejte poškozené akumulátory.
10. Obsažené lithium-iontové akumulátory podléhají právním požadavkům na nebezpečné zboží. V případě komerční přepravy například externími dopravci je třeba dodržet zvláštní požadavky na balení a značení.

Pro přípravu zboží k přepravě je nutná konzultace s odborníkem na nebezpečný materiál. Dodržujte také případné podrobnější národní předpisy. Odkryté kontakty přelepte izolační páskou či jinak zakryjte a akumulátory zabalte tak, aby se v balení nemohly pohybovat.
11. Při likvidaci akumulátoru jej vyjměte z nářadí a zlikvidujte jej na bezpečném místě. Při likvidaci akumulátoru postupujte podle místních předpisů.
12. Akumulátor používejte pouze s výrobky specifikovanými společností Makita. Instalace akumulátoru do nevhodujících výrobků může způsobit požár, nadměrné zahřívání, explozi nebo únik elektrolytu.
13. Pokud nářadí delší dobu nepoužíváte, je nutné z něj akumulátor vyjmout.

TYTO POKYNY USCHOVEJTE.

UPOZORNĚNÍ: Používejte pouze originální akumulátory Makita. Používání neoriginálních nebo upravených akumulátorů může způsobit explozi akumulátoru a následný požár, zranění a jiné poškození. Zaniká tím také záruka společnosti Makita na nářadí a nabíječku Makita.

Tipy k zajištění maximální životnosti akumulátoru

1. Akumulátor nabíjte dříve, než dojde k jeho úplnému vybití. Pokud si povšimnete sníženého výkonu nářadí, vždy jej zastavte a dobijte akumulátor.
2. Nikdy nenabíjete úplně nabitý akumulátor. Přebíjení zkracuje životnost akumulátoru.
3. Akumulátor dobíjete při pokojové teplotě od 10 °C do 40 °C (50 °F až 104 °F). Před nabíjením nechte horký akumulátor zchladnout.
4. Pokud se akumulátor delší dobu nepoužívá (déle než šest měsíců), je nutno jej dobít.

POPIS FUNKCÍ

⚠ UPOZORNĚNÍ: Před nastavováním nářadí nebo kontrolou jeho funkce se vždy přesvědčte, zda je vypnuté a je vyjmutý akumulátor.

Nasazení a sejmутí akumulátoru

⚠ UPOZORNĚNÍ: Před nasazením či sejmутím akumulátoru nářadí vždy vypněte.

⚠ UPOZORNĚNÍ: Při nasazování či snímání akumulátoru pevně držte nářadí i akumulátor. V opačném případě vám může nářadí nebo akumulátor vyklouznout z rukou a mohlo by dojít k jejich poškození či ke zranění.

- Obr.1: 1. Červený indikátor 2. Tlačítko 3. Akumulátor

Chcete-li akumulátor sejmout, vysuňte jej se současným přesunutím tlačítka na přední straně akumulátoru.

Při nasazování akumulátoru vyrovnajte jazýček na bloku akumulátoru s drážkou v krytu a zasuňte akumulátor na místo. Akumulátor zasuňte na doraz, až zacvakne na své místo. Není-li tlačítko zcela zajištěno, uvidíte na jeho horní straně červený indikátor.

⚠ UPOZORNĚNÍ: Akumulátor zasunujte vždy zcela tak, aby nebyl červený indikátor vidět. Jinak by mohl akumulátor ze zařazení vypadnout a způsobit zranění obsluze či přihlížejícím osobám.














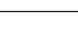

⚠ UPOZORNĚNÍ: Akumulátor nenasazujte násilím. Nelze-li akumulátor zasunout snadno, nevkládate jej správně.

Indikace zbývající kapacity akumulátoru

Pouze pro akumulátory s diodovým ukazatelem

► Obr.2: 1. Kontrolky 2. Tlačítko kontroly

Stisknutím tlačítka kontroly na akumulátoru zjistíte zbývající kapacitu akumulátoru. Kontrolky indikátoru se na několik sekund rozsvítí.

Kontrolky			Zbývající kapacita
 Svítí	 Nesvítí	 Bliká	
			75 % až 100 %
			50 % až 75 %
			25 % až 50 %
			0 % až 25 %
			Nabíjete akumulátor.
			Došlo pravděpodobně k poruše akumulátoru.

POZNÁMKA: Kapacita udávaná indikátorem se může mírně lišit od skutečné kapacity v závislosti na podmínkách používání a teplotě prostředí.

Systém ochrany nářadí a akumulátoru

Nářadí je vybaveno systémem ochrany nářadí a akumulátoru. Tento systém automaticky přeruší napájení motoru, aby se prodloužila životnost nářadí a akumulátoru. Budou-li nářadí nebo akumulátor vystaveny některé z níže uvedených podmínek, nářadí se během provozu automaticky vypne:

Ochrana proti přetížení

Pokud se s akumulátorem pracuje způsobem vyvolávajícím mimořádně vysoký odběr proudu, nářadí se automaticky a bez jakékoli signalizace vypne. V takové situaci nářadí vypnete a ukončíte činnost, při níž došlo k přetížení nářadí. Potom nářadí zapnete a obnovte činnost.

Ochrana proti přehřátí

Při přehřátí se nářadí automaticky vypne a rozblíká se světlo. V takové situaci nechte nářadí a akumulátor před opětovným zapnutím vychladnout.

Ochrana proti přílišnému vybití

V případě nedostačující kapacity akumulátoru se nářadí automaticky vypne. V takovém případě vyjměte akumulátor z nářadí a nabíjete jej.

Háček

⚠️ UPOZORNĚNÍ: Nikdy narádí nezavěšujte ve výšce nebo na potenciálně nestabilním místě.

Háček je vhodný k dočasnému pověšení nářadí. Chcete-li háček použít, jednoduše jej vyklepnete, až zacvakne do otevřené polohy. Když háček nepoužíváte, vždy jej sklopte, až zacvakne do zavřené polohy.

Otevřená poloha

► **Obr.3:** 1. Háček

Zavřená poloha

► **Obr.4:** 1. Háček

Používání spouště

⚠️ VAROVÁNÍ: Před vložením akumulátoru do nářadí vždy zkontrolujte správnou funkci spouště, a zda se po uvolnění vrátí do vypnuté polohy.

⚠️ VAROVÁNÍ: NIKDY neblokuje funkci odjišťovacího tlačítka zalepením páskou ani jinými způsoby. Spínač se zablokovaným odjišťovacím tlačítkem může být příčinou neúmyslného zapnutí a vážného zranění.

⚠️ VAROVÁNÍ: NIKDY nepoužívejte nářadí, které lze spustit pouhým stisknutím spouště bez použití odjišťovacího tlačítka. Spínač vyžadující opravu může způsobit neúmyslné zapnutí a vážné zranění. V takovém případě nářadí PŘED dalším použitím předejte servisnímu středisku Makita k opravě.

Abyste nedocházelo k náhodnému stisknutí spouště je nářadí vybaveno odjišťovacím tlačítkem. Chcete-li nářadí spustit, stisknete odjišťovací tlačítko a potom spoušť.

Otáčky nářadí se zvyšují zvyšováním tlaku na spoušť. Chcete-li nářadí vypnout, uvolněte spoušť.

► **Obr.5:** 1. Odjišťovací tlačítko 2. Spoušť

Rozsvícení předního světla

⚠️ UPOZORNĚNÍ: Nedívejte přímo do světla nebo jeho zdroje.

Při stisknutí spouště se rozsvítí světlo. Světlo svítí po celou dobu stisknutí spouště. Světlo zhasne přibližně za 10 sekund po uvolnění spouště.

► **Obr.6:** 1. Světlo

POZNÁMKA: Na světlo nenarážejte, protože může dojít k jeho poškození nebo zkrácení životnosti.

POZNÁMKA: K očištění nečistot ze skla světla použijte suchý hadřík. Dbejte, abyste sklo světla nepoškrábali. Mohlo by dojít ke snížení svítivosti.

POZNÁMKA: Pokud dojde k přehřátí nářadí, bude světlo minutu blikat a potom se vypne. V takovém případě nechte nářadí před obnovením práce vychladnout.

SESTAVENÍ

⚠️ UPOZORNĚNÍ: Před prováděním jakýchkoli prací na nářadí se vždy přesvědčte, zda je vypnuté a je vyjmutý akumulátor.

Montáž a demontáž listu pásové pily

⚠️ UPOZORNĚNÍ: Olej na listu pásové pily může způsobit, že pilový list neočekávaně vyklouzne nebo vyskočí. Před montáží listu pásové pily otřete veškerý olej pomocí hadříku.

⚠️ UPOZORNĚNÍ: Při manipulaci s listem pásové pily vždy používejte ochranné rukavice.

⚠️ UPOZORNĚNÍ: Při manipulaci s listem pásové pily dávejte zvýšený pozor, aby nedošlo k pořežání o ostré hrany pilových zubů.

⚠️ UPOZORNĚNÍ: Při kontrole pohybu pilového listu stůjte tak, aby vaše tělo bylo v dostatečné vzdálenosti od listu pásové pily.

⚠️ UPOZORNĚNÍ: Když za účelem povolení pilového listu otáčíte utahovací páčkou listu směrem doprava, směřujte nářadí dolů, protože může dojít k neočekávanému vyskočení listu pásové pily.

Postup montáže listu pásové pily:

1. Otočte utahovací páčku listu doprava, dokud se nezastaví, a tím povolte kotouč.

► **Obr.7:** 1. Utahnout 2. Povolit 3. Uťahovací páčka listu

2. Otevřete kryt kotouče.

► **Obr.8:** 1. Kryt kotouče 2. Háček

POZOR: Při otvírání krytu kotouče otevřete a povolte oba háčky zároveň. Otevřeno pouze jednoho háčku může způsobit prasknutí krytu kotouče.

3. Srovnejte směr šipek na listu pásové pily a kotoučích.

4. Vložte hladkou stranu listu pásové pily do horního a spodního držáku. Ujistěte se, že list pásové pily v horním a spodním držáku se dotýká spodních ložisek.

► **Obr.9:** 1. Spodní držák 2. Horní držák 3. Spodní ložisko

5. Tlačte na střední část listu pásové pily a umístěte ho kolem kotouče. Tento postup si usnadníte tím, že kotouč posunete na stranu A.

► **Obr.10:** 1. Kotouč 2. Pryžový plášť

6. Podobným způsobem umístěte list pásové pily na druhý kotouč.

7. Umístěte hranu listu pásové pily na pryžový plášť.

8. Podržte list pásové pily na místě a otočte utahovací páčkou listu doleva, dokud se nezastaví. Tím se zajistí správné napnutí listu pásové pily.

9. Zavřete kryt kotouče.

POZOR: Ujistěte se, že je list pásové pily správně umístěn kolem kotoučů.

POZOR: Dvakrát nebo třikrát spusťte a vypněte nářadí a přitom zkontrolujte, zda list pásové pily na kotoučích běží řádným způsobem.

Vyjmutí listu pásové pily provedete opačným postupem.

Úprava dráhy listu

Jestliže list pásové pily vykluzuje z kotouče, upravte jeho dráhu.

Seřízení se provádí vložením šestihhranného klíče do seřizovacího otvoru dle obrázku a otočením o čtvrt otáčky doprava. Poté zkontrolujte, zda list pásové pily nevykluzuje.

Pokud stále vykluzuje, proveďte další čtvrt otáčky a zkontrolujte. Postupujte takto, dokud list pásové pily nepřejstane vykluzovat.

► **Obr.11:** 1. Šestihřanný klíč 2. Seřizovací otvor

Seřízení polohy desky s dorazem

Při běžném používání nástroje vytáhněte desku s dorazem zcela na stranu A.

Jestliže deska s dorazem naráží při konci řezání na překážku jako stěna apod., povolte dva šrouby a posuňte desku do strany B dle obrázku.

Po posunutí desky s dorazem ji zajistěte utažením dvou šroubů.

► **Obr.12:** 1. Deska s dorazem 2. Šrouby 3. List pásové pily

PRÁCE S NÁRADÍM

▲ UPOZORNĚNÍ: Akumulátor zasunujte vždy až na doraz, dokud není zajištěn na svém místě. Není-li tlačítko zcela zajištěno, uvidíte na jeho horní straně červený indikátor. Zasuňte akumulátor zcela tak, aby nebyl červený indikátor vidět. Jinak by mohl akumulátor z nářadí vypadnout a způsobit zranění obsluhy či osob v okolí.

▲ UPOZORNĚNÍ: Vždy držte držadlo. Nikdy nedržte nářadí za tělo nebo kryty. Ruce mohou z těchto částí sklouznout a následně dojde ke kontaktu s listem pásové pily. Taková situace může způsobit zranění.

▲ UPOZORNĚNÍ: Ujistěte se, že je kryt kotouče pevně uzavřen.

▲ UPOZORNĚNÍ: Při zapínání/vypínání nářadí či řezání je nutné ho pevně držet. Jinak by mohlo nářadí vypadnout a způsobit zranění.

▲ UPOZORNĚNÍ: Při řezání kovů vždy používejte rukavice, abyste si chránili ruce před odletujícími horkými kovovými třískami.

▲ UPOZORNĚNÍ: Tělo a obličej udržujte v dostatečné vzdálenosti od listu pásové pily a odletujících kovových třísek.

Pro stabilní řezání je nutné udržet v řezu vždy alespoň dva zuby.

► **Obr.13**

Položte list pásové pily na požadované místo k řezání na obrobek, dle obrázku.

► **Obr.14**

1. Držte nářadí podle obrázku.

Před zapnutím nářadí se vždy ujistěte, že je deska s dorazem v kontaktu s obrobkem a že se list pásové pily nedotýká obrobku.

► **Obr.15**

2. Nářadí zapněte a počkejte, dokud list pásové pily nedosáhne plné rychlosti. Pomalu spusťte pilový list na místo řezu. Hmotnost nářadí či lehké zatížení dodá potřebný tlak k řezání. Nepoužívejte při práci s nářadím nadměrnou sílu.

► **Obr.16**

3. Jakmile se přiblížíte ke konci řezu, přestaňte tlačít a nářadí lehce zdvihněte, aby nepropadlo pod obrobek.

POZOR: Nadměrný tlak na nářadí nebo kroucení listu pásové pily může způsobit úkos či poškození listu.

POZOR: Když není nářadí dlouho používáno, vyjměte list pásové pily.

POZOR: Je-li nářadí provozováno nepřetržitě až do vybití akumulátoru, nechejte nářadí po instalaci nabitého akumulátoru před dalším pokračováním v práci 15 minut v klidu.

Řezná kapalina

Volitelné příslušenství

▲ UPOZORNĚNÍ: Na list pásové pily nikdy nepoužívejte řezný olej nebo nadměrné množství vosku. Může to způsobit neočekávané vyklouznutí či vymrštění listu.

▲ UPOZORNĚNÍ: Při řezání litinového železa nepoužívejte řezný vosk.

Při řezání kovů používejte jako řeznou kapalinu řezný vosk Makita. Chcete-li nanést řezný vosk na zuby listu pásové pily, odstraňte kryt na řezném vosku, spusťte nářadí a řizněte do řezného vosku dle obrázku.

► **Obr.17:** 1. Řezný vosk

ÚDRŽBA

▲ UPOZORNĚNÍ: Před zahájením kontroly nebo údržby nářadí se vždy ujistěte, zda je vypnuté a je vyjmut akumulátor.

POZOR: Nikdy nepoužívejte benzín, benzen, ředidlo, alkohol či podobné prostředky. Mohlo by tak dojít ke změnám barvy, deformacím či vzniku prasklin.

K zachování BEZPEČNOSTI a SPOLEHLIVOSTI výrobku musí být opravy a veškerá další údržba či seřizování prováděny autorizovanými nebo továrními servisními středisky společnosti Makita s využitím náhradních dílů Makita.

Čištění

⚠ UPOZORNĚNÍ: Vosk a třísky na pryžových pláštích kotoučů mohou způsobit neočekávané vyklouznutí a vymrštění listu pásové pily. Pomocí hadříku otřete vosk a třísky z pryžových pláštů.

Po použití odstraňte vosk, třísky a piliny z náradí, pryžových pláštů na kotoučích a listu pásové pily.

Výměna pryžových pláštů na kotoučích

Jestliže jsou pryžové pláště velmi opotřebované a list pásové pily vyklouzává nebo nedrží dráhu, je nutné pryžové pláště vyměnit.

O výměnu pryžových pláštů požádejte autorizované či tovární servisní středisko Makita.

VOLITELNÉ PŘÍSLUŠENSTVÍ

⚠ UPOZORNĚNÍ: Pro náradí Makita popsané v tomto návodu doporučujeme používat následující příslušenství a nástavce. Při použití jiného příslušenství či nástavců může hrozit nebezpečí zranění osob. Příslušenství lze používat pouze pro stanovené účely.

Potřebujete-li bližší informace ohledně tohoto příslušenství, obraťte se na místní servisní středisko společnosti Makita.

- Originální akumulátor a nabíječka Makita
- Listy pásové pily
- Řezný vosk

POZNÁMKA: Některé položky seznamu mohou být k náradí přibaleny jako standardní příslušenství. Přibalené příslušenství se může v různých zemích lišit.

ТЕХНІЧНІ ХАРАКТЕРИСТИКИ

Модель:		DPB184
Макс. ріжуча спроможність	Кругла заготовітка	Діаметр 51 мм
	Прямокутна заготовітка	51 мм × 51 мм
Швидкість руху полотна		0–3,2 м/с (0–190 м/хв)
Розміри полотна	Довжина	730 мм
	Ширина	13 мм
	Товщина	0,5 мм
Розміри (Д × Ш × В) (без кожуха шківів)		373 мм × 162 мм × 223 мм
Номінальна напруга		18 В пост. струму
Маса нетто без кожуха шківів		3,3–3,6 кг

- Оскільки наша програма наукових досліджень і розробок триває безперервно, наведені тут технічні характеристики можуть бути змінені без попередження.
- У різних країнах технічні характеристики можуть бути різними.
- Вага може відрізнятися залежно від допоміжного обладнання, наприклад касети з акумулятором. Найлегші та найважчі комплекти, відповідно до стандарту ЕРТА (Європейська асоціація виробників електроінструменту) від січня 01/2014 року, представлено в таблиці.

Застосовна касета з акумулятором і зарядний пристрій

Касета з акумулятором	BL1815N / BL1820 / BL1820B / BL1830 / BL1830B / BL1840 / BL1840B / BL1850 / BL1850B / BL1860B
Зарядний пристрій	DC18RC / DC18RD / DC18RE / DC18SD / DC18SE / DC18SF / DC18SH

- Деякі касети з акумулятором і зарядні пристрої, які вказано вище, можуть бути недоступними залежно від вашого регіону або місця перебування.

⚠ПОПЕРЕДЖЕННЯ: Використовуйте лише касети з акумулятором і зарядні пристрої, перелічені вище. Використання будь-яких інших касет з акумулятором і зарядних пристроїв може призвести до травмування й/або пожежі.

Призначення

Інструмент призначено для різання пластмаси й чорних металів.

Шум

Рівень шуму за шкалою А в типовому виконанні, визначений відповідно до стандарту EN60745-2-20:

Рівень звукового тиску (L_{pA}): 80 дБ (А)

Похибка (К): 3 дБ (А)

Рівень шуму під час роботи може перевищувати 80 дБ (А).

ПРИМІТКА: Заявлене значення шуму було виміряно відповідно до стандартних методів тестування й може використовуватися для порівняння одного інструмента з іншим.

ПРИМІТКА: Заявлене значення шуму може також використовуватися для попереднього оцінювання впливу.

⚠ПОПЕРЕДЖЕННЯ: Користуйтеся засобами захисту органів слуху.

⚠ПОПЕРЕДЖЕННЯ: Залежно від умов використання рівень шуму під час фактичної роботи електроінструмента може відрізнятися від заявленого значення вібрації; особливо сильно на це впливає тип деталі, що оброблюється.

⚠ПОПЕРЕДЖЕННЯ: Забезпечте належні запобіжні заходи для захисту оператора, що відповідатимуть умовам використання інструмента (слід брати до уваги всі складові робочого циклу, як-от час, коли інструмент вимкнено та коли він починає працювати на холостому ході під час запуску).

Вібрація

Загальна величина вібрації (векторна сума трьох напрямків) визначена згідно з EN60745-2-20:

Режим роботи: різання металу

Вібрація (a_{hM}): 2,5 м/с² або менше

Похибка (К): 1,5 м/с²

ПРИМІТКА: Заявлене загальне значення вібрації було виміряно відповідно до стандартних методів тестування й може використовуватися для порівняння одного інструмента з іншим.

ПРИМІТКА: Заявлене загальне значення вібрації може також використовуватися для попереднього оцінювання впливу.

⚠ ПОПЕРЕДЖЕННЯ: Залежно від умов використання вібрація під час фактичної роботи електроінструмента може відрізнятися від заявленого значення вібрації; особливо сильно на це впливає тип деталі, що оброблюється.

⚠ ПОПЕРЕДЖЕННЯ: Забезпечте належні запобіжні заходи для захисту оператора, що відповідатимуть умовам використання інструмента (слід брати до уваги всі складові робочого циклу, як-от час, коли інструмент вимкнено та коли він починає працювати на холостому ході під час запуску).

Декларація про відповідність стандартам ЄС

Тільки для країн Європи

Декларацію про відповідність стандартам ЄС наведено в Додатку А до цієї інструкції з експлуатації.

ПОПЕРЕДЖЕННЯ ПРО ДОТРИМАННЯ ТЕХНІКИ БЕЗПЕКИ

Загальні застереження щодо техніки безпеки при роботі з електроінструментами

⚠ ПОПЕРЕДЖЕННЯ: Уважно ознайомтеся з усіма попередженнями про дотримання правил техніки безпеки, інструкціями, ілюстраціями та технічними характеристиками, що стосуються цього електроінструмента. Невиконання будь-яких інструкцій, перелічених нижче, може призвести до ураження електричним струмом, пожежі та/або тяжких травм.

Збережіть усі інструкції з техніки безпеки та експлуатації на майбутнє.

Термін «електроінструмент», зазначений у інструкції з техніки безпеки, стосується електроінструмента, який функціонує від електромережі (електроінструмент з кабелем живлення), або електроінструмента з живленням від батареї (безпроводний електроінструмент).

Правила техніки безпеки під час використання акумуляторної портативної стрічкової пили

1. Тримайте електроінструмент за призначені для цього ізовані поверхні під час роботи в місцях, де різальне приладдя може зачепити приховану електропроводку. Торкання різальним приладдям дроту під напругою може призвести до передавання напруги до оголених металевих частин інструмента й до ураження оператора електричним струмом.
2. Використовуйте лише полотна, указані в розділі «Технічні характеристики».
3. Перед початком роботи ретельно огляньте полотно на наявність тріщин або пошкоджень. У разі виявлення тріщин або пошкоджень негайно замініть полотно.
4. Надійно закріплюйте заготовку. Перш ніж почати різання кількох скріплених заготовок, переконайтеся, що заготовки міцно скріплені між собою.
5. Під час різання заготовок, укритих мастилом, полотно може зіскочити. Перед різанням протріть заготовки, щоб видалити зайве мастило.
6. Ніколи не використовуйте мастило для різання як змащувальний матеріал для різання за допомогою інструмента. Використовуйте лише віск Makita для різання.
7. Тримайте інструмент міцно.
8. Не наближайте руки до деталей, що обертаються.
9. Під час різання металу стежіть за гарячих ошукор.
10. Не залишайте без нагляду ввімкнений інструмент.
11. Не торкайтеся полотна або деталі одразу після різання: вони можуть бути дуже гарячими й спричинити опіки.

Важливі інструкції з безпеки для касети з акумулятором

1. Перед тим як користуватися касетою з акумулятором, слід прочитати всі інструкції та застережні знаки щодо (1) зарядного пристрою акумулятора, (2) акумулятора та (3) виробів, що працюють від акумулятора.
2. Не слід розбирати касету з акумулятором.
3. Якщо період роботи дуже покоротшав, слід негайно припинити користування. Це може призвести до виникнення ризику перегріву, опіку та навіть вибуху.
4. У разі потраплення електроліту в очі слід промити їх чистою водою та негайно звернутися до лікаря. Це може призвести до втрати зору.
5. Не закоротіть касету з акумулятором.
 - (1) Не слід торкатися клем будь-яким струмопровідним матеріалом.
 - (2) Не слід зберігати касету з акумулятором у ємності з іншими металевими предметами, такими як цвяхи, монети тощо.
 - (3) Не залишайте касету з акумулятором під дощем, запобігайте контакту з водою.Коротке замикання може призвести до появи значного струму, перегріву, можливих опіків та навіть виходу з ладу.

6. Не слід зберігати інструмент та касету з акумулятором в місцях, де температура може сягнути чи перевищити 50°C (122°F).
7. Не слід спалювати касету з акумулятором, навіть якщо вона була неодноразово пошкоджена або повністю спрацьована. Касета з акумулятором може вибухнути у вогні.
8. Не слід кидати або ударяти акумулятор.
9. Не слід використовувати пошкоджений акумулятор.
10. Літій-іонні акумулятори, що містяться в інструменті, мають відповідати вимогам законів про небезпечні товари.

Під час транспортування за допомогою комерційних перевезень, наприклад із залучанням третьої сторони та експедиторів, необхідно дотримуватись особливих вимог, вказаних на пакуванні й у маркуванні. Під час підготовки позиції до відправлення необхідно проконсультуватись зі спеціалістом з небезпечних матеріалів. Крім того, слід виконувати більш докладні національні настанови, якщо такі є. Заклейте відкриті контакти стрічкою або заховайте їх і запакуйте акумулятор таким чином, щоб він не міг рухатися в пакуванні.

11. Для утилізації касети з акумулятором витягніть її з інструмента та утилізуйте безпечним способом. Дотримуйтеся норм місцевого законодавства щодо утилізації акумуляторів.
12. Використовуйте акумулятори лише з виробами, указаними компанією Makita. Установлення акумуляторів у невідповідні вироби може призвести до пожежі, надмірного нагрівання, вибуху чи витіку електричності.
13. Якщо інструментом не користуватимуться протягом тривалого періоду часу, вийміть акумулятор з інструмента.

ЗБЕРІГАЙТЕ ЦІ ВКАЗІВКИ.

⚠ОБЕРЕЖНО: Використовуйте тільки акумулятори Makita. Використання акумуляторів, інших ніж оригінальні акумулятори Makita, або акумуляторів, конструкцію яких було змінено, може призвести до вибуху акумулятора і спричинити пожежу, травму або пошкодження. У зв'язку з цим також буде анульовано гарантію Makita на інструмент Makita і на зарядний пристрій.

Поради з забезпечення максимального строку експлуатації акумулятора

1. Касету з акумулятором слід заряджати до того, як він розрядиться повністю. Завжди слід зупиняти роботу інструмента та зарядити акумулятор, якщо ви помітили зменшення потужності інструмента.
2. Ніколи не слід заряджати повторно повністю заряджену касету з акумулятором. Перезарядження скорочує строк експлуатації акумулятора.
3. Заряджайте касету з акумулятором при кімнатній температурі 10°C - 40°C (50°F - 104°F). Перед тим як заряджати касету з акумулятором, слід зачекати, доки вона охолоне.
4. Якщо касета з акумулятором не використовувалася тривалий час (понад шість місяців), її слід зарядити.

ОПИС РОБОТИ

⚠ОБЕРЕЖНО: Обов'язково переконайтеся, що прилад вимкнено, а касету з акумулятором знято, перед регулюванням або перевіркою функціонування інструмента.

Встановлення та зняття касети з акумулятором

⚠ОБЕРЕЖНО: Завжди вимикайте інструмент перед встановленням або зняттям касети з акумулятором.

⚠ОБЕРЕЖНО: Під час встановлення або зняття касети з акумулятором слід міцно тримати інструмент та касету з акумулятором.

Якщо ви утримуватимете інструмент та касету з акумулятором недостатньо міцно, вони можуть вислизнути з рук, що може призвести до пошкодження інструмента та касети з акумулятором або може спричинити травми.

► **Рис.1:** 1. Червоний індикатор 2. Кнопка 3. Касета з акумулятором

Щоб зняти касету з акумулятором, слід витягнути її з інструмента, натиснувши на кнопку в передній частині касети.

Щоб установити касету з акумулятором, слід сумістити виступ на касеті з акумулятором із пазом у корпусі та вставити касету на місце. Її необхідно вставити повністю, аж доки не почуєте клацання. Якщо на верхній частині кнопки помітний червоний індикатор, це означає, що касета з акумулятором установлена не до кінця.

⚠ОБЕРЕЖНО: Завжди вставляйте касету з акумулятором повністю, аж поки червоний індикатор стане невидимим. Якщо цього не зробити, касета може випадково випасти з інструмента та завдати травми вам або людям, що знаходяться поряд.

⚠ОБЕРЕЖНО: Не встановлюйте касету з акумулятором із зусиллям. Якщо касета не вставляється легко, то це означає, що ви її неправильно вставляєте.

Відображення залишкового заряду акумулятора

Тільки для касет з акумулятором, які мають індикатори

► **Рис.2:** 1. Індикаторні лампи 2. Кнопка перевірки
Натисніть кнопку перевірки на касеті з акумулятором для відображення залишкового ресурсу акумулятора. Індикаторні лампи загоряться на кілька секунд.

Індикаторні лампи			Залишковий ресурс
Горить	Вимк.	Блимає	
			від 75 до 100%
			Зарядіть акумулятор.
			Можливо, акумулятор вийшов з ладу.

ПРИМІТКА: Залежно від умов використання та температури оточуючого середовища показання можуть незначним чином відрізнятися від дійсного ресурсу.

Система захисту інструмента/акумулятора

Інструмент оснащено системою захисту інструмента/акумулятора. Ця система автоматично вимикає живлення двигуна з метою збільшення терміну служби інструмента та акумулятора. Інструмент автоматично зупиняється під час роботи, якщо інструмент або акумулятор перебувають у зазначених нижче умовах.

Захист від перевантаження

Якщо акумулятор використовується в умовах надмірного споживання струму, він автоматично вимикається без будь-якого попередження. У такому разі вимкніть інструмент і припиніть роботу, під час виконання якої інструмент зазнав перевантаження. Щоб перезапустити інструмент, увімкніть його знову.

Захист від перегрівання

Якщо інструмент перегрівся, він автоматично вимикається, і лампа підсвічування починає блимати. У такому випадку дайте інструменту й акумулятору охолонути, перш ніж знову вмикати інструмент.

Захист від надмірного розрядження

Коли заряд акумулятора стає недостатнім для подальшої роботи, інструмент автоматично зупиняється. У такому випадку вийміть акумулятор з інструмента та зарядіть його.

Гач

⚠ОБЕРЕЖНО: Ніколи не підвішуйте інструмент високо та не залишайте його в потенційно нестійкому місці.

Гачок використовується для тимчасового підвищеннявання інструмента.

Для використання гачка просто підіймайте його, доки його не буде приведено у відкрите положення з клацанням. Коли гачок не використовується, слід завжди опускати його в закрите положення з клацанням.

Відкрите положення

► Рис.3: 1. Гач

Закрите положення

► Рис.4: 1. Гач

Дія вимикача

⚠ПОПЕРЕДЖЕННЯ: Перед тим як вставляти касету з акумулятором в інструмент, обов'язково перевірте, чи курок вмикача спрацьовує належним чином та повертається у положення «ВИМК.», коли його відпускають.

⚠ПОПЕРЕДЖЕННЯ: ЗАБОРОНЕНО змінювати стан кнопки блокування вимкненого положення шляхом її затискання за допомогою стрічки або будь-яким іншим чином. Використання вмикача з несправною кнопкою блокування вимкненого положення може призвести до ненавмисного увімкнення та серйозних травм.

⚠ПОПЕРЕДЖЕННЯ: ЗАБОРОНЕНО користуватися інструментом, якщо він вмикається простим натисканням курка вмикача без натискання кнопки блокування вимкненого положення. Використання вмикача, який потребує ремонту, може спричинити ненавмисне увімкнення та серйозні травми. ПЕРЕД подальшим використанням інструменту слід передати до сервісного центру Makita для ремонту.

Для запобігання випадковому натисканню курка вмикача передбачено кнопку блокування у вимкненому положенні. Щоб увімкнути інструмент, натисніть кнопку блокування вимкненого положення й натисніть на курок вмикача.

Для підвищення робочої швидкості інструмента натисніть курок вмикача сильніше. Відпустіть курок вмикача, щоб зупинити роботу.

► Рис.5: 1. Кнопка блокування у вимкненому положенні 2. Курок вмикача

Увімкнення переднього підсвічування

⚠ОБЕРЕЖНО: Не дивіться на світло або безпосередньо на джерело світла.

Щоб увімкнути лампу, потягніть курок вмикача. Лампа світитиметься, поки ви тягнете за курок вмикача. Підсвічування згасне приблизно через 10 секунд після того, як курок вмикача буде відпущено.

► Рис.6: 1. Лампа

ПРИМІТКА: Не надавайте лампу ударним навантаженням. Це може призвести до її пошкодження або скоротити термін служби.

ПРИМІТКА: Для очищення скла лампи підсвічування протріть її сухою тканиною. Будьте обережні, щоб не подряпати скло лампи підсвічування, тому що це погіршить освітлювання.

ПРИМІТКА: У разі перегрівання інструмента лампа блимає протягом однієї хвилини, після чого гасне. У цьому випадку слід дати інструментові охолонути, перш ніж продовжувати роботу.

ЗБОРКА

⚠ ОБЕРЕЖНО: Обов'язково переконайтеся, що прилад вимкнено, а касету з акумулятором знято, перш ніж проводити будь-які роботи з інструментом.

Установлення або зняття стрічкового пиляльного полотна

⚠ ОБЕРЕЖНО: Мастило на стрічковому пиляльному полотні може стати причиною його проковзування чи зіскакування із загоівки. Перш ніж установлювати пиляльне полотно, видаліть із нього надлишки мастила ганчіркою.

⚠ ОБЕРЕЖНО: Під час виконання будь-яких операцій зі стрічковим пиляльним полотном завжди надягайте захисні рукавиці.

⚠ ОБЕРЕЖНО: Під час роботи зі стрічковим пиляльним полотном будьте обережні, аби не порізатися об гострі зубці полотна.

⚠ ОБЕРЕЖНО: Під час перевірки руху пиляльного полотна тримайтеся на безпечній відстані від нього.

⚠ ОБЕРЕЖНО: Коли ви повертаєте важіль натягнення полотна за годинниковою стрілкою для зменшення натягнення пиляльного полотна, спрямовуйте інструмент донизу, оскільки полотно може зіскачити.

Щоб установити стрічкове пиляльне полотно:

1. Поверніть важіль натягнення полотна за годинниковою стрілкою до упору, щоб послабити шків.
► **Рис.7:** 1. Затягнути 2. Послабити 3. Важіль натягнення полотна
2. Відкрийте кожух шківів.
► **Рис.8:** 1. Кожух шківів 2. Гачок

УВАГА: Відкриваючи кожух шківів, натискайте й відпускайте обидва фіксатори одночасно. Недотримання цієї вимоги може призвести до появи тріщин на кожусі шківів.

3. Дотримуйтеся напрямку, указанного стрілками на пиляльному полотні й шківів.

4. Вставте гладкий край стрічкового пиляльного полотна у верхній і нижній тримачі. Переконайтеся в тому, що пиляльне полотно у верхньому й нижньому тримачах торкається нижніх опорних елементів.

► **Рис.9:** 1. Нижній тримач 2. Верхній тримач 3. Нижній опорний елемент

5. Натискаючи на пиляльне полотно посередині, надягніть його на один шків. Щоб полегшити цю процедуру, посуňte шків у напрямку А.

► **Рис.10:** 1. Шків 2. Гумова шина

6. Так само надягніть пиляльне полотно на інший шків.

7. Розташуйте край стрічкового пиляльного полотна на гумовій шині.

8. Утримуючи пиляльне полотно в цьому положенні, поверніть важіль натягнення полотна проти годинникової стрілки до упору. Це забезпечить належний натяг стрічкового пиляльного полотна.

9. Закрийте кожух шківів.

УВАГА: Переконайтеся в тому, що пиляльне полотно правильно розташоване на шківів.

УВАГА: Запустіть і зупиніть інструмент два чи три рази, аби перекопатися в тому, що пиляльне полотно правильно рухається по шківів.

Щоб зняти пиляльне полотно, виконайте процедуру його встановлення у зворотному порядку.

Регулювання положення полотна

Якщо стрічкове пиляльне полотно часто зіскакує зі шківів, відрегулюйте його положення.

Щоб відрегулювати положення полотна, вставте шестигранний ключ в отвір для регулювання, як показано на рисунку, і поверніть його на чверть оберту. Після цього перевірте, чи зіскакує пиляльне полотно.

Якщо полотно досі зіскакує, поверніть ключ ще на чверть оберту й знову перевірте полотно; повторіть цю операцію, доки пиляльне полотно не припинить зісковзувати.

► **Рис.11:** 1. Шестигранний ключ 2. Отвір для регулювання

Регулювання положення стопорної пластини

У звичайному режимі роботи стопорну пластину слід повністю висунути в напрямку А.

Якщо стопорна пластина наприкінці різання вдаряється о перешкоду, наприклад о стіну, послабте два болти й посуňte пластину в напрямку В, як показано на рисунку.

Після того як стопорну пластину буде пересунуто, зафіксуйте її, затягнувши обидва болти.

► **Рис.12:** 1. Стопорна пластина 2. Болти 3. Стрічкове пиляльне полотно

РОБОТА

⚠ОБЕРЕЖНО: Обов'язково вставляйте касету з акумулятором до кінця з фіксацією на місці. Якщо на верхній частині кнопки помітний червоний індикатор, це означає, що касета з акумулятором зафіксована не до кінця. Вставте касету повністю, щоб червоний індикатор зник. Якщо цього не зробити, касета може випадково випасти з інструмента та завдати травми вам або людям, що знаходяться поряд.

⚠ОБЕРЕЖНО: Завжди тримайтеся за рукоятку. Заборонено втримувати інструмент за корпус чи захисні елементи. Руки можуть зісковзнути й потрапити на пиляльне полотно. Це може призвести до травм.

⚠ОБЕРЕЖНО: Переконайтеся в тому, що кожух шківів надійно закрито.

⚠ОБЕРЕЖНО: Міцно тримайте інструмент під час увімкнення, вимкнення й різання. Недотримання цієї вимоги може призвести до падіння інструмента й травм.

⚠ОБЕРЕЖНО: Обов'язково вдягайте рукавички для захисту рук від гарячих ошукор, що розлітаються під час різання металу.

⚠ОБЕРЕЖНО: Тримайте тіло й обличчя на безпечній відстані від стрічкового пиляльного полотна та стружки.

Для більшої стабільності під час різання в розпилі має перебувати щонайменше два зубці.

► Рис.13

Пиляльне полотно має перебувати в належному положенні для різання відносно заготовки, як показано на рисунку.

► Рис.14

1. Тримайте інструмент, як показано на рисунку.

Перш ніж увімкнути інструмент, слід переконаватися в тому, що стопорна пластина торкається заготовки, а пиляльне полотно не торкається заготовки.

► Рис.15

2. Увімкніть інструмент і зачекайте, доки стрічкове пиляльне полотно не набере повну швидкість. Обережно опустіть полотно в місце різання. Ваги інструмента або слабкого натискання на нього буде досить для забезпечення тиску, необхідного для різання. Не прикладайте силу до інструмента.

► Рис.16

3. Досягнувши кінця розрізу, припиніть натискати на інструмент і трохи підніміть його, аби він не торкався заготовки.

УВАГА: Надмірний тиск на інструмент або викривлення пиляльного полотна можуть призвести до різання під кутом або пошкодження полотна.

УВАГА: Якщо інструмент не використовується протягом тривалого часу, зніміть із нього стрічкове пиляльне полотно.

УВАГА: У разі неперервної роботи інструмента до розрядження касети з акумулятором необхідно зробити перерву на 15 хвилин, перш ніж продовжити роботу з новим акумулятором.

Мастильний матеріал для різання

Додаткове приладдя

⚠ОБЕРЕЖНО: Заборонено використовувати мастило для різання або наносити на пиляльне полотно надмірну кількість воску. Це може призвести до проковзування пиляльного полотна або його зіскакування.

⚠ОБЕРЕЖНО: Під час різання чавуну використовувати віск для різання заборонено.

Під час різання металів використовуйте віск Makita для різання як змащувальний матеріал для різання. Для нанесення воску для різання на зубці стрічкового пиляльного полотна зніміть кришку з упаковки воску й ріжте віск, як показано на рисунку.

► Рис.17: 1. Віск для різання

ТЕХНІЧНЕ ОБСЛУГОВУВАННЯ

⚠ОБЕРЕЖНО: Перед здійсненням перевірки або обслуговування завжди перевіряйте, щоб інструмент був вимкнений, а касета з акумулятором була знята.

УВАГА: Ніколи не використовуйте газолін, бензин, розріджувач, спирт та подібні речовини. Їх використання може призвести до зміни кольору, деформації або появи тріщин.

Для забезпечення БЕЗПЕКИ та НАДІЙНОСТІ продукції, її ремонт, а також роботи з обслуговування або регулювання повинні виконуватись уповноваженими або заводськими сервісними центрами Makita із використанням запчастин виробництва компанії Makita.

Чищення

⚠ОБЕРЕЖНО: Віск і ошукорки на гумових шинах можуть спричинити проковзування й зіскакування стрічкового пиляльного полотна. Для видалення воску й ошукор із гумових шин використовуйте суху ганчірку.

Після роботи очистьте інструмент, гумові шини шківів і стрічкове пиляльне полотно від воску, ошукор та пилу.

Заміна гумових шин на шківях

Гумові шини слід замінити, якщо їх надмірне зношення призводить до зісковзування чи зсуву стрічкового пиляльного полотна.

Для заміни гумових шин зверніться до авторизованого чи фірмового сервісного центру Makita.

ДОДАТКОВЕ ПРИЛАДДЯ

⚠ ОБЕРЕЖНО: Це додаткове та допоміжне обладнання рекомендовано використовувати з інструментом Makita, зазначеним у цій інструкції з експлуатації. Використання будь-якого іншого додаткового та допоміжного обладнання може становити небезпеку травмування. Використовуйте додаткове та допоміжне обладнання лише за призначенням.

У разі необхідності отримати допомогу в більш детальному ознайомленні з оснащенням звертайтеся до місцевого сервісного центру Makita.

- Оригінальний акумулятор та зарядний пристрій Makita
- Стрічкові пиляльні полотна
- Віск для різання

ПРИМІТКА: Деякі елементи списку можуть входити до комплекту інструмента як стандартне приладдя. Вони можуть відрізнятися залежно від країни.

SPECIFICAȚII

Model:		DPB184
Capacitate maximă de tăiere	Piesă de prelucrat rotundă	dia. 51 mm
	Piesă de prelucrat dreptunghiulară	51 mm x 51 mm
Viteză pânză		0 - 3,2 m/s (0 - 190 m/min)
Dimensiune pânză	Lungime	730 mm
	Lățime	13 mm
	Grosime	0,5 mm
Dimensiuni (L x l x İ) fără capacul discului		373 mm x 162 mm x 223 mm
Tensiune nominală		18 V cc.
Greutate netă fără capacul discului		3,3 - 3,6 kg

- Datorită programului nostru continuu de cercetare și dezvoltare, specificațiile pot fi modificate fără o notificare prealabilă.
- Specificațiile pot varia în funcție de țară.
- Greutatea poate diferi în funcție de accesoriu(ii), inclusiv cartușul acumulatorului. În tabel se prezintă combinația cea mai ușoară și cea mai grea, conform Procedurii EPTA 01/2014.

Cartușul acumulatorului și încărcătorul aplicabile

Cartușul acumulatorului	BL1815N / BL1820 / BL1820B / BL1830 / BL1830B / BL1840 / BL1840B / BL1850 / BL1850B / BL1860B
Încărcător	DC18RC / DC18RD / DC18RE / DC18SD / DC18SE / DC18SF / DC18SH

- Este posibil ca unele cartușe ale acumulatorilor și încărcătoare menționate mai sus să nu fie disponibile în funcție de regiunea dvs. de reședință.

⚠️ AVERTIZARE: Utilizați numai cartușele de acumulator și încărcătoarele enumerate mai sus. Utilizarea oricărui altor cartușe de acumulator și încărcătoare poate duce la rănire și/sau incendiu.

Destinația de utilizare

Mașina este destinată debitării plasticului și materialelor feroase.

Zgomot

Nivelul de zgomot normal ponderat A determinat în conformitate cu EN60745-2-20:

Nivel de presiune acustică (L_{pA}): 80 dB(A)

Marjă de eroare (K): 3 dB(A)

Nivelul de zgomot în timpul funcționării poate depăși 80 dB(A).

NOTĂ: Valoarea (valorile) totală(e) a (ale) emisiilor de zgomot declarate a(u) fost măsurată(e) în conformitate cu o metodă de test standard și poate (pot) fi utilizată(e) pentru compararea unei unelte cu alta.

NOTĂ: Valoarea (valorile) totală(e) a (ale) emisiilor de zgomot declarate poate (pot) fi, de asemenea, utilizată(e) într-o evaluare preliminară a expunerii.

⚠️ AVERTIZARE: Purtați echipament de protecție pentru urechi.

⚠️ AVERTIZARE: Emisiile de zgomot în timpul utilizării efective a unei unelte electrice poate diferi de valoarea (valorile) nivelului declarat, în funcție de modul în care uneltea este utilizată, în special ce fel de piesă este prelucrată.

⚠️ AVERTIZARE: Asigurați-vă că identificați măsurile de siguranță pentru a proteja operatorul, acestea fiind bazate pe o estimare a expunerii în condiții reale de utilizare (luând în considerare toate părțile ciclului de operare, precum timpii în care uneltea a fost oprită, sau a funcționat în gol, pe lângă timpul de declanșare).

Vibrații

Valoarea totală a vibrațiilor (suma vectorilor tri-axiali) determinată conform EN60745-2-20:

Mod de lucru: tăiere metal

Emisie de vibrații ($a_{h,M}$): 2,5 m/s² sau mai puțin

Marjă de eroare (K): 1,5 m/s²

NOTĂ: Valoarea (valorile) totală(e) a (ale) nivelului de vibrații declarat a (au) fost măsurată(e) în conformitate cu o metodă de test standard și poate (pot) fi utilizată(e) pentru compararea unei unelte cu alta.

NOTĂ: Valoarea (valorile) totală(e) a (ale) nivelului de vibrații declarat poate (pot) fi, de asemenea, utilizată(e) într-o evaluare preliminară a expunerii.

⚠️ AVERTIZARE: Nivelul de vibrații în timpul utilizării efective a unelei electrice poate diferi de valoarea (valorile) nivelului declarat, în funcție de modul în care unealta este utilizată, în special ce fel de piesă este prelucrată.

⚠️ AVERTIZARE: Asigurați-vă că identificați măsurile de siguranță pentru a proteja operatorul, acestea fiind bazate pe o estimare a expunerii în condiții reale de utilizare (luând în considerare toate părțile ciclului de operare, precum timpii în care unealta a fost oprită, sau a funcționat în gol, pe lângă timpul de declanșare).

Declarație de conformitate CE

Numai pentru țările europene

Declarația de conformitate CE este inclusă ca Anexa A în acest manual de instrucțiuni.

AVERTIZĂRI DE SIGURANȚĂ

Avertismente generale de siguranță pentru mașinile electrice

⚠️ AVERTIZARE: Citiți toate avertismentele privind siguranța, instrucțiunile, ilustrațiile și specificațiile furnizate cu această sculă electrică. Nerespectarea integrală a instrucțiunilor de mai jos poate cauza electrocutări, incendii și/sau vătămări corporale grave.

Păstrați toate avertismentele și instrucțiunile pentru consultări ulterioare.

Termenul „mașină electrică” din avertizări se referă la mașinile dumneavoastră electrice acționate de la rețea (prin cablu) sau cu acumulator (fără cablu).

Avertizări privind siguranța pentru ferăstrăul portabil cu bandă cu acumulatori

1. **Țineți mașina electrică de suprafețele de prindere izolate atunci când efectuați o operațiune în care accesoriul de tăiere poate intra în contact cu fire ascunse.** Accesoriile de tăiere care intră în contact cu un fir „aflat sub tensiune” pot „pune sub tensiune” componentele metalice neizolate ale mașinii electrice și pot supune operatorul la șoc electric.

2. **Utilizați numai pânzele prezentate în „SPECIFICAȚII”.**
3. **Înainte de folosire, verificați atent dacă pânza prezintă fisuri sau deteriorări. Înlocuiți imediat o pânză fisurată sau deteriorată.**
4. **Fixați ferm piesa de prelucrat. La debitarea unor piese de prelucrat grupate, asigurați-vă că toate piesele de prelucrat sunt fixate ferm împreună înainte de debitare.**
5. **Debitarea pieselor de prelucrat acoperite cu ulei poate duce la desprinderea neașteptată a pânzei. Înainte de debitare, ștergeți tot uleiul în exces de pe piesele de prelucrat.**
6. **Nu utilizați niciodată uleiul de debitat ca lubrifiant pentru debitare. Utilizați numai ceara de debitare Makita.**
7. **Țineți bine mașina.**
8. **Nu atingeți piesele în mișcare.**
9. **La debitarea metalului, fiți atenți la așchiile fierbinți împrăștiate.**
10. **Nu lăsați mașina în funcțiune nesupravegheată.**
11. **Nu atingeți pânza sau piesa de prelucrat imediat după executarea lucrării; acestea pot fi extrem de fierbinți și pot provoca arsuri ale pielii.**

Instrucțiuni importante privind siguranța pentru cartușul acumulatorului

1. **Înainte de a folosi cartușul acumulatorului, citiți toate instrucțiunile și atenționările de pe (1) încărcătorul acumulatorului, (2) acumulator și (3) produsul care folosește acumulatorul.**
2. **Nu dezmembrați cartușul acumulatorului.**
3. **Dacă timpul de funcționare s-a redus excesiv, întrerupeți imediat funcționarea. Aceasta poate prezenta risc de supraîncălzire, posibile arsuri și chiar explozie.**
4. **Dacă electrolitul pătrunde în ochi, clătiți bine ochii cu apă curată și consultați imediat un medic. Există risc de orbire.**
5. **Nu scurtcircuitați cartușul acumulatorului:**
 - (1) **Nu atingeți bornele cu niciun material conductor.**
 - (2) **Evitați depozitarea cartușului acumulatorului la un loc cu alte obiecte metalice cum ar fi cuie, monede etc.**
 - (3) **Nu expuneți cartușul acumulatorului la apă sau ploaie.****Un scurtcircuit al acumulatorului poate provoca un flux puternic de curent electric, supraîncălzire, posibile arsuri și chiar defectarea mașinii.**
6. **Nu depozitați mașina și cartușul acumulatorului în spații în care temperatura poate atinge sau depăși 50 °C (122 °F).**
7. **Nu incinerati cartușul acumulatorului chiar dacă acesta este grav deteriorat sau complet uzat. Cartușul acumulatorului poate exploda în foc.**
8. **Aveți grijă să nu scăpați sau să loviți acumulatorul.**

9. **Nu utilizați un acumulator deteriorat.**
 10. **Acumulatorii Li-Ion încorporați se supun cerințelor Legislației privind substanțele periculoase.**

Pentru transporturi comerciale, efectuate de exemplu de către părți terțe, expeditori, trebuie respectate cerințele speciale de ambalare și etichetare.

Pentru pregătirea articolului care urmează să fie expediat, este necesară consultarea unui expert în materiale periculoase. Vă rugăm să respectați, de asemenea, reglementările naționale, care pot fi mai detaliate.

Izolați sau acoperiți contactele deschise și împachetați acumulatorul în așa fel încât să nu se poată mișca în ambalaj.

11. **Atunci când eliminați la deșeurii cartușul acumulatorului, scoateți-l din mașină și eliminați-l într-un loc sigur. Respectați normele naționale privind eliminarea la deșeurii a acumulatorului.**
 12. **Utilizați acumulatorii numai cu produsele specificate de Makita.** Instalarea acumulatorilor în produse neconforme poate cauza incendii, căldură excesivă, explozii sau scurgeri de electrolit.
 13. **Dacă mașina nu este utilizată o perioadă lungă de timp, acumulatorul trebuie scos din acesta.**

PĂSTRAȚI ACESTE INSTRUCȚIUNI.

ATENȚIE: Folosiți numai acumulatori Makita originali. Acumulatorii Makita care nu sunt originali și acumulatorii care au suferit modificări se pot aprinde, provocând incendii, leziuni corporale și daune. De asemenea, anulează garanția oferită de Makita pentru unealta și încărcătorul Makita.

Sfaturi pentru obținerea unei durate maxime de exploatare a acumulatorului

1. **Încărcați cartușul acumulatorului înainte de a se descărca complet.** Întrerupeți întotdeauna funcționarea mașinii și încărcați cartușul acumulatorului când observați o scădere a puterii mașinii.
2. **Nu reîncărcați niciodată un acumulator complet încărcat.** Suprîncărcarea va scurta durata de exploatare a acumulatorului.
3. **Încărcați cartușul acumulatorului la temperatura camerei, între 10 °C - 40 °C (50 °F - 104 °F).** Lăsați un acumulator fierbinte să se răcească înainte de a-l încărca.
4. **Încărcați cartușul acumulatorului în cazul în care nu a fost utilizat pe o perioadă mai lungă (mai mult de șase luni).**

DESCRIEREA FUNCȚIILOR

ATENȚIE: Asigurați-vă întotdeauna că mașina este oprită și cartușul acumulatorului este scos înainte de a ajusta sau verifica funcționarea mașinii.

Instalarea sau scoaterea cartușului acumulatorului

ATENȚIE: Opriti întotdeauna mașina înainte de montarea sau demontarea cartușului de acumulator.

ATENȚIE: Țineți ferm mașina și cartușul acumulatorului la montarea sau demontarea cartușului. În cazul în care nu țineți ferm mașina și cartușul de acumulator, acestea vă pot aluneca din mâini, rezultând defectarea mașinii și cartușului de acumulator, precum și în accidentări personale.

► Fig.1: 1. Indicator roșu 2. Buton 3. Cartușul acumulatorului

Pentru a scoate cartușul acumulatorului, glisați-l din mașină în timp ce glisați butonul de pe partea frontală a cartușului.

Pentru a instala cartușul acumulatorului, aliniați limba de pe cartușul acumulatorului cu canelura din carcasă și introduceți-l în locaș. Introduceți-l complet, până când se înclichează în locaș. Dacă puteți vedea indicatorul roșu din partea superioară a butonului, acesta nu este blocat complet.

ATENȚIE: Instalați întotdeauna cartușul acumulatorului complet, până când indicatorul roșu nu mai este vizibil. În caz contrar, acesta poate cădea accidental din mașină provocând rănirea dumneavoastră sau a persoanelor din jur.

ATENȚIE: Nu forțați cartușul acumulatorului la montare. Dacă acesta nu glisează ușor, înseamnă că a fost introdus incorect.




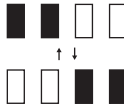
Indicarea capacității rămase a acumulatorului

Numai pentru cartușe de acumulator cu indicator

► Fig.2: 1. Lămpi indicatoare 2. Buton de verificare

Apăsăți butonul de verificare de pe cartușul acumulatorului, astfel încât să se indice capacitățile rămase ale acumulatorului. Lămpile indicatorului vor lumina timp de câteva secunde.

Lămpi indicatoare			Capacitate rămasă
Iluminat	Oprit	Iluminare intermitentă	
■	□	▧	Între 75% și 100%
■ ■ ■ ■			Între 50% și 75%
■ ■ □ □			Între 25% și 50%
■ □ □ □			Între 0% și 25%
▧ □ □ □			Încărcați acumulatorul.

Lămpi indicatoare			Capacitate rămasă
 Iluminat	 Oprit	 Iluminare intermitentă	
			Este posibil ca acumulatorul să fie defect.

NOTĂ: În funcție de condițiile de utilizare și temperatura ambientală, indicația poate fi ușor diferită de capacitatea reală.

Sistem de protecție mașină/acumulator

Mașina este prevăzută cu un sistem de protecție mașină/acumulator. Acest sistem întrerupe automat alimentarea motorului pentru a extinde durata de funcționare a mașinii și acumulatorului. Mașina se va opri automat în timpul funcționării dacă mașina sau acumulatorul se află într-una din situațiile următoare:

Protecție la suprasarcină

Când acumulatorul este utilizat într-un mod care duce la un consum exagerat de curent, mașina se va opri automat, fără nicio indicație. În această situație, opriți mașina și aplicația care a dus la suprasolicitarea mașinii. Apoi, reporniți mașina.

Protecție la supraîncălzire

În momentul în care mașina se supraîncălzește, aceasta se oprește automat și lampa începe să lumineze intermitent. În această situație, lăsați mașina și acumulatorul să se răcească înainte de a reporni mașina.

Protecție la supradescărcare

Când capacitatea acumulatorului scade, unealta se oprește automat. În acest caz, scoateți acumulatorul din mașină și încărcați-l.

Cârlig

ATENȚIE: Nu agățați niciodată mașina în locații înalte sau potențial instabile.

Cârligul este util pentru suspendarea temporară a mașinii.

Pentru a folosi cârligul, ridicați pur și simplu cârligul până când se blochează în poziție deschisă.

Când nu îl folosiți, coborâți întotdeauna cârligul până când se blochează în poziție închisă.

Poziție deschisă

► Fig.3: 1. Cârlig

Poziție închisă

► Fig.4: 1. Cârlig

Aționarea întrerupătorului

AVERTIZARE: Înainte de a introduce cartușul acumulatorului în mașină, verificați întotdeauna dacă butonul declanșator funcționează corect și revine în poziția „OFF” (oprit) când este eliberat.

AVERTIZARE: Nu dezactivați NICIODATĂ butonul de deblocare prin fixare cu bandă sau prin alte mijloace. Un comutator de deblocare anulat poate duce la operarea accidentală, cauzând potențiale leziuni grave.

AVERTIZARE: Nu utilizați NICIODATĂ mașina dacă aceasta pornește la simpla apăsare a butonului declanșator, fără a apăsa butonul de deblocare. Un comutator defect poate duce la operarea accidentală, cauzând leziuni grave. Returnați mașina la un centru de service Makita pentru efectuarea reparațiilor corespunzătoare ÎNAINTE de a continua utilizarea acesteia.

Pentru a preveni acționarea accidentală a butonului declanșator, este prevăzută un buton de deblocare. Pentru a porni mașina, apăsați butonul de deblocare și acționați butonul declanșator.

Viteza mașinii poate fi crescută prin creșterea forței de apăsare pe butonul declanșator. Eliberați butonul declanșator pentru a opri mașina.

► Fig.5: 1. Buton de deblocare 2. Buton declanșator

Aprinderea lămpii frontale

ATENȚIE: Nu priviți direct în raza sau în sursa de lumină.

Trageți butonul declanșator pentru a aprinde lampa. Lampa continuă să lumineze atât timp cât butonul declanșator este tras. Lampa se stinge la aproximativ 10 secunde de la eliberarea butonului declanșator.

► Fig.6: 1. Lampă

NOTĂ: Nu aplicați șocuri lămpii, în caz contrar aceasta se poate deteriora sau își poate reduce durata de exploatare.

NOTĂ: Folosiți o lavetă uscată pentru a șterge murdăria de pe lentila lămpii. Aveți grijă să nu zgâriați lentila lămpii deoarece, în caz contrar, iluminarea va fi redusă.

NOTĂ: Când mașina este supraîncălzită, lampa luminează intermitent timp de un minut, iar apoi se stinge. În acest caz, lăsați mașina să se răcească înainte de a o utiliza din nou.

ASAMBLARE

ATENȚIE: Asigurați-vă întotdeauna că mașina este oprită și cartușul acumulatorului este scos înainte de a executa orice lucrări la mașină.

Montarea sau demontarea pânzei de ferăstrău cu bandă

⚠️ ATENȚIE: Uleiul de pe pânza ferăstrăului cu bandă poate determina alunecarea sau desprinderea neașteptată a pânzei. Ștergeți tot uleiul în exces cu o lavetă înainte de a monta pânza ferăstrăului cu bandă.

⚠️ ATENȚIE: Purtați întotdeauna mănuși de protecție când manevrați pânza de ferăstrău cu bandă.

⚠️ ATENȚIE: Procedați cu atenție când manevrați pânza ferăstrăului cu bandă pentru a evita să vă tăiați în marginea ascuțită a dinților pânzei.

⚠️ ATENȚIE: Feriți-vă de pânza ferăstrăului cu bandă când verificați mișcarea acesteia.

⚠️ ATENȚIE: Când rotiți pârghia de strângere a pânzei spre dreapta pentru a elibera tensiunea pânzei ferăstrăului cu bandă, îndreptați mașina în jos, deoarece pânza acesteia se poate desprinde în mod neașteptat.

Pentru a monta pânza ferăstrăului cu bandă:

1. Pentru a deșuruba discul, rotiți pârghia de strângere a pânzei spre dreapta până la capăt.

► Fig.7: 1. Strângere 2. Slăbire 3. Pârghie de strângere a pânzei

2. Deschideți capacul discului.

► Fig.8: 1. Capacul discului 2. Cârlig

NOTĂ: Când deschideți capacul discului, deschideți și eliberați simultan ambele cârlige. Dacă deschideți numai un singur cârlig, puteți fisura capacul discului.

3. Urmați direcția indicată de săgețile de pe pânza ferăstrăului cu bandă și de pe discuri.

4. Introduceți partea fără dinți a pânzei ferăstrăului cu bandă în suportul superior și inferior. Asigurați-vă că pânza ferăstrăului cu bandă fixată în suportul superior și în cel inferior atinge lagărele inferioare.

► Fig.9: 1. Suport inferior 2. Suport superior 3. Lagăr inferior

5. În timp ce apăsați pe partea centrală a pânzei ferăstrăului cu bandă, poziționați pânza în jurul unui disc. Deplasarea discului spre partea marcată cu A facilitează această operațiune.

► Fig.10: 1. Disc 2. Garnitură de cauciuc

6. În mod similar, amplasați pânza ferăstrăului cu bandă pe celălalt disc.

7. Poziționați marginea pânzei ferăstrăului cu bandă pe garnitura de cauciuc.

8. Țineți pânza ferăstrăului cu bandă fixată pe poziție și rotiți pârghia de strângere a pânzei spre stânga până la capăt. Astfel, veți genera o tensiune adecvată pe pânza ferăstrăului cu bandă.

9. Închideți capacul discului.

NOTĂ: Asigurați-vă că pânza ferăstrăului cu bandă este poziționată corect în jurul discurilor.

NOTĂ: Porniți și opriți mașina de două sau de trei ori pentru a vă asigura că pânza ferăstrăului cu bandă funcționează corespunzător pe discuri.

Pentru a demonta pânza ferăstrăului cu bandă, executați în ordine inversă operațiile de montare.

Reglarea cursei pânzei

Când pânza ferăstrăului cu bandă tinde să iasă din disc, reglați cursa pânzei.

În vederea reglării, introduceți cheia imbus în orificiul de reglare, ca în imagine, și efectuați un sfert de rotație spre dreapta. După aceea, verificați dacă pânza ferăstrăului cu bandă nu iese în afară.

Dacă aceasta iese în afară în continuare, efectuați încă un sfert de rotație și verificați până când pânza ferăstrăului cu bandă nu mai iese în afară.

► Fig.11: 1. Cheie imbus 2. Orificiu de reglare

Reglarea poziției plăcii opritoare

În cazul funcționării normale, scoateți complet în afară placa opritoare către partea A.

Când placa opritoare se lovește de obstacole, precum un perete sau un lucru similar la finalul procesului de debitare, slăbiți cele două șuruburi și glisați-o către partea B, ca în imagine.

După ce glisați placa opritoare, fixați-o strângând ferm două șuruburi.

► Fig.12: 1. Placă opritoare 2. Șuruburi 3. Pânză de ferăstrău cu bandă

OPERAREA

⚠️ ATENȚIE: Introduceți întotdeauna complet cartușul acumulatorului până când se blochează în locaș. Dacă puteți vedea indicatorul roșu din partea superioară a butonului, acesta nu este blocat complet. Introduceți-l complet, până când indicatorul roșu nu mai este vizibil. În caz contrar, acesta poate cădea accidental din mașină provocând rănirea dumneavoastră sau a persoanelor din jur.

⚠️ ATENȚIE: Țineți întotdeauna de mâner. Nu țineți niciodată mașina de corp sau de protecție. Din aceste poziții vă pot aluneca mâinile și puteți intra în contact cu pânza ferăstrăului cu bandă. Aceste poziții pot duce la vătămări corporale.

⚠️ ATENȚIE: Verificați închiderea fermă a capacului discului.

⚠️ ATENȚIE: Asigurați-vă că țineți mașina ferm când o porniți sau o opriți în timpul debitării. În caz contrar, mașina poate cădea cauzând vătămări corporale.

⚠️ ATENȚIE: Purtați întotdeauna mănuși pentru a vă proteja mâinile de așchiile fierbinți împrăștiate când tăiați metale.

⚠️ ATENȚIE: Țineți corpul și fața departe de pânza ferăstrăului cu bandă și de așchiile care sar.

Pentru debitări stabile, mențineți întotdeauna cel puțin doi dinți în proces.

► Fig.13

Puneți pânza ferăstrăului cu bandă în poziție adecvată pentru debitare pe piesa de prelucrat, ca în imagine.

► Fig.14

1. Țineți mașina astfel cum se arată în imagine.

Înainte de a porni mașina, asigurați-vă întotdeauna că placa opritoare intră în contact cu piesa de prelucrat și că pânda ferăstrăului cu bandă nu atinge piesa de prelucrat.

► Fig.15

2. Porniți mașina și așteptați ca pânda ferăstrăului cu bandă să atingă viteza maximă. Coborâți ușor pânda în poziția de debitare. Folosindu-vă de greutatea mașinii sau apăsând ușor mașina veți garanta suficientă presiune pentru debitare. Nu forțați mașina.

► Fig.16

3. Pe măsură ce ajungeți la finalul debitării, eliberați presiunea și ridicați ușor mașina, astfel încât să nu cadă pe piesa de prelucrat.

NOTĂ: Dacă aplicați prea multă presiune asupra mașinii sau răsuciți pânda ferăstrăului cu bandă puteți cauza tăierea înclinată sau deteriorarea pânzei.

NOTĂ: Când nu utilizați mașina pentru o perioadă lungă de timp, scoateți pânda ferăstrăului cu bandă din mașină.

NOTĂ: Dacă mașina este folosită continuu până la descărcarea cartușului acumulatorului, lăsați mașina în repaus timp de 15 minute înainte de a continua cu un acumulator nou.

Lubrifiant de debitare

Accesorii opționale

ATENȚIE: Nu utilizați niciodată ulei de debitare și nici nu aplicați o cantitate excesivă de ceară pe pânda ferăstrăului cu bandă. În caz contrar, pânda poate aluneca sau se poate desprinde în mod neașteptat.

ATENȚIE: La debitarea fontei, nu utilizați niciun fel de ceară de tăiere.

La debitarea metalului, utilizați ceara de debitare Makita ca lubrifiant de debitare. Pentru a aplica ceara de debitare pe dinții pânzei ferăstrăului cu bandă, scoateți o secțiune a cerii de debitat, porniți mașina și tăiați ceara de debitat ca în imagine.

► Fig.17: 1. Ceară de debitat

ÎNȚREȚINERE

ATENȚIE: Asigurați-vă întotdeauna că mașina este oprită și cartușul acumulatorului scos înainte de a executa lucrările de inspecție și întreținere.

NOTĂ: Nu utilizați niciodată gazolină, benzină, diluant, alcool sau alte substanțe asemănătoare. În caz contrar, pot rezulta decolorări, deformări sau fisuri.

Pentru a menține SIGURANȚA și FIABILITATEA produsului, reparațiile și orice alte lucrări de întreținere sau reglare trebuie executate de centre de service Makita autorizate sau proprii, folosind întotdeauna piese de schimb Makita.

Curățarea

ATENȚIE: Ceara și așchiile de pe garniturile de cauciuc ale discului pot duce la alunecarea și desprinderea neașteptată a pânzei ferăstrăului cu bandă. Folosiți o lavetă uscată pentru a îndepărta ceara și așchiile de pe garniturile de cauciuc.

După utilizare, îndepărtați ceara, așchiile și praful de pe mașină, garniturile de cauciuc ale discului și pânda ferăstrăului cu bandă.

Înlocuirea garniturilor de cauciuc de pe discuri

Înlocuiți garniturile de cauciuc atunci când pânda ferăstrăului cu bandă alunecă sau nu face o cursă adecvată, din cauza garniturilor extrem de uzate.

Pentru a înlocui garnitura de cauciuc, solicitați serviciile Centrelor de service autorizate sau proprii Makita.

ACCESORII OPȚIONALE

ATENȚIE: Folosiți accesoriile sau piesele auxiliare recomandate pentru mașina dumneavoastră Makita în acest manual. Utilizarea oricăror alte accesorii sau piese auxiliare poate prezenta risc de vătămare corporală. Utilizați accesoriile și piesele auxiliare numai în scopul destinat.

Dacă aveți nevoie de asistență sau de mai multe detalii referitoare la aceste accesorii, adresați-vă centrului local de service Makita.

- Acumulator și încărcător original Makita
- Pânze de ferăstrău cu bandă
- Ceară de debitat

NOTĂ: Unele articole din listă pot fi incluse ca accesorii standard în ambalajul de scule. Acestea pot diferi în funcție de țară.

TECHNISCHE DATEN

Modell:		DPB184
Max. Schnittleistung	Rundes Werkstück	51 mm Durchmesser
	Rechteckiges Werkstück	51 mm × 51 mm
Sägeblattgeschwindigkeit		0 - 3,2 m/s (0 - 190 m/min)
Sägeblattgröße	Länge	730 mm
	Breite	13 mm
	Dicke	0,5 mm
Abmessungen (L x B x H) ohne Radabdeckung		373 mm × 162 mm × 223 mm
Nennspannung		18 V Gleichstrom
Nettogewicht ohne Radabdeckung		3,3 - 3,6 kg

- Wir behalten uns vor, Änderungen der technischen Daten im Zuge der Entwicklung und des technischen Fortschritts ohne vorherige Ankündigung vorzunehmen.
- Die technischen Daten können von Land zu Land unterschiedlich sein.
- Das Gewicht kann abhängig von dem Aufsatz (den Aufsätzen), einschließlich des Akkus, unterschiedlich sein. Die leichteste und die schwerste Kombination, gemäß dem EPTA-Verfahren 01/2014, sind in der Tabelle angegeben.

Zutreffende Akkus und Ladegeräte

Akku	BL1815N / BL1820 / BL1820B / BL1830 / BL1830B / BL1840 / BL1840B / BL1850 / BL1850B / BL1860B
Ladegerät	DC18RC / DC18RD / DC18RE / DC18SD / DC18SE / DC18SF / DC18SH

- Einige der oben aufgelisteten Akkus und Ladegeräte sind je nach Ihrem Wohngebiet eventuell nicht erhältlich.

⚠️ WARNUNG: Verwenden Sie nur die oben aufgeführten Akkus und Ladegeräte. Bei Verwendung irgendwelcher anderer Akkus und Ladegeräte besteht Verletzungs- und/oder Brandgefahr.

Vorgesehene Verwendung

Dieses Werkzeug ist für das Sägen von Kunststoff und Eisenmaterial vorgesehen.

Geräusch

Typischer A-bewerteter Geräuschpegel ermittelt gemäß EN60745-2-20:

Schalldruckpegel (L_{pA}): 80 dB (A)

Messunsicherheit (K): 3 dB (A)

Der Geräuschpegel kann während des Betriebs 80 dB (A) überschreiten.

HINWEIS: Der (Die) angegebene(n) Schallemissionswert(e) wurde(n) im Einklang mit der Standardprüfmethode gemessen und kann (können) für den Vergleich zwischen Werkzeugen herangezogen werden.

HINWEIS: Der (Die) angegebene(n) Schallemissionswert(e) kann (können) auch für eine Vorbewertung des Gefährdungsgrads verwendet werden.

⚠️ WARNUNG: Einen Gehörschutz tragen.

⚠️ WARNUNG: Die Schallemission während der tatsächlichen Benutzung des Elektrowerkzeugs kann je nach der Benutzungsweise des Werkzeugs, und speziell je nach der Art des bearbeiteten Werkstücks, von dem (den) angegebenen Wert(en) abweichen.

⚠️ WARNUNG: Identifizieren Sie Sicherheitsmaßnahmen zum Schutz des Benutzers anhand einer Schätzung des Gefährdungsgrads unter den tatsächlichen Benutzungsbedingungen (unter Berücksichtigung aller Phasen des Arbeitszyklus, wie z. B. Ausschalt- und Leerlaufzeiten des Werkzeugs zusätzlich zur Betriebszeit).

Schwingungen

Schwingungsgesamtwert (Drei-Achsen-Vektorsumme) ermittelt gemäß EN60745-2-20:

Arbeitsmodus: Schneiden von Metall

Schwingungsemission ($a_{h, M}$): 2,5 m/s² oder weniger

Messunsicherheit (K): 1,5 m/s²

HINWEIS: Der (Die) angegebene(n) Vibrationsgesamtwert(e) wurde(n) im Einklang mit der Standardprüfmethode gemessen und kann (können) für den Vergleich zwischen Werkzeugen herangezogen werden.

HINWEIS: Der (Die) angegebene(n) Vibrationsgesamtwert(e) kann (können) auch für eine Vorbewertung des Gefährdungsgrads verwendet werden.

⚠️ WARNUNG: Die Vibrationsemission während der tatsächlichen Benutzung des Elektrowerkzeugs kann je nach der Benutzungsweise des Werkzeugs, und speziell je nach der Art des bearbeiteten Werkstücks, von dem (den) angegebenen Emissionswert(en) abweichen.

⚠️ WARNUNG: Identifizieren Sie Sicherheitsmaßnahmen zum Schutz des Benutzers anhand einer Schätzung des Gefährdungsgrads unter den tatsächlichen Benutzungsbedingungen (unter Berücksichtigung aller Phasen des Arbeitszyklus, wie z. B. Ausschalt- und Leerlaufzeiten des Werkzeugs zusätzlich zur Betriebszeit).

EG-Konformitätserklärung

Nur für europäische Länder

Die EG-Konformitätserklärung ist als Anhang A in dieser Bedienungsanleitung enthalten.

SICHERHEITSWARNUNGEN

Allgemeine Sicherheitswarnungen für Elektrowerkzeuge

⚠️ WARNUNG: Lesen Sie alle mit diesem Elektrowerkzeug gelieferten Sicherheitswarnungen, Anweisungen, Abbildungen und technischen Daten durch. Eine Missachtung der unten aufgeführten Anweisungen kann zu einem elektrischen Schlag, Brand und/oder schweren Verletzungen führen.

Bewahren Sie alle Warnungen und Anweisungen für spätere Bezugnahme auf.

Der Ausdruck „Elektrowerkzeug“ in den Warnhinweisen bezieht sich auf Ihr mit Netzstrom (mit Kabel) oder Akku (ohne Kabel) betriebenes Elektrowerkzeug.

Sicherheitswarnungen für Akku-Bandsäge

1. Halten Sie das Elektrowerkzeug an den isolierten Griffflächen, wenn Sie Arbeiten ausführen, bei denen die Gefahr besteht, dass das Schneidzubehör verborgene Kabel kontaktiert. Wenn das Schneidzubehör ein Stromführendes Kabel kontaktiert, können die freiliegenden Metallteile des Elektrowerkzeugs ebenfalls Stromführend werden, so dass der Benutzer einen elektrischen Schlag erleiden kann.

2. Verwenden Sie nur Sägeblätter, die in „TECHNISCHE DATEN“ aufgeführt sind.
3. Überprüfen Sie das Sägeblatt vor dem Betrieb sorgfältig auf Risse oder Beschädigung. Wechseln Sie ein gerissenes oder beschädigtes Sägeblatt unverzüglich aus.
4. Spannen Sie das Werkstück sicher ein. Wenn Sie mehrere Werkstücklagen schneiden, stellen Sie sicher, dass alle Werkstücke fest zusammengehalten werden, bevor Sie mit dem Schneiden beginnen.
5. Das Schneiden von ölbedeckten Werkstücken kann zu plötzlichem Lösen des Sägeblatts führen. Wischen Sie überschüssiges Öl auf den Werkstücken vor dem Schneiden restlos ab.
6. Verwenden Sie niemals Schneidöl als Schneidschmiermittel. Verwenden Sie nur Makita-Schneidwachs.
7. Halten Sie das Werkzeug mit festem Griff.
8. Halten Sie Ihre Hände von rotierenden Teilen fern.
9. Achten Sie beim Schneiden von Metall auf herausgeschleuderte heiße Späne.
10. Lassen Sie das Werkzeug nicht unbeaufsichtigt laufen.
11. Vermeiden Sie eine Berührung des Sägeblatts oder des Werkstücks unmittelbar nach der Bearbeitung, weil sie dann möglicherweise noch sehr heiß sind und Hautverbrennungen verursachen können.

Wichtige Sicherheitsanweisungen für Akku

1. Lesen Sie vor der Benutzung des Akkus alle Anweisungen und Warnhinweise, die an (1) Ladegerät, (2) Akku und (3) Akkuwerkzeug angebracht sind.
2. Unterlassen Sie ein Zerlegen des Akkus.
3. Falls die Betriebszeit beträchtlich kürzer geworden ist, stellen Sie den Betrieb sofort ein. Anderenfalls besteht die Gefahr von Überhitzung, möglichen Verbrennungen und sogar einer Explosion.
4. Falls Elektrolyt in Ihre Augen gelangt, waschen Sie sie mit sauberem Wasser aus, und begeben Sie sich unverzüglich in ärztliche Behandlung. Anderenfalls können Sie Ihre Sehkraft verlieren.
5. Der Akku darf nicht kurzgeschlossen werden:
 - (1) Die Kontakte dürfen nicht mit leitfähigem Material berührt werden.
 - (2) Lagern Sie den Akku nicht in einem Behälter zusammen mit anderen Metallgegenständen, wie z. B. Nägel, Münzen usw.
 - (3) Setzen Sie den Akku weder Wasser noch Regen aus.Ein Kurzschluss des Akkus verursacht starken Stromfluss, der Überhitzung, mögliche Verbrennungen und einen Defekt zur Folge haben kann.
6. Lagern Sie das Werkzeug und den Akku nicht an Orten, an denen die Temperatur 50 °C erreichen oder überschreiten kann.

7. Versuchen Sie niemals, den Akku zu verbrennen, selbst wenn er stark beschädigt oder vollkommen verbraucht ist. Der Akku kann im Feuer explodieren.
8. Achten Sie darauf, dass der Akku nicht fallen gelassen oder Stößen ausgesetzt wird.
9. Benutzen Sie keine beschädigten Akkus.
10. Die enthaltenen Lithium-Ionen-Akkus unterliegen den Anforderungen der Gefahrgut-Gesetzgebung.
Für kommerzielle Transporte, z. B. durch Dritte oder Spediteure, müssen besondere Anforderungen zu Verpackung und Etikettierung beachtet werden.
Zur Vorbereitung des zu transportierenden Artikels ist eine Beratung durch einen Experten für Gefahrgut erforderlich. Bitte beachten Sie möglicherweise ausführlichere nationale Vorschriften. Überkleben oder verdecken Sie offene Kontakte, und verpacken Sie den Akku so, dass er sich in der Verpackung nicht umher bewegen kann.
11. Entfernen Sie den Akku zum Entsorgen vom Werkzeug, und entsorgen Sie ihn an einem sicheren Ort. Befolgen Sie die örtlichen Vorschriften bezüglich der Entsorgung von Akkus.
12. Verwenden Sie die Akkus nur mit den von Makita angegebenen Produkten. Das Einsetzen der Akkus in nicht konforme Produkte kann zu einem Brand, übermäßiger Hitzebildung, einer Explosion oder Auslaufen von Elektrolyt führen.
13. Soll das Werkzeug längere Zeit nicht benutzt werden, muss der Akku vom Werkzeug entfernt werden.

DIESE ANWEISUNGEN AUFBEWAHREN.

⚠ VORSICHT: Verwenden Sie nur Original-Makita-Akkus. Die Verwendung von Nicht-Original-Makita-Akkus oder von Akkus, die abgeändert worden sind, kann zum Bersten des Akkus und daraus resultierenden Bränden, Personenschäden und Beschädigung führen. Außerdem wird dadurch die Makita-Garantie für das Makita-Werkzeug und -Ladegerät ungültig.

Hinweise zur Aufrechterhaltung der maximalen Akku-Nutzungsdauer

1. Laden Sie den Akku, bevor er vollkommen erschöpft ist. Schalten Sie das Werkzeug stets aus, und laden Sie den Akku, wenn Sie ein Nachlassen der Werkzeulleistung feststellen.
2. Unterlassen Sie erneutes Laden eines voll aufgeladenen Akkus. Überladen führt zu einer Verkürzung der Nutzungsdauer des Akkus.
3. Laden Sie den Akku bei Raumtemperatur zwischen 10 – 40 °C. Lassen Sie einen heißen Akku abkühlen, bevor Sie ihn laden.
4. Der Akku muss geladen werden, wenn er lange Zeit (länger als sechs Monate) nicht benutzt wird.

FUNKTIONSBESCHREIBUNG

⚠ VORSICHT: Vergewissern Sie sich vor der Durchführung von Einstellungen oder Funktionsprüfungen des Werkzeugs stets, dass das Werkzeug ausgeschaltet und der Akku abgenommen ist.

Anbringen und Abnehmen des Akkus

⚠ VORSICHT: Schalten Sie das Werkzeug stets aus, bevor Sie den Akku anbringen oder abnehmen.

⚠ VORSICHT: Halten Sie das Werkzeug und den Akku beim Anbringen oder Abnehmen des Akkus sicher fest. Wenn Sie das Werkzeug und den Akku nicht sicher festhalten, können sie Ihnen aus der Hand rutschen, was zu einer Beschädigung des Werkzeugs und des Akkus und zu Körperverletzungen führen kann.

► **Abb.1:** 1. Rote Anzeige 2. Knopf 3. Akku

Ziehen Sie den Akku zum Abnehmen vom Werkzeug ab, während Sie den Knopf an der Vorderseite des Akkus verschieben.

Richten Sie zum Anbringen des Akkus dessen Führungsfeder auf die Nut im Gehäuse aus, und schieben Sie den Akku hinein. Schieben Sie ihn vollständig ein, bis er mit einem hörbaren Klicken einrastet. Falls die rote Anzeige an der Oberseite des Knopfes sichtbar ist, ist der Akku nicht vollständig verriegelt.

⚠ VORSICHT: Schieben Sie den Akku stets bis zum Anschlag ein, bis die rote Anzeige nicht mehr sichtbar ist. Anderenfalls kann er aus dem Werkzeug herausfallen und Sie oder umstehende Personen verletzen.

















⚠ VORSICHT: Unterlassen Sie Gewaltanwendung beim Anbringen des Akkus. Falls der Akku nicht reibungslos hineingleitet, ist er nicht richtig ausgerichtet.

Anzeigen der Akku-Restkapazität

Nur für Akkus mit Anzeige

► **Abb.2:** 1. Anzeigelampen 2. Prüftaste

Drücken Sie die Prüftaste am Akku, um die Akku-Restkapazität anzuzeigen. Die Anzeigelampen leuchten wenige Sekunden lang auf.

Anzeigelampen			Restkapazität
			
Erleuchtet	Aus	Blinkend	
			75% bis 100%
			50% bis 75%
			25% bis 50%
			0% bis 25%
			Den Akku aufladen.
			Möglicherweise liegt eine Funktionsstörung im Akku vor.
			

HINWEIS: Abhängig von den Benutzungsbedingungen und der Umgebungstemperatur kann die Anzeige geringfügig von der tatsächlichen Kapazität abweichen.

Werkzeug/Akku-Schutzsystem

Das Werkzeug ist mit einem Werkzeug/Akku-Schutzsystem ausgestattet. Dieses System schaltet die Stromversorgung des Motors automatisch ab, um die Lebensdauer von Werkzeug und Akku zu verlängern. Das Werkzeug bleibt während des Betriebs automatisch stehen, wenn das Werkzeug oder der Akku einer der folgenden Bedingungen unterliegt:

Überlastschutz

Wird der Akku auf eine Weise benutzt, die eine ungewöhnlich hohe Stromaufnahme bewirkt, bleibt das Werkzeug ohne jegliche Anzeige automatisch stehen. Schalten Sie in dieser Situation das Werkzeug aus, und brechen Sie die Arbeit ab, die eine Überlastung des Werkzeugs verursacht hat. Schalten Sie dann das Werkzeug wieder ein, um es neu zu starten.

Überhitzungsschutz

Wenn das Werkzeug überhitzt wird, bleibt es automatisch stehen, und die Lampe beginnt zu blinken. Lassen Sie das Werkzeug und den Akku in dieser Situation abkühlen, bevor Sie das Werkzeug wieder einschalten.

Überentladungsschutz

Wenn die Akkukapazität unzureichend wird, bleibt das Werkzeug automatisch stehen. Nehmen Sie in diesem Fall den Akku vom Werkzeug ab, und laden Sie ihn auf.

Haken

VORSICHT: Hängen Sie das Werkzeug auf keinen Fall an hoch gelegenen oder potenziell instabilen Stellen auf.

Der Aufhänger ist praktisch, um das Werkzeug vorübergehend aufzuhängen.

Um den Aufhänger zu benutzen, heben Sie ihn einfach an, bis er in die geöffnete Position einrastet.

Wenn er nicht benutzt wird, senken Sie den Aufhänger stets ab, bis er in die geschlossene Position einrastet.

Geöffnete Position

► **Abb.3:** 1. Haken

Geschlossene Position

► **Abb.4:** 1. Haken

Schalterfunktion

WARUNG: Vergewissern Sie sich vor dem Einsetzen des Akkus in das Werkzeug stets, dass der Ein-Aus-Schalter ordnungsgemäß funktioniert und beim Loslassen in die AUS-Stellung zurückkehrt.

WARUNG: Versuchen Sie NIEMALS, den Einschaltsperrknopf mit Klebeband oder anderen Mitteln unwirksam zu machen. Ein Schalter mit unwirksamem Einschaltsperrknopf kann zu ungewolltem Betrieb und daraus resultierenden schweren Personenschäden führen.

WARUNG: Betreiben Sie das Werkzeug NIEMALS, wenn es durch einfache Betätigung des Ein-Aus-Schalters eingeschaltet werden kann, ohne den Einschaltsperrknopf zu drücken. Ein reparaturbedürftiger Schalter kann zu ungewolltem Betrieb und daraus resultierenden schweren Personenschäden führen. Lassen Sie das Werkzeug von einer Makita-Kundendienststelle ordnungsgemäß reparieren, BEVOR Sie es weiter benutzen.

Um versehentliche Betätigung des Auslöseschalters zu verhüten, ist das Werkzeug mit einem Einschaltsperrknopf ausgestattet. Zum Starten des Werkzeugs drücken Sie zuerst den Einschaltsperrknopf und betätigen Sie dann den Auslöseschalter. Die Werkzeugdrehzahl erhöht sich durch verstärkte Druckausübung auf den Auslöseschalter. Zum Anhalten lassen Sie den Auslöseschalter los.

► **Abb.5:** 1. Einschaltsperrknopf 2. Auslöseschalter

Einschalten der Frontlampe

VORSICHT: Blicken Sie nicht direkt in die Lampe oder die Lichtquelle.

Betätigen Sie den Auslöseschalter, um die Lampe einzuschalten. Die Lampe bleibt erleuchtet, solange der Auslöseschalter gedrückt gehalten wird. Die Lampe erlischt ungefähr 10 Sekunden nach dem Loslassen des Auslöseschalters.

► **Abb.6:** 1. Lampe

HINWEIS: Setzen Sie die Lampe keinen Erschütterungen aus, weil sie sonst beschädigt werden oder ihre Lebensdauer sich verkürzen kann.

HINWEIS: Wischen Sie Schmutz auf der Lampenlinse mit einem trockenen Tuch ab. Achten Sie sorgfältig darauf, dass Sie die Lampenlinse nicht verkratzen, weil sich sonst die Lichtstärke verringert.

HINWEIS: Wenn das Werkzeug überhitzt ist, blinkt die Lampe eine Minute lang und erlischt dann. Lassen Sie das Werkzeug in diesem Fall abkühlen, bevor Sie die Arbeit fortsetzen.

MONTAGE

VORSICHT: Vergewissern Sie sich vor der Ausführung von Arbeiten am Werkzeug stets, dass das Werkzeug ausgeschaltet und der Akku abgenommen ist.

Montieren und Demontieren des Bandsägeblatts

⚠ VORSICHT: Öl auf dem Bandsägeblatt kann zu Durchrutschen oder plötzlichem Lösen des Sägeblatts führen. Wischen Sie überschüssiges Öl vor der Montage des Bandsägeblatts mit einem Lappen restlos ab.

⚠ VORSICHT: Tragen Sie stets Schutzhandschuhe bei der Handhabung des Bandsägeblatts.

⚠ VORSICHT: Lassen Sie bei der Handhabung des Bandsägeblatts Vorsicht walten, damit Sie sich nicht an den scharfen Kanten der Sägeblattzähne verletzen.

⚠ VORSICHT: Halten Sie Ihren Körper vom Bandsägeblatt fern, wenn Sie die Sägeblattbewegung überprüfen.

⚠ VORSICHT: Wenn Sie den Sägeblatt-Spannhebel zum Lockern des Bandsägeblatts im Uhrzeigersinn drehen, halten Sie das Werkzeug nach unten, weil das Bandsägeblatt plötzlich herauspringen kann.

Zum Montieren des Bandsägeblatts:

1. Drehen Sie den Sägeblatt-Spannhebel im Uhrzeigersinn bis zum Anschlag, um das Rad zu lösen.
▶ **Abb.7:** 1. Anziehen 2. Lösen
3. Sägeblatt-Spannhebel

2. Öffnen Sie die Radabdeckung.
▶ **Abb.8:** 1. Radabdeckung 2. Raste

ANMERKUNG: Um die Radabdeckung abzunehmen, öffnen und lösen Sie beide Rasten gleichzeitig. Wird nur eine Raste geöffnet, kann ein Riss in der Radabdeckung entstehen.

3. Gleichen Sie die Richtung der Pfeile auf Bandsägeblatt und Rädern an.

4. Führen Sie die nicht gezahnte Seite des Bandsägeblatts in den oberen Halter und den unteren Halter ein. Vergewissern Sie sich, dass das Bandsägeblatt sowohl im oberen als auch unteren Halter die unteren Lager berührt.
▶ **Abb.9:** 1. Unterer Halter 2. Oberer Halter 3. Unteres Lager

5. Während Sie auf den mittleren Teil des Bandsägeblatts drücken, positionieren Sie das Sägeblatt um ein Rad. Durch Verschieben des Rads zur Seite A wird dieser Vorgang erleichtert.
▶ **Abb.10:** 1. Rad 2. Gummireifen

6. Positionieren Sie das Bandsägeblatt in ähnlicher Weise auf das andere Rad.

7. Positionieren Sie die Kante des Bandsägeblatts auf den Gummireifen.

8. Halten Sie das Bandsägeblatt in Position, und drehen Sie den Sägeblatt-Spannhebel bis zum Anschlag entgegen dem Uhrzeigersinn. Dadurch wird das Bandsägeblatt korrekt gespannt.

9. Schließen Sie die Radabdeckung.

ANMERKUNG: Vergewissern Sie sich, dass das Bandsägeblatt korrekt um die Räder positioniert ist.

ANMERKUNG: Schalten Sie das Werkzeug zweibis dreimal ein und aus, um sicherzustellen, dass das Bandsägeblatt einwandfrei auf den Rädern läuft.

Zum Demontieren des Bandsägeblatts ist das Montageverfahren umgekehrt anzuwenden.

Einstellen der Sägeblattspur

Wenn das Bandsägeblatt zum Abrutschen vom Rad neigt, stellen Sie die Sägeblattspur ein. Führen Sie den Inbusschlüssel zum Einstellen in die Einstellöffnung ein, wie dargestellt, und drehen Sie ihn um eine Vierteldrehung im Uhrzeigersinn. Stellen Sie anschließend sicher, dass das Bandsägeblatt nicht abrutscht. Falls es noch immer abrutscht, führen Sie eine weitere Vierteldrehung aus, und prüfen Sie so lange, bis das Bandsägeblatt nicht mehr abrutscht.

▶ **Abb.11:** 1. Inbusschlüssel 2. Einstellöffnung

Einstellen der Anschlagplattenposition

Bei normalem Betrieb muss die Anschlagplatte vollständig in Richtung A überstehen.

Wenn die Anschlagplatte am Ende eines Schnitts gegen ein Hindernis, wie z. B. eine Wand oder dergleichen, stößt, lösen Sie die zwei Schrauben, und schieben Sie die Platte in Richtung B, wie in der Abbildung gezeigt. Sichern Sie die Anschlagplatte nach dem Verschieben, indem Sie die zwei Schrauben fest anziehen.

▶ **Abb.12:** 1. Anschlagplatte 2. Schrauben
3. Bandsägeblatt

BETRIEB

⚠ VORSICHT: Führen Sie den Akku immer vollständig ein, bis er einrastet. Falls die rote Anzeige an der Oberseite des Knopfes sichtbar ist, ist der Akku nicht vollständig verriegelt. Schieben Sie ihn bis zum Anschlag ein, bis die rote Anzeige nicht mehr sichtbar ist. Anderenfalls kann er aus dem Werkzeug herausfallen und Sie oder umstehende Personen verletzen.

⚠ VORSICHT: Halten Sie stets den Handgriff fest. Halten Sie niemals den Werkzeugkörper oder die Schutzhauben. Ihre Hände können von diesen Stellen abrutschen und mit dem Bandsägeblatt in Berührung kommen. Dies kann zu Personenschäden führen.

⚠ VORSICHT: Vergewissern Sie sich, dass die Radabdeckung sicher geschlossen ist.

⚠ VORSICHT: Halten Sie das Werkzeug unbedingt mit festem Griff, wenn Sie es ein- oder ausschalten, oder beim Schneiden. Anderenfalls kann das Werkzeug herunterfallen und Personenschäden verursachen.

⚠ VORSICHT: Tragen Sie beim Sägen von Metall immer Handschuhe, um Ihre Hände vor umherfliegenden heißen Spänen zu schützen.

⚠ VORSICHT: Halten Sie Ihren Körper und Ihr Gesicht vom Bandsägeblatt und von herausgeschleuderten Spänen fern.

Um einen stabilen Schnitt auszuführen, halten Sie immer mindestens zwei Zähne im Schnitt.

► **Abb.13**

Setzen Sie das Bandsägeblatt an die geeignete Schneidposition am Werkstück an, wie dargestellt.

► **Abb.14**

1. Halten Sie das Werkzeug, wie dargestellt.

Vergewissern Sie sich vor dem Einschalten des Werkzeugs immer, dass die Anschlagplatte das Werkstück berührt und das Bandsägeblatt keine Berührung mit dem Werkstück hat.

► **Abb.15**

2. Schalten Sie das Werkzeug ein, und warten Sie, bis das Bandsägeblatt die volle Geschwindigkeit erreicht hat. Senken Sie das Sägeblatt sachte in den Schnitt. Das Eigengewicht des Werkzeugs oder leichtes Andrücken liefert genügend Druck für den Schneidvorgang. Üben Sie keinen übermäßigen Druck auf das Werkzeug aus.

► **Abb.16**

3. Verringern Sie kurz vor dem Ende des Schnitts den Druck, und heben Sie das Werkzeug leicht an, damit es nicht auf das Werkstück fällt.

ANMERKUNG: Übermäßige Druckausübung auf das Werkzeug oder Verdrehen des Bandsägeblatts kann einen schiefen Schnitt oder Beschädigung des Sägeblatts verursachen.

ANMERKUNG: Wenn Sie das Werkzeug längere Zeit nicht benutzen, entfernen Sie das Bandsägeblatt aus dem Werkzeug.

ANMERKUNG: Wenn das Werkzeug im Dauerbetrieb bis zur vollkommenen Entladung des Akkus benutzt wurde, lassen Sie das Werkzeug vor dem Fortsetzen des Betriebs mit einem frischen Akku 15 Minuten lang ruhen.

Schneidschmiermittel

Sonderzubehör

⚠ VORSICHT: Verwenden Sie auf keinen Fall Schneidöl, und tragen Sie auch nicht zu viel Wachs auf das Bandsägeblatt auf. Das Sägeblatt kann sonst durchrutschen oder sich plötzlich lösen.

⚠ VORSICHT: Tragen Sie zum Schneiden von Gusseisen kein Schneidwachs auf.

Verwenden Sie zum Schneiden von Metall Makita-Schneidwachs als Schmiermittel. Um das Schneidwachs auf die Zähne des Bandsägeblatts aufzutragen, entfernen Sie eine Kappe vom Schneidwachs, starten Sie das Werkzeug, und schneiden Sie in das Wachs, wie dargestellt.

► **Abb.17:** 1. Schneidwachs

WARTUNG

⚠ VORSICHT: Vergewissern Sie sich vor der Durchführung von Inspektions- oder Wartungsarbeiten stets, dass das Werkzeug ausgeschaltet und der Akku abgenommen ist.

ANMERKUNG: Verwenden Sie auf keinen Fall Benzin, Waschbenzin, Verdünnern, Alkohol oder dergleichen. Solche Mittel können Verfärbung, Verformung oder Rissbildung verursachen.

Um die SICHERHEIT und ZUVERLÄSSIGKEIT dieses Produkts zu gewährleisten, sollten Reparaturen und andere Wartungs- oder Einstellarbeiten nur von Makita-Vertragswerkstätten oder Makita-Kundendienstzentren unter ausschließlicher Verwendung von Makita-Originalersatzteilen ausgeführt werden.

Reinigen

⚠ VORSICHT: Wachs und Späne auf den Gummireifen an den Rädern können Durchrutschen und plötzlich Lösen des Bandsägeblatts verursachen. Säubern Sie die Gummireifen mit einem trockenen Tuch von Wachs und Spänen.

Entfernen Sie nach dem Gebrauch Wachs, Späne und Staub von dem Werkzeug, den Gummireifen an den Rädern und dem Bandsägeblatt.

Austauschen der Gummireifen an den Rädern

Tauschen Sie die Gummireifen aus, wenn das Bandsägeblatt wegen stark abgenutzter Reifen durchrutscht oder nicht richtig spurt. Wenden Sie sich zum Austauschen der Gummireifen an ein autorisiertes Makita- oder Werks-Servicecenter.

SONDERZUBEHÖR

⚠ VORSICHT: Die folgenden Zubehörteile oder Vorrichtungen werden für den Einsatz mit dem in dieser Anleitung beschriebenen Makita-Werkzeug empfohlen. Die Verwendung anderer Zubehörteile oder Vorrichtungen kann eine Verletzungsgefahr darstellen. Verwenden Sie Zubehörteile oder Vorrichtungen nur für ihren vorgesehenen Zweck.

Wenn Sie weitere Einzelheiten bezüglich dieser Zubehörteile benötigen, wenden Sie sich bitte an Ihre Makita-Kundendienststelle.

- Original-Makita-Akku und -Ladegerät
- Bandsägeblätter
- Schneidwachs

HINWEIS: Manche Teile in der Liste können als Standardzubehör im Werkzeugsatz enthalten sein. Sie können von Land zu Land unterschiedlich sein.

Makita Europe N.V. Jan-Baptist Vinkstraat 2,
3070 Kortenberg, Belgium

Makita Corporation 3-11-8, Sumiyoshi-cho,
Anjo, Aichi 446-8502 Japan

www.makita.com

885792-973 EN, PL, HU, SK, CS, UK, RO, DE 20200107
