

- A range of brass fittings from 10 to 64 mm and 1/4" to 2 1/2".
- Fittings in conformity with EN 1254-1 standard.
- Most fittings bear an 'A' mark, guaranteeing that they come from Comap.

Advantages

Versatile Sudo fittings can be used in drinking water, heating, chilled water, underfloor heating and domestic water systems. This wide product range fits into most hydraulic network configurations.

Sudo Brass

- Thermal treatment for maximum strength.
- High-quality brass, conforming to standards.
- The Comap 'A' mark: a guarantee of quality.

Sudo Bronze

- High-quality bronze, conforming to the EN 1254-1 standard.
- Marked to guarantee quality.

Technical Specifications

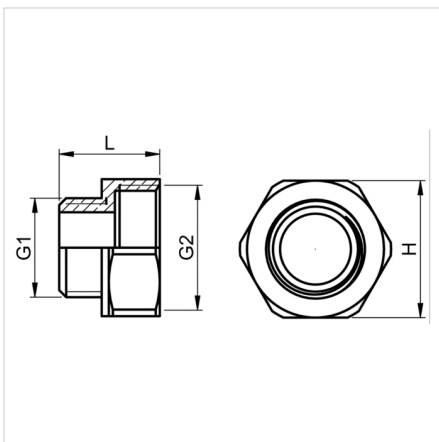
Sudo brass end feeds are designed for heating and sanitary application up to 95 °C and 16 bar

For threaded fittings, maximum tightening torque:

- 20Nm < 1/2.
- 30Nm between 1/2 to 3/4.
- 40Nm > 3/4.



Description	Reducer male-female 1/4"-3/4"	
Order Code	E122063001	
GTIN	3430650337176	
Model	<u>8246R - Reducer male-female</u>	
Dimensions	F [mm]	22,5
	G1 ["]	G 1/4"
	G2 ["]	G 3/4"
	H [mm]	29



Classification General Data

Etim Group

Etim Class

Product Name 8246R Rac laiton Red MF 1/4-3/4

Brand Comap

Product Type Sudo Brass Endfeeds

Order Code E122063001

GTIN 3430650337176

Fort Blauwkapel 1
1358 DB, Almere - nl

T +31 20 210 34 97

E nl.info@aalberts-hfc.com

I comap.aalberts-hfc.com/nl
