

Milwaukee®

Nothing but **HEAVY DUTY**.®



M18 HCC45

Original instructions
Originalbetriebsanleitung
Notice originale
Istruzioni originali
Manual original
Manual original
Oorspronkelijke
gebruiksaanwijzing
Original brugsanvisning
Original bruksanvisning
Bruksanvisning i original

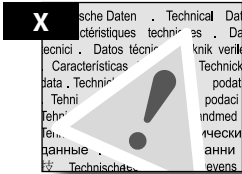
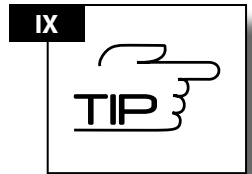
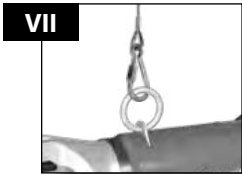
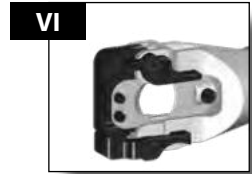
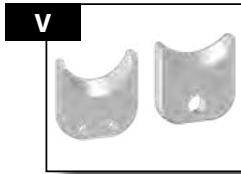
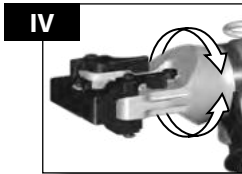
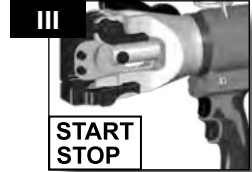
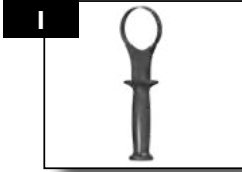
Alkuperäiset ohjeet
Πρωτότυπο οδηγίων χρήσης
Orijinal işletme talimatı
Původním návodem k používání
Původný návod na použití
Instrukcją oryginalną
Eredeti használati utasítás
Izvirna navodila
Originalne pogonske upute
Instrukcijām oriēnālvadā
Originali instrukcija

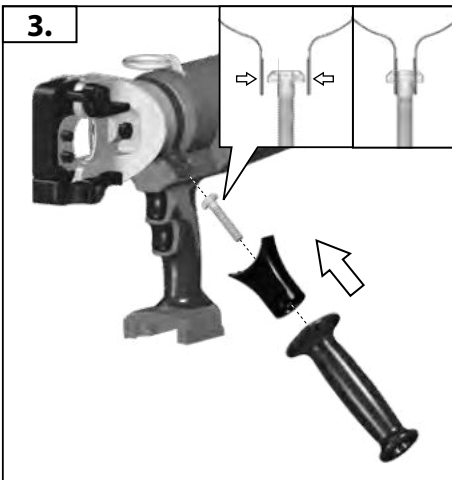
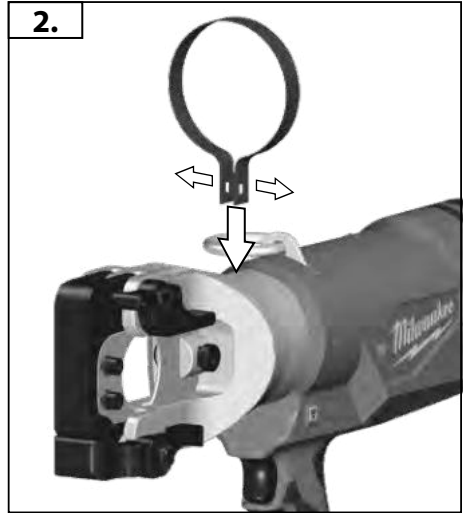
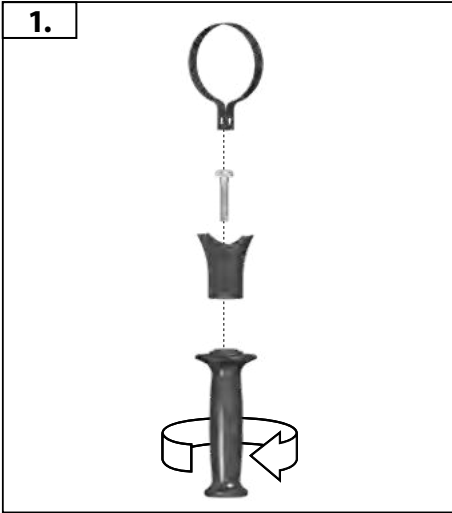
Algupärane kasutusjuhend
Оригинальное руководство
по эксплуатации
Οριγiνaλνο ρъководство за
експлоатация
Instrucțiuni de folosire originale
Оригинален прирачник за
работа
Оригiнал iнструкції з
експлоатації
التعليمات الأصلية

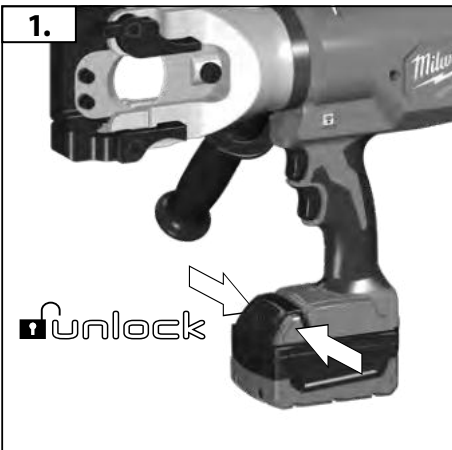
Technical Data, Safety Instructions, Specified Conditions of Use, Declaration of Conformity, Batteries, Maintenance, Symbols	Please read and save these instructions!	English	16
Technische Daten, Sicherheitshinweise, Bestimmungsgemäße Verwendung, CE-Konformitätserklärung, Akkus, Wartung, Symbole	Bitte lesen und aufbewahren!	Deutsch	20
Caractéristiques techniques, Instructions de sécurité, Utilisation conforme aux prescriptions, Déclaration CE de Conformité, Accus, Entretien, Symboles	A lire et à conserver soigneusement	Français	24
Dati tecnici, Norme di sicurezza, Utilizzo conforme, Dichiarazione di Conformità CE, Batterie, Manutenzione, Simboli	Si prega di leggere e conservare le istruzioni!	Italiano	28
Datos técnicos, Instrucciones de seguridad, Aplicación de acuerdo a la finalidad, Declaración de Conformidad CE, Batería, Mantenimiento, Símbolos	Lea y conserve estas instrucciones por favor!	Español	32
Características técnicas, Instruções de segurança, Utilização autorizada, Declaração de Conformidade CE, Acumulador, Manutenção, Símbolo	Por favor leia e conserve em seu poder!	Português	36
Technische gegevens, Veiligheidsadviezen, Voorgescreven gebruik van het systeem, EC-Konformiteitsverklaring, Akku, Onderhoud, Symbolen	Lees en let goed op deze adviezen!	Nederlands	40
Tekniske data, Sikkerhedshenvisninger, Tiltænk formål, CE-Konformitetserklæring, Batteri, Vedligeholdelse, Symboler	Vær venlig at læse og opbevare!	Dansk	44
Tekniske data, Spesielle sikkerhetshenvisninger, Formålsmessig bruk, CE-Samsvarserklæring, Batterier, Vedlikehold, Symboler	Vennligst les og oppbevar!	Norsk	48
Tekniska data, Säkerhetsutrustning, Använd maskinen Enligt anvisningarna, CEFörsäkrän, Batterier, Skötsel, Symboler	Läs igenom och spara!	Svenska	52
Tekniset arvot, Turvallisuusohjeet, Tarkoituksenmukainen käyttö, Todistus CE-standardinmukaisuudesta, Akku, Huolto, Symbolit	Lue ja säilytä!	Suomi	56
Τεχνικά στοιχεία, Ειδικές υποδείξεις ασφαλείας, Χρήση σύμφωνα με το σκοπό προοριζομένου, Δήλωση πιστότητας ΕΚ, Μπαταρίες, Συντήρηση, Σύμβολα.	Παρακαλούμε να τις διαβάσετε και να τις φυλάξετε!	Ελληνικά	60
Teknik verier, Güvenliğinizi için talimatlar, Kullanım, CE uygunluk beyanince, Akü, Bakım, Semboller	Lütfen okuyun ve saklayın	Türkçe	64
Technická data, Speciální bezpečnostní upozornění, Oblast využití, Ce-prohlášení o shodě, Akumulátory, Údržba, Symboly	Po přečtení uschovejte	Česky	68
Technické údaje, Špeciálne bezpečnostné pokyny, Použitie podľa predpisov, CE-Vyhlasenie konformity, Akumulátory, Údržba, Symboly	Prosím prečítať a uschovať!	Slovensky	72
Dane techniczne, Specjalne zalecenia dotyczące bezpieczeństwa, Użytkowanie zgodne z przeznaczeniem, Świadczenie zgodności ce, Baterie Akumulatorowe, Utrzymanie, Symbole	Należy uważnie przeczytać i zachować do wglądu!	Polski	76
Műszaki adatok, Különleges biztonsági tudnivalók, Rendeltetészerű használat, Ce-azonossági nyilatkozat, Akuk, Karbantartás, Szimbólumok	Olvassa el és őrizze meg	Magyar	80
Tehnični podatki, Specialni varnostni napotki, Uporaba v skladu z namembnostjo, Ce-izjava o konformnosti, Akumulatorji, Vzdrževanje, Simboli	Prosimo preberite in shranite!	Slovenščina	84
Tehnički podaci, Specijalne sigurnosne upute, Propisna upotreba, CE-Izjava konformnosti, Baterije, Održavanje, Simboli	Molimo pročitati i sačuvati	Hrvatski	88
Tehniskie dati, Speciāli drošības noteikumi, Noteikumiem atbilstošs izmantojums, Atbilstība CE normām, Akumulātori, Apkope, Simboli	Lūdzu, izlasīt un uzglabāt!	Latviski	92
Techniniai duomenys, Ypatingos saugumo nuorodos, Naudojimas pagal paskirti, CE Atitikties pareiškimas, Akumulatoriai, Techninis aptarnavimas, Simboliai	Prašome perskaityti ir neišmesti!	Lietuviškai	96
Tehnilised andmed, Spetsiaalsed turvajuhised, Kasutamise vastavalt otstarbele, EÜ Vastavusavaldus, Akud, Hooldus, Sümbolid	Palun lugege läbi ja hoidke alal!	Eesti	100
Технические данные, Указания по безопасности, Использование, Декларация о соответствии стандартам ЕС, Аккумулятор, Обслуживание, Символы	Пожалуйста прочтите и сохраните эту инструкцию.	Русский	104
Технически данни, Специални указания за безопасност, Използване по предназначение, CE - Декларация за съответствие, Аккумулятори, Поддръжка, Символи	Моля прочетете и запазете!	Български	109
Date tehnice, Instrucțiuni de securitate, Condiții de utilizare specificate, Declarație de conformitate, Acumulatori, Întreținere, Simboluri	Va rugăm citiți și păstrați aceste instrucțiuni	Română	113
Технички податоци, Упатства за употреба, Специфицирани услови на употреба, ЕУ- декларација за Сообразност, Батерии, Одржување, Символи	Ве молиме прочитајте го и чувајте го ова упатство!	Македонски	117
Технічні характеристики, Вказівки з Техніки Безпеки, Використання за призначенням, Сертифікат Відповідності Вимогам ЄС, Акумуляторні батареї, Обслуговування, Символи	Прочитайте та збережіть цю інструкцію.	Українська	121
البيانات الفنية، تعليمات السلامة، شروط الاستخدام المحددة، البطاريات، إعلان المطابقة - الاتحاد الأوروبي، الصيانة، الرموز	يُرجى قراءة وحفظ هذه التعليمات!	العربية	123

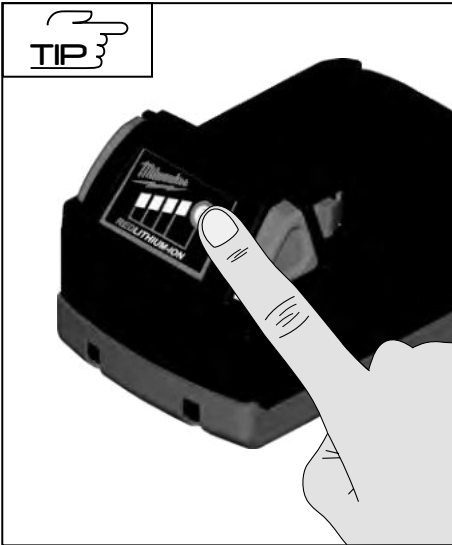




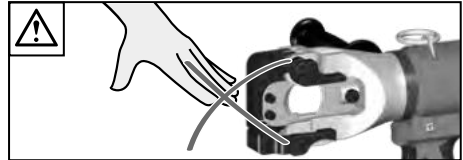
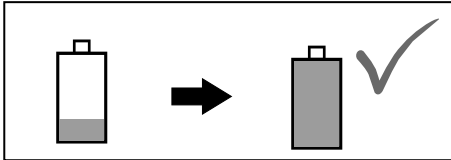
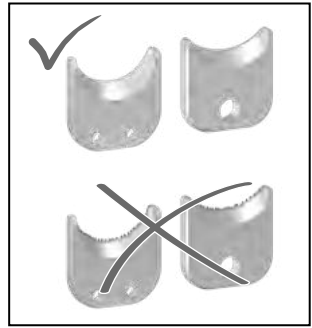




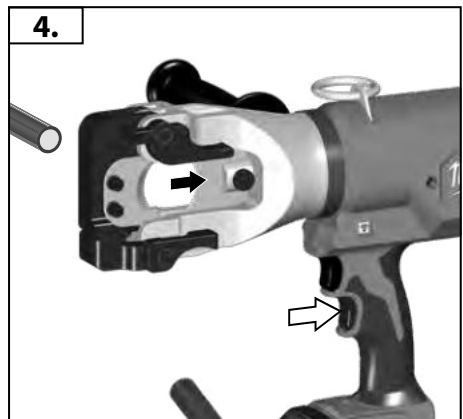
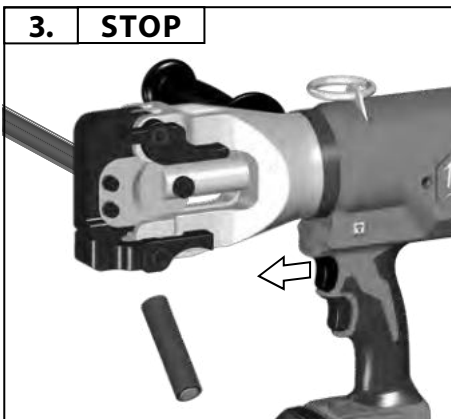
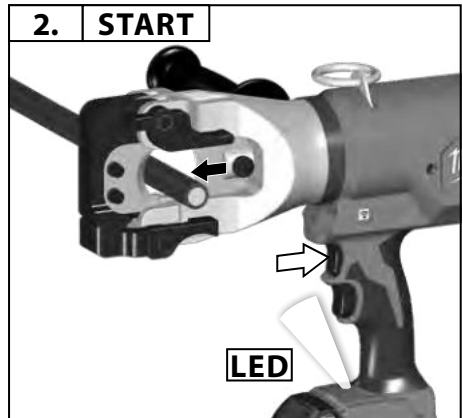
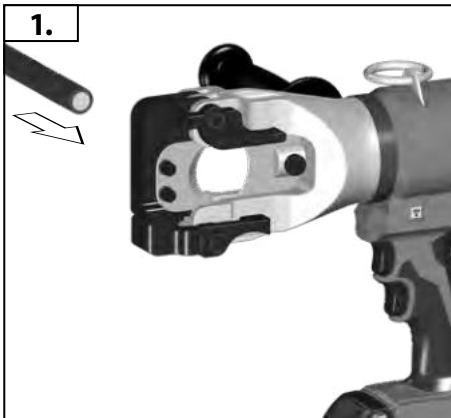




78-100 %		
55-77 %		
33-54 %		
10-32 %		
<10 %		

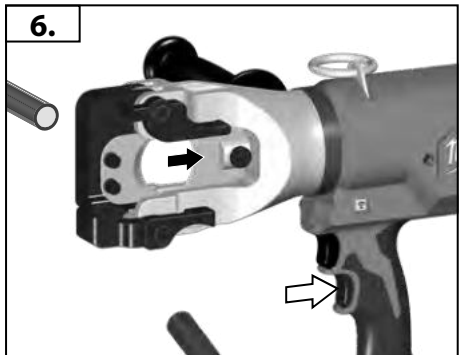
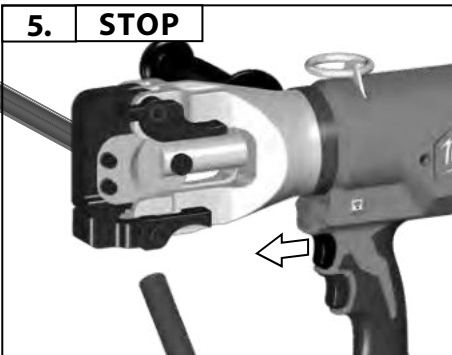
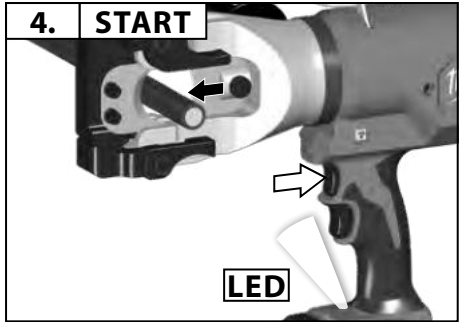
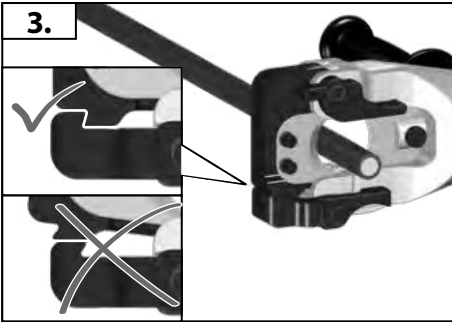
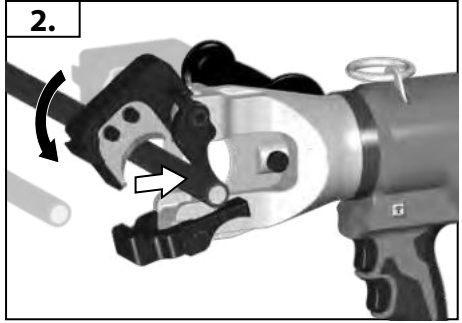
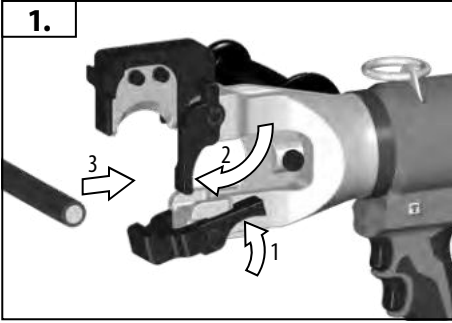


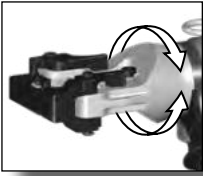
**START
STOP**



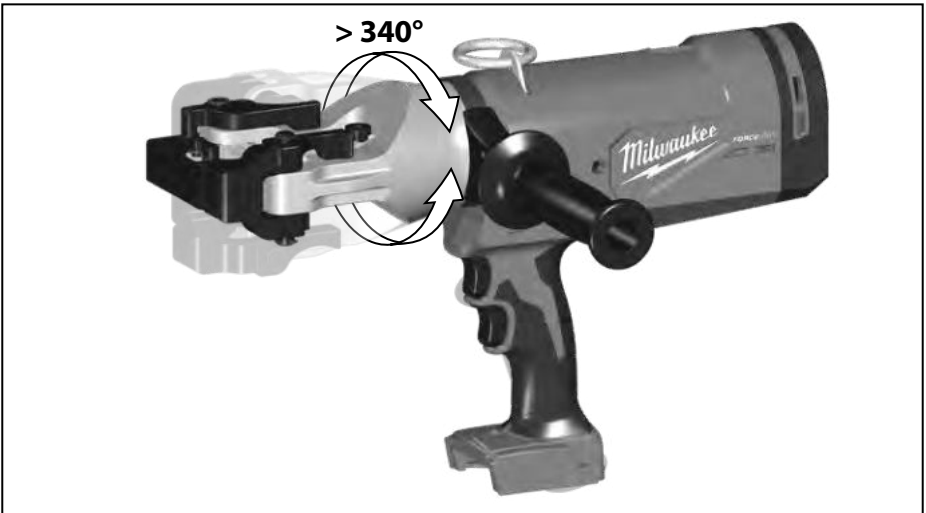


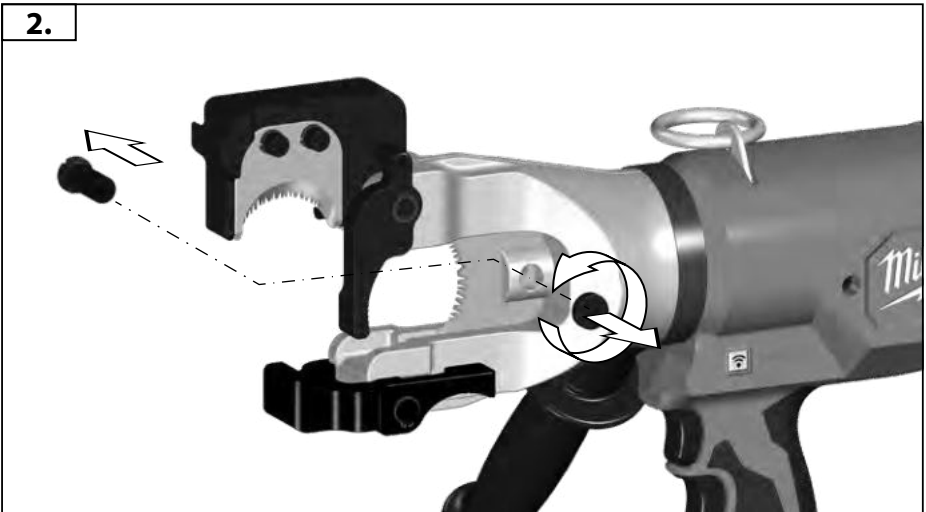
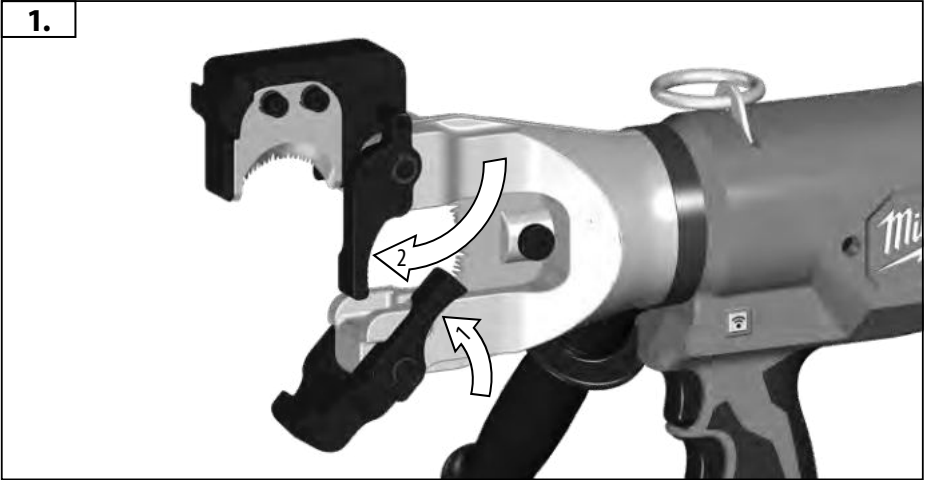
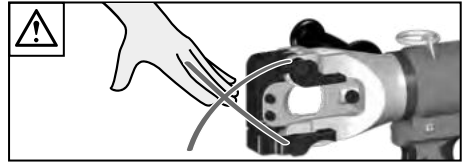
START
STOP

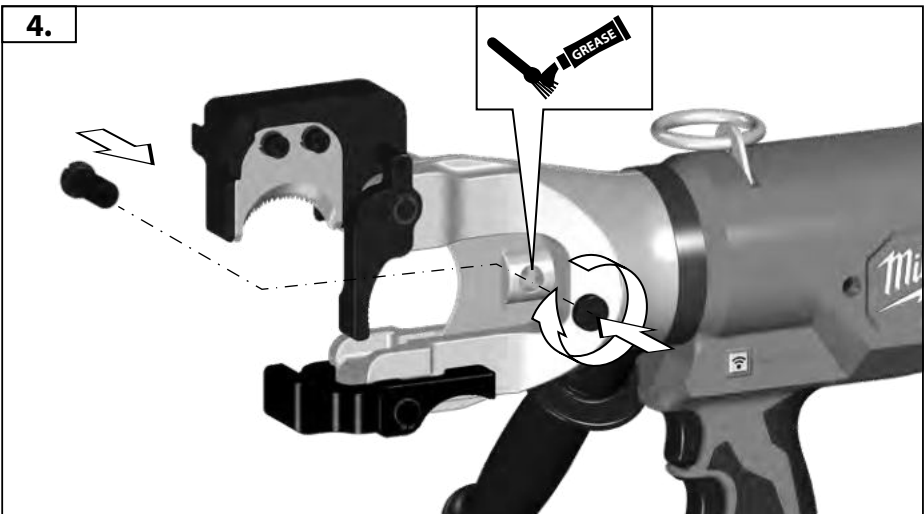
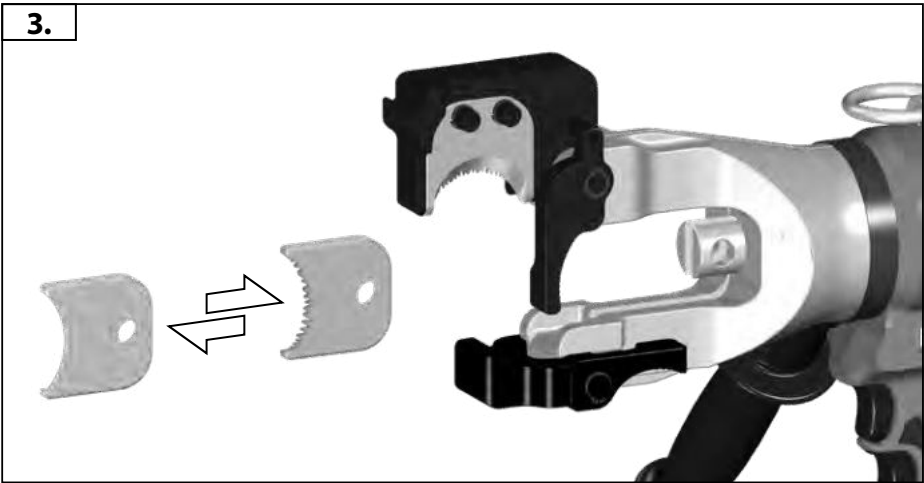
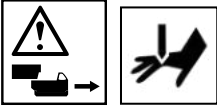
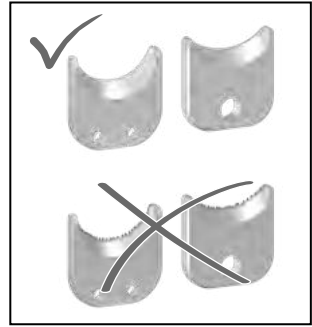


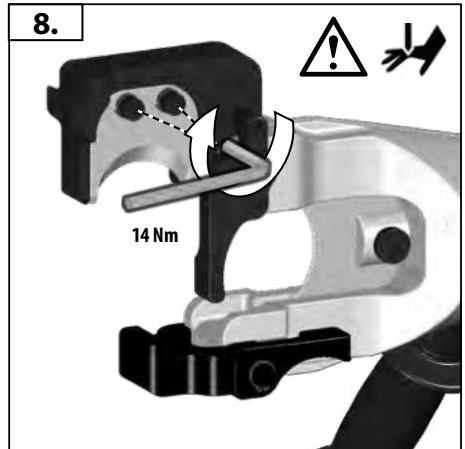
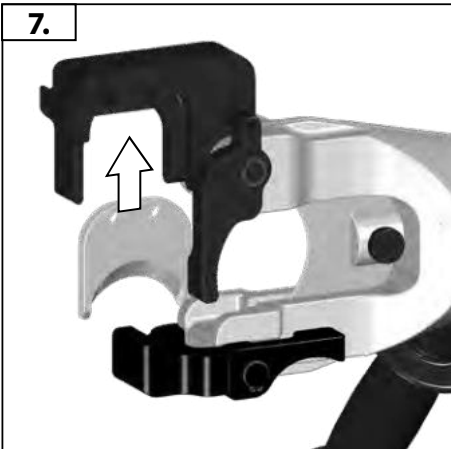
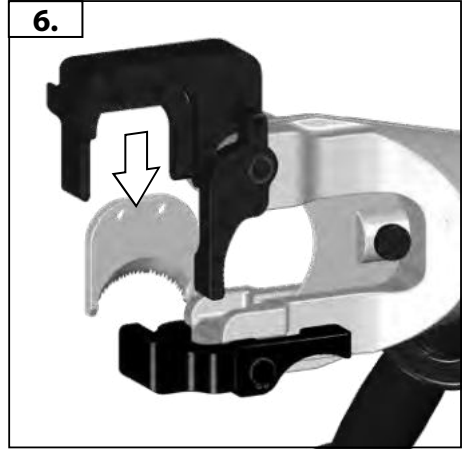
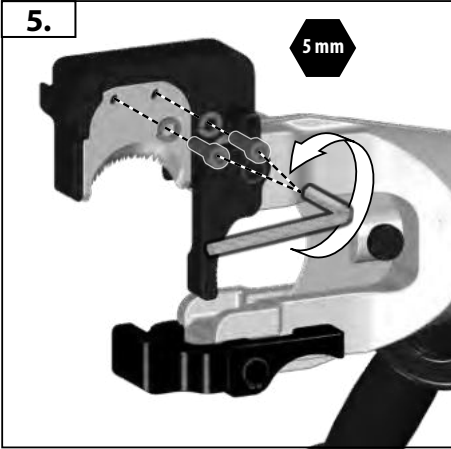
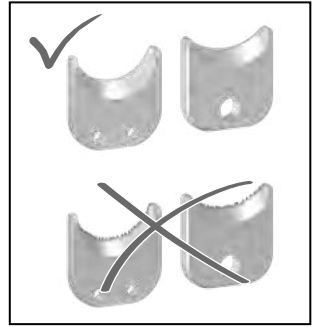
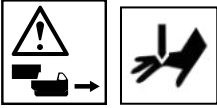


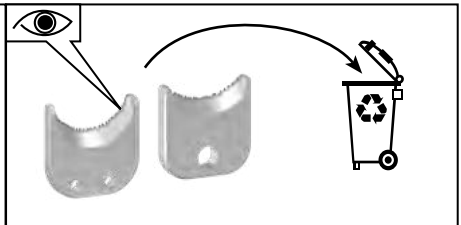
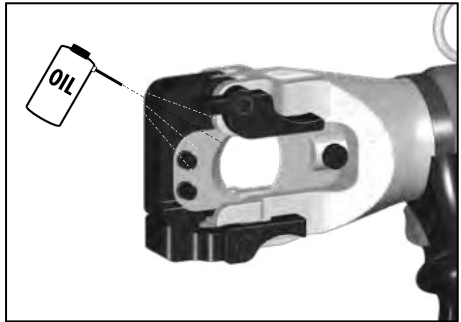
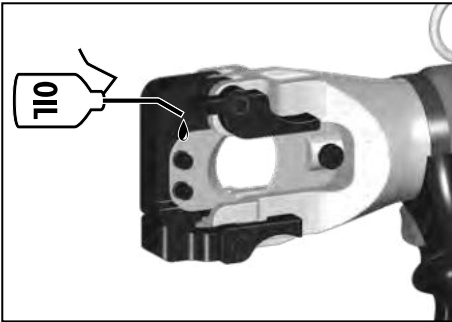
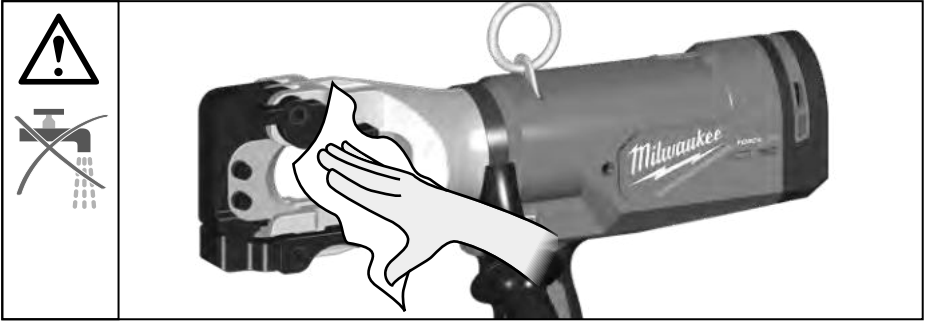
IV









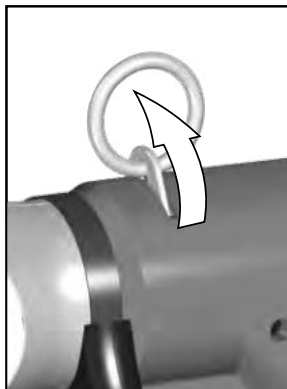




Not included in standard equipment.
Im Lieferumfang nicht enthalten.
Ces pièces ne font pas partie de la livraison.
on incluso nella dotazione standard.
No incluido en el equipo estándar.
Não incluído no equipamento normal.
Wordt niet meegeleverd.
Ikke inkluderet i leveringsomfanget.

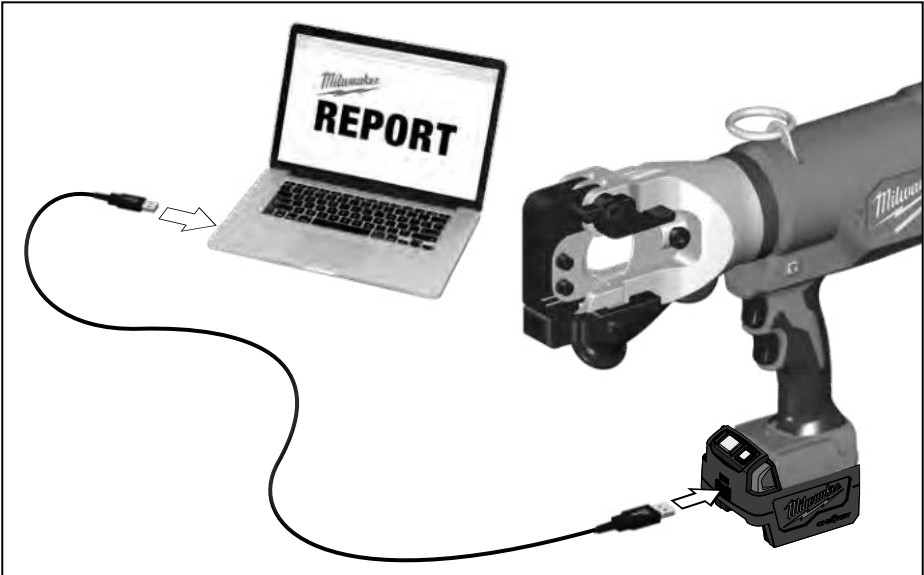
Inngår ikke i leveransen.
Ingår ej i leveransomfånget.
Ei sisälly vakiovarustukseen.
Δεν συμπεριλαμβάνεται
Teslimat kapsamında değildir.
V dodávce neobsaženo.
Neobsahuje štandardná výbava.
Nie stanowi wyposażenia standardowego
Nem tartozéka a készüléknek.
Ni v obsegu dobave.
U opsegu isporuke nije sadržano.

Komplektācijā nav ietverts.
Nejeina j komplektācijā.
Ei kuulu tarne komplekti.
Не входит в объем поставки
Не е включено в обема на доставката.
Nu este inclus în echipamentul standard
Не е включено во стандардна опрема
Не входит в обсяг поставчання.
ليس مدرجا كمعدة قياسية



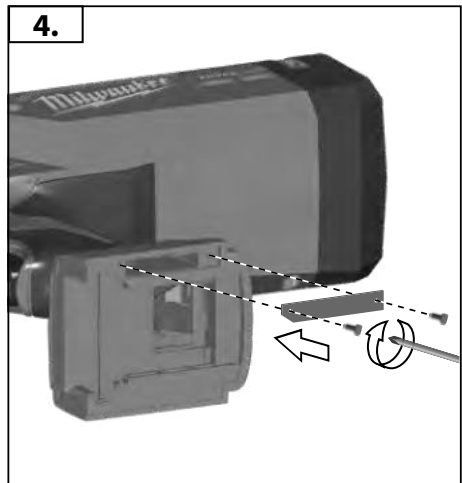
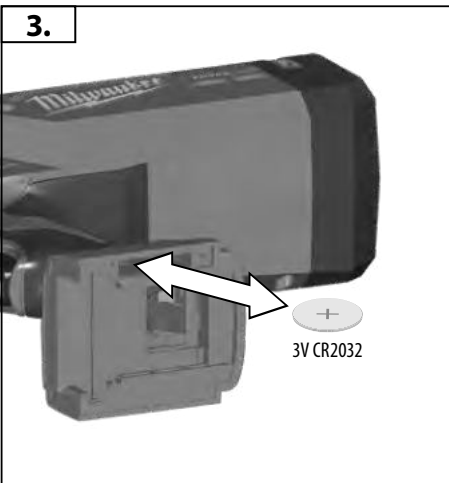
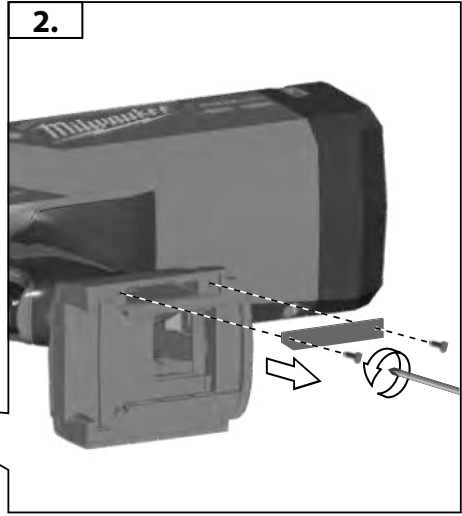


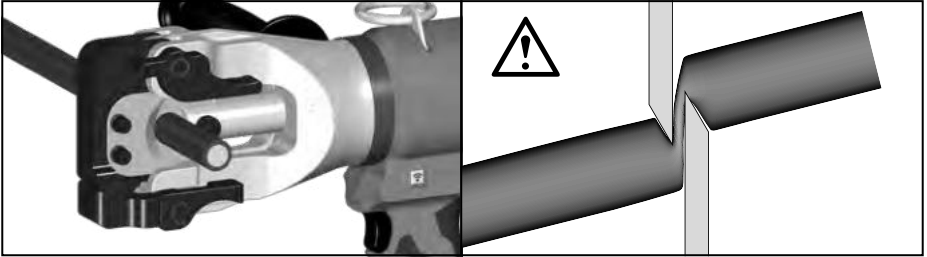
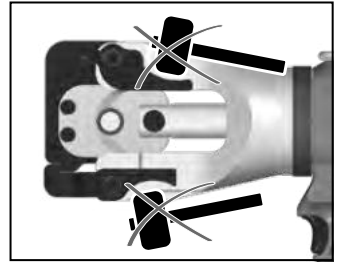
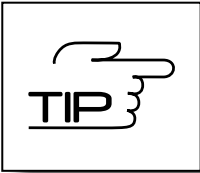
VIII



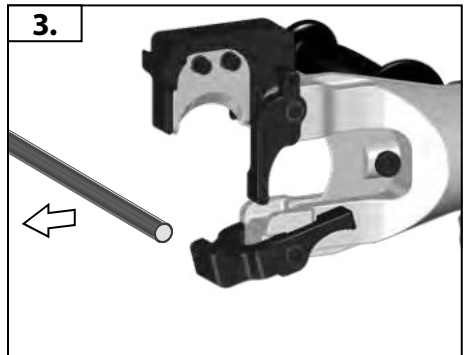
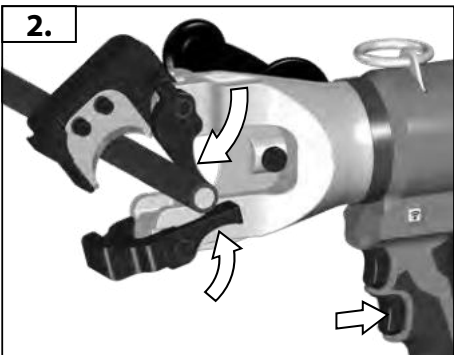


VIII

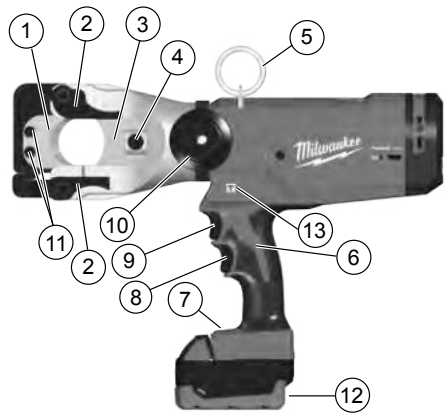




IX



TECHNICAL DATA	M18 HCC45
Cable Cutter	
Production code	4772 37 01... ... 000001-999999
Frequency band	2402-2480 MHz
Radio-frequency power	1,8 dBm
Battery voltage	18 V
Nominal force	77,8 kN
Cutting range Depends on cable type	max. Ø 44 mm
ACSR: Aluminium-/Steel cable Copper / Aluminium	
Weight according EPTA-Procedure 01/2014 (Li-Ion 2,0 Ah...9,0Ah)	6 kg...6,6 kg
Recommended Ambient Operating Temperature	-18°C ... +50°C
Recommended battery types	M18B...
Recommended charger	M12-18...
Noise information	
Measured values determined according to EN 62841. Typically, the A-weighted noise levels of the tool are:	
Sound pressure level (Uncertainty K=3dB(A))	76,9 dB(A)
Sound power level (Uncertainty K=3dB(A))	87,9 dB(A)
Wear ear protectors!	
Vibration information	
Vibration total values (triaxial vector sum) determined according to EN 62841	
Vibration emission value _h	1,2 m/s ²
Uncertainty K=	1,5 m/s ²



Device description

- | | |
|----------------------------|--------------------------|
| ① Front blade | ⑦ LED |
| ② Jaw release levers | ⑧ Release trigger |
| ③ Rear blade | ⑨ Trigger |
| ④ Blade retaining pin | ⑩ Side handle |
| ⑤ Hanger | ⑪ 5 mm hex socket screws |
| ⑥ Handle | ⑫ Battery |
| Insulated gripping surface | ⑬ ONE KEY indicator |

WARNING!

The vibration emission level given in this information sheet has been measured in accordance with a standardised test given in EN 62841 and may be used to compare one tool with another. It may be used for a preliminary assessment of exposure.

The declared vibration emission level represents the main applications of the tool. However if the tool is used for different applications, with different accessories or poorly maintained, the vibration emission may differ. This may significantly increase the exposure level over the total working period.

An estimation of the level of exposure to vibration should also take into account the times when the tool is switched off or when it is running but not actually doing the job. This may significantly reduce the exposure level over the total working period.

Identify additional safety measures to protect the operator from the effects of vibration such as: maintain the tool and the accessories, keep the hands warm, organisation of work patterns.

WARNING Read all safety warnings, instructions, illustrations and specifications provided with this power tool. Failure to follow the warnings and instructions may result in electric shock, fire and/or serious injury.
Save all warnings and instructions for future reference.

⚠️ CABLE CUTTER SAFETY WARNINGS

To reduce the risk of explosions, electric shock and damage to property and equipment, never cut live electrical cables. Tool is NOT insulated.

Keep hands and loose items of clothing away from cutting tools and other moving parts. There is a risk of serious injury, including severing of limbs.

The use of protective clothing is recommended, such as dust mask, protective gloves, sturdy non-slip footwear, helmet and ear defenders.

Use protective equipment. Always wear safety goggles when working with the cable cutter.

Prevent accidental starting of the cable cutter. Before connecting to a removable battery, ensure that the trigger is secured with the switch lock.

Never hold the cable cutter by the cutting jaws.

Before using, always check the cutting jaws for cracks and other signs of wear.

Only use the cable cutter, removable battery and charger if they are in perfect technical condition.

Have damage repaired immediately by an authorised workshop.

Remove the battery pack before starting any work on the appliance.

The cable cutter may only be used with a cutting tool inserted.

Remove any setting tools and wrenches before making the cut.

To avoid injury and damage, never immerse the tool, removable battery or charger in liquid or allow liquid to penetrate them.

Hold the cable cutter by both handles.

Use only System M18 chargers for charging System M18 battery packs. Do not use battery packs from other systems.

Never break open battery packs and chargers and store only in dry rooms. Keep dry at all times.

To reduce the risk of fire, personal injury, and product damage due to a short circuit, never immerse your tool, battery pack or charger in fluid or al-low a fluid to flow inside them. Corrosive or conductive fluids, such as seawater, certain industrial chemicals, and bleach or bleach containing products, etc., Can cause a short circuit.

WARNING



This device contains a button-type/coin cell lithium battery. A new or used battery can cause severe internal burns and lead to death in as little as 2 hours if swallowed or if it enters the body. Always secure the cover on the battery compartment. If it does not close securely, stop the device, remove the battery and keep it out of reach of children. If you believe that someone has swallowed the battery or that it has otherwise entered the body, seek immediate medical attention.

RESIDUAL RISK

Before the cutting process begins, access must be sealed off in accordance with local regulations.

Only ever cut cables that have been disconnected from the power supply!

Cable and cord may not be exposed to any mechanical forces.

Failure to comply with this instruction can lead to serious injury, death, fire and other damage to property as a result of electric shock, explosion and/or electric arcs.

Wear goggles.

SPECIFIED CONDITIONS OF USE

Depending on the type of cable, the cable cutter is suitable for cutting insulated copper or aluminium cables, ACSR cables (aluminium/steel cables) and steel cables that have been disconnected from the power supply.

Only personnel trained in electrotechnical applications may carry out cutting and splitting of cables and cords with the aid of this cable cutter.

The operator of this cable cutter must be instructed in the specific dangers associated with using this cable cutter and in the essential safety measures before working with it for the first time and at least once a year thereafter.

The operating company must:

- make the operating manual available to the operator and
- ensure that the operator has read and understood it.



WARNING Read all safety warnings, instructions, illustrations and specifications provided with this power tool. Failure to follow the warnings and instructions may result in electric shock, fire and/or serious injury.

Save all warnings and instructions for future reference.

USE

Set-up of the working area

Before work begins, the cables or cords must be disconnected and it must be ensured that they remain isolated from the power supply for the duration of the work.

If it cannot be ensured beyond doubt that the cable or insulated line has been disconnected, no work may be carried out.

It is crucial that local safety provisions and the regulations are observed.

Cable and cord may not be exposed to any mechanical forces and must be secured from any uncontrolled movements following the cut.

Do not expose tools to rain. Do not use tools in damp or wet locations.

Preparation of cable cutter and battery

Before every use:

- Inspect cable cutter for external defects
 - Check the cutting tool for cracks and other signs of wear
- Only use in perfect condition!

Before the cutting process begins, the battery capacity must be checked: minimum 33% (see illustrated description).

It may require charging before work commences.

Preparation for the cutting process

Support and fix the cable or rope to be cut to minimise the risk of uncontrolled movement.

Overhead cables and cords, in particular, can move out of control and cause injury and/or damage.

The cutting head must be positioned at an angle of 90° to the cable or cord, so that the cable can lie in the opened cutting jaws without tension and undesirable shearing forces can be avoided.



WARNING: To reduce the risk of explosions, electric shock and damage to property and equipment, never cut live electrical cables.

Tool is NOT insulated. Contact with a live circuit could result in severe injury or death. Turn off power before making a cut. Never cut gas or water lines. Keep hands away from all cutting edges and moving parts. Laceration and amputation can occur.

Always remove battery pack before changing or removing accessories. Only use accessories specifically recommended for this tool. Others may be hazardous.

To reduce the risk of injury, wear safety goggles or glasses with side shields.



WARNING: To reduce the risk of injury, only cut recommended materials for the blades. (see „Specifications“) Do not attempt to cut other materials.

Cutting

- Before cutting, ensure blades are properly installed.

1. Guide the cable at right angles to the cutting of the cable cutter. Do not attempt to make angled cuts as it will damage the workpiece and blades.

2. Grasp handle(s) firmly.

Pull and hold the trigger through the operation.

An LED will light when the trigger is pulled.

Once cutting has been carried out, or the tool is switched off, let the release button go again and activate the reset switch, so that the cutting bars open.

Note: Workpiece may move slightly during the cut.



Action in the event of faults

- The cable can be broached and become live, in which case always inform the safety officer, stop the cutting process, and initiate suitable protective measures
- Always ensure that the device is and will stay disconnected from the power supply before approached and touching the device
- press and hold the reset button until the cutter opens completely
- check the battery capacity
- check the material and material thickness against the technical data
- If it is suspected that a live cable has been cut, the cable-cutter has to be inspected in an authorized specialist workshop

Jammed Blades

Dirt and debris can cause the blades to become jammed together after a cut

- Press and hold the release trigger to ensure the tool has reset.
- Remove the battery pack.
- Follow the picture description to open the cutting bars
- Clean any dirt and debris from the blades before starting another cut.

Cutting Tips

- Do not attempt to make angled cuts as it will damage the workpiece and blades.
- Cut clean material to extend the blade life. Wipe dirt and debris from material and blades before beginning the cut.

MAINTENANCE

Remove the battery pack before starting any work on the appliance.

Never open the cable cutter, removable battery or charger.

Check the cable cutter for any problems such as noise or jamming of moving parts that could be affecting the tool.

Check the cutting tools for cracks and other signs of wear.

On completion of the work, clean and grease the cutting tools.

Check that the cutting edges are sharp and replace worn cutting jaws.

Replace the blades when they become chipped or damaged. Always replace blades as a set. Use only MILWAUKEE blades.

Check that the cutting tools can move freely.

To avoid injury and damage, never immerse the tool, removable battery or charger in liquid or allow liquid to penetrate them.

The ventilation slots of the machine must be kept clear at all times.

The device contains hydraulic fluid. Hydraulic fluids pose a hazard to groundwater. Uncontrolled draining or improper disposal is punishable by law.

The device should be serviced every six to twelve months, depending on usage.

You can find out more about service intervals via the ONE-KEY app.

Service and repair work may only be carried out by authorised specialist workshops.

Use only Milwaukee accessories and Milwaukee spare parts. Should components need to be replaced which have not been described, please contact one of our Milwaukee service agents (see our list of guarantee/service addresses).

If needed, an exploded view of the tool can be ordered. Please state the Article No. as well as the machine type printed on the label and order the drawing at your local service agents or directly at: Techtronic Industries GmbH, Max-Eyth-Str. 10, 71364 Winnenden, Germany.

ONE-KEY™

To learn more about the ONE-KEY functionality of this tool, please refer to the Quick Start guide included with this product or go to <http://www.milwaukee.com/one-key>

To download the ONE-KEY app, visit the App Store or Google Play from your smart device.

When experiences Electrostatic discharge, the Bluetooth communication will be disconnected and App interface exit. And it is no use app in 45 seconds. After 45 s, it needs to reset APP to recover.

We considered the result to be within our minimum acceptable performance level according to EN 301489-1/ EN 301489-17. And we will give the operation guidance to the customer in user manual.

BATTERIES

Temperatures in excess of 50°C (122°F) reduce the performance of the battery pack. Avoid extended exposure to heat or sunshine (risk of overheating).

The contacts of chargers and battery packs must be kept clean.

For an optimum life-time, the battery packs have to be fully charged, after use. Battery packs which have not been used for some time should be recharged before use.

To obtain the longest possible battery life remove the battery pack from the charger once it is fully charged.

For battery pack storage longer than 30 days:, Store the battery pack where the temperature is below 27°C and away from moisture, Store the battery packs in a 30% - 50% charged condition, Every six months of storage, charge the pack as normal.

Do not dispose of used battery packs in the household refuse or by burning them. Milwaukee Distributors offer to retrieve old batteries to protect our environment.

Do not store the battery pack together with metal objects (short circuit risk).

TRANSPORTING LITHIUM BATTERIES

Lithium-ion batteries are subject to the Dangerous Goods Legislation requirements.

Transportation of those batteries has to be done in accordance with local, national and international provisions and regulations.

The user can transport the batteries by road without further requirements.

Commercial transport of Lithium-Ion batteries by third parties is subject to Dangerous Goods regulations. Transport preparation and transport are exclusively to be carried out by appropriately trained persons and the process has to be accompanied by corresponding experts.

When transporting batteries:

Ensure that battery contact terminals are protected and insulated to prevent short circuit. Ensure that battery pack is secured against movement within packaging. Do not transport batteries that are cracked or leak. Check with forwarding company for further advice

EC-DECLARATION OF CONFORMITY

We declare under our sole responsibility that the product described under "Technical Data" fulfills all the relevant provisions of the directives

2011/65/EU RoHS, 2006/42/EC, 2014/53/EU
and the following harmonized standards have been used.

EN 62841-1:2015
EN 62479:2010
EN 55014-1:2017+A11:2020
EN 55014-2:2015
EN 301 489-1 V2.2.3
EN 301 489-17 V3.1.1
EN 300 328 V2.2.2
EN IEC 63000:2018



Winnenden, 2021-04-07

Alexander Krug / Managing Director
Authorized to compile the technical file
Techtronic Industries GmbH
Max-Eyth-Straße 10, 71364 Winnenden, Germany

GB-DECLARATION OF CONFORMITY

We declare as the manufacturer under our sole responsibility that the product described under "Technical Data" fulfills all the listed below relevant regulations and that the following designated standards have been used.

S.I. 2012/3032 (as amended)
S.I. 2008/1597 (as amended)
S.I. 2017/1206 (as amended)

BS EN 62841-1:2015
BS EN 62479:2010
BS EN 55014-1:2017+A11:2020
BS EN 55014-2:2015
EN 301 489-1 V2.2.3
EN 301 489-17 V3.1.1
EN 300 328 V2.2.2
BS EN IEC 63000:2018

Winnenden, 2021-04-07

Alexander Krug / Managing Director
Authorized to compile the technical file
Techtronic Industries GmbH
Max-Eyth-Straße 10, 71364 Winnenden, Germany

SYMBOLS

- Please read the instructions carefully before starting the machine.
- WARNING!**
Risk of injury from ejected fragments
- Always wear goggles when using the machine.
- This device contains a button-type/coin cell lithium battery.
- Danger of electric shock
- CAUTION! WARNING! DANGER!**
- Remove the battery pack before starting any work on the appliance.
- Keep hands away from cutting tools and other moving parts. Fingers may get caught in the cutting mechanism and be amputated or injured.
- Accessory - Not included in standard equipment, available as an accessory.
- Do not dispose electric tools, batteries/rechargeable batteries together with household waste material. Electric tools and batteries that have reached the end of their life must be collected separately and returned to an environmentally compatible recycling facility. Check with your local authority or retailer for recycling advice and collection point.

V Volts

Direct Current

European Conformity Mark

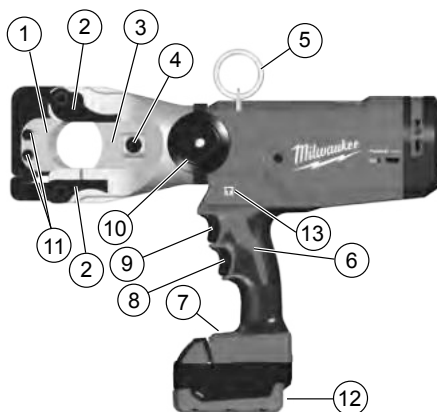
British Conformity Mark

Ukraine Conformity Mark

⁰⁰¹
Eurasian Conformity Mark



TECHNISCHE DATEN	M18 HCC45
Kabelschneider	
Produktionsnummer	4772 37 01... ... 000001-999999
Frequenzband	2402-2480 MHz
Sendeleistung	1,8 dBm
Spannung Wechselakku	18 V
Nennkraft	77,8 kN
Schnittbereich kabeltypabhängig	max. Ø 44 mm
ACSR: Aluminium-/Stahlseile Kupfer / Aluminium	
Gewicht nach EPTA-Prozedur 01/2014 (Li-Ion 2,0 Ah...9,0Ah)	6 kg...6,6 kg
Empfohlene Umgebungstemperatur für den Betrieb	-18°C ... +50°C
Empfohlene Akku Typen	M18B...
Empfohlene Ladegeräte	M12-18...
Geräuschinformation	
Messwerte ermittelt entsprechend EN 62841. Der A-bewertete Geräuschpegel des Gerätes beträgt typischerweise:	
Schalldruckpegel (Unsicherheit K=3dB(A))	76,9 dB(A)
Schalleistungspegel (Unsicherheit K=3dB(A))	87,9 dB(A)
Gehörschutz tragen!	
Vibrationsinformationen	
Schwingungsgesamtwerte (Vektorsumme dreier Richtungen) ermittelt entsprechend EN 62841.	
Schwingungsemissionswert _h	1,2 m/s ²
Unsicherheit K=	1,5 m/s ²



Gerätebeschreibung

- | | |
|--|------------------------------------|
| ① Vordere Klinge | ⑦ LED Leuchte |
| ② Hebel zum Lösen der
Spannbacke | ⑧ Rückstellschalter |
| ③ Hintere Klinge | ⑨ Auslöser |
| ④ Klingsenhaltestift | ⑩ Zusatzhandgriff |
| ⑤ Aufhängebügel | ⑪ 5 mm Innensech-
kantschrauben |
| ⑥ Werkzeughandgriff
Isolierte Grifffläche | ⑫ Akku |
| | ⑬ ONE KEY Anzeige |

WARNUNG!

Der in diesen Anweisungen angegebene Schwingungspegel ist entsprechend einem in EN 62841 genormten Messverfahren gemessen worden und kann für den Vergleich von Elektrowerkzeugen miteinander verwendet werden. Er eignet sich auch für eine vorläufige Einschätzung der Schwingungsbelastung.

Der angegebene Schwingungspegel repräsentiert die hauptsächlichlichen Anwendungen des Elektrowerkzeugs. Wenn allerdings das Elektrowerkzeug für andere Anwendungen, mit abweichenden Einsatzwerkzeugen oder ungenügender Wartung eingesetzt wird, kann der Schwingungspegel abweichen. Dies kann die Schwingungsbelastung über den gesamten Arbeitszeitraum deutlich erhöhen.

Für eine genaue Abschätzung der Schwingungsbelastung sollten auch die Zeiten berücksichtigt werden, in denen das Gerät abgeschaltet ist oder zwar läuft, aber nicht tatsächlich im Einsatz ist. Dies kann die Schwingungsbelastung über den gesamten Arbeitszeitraum deutlich reduzieren.

Legen Sie zusätzliche Sicherheitsmaßnahmen zum Schutz des Bedieners vor der Wirkung von Schwingungen fest wie zum Beispiel: Wartung von Elektrowerkzeug und Einsatzwerkzeugen, Warmhalten der Hände, Organisation der Arbeitsabläufe.

⚠️ WARNUNG Lesen Sie alle Sicherheitshinweise, Anweisungen, Bebilderungen und technischen Daten, mit denen dieses Elektrowerkzeug versehen ist. Versäumnisse bei der Einhaltung der Sicherheitshinweise und Anweisungen können elektrischen Schlag, Brand und/oder schwere Verletzungen verursachen.

Bewahren Sie alle Sicherheitshinweise und Anweisungen für die Zukunft auf.

⚠️ SICHERHEITSHINWEISE FÜR KABELSCHNEIDER

Um das Risiko von Explosionen, elektrischem Schlag, Sach- und Geräteschaden zu reduzieren, niemals stromführende elektrische Leitungen schneiden. Das Werkzeug gilt als NICHT isoliert.

Hände und lockere Kleidung von Schneidwerkzeugen und anderen beweglichen Teilen entfernt halten. Es besteht die Gefahr von schweren Verletzungen oder Abtrennung von Gliedmaßen. Schutzkleidung wie Staubschutzmaske, Schutzhandschuhe, festes und rutschsicheres Schuhwerk, Helm und Gehörschutz werden empfohlen.

Schutzausrüstung verwenden. Beim Arbeiten mit dem Kabelschneider stets Schutzbrille tragen.

Verhindern Sie unbeabsichtigtes Starten des Kabelschneiders. Stellen Sie sicher dass vor dem Anschließen an einen Wechselakku der Auslöser durch die Einschaltsperr gesichert ist.

Halten Sie den Kabelschneider nie an den Schneidbacken.

Vor jedem Gebrauch die Schneidbacken auf Risse und sonstige Verschleißerscheinungen prüfen.

Kabelschneider, Wechselakku und Ladegerät nur in technisch einwandfreiem Zustand verwenden.

Beschädigungen sofort von einer autorisierten Fachwerkstatt reparieren lassen.

Vor allen Arbeiten am Gerät den Wechselakku herausnehmen.

Der Kabelschneider darf nur mit eingesetztem Schneidwerkzeug verwendet werden.

Entfernen Sie verwendete Einstellwerkzeuge oder Schlüssel bevor Sie den Schnitt ausführen.

Um Verletzungen oder Schäden zu vermeiden, tauchen Sie ihr Werkzeug, Wechselakku oder Ladegerät nie in Flüssigkeit oder lassen eine Flüssigkeit in sie fließen.

Halten Sie den Kabelschneider an beiden Handgriffen.

Wechselakku des Systems M18 nur mit Ladegeräten des Systems M18 laden. Keine Akkus aus anderen Systemen laden.

Wechselakku und Ladegeräte nicht öffnen und nur in trockenen Räumen lagern. Vor Nässe schützen.

Um die durch einen Kurzschluss verursachte Gefahr eines Brandes, von Verletzungen oder Produktbeschädigungen zu vermeiden, tauchen Sie das Werkzeug, den Wechselakku oder das Ladegerät nicht in Flüssigkeiten ein und sorgen Sie dafür, dass keine Flüssigkeiten in die Geräte und Akkus eindringen. Korrodierende oder leitfähige Flüssigkeiten, wie Salzwasser, bestimmte Chemikalien und Bleichmittel oder Produkte, die Bleichmittel enthalten, können einen Kurzschluss verursachen.

WARNUNG



Dieses Gerät enthält eine Lithium Knopf-/Münzzellenbatterie. Eine neue oder gebrauchte Batterie kann schwere interne Verbrennungen verursachen und zum Tod in weniger als 2 Stunden führen, wenn sie verschluckt oder in den Körper gelangt. Sichern Sie immer den Batteriefachdeckel. Wenn er nicht sicher schließt, stoppen Sie das Gerät, entfernen Sie die Batterie und halten Sie sie von Kindern fern. Wenn Sie glauben, dass Batterien verschluckt oder in den Körper eingedrungen sind, suchen Sie sofortige ärztliche Hilfe auf.

RESTRIKTIKEN

Vor Beginn der Schneidvorganges muss entsprechend den lokalen Regelungen eine Absperrung gegen Zutritt eingerichtet sein.

Nur spannungsfreie Kabel schneiden!

Kabel und Seile dürfen keinen mechanischen Kräften ausgesetzt sein.

Bei Nichtbeachtung besteht die Gefahr von schweren Verletzungen, Tod, Feuer oder sonstige Sachschäden durch Stromschlag, Explosion und/oder Lichtbogen.

Schutzbrille tragen.

BESTIMMUNGSGEMÄSSE VERWENDUNG

Der Kabelschneider ist geeignet zum Trennen von spannungsfreien Kabeln aus isoliertem Kupfer oder Aluminium, ACSR-Seilen (Aluminium-/Stahl-Seile), Stahlseilen, jeweils kabeltypabhängig.

Das Schneiden bzw. Trennen von Kabeln und Seilen mithilfe dieses Kabelschneiders darf nur durch eine elektrotechnisch unterwiesene Person erfolgen.

Der Bediener dieses Kabelschneiders ist vor der erstmaligen Aufnahme der Tätigkeit und danach, mindestens einmal jährlich, vor den besonderen Gefahren beim Umgang mit diesem Kabelschneider und über die notwendigen Sicherheitsvorkehrungen zu unterweisen.

Der Betreiber muss:

- dem Bediener die Betriebsanleitung zugänglich machen und
- sich vergewissern, dass der Bediener sie gelesen und verstanden hat.



WARNUNG Lesen Sie alle Sicherheitshinweise, Anweisungen, Bebilderungen und technischen Daten, mit denen dieses Elektrowerkzeug versehen ist. Versäumnisse

bei der Einhaltung der Sicherheitshinweise und Anweisungen können elektrischer Schlag, Brand und/oder schwere Verletzungen verursachen.

Bewahren Sie alle Sicherheitshinweise und Anweisungen für die Zukunft auf.

ANWENDUNG

Einrichtung des Arbeitsbereichs

Vor Arbeitsbeginn muss ein spannungsfreier Zustand der Leitungen oder Seile hergestellt und für die Dauer der Arbeiten sichergestellt werden.

Kann das freigeschaltete Kabel oder die freigeschaltete isolierte Leitung nicht eindeutig festgestellt werden, dürfen keine Arbeiten durchgeführt werden.

Auf lokale Sicherheitsvorschriften und Regelungen ist unbedingt zu achten.

Kabel und Seile dürfen keinen mechanischen Kräften ausgesetzt sein und müssen gegebenenfalls gegen unkontrollierte Bewegungen nach dem Schnitt gesichert werden.

Setzen Sie das Gerät nicht dem Regen aus und benutzen Sie es nicht in nasser oder feuchter Umgebung.

Vorbereiten von Kabelschneider und Akku

Vor jedem Gebrauch:

- Kabelschneider auf äußere Mängel untersuchen
- Schneidwerkzeuge auf Risse und sonstige Verschleißerscheinungen prüfen

Nur in einwandfreiem Zustand verwenden!

Vor Beginn des Schneidvorganges muss die Akku-Kapazität überprüft werden: mindestens 33% (siehe Bildbeschreibung).

Eventuell muss dieser vor Arbeitsbeginn geladen werden.

Vorbereitung Schneidvorgang

Stützen und fixieren Sie das zu schneidende Kabel oder Seil, um das Risiko einer unkontrollierten Bewegung zu minimieren.

Insbesondere können Freileitungen und Seile unkontrolliert in Bewegung geraten und Verletzungen und / oder Beschädigungen verursachen.

Der Schneidkopf muss in einem Winkel von 90° zum Kabel oder Seil angelegt sein so dass dieses ohne Spannungen in den geöffneten Schneidbacken zum liegen kommt und ungünstige Scherkräfte vermieden werden.



WARNUNG: Um das Risiko von Explosionen, elektrischem Schlag, Sach- und Geräteschaden zu reduzieren, niemals stromführende elektrische Leitungen schneiden. Das Werkzeug gilt als NICHT isoliert. Der Kontakt mit einem spannungsführenden Stromkreis kann schwerwiegende Verletzungen bis hin zum Tod verursachen. Unterbrechen Sie stets die Stromzufuhr, bevor Sie einen Schnitt tätigen. Schneiden Sie nie in Gas- oder Wasserleitungen. Halten Sie Ihre Hände von den Schneidwerkzeugen und anderen beweglichen Teilen fern. Es besteht die Gefahr schwerer Verletzungen oder der Abtrennung von Gliedmaßen. Entfernen Sie stets den Wechselakku, bevor Sie Zubehörteile auswechseln oder entfernen. Verwenden Sie ausschließlich das speziell für dieses Werkzeug empfohlene Zubehör. Die Benutzung von anderem Zubehör ist gefährlich.



Um das Risiko von Verletzungen zu verringern, sollten Sie stets eine Schutzbrille oder eine Brille mit Seitenschutz tragen.

⚠️ WARNUNG: Um Verletzungsrisiken zu vermindern, sollten nur Materialien geschnitten werden, die für die Schneidklingen geeignet sind. (siehe „Technische Daten“) Versuchen Sie keine anderen Materialien zu schneiden.

Schneidvorgang

- Vergewissern Sie sich vor dem Schneiden, dass die Klingen ordnungsgemäß montiert sind.
 - 1. Führen Sie das Kabel rechtwinklig an die Schneiden des Kabelschneiders. Versuchen Sie keine schrägen Schnitte, da diese das Werkzeug und die Klingen beschädigen würden.
 - 2. Halten Sie das Werkzeug während des Handbetriebs an beiden Griffen fest.
Drücken den Auslöser und halten Sie ihn gedrückt. Es schaltet sich eine LED-Leuchtanzeige ein, sobald der Auslöser gedrückt wird.
Wenn der Schnitt durchgeführt ist oder das Werkzeug abschaltet, lassen Sie den Auslöser wieder los und betätigen Sie den Rückstellschalter, damit sich die Schneidbacken öffnen.
- Hinweis: Es ist möglich, dass sich das Kabel während des Schneidens leicht bewegt.

Verhalten bei Störungen

- das Kabel kann angeschnitten und spannungsführend sein, immer den Sicherheitsbeauftragten informieren, den Schneidvorgang abbrechen, geeignete Sicherungsmaßnahmen einleiten
- stellen Sie vor Annäherung und Berührung des Kabelschneiders immer sicher dass das Gerät spannungsfrei ist und bleibt
- Rückstellschalter gedrückt halten bis zum vollständigen Öffnen der Schneiden
- prüfen der Akku-Kapazität
- prüfen des Materials und der Materialstärke an Hand der technischen Daten
- Bei Verdacht des Schneidens eines spannungsführenden Kabels muss der Kabelschneider in einer autorisierten Fachwerkstatt überprüft werden

Verklebte Schneiden

Schmutz und Anhaftungen können dazu führen, dass sich die Schneiden nach dem Schnitt verkleben.

- Halten Sie den Rückstellschalter gedrückt um sicherzustellen, dass das Gerät druckentlastet ist
- Entfernen Sie den Wechselakku
- Folgen Sie der Bildbeschreibung zum Öffnen der Schneidbacken
- Reinigen Sie die Schneidbacken von Schmutz und Anhaftungen bevor Sie einen weiteren Schnitt ausführen

Tips zum Schneiden von Kabeln

- Versuchen Sie keine schrägen Schnitte, da diese das Werkzeug und die Klingen beschädigen würden.
- Schneiden Sie nur saubere Kabel um die Lebensdauer der Klingen zu verlängern. Wischen Sie Schmutz und Anhaftungen von Kabel und Klingen vor dem Schneidvorgang

WARTUNG

Vor allen Arbeiten am Gerät den Wechselakku herausnehmen.

Öffnen Sie nie den Kabelschneider, den Wechselakku oder das Ladegerät.

Überprüfen Sie den Kabelschneider auf etwaige Probleme wie Geräusch oder Festsitzen von beweglichen Teilen die das Werkzeug beeinträchtigen können.

Schneidwerkzeuge auf Risse und sonstige Verschleißerscheinungen prüfen.

Nach Beendigung der Arbeiten Schneidwerkzeuge reinigen und fetten.

Auf scharfe Schneidbacken achten bzw. abgenutzte Schneidbacken durch neue ersetzen.

Tauschen Sie die Klingen aus, wenn diese brüchig werden oder Beschädigungen aufweisen. Tauschen Sie die Klingen immer paarweise aus. Verwenden Sie ausschließlich MILWAUKEE-Klingen.

Leichtgängigkeit der Schneidwerkzeuge überprüfen.

Um Verletzungen oder Schäden zu vermeiden, tauchen Sie ihr Werkzeug, Wechselakku oder Ladegerät nie in Flüssigkeit oder lassen eine Flüssigkeit in sie fließen.

Stets die Lüftungsschlitze der Maschine sauber halten.

Das Gerät enthält Hydrauliköl, welches eine Gefahr für das Grundwasser darstellt. Unkontrolliertes Ablassen oder unsachgemäße Entsorgung steht unter Strafe.

Die Wartung des Gerätes soll alle sechs Monate, bis zu maximal einem Jahr erfolgen, je nach Nutzung.

Weiteres zu Wartungsintervallen finden Sie über die ONE-KEY App.

Wartungs- und Reparaturarbeiten dürfen nur durch autorisierte Fachwerkstätten ausgeführt werden.

Nur Milwaukee Zubehör und Milwaukee Ersatzteile verwenden. Bauteile, deren Austausch nicht beschrieben wurde, bei einer Milwaukee Kundendienststelle auswechseln lassen (Broschüre Garantie/Kundendienstadressen beachten).

Bei Bedarf kann eine Explosionszeichnung des Gerätes unter Angabe der Maschinen Type und der sechsstelligen Nummer auf dem Leistungsschild bei Ihrer Kundendienststelle oder direkt bei Techtronic Industries GmbH, Max-Eyth-Straße 10, 71364 Winnenden, Germany angefordert werden.

ONE-KEY™

Um mehr über die ONE-KEY Funktionalität dieses Werkzeugs zu erfahren, lesen Sie die beiliegende Schnellstartanleitung oder besuchen Sie uns im Internet unter <http://www.milwaukeeetool.com/one-key>

Sie können die ONE-KEY App über den App Store oder Google Play auf Ihr Smartphone herunterladen.

Beim Auftreten von elektrostatischer Entladung werden die Bluetooth-Verbindung sowie die Verbindung zur App-Benutzeroberfläche getrennt. Die App kann 45 Sekunden lang nicht verwendet werden. Nach 45 Sekunden muss die App zum Neustarten zurückgesetzt werden. In unserem Ermessen liegt das Ergebnis gemäß EN 301489-1/ EN 301489-17 im Rahmen der akzeptablen Mindestleistung. Wir händigen dem Benutzer die Betriebsanweisungen in Form der Bedienungsanleitung aus.

AKKUS

Eine Temperatur über 50°C vermindert die Leistung des Wechselakkus. Längere Erwärmung durch Sonne oder Heizung vermeiden.

Die Anschlusskontakte an Ladegerät und Wechselakku sauber halten.

Für eine optimale Lebensdauer müssen nach dem Gebrauch die Akkus voll geladen werden. Längere Zeit nicht benutzte Wechselakkus vor Gebrauch nachladen.

Für eine möglichst lange Lebensdauer sollten die Akkus nach dem Aufladen aus dem Ladegerät entfernt werden.

Bei Lagerung des Akkus länger als 30 Tage; Akku bei ca. 27°C und trocken lagern., Akku bei ca. 30%-50% des Ladezustandes lagern., Akku alle 6 Monate erneut aufladen.

Verbrauchte Wechselakkus nicht ins Feuer oder in den Hausmüll werfen. Milwauke bietet eine umweltgerechte Alt-Wechselakku-Entsorgung an; bitte fragen Sie Ihren Fachhändler.

Wechselakkus nicht zusammen mit Metallgegenständen aufbewahren (Kurzschlussgefahr).

TRANSPORT VON LITHIUM-IONEN-AKKUS

Lithium-Ionen-Akkus fallen unter die gesetzlichen Bestimmungen zum Gefahrguttransport.

Der Transport dieser Akkus muss unter Einhaltung der lokalen, nationalen und internationalen Vorschriften und Bestimmungen erfolgen.

Verbraucher dürfen diese Akkus ohne Weiteres auf der Straße transportieren.

Der kommerzielle Transport von Lithium-Ionen-Akkus durch Speditionsunternehmen unterliegt den Bestimmungen des Gefahrguttransports. Die Versandvorbereitungen und der Transport dürfen ausschließlich von entsprechend geschulten Personen durchgeführt werden. Der gesamte Prozess muss fachmännisch begleitet werden.

Folgende Punkte sind beim Transport von Akkus zu beachten:

Stellen Sie sicher, dass die Kontakte geschützt und isoliert sind, um Kurzschlüsse zu vermeiden. Achten Sie darauf, dass der Akkupack innerhalb der Verpackung nicht verrutschen kann. Beschädigte oder auslaufende Akkus dürfen nicht transportiert werden. Wenden Sie sich für weitere Hinweise an Ihr Speditionsunternehmen.

CE-KONFORMITÄTSERKLÄRUNG

Wir erklären in alleiniger Verantwortung, dass das unter „Technische Daten“ beschriebene Produkt mit allen relevanten Vorschriften der Richtlinien

2011/65/EU RoHS, 2006/42/EG, 2014/53/EU

und den folgenden harmonisierten normativen Dokumenten übereinstimmt

EN 62841-1:2015

EN 62479:2010

EN 55014-1:2017+A11:2020

EN 55014-2:2015

EN 301 489-1 V2.2.3

EN 301 489-17 V3.1.1

EN 300 328 V2.2.2

EN IEC 63000:2018



Winnenden, 2021-04-07

Alexander Krug / Managing Director
Bevollmächtigt die technischen Unterlagen zusammenzustellen.
Techtronic Industries GmbH
Max-Eyth-Straße 10, 71364 Winnenden, Germany

SYMBOLE



Bitte lesen Sie die Gebrauchsanweisung vor Inbetriebnahme sorgfältig durch.



WARNUNG!
Verletzungsgefahr durch wegfliegende Bruchstücke



Beim Arbeiten mit der Maschine stets Schutzbrille tragen.



Dieses Gerät enthält eine Lithium Knopf-/Münzzellen-batterie.



Gefahr eines elektrischen Schlags



ACHTUNG! WARNUNG! GEFAHR!



Vor allen Arbeiten am Gerät den Wechselakku herausnehmen.



Hände vom Schneidwerkzeug und anderen beweglichen Teilen entfernt halten. Finger können in den Schneidmechanismus geraten und abgetrennt oder verletzt werden.



Zubehör - Im Lieferumfang nicht enthalten, empfohlene Ergänzung aus dem Zubehörprogramm.



Elektrogeräte, Batterien/Akkus dürfen nicht zusammen mit dem Hausmüll entsorgt werden. Elektrische Geräte und Akkus sind getrennt zu sammeln und zur umweltgerechten Entsorgung bei einem Verwertungsbetrieb abzugeben. Erkundigen Sie sich bei den örtlichen Behörden oder bei Ihrem Fachhändler nach Recyclinghöfen und Sammelstellen.



Spannung



Gleichstrom



Europäisches Konformitätszeichen



Britisches Konformitätszeichen



Ukrainisches Konformitätszeichen

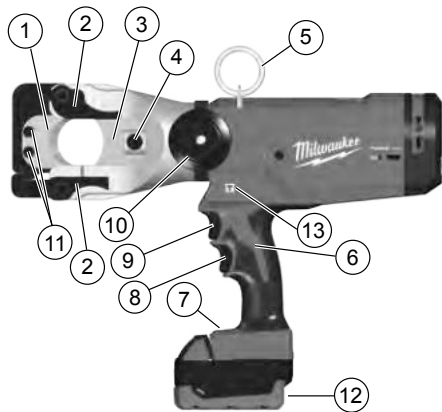


Euroasiatisches Konformitätszeichen



D

CARACTÉRISTIQUES TECHNIQUES	M18 HCC45
Coupe-câbles	
Numéro de série	4772 37 01... ... 000001-999999
Bande de fréquence	2402-2480 MHz
Puissance de radiofréquence	1,8 dBm
Tension accu interchangeable	18 V
Force nominale	77,8 kN
Zone de coupe Dépend du type de câble	max. Ø 44 mm
ACSR: Aluminium-/Câbles en acier Cuivre / Aluminium	
Poids suivant EPTA-Procédure 01/2014 (Li-Ion 2,0 Ah...9,0Ah)	6 kg...6,6 kg
Température ambiante conseillée pour le fonctionnement	-18°C ... +50°C
Batteries conseillées	M18B...
Chargeurs conseillés	M12-18...
Informations sur le bruit	
Valeurs de mesure obtenues conformément à la EN 62841. Les mesures réelles (des niveaux acoustiques de l'appareil sont :	
Niveau de pression acoustique (Incertitude K=3dB(A))	76,9 dB(A)
Niveau d'intensité acoustique (Incertitude K=3dB(A))	87,9 dB(A)
Toujours porter une protection acoustique!	
Informations sur les vibrations	
Valeurs totales des vibrations (somme vectorielle de trois sens) établies conformément à EN 62841.	
Valeur d'émission vibratoire _h	1,2 m/s ²
Incertitude K=	1,5 m/s ²



Description du dispositif

- | | | | |
|---|---------------------------------------|---|---------------------------|
| ① | Lame avant | ⑦ | LED |
| ② | Leviers de relâchement de la mâchoire | ⑧ | Déclencheur de réarmement |
| ③ | Lame arrière | ⑨ | Déclencheur |
| ④ | Broche de retenue des lames | ⑩ | Poignée supplémentaire |
| ⑤ | Crochet | ⑪ | 5 mm Vis à six pans creux |
| ⑥ | Poignée Surface de prise isolée | ⑫ | Batterie |
| | | ⑬ | Voyant CLÉ |

⚠ AVERTISSEMENT Lisez toutes les consignes de sécurité, instructions, présentations et données que vous recevez avec l'appareil. Le non-respect des avertissements et instructions indiqués ci après peut entraîner un choc électrique, un incendie et/ou de graves blessures sur les personnes.
Bien garder tous les avertissements et instructions.

⚠ CONSIGNES DE SÉCURITÉ POUR LES COUPE-CÂBLES

Pour réduire le risque d'explosions, d'électrocution et de dommages au niveau du matériel et de l'équipement, ne jamais sectionner de câbles électriques sous tension. L'outil n'est PAS isolé. Tenir les mains et les vêtements amples à distance des outils de coupe et autres pièces mobiles. Risque de blessure grave, y compris le sectionnement de membres.

Il est recommandé de porter des articles de protection, tels que masque antipoussière, gants de protection, chaussures tenant bien aux pieds et antidérapantes, casque et protection acoustique.

Utiliser l'équipement de protection. Toujours porter des lunettes de sécurité lors du travail avec le coupe-câble.

Éviter le démarrage accidentel du coupe-câble. Avant de le raccorder à une batterie amovible, s'assurer que le déclencheur est verrouillé avec le commutateur de verrouillage.

Ne jamais tenir le coupe-câble au niveau des mâchoires de coupe.

Avant l'usage, toujours vérifier que les mâchoires de coupe ne présentent pas de fissures ou d'autres signes d'usure.

Uniquement utiliser le coupe-câble, la batterie amovible et le chargeur s'ils sont en parfait état technique.

Faire immédiatement réparer d'éventuels dommages chez une usine autorisée.

Avant tous travaux sur l'appareil retirer l'accu interchangeable.

AVERTISSEMENT!

Le niveau vibratoire indiqué dans ces instructions a été mesuré selon un procédé de mesure normalisé dans la norme EN 62841 et peut être utilisé pour comparer des outils électriques entre eux. Il convient aussi à une estimation provisoire de la sollicitation par les vibrations.

Le niveau vibratoire indiqué représente les applications principales de l'outil électrique. Toutefois, si l'outil électrique est utilisé pour d'autres applications, avec des outils rapportés qui diffèrent ou une maintenance insuffisante, il se peut que le niveau vibratoire diverge. Cela peut augmenter nettement la sollicitation par les vibrations sur tout l'intervalle de temps du travail.

Pour une estimation précise de la sollicitation par les vibrations, on devrait également tenir compte des temps pendant lesquels l'appareil n'est pas en marche ou tourne sans être réellement en service. Cela peut réduire nettement la sollicitation par les vibrations sur tout l'intervalle de temps du travail.

Définissez des mesures de sécurité supplémentaires pour protéger l'utilisateur contre l'influence des vibrations, comme par exemple : la maintenance de l'outil électrique et des outils rapportés, le maintien au chaud des mains, l'organisation des déroulements de travail.

Le coupe-câble peut uniquement être utilisé avec un outil de coupe inséré.

Retirer les outils de réglage et clés avant de procéder à la coupe.

Pour éviter des blessures et des dommages, ne jamais immerger l'outil, la batterie amovible ou le chargeur dans un liquide ou permettre à du liquide d'y pénétrer.

Tenir le coupe-câble par les deux poignées.

Ne charger les accus interchangeables du système M18 qu'avec le chargeur d'accus du système M18. Ne pas charger des accus d'autres systèmes.

Ne pas ouvrir les accus interchangeables et les chargeurs et ne les stocker que dans des locaux secs. Les protéger contre l'humidité.

Pour réduire le risque d'incendie, de blessures corporelles et de dommages cau-sés par un court-circuit, ne jamais immerger l'outil, le bloc-piles ou le chargeur dans un liquide ou laisser couler un fluide à l'intérieur de celui-ci. Les fluides corrosifs ou conducteurs, tels que l'eau de mer, certains produits chim-iques industriels, les produits de blanchiment ou de blanchi-ment, etc., Peuvent provoquer un court-circuit.

AVERTISSEMENT



Cet appareil contient une pile bouton lithium / batterie au lithium. Une batterie neuve ou usagée peut causer de graves brûlures internes et entraîner la mort en moins de 2 heures en cas d'ingestion ou si elle pénètre dans le corps. Fixez toujours le couvercle sur le compartiment de la batterie. S'il ne se ferme pas hermétiquement, arrêtez l'appareil, retirez la batterie et gardez-la hors de la portée des enfants. Si vous pensez que quelqu'un a ingéré la batterie ou que la batterie a pénétré dans le corps, consultez immédiatement un médecin.

RISQUES RÉSIDUELS

Avant que le processus de coupe ne commence, l'accès doit être bloqué conformément aux réglementations locales.

À tout moment, ne couper que des câbles qui ne sont plus sous tension!

Les câbles ne doivent pas être exposés à des forces mécaniques.

Le non-respect de cette instruction peut entraîner des blessures graves, la mort, un incendie et d'autres dommages matériels résultant d'une électrocution, d'une explosion et/ou d'arcs électriques. Porter des lunettes de protection.

UTILISATION CONFORME AUX PRESCRIPTIONS

Le coupe-câble permet de découper des câbles hors tension en cuivre ou aluminium isolé, des câbles en ACSR (câbles aluminium/acier), des câbles en acier, selon le type de câble.

Seule une personne ayant reçu des instructions dans le domaine de l'électrotechnique a le droit de couper ou sectionner des câbles.

L'opérateur de ce coupe-câble doit avoir reçu des instructions concernant les dangers spécifiques associés à son utilisation et des mesures de sécurité essentielles avant de travailler avec pour la première fois et au moins une fois par an par la suite.

La société d'exploitation doit :

- mettre la notice technique à la disposition de l'opérateur et
- s'assurer que l'opérateur l'a lue et comprise.



AVERTISSEMENT Lisez toutes les consignes de sécurité, instructions, présentations et données que vous recevez avec l'appareil. Le non-respect des avertissements et instructions indiqués ci après peut entraîner un choc électrique, un incendie et/ou de graves blessures sur les personnes.

Bien garder tous les avertissements et instructions.

UTILISATION

Configuration de la zone de travail

Avant le début du travail, mettre les conduites ou câbles hors tension ; cet état doit être maintenu tout au long des travaux.

S'il n'est pas possible d'assurer indubitablement que le câble ou la ligne isolée n'est plus sous tension, tout travail est interdit.

Il faut impérativement tenir compte des consignes de sécurité et réglementations locales.

Les câbles ne doivent pas être exposés à des forces mécaniques et doivent, le cas échéant, être protégés contre les mouvements incontrôlés après la coupe.

N'exposez pas l'appareil à la pluie et ne l'utilisez pas dans un environnement mouillé ou humide.

Préparation du coupe-câble et de la batterie

Avant toute utilisation :

- Inspecter le coupe-câble pour constater d'éventuels défauts externes
- Vérifier que l'outil de coupe ne présente pas de fissures ou d'autres signes d'usure

Uniquement utiliser en parfait état !

Avant que le processus de coupe ne commence, la capacité de la batterie doit être vérifiée : minimum 33 % (voir description illustrée).

Elle peut devoir être chargée avant que le travail ne commence.

Préparation du processus de coupe

Soutenez et fixez le câble à couper afin de minimiser le risque de mouvement incontrôlé.

En particulier, les lignes aériennes et les câbles peuvent se mettre en mouvement de façon incontrôlée et provoquer des blessures et / ou des dégradations.

La tête de coupe doit être placée de sorte à former un angle de 90° avec le câble, pour qu'elle se place sans contrainte dans les mâchoires de coupe ouvertes et que les forces de cisaillement défavorables soient évitées.



AVERTISSEMENT: Pour réduire le risque d'explosions, d'électrocution et de dommages au niveau du matériel et de l'équipement, ne jamais sectionner de câbles électriques sous tension.

L'outil n'est PAS isolé. Un contact avec un circuit sous tension pourrait entraîner des blessures graves ou la mort. Couper le courant avant d'effectuer une coupe. Ne jamais sectionner de conduites de gaz ou de canalisations d'eau. Tenir les mains à distance de toutes les arêtes vives et pièces en déplacement. Risque de lacération et d'amputation.

Toujours retirer le bloc-batterie avant de modifier ou retirer des accessoires. Utiliser uniquement des accessoires spécifiquement recommandés pour cet outil. D'autres accessoires pourraient être dangereux.

Pour réduire le risque de blessure, porter des lunettes de sécurité ou des lunettes dotées d'écrans latéraux.



AVERTISSEMENT: Pour réduire le risque de blessures, uniquement couper des matériaux recommandés pour les lames. (cf. « Spécifications ») Ne pas essayer de couper d'autres matériaux.



Coupe

• Avant de couper, s'assurer que les lames sont correctement installées.

1. Placez le câble à angle droit au niveau des tranchants du coupe-câble. Ne pas essayer de réaliser des coupes en angles, ce qui risque d'endommager la pièce à usiner et les lames.

2. Saisir la (les) poignée(s) fermement.

Tirer et maintenir le déclencheur tout au long de l'opération.

Une LED s'allume lorsque le déclencheur est tiré.

Lorsque la coupe est effectuée ou que l'outil s'arrête, relâchez le déclencheur et actionnez le bouton de réinitialisation afin que les mâchoires de coupe s'ouvrent.

Remarque: La pièce à usiner peut se déplacer légèrement durant la coupe.

Action en cas de défauts

- Le câble peut être entaillé et sous tension, toujours informer le préposé à la sécurité, annuler le processus de coupe, prendre des mesures de sécurité appropriées
- Assurez-vous toujours que le dispositif est et restera déconnecté du secteur avant d'approcher et de toucher le dispositif.
- Appuyer sur le bouton de réinitialisation et le maintenir enclenché jusqu'à ce que le coupe-câble s'ouvre complètement.
- Contrôler la capacité de la batterie
- Contrôler le matériau et l'épaisseur du matériau par rapport aux caractéristiques techniques
- Si vous soupçonnez qu'un câble sous tension a été coupé, le coupe-câble doit être inspecté dans un atelier spécialisé agréé

Lames bloquées

La saleté et les débris peuvent entraîner un blocage des lames les unes avec les autres après une coupe

- Appuyer sur le déclencheur de réarmement et le maintenir enclenché pour s'assurer que l'outil s'est réinitialisé.
- Retirer le bloc-batterie.
- Suivez la description de l'illustration pour ouvrir les mâchoires de coupe
- Nettoyer la saleté et les débris des lames avant de démarrer une autre coupe.

Conseils de coupe

- Ne pas essayer de réaliser des coupes en angles, ce qui risque d'endommager la pièce à usiner et les lames.
- Couper du matériau propre pour prolonger la durée de vie de la lame. Essuyer la saleté et les débris du matériau et des lames avant de commencer la coupe.

ENTRETIEN

Avant tous travaux sur l'appareil retirer l'accu interchangeable.

Ne jamais ouvrir le coupe-câble, la batterie amovible ou le chargeur.

Vérifier que le coupe-câble ne présente pas de problèmes tels que le bruit ou le blocage de pièces en mouvement qui pourrait affecter l'outil.

Vérifier que les outils de coupe ne présentent pas de fissures ou d'autres signes d'usure.

Une fois le travail terminé, nettoyer et lubrifier les outils de coupe.

Vérifier que les arêtes de coupe sont tranchantes et remplacer les mâchoires de coupe usées.

Remplacer les lames lorsqu'elles commencent à être ébréchées ou endommagées. Toujours remplacer l'ensemble des lames. Utiliser uniquement des lames MILWAUKEE.

Vérifier que les outils de coupe peuvent se déplacer librement.

Pour éviter des blessures et des dommages, ne jamais immerger l'outil, la batterie amovible ou le chargeur dans un liquide ou permettre à du liquide d'y pénétrer.

Tenir toujours propres les orifices de ventilation de la machine.

L'appareil contient de l'huile hydraulique qui représente un danger pour les couches acquifères. La vidange incontrôlée ou la décharge non correcte sont punissables.

Le dispositif doit subir une maintenance tous les six à douze mois, en fonction de son utilisation.

Pour en savoir davantage sur les intervalles de maintenance, consulter l'appli ONE-KEY.

Les interventions d'entretien et de réparation devront être effectuées exclusivement par des usines spécialisées et autorisées.

Utiliser uniquement les accessoires Milwaukee et les pièces détachées Milwaukee. Faire remplacer les composants dont le remplacement n'a pas été décrit, par un des centres de service après-vente Milwaukee (observer la brochure avec les adresses de garantie et de service après-vente).

Si besoin est, une vue éclatée de l'appareil peut être fournie. S'adresser, en indiquant bien le numéro porté sur la plaque signalétique, à votre station de service après-vente (voir liste jointe) ou directement à Techtronic Industries GmbH, Max-Eyth-Strasse 10, 71364 Winnenden, Germany.

ONE-KEY™

Pour en savoir plus sur la fonctionnalité ONE-KEY de cet outil, lisez les instructions rapides ci-jointes ou rendez-nous visite sur Internet sur <http://www.milwaukeetool.com/one-key>.

Vous pouvez télécharger l'appli ONE-KEY sur votre smartphone via l'App Store ou Google Play.

En cas de décharge électrostatique, la communication Bluetooth est déconnectée et l'interface de l'application se ferme. L'application ne peut alors pas être utilisée pendant 45 secondes. Au bout de 45 s, il faut réinitialiser l'application pour la redémarrer. » Nous avons considéré que le résultat correspond à notre niveau de performance acceptable minimum en matière de corrosion conformément aux normes EN 301489-1/EN 301489-17. De plus, nous donnerons le guide de fonctionnement au client dans le manuel de l'utilisateur.

ACCUS

Une température supérieure à 50°C amoindrit la capacité des accus. Éviter les expositions prolongées au soleil ou au chauffage.

Tenir propres les contacts des accus et des chargeurs.

Pour une durée de vie optimale, les accus doivent être chargés à fond après l'utilisation. Recharger les accus avant utilisation après une longue période de non utilisation.

Pour une plus longue durée de vie, enlever les batteries du chargeur de batterie quand celles-ci seront chargées.

En cas d'entreposage de la batterie pour plus de 30 jours: Entreposer la batterie à 27°C environ dans un endroit sec., Entreposer la batterie avec une charge d'environ 30% - 50%, Recharger la batterie tous les 6 mois.

Ne pas jeter les accus interchangeables usés au feu ou avec les déchets ménagers. Milwaukee offre un système d'évacuation écologique des accus usés.

Ne pas conserver les accus interchangeables avec des objets métalliques (risque de court-circuit)



TRANSPORT DE BATTERIES LITHIUM-ION

Les batteries lithium-ion sont soumises aux dispositions législatives concernant le transport de produits dangereux.

Le transport de ces batteries devra s'effectuer dans le respect des dispositions et des normes locales, nationales et internationales.

Les utilisateurs peuvent transporter ces batteries sans restrictions.

Le transport commercial de batteries lithium-ion est réglé par les dispositions concernant le transport de produits dangereux. La préparation au transport et le transport devront être effectués uniquement par du personnel formé de façon adéquate. Tout le procédé devra être géré d'une manière professionnelle.

Durant le transport de batteries il faut respecter les consignes suivantes :

S'assurer que les contacts soient protégés et isolés en vue d'éviter des courts-circuits. S'assurer que le groupe de batteries ne puisse pas se déplacer à l'intérieur de son emballage. Des batteries endommagées ou des batteries perdant du liquide ne devront pas être transportées. Pour tout renseignement complémentaire veuillez vous adresser à votre transporteur professionnel.

DÉCLARATION CE DE CONFORMITÉ

Nous déclarons, sous notre responsabilité exclusive, que le produit décrit ici dans les « Caractéristiques techniques » satisfait à toutes les dispositions pertinentes des directives

2011/65/UE RoHS, 2006/42/CE, 2014/53/UE

et que les normes harmonisées suivantes ont été appliquées.

EN 62841-1:2015

EN 62479:2010

EN 55014-1:2017+A11:2020

EN 55014-2:2015

EN 301 489-1 V2.2.3

EN 301 489-17 V3.1.1

EN 300 328 V2.2.2

EN IEC 63000:2018



Winnenden, 2021-04-07

Alexander Krug / Managing Director

Autorisé à compiler la documentation technique.

Techtronic Industries GmbH

Max-Eyth-Strasse 10, 71364 Winnenden, Germany

SYMBÔLES



Veillez lire avec soin le mode d'emploi avant la mise en service



AVERTISSEMENT!
Risque de blessures dû à la projection de fragments



Toujours porter des lunettes protectrices en travaillant avec la machine.



Cet appareil contient une pile bouton lithium / batterie au lithium.



Risque d'électrocution



ATTENTION! AVERTISSEMENT! DANGER!



Avant tous travaux sur l'appareil retirer l'accu interchangeable.



Tenir les mains à distance de l'outil de coupe et autres pièces mobiles. Les doigts peuvent pénétrer dans le mécanisme de coupe et être sectionnés ou blessés.



Accessoires - Ces pièces ne font pas partie de la livraison. Il s'agit là de compléments recommandés pour votre machine et énumérés dans le catalogue des accessoires.



Les dispositifs électriques, les batteries et les batteries rechargeables ne sont pas à éliminer dans les déchets ménagers. Les dispositifs électriques et les batteries sont à collecter séparément et à remettre à un centre de recyclage en vue de leur élimination dans le respect de l'environnement. S'adresser aux autorités locales ou au détaillant spécialisé en vue de connaître l'emplacement des centres de recyclage et des points de collecte.

V

Tension



Courant continu



Marque de conformité européenne



Marque de conformité britannique



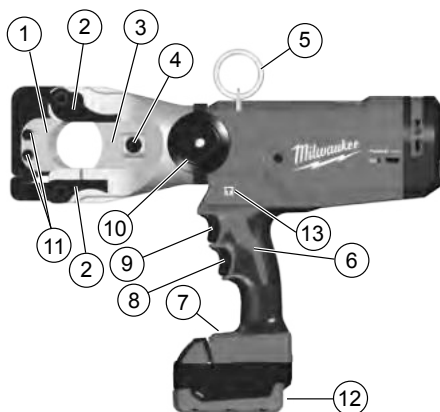
Marque de conformité ukrainienne



Marque de conformité d'Eurasie



DATI TECNICI	M18 HCC45
Tagliacavi	
Numero di serie	4587 00 02... ... 000001-999999
Banda di frequenza	2402-2480 MHz
Potenza a radiofrequenza	1,8 dBm
Tensione batteria	18 V
Forza nominale	77,8 kN
Area di taglio A seconda del tipo di cavo	max. Ø 44 mm
ACSR: Alluminio-/Funi in acciaio Rame / Alluminio	
Peso secondo la procedura EPTA 01/2014 (Li-Ion 2,0 Ah...9,0Ah)	6 kg...6,6 kg
Temperatura ambiente consigliata per il funzionamento	-18°C ... +50°C
Batterie consigliate	M18B...
Caricatori consigliati	M12-18...
Informazioni sulla rumorosità	
Valori misurati conformemente alla norma EN 62841. La misurazione A del livello di pressione acustica dell'utensile è di solito di:	
Livello di rumorosità (Incertezza della misura K=3dB(A))	76,9 dB(A)
Potenza della rumorosità (Incertezza della misura K=3dB(A))	87,9 dB(A)
Utilizzare le protezioni per l'udito!	
Informazioni sulle vibrazioni	
Valori totali delle oscillazioni (somma di vettori in tre direzioni) misurati conformemente alla norma EN 62841	
Valore di emissione dell'oscillazione a_h	1,2 m/s ²
Incertezza della misura K=	1,5 m/s ²



Descrizione del dispositivo

- | | |
|---|-----------------------------------|
| ① Telaio anteriore | ⑧ Rilascio levetta di scatto |
| ② Leve di rilascio della ganascia | ⑨ Levetta di scatto |
| ③ Telaio posteriore | ⑩ Impugnatura supplementare |
| ④ Perno di fissaggio del telaio | ⑪ 5 mm Viti con incasso esagonale |
| ⑤ Gancio | ⑫ Batteria |
| ⑥ Impugnatura Superficie di presa isolata | ⑬ Indicatore ONE KEY |
| ⑦ LED | |

AVVERTENZA!

Il livello di vibrazioni indicato nelle presenti istruzioni è stato misurato in conformità con un procedimento di misurazione codificato nella EN 62841 e può essere utilizzato per un confronto tra attrezzi elettrici. Inoltre si può anche utilizzare per una valutazione preliminare della sollecitazione da vibrazioni.

Il livello di vibrazioni indicato rappresenta le applicazioni principali dell'attrezzo elettrico. Se viceversa si utilizza l'attrezzo elettrico per altri scopi, con accessori differenti o con una manutenzione insufficiente, il livello di vibrazioni può risultare diverso. E questo può aumentare decisamente la sollecitazione da vibrazioni lungo l'intero periodo di lavorazione.

Ai fini di una valutazione precisa della sollecitazione da vibrazioni si dovrebbero tenere presente anche i periodi in cui l'apparecchio rimane spento oppure, anche se acceso, non viene effettivamente utilizzato. Ciò può ridurre notevolmente la sollecitazione da vibrazioni lungo l'intero periodo di lavorazione.

Stabilite misure di sicurezza supplementari per la tutela dell'operatore dall'effetto delle vibrazioni, come ad esempio: manutenzione dell'attrezzo elettrico e degli accessori, riscaldamento delle mani, organizzazione dei processi di lavoro.

⚠ AVVERTENZA Leggere tutte le avvertenze di sicurezza, le istruzioni, le illustrazioni e i dati forniti a corredo dell'apparecchio. In caso di mancato rispetto delle avvertenze di pericolo e delle istruzioni operative si potrà creare il pericolo di scosse elettriche, incendi e/o incidenti gravi.

Conservare tutte le avvertenze di pericolo e le istruzioni operative per ogni esigenza futura.

⚠ AVVERTENZE DI SICUREZZA PER TAGLIACAVI

Per ridurre il rischio di esplosioni, scosse elettriche e danni alla proprietà e all'apparecchiatura, non tagliare mai cavi elettrici sotto tensione. L'utensile NON è isolato.

Tenere le mani e abiti larghi lontano dagli utensili di taglio e da altre parti mobili. Sussiste il rischio di gravi lesioni, tra cui la recisione degli arti.

Si consiglia di indossare indumenti di protezione come maschera antipolvere, guanti di protezione, scarpe antiscivolo robuste, casco e cuffie di protezione acustica.

Usare dispositivi di protezione. Indossare sempre occhiali protettivi quando si lavora con il tagliacavi.

Prevenire l'avvio accidentale del tagliacavi. Prima di collegare a una batteria rimovibile, assicurarsi che la levetta di scatto sia stata messa in sicurezza tramite l'interruttore di arresto.

Non impugnare mai il tagliacavi dalle ganasce di taglio.

Prima di utilizzare il tagliacavi, controllare sempre che non vi siano incrinature o altri segni di usura sulle ganasce.

Utilizzare il tagliacavi, la batteria rimovibile e il caricabatteria solo se in condizioni tecniche perfette.

Fare immediatamente riparare eventuali danni da un'officina autorizzata.

Prima di iniziare togliere la batteria dalla apparecchiatura.

Il tagliacavi può essere utilizzato solo se è stato inserito un utensile da taglio.

Rimuovere tutti gli utensili di regolazione e le chiavi prima di procedere al taglio.

Per evitare lesioni o danni, non immergere mai l'utensile, la batteria rimovibile o il caricabatteria in un liquido e non consentire mai a un liquido di penetrare nell'utensile, nella batteria rimovibile o nel caricabatteria.

Impugnare il tagliacavi con entrambe le mani.

Le batterie del System M18 sono ricaricabili esclusivamente con i caricatori del System M18. Le batterie di altri sistemi non possono essere ricaricate.

Non aprire né la batteria né il caricatore e conservarli solo in luogo asciutto. Proteggerli dalla umidità.

Per ridurre il rischio d'incendio, di lesioni o di danni al prodotto causati da corto circuito, non immergere mai l'utensile, la batteria ricaricabile o il carica batterie in un liquido e non lasciare mai penetrare alcun liquido all'interno dei dispositivi e delle batterie. I fluidi corrosivi o conduttori come acqua salata, alcuni agenti chimici, agenti candeggianti o prodotti contenenti agenti candeggianti potrebbero provocare un corto circuito.

AVVERTENZA



Questo dispositivo contiene una batteria a bottone al litio. Una batteria nuova o usata può causare ustioni interne gravi e causare la morte in 2 ore se ingerita o se penetra nell'organismo. Assicurare sempre il coperchio sullo scomparto batterie. Se non si chiude saldamente, arrestare il dispositivo, rimuovere la batteria e tenerla lontano dalla portata dei bambini. Se credete che qualcuno abbia ingerito la batteria, o che la stessa sia entrata in altro modo nell'organismo di qualcuno, cercate immediatamente assistenza medica.

RISCHI RESIDUI

Prima di iniziare il processo di taglio occorre bloccare l'accesso in conformità alle disposizioni locali.

Tagliare solo cavi che siano stati scollegati dall'alimentazione elettrica!

Cavi e funi non possono essere sottoposti a forze meccaniche.

La mancata osservanza di questa misura può portare a lesioni gravi, morte, incendio o altri danni alla proprietà come risultato di una scossa elettrica, di un'esplosione e/o di un arco elettrico.

Indossare occhiali protettivi.

UTILIZZO CONFORME

Il tagliacavi è adatto a troncare cavi privi di tensione in rame o alluminio isolati, funi in ACSR (funi in alluminio/acciaio), funi in acciaio, a seconda dei diversi tipi di cavo.

Il taglio o la troncatura di cavi e funi per mezzo di questo tagliacavi possono essere svolti esclusivamente da personale elettrotecnico qualificato.

L'operatore di questo tagliacavi deve essere stato istruito sui pericoli specifici associati all'uso del tagliacavi e sulle essenziali misure di sicurezza prima di iniziare a lavorare con il tagliacavi per la prima volta, e successivamente almeno una volta l'anno.

Il gestore deve:

- mettere a disposizione dell'operatore il manuale d'uso e
- assicurarsi che l'operatore l'abbia letto e compreso.



AVVERTENZA Leggere tutte le avvertenze di sicurezza, le istruzioni, le illustrazioni e i dati forniti a corredo dell'apparecchio. In caso di mancato rispetto delle avvertenze di pericolo e delle istruzioni operative si potrà creare il pericolo di

scosse elettriche, incendi e/o incidenti gravi.

Conservare tutte le avvertenze di pericolo e le istruzioni operative per ogni esigenza futura.

APPLICAZIONE

Allestimento della zona di lavoro

Prima di iniziare a lavorare, per le condotte o le funi devono essere create condizioni di assenza di tensione, che vanno garantite per tutta la durata dei lavori.

Se non è possibile garantire con certezza che il cavo o la linea isolata siano stati scollegati, non è possibile eseguire lavori.

Le prescrizioni di sicurezza e le norme locali devono essere assolutamente rispettate.

Cavi e funi non possono essere sottoposti a forze meccaniche e all'occorrenza vanno assicurati per impedirne movimenti fuori controllo dopo il taglio.

Non esporre l'apparecchio alla pioggia, non utilizzarla nell'ambiente bagnato o umido.

Preparazione del tagliacavi e della batteria

Prima di ogni utilizzo:

- Controllare che il tagliacavi non abbia difetti esterni
- Controllare che non vi siano incrinature o altri segni di usura sul tagliacavi

Utilizzare solo se in perfette condizioni!

Prima di iniziare il processo di taglio, occorre verificare la carica della batteria: minimo 33% (vedere illustrazione).

Se necessario, la batteria deve essere caricata prima di iniziare il lavoro.

Preparazione per il processo di taglio

Sostenere e fissare il cavo o la fune da tagliare, per ridurre al minimo il rischio di un movimento incontrollato.

In particolare le condotte aeree e le funi possono subire movimenti incontrollati e causare lesioni e/o danni.

La testa di taglio deve essere applicata sul cavo o sulla fune con un angolo di 90°, in modo che essi si collochino senza tensioni nelle ganasce di taglio aperte, onde evitare forze di taglio sfavorevoli.



AVVERTENZA: Per ridurre il rischio di esplosioni, scosse elettriche e danni alla proprietà e all'apparecchiatura, non tagliare mai cavi elettrici sotto tensione.

L'utensile NON è isolato. Il contatto con un circuito sotto tensione può causare lesioni gravi o la morte. Interrompere sempre l'alimentazione elettrica prima di eseguire un taglio. Non tagliare mai condotte del gas o condotte d'acqua. Tenere le mani lontane dagli utensili da taglio e dalle parti in movimento. Pericolo di lacerazione e amputazione.

Rimuovere sempre il pacco batterie prima di sostituire o rimuovere gli accessori. Utilizzare esclusivamente accessori raccomandati per questo utensile. L'uso di accessori diversi è pericoloso.

Per ridurre il rischio di lesioni, indossare occhiali di sicurezza o occhiali con protezioni laterali.



AVVERTENZA: Per ridurre il rischio di lesioni, tagliare solo materiale adatto alle lame montate (vedere „Dati tecnici“). Non provare a tagliare materiali diversi.



Taglio

• Prima di iniziare a tagliare, assicurarsi che le lame siano state montate correttamente.

1. Muovere il cavo perpendicolarmente al filo della lama del tagliacavi. Evitare di eseguire tagli obliqui, onde evitare di danneggiare il pezzo e le lame.

2. Afferrare saldamente l'utensile con entrambe le mani.

Premere la levetta di scatto e tenerla premuta durante l'intera operazione.

Non appena la levetta di scatto venga premuta, si accende una spia LED.

Una volta eseguito il taglio, o una volta disattivato l'utensile, rilasciare nuovamente il pulsante di attivazione e azionare l'interruttore di ritorno, in modo da aprire le ganasce di taglio.

Avviso: È possibile che il cavo si muova leggermente durante l'operazione di taglio.

Comportamento in caso di guasti

• il cavo può essere intaccato e sotto tensione, informare sempre il responsabile della sicurezza, interrompere la procedura di taglio, applicare le misure di sicurezza adeguate

• Assicurarsi sempre che il dispositivo sia scollegato e rimanga scollegato dall'alimentazione elettrica prima di avvicinarsi e toccare il dispositivo

• premere e tenere premuto il pulsante reset fino a quando il tagliacavi non si apra completamente

• controllare la capacità della batteria

• controllare il materiale e lo spessore del materiale in base ai dati tecnici

• Se si sospetta di avere tagliato un cavo sotto tensione, il tagliacavi deve essere controllato in un'officina specializzata autorizzata

Le lame si sono inceppate

Sporco e residui possono causare l'inceppamento delle lame dopo un'operazione di taglio

• Premere e rilasciare il rilascio della levetta di scatto per assicurarsi che l'utensile sia resettato.

• Rimuovere il pacco batteria.

• Seguire la descrizione per immagini ai fini dell'apertura delle ganasce di taglio

• Rimuovere sporco e residui dalle lame prima di iniziare un'altra operazione di taglio.

Consigli per il taglio di cavi

• Evitare di eseguire tagli obliqui, onde evitare di danneggiare il pezzo e le lame.

• Tagliare materiale pulito per allungare la durata di vita delle lame. Rimuovere sporco e residui dal materiale e dalle lame prima di iniziare l'operazione di taglio.

MANUTENZIONE

Prima di iniziare togliere la batteria dall'apparecchio.

Non aprire mai il tagliacavi, la batteria rimovibile o il caricabatteria.

Controllare che il tagliacavi non presenti eventuali problemi, come rumore, inceppamento o parti in movimento che potrebbero avere effetti sull'utensile.

Controllare che non vi siano incrinature o altri segni di usura sugli utensili da taglio.

Una volta completato il lavoro, pulire e ingrassare gli utensili da taglio.

Controllare che gli spigoli di taglio siano affilati e sostituire le ganasce di taglio usurate.

Sostituire le lame quando siano scheggiate o danneggiate.

Sostituire sempre entrambe le lame. Utilizzare esclusivamente lame MILWAUKEE.

Controllare che gli utensili da taglio non siano ostacolati nel movimento.

Per evitare lesioni o danni, non immergere mai l'utensile, la batteria rimovibile o il caricabatteria in un liquido, né consentire mai che un liquido penetri nell'utensile, nella batteria rimovibile o nel caricabatteria.

Tener sempre ben pulite le fessure di ventilazione dell'apparecchio.

L'apparecchio contiene olio idraulico che costituisce un pericolo per le falde acquifere. Lo scarico incontrollato o lo smaltimento non corretto sono punibili.

La manutenzione del dispositivo deve essere eseguita ogni 6 - 12 mesi, a seconda dell'utilizzo.

Per maggiori dettagli sugli intervalli di manutenzione, consultare l'app ONE-KEY.

Gli interventi di manutenzione e di riparazione dovranno essere eseguiti esclusivamente da officine specializzate autorizzate.

Usare solo accessori Milwaukee e pezzi di ricambio Milwaukee.

Gruppi costruttivi la cui sostituzione non è stata descritta, devono essere fatti cambiare da un punto di servizio di assistenza tecnica al cliente Milwaukee (vedi depliant garanzia/indirizzi assistenza tecnica ai clienti).

In caso di mancanza del disegno esploso, può essere richiesto al seguente indirizzo: Techtronic Industries GmbH, Max-Eyth-Straße 10, 71364 Winnenden, Germany.

ONE-KEY™

Per saperne di più sulla funzionalità ONE-KEY di questo utensile, leggere le istruzioni di messa in funzione rapida allegate oppure visitateci in Internet su <http://www.milwaukeeetool.com/one-key>.

È possibile scaricare sullo smartphone l'app ONE-KEY dall'App Store o da Google Play.

In caso di scarica elettrostatica, la comunicazione Bluetooth si disconnette e si esce dall'interfaccia dell'App. L'app non funziona per 45 secondi. Dopo 45 s, bisogna resettare l'APP per ripristinarla." Il prodotto rispetta il nostro livello minimo accettabile di prestazioni secondo le norme EN 301489-1/ EN 301489-17. Forniremo al cliente una guida al funzionamento nel manuale d'uso.

BATTERIE

A temperature superiori ai 50°C, la potenza della batteria si riduce.

Evitare di esporre l'accumulatore a surriscaldamento prolungato, dovuto ad esempio ai raggi del sole o ad un impianto di riscaldamento.

Per una ottimale vita utile è necessario ricaricare completamente le batterie dopo l'uso. Batterie non utilizzate per molto tempo devono essere ricaricate prima dell'uso.

Per una più lunga durata, rimuovere le batterie dal caricabatterie quando saranno cariche.

In caso di immagazzinaggio della batteria per più di 30 giorni, immagazzinare la batteria a circa 27°C in ambiente asciutto., Immagazzinare la batteria con carica di circa il 30% - 50%, Ricaricare la batteria ogni 6 mesi.

Non gettare le batterie esaurite sul fuoco o nella spazzatura di casa. La Milwaukee offre infatti un servizio di recupero batterie usate.

Nel vano d'innesto per la batteria del caricatore non devono entrare parti metalliche.(pericolo di cortocircuito).

TRASPORTO DI BATTERIE AGLI IONI DI LITIO

Le batterie agli ioni di litio sono soggette alle disposizioni di legge sul trasporto di merce pericolosa.

Il trasporto di queste batterie deve avvenire rispettando le disposizioni e norme locali, nazionali ed internazionali.

Gli utilizzatori possono trasportare queste batterie su strada senza alcuna restrizione.

Il trasporto commerciale di batterie agli ioni di litio è regolato dalle disposizioni sul trasporto di merce pericolosa. Le preparazioni al trasporto ed il trasporto stesso devono essere svolti esclusivamente da persone idoneamente istruite. Tutto il processo deve essere gestito in maniera professionale.

Durante il trasporto di batterie occorre tenere conto di quanto segue:

Assicurarsi che i contatti siano protetti ed isolati per evitare corto circuiti. Accertarsi che il gruppo di batterie non possa spostarsi all'interno dell'imballaggio. Batterie danneggiate o batterie che perdono liquido non devono essere trasportate. Per ulteriori informazioni si prega di contattare il proprio trasportatore.

DICHIARAZIONE DI CONFORMITÀ CE

Assumendone la piena responsabilità, dichiariamo che il prodotto descritto nei "Dati tecnici" è conforme alle pertinenti disposizioni delle direttive

2011/65/UE RoHS, 2006/42/CE, 2014/53/UE

e che sono state applicate le seguenti norme armonizzate

EN 62841-1:2015

EN 62479:2010

EN 55014-1:2017+A11:2020

EN 55014-2:2015

EN 301 489-1 V2.2.3

EN 301 489-17 V3.1.1

EN 300 328 V2.2.2

EN IEC 63000:2018



Winnenden, 2021-04-07

Alexander Krug / Managing Director

Autorizzato alla preparazione della documentazione tecnica

Techtronic Industries GmbH

Max-Eyth-Straße 10, 71364 Winnenden, Germany

SIMBOLI



Leggere attentamente le istruzioni per l'uso prima di mettere in funzione l'elettro utensile.



AVVERTENZA!

Pericolo di lesioni a causa dell'espulsione di frammenti



Durante l'uso dell'apparecchio utilizzare sempre gli occhiali di protezione.



Questo dispositivo contiene una batteria a bottone al litio.



Pericolo di scossa elettrica



ATTENZIONE! AVVERTENZA! PERICOLO!



Prima di iniziare togliere la batteria dalla apparecchio.



Tenere le mani lontano dall'utensile da taglio e da altre parti mobili. Le dita potrebbero entrare nel meccanismo di taglio ed essere troncate o ferite.



Accessorio - Non incluso nella dotazione standard, disponibile a parte come accessorio.



I dispositivi elettrici, le batterie e le batterie ricaricabili non devono essere smaltiti con i rifiuti domestici. I dispositivi elettrici e le batterie devono essere raccolti separatamente e devono essere conferiti ad un centro di riciclaggio per lo smaltimento rispettoso dell'ambiente. Chiedere alle autorità locali o al rivenditore specializzato dove si trovano i centri di riciclaggio e i punti di raccolta.

V Volt



Corrente continua



Marchio di conformità europeo



Marchio di conformità britannico



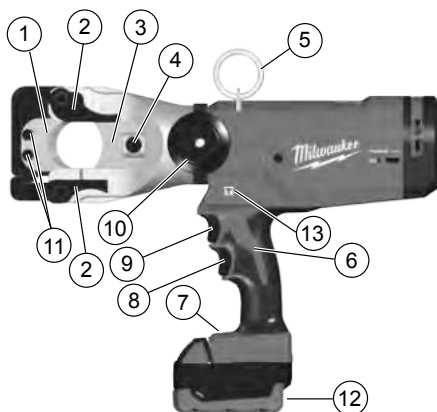
Marchio di conformità ucraino



001
Marchio di conformità euroasiatico



DATOS TÉCNICOS	
Cortacables	
Número de producción	4772 37 01... ... 000001-999999
Banda de frecuencia	2402-2480 MHz
Potencia de radiofrecuencia	1,8 dBm
Voltaje de batería	18 V
Fuerza nominal	77,8 kN
Área de corte Dependiente del tipo de cable	máx. Ø 44 mm
ACSR: Aluminio-/Cables de acero Cobre / Aluminio	
Peso de acuerdo con el procedimiento EPTA 01/2014 (Li-Ion 2,0 Ah...9,0Ah)	6 kg...6,6 kg
Temperatura ambiente recomendada para la operación	-18°C ... +50°C
Juegos de baterías recomendados	M18B...
Cargadores recomendados	MT2-18...
Información sobre ruidos	
Determinación de los valores de medición según norma EN 62841. El nivel de ruido típico del aparato determinado con un filtro A corresponde a:	
Presión acústica (Tolerancia K=3dB(A))	76,9 dB(A)
Resonancia acústica (Tolerancia K=3dB(A))	87,9 dB(A)
Usar protectores auditivos!	
Informaciones sobre vibraciones	
Nivel total de vibraciones (suma vectorial de tres direcciones) determinado según EN 62841.	
Valor de vibraciones generadas _h	1,2 m/s ²
Tolerancia K=	1,5 m/s ²



Descripción del dispositivo

- | | |
|---|--------------------------|
| ① Cuchilla frontal | ⑦ LED |
| ② Palancas de liberación de la mordaza | ⑧ Disparador de apertura |
| ③ Cuchilla trasera | ⑨ Disparador |
| ④ Clavija de sujeción de la cuchilla | ⑩ Empuñadura adicional |
| ⑤ Gancho | ⑪ 5 mm Tornillos Allen |
| ⑥ Empuñadura Superficie de agarre con aislamiento | ⑫ Batería |
| | ⑬ Indicador ONE KEY |



ADVERTENCIA!

El nivel vibratorio indicado en estas instrucciones ha sido medido conforme a un método de medición estandarizado en la norma EN 62841, y puede utilizarse para la comparación entre herramientas eléctricas. También es apropiado para una estimación provisional de la carga de vibración.

El nivel vibratorio indicado representa las aplicaciones principales de la herramienta eléctrica. Si, pese a ello, se utiliza la herramienta eléctrica para otras aplicaciones, con útiles adaptables diferentes o con un mantenimiento insuficiente, el nivel vibratorio puede diferir. Esto puede incrementar sensiblemente la carga de vibración durante todo el periodo de trabajo.

Para una estimación exacta de la carga de vibración deberían tenerse en cuenta también los tiempos durante los que el aparato está apagado o, pese a estar en funcionamiento, no está siendo realmente utilizado. Esto puede reducir sustancialmente la carga de vibración durante todo el periodo de trabajo.

Adopte medidas de seguridad adicionales para la protección del operador frente al efecto de las vibraciones, como por ejemplo: mantenimiento de la herramienta eléctrica y de los útiles adaptables, mantener las manos calientes, organización de los procesos de trabajo.

⚠ ADVERTENCIA Lea las indicaciones de seguridad, instrucciones, descripciones y datos que se incluyen en el aparato. En caso de no atenderse a las advertencias de peligro e instrucciones siguientes, ello puede ocasionar una descarga eléctrica, un incendio y/o lesión grave.

Guardar todas las advertencias de peligro e instrucciones para futuras consultas.

⚠ INDICACIONES DE SEGURIDAD PARA EL CORTACABLES

Para reducir el riesgo de explosiones, descargas eléctricas y daños a la propiedad, nunca corte líneas eléctricas energizadas. La herramienta NO está aislada.

Mantenga las manos y prendas de ropa ligeras alejadas de las herramientas de corte y otras piezas móviles. Existe riesgo de lesiones graves, incluyendo la amputación de extremidades.

Se recomienda utilizar ropa de protección como máscara protectora contra el polvo, guantes protectores, calzado resistente y antideslizante, casco y protección para los oídos.

Utilice el equipamiento de protección. Lleve siempre puestas gafas de seguridad cuando trabaje con el cortador de cables.

Prevenga un encendido accidental del cortador de cables. Antes de conectarlo a una batería extraíble, asegúrese de que el disparador está asegurado con un bloqueo de encendido.

Nunca sujete el cortador de cables por las mordazas de corte.

Antes de utilizarlo, compruebe siempre las mordazas de corte en busca de grietas u otros signos de desgaste.

Utilice únicamente el cortador de cables, la batería extraíble y el cargador si se encuentran en perfecto estado técnico.

Los deterioros deben ser reparados inmediatamente por un taller especializado autorizado.

Retire la batería antes de comenzar cualquier trabajo el aparato. El cortador de cables solo puede utilizarse con una herramienta de corte insertada.

Retire cualquier herramienta de ajuste o llaves antes de hacer el corte.

Para evitar lesiones y daños, nunca sumerja la herramienta, la batería extraíble o el cargador en líquidos ni permita que penetre líquido en su interior.

Sujete el cortador de cables por ambas empuñaduras.

Recargar solamente los acumuladores del Sistema M18 en cargadores M18. No intentar recargar acumuladores de otros sistemas.

No abra nunca las baterías ni los cargadores y guárdelos sólo en lugares secos. Protéjalos de la humedad en todo momento.

Para reducir el riesgo de incendio, lesión personales y daños al producto debido a un cortocircuito, no sumerja nunca la herramienta, el paquete de baterías o el cargador en líquido ni permita que fluya un fluido dentro de ellos. Los fluidos corrosivos o conductivos, como el agua de mar, ciertos productos quími-cos industriales y blanqueadores o lejías que contienen, etc., Pueden causar un cortocircuito.

ADVERTENCIA



Este dispositivo contiene una batería de litio de botón. En caso de ingesta o de que entre en el cuerpo, una batería nueva o usada puede provocar quemaduras internas y causar la muerte en 2 horas. Asegure siempre la tapa del compartimento de la batería. Si no se cierra correctamente, detenga el dispositivo, retire la batería o mantenga fuera del alcance de los niños. Si cree que alguien puede haber ingerido la batería o que puede haber entrado en el cuerpo de alguna otra manera, acuda inmediatamente a un médico.

PELIGROS RESIDUALES

Antes de que comience el proceso de corte, se deberá cerrar el acceso de conformidad con las disposiciones locales.

Solo deberán cortarse cables que se hayan desconectado de la fuente de alimentación!

Las líneas eléctricas y los cables no pueden someterse a ningún tipo de fuerzas mecánicas.

La inobservancia de esta instrucción puede derivar en lesiones graves, la muerte, incendio y otros tipos de daños a la propiedad como resultado de una descarga eléctrica, una explosión y/o arcos eléctricos.

Llevar gafas de protección.

APLICACIÓN DE ACUERDO A LA FINALIDAD

El cortacables es adecuado para la separación de cables desenergizados de cobre o aluminio aislados, cables ACSR (cables de aluminio/acero), cables de acero, dependiendo respectivamente del tipo de cable.

Solo el personal capacitado especialmente en electrotecnia podrá llevar a cabo el corte o la separación de líneas eléctricas y cables utilizando este cortacables.

El operario de este cortador de cables debe haber recibido las instrucciones adecuadas sobre los peligros específicos asociados al uso del mismo y en cuanto a las medidas de seguridad esenciales antes de trabajar con él por primera vez y, como mínimo, una vez al año a partir de entonces.

La compañía operadora debe:

- poner el manual de instrucciones a disposición del operario y
- asegurar que el operario lo haya leído y comprendido.



ADVERTENCIA Lea las indicaciones de seguridad, instrucciones, descripciones y datos que se incluyen en el aparato. En caso de no atenerse a las advertencias de peligro e instrucciones siguientes, ello puede ocasionar una descarga eléctrica, un incendio y/o lesión grave.

Guardar todas las advertencias de peligro e instrucciones para futuras consultas.

APLICACIÓN

Configuración del área de trabajo

Antes de comenzar con los trabajos se deberán desenergizar las líneas eléctricas o los cables, y asegurarlos durante el tiempo que dure el trabajo.

Si no puede asegurarse más allá de toda duda que el cable o la línea aislada han sido desconectados, no se podrá llevar a cabo trabajo alguno.

Se deberán tener en cuenta obligatoriamente las disposiciones y las normas de seguridad locales.

Las líneas eléctricas y los cables no pueden someterse a ningún tipo de fuerzas mecánicas y, a su vez, tienen que estar asegurados contra movimientos incontrolados tras el corte.

No exponga las herramientas a la lluvia. No utilice las herramientas en lugares húmedos o mojados.

Preparación del cortador de cables y de la batería

Antes de cada uso:

- Inspeccione el cortador de cables en busca de defectos externos
- Compruebe la herramienta de corte en busca de grietas u otros signos de desgaste

¡Utilice el dispositivo únicamente en perfectas condiciones!

Antes de que comience el proceso de corte, se deberá comprobar la capacidad de la batería: mínimo 33 % (véase la ilustración de la descripción).

Puede ser necesario cargarla antes de comenzar a trabajar.

Preparación para el proceso de corte

Apoye y fije la línea eléctrica o el cable a cortar con el fin de minimizar el riesgo de movimientos incontrolados.

En particular, las líneas aéreas y los cables pueden moverse sin control y causar lesiones y/o daños.

El cabezal de corte tiene que colocarse sobre la línea eléctrica o el cable en un ángulo de 90°, de forma que se sitúe en las mordazas abiertas sin tensión para poder evitar fuerzas de corte desfavorables.



ADVERTENCIA: Para reducir el riesgo de explosiones, descargas eléctricas y daños a la propiedad, nunca corte líneas eléctricas energizadas.

La herramienta NO está aislada. El contacto con un circuito energizado puede resultar en lesiones graves o la muerte. Interrumpa el suministro eléctrico antes de hacer un corte. Nunca corte conductos de gas o tuberías de agua. Mantenga las manos alejadas de todos los bordes cortantes y de las piezas móviles. Pueden producirse laceraciones y amputaciones.

Retire siempre la batería antes de cambiar o retirar accesorios. Utilice únicamente accesorios recomendados específicamente para esta herramienta. Otros podrían ser peligrosos.

Para reducir el riesgo de lesiones, lleve puestas gafas de seguridad o gafas con visera deslizante.



⚠ ADVERTENCIA: Para reducir el riesgo de lesiones, corte únicamente materiales recomendados para las cuchillas. (véanse las „especificaciones“) No intente cortar otros materiales.

Proceso de corte

- Antes de cortar, asegúrese de que las cuchillas estén instaladas correctamente.
 - 1. Coloque el cable en ángulo recto sobre la cuchilla del cortacables. No intente hacer cortes angulares, pues esto dañará la pieza de trabajo y las cuchillas.
 - 2. Sujete la(s) empuñadura(s) firmemente. Pulse el disparador y manténgalo pulsado durante la operación. Cuando el disparador esté pulsado se encenderá una luz LED. Cuando se haya efectuado el corte o la herramienta se haya apagado, vuelva a soltar el gatillo y accione el interruptor de retroceso para que se abran las mordazas de corte.
- Observación: La pieza de trabajo puede moverse ligeramente durante el corte.

Cómo actuar en caso de fallos

- El cable puede estar cortado y energizado, siempre se debe informar al encargado de seguridad, detener el proceso de corte y tomar las medidas de seguridad adecuadas
- Asegúrese siempre de que el dispositivo está y permanecerá desconectado del suministro eléctrico antes de aproximarse y tocar el dispositivo
- Pulse y mantenga pulsado el botón de restablecimiento hasta que el cortador se abra completamente
- Compruebe la capacidad de la batería
- Compruebe el material y el grosor del material comparándolos con los datos técnicos
- Si se sospecha que se ha cortado un cable energizado, se deberá inspeccionar el cortador de cables en un taller especializado autorizado

Cuchillas atascadas

La suciedad y los restos de material pueden hacer que las cuchillas se atasquen después de hacer un corte

- Pulse y mantenga pulsado el disparador de apertura para asegurar que la herramienta se ha restablecido.
- Retirar la batería.
- Siga la descripción de la imagen para abrir las mordazas
- Retire cualquier suciedad o restos de material de las cuchillas antes de iniciar un nuevo corte.

Consejos para cortar

- No intente hacer cortes angulares, pues esto dañará la pieza de trabajo y las cuchillas.
- Corte material limpio para prolongar la vida útil de las cuchillas. Retire la suciedad y los restos del material y de las cuchillas antes de comenzar el corte.

MANTENIMIENTO

Retire la batería antes de comenzar cualquier trabajo el aparato. Nunca abra el cortador de cables, la batería extraíble o el cargador. Compruebe el cortador de cables en busca de cualquier tipo de problemas como ruidos o atascos de las piezas móviles que puedan afectar a la herramienta. Compruebe las herramientas de corte en busca de grietas u otros signos de desgaste.

Al completar el trabajo de corte, limpie y engrase las herramientas de corte.

Compruebe que los bordes de corte estén afilados y sustituya las mordazas de corte desgastadas.

Sustituya las cuchillas cuando presenten grietas o estén dañadas.

Sustituya siempre el juego completo de las cuchillas. Utilice únicamente cuchillas MILWAUKEE.

Compruebe que las herramientas de corte se puedan mover libremente.

Para evitar lesiones y daños, nunca sumerja la herramienta, la batería extraíble o el cargador en líquidos ni permita que penetre líquido en su interior.

Las ranuras de ventilación de la máquina deben estar despejadas en todo momento.

El aparato contiene aceite hidráulico que supone un peligro para las aguas subterráneas. La evacuación incontrolada o eliminación inadecuada se penalizan legalmente.

El dispositivo debe someterse a mantenimiento cada seis o doce meses, dependiendo del uso.

Puede encontrar más información acerca de los intervalos de mantenimiento a través de la aplicación ONE-KEY.

Los trabajos de mantenimiento y reparación deben ser realizados únicamente por talleres especializados autorizados.

Utilice solamente accesorios y repuestos Milwaukee. En caso de necesitar reemplazar componentes no descritos, contacte con cualquiera de nuestras estaciones de servicio Milwaukee (consultar lista de servicio técnicos)

En caso necesario, puede solicitar un despiece de la herramienta. Por favor indique el número de impreso que hay en la etiqueta y pida el despiece a la siguiente dirección: Techtronic Industries GmbH, Max-Eyth-Straße 10, 71364 Winnenden, Germany.

ONE-KEY™

Para obtener más información sobre la función ONE-KEY de esta herramienta, lea la guía de inicio rápido adjunta o visite nuestra web en <http://www.milwaukeeool.com/one-key>.

Puede descargar en su teléfono móvil la aplicación ONE-KEY en la App Store o en Google Play.

Cuando se experimente una descarga electrostática, la comunicación vía Bluetooth se desconectará y la interfaz de la aplicación se cerrará. La app no podrá usarse durante 45 segundos. Transcurridos 45 s. se deberá restablecer la aplicación a „recuperar“. Consideramos que el rendimiento se encuentra dentro de nuestro nivel de rendimiento mínimo aceptable de conformidad con EN 301489-1/EN 301489-17. Y ofreceremos al cliente las indicaciones de uso en nuestro manual de usuario.

BATERIA

Las temperaturas superiores a 50°C reducen el rendimiento de la batería. Evite una exposición excesiva a fuentes de calor o al sol (riesgo de sobrecalentamiento).

Los puntos de contacto de los cargadores y las baterías se deben mantener limpios.

Para un tiempo óptimo de vida, deberán cargarse las baterías completamente después de su uso. Las baterías no utilizadas durante cierto tiempo deben ser recargadas antes de usar.

Para garantizar la máxima capacidad y vida útil, las baterías recargables se deberían retirar del cargador una vez finalizada la carga.

En caso de almacenar la batería recargable más de 30 días; Almacenar la batería recargable en un lugar seco a una temperatura de aproximadamente 27°C. Almacenar la batería recargable con un estado de carga del 30% y 50% aproximadamente. Recargar la batería cada 6 meses.

No tire las baterías usadas a la basura ni al fuego. Los Distribuidores Milwaukee ofrecen un servicio de recogida de baterías antiguas para proteger el medio ambiente.

No almacene la batería con objetos metálicos (riesgo de cortocircuito).

TRANSPORTE DE BATERÍAS DE IONES DE LITIO

Las baterías de iones de litio caen bajo las disposiciones legales relativas al transporte de mercancías peligrosas.

El transporte de estas baterías recargables debe llevarse a cabo, observando las normas y disposiciones locales, nacionales e internacionales.

Los consumidores pueden transportar estas baterías recargables sin el menor reparo en la calle.

El transporte comercial de baterías recargables de iones de litio por empresas de transportes está sometido a las disposiciones del transporte de mercancías peligrosas. Las preparaciones para el envío y el transporte deben ser llevados a cabo exclusivamente por personas instruidas adecuadamente. El proceso completo debe ser supervisado por personal competente.

Los siguientes puntos se deben observar para el transporte de las baterías recargables:

Se debe asegurar que los contactos estén protegidos y aislados para evitar que se produzcan cortocircuitos. Preste atención a que el conjunto de baterías recargables no se pueda desplazar dentro del envase. Las baterías recargables deterioradas o derramadas no se deben transportar. Rogamos que para cualquier información adicional se dirija a su empresa de transportes.

DECLARACION DE CONFORMIDAD CE

Declaramos bajo nuestra única responsabilidad que el producto descrito bajo „Datos técnicos“ cumple todas las disposiciones pertinentes de las directivas

2011/65/UE RoHS, 2006/42/CE, 2014/53/ UE y que se han implementado y estándares

EN 62841-1:2015

EN 62479:2010

EN 55014-1:2017+A11:2020

EN 55014-2:2015

EN 301 489-1 V2.2.3

EN 301 489-17 V3.1.1

EN 300 328 V2.2.2

EN IEC 63000:2018



Winnenden, 2021-04-07

Alexander Krug / Managing Director
Autorizado para la redacción de los documentos técnicos.
Techtronic Industries GmbH
Max-Eyth-Straße 10, 71364 Winnenden, Germany

SÍMBOLOS



Lea las instrucciones detenidamente antes de conectar la herramienta



ADVERTENCIA!

Peligro de lesiones por esquivilas que pudieran salir despedidas.



Para trabajar con la máquina, utilizar siempre gafas de protección.



Este dispositivo contiene una batería de litio de botón.



Peligro de descarga eléctrica



¡ATENCIÓN! ¡ADVERTENCIA! ¡PELIGRO!



Retire la batería antes de comenzar cualquier trabajo el aparato.



Mantenga alejadas las manos de la herramienta de corte y de otras piezas móviles. Los dedos pueden entrar en contacto con el mecanismo de corte y quedar amputados o lesionados.



Accesorio - No incluido en el equipo estándar, disponible en la gama de accesorios.



Los electrodomésticos y las baterías/acumuladores no se deben eliminar junto con la basura doméstica. Los aparatos eléctricos y los acumuladores se deben recoger por separado y se deben entregar a una empresa de reciclaje para una eliminación respetuosa con el medio ambiente. Infórmese en las autoridades locales o en su tienda especializada sobre los centros de reciclaje y puntos de recogida.

V Voltios

--- Corriente continua



Marcado de conformidad europeo



Marcado de conformidad británico



Marcado de conformidad ucraniano

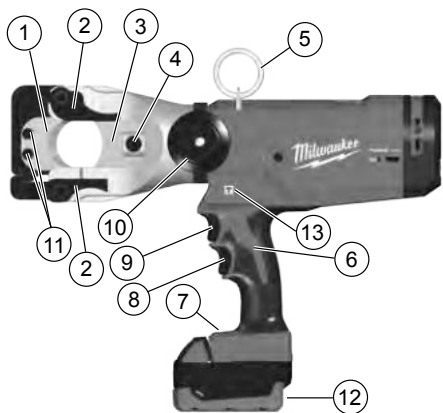


Marcado de conformidad euroasiático



E

CARACTERÍSTICAS TÉCNICAS	
Corta-cabos	
Número de produção	M18 HCC45 4772 37 01... ... 000001-999999
Banda de frequências	2402-2480 MHz
Potência de radiofrequências	1,8 dBm
Tensão do acumulador	18 V
Força nominal	77,8 kN
Área de corte Dependente do tipo de cabo	no máx. Ø 44 mm
ACSR: alumínio-/Cabos de aço cobre / alumínio	
Peso nos termos do procedimento-EPTA 01/2014 (Li-Ion 2,0 Ah...9,0Ah)	6 kg...6,6 kg
Temperatura ambiente recomendada para a operação	-18°C ... +50°C
Conjuntos de baterias recomendados	M18B...
Carregadores recomendados	M12-18...
Informações sobre ruído	
Valores de medida de acordo com EN 62841. O nível de ruído avaliado A do aparelho é tipicamente:	
Nível da pressão de ruído (Incertez K=3dB(A))	76,9 dB(A)
Nível da potência de ruído (Incertez K=3dB(A))	87,9 dB(A)
Use protectores auriculares!	
Informações sobre vibração	
Valores totais de vibração (soma dos vectores das três direcções) determinadas conforme EN 62841.	
Valor de emissão de vibração _h	1,2 m/s ²
Incerteza K=	1,5 m/s ²



Descrição do dispositivo

- | | |
|------------------------------------|--------------------------------------|
| ① Lâmina frontal | ⑦ LED |
| ② Alavancas de libertação da garra | ⑧ Gatilho de libertação |
| ③ Lâmina traseira | ⑨ Gatilho |
| ④ Pino de retenção da lâmina | ⑩ Manipulo suplementar |
| ⑤ Gancho de suspensão | ⑪ 5 mm parafusos de cabeça sextavada |
| ⑥ Pega Superfície de pega isolada | ⑫ Bateria |
| | ⑬ Indicador de UMA CHAVE |

⚠ ATENÇÃO Ler todas as indicações de segurança, instruções, representações e dados fornecidos juntamente com o aparelho. O desrespeito das advertências e instruções apresentadas abaixo pode causar choque eléctrico, incêndio e/ou graves lesões. **Guarde bem todas as advertências e instruções para futura referência.**

⚠ INDICAÇÕES DE SEGURANÇA PARA CORTA-CABOS

Para reduzir o risco de explosões, choque eléctrico e danos materiais e no equipamento, nunca corte cabos eléctricos energizados. A ferramenta NÃO é isolada.

Manter as mãos e vestuário solto afastados de ferramentas de corte e de outras peças móveis. Há um risco de lesões graves, incluindo corte dos membros.

Vestuário de protecção, bem como máscara de pó, sapatos fechados e antiderrapante, capacete e protecção auditiva são recomendados. Utilizar equipamento de protecção. Use sempre óculos de segurança ao trabalhar com o cortador de cabos.

Previna o arranque acidental do cortador de cabos. Antes de ligar a uma bateria amovível, certifique-se de que o gatilho está fixado com o bloqueio do interruptor.

Nunca segure o cortador de cabos pelas mandíbulas de corte. Antes de utilizar, verifique sempre se as mandíbulas de corte apresentam fendas e outros sinais de desgaste.

Utilize o cortador de cabos, a bateria amovível e o carregador apenas se estiverem em perfeita condição técnica.

Deixe uma oficina especializada reparar os danos imediatamente.

Antes de efectuar qualquer intervenção o aparelho retirar o bloco acumulador.

ATENÇÃO!

O nível vibratório indicado nestas instruções foi medido em conformidade com um procedimento de medição normalizado na EN 62841 e pode ser utilizado para comparar entre si ferramentas eléctricas. O mesmo é também adequado para avaliar provisoriamente o esforço vibratório.

O nível vibratório indicado representa as principais aplicações da ferramenta eléctrica. Se, no entanto, a ferramenta eléctrica for utilizada para outras aplicações, com outras ferramentas adaptadas ou uma manutenção insuficiente, o nível vibratório poderá divergir. Isto pode aumentar consideravelmente o esforço vibratório ao longo de todo o período do trabalho.

Para uma avaliação exacta do esforço vibratório devem também ser considerados os tempos durante os quais o aparelho está desligado ou está a funcionar, mas não está efectivamente a ser utilizado. Isto pode reduzir consideravelmente o esforço vibratório ao longo de todo o período do trabalho.

Defina medidas de segurança suplementares para proteger o operador do efeito das vibrações, como por exemplo: manutenção da ferramenta eléctrica e das ferramentas adaptadas, manter as mãos quentes, organização das sequências de trabalho.

O cortador de cabos apenas pode ser utilizado com uma ferramenta de corte inserida.

Remova quaisquer ferramentas de ajuste e chaves antes de efetuar o corte.

Para evitar lesões e danos, nunca mergulhe a ferramenta, a bateria amovível ou o carregador em líquidos nem permita que entrem líquidos no seu interior.

Segure o cortador de cabos pelas duas pegas.

Use apenas carregadores do Sistema M18 para recarregar os acumuladores do Sistema M18. Não utilize acumuladores de outros sistemas.

Carregadores só devem ser utilizados em recintos secos.

Para evitar o risco de incêndio, de feridas ou de danificação do produto causado por um curto-circuito, não imerja a bateria intercambiável ou o carregador em líquidos e assegure-se de que líquidos não penetrem nos aparelhos ou nas baterias. Líquidos corrosivos ou condutivos como água salgada, determinadas substâncias químicas ou produtos que contenham branqueadores podem causar um curto-circuito.

ATENÇÃO



Este dispositivo contém uma pilha de célula de lítio tipo botão/moeda. Uma pilha de nova ou usada pode causar queimaduras internas graves e levar à morte em menos de 2 horas, em caso de ingestão ou se ela penetrar no corpo. Fixe sempre a tampa do compartimento da pilha. Se ela não for fechada seguramente, pare o dispositivo, remova a pilha e mantenha-a fora do alcance de crianças. Se achar que alguém engoliu a pilha ou se ela tiver de algum outro modo penetrado no corpo, procure imediatamente um médico.

RISCOS RESIDUAIS

Antes de iniciar o processo de corte, o acesso deve ser vedado de acordo com os regulamentos locais.

Corte apenas cabos que tenham sido desligados da alimentação elétrica!

Os cabos e os fios não podem estar sujeitos a forças mecânicas.

O incumprimento desta instrução pode causar lesões graves, morte, incêndio e outros danos materiais, como resultado de choque elétrico, explosões e/ou arcos elétricos.

Use óculos de proteção.

UTILIZAÇÃO AUTORIZADA

O corta-cabos é adequado para cortar cabos livres de tensão, feitos de cobre ou alumínio isolado, cabos ACSR (cabos de aço/alumínio), cabos de aço, respetivamente em função do tipo de cabo.

O corte e a separação de cabos e fios com a ajuda deste corta-cabos apenas podem ser realizados por pessoas devidamente instruídas.

O operador deste cortador de cabos deve ser instruído quanto aos perigos específicos associados à sua utilização e às medidas essenciais de segurança, antes de trabalhar com o cortador de cabos pela primeira vez e, pelo menos, uma vez por ano.

A empresa operadora deve:

- disponibilizar o manual de utilização ao operador e
- assegurar que o operador leu e compreendeu o manual.



ATENÇÃO Ler todas as indicações de segurança, instruções, representações e dados fornecidos juntamente com o aparelho. O desrespeito das advertências e instruções apresentadas abaixo pode causar choque eléctrico, incêndio e/ou graves lesões.
Guarde bem todas as advertências e instruções para futura referência.

UTILIZAÇÃO

Configuração da área de trabalho

Antes de iniciar o trabalho, é necessário assegurar que as linhas e os cabos se encontram livres de tensão e que continuarão pelo tempo de duração do trabalho.

Se não for possível assegurar sem qualquer dúvida que se desligou o cabo ou linha isolada, não se pode realizar nenhum trabalho.

Dever-se-ão respeitar obrigatoriamente as disposições de segurança e regulamentos locais.

Os cabos e os fios não podem estar sujeitos a forças mecânicas e devem estar protegidos contra eventuais movimentos incontrolados após o corte.

Não exponha as ferramentas à chuva. Não utilize as ferramentas em locais húmidos ou molhados.

Preparação do cortador de cabos e da bateria

Antes de cada utilização:

- Inspeccione o cortador de cabos quanto a defeitos externos
- Verifique se a ferramenta de corte apresenta fendas e outros sinais de desgaste

Utilize apenas se estiver em perfeitas condições!

Antes de começar o processo de corte, deve ser verificada a capacidade da bateria: no mínimo 33% (veja a descrição ilustrada).

Poderá ser necessário carregar a bateria antes de começar o trabalho.

Preparação para o processo de corte

Apoie e fixe o cabo ou fio a ser cortado, a fim de se minimizar o risco de um movimento descontrolado.

Em particular, os cabos e linhas ao ar livre poderão ter um movimento incontrolável e causar ferimentos e/ou danos.

A cabeça de corte deve estar posicionada num ângulo de 90° em relação ao cabo ou fio, de modo que este se encontre livre de tensões nos mordentes de corte, a fim de se evitar forças de corte desfavoráveis.



ATENÇÃO: Para reduzir o risco de explosões, choque eléctrico e danos materiais e no equipamento, nunca corte cabos eléctricos energizados.

A ferramenta NÃO é isolada. O contacto com um circuito energizado poderia resultar em lesões graves ou morte. Desligue a energia eléctrica antes de efetuar um corte. Nunca corte linhas de gás ou de água. Mantenha as mãos afastadas de todas as arestas de corte e peças em movimento. Pode ocorrer laceração e amputação.

Remova sempre o bloco da bateria, antes de mudar ou remover os acessórios. Utilize apenas acessórios especificamente recomendados para esta ferramenta. Outros podem ser perigosos.

Para reduzir o risco de lesões, use óculos de segurança ou óculos com proteção lateral.



ATENÇÃO: Para reduzir o risco de lesões, corte apenas os materiais recomendados para as lâminas. (Consulte as «Especificações») Não tente cortar outros materiais.

Corte

- Antes de cortar, certifique-se de que as lâminas estão devidamente instaladas.



Por

1. Coloque o cabo em ângulo reto nas lâminas do corta-cabos. Não tente fazer cortes em ângulo, pois danificam a peça de trabalho e as lâminas.

2. Agarre a(s) pega(s) com firmeza.

Puxe e segure o gatilho durante toda a operação.

Quando o gatilho é puxado, acende-se um LED.

Assim que tiver efetuado o corte ou desativado a ferramenta, solte novamente o acionador e prima mecanismo de reinicialização, para que se abram os mordentes de corte.

O que fazer em caso de falhas

- o cabo pode estar cortado e encontrar-se sob tensão; informar sempre o responsável pela segurança, interromper o processo de corte, iniciar as medidas de segurança adequadas
- Certifique-se sempre de que o dispositivo está e permanecerá desligado da alimentação elétrica, antes de se aproximar e de tocar no dispositivo
- Pressione e mantenha pressionado o botão de reposição até que o cortador se abra completamente
- Verifique a capacidade da bateria
- Verifique o material e a respetiva espessura em comparação com os dados técnicos
- Caso se suspeite de que foi cortado um cabo energizado, o cortador de cabos deve ser inspecionado numa oficina especializada autorizada

Lâminas encravadas

A sujidade e os detritos podem fazer com que as lâminas fiquem encravadas após um corte

- Pressione e mantenha pressionado o gatilho de libertação para garantir que a ferramenta foi reposta.
- Remova o bloco da bateria.
- Siga a descrição das imagens para abrir os mordentes de corte
- Limpe toda a sujidade e detritos das lâminas antes de iniciar outro corte.

Dicas de corte

- Não tente fazer cortes em ângulo, pois danificam a peça de trabalho e as lâminas.
- Corte material limpo para prolongar a vida útil da lâmina. Limpe a sujidade e os detritos do material e das lâminas antes de começar o corte.

MANUTENÇÃO

Antes de efectuar qualquer intervenção o aparelho retirar o bloco acumulador.

Nunca abra o cortador de cabos, a bateria amovível ou o carregador.

Verifique o cortador de cabos quanto a eventuais problemas, tais como ruído ou bloqueio de peças móveis que poderiam estar a afetar a ferramenta.

Verifique se as ferramentas de corte apresentam fendas e outros sinais de desgaste.

Após a conclusão do trabalho, limpe e lubrifique as ferramentas de corte.

Verifique se as arestas de corte estão afiadas e substitua as mandíbulas de corte gastas.

Substitua as lâminas quando ficarem lascadas ou danificadas.

Substitua sempre as lâminas como um conjunto. Utilize apenas lâminas MILWAUKEE.

Verifique se as ferramentas de corte podem mover-se livremente.

Para evitar lesões e danos, nunca mergulhe a ferramenta, a bateria amovível ou o carregador em líquidos nem permita que entrem líquidos no seu interior.

Manter desobstruídos os rasgos de ventilação na carcaça da máquina.

O aparelho contém óleo hidráulico que representa um perigo para o lençol freático. Uma evacuação descontrolada ou eliminação incorrecta é punível.

O dispositivo deve ser sujeito a assistência técnica a cada seis a doze meses, dependendo da utilização.

Encontra mais informações sobre os intervalos de assistência técnica na aplicação ONE-KEY.

Trabalhos de manutenção e reparação só devem ser executados por oficinas autorizadas.

Utilizar apenas acessórios Milwaukee e peças sobresselentes Milwaukee. Os componentes cuja substituição não esteja descrita devem ser substituídos num serviço de assistência técnica Milwaukee (consultar a brochura relativa à garantia/moradas dos serviços de assistência técnica).

A pedido e mediante indicação da referência que consta da chapa de características da máquina, pode requerer-se um desenho explosivo da ferramenta eléctrica a: Techtronic Industries GmbH, Max-Eyth-Straße 10, 71364 Winnenden, Germany.

ONE-KEY™

Para saber mais sobre a funcionalidade ONE-KEY desta ferramenta, ler o manual de arranque rápido em anexo ou visitar o nosso site na Internet em <http://www.milwaukeetool.com/one-key>

Pode-se descarregar a app ONE-KEY para o smartphone através da App Store ou do Google Play.

Quando ocorrem descargas eletrostáticas, a comunicação Bluetooth é desligada e a interface da aplicação é encerrada. Não se poderá utilizar a aplicação durante 45 segundos. Após 45 segundos, é necessária a reposição da aplicação para recuperar. Consideramos que o resultado está dentro do nosso nível mínimo de desempenho aceitável, em conformidade com a norma EN 301489-1/ EN 301489-17. Forneceremos ao cliente a orientação de operação contida no manual do utilizador.

ACUMULADOR

Temperaturas acima de 50°C reduzem a capacidade do bloco acumulador. Evitar exposição prolongada ao sol ou a caloríferos.

Manter limpos os contactos eléctricos no carregador e no bloco acumulador.

Para uma vida útil óptima das baterias, terá que carregá-las plenamente após a sua utilização. Acumuladores não utilizados durante algum tempo devem ser recarregados antes da sua utilização.

Para assegurar uma vida útil longa, o pacote de bateria deve ser removido da carregadora depois do carregamento.

Se o pacote de bateria for armazenado por mais de 30 dias; Armazene o pacote de bateria com aprox. 27°C em um lugar seco., Armazene o pacote de bateria com aprox. 30%-50% da carga completa., Carregue o pacote de bateria novamente de 6 em 6 meses.

Não queimar acumuladores gastos nem deitá-los no lixo doméstico. A Milwaukee possui uma eliminação de acumuladores gastos que respeita o meio ambiente.

Não guardar acumuladores junto com objectos metálicos (perigo de curto-circuito).

TRANSPORTE DE BATERIAS DE IÃO-LÍLIO

Baterias de ião-lítio estão sujeitas às disposições da legislação relativa às substâncias perigosas.

O transporte destas baterias deve ser efetuado de acordo com as disposições e os regulamentos locais, nacionais e internacionais.

O utilizador pode efetuar o transporte rodoviário destas baterias sem restrições.

O transporte comercial de baterias de ião-lítio por terceiros está sujeito aos regulamentos relativos às substâncias perigosas. A preparação do transporte e o transporte devem ser executados exclusivamente por pessoas instruídas e o processo deve ser acompanhado pelos especialistas correspondentes.

Observe o seguinte no transporte de baterias:

Assegure-se de que os contactos terminais estejam protegidos e isolados para evitar um curto-circuito. Assegure-se de que o bloco da bateria esteja protegido contra movimentos na embalagem.

Não transporte baterias danificadas ou que tenham fuga. Para instruções mais detalhadas consulte a companhia de transportes

DECLARAÇÃO DE CONFORMIDADE CE

Declaramos, sob a nossa inteira responsabilidade, que o produto descrito em «Dados Técnicos» cumpre todas as disposições relevantes das diretivas

2011/65/UE RoHS, 2006/42/CE, 2014/53/UE tendo sido seguidas as seguintes normas harmonizadas

EN 62841-1:2015

EN 62479:2010

EN 55014-1:2017+A11:2020

EN 55014-2:2015

EN 301 489-1 V2.2.3

EN 301 489-17 V3.1.1

EN 300 328 V2.2.2

EN IEC 63000:2018



Winnenden, 2021-04-07

Alexander Krug / Managing Director

Autorizado a reunir a documentação técnica.

Techtronic Industries GmbH

Max-Eyth-Straße 10, 71364 Winnenden, Germany

SYMBOLE



Leia atentamente o manual de instruções antes de colocar a máquina em funcionamento.



ATENÇÃO!

Existe perigo de ferimentos devido a estilhaços de corte



Usar sempre óculos de protecção ao trabalhar com a máquina.



Este dispositivo contém uma pilha de célula de lítio tipo botão/moeda.



Perigo de choque eléctrico



ATENÇÃO! PERIGO!



Antes de efectuar qualquer intervenção o aparelho retirar o bloco acumulador.



Manter as mãos afastadas da ferramenta de corte e de outras peças móveis. Os dedos podem ser esfolados, cortados ou feridos no mecanismo de corte.



Acessório - Não incluído no equipamento normal, disponível como acessório.



Aparelhos eléctricos, baterias/acumuladores não devem ser jogados no lixo doméstico. Os aparelhos eléctricos e as baterias devem ser colectados separadamente e entregues a uma empresa de reciclagem para a eliminação correcta. Solicite informações sobre empresas de reciclagem e postos de colecta de lixo das autoridades locais ou do seu vendedor autorizado.

V Volts



Corrente contínua



Marca de Conformidade Europeia



Marca de Conformidade Britânica



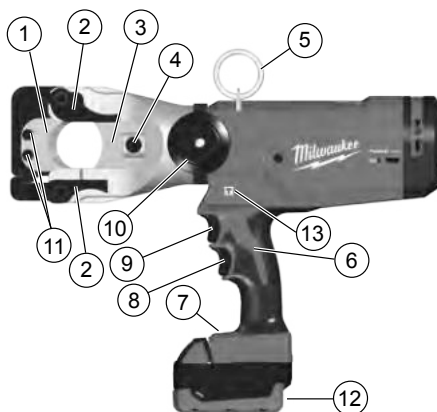
Marca de Conformidade Ucraniana



Marca de Conformidade Eurasiática



TECHNISCHE GEGEVENS	M18 HCC45
Draadsnijders	
Productienummer	4772 37 01... ... 000001-999999
Frequentieband	2402-2480 MHz
Radiofrequent vermogen	1,8 dBm
Spanning wisselakku	18 V
Nominale kracht	77,8 kN
Snijbereik Afhankelijk van type kabel	max. Ø 44 mm
ACSR: Aluminium-/Staalkabels Koper / Aluminium	
Gewicht volgens de EPTA-procedure 01/2014 (Li-Ion 2,0 Ah...9,0Ah)	6 kg...6,6 kg
Aanbevolen omgevingstemperatuur voor het bedrijf	-18°C ... +50°C
Aanbevolen accupacks	M18B...
Aanbevolen laadtoestellen	M12-18...
Geluids informatie	
Meetwaarden vastgesteld volgens EN 62841. Het kenmerkende A-gewogen geluidsniveau van de machine bedraagt:	
Geluidsdruk niveau (Onzekerheid K=3dB(A))	76,9 dB(A)
Geluidsvermogen niveau (Onzekerheid K=3dB(A))	87,9 dB(A)
Draag oorbeschermers!	
Trillings informatie	
Totale trillingswaarden (vectorsom van drie richtingebepaald volgens EN 62841.	
Trillingsmissiewaarde _h	1,2 m/s ²
Onzekerheid K=	1,5 m/s ²



Beschrijving van het apparaat

- | | |
|---------------------------------------|----------------------|
| ① Voorste blad | ⑦ Led |
| ② Ontgrendelingshendel
klauwen | ⑧ Loskoppelhendel |
| ③ Achterste blad | ⑨ Hendel |
| ④ Bevestigingsbout blad | ⑩ Extra handgreep |
| ⑤ Hanger | ⑪ 5 mm zeskantbouten |
| ⑥ Handgreep
Geïsoleerde handgrepen | ⑫ Accu |
| | ⑬ ONE KEY-indicator |

WAARSCHUWING!

De in deze aanwijzingen vermelde trillingsdruk is gemeten volgens een in EN 62841 genormeerde meetmethode en kan worden gebruikt voor de onderlinge vergelijking van apparaten. Hij is ook geschikt voor een voorlopige inschatting van de trillingsbelasting.

De aangegeven trillingsdruk geldt voor de meest gebruikelijke toepassingen van het elektrische apparaat. Wanneer het elektrische gereedschap echter voor andere doeleinden, met andere dan de voorgeschreven hulpstukken gebruikt of niet naar behoren onderhouden wordt, kan de trillingsdruk afwijken. Dit kan de waarde van de trillingsdruk over de hele werkperiode aanzienlijk verhogen. Voor een nauwkeurige inschatting van de trillingsdruk moeten ook de tijden in aanmerking worden genomen dat het apparaat uitgeschakeld is of weliswaar loopt, maar niet werkelijk in gebruik is. Dit kan de waarde van de trillingsdruk over de hele werkperiode aanzienlijk verminderen.

Bepaal extra veiligheidsmaatregelen ter bescherming van de bediener tegen de inwerking van trillingen, bijvoorbeeld: onderhoud van elektrische gereedschappen en apparaten, warmhouden van de handen, organisatie van de werkprocessen.

⚠ WAARSCHUWING Lees en bekijk alle veiligheidsaanwijzingen, aanwijzingen, afbeeldingen en gegevens die u bij het apparaat ontvangt. Als de waarschuwingen en voorschriften niet worden opgevolgd, kan dit een elektrische schok, brand of ernstig letsel tot gevolg hebben.

Bewaar alle waarschuwingen en voorschriften voor toekomstig gebruik.

⚠ VEILIGHEIDSAANWIJZINGEN VOOR KABELSNIJDERS

Om het risico op explosies, elektrische schokken en schade aan eigendommen en apparatuur te beperken, is het raadzaam om nooit onder spanning staande elektrische kabels door te knippen. Het gereedschap is NIET geïsoleerd.

Houd handen en losse kleding uit de buurt van snijwerktuigen en andere bewegende delen. Er bestaat een kans op ernstig letsel, waaronder het afsnijden van ledematen.

Veiligheidskleding zoals stofmasker, veiligheidshandschoenen, stevig en slipvast schoeisel, helm en gehoorbescherming worden aanbevolen.

Draag veiligheidsuitrusting. Draag altijd een veiligheidsbril wanneer u met de kabelknipper werkt.

Voorkom dat de kabelknipper onbedoeld in werking treedt.

Voordat u het apparaat aansluit op een verwijderbare accu, moet u er voor zorgen dat de hendel is beveiligd met een inschakelvergrendeling.

Houd de kabelknipper nooit vast aan de snijklauwen.

Controleer voor gebruik altijd of de snijklauwen scheuren vertonen of andere tekenen van slijtage.

Gebruik de kabelknipper, verwijderbare accu en oplader alleen als ze in technische perfecte staat zijn.

Laat beschadigingen onmiddellijk verhelpen in een geautoriseerde werkplaats.

Voor alle werkzaamheden aan de apparat de accu verwijderen.

De kabelknipper mag uitsluitend worden gebruikt als het knipgereedschap er is ingestoken.

Verwijder alle afstelgereedschappen en sleutels voordat u begint met knippen.

Om verwondingen te voorkomen mag u het gereedschap, de verwijderbare accu of de lader nooit in een vloeistof dopen of vloeistof in deze apparaten laten doordringen.

Houd de kabelknipper vast aan beide handgrepen.

Wisselakku's van het Akku-Systeem M18 alléén met laadapparaten van het Akku-Systeem M18 laden. Geen akku's van andere systemen laden.

Wisselakku's en laadapparaten niet openen en alleen in droge ruimtes opslaan. Tegen vocht beschermen.

Voorom brand, persoonlijk letsel of materiële schade door kortsluiting en dompel het gereedschap, de wisselaccu en het laadtoestel niet onder in vloeistoffen en waarborg dat geen vloeistoffen in de apparaten en accu's kunnen dringen. Corrosieve of geleidende vloeistoffen zoals zout water, bepaalde chemicaliën, bleekmiddelen of producten die bleekmiddelen bevatten, kunnen een kortsluiting veroorzaken.

WAARSCHUWING



Dit apparaat heeft een type knoepcel-lithiumbatterij. Een nieuwe of gebruikte batterij kan leiden tot ernstige interne verbrandingen en tot de dood in minder dan twee uur indien ingeslikt of in het lichaam geplaatst. Zet de deksel van het batterijvak altijd goed vast. Als het niet goed sluit, het apparaat stoppen, de batterij verwijderen en buiten bereik van kinderen houden. Als u denkt dat iemand een batterij heeft ingeslikt of op een andere manier in het lichaam heeft geplaatst, direct een arts raadplegen.

RESTERENDE GEVAREN

Voordat het knipproces begint, moet de locatie zijn afgezet in overeenstemming met de lokale regelgeving.

Knip alleen kabels door die zijn losgekoppeld van de stroomtoevoer!

Kabels mogen niet aan mechanische krachten worden blootgesteld.

Wanneer u niet handelt in overeenstemming met deze instructies, kan dit leiden tot zwaar letsel, dood, brand of andere schade aan eigendommen en resulteren in elektrische schokken, explosies en/of vlambogen.

Draag een veiligheidsbril!

VOORGESCHREVEN GEBRUIK VAN HET SYSTEEM

De draadsnijder is geschikt om spanningsloze geïsoleerd koperen, aluminium of ACSR-kabels (aluminium/staalkabels), staalkabels door te snijden, afhankelijk van het soort kabel.

Het snijden of scheiden van kabels met behulp van deze draadsnijder mag alleen door een gediplomeerd elektrotechnicus gebeuren.

De operator van deze kabelknipper moet zijn geïnstrueerd over de specifieke gevaren met betrekking tot het gebruik van deze kabelknipper en in de essentiële veiligheidsmaatregelen voordat hij of zij hiermee aan het werk gaat. Vervolgens moet deze training minimaal jaarlijks worden herhaald.

Het bedrijf dat het gebruikt moet:

- zorgen dat de bedieningshandleiding beschikbaar is voor de operator en
- zorgen dat de operator deze heeft gelezen en begrepen.



WAARSCHUWING Lees en bekijk alle veiligheidsaanwijzingen, aanwijzingen, afbeeldingen en gegevens die u bij het apparaat ontvangt. Als de waarschuwingen en voorschriften niet worden opgevolgd, kan dit een elektrische schok, brand of ernstig letsel tot gevolg hebben. **Bewaar alle waarschuwingen en voorschriften voor toekomstig gebruik.**

GEBRUIK

Indeling van het werkgebied

Voor begin van de werkzaamheden moeten de leidingen en kabels spanningsloos worden gemaakt en er moet worden gezorgd dat ze voor de duur van de werkzaamheden spanningsloos blijven.

Als niet absoluut kan worden gegarandeerd dat de kabel of geïsoleerde leiding is losgekoppeld, mogen er geen werkzaamheden worden uitgevoerd.

Lokale veiligheidsvoorschriften en -regels moeten altijd worden nageleefd.

Kabels mogen niet aan mechanische krachten worden blootgesteld en moeten eventueel worden beveiligd tegen ongecontroleerde bewegingen na het snijden.

Stel het apparaat niet aan regen bloot en gebruik dit niet in een vochtige of natte omgeving.

Vorbereidingen voor de kabelknipper en accu

Voorafgaand aan ieder gebruik:

- Inspecteer de kabelknipper op externe defecten
- Controleer het knipgereedschap op scheuren en andere tekenen van slijtage

Alleen gebruiken in perfecte conditie!

Voordat het knipproces begint, moet de accu capaciteit worden gecontroleerd: minimaal 33% (zie geïllustreerde beschrijving).

Mogelijk moet deze worden opgeladen voordat de werkzaamheden beginnen.

Vorbereidingen voor het knipproces

Maak de te snijden kabel vast en ondersteun deze om zo het risico op ongecontroleerde bewegingen te minimaliseren.

Met name bovengrondse leidingen en kabels kunnen ongecontroleerde bewegingen maken en daardoor letsel en/of schade toebrengen.

De snijkop moet in een hoek van 90° op de kabel staan, zodat deze zonder spanning in de geopende snijkop ligt en ongunstige afschuifkrachten worden vermeden.



WAARSCHUWING: Om het risico op explosies, elektrische schokken en schade aan eigendommen en apparaat te beperken, is het raadzaam om nooit onder spanning staande elektrische kabels door te knippen.

Het gereedschap is NIET geïsoleerd. Contact met een stroomcircuit onder spanning kan resulteren in zwaar letsel of de dood. Schakel de stroom uit voordat u begint met knippen. Knip nooit gas- of waterleidingen door. Houd de handen uit de buurt van alle snijdende oppervlakken en bewegende delen. Anders is er kans op ernstig letsel en zelfs verlies van ledematen.



Verwijder altijd de accu voordat u accessoires vervangt of verwijdt. Gebruik alleen accessoires die specifiek worden aanbevolen voor dit gereedschap. Andere accessoires kunnen een gevaar opleveren.

Om het risico op verwondingen te beperken is het raadzaam om een veiligheidsbril te dragen met zijschermen.

⚠ WAARSCHUWING: Om het risico op verwondingen te beperken, mag u alleen materialen knippen die geschikt zijn voor de bladen. (zie "Specificaties") Probeer geen andere materialen te knippen.

Knippen

• Controleer voor het knippen of de bladen correct geïnstalleerd zijn.

1. Voer de kabel loodrecht in de snijder van de draadsnijder. Probeer geen diagonale knip uit te voeren. Dit beschadigt het werkstuk en de bladen.
2. Grijp de handgreep of handgrepen stevig vast. Duw de hendel in en houd deze vast gedurende de gehele operatie. Er licht een ledlampje op wanneer de hendel wordt ingedrukt. Na het snijden of als het gereedschap uitschakelt, de ontgrendeling weer loslaten en de resetknop indrukken zodat de snijbek opent.

Handelingen bij storingen

- de kabel kan aangesneden zijn en onder spanning staan, altijd de veiligheidsfunctionaris informeren, het snijproces afbreken, passende veiligheidsmaatregelen inzetten
- Zorg er altijd voor dat het apparaat losgekoppeld is en blijft van de stroomtoevoer voordat u in de buurt komt en het apparaat aanraakt
- druk de resetknop in en houd deze ingedrukt tot de snijklaauwen volledig openen
- controleer de accucapaciteit
- controleer het materiaal en de dikte van het materiaal en vergelijk het met de gegevens op het technische gegevensblad
- Indien u mogelijk een onder spanning staande kabel hebt doorgeknipt, moet de kabelknipper worden gecontroleerd in een goedgekeurde specialistische werkplaats

Geblokkeerde bladen

Vuil en rommel kunnen er voor zorgen dat de bladen geblokkeerd raken na het knippen

- Druk de loskoppelhendel in en houd deze ingedrukt om te zorgen dat het gereedschap gereset is.
- Verwijder de accu.
- Volg de beeldbeschrijving voor het openen van de snijbek
- Verwijder alle vuil en rommel van de bladen voordat u aan een nieuwe knip begint.

Tips voor het knippen

- Probeer geen diagonale knip uit te voeren. Dit beschadigt het werkstuk en de bladen.
- Zorg dat de te knippen materialen schoon zijn voor een langere levensduur van de bladen. Veeg vuil en rommel van het materiaal en de bladen voordat u begint met knippen.

ONDERHOUD

Voor alle werkzaamheden aan de apparat de accu verwijderen.

Open de kabelknipper, verwijderbare accu of lader nooit.

Controleer de kabelknipper op eventuele problemen zoals geluid of vastlopen van bewegende delen die een negatieve uitwerking kunnen hebben op het gereedschap.

Controleer het knipgereedschap op scheuren en andere tekenen van slijtage.

Reinig en smeer het knipgereedschap nadat de werkzaamheden voltooid zijn.

Controleer of de snijdende oppervlakken scherp zijn en vervang afgesleten snijklaauwen.

Verwijder de bladen wanneer ze of gesplinterd zijn of beschadigd vertonen. Vervang de bladen altijd per set. Gebruik uitsluitend bladen van MILWAUKEE.

Controleer of het knipgereedschap vrij kan bewegen.

Om verwondingen te voorkomen mag u het gereedschap, de verwijderbare accu of de lader nooit in een vloeistof dopen of vloeistof in deze apparaten laten doordringen.

Altijd de luchtspleten van de machine schoonhouden.

Het apparaat bevat hydrauliekolie die een bedreiging vormt voor het grondwater. Ongecontroleerd afblazen of incorrecte afvalverwijdering kan worden bestraft.

Het apparaat moet iedere zes tot twaalf maanden een onderhoudsbeurt krijgen, afhankelijk van het gebruik.

U kunt meer informatie krijgen over het onderhoudsinterval via de app ONE-KEY.

Onderhouds- en reparatiewerkzaamheden mogen uitsluitend worden uitgevoerd in een geautoriseerde werkplaats.

Gebruik uitsluitend Milwaukee toebehoren en onderdelen. Indien componenten die moeten worden vervangen niet zijn beschreven, neem dan contact op met een officieel Milwaukee servicecentrum (zie onze lijst met servicecentra).

Onder vermelding van het nummer op het machineplaatje is desgewenst een doorsnedetekening van de machine verkrijgbaar bij: Techtronic Industries GmbH, Max-Eyth-Straße 10, 71364 Winnenden, Germany.

ONE-KEY™

Lees de meegeleverde snelstarthandleiding of surf naar <http://www.milwaukeeetool.com/one-key> om meer te weten te komen over de ONE-KEY functionaliteit van dit werktuig.

Van de App Store of Google Play kunt u de ONE-KEY app downloaden naar uw smartphone.

Wanneer elektrostatische ontlading ontstaat wordt de Bluetooth-communicatie verbroken en sluit de app-interface. De app kan 45 seconden niet worden gebruikt. Na 45 sec. moet de app worden gereset voor deze weer werkt." Wij hebben vastgesteld dat het resultaat binnen ons minimaal acceptabele prestatieniveau ligt volgens EN 301489-1/ EN 301489-17. Daarnaast geven wij de klanten in deze gebruikshandleiding informatie over het gebruik.

AKKU

Een temperatuur boven de 50°C vermindert de capaciteit van de accu. Langdurige verwarming door zon of hitte vermijden.

De aansluitcontacten aan het laadapparaat en de accu schoonhouden.

Voor een optimale levensduur moeten de accu's na het gebruik volledig opgeladen worden. Langere tijd niet toegepaste wisselakku's vóór gebruik altijd naladen.

Voor een zo lang mogelijke levensduur van de accu's dienen deze na het opladen uit het laadtoestel te worden verwijderd.

Bij een langere opslag van de accu dan 30 dagen,; accu bij ca. 27 °C droog bewaren,; accu bij ca. 30 % - 50 % van de laadtoestand bewaren,; accu om de 6 maanden opnieuw opladen.

Verbruikte accu's niet in het vuur of bij het huisvuil werpen. Milwaukee biedt namelijk een milieuvriendelijke recyclingmethode voor uw oude accu's.

Wisselakku's niet bij metalen voorwerpen bewaren (kortsluiting-gevaar!) .

TRANSPORT VAN LITHIUM-IONEN-ACCU'S

Lithium-ionen-accu's vallen onder de wettelijke bepalingen inzake het transport van gevaarlijke goederen.

Voor het transport van deze accu's moeten de lokale, nationale en internationale voorschriften en bepalingen in acht worden genomen.

Verbruikers mogen deze accu's zonder meer over de weg transporteren.

Het commerciële transport van lithium-ionen-accu's door expeditiebedrijven is onderhevig aan de bepalingen inzake het transport van gevaarlijke goederen. De verzendingsvoorbereidingen en het transport mogen uitsluitend worden uitgevoerd door dienovereenkomstig opgeleide personen. Het complete proces moet vakkundig worden begeleid.

Onderstaande punten moeten bij het transport van accu's in acht worden genomen:

Waarborg ter vermindering van kortsluitingen dat de contacten beschermd en geïsoleerd zijn. Let op dat het accupack in de verpakking niet kan verschuiven. Beschadigde of lekkende accu's mogen niet worden getransporteerd. Neem voor meer informatie contact op met uw expeditiebedrijf.

EC - VERKLARING VAN OVEREENSTEMMING

We verklaren geheel onder eigen verantwoordelijkheid dat het product in de "Technische data" voldoet aan alle relevante bepalingen van de richtlijnen

2011/65/EU RoHS, 2006/42/EG, 2014/53/ EU

en de volgende geharmoniseerde normen zijn gebruikt.

EN 62841-1:2015

EN 62479:2010

EN 55014-1:2017+A11:2020

EN 55014-2:2015

EN 301 489-1 V2.2.3

EN 301 489-17 V3.1.1

EN 300 328 V2.2.2

EN IEC 63000:2018



Winnenden, 2021-04-07

Alexander Krug / Managing Director
Gemachtigd voor samenstelling van de technische documenten
Techtronic Industries GmbH
Max-Eyth-Straße 10, 71364 Winnenden, Germany

SYMBOLLEN



Graag instructies zorgvuldig doorlezen vóórdat u de machine in gebruik neemt.



WAARSCHUWING!
Verwondingsgevaar door wegvliegende brokstukken



Bij het werken met de machine altijd een veiligheidsbril dragen.



Dit apparaat heeft een type knoopcel-lithiumbatterij.



Risico op een elektrische schok



OPGELET! WAARSCHUWING! GEVAAR!



Voor alle werkzaamheden aan de apparat de accu verwijderen.



Houd handen uit de buurt van snijwerktuigen en andere bewegende delen. Vingers kunnen in het snijmechanisme terechtkomen en worden geamputeerd of u kunt ander letsel aan de vingers oplopen.



Toebehoren - Wordt niet meegeleverd. Is apart leverbaar. Zie hiervoor het toebehorenprogramma.



Elektrische apparaten, batterijen en accu's mogen niet via het huisafval worden afgevoerd. Elektrische apparaten en accu's moeten gescheiden worden verzameld en voor een milieuvriendelijke afvoer worden afgegeven bij een recyclingbedrijf. Informeer bij uw gemeente of bij uw vakhandelaar naar recyclingbedrijven en inzamelpunten.



Spanning



Gelijkstroom



Europees symbool van overeenstemming



Brits symbool van overeenstemming



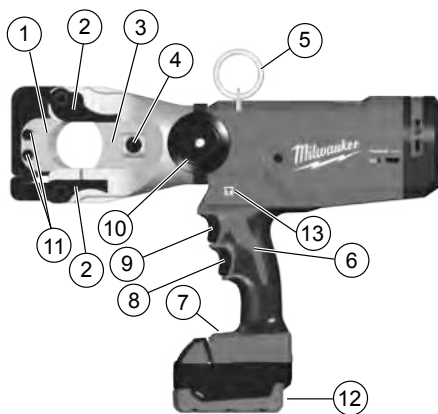
Oekraïens symbool van overeenstemming



Euro-Aziatisch symbool van overeenstemming



TEKNISKE DATA	M18 HCC45
Kabelskærer	
Produktionsnummer	4772 37 01... ... 000001-999999
Frekvensbånd	2402-2480 MHz
Radiofrekvenseffekt	1,8 dBm
Udkiftningsbatteriets spænding	18 V
Nominel kraft	77,8 kN
Skæremråde Afhænger af kabeltype	maks. Ø 44 mm
ACSR: Aluminium-/Stålwire Kobber / Aluminium	
Vægt svarer til EPTA-procedure 01/2014 (Li-Ion 2,0 Ah...9,0Ah)	6 kg...6,6 kg
Anbefalet omgivelsestemperatur til driften	-18°C... +50°C
Anbefalede batteripakker	M18B...
Anbefalede opladere	M12-18...
Støjinformation	
Måleværdier beregnes iht. EN 62841. Værktøjets A-vurderede støjniveau er typisk:	
Lydtrykniveau (Usikkerhed K=3dB(A))	76,9 dB(A)
Lydeffekt niveau (Usikkerhed K=3dB(A))	87,9 dB(A)
Brug høreværn!	
Vibrationsinformation	
Samlede vibrationsværdier (værdisum for tre retninger) beregnet iht. EN 62841.	
Vibrationseksponering _h	1,2 m/s ²
Usikkerhed K=	1,5 m/s ²



Apparatbeskrivelse

- | | |
|----------------------------------|----------------------|
| ① Klinge foran | ⑦ LED |
| ② Kæbe frigørelses-løftes-tænger | ⑧ Nulstil udløser |
| ③ Klinge bagved | ⑨ Udløser |
| ④ Fastholdelsesnål til klingen | ⑩ Ekstra håndtag |
| ⑤ Hænger | ⑪ 5 mm unbracoskruer |
| ⑥ Håndtag | ⑫ Batteri |
| Isolerede gribeblade | ⑬ ONE KEY indikator |

ADVARSEL!

Svingningsniveauet, som er angivet i disse anvisninger, er målt i henhold til standardiseret måleprocedure ifølge EN 62841 og kan anvendes til indbyrdes sammenligning mellem el-værktøjer. Svingningsniveauet er ligeledes egnet som foreløbigt skøn over svingningsbelastningen.

Det angivne svingningsniveau er baseret på el-værktøjets primære anvendelsesformål. Hvis el-værktøjet benyttes til andre formål, med andet indsatsværktøj eller ikke vedligeholdes tilstrækkeligt, kan svingningsniveauet afvige. Dette kan øge svingningsbelastningen over den samlede arbejdsperiode betydeligt.

For en nøjagtig vurdering af svingningsbelastningen skal der også tages højde for de tidsperioder, hvor apparatet er slukket, eller hvor apparatet kører, men uden at være i anvendelse. Dette kan reducere svingningsbelastningen over den samlede arbejdsperiode betydeligt. Supplerende sikkerhedsforanstaltninger til beskyttelse af brugeren mod påvirkninger fra svingninger skal iværksættes, f.eks.: Vedligeholdelse af el-værktøj og indsatsværktøj, varmholdelse af hænder, organisering af arbejdsprocesser.

ADVARSEL Læs alle sikkerhedsanvisninger, anvisninger, instruktioner og data, der følger med enheden. I tilfælde af manglende overholdelse af advarselshenvisningerne og instrukserne er der risiko for elektrisk stød, brand og/eller alvorlige kvæstelser.

Opbevar alle advarselshenvisninger og instrukser til senere brug.

SIKKERHEDSANVISNINGER FOR KABELSKÆRER

For at minimere risikoen for eksplosioner, elektrisk stød og skade på ejendom og udstyr, må der aldrig skæres i strømførende el-ledninger. Værktøjet er IKKE isoleret.

Hænder og løstsiddende tøj må ikke komme i nærheden af skæreværktøjer og andre bevægelige dele. Der er fare for alvorlig skade, herunder amputationer af lemmedele.

Vi anbefaler desuden brug af personlig beskyttelsesudrustning, såsom støvmaske, sikkerhedshandsker, fast og skridsikkert skotøj, hjelm og høreværn.

Brug beskyttelsesudstyr. Bær altid beskyttelsesbriller under arbejdet med kabelskæreren.

Undgå at kabelskæreren startes ved et tilfælde. Før udløseren tilsluttes til det aftagelige batteri, skal den være sikret vha. kontaktlåsen.

Grib aldrig kabelskæreren ved skærekæben.

Før brug skal skærekæben altid efterses for revner og andre tegn på slitage.

Brug kun kabelskæreren, det aftagelige batteri og opladeren, hvis deres tekniske tilstand er upåklagelig.

Lad straks beskadigede reparere på et autoriseret værksted.

Ved arbejde inden i maskinen, bør batteriet tages ud.

Kabelskæreren må kun anvendes med et indsat skæreværktøj.

Fjern alle justeringsværktøjer og nøgler før snittet skæres.

For at undgå person- eller materialeskade, må værktøjet, det aftagelige batteri eller opladeren aldrig dykkes ned i eller gennemtrænges af væske.

Hold kabelskæreren i begge håndtag.

Brug kun M18 ladeapparater for opladning af System M18 batterier.

Udskiftningsbatterier og opladere må ikke åbnes og skal opbevares i tørre rum. Beskyt dem mod fugtighed.

For at undgå risiko for brand, kvæstelser eller beskadigelse af produktet forårsaget af kortslutning må værktøjet, batteripakken eller opladeren ikke nedsænkes i vand. Sørg ligeledes for, at der ikke trænger væske ind i enhederne og batterierne. Korroderende eller ledende væsker, f.eks. saltvand, bestemte kemikalier, blegestoffer eller produkter, som indeholder blegestoffer, kan forårsage kortslutning.

ADVARSEL



Dette apparat indeholder et knapcelle litium batteri. Et nyt eller brugt batteri kan forårsage alvorlige indre forbrændinger og medføre døden på kun 2 timer, hvis det sluges eller kommer ind i kroppen. Batterihusets lukning skal altid være sikret. Hvis det ikke lukkes sikkert, stop apparatet, fjern batteriet og hold det udenfor børns rækkevidde. Hvis du har mistanke om, at nogen har slugt batteriet eller at det er kommet ind i kroppen på anden måde, skal du opsoge en læge med det samme.

RESTRISICI

Før skærep processen starter, skal adgangen afsperres i overensstemmelse med de lokale regler.

Skær kun kabler, som ikke er strømførende!

Kabler og wirer må ikke udsættes for nogen form for mekaniske kræfter.

Hvis denne henvisning ikke følges kan det føre til alvorlig personskade, død, brand eller anden skade på ejendom som følge af elektrisk stød, eksplosion og/eller buedannelser.

Brug beskyttelsesbriller.

TILTÆNKT FORMÅL

Kabelskæreren er velegnet til adskillelse af ikke-strømførte kabler af isoleret kobber eller aluminium, ACSR-wirer (aluminium/stålwirer), stålwirer, afhængigt af kabeltype.

Hv. skæring og adskillelse af kabler og wirer ved hjælp af denne kabelskærer må kun udføres af en elektroteknisk uddannet person. Operatøren af kabelskæreren skal være instrueret i de særlige farer, som er forbundet med brugen af kabelskæreren, samt i de grundlæggende sikkerhedsforanstaltninger, forud for arbejdet med den første gang og mindst en gang årligt efterfølgende.

Den driftsansvarlige virksomhed skal:

- sørge for, at operatøren har adgang til en brugermanual og
- sikre, at operatøren har læst og forstået den.



ADVARSEL Læs alle sikkerhedsanvisninger, anvisninger, instruktioner og data, der følger med enheden. I tilfælde af manglende overholdelse af advarselshenvisningerne og instrukserne er der risiko for elektrisk stød, brand og/eller alvorlige kvæstelser.

Opbevar alle advarselshenvisninger og instrukser til senere brug.

ANVENDELSE

Indretning af arbejdsområdet

Før arbejdets begyndelse skal det sikres, at kablerne eller wirerne ikke er tilsluttet til el-nettet, og at strømmen er afbrudt under hele arbejdet.

Hvis der er usikkerhed om, hvorvidt kablet eller den isolerede ledning er strømførende eller ej, må der ikke udføres noget arbejde. Lokale sikkerhedsforskrifter og regler skal følges under alle omstændigheder.

Kabler og wirer må ikke udsættes for mekaniske kræfter, og skal i givet fald sikres mod ukontrollerede bevægelser efter snittet.

Udsæt ikke værktøjet for regn. Brug ikke værktøjet i fugtige eller våde omgivelser.

Forberedelse af kabelskærer og batteri

Før hver brug:

- Undersøg kabelskæreren for ydre fejl
 - Eftersøg skæreværktøjet for revner og andre tegn på slitage
- Må kun bruges i upåklagelig tilstand!

Før der skæres, skal batteriets kapacitet kontrolleres: minimum 33% (se illustreret beskrivelse).

Det kan være nødvendigt at oplade før arbejdet begynder.

Forberedelse af skærep processen

Støt og fastgør kablet eller wireren, som skal skæres for at minimere risikoen for en ukontrolleret bevægelse.

Specielt frithængende kabler og wirer kan bevæge sig ukontrolleret og forårsage person- og/eller materialeskade.

Skærehovedet skal placeres i en 90° vinkel til kablet eller wireren, således at kablet eller wireren kan ligge i den åbne skærekæbe uden spænding, så uønskede forskydningskræfter undgås.



ADVARSEL: For at minimere risikoen for eksplosioner, elektrisk stød og skade på ejendom og udstyr, må der aldrig skæres i strømførende el-ledninger.

Værktøjet er IKKE isoleret. Kontakten til et kredsløb under strøm kan føre til alvorlig personskade eller død. Afbryd strømmen før der foretages et snit. Skær aldrig i gas eller vandledninger. Hold hænderne væk fra alle skæresider og bevægende dele. Fare for alvorlig personskade og amputation.

Fjern altid batteripakken før tilbehør udskiftes eller fjernes. Anvend kun tilbehør, som er specielt anbefalet til dette værktøj. Andet tilbehør kan være farligt.

Bær beskyttelsesbriller eller briller med sideafskærmning for at reducere risikoen for personskade.



ADVARSEL: For at minimere risikoen for personskade, må der kun skæres i materiale, som er anbefalet til klingerne. (se „Specifikationer“) Forsøg ikke at skære i andre materialer.

Skæring

- Før der skæres, skal det sikres, at klingerne er monteret korrekt.

1. Placer kablet, som skal bearbejdes, vinkelret ved kabelskæreren skæreenhed. Forsøg aldrig at lave skæve snit, da dette vil skade værktøj og klinger.

2. Hold fast om håndtaget/-ene.

Tryk og hold på udløseren under hele forløbet.

En LED lyser når udløseren trykkes.



Når et snit er gennemført eller værktøjet slukkes, slippes udløseren igen, og nulstillingskontakten trykkes, for at åbne skærekæben.

Forholdsregler i tilfælde af forstyrrelse

- Kablet kan være blevet snittet og være strømført, informér altid den sikkerhedsansvarlige, afbryd skæreprocessen, og indled de passende beskyttelsestiltag
- Vær altid sikker på, at kabelskæreren er og forbliver afbrudt fra el-nettet før apparatet nærmes og berøres
- Tryk og hold nulstillingsknappen indtil skæreren åbner helt
- kontrollér batterikapaciteten
- Sammenhold materiale og materialetykkelser med de tekniske data
- Hvis der er mistanke om, at en strømført kabel er blevet skåret, skal kabelskæreren efterses på et autoriseret specialværksted

Fastsiddende klinger

Snavs og rester kan forårsage, at klingerne sætter sig fast efter et snit

- Tryk og hold nulstillings udløseren for at sikre at værktøjet er nulstillet.
- Fjern batteripakken.
- Følg illustrationen for at åbne skærekæben
- Fjern snavs og rester fra klingerne før et nyt snit påbegyndes.

Skære Tips

- Forsøg aldrig at lave skæve snit, da dette vil skade værktøj og klinger.
- Skær i rent materiale for at forlænge klingernes levetid. Tør snavs og rester af materiale og klinger før der startes med at skære et snit.

VEDLIGEHOLDELSE

Ved arbejde inden i maskinen, bør batteriet tages ud.

Åben aldrig kabelskæreren, det aftagelige batteri eller oplader.

Eftersé kabelskæreren for problemer, som f.eks. larm eller bevægelige dele, som har sat sig fast, og derved kan påvirke værktøjet.

Eftersé skæreværktøjet for revner og andre tegn på slitage.

For at fuldende arbejdet rengøres og indsmøres skæreværktøjet.

Eftersé om skærekanterne er skarpe og udskift slidte skærekæber.

Udskift klingerne når de får revner eller skader. Udskift altid klingerne som et sæt. Brug kun MILWAUKEE klinger.

Eftersé om skæreværktøjet kan bevæges frit.

For at undgå person- og materialeskade, må værktøjet, det aftagelige batteri eller opladeren aldrig dykkes ned i eller gennemtrænges af væske.

Hold altid maskinens ventilationsåbninger rene.

Maskinen indeholder hydraulikolie, som er til fare for grundvandet. Ukontrolleret udtømming eller ukorrekt bortskaffelse er strafbart ved lov.

Apparatet bør komme til eftersyn hvert halv- eller helår, afhængigt af brugen.

Du kan få mere at vide om eftersynsintervallerne vha. ONE-KEY appen.

Service og reparationer må kun udføres af autoriserede serviceværksteder.

Brug kun Milwaukee-tilbehør og Milwaukee-reservedele.

Komponenter, hvor udkiftningsproceduren ikke er beskrevet, skal skiftes ud hos et Milwaukee-servicested (se brochure garanti/kundeserviceadresser).

Ved opgivelse af type nr. der er angivet på maskinens effektskilt, kan de rekvirere en reservedelstegning, ved henvendelse til: Techtronic Industries GmbH, Max-Eyth-Straße 10, 71364 Winnenden, Germany.

ONE-KEY™

For at læse mere om dette værktøjs ONE-KEY-funktion, læs venligst den medfølgende hurtiganvisning, eller besøg os på <http://www.milwaukeetool.com/one-key>

Du kan downloade ONE-KEY-app'en til din smartphone fra App Store eller Google Play.

Ved elektrostatiske afladninger, afbrydes Bluetooth kommunikationen og forbindelsen til app interfacen. Og den er en ikke-brugbar app i 45 sekunder. Efter 45 s, er en nulstilling af appen nødvendig for at blive klar igen." Vi anser resultatet for at være inden for rammerne af vores minimale acceptable ydelsesniveau i hht. EN 301489-1/ EN 301489-17. Og vi sørger for, at kunden får driftsvejledningen som del af vores brugervejledning.

BATTERI

Ved temperaturer over 50°C formindskes batteriets effekt. Undgå direkte sollys og stærk varme.

Tilslutningskontakterne på oplader og udkiftningsbatterier skal holdes rene.

For at opnå en optimal levetid skal de genopladelige batterier oplades fuldt efter brug. Udkiftningsbatterier, der ikke har været brugt i længere tid, efterlades inden brug.

For at sikre en så lang levetid som muligt skal batterierne tages ud af ladeaggregatet efter opladning.

Skal batterierne opbevares længere end 30 dage:, Temperatur ca. 27°C i tørre omgivelser., Opbevares ved ca. 30%-50% af ladetilstanden., Batteri skal genoplades hver 6. måned.

Opbrugte udkiftningsbatterier må ikke brændes eller kasseres sammen med alm. husholdningdaffald. Milwaukee har en miljørigtig bortskaffelse af gamle udkiftningsbatterier, henvend Dem til Deres forhandler.

Opbevar ikke udkiftningsbatterier sammen med metalgenstande fare for kortslutning.

TRANSPORT AF LITHIUM-BATTERIER

Lithium-batterier er omfattet af lovgivningen om transport af farligt gods.

Transporten af disse batterier skal ske under overholdelse af lokale, nationale og internationale regler og bestemmelser.

Forbrugere må transportere disse batterier på veje uden yderligere krav.

Den kommercielle transport af lithium-batterier ved speditjonsfirmaer er omfattet af reglerne for transport af farligt gods. Forberedelsen af forsendelse og transport må kun udføres af tilsvarende træned personer. Den samlede proces skal følges af fagfolk.

Følgende punkter skal overholdes ved transport af batterier:

Sørg for at kontakterne er beskyttet og isoleret for at forhindre kortslutninger. Sørg for at batteripakken ikke kan bevæge sig inden for emballagen. Beskadigede eller lækkende batterier må ikke transporteres. Kontakt dit speditjonsfirma for at få yderligere oplysninger.

CE-KONFORMITETSERKLÆRING

Vi erklærer som eneansvarlige, at produktet, som beskrives under „Tekniske data“, opfylder alle de relevante bestemmelser i direktiverne

2011/65/EU RoHS, 2006/42/EF, 2014/53/EU og følgende harmoniserede standarder er blevet anvendt.

EN 62841-1:2015

EN 62479:2010

EN 55014-1:2017+A11:2020

EN 55014-2:2015

EN 301 489-1 V2.2.3

EN 301 489-17 V3.1.1

EN 300 328 V2.2.2

EN IEC 63000:2018



Winnenden, 2021-04-07

Alexander Krug / Managing Director
Autoriseret til at udarbejde de tekniske dokumenter.
Techtronic Industries GmbH
Max-Eyth-Straße 10, 71364 Winnenden, Germany

SYMBOLER



Læs brugsanvisningen nøje før ibrugtagning.



ADVARSEL!

Fare for kvæstelser på grund af omkringflyvende fragmenter.



Når der arbejdes med maskinen, skal man have beskyttelsesbriller på.



Dette apparat indeholder et knapcelle litium batteri.



Fare for elektrisk stød



VIGTIGT! ADVARSEL! FARE!



Ved arbejde inden i maskinen, bør batteriet tages ud.



Hænder må ikke komme i nærheden af skæreværktøjet og andre bevægelige dele. Fingrene kan komme ind i skæremekanismen og kan blive skåret af eller beskadiges.



Tilbehør - Ikke inkluderet i leveringsomfanget, køb købes som tilbehør.



Elektrisk udstyr eller (genopladelige) batterier må ikke bortskaffes sammen med det almindelige husholdningsaffald. Elektrisk udstyr og genopladelige batterier skal indsamles særskilt og afleveres hos en genbrugsvirksomhed til en miljømæssig forsvarlig bortskaffelse. Spørg de lokale myndigheder eller din forhandler om genbrugsstationer og indsamlingssteder til sådant affald.

V Spænding

Jævnstrøm



Europæisk konformitetsmærke



Britisk konformitetsmærke



Ukrainsk konformitetsmærke



Eurasisk konformitetsmærke

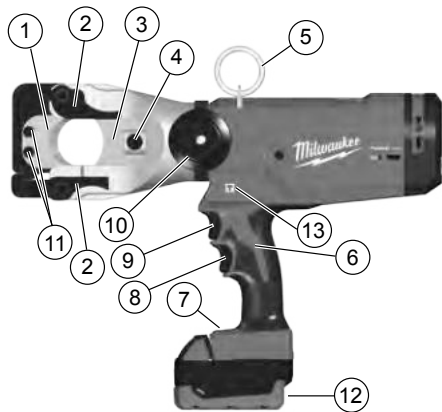


Dan

TEKNISKE DATA	M18 HCC45
Kabelkutter	
Produksjonsnummer	4772 37 01... ... 000001-999999
Frekvensbånd	2402-2480 MHz
Sendeeffekt	1,8 dBm
Spennning vekselbatteri	18 V
Nominell kraft	77,8 kN
Kutteområde Avhengig av type kabel	maks. Ø 44 mm
ACSR: Aluminium-/Ståltau Kobber / Aluminium	
Vekt i henhold til EPTA-Prosedyren 01/2014 (Li-Ion 2,0 Ah...9,0Ah)	6 kg...6,6 kg
Anbefalt omgivelsestemperatur for drift	-18°C... +50°C
Anbefalte batteripakker	M18B...
Anbefalte ladere	M12-18...
Støyinformasjon	
Måleverdier fastslått i samsvar med EN 62841. Det typiske A-bedømte støynivået for maskinen er:	
Lydtrykknivå (Usikkerhet K=3dB(A))	76,9 dB(A)
Brukeffektnivå (Usikkerhet K=3dB(A))	87,9 dB(A)
Bruk hørselsvern!	
Vibrasjonsinformasjoner	
Totale svingningsverdier (vektorsum fra tre retninger) beregnet jf. EN 62841.	
Svingningsemisjonsverdi _h	1,2 m/s ²
Usikkerhet K=	1,5 m/s ²



Nor



Beskrivelse av verktøyet

- | | |
|-------------------------|-----------------------|
| ① Fremre blad | ⑦ LED |
| ② Kjevefrigjøringspaker | ⑧ Utløser |
| ③ Bakre blad | ⑨ Starter |
| ④ Bladsikringsbolt | ⑩ Tillegghåndtak |
| ⑤ Henger | ⑪ 5 mm sekskantskruer |
| ⑥ Håndtak | ⑫ Batteri |
| Isolert gripplate | ⑬ ONE KEY-viser |

ADVARSEL!

Svingningsnivået som er angitt i denne instruksjonen er målt i overensstemmelse med målemetoden normert i direktiv EN 62841 og kan brukes til å sammenligne elektromaskiner med hverandre. Den egner seg også for en foreløbig vurdering av svingningsbelastningen.

Det angitte svingningsnivået representerer de hovedsaklige bruk av elektroverktøyet. Men anvendes elektroverktøyet for andre bruk med avvikende utskiftbare verktøy eller vedlikeholdet er utilstrekkelig, kan svingningsnivået være avvikende.

Dette kan forhøye svingningsbelastning betydelig over hele arbeidsperioden. For en nøyaktig vurdering av svingningsbelastningen må også det tas hensyn til tiden apparatet er avslått eller står på, men ikke er i bruk. Dette kan redusere svingningsbelastningen betydelig over hele arbeidsperioden.

Innfør også ekstra sikkerhets tiltak for å beskytte bruker mot utvirkingen av svingningene. Disse kan f.eks. være: vedlikehold av elektroverktøyet og det utskiftbare verktøyet, holde hendene varme, organisasjon av arbeidsforløpet.

⚠ ADVARSEL Les alle sikkerhetsanvisninger, instruksjer, bildeforklaringer og data som fulgte med maskinen. Feil ved overholdelse av advarslene og nedenstående anvisninger kan medføre elektriske støt, brann og/eller alvorlige skader.

Ta godt vare på alle advarslene og informasjonene.

⚠ SIKKERHETSANVISNINGER FOR KABELKUTTERE

For å redusere risikoen for en eksplosjon, elektrisk støt eller skade på eiendom og utstyr, skjær aldri i kabler med strøm. Verktøyet er IKKE isolert.

Hold hender og løstsittende klær unna kutteenheten og andre bevegelige deler. Det er fare for alvorlige skader, blant annet avklemt kroppsdeler.

Vernebekledning så vel som støvmaske, vernehansker, fast og sklissikkert skotøy, hjem og hørselsvern er anbefalt.

Bruk vernebekledning. Bruk alltid vernebriller når du arbeider med kabelkutteren.

Forhindre at kabelkutteren starter tilfeldig. Før du tilslutter et eksternt batteri, må du forsikre deg om at starteren er sikret med bryterlåsen.

Hold aldri kabelkutteren i kloen.

Før bruk må du alltid kontrollere at kloen ikke har hakk eller andre tegn til slitasje.

Kabelkutteren, det eksterne batteriet og laderen skal kun brukes så lenge de er i perfekt teknisk tilstand.

Skader skal med en gang repareres av et autorisert fagverksted.

Ta ut vekselbatteriet før du arbeider på maskinen

Kabelkutteren skal kun brukes med et innsatt kutteverktøy.

Fjern alle setteverktøy og skrunøkler før bruk.

For å forebygge skader eller ødeleggelser dypp aldri verktøyet, det eksterne batteriet eller laderen i væske eller la væske trenge inn i noen av delene.

Norsk

Hold kabelkutteren med begge håndtakene.

Vekselbatterier av systemet M18 skal kun lades med lader av systemet M18. Ikke lad opp batterier fra andre systemer.

Ikke åpne vekselbatterier og ladere, de skal oppbevares i tørre rom. Beskyttes mot fuktighet.

For å unngå fare for en brann forårsaket av en kortslutning, av personskader eller skader av produktet, må det forhindres at batteripakken eller laderen dryppes i væsker og også sørges for at ingen væsker kan komme inn i apparatene eller batteriene. Korroderende og ledende væsker som saltvann, visse kjemikalier og blekemidler eller produkt som inneholder blekemidler kan forårsake en kortslutning.

ADVARSEL



Apparatet bruker knapp/myntcelle lithiumbatteri. Et nytt eller brukt batteri kan forårsake indre forbrenninger eller døden innen kun 2 timer, dersom det svelges eller kommer inn i kroppen på annen måte. Dekselet til batteriboksen må alltid være sikret. Dersom det ikke er mulig å lukke boksen helt, stopp apparatet, fjern batteriet og oppbevare det utilgjengelig for barn. Dersom du har mistanke om, at noen har svelget batteriet eller at det på annen måte har kommet inn i kroppen, må du søke medisinsk hjelp umiddelbart.

RESTFARER

Før du begynner med kuttingen må området være sikret i henhold til lokale reguleringer.

Kutt aldri kabler som ikke er koblet fra strømforsyningen!

Kabler og wirer må ikke utsettes for mekanisk kraft.

Dersom disse instruksjonene ikke overholdes, kan dette føre til alvorlige skader, død, brann eller skade på eiendom som følge av elektrisk støt, eksplosjon og/eller lysbue.

Bruk vernebrille.

FORMÅLSMESSIG BRUK

Kabelkutteren egner seg til å kutte over spenningsfrie kabler i isolert kobber eller aluminium, ACSR-wirer (aluminium/stål-wire), ståltau, avhengig av kabeltypen.

Skjære eller kutte kabler eller wirer med kabelkutteren skal kun utføres av en person med elektroteknisk opplæring.

Brukeren av kabelkutteren må være informert om de spesielle farene forbundet ved bruk av kabelkutteren og om vesentlige sikkerhetsregler før kutteren tas i bruk. Deretter må brukeren informeres minst én gang årlig.

Den virkende bedriften må:

- gjøre bruksanvisningen tilgjengelig for brukeren og
- forsikre om at brukeren har lest og forstått den.



ADVARSEL Les alle sikkerhetsanvisninger, instruksjer, bildeforklaringer og data som fulgte med maskinen. Feil ved overholdelsen av advarslene og nedenstående anvisninger kan medføre elektriske støt, brann og/eller alvorlige skader. **Ta godt vare på alle advarslene og informasjonene.**

BRUK

Oppsett av arbeidsområdet

Før arbeidet begynner må en forsikre seg om at ledningene eller wirene ikke står under strøm, og at de ikke kan komme under strøm så lenge arbeidet pågår.

Dersom det ikke kan forsikres over enhver tvil at kablene eller isolerte linjer er frakoblet, må man ikke fortsette arbeidet.

Ta hensyn til lokale regler og forskrifter om sikkerhet.

Kabler og wirer må ikke utsettes for mekanisk kraft, og de må sikres mot ukontrollerte bevegelser etter at de er kuttet.

Ikke utsett verktøy for regn. Ikke bruk verktøy i fuktige eller våte omgivelser.

Forberedelser av kabelkutteren og batteriet

Før hver bruk:

- Kontroller kabelkutteren for eksterne mangler
- Kontroller at kutteverktøyet ikke har hakk eller andre tegn til slitasje

Kun til bruk i perfekt tilstand!

Før en begynner med kuttingen, må man sjekke batteriets kapasitet: minimum 33% (se illustrert beskrivelse).

Det er mulig at batteriet må lades før en begynner med arbeidet.

Forberedelser av kuttingen

Kabler og wirer som skal kuttes må støttes opp og festes for å minimere risikoen for ukontrollerte bevegelser.

Spesielt luftledning og wirer kan bevege seg ukontrollert og føre til personskader og/eller andre ødeleggelser.

Skjærehodet må holdes i en rett vinkel på kablen eller wiren, slik at de faller i de åpne gjengebakkene uten spenning og blir liggende. Slik unngås ugunstige skjærkrefter.



ADVARSEL: For å redusere risikoen for en eksplosjon, elektrisk støt eller skade på eiendom og utstyr, skjær aldri i kabler med strøm.

Verktøyet er IKKE isolert. Kontakt med en aktiv strømkrets kan føre til alvorlige skader eller døden. Skru av strømmen før du kutter. Kutt aldri i gassledninger eller vannrør. Hold fingrene unna alle skjærekanter og deler som beveger seg. Det kan føre til vevsskader og amputasjoner.

Ta alltid ut batteriet før du bytter eller fjerner tilleggsutstyr. Bruk kun tilleggsutstyr som er spesielt anbefalt for dette verktøyet. Annet utstyr kan være farlig.

For å minimere risikoen for skaler, bruk vernebriller eller briller med sideskyttelse.



ADVARSEL: For å minimere risikoen for skade, kutt kun materialer som er anbefalt for bladene. (se «spesifikasjoner») Ikke forsøk å kutte andre materialer.



Kutte

• Før kutting, kontroller at alle bladene er installert på riktig måte.

1. Legg kabelen i en rett vinkel i forhold til knivene på kabelkutteren. Ikke forsøk å lage et vinklet kutt. Dette vil ødelegge arbeidsstykket og bladene.

2. Ta et godt grep om håndtaket/håndtakene. Trekk og hold starteren hele tiden under jobben. Et LED-lys vil lyse når starteren trekkes opp.

Når kuttet er utført eller verktøyet er slått av, kan du slippe starteren. Start returbryteren, slik at gjengebakkene åpner seg.

OBS: Arbeidsstykket kan bevege seg noe under kuttingen.

Tiltak i tilfelle feil

- kabelen kan allerede ha et kutt og lede strøm. Informer alltid sikkerhetsansvarlig, avbryt arbeidet og begynn med passende sikrings tiltak
- Vær alltid sikker på at verktøyet er og vil forbli frakoblet fra strømforsyningen før du nærmer deg og berører verktøyet
- Trykk og hold tilbakestillsknappen til kabelkutteren åpnes helt
- kontroller batteriets kapasitet
- kontroller materialet og materialets tykkelse i forhold til tekniske data
- Dersom der er mistanke om at det er kuttet en kabel med strøm, må kabelkutteren kontrolleres av et verksted med en autorisert spesialist

Blokkerte blader

Smuss og produktrester kan blokkere bladene etter kuttingen

- Trykk og hold utløseren for å forsikre at verktøyet er tilbakestilt.
- Ta ut batteriet.
- Følg beskrivelsen på bildene for å åpne gjengebakkene
- Rengjør bladene for smuss og produktrester før du fortsetter med neste kutt.

Kuttetips

- Ikke forsøk å lage et vinklet kutt. Dette vil ødelegge arbeidsstykket og bladene.
- Kutt i rent materiale for å forlenge bladenes levetid. Tørk vekk smuss og produktrester fra materialet og bladene før du starter kuttingen.

VEDLIKEHOLD

Ta ut vekselbatteriet før du arbeider på maskinen

Du må aldri åpne kabelkutteren, det eksterne batteriet eller laderen.

Kontroller kabelkutteren for eventuelle problemer som lyder eller blokkering av bevegelige deler som kan påvirke verktøyet.

Kontroller at kutteverktøyet ikke har hakk eller andre tegn til slitasje.

Når jobben er fullført, må kutteverktøyet rengjøres og smøres.

Kontroller at skjærekantene er skarpe og skift kloen dersom den er slitt.

Skift blader når de har fått hakk eller er ødelagt. Skift alltid alle bladene samtidig. Bruk kun MILWAUKEE-blader.

Kontroller at kutteverktøyet kan beveges fritt.

For å forebygge skader eller ødeleggelse dypp aldri verktøyet, det eksterne batteriet eller laderen i væske eller la væske trenge inn i noen av delene.

Hold alltid luftenåpningene på maskinen rene.

Apparatet inneholder hydraulikkolje som er en fare for grunnvannet. Ukontrollerte utslipp eller usaksmessige deponering av oljen er straffbart.

Verktøyet må på service hver 6. til hver 12. måned, avhengig av hvor mye det er brukt.

Du kan lese mer om serviceintervall på ONE-KEY appen.

Vedlikeholds- og reparasjoner skal bare utføres av autoriserte fagverksteder.

Bruk kun Milwaukee tilbehør og Milwaukee reservedeler. Komponenter der utskifting ikke er beskrevet skal skiftes ut hos Milwaukee kundeservice (se brosjyre garanti/kundeserviceadresser).

Ved behov kan du be om en eksplosjonstegning av apparatet hos din kundeservice eller direkte hos Techtronic Industries GmbH, Max-Eyth-Straße 10, 71364 Winnenden, Germany. Oppgi maskintype og det nummeret på typeskiltet.

ONE-KEY™

Du kan lese mer om verktøyet ONE-KEY funksjonalitet på vedlagte hurtigstartanvisning eller besøk vår nettside på <http://www.milwaukeeool.com/one-key>.

Du kan også laste ned vår ONE-Key app til din smarttelefon fra App Store eller Google Play.

Når det oppstår en elektrostatisk utladning, blir Bluetooth-kommunikasjonen koblet fra og app-grensesnittet avsluttet. Og appen er ikke i bruk på 45 sekunder. Etter 45 s, må appen nullstilles for å bli gjenopprettet." Vi vurderte at resultatet er innenfor vårt minste akseptable ytelsesnivå i henhold til EN 301489-1/ EN 301489-17. Og vi kommer til å gi kunden en driftsveiledning i bruksanvisningen.

BATTERIER

En temperatur over 50°C reduserer vekselbatteriets kapasitet.

Unngå oppvarming i sol eller ved varmeovner (fyring) i lengre tid.

Hold tilkoplingskontaktene på lader og vekselbatteri rene.

For optimal holdbarhet må batteriene lades opp helt etter bruk.

Vekselbatterier som ikke er brukt over lengre tid skal etterlades før bruk.

For å sikre en lengst mulig brukstid av batteriene skal disse etter oppladning taes ut av laderen.

Ved lagring av batteriene lengre enn 30 dager, Lagre batteriet tørt ved ca. 27°C, Lagre batteriet ved en oppladningstilstand på ca. 30%-50%. Lade opp batteriet igjen etter 6 måneder.

Ikke kast brukte vekselbatterier i varmen eller husholdningssavfallet. Milwaukee tilbyr en miljøriktig deponering av gamle vekselbatterier; vennligst spør din fagforhandler.

Ikke oppbevar vekselbatterier sammen med metallgjenstander (kortslutningsfare).

TRANSPORT AV LITUM-ION-BATTERI

Litium-ion-batterier faller under de lovfestede forskriftene om transport av farlig gods.

Transporten av disse batteriene må rette seg etter lokale, nasjonale og internasjonale forskrifter og bestemmelser.

Forbruker har lov å transportere disse batteriene på gaten uten reglementering.

Den kommersielle transport av Litium-ion-batterier av spedisjonsfirma faller under bestemmelsene om transport av farlig gods. Forberedningene av forsendelsen og transport skal utelukkende gjennomføres av personer som har blitt skolert til dette. Hele prosessen skal følges opp av fagfolk.

Følgende punkter skal tas hensyn til ved transport:

Kontroller at kontaktene er beskyttet og isolert for å unngå kortslutninger. Pass på at batteripakken i forpakningen ikke kan skli fram og tilbake. Skadede eller batterier som lekker er det ikke lov å transportere. Ta kontakt med spedisjonsfirma for ytterlige henvisninger.

CE-SAMSVARERKLÆRING

Vi erklærer i alene ansvar at produktet beskrevet i „Teknisk data“ overensstemmer med alle relevante forskrifter til Eu direktiv 2011/65/EU RoHS, 2006/42/EC, 2014/53/ EU og de følgende harmoniserte normative dokumentene. fyrstikker EN 62841-1:2015
EN 62479:2010
EN 55014-1:2017+A11:2020
EN 55014-2:2015
EN 301 489-1 V2.2.3
EN 301 489-17 V3.1.1
EN 300 328 V2.2.2
EN IEC 63000:2018



Winnenden, 2021-04-07

Alexander Krug / Managing Director
Autorisert til å utarbeide den tekniske dokumentasjonen
Techtronic Industries GmbH
Max-Eyth-Strasse 10, 71364 Winnenden, Germany

SYMBOLER



Les nøye gjennom bruksanvisningen før maskinen tas i bruk.



ADVARSEL!
Fare for personskader på grunn av biter som slynges ut



Bruk alltid vernebrille når du arbeider med maskinen.



Apparatet bruker knapp/myntcelle lithiumbatteri.



Fare for elektrisk støt



OBS! ADVARSEL! FARE!



Ta ut vekselbatteriet før du arbeider på maskinen



Hold hendene unna kutteenheten og andre bevegelige deler. Fingrene kan komme i klem i kuttemekanismen og kappes av eller bli skadet på annen måte.



Tilbehør - inngår ikke i leveransen, anbefalt komplettering fra tilbehørsprogrammet.



Elektriske apparater, batterier/oppladbare batterier skal ikke kastes sammen med vanlig husholdningsavfall. Elektriske og elektroniske apparater og oppladbare batterier skal samles separat og leveres til miljøvennlig deponering hos en avfallsbedrift. Informer deg hos myndighetene på stedet eller hos din fagforhandler hvor det finnes recycling bedrifter og oppsamlingssteder.

V Volt

— — Likestrøm



Europeisk samsvarsmerke



Britisk samsvarsmerke



Ukrainsk samsvarsmerke

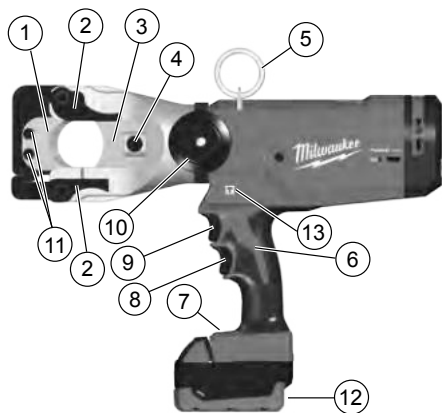


Euroasiatisk samsvarsmerke



Nor

TEKNISKA DATA	M18 HCC45
Kabelavbitare	
Produktionsnummer	4772 37 01... ... 000001-999999
Frekvensband	2402-2480 MHz
Radiofrekvenseffekt	1,8 dBm
Batterispänning	18 V
Nominell kraft	77,8 kN
Skärområde Beror på kabeltyp	max. Ø 44 mm
ACSR: Aluminium-/Stålvajrar Koppar / Aluminium	
Vikt enligt EPTA 01/2014 (Li-Ion 2,0 Ah...9,0Ah)	6 kg...6,6 kg
Rekommenderad omgivningstemperatur för driften	-18°C ... +50°C
Rekommenderade batterier (Akkupacks)	M18B...
Rekommenderade laddare	M12-18...
Bullerinformation	
Mätvärdena har tagits fram baserade på EN 62841. A-värdet av maskinens ljudnivå utgör:	
Ljudtrycksnivå (Onoggrannhet K=3dB(A))	76,9 dB(A)
Ljudeffektsnivå (Onoggrannhet K=3dB(A))	87,9 dB(A)
Använd hörselskydd!	
Vibrationsinformation	
Totala vibrationsvärden (vektorsumma ur tre riktningar) framtaget enligt EN 62841.	
Vibrationsemissionsvärden _n	1,2 m/s ²
Onoggrannhet K=	1,5 m/s ²



Enhetsbeskrivning

- | | |
|---------------------------------|---|
| ① Främre bladet | ⑦ LED |
| ② Spakar för att öppna käftarna | ⑧ Frigörningsavtryckare |
| ③ Bakre bladet | ⑨ Avtryckare |
| ④ Hållarstift | ⑩ Extra handtag |
| ⑤ Hällare | ⑪ 5 mm Skruvar med invändigt sexkanthål |
| ⑥ Handtag | ⑫ Batteri |
| Isolerad greppyta | ⑬ ONE KEY indikator |

VARNING!

Den i de här anvisningarna angivna vibrationsnivån har uppmätts enligt ett i EN 62841 normerat mätförfarande och kan användas vid jämförelse mellan olika elverktyg. Nivån är även lämplig att använda vid en preliminär bedömning av vibrationsbelastningen.

Den angivna vibrationsnivån representerar den huvudsakliga användningen av det aktuella elverktyget. Men om elverktyget ska användas i andra användningsområden, tillsammans med avvikande insatsverktyg eller efter otillräckligt underhåll, kan vibrationsnivån skilja sig. Det kan öka vibrationsbelastningen betydligt under hela arbetstiden.

För att få en exaktare bedömning av vibrationsbelastningen ska även den tid beaktas, under vilken elverktyget är avstängt eller är påslaget, utan att det verkligen används. Det kan reducera vibrationsbelastningen betydligt under hela arbetstiden.

Lägg som skydd för användaren fast extra säkerhetsåtgärder mot vibrationernas verkan, som till exempel: underhåll av elverktyg och insatsverktyg, varmhållning av händer och organisering av arbetsförlopp.

⚠️ VARNING Läs alla säkerhetsanvisningar, instruktioner, beskrivningar och uppgifter som du får tillsammans med apparaten. Fel som uppstår till följd av att anvisningarna nedan inte följs kan orsaka elstöt, brand och/eller allvarliga kroppsskador.

Förvara alla varningar och anvisningar för framtida bruk.

⚠️ SÄKERHETSANVISNINGAR FÖR KABELAVBITARE

För att minska risken för explosioner, elektriska stötar och egendoms- och utrustningsskador, skär aldrig av elförande elektriska kablar. Verktöget är INTE isolerat.

Håll händer och löst sittande kläder borta från skärverktyg och andra rörliga delar. Det finns en risk för allvarlig skada, vilket inkluderar avslitning av armar och ben.

Som skyddsutrustning rekommenderar vi t ex en dammskyddsmask, skyddshandskar, stabila och halksäkra skor, hjälm och hörselskydd.

Använd skyddsutrustning. Använd alltid skyddsglasögon när du arbetar med kabelsaxen.

Förhindra oavsiktlig start av kabelsaxen. Innan du ansluter till ett löstagbart batteri, försäkra dig om att avtryckaren är säkrad med knapplåset.

Håll aldrig i kabelsaxen i skärbladen.

Innan användning, kontrollera alltid skärbladen för sprickor och andra tecken på slitage.

Använd endast kabelsaxen, löstagbart batteri och laddare om de är i tekniskt felfritt skick.

Kontakta omedelbart en auktoriserad fackverkstad för reparation om produkten skulle vara skadad.

Drag ur batteripaket innan arbete utföres på maskinen.

Kabelsaxen kan endast användas med ett insatt skärverktyg.

Ta bort eventuellt inställningsverktyg och skiftnycklar innan du skär.

För att undvika person- eller materialskador doppa aldrig verktyget, det löstagbara batteriet eller laddaren i vätska och låt inte vätska penetrera dessa.

Håll i kabelsaxen i båda handtagen.

System M18 batterier laddas endast i System M18 laddare. Ladda inte batterier från andra system.

Batterier lagras torrt och skyddas för fukt.

För att undvika den fara för brand, personskador eller produktskador som orsakas av en kortslutning, doppa inte ner verktyget, utbytesbatteriet eller laddaren i vätskor och se till att ingen vätska kan tränga in i apparaterna eller batterierna. Korroderande eller ledande vätskor, som saltvatten, vissa kemikalier, blekningsmedel eller produkter som innehåller blekmedel, kan orsaka en kortslutning.

VARNING



Denna anordning innehåller ett litium knappcells-batteri. Ett nytt eller använt batteri kan orsaka allvarliga inre brännskador och leda till döden på endast 2 timmar om det sväljs eller kommer in i kroppen. Säkra alltid batterifacket lock. Om det inte stänger ordentligt, stanna anordningen, ta ut batteriet och håll det utom räckhåll för barn. Uppsök omedelbart läkare om du tror att någon har sväljt batteriet eller det har kommit in i kroppen på annat sätt.

KVARTSTÄENDE RISKER

Innan skärprocessen påbörjas måste området avskärmas i enlighet med lokala föreskrifter.

Skär endast av kablar som har kopplats bort från strömförsörjningen!

Kablar och linor får inte vara utsatta för mekaniska belastningar.

Underlåtenhet att efterkomma denna anvisning kan leda till allvarliga personskador, dödsfall, brand och annan skada på egendom till följd av elektriska stötar, explosion och/eller elbögar.

Använd skyddsglasögon.

ANVÄND MASKINEN ENLIGT ANVISNINGARNA

Kabelavbitaren lämpar sig för att kapa spänningslösa kablar av isolerad koppar eller aluminium, ACSR-vajrar (aluminium/ställinor), stålvajrar, beroende på typ av kabel.

Att skära resp. kapa kablar och vajrar med hjälp av denna kabelavbitare får endast utföras av en person med utbildning i elektroteknik.

Operatören av denna kabelsax måste utbildas i de särskilda faror som är förknippade med att använda denna kabelsax och i grundläggande säkerhetsåtgärder innan arbete med den för första gången och minst en gång per år därefter.

Driftsbolaget måste:

- göra bruksanvisningen tillgänglig för operatören och
- säkerställa att operatören har läst och förstått den.



VARNING Läs alla säkerhetsanvisningar, instruktioner, beskrivningar och uppgifter som du får tillsammans med apparaten. Fel som uppstår till följd av att anvisningarna nedan inte följts kan orsaka elstöt, brand och/eller allvarliga kroppsskador.

Förvara alla varningar och anvisningar för framtida bruk.

ANVÄNDNING

Uppställning av arbetsområdet

Innan arbetet påbörjas måste ledningarna eller kabelna göras spänningslösa och säkras för den tid som arbetena pågår.

Om det inte kan säkerställas bortom allt tvivel att kabeln eller den isolerade linjen har fränkopplats kan inget arbete utföras.

Lokala säkerhetsföreskrifter och bestämmelser måste under alla omständigheter beaktas.

Kablar och linor får inte vara utsatta för mekaniska belastningar och måste eventuellt säkras mot okontrollerade rörelser efter kapningen.

Utsätt inte verktyg för regn. Använd inte verktyg i fuktiga eller våta utrymmen.

Förberedelse av kabelsax och batteri

Innan varje användning:

- Inspektera kabelskäraren för externa defekter
- Kontrollera skärverktyget för sprickor och andra tecken på slitage

Använd endast vid perfekt skick!

Innan skärprocessen påbörjas måste batterikapaciteten kontrolleras: minst 33 % (se illustrerad beskrivning).

Det kan kräva laddning innan arbetet påbörjas.

Förberedelse för skärprocessen

Stötta och fixera den kabel eller lina som ska kapas för att minimera risken för en okontrollerad rörelse.

I synnerhet kan luftledningarna och linor okontrollerat hamna i rörelse och orsaka personskador och/eller materiella skador.

Skärhuvudet måste läggas an mot kabeln eller linan i en vinkel på 90°, så att denna ligger utan spänning i de öppnade kåftarna och man undviker oegynnsamma skjuvkrafter.



VARNING: För att minska risken för explosioner, elektriska stötar och egendoms- och utrustningsskador, skär aldrig av elförande elektriska kablar.

Verktyget är **INTE isolerat**. Kontakt med en strömförande krets kan leda till allvarliga skador eller dödsfall. Stäng av strömmen innan du skär. Skär aldrig gas- eller vattenledningar. Håll händerna borta från alla skäreppor och rörliga delar. Skärsår eller amputation kan förekomma.

Ta alltid ur batteriet innan du ändrar eller tar bort tillbehör. Använd endast tillbehör som specifikt rekommenderas för detta verktyg. Andra kan vara farliga.

För att minska risken för personskador, använd skyddsglasögon eller glasögon med sidoskydd.



VARNING: För att minska risken för personskador, skär endast i material rekommenderade för bladen. (se "Specifikationer") Försök inte att skära i andra material.

Skärning

• Innan du skär, försäkra dig om att bladen är korrekt installerade.

1. För kabeln i rätt vinkel mot kabelavbitarens egg. Försök inte göra vinklade skärningar eftersom det kommer att skada arbetsstycket och bladen.



2. Greppa handtaget/handtagen ordentligt. Flytta skjutreglaget till olåst läge. Dra och håll in avtryckaren under operationen.

Ett LED-ljus kommer att tändas när avtryckaren trycks in. När kapningen utförts eller verktyget stängs av, släpper du åter avtryckaren och trycker på återställningsknappen för att öppna kåftarna.

Observera: Arbetsstycket kan röra sig något under skärningen.

Åtgärder vid fel

- kabeln kan vara skuren och spänningsförande, informera alltid säkerhetsansvarig, avbryt kapningen, vidta lämpliga säkerhetsåtgärder
- Säkerställ alltid att enheten är och fortsätter vara frånkopplad från strömförsörjningen innan du närmar dig eller rör vid enheten
- Tryck och håll in återställningsknappen tills bladen öppnar sig helt
- kontrollera batterikapaciteten
- kontrollera material och materialjocklek mot den tekniska datan
- Om man misstänker att en strömförande kabel har skurits av måste kabelsaxen inspekteras i en auktoriserad verkstad



Blad som fastnat

Smuts och skräp kan orsaka att bladen fastnar i varandra efter en skärning

- Tryck och håll in frigöringsavtryckaren för att säkerställa att verktyget är återställt.
- Ta bort batteriet.
- Följ beskrivningen på bilderna för att öppna kåftarna
- Ta bort eventuell smuts och eventuell skräp från bladen innan du påbörjar nästa skärning.

Skärtings

- Försök inte göra vinklade skärningar eftersom det kommer att skada arbetsstycket och bladen.
- Skär rena material för att förlänga bladens livslängd. Torka bort smuts och skräp från material och blad innan du påbörjar skärning.

SKÖTSEL

Drag ur batteripaket innan arbete utföres på maskinen.

Öppna aldrig kabelsaxen, det utbytbara batteriet eller laddaren.

Kontrollera kabelsaxen för eventuella problem såsom oljud eller att rörliga delar fastnar vilket kan påverka verktyget.

Kontrollera skärverktygen för sprickor och andra tecken på slitage.

Vid slutförandet av arbetet, rengör och smörj skärverktyget.

Kontrollera att skärkanterna är vassa och ersätt slitna skärblad.

Ersätt bladen när de har sprickor eller har skadats. Ersätt alltid knivarna som ett set. Använd endast MILWAUKEE-blad.

Kontrollera att skärverktygen kan röra sig fritt.

För att undvika person- eller materialskador doppa aldrig verktyget, det löstagbara batteriet eller laddaren i vätska och låt inte vätska penetrera dessa.

Se till att motorhöljets luftslitsar är rena.

I apparaten finns hydraulolja som är farlig för grundvattnet. Det är straffbart att tappa av hydraulolja okontrollerat eller att ta hand om den som avfall på annat än föreskrivet sätt.

Enheten ska servas var sjätte till tolfte månad, beroende på användning.

Du kan ta reda på mer om serviceintervaller via ONE-KEY-appen.

Underhållsarbeten och reparationer får endast utföras på auktoriserade fackverkstäder.

Använd endast Milwaukee-tillbehör och Milwaukee-reservdelar. Komponenter, för vilka inget byte beskrivs, skall bytas ut hos Milwaukee-kundtjänst (se broschyren garanti-/kundtjänstadresser).

Vid behov av sprängskiss, kan en sådan, genom att uppges maskinens art, nr. (som finns på typskylten) erhållas från: Techtronic Industries GmbH, Max-Eyth-Straße 10, 71364 Winnenden, Germany.

ONE-KEY™

Läs medföljande snabbvägledning eller besök oss på Internet på <http://www.milwaukeetool.com/one-key>, för att få reda på mer om ONE-KEY-funktionen hos det här verktyget.

Du kan ladda ner ONE-KEY-appen till din smarttelefon via App Store eller Google Play.

Vid elektrostatisk urladdning, kommer Bluetooth-förbindelsen att avbrytas och App-gränssnittet att utgå. Och den används inte app i 45 sekunder. Efter 45 sekunder, behöver den återställa APP för att svalna. Vi anser att resultatet håller sig inom vår minimigräns för acceptabel prestandanivå enligt EN 301489-1/ EN 301489-17. Och vi kommer att ge kunden en handledning för drift i bruksanvisningen.

BATTERIER

En temperatur över 50°C reducerar batteriets effekt. Undvik längre uppvärmning tex i solen eller nära ett element.

Se till att anslutningskontakterna i laddaren och på batteriet är rena.

För att batterierna ska få lång livslängd ska de laddas fulla efter användning. Batteri som ej använts på länge måste laddas före nytt bruk.

För att få en så lång livslängs som möjligt bör laddningsbara batterier avlägsnas från laddaren när de är laddade.

Om laddningsbara batterier lagras längre än 30 dagar, Lagra batteriet torrt och vid ca 27°C, Lagra batteriet vid ca 30%-50% av laddningskapaciteten., Ladda batterierna på nytt var 6:e månad. Kasta inte förbrukade batterier. Lämna dem till Milwaukee Tools för återvinning.

Förvara ej batteriet ihop med metallföremål, kortslutning kan uppstå.

TRANSPORTERA LITIJUMJON-BATTERIER

För litiumjon-batterier gäller de lagliga föreskrifterna för transport av farligt gods på väg.

Därför får dessa batterier endast transporteras enligt gällande lokala, nationella och internationella föreskrifter och bestämmelser.

Konsumenter får transportera dessa batterier på allmän väg utan att behöva beakta särskilda föreskrifter.

För kommersiell transport av litiumjon-batterier genom en speditorsfirma gäller emellertid bestämmelserna för transport av farligt gods på väg. Endast personal som känner till alla tillämpliga föreskrifter och bestämmelser får förbereda och genomföra transporten. Hela processen ska följas upp på fackmässigt sätt.

Följande ska beaktas i samband med transporten av batterier:

Säkerställ att alla kontakter är skyddade och isolerade för att undvika kortslutning. Se till att batteripacken inte kan glida fram och tillbaka i förpackningen. Transportera aldrig batterier som läcker, har runnit ut eller är skadade. För mer information vänligen kontakta din speditorsfirma.

CE-FÖRSÄKRAN

Vi tar på vårt ansvar att produkten som har beskrivits under Tekniska data uppfyller alla relevanta villkor i direktiven 2011/65/EU RoHS, 2006/42/EG, 2014/53/EU samt att följande harmoniserade standarder har använts.

EN 62841-1:2015

EN 62479:2010

EN 55014-1:2017+A11:2020

EN 55014-2:2015

EN 301 489-1 V2.2.3

EN 301 489-17 V3.1.1

EN 300 328 V2.2.2

EN IEC 63000:2018



Winnenden, 2021-04-07

Alexander Krug / Managing Director
Befullmäktigad att sammanställa teknisk dokumentation.
Techtronic Industries GmbH
Max-Eyth-Straße 10, 71364 Winnenden, Germany

SYMBOLER



Läs instruktionen noga innan du startar maskinen.



WARNING!
Skaderisk på grund av ivägflygande brottstycken



Använd alltid skyddsglasögon.



Denna anordning innehåller ett litium knappcells batteri.



Risk för elektrisk stöt



OBSERVERA! WARNING! FARA!



Drag ur batteripaket innan arbete utföres på maskinen.



Håll händer borta från skärverktyg och andra rörliga delar. Fingrar kan komma in i skärmekanismen och skäras av eller skadas.



Tillbehör - Ingår ej i leveransomfånget, erhålles som tillbehör.



Elektriska maskiner, batterier/uppladdningsbara batterier och får inte slängas tillsammans med de vanliga hushållsoporna. Elektriska maskiner och uppladdningsbara batterier ska samlas separat och lämnas till en avfallsstation för miljövänlig avfallshantering. Kontakta den lokala myndigheten respektive kommunen eller fråga återförsäljare var det finns speciella avfallsstationer för elskrot.

V Volts



Likström



Europeiskt konformitetsmärke



Britiskt konformitetsmärke



Ukrainskt konformitetsmärke



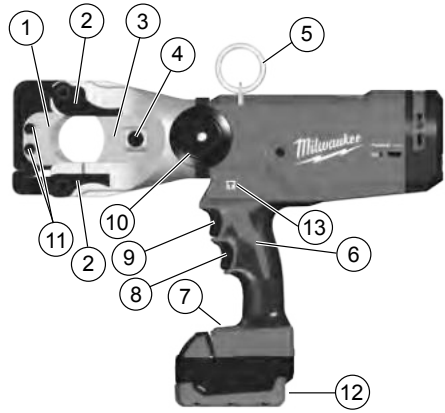
Euroasiatiskt konformitetsmärke



TEKNISET ARVOT	M18 HCC45
Johtoleikkuri	
Tuotantomuoto	4772 37 01... ... 000001-999999
Radiotaajuus	2402-2480 MHz
Lähetysteho	1,8 dBm
Jännite vaihtoakku	18 V
Nimellisvoima	77,8 kN
Leikkausalottuvuus Kaapelityypin mukaan	maks. Ø 44 mm
ACSR: Alumiini-/Vaijerit Kupari / Alumiini	
Paino EPTA-menetelystä 01/2014 mukaan (Li-Ion 2,0 Ah...9,0Ah)	6 kg...6,6 kg
Suosittelun ympäristön lämpötila käytön aikana	-18°C ... +50°C
Suosittelut akkusarjat	M18B...
Suosittelut latauslaitteet	M12-18...
Melunpäästötiedot	
Mitta-arvot määritetty EN 62841 mukaan. Koneen tyyppillinen A-luokitettu melutaso:	
Melutaso (Epävarmuus K=3dB(A))	76,9 dB(A)
Äänenvoimakkuus (Epävarmuus K=3dB(A))	87,9 dB(A)
Käytä kuulosuojaimia!	
Tärinätiedot	
Värähtelyn yhteisarvot (kolmen suunnan vektorisummitattuna EN 62841 mukaan.	
Värähtelyemissioarvo _h	1,2 m/s ²
Epävarmuus K=	1,5 m/s ²



Suo



Laitteen kuvaus

- | | |
|-------------------------|------------------------|
| ① Etutera | ⑦ LED |
| ② Leuan vapautusvipu | ⑧ Vapautin |
| ③ Takatera | ⑨ Liipaisin |
| ④ Terän kiinnitystappi | ⑩ Tukikahva |
| ⑤ Kannatin | ⑪ 5 mm kuusiokoloruuvi |
| ⑥ Käsikahva | ⑫ Akku |
| Eristetty tarttumapinta | ⑬ ONE KEY -merkkivalo |

VAROITUS!

Näissä ohjeissa mainittu värähtelytaso on mitattu EN 62841-standardin mukaisella mittausmenetelmällä ja sitä voidaan käyttää sähkötyökalujen vertaamiseen. Sitä voidaan käyttää myös värähtelyrasituksen väliaikaiseen arviointiin.

Mainittu värähtelytaso edustaa sähkötyökalun pääasiallista käyttöä. Jos sähkötyökalua kuitenkin käytetään muihin tehtäviin, poikkeavin työkaluun tai riittämättömästi huoltaen, värähtelytaso voi olla erilainen. Se voi korottaa värähtelyrasitusta koko työajan osalta.

Tarkan värähtelyrasituksen toteamiseen tulee ottaa huomioon aika, jona laite on kytketty pois tai on kylläkin päällä, mutta ei käytössä. Se voi pienentää värähtelyrasitusta koko työajan osalta.

Määrittele lisävarusteita käyttäjän suojaamiseksi värinöiden vaikutukselta, kuten esimerkiksi: sähkötyökalujen ja käyttötyökalujen huolto, käsien lämpimänä pitäminen, työväiteiden organisaatio.

VAROITUS Lue kaikki varoitoimenpiteet, ohjeet, kuvalliset esitykset ja tiedot, jotka toimitetaan laitteen mukana. Turvallisuusohjeiden noudattamisen laiminlyönti saattaa johtaa sähköiskuun, tulipaloon ja/tai vakavaan loukkaantumiseen. **Säilytä kaikki turvallisuus- ja muut ohjeet tulevaisuutta varten.**

VAROITUS! JOHTOLEIKKURIA KOSKEVAT VAROITTOIMENPITEET

Älä koskaan leikkaa sähköjohtoja, joissa on jännitettä. Näin välttytään räjähdyksiltä, sähköiskulta ja omaisuusvahingoilta. Työkalu EI ole eristetty.

Älä laita käsiä tai päätä väljää vaateista leikkuriin ja muihin liikkuviin osiin. Vakava loukkaantumisvaara, mukaan lukien raajojen irtileikkautuminen.

Suosittelomme suojavausteiden käyttöä, näihin kuuluvat pölysuojanaamari, työkasineet, tukevat, luistamattomat jalkineet, kypärä ja kuulosuojukset.

Käytä suojavausteita. Käytä aina suojaalaseja, kun työskentelet kaapelileikkurilla.

Vältä käynnistämästä kaapelileikkuria vahingossa. Varmista, että liipaisin on varmistettu lukituskytkimellä ennen kuin liität laitteeseen irrotettavan akun.

Älä koskaan tartu kaapelileikkuriin kidoista.

Tarkista laitteen kidat aina halkeamilta tai muilta kulumilta ennen käyttöä.

Käytä kaapelileikkuria, irrotettavaa akkua ja laturia vain teknisesti moitteettomassa kunnossa.

Anna valtuutetun alan ammattikorjaamon korjata vauriot heti.

Ota akku pois ennen kaikkia koneeseen tehtäviä toimenpiteitä.

Kaapelileikkuria voi käyttää ainoastaan, kun siihen on asennettu leikkutyökalu.

Irrota kaikki säätötyökalut ja kiintoavaimet ennen leikkuuta.

Älä koskaan upota laitetta, irrotettavaa akkua tai laturia nesteeseen tai anna nesteen päästä niihin loukkaantumisten ja vahinkojen välttämiseksi.

Pidä kaapelileikkuria kaksin käsin.

Käytä ainoastaan System M18 latauslaitetta System M18 akkujen lataukseen. Älä käytä muiden järjestelmien akkuja.

Vaihtoakkuja ja latauslaitteita ei saa avata. Säilytys vain kuivissa tiloissa. Suojattava kosteudelta.

Jotta vältetään lyhytsulun aiheuttama tulipalon, loukkaantumisen tai tuotteen vahingoittumisen vaara, älä koskaan upota työkalua, vaihtoakkuja tai latauslaitetta nesteeseen ja huolehdi siitä, ettei mitään nesteitä pääse tunkeutumaan laitteiden tai akkujen sisään. Syövyttävät tai sähköä johtavat nesteet, kuten suolavesi, tietyt kemikaalit ja lalkaisuaineet tai valkaisuaineita sisältävät tuotteet voivat aiheuttaa lyhytsulun.

VAROITUS



Tämä laite sisältää litium-nappipariston. Uusi tai käytetty akku voi aiheuttaa vakavia sisäisiä palovammoja ja johtaa kuolemaan alle kahdessa tunnissa, jos se niellään tai joutuu jollakin muulla tavalla kehoon. Kiinnitä aina paristolokeron kansi. Jos se ei sulkeudu turvallisesti, pysäytä laite, poista akku ja pidä se lasten ulottumattomissa. Jos epäilet, että jokin henkilö on niellyt akun tai että se on joutunut jollakin muulla tavalla kehoon, tämän henkilön täytyy hakeutua välittömästi lääkäriin hoitoon.

JÄÄMÄRISKIT

Pääsy paikalle on estettävä paikallisia määräyksiä noudattamalla ennen kuin leikkuutyöt aloitetaan.

Leikkaa vain kaapeleita, jotka ovat jännitteettömiä!

Kaapeleita ja vajereita ei saa altistaa mekaanisille voimille.

Tämän ohjeen noudattamatta jättäminen voi johtaa vakaviin vammoihin, kuolemaan, tulipaloon tai muihin omaisuusvahinkoihin, jotka seuraavat sähköiskusta, räjähdyksestä ja/tai sähkövälokalasta.

Käytä suojalaseja.

TARKOITUKSEN MUKAINEN KÄYTTÖ

Kaapelileikkuri soveltuu jännitteettömien, eristettyä kuparista tai alumiinista valmistettujen kaapeleiden, ACSR-vajereiden (alumiini-/teräsvajerit), teräsvajereiden leikkaamiseen, kulloinkin riippuen kaapelin tyypistä.

Vain sähkötekniistä koulutusta saaneet henkilöt saavat leikata kaapeleita ja vajereita tämän kaapelileikkurin avulla.

Kaapelileikkurin käyttäjä on ohjeistettava erityisesti vaaratilanteista, jotka liittyvät kaapelileikkurin käyttöön, sekä olennaisista turvallisuutta koskevista toimenpiteistä ennen ensimmäistä työskentelykertaa laitteella sekä vähintään kerran vuodessa tämän jälkeen.

Laitteen omistajan on:

- annettava laitteen käyttöohje käyttäjän käyttöön
- varmistettava, että laitteen käyttäjä on lukenut ja ymmärtänyt käyttöohjeen sisällön.



VAROITUS Lue kaikki varoimenpiteet, ohjeet, turvalliset esitykset ja tiedot, jotka toimitetaan laitteen mukana. Turvallisuusohjeiden noudattamisen laiminlyönti saattaa johtaa sähköiskuun, tulipaloon ja/tai vakavaan loukkaantumiseen. **Säilytä kaikki turvallisuus- ja muut ohjeet tulevaisuutta varten.**

KÄYTTÖ

Työskentelyalueen valmistelu

Kaapeleiden ja vajereiden on oltava jännitteettömät ennen kuin työ aloitetaan, samoin on varmistettava niiden jännitteettömyys työn aikana.

Älä suorita kaapelitöitä, jos varmuudella ei voi varmistaa, että kaapelit tai eristetyt linjat ovat jännitteettömiä.

Paikalliset turvallisuusmääräykset on ehdottomasti otettava huomioon.

Kaapeleita ja vajereita ei saa altistaa mekaanisille voimille ja tarvittaessa on varmistettava, että ne eivät liiku kontrolloimattomasti leikkaamisen jälkeen.

Älä altista työkaluja sateelle. Älä käytä työkaluja kosteissa tai märissä paikoissa.

Kaapelileikkurin ja akun valmistelu

Ennen jokaista käyttökertaa:

• Tarkasta kaapelileikkuri ulkoisilta vaurioilta

• Tarkasta leikkuutyökalu halkeamilta ja muilta kulumilta

Käytä vain moitteettomassa kunnossa!

Ennen kuin leikkuutyö aloitetaan, on akun lataus tarkistettava: lataustaso vähintään 33 % (ks. kuvitettu ohje).

Voit olla, että on tarpeen ladata akku ennen töiden aloittamista.

Leikkuutyön valmistelu

Tue ja kiinnitä leikattava kaapeli tai vajeri minimoidaksesi kontrolloimattoman liikkeen riskin.

Erityisesti vapaasti olevat kaapelit ja vajerit voivat liikkua kontrolloimattomasti ja aiheuttaa loukkaantumisia ja / tai vaurioita.

Leikkuupää on asetettava 90° kulmaan kaapeliin tai vajeriin nähden, siten että kaapeli tai vajeri asetettu jännitteettömästi auki oleviin leikkuuleukoihin ja haitalliset leikkuuvoimat vältetään.



VAROITUS: Älä koskaan leikkaa sähköjohtoja, joissa on jännitettä. Näin vältetään räjähdysiltä, sähköiskulta ja omaisuusvahingoilta.

Työkalu EI ole eristetty. Kosketus jännitteeseen voi aiheuttaa vakavia vammoja tai kuoleman. Kytke virta pois päältä ennen leikkuuta. Älä koskaan leikkaa kaasu- tai vesiputkia. Älä koske leikkuuteriä ja liikkuviin osiin käsin. Voit saada haavoja tai seurauksena voi olla amputaatio.

Irrota akkuyksikkö aina ennen kuin vaihdat tai irrotat lisävarusteita. Käytä vain erityisesti tälle työkalulle suositeltuja lisävarusteita. Muut voivat aiheuttaa vahinkoja.

Suojalasiin tai sivusuojallisten lasien käyttö vähentää vammautumisen vaaraa.



VAROITUS: Leikkaa vain leikkuuterille suositeltuja materiaaleja loukkaantumisvaaran vähentämiseksi. (ks. Tekniset tiedot) Älä yritä leikata muita materiaaleja.

Leikkaus

• Varmista, että terät on asennettu asianmukaisesti ennen kuin aloitat leikkuutyön.

1. Vie kaapeli suorassa kulmassa kaapelileikkurin leikkuuterien väliin. Älä yritä leikata kulmia, koska se vahingoittaa työstettävää kappaletta ja leikkuuteriä.



Suo

2. Tartu kädensijaan/kädensijoihin lujasti. Siirrä liukukytkin ei lukittuun asentoon. Vedä ja pidä liipaisimesta koko toiminnan aikana. LED palaa, kun liipaisimesta vedetään. Leikkuan jälkeen, tai kun työkalu kytketty pois päältä, vapauta laukaisin ja paina palautuskytkintä, jotta leikkuuleuat avautuvat. Huomaa: Työstettävä kappale voi liikkua hieman leikkuan aikana.

Miten toimia häiriötilanteissa

- kaapelissa voi olla viiltoja ja se voi johtaa virtaa, tiedota aina turvallisuudesta vastaavaa henkilöä, keskeytä leikkuprosessi, käynnistä tarvittavat turvallisuustoimenpiteet
- Varmista aina, että laite on irrotettu virtalähteestä eikä sitä liitetä virtalähteeseen ennen kuin tartut siihen.
- paina ja pidä palautuspainikkeesta kunnes leikkuri avautuu kokonaan
- tarkasta akun teho
- tarkasta materiaalin ja sen paksuuden tekniset tiedot
- Kaapelileikkuri on tarkastettava valtuutetun asiantuntevan korjaajan toimesta, jos on aihetta epäillä, että sähköä johtavia johtoja on leikattu.

Jumittuneet leikkuuterät

Lika ja ainesjäämät yhdessä voivat aiheuttaa leikkuuterien jumittumisen leikkuan jälkeen.

- Varmista laitteen palautus painamalla ja pitämällä vapautinta.
- Irrota akkusyksikkö.
- Noudata kuvaesitystä leikkuuleukojen avaamiseksi
- Puhdista lika ja ainesjäämät leikkuuteristä ennen kuin aloitat leikkaamisen uudestaan.

Ohjeita leikkauksen suorittamiseksi

- Älä yritä leikata kulumia, koska se vahingoittaa työstettävää kappaletta ja leikkuuteriä.
- Leikkuuterä säilyy pitkäikäisenä, kun leikkaat puhdasta materiaalia. Pyyhi lika ja ainesjäämät materiaalista ja leikkuuterästä ennen kuin leikkaat.

HUOLTO

Ota akku pois ennen kaikkia koneeseen tehtäviä toimenpiteitä. Älä koskaan avaa kaapelileikkuria, irrotettavaa akkua tai laturia. Tarkasta kaapelileikkuri häiriöiden, kuten liikkuvien osien aiheuttaman melun tai niiden jumittumisen osalta, jotka voivat vaikuttaa laitteen käyttöön.

Tarkasta leikkuuterät halkeamilta ja muilta kulumilta. Puhdista ja rasvaa leikkuuterät, kun työ on saatettu päätökseen. Tarkasta, että leikkuuterät ovat teräviä ja vaihda kuluneet kidat uusilla.

Vaihda leikkuuterät uusiin, kun niiden reunat ovat murtuneita tai ne ovat vahingoittuneita. Vaihda terät aina sarjana. Käytä vain MILWAUKEE-teriä.

Tarkasta, että leikkuuterät liikkuvat vapaasti. Älä koskaan upota työkalua, irrotettavaa akkua tai laturia nesteeseen tai anna nesteen päästä niihin loukkaantumisten ja vahinkojen välttämiseksi.

Pidä moottorin ilmanottoaukot puhtaina. Laitte sisältää hydraulijäljyä, joka on vaarallista pohjavedelle. Valvomaton poislaskeminen tai asiantuntematon hävittäminen on rangaistava teko.

Laitte on huollettava 6–12 kuukauden välein käytön mukaan. Saat lisätietoja huoltoväleistä ONE-KEY-sovelluksesta.

Vain valtuutetut alan ammattikorjaamot saavat suorittaa huolto- ja kunnossapitotyöt

Käytä ainoastaan Milwaukee lisätarvikkeita ja Milwaukee varaosia. Mikäli jokin komponentti, jota ei ole kuvailtu, tarvitsee vaihtoa ota yhteys johonkin Milwaukee palvelupisteistä (kts. liistamme takuuhoitoliiikkeiden/ palvelupisteiden osoitteista)

Tarpeen vaatiessa voit pyytää lähettämään laitteen kokoonpanopiirustuksen ilmoittamalla arvokilven numeron seuraavasta osoitteesta: Techtronic Industries GmbH, Max-Eyth-Strasse 10, 71364 Winnenden, Germany.

ONE-KEY™

Lue mukana toimitettu pikakäyttöohje tai käy verkossa sivulla <http://www.milwaukeeool.com/one-key> tutustuaksesi tämän työkalun ONE-KEY-toiminnallisuuteen.

Voit ladata ONE-KEY-sovelluksen App Storen tai Google Playn kautta älypuhelimellesi.

Kun sähköstaattinen purkaus tapahtuu, Bluetooth-viestintä katkeaa ja sovelluksen käyttöliittymästä poistutaan. Samoin kuin jos sovellusta ei käytetä 45 sekuntiin. 45 sekunnin jälkeen sovellus on nollattava, jotta se toipuu.* Uskomme, että tulokset ovat hyväksyttävien suorituskyvyn vähimmäisvaatimustemme mukaiset EN 301489-1/EN 301489-17 mukaisesti. Annamme ohjausta toiminnasta asiakkaille käyttöoppaassa.

AKKU

Yli 50°C lämpötilassa akun suorituskyky heikkenee. Välttämättä akkujen säilyttämistä auringossa tai kuumissa tiloissa.

Pidä aina latauslaitteen ja akun kosketuspinnat puhtaina.

Optimaalisen käyttöiän saavuttamiseksi akut on ladattava täyteen käytön jälkeen. Pitkään käyttämättä olleet vaihtoakut on ladattava ennen käyttöä.

Mahdollisimman pitkän elinajan takaamiseksi akut tulee poistaa laturista lataamisen jälkeen.

Akkua yli 30 päivää säilytettäessä, Säilytä akku yli 27 °C:ssa ja kuivassa., Säilytä akku sen latauksen ollessa 30 % - 50 %, Lataa akku 6 kuukauden välein uudelleen.

Käytettyjä vaihtoakkuja ei saa polttaa eikä poistaa normaalin jätehuollon kautta. Milwaukeella on tarjolla vanhoja vaihtoakkuja varten ympäristöystävällinen jätehuoltopalvelu.

Vaihtoakkuja ei saa säilyttää yhdessä metalliesineiden kanssa (oikosulkuvaara).

LITIUMI-IONIAKKUJEN KULJETTAMINEN

Litiumi-ioniakut kuuluvat vaarallisten aineiden kuljetuksesta annettujen lakien piiriin.

Näiden akkujen kuljettaminen täytyy suorittaa noudattaen paikallisia, kansallisia ja kansainvälisiä määräyksiä ja säädöksiä.

Kuluttajat saavat ilman muuta kuljettaa näitä akkuja teitä pitkin.

Kaupallisessa kuljetuksessa huolintaliikkeiden täytyy kuljettaa litiumi-ioniakkuja vaarallisten aineiden kuljetuksesta annettujen määräysten mukaisesti. Ainoastaan tähän vastaavasti koulutetut henkilöt saavat suorittaa kuljetuksen valmistelutoimet ja itse kuljetuksen. Koko prosessia tulee valvoa asiantuntevasti.

Seuraavat kohdat tulee huomioida akkujen kuljetettaessa:

Varmista, että akkujen kontaktit on suojattu ja eristetty, jotta vältetään lyhytsulut. Huolehdi siitä, ettei akkusarja voi luiskahtaa paikaltaan pakkauksen sisällä. Vahingoittuneita tai vuotavia akkuja ei saa kuljettaa. Pyydä tarkemmat tiedot huolintaliikkeeltäsi.

TODISTUS CE-STANDARDINMUKAISUUDESTA

Vakuutamme täten olevamme yksin vastuussa siitä, että kohdassa "Tekniset tiedot" kuvattu tuote vastaa kaikkia direktiivien merkityksellisiä säädöksiä

2011/65/EU RoHS, 2006/42/EY, 2014/53/EU

ja seuraavia yhdenmukaistettuja standardeja on käytetty.

EN 62841-1:2015

EN 62479:2010

EN 55014-1:2017+A11:2020

EN 55014-2:2015

EN 301 489-1 V2.2.3

EN 301 489-17 V3.1.1

EN 300 328 V2.2.2

EN IEC 63000:2018



Winnenden, 2021-04-07

Alexander Krug / Managing Director

Valtuutettu kokoamaan tekniset dokumentit.

Techtronic Industries GmbH

Max-Eyth-Straße 10, 71364 Winnenden, Germany

SYMBOLIT



Lue käyttöohjeet huolellisesti, ennen koneen käynnistämistä.



VAROITUS!
Murtuneet osat voivat aiheuttaa vammoja



Käytä laitteella työskennellessäsi aina suojalaseja.



Tämä laite sisältää litium-nappipariston.



Sähköiskun vaara



HUOMIO! VAROITUS! VAARA!



Ota akku pois ennen kaikkia koneeseen tehtäviä toimenpiteitä.



Älä laita käsiä leikkuriin ja muihin liikkuviin osiin. Sormet voivat joutua leikkurin mekaniisiin sekä voivat vahingoittua tai leikkaantua irti.



Lisälaite - Ei sisälly vakiovarustukseen, saatavana lisätarvikkeena.



Sähkölaitteita, paristoja/akkuja ei saa hävittää yhdessä kotitalousjätteiden kanssa. Sähkölaitteet ja akut tulee kerätä erikseen ja toimittaa kierrätysliikkeeseen ympäristöystävällistä hävittämistä varten. Pyydä paikallisilta viranomaisilta tai alan kauppiaaltasi tarkemmat tiedot kierrätyspisteistä ja keräyspaikoista.



Jännite



Tasavirta



Euroopan säännönmukaisuusmerkki



Britannian säännönmukaisuusmerkki



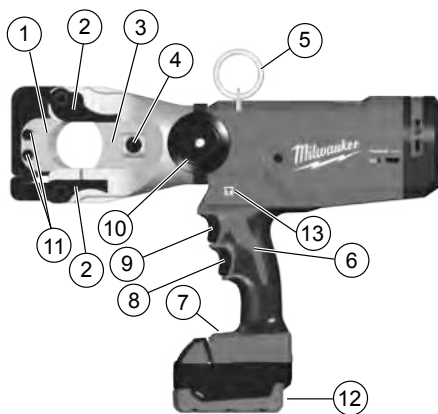
Ukrainan säännönmukaisuusmerkki



Euraasian säännönmukaisuusmerkki



ΤΕΧΝΙΚΑ ΣΤΟΙΧΕΙΑ	M18 HCC45
Κόφτης καλωδίων	
Αριθμός παραγωγής	4772 37 01... ... 000001-999999
Ζώνη συχνότητων	2402-2480 MHz
Ισχύς εκπομπής	1,8 dBm
Τάση ανταλλακτικής μπαταρίας	18 V
Ονομαστική δύναμη	77,8 kN
Περιοχή κοπής Ανάλογα με τον τύπο καλωδίου	Μέγ. Ø 44 mm
ACSR: Αλουμίνιο-/Χαλύβδινα σχοινιά Χαλκός / Αλουμίνιο	
Βάρος σύμφωνα με τη διαδικασία ΕΡΤΑ 01/2014 (Li-Ion 2,0 Ah...9,0Ah)	6 kg... 6,6 kg
Συνιστώμενη θερμοκρασία περιβάλλοντος για τη λειτουργία	-18°C ... +50°C
Συνιστώμενη δέσμη συσσωρευτών	M18B...
Συνιστώμενη συσκευή φόρτισης	M12-18...
Πληροφορίες θορύβου	
Τιμές μέτρησης εξακριβωμένες κατά EN 62841. Η σύφωνα με την καμπύλη Α εκτιμηθείσα στάθμη θορύβου του μηχανήματος αναφέρεται σε:	
Στάθμη ηχητικής πίεσης (Ανασφάλεια K=3dB(A))	76,9 dB(A)
Στάθμη ηχητικής ισχύος (Ανασφάλεια K=3dB(A))	87,9 dB(A)
Φοράτε προστασία ακοής (ωτασπίδες)!	
Πληροφορίες δονήσεων	
Υλικές τιμές κραδασμών (άθροισμα διανυσμάτων τριών διευθύνσεων) εξακριβώθηκαν σύμφωνα με τα πρότυπα EN 62841.	
Τιμή εκπομπής δονήσεων _a	1,2 m/s ²
Ανασφάλεια K=	1,5 m/s ²



Περιγραφή συσκευής

- | | |
|---------------------------------|--------------------------------|
| ① Μπροστινή λεπίδα | ⑦ Λυχνία LED |
| ② Μοχλό απελευθέρωσης σιαγόνων | ⑧ Σκανδάλη απελευθέρωσης |
| ③ Πίσω λεπίδα | ⑨ Σκανδάλη |
| ④ Πείρους συγκράτησης λεπίδων | ⑩ Πρόσθετη χειρολαβή |
| ⑤ Αναρτήρας | ⑪ 5 mm βίδες με εξάγωνη κεφαλή |
| ⑥ Λαβή Μονωμένη επιφάνεια λαβής | ⑫ ΜΠΑΤΑΡΙΑ |
| | ⑬ Δείκτης ONE KEY |

⚠ ΠΡΟΕΙΔΟΠΟΙΗΣΗ Διαβάστε όλες τις υποδείξεις ασφαλείας, τις οδηγίες, τις εικόνες και τα δεδομένα, τα οποία θα λάβετε μαζί με το μηχάνημα. Αμέλειες κατά την τήρηση των προειδοποιητικών υποδείξεων μπορεί να προκαλέσουν ηλεκτροπληξία, κίνδυνο πυρκαγιάς ή/και σοβαρούς τραυματισμούς. **Φυλάξτε όλες τις προειδοποιητικές υποδείξεις και οδηγίες για κάθε μελλοντική χρήση.**

⚠ ΥΠΟΔΕΙΞΕΙΣ ΑΣΦΑΛΕΙΑΣ ΓΙΑ ΚΟΦΤΕΣ ΚΑΛΩΔΙΩΝ

Για να μειώσετε τον κίνδυνο εκρήξεων, ηλεκτροπληξίας, υλικών ζημιών και ζημιών στον εξοπλισμό, μην κόβετε ποτέ ρευματοφόρα ηλεκτρικά καλώδια. Το εργαλείο ΔΕΝ είναι μονωμένο.

Διατηρείτε τα χέρια και τα φαρδιά ρούχα μακριά από εργαλεία κοπής και άλλα κινούμενα εξαρτήματα. Υπάρχει κίνδυνος σοβαρών τραυματισμών, συμπεριλαμβανομένου κοψίματος άκρων του σώματος.

Συνιστούμε επίσης προστατευτική ενδυμασία όπως επίσης μάσκα προστασίας αναπνοής, προστατευτικό γάντια, σταθερά και ασφαλή στην ολισθήση υποδήματα, κράνος και ωτασπίδες.

Χρησιμοποιείτε προστατευτικό εξοπλισμό. Φοράτε πάντα προστατευτικά γυαλιά, όταν εργάζεστε με τον κόφτη καλωδίων.

Αποτρέψτε την ακούσια εκκίνηση του κόφτη καλωδίων. Πριν από τη σύνδεση με επαναφορτιζόμενο συσσωρευτή βεβαιωθείτε ότι η σκανδάλη είναι ασφαλισμένη με την ασφάλεια ενεργοποίησης.

Μην κρατάτε ποτέ τον κόφτη καλωδίων από τις σιαγόνες κοπής.

Πριν από τη χρήση ελέγχετε πάντα τις σιαγόνες κοπής για ρωγμές και άλλες ενδείξεις φθοράς.

Χρησιμοποιείτε τον κόφτη καλωδίων, τον επαναφορτιζόμενο συσσωρευτή και τη συσκευή φόρτισης, μόνο εφόσον είναι σε τεχνικά άριστη κατάσταση.

ΠΡΟΕΙΔΟΠΟΙΗΣΗ!

Το αναφερόμενο σ' αυτές τις οδηγίες επίπεδο δονήσεων έχει μετρηθεί με μια τυποποιημένη σύμφωνα με το EN 62841 μέθοδο μέτρησης και μπορεί να χρησιμοποιηθεί για τη σύγκριση των ηλεκτρικών εργαλείων μεταξύ τους. Αυτό είναι επίσης κατάλληλο για μια προσωρινή εκτίμηση της επιβάρυνση των δονήσεων.

Το αναφερόμενο επίπεδο δονήσεων αντιπροσωπεύει τις κύριες χρήσεις του ηλεκτρικού εργαλείου. Εάν όμως το ηλεκτρικό χρησιμοποιείται σε άλλες χρήσεις, με διαφορετικά εργαλεία εφαρμογής ή ανεπαρκή συντήρηση, μπορεί να υπάρξει απόκλιση του επιπέδου δονήσεων. Αυτό μπορεί να αυξήσει σημαντικά την επιβάρυνση των δονήσεων για τη συνολική διάρκεια της εργασίας. Για μια ακριβή εκτίμηση της επιβάρυνσης των δονήσεων οφείλουν επίσης να λαμβάνονται υπόψη οι χρόνοι, στους οποίους η συσκευή είναι απενεργοποιημένη ή είναι μεν ενεργοποιημένη αλλά δεν χρησιμοποιείται πραγματικά. Αυτό μπορεί να μειώσει σημαντικά την επιβάρυνση των δονήσεων για τη συνολική διάρκεια της εργασίας. Καθορίζετε πρόσθετα μέτρα ασφαλείας για την προστασία του χειριστή από την επίδραση των δονήσεων όπως για παράδειγμα: Συντήρηση του ηλεκτρικού εργαλείου και των εργαλείων εφαρμογής, διατηρείτε ζεστά τα χέρια, οργάνωση των διαδικασιών εργασίας.

Σε περίπτωση βλάβης επισκευάστε τα άμεσα σε ένα εξουσιοδοτημένο συνεργείο.

Πριν από κάθε εργασία στη μηχανή αφαιρείτε την ανταλλακτική μπαταρία.

Ο κόφτης καλωδίων μπορεί να χρησιμοποιηθεί μόνο με τοποθετημένο το εργαλείο κοπής.

Αφαιρέστε όλα τα εργαλεία ρύθμισης και τα κλειδιά, πριν εκτελέσετε την κοπή.

Για να αποφύγετε τραυματισμούς και ζημιές, μη βυθίζετε ποτέ το εργαλείο, τον επαναφορτιζόμενο συσσωρευτή ή τη συσκευή φόρτισης σε υγρό και μην επιτρέπετε ποτέ να εισχωρήσει υγρό σε αυτά.

Κρατάτε τον κόφτη καλωδίων και από τις δύο λαβές.

Φορτίζετε τις ανταλλακτικές μπαταρίες του συστήματος M18 μόνο με φορτιστές του συστήματος M18. Μην φορτίζετε μπαταρίες από άλλα συστήματα.

Μην ανοίγετε τις ανταλλακτικές μπαταρίες και τους φορτιστές και χρησιμοποιείτε για αποθήκευση μόνο στεγνούς χώρους.

Προστατέψτε τις ανταλλακτικές μπαταρίες και τους φορτιστές από την υγρασία.

Για να αποτρέπεται τον κίνδυνο πυρκαγιάς λόγω βραχυκυκλώματος, τραυματισμούς ή ζημιές του προϊόντος, να μη βυθίζετε το εργαλείο, τον ανταλλακτικό συσσωρευτή ή τη συσκευή φόρτισης σε υγρά και να φροντίζετε, ώστε να μη διεσπύδου υγρά στις συσκευές και τους συσσωρευτές. Διαβρωτικές ή αγώγιμες υγρές ουσίες, όπως αλατόνερο, ορισμένες χημικές ουσίες και λευκαντικά ή προϊόντα που περιέχουν λευκαντικά, μπορεί να προκαλέσουν βραχυκύκλωμα.

ΠΡΟΕΙΔΟΠΟΙΗΣΗ



Αυτή η συσκευή περιέχει μία μπαταρία λιθίου τύπου κουμπιού/κέρματος. Μία νέα ή χρησιμοποιημένη μπαταρία μπορεί να προκαλέσει σοβαρά εσωτερικά εγκαύματα και να οδηγήσει σε θάνατο σε μόλις 2 ώρες σε περίπτωση κατάποσης ή εισόδου στο σώμα. Στερεώνετε πάντα το καπάκι στη θήκη μπαταριών. Εάν δεν κλείνει με ασφάλεια, σταματήστε τη συσκευή, αφαιρέστε την μπαταρία και κρατήστε την μακριά από παιδιά. Εάν πιστεύετε ότι κάποιος έχει καταπιεί την μπαταρία ή ότι έχει εισέλθει με άλλο τρόπο στο σώμα, αναζητήστε άμεση ιατρική φροντίδα.

ΛΟΙΠΟΙ ΚΙΝΔΥΝΟΙ

Πριν από την έναρξη της διαδικασίας κοπής πρέπει να μηποδίζεται η πρόσβαση σύμφωνα με τους τοπικούς κανονισμούς.

Κόβετε μόνο καλώδια, τα οποία έχουν αποσυνδεθεί από το ηλεκτρικό ρεύμα!

Τα καλώδια και τα σχοινιά δεν επιτρέπεται να είναι εκτεθειμένα σε μηχανικές δυνάμεις.

Η μη τήρηση αυτής της οδηγίας μπορεί να οδηγήσει σε σοβαρούς τραυματισμούς, θάνατο, πυρκαγιά και άλλες υλικές ζημιές λόγω ηλεκτροπληξίας, έκρηξης και/ή ηλεκτρικών τόξων.

Φοράτε προστατευτικά γυαλιά.

ΧΡΗΣΗ ΣΥΜΦΩΝΑ ΜΕ ΤΟ ΣΚΟΠΟ ΠΡΟΟΡΙΣΜΟΥ

Ο κόφτης καλωδίων είναι κατάλληλος για το διαχωρισμό καλωδίων χωρίς τάση από χαλκό ή αλουμίνιο με μόνωση, σχοινιών ACSR, (σχοινιά αλουμινίου/χαλυβα), χαλύβδινων σχοινιών, κάθε φορά ανάλογα με τον τύπο καλωδίου.

Η κοπή ή ο διαχωρισμός καλωδίων και σχοινιών με τη βοήθεια αυτού του κόφτη καλωδίων επιτρέπεται να εκτελείται μόνο από άτομα με ηλεκτροτεχνική εκπαίδευση.

Πριν από την πρώτη χρήση και, στη συνέχεια, τουλάχιστον μία φορά το χρόνο, ο χειριστής του κόφτη καλωδίων πρέπει να ενημερώνεται σχετικά με τους ειδικούς κινδύνους που αφορούν τη χρήση του κόφτη καλωδίων, καθώς και με τα βασικά μέτρα ασφαλείας.

Η εταιρεία εκμετάλλευσης πρέπει:

- να παραδώσει το εγχειρίδιο λειτουργίας στο χειριστή και
- να διασφαλίσει ότι ο χειριστής το έχει διαβάσει και κατανοήσει.



ΠΡΟΕΙΔΟΠΟΙΗΣΗ Διαβάστε όλες τις υποδείξεις ασφαλείας, τις οδηγίες, τις εικόνες και τα δεδομένα, τα οποία θα λάβετε μαζί με το μηχανήμα. Αμέλειες κατά την τήρηση των προειδοποιητικών υποδείξεων μπορεί να προκαλέσουν ηλεκτροπληξία, κίνδυνο πυρκαγιάς ή/και σοβαρούς τραυματισμούς. **Φυλάξτε όλες τις προειδοποιητικές υποδείξεις και οδηγίες για κάθε μελλοντική χρήση.**

ΕΦΑΡΜΟΓΗ

Προετοιμασία χώρου εργασίας

Πριν από την έναρξη της εργασίας, τα καλώδια ή τα σχοινιά πρέπει να είναι χωρίς τάση και να διασφαλιστεί ότι παραμένουν χωρίς τάση κατά τη διάρκεια της εργασίας.

Εάν δεν διασφαλιστεί πέραν κάθε αμφιβολίας ότι το καλώδιο ή ο αγωγός με μόνωση έχει αποσυνδεθεί, δεν επιτρέπεται να εκτελούνται εργασίες.

Οι τοπικές διατάξεις ασφαλείας και οι κανονισμοί πρέπει να λαμβάνονται οπωσδήποτε υπόψη.

Τα καλώδια και τα σχοινιά δεν επιτρέπεται να είναι εκτεθειμένα σε μηχανικές δυνάμεις και πρέπει, εάν χρειαστεί, να είναι ασφαλισμένα έναντι ανεξέλεγκτων κινήσεων με τη κοπή.

Μην εκθέτετε τα εργαλεία στη βροχή. Μην χρησιμοποιείτε εργαλεία σε υγρούς ή βρεγμένους χώρους.

Προετοιμασία του κόφτη καλωδίων και του συσσωρευτή

Πριν από κάθε χρήση:

- Ελέγχετε τον κόφτη καλωδίων για εξωτερικές ζημιές
- Ελέγχετε το εργαλείο κοπής για ρωγμές και άλλες ενδείξεις φθοράς

Να χρησιμοποιείται μόνο σε άριστη κατάσταση!

Πριν από την έναρξη της διαδικασίας κοπής πρέπει να ελέγχεται η χωρητικότητα του συσσωρευτή: ελάχιστη 33% (βλέπε εικονογραφημένη περιγραφή).

Ενδεχομένως να είναι απαραίτητη η φόρτιση πριν από την έναρξη της εργασίας.

Προετοιμασία της διαδικασίας κοπής

Στηρίξτε και στερεώστε το καλώδιο ή το σχοινί που πρόκειται να κόψετε, προκειμένου να ελαχιστοποιήσετε τον κίνδυνο μίας ανεξέλεγκτης κίνησης.

Ειδικότερα, τα ενσέρια καλώδια και σχοινιά μπορούν να αρχίσουν να κινούνται ανεξέλεγκτα και να προκαλέσουν τραυματισμούς και/ή ζημιές.

Η κεφαλή κοπής πρέπει να τοποθετηθεί σε γωνία 90° ως προς το καλώδιο ή το σχοινί, έτσι ώστε το καλώδιο ή το σχοινί να βρίσκεται χωρίς τάσεις στις ανοιχτές σιαγόνες κοπής και να αποφεύγονται ανεπιθύμητες δυνάμεις διάτμησης.



ΠΡΟΕΙΔΟΠΟΙΗΣΗ: Για να μειώσετε τον κίνδυνο εκρήξεων, ηλεκτροπληξίας, υλικών ζημιών και ζημιών στον εξοπλισμό, μην κόβετε ποτέ ρευματοφόρα ηλεκτρικά καλώδια.

Το εργαλείο ΔΕΝ είναι μονωμένο. Η επαφή με ρευματοφόρο κύκλωμα μπορεί να οδηγήσει σε σοβαρούς τραυματισμούς ή θάνατο. Διακόψτε την παροχή ρεύματος, πριν εκτελέσετε μία κοπή. Μην κόβετε ποτέ αγωγούς αερίου ή νερού. Κρατάτε τα χέρια σας μακριά από όλες τις ακμές κοπής



και τα κινούμενα μέρη. Υπάρχει κίνδυνος κοψίματος και ακρωτηριασμού.

Αφαιρείτε πάντα το πακέτο συσσωρευτών πριν από την αλλαγή ή αφαίρεση εξαρτημάτων. Χρησιμοποιείτε μόνο εξαρτήματα που συνιστώνται ειδικά για αυτό το εργαλείο. Η χρήση άλλων εξαρτημάτων μπορεί να είναι επικίνδυνη.

Για να μειώσετε τον κίνδυνο τραυματισμών, φοράτε προστατευτικά γυαλιά ή γυαλιά με πλάγια προστατευτικά.

ΠΡΟΕΙΔΟΠΟΙΗΣΗ: Για να μειώσετε τον κίνδυνο τραυματισμών, κόβετε μόνο υλικά που συνιστώνται για τις λεπίδες. (βλέπε «Προδιαγραφές») Μην επιχειρήσετε να κόψετε άλλα υλικά.

Κοπή

• Πριν από την κοπή βεβαιωθείτε ότι οι λεπίδες είναι σωστά τοποθετημένες.

1. Τοποθετήστε το καλώδιο σε ορθή γωνία επάνω στις ακμές κοπής του κόφτη καλωδίων. Μην επιχειρήσετε να εκτελέσετε λοξοτομές, καθώς θα προκληθούν ζημιές στο τεμάχιο προς επεξεργασία και τις λεπίδες.

2. Κρατήστε καλά τις λαβές.

Πατήστε και κρατήστε πατημένη τη σκανδάλη κατά τη διάρκεια της κοπής.

Η λυχνία LED θα ανάψει, όταν πατήσετε τη σκανδάλη.

Όταν ολοκληρωθεί η κοπή ή απενεργοποιηθεί το εργαλείο, απελευθερώστε και πάλι τη σκανδάλη και πατήστε τον διακόπτη επαναφοράς, προκειμένου να ανοίξουν οι σιαγόνες κοπής.

Σημείωση: Το τεμάχιο προς επεξεργασία ενδέχεται να μετακινηθεί ελαφρώς κατά τη διάρκεια της κοπής.

Συμπεριφορά σε περίπτωση βλάβης

- το καλώδιο ενδέχεται να είναι κομμένο και να φέρει ρεύμα, ενυμερώνεται πάντα τον υπεύθυνο ασφαλείας, διακόπτετε τη διαδικασία κοπής, λαμβάνετε κατάλληλα μέτρα ασφαλείας
- Διασφαλίστε πάντα ότι η συσκευή είναι και παραμένει αποσυνδεδεμένη από το ηλεκτρικό ρεύμα, πριν πλησιάσετε και αγγίξετε τη συσκευή
- Πατήστε και κρατήστε πατημένο το κουμπί επαναφοράς, μέχρι ο κόφτης να ανοίξει πλήρως
- Ελέγξτε τη χωρητικότητα του συσσωρευτή
- Ελέγξτε το υλικό και το πάχος του υλικού με βάση τα τεχνικά στοιχεία
- Εάν υπάρχει η υποψία ότι έχει κοπεί ρευματοφόρο καλώδιο, ο κόφτης καλωδίων πρέπει να ελεγχθεί από εξουσιοδοτημένο εξειδικευμένο συνεργείο

Μαγκωμένες λεπίδες

Οι ακαθαρσίες και τα θραύσματα μπορεί να προκαλέσουν το μάγκωμα των λεπίδων μετά την κοπή

- Πατήστε και κρατήστε πατημένη τη σκανδάλη απελευθέρωσης, για να βεβαιωθείτε ότι έχει γίνει επαναφορά του εργαλείου.
- Αφαιρέστε το πακέτο συσσωρευτών.
- Ακολουθήστε την περιγραφή των εικόνων για το άνοιγμα των σιαγόνων κοπής
- Καθαρίστε τυχόν ακαθαρσίες και θραύσματα από τις λεπίδες, πριν ξεκινήσετε άλλη κοπή.

Συμβουλές κοπής

- Μην επιχειρήσετε να εκτελέσετε λοξοτομές, καθώς θα προκληθούν ζημιές στο τεμάχιο προς επεξεργασία και τις λεπίδες.

- Κόβετε καθαρά υλικά, για να επιμηκύνετε τη διάρκεια ζωής των λεπίδων. Σκουπίστε τις ακαθαρσίες και τα θραύσματα από το υλικό και τις λεπίδες, πριν ξεκινήσετε την κοπή.

ΣΥΝΤΗΡΗΣΗ

Πριν από κάθε εργασία στη μηχανή αφαιρείτε την ανταλλακτική μπαταρία.

Μην ανοίγετε ποτέ τον κόφτη καλωδίων, τον επαναφορτιζόμενο συσσωρευτή ή τη συσκευή φόρτισης.

Ελέγχετε τον κόφτη καλωδίων για ενδεχόμενα προβλήματα όπως θόρυβο ή μάγκωμα των κινούμενων μερών, τα οποία μπορεί να επηρεάσουν το εργαλείο.

Ελέγχετε τα εργαλεία κοπής για ρωγμές και άλλες ενδείξεις φθοράς. Μόλις ολοκληρώσετε την εργασία, καθαρίστε και λιπάνετε τα εργαλεία κοπής.

Ελέγχετε ότι οι ακμές κοπής είναι αιχμηρές και αντικαταστήστε τις φθαρμένες σιαγόνες κοπής.

Αντικαταστήστε τις λεπίδες, όταν παρουσιάσουν θραύσεις ή ζημιές. Αντικαθιστάτε πάντα τις λεπίδες ανά ζεύγη. Χρησιμοποιείτε αποκλειστικά λεπίδες MILWAUKEE.

Ελέγχετε ότι τα εργαλεία κοπής μπορούν να κινηθούν ελεύθερα.

Για να αποφυγείτε τραυματισμούς και ζημιές, μη βυθίζετε ποτέ το εργαλείο, τον επαναφορτιζόμενο συσσωρευτή ή τη συσκευή φόρτισης σε υγρό και μην επιτρέπετε ποτέ να εισχωρήσει υγρό σε αυτά.

Διατηρείτε πάντοτε τις σχισμές εξερισμού της μηχανής καθαρές.

Η συσκευή περιέχει υδραυλικό λάδι που χρησιμοποιείται το οποίο αποτελεί κίνδυνο για τα υπόγεια ύδατα. Η ανελέγκτη απόρριψη και η λανθασμένη διάθεση τιμωρούνται.

Κάθε έξι έως δώδεκα μήνες πρέπει να πραγματοποιείται συντήρηση στη συσκευή, ανάλογα με τη χρήση.

Μπορείτε να μάθετε περισσότερες πληροφορίες σχετικά με τα διαστήματα συντήρησης μέσω της εφαρμογής ONE-KEY.

Οι εργασίες συντήρησης και επισκευής επιτρέπεται να διεξάγονται μόνο από εξειδικευμένα συνεργεία.

Χρησιμοποιείτε μόνο αξεσουάρ Milwaukee και ανταλλακτικά Milwaukee. Εξαρτήματα, που η αλλαγή τους δεν περιγράφεται, αντικαθιστούνται σε μια γενική υποστήριξη της Milwaukee (βλέπε φυλλάδιο εγγύηση/ διευθύνσεις τεχνικής υποστήριξης).

Όταν χρειάζεται, μπορείτε να ζητήσετε ένα σχέδιο συναρμολόγησης της συσκευής, δίνοντας τον τύπο της μηχανής και αριθμό στην πινακίδα ισχύος, από το κέντρο σέρβις ή απευθείας από τη φίρμα Techtronic Industries GmbH, Max-Eyth-Straße 10, 71364 Winnenden, Germany.

ONE-KEY™

Προκειμένου να μάθετε περισσότερα για τη λειτουργικότητα ONE-KEY του εν λόγω εργαλείου, διαβάστε τον επισυναπτόμενο οδηγό γρήγορης εκκίνησης ή επισκεφτείτε τη σελίδα μας στο Διαδίκτυο <http://www.milwaukeetool.com/one-key>.

Μπορείτε να κατεβάσετε την εφαρμογή ONE-KEY στο Smartphone σας από το App Store ή το Google Play.

Σε περίπτωση ηλεκτροστατικής εκκένωσης, η επικοινωνία Bluetooth διακόπτεται και πραγματοποιείται έξοδο από το περιβάλλον της εφαρμογής. Και θα διακοπεί η χρήση της εφαρμογής για 45 δευτερόλεπτα. Ύστερα από 45 δευτερόλεπτα πρέπει να γίνει επαναφορά της εφαρμογής για να αποκατασταθεί.» θεωρούμε ότι το αποτέλεσμα βρίσκεται εντός του ελάχιστου αποδεκτού επιπέδου απόδοσης που θέτουμε σύμφωνα με τα πρότυπα EN 301489-1/ EN 301489-17. Και θα προσφέρουμε καθοδήγηση στον πελάτη σχετικά με τον τρόπο λειτουργίας σε μορφή ενχειρίδιου χρήσης.

ΜΠΑΤΑΡΙΕΣ

Μια θερμοκρασία πάνω από 50°C μειώνει την ισχύ της ανταλλακτικής μπαταρίας. Αποφεύγετε τη θέρμανση για μεγαλύτερο χρονικό διάστημα από τον ήλιο ή τις συσκευές θέρμανσης.

Διατηρείτε τις επαφές σύνδεσης στο φορτιστή και στην ανταλλακτική μπαταρία καθαρές.

Για μια άριστη διάρκεια ζωής πρέπει μετά τη χρήση οι μπαταρίες να φορτιστούν πλήρως. Επαναφορτίζετε τις ανταλλακτικές μπαταρίες που δεν έχουν χρησιμοποιηθεί για μεγαλύτερο χρονικό διάστημα πριν τη χρήση.

Για μια κατά το δυνατόν μεγάλη διάρκεια ζωής οι μπαταρίες μετά τη φόρτιση οφείλουν να αφαιρεθούν από το φορτιστή.

Για την αποθήκευση της μπαταρίας για διάστημα μεγαλύτερο των 30 ημερών, Αποθηκεύετε τη μπαταρία περ. στους 27°C σε στεγνό χώρο., Αποθηκεύετε τη μπαταρία περ. στο 30%-50% της κατάστασης φόρτισης., Κάθε 6 μήνες φορτίζετε εκ νέου τη μπαταρία.

Μην πετάτε τις μεταχειρισμένες ανταλλακτικές μπαταρίες στη φωτιά ή στα οικιακά απορρίμματα. Η Milwaukee προσφέρει μια απόσυρση των παλιών ανταλλακτικών μπαταριών σύμφωνα με τους κανόνες προστασίας του περιβάλλοντος, ρωτήστε παρακαλώ σχετικά στο ειδικό κατάστημα πώλησης.

Μην αποθηκεύετε τις ανταλλακτικές μπαταρίες μαζί με μεταλλικά αντικείμενα (κίνδυνος βραχυκυκλώματος).

ΜΕΤΑΦΟΡΑ ΤΩΝ ΜΠΑΤΑΡΙΩΝ ΙΟΝΤΩΝ ΛΙΘΙΟΥ

Οι μπαταρίες ιόντων λιθίου υπόκεινται στις απαιτήσεις των νομικών διατάξεων για την μεταφορά επικινδύνων εμπορευμάτων.

Η μεταφορά τέτοιων μπαταριών πρέπει να πραγματοποιείται τηρώντας τους τοπικούς, εθνικούς και διεθνείς κανονισμούς και τις αντίστοιχες διατάξεις.

Επιτρέπεται η μεταφορά τέτοιων μπαταριών στο δρόμο χωρίς περαιτέρω απαιτήσεις.

Η εμπορική μεταφορά μπαταριών ιόντων λιθίου από εταιρείες μεταφορών υπόκειται στις απαιτήσεις των νομικών διατάξεων για την μεταφορά επικινδύνων εμπορευμάτων. Οι προετοιμασίες αποστολής και η μεταφορά πραγματοποιούνται αποκλειστικά από ειδικά εκπαιδευμένα πρόσωπα. Η συνολική διαδικασία συνοδεύεται από εξειδικευμένο προσωπικό.

Κατά τη μεταφορά μπαταριών ιόντων λιθίου πρέπει να προσέχετε τα εξής:

Φροντίστε τα σημεία επαφών να είναι προστατευμένα και μονωμένα ώστε να αποφευχθούν βραχυκυκλώματα. Προσέξτε το πακέτο μπαταριών να είναι σταθερό μέσα στη συσκευασία και να μη γλιστρά. Η μεταφορά μπαταριών που παρουσιάζουν φθορές ή διαρροές δεν επιτρέπεται. Για περισσότερες πληροφορίες απευθυνθείτε στην εταιρεία μεταφορών.

ΔΗΛΩΣΗ ΠΙΣΤΟΤΗΤΑΣ ΕΚ

Δηλώνουμε με αποκλειστική μας ευθύνη, ότι το προϊόν που περιγράφεται στα «Τεχνικά Χαρακτηριστικά» συμμορφώνεται με όλες τις σχετικές διατάξεις των οδηγιών

2011/65/EE RoHS, 2006/42/EK, 2014/53/EE

και έχουν εφαρμοστεί τα ακόλουθα εναρμονισμένα πρότυπα

EN 62841-1:2015

EN 62479:2010

EN 55014-1:2017+A11:2020

EN 55014-2:2015

EN 301 489-1 V2.2.3

EN 301 489-17 V3.1.1

EN 300 328 V2.2.2

EN IEC 63000:2018



Winnenden, 2021-04-07

Alexander Krug / Managing Director
Εξουσιοδοτημένος να συντάξει τον τεχνικό φάκελο.
Techtronic Industries GmbH
Max-Eyth-Straße 10, 71364 Winnenden, Germany

ΣΥΜΒΟΛΑ



Παρακαλώ διαβάστε σχολαστικά τις οδηγίες χρήσης πριν από την έναρξη λειτουργίας.



ΠΡΟΕΙΔΟΠΟΙΗΣΗ!

Διαβάστε όλες τις υποδείξεις ασφαλείας και τις οδηγίες.



Στις εργασίες με τη μηχανή φοράτε πάντοτε προστατευτικά γυαλιά.



Αυτή η συσκευή περιέχει μία μπαταρία λιθίου τύπου κομπού/κέρματος.



Κίνδυνος ηλεκτροπληξίας



ΠΡΟΣΟΧΗ! ΠΡΟΕΙΔΟΠΟΙΗΣΗ! ΚΙΝΔΥΝΟΣ!



Πριν από κάθε εργασία στη μηχανή αφαιρείτε την ανταλλακτική μπαταρία.



Διατηρείτε τα χέρια μακριά από το εργαλείο κοπής και άλλα κινούμενα εξαρτήματα. Ενέχει κίνδυνος εγκλωβισμού των δακτύλων στο μηχανισμό κοπής, με συνέπεια την αποκοπή ή τον τραυματισμό τους.



Εξαρτήματα - Δεν περιλαμβάνονται στα υλικά παράδοση, συνιστούμενη προσθήκη από το πρόγραμμα εξαρτημάτων.



Ηλεκτρικά μηχανήματα, μπαταρίες/συσσωρευτές δεν επιτρέπεται να απορρίπτονται μαζί με τα οικιακά απορρίμματα. Ηλεκτρικά μηχανήματα και συσσωρευτές συλλέγονται ξεχωριστά και παραδίδονται προς ανακύκλωση με τρόπο φιλικό προς το περιβάλλον σε επιχείρηση επεξεργασίας απορριμμάτων. Ενημερωθείτε από τις τοπικές υπηρεσίες ή από ειδικευμένους εμπόρους σχετικά με κέντρα ανακύκλωσης και συλλογής απορριμμάτων.

V Βολτ



Συνεχές ρεύμα



Ευρωπαϊκό σήμα πιστότητας



Βρετανικό σήμα πιστότητας



Ουκρανικό σήμα πιστότητας



Ευρασιατικό σήμα πιστότητας



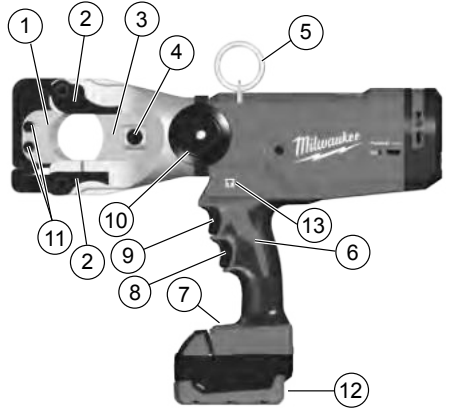
EL

Ελληνικά

TEKNİK VERİLER	M18 HCC45
Boru kesici	
Üretim numarası	4772 37 01... ... 000001-999999
Frekans bandı	2402-2480 MHz
İletim gücü	1,8 dBm
Kartuş akü gerilimi	18 V
Pres Kuvveti	77,8 kN
Kesim alanı Kablo tipine bağlıdır	Maks. Ø 44 mm
ACSR: Alüminyum-Çelik halat Bakır / Alüminyum	
Ağırlığı ise EPTA-üretici 01/2014'e göre (Li-Ion 2,0 Ah...9,0Ah)	6 kg...6,6 kg
Çalıştırılması için tavsiye edilen ortam sıcaklığı	-18°C ... +50°C
Tavsiye edilen güç paketleri	M18B...
Tavsiye edilen şarj aletleri	M12-18...
Gürültü bilgileri	
Ölçüm değerleri EN 62841'e göre belirlenmektedir. Aletin, frekans bağımlı uluslararası ses basıncı seviyesi değerlendirme eğrisi A'ya göre tipik gürültü seviyesi:	
Ses basıncı seviyesi (Tolerans K=3dB(A))	76,9 dB(A)
Akustik kapasite seviyesi (Tolerans K=3dB(A))	87,9 dB(A)
Koruyucu kulaklık kullanın!	
Vibrasyon bilgileri	
Toplam titreşim değeri (üç yönün vektör toplamı) EN 62841'e göre belirlenmektedir:	
titreşim emisyon değeri _h	1,2 m/s ²
Tolerans K=	1,5 m/s ²



Tür



Cihazın tanımı

- | | |
|---------------------------------------|-------------------------------|
| ① Ön bıçak | ⑦ LED |
| ② Kesici çene serbest bırakma kolları | ⑧ Tetik serbest bırakma |
| ③ Arka bıçak | ⑨ Tetik |
| ④ Bıçak tutma pimi | ⑩ Ek el kulpu |
| ⑤ Askı | ⑪ 5 mm altıgen soket vidaları |
| ⑥ Tutamak | ⑫ Akü |
| izolasyonlu tutma yüzeyi | ⑬ ONE KEY göstergesi |

⚠ UYARI Cihazla birlikte gelen tüm güvenlik uyarılarını, talimatları, çizimleri ve bilgileri okuyun. Açıklanan uyarılara ve talimat hükümlerine uyulmadığı takdirde elektrik çarpmalarına, yangınlara ve/veya ağır yaralanmalara neden olunabilir. **Bütün uyarıları ve talimat hükümlerini ileride kullanmak üzere saklayın.**

⚠ BORU KESİCİ İÇİN GÜVENLİK BİLGİLERİ

Patlama, elektrik çarpması ve mal ve ekipmana hasar riskini düşürmek için asla gerilimli kabloları kesmeyin. Alet yalıtımlı DEĞİLDİR.

Elleri ve sarkan giysileri kesici aletlerden ve diğer hareketli parçalardan uzak tutun. Vücut azalarının kesilmesi dahil, ciddi yaralanma tehlikesi mevcuttur.

Koruyucu elbise ve tozardan korunma maskesi, emniyet eldivenleri ve sağlam ve kaymayı mukavim ayakkabı giyin. Başlık ve kulaklık tavsiye edilir.

Koruma teçhizatı kullanın. Kablo kesiciyle çalışırken her zaman emniyet gözlüğü takın.

Kablo kesicinin kazayla çalışmasını önleyin. Çıkarılabilir bir pile bağlamadan önce tetiğin anahtar kilitliyle emniyete alındığından emin olun.

Kablo kesiciyi asla kesici çenelerden tutmayın.

Kullanmadan önce, kesici çeneleri çatlak ve diğer aşınma belirtileri yönünden mutlaka kontrol edin.

Kablo kesiciyi, çıkarılabilir pili ve şarj cihazını ancak teknik olarak kusursuz olmaları koşuluyla kullanın.

Hasarları derhal yetkili bir tamirhanede tamir ettiriniz.

Aletin kendine bir çalışma yapmadan önce kartuş aküyü çıkarın.

Kablo kesici sadece bir kesici alet takılarak kullanılabilir.

Kesim yapmadan önce bütün ayar aletlerini ve anahtarları çıkarın.

Türkçe

Yaralanma ve hasarları önlemek için aleti, çıkarılabilir pili veya şarj cihazını asla bir sıvıya batırmayın, içlerine sıvı girmesine izin vermeyin.


Kablo kesiciyi iki elinizle tutun.

M18 sistemli kartuş aküleri sadece M18 sistemli şarj cihazları ile şarj edin. Başka sistemli aküleri şarj etmeyin.

Kartuş aküleri ve şarj cihazını açmayın ve sadece kuru yerlerde saklayın. Neme ve ıslanmaya karşı koruyun.

Bir kısa devreden kaynaklanan yangın, yaralanma veya ürün hasarları tehlikesini önlemek için aleti, güç paketini veya şarj cihazını asla sıvıların içine daldırmayınız ve cihazların ve pillerin içine sıvı girmesine önleyiniz. Tuzlu su, belirli kimyasallar, ağartıcı madde veya ağartıcı madde içeren ürünler gibi korozif veya iletken sıvılar kısa devreye neden olabilir.

UYARI

 Bu cihaz, düğme tipi/yassı lityum pil içerir. Yeni veya kullanılmış bir pil yutulursa ya da vücuda gireirse, 2 saat gibi kısa bir sürede ciddi iç yanıklara ve ölüme neden olabilir. Kapağı pil bölgesine her zaman sabitleyin. Güvenli bir şekilde kapanmıyorsa, cihazı durdurun, pili çıkarın ve çocukların erişemeyeceği bir yerde saklayın. Birinin pili yuttuğundan veya pilin vücuda girdiğinden şüpheleniyorsanız, derhal tıbbi yardım isteyin.

KALAN TEHLİKELER

Kesme süreci başlamadan, erişimin yerel düzenlemelere uygun olarak kapatılmış olması gerekir.

Sadece ve sadece güç kaynağıyla bağlantısı kesilmiş kabloları kesin! Borular ve halatlar mekanik kuvvete maruz bırakılmamalıdır.

Bu talimatın aksine hareket etmek elektrik çarpması, patlama ve/veya elektrik arkından kaynaklanacak ciddi yaralanmaya, ölüme, yangına ve diğer maddi hasarlara neden olabilir.

Koruyucu gözlük takınız.

KULLANIM


Boru kesici, gerilimsiz boruların boru tipine bağlı olarak izole bakırdan ya da alüminyum, çelik takviyeli alüminyum iletken (ACSR halat) veya çelik halattan ayrılması için tasarlanmıştır.

Boru ve halatların bu boru kesici yardımıyla kesilmesi veya ayrılması işlemleri sadece elektroteknik eğitilmiş bir kişi tarafından yapılmalıdır.

Bu kablo kesicinin operatörü cihazı ilk kez kullanmadan önce ve bundan en fazla bir yıl sonra bu kablo kesiciyi kullanmakla bağlantılı belirli tehlikeler ve temel güvenlik önlemleri konusunda eğitilmiş olmalıdır.

İşletme şirketinin şunları yapması gerekir:

- Operatörün kullanma kılavuzuna erişebilmesini sağlamak
- ve okuyup anladığından emin olmak.

 **UYARI Cihazla birlikte gelen tüm güvenlik uyarılarını, talimatları, çizimleri ve bilgileri okuyun.** Açıklanan uyarılara ve talimat hükümlerine uyulmadığı takdirde elektrik çarpmalarına, yangınlara ve/veya ağır yaralanmalara neden olunabilir. **Bütün uyarıları ve talimat hükümlerini ileride kullanmak üzere saklayın.**

UYGULAMA

Çalışma alanının hazırlanması

Çalışmaya başlamadan önce boru ve halatlar gerilimsiz durumda olmalı ve çalışma süresince bu durum güvenceye alınmalıdır.

Kablo veya yalıtımlı devrenin bağlantısının kesildiği kuşkuya yer bırakmayacak şekilde belirlenemezse, hiçbir iş yapılamaz.

Yerel güvenlik yönetmeliklerine ve düzenlemelere riayet edilmez.

Borular ve halatlar mekanik kuvvete maruz bırakılmamalı ve gerekirse kesildikten sonra kontrolsüz hareketlere karşı güvenceye alınmalıdır.

Aletleri yağmur altında bırakmayın. Aletleri nemli veya ıslak yerlerde kullanmayın.

Kablo kesici ve pilin hazırlanması

Her kullanımdan önce:

- Kablo kesiciyi dış hasar yönünden kontrol edin
- Kablo kesiciyi çatlak ve diğer aşınma belirtileri yönünden kontrol edin

Sadece mükemmel durumda kullanın!

Kesme işlemi başlamadan önce, pil kapasitesi kontrol edilmelidir: asgari %33 (bakınız resimli açıklama).

İş başlamadan önce şarj gerektirebilir.

Kesme sürecine hazırlanma

Kontrolsüz hareket riskini en aza indirmek için kesilecek boru veya halatı destekleyin ve sabitleyin.

Özellikle havai boru ve halatlar kontrolsüz hareket edebilir ve yaralanma ve/veya hasara neden olabilir.

Kesme kafası, açık pafta lokmasına gerilimsiz yerleştirilmeleri ve uygunsuz biçme kuvvetine neden olmamaları için boru veya halatları 90° açılı olmalıdır.

 **UYARI: Patlama, elektrik çarpması ve mal ve ekipmana hasar riskini düşürmek için asla gerilimli kabloları kesmeyin.**

Alet yalıtımlı DEĞİLDİR. Gerilimli bir devreyi kesmek ciddi yaralanmaya ya da ölüme yol açabilir. Kesim yapmadan önce gücü kesin. Asla gaz veya su hatlarını kesmeyin. Ellerinizi bütün kesici uçlardan ve hareketli aksamdan uzak tutun. Kesik ya da amputasyon oluşabilir.

Aksesuar değiştirir ya da çıkarırken her zaman pil takımını çıkarın. Sadece bu alet için özellikle tavsiye edilen aksesuarları kullanın. Farklı aksesuarlar tehlikeli olabilir. Yaralanma riskini azaltmak için emniyet gözlüğü veya yan korumalı gözlük kullanın.

 **UYARI: Yaralanma riskini azaltmak için, sadece bıçaklar için tavsiye edilen malzemeleri kesin. (bkz. „Teknik Özellikler“) Başka malzeme kesmeye çalışmayın.**

Kesme

• Kesmeden önce, bıçakların doğru takıldığından emin olun.

1. Boruyu, boru kesicisinin kesici kenarlarına dik açıyla yönlendirin. İşlenecek parçaya ve bıçaklara hasar vereceğinden, açılı kesimler yapmaya çalışmayın.

2. Tutamağı/tutamakları sıkıca kavrayın.

Tetiği çekin ve operasyon sırasında çekili tutun.

Tetik çekildiğinde bir LED ışık yanacaktır.

Kesme işlemi tamamlandığında veya alet kapatıldığında, tetiği serbest bırakın ve pafta lokmalarının açılması için sıfırlama anahtarına basın.

Not: İşlenecek parça kesme işlemi sırasında hafifçe hareket edebilir.



Arıza durumunda yapılacaklar

- Kablo kesik ve gerilimli olabilir; bu durumda daima güvenlik görevlisini bilgilendirin, kesme işlemini iptal edin ve uygun güvenlik önlemlerini uygulayın
- Alete yaklaşip dokunmadan önce aletin güç kaynağıyla bağlantısı mutlaka kesilmiş olmalı ve kesilmiş kalmalıdır
- Sıfırlama (resetleme) düğmesine basın ve kesici tamamiyla açılana kadar basılı tutun
- Pili kapasitesini kontrol edin
- Malzeme ve malzeme kalınlığını teknik verilerle karşılaştırarak kontrol edin
- Gerilimli bir kablonun kesildiğinden kuşku duyulması halinde, kablo kesicinin yetkili bir uzman atölyede kontrol edilmesi gerekir

Bıçakların Sıkışması

Pislik ve döküntüler kesim işleminden sonra bıçakların sıkışmasına neden olabilir

- Aletin sıfırlandığından emin olmak için serbest bırakma tetiğini basıp basılı tutun.
- Pili paketini çıkarın.
- Pafta lokmalarını açmak için resimli açıklamaya riayet edin
- Yeni bir kesme işleminde başlamadan önce, bıçaklardaki kir ve döküntüleri temizleyin.

Kesme Tavsiyeleri

- İşlenecek parçaya ve bıçaklara hasar vereceğinden, açılı kesimler yapmaya çalışmayın.
- Bıçak ömrünü uzatmak için temiz malzeme kesin. Kesmeye başlamadan önce malzeme ve bıçakların üzerindeki kir ve döküntüleri silin.

BAKIM

Aletin kendinde bir çalışma yapmadan önce kartuş aküyü çıkarın. Kablo kesiciyi, çıkarılabilir pili ya da şarj cihazını asla açmayın. Kablo kesiciyi gürlütlü veya hareketli aksamda aleti etkileyebilecek sıkışmalar gibi sorunlar yönünden kontrol edin.

Kesme aletlerinin çatlak ve diğer aşınma belirtileri yönünden kontrol edin.

İş tamamlanınca kesme aletlerini temizleyip gresleyin.

Kesme uçlarının keskin olup olmadığını kontrol edin, aşınmış kesici çeneleri değiştirin.

Ağızları bozulmuş ya da hasarlı bıçakları değiştirin. Bıçakları hep takım olarak değiştirin. Sadece MILWAUKEE bıçaklarını kullanın. Kesme aletlerinin serbestçe hareket edebildiklerinden emin olun.

Yaralanma ve hasarları önlemek için aleti, çıkarılabilir pili veya şarj cihazını asla bir sıvıya batırmayın, içlerine sıvı girmesine izin vermeyin.

Aletin havalandırma aralıklarını daima temiz tutun.

Cihaz, yeraltı suları için bir tehlike oluşturan hidrolik yağ içermektedir. Kontrolsüz olarak boşaltılması veya usulüne uygun olmayacak şekilde imha edilmesi cezalandırılır.

Kullanıma bağlı olarak cihazın her altı ya da on iki ayda bir bakım görmesi gerekir.

Bakım aralıkları hakkında daha fazla bilgiyi ONE-KEY uygulaması üzerinden bulabilirsiniz.

Bakım ve tamir işleri sadece yetkili tamirhaneler tarafından yapılabilir.

Sadece Milwaukee aksesuarı ve yedek parçası kullanın. Nasıl değiştirileceği açıklanmamış olan yapı parçalarını bir Milwaukee müşteri servisinde değiştirin (Garanti ve servis adresi broşürüne dikkat edin).

Gerektiği takdirde aletin dağınık görünüş şeması, alet tipinin ve tip etiketi üzerindeki sayının bildirilmesi koşuluyla müşteri servisinde veya doğrudan Techtronic Industries GmbH, Max-Eyth-Straße 10, 71364 Winnenden, Germany adresinden istenebilir.

ONE-KEY™

ONE-KEY işlevi hakkında daha fazla bilgi edinmek için ekteki Hızlı Başlangıç Kılavuzunu okuyun ya da <http://www.milwaukeeetool.com/one-key> internet adresimizi ziyaret edin.

ONE-KEY uygulamasını App Store ya da Google Play aracılığıyla akıllı telefonunuza indirebilirsiniz.

Elektrostatik boşalma yaşandığında Bluetooth iletişimi kesilir ve Uygulama arayüzünden gıkılır. Ve uygulama 45 saniye boyunca kullanılmaz. 45 saniyenin sonunda kurtarılması için uygulamanın sıfırlanması gerekir. Sonuçun, EN 301489-1/ EN 301489-17 uyarınca kabul edilebilir minimum performans düzeyi dahilinde olduğunu değerlendirdik. İşletim kılavuzunu kullanma kılavuzuyla birlikte müşteriye sunacağız.

AKÜ

50°C üzerindeki sıcaklıklar kartuş akünün performansını düşürür. Akünün güneş ışığı veya mekân sıcaklığı altında uzun süre ısınmamasına dikkat edin.

Şarj cihazı ve kartuş aküdeki bağlantı kontaklarını temiz tutun.

Akünün ömrünün mükemmel bir şekilde uzun olması için kullandıktan sonra tamamen doldurulması gerekir. Uzun süre kullanım dışı kalmış kartuş aküleri kullanmadan önce şarj edin. Ömrünün mümkün olduğu kadar uzun olması için akülerin yüklem yapıldıktan sonra doldurma cihazından uzaklaştırılması gerekir.

Akünün 30 günden daha fazla depolanması halinde, Aküyü takriben 27°C'de kuru olarak depolayın. Aküyü yüklem durumunun takriben % 30 - %50 olarak depolayın., Aküyü her 6 ay yeniden doldurun.

Kullanılmış kartuş aküleri ateşe veya ev çöplerine atmayın. Milwaukee, kartuş akülerin çevreye zarar vermeyecek biçimde tasfiye edilmesine olanak sağlayan hizmet sunar; lütfen bu konuda yetkili satıcınıza bilgi alın.

Kartuş aküleri metal parça veya eşyalarla birlikte saklamayın (kısa devre tehlikesi).

LITYUM İYON PİLLERİN TAŞINMASI

Lityum iyon piller tehlikeli madde taşımacılığı hakkındaki yasal hükümler tabidir.

Bu piller, bölgesel, ulusal ve uluslararası yönetmeliklere ve hükümlere uyularak taşınmak zorundadır.

Tüketiciler bu pilleri herhangi bir özel şart aranmaksızın karayoluyla taşıyabilirler.

Lityum iyon pillerin nakliye şirketleri tarafından ticari taşımacılığı için tehlikeli madde taşımacılığının hükümleri geçerlidir. Sevk hazırlığı ve taşıma sadece ilgili eğitimi görmüş personel tarafından gerçekleştirilebilir. Bütün süre uzmanca bir refakatçilik altında gerçekleştirilmek zorundadır.

Pillerin taşınması sırasında aşağıdaki hususlara dikkat edilmesi gerekmektedir:

Kısa devre oluşmasını önlemek için kontakların korunmuş ve izole edilmiş olmasını sağlayınız. Pili paketinin ambalajı içinde kaymamasına dikkat ediniz. Hasarlı veya akmış pillerin taşınması yasaktır. Ayrıca bilgiler için nakliye şirketinize başvurunuz.

CE UYGUNLUK BEYANI

"Teknik veriler" başlığı altında tanımlanan ürünün, sayılı direktiflerdeki tüm hükümleri

2011/65/EU RoHS, 2006/42/EC, 2014/53/EU uyumlaştırılmış standartları

EN 62841-1:2015

EN 62479:2010

EN 55014-1:2017+A11:2020

EN 55014-2:2015

EN 301 489-1 V2.2.3

EN 301 489-17 V3.1.1

EN 300 328 V2.2.2
EN IEC 63000:2018



Winnenden, 2021-04-07

Alexander Krug / Managing Director
Teknik evrakları hazırlamakla görevlendirilmiştir.
Techtronic Industries GmbH
Max-Eyth-Straße 10, 71364 Winnenden, Germany

SEMBOLLER



Lütfen aleti çalıştırmadan önce kullanma kılavuzunu dikkatli biçimde okuyun.



UYARI!
İş parçalarının savrulması



Aletle çalışırken daima koruyucu gözlük kullanın.



Bu cihaz, düğme tipi/yassı lityum pil içerir.



Elektrik çarpması tehlikesi



DİKKAT! UYARI! TEHLİKE!



Aletin kendinde bir çalışma yapmadan önce kartuş aküyü çıkarın.



Elleri kesici aletten ve diğer hareketli parçalardan uzak tutun. Parmaklar kesme mekanizmasına yakalanarak kopabilir ya da yaralanabilir.



Aksesuar - Teslimat kapsamında değildir, önerilen tamam-lamalar aksesuar programında.



Elektrikli cihazların, pillerin/akülerin evsel atıklarla birlikte bertaraf edilmesi yasaktır. Elektrikli cihazlar ve aküler ayrılarak biriktirilmeli ve çevreye zarar vermeden bertaraf edilmeleri için bir atık değerlendirme tesisine götürülmelidirler. Yerel makamlara veya satıcınıza geri dönüşüm tesisleri ve atık toplama merkezlerinin yerlerini danışınız.

V Voltaj



Doğru akım



Avrupa uyumluluk işareti



Britanya uyumluluk işareti



Ukrayna uyumluluk işareti



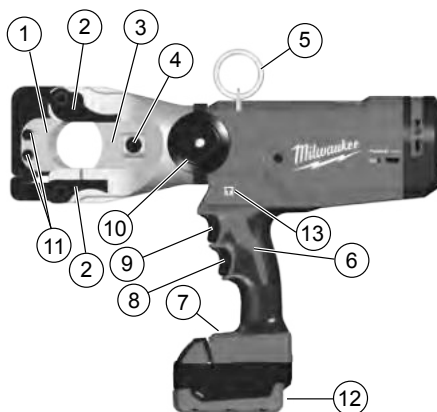
Avrasya uyumluluk işareti



TECHNICKÁ DATA	M18 HCC45
Řezačka kabelů	
Výrobní číslo	4772 37 01... ... 000001-999999
Kmitočtové pásmo	2402-2480 MHz
Radiofrekvenční výkon	1,8 dBm
Napětí výměnného akumulátoru	18 V
Jmenovitá síla	77,8 kN
Oblast řezu Závisí na typu kabelu	max. Ø 44 mm
ACSR: Hliník-/Ocelová lana Měď / Hliník	
Hmotnost podle prováděcího předpisu EPTA 01/2014 (Li-Ion 2,0 Ah...9,0Ah)	6 kg...6,6 kg
Doporučená teplota okolí pro provoz	-18°C ... +50°C
Doporučené akupaky	M18B...
Doporučené nabíječky	M12-18...
Informace o hluku	
Naměřené hodnoty odpovídají EN 62841. V třídě A posuzovaná hladina hluku přístroje činí typicky:	
Hladina akustického tlaku (Kolísavost K=3dB(A))	76,9 dB(A)
Hladina akustického výkonu (Kolísavost K=3dB(A))	87,9 dB(A)
Používejte chrániče sluchu!	
Informace o vibracích	
Celkové hodnoty vibrací (vektorový součet tří směrů) zjištěné v smyslu EN 62841.	
Hodnota vibračních emisí _h	1,2 m/s ²
Kolísavost K=	1,5 m/s ²



Čes



Popis zařízení

- | | |
|---------------------------------------|--------------------------------------|
| ① Přední rukojeť | ⑦ LED kontrolka |
| ② Páky na uvolnění čelisti | ⑧ Uvolňovací spoušť |
| ③ Zadní rukojeť | ⑨ Spoušť |
| ④ Zadržný kolík čepele | ⑩ Přídavná rukojeť |
| ⑤ Háček | ⑪ 5 mm šrouby s vnitřním šestihranem |
| ⑥ Rukojeť izolovaná uchopovací plocha | ⑫ Akumulátor |
| | ⑬ Indikátor ONE KEY |

VAROVÁNÍ Přečtěte si všechny bezpečnostní pokyny, instrukce, popisy a údaje, které obdržíte s přístrojem. Zanedbání při dodržování varovných upozornění a pokynů mohou mít za následek úrazy elektrickým proudem, požár a nebo těžká poranění. **Všechna varovná upozornění a pokyny do budoucna uschovejte.**

BEZPEČNOSTNÍ POKYNY PRO ŘEZAČKU KABELŮ

Aby se snížilo nebezpečí výbuchu, zasažení elektrickým proudem a poškození majetku a vybavení, neřežte nikdy elektrické kabely pod napětím. Nástroj NENÍ izolovaný.

Ruce a volné oblečení mějte v dostatečné vzdálenosti od řezacích nástrojů a jiných pohyblivých dílů. Hrozí nebezpečí těžkého zranění, včetně amputace končetin.

Doporučujeme rovněž použití součástí ochranného oděvu a ochranné obuvi, jako protiprašné masky, ochranných rukavic, pevné a nekouzlující obuvi, ochranné přilby a ochrany sluchu.

Použijte ochranné vybavení. Při práci s řezačkou kabelů vždy používejte bezpečnostní brýle.

Zabraňte náhodnému spuštění řezačky kabelů. Než připojíte vyjímatelnou baterii, přesvědčte se, že je spoušť zajištěna pojistkou spínače.

Nikdy nedržte řezačku kabelů za řezací čelisti.

Před použitím vždy zkontrolujte praskliny a další známky opotřebení řezacích čelistí.

Řezačku kabelů, vyjímatelnou baterii a nabíječku používejte, jen když jsou v perfektním technickém stavu.

Poškození nechte okamžitě opravit v autorizované speciální dílně.

Před zahájením veskerých prací na vrtacím šroubováku vyjmout výměnný akumulátor.

Řezačka kabelů se smí používat jen s vloženým řezacím nástrojem.

Česky

Než provedete řez, odstraňte všechny nastavovací nástroje a klíče. Aby nedošlo ke zranění nebo poškození, neponožujte nikdy nástroj, vyjmatelnou baterii nebo nabíječku do kapaliny a nedovolte, aby do nich nějaká kapalina vnikla.

Řezačku kabelů držte za obě rukojeti.

Akumulátor systému M18 nabíjejte pouze nabíječkou systému M18. Nenabíjejte akumulátory jiných systémů.

Náhradní akumulátory ani nabíječku neotvírejte, skladujte je v suchu, chráňte před vlhkem.

Abyste zabránili nebezpečí požáru způsobeného zkratem, poraněním nebo poškozením výrobku, neponožujte nářadí, výměnnou baterii nebo nabíječku do kapalin a zajistěte, aby do zařízení a akumulátorů nevnikly žádné tekutiny. Korodující nebo vodivá kapalina, jako je slaná voda, určité chemikálie a bělicí prostředky nebo výrobky, které obsahují bělidlo, mohou způsobit zkrat.

VAROVÁNÍ



Toto zařízení obsahuje knoflíkovou/mincovou lithiovou baterii. Nová nebo použitá baterie může způsobit vážné vnitřní popáleniny a věst k usmrcení do 2 hodin, pokud je spolknuta nebo vstoupila do těla. Vždy zajistěte kryt prostoru pro baterie. Pokud se bezpečně neuzavře, zařízení zastavte, vyjměte baterii a držte ji mimo dosah dětí. Pokud si myslíte, že někdo spolkl baterii nebo jinak vstoupila do těla, okamžitě vyhledejte lékařskou pomoc.

ZBÝVAJÍCÍ RIZIKA

Před začátkem řezacího procesu je nutné uzavřít přístup podle místních předpisů.

Kabely řežte pouze tehdy, když jsou odpojené od elektrického napájení!

Kabely a lana nesmí být vystaveny mechanickým silám.

Nedodržení tohoto pokynu může vést k těžkému zranění, usmrcení, požáru a ke hmotným škodám v důsledku zasažení elektrickým proudem, výbuchu a/nebo elektrického oblouku.

Noste ochranné brýle.

OBLAST VYUŽITÍ

Řezačka kabelů je vhodná na dělení beznapěťových kabelů z izolované mědi nebo hliníku, ACSR lan (lana hliník/ocel), ocelových lan, vždy v závislosti na typu kabelu.

Řezání nebo dělení kabelů a lan pomocí této řezačky kabelů smí provádět pouze elektrotechnicky vyškolená osoba.

Obsluha této řezačky kabelů musí být před začátkem první práce s ní a pak přinejmenším jednou za rok poučená o konkrétních nebezpečích spojených s použitím této řezačky kabelů a o základních bezpečnostních opatřeních.

Provozní podnik musí:

- poskytnout obsluze návod k použití a
- zajistit, aby si ho obsluha přečetla a pochopila.

VAROVÁNÍ Přečtěte si všechny bezpečnostní pokyny, instrukce, popisy a údaje, které obdržíte s přístrojem. Zanedbání při dodržování varovných upozornění a pokynů mohou mít za následek úder elektrickým proudem, požár a ebo těžká poranění. **Všechna varovná upozornění a pokyny do budoucna uschovejte.**

POUŽITÍ

Příprava pracovního prostoru

Před započetím práce musí být zajištěn beznapěťový stav vodičů nebo lan a musí být zaručen po celou dobu trvání prací.

Pokud nelze nade vší pochybnost zaručit, že je kabel nebo izolované vedení odpojené, nesmí se provádět žádné práce.

Je bezpodmínečně nutné dodržovat místní bezpečnostní předpisy a nařízení.

Kabely a lana nesmějí být vystaveny mechanickým silám a popřípadě musí být zabezpečeny proti nekontrolovaným pohybům po provedení řezu.

Přístroj nevystavujte dešti a nepoužívejte v mokřem či vlhkém prostředí.

Příprava řezačky kabelů a baterie

Před každým použitím:

- Zkontrolujte, jestli řezačka kabelů nemá žádné vnější závady
- Zkontrolujte praskliny a další známky opotřebení řezacího nástroje

Používejte jen v perfektním stavu!

Před začátkem řezacího procesu je nutné zkontrolovat kapacitu baterie: minimálně 33 % (viz ilustrovaný popis).

Před zahájením prací může být zapotřebí nabití.

Příprava na řezací proces

Poděpřete a upevněte kabel nebo lano, které chcete řezat, aby se minimalizovalo riziko nekontrolovaného pohybu.

Zejména nadzemní vedení a lana se mohou pohybovat nekontrolovaně a způsobit zranění a / nebo poškození.

Řezná hlava musí být umístěna v úhlu 90° ke kabelu nebo lano tak, aby se bez napětí usadil/lo v otevřených závitových čelistech a zabránilo se tak nepříznivým stříhovým silám.



VAROVÁNÍ: Aby se snížilo nebezpečí výbuchu, zasažení elektrickým proudem a poškození majetku a vybavení, **neřežte nikdy elektrické kabely pod napětím.**

Nástroj NENÍ izolovaný. Dotyk s obvodem pod napětím může vést k těžkému zranění nebo usmrcení. Než provedete řezání, odpojte elektrické napájení. Nikdy neřežte plynové nebo vodní trubky. Nesahejte rukama do blízkosti žádných řezacích břitů a pohyblivých částí. Může dojít k potrhání a amputaci.

Před výměnou nebo odstraněním příslušenství vždy vyjměte sadu baterií. Používejte jen příslušenství výslovně doporučené pro tento nástroj. Jiné může být nebezpečné.

Aby se snížilo nebezpečí zranění, používejte bezpečnostní brýle nebo brýle s bočními štítky.



VAROVÁNÍ: Aby se snížilo nebezpečí zranění, řežte jen materiály doporučené pro nože. (viz „Specifikace“) **Nepokoušejte se řezat jiné materiály.**



Řezání

• Než začnete řezat, ujistěte se, že jsou nože správně namontované.

1. Kabel vedte v pravém úhlu k řezání řezačky kabelů. Nepokoušejte se provádět úhlové řezy, protože by se tím poškodily zpracovávány díl a nože.

2. Pevně uchopte rukojeť/rukojeti.

Během práce táhněte za spoušť a držte ji.

Když zatáhnete za spoušť, rozsvítí se LED kontrolka.

Když je řez proveden nebo se nástroj vypne, uvolněte znovu spouštěč a stiskněte resetovací tlačítko, aby se otevřely závitové čelisti.

Poznámka: Zpracovávány díl se může během řezu lehce pohybovat.

Postup v případě závady

- Kabel může být nařiznutý a být pod napětím, vždy informujte bezpečnostního technika, přerušete proces řezání, učinite vhodná bezpečnostní opatření
- Než se přiblížíte k zařízení a dotknete se ho, vždy se přesvědčte, že je zařízení odpojené od elektrického napájení a také tak zůstane
- Stiskněte a přidržeťte tlačítko resetu, dokud se řezačka úplně neotevře
- zkontrolujte kapacitu baterie
- zkontrolujte materiál a tloušťku materiálu podle technických údajů
- Při podezření na říznutí do kabelu pod napětím musíte nechat zkontrolovat řezačku kabelů v autorizovaném specializovaném servisu

Zaseknuté nože

Špína a nečistoty mohou způsobit zaseknutí nožů po řezání

- Stiskněte a přidržeťte uvolňovací spoušť, aby proběhl reset nástroje.
- Vyjměte sadu baterií.
- Postupujte podle popisu obrázku pro otevření závitových čelistí
- Než začnete další řez, očistěte z nožů veškerou špínu a nečistoty.

Tipy pro řezání

- Nepokoušejte se provádět úhlové řezy, protože by se tím poškodily zpracovávány díl a nože.
- Režte čistý materiál, aby se prodloužila životnost nožů. Než začnete řezat, otřete špínu a nečistoty z materiálu a nožů.

ÚDRŽBA

Před zahájením veškerých prací na vrtacím šroubováku vyjmout výměnný akumulátor.

Nikdy neotevírejte řezačku kabelů, vyjímatelnou baterii nebo nabíječku.

Zkontrolujte řezačku kabelů s ohledem na případné problémy, např. hluk nebo zaseknutí pohyblivých částí, které by mohly mít negativní vliv na nástroj.

Zkontrolujte praskliny a další známky opotřebení řezacích nástrojů.

Po dokončení prací vyčistěte a namažte řezací nástroje.

Zkontrolujte, jestli jsou břity ostré, a vyměňte opotřebované řezací čelisti.

Když se odštipnou nebo jinak poškodí nože, vyměňte je. Nože vždy vyměňujte jako sadu. Používejte jen nože MILWAUKEE.

Zkontrolujte, jestli se řezací nástroje mohou volně pohybovat.

Aby nedošlo ke zranění nebo poškození, neponořujte nikdy nástroj, vyjímatelnou baterii nebo nabíječku do kapaliny a nedovolte, aby do nich nějaká kapalina vnikla.

Větrací štěrbyin nářadí udržujeme stále čisté.

Přístroj obsahuje hydraulický olej, který představuje nebezpečí pro podzemní vodu. Jeho nekontrolované vypouštění nebo neodborná likvidace jsou trestné.

Na zařízení se musí každých šest až dvanáct měsíců, v závislosti na používání, provádět servis.

Více informací o servisních intervalech si můžete vyhledat pomocí aplikace ONE-KEY.

Údržbářské a opravárenské práce smíjí vykonávat jen autorizované specializované dílny.

Používat výhradně příslušenství Milwaukee a náhradní díly Milwaukee. Díly jejichž výměny nebyla popsána, nechte vyměnit v autorizovaném servisu (viz. "Záruky / Seznam servisních míst)

Při potřebě podrobného rozkresu konstrukce, oslovte informaci o typu a čísle přímo servis a nebo výrobce, Techtronic Industries GmbH, Max-Eyth-Straße 10, 71364 Winnenden, Germany.

ONE-KEY™

Abyste se dozvěděli víc o funkci ONE-KEY tohoto nástroje, přečtěte si přiložený návod pro rychlé zahájení práce nebo nás navštivte na internetu na <http://www.milwaukeetool.com/one-key>

Aplikaci ONE-KEY si můžete stáhnout na Váš smartphone z App Store nebo Google Play.

Když dojde k elektrostatickému výboji, komunikace Bluetooth bude odpojena a rozhraní aplikace se ukončí. Žádné použití aplikace v rozmezí 45 sekund. Po 45 sekundách je pro obnovení nutné aplikaci resetovat." Brali jsme v úvahu výsledek, který má být v rámci naší minimální přijatelné úrovně výkonnosti dle EN 301489-1 / EN 301489-17. A zákazníkovi dáme provozní pokyny v uživatelské příručce.

AKUMULÁTORY

Teplota přes 50°C snižuje výkon akumulátoru. Chraňte před dlouhým přehříváním na slunci i u topení.

Kontakty nabíječky a akumulátoru udržujte v čistotě.

Pro optimální životnost je nutné akumulátory po použití plně dobít. Déle nepoužívané akumulátory je nutné před použitím znovu nabít. K zabezpečení dlouhé životnosti by se akumulátory měly po nabíti vyjmout z nabíječky.

Při skladování akumulátoru po dobu delší než 30 dní., Skladujte akumulátor v suchu při cca 27°C., Skladujte akumulátor při cca 30%-50% nabíjecí kapacity., Opakujte nabíjení akumulátoru každých 6 měsíců.

Použitě nevyhazujte do domovního odpadu nebo do ohně. Milwaukee nabízí ekologickou likvidaci starých článků, ptejte se u vašeho obchodníka s nářadím.

Náhradní akumulátor neskladujte s kovovými předměty, nebezpečí zkratu.

PŘEPRAVA LITHIUM-IONTOVÝCH BATERIÍ

Lithium-iontové baterie spadají podle zákonných ustanovení pod přepravu nebezpečného nákladu.

Přeprava těchto baterií se musí realizovat s dodržováním lokálních, vnitrostátních a mezinárodních předpisů a ustanovení.

Spotřebitelé mohou tyto baterie bez problémů přepravovat po komunikacích.

Komerční přeprava lithium-iontových baterií prostřednictvím přepravních firem podléhá ustanovením o přepravě nebezpečného nákladu. Přípravu k vyexpedování a samotnou přepravu smíjí vykonávat jen příslušně vyškolené osoby. Po celý proces se musí odborně dohlížet.

Při přepravě baterií je třeba dodržovat následující:



Zajistěte, aby kontakty byly chráněné a izolované, aby se zamezilo zkratům. Dávejte pozor na to, aby se svazek baterií v rámci balení nemohl sesmeknout. Poškozené a vyteklé baterie se nesmějí přepravovat. Ohledně dalších informací se obraťte na vaši přepravní firmu.

CE-PROHLÁŠENÍ O SHODĚ

Prohlašujeme na naši výhradní odpovědnost, že produkt popsán v části „Technické údaje“ splňuje všechna příslušná ustanovení směrnic

2011/65/EU RoHS, 2006/42/ES, 2014/53/EU
a byly použity následující harmonizované normy

EN 62841-1:2015

EN 62479:2010

EN 55014-1:2017+A11:2020

EN 55014-2:2015

EN 301 489-1 V2.2.3

EN 301 489-17 V3.1.1

EN 300 328 V2.2.2

EN IEC 63000:2018



Winnenden, 2021-04-07

Alexander Krug / Managing Director
Zplnomocněn k sestavování technických podkladů.
Techtronic Industries GmbH
Max-Eyth-Straße 10, 71364 Winnenden, Germany

SYMBOLY



Před spuštěním stroje si pečlivě přečtěte návod k používání.



VAROVÁNÍ!
Nebezpečí poranění odletujícími úlomky.



Při práci se strojem neustále nosit ochranné brýle.



Toto zařízení obsahuje knoflíkovou/mincovou lithiovou baterii.



Nebezpečí úrazu elektrickým proudem



POZOR! VAROVÁN! NEBEZPEČÍ!



Před zahájením veškerých prací na vrtacím šroubováku vyjmout výměnný akumulátor.



Ruce mějte v dostatečné vzdálenosti od řezacího nástroje a jiných pohyblivých dílů. Prsty se mohou dostat do řezacího mechanismu a může dojít k jejich poranění nebo uříznutí.



Příslušenství není součástí dodávky, viz program příslušenství.



Elektrická zařízení, baterie/akumulátory se nesmí likvidovat společně s odpadem z domácností. Elektrická zařízení, baterie/akumulátory je třeba sbírat odděleně a odevzdat je v recyklačním podniku na ekologickou likvidaci. Na místních úřadech nebo u vašeho specializovaného prodejce se informujte na recyklační podniky a sběrné dvory.

V Napájení



Stejnoseměrný proud



Značka shody v Evropě



Značka shody v Británii



Značka shody na Ukrajině



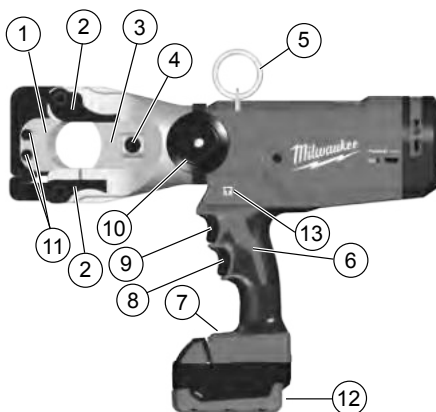
Značka shody pro oblast Eurasie



TECHNICKÉ ÚDAJE	M18 HCC45
Strihač káblov	
Výrobné číslo	4772 37 01... ... 000001-999999
Frekvenčné pásmo	2402-2480 MHz
Vysokofrekvenčný výkon	1,8 dBm
Napätie výmenného akumulátora	18 V
Moč stiskania	77,8 kN
Rezný rozsah	Závisí od typu kábla
ACSR: Hliník-/Jeklena pletenica	
Meď / Hliník	
Hmotnosť podľa vykonávacieho predpisu EPTA 01/2014 (Li-Ion 2,0 Ah...9,0Ah)	6 kg...6,6 kg
Odporúčaná teplota okolia pre prevádzku	-18°C ... +50°C
Odporúčané akupaky	M18B...
Odporúčané nabíjačky	M12-18...
Informácia o hluku	
Namerané hodnoty určené v súlade s EN 62841. V triede A posudzovaná hladina hluku prístroja činí typicky:	
Hladina akustického tlaku (Kolísavosť K=3dB(A))	76,9 dB(A)
Hladina akustického výkonu (Kolísavosť K=3dB(A))	87,9 dB(A)
Používajte ochranu sluchu!	
Informácie o vibráciách	
Celkové hodnoty vibrácií (vektorový súčet troch smerov) zistených zmysle EN 62841.	
Hodnota vibračných emisií _h	1,2 m/s ²
Kolísavosť K=	1,5 m/s ²



Slov



Opis zariadenia

- | | |
|------------------------------------|----------------------|
| ① Sprednje rezilo | ⑦ LED |
| ② Ročice za aktivovanie čelusti | ⑧ Uvoľňovací spúšťač |
| ③ Zadnje rezilo | ⑨ Spúšťač |
| ④ Prítrdilni sornik rezila | ⑩ Prídavná rukoväť |
| ⑤ Držalo | ⑪ 5 mm Inbus vijaki |
| ⑥ Rukoväť izolovaná úchopná plocha | ⑫ Akumulátor |
| | ⑬ Indikátor ONE KEY |

⚠ POZOR Prečítajte si všetky bezpečnostné upozornenia, pokyny, vyobrazenia a údaje, ktoré dostanete spolu s prístrojom. Zanedbanie dodržiavania Výstražných upozornení a pokynov uvedených v nasledujúcom texte môže mať za následok zásah elektrickým prúdom, spôsobiť požiar a/alebo ťažké poranenie.

Tieto Výstražné upozornenia a bezpečnostné pokyny starostlivo uschovajte na budúce použitie.

⚠ BEZPEČNOSTNÉ UPOZORNENIA PRE STRIHAČE KÁBLOV

Za účelom zníženia rizika výbuchu, úrazu elektrickým prúdom a poškodenia majetku a vybavenia nikdy nerezte živé elektrické káble. Nástroj NIE JE izolovaný.

Ruky i voľnejší odev držte zďaleka od strižných nástrojov a iných pohyblivých častí. Existuje riziko vážneho poranenia, vrátane amputácie končatín.

Doporučujeme taktiež použitie súčastí ochranného odevu a ochrannej obuvi, ako sú protiprašná maska, ochranné rukavice, pevná a neklzájúca obuv, ochranná prilba a ochrana sluchu. Použite ochranné vybavenie. Pri práci s rezačkou káblov vždy používajte ochranné okuliare.

Zabráňte náhodnej aktivácii rezačky káblov. Pred pripojením na vymeniteľnú batériu zaistíte, aby bol spúšťač zabezpečený spínacím zámkom.

Nikdy nedržte rezačku káblov za rezné čeluste.

Pred použitím vždy skontrolujte rezné čeluste ohľadom prasklín a iných známkach opotrebenia.

Rezačku káblov, vymeniteľnú batériu a nabíjačku používajte len vtedy, ak sú v perfektnom technickom stave.

Poškodenia nechajte okamžite opraviť v autorizovanej špecializovanej dielni.

Slovensky

Pred každou prácou na stroji výmenný akumulátor vytiahnuť. Rezačka káblov sa smie používať iba s vloženým rezným nástrojom. Pred vykonaním rezu odstráňte akékoľvek nastavovacie nástroje a maticové kľúče.

Aby nedošlo k poraneniu a poškodeniam, nikdy neponárajte nástroj, vymeniteľnú batériu ani nabíjačku do kvapaliny a zabráňte vniknutiu kvapaliny do nich.

Držte rezačku káblov oboma rukovätami.

Výmenné akumulátory systému M18 nabíjajte len nabíjacími zariadeniami systému M18. Akumulátory iných systémov týmto zariadením nenabíjajte.

Výmenné akumulátory a nabíjacie zariadenia neatvárať a skladovať len v suchých priestoroch. Chrániť pred vlhkosťou.

Aby ste zabránili nebezpečenstvu požiaru spôsobeného skratom, poraneniam alebo poškodeniam výrobku, neponárajte náradie, výmennú batériu alebo nabíjačku do kvapalín a postarajte sa o to, aby do zariadení a akumulátorov nevnikli žiadne tekutiny. Korodujúce alebo vodivé kvapaliny, ako je slaná voda, určité chemikálie a bieliace prostriedky alebo výrobky, ktoré obsahujú bieliadlo, môžu spôsobiť skrat.

POZOR



Toto zariadenie obsahuje gombíkovú/mincovú lítiovú batériu. Nová alebo použitá batéria môže spôsobiť vážne vnútorné popáleniny a viesť k usmrteniu do 2 hodín v prípade, že je prehriatá alebo vstúpi do tela. Vždy zaistite kryt batérového priestoru. Ak sa bezpečne neuzavrie, zariadenie zastavte, vyberte batériu a držte ju mimo dosahu detí. Ak si myslíte, že niekto prehltol batériu alebo že inak vstúpila do tela, okamžite vyhľadajte lekársku pomoc.

ZVYŠKOVÉ RIZIKÁ

Predtým, než začne proces rezania, musí byť prístup zablokovaný v súlade s miestnymi predpismi.

Vždy reže iba káble, ktoré boli odpojené od prívodu elektrickej energie!

Kabli in pletenice ne smeo biti izpostavljene mehanskim silam.

Nedodržanie tohto pokynu môže viesť k vážnemu poraneniu, úmrtiu, požiaru a iným škodám na majetku v dôsledku zásahu elektrickým prúdom, výbuchu a/alebo elektrických oblúkov.

Noste ochranné okuliare.

POUŽITIE PODĽA PREDPISOV

Rezalnik káblov je primeren za ločevanje breznapetostnih káblov iz izoliranega bakra ali aluminija, ACSR-Seilne (pletence iz aluminija/jekla) in jeklenih pletenic, vsakokrat odvisno od tipa kabla.

Rezanje oziroma ločevanje káblov in pletenic s tem rezalnikom káblov sme izvajati samo oseba z elektrotehničnim znanjem.

Operátor tejto rezačky káblov musí byť poučený o konkrétnych nebezpečenstvách spojených s používaním tejto rezačky káblov a o základných bezpečnostných opatreniach pred prvotným začatím práce s ňou a potom minimálne raz za rok.

Prevádzkujúca spoločnosť musí:

- dať prevádzkový manuál k dispozícii operátorovi a
- uistiť sa, že operátor si ho prečítal a pochopil.



POZOR Prečítajte si všetky bezpečnostné upozornenia, pokyny, vyobrazenia a údaje, ktoré dostanete spolu s prístrojom. Zanedbanie dodržiavania Výstražných upozornení a pokynov uvedených v nasledujúcom texte môže mať za následok zásah elektrickým prúdom, spôsobiť požiar a/alebo ťažké poranenie.

Tieto Výstražné upozornenia a bezpečnostné pokyny starostlivo uschovajte na budúce použitie.

POUŽITIE

Nastavenie pracovnej oblasti

Pred začatkom dela je treba vzpostaviti breznapetostno stanje napeljav ali pletenic in to stanje zagotoviti, dokler trajajo dela.

Ak nemožno bez pochyb zabezpečiť, že kábel alebo izolované vedenie sú odpojené, nesmiete tu vykonávať žiadnu prácu.

Obvezno je treba upoštevati varnostne predpise in pravila.

Kabli in pletence ne smeo biti izpostavljene mehanskim silam in morajo biti po potrebi zavarovani pred nenadzorovanimi premiki po rezu.

Prístroj nevystavujte dažđu a nepoužívajte v mokrom prostredí.

Príprava rezačky káblov a batérie

Pred každým použitím:

- Skontrolujte rezačku káblov ohľadom vonkajších chýb
- Skontrolujte rezný nástroj ohľadom prasklín a iných známk opotrebenia

Používajte len v bezchybnom stave!

Predtým, než začne proces rezania, musí byť skontrolovaná kapacita batérie: minimálne 33% (pozri ilustrovaný opis).

Pred začatím prác môže byť nutné nabíjanie.

Príprava na rezanie

Podprite in fiksirajte kábel ali pletenco, ki jo želite rezati, da zmanjšate tveganje nenadzorovanega premika.

Zlasti nadzemni vodi in pletence se lahko nenadzorovano premikajo in povzročijo telesne poškodbe in/ali poškodbe.

Rezilna glava mora biti glede na kábel ali pletenco postavljená pod 90-stopijnjskim kotom, tako da se ta brez napetosti nalega v odprtih rezilnih čeljustih in da se prepreči neugodne strižne sile.



POZOR: Za účelom zníženia rizika výbuchu, úrazu elektrickým prúdom a poškodenia majetku a vybavenia nikdy nerezte živé elektrické káble.

Nástroj NIE JE izolovaný. Kontakt so živým okruhom by mohol mať za následok vážne zranenie alebo úmrtie. Pred rezom vypnite prívod elektrického prúdu. Nikdy nerezte plynové vedenia ani vodovody. Ruky držte v bezpečnej vzdialenosti od všetkých rezných hrán a pohyblivých častí. Mohlo by dôjsť k tržným ranám alebo k amputácii končatín.

Pred výmenou alebo odobratím príslušenstva vždy vyberte akumulátorový článok. Používajte iba príslušenstvo špecificky odporúčané pre tento nástroj. Iné môže byť nebezpečné.

Na zníženie rizika zranenia používajte ochranné okuliare alebo okuliare s bočnými ochrannými štítkmi.



POZOR: Pre zníženie rizika zranenia reže iba materiály odporúčané pre čepele. (pozri „Špecifikácia“) Nepokúšajte sa rezať iné materiály.

Rezanie

• Pre rezaním sa uistite, že čepele sú správne namontované.

1. Speljite kábel pravokotno na rezla rezalnika káblov. Nepokúšajte sa vykonávať rezy pod uhlom, pretože by ste poškodili obrobok a čepele.



2. Pevne uchopte rukoväť / rukoväťe.
Ťahajte a držte spúšťač počas celej operácie.
LED sa rozsvieti pri potiahnutí spúšťača.
Ke je rez izveden ali ko je orodje izklopjeno, spustite sprožilo in aktivirajte ponastavitveno stikalo, da se odprejo rezilne čeljusti.
Poznámk: Obrobok sa môže počas rezu mierne pohybovať.

Postup v prípade poruchy

- Kabel je lahko poškodovan ali pod napetostjo, o tem vedno obvestite odgovorno osebo za varnost, prekinite postopek rezanja, uvedite ustrezne varnostne ukrepe.
- Vždy sa uistite, že zariadenje je a zostane odpojené od napajania pred tým, než sa k nemu približíte a dotknete sa ho
- stlačte a podržte resetovacie tlačidlo, kým sa rezačka úplne neotvori
- skontrolujte kapacitu batérie
- skontrolujte materiál a hrúbku materiálu podľa technických údajov
- Ak je podozrenie, že bol narezaný živý kábel, rezačka káblom musí byť skontrolovaná v autorizovanom odbornom servise



Slov

Zaseknuté čepele

Špina a nečistoty môžu spôsobiť, že čepele sa dohromady zaseknú po vykonaní rezu

- Stlačte a podržte uvoľňovací spúšťač, aby ste zabezpečili resetovanie nástroja.
- Vyberte akumulátorový článok.
- Za odpiranje rezilnih čeljusti si ogledjte opis slike.
- Pred začatím ďalšieho rezu očistite z čepeľi špinu a nečistoty.

Tipy k rezaniu

- Nepokúšajte sa vykonávať rezy pod uhlom, pretože by ste poškodili obrobok a čepele.
- Režte čistý materiál, aby ste predĺžili životnosť čepele. Pred začatím rezu utrite špinu a nečistoty z materiálu a čepeľi.

ÚDRZBA

Pred každou prácou na stroji výmenný akumulátor vytiahnuť. Nikdy neotvárajte rezačku káblom, vymeniteľnú batériu ani nabíjačku.

Skontrolujte rezačku káblom ohľadom akýchkoľvek problémov, ako je hluk alebo zaseknutie pohyblivých častí, ktoré by mohli mať negatívny vplyv na nástroj.

Skontrolujte rezný nástroj ohľadom prasklín a iných známk opotrebenia.

Po dokončení prác vyčistite a namažte rezné nástroje.

Skontrolujte ostrosť rezných hrán a opotrebované rezné čeluste vymeňte.

Čepele vymeňte, keď sú ich časti odlomené alebo poškodené. Vždy vymeňte čepele ako jednu súpravu. Používajte výhradne čepele MILWAUKEE.

Skontrolujte voľný pohyb rezných nástrojov.

Aby nedošlo k poraneniu a poškodeniam, nikdy neponárajte nástroj, vymeniteľnú batériu ani nabíjačku do kvapaliny a zabráňte vniknutiu kvapaliny do nich.

Vetracie otvory udržiavať stále v čistote.

Pristroj obsahuje hydraulický olej, ktorý predstavuje nebezpečenstvo pre podzemnú vodu. Jeho nekontrolované vypúšťanie alebo neodborná likvidácia sú trestné.

Zariadenie by malo byť servisované každých šesť až dvanásť mesiacov, v závislosti na spôsobe použitia.

O servisných intervaloch sa môžete dozvedieť viac cez aplikáciu ONE-KEY.

Údržbárske a opravárenské práce smú vykonávať len autorizované špecializované dielne.

Používať len Milwaukee príslušenstvo a Milwaukee náhradné diely. Súčiastky bez návodu na výmenu treba dat vymeniť v jednom z Milwaukee zákaznických centier (viď brožúru Záruka/Adresy zákaznických centier).

Pri udaní typu stroja a čísla nachádzajúceho sa na štítku dá sa v prípade potreby vyžiadať explozivná schéma prístroja od vášho zákaznického centra alebo priamo v Techtronic Industries GmbH, Max-Eyth-Straße 10, 71364 Winnenden, Germany.

ONE-KEY™

Ak sa chcete viac dozvedieť o funkcii ONE KEY na tomto nástroji, prečítajte si priložený návod pre rýchly start alebo navštívte našu internetovú stránku <http://www.milwaukeeetool.com/one-key> Aplikáciu ONE KEY si môžete na svoj smartphone stiahnuť z app storeu alebo z Google Play.

Če príde do elektrostatické razelektrivte, se komunikacija prek tehnologije Bluetooth prekine in vmesnik za aplikacijo se zapre. Aplikacije naslednjih 45 sekund ni mogoče uporabljati. Po 45 sekundah je treba aplikacijo ponastaviti, da se obnovi." Ugotovili smo, da so rezultati znotraj najmanjših vrednosti, sprejemljivih za raven učinkovitosti korozije, v skladu z EN 301489-1/EN 301489-17. In uporabniku bomo v navodilih za uporabo navedli smernice za obratovanje.

AKUMULÁTORY

Teplota vyššia ako 50°C znižuje výkon výmenného akumulátora. Zabráňte dlhšiemu ohriatiu slnkom alebo kúrením.

Pripájacie kontakty na nabíjacom zariadení a výmennom akumulátore udržiavať čisté.

Pre optimálnu životnosť je nutné akumulátory po použití plne dobiť. Dlhší čas nepoužívané výmenné akumulátory pred použitím dobiť.

K zabezpečeniu dlhej životnosti by sa akumulátory mali po nabití vybrať z nabíjačky.

Pri skladovaní akumulátora do dobu dlhšiu než 30 dní: Skladujte akumulátor v suchu pri cca 27°C. Skladujte akumulátor pri cca 30%-50% nabíjacej kapacity., Opakujte nabíjanie akumulátora každých 6 mesiacov.

Opotrebované výmenné akumulátory nezahadzujte do ohňa alebo medzi domový odpad. Milwaukee ponúka likvidáciu starých výmenných akumulátorov, ktorá je v súlade s ochranou životného prostredia; informujte sa u Vášho predajcu.

Výmenné akumulátory neskladovať spolu s kovovými predmetmi (nebezpečenstvo skratu).

PREPARA LÍTIOVO-IÓNOVÝCH BATÉRIÍ

Lítovo-iónové batérie podľa zákonných ustanovení spadajú pod prepravu nebezpečného nákladu.

Preprava týchto batérií sa musí realizovať s dodržiavaním lokálnych, vnútroštátnych a medzinárodných predpisov a ustanovení. Spotrebiteľia môžu tieto batérie bez problémov prepravovať po cestách.

Komerčná preprava lítovo-iónových batérií prostredníctvom špedičných firm predlieha ustanoveniam o preprave nebezpečného nákladu. Prípravu k vyexpedovaniu a samotnú prepravu smú vykonávať iba adekvátne vyškolené osoby. Na celý proces sa musí odborne dohliadať.

Pri preprave batérií treba dodržiavať nasledovné:

Slovensky

Zabezpečte, aby boli kontakty chránené a izolované, aby sa zamedžilo skratom. Dávajte pozor na to, aby sa zvázok batérií v rámci balenia nemohol zošmyknúť. Poškodené a vytečené batérie sa nesmú prepravovať. Kvôli ďalším informáciám sa obráťte na vašu špedičnú firmu.

CE - VYHLÁSENIE KONFORMITY

Na našu výhradnú zodpovednosť vyhlasujeme, že produkt popísaný v časti „Technické údaje“ spĺňa všetky príslušné ustanovenia smerníc

2011/65/EÚ RoHS, 2006/42/ES, 2014/53/EÚ
a boli použité nasledovné harmonizované normy
EN 62841-1:2015
EN 62479:2010
EN 55014-1:2017+A11:2020
EN 55014-2:2015
EN 301 489-1 V2.2.3
EN 301 489-17 V3.1.1
EN 300 328 V2.2.2
EN IEC 63000:2018




Winnenden, 2021-04-07


Alexander Krug / Managing Director
Splnomocnený zostaviť technické podklady.
Techtronic Industries GmbH
Max-Eyth-Straße 10, 71364 Winnenden, Germany


SYMBOLY

-  Pred prvým použitím prístroja si pozorne prečítajte návod na obsluhu.
-  **POZOR!**
Výstraha pred odmrštenými predmetmi
-  Pri práci so strojom vždy noste ochranné okuliare.
-  Toto zariadenie obsahuje gombíkovú/mincovú lítiovú batériu.
-  Nebezpečenstvo úderu elektrickým prúdom
-  **POZOR! NEBEZPEČENSTVO!**
-  Pred každou prácou na stroji výmenný akumulátor vytiahnuť.
-  Ruky držte zďaleka od strižného nástroja a iných pohyblivých častí. Prsty sa totiž môžu dostať do strižného mechanizmu, následkom čoho môže dôjsť k ich oddeleniu alebo poraneniu.
-  Príslušenstvo - nie je súčasťou štandardnej výbavy, odporúčané doplnenie z programu príslušenstva.
-  Elektrické zariadenia, batérie/akumulátory sa nesmú likvidovať spolu s odpadom z domácnosti. Elektrické zariadenia, batérie/akumulátory treba zbierať oddelene a odovzdať ich v recyklačnom podniku na ekologickú likvidáciu. Na miestnych úradoch alebo u vášho špecializovaného predajcu sa spýtajte na recyklačné podniky a zberné dvory.


V Napätie

 Jednosmerný prúd

 Značka zhody v Európe

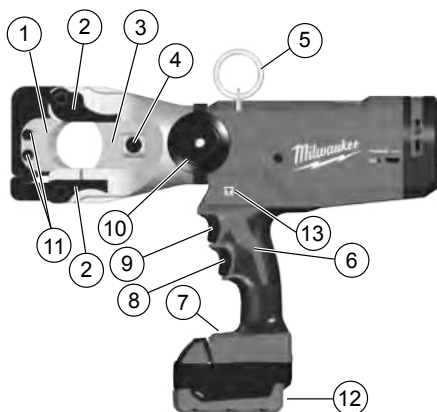
 Značka zhody v Británii

 Značka zhody na Ukrajině

 Značka zhody pre oblasť Eurázie



DANE TECHNICZNE	M18 HCC45
Nożyce do kabli	
Numer produkcyjny	4772 37 01... ... 000001-999999
zakres częstotliwości	2402-2480 MHz
moc częstotliwości radiowej	1,8 dBm
Napięcie baterii akumulatorowej	18 V
Siła znamionowa	77,8 kN
Zakres cięcia W zależności od rodzaju kabla	maks. Ø 44 mm
ACSR: Aluminium-/Stalowe liny Miedz / Aluminium	
Ciężar wg procedury EPTA 01/2014 (Li-Ion 2,0 Ah...9,0Ah)	6 kg...6,6 kg
Zalecana temperatura otoczenia w trakcie eksploatacji	-18°C ... +50°C
Zalecane zestawy akumulatorowe	M18B...
Zalecane ładowarki	M12-18...
Informacja dotycząca szumów	
Zmierzone wartości wyznaczono zgodnie z normą EN 62841.	
Poziom szumów urządzenia oszacowany jako A wynosi typowo:	
Poziom ciśnienia akustycznego (Niepewność K=3dB(A))	76,9 dB(A)
Poziom mocy akustycznej (Niepewność K=3dB(A))	87,9 dB(A)
Należy używać ochroniaczy uszu!	
Informacje dotyczące wibracji	
Wartości łączne drgań (suma wektorowa trzech kierunków) wyznaczone zgodnie z normą EN 62841	
Wartość emisji drgań _a	1,2 m/s ²
Niepewność K=	1,5 m/s ²



Opis urządzenia

- | | |
|---|---------------------------------------|
| ① Przedni lemiesz | ⑦ Dioda LED |
| ② Dźwignie zwalnijące szczęki | ⑧ Spust zwalnijający |
| ③ Tylny lemiesz | ⑨ Spust |
| ④ Sworzeń mocujący lemiesz | ⑩ Dodatkowa rękojeść |
| ⑤ Wieszczo | ⑪ 5 mm śruby z gniazdem sześciokątnym |
| ⑥ Uchwyt izolowana powierzchnia uchwytu | ⑫ Akumulator |
| | ⑬ Wskaźnik ONE KEY |

OSTRZEŻENIE!

Podany w niniejszych instrukcjach poziom drgań został zmierzony za pomocą metody pomiarowej zgodnej z normą EN 62841 i może być użyty do porównania ze sobą elektronarzędzi. Nadaje się on również do tymczasowej oceny obciążenia wibracyjnego.

Podany poziom drgań reprezentuje główne zastosowania elektronarzędzia. Jeśli jednakże elektronarzędzie użyte zostanie do innych celów z innymi narzędziami roboczymi lub nie jest dostatecznie konserwowane, wtedy poziom drgań może wykazywać odchylenia. Może to wyraźnie zwiększyć obciążenie wibracjami przez cały okres pracy.

Dla dokładnego określenia obciążenia wibracjami należy uwzględnić również czasy, w których urządzenie jest wyłączone względnie jest włączone, lecz w rzeczywistości nie pracuje. Może to spowodować wyraźną redukcję obciążenia wibracyjnego w całym okresie pracy. Należy wprowadzić dodatkowe środki zapobiegawcze celem ochrony obsługującego przed oddziaływaniem drgań, jak na przykład: konserwacja narzędzi roboczych i elektronarzędzi, nagranie rąk, organizacja przebiegu pracy.

OSTRZEŻENIE Przeczytać wszystkie wskazówki bezpieczeństwa, instrukcje, ilustracje i dane dołączone do urządzenia. Błędy w przestrzeganiu poniższych wskazówek mogą spowodować porażenie prądem, pożar i/lub ciężkie obrażenia ciała. **Należy starannie przechowywać wszystkie przepisy i wskazówki bezpieczeństwa dla dalszego zastosowania.**

WSKAZÓWKI BEZPIECZEŃSTWA DLA NOŻYC DO KABLI

W celu zmniejszenia ryzyka wybuchu, porażenia prądem elektrycznym i szkód materialnych i sprzętowych, nigdy nie przecinać kabli elektrycznych znajdujących się pod napięciem. Narzędzie NIE jest izolowane.

Trzymać ręce i luźne elementy ubrania z dala od narzędzi tnących i innych ruchomych części. Występuje ryzyko poważnych obrażeń, w tym obrażeń kończyn.

Zalecana jest odzież ochronna, jak maska pyłochronna, rękawice ochronne, mocne i chroniące przed poślizgiem obuwie, kask i ochronniki słuchu.

Stosować wyposażenie ochronne. Podczas pracy z przecinarką do kabli zawsze nosić okulary ochronne.

Zapobiegać przypadkowemu włączeniu przecinarki do kabli. Przed podłączeniem wymiennego akumulatora upewnić się, że spust jest zabezpieczony blokadą wyłącznika.

Nigdy nie trzymać przecinarki do kabli za szczęki tnące.

Przed użyciem zawsze sprawdzić szczęki tnące pod kątem pęknięć i innych oznak zużycia.

Używać przecinarki do kabli, wymiennej baterii i ładowarki wyłącznie w nienagannym stanie technicznym.

Naprawę uszkodzeń należy natychmiast zlecić autoryzowanemu warsztatowi specjalistycznemu.

Przed przystąpieniem do jakichkolwiek prac na elektronarzędziu należy włożyć wkładkę akumulatorową.

Przecinarki do kabli można używać wyłącznie z zamontowanym narzędziem tnącym.

Przed dokonaniem cięcia usunąć wszelkie narzędzia nastawcze i klucze.

W celu uniknięcia obrażeń lub szkód nigdy nie należy zanurzać narzędzia, wymiennej baterii ani ładowarki w cieczy ani nie dopuszczać, aby ciecz przeniknęła do ich wnętrza.

Zawsze trzymać przecinarkę do kabli za oba uchwyty.

Akumulatory Systemu M18 należy ładować wyłącznie przy pomocy ładowarek Systemu M18. Nie ładować przy pomocy tych ładowarek akumulatorów innych systemów.

Nie otwierać wkładek akumulatorowych i ładowarek.

Przechowywać w suchych pomieszczeniach. Chronić przed wilgocią.

Aby uniknąć niebezpieczeństwa pożaru, obrażeń lub uszkodzeń produktu na skutek zwarcia, nie wolno zanurzać narzędzia, akumulatora wymiennego ani ładowarki w cieczach i należy zatroszczyć się o to, aby do urządzeń i akumulatorów nie dostały się żadne ciecz. Zwarcie spowodować mogą korodujące lub przewodzące ciecz, takie jak woda morska, określone chemikalia i wybielacze lub produkty zawierające wybielacze.

OSTRZEŻENIE



Urządzenie posiada guzikową baterię litową. W przypadku poknięcia lub dostania się do organizmu nowej lub używanej baterii może dojść do poparzenia wewnętrznych części ciała a nawet śmierci w ciągu zaledwie 2 godzin. Zawsze zabezpieczyć pokrywę na komorze baterii. Jeśli nie zostanie bezpiecznie zamknięta, zatrzymać urządzenie, usunąć baterię i trzymać ją w miejscu niedostępnym dla dzieci. W razie stwierdzenia poknięcia lub dostania się baterii do organizmu w inny sposób, należy niezwłocznie skonsultować się z lekarzem.

ZAGROŻENIA RESZTKOWE

Przed rozpoczęciem cięcia odpowiedni obszar zamknąć i zabezpieczyć przed dostępem zgodnie z lokalnymi przepisami.

Ciąć wyłącznie kable niezajdujące się pod napięciem!

Kable i liny nie mogą być poddawane działaniu sił mechanicznych.

W przypadku nieprzestrzegania niniejszej instrukcji istnieje zagrożenie poważnych obrażeń, śmierci, pożaru lub innych szkód materialnych spowodowanych porażeniem prądem elektrycznym, wybuchem i/lub łukiem elektrycznym.

Należy nosić okulary ochronne.

WARUNKI UŻYTKOWANIA

Przecinarka do cięcia kabli jest przeznaczona do przecinania niezajdujących się pod napięciem izolowanych kabli miedzianych lub aluminiowych wzgl. lin z ACSR (liny aluminiowe/stalowe), lin stalowych, w zależności od typu.

Przecinanie lub rozcinanie kabli i lin za pomocą przecinarki może być wykonywane wyłącznie przez osoby poinstruowane w zakresie przeprowadzania prac elektrotechnicznych.

Przed rozpoczęciem pracy z przecinarką do kabli po raz pierwszy, a potem co najmniej raz w roku operator przecinarki do kabli musi zostać poinstruowany w zakresie określonych zagrożeń związanych z jej użytkowaniem oraz w zakresie najważniejszych środków bezpieczeństwa.

Eksploatator musi:

- udostępnić instrukcję użytkowania operatorowi i
- upewnić się, że operator przeczytał ją i zrozumiał.



OSTRZEŻENIE Przeczytać wszystkie wskazówki bezpieczeństwa, instrukcje, ilustracje i dane dołączone do urządzenia. Błędy w przestrzeganiu poniższych wskazówek mogą spowodować porażenie prądem, pożar i/lub ciężkie obrażenia ciała. **Należy starannie przechowywać wszystkie przepisy i wskazówki bezpieczeństwa dla dalszego zastosowania.**

UŻYCIĘ

Przygotowanie obszaru roboczego

Przed rozpoczęciem cięcia należy zapewnić, aby podczas trwania prac przewody lub liny nie znajdowały się pod napięciem.

W przypadku, gdy nie da się jednoznacznie stwierdzić, że kabel lub izolowany przewód został odłączony, nie wolno wykonywać żadnych prac.

Bezwzględnie należy przestrzegać lokalnych przepisów bezpieczeństwa i regulacji.

Kable i liny nie mogą być poddawane działaniu sił mechanicznych i należy je w razie konieczności zabezpieczyć przed niekontrolowanymi ruchami po wykonaniu cięcia.

Nie wystawiać narzędzi na działanie deszczu. Nie używać narzędzi w miejscach wilgotnych lub mokrych.

Przygotowanie przecinarki do kabli i baterii

Przed każdym użyciem:

- Sprawdzić przecinarkę do kabli pod kątem wad zewnętrznych
- Sprawdzić narzędzie tnące pod kątem pęknięć i innych oznak zużycia

Używać wyłącznie w nienagannym stanie!

Przed rozpoczęciem cięcia sprawdzić pojemność baterii: minimum 33% (patrz opis na ilustracji).

W razie konieczności naładować przed rozpoczęciem pracy.

Przygotowanie procesu cięcia

Podęprzeć i unieruchomić przecinany kabel lub linę w celu minimalizacji ryzyka wynikającego z niekontrolowanego ruchu kabla.

W szczególności przewody i liny napowietrzne mogą w sposób nieskrolowany się poruszyć, powodując obrażenie i / lub szkody.

Głowicę tnącą należy przyłożyć do kabla lub liny pod kątem 90° tak, aby bez naprężenia znalazła się ona w otwartych szczękach tnących, eliminując powstanie niekorzystnych sił tnących.



OSTRZEŻENIE: W celu zmniejszenia ryzyka wybuchu, porażenia prądem elektrycznym i szkód materialnych i sprzętowych, nigdy nie przecinać kabli elektrycznych znajdujących się pod napięciem.

Narzędzie NIE jest izolowane. Kontakt z obwodem elektrycznym znajdującym się pod napięciem może spowodować poważne obrażenia lub śmierć. Przed wykonywaniem cięcia należy wyłączyć zasilanie. Nigdy nie wolno przecinać przewodów gazowych ani wodociągów. Ręce należy trzymać z dala od krawędzi tnących i ruchomych elementów. Występuje ryzyko ciężkich obrażeń lub obciążenia kończyn.

Przed wymianą lub usuwaniem wyposażenia zawsze należy wyciągnąć wymienną baterię. Zawsze należy używać wyłącznie wyposażenia specjalnie zalecanego dla tego narzędzia. Używanie innego wyposażenia jest niebezpieczne.

Aby zmniejszyć ryzyko obrażeń, zawsze należy nosić okulary ochronne lub okulary z osłonami bocznymi.



⚠️ OSTRZEŻENIE: W celu zredukowania ryzyka obrażeń, ciąć wyłącznie materiały zalecane dla ostrzy. (patrz „Specyfikacje”) Nie próbować ciąć innych materiałów.

Cięcie

• Przed rozpoczęciem cięcia należy się upewnić, że ostrza są prawidłowo zamontowane.

1. Kabel należy wprowadzić na ostrza przecinarki pod kątem prostym. Nie próbować wykonywać ukośnych cięć, ponieważ uszkodzi to kabel, jak i ostrza.

2. Mocno chwycić uchwyt(y).
Wcisnąć i przytrzymać spust.

Gdy spust jest wciśnięty, świeci się dioda LED.

Po dokonaniu cięcia lub gdy narzędzie się wyłączy, należy ponownie zwolnić mechanizm wyłączający i uruchomić przycisk resetu, aby szczerki tnące się otworzyły.

Uwaga: Podczas przecinania kabel może się delikatnie przesunąć.

Postępowanie w przypadku błędów

• kabel może być nacięty lub znajdować się pod napięciem, zawsze zawiadomić inspektora BHP, przerwać proces cięcia, zastosować odpowiednie środki bezpieczeństwa

• Przed podejściem do urządzenia i dotknięciem go zawsze upewnić się, że nie znajduje się ono pod napięciem i pozostanie w takim stanie

• wcisnąć i przytrzymać przycisk reset, aż przecinarka w pełni się otworzy

• sprawdzić pojemność baterii

• sprawdzić materiał i jego grubość w oparciu o dane techniczne

• W przypadku podejrzenia przecięcia kabla znajdującego się pod napięciem, przecinarka musi zostać poddana kontroli w autoryzowanym warsztacie specjalistycznym

Zakleszczone krawędzie tnące

Zabrudzenia i przylegające pozostałości mogą doprowadzić do tego, że po wykonaniu cięcia krawędzie tnące zakleszczą się

• Wcisnąć i przytrzymać spust zwalniający aby upewnić się, że narzędzie zostało zresetowane.

• Usunąć wymienne baterie.

• Należy postępować zgodnie z opisem na obrazku dotyczącym otwierania szczerk tnących

• Wyczyścić wszelkie zabrudzenia z krawędzi tnących przed rozpoczęciem kolejnego cięcia.

Wskazówki dotyczące przecinania kabli

• Nie próbować wykonywać ukośnych cięć, ponieważ uszkodzi to kabel, jak i ostrza.

• Ciąć wyłącznie czyste kable, co pozwoli wydłużyć żywotność ostrzy. Wytrzeć zabrudzenia i przylegające pozostałości z kabli i ostrzy przed rozpoczęciem cięcia.

UTRZYMANIE I KONSERWACJA

Przed przystąpieniem do jakichkolwiek prac na elektronarzędziu należy wyjąć wkładkę akumulatorową.

Nigdy nie otwierać przecinarki, wymiennej baterii ani ładowarki.

Sprawdzić przecinarkę pod kątem jakichkolwiek problemów takich jak hałas, zakleszczanie się ruchomych elementów, co może mieć wpływ na prawidłowe działanie narzędzia.

Sprawdzić narzędzia tnące pod kątem pęknięć i innych oznak zużycia.

Po zakończeniu pracy wyczyścić i nasmarować narzędzia tnące.

Sprawdzić, czy krawędzie tnące są ostre a zużyte szczerki tnące wymienić.

Wymienić ostrza, gdy są wyszczerbione lub uszkodzone. Zawsze wymieniać ostrza parami. Używać wyłącznie ostrzy firmy MILWAUKEE.

Sprawdzić, czy narzędzia tnące poruszają się swobodnie.

W celu uniknięcia obrażeń lub szkód nigdy nie należy zanurzać narzędzia, wymiennej baterii ani ładowarki w cieczy ani nie dopuszczać, aby ciecz przeniknęła do ich wnętrza.

Otwory wentylacyjne elektronarzędzia muszą być zawsze drożne.

Urządzenie zawiera olej hydrauliczny, który stanowi zagrożeniem dla wody gruntowej. Niekontrolowane spuszczenie oleju lub niewłaściwe usuwanie oleju do odpadów jest karalne.

Urządzenie powinno być poddawane konserwacji co sześć do dwunastu miesięcy, w zależności od użytkowania.

Więcej informacji na temat okresów międzyprzebiegów znaleźć można za pomocą aplikacji ONE-KEY.

Roboty konserwacyjne i roboty naprawcze mogą być wykonywane wyłącznie przez autoryzowane warsztaty specjalistyczne.

Używać tylko i wyłącznie wyposażenia dodatkowego Milwaukee i części zamiennych Milwaukee. Gdyby trzeba było wymienić części, które nie zostały opisane, należy skontaktować się z przedstawicielem serwisu Milwaukee (patrz wykaz adresów punktów usługowych/gwarancyjnych).

Na życzenie można otrzymać rysunek widoku zespołu rozebranego.

Przy zamawianiu należy podać numer oraz typ elektronarzędzia umieszczonego na tabliczce znamionowej. Zamówienia można dokonać albo u lokalnych przedstawicieli serwisu, albo bezpośrednio w Techricon Industries GmbH, Max-Eyth-Straße 10, 71364 Winnenden, Germany.

ONE-KEY™

Aby dowiedzieć się więcej na temat funkcji ONE-KEY urządzenia, przeczytaj załączoną instrukcję szybkiego startu lub odwiedź nas w Internecie na stronie <http://www.milwaukeeetool.com/one-key>.

Możesz pobrać aplikację ONE-KEY z sklepu App Store lub Google Play na swojego smartfona.

Podczas wyładowania elektrostacyjnego komunikacja Bluetooth zostanie odłączona, a interfejs aplikacji — zamknięty. Nie będzie można korzystać z aplikacji przez najbliższe 45 sekund. W celu przywrócenia pracy po 45 s należy zresetować aplikację.” Uznałismy, że wynik mieści się w ramach minimalnego dopuszczalnego poziomu wydajności zgodnie z EN 301489-1 / EN 301489-17. Przekażemy też klientowi wytyczne operacyjne w instrukcji obsługi.

BATERIE AKUMULATOROWE

W temperaturze powyżej 50°C następuje spadek osiągniętych wkładki akumulatorowej. Unikać długotrwałego wystawienia na oddziaływanie ciepła lub promieni słonecznych (niebezpieczeństwo przegrzania).

Styki ładowarek i wkładek akumulatorowych należy utrzymywać w czystości

Dla zapewnienia optymalnej żywotności akumulatory po użyciu należy naładować do pełnej pojemności. Akumulatory, które nie były przez dłuższy czas użytkowane, należy przed użyciem naładować.

Dla zapewnienia możliwie długiej żywotności akumulatory należy wyjąć z ładowarki po ich naładowaniu.

W przypadku składowania akumulatorów dłużej aniżeli 30 dni, Przechowywać je w suchym miejscu w temperaturze ok. 27°C., Przechowywać je w stanie naładowanym do ok. 30% - 50%, Ładować je ponownie co 6 miesięcy.

Zużytych akumulatorów nie wolno wrzucać do ognia ani traktować jako odpadów domowych. Milwaukee oferuje ekologiczną utylizację zużytych akumulatorów.

Nie przechowywać akumulatorów wraz z przedmiotami metalowymi (niebezpieczeństwo zwarcia).

TRANSPORT AKUMULATORÓW LITOWO-JONOWYCH

Akumulatory litowo-jonowe podlegają ustawowym przepisom dotyczącym transportu towarów niebezpiecznych.

Transport tych akumulatorów winien odbywać się przy przestrzeganiu lokalnych, krajowych i międzynarodowych rozporządzeń i przepisów.

Odbiorcom nie wolno transportować tych akumulatorów po drogach o tak po prostu.

Komercyjny transport akumulatorów litowo-jonowych przez przedsiębiorstwa spedycyjne podlega przepisom dotyczącym transportu towarów niebezpiecznych. Przygotowania do wysyłki oraz transport mogą być wykonywane wyłącznie przez odpowiednie przeszkolone osoby. Cały proces winien odbywać się pod fachowym nadzorem.

W czasie transportu akumulatorów należy przestrzegać następujących punktów:

Celem uniknięcia zwarcia należy upewnić się, że zestyki są zabezpieczone i zaizolowane. Zwracać uwagę na to, aby zespół akumulatorów nie mógł się przemieszczać we wnętrzu opakowania. Nie wolno transportować akumulatorów uszkodzonych lub z wyciekającym z elektrolitem. Odnośnie dalszych wskazówek należy zwrócić się do swojego przedsiębiorstwa spedycyjnego.

DEKLARACJA ZGODNOŚCI CE

Oświadczamy na naszą wyłączną odpowiedzialność, że produkt opisany pod „Dane techniczne” spełnia wszystkie istotne przepisy dyrektyw

2011/65/UE RoHS, 2006/42/WE, 2014/53/UE

i zastosowano następujące zharmonizowane normy

EN 62841-1:2015

EN 62479:2010

EN 55014-1:2017+A11:2020

EN 55014-2:2015

EN 301 489-1 V2.2.3

EN 301 489-17 V3.1.1

EN 300 328 V2.2.2

EN IEC 63000:2018



Winnenden, 2021-04-07

Alexander Krug / Managing Director
Upelnomocniony do zestawienia danych technicznych
Techtronic Industries GmbH
Max-Eyth-Straße 10, 71364 Winnenden, Germany

SYMBOLE



Przed uruchomieniem elektronarzędzia zapoznać się uważnie z treścią instrukcji.



OSTRZEŻENIE!
Niebezpieczeństwo zranienia odpryskującymi odłamkami



Podczas pracy należy zawsze nosić okulary ochronne.



Urządzenie posiada guzikową baterię litową.



Ryzyko porażenia prądem elektrycznym



UWAGA! OSTRZEŻENIE NIEBEZPIECZEŃSTWO!



Przed przystąpieniem do jakichkolwiek prac na elektronarzędziu należy wyjąć wkładkę akumulatorową.



Trzymać ręce z dala od narzędzia tnącego i innych ruchomych części. Palce mogą dostać się do mechanizmu tnącego i zostać odcięte lub skaleczone.



Wypożyczenie dodatkowe dostępne osobno.



Urządzenia elektryczne, baterie/akumulatory nie mogą być usuwane razem z odpadami pochodzącymi z gospodarstw domowych. Urządzenia elektryczne i akumulatory należy gromadzić oddzielnie i w celu usuwania ich do odpadów zgodnie z wymaganiami środowiska naturalnego oddawać do przedsiębiorstwa utylizacyjnego. Proszę zasięgnąć informacji o centrach recyklingowych i punktach zbiorczych u władz lokalnych lub u wyspecjalizowanego dostawcy.



Napięcie



Prąd stały



Europejski Certyfikat Zgodności



Brytyjski Certyfikat Zgodności



Ukraiński Certyfikat Zgodności



Euroazjatycki Certyfikat Zgodności

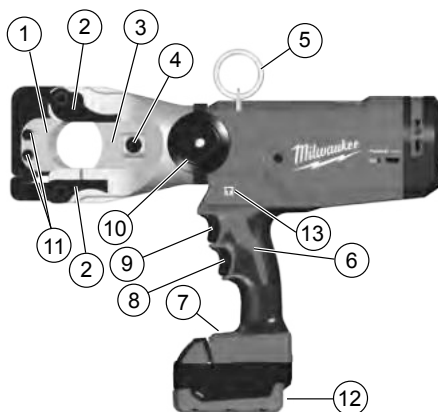


Pol

MŰSZAKI ADATOK	M18 HCC45
Kábelvágó	
Gyártási szám	4772 37 01... ... 000001-999999
Frekvenciasáv	2402-2480 MHz
Jelerősség	1,8 dBm
Akkumulátor feszültség	18 V
Névleges energia	77,8 kN
Vágási terület Kábeltypustól függ	max. Ø 44 mm
ACSR: alumínium-/Acélkötelek réz / alumínium	
Súly a 01/2014 EPTA-eljárás szerint (Li-Ion 2,0 Ah...9,0Ah)	6 kg...6,6 kg
Üzemeléshez ajánlott környezeti hőmérséklet	-18°C ... +50°C
Ajánlott akkusomagok	M18B...
Ajánlott töltőkészülékek	M12-18...
Zajinformáció	
A közölt értékek megfelelnek az EN 62841 szabványnak. A készülék munkahelyi zajszintje tipikusán:	
Hangnyomás szint (K bizonytalanság=3dB(A))	76,9 dB(A)
Hangteljesítmény szint (K bizonytalanság=3dB(A))	87,9 dB(A)
Hallásvédő eszköz használata ajánlott!	
Vibráció-információk	
Összesített rezgésértékek (három irány vektoriális összeg az EN 62841-nek megfelelően meghatározva).	
rezgésemisszió értéke _h	1,2 m/s ²
K bizonytalanság	1,5 m/s ²



Mag



Eszközeírás

- | | |
|-------------------------------------|------------------------------|
| ① Elülső penge | ⑧ Indítógomb kioldása |
| ② Pofakioldó karok | ⑨ Indítógomb |
| ③ Hátsó penge | ⑩ Kiegészítő fogantyú |
| ④ Pengerögztítő túske | ⑪ 5 mm hatlapú imbuszcavarok |
| ⑤ Függesztő | ⑫ Akkumulátor |
| ⑥ Fogantyú
Szigetelt fogófelület | ⑬ ONE KEY jelzőlámpa |
| ⑦ LED | |

▲ FIGYELMEZTETÉS Olvasson el minden, a géppel együtt megkapott biztonsági utalást, utasítást, ábrázolást és adatot. A következőkben leírt előírások betartásának elmulasztása áramütésekhez, tűzhöz és/vagy súlyos testi sérülésekhez vezethet. **Kérjük a későbbi használatra gondosan őrizze meg ezeket az előírásokat.**

▲ BIZTONSÁGI TUDNIVALÓK KÁBELVÁGÓKHOZ

Robbanás, villamos áramütés, valamint vagyoni és berendezéskár kockázatának csökkentése érdekében soha ne vágjon élő (áram alatt levő) villamos kábeleket. A szerszám NEM szigetelt.

Tartsa távol a vágószerszámoktól és a többi mozgó résztől kezeit és lábát felfekvő ruházatát. Súlyos sérülés, így végtagok leszakításának veszélye áll fenn.

Javasoljuk a védőruházat, úgymint porvédő maszk, védőcipő, erős és csúszásbiztos lábbeli, sisak és hallásvédő használatát.

Használjon védőfelszerelést! Mindig viseljen védőszemüveget a kábelvágóval történő munkavégzés során.

Akadályozza meg a kábelvágó véletlen beindítását. A cserélhető akkumulátor csatlakoztatása előtt gondoskodjon arról, hogy az indítógomb a kapcsoló reteszével ki legyen biztosítva.

A kábelvágót soha ne fogja meg a vágópofáknál.

Használat előtt mindig ellenőrizze, hogy nincsenek-e repedések és egyéb elhasználódási nyomok a vágópofákon.

A kábelvágót, a cserélhető akkumulátort és a töltőt csak akkor használja, ha azok tökéletes műszaki állapotban vannak.

A sérüléseket azonnal javíttassa meg arra jogosult szakműhelyben. Karbantartás, javítás, tisztítás, stb. előtt az akkumulátort ki kell venni a készülékből.

A kábelvágót csak behelyezett vágószerszámmal szabad használni.

FIGYELMEZTETÉS!

A jelen utasításokban megadott rezgésint-értéke az EN 62841-ben szabályozott mérési eljárásnak megfelelően került leérésre, és használható elektromos szerszámokkal történő összehasonlításhoz. Az érték alkalmas a rezgésterhelés előzetes megbecslésére is.

A megadott rezgésint-érték az elektromos szerszám legfőbb alkalmazásait reprezentálja. Ha az elektromos szerszámot azonban más alkalmazásokhoz, eltérő használt szerszámokkal vagy nem elegendő karbantartással használják, a rezgésint-értéke eltérő lehet. Ez jelentősen megnövelheti a rezgésterhelést a munkavégzés teljes időtartama alatt.

A rezgésterhelés pontos megbecsléséhez azokat az időket is figyelembe kell venni, melyekben a készülék lekapcsolódik, vagy ugyan működik, azonban ténylegesen nincs használatban. Ez jelentősen csökkentheti a rezgésterhelést a munkavégzés teljes időtartama alatt.

Határozzon meg további biztonsági intézkedéseket a kezelő védelmére a rezgések hatása ellen, például: az elektromos és a használt szerszámok karbantartásával, a kezek melegen tartásával, a munkafolyamatok megszervezésével.

A vágás elvégzése előtt távolítsa el minden beállítószerszámot és csavarkulcsot.

A sérülés és károsodás elkerülése érdekében a szerszámot, a cserélhető akkumulátort és a töltőt soha ne merítse folyadékba, és ne engedje folyadék behatolását ezekbe.

A kábelvágót csak a két fogantyúnál fogva tartsa.

Az M18 elnevezésű rendszerhez tartozó akkumulátorokat kizárólag a rendszerhez tartozó töltővel tölts fel. Ne használjon más rendszerbe tartozó töltőt.

Az akkumulátort, töltőt nem szabad megbontani és kizárólag száraz helyen szabad tárolni. Nedvességtől óvni kell.

A rövidzárlat általi tűz, sérülések vagy termékkárosodások veszélye elkerülése ne merítse a szerszámot, a cserélhető akkut vagy a töltőkészüléket folyadékba, és gondoskodjon arról, hogy ne hatoljanak folyadékok a készülékekbe és az akkuba. A korrózió hatású vagy vezetéképes folyadékok, mint pl. a sós víz, bizonyos vegyi anyagok, fehérítők vagy fehérítő tartalmú termékek, rövidzárlatot okozhatnak.

FIGYELMEZTÉS



Az eszköz lítium gomelemeket tartalmaz. Az új vagy használt elem akár 2 órán belül súlyos belső égési sérülést okozhat és halálhoz vezethet, ha lenyelik vagy ha a testbe kerül. Mindig rögzítse az elemtartó fedelét. Ha a fedél nem zár stabilan, akkor állítsa le az eszközt, vegye ki az elemet és tartsa gyermekek által nem hozzáférhető helyen. Azonnal hívjon orvost, ha úgy véli, hogy valaki lenyelte az elemet vagy más módon a testébe került.

FENNMARADÓ VESZÉLY

A vágási folyamat megkezdése előtt a helyi előírásoknak megfelelően le kell zárni a területet.

Mindig csak olyan kábeleket vágjon, amelyek le vannak választva az áramellátásról!

A kábeleket és a köteleket nem szabad kitenni mechanikai erők hatásának.

Ennek az utasításnak a figyelmen kívül hagyása súlyos sérüléshez, halálhoz, tűzhöz és egyéb vagyoni kárhoz vezethet villamos áramütés, robbanás és/vagy villamos ívek miatt.

Viseljen védőszemüveget.

RENDELTELTÉSSZERŰ HASZNÁLAT

A kábelvágó szigetelt rézből vagy alumíniumból készült feszültségmentes kábelek, ill. ACSR-kötelek (acéllal megerősített alumíniumkötelek) és acélkötelek szétválasztására alkalmas, a kábel típusától függően.

A kábelek és a kötelek vágását, ill. szétválasztását a kábelvágó segítségével csak az elektrotechnika terén megfelelő képzésben részesült személyek végezhetik.

Ennek a kábelvágónak a kezelőjét – a vágóval történő első munkavégzést megelőzően, majd ezt követően legalább évente – ki kell oktattani a kábelvágóval való munkavégzéssel járó speciális veszélyekről és az alapvető biztonsági intézkedésekről.

Az üzemeltetését végző vállalat köteles:

- az üzemeltetési kézikönyvet a kezelő rendelkezésére bocsátani, és
- gondoskodni arról, hogy a kezelő elolvassa a kézikönyvet, és megértse annak tartalmát.



FIGYELMEZTÉS Olvasson el minden, a géppel együtt megkapott biztonsági utalást, utasítást, ábrázolást és adatot. A következőkben leírt előírások betartásának elmulasztása áramütésekhez, tűzhöz és/vagy súlyos testi sérülésekhez vezethet. **Kérjük a későbbi használatra gondosan őrizze meg ezeket az előírásokat.**

A munkaterület előkészítése

A munka megkezdése előtt biztosítani kell a vezetékek és a kötelek feszültségmentes állapotát, és ezt az állapotot a munkavégzés teljes időtartamára fenn kell tartani.

Nem kezdhető meg a munka abban az esetben, ha kétséget kizáróan nem garantálható, hogy a kábel vagy a szigetelt vezeték le van választva.

Feltétlenül tartsa be a helyi biztonsági előírásokat és szabályozásokat.

A kábeleket és a köteleket nem szabad kitenni mechanikai erők hatásának, és adott esetben biztosítani kell őket a vágás utáni akaratlan mozgásokkal szemben.

A berendezést tilos nedves, vagy vizes környezetben használni és kitenni eső hatásának.

A kábelvágó és az akkumulátor előkészítése

Minden használat előtt:

Mindig ellenőrizze, hogy a kábelvágót, hogy nincsenek-e rajta külső hiányosságok

- Ellenőrizze, hogy nincsenek-e repedések és egyéb elhasználódási nyomok a vágószerszámon

Csak tökéletes állapotban használja!

A vágási folyamat megkezdése előtt az akkumulátor kapacitását ellenőrizni kell: az előírt érték legalább 33% (lásd az illusztrált leírást).

A munka megkezdése előtt szükség lehet töltésre.

A vágási folyamat előkészítése

Az akaratlan mozgás kockázatának minimálisra csökkentése érdekében támassza meg és rögzítse a vágni kívánt kábelt vagy kötelet.

Különösen a légvezetékek és a szabaddá vált kötelek fejhetnek ki akaratlan mozgást és okozhatnak sérülést vagy károsodást.

A vágófójet 90°-os szögben kell a kábelhez vagy a kötélhez illeszteni azzal a céllal, hogy a kábel vagy a kötél feszültségmentesen a nyitott vágópófkak közé fektüdjön, és el lehessen kerülni a kedvezőtlen nyíróerőket.



FIGYELMEZTÉS: Robbanás, villamos áramütés, valamint vagyoni és berendezéskár kockázatának csökkentése érdekében soha ne vágjon élő (áram alatt levő) villamos kábeleket.

A szerszám NEM szigetelt. Az áram alatt levő kábellel való érintkezés súlyos sérülést vagy halált okozhat. Vágás előtt kapcsolja ki a tápfeszültséget. Soha ne vágjon gáz- vagy vízvezetéket. Tartsa távol a kezét a vágóélektől és a mozgó alkatrészekről. Végtagok leszakadása vagy levágása következhet be.

Töltés vagy tartozékok kiemelése előtt mindig vegye ki az akkumulátort. Csak kifejezetten ehhez a szerszámmal ajánlott tartozékokat használjon. Minden egyéb veszélyes lehet.

A sérülési kockázat csökkentése érdekében viseljen munkavédelmi szemüveget vagy oldalsó védőlemezzel rendelkező szemüveget.



▲ FIGYELMEZTETÉS: A sérülésveszély elkerülésének érdekében csak a pengékhez ajánlott anyagokat vágjon. (lásd a „Műszaki adatok” c. fejezetet) Más anyagokat ne próbáljon vágni.

Vágás

- Vágás előtt gondoskodjon arról, hogy a pengék megfelelően legyenek behelyezve.
 - 1. Vesse a kábelt derékszögben a kábelvágó vágóéleire. Ferde vágást ne kíséreljen meg, mert az károsítja a munkadarabot és a pengéket.
 - 2. Stabílan markolja a fogantyúkat. Húzza meg az indítógombot, és üzem közben tartsa lenyomva. Az indítógomb meghúzott állapotában minden LED világít. A vágás vagy a gép kikapcsolása után engedje el újra a kioldót, és hozza működésbe a visszaállító kapcsolót, hogy a vágópófék kinyíljanak.
- Megjegyzés: A vágás során kissé elmozdulhat a munkadarab.

Teendők üzemzavar esetén

- a megvágott kábel feszültség alatt állhat – mindig tájékoztassa a biztonsági felelőst, szakítsa meg a vágási folyamatot, hozza meg a megfelelő biztonsági intézkedéseket
- Mindig gondoskodjon arról, hogy az eszköz le legyen választva az erősáramú hálózatról, mielőtt az eszközt megközelíti és megérinti
- nyomja meg és tartsa lenyomva a gombot, amíg a vágó teljesen ki nem nyílik
- ellenőrizze az akkumulátorkapacitást
- ellenőrizze az anyagot és az anyagvastagságot a műszaki adatok alapján
- Ha felmerül a gyanú, hogy áram alatt levő kábelt vágta át, akkor a kábelvágót hivatalos szakműhelyben át kell vizsgáltatni

Besorult pengék

- Egy-egy vágás után a szennyeződés és a törmelék a pengék beszorulását okozhatja
- Nyomja le és tartsa lenyomva a kioldógombot, hogy a szerszám alaphelyzetbe álljon.
 - Vegye ki az akkumulátort.
 - A vágópófék kinyitáshoz kövesse a képleírást
 - Az újabb vágás indítása előtt távolítsa el a szennyeződéseket és a törmelékét a pengék közül.

Vágási tippek

- Ferde vágást ne kíséreljen meg, mert az károsítja a munkadarabot és a pengéket.
- A penge élettartamának növelése érdekében tiszta anyagot vágjon. A vágás megkezdése előtt törölje le a szennyeződést és a törmelékét az anyagról és a pengékről.

KARBANTARTÁS

Karbantartás, javítás, tisztítás, stb. előtt az akkumulátort ki kell venni a készülékből.

Soha ne nyissa fel a kábelvágót, a cserélhető akkumulátort vagy a töltőt.

Vizsgálja meg a kábelvágót bármilyen olyan probléma – zaj, mozgó alkatrészek beszorulása – tekintetében, amely befolyással lehet a szerszámra.

Ellenőrizze, hogy nincsenek-e repedések és egyéb elhasználódási nyomok a vágószerszámokon.

A munka befejeztével tisztítsa meg és zsírozza be a vágószerszámokat.

Ellenőrizze, hogy a vágóélek élesek-e, és cserélje ki az elhasznált-dott vágópófákat.

Cserélje ki a pengéket, ha töredezettek vagy sérültek. A pengéket mindig garintűrában cserélje. Csak MILWAUKEE pengéket használjon.

Ellenőrizze, hogy a vágószerszám akadálytalanul mozog-e.

A sérülés és károsodás elkerülése érdekében a szerszámot, a cserélhető akkumulátort és a töltőt soha ne merítse folyadékba, és ne engedje folyadék behatolását ezekbe.

A készülék szellőzőnyílásait mindig tisztán kell tartani.

A készülék hidraulikaolajat tartalmaz, amely veszélyt jelent a talajvízre. Az olaj ellenőrzetlen leeresztése vagy szakszerűtlen ártalmatlanítása büntetendő.

Az eszközt – a használatától függően – hattól tizenkét hónapig terjedő időszakonként szervizelni kell.

A szervizidőszakokról bővebben a ONE-KEY appon keresztül tájékozódhat.

Karbantartási és javítási munkálatokat csak arra jogosult szakműhely végezhet.

Csak Milwaukee tartozékokat és Milwaukee pótkatrészeket szabad használni. Az olyan elemeket, melyek cseréje nincs ismertetve, cseréltesse ki Milwaukee szervizzel (lásd Garancia/Ügyfélszolgálat címei kiadványt).

Szükség esetén a készülékek robbantott ábráját - a készülék típusa és azonosító száma alapján a területileg illetékes Milwaukee márkaszerviztől vagy közvetlenül a gyártótól (Techtronic Industries GmbH, Max-Eyth-Straße 10, 71364 Winnenden, Germany) lehet kérni.

ONE-KEY™

A szerszám ONE-KEY funkciójához további információ a mellékelt gyorsindítási útmutatóban vagy az interneten található: <http://www.milwaukeeetool.com/one-key>.

A ONE-KEY alkalmazás az App Store-ból vagy a Google Play-ből tölthető le.

Elektrosztatikus kisülés esetén a Bluetooth-adatátvitel lekapcsolódik, és az alkalmazás interfésze kilép. Az alkalmazás 45 másodpercig nem használható. 45 másodperc elteltével újra kell indítani az alkalmazást az ismételt működéshez. Az eredményt az EN 301489-1/ EN 301489-17 szabvány által meghatározott minimálisan elfogadható teljesítési szinten belülinek tekintettük. Az üzemeltetési útmutatót a felhasználói kézikönyvben biztosítjuk a vevő számára.



AKKUK

50°C feletti hőmérsékletnél csökkenhet az akkumulátor teljesítménye. Kerülni kell a túlzottan meleg helyen vagy napon történő hosszabb idejű tárolást.

A töltő és az akkumulátor csatlakozóit mindig tisztán kell tartani.

Az optimális élettartam érdekében használat után az akkukat teljesen fel kell tölteni. A hosszabb ideig üzemben kívül lévő akkumulátort használat előtt ismételen fel kell tölteni.

A lehetőleg hosszú élettartamhoz az akkukat feltöltés után ki kell venni a töltőkészülekből.

Az akku 30 napot meghaladó tárolása esetén.: Az akkut kb. 27 °C-on, száraz helyen kell tárolni., Az akkut kb. 30-50%-os töltöttségi állapotban kell tárolni., Az akkut 6 havonta újra fel kell tölteni.

A használt akkumulátort ne dobja tűzbe vagy a háztartási szemétkébe. Tájékoztadjon a szakszerű megsemmisítés helyi lehetőségeiről.

Az akkumulátort ne tárolja együtt fém tárgyakkal. (Rövidzárlat veszélye).

LÍTIUM-ION AKKUK SZÁLLÍTÁSA

A lítium-ion akkuk a veszélyes áruk szállítására vonatkozó törvényi rendelkezések hatálya alá tartoznak.

Az ilyen akkuk szállításának a helyi, országos és nemzetközi előírások és rendelkezések betartása mellett kell történnie.

A fogyasztók minden további nélkül szállíthatják az ilyen akkukat közúton.

A lítium-ion akkuk szállítmányozási vállalatok általi kereskedelmi célú szállítására a veszélyes áruk szállítására vonatkozó rendelkezések érvényesek. A kiszállítás előkészítését és a szállítást kizárólag megfelelő képzettségű személyek végezhetik. A teljes folyamatnak szakmai felügyelet alatt kell történnie.

A következő pontokat kell figyelembe venni akkuk szállításakor:

Biztosítsa, hogy a rövidzárlatok elkerülése érdekében az érintkezők védve és szigetelve legyenek. Ügyeljen arra, hogy az akkusomag ne tudjon elcsúszni a csomagoláson belül. Tilos sérült vagy kifolyt akkukat szállítani. További útmutatásokért forduljon szállítmányozási vállalatához.

CE-AZONOSÁGI NYILATKOZAT

Kizárólagos felelősségünk alapján kijelentjük, hogy a „Műszaki adatok” fejezetben leírt termék megfelel a irányelvek összes vonatkozó rendelkezésének

2011/65/EU RoHS, 2006/42/EK, 2014/53/ EU harmonizált szabvány és a

EN 62841-1:2015

EN 62479:2010

EN 55014-1:2017+A11:2020

EN 55014-2:2015

EN 301 489-1 V2.2.3

EN 301 489-17 V3.1.1

EN 300 328 V2.2.2

EN IEC 63000:2018



Winnenden, 2021-04-07

Alexander Krug / Managing Director
Műszaki dokumentáció összeállításra felhatalmazva
Techtronic Industries GmbH
Max-Eyth-Straße 10, 71364 Winnenden, Germany

SZIMBÓLUMOK



Kérjük alaposan olvassa el a tájékoztatót mielőtt a gépet használja.



FIGYELMEZTETÉS!
Elhajított tárgyak!



Munkavégzés közben ajánlatos védőszemüveget viselni.



Az eszköz lítium gomelemeket tartalmaz.



Áramütés veszélye áll fenn



FIGYELEM! FIGYELMEZTETÉS! VESZÉLY!



Karbantartás, javítás, tisztítás, stb. előtt az akkumulátort ki kell venni a készülékből.



Tartsa távol a vágóeszközöktől és a többi mozgó résztől kezeit. Ujjai bejuthatnak a vágórendszerbe és levágások vagy sérülések veszélye áll fenn.



Azokat a tartozékokat, amelyek gyárilag nincsenek a készülékhez mellékelve, külön lehet megrendelni.



Az elektromos eszközöket, elemeket/akkukat nem szabad a háztartási hulladékkal együtt ártalmatlanítani. Az elektromos eszközöket és akkukat szelektíven kell gyűjteni, és azokat környezetbarát ártalmatlanítás céljából hulladékhasznosító üzemben kell leadni. A helyi hatóságoknál vagy szakkereskedőjénél tájékoztadjon a hulladékudvarokról és gyűjtőhelyekről.

V Volt



Egyenáram



Európai megfelelőségi jelölés



Egyesült királyságbeli megfelelőségi jelölés



Ukrán megfelelőségi jelölés



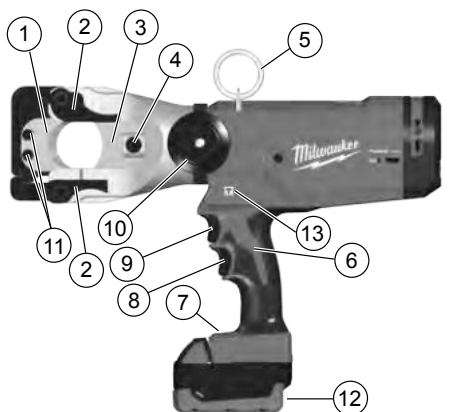
Eurázsiai megfelelőségi jelölés



Mag

Magyar

TEHNIČNI PODATKI	M18 HCC45
Rezalnik kablov	
Proizvodna številka	4772 37 01... ... 000001-999999
Frekvenčni pas	2402-2480 MHz
Radijsko frekvenco	1,8 dBm
Napetost izmenljivega akumulatorja	18 V
Lisovacijska sila	77,8 kN
Območje rezanja Ovisno od vrste kabla	maks. Ø 44 mm
ACSR: Aluminij-/Ocelovše laná Baker / Aluminij	
Teža po EPTA-proceduri 01/2014 (Li-Ion 2,0 Ah...9,0Ah)	6 kg...6,6 kg
Priporočena temperatura okolice za obratovanje	-18°C ... +50°C
Priporočeni kompleti akumulatorjev	M18B...
Priporočeni polnilniki	M12-18...
Informacije o hrupnosti	
Vrednosti merjenja ugotovljene ustrezno z EN 62841. Raven hrupnosti naprave ovrednotena z A, znaša tipično:	
Nivo zvočnega tlaka (Nevarnost K=3dB(A))	76,9 dB(A)
Višina zvočnega tlaka (Nevarnost K=3dB(A))	87,9 dB(A)
Nosite zaščito za sluh!	
Informacije o vibracijah	
Skupna vibracijska vrednost (Vektorska vsota treh smerdoločena ustrezno EN 62841.	
Vibracijska vrednost emisija _h	1,2 m/s ²
Nevarnost K=	1,5 m/s ²



Opis naprave

- | | |
|--|---------------------------------------|
| ① Predna rokvah | ⑦ Lučka LED |
| ② Páky na uvoľnenie čeľuste | ⑧ Povratno stikalo |
| ③ Zadná rokvah | ⑨ Sprožilo |
| ④ Zadrživač kolík čepele | ⑩ Dodatni ročaj |
| ⑤ Háčik | ⑪ 5 mm skrutky s vnútorným šesthranom |
| ⑥ Ročaj orodja izolirana prijemalna površina | ⑫ Baterije |
| | ⑬ Indikator ONE KEY |

OPOZORILO!

V teh navodilih navedena raven treslajev je bila izmerjena po EN 62841 normiranem merilnem postopku in lahko služi medsebojni primerjavi električnih orodij. Prav tako je primeren za predhodno oceno obremenitve s treslaji.

Navedena raven treslajev navaja najpomembnejše vrste rabe električnega orodja. Kadar se električno orodje uporablja za drugačne namene, z odstopajočimi orodji ali pa z nezadostnim vzdrževanjem, lahko raven treslajev tudi odstopa. Le to lahko čez celoten delovni čas znatno zviša obremenitev s tresenjem.

Za natančno oceno obremenitve s treslaji naj bi se upošteval tudi čas v katerem je naprava izklopljena ali sicer teče, vendar dejansko ni v rabi. Le to lahko obremenitev s treslaji čez celoten delovni čas znatno zmanjša.

Za zaščito upravljalca pred učinkom treslajev uvedite dodatne zaščitne ukrepe npr.: Vzdrževanje električnega orodja in orodja, delo s toplimi rokami, organizacija delovnih potekov.

⚠ OPOZORILO Preberite vse varnostne napotke, navodila, prikaze in podatke, ki ste jih prejeli skupaj z napravo. Napake zaradi neupoštevanja spodaj navedenih opozoril in napotil lahko povzročijo električni udar, požar in/ali težke telesne poškodbe.

Vsa opozorila in napotila shranite, ker jih boste v prihodnje še potrebovali.

⚠ VARNOSTNA NAVODILA ZA REZALNIK KABLOV

Za zmanjšanje tveganja eksplozij, električnega udara, materialne škode in poškodb na napravi, nikoli ne režite električnih napeljav, ki so pod električno napetostjo. Orodje NI izolirano.

Z rokami in ohlapnimi oblačili se ne približujte rezalnemu orodju in drugim premikajočim se delom. Obstaja nevarnost hudih telesnih poškodb ali trganja udov.

Priporočajo se zaščitna oblačila, kot npr. maska za zaščito proti prahu, zaščitne rokavice, trdno in nedrseče obuvanje, čelada in zaščita za sluh.

Uporabite zaščitno opremo. Pri delu z nožem za kable vedno nosite zaščitna očala.

Preprečite neželeni vklop noža za kable. Pred priključitvijo na nadomestni akumulator se prepričajte, da je sprožilo zavarovano z blokado vklopa.

Noža za kable nikoli ne držite za rezilne čeļusti.

Pred vsako uporabo preverite nož za kable glede razpok in drugih vidnih sledi obrabe.

Nož za kable, nadomestni akumulator in polnilnik uporabljajte samo v tehnično brezhibnem stanju.

Poškodbe dajte takoj popraviti v avtoriziranemu strokovnemu obratu.

Pred vsemi deli na stroji odstranite izmenljivi akumulator.

Nož za kable je dovoljeno uporabljati samo z vstavljenim rezilnim orodjem.

Preden začnete rezati, odstranite uporabljena nastavivna orodja ali ključe.

Za preprečevanje telesnih poškodb ali škode orodja, nadomestnega akumulatorja ali polnilnika nikoli ne potaplajte v tekočino ali dovolite, da tekočina vstopi vanje.

Nož za kable držite za oba ročaja.

Izmenljive akumulatorje sistema M18 polnite samo s polnilnimi aparati sistema M18. Ne polnite nobenih akumulatorjev iz drugih sistemov.

Izmenljivih akumulatorjev in polnilnih aparatov ne odpirajte in jih hranite samo v suhih prostorih. Zaščitite jih pred mokroto.

V izogib, s kratkim stikom povzročene nevarnosti požara, poškodb ali okvar na proizvodu, orodja, izmenljivega akumulatorja ali polnilne naprave ne potaplajte v tekočine in poskrbite, da ne bo prihajalo do vdora tekočin v naprave in akumulatorje. Korozivne ali prevodne tekočine, kot so slana voda, določene kemikalije in belila ali proizvodi, ki le ta vsebujejo, lahko povzročijo kratek stik.

OPOZORILO



Ta naprava ima gumbasto/litijevo baterijo. Nova ali rabljena baterija lahko povzroči hude notranje opekline in povzroči smrt v samo 2 urah, če se pogoltno ali pride v telo na kakšen drug način. Vedno zavarujte pokrov na predelu za baterije. Če se predel ne zapira varno, zaustavite napravo, odstranite baterijo in jo hranite zunaj dosega otrok. Če menite, da je nekdo pogoltnil baterijo ali je prišla v telo na kakšen drug način, takoj poiščite zdravniško pomoč.

PREOSTALE NEVARNOSTI

Pred začetkom postopka rezanja mora biti v skladu z lokalnimi predpisi nameščena zapora za dostop.

Režite samo kable, ki niso pod napetostjo!

Káble a laná nesmú byť vystavené mechanickým silám.

Pri neupoštevanju obstaja nevarnost hudih telesnih poškodb, smrti, požara ali drugih materialnih škod zaradi električnega udara, eksplozije ali svetlobnega loka.

Nosite zaščitna očala.

UPORABA V SKLADU Z NAMEMBNOSTJO

Strihač káblów je vhodný na delenie káblów bez napätia z izolovanej medi alebo hliníka, ACSR lán (laná hliník/ocel'), ocelových lán, vždy v závislosti od typu kábla.

Rezanje, resp. delenie káblów a lán pomocou tohto strihača káblów smie vykonávať iba elektrotehnički vyškolená osoba.

Upravljalvec tega noža za kable se mora pred prvim opravilom in potem najmanj enkrat letno seznaniti s posebnimi nevarnostmi pri uporabi tega noža za kable in s potrebnimi varnostnimi ukrepi.

Lastnik mora:

- upravljavcu dati na voljo navodila za uporabo in
- se prepričati, da jih je upravljalvec prebral in razumel.



OPOZORILO Preberite vse varnostne napotke, navodila, prikaze in podatke, ki ste jih prejeli skupaj z napravo. Napake zaradi neupoštevanja spodaj navedenih opozoril in napotil lahko povzročijo električni udar, požar in/ali težke telesne poškodbe.

Vsa opozorila in napotila shranite, ker jih boste v prihodnje še potrebovali.

UPORABA

Priprava delovnega območja

Pred začetni práce musí byť vytvorený stav vodičov alebo lán bez napätia a musí í zostať zabezpečený po celú dobu trvania prác.

Če ni mogoče jasno zagotoviti, da sta kábel ali izolirana napeljava odklopljena, se dela ne smejo izvajati.

Je bezpodmnečne nutné dodržiavať miestne bezpečnostné predpisy a nariadenia.

Káble a laná nesmú byť vystavené mechanickým silám a popripade musia byť zabezpečené proti nekontrolovaným pohybom po vykonaní rezu.

Naprave ne izpostavljajte na dežju in je ne uporabljajte v vlažnem ali mokrem okolju.

Priprava noža za kable in akumulatorja

Pred vsako uporabo:

- Preglejte nože za kable glede zunanjih pomanjkljivosti.
- Preverite rezilna orodja glede razpok in drugih vidnih sledi obrabe.

Uporabljajte samo v brezhibnem stanju!

Pred začetkom postopka rezanja je treba preveriti zmogljivost akumulatorja: najmanj 33 % (glejte opis slike).

Morda ga je treba pred začetkom dela napolniti.

Priprava za postopek rezanja

Podprite a upevnite kábel alebo lano, ktoré chcete rezati, aby sa minimalizovalo riziko nekontrolovaného pohybu.

Najmä nadzemné vedenia a laná sa môžu nekontrolovane uviesť do pohybu a spôsobiť zranenia a / alebo poškodenia.

Rezná hlava musí byť priložená v uhle 90° ku káblu alebo lanu tak, aby sa bez napätí polohoval/o v otvorených závitových čelustiacih a aby sa zabránilo nepriaznivým strihovým silám.



OPOZORILO: Za zmanjšanje tveganja eksplozij, električnega udara, materialne škode in poškodb na napravi, nikoli ne režite električnih napeljav, ki so pod električno napetostjo.

Orodje NI izolirano. Stik s tokokrogom, ki je pod električno napetostjo, lahko povzroči hude telesne poškodbe in smrt. Vedno prekinite dovajanje električne energije, preden začnete rezati. Nikoli ne režite plinske ali vodne napeljave. Rok ne približujte rezilnim orodjem in drugim premičnim delom. Obstaja nevarnost hudih telesnih poškodb ali odtrganja udov.

Vedno odstranite nadomestni akumulator, preden dele pribora zamenjate ali odstranite. Uporabljajte izključno pribor, ki je posebej priporočen za to orodje. Uporaba drugega pribora je nevarna.

Za zmanjšanje telesnih poškodb vedno nosite zaščitna očala ali očala s stransko zaščito.



OPOZORILO: Za zmanjšanje tveganj telesnih poškodb režite samo materiale, ki so primerni za rezila. (glejte „Tehnični podatki“) Ne poskušajte rezati drugih materialov.

Rezanje káblów

- Pred rezanjem se prepričajte, da so rezila pravilno nameščena.

1. Kábel vedte v pravom uhle k ostriam strihača káblów. Ne delajte poševnih rezov, ker bi to lahko poškodovalo orodje in rezila.



Slo

2. Orodje med ročnim upravljanjem držite za oba ročaja. Pritisnite sprožilo in ga med opravlilom držite pritisnjena. Ko pritisnete sprožilo, se vklopi lučka LED. Če je rez hotovy alebo sa nástroj vypne, spúšťač znova uvoľnite a stlačte resetovacie tlačidlo, aby sa otvorili závitové čeluste. Napotek: Mogoče je, da se kabel med rezanjem nekoliko premika.

Ravnanje ob motnjah

- Kábel môže byť narezaný a byť pod napätím, vždy informujte bezpečnostného technika, prerušite proces rezania, urobte vhodné bezpečnostné opatrenia
- Pred približovaním in dotíkaním noža za kable se vedno prepričajte, da naprava ni in ne bo pod napetostjo
- Povratno stikalo držite pritisnjeno, dokler se rezila popolnoma ne odprejo.
- Preverite zmogljivost akumulatorja.
- Preverite material in debelino materiala na podlagi tehničnih podatkov
- Če sumite, da režete kabel, ki je pod napetostjo, je treba nož za kable preveriti v pooblaščenj servisni delavnici.



Zataknjene rezilne čeljusti

Umazanija in obloge lahko privedejo do tega, da se rezila po rezu zataknejo.

- Pritisnite povratno stikalo in ga držite pritisnjena, da zagotovite, da naprava ni pod tlakom.
- Odstranite nadomestni akumulator.
- Pre otvorenie závitových čeljustí postupujte podľa opisu na obrázku
- Z rezilnih čeljusti odstranite umazanijo in obloge, preden izvedete naslednji rez.

Nasveti za rezanje kablov

- Ne delajte poševnih rezov, ker bi to lahko poškodovalo orodje in rezila.
- Režite samo čiste kable, da podaljšate življenjsko dobo rezil. Pred rezanjem s kablov in rezil odstranite umazanijo in obloge.

VZDRŽEVANJE

Pred vsemi deli na stroji odstranite izmenljivi akumulator.

Nikoli ne odpirajte noža za kable, nadomestnega akumulatorja ali polnilnika.

Preverite nož za kable glede morebitnih težav, kot je zvok ali zataknevanje premičnih delov, ki bi lahko ovirali orodje.

Preverite rezilna orodja glede razpok in drugih vidnih sledi obrabe. Po končanih delih rezilna orodja očistite in namastite.

Pazite na ostre rezilne čeljusti oziroma obrabljene rezilne čeljusti nadomestite z novimi.

Zamenjajte rezila, ko postanejo lomljiva ali so vidno poškodovana. Rezila vedno zamenjajte v pari. Uporabljajte samo rezila MILWAUKEE.

Preverite, ali se rezilna orodja pomikajo z lahkoto.

Za preprečevanje telesnih poškodb ali škode orodja nadomestnega akumulatorja ali polnilnika nikoli ne potaplajte v tekočino in ne dovolite, da tekočina vstopi vanje.

Pazite na to, da so prezačevalne reže stroja vedno čiste.

Naprava vsebuje hidravlično olje, ki predstavlja nevarnost za podtalnico. Nenadzorovan izpust ali nestrokovno odstranjevanje je kaznivo.

Na napravi je treba vzdrževanje opraviti vsakih šest mesecev, do največ enkrat letno, odvisno od uporabe.

Več informacij o časovnih intervalih vzdrževanja najdete prek aplikacije ONE-KEY.

Vzdrževalna dela in popravila se lahko izvajajo zgolj s strani avtoriziranega strokovnega obrata.

Uporabljajte samo Milwaukee pribor in Milwaukee nadomestne dele. Poskrbite, da sestavne dele, katerih zamenjava ni opisana, zamenjate v Milwaukee servisni službi (upoštevajte brošuro Garancija aslovi servisnih služb).

Po potrebi se lahko pri vaši servisni službi ali direktno pri Techtronic Industries GmbH naroči eksplozijska risba naprave ob navedbi tipa stroja in številke s tipske ploščice Techtronic Industries GmbH, Max-Eyth-Straße 10, 71364 Winnenden, Germany.

ONE-KEY™

Več o delovanju ONE-KEY tega orodja najdete na priloženih navodilih za hiter začetek ali obiščite spletno mesto <http://www.milwaukeeool.com/one-key>

Aplikacijo ONE-KEY si lahko snamete na pametni telefon v trgovini App Store ali Google Play.

Če dōjde k elektrostatičnemu výboju, komunikácia Bluetooth bude odpojená a rozhranie aplikácie sa ukončí. Žiadne použtie aplikácie 45 sekúnd. Po 45 sekundách je pre obnovenie potrebne aplikáciu resetovať." Uvažovali sme výsledok, ktorý má byť v rámci našej minimálnej prijateľnej úrovne výkonnosti podľa EN 301489-1 / EN 301489-17. A zákazníkovi dáme prevádzkové pokyny v užívateľskej príručke.

AKUMULATORJI

Temperatura nad 50°C zmanjšuje zmogljivost izmenljivega akumulatorja. Izogibajte se daljšemu segrevanju zaradi sončnih žarkov ali gretja.

Pazite, da ostanje priključni kontakti na polnilnem aparatu in izmenljivem akumulatorju čisti.

za optimalno življenjsko dobo je potrebno akumulatorje po uporabi do konca napolniti. Izmenljive akumulatorje, ki jih daljši čas niste uporabljali, pred uporabo naknadno napolnite.

Za čim daljšo življenjsko dobo naj se akumulatorji po napolnitvi vzamejo ven iz naprave za polnjenje.

Pri skladištenju akumulatorjev dalj kot 30 dni, Akumulator skladiščiti pri 27°C in na suhem., Akumulator skladiščiti pri 30%-50% stanja polnjenja., Akumulator spet napolniti vsakih 6 mesecev.

Izrabljenih izmenljivih akumulatorjev ne mečite v ogenj ali v gospodinske odpadke. Milwaukee nudi okolju prijazno odlaganje starih izmenljivih akumulatorjev; prosimo povprašajte vašega strokovnega trgovca.

Izmenljivih akumulatorjev ne hranite skupaj s kovinskimi predmeti (nevarnost kratkega stika).

TRANSPORT LITIJ-IONSkih AKUMULATORJEV

Litij-ionski akumulatorji so podvrženi zakonskim določbam transporta nevarnih snovi.

Transport teh akumulatorjev se mora izvajati upoštevajoč lokalne, nacionalne in mednarodne predpise in določbe.

Potrošniki lahko te akumulatorje še nadalje transportirajo po cesti. Komerčni transport litij-ionskih akumulatorjev s strani špediterskih podjetij je podvržen določbam transporta nevarnih snovi. Priprava odpreme in transporta se lahko vrši izključno s strani ustrezno izšolanih oseb. Celoten proces je potrebno strokovno spremljati.

Pri transportu akumulatorjev je potrebno upoštevati sledeče točke:

V izogib kratkim stikom zagotovite, da bodo kontakti zaščiteni in izolirani. Bodite pozorni na to, da paket akumulatorja v notranjosti embalaže ne bo mogel zdrsniti. Poškodovanih ali iztekajočih akumulatorjev ni dovoljeno transportirati. Za nadaljnja navodila se obrnite na vaše speditersko podjetje.

CE-IZJAVA O KONFORMNOSTI

S polno odgovornostjo izjavljamo, da izdelek, opisan pod „Tehnični podatki“ izpolnjuje vse ustrezne določbe direktiv

2011/65/EU RoHS, 2006/42/ES, 2014/53/ EU

ter da so bili uporabljeni naslednji harmonizirani standardi

EN 62841-1:2015

EN 62479:2010

EN 55014-1:2017+A11:2020

EN 55014-2:2015

EN 301 489-1 V2.2.3

EN 301 489-17 V3.1.1

EN 300 328 V2.2.2

EN IEC 63000:2018



Winnenden, 2021-04-07

Alexander Krug / Managing Director
Pooblaščen za izdelavo spisov tehnične dokumentacije.

Techtronic Industries GmbH
Max-Eyth-Straße 10, 71364 Winnenden, Germany

SIMBOLI



Prosimo, da pred uporabo pozorno preberete to navodilo za uporabo.



OPOZORILO!
Zavarujte se pred odbitimi in letečimi predmeti



Pri delu s strojem vedno nosite zaščitna očala.



Ta naprava ima gumbasto/litijevo baterijo.



Nevarnost električnega udara



POZOR! OPOZORILO! NEVARNO!



Pred vsemi deli na stroji odstranite izmenljivi akumulator.



Z rokami ne segajte v bližino rezalnega orodja ali drugih premikajočih se delov. Prsti lahko zaidejo v rezalni mehanizem, ki jih lahko odreže ali poškoduje.



Oprema – ni vsebovana v obsegu dobave, priporočeno dopolnilo iz programa opreme.



Električnih naprav, baterij/akumulatorjev ni dovoljeno odstranjevati skupaj z gospodinjskimi odpadki. Električne naprave in akumulatorje je potrebno zbirati ločeno in za okolju prijazno odstranitev, oddati podjetju za reciklažo. Pri krajevnem uradu ali vašem strokovnem prodajalcu se pozanimajte glede reciklažnih dvorišč in zbirnih mest.

V Napetost

— — — Enosmerni tok



Evropska oznaka za združljivost



Britanska oznaka za združljivost



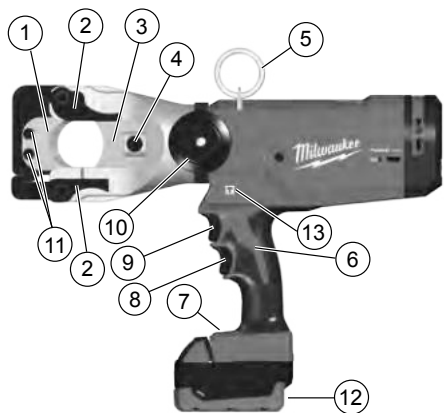
Ukrajinska oznaka za združljivost



Evrazijska oznaka za združljivost



TEHNIČKI PODACI	M18 HCC45
Rezač kabela	
Broj proizvodnje	4772 37 01... ... 000001-999999
Frekvencijski pojas	2402-2480 MHz
Radiofrekvencijska snaga	1,8 dBm
Napon baterije za zamjenu	18 V
sila stiskanja	77,8 kN
Područje rezanja Ovisi o vrsti kabela	max. Ø 44 mm
ACSR: Aluminij-/Čelična užad Bakar / Aluminij	
Težina po EPTA-proceduri 01/2014 (Li-Ion 2,0 Ah...9,0Ah)	6 kg...6,6 kg
Preporučena temperatura okoline za pogon	-18°C... +50°C
Preporučeni akumulatorski paket	M18B...
Preporučeni punjači	M12-18...
Informacije o buci	
Mjerne vrijednosti utvrđene odgovarajuće EN 62841. A-ocijenjeni nivo buke aparata iznosi tipično:	
Nivo pritiska zvuka (Nesigurnost K=3dB(A))	76,9 dB(A)
Nivo učinka zvuka (Nesigurnost K=3dB(A))	87,9 dB(A)
Nositi zaštitu sluha!	
Informacije o vibracijama	
Ukupne vrijednosti vibracije (Vektor suma tri smjersu odmerjene odgovarajuće EN 62841)	
Vrijednost emisije vibracije _h	1,2 m/s ²
Nesigurnost K=	1,5 m/s ²



Opis proizvoda

- | | |
|---|--------------------------------------|
| ① Prednja oštrica | ⑦ LED |
| ② Prekidači za oslobađanje čeljusti | ⑧ Okidač za resetiranje |
| ③ Stražnja oštrica | ⑨ Okidač |
| ④ Držač oštrice | ⑩ Dodatna drška |
| ⑤ Nosač | ⑪ 5 mm Vijci sa šesterokutnom glavom |
| ⑥ Držak uređaja izolirana površina za držanje | ⑫ Akumulator |
| | ⑬ Indikator s JEDNOM TIPKOM |

UPOZORENIE!

Ova u ovim uputama navedena razina titranja je bila izmjerena odgovarajuće jednom u EN 62841 normiranom mjernom postupku i može se upotrijebiti za usporedbu električnog alata međusobno. Ona je prikladna i za privremenu procjenu titrajnog opterećenja.

Navedena razina titranja reprezentira glavne primjene električnog alata. Ukoliko se električni alat upotrebljava u druge svrhe sa odstupajućim primijenjenim alatima ili nedovoljnim održavanjem, onda razina titranja može odstupati. To može titrajno opterećenje kroz cijeli period rada bitno povišiti.

Za točnu procjenu titrajnog opterećenja se moraju uzeti u obzir i vremena u kojima je uređaj isključen ili u kojima doduše radi, ali nije i stvarno u upotrebi. To može titrajno opterećenje bitno smanjiti za vrijeme cijelog radnog perioda.

Utvrđite dodatne sigurnosne mjere za zaštitu poslužioaca protiv djelovanja titranja kao npr.: Održavanje električnih alata i upotrebljenih alata, održavanje topline ruku, organizacija i radne postupke.

UPOZORENIE Pročitajte sve sigurnosne upute, napomene, prikaze i podatke koje dobijete uz uređaj. Ako se ne bi poštivala napomene o sigurnosti i upute to bi moglo uzrokovati strujni udar, požar i/ili teške ozljede.

Sačuvajte sve napomene o sigurnosti i upute za buduću primjenu.

SIGURNOSNE UPUTE ZA REZAČE KABELA

Kako biste smanjili rizik od eksplozije, strujnog udara ili oštećenje imovine i opreme, nikada ne sijecite kabele pod električnim naponom. Alat NIJE izoliran.

Ruke i odjeću neprijepnu uz tijelo držati dalje od alati za rezanje i drugih pokretnih dijelova. Postoji opasnost od teških ozljeda uključujući otkidanje ekstremiteta.

Preporučuje se zaštitna odjeća, kao zaštitna maska protiv prašine, zaštitne rukavice, čvrste i protiv klizanja sigurne cipele, šljem i zaštitu sluha.

Upotrebljavati zaštitnu opremu. Tijekom rada sa sjekačem kabela uvijek nosite zaštitne naočale.

Spriječite slučajno aktiviranje sjekača kabela. Uvjerite se da je okidač prije priključivanja na zamjensku bateriju osiguran putem blokade uključivanja.

Sjekač kabela nikada ne držite za čeljusti za sječenje.

Provjerite prije svake upotrebe imaju li čeljusti za sječenje napuklina ili znakova pohabanosti.

Koristite sjekač kabela, zamjensku bateriju i punjač samo ako su u bespriječnom stanju.

Oštećenja odmah dati na popravak autoriziranoj stručnoj radionici.

Prije svih radova na stroju izvaditi bateriju za zamjenu.

Sjekač kabela smije se koristiti samo s umetnutnim alatom za sječenje.

Prije sječenja uklonite sve korištene alatke i ključeve.

Kako biste izbjegli ozljede, nikada ne uranjajte alatku, zamjensku bateriju ili punjač u tekućinu odnosno na dozvolite da tekućina dospije u njih.

Sjekač kabela držite za obje ručke.

Baterije sistema M18 puniti samo sa uređajem za punjenje sistema M18. Ne puniti baterije iz drugih sistema.

Baterije za zamjenu i uređaje za punjenje ne otvarati i čuvati ih samo u suhim prostorijama. Čuvati protiv vlage.

Zbog izbjegavanja opasnosti od požara jednim kratkim spojem, opasnosti od ozljeda ili oštećenja proizvoda, alat, izmjenjivi akumulator ili napravu za punjenje ne uronjavati u tekućine i pobrinite se za to, da u uređaje ili akumulator ne prodiru nikakve tekućine. Korozirajuće ili vodljive tekućine kao slana voda, određene kemikalije i sredstva za bijeljenje ili proizvodi koji sadrže sredstva bijeljenja, mogu prouzročiti kratak spoj.

UPOZORENJE



Uređaj sadrži gumbaste litijeve baterije. Nova ili korištena baterija mogu prouzročiti teške unutarnje opekotine i smrt u samo dva sata ako se progutaju ili uđu u tijelo. Uvijek pazite na to da je baterijski pretinac prekriven. Ako nije dobro zatvoren, zaustavite uređaj i uklonite bateriju te ju držite izvan dohvata djece. Ako mislite da je netko progutao bateriju ili da je ona na drugi način ušla u tijelo, zatražite liječnički savjet.

PREOSTALE OPASNOSTI

Prije postupka sječenja mora se sukladno lokalnim propisima postaviti ograda za onemogućavanje pristupa.

Sijecite samo kabele koji nisu pod naponom!

Kablovi i užad ne smiju se izlagati mehaničkim silama.

U slučaju ignoriranja ovog upozorenja može doći do ozbiljne ozljede, smrti, požara i druge materijalne štete usljed strujnog udara, eksplozije i/ili električnog luka.

Nositi zaštitne naočale.

PROPIISA UPOTREBA

Rezač kabela namijenjen je razdvajanju kabela od bakra ili aluminija koji nisu pod naponom, ACSR užadi (užad od aluminija/čelika), čeličnih užadi ovisno o tipu kabela.

Rezanje odn. razdvajanje kabela i užadi pomoću ovoga rezača kabela smije obavljati samo osoba koja se razumije u elektrotehniku.

Rukovatelj ovog sjekača kabela mora prije prvog rukovanja te nakon toga, najmanje jednom godišnje, biti poučen o naročitim opasnostima tijekom rukovanja uređajem te o potrebnim sigurnosnim mjerama.

Tvrtka mora:

- rukovatelju osigurati pristup uputama za rukovanje i
- osigurati da ih rukovatelj pročita i razumije.



UPOZORENJE Pročitajte sve sigurnosne upute, napomene, prikaze i podatke koje dobijete uz uređaj. Ako se ne bi poštile napomene o sigurnosti i upute to bi moglo uzrokovati strujni udar, požar i/ili teške ozljede.

Sačuvajte sve napomene o sigurnosti i upute za buduću primjenu.

PRIMJENA

Pripremanje radnog područja

Prije početka posla nužno je osigurati da vodovi ili užad ne budu pod naponom te da tako ostane tijekom cijelog vremena trajanja radova.

Ukoliko se ne može bez sumnje utvrditi isključeni kabel ili isključeni izolirani vod, ne smije se obavljati posao.

Obvezno se moraju poštovati lokalni sigurnosni propisi i pravila.

Kablovi i užad ne smiju se izlagati mehaničkim silama te moraju po potrebi biti osigurani protiv nekontroliranog pomicanja nakon sječenja.

Pumpa ne smije biti izložena kiši niti se smije koristiti u mokroj ili vlažnoj sredini.

Priprema sjekača kabela i baterije

Prije svake upotrebe:

- Provjerite ima li sjekač kabela vanjskih oštećenja
- Provjerite prije svake upotrebe imaju li čeljusti za sječenje napuklina ili znakova pohabanosti

Koristite alat samo u savršenom stanju!

Prije postupka sječenja mora se provjeriti kapacitet baterije: minimalno 33% (vidi opis na slici).

Možda će se morati napuniti prije početka posla.

Priprema za proces sječenja

Poduprite ili fiksirajte kabel ili užde koje sijećete kako biste minimizirali rizik nekontroliranog pomicanja.

Naročito kod slobodnih vodova i užadi postoji mogućnost nekontroliranog pomicanja te posljednjih ozljeda i/ili oštećenja.

Rezna glava mora se postaviti pod kutom od 90° u odnosu na kabel ili užde tako da ona bez natezanja uđe u rezu čeljusti te se izbjegnu nepovoljne sile smicanja.



UPOZORENJE: Kako biste smanjili rizik od eksplozije, strujnog udara ili oštećenje imovine i opreme, nikada ne sijecite kabele pod električnim naponom.

Alat NIJE izoliran. Kontakt sa strujnim vodom pod naponom može prouzročiti ozbiljne ozljede ili smrt. Isključite dovod struje prije sječenja. Nikada ne sijecite plinske ili vodovodne vodove. Držite ruke dalje od alata za sječenje i pokretnih dijelova. Postoji opasnost od teških ozljeda ili amputacije ekstremiteta.

Uvijek uklonite bateriju prije mijenjanja ili uklanjanja pribora. Koristiti isključivo pribor preporučan za ovu alatku. Korištenje drugog pribora može biti opasno.

Kako biste smanjili rizik od ozljeda, nosite zaštitne rukavice ili naočale sa bočnom zaštitom.



UPOZORENJE: Da biste umanjili rizik ozljede samo režite preporučene materijale za oštrice. (pogledajte „Tehničke podatke“) Ne pokušavajte sjeći druge materijale.

Sječenje

• Uvjerite se prije sječenja da su oštrice ispravno postavljene.

1. Postavite kabel pod pravim kutom na oštrice rezača kabela. Ne pokušavajte izvoditi rezove pod kutom jer će to oštetiti kabel i oštrice.

2. Čvrsto držite ručku/e.

Povucite i držite okidač tijekom rukovanja.

LED svjetlo će se upaliti kad je okidač povučen.

Kad je rez obavljen ili uređaj isključen, pustite ponovno okidač i aktivirajte prekidač za resetiranje kako bi se otvorile rezne čeljusti.

Napomena: Obradak se može blago pomaknuti tijekom sječenja.



Postupci u slučaju grešaka

- kabel može biti zasječen i pod naponom, odmah informirajte osobu zaduženu za sigurnost, prekinite rezanje, poduzmite odgovarajuće sigurnosne mjere
- Uvijek se pobrinite da je uređaj isključen i da će ostati isključen iz napajanja strujom prije prilaska i dodirivanja uređaja
- pritisnite i držite gumb za resetiranje dok se sjekač u potpunosti ne otvori
- provjerite kapacitet baterije
- provjerite materijal i njegovu gustoću na osnovi tehničkih podataka
- Ako se sumnja da je kabel pod naponom, sjekač kabela treba biti provjeren od strane ovlaštene specijalizirane radionice

Zakočene oštrice

- Priljavština i nakupine mogu uzrokovati da se oštrice zakače jedna za drugu nakon sječenja
- Pritisnite i držite okidač za resetiranje da biste resetirali alatku.
 - Izvadite baterije.
 - Slijedite upute na slikovnom prikazu za otvaranje rezne čeljusti
 - Očistite svu prljavštinu i nakupine s oštrica prije započinjanja novog sječenja.

Savjeti za sječenje

- Ne pokušavajte izvoditi rezove pod kutom jer će to oštetiti kabal i oštrice.
- Sijecite čistim materijal da biste produžili životni vijek oštrice. Obrišite prljavštinu i nakupine s materijala i oštrica prije započinjanja sječenja.

ODRŽAVANJE

Prije svih radova na stroju izvadite bateriju za zamjenu.

Nikad ne otvarajte sjekač kabela, zamjenjive baterije ili punjač.

Provjerite ima li sjekač kablova bilo kakvih problema kao što je buka ili zahvatanje pomjerajućih dijelova koji bi mogli utjecati na funkcioniranje alatke.

Provjerite imaju li alatke za sječenje napuklina ili znakova pohabanosti.

Nakon završenog posla očistite i podmažite alatke za sječenje.

Provjerite jesu li oštrice za sječenje oštre te zamijenite istrošene čeljusti za sječenje.

Zamijenite oštrice kad postanu okrnjene ili oštećene. Uvijek zamijenite cijeli set oštrica. Upotrebljavajte samo MILWAUKEE oštrice.

Provjerite mogu li se alatke za sječenje slobodno pomjerati.

Kako biste izbjegli ozljede, nikada ne uranjajte alatku, zamjensku bateriju ili punjač u tekućinu odnosno ne dozvolite da tekućina dospjeje u njih.

Prereze za prozračivanje stroja uvijek držati čistima.

Uređaj sadrži hidrauličko ulje, koje predstavlja opasnost za podzemnu vodu. Nekontrolirano ispuštanje i nestručno zbrinjavanje se kažnjava.

Uređaj treba održavati svakih šest do dvanaest mjeseci, ovisno o upotrebi.

Više informacija o intervalima održavanja možete naći preko ONE-KEY aplikacije.

Radove održavanja i popravke smiju izvoditi samo autorizirane stručne radionice.

Primijeniti samo Milwaukee opremu i Milwaukee rezervne dijelove. Sastavne dijelove, čija zamjena nije opisana, dati zamijeniti kod jedne od Milwaukee servisnih službi (poštivati brošuru Garancija/ Adrese servisa).

Po potrebi se može zatražiti crtež eksplozije aparata uz davanje podataka o tipu stroja i desetoznamenkastog broja na pločici snage kod Vaše servisne službe ili direktno kod Techtronic Industries GmbH, Max-Eyth-Straße 10, 71364 Winnenden, Germany.

ONE-KEY™

Kako biste više saznali o ONE-KEY funkcionalnosti ove alatke, pročitajte priloženu uputu za brzi početak ili nas posjetite na internetu na <http://www.milwaukeetool.com/one-key>

Aplikaciju ONE-KEY možete preuzeti na vaš pametni telefon preko App Store ili Google Play.

Nakon što dođe do elektrostatičnog pražnjenja Bluetooth veza će se isključiti i ugasi će se sučelje aplikacije. Aplikacija se neće moći koristiti 45 sekundi. Nakon 45 s aplikacija treba da se pokrene iznova da bi se obnovila." Uvjerili smo se da je rezultat u skladu s našom najnižom prihvatljivom razinom djelovanja prema EN 301489-1/ EN 301489-17. I dostaviti ćemo smjernice za uporabu kupcu u uputstvu za uporabu.

BATERIJE

Temperatura od preko 50°C smanjuje učinak baterija. Duže zagrijavanje od strane sunca ili grijanja izbjeci.

Priključne kontakte na uređaju za punjenje i baterijama držati čistima.

Za optimalni vijek trajanja se akumulatori poslije upotrebe moraju sasvim napuniti. Baterije koje duže vremena nisu korištene, prije upotrebe napuniti.

Za što moguće duži vijek trajanja, akumulatori se nakon punjenja moraju odstraniti iz punjača.

Kod skladištenja akumulatora duže od 30 dana; Akumulator skladištiti na suhom kod ca. 27°C., Akumulator skladištiti kod ca. 30%-50% stanja punjenja., Akumulator ponovno napuniti svakih 6 mjeseci.

Istrošene baterije za zamjenu ne baciti u vatru ili u kućno smeće. Milwaukee nudi mogućnost uklanjanja starih baterija odgovarajuće okolini. Milwaukee nudi mogućnost uklanjanja starih baterija odgovarajuće okolini; upitajte molimo Vašeg stručnog trgovca.

Baterije za zamjenu ne čuvati skupa sa metalnim predmetima (opasnost od kratkog spoja).

TRANSPORT LITIJSKIH IONSKIH BATERIJA

Litijske-ionske baterije spadaju pod zakonske odredbe u svezi transporta opasne robe.

Prijevoz ovih baterija mora uslijediti uz poštivanje lokalnih, nacionalnih i internacionalnih propisa i odredaba.

Korisnici mogu bez ustručavanja ove baterije transportirati po cestama.

Komercijalni transport litijsko-ionskih baterija od strane transportnih poduzeća spada pod odredbe o transportu opasne robe. Otpremničke pripreve i transport smiju izvoditi isključivo odgovarajuće školovane osobe. Kompletni proces se mora pratiti na stručan način.

Kod transporta baterija se moraju poštivati sljedeće točke:

Uvjerite se da su kontakti zaštićeni i izolirani kako bi se izbjegli kratki spojevi. Pazite na to, da blok baterija unutar pakiranja ne može proklizavati. Oštećene ili iscrpljene baterije se ne smiju transportirati. U svezi ostalih uputa obratite se vašem prijevoznom poduzeću.



CE-IZJAVA KONFORMNOSTI

Izjavljujemo pod vlastitom odgovornošću da proizvod opisan u odjeljku „Tehnički podaci“ ispunjava sve potrebne odredbe smjernica 2011/65/EU RoHS, 2006/42/EC, 2014/53/EU i da su korišteni sljedeći usklađeni standardi

EN 62841-1:2015
EN 62479:2010
EN 55014-1:2017+A11:2020
EN 55014-2:2015
EN 301 489-1 V2.2.3
EN 301 489-17 V3.1.1
EN 300 328 V2.2.2
EN IEC 63000:2018



Winnenden, 2021-04-07

Alexander Krug / Managing Director
Ovlašten za formiranje tehničke dokumentacije.
Techtronic Industries GmbH
Max-Eyth-Straße 10, 71364 Winnenden, Germany

SIMBOLI



Molimo da pažljivo pročitate uputu u upotrebi prije puštanja u rad.



UPOZORENJE!
Opasnost od letećih dijelova.



Kod radova na stroju uvijek nositi zaštitne naočale.



Uređaj sadrži gumbaste litijeve baterije.



Opasnost od strujnog udara



PAŽNJA! UPOZORENIE! OPASNOST!



Prije svih radova na stroju izvaditi bateriju za zamjenu.



Ruke i odjeću neprijenu uz tijelo držati dalje od alatki za rezanje i drugih pokretnih dijelova. Prsti mogu dospjeti u mehanizam za rezanje te ih tako odsjeći ili povrijediti.



Oprema - u opsegu isporuke nije sadržana, preporučena dopuna iz promograma opreme.



Elektrouređaji, baterije/akumulatori se ne smiju zbrinjavati skupa sa kućnim smećem. Električni uređaji i akumulatori se moraju skupljati odvojeno i predati na zbrinjavanje primjereno okolišu jednom od pogona za iskorišćavanje. Raspitajte se kod mjesnih vlasti ili kod stručnog trgovca u svezi gospodarstva za recikliranje i mjesta skupljanja.

V Napon

Istosmjerna struja



Europski znak suglasnosti



Britanski znak suglasnosti



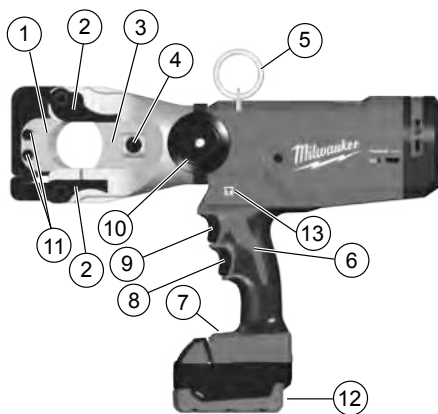
Ukrajinski znak suglasnosti



Euroazijski znak suglasnosti



TEHNISKIE DATI	M18 HCC45
Kabeļu griezējs	
Izlaides numurs	4772 37 01... ... 000001-999999
Frekvенču josla	2402-2480 MHz
Signāla jauda	1,8 dBm
Akumulātorā spriegums	18 V
presēšanas spēks	77,8 kN
Griešanas diapazons Atkarībā no kabeļa veida	maksimālais Ø 44 mm
ACSR: Alumīnijs-/Tērauda troses Varš / Alumīnijs	
Svars atbilstoši EPTA -Procedure 01/2014 (Li-Ion 2,0 Ah...9,0Ah)	6 kg...6,6 kg
Darbībai ieteicamā apkārtnes temperatūra	-18°C... +50°C
Ieteicamie akumulatoru komplekti	M18B...
Ieteicamās uzlādes ierīces	M12-18...
Trokšņu informācija	
Vērtības, kas noteiktas saskaņā ar EN 62841. A novērtētās aparātūras skaņas līmenis ir:	
Trokšņa spiediena līmenis (Nedrošība K=3dB(A))	76,9 dB(A)
Trokšņa jaudas līmenis (Nedrošība K=3dB(A))	87,9 dB(A)
Nēsāt trokšņa slāpētāju!	
Vibrāciju informācija	
Svārstību kopejā vērtība (Trīs virzienu vektoru summtiek noteiktai atbilstoši EN 62841.	
svārstību emisijas vērtība _n	1,2 m/s ²
Nedrošība K=	1,5 m/s ²



Ierīces apraksts

- | | |
|-----------------------------|---------------------------------|
| ① Priekšējais asmens | ⑧ Atbrīvotāja mēlīte |
| ② Žokļu atbrīvošanas sviras | ⑨ Mēlīte |
| ③ Aizmugurējais asmens | ⑩ Papildu rokturis |
| ④ Asmens fiksācijas tapa | ⑪ 5 mm seškantu iedobes skrūves |
| ⑤ Pakarināšanas oša | ⑫ Baterija |
| ⑥ Rokturis | ⑬ ONE KEY indikators |
| Izolēta satveršanas virsma | |
| ⑦ Gaisma diode | |

⚠ UZMANĪBU Izlasiet visus drošības norādījumus, instrukcijas, attēlus un datus, ko saņemat kopā ar ierīci. Šeit sniegto drošības noteikumu un norādījumu neievērošana var izraisīt aizdegšanos un būt par cēloni elektriskajam triecienam vai nopietnam savainojumam.
Pēc izlasīšanas uzglabājiet šos noteikumus turpmākai izmantošanai.

⚠ DROŠĪBAS NORĀDĪJUMI, LIETOJOT KABEĻU GRIEZĒJU

Lai mazinātu eksplozijas, elektriskās strāvas trieciena draudus un risku sabojāt īpašumu vai ierīci, nekad nedrīkst griezt zem sprieguma esošus kabeļus. Instruments nav elektriski izolēts.

Nepietuviniet rokas un brīvu apģērbu griezējinstrumentiem un citām kustīgām detaļām. Pastāv nopietnu savainojumu, tostarp ekstremitāšu zaudēšanas, risks.

Ieteicams nēsāt aizsargapģērbu, kā piemēram, aizsargmasku, aizsargcimdus, kurpes no stingra un neslīdīga materiāla, ķiveri un ausu aizsargus.

Jāizmanto aizsargapriekojums. Strādājot ar kabeļu griezēju, vienmēr valkājiet aizsargbrilles.

Izvairieties no nejaušas kabeļu griezēja iedarbināšanas. Pirms pievienojat noņemamo akumulatoru, pārliecinieties, ka mēlīte ir nobloķēta ar fiksatoru.

Nekad nesatveriet kabeļu griezēju aiz griešanas žokļiem.

Pirms lietošanas pārliecinieties, ka griešanas žokļos nav plaisu vai cita veida bojājumu.

Kabeļu griezēju, akumulatoru un lādētāju atļauts izmantot tikai tad, ja tiem nav nekādu bojājumu.

Bojājumu rašanās gadījumā nekavējoties nodot rīku labošanai specializētā servisā.

Pirms mašīnai veikt jebkāda veida apkopes darbus, ir jāizņem ārā akumulators.

Kabeļu griezēju pieļaujams izmantot tikai ar ievietotiem griešanas žokļiem.

Pirms griešanas aizvāciet visus montāžas rīkus un uzgriežņus atslēgas.

Lai izvairītos no savainojumiem un bojājumiem, instrumentu, akumulatoru vai lādētāju nekad nemērciet ūdenī un nelaujiet tajos iekļūt mitrumam.

Kabeļu griezēju turiet aiz abiem rokturiem.

M18 sistēmas akumulatorus lādēt tikai ar M18 sistēmas lādētājiem. Nedrīkst lādēt citus akumulatorus no citām sistēmām.

Akumulatorus un lādētājus nedrīkst taisyt vaļā un tie jāuzglabā sausās telpās.

Lai novērstu īssavienojuma izraisītu aizdegšanās, savainojumu vai produkta bojājuma risku, neiegremdējiet instrumentu, maināmo akumulatoru vai uzlādes ierīci šķidrums un rūpējieties par to, lai ierīcēs un akumulatoros neieklūtu šķidrums. Koroziju izraisoši vai vadītspējīgi šķidrumi, piemēram, sālsūdens, noteiktas ķīmikālijas, balinātāji vai produkti, kas satur balinātājus, var izraisīt īssavienojumu.

UZMANĪBU



Šai ierīcei ir pogas/monētas tipa lītija baterija. Ja jauna vai lietota baterija tiek norīta vai nonāk ķermenī, tā ar izraisīt smagus iekšējus apdegumus un nāvi ātrāk nekā 2 stundu laikā. Vienmēr nostipriniet baterijas nodalījuma vāciņu. Ja tas droši neaizveras, apturiet ierīci, izņemiet bateriju un noglabājiet bērniem nepieejamā vietā. Ja domājat, ka baterijas ir norītas vai citādi nonākušas ķermenī, nekavējoties meklējiet medicīnisku palīdzību.

PĀRĒJIE RISKI

Pirms griešanas uzsākšanas darbības vieta jānorobežo atbilstoši vietējiem noteikumiem.

Drīkst griezt tikai kabeļus, kas atvienoti no barošanas avota!

Kabeļus un troses nedrīkst ietekmēt mehāniski spēki.

Šo noteikumu neievērošana var izraisīt nopietnus savainojumus, nāvi, ugunsgrēku vai īpašumu bojājumus, ko izsauc elektriskās strāvas trieciens, eksplozija un/vai elektriskais loks.

Jālieto aizsargbrilles.

NOTEIKUMIEM ATBILSTOŠS IZMANTOJUMS

Kabeļu griezējs ir piemērots no sprieguma brīvu izolēta vara vai alumīnija kabeļu, ACSR trošu (alumīnija/tērauda trošu), tērauda trošu nogriešanai atkarībā no kabeļa tipa.

Kabeļu un trošu griešanu vai nogriešanu drīkst veikt tikai ar elektrotehniku apmācīta persona.

Šā kabeļu griezēja operatoram pirms darba uzsākšanas un turpmāk vismaz reizi gadā jābūt informētam par specifiskiem riskiem, kas saistīti ar šā instrumenta izmantošanu, un svarīgiem drošības pasākumiem.

Darba izpildes uzņēmumiem:

- jānodrošina operatora piekļuve lietošanas instrukcijai un
- jāseko, lai operators būtu iepazinies ar tās saturu un to izpratis.

⚠ UZMANĪBU Izlasiet visus drošības norādījumus, instrukcijas, attēlus un datus, ko saņemat kopā ar ierīci.

Šeit sniegto drošības noteikumu un norādījumu neievērošana var izraisīt aizdegšanos un būt par cēloni elektriskajam triecienam vai nopietnam savainojumam.

Pēc izlasīšanas uzglabājiet šos noteikumus turpmākai izmantošanai.

IZMANTOŠANA

Darba vietas sagatavošana

Pirms darba sākuma un to laikā jānodrošina, lai vadi un troses nebūtu nospriegotas.

Ja nav iespējams droši pārliecināties par to, ka kabelis vai izolēta līnija ir atslēgta, nekādus darbus uzsākt nedrīkst.

Noteikti jāievēro spēkā esošie drošības noteikumi un normas.

Kabeļus un troses nedrīkst ietekmēt mehāniski spēki un, ja nepieciešams, pēc griezuma tie/tās jānostiprina pret nekontrolētām kustībām.

Nepakļaujiet instrumentus lietus iedarbībai. Nelietojiet instrumentus mitros vai slapjos apstākļos.

Kabeļu griezēja un akumulatora sagatavošana

Katru reizi pirms lietošanas:

- Apskatiet, vai kabeļu griezējam nav ārēju defektu
- Pārlicinieties, ka griešanas asmeņiem nav plaisu vai citu bojājumu

Lietojiet tikai perfektā kārtībā esošu instrumentu!

Pirms griešanas uzsākšanas pārbaudiet akumulatora uzlādes līmeni: tas nedrīkst būt mazāks par 33% (skat. ilustrēto aprakstu).

Var gadīties, ka pirms darba akumulatoru būs nepieciešams uzlādēt.

Sagatavošanās griešanai

Atbalstiet un nofiksējiet griezamo kabeli vai trosi, lai līdz minimumam samazinātu nekontrolētas kustības risku.

Jo īpaši brīvēstāvoši vadi un troses var sākt nekontrolēti kustēties un izraisīt traumas un/vai bojājumus.

Griežēgalva jāpieliek pie kabeļa vai troses 90° leņķī, lai tas/tā bez nospieguma novietotos atvērto griezējošajās un lai izvairītos no nelabvēlīgiem cīpes spēkiem.



UZMANĪBU: Lai mazinātu eksplozijas, elektriskās strāvas trieciena draudus un risku sabojāt īpašumu vai ierīci, nekad nedrīkst griezt zem sprieguma esošus kabeļus. Instruments nav elektriski izolēts. Saskare ar zem sprieguma esošu vadu var izraisīt smagus savainojumus vai nāvi. Pirms griešanas izslēdziet spriegumu! Nekad nemēģiniet pārgriezt gāzes vai ūdensvada caurules! Turiet rokas tālāk no visām griešanas šķautnēm un kustīgajiem elementiem. Tie var izraisīt grieztas brūces vai pat amputēt ekstremitātes.

Pirms instrumenta detaļu demontāžas un nomainas vienmēr atvienojiet akumulatoru. Izmantojiet tikai šai ierīcei paredzētās rezerves daļas. Nepiemērotu detaļu izmantošana var būt ļoti bīstama.

Lai mazinātu savainošanās risku, valkājiet aizsargbrilles vai brilles ar sānu vairodziņiem.



UZMANĪBU: Lai izvairītos no savainojumiem, izmantojiet tikai attiecīgajam griezamajam materiālam piemērotus asmeņus. (skat. „Specifikāciju“) Nemēģiniet griezt nepiemērotus materiālus.

Griešana

- Pirms griešanas pārlicinieties, ka asmeņi ir pienācīgi uzstādīti.

1. Virziet kabeli taisnā leņķī pie kabeļu griezēja asmeņiem. Nemēģiniet veikt griezumu leņķī, jo tā tiks sabojāts kabelis un asmeņi.



2. Stingri satveriet rokturi(-us).
Nospiediet mēlīti un visu operācijas laiku turiet to nospiestu.
Piespiežot mēlīti, iedegas gaiss diode.
Kad griezums ir veikts vai instruments ir izslēgts, atļaidiet aktivizēšanas slēdzi un nospiediet atiestates slēdzi, lai atvērtos griezējžokļi.
Piezīme: Griešanas laikā kabelis var nedaudz izkustēties.

Rīcība neparedzētās situācijās

- Kabelis var tikt iegriezts un būt ar spriegumu, vienmēr informējiet par drošību atbildīgo personu, pārtrauciet griešanu, veiciet atbilstīgus drošības pasākumus
- Vienmēr pārliecinieties, ka kabelis atvienots no sprieguma un nodrošināts šādā stāvoklī, un tikai pēc tam tuvojieties tam un aizskariet to.
- nospiediet un turiet nospiestu atiestates pogu, līdz griezēja žokļi pilnībā atvērušies
- pārbaudiet akumulatora lādiņu
- pārbaudiet materiāla un materiāla biezuma atbilstību tehniskajai specifikācijai
- Ja radušās aizdomas, ka ir griezts zem sprieguma esošs kabelis, kabeļu griezējs jānodod pārbaudei pilnvarota servisa speciālistiem

Iestrēguši asmeņi

- Netīrumi un skaidas var kļūt par iemeslu tam, ka pēc griešanas žokļi iestrēgst
- Nospiediet un turiet nospiestu atiestates mēlīti, lai panāktu ierices atiestati.
 - Noņemiet akumulatora komplektu.
 - Ievērojiet ilustrēto aprakstu griezējžokļu atvēršanai
 - Pirms uzsākt jaunu griešanas darbību, rūpīgi notīriet no asmeņiem netīrumus un skaidas.

Ieteikumi griešanai

- Nemēģiniet veikt griezumu leņķi, jo tā tiks sabojāts kabelis un asmeņi.
- Grieziet tīrus kabeļus, lai paildinātu asmeņu lietošanas laiku. Pirms uzsākt griešanu, noslaukiet netīrumus no kabeļa un asmeņiem.

APKOPE

Pirms mašīnai veikt jebkāda veida apkopes darbus, ir jāizņem arī akumulators.

Nekad nemēģiniet izjaukt kabeļu griezēju, akumulatoru vai lādētāju.

Sekojiet, vai kabeļu griezējam neparādās problēmas, piemēram, troksnis vai iestrēgšana, kas var ietekmēt instrumenta darbību. Pārbaudiet, vai griešanas instrumentam nav parādījušās plaisas vai kādas citas nolietotības pazīmes.

Pēc darbu pabeigšanas notīriet un ieeļļojiet griešanas žokļus.

Pārliecinieties, ka asmeņi ir uzasināti, nodilušus griešanas žokļus nomainiet.

Ja asmeņus parādījušies robi vai cita veida bojājumi, nomainiet tos. Vienmēr mainiet abus asmeņus reizē. Izmantojiet tikai „MILWAU-KEE” markas asmeņus.

Pārliecinieties, ka griešanas žokļi var brīvi pārvietoties.

Lai izvairītos no savainojumiem un bojājumiem, instrumentu, akumulatoru vai lādētāju nekad nemērciet ūdenī un neļaujiet tajos iekļūt mitrumam.

Vajag vienmēr uzmanīti, lai būtu tīras dzesēšanas atveres.

Iekārtā atrodas hidrauliskā eļļa, kas rada draudus gruntsūdeņiem. Nekontrolēta eļļas noplūde vai nekompetenta tās iznīcināšana ir sodāma.

Atkarībā no lietošanas intensitātes ierīcei ik pēc sešiem līdz divpadsmit mēnešiem jāveic apkope.

Vairāk informācijas par servisa intervāliem var uzziņāt ar lietotnes „ONE-KEY” palīdzību.

Apkopes darbus un remontdarbus drīkst veikt tikai autorizēti specializētie servisi.

Izmantojiet tikai firmu Milwaukee piederumus un firmas Milwaukee rezerves daļas. Lieciet nomainīt detaļas, kuru nomainā nav aprakstīta, kādā no firmu Milwaukee klientu apkalpošanas servisiem. (Skat. brošūru „Garantija/klientu apkalpošanas serviss”.)

Ja nepieciešams, klientu apkalpošanas serviss vai tieši pie firmas Techtronic Industries GmbH, Max-Eyth-Straße 10, 71364 Winnenden, Germany, var pieprasīt instrumenta numurs, kas norādīts uz jaudas paneļa.

ONE-KEY™

Lai uzziņātu vairāk par šā instrumenta ONE-KEY funkciju, izlasiet pievienoto ātrās palāides instrukciju vai apmeklējiet mūs internetā <http://www.milwaukeetool.com/one-key>.

ONE-KEY lietotni savā viedtālrunī varat lejupielādēt no App Store vai Google Play.

Ja notiek elektrostātiskā izlāde, Bluetooth komunikācija tiks atvienota, un notiks iziešana no lietotnes saskarnes. Un lietotne 45 sekundes nav lietojama. Pēc 45 sekundēm nepieciešams atiestatīt lietotni, lai to atkoptu. Mēs uzskatām rezultātu par atbilstošu minimālajam pieļaujamam snieguma līmenim saskaņā ar EN 301489-1/ EN 301489-17. Lietošanas instrukcijas klientam ir sniegtas lietotāja rokasgrāmatā.

AKUMULĀTORI

Pie temperatūras, kas pārsniedz 50°C, akumulatoru darbība tiek negatīvi ietekmēta. Vajag izvairīties no ilgākas saules un karstuma iedarbības.

Lādētāja un akumulatoru pievienojuma kontakti jāuztur tīri.

Lai baterijas darba ilgums būtu optimāls, pēc iekārtas izmantošanas tā jāuzlādē. Akumulātori, kas ilgāku laiku nav izmantoti, pirms lietošanas jāuzlādē.

Lai akumulatori kalpotu pēc iespējas ilgāku laiku, tos pēc uzlādes ieteicams atvienot no lādētāj ierīces.

Akumulatora uzglabāšana ilgāk kā 30 dienas; uzglabāt akumulatoru pie aptuveni 27°C un sausā vietā. Uzglabāt akumulatoru uzlādes stāvoklī aptuveni pie 30%-50%. Uzlādēt akumulatoru visus 6 mēnešus no jauna.

Izmantotos akumulārus nedrīkst mest ugunī vai parastajos atkritumos. Firma Milwaukee piedāvā iespēju vecos akumulatorus savākt apkārtējo vidi saudzējošā veidā; jautājiet specializētā veikalā.

Akumulatorus nav ieteicams glabāt kopā ar metāla priekšmetiem (iespējams īsslēgums).



LITĪJA JONU AKUMULATORU TRANSPORTĒŠANA

Uz litija jonu akumulatoriem attiecas noteikumi par bīstamo kravu pārvadāšanu.

Šo akumulatoru transportēšana jāveic saskaņā ar vietējiem, valsts un starptautiskajiem normatīvajiem aktiem un noteikumiem.

Patērētāja darbības, pārvadājot šos akumulatorus pa autoceļiem, nav reglamentētas.

Uz litija jonu akumulatoru komerciālu transportēšanu, ko veic ekspedīcijas uzņēmums, attiecas bīstamo kravu pārvadāšanas noteikumi. Sagatavošanas darbus un transportēšanu drīkst veikt tikai atbilstoši apmācīts personāls. Viss process jāveda profesionāli.

Veicot akumulatoru transportēšanu, jāievēro:

Pārlicinieties, ka kontakti ir aizsargāti un izolēti, lai izvairītos no issavienojumiem. Pārlicinieties, ka akumulators iepakojumā nevar paslīdēt. Bojātus vai tekošus akumulatorus nedrīkst transportēt. Plašāku informāciju Jūs varat saņemt no ekspedīcijas uzņēmuma.

ATBILSTĪBA CE NORMĀM

Mēs ar pilnu atbildību paziņojam, ka izstrādājums, kas raksturots šajā „Tehniskie dati”, atbilst visām attiecīgajām prasībām direktīvās

2011/65/ES RoHS, 2006/42/EK, 2014/53/ES

un ir piemēroti šādi saskaņotie standarti

EN 62841-1:2015

EN 62479:2010

EN 55014-1:2017+A11:2020

EN 55014-2:2015

EN 301 489-1 V2.2.3

EN 301 489-17 V3.1.1

EN 300 328 V2.2.2

EN IEC 63000:2018



Winnenden, 2021-04-07

Alexander Krug / Managing Director
Pilnvarotais tehniskās dokumentācijas sastādīšanā.
Techtronic Industries GmbH
Max-Eyth-Straße 10, 71364 Winnenden, Germany

SIMBOLI



Pirms sākt lietot instrumentu, lūdz, izlasiet lietošanas pamācību.



UZMANĪBU!
atpakaļ atmetajām sagataves daļām



Strādājot ar mašīnu, vienmēr jānēsā aizsargbrilles.



Šai ierīcei ir pogas/monētas tipa litija baterija.



Elektriskā trieciena risks



UZMANĪBU! BĪSTAMI!



Pirms mašīnai veikt jebkāda veida apkopes darbus, ir jāizņem arī akumulators.



Nepietuviniet rokas griezējinstrumentam un citām kustīgām detaļām. Pirksti var iekļūt griezēj mehānismā un tikt amputēti vai savainoti.



Piederumi - standartaprikojumā neietvertās, bet ieteicamās papildus komplektācijas detaļas no piederumu programmas.



Elektriskus aparātus, baterijas/akumulatorus nedrīkst izmantot kopā ar mājaiemniecības atkritumiem. Elektriski aparāti un akumulatori ir jāsavāc atsevišķi un jānodod atkritumu pārstrādes uzņēmumā videi saudzīgai utilizācijai. Jautājiet vietēja iestādē vai savam specializētajam tirgotājam, kur atrodas atkritumu pārstrādes uzņēmumi vai savākšanas punkti.

V Spriegums

--- Līdzstrāva



Eiropas atbilstības zīme



Lielbritānijas atbilstības zīme



Ukrainas atbilstības zīme



Eirāzijas atbilstības zīme

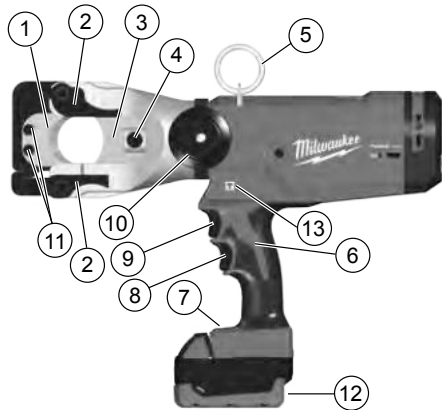


Lat

TECHNINIAI DUOMENYS	M18 HCC45
Kabelių karpytuvas	
Produkto numeris	4772 37 01... ... 000001-999999
dažnių juosta	2402-2480 MHz
radio dažnių galia	1,8 dBm
Keičiamo akumuliatoriaus įtampa	18 V
presavimo jėga	77,8 kN
Pjovimo diapazonas Priklauso nuo kabelio tipo	maks. Ø 44 mm
ACSR: Aliuminis-/Plieniniai lynai Varis / Aliuminis	
Prietaiso svoris įvertintas pagal EPTA 01/2014 tyrimų metodiką (Li-Ion 2,0 Ah...9,0Ah)	6 kg... 6,6 kg
Rekomenduojama aplinkos temperatūra eksploatuojant	-18°C ... +50°C
Rekomenduojami akumuliatoriai	M18B...
Rekomenduojami įkrovikliai	M12-18...
Informacija apie keliamą triukšmą	
Vertės matuotos pagal EN 62841. Įvertintas A įrenginio keliamo triukšmo lygis dažniausiai sudaro:	
Garso slėgio lygis (Paklaida K=3dB(A))	76,9 dB(A)
Garso galios lygis (Paklaida K=3dB(A))	87,9 dB(A)
Neįsieti klausos apsauginės priemonės!	
Informacija apie vibraciją	
Bendroji svyravimų reikšmė (trijų krypčių vektorių suma), nustatyta remiantis EN 62841.	
Vibravimų emisijos reikšmė _h	1,2 m/s ²
Paklaida K=	1,5 m/s ²



Liet



Įrenginio aprašymas

- | | |
|--|---|
| ① Priekinis diskas | ⑦ LED |
| ② Spaustuvo atleidimo svirtys | ⑧ Atlaisvinimo gaidukas |
| ③ Galinis diskas | ⑨ Gaidukas |
| ④ Fiksuojamasis disko kaištis | ⑩ Papildoma rankena |
| ⑤ Laikiklis | ⑪ 5 mm varžtai su šešiabriaune galvutės įduba |
| ⑥ Rankena
Izoliuotas rankenos paviršius | ⑫ Akumuliatorius |
| | ⑬ ONE KEY indikatorius |

⚠ DĖMESIO Perskaitykite visas saugos nuorodas, instrukcijas, iliustracijas ir duomenis, kuriuos gaunate su prietaisu. Jei nepaisysite žemiau pateiktų saugos nuorodų ir reikalavimų, gali trenkti elektros smūgis, kilti gaisras ir/arba galite sunkiai susižaloti arba sužaloti kitus asmenis.

Išsaugokite šias saugos nuorodas ir reikalavimus, kad ir ateityje galėtumėte jais pasinaudoti.

⚠ KABELIŲ KARPYTUVO SAUGOS NUORODOS

Norėdami sumažinti sprogingumą, elektros šoko ir žalos nuosavybei ir įrangai pavojų, niekada nenukirpkite elektros kabelių, kuriais teka elektros srovė. Įrankis NĖRA izoliuotas.

Rankas ir laisvus drabužius laikykite atokiau nuo kirpimo įrankių ir kitų judančių dalių. Kyla pavojus rimtai susižaloti, taip pat pavojus netekti galūnių.

Rekomenduotina dėvėti apsaugines priemones: apsaugos nuo dulkių respiratorius, apsaugines pirštines, kietus batus neslidžiais padais, šalną ir klausos apsaugines priemones.

Dėvėkite apsaugines priemones. Dirbdami laidų karpymo žnyplėmis, visada dėvėkite apsauginius akinius.

Saugokitės, kad laidų karpymo žnyplės netyčia neįkirptų. Prieš jungdami prie išimamo akumuliatoriaus, užtikrinkite, kad gaidukas būtų užfiksuotas jungiklio fiksatoriumi.

Niekada nelaikykite laidų kirpimo žnyplių už kirpimo žiočių.

Prieš naudodami, visada patikrinkite kirpimo žnyplių žiotis, ar yra įtrūkimų ar kitų nusidėvėjimo požymių.

Laidų karpymo žnyplės, išimamą akumuliatorių ir įkroviklį naudokite tik tada, jei jų techninė būklė yra nepriekaištinga.

Remontuoti pažeidimus nedelsdami paveskite įgaliotoms dirbtuvėms.

Lietuviškai

Prieš atlikdami bet kokius darbus įrenginyje, išimkite keičiamą akumuliatorių.

Laidų karpymo žnyplės galima naudoti tik su įstatytu karpymo įrankiu.

Prieš kirpdami pašalinkite bet kokius nustatymo įrankius ir veržliarakčius.

Niekada nemerkite įrankio, išimamo akumulatoriaus ar įkroviklio į skystį ir neleiskite skysčiui į juos patekti, kad išvengtumėte sužalojimų ir žalos.

Laidų karpymo žnyplės laikykite abiem rankomis.

Keičiamus M18 sistemos akumuliatorius kraukite tik „M18“ sistemos įkrovikliais. Nekraukite kitų sistemų akumuliatorių.

Keičiamų akumuliatorių ir įkroviklių nelaiykite atvirai. Laikykite tik sausoje vietoje. Saugokite nuo drėgmės.

Siekdami išvengti trumpojo jungimo sukeltą gaisro pavojaus, sužalojimų arba produkto pažeidimų, neikiškite įrankio, keičiamo akumulatoriaus arba įkroviklio į skysčius ir pasirūpinkite, kad į prietaisus arba akumuliatorių nepatektų jokių skysčių. Koroziją sukeliantys arba laidūs skysčiai, pvz., sūrus vanduo, tam tikri chemikalai ir balikliai arba produktai, kurių sudėtyje yra baliklių, gali sukelti trumpąjį jungimą.

DĖMESIO



Įrenginyje yra mygtuko / tabletės tipo ličio maitinimo elementas. Prarytas ar kaip nors kitaip patekęs į organizmą naujas arba naudotas maitinimo elementas per 2 valandas gali sukelti sunkių vidinių nudegimų ar mirtį. Visada pritvirtinkite maitinimo elemento skyriaus dangtį. Jei dangtis neužsidaro, išjunkite įrenginį, išimkite maitinimo elementą ir padėkite jį vaikams nepasiekiamoje vietoje. Jei manote, kad koks nors asmuo galėjo praryti maitinimo elementą arba jis kaip nors kitaip pateko į organizmą, nedelsdami kreipkitės į gydytoją.

KITI PAVOJAI

Prieš pradėdami karpimo procesą, būtina izoliuoti prieigą laikantis vietos nuostatų.

Visada kirpkite tik nuo maitinimo šaltinio atjungtus kabelius! Kabelių ir lynų negali veikti mechaninės jėgos.

Nesilaikant šio nurodymo, galimi rimti sužalojimai, mirtis, gaisras ir kita žala nuosavybei dėl elektros šoko, sprogimo ir (arba) elektros lankinės iškravos.

Dėvėkite apsauginius akinius.

NAUDOJIMAS PAGAL PASKIRTĮ

Kabelių karpytuvus tinka karpyti įtampos neturinčius kabelius, pagamintus iš izoliuoto vario ar aliuminio, ACSR lynus (aliumininius / plieninius lynus), plieninius lynus, kaskart priklausomai nuo kabelio tipo.

Pjaustyti arba karpyti kabelius ir lynus šiuo kabelių karpytuvu leidžiama tik elektrotechnikos srityje instruktuoatam asmeniui.

Šių laidų karpymo žnyplių naudotojas turi būti informuotas apie konkrečius pavojus, susijusius su laidų karpymo žnyplių naudojimu, ir pagrindines saugos priemones prieš jam pirmą kartą imantis darbo, o vėliau – bent kartą per metus.

Veiklą vykdanti įmonė turi:

- Pasirūpinti, kad naudotojas turėtų naudojimo instrukciją,
- užtikrinti, kad naudotojas ją perskaitytų ir suprastų.



DĖMESIO Perskaitykite visas saugos nuorodas, instrukcijas, iliustracijas ir duomenis, kuriuos gaunate su prietaisu. Jei nepaisysite žemiau pateiktų saugos nuorodų ir reikalavimų, gali trenkti elektros smūgis, kilti gaisras ir/arba gali net sunkiai susižaloti arba sužaloti kitus asmenis. **Išsaugokite šias saugos nuorodas ir reikalavimus, kad ir ateityje galėtumėte jais pasinaudoti.**

NAUDOJIMAS

Darbo vietos paruošimas

Prieš pradėdami darbą, būtina sukurti linijų arba lynų būseną be įtampos, ir ją užtikrinti, kol truks darbai.

Jei neįmanoma visiškai užtikrinti, kad kabelis arba izoliuota linija būtų atjungta, negalima atlikti jokių darbų.

Būtina laikytis vietinių saugos reikalavimų ir taisyklių.

Kabelių ir lynų negali veikti mechaninės jėgos, ir juos, esant reikalui, po karpymo būtina apsaugoti nuo nevaldomo judėjimo.

Saugokite įrankius nuo lietaus. Nedirbkite su įrankiais esant rūkiui ar drėgnose vietose.

Laidų karpymo žnyplių ir akumulatoriaus paruošimas

Prieš kiekvieną naudojimą:

- Patikrinkite laidų karpymo žnyplės, ar nėra išorinių defektų
- Patikrinkite karpymo įrankį, ar nėra įtrūkimų ar kitų nusidėvėjimo požymių

Naudokite tik puikios būklės!

Prieš prasidedant karpimo procesui būtina patikrinti akumuliatoriaus talpą: minimali – 33 % (žr. iliustruotą aprašymą).

Prieš pradėdami darbą gali prireikti įkrauti.

Pasiruošimas karpimo procesui

Paremkite ir užfiksuokite kerpamą kabelį arba lyną, kad sumažintumėte nevaldomo judėjimo riziką.

Ypač gali imti nevaldomai judėti oro linijos ir lynai ir sukelti sužalojimų ir (arba) pažeidimų.

Karpimo galvutė turi būti pridėta 90° kampu kabelio arba lyno atžvilgiu, kad šis be įtempių atsiremtų į atidarytą karpimo trinkele, ir būtų išvengta nepalankių šlyties jėgų.



DĖMESIO: Norėdami sumažinti sprogimų, elektros šoko ir žalos nuosavybei ir įrangai pavojų, niekada nenukirpkite elektros kabelių, kuriais teka elektros srovė.

Įrankis NĖRA izoliuotas. Prisilietus prie grandinės, kuria teka srovė, galimi rimti sužalojimai arba mirtis. Išjunkite maitinimą prieš kirpdami. Niekada nekirkite dujų ar vandens linijų. Nelieskite jokių aštrių briaunų ar judančių dalių. Galimos plėštinės žaizdos arba amputacija.

Prieš keisdami ar nuimdami priedus, visada išimkite akumuliatorių komplektą. Naudokite tik priedus, specialiai rekomenduotus šiam įrankiui. Kiti gali būti pavojingi.

Kad sumažintumėte pavojų susižaloti, dėvėkite apsauginius akinius arba akinius su šoniniais skydeliais.



⚠ DĖMESIO: Norėdami sumažinti susižalojimo pavojų, kirpkite medžiagas, rekomenduojamas kirpti šiomis geležtėmis. (žr. „Techninės savybės“) Nebandykite kirpti kitų medžiagų.

Kirpimas

• Prieš kirpdami užtikrinkite, kad geležtės būtų tinkamai įtaisytos.

1. Kreipkite kabelį statmenai prie kabelių karpytuvo ašmenų. Nebandykite kirpti kampu, nes taip galite sugadinti kerпамą objektą ir geležtes.

2. Tvirtai suimkite rankeną (-as).

Paspauskite gaiduką ir jį laikykite atlikdami operaciją.

Kai gaidukas nuspaustas, šviečia LED indikatorius.

Jei kirpimas yra atliktas, arba įrankis išsijungia, vėl atleiskite aktyvinimo įtaisą ir aktyvinkite atstato jungiklį, kad atsідarytų kirpimo trinkelės.

Pastaba: Kerпamas objektas gali šiek tiek judėti.

Veiksmai gedimų atveju

- kabelis gali būti įpjautas ir turėti įtampą, visada informuokite saugos įgaliotinį, nutraukite kirpimo procesą, imkitės tinkamų apsaugos priemonių
- Visada užtikrinkite, kad įrenginys būtų atjungtas nuo maitinimo šaltinio prieš priartėdami ir jį liiesdami
- paspauskite ir palaikykite nustatymo iš naujo mygtuką, kol žnyplės visiškai atsідarys
- patikrinkite akumulatoriaus talpą
- patikrinkite medžiagą ir medžiagos storį, palyginę su techniniais duomenimis
- Jei įtariama, kad buvo nukirptas kabelis, kuriuo teka elektros srovė, reikia patikrinti laidų kirpimo žnyplės įgaliotose specialistų dirbtuvėse

Užstrigusios geležtės

Dėl nesvarumų ir nuolaužų geležtės po kirpimo gali užstrigti

- Paspauskite ir palaikykite atlaisvinimo gaiduką, kad užtikrintumėte, jog įrankis nustatytas iš naujo.
- Išimkite akumuliatorių.
- vadovaukitės vaizdiniu aprašymu, kad atidarytumėte kirpimo trinkelės
- Nuvalykite nuo geležčių bet kokius nesvarumus ir nuolaužas prieš vėl pradėdami kirpti.

Kirpimo patarimai

- Nebandykite kirpti kampu, nes taip galite sugadinti kerпamą objektą ir geležtes.
- Kad geležtės ilgiau tarnautų, kirpkite švərią medžiagą. Nuvalykite nesvarumus ir nuolaužas nuo medžiagos ir geležčių prieš pradėdami kirpti.

TECHNINIS APTARNAVIMAS

Prieš atlikdami bet kokius darbus įrenginyje, išimkite keičiamą akumuliatorių.

Niekada neardykite laidų kirpimo žnyplių, išimamo akumulatoriaus ar įkroviklio.

Patikrinkite laidų kirpimo žnyplės, ar nėra kokių požymių, pavyzdžiui, judančių dalių triukšmo arba strigimo, kas galėtų pakenkti įrankiui.

Patikrinkite kirpimo įrankius, ar yra įtrūkimų ir kitų dėvėjimosi požymių.

Kai baigsite darbą, nuvalykite ir sutepinkite kirpimo įrankius.

Patikrinkite, ar kirpimo briaunos yra aštrios, taip pat pakeiskite nusidėvėjusias kirpimo žiotes.

Pakeiskite geležtes, kai jos sulūžinėja arba yra pažeistos. Visada keiskite visą geležčių komplektą. Naudokite tik MILWAUKEE geležtes.

Patikrinkite, ar kirpimo įrankiai gali laisvai judėti.

Norėdami išvengti sužalojimų ir žalos, niekada neįmerkite įrankio, išimamo akumulatoriaus arba įkroviklio į skystį ir neleiskite skysčiui prasiskverbti į juos.

Įrenginio vėdinimo angos visada turi būti švarios.

Prietaise yra hidraulinės alyvos, kuri kelia pavojų grūntiniams vamdenims. Už jos išleidimą arba netinkamą utilizavimą gresia baida.

Įrenginiui turėtų būti atliekama techninė priežiūra per laikotarpį nuo šešių iki dvylikos mėnesių, atsižvelgiant į naudojimą.

Išsamiau apie techninės priežiūros intervalus galite sužinoti naudodami ONE-KEY programėlę.

Techninės priežiūros ir remonto darbus gali atlikti tik įgaliotos specialios dirbtuvės.

Naudokite tik „Milwaukee“ priedus ir „Milwaukee“ atsargines dalis. Dalis, kurių keitimas neaprašytas, leidžiama keisti tik „Milwaukee“ klientų aptarnavimo skyriams (žr. garantiją/klientų aptarnavimo skyrių adresus brošiūroje).

Jei reikia, nurodant įrenginio tipą bei specifikacijų lentelėje esantį numerį, iš klientų aptarnavimo skyriaus arba tiesiai iš Techtronic Industries GmbH, Max-Eyth-Straße 10, 71364 Winnenden, Germany, galima užsisakyti prietaiso surinkimo brėžinius.

ONE-KEY™

Kad daugiau sužinotumėte apie šio įrankio ONE-KEY funkcionalumą, perskaitykite pridedamą greito pasirengimo darbu instrukciją arba aplankykite mūsų internete, adresu <http://www.milwaukeeool.com/one-key>.

Jūs galite iš „App Store“ arba „Google Play“ į savo išmanųjį telefoną atsisiųsti ONE-KEY programėlę.

Patrys elektrosstatinė iškrovą, „Bluetooth“ ryšys bus atjungtas, o programėlės sąsaja – uždaryta. Programėlė neveiks 45 sekundes. Po 45 sekundžių reikės iš naujo nustatyti programėlę.“ Mes laikome, kad rezultatas bus minimalaus priimtino veikimo lygio ribose, pagal EN 301489-1/ EN 301489-17. Naudojimo patarimų klientui bus pateikiama naudotojo vadove.

AKUMULIATORIAI

Aukštesnė nei 50°C temperatūra mažina keičiamų akumuliatorių galią. Venkite ilgesnio saulės ar šilumos šaltinių poveikio.

Įkroviklio ir keičiamo akumulatoriaus jungiamieji kontaktai visada turi būti švarūs.

Kad prietaisas kuo ilgiau veiktų, pasinaudoję juo, iki galo įkraukite akumuliatorių. Ilgesnį laiką nenaudotus keičiamus akumuliatorių prieš naudojimą įkraukite.

Siekiant užtikrinti kuo ilgesnį baterijos tarnavimo laiką, reikėtų ją po atlikto įkrovimo iškart išimti iš įkroviklio.

Bateriją laikant ilgiau nei 30 dienų, būtina atkreipti dėmesį į šias nuorodas, bateriją laikyti sausoje aplinkoje, esant apie 27 °C temperatūrai. Baterijos įkrovimo lygis turi būti nuo 30% iki 50%. Baterija pakartotinai turi būti įkraunama kas 6 mėnesius.

Sunaudotų keičiamų akumuliatorių nedeginkite ir nemeskite į buitines atliekas. „Milwaukee“ siūlo tausojantį aplinką sudėvėtų keičiamų akumuliatorių tvarkymą, apie tai prekybos atstovė.

Keičiamų akumuliatorių nelaikykite kartu su metaliniais daiktais (trumpoju jungimo pavojus).



LIČIO JONŲ AKUMULIATORIŲ PERVEŽIMAS

Ličio jonų akumuliatoriams taikomos įstatyminės nuostatos dėl pavojingų krovinių pervežimų.

Šiuos akumuliatorius pervežti būtina laikantis vietinių, nacionalinių ir tarptautinių direktyvų ir nuostatų.

Naudotojai šiuos akumuliatorius gali naudoti savo transporte be jokių kitų sąlygų.

Už komercinį ličio jonų akumuliatorių pervežimą atsako ekspedicijos įmonė pagal nuostatas dėl pavojingų krovinių pervežimo. Pasiruošimo išsiųsti ir pervežimo darbus gali atlikti tik atitinkamai išmokyti asmenys. Visas procesas privalo būti prižiūrimas.

Pervežant akumuliatorius būtina laikytis šių punktų:

Siekiant išvengti trumpųjų jungimų, įsitikinkite, kad kontaktai yra apsaugoti ir izoliuoti. Atkreipkite dėmesį, kad akumuliatorius pakuošes viduje neslidinėtų. Draudžiama pervežti pažeistus arba tekančius akumuliatorius. Dėl detalesnių nurodymų kreipkitės į savo ekspedicijos įmonę.

CE ATITIKTIES PAREIŠKIMAS

Prisiimdami visą atsakomybę pareiškiame, kad gaminyse, aprašytas „Techniniuose duomenyse“, atitinka taikomus reikalavimus, išdėstytus direktyvoje

2011/65/ES RoHS, 2006/42/EB, 2014/53/ES ir buvo taikyti šie darnieji standartai

EN 62841-1:2015

EN 62479:2010

EN 55014-1:2017+A11:2020

EN 55014-2:2015

EN 301 489-1 V2.2.3

EN 301 489-17 V3.1.1

EN 300 328 V2.2.2

EN IEC 63000:2018



Winnenden, 2021-04-07

Alexander Krug / Managing Director
Įgaliojtas parengti techninius dokumentus.
Techtronic Industries GmbH
Max-Eyth-Strasse 10, 71364 Winnenden, Germany

SIMBOLIAI



Prieš pradėdami dirbti su prietaisu, atidžiai perskaitykite jo naudojimo instrukciją.



DĖMESIO!
skrendančių dalių



Dirbdami su įrenginiu visada nešiokite apsauginius akinius.



Įrenginyje yra mygtuko / tabletės tipo ličio maitinimo elementas.



Elektros smūgio pavojus



DĖMESIO! ĮSPĖJIMAS! PAVOJUS!



Prieš atlikdami bet kokius darbus įrenginyje, išimkite keičiamą akumuliatorių.



Rankas laikykite atokiau nuo kirpimo įrankio ir kitų judančių dalių. Pirštai gali patekti į kirpimo mechanizmą ir būti nukirpti arba sužaloti.



Priedas – neįeina į tiekimo komplektaciją, rekomenduojamas papildymas iš priedų asortimento.



Elektros prietaisų, baterijų/akumuliatorių šalinti kartu su buitinėmis atliekomis negalima. Elektros prietaisus ir akumuliatorius reikia surinkti atskirai ir atiduoti perdirbimo įmonei, kad būtų pašalinti aplinkai saugiu būdu. Vietos valdžios institucijose arba specializuotose prekybos vietose pasidomėkite apie perdirbimo ir surinkimo centrus.

V

Įtampa



Nuolatinė srovė



Europos atitikties ženklas



Britanijos atitikties ženklas



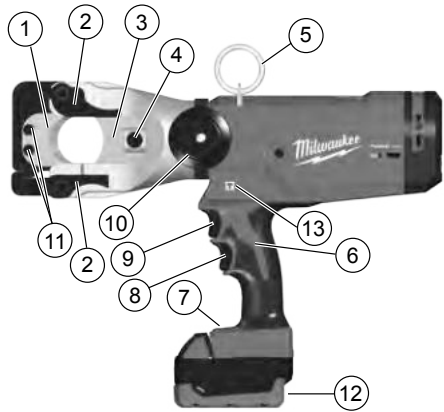
Ukrainos atitikties ženklas



Eurazijos atitikties ženklas



TEHNILISED ANDMED	M18 HCC45
Kaabliõikur	
Tootmisnumber	4772 37 01... ... 000001-999999
Sagedusriba	2402-2480 MHz
Saatevõimsus	1,8 dBm
Vahetatava aku pingeline	18 V
surujõud	77,8 kN
Lõiketsoon Sõltub kaabli tüübist	max Ø 44 mm
ACSR: Alumiinium-/Terastross Vask / Alumiinium	
Kaal vastavalt EPTA-protseduurile 01/2014 (Li-Ion 2,0 Ah...9,0Ah)	6 kg...6,6 kg
Soovituslik keskkonna temperatuur töötamiseks	-18°C ... +50°C
Soovituslik akupakid	M18B...
Soovituslik laadija	M12-18...
Müra andmed	
Mööteväärtused on kindlaks tehtud vastavalt normile EN 62841. Seadme tüüpiline hinnanguline (müratase):	
Helirõhutase (Määramatus K=3dB(A))	76,9 dB(A)
Helivõimsuse tase (Määramatus K=3dB(A))	87,9 dB(A)
Kandke kaitseks kõrvaklappe!	
Vibratsiooni andmed	
Vibratsiooni koguväärtus (kolme suuna vektorsummamöödetud EN 62841 järgi.	
Vibratsiooni emissiooni väärtus _h	1,2 m/s ²
Määramatus K=	1,5 m/s ²



Seadme kirjeldus

- | | |
|---|----------------------|
| ① Eesmine lõiketera | ⑦ LED-lamp |
| ② Haaratsi vabastamise
hoovad | ⑧ Vabastusnupp |
| ③ Tagumine lõiketera | ⑨ Päästik |
| ④ Lõiketera fikseerimistihvt | ⑩ Lisakäepide |
| ⑤ Riputi | ⑪ 5 mm pesapeakruvid |
| ⑥ Käepide
Isoleeritud pideme
piirkond | ⑫ Aku |
| | ⑬ ÜHE VÖTME näidik |

TÄHELEPANU!

Antud juhendis toodud võnketase on mõõdetud EN 62841 standardile vastava mõotesüsteemiga ning seda võib kasutada erinevate elektriseadmete omavahelises võrdlemises. Antud näitaja sobib ka esmaseks võnkekoormuse hindamiseks.

Antud võnketase kehtib elektriseadme kasutamisel sihtotstarbelselt. Kui elektriseadet kasutatakse muudel otstarvetel, muude tööriistadega või seda ei hooldata piisavalt võib võnketase siintoodust erineda. Eeltoodu võib võnketaset märkimisväärselt tõsta terves töökeskkonnas.

Võnketaseme täpseks hindamiseks tuleks arvestada ka aega, mil seade on välja lülitatud või on küll sisse lülitatud, kuid ei ole otseselt kasutuses. See võib märgatavalt vähendada kogu töökeskkonna võnketaset.

Rakendage spetsiaalseid ettevaatusabinõusid töötajate suhtes, kes puutuvad töö käigus palju kokku vibratsiooniga. Nendeks abinõudeks võivad olla, näiteks: elektri- ja tööseadmete korraline hooldus, käte soojendamine, töövoo parem organiseerimine.

⚠ TÄHELEPANU Lugege kõik seadmega kaasas olevad ohutusjuhised, juhendid, joonised ja andmed läbi.

Ohutusnõuete ja juhiste eiramise tagajärjeks võib olla elektrilööki, tulekahju ja/või rasked vigastused.

⚠ Hoidke kõik ohutusnõuded ja juhised edasiseks kasutamiseks hoolikalt alles.

⚠ KAABILÕIKURI OHUTUSJUHISED

Plahvatuse, elektrilöögi ja materiaalse kahju ohu vähendamiseks ärge kunagi lõigake pinge all olevaid elektrijuhtmeid. Tööriist EL OLE isoleeritud.

Hoidke käed ja lahtine riietus lõikeinstrumentidest ja teistest liikuvatest osadest eemal. Raskete vigastuste oht, sh jäsemete amputeerimise oht.

Kaitseriietusena soovitatatakse kasutada tolmu- ja kaitsekindaid, kinniseid ja libisemisvastase tallaga jalanõusid, kiivrit ja kuulmisteede kaitset.

Kasutada kaitsevarustust. Kaabilõikuri kasutamise ajal tuleb alati kasutada kaitseprille.

Jälgige, et kaabilõikur ei käivituks juhuslikult. Enne eemaldatava aku ühendamist jälgige, et päästik oleks lülitilukuga kindlustatud.

Ärge hoidke kaabilõikurit kunagi lõikehaaratsitest.

Enne kasutamist kontrollige alati, ega lõikehaaratsitel pole mõrasid või muid kulumismärke.

Kasutage kaabilõikurit, eemaldatavat akut ja laadijat ainult siis, kui need on laitmatu tehnilises seisukorras.

Laske kahjustused kohe volitatud oskustöökojas remontida.

Enne kõiki töid masina kallal võtke vahetatav aku välja.

Kaabilõikurit võib kasutada ainult siis, kui lõiketööriist on ühendatud.

Enne lõikamist eemaldage seadistusvahendeid ja võtmed.

Vigastuste ja kahjustuste vältimiseks ärge asetage tööriista, eemaldatavat akut ega laadijat vette ega laske vedelikel neisse tungida. Hoidke kaablilõikurit mõlema käega.

Laadige süsteemi M18 vahetatavaid akusid ainult süsteemi M18 laadijatega. Ärge laadige nendega teiste süsteemide akusid.

Ärge avage vahetatavaid akusid ega laadijaid ning ladustage neid ainult kuivades ruumides. Kaitske niiskuse eest.

Lühisest põhjustatud tuleohtu, vigastuste või toote kahjustuste vältimiseks ärge kastke tööriista, vahetusakut ega laadimisasetet vedelikku ning jälgige, et vedelikke ei tungiks seadmetesse ega akusse. Korrodeeruvad või elektrit juhtivad vedelikud, nagu soolvesi, teatud kemikaalid ja pleegitusained või pleegitusained sisaldavad tooted, võivad põhjustada lühist.

TÄHELEPANU



See seade sisaldab nõopatareid (liitumpatarei). Uus või kasutatud patarei võib põhjustada raskeid sisemisi põletusi ja surma vaid 2 tunniga pärast allaneelamist või organismi sattumist. Kinnitage alati akupesa kate. Kui see ei sulgu turvaliselt, seisake seade, eemaldage patarei ja hoidke seda lastele kättesaamatult. Kui kahtlustate, et keegi on patarei alla neelanud või see on muul viisil organismi sisenenud, pöörduge kohe arsti poole.

JÄÄKOHUD

Enne lõikamise alustamist tuleb juurdepääs kooskõlas kohalike eeskirjadega piirata.

Lõigake kaableid vaid siis, kui need on toitevõrgust lahutatud!

Kaabel ja tross ei tohi jääda mehaaniliste jõudude mõju alla.

Selle juhise eiramine võib põhjustada elektrilöögi, plahvatuse ja/või elektrikaare tõttu raskeid vigastusi, surma, tulekahju ja muud materiaalselt kahju.

Kandke kaitseprille.

KASUTAMINE VASTAVALT OTSTARBELE

Kaablilõikur on mõeldud voolulupinge alt vabade, vasest või alumiiniumist, terasalumiiniumist, terasest kaablite lõikamiseks, sõltuvalt kaabli tüübist.

Selle kaablilõikuriga tohivad kaableid ja trosse lõigata vaid elektrotehnika alaste teadmistega spetsialistid.

Selle kaablilõikuri kasutajat tuleb instrueerida enne lõikuri esmakordset kasutamist ja seejärel vähemalt kord aastas ohtudest, mis on seotud selle kaablilõikuri kasutamisega, ning olulistest ohutusmeetmetest.

Käitusettevõtte peab:

- tagama kasutusjuhendi kättesaadavuse kasutajale ning
- kindlustama, et kasutaja loeb selle läbi ja saab sellest aru.



TÄHELEPANU Lugege kõik seadmega kaasas olevad ohutusjuhised, juhendid, joonised ja andmed läbi. Ohutusnõuete ja juhiste eiramise tagajärjeks võib olla elektrilööök, tulekahju ja/või raskest vigastused. **Hoidke kõik ohutusnõuded ja juhised edasiseks kasutamiseks hoolikalt alles.**

KASUTAGE

Tööpiirkonna ettevalmistamine

Enne tööga alustamist peab kaabli ja trossid voolulupinge alt vabastama ja tagama selle oleku kogu tööde kestvuse ajaks.

Kui ei suudeta täiesti kindlalt tagada, et kaabel või isoleeritud juhe on lahutatud, ei tohi tööd teha.

Kindlasti peab järgima kohalikke ohutusnõudeid ja regulatsioone.

Kaabel ja tross ei tohi jääda mehaaniliste jõudude mõju alla ja vajadusel peab nad kindlustama lõike ajal kontrollimatu liikuma hakkamise vastu.

Ärge jätke tööriistu vihma kätte. Ärge kasutage tööriistu niisketes või märgades paikades.

Kaabliõikuri ja aku ettevalmistamine

Enne iga kasutamist:

- kontrollige, ega kaablilõikuril ei ole väliseid kahjustusi;
- kontrollige, ega lõiketööriista pole mõrasid või muid kulumismärke.

Kasutage üksnes laitmatus seisukorras seadet!

Enne lõikamise alustamist tuleb kontrollida aku laetust: see peab olema vähemalt 33% (vt joonistega kirjeldust).

Vajadusel tuleb akut enne töö alustamist laadida.

Lõikamise ettevalmistamine

Toestage ja kinnitage lõigatav kaabel või tross nii, et selle kontrollimatu liikuma hakkamise risk oleks viidud miinimumini.

Eriti suur oht kontrollimatu liikuma hakata on õhuliinidel ja trossidel ning see võib põhjustada vigastusi ja/või kahjustusi.

Lõikepa peab kaablile või trossile asetada 90° all ning kaabel või tross ei tohi avatud lõikepakkide vahel pinges all olla. See hoiab ära soovimatu nihkejõu mõju.



TÄHELEPANU: Plahvatuse, elektrilöögi ja materiaalse kahju ohu vähendamiseks ärge kunagi lõigake pinges all olevaid elektrijuhtmeid.

Tööriist EI OLE isoleeritud. Kokkupuude pingestatud ahelaga võib kaasa tuua raske vigastuse või surma. Enne lõike tegemist lülitage toide välja. Ärge kunagi lõigake gaasi- või veetorusid. Hoidke käed kõigist lõikeservadest ja liikuvatest osadest eemal. Vastasel juhul võite saada lõikevigastusi või võib tekkida amputatsioon.

Eemaldage akupakk alati enne tarvikute vahetamist või eemaldamist. Kasutage üksnes selle tööriista jaoks soovitatud tarvikuid. Muud tarvikud võivad olla ohtlikud.

Vigastusohu vältimiseks kandke kaitseprille või küljekaitsetega prille.



TÄHELEPANU: Vigastusohu vähendamiseks lõigake üksnes materjale, mida on lubatud lõiketeradega lõigata. (vt „Tehniline kirjeldus“) Ärge püüdke lõigata muid materjale.



Lõikamine

• Enne lõikamist veenduge, et lõiketerad on korralikult paigaldatud.

1. Asetage kaabel kaablilõikuri teradele täisnurga all. Ärge üritage lõigata nurga all, sest see kahjustab töödeldavat detaili ja lõiketeri.

2. Võtke käepideme(te)st tugevalt kinni.

Tõmmake ja hoidke päästikut kogu kasutamise ajal.

Päästiku tõmbamisel süttib LED-lamp.

Kui lõige on tehtud, või kui tööriist välja lülitub, laske päästik uuesti lahti ja vajutage lõikepakki avamiseks lähtestamislülitit.

Märkus: Töödeldav detail võib lõikamise ajal veidi liikuda.

Tegutsemine rikete korral

- Kaabel võib olla lõigatud ja voolu juhtida. Teavitage sellest alati ohutuse eest vastutavat isikut, katkestage lõikamine, võtke tarvitusele sobivad ohutusmeetmed.
- Jälgige enne seadme juurde minemist ja selle puudutamist alati, et seade oleks toiteallikast lahutatud ja jääks toiteallikast lahutatuks
- vajutage ja hoidke lähtestusnuppu all, kuni lõikur tuleb täielikult lahti
- kontrollige aku laetust
- kontrollige, kas materjal ja selle paksus vastab tehnilistele andmetele
- Kui kahtlustate, et olete lõiganud pingestatud kaablit, laske kaablilõikurit kontrollida volitatud eritöökojas

Kinni kiilunud lõiketerad

Mustus ja jäätmed võivad põhjustada lõiketerade kinnikiilumist pärast lõiget

- Vajutage ja hoidke vabastusnuppu, et tööriist vabaneks.
- Eemaldage akupakk.
- Lõikepakki avamise kohta vt piltidel olevat kirjeldust.
- Puhastage lõiketeradelt enne järgmise lõike alustamist mustus ja jäätmed.

Lõikeotsad

- Ärge üritage lõigata nurga all, sest see kahjustab töödeldavat detaili ja lõiketeri.
- Lõiketera eluea pikendamiseks lõigake puhast materjali. Enne lõikamist pühkige mustus ja jäätmed materjalilt ja lõiketeradelt ära.

HOOLDUS

Enne kõiki töid masina kallal võtke vahetatava aku välja.

Ärge kunagi avage kaablilõikurit, eemaldatavat akut ega laadijat. Kontrollige, ega kaablilõikuril ei ole probleeme, näiteks müra või kinni kiilunud liikuvaid osi, mis võivad tööriista ohustada.

Kontrollige, ega lõiketööriistadel pole mõrasid või muid kulumismärke.

Pärast töö lõppu puhastage ja määrige lõiketööriista.

Kontrollige, kas lõikeservad on teravad, ning vahetage kulunud lõikehaaratsid.

Kui lõiketerad muutuvad sakiliseks või kahjustuvad, tuleb need välja vahetada. Vahetage lõiketerad alati välja koos. Kasutage ainult MILWAUKEE lõiketerasid.

Kontrollige, kas lõiketööriista saavad vabalt liikuda.

Vigastuste ja kahjustuste vältimiseks ärge asetage tööriista, eemaldatavat akut ega laadijat vette ega laske vedelikel neisse tungida.

Hoidke masina õhutuspilud alati puhtad.

Seade sisaldab hüdraulikaõli, mis kujutab endast ohtu põhjaveele. Kontrollimatu väljalaskmine või asjatundmatu utiliseerimine on karistatav.

Seadet tuleb sõltuvalt kasutamisest hooldada iga 6 kuni 12 kuu järel.

Lisateavet hooldusintervallide kohta leiata ONE-KEY rakenduse kaudu.

Hooldus- ja remonditöid soovivad teostada üksnes volitatud oskustöökodajad.

Kasutage ainult Milwaukee tarvikuid ja Milwaukee tagavaraosi. Detailid, mille väljavahetamise polt kirjeldatud, laske välja vahetada Milwaukee klientiteeninduspunkti (vaadake brošüüri garantii / klientiteeninduste aadressid).

Vajaduse korral võite tellida seadme läbilõikejoonise, näidates ära masina tüübi ja andmesilidit oleva numbriga. Selleks pöörduge klientiteeninduspunkti või otse: Techtronic Industries GmbH, Max-Eyth-Straße 10, 71364 Winnenden, Germany.

ONE-KEY™

Lisateabe saamiseks selle tööriista ONE-KEY funktsionaalsuse kohta lugege lisatud lühikasutusjuhend läbi või külastage internetis meie kodulehte <http://www.milwaukeeetool.com/one-key>

ONE-KEY rakenduse saate App Store või Google Play kaudu oma nutitelefonile alla laadida.

Elektrostaatilise laengu korral lahutatakse Bluetoothi-ühendus ja rakenduse liides lülitub välja. Rakendus ei ole kasutatav 45 sekundit. Pärast 45 sekundi möödumist tuleb rakendus lähtestada. Tulemus jäi standardites EN 301489-1/ EN 301489-17 lubatud minimaalse võimsustaseme piiresse. Klient saab kasutusjuhiseid lugeda kasutusjuhendist.

AKUD

Temperatuur üle 50 °C vähendab vahetatava aku töövõimet. Vältige pikemat soojenemist päikese või kütteseadme mõjul.

Hoidke laadija ja vahetatava aku ühenduskontaktid puhtad.

Optimaalse patarei eluea tagamiseks, pärast kasutamist lae patareiplokk täielikult. Pikemat aega mittekasutatud akusid laadige veel enne kasutamist.

Akud tuleks võimalikult pika kasutusea saavutamiseks pärast täislaadimist laadijast välja võtta.

Aku ladustamisel üle 30 päeva: Ladustage akut kuivas kohas u 27°C juures., Ladustage akut u 30-50% laetusesisendis., Laadige aku iga 6 kuu tagant täis.

Ärge visake tarvitatud vahetatavaid akusid tulle ega olmeprügisse. Milwaukee pakub vanade akude keskkonnahoidlikku käitlust; palun küsige oma erialaselt tarnijalt.

Ärge säilitage vahetatavaid akusid koos metallsemetega (lühiseoht).



LIITIUMIOONAKUDE TRANSPORTIMINE

Liitiumioonakud on allutatud ohtlike ainete transportimisega seonduvatele õigusaktidele.

Nende akude transportimine peab toimuma kohalikest, siseriiklikest ja rahvusvahelistest eeskirjadest ning määrustest kinni pidades.

Tarbijad tohivad neid akusid edasiste piiranguteta tänaval transportida.

Liitiumioonakude komertstransport ekspedeerimisettevõtete kaudu on allutatud ohtlike ainete transportimisega seonduvatele õigusaktidele. Tarne-ettevalmistusi ja transporti tohivad teostada eranditult vastavalt koolitatud isikud. Kogu protsessi tuleb asjatundlikult jälgida.

Akude transportimisel tuleb järgida järgmisi punkte:

Tehke kindlaks, et kontaktid on lühiste vältimiseks kaitsstud ja isoleeritud. Pöörake tähelepanu sellele, et akupakk ei saaks pakendis nihkuda. Kahjustatud või välja voolanud akusid ei tohi kasutada. Pöörduge edasiste juhiste saamiseks ekspedeerimisettevõtte poole.

EÜ VASTAVUSAVALDUS

Kinnitame oma ainuvastutusel, et „Tehniliste andmete“ all kirjeldatud toode vastab direktiivide kõigile asjakohastele sätetele 2011/65/EU RoHS, 2006/42/EÜ, 2014/53/ EU ning täidetud on järgmiste ühtlustatud standardite nõuded.

EN 62841-1:2015

EN 62479:2010

EN 55014-1:2017+A11:2020

EN 55014-2:2015

EN 301 489-1 V2.2.3

EN 301 489-17 V3.1.1

EN 300 328 V2.2.2

EN IEC 63000:2018



Winnenden, 2021-04-07

Alexander Krug / Managing Director
On volitatud koostama tehnilist dokumentatsiooni.
Techtronic Industries GmbH
Max-Eyth-Straße 10, 71364 Winnenden, Germany

SÜMBOLID



Palun lugege enne käikulaskmist kasutamisujuhend hoolikalt läbi.



TÄHELEPANU!
tööeldava eseme küljest tükide eemalepaikumine



Masinaga töötades kandke alati kaitseprille.



See seade sisaldab nööppatareid (liitiumpatareid).



Elektrilöögi oht



ETTEVAATUST! TÄHELEPANU! OHUD!



Enne kõiki töid masina kallal võtke vahetatav aku välja.



Hoidke käed löikeinstrumendist ja teistest liikuvatest osadest eemal. Sõrmed võivad sattuda löikemehhanismi sisse ning maha lõigata või vigastusi saada.



Tarvikud - ei kuulu tarne komplekti, soovitatav täiendus on saadaval tarvikute programmis.



Elektriseadmeid, patareisid/akusid ei tohi utiliseerida koos majapidamisprügiga. Elektriseadmed ja akud tuleb eraldi kokku koguda ning kõrvaldada keskkonnasõbralikul moel töötlemiskeskusesse. Küsige infot jäätmekäitlusjaamade ja kogumispunktide kohta oma kohalike ametnike või edasimüüja käest.

V Pinge

Alalisvool



Euroopa vastavusmärk



Ühendkuningriigi vastavusmärk



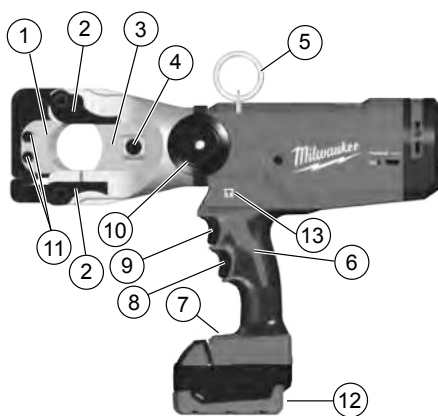
Ukraina vastavusmärk



Euraasia vastavusmärk



ТЕХНИЧЕСКИЕ ДАННЫЕ	
Кабельный нож	
Серийный номер изделия	M18 HCC45 4772 37 01... ... 000001-999999
диапазон частот	2402-2480 MHz
мощность радиомлучения	1,8 dBm
Вольтаж аккумулятора	18 V
Номинальное усилие	77,8 kN
Диапазон резки Зависит от типа кабеля	макс. Ø 44 mm
ACSR: Алюминий-/Стальные тросы Медь / Алюминий	
Вес согласно процедуре EPTA 01/2014 (Li-Ion 2,0 Ah...9,0Ah)	6 kg...6,6 kg
Температура окружающей среды, рекомендованная для эксплуатации	-18°C ... +50°C
Рекомендованные аккумуляторные блоки	M18B...
Рекомендованные зарядные устройства	M12-18...
Информация по шумам	
Значения замерялись в соответствии со стандартом EN 62841. Уровень шума прибора, определенный по показателю A, обычно составляет:	
Уровень звукового давления (Небезопасность K=3dB(A))	76,9 dB(A)
Уровень звуковой мощности (Небезопасность K=3dB(A))	87,9 dB(A)
Пользуйтесь приспособлениями для защиты слуха.	
Информация по вибрации	
Общие значения вибрации (векторная сумма трех направлений) определены в соответствии с EN 62841.	
Значение вибрационной эмиссии _n	1,2 m/s ²
Небезопасность K=	1,5 m/s ²



Описание устройства

- | | |
|--|--------------------------------------|
| ① Переднее лезвие | ⑦ Светодиод |
| ② Рычаги разжимания тисков | ⑧ Курок разблокировки |
| ③ Заднее лезвие | ⑨ Пусковой курок |
| ④ Фиксирующий штифт лезвия | ⑩ Дополнительная рукоятка |
| ⑤ Подвесной кронштейн | ⑪ 5 mm винты с шестигранной головкой |
| ⑥ Рукоятка
Изолированная
поверхность ручки | ⑫ Аккумулятор |
| | ⑬ Индикатор ONE KEY |

⚠ ВНИМАНИЕ Ознакомьтесь с правилами техники безопасности, техническими регламентами, изображениями и данными, прилагаемыми к устройству. Упущения, допущенные при не соблюдении указаний и инструкций по технике безопасности, могут стать причиной электрического поражения, пожара и тяжелых травм. **Сохраняйте эти инструкции и указания для будущего использования.**

⚠ ТЕХНИКА БЕЗОПАСНОСТИ ПРИ РАБОТЕ С КАБЕЛЬНЫМ НОЖОМ

Для снижения риска взрыва, поражения электрическим током и порчи имущества и оборудования ни в коем случае не разрезайте подключенные к сети электрические кабели. Инструмент НЕ изолирован.

Держите руки и свободные элементы одежды вдали от режущих инструментов и других движущихся частей. Существует опасность тяжелого ранения, включая отрывание конечностей.

Рекомендуется спецодежда: пылезащитная маска, защитные перчатки, прочная и нескользящая обувь, каска и наушники. Пользоваться средствами защиты. При работе с кабелерезом всегда носите защитные очки.

Принимайте защитные меры во избежание случайного включения кабелереза. Перед подключением съемного аккумулятора убедитесь в том, что пусковой курок зафиксирован стрелочным замком.

Ни в коем случае не держите кабелерез за резак.

ВНИМАНИЕ!

Указанный в настоящем руководстве уровень вибрации измерен в соответствии с технологией измерения, установленной стандартом EN 62841 и может использоваться для сравнения электроинструментов друг с другом. Он также подходит для предварительной оценки вибрационной нагрузки.

Указанный уровень вибрации представляет основные виды использования электроинструмента. Но если электроинструмент используется для других целей, используемый инструмент отклоняется от указанного или техническое обслуживание было недостаточным, то уровень вибрации может отклоняться от указанного. В этом случае вибрационная нагрузка в течение всего периода работы значительно увеличивается.

Для точной оценки вибрационной нагрузки необходимо также учитывать время, в течение которого прибор отключен или включен, но фактически не используется. В этом случае вибрационная нагрузка в течение всего периода работы может существенно уменьшиться.

Установите дополнительные меры безопасности для защиты пользователя от воздействия вибрации, например: техническое обслуживание электроинструмента и используемого инструмента, поддержание рук в теплом состоянии, организация рабочих процессов.

Перед использованием всегда проверяйте резак на наличие трещин или других признаков износа.

Используйте кабелерез, съемный аккумулятор и зарядное устройство только в том случае, если они находятся в безупречном техническом состоянии.

Повреждения должны незамедлительно устраняться в сертифицированном сервисном центре.

Выньте аккумулятор из машины перед проведением с ней каких-либо манипуляций.

Кабелерез может использоваться только со вставленным режущим инструментом.

Перед выполнением разреза извлекайте любые установочные инструменты и ключи.

Во избежание ранения и порчи имущества ни в коем случае не опускайте инструмент, съемный аккумулятор и зарядное устройство в жидкость и не допускайте проникновения жидкости внутрь этих устройств.

Держите кабелерез обеими руками.

Для зарядки аккумуляторов модели M18 используйте только зарядным устройством M18. Не заряжайте аккумуляторы других систем.

Никогда не вскрывайте аккумуляторы или зарядные устройства и храните их только в сухих помещениях. Следите, чтобы они всегда были сухими.

Для предотвращения опасности пожара в результате короткого замыкания, травм и повреждения изделия не опускайте инструмент, сменный аккумулятор или зарядное устройство в жидкости и не допускайте попадания жидкостей внутрь устройств или аккумуляторов. Коррозионные и проводящие жидкости, такие как соленый раствор, определенные химикаты, отбеливающие средства или содержащие их продукты, могут привести к короткому замыканию.

ВНИМАНИЕ



Устройство использует кнопочный/плоский круглый литиевый аккумулятор. Новый или использованный аккумулятор может вызвать сильные внутренние ожоги и привести к смерти в течение 2 часов в случае проглатывания или попадания в организм. Всегда закрепляйте крышку аккумуляторного отсека. Если она не закрывается надежно, остановите устройство, извлеките аккумулятор и храните его в недоступном для детей месте. Если вы считаете, что человек проглотил аккумулятор или что аккумулятор иным образом попал в организм, обратитесь за экстренной медицинской помощью.

ОСТАТОЧНЫЕ ОПАСНОСТИ

Перед началом процесса разрезания необходимо заблокировать доступ к месту проведения работ согласно местным нормам.

Допускается только разрезание кабелей, которые были отключены от источника питания!

Кабели и тросы не должны подвергаться воздействию механических сил.

Несоблюдение этого указания может привести к тяжелому ранению, смерти, пожару или другому повреждению имущества в результате удара электрическим током, взрыва и/или возникновения электрической дуги.

Носить защитные очки.

ИСПОЛЬЗОВАНИЕ

Кабельный нож предназначен для разрезания обесточенных изолированных кабелей из меди, цельного алюминия или алюминия со стальным сердечником, а также стальных тросов (в зависимости от типа кабеля).

Разрезание или разделение кабелей и тросов с помощью этого кабельного ножа может производиться только лицами, знакомыми с правилами обращения с электроинструментами.

Оператор кабелереза должен проходить инструктаж касательно особых рисков, связанных с использованием этого инструмента, и касательно необходимых мер предосторожности. Инструктаж проводится перед первым использованием инструмента и в дальнейшем как минимум раз в год.

Эксплуатирующая компания обязана:

- предоставлять руководство по эксплуатации в распоряжение оператора;
- и убедиться в том, что оператор прочел и принял к сведению информацию, предоставленную в руководстве.



ВНИМАНИЕ Ознакомьтесь с правилами техники безопасности, техническими регламентами, изобретениями и данными, прилагаемыми к устройству. Упущения, допущенные при не соблюдении указаний и инструкций по технике безопасности, могут стать причиной электрического поражения, пожара и тяжелых травм.

Сохраняйте эти инструкции и указания для будущего использования.

ИСПОЛЬЗОВАНИЕ

Обустройство рабочей зоны

Перед началом работ необходимо убедиться, что провода или тросы обесточены, и поддерживать их в обесточенном состоянии при выполнении работ.

Если отсутствует возможность удостовериться в отключении кабеля или изолированной линии от питания, проведение работ запрещено.

Обязательно соблюдайте местные правила безопасности и нормы.

Кабели и тросы не должны подвергаться воздействию механических сил и при необходимости должны быть зафиксированы во избежание неконтролируемого перемещения после разрезания.

Не подвергайте инструменты воздействию дождя. Не используйте инструменты во влажной или сырой среде.

Подготовка кабелереза и аккумулятора

Перед каждым использованием выполняйте указанные ниже действия.

- Проверьте кабелерез на наличие внешних повреждений
- Проверьте режущий инструмент на наличие трещин или других признаков износа

Используйте только инструменты, находящиеся в безупречном состоянии!

Перед началом процесса разрезания необходимо проверить заряд аккумулятора: он должен составлять не менее 33 % (см. иллюстрированное описание).

Перед началом работы может потребоваться зарядка аккумулятора.



Подготовка к процессу разрезания

Расположите кабели или тросы на опоре или зафиксируйте их, чтобы снизить риск неконтролируемого перемещения.

В частности, свободно висащие провода и тросы подвержены неконтролируемому перемещению, что может стать причиной ранений и/или порчи имущества.

Режущая головка должна располагаться под углом 90° к кабелю или тросу, чтобы они пролегли в открытом зеве режущего инструмента без натяжения, что позволит избежать нежелательных усилий разрезания.

⚠ ВНИМАНИЕ: Для снижения риска взрыва, поражения электрическим током и порчи имущества и оборудования ни в коем случае не разрезайте подключенные к сети электрические кабели.

Инструмент НЕ изолирован. Контакт с цепью под напряжением может привести к тяжелому ранению или смерти. Перед выполнением разреза отключите питание. Ни в коем случае не разрезайте газо- или водопроводы. Держите руки на безопасном расстоянии от режущих кромок и движущихся деталей. Возможны глубокие порезы или отрывание конечностей.

Перед заменой или удалением вспомогательных принадлежностей всегда извлекайте аккумулятор. Используйте вспомогательные принадлежности, специально рекомендованные для этого инструмента. Другие принадлежности могут представлять опасность.

Для снижения риска ранения носите защитные очки или очки с боковыми щитками.

⚠ ВНИМАНИЕ: Во избежание ранения разрезайте только рекомендуемые для лезвий материалы. (см. раздел «Спецификация») Не пытайтесь разрезать другие материалы.

Разрезание

• Перед разрезанием убедитесь в том, что лезвия установлены правильно.

1. Направляйте кабель к режущей поверхности кабельного ножа под прямым углом. Не пытайтесь выполнять угловые разрезы, поскольку это приведет к повреждению заготовки и лезвий.

2. Крепко возьмитесь за рукоятку.

Нажмите и удерживайте курок во время работы.

При нажатии пускового курка загорается светодиодный индикатор.

После разрезания или выключения инструмента отпустите пусковую кнопку и нажмите возвратный выключатель, чтобы открыть зев режущего инструмента.

Примечание: Во время разрезания заготовка может слегка смещаться.

Действия в случае сбоев

• Если существует вероятность того, что разрезанный кабель находится под напряжением, обязательно уведомите об этом ответственного за безопасность, останавливайте процесс разрезания и принимайте соответствующие меры безопасности

• Всегда убеждайтесь в том, что устройство является и остается обесточенным, прежде чем приближаться и прикасаться к нему

- Нажмите и удерживайте кнопку сброса, пока режущее устройство не откроется полностью
- Проверьте заряд аккумулятора
- Проверьте материал и его толщину согласно техническим данным
- Если есть подозрение касательно разрезания токоведущего кабеля, необходимо проверить кабелерез в уполномоченной специализированной мастерской

Заклинивание лезвий

Грязь и посторонние частицы могут приводить к заклиниванию лезвий после разрезания

• Нажмите и удерживайте курок разблокировки, чтобы вернуть инструмент в исходное состояние.

• Извлеките аккумулятор.

• Для того чтобы открыть зев режущего инструмента, следуйте иллюстрированному описанию

• Перед началом нового процесса разрезания удалите грязь и посторонние частицы с лезвий.

Советы по разрезанию

• Не пытайтесь выполнять угловые разрезы, поскольку это приведет к повреждению заготовки и лезвий.

• Для увеличения срока службы лезвий разрезайте чистый материал. Перед началом разрезания вытирайте грязь и посторонние частицы с материала и лезвий.

ОБСЛУЖИВАНИЕ

Выньте аккумулятор из машины перед проведением с ней каких-либо манипуляций.

Ни в коем случае не вскрывайте кабелерез, съемный аккумулятор или зарядное устройство.

Проверьте кабелерез на наличие каких-либо проблем, таких как шум или заклинивание движущихся деталей, которое может повлиять на работу инструмента.

Проверьте режущие инструменты на наличие трещин или других признаков износа.

По завершению работ очищайте и смазывайте режущие инструменты.

Проверяйте остроту режущих кромок и замените изношенные резакки.

Заменяйте лезвия, если они имеют зазубрины или повреждения. Всегда заменяйте лезвия полным комплектом. Используйте только лезвия MILWAUKEE.

Убедитесь в том, что режущие инструменты движутся свободно.

Во избежание ранения и порчи имущества ни в коем случае не опускайте инструмент, съемный аккумулятор и зарядное устройство в жидкость и не допускайте проникновения жидкости внутрь этих устройств.

Всегда держите охлаждающие отверстия чистыми.

В устройстве содержится гидравлическое масло, представляющее опасность для грунтовых вод. Неконтролируемый слив или ненадлежащая утилизация наказывается штрафом.

Техобслуживание устройства необходимо выполнять один раз в шесть–двенадцать месяцев в зависимости от использования.

Подробную информацию об интервалах обслуживания можно получить с помощью приложения ONE-KEY.



Работы по техобслуживанию и ремонту могут производиться только в сертифицированных сервисных центрах.

Пользуйтесь аксессуарами и запасными частями Milwaukee. В случае возникновения необходимости в замене, которая не была описана, обращайтесь в один из сервисных центров по обслуживанию электроинструментов Milwaukee (см. список сервисных организаций).

При необходимости может быть заказан чертеж инструмента с трехмерным изображением деталей. Пожалуйста, укажите номер и тип инструмента и закажите чертеж у Ваших местных агентов или непосредственно у Techtronic Industries GmbH, Max-Eyth-Straße 10, 71364 Winnenden, Germany.

ONE-KEY™

Для получения более подробной информации о функциях ONE-KEY данного инструмента прочтите прилагаемое краткое руководство или посетите наш сайт в Интернете по адресу <http://www.milwaukeeetool.com/one-key>

Вы можете загрузить приложение ONE-KEY на свой смартфон через App Store или Google Play.

При возникновении электростатического разряда Bluetooth-связь будет прервана, а интерфейс приложения будет закрыт. Не используйте приложение в течение следующих 45 секунд. Через 45 секунд перезагрузите приложение, чтобы восстановить работу. Мы предполагаем, что результат будет находиться в рамках минимальной приемлемой производительности согласно EN 301489-1/ EN 301489-17. Мы предоставим заказчику инструкции по эксплуатации в руководстве пользователя.

АККУМУЛЯТОР

Температура свыше 50°C снижает работоспособность аккумуляторов. Избегайте продолжительного нагрева или прямого солнечного света (риск перегрева).

Контакты зарядного устройства и аккумуляторов должны содержаться в чистоте.

Для обеспечения оптимального срока службы аккумуляторы необходимо полностью заряжать после использования прибора. Перед использованием аккумулятора, которым не пользовались некоторое время, его необходимо зарядить.

Для достижения максимально возможного срока службы аккумуляторы после зарядки следует вынимать из зарядного устройства.

При хранении аккумулятора более 30 дней: Храните аккумулятор при 27°C в сухом месте., Храните аккумулятор с зарядом примерно 30% - 50%, Каждые 6 месяцев аккумулятор следует заряжать.

Не выбрасывайте использованные аккумуляторы вместе с домашним мусором и не сжигайте их. Дистрибьюторы компании Milwaukee предлагают восстановление старых аккумуляторов, чтобы защитить окружающую среду.

Не храните аккумуляторы вместе с металлическими предметами во избежание короткого замыкания.

ТРАНСПОРТИРОВКА ЛИТИЙ-ИОННЫХ АККУМУЛЯТОРОВ

Литий-ионные аккумуляторы в соответствии с предписаниями закона транспортируются как опасные грузы.

Транспортировка этих аккумуляторов должна осуществляться с соблюдением местных, национальных и международных предписаний и положений.

Эти аккумуляторы могут перевозиться по улице потребителем без дальнейших обязательств.

При коммерческой транспортировке литий-ионных аккумуляторов экспедиторскими компаниями действующим положения, касающиеся транспортировки опасных грузов. Подготовка к отправке и транспортировка должны производиться исключительно специально обученными лицами. Весь процесс должен находиться под контролем специалиста.

При транспортировке аккумуляторов необходимо соблюдать следующие пункты:

Убедитесь, что контакты защищены и изолированы во избежание короткого замыкания. Следите за тем, чтобы аккумуляторный блок не соскользнул внутри упаковки. Транспортировка поврежденных или протекающих аккумуляторов запрещена. За дополнительными указаниями обратитесь к своему экспедитору.

ДЕКЛАРАЦИЯ О СООТВЕТСТВИИ СТАНДАРТАМ ЕС

Мы несем исключительную ответственность за то, что изделие, описанное в разделе «Техническая информация» соответствует всем применимым положениям директив

2011/65/EU RoHS, 2006/42/EC, 2014/53/EU
а также следующим согласованным стандартам

EN 62841-1:2015
EN 62479:2010
EN 55014-1:2017+A11:2020
EN 55014-2:2015
EN 301 489-1 V2.2.3
EN 301 489-17 V3.1.1
EN 300 328 V2.2.2
EN IEC 63000:2018



Winnenden, 2021-04-07

Alexander Krug / Managing Director
Уполномочен на составление технической документации.
Techtronic Industries GmbH
Max-Eyth-Straße 10, 71364 Winnenden, Germany



СИМВОЛЫ



Пожалуйста, внимательно прочтите инструкцию по использованию перед началом любых операций с инструментом.



ВНИМАНИЕ!
Опасность получения травм из-за разлетающихся обломков



При работе с инструментом всегда надевайте защитные очки.



Устройство использует кнопочный/плоский круглый литиевый аккумулятор.



Опасность поражения электрическим током



ВНИМАНИЕ! ПРЕДУПРЕЖДЕНИЕ! ОПАСНОСТЬ!



Выньте аккумулятор из машины перед проведением с ней каких-либо манипуляций.



Держите руки вдали от режущего инструмента и других движущихся частей. Следствием попадания пальцев внутрь режущего механизма может оказаться их отрезание или травмирование.



Принадлежности - В стандартную комплектацию не входит, поставляется в качестве дополнительной принадлежности.



Электроприборы, батареи/аккумуляторы запрещено утилизировать вместе с бытовым мусором. Электрические приборы и аккумуляторы следует собирать отдельно и сдавать в специализированную компанию для утилизации в соответствии с нормами охраны окружающей среды. Получите в местных органах власти или у вашего специализированного дилера сведения о центрах вторичной переработки и пунктах сбора.

V Напряжение

— — — Постоянный ток



Европейский знак соответствия



Британский знак соответствия



Украинский знак соответствия



Знак Евразийского Соответствия

ТЕХНИЧЕСКИ ДАННИ	M18 HCC45
Клещи резачки за кабели	
Производствен номер	4772 37 01... ... 000001-999999
Радиочестота лента	2402-2480 MHz
Радиочестотна мощност	1,8 dBm
Напрежение на акумулатора	18 V
сила на пресоване	77,8 kN
Диапазон на рязане Зависи от типа кабел	макс. Ø 44 mm
ACSR: Алюминий-/Стоманени въжета Мед / Алюминий	
Тегло съгласно процедурата EPTA 01/2014 (Li-Ion 2,0 Ah...9,0Ah)	6 kg...6,6 kg
Препоръчителна температура на околната среда при експлоатация	-18°C ... +50°C
Препоръчителни акумулаторни батерии	M18B...
Препоръчителни зарядни устройства	M12-18...
Информация за шума	
Измерените стойности са получени съобразно EN 62841. Оцененото с A ниво на шума на уреда е съответно:	
Равнище на звуковото налягане (Несигурност K=3dB(A))	76,9 dB(A)
Равнище на мощността на звука (Несигурност K=3dB(A))	87,9 dB(A)
Да се носи предпазно средство за слуха!	
Информация за вибрациите	
Общите стойности на вибрациите (векторна сума на три посоки) са определени в съответствие с EN 62841.	
Стойност на емисии на вибрациите, a_h	1,2 m/s ²
Несигурност K=	1,5 m/s ²

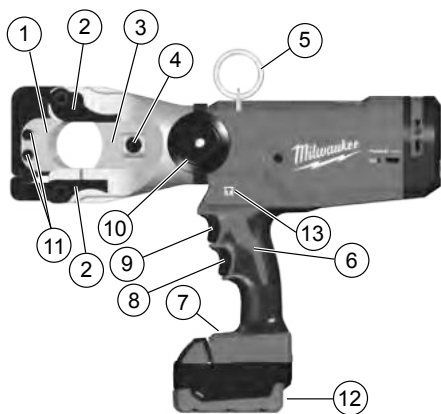
ВНИМАНИЕ!

Посоченото в тези инструкции ниво на вибрациите е измерено в съответствие със стандартизиран в EN 62841 измервателен метод и може да се използва за сравнение на електрически инструменти помежду им. Подходящ е и за временна оценка на вибрационното натоварване.

Посоченото ниво на вибрациите представя основните приложения на електрическия инструмент. Ако обаче електрическият инструмент се използва с друго предназначение, с различни сменяеми инструменти или при недостатъчна техническа поддръжка, нивото на вибрациите може да е различно. Това чувствително може да увеличи вибрационното натоварване по време на целия работен цикъл.

За точната оценка на вибрационното натоварване трябва да се вземат предвид и периодите от време, в които уредът е изключен или работи, но в действителност не се използва. Това чувствително може да намали вибрационното натоварване по време на целия работен цикъл.

Определете допълнителни мерки по техника на безопасност в защита на обслужващия работник от въздействието на вибрациите като например: техническа поддръжка на електрическия инструмент и сменяемите инструменти, поддръжане на ръцете топли, организация на работния цикъл.



Описание на устройството

- | | |
|---|-------------------------------------|
| ① Предно острие | ⑦ Светодиод |
| ② Лостове за освобождаване на челюстта | ⑧ Освобождаващ механизъм на спусъка |
| ③ Задно острие | ⑨ Спусък |
| ④ Щифт за фиксиране на острието | ⑩ Допълнителна ръкохватка |
| ⑤ Ухо | ⑪ 5 mm Шестостенни винтове |
| ⑥ Ръкохватка
Изолирана повърхност за хващане | ⑫ Акумулаторна батерия |
| | ⑬ Индикатор ONE KEY |

⚠ ВНИМАНИЕ Прочетете всички указания за безопасност, инструкции, изображенията и техническите данни, които получавате с уреда. Пропуски при спазването на указанията и на инструкциите за безопасност могат да доведат до токов удар, пожар и/или тежки наранявания. **Запазете всички указания и инструкции за безопасност за бъдещето.**

⚠ УКАЗАНИЯ ЗА БЕЗОПАСНОСТ ПРИ РАБОТА С КЛЕЩИ РЕЗАЧКИ ЗА КАБЕЛИ

За да намалите риска от експлозия, токов удар и увреждане на собственост, никога не прерязвайте електрически кабели под напрежение. Инструментът НЕ е изолиран.

Дръжте ръцете си и широки дрехи далече от режещи инструменти и други движещи се части. Съществува риск от сериозно нараняване, включително отрязване на краищата. Препоръчват се защитно облекло и прахозащитна маска, защитни ръкавици, здрави и нехлъзгащи се обувки, каска и предпазни средства за слуха.

Да се използват предпазни средства. Винаги носете предпазни очила при работа с резачката за кабели.

Не допускайте случайното стартиране на резачката за кабели. Преди да свържете към сменяема батерия, уверете се, че спусъкът е блокиран чрез предпазния ключ.

Никога не хващайте резачката за кабели за режещите челюсти. Преди употреба, винаги проверявайте режещите челюсти за пукнатини и други признаци на износване.

Използвайте резачката за кабели, сменяемата батерия и зарядното устройство само ако са в перфектно техническо състояние.



Отстранете повредите незабавно в оторизиран специализиран сервиз.

Преди започване на каквито е да е работи по машината извадете акумулатора.

Резачката за кабели може да се използва само когато е поставен резец.

Отстранете всички инструменти и ключове за настройка, преди да извършите сръзването.

За да избегнете нараняване и повреда, никога не потапяйте инструментите, сменяемата батерия или зарядното в течност и не позволявайте проникването на течност в тях.

Хващайте резачката на кабели за двете дръжки.

Акумулатори от системата M18 да се зареждат само със зарядни устройства от системата M18 laden. Да не се зареждат акумулатори от други системи.

Не отваряйте акумулатори и зарядни устройства и ги съхранявайте само в сухи помещения. Пазете ги от влага.

За да избегнете опасността от пожар, предизвикана от късо съединение, както и нараняванията и повредите на продукта, не потапяйте инструментите, сменяемата акумулаторна батерия или зарядното устройство в течности и се грижете в уредите и акумулаторните батерии да не попадат течности. Течностите, предизвикващи корозия или провеждащи електричество, като солена вода, определени химикали, избелващи вещества или продукти, съдържащи избелващи вещества, могат да предизвикат късо съединение.

ВНИМАНИЕ



Това устройство се хранва с клетъчна литиева батерия от тип кочче. Както новите, така и използваните батерии могат да причинят тежки вътрешни изгаряния и доведат до смърт за не повече от 2 часа след поглъщане или попадане в тялото. Винаги проверявайте дали капачето на батерията е добре затворено. Ако не се затваря добре, спрете устройството, извадете батерията и я дръжте далече от деца. Ако мислите, че някой може да е погълнал батерията или че тя е попаднала в тялото по друг начин, потърсете незабавна медицинска помощ.

ОСТАТЪЧНИ РИСКОВЕ

Преди да започнете да режете, достъпът до зоната трябва да бъде блокиран в съответствие с местните разпоредби.

Никога не режете кабели, които не са изключени от хранването!

Кабелите и въжетата не бива да се излагат на механични сили. Неспазването на тази инструкция може да причини сериозни наранявания, смърт, пожар и други имуществени вреди в резултат на токов удар, експлозия и/или електрически дъги. Носете предпазни очила.

ИЗПОЛЗВАНЕ ПО ПРЕДНАЗНАЧЕНИЕ

Клещите резачки са подходящи за рязане на изолирани кабели, които не са под напрежение с медни и алуминиеви жила, ACSR кабели (алуминиево-стоманени проводници), стоманени въжета, съобразно типа на кабела.

Рязането съответно разделянето на кабели и въжета с помощта на тези клещи резачки може да се извършва само от инструктиран електротехнически персонал.

Операторът на тази резачка за кабели трябва да бъде инструктиран относно специфичните опасности, свързани с използването на тази резачка за кабели и относно съществените мерки за безопасност, преди да започне работа с нея за първи път и поне веднъж в годината след това.

Фирмата изпълнител следва да:

- осигури на оператора достъп до ръководството за експлоатация и
- да се увери, че операторът го е прочел и разбрал.



ВНИМАНИЕ Прочетете всички указания за безопасност, инструкции, изображенията и техническите данни, които получавате с уреда. Пропуски при спазването на указанията и на инструкциите за безопасност могат да доведат до токов удар, пожар и/или тежки наранявания. **Пазете всички указания и инструкции за безопасност за бъдещето.**

ПРИЛОЖЕНИЕ

Подготовка на работното поле

Преди започване на работа се спира подаването на напрежение към проводниците или въжетата и за времето на работните действие се осигурява безопасността.

Не извършвайте никаква работа, ако не сте напълно сигурни, че кабелът или изолираният проводник е изключен.

Задължително да се спазват местните правила за безопасност и разпоредби.

Кабелите и въжетата не бива да се излагат на механични сили и евентуално след сръзването трябва да се обезопасят срещу неконтролирани движения.

Не излагайте уреда на дъжд и не употребявайте в мокра или влажна среда.

Подготовка на резачката за кабели и на батерията

Преди всяка употреба:

- Огледайте резачката на кабели за външни дефекти;
- Проверете резачката за пукнатини и други признаци на износване;

Използвайте само ако е в отлично състояние!

Преди да започнете да режете, трябва да проверите капацитета на батерията: минимум 33% (вж. илюстрираното описание).

Може да е необходимо да заредите батерията, преди да започнете работа.

Подготовка за рязане

Придържайте и фиксирайте кабела за рязане, за да се сведе до минимум рискът от неконтролирано движение.

Най-вече кабели в свободното пространство и въжета могат да се движат неконтролируемо и да причинят наранявания и / или повреди.

Режещата глава трябва е разположена под ъгъл от 90° спрямо кабела или въжето, така че той/то да попадне без обтягане в отворените челюсти и да се избегнат неблагоприятни усилия при рязане.



ВНИМАНИЕ: За да намалите риска от експлозия, токов удар и увреждане на собственост, никога не прерязвайте електрически кабели под напрежение.

Инструментът НЕ е изолиран. Контактът с ел. верига под напрежение може да причини сериозни наранявания или смърт. Изключете хранването, преди да извършите сръзването. Никога не режете газопроводи и водопроводи. Дръжте ръцете си далеч от режещите ръбове и движещите се части. В противен случай може да се стигне до разкъсване и ампутация.

Винаги изваждайте батерията, преди да подмените или отстранявате аксесоари. Използвайте само аксесоари,

които се препоръчват специално за този инструмент. Различни аксесоари могат да бъдат опасни. За да намалите риска от нараняване, носете защитни очила или очила със странични предпазители.

⚠ ВНИМАНИЕ: За да намалите риска от нараняване, режете единствено материали, подходящи за остриетата. (вж. „Спецификации“) Не опитвайте да режете други материали.

Рязане

- Преди рязане се уверете, че остриетата са поставени правилно.
 - 1. Прокрачайте кабела перпендикулярно на остриетата на клещите резачки. Не опитвайте да режете под ъгъл, тъй като това ще повреди кабела и остриетата.
 - 2. Хванете здраво ръкохватките.
- Натиснете спусъка и го задръжте, докато трае операцията. Когато спусъкът бъде дръпнат, ще светне светодиоден индикатор.
- След като срезът е изпълнен или инструментът изключи, отпуснете бутона за освобождаване и натиснете възвратния прекъсвач, за да се отворят челюстите.
- Забележка: Възможно е по време на разрязването кабелът да се мърда леко.

Действия при неизправности

- Кабелът може да е подрязан и токопроводящ, винаги информирайте служителя по безопасността, прекратете процеса на рязане, вземете подходящи мерки за безопасност
- Винаги проверявайте дали устройството е изключено от захранването, както и че то няма да бъде включено, преди да се приближите и да го докоснете.
- Натиснете и задръжте бутона за връщане в изходно положение, докато резачката не се отвори напълно.
- Проверете заряда на батерията.
- Проверете дали материалът и неговата дебелина отговарят на техническите спецификации.
- Ако се съмнявате, че сте срязали кабел, по който тече ток, резачката за кабели трябва да бъде инспектирана в упълномощен специализиран сервис.

Засичане на остриетата

- Останалите след срязване мръсотия и отломки могат да предизвикат засичане на остриетата.
- Натиснете и задръжте освобождаващия спусък, за да върнете инструмента в изходно състояние.
 - Извадете батерията.
 - Следвайте описанието на изображението за отваряне на челюстите
 - Почистете мръсотията и отломките от остриетата, преди да започнете друго рязане.

Съвети за рязане

- Не опитвайте да режете под ъгъл, тъй като това ще повреди кабела и остриетата.
- Режете почистени кабели, за да удължите живота на острието. Избършете мръсотията и отломките от кабелите и остриетата, преди да започнете рязането.

ПОДДРЪЖКА

Преди започване на каквито е да работи по машината извадете акумулатора.

Никога не отваряйте резачката, сменяемата батерия или зарядното устройство.

Проверявайте резачката за проблеми, като например шум или засичане на движещите се части, които могат да повлияят на работата на инструмента.

Проверявайте резците за пукнатини и други признаци на износване.

Когато приключите работата, почиствайте и смазвайте резците.

Проверявайте дали режещите ръбове са остри и подменяйте износените режещи челюсти.

Подменяйте остриетата, когато се нацървят или повредят.

Винаги подменяйте и двете остриета едновременно.

Използвайте единствено остриета MILWAUKEE.

Проверявайте дали резците могат да се движат свободно.

За да избегнете нараняване и повреда, никога не потапяйте инструмента, сменяемата батерия или зарядното в течност и не позволявайте проникването на течност в тях.

Вентилационните шлицы на машината да се поддържат винаги чисти.

Уредът съдържа хидравлично масло, което представлява опасно за подпочвените води. Неконтролираното му изпускане или неправомерно изхвърляне като отпадък се наказва от закона.

Устройството трябва да се обслужва на всеки шест до дванадесет месеца, в зависимост от честотата на използването му.

Можете да научите повече за интервалите на обслужване чрез приложението ONE-KEY.

Свързаните с ремонт и поддръжка работи следва да се извършват само от оторизирани специализирани сервиси. Да се използват само аксесоари на Milwaukee и резервни части на Milwaukee. Елементи, чията подмяна не е описана, да се дадат за подмяна в сервис на Milwaukee (вижте брошурата „Гаранция и адреси на сервиси“).

При необходимост можете да поискате за уреда от Вашия сервис или директно от Techtronic Industries GmbH, Max-Eyth-Straße 10, 71364 Winnenden, Germany, чертеж за в случай на експлозия, като посочите типа на машината и номер върху заводската табелка.

ONE-KEY™

За да научите повече за ONE KEY функционалността на този инструмент, прочетете приложеното ръководство за бърз старт или ни посетете в интернет на <http://www.milwaukeeetool.com/one-key> Можете да изтеглите ONE KEY приложението на Вашия смартфон от App Store или Google Play.

При възникване на електростатичен разряд Bluetooth комуникацията ще бъде прекъсната, а интерфейсът на приложението ще се затвори. Приложението няма да може да бъде стартирано в следващите 45 секунди. След изтичането на 45-те секунди, приложението трябва да бъде върнато към изходните си настройки, за да може да се използва. Ние считаме, че този резултат отговаря на нашето минимално допустимото ниво на работа съгласно стандарти EN 301489-1/ EN 301489-17. На клиента ще бъдат предоставени указания за експлоатация в ръководството за употреба.



БЪЛ

АКУМУЛАТОРИ

Температура над 50°C намалява мощността на акумулатора. Да се избягва по-продължително нагряване на слънце или от отопление.

Поддържайте чисти присъединителните контакти на зарядното устройство и на акумулатора.

За оптимална продължителност на живот след употреба батериите трябва да се заредят напълно. Акумулатори, които не са ползвани по-дълго време, преди употреба да се дозаредят.

За възможно по-дълга продължителност на живот батериите трябва да се изваждат от уреда след зареждане.

При съхранение на батериите за повече от 30 дни; съхранявайте батерията при прилб. 27°C и на сухо място., Съхранявайте батерията при 30 до 50 % от заряда., Зареждайте батерията на всеки 6 месеца.

Не изхвърляйте изхабените акумулатори в огъня или в при битовите отпадъци. Milwaukee предлага екологосъобразно събиране на старите акумулатори; моля попитайте Вашия специализиран търговец.

Не съхранявайте акумулаторите заедно с метални предмети (опасност от късо съединение).

ПРЕВОЗ НА ЛИТIEВO-ЙОННИ БАТЕРИИ

Литиево-йонните батерии са предмет на законовите разпоредби за превоз на опасни товари.

Превозът на тези батерии трябва да се извършва в съответствие с местните, националните и международните разпоредби и регламенти.

Потребителите могат да превозват тези батерии по пътя без допълнителни изисквания.

Превозът на литиево-йонни батерии от транспортни компании е предмет на законовите разпоредбите за превоз на опасни товари. Подготовката на превоза и самият превоз трябва да се извършват само от обучени лица. Целият процес трябва да е под професионален надзор.

Спазвайте следните изисквания при превоз на батерии:

Уверете се, че контактите са защитени и изолирани, за да се избегне късо съединение. Уверете се, че няма опасност от разместване на батерията в опаковката. Не превозвайте повредени батерии или такива с течове. Обърнете се към Вашата транспортна компания за допълнителни инструкции.

СЕ - ДЕКЛАРАЦИЯ ЗА СЪОТВЕТВИЕ

Ние декларираме, изцяло на наша отговорност, че продуктът, описан в „Технически данни“, съответства на всички необходими изисквания на директивите

2011/65/EC RoHS, 2006/42/EO, 2014/53/ EC

и че са използвани следните хармонизирани стандарти

EN 62841-1:2015

EN 62479:2010

EN 55014-1:2017+A11:2020

EN 55014-2:2015

EN 301 489-1 V2.2.3

EN 301 489-17 V3.1.1

EN 300 328 V2.2.2

EN IEC 63000:2018



Winnenden, 2021-04-07

Alexander Krug / Managing Director
Упълномощен за съставяне на техническата документация
Techtronic Industries GmbH
Max-Eyth-Straße 10, 71364 Winnenden, Germany

СИМВОЛИ



Преди пускане на уреда в действие моля прочетете внимателно инструкцията за използване.



ВНИМАНИЕ!
Предупреждение за отхвърлени предмети



При работа с машината винаги носете предпазни очила.



Това устройство се захранва с клетъчна литиева батерия от тип копче.



Опасност от токов удар



ВНИМАНИЕ! ПРЕДУПРЕЖДЕНИЕ! ОПАСНОСТ



Преди започване на каквито и да е работи по машината извадете акумулатора.



Дръжте ръцете си далече от режещия инструмент и други движещи се части. Пръстите Ви могат да попаднат в режещия механизъм и да бъдат откъснати или наранени.



Акcesoари - Не се съдържат в обема на доставката, препоръчано допълнение от програмата за акcesoари.



Електрическите уреди, батерии/акумулаторни батерии не трябва да се изхвърлят заедно с битовите отпадъци. Електрическите уреди и акумулаторни батерии трябва да се събират раздельно и да се предават на службите за рециклиране на отпадъците според изискванията за опазване на околната среда. Информирайте се при местните служби или при местните специализирани търговци относно местата за събиране и центровете за рециклиране на отпадъци.

V Напряжение

Постоянен ток



Европейски знак за съответствие



Британски знак за съответствие



Украински знак за съответствие



Евро-азиатски знак за съответствие

български

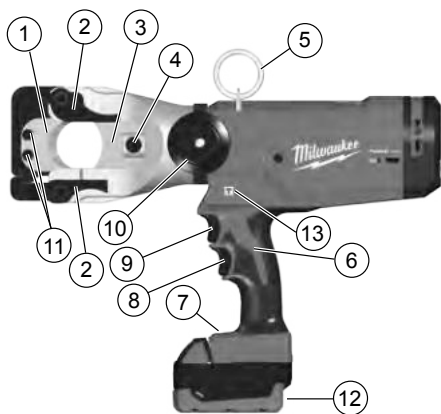
DATE TEHNICE	M18 HCC45
Tăietor cablu	
Număr producție	4772 37 01... ... 000001-999999
Banda de frecvențe	2402-2480 MHz
Puterea de radiofrecvență	1,8 dBm
Tensiune acumulator	18 V
forța de presare	77,8 kN
Zona de tăiere Depinde de tipul de cablu	max. Ø 44 mm
ACSR: Aluminiu-/Cordoane din oțel Cupru / Aluminiu	
Greutatea conform „EPTA procedure 01/2014” (Li-Ion 2,0 Ah...9,0Ah)	6 kg...6,6 kg
Temperatură ambientală recomandată pentru funcționare	-18°C ... +50°C
Seturi de baterii recomandate	M18B...
Încărcător de baterii recomandat	M12-18...
Informație privind zgomotul	
Valori măsurate determinate conform EN 62841. Nivelul de zgomot evaluat cu A al aparatului este tipic de:	
Nivelul presiunii sonore (Nesiguranță K=3dB(A))	76,9 dB(A)
Nivelul sunetului (Nesiguranță K=3dB(A))	87,9 dB(A)
Purtați căști de protecție	
Informații privind vibrațiile	
Valorile totale de oscilație (suma vectorială pe trei direcții determinate conform normei EN 62841.	
Valoarea emisiei de oscilația _h Nesiguranță K=	1,2 m/s ² 1,5 m/s ²

AVERTISMENT!

Gradul de oscilație indicat în prezentele instrucțiuni a fost măsurat în conformitate cu o procedură de măsurare normată prin norma EN 62841 și poate fi folosit pentru a compara uneltele electrice între ele. El se pretează și pentru o evaluare provizorie a solicitării la oscilații. Gradul de oscilație indicat reprezintă aplicațiile principale ale uneltelor electrice. În cazul în care însă uneltele electrice au fost folosite pentru alte aplicații, ori au fost folosite uneltele de muncă diferite ori acestea nu au fost supuse unei suficiente inspecții de întreținere, gradul de oscilație poate fi diferit.

Acest fapt poate duce la o creștere netă a solicitărilor la oscilații dealungul întregii perioade de lucru. În scopul unei evaluări exacte a solicitării la oscilații, urmează să fie luate în considerare și perioadele de timp în care aparatul a fost oprit ori funcționează dar, în realitate, el nu este folosit în mod practic. Acest fapt poate duce la o reducere netă a solicitărilor la oscilații dealungul întregii perioade de lucru.

Stabiliți măsuri de siguranță suplimentare în scopul protecției utilizatorului de efectele oscilațiilor, de exemplu: inspecție de întreținere a uneltelor electrice și a celor de muncă, păstrarea caldă a mâinilor, organizarea proceselor de muncă.



Descrierea dispozitivului

- | | |
|---------------------------------------|---|
| ① Lamă pentru încărcător frontal | ⑦ LED |
| ② Levier eliberare fălci | ⑧ Declanșator de eliberare |
| ③ Lamă spate | ⑨ Declanșator |
| ④ Știft fixare lamă | ⑩ Mâner suplimentar |
| ⑤ Etrier de suspendare | ⑪ 5 mm Șurub cu cap înecat și locaș hexagonal |
| ⑥ Mâner Suprafață de prindere izolată | ⑫ Acumulator |
| | ⑬ Indicator ONE KEY |

⚠ AVERTISMENT Citiți toate instrucțiunile de securitate, recomandările, reprezentările grafice și datele pe care le primiți livrate împreună cu aparatul. Nerespectarea indicațiilor de avertizare și a instrucțiunilor poate provoca electrocutare, incendii și/sau răniri grave.
Păstrați toate indicațiile de avertizare și instrucțiunile în vederea utilizărilor viitoare.

⚠ INSTRUCȚIUNI DE SECURITATE PENTRU TĂIETOARE DE CABLU

Pentru a reduce riscul de explozii, electrocutare, daune materiale și deteriorarea echipamentului, nu tăiați niciodată cabluri electrice aflate sub tensiune. Dispozitivul NU este izolat.

Țineți mâinile și îmbrăcămintea largă departe de piesele de tăiat sau de alte componente mobile. Există riscul unor răniri severe, incluzând amputarea membrelor.

Se recomandă utilizarea hainelor de protecție ca de ex. Măști contra prafului, mănuși de protecție, încălțăminte stabilă nealunecoasă, cască și aparatoare de urechi.

Folosii echipament de protecție. Purtați întotdeauna măști de siguranță pentru ochi atunci când lucrați cu dispozitivul de tăiere al cablurilor.

Preveniți pornirea accidentală a dispozitivului de tăiere al cablurilor. Înainte de conectarea bateriei detașabile, asigurați-vă că declanșatorul este asigurat cu elementul de blocare.

Nu țineți niciodată dispozitivul de tăiere a cablurilor de fălcile de tăiere.

Înainte de utilizare, verificați întotdeauna ca fălcile de tăiere să nu prezinte crăpături sau alte semne de uzură.

Utilizați dispozitivul de tăiere al cablurilor, bateria detașabilă și încărcătorul numai dacă sunt în stare tehnică perfectă.



Ro

Deteriorările trebuie reparate imediat de către un atelier autorizat. Îndepărtați acumulatorul înainte de începerea lucrului pe mașina Dispozitivul de tăiere al cablurilor are voie să fie utilizat numai cu o unealtă de tăiere inserată.

Înainte de efectuarea tăierii, îndepărtați toate uneltele de reglare și cheile de piulițe fixe.

Pentru a evita rănirile și deteriorările, nu scufundați niciodată în lichide unealta, bateria detașabilă sau încărcătorul și nu permiteți niciodată pătrunderea lichidelor în acestea.


Țineți întotdeauna cu ambele mâini dispozitivul de tăiere al cablurilor.

Folosiți numai încărcătoare System M18 pentru încărcarea acumulatorilor System M18. Nu folosiți acumulatori din alte sisteme.

Nu deschideți niciodată acumulatorii și încărcătoarele și pastrați-le numai în încăperi uscate. Pastrați-le întotdeauna uscate.

Pentru a reduce pericolul unui incendiu și evitarea rănirilor sau deteriorarea produsului în urma unui scurtcircuit nu imersați scula, acumulatorul de schimb sau încărcătorul în lichide și asigurați-vă să nu pătrundă lichide în aparate și acumulatori. Lichidele corosive sau cu conductibilitate, precum apa sărată, anumite substanțe chimice și înalbitori sau produse ce conțin înalbitori, pot provoca un scurtcircuit.

AVERTISMENT

 Acestă sculă conține o baterie rotundă specializată tip litiu. O baterie nouă sau folosită poate cauza arsuri interne severe și poate provoca chiar decesul chiar și în 2 ore dacă este înghițită sau dacă intră în corp. Asigurați mereu capacul de pe compartimentul cu baterii. Dacă nu se închide în mod sigur, opriți dispozitivul, îndepărtați bateria și nu o lăsați la îndemâna copiilor. Dacă suspectați că cineva a înghițit o baterie sau că aceasta a intrat în corp prin alte modalități, apelați de urgență la un medic.

RISURI REZIDUALE

Înainte de începerea procesului de tăiere, accesul trebuie restricționat în conformitate cu reglementările locale.

Tăiați întotdeauna cablurile numai după ce au fost deconectate de la alimentarea electrică!

Cablurile și cordoanele nu au voie să fie expuse la forțe mecanice.

Incapacitatea de conformare cu această instrucțiune poate avea ca urmări răniri grave, deces, incendii și alte daune materiale, ca rezultat al electrocutării, exploziei și/sau arcurilor electrice.

Purtați ochelari de protecție:


CONDIȚII DE UTILIZARE SPECIFICATE

Tăietorul de cablu este adecvat pentru debitarea cablurilor scoase de sub tensiune confecționate din cupru sau aluminiu, respectiv cordoane ACSR (conductoare din aliaj aluminiu/oțel), cordoane din oțel, folosind cuțite adecvate în funcție de tipul cablului.

Tăierea, resp. debitarea cablurilor și cordoanelor cu ajutorul acestui tăietor de cabluri are voie să fie făcută numai de o persoană instruită în domeniul electrotehnicii.

Operatorul acestui dispozitiv de tăiere al cablurilor trebuie să fie instruit înainte de a lucra cu dispozitivul pentru prima oară și apoi anual cu privire la pericolele specifice asociate utilizării acestui dispozitiv de tăiere al cablurilor și măsurile de siguranță esențiale. Firma de exploatare trebuie:

- să pună la dispoziția operatorului manualul de exploatare și
- și să se asigure că operatorul a citit și a înțeles conținutul acestuia.

 **AVERTISMENT** Citiți toate instrucțiunile de securitate, recomandările, reprezentările grafice și datele pe care le primiți livrate împreună cu aparatul. Nerespectarea indicațiilor de avertizare și a instrucțiunilor poate provoca electrocutare, incendii și/sau răniri grave. **Păstrați toate indicațiile de avertizare și instrucțiunile în vederea utilizării viitoare.**

UTILIZARE

Pregătirea zonei de lucru

Înainte de începerea lucrului trebuie să se scoată de sub tensiune liniile și cordoanele, iar această stare trebuie asigurată pe întreaga durată a lucrărilor.

Dacă nu se poate asigura fără nicio urmă de îndoială întreruperea alimentării electrice a cablurilor sau liniei izolate, nu se va efectua nicio lucrare.

Se vor respecta neapărat prevederile și reglementările locale privind siguranța.

Cablurile și cordoanele nu au voie să fie expuse la forțe mecanice și, dacă este cazul, trebuie asigurate contra mișcărilor necontrolate după tăiere.

Nu expuneți utilajul ploii și nu-l utilizați în mediu umed sau ud.

Pregătirea dispozitivului de tăiere al cablurilor și bateriei

Înainte de fiecare utilizare:

- Verificați ca dispozitivul de tăiere a cablurilor să nu prezinte defecte externe
- Verificați ca dispozitivul de tăiere să nu prezinte crăpături sau alte semne de uzură

A se utiliza numai în condiție perfectă!

Înainte de începerea procesului de tăiere trebuie verificată capacitatea bateriei: minimum 33% (a se vedea descrierea ilustrată).

Este posibil să fie necesară reincărcarea înainte de începerea lucrărilor.

Pregătirea procesului de tăiere

Sprînjiniți și fixați cablul sau cordonul care urmează să fie tăiate, astfel încât să reduceți la minimum riscul unei mișcări necontrolate.

Mișcarea necontrolată poate să apară în mod special în cazul liniilor și cordoanelor libere, putând fi provocate leziuni și/sau daune.

Capul de tăiere trebuie amplasat în unghi de 90° față de cablu sau cordon, astfel încât cablu sau cordon să stea fără tensionare între fălcile de tăiere deschise și să se evite forțele de forfecare nefavorabile.

 **AVERTISMENT:** Pentru a reduce riscul de explozii, electrocutare, daune materiale și deteriorarea echipamentului, nu tăiați niciodată cabluri electrice aflate sub tensiune.

Dispozitivul NU este izolat. Contactul cu un circuit aflat sub tensiune poate avea drept rezultat răniri grave sau deces. Înainte de a executa o tăiere, opriți alimentarea electrică. Nu tăiați niciodată conducte de gaz sau apă. Feriți-vă mâinile de toate muchiile tăioase și piesele mobile. Pot fi cauzate sfâșieri sau amputări.

Scoateți întotdeauna bateria înainte de înlocuirea sau demontarea accesoriilor. Utilizați numai accesoriile recomandate în mod specific pentru acest dispozitiv. Altele pot fi riscante.

Pentru a reduce riscul rănirilor, purtați măști de siguranță pentru ochi sau ochelari cu protecții laterale.

⚠️ AVERTISMENT: Pentru a reduce riscul de rănire, tăiați numai materialele recomandate pentru lame. (a se vedea „Specificații”) Nu încercați să tăiați alte materiale.

Tăiere

- Înainte de tăiere, asigurați-vă că lamele sunt montate corespuțător.
 - 1. Introduceți cablul în unghi drept în fâlcile de tăiere ale tăietorului de cabluri. Nu încercați să faceți tăieri oblice, deoarece acest lucru va deteriora piesa și lamele.
 - 2. Apucați ferm mânerul(ele).
- Trageți și mențineți tras declanșatorul în timpul utilizării. Atunci când declanșatorul este tras se aprinde un LED. După ce tăierea a fost realizată sau unealta a oprită, eliberați din nou declanșatorul și acționați comutatorul de revenire la poziția de bază, pentru a deschide fâlcile de tăiere.
- Notă: Este posibil ca piesa să se miște ușor în timpul tăierii.

Acțiune în caz de defecțiuni

- cablu poate fi tăiat și se poate afla sub tensiune, informați întotdeauna persoanele însărcinate cu siguranța, sistați procesul de tăiere, implementați măsuri de siguranță adecvate
- Asigurați-vă întotdeauna că dispozitivul este și rămâne deconectat de la sursa de alimentare electrică înainte de a vă apropia de el sau de a-l atinge
- apăsați și mențineți apăsat butonul de resetare până când dispozitivul de tăiere se deschide complet
- verificați capacitatea bateriei
- verificați materialul și grosimea materialului ținând cont de datele tehnice
- Dacă se suspectează că a fost tăiat vreun cablu aflat sub tensiune, dispozitivul de tăiere al cablurilor trebuie verificat de un atelier specializat autorizat

Lame încheștate

Murdăria și reziduurile pot cauza încheștarea între ele a lamelor după o tăiere

- Apăsați mențineți apăsat declanșatorul de deblocare, pentru a vă asigura că dispozitivul de tăiere s-a resetat.
- Scoateți blocul bateriei.
- Urmați descrierea ilustrată pentru deschiderea fâlcilor de tăiere
- Înainte de a începe o altă tăiere, curățați de pe lame toată murdăria și toate reziduurile.

Sfaturi pentru tăiere

- Nu încercați să faceți tăieri oblice, deoarece acest lucru va deteriora piesa și lamele.
- Tăiați materiale curate, pentru a extinde durata de viață a lamelor. Înainte de începerea tăierii, curățați murdăria și reziduurile de pe material și de pe lame.

INTREȚINERE

Îndepărtați acumulatorul înainte de începerea lucrului pe mașina. Nu desfaceți niciodată dispozitivul de tăiere al cablurilor, bateria detașabilă sau încărcătorul.

Verificați ca dispozitivul de tăiere al cablurilor să nu prezinte nicio problemă, cum ar fi zgomotul sau încheștarea componentelor mobile, care ar putea afecta dispozitivul.

Verificați ca dispozitivele de tăiere să nu prezinte crăpături sau alte semne de uzură.

La finalizarea lucrării, curățați și gresați dispozitivele de tăiere. Verificați dacă muchiile de tăiere sunt ascuțite și înlocuiți fâlcile de tăiere uzate.

Înlocuiți lamele dacă sunt ciobite sau deteriorate. Înlocuiți lamele întotdeauna în set. Utilizați numai lame MILWAUKEE.

Verificați dacă dispozitivele de tăiere se pot mișca fără obstrucții. Pentru a evita rănirile și deteriorările, nu scufundați niciodată în lichide unealta, bateria detașabilă sau încărcătorul și nu permiteți niciodată pătrunderea lichidelor în acestea.

Fantele de aerisire ale mașinii trebuie să fie menținute libere tot timpul

Aparatul conține ulei hidraulic care reprezintă un pericol pentru apa freatică. Golirea necontrolată sau eliminarea necorespuțătoare a acestuia este pasibilă de pedeapsă.

Dispozitivul trebuie suspendat lucrărilor de întreținere la fiecare șase până la douăsprezece luni, în funcție de utilizare.

Despre aceste intervale de întreținere puteți afla mai multe prin aplicația ONE-KEY.

Efectuarea lucrărilor de întreținere și de reparație este permisă numai atelierelor de specialitate autorizate.

Utilizați numai accesorii și piese de schimb Milwaukee. Dacă unele din componente care nu au fost descrise trebuie înlocuite, vă rugăm contactați unul din agenții de service Milwaukee (vezi lista noastră pentru service / garanți

Dacă este necesară, se poate comanda o imagine descompusă a sculei. Vă rugăm menționați numărul art. Precum și tipul mașinii tipărit pe etichetă și comandați desenul la agenții de service locali sau direct la Techtronic Industries GmbH, Max-Eyth-Straße 10, 71364 Winnenden, Germany.

ONE-KEY™

Pentru a afla mai multe despre funcționalitatea ONE-KEY a acestei scule, vă rugăm să citiți Manualul atașat sau să ne vizitați site-ul pe <http://www.milwaukeeetool.com/one-key>

Puteți descărca aplicația ONE-KEY de pe App Store sau Google Play pe Smartphone-ul dvs.

Atunci când se constată descărcări electrostatice, comunicarea prin Bluetooth va fi deconectată și se iese din interfața app. Iar aplicația nu mai poate fi utilizată timp de 45 de secunde. După 45 secunde, trebuie resetată aplicația pentru a o repune în funcțiune.” Noi considerăm rezultatul ca fiind în interiorul nivelului nostru minim acceptat de performanță în conformitate cu EN 301489-1/ EN 301489-17. Vom transmite clientului ghidul operațional integrat în Manualul de utilizare.

ACUMULATORI

Temperatura mai mare de 50°C (122°F) reduce performanța acumulatorului. Evitați expunerea prelungită la căldură sau radiație solară (risc de supraîncălzire)

Contactele încărcătoarelor și acumulatorilor trebuie păstrate curate.

În scopul optimizării duratei de funcționare, bateriile trebuie reîncărcate complet după utilizare. Acumulatorii care nu au fost utilizați o perioadă de timp trebuie reîncărcați înainte de utilizare. Pentru o durată de viață cât mai lungă, acumulatorii ar trebui scoși din încărcător după încărcare.

La depozitarea acumulatorilor mai mult de 30 zile., Acumulatorii se depozitează la cca. 27°C și la loc uscat., Acumulatorii se depozitează la nivelul de încărcare de cca. 30%-50%., Acumulatorii se încarcă din nou la fiecare 6 luni.



Nu aruncați acumulatorii uzați la containerul de reziduri menajere și nu îi ardeți. Milwaukee Distributors se oferă să recupereze acumulatorii vechi pentru protecția mediului înconjurător.

Nu depozitați acumulatorul împreună cu obiecte metalice (risc de scurtcircuit)

TRANSPORTUL ACUMULATORILOR CU IONI DE LITIU

Acumulatorii cu ioni de litiu cad sub incidența prescripțiilor legale pentru transportul de mărfuri periculoase.

Transportul acestor acumulatori trebuie să se efectueze cu respectarea prescripțiilor și reglementărilor pe plan local, național și internațional.

Consumatorii le este permis transportul rutier nerestricționat al acestui tip de acumulatori.

Transportul comercial al acumulatorilor cu ioni de litiu prin intermediul firmelor de expediție și transport este supus reglementărilor transportului de mărfuri periculoase. Pregătirile pentru expediție și transportul au voie să fie efectuate numai de către personal instruit corespunzător. Întregul proces trebuie asistat în mod competent.

Următoarele puncte trebuie avute în vedere la transportul acumulatorilor:

Pentru a se evita scurtcircuite, asigurați-vă de faptul că sunt protejate și izolate contactele. Aveți grijă ca pachetul de acumulatori să nu poată aluneca în altă poziție în interiorul ambalajului său. Este interzis transportarea unor acumulatori deteriorați sau care pierd lichid. Pentru indicații suplimentare adresați-vă firmei de expediție și transport cu care colaborați.

DECLARAȚIE DE CONFORMITATE

Declarăm pe propria răspundere că produsul descris în capitolul „Date tehnice” îndeplinește toate cerințele relevante ale directivelor

2011/65/UE RoHS, 2006/42/CE, 2014/53/ UE
și au fost utilizate următoarele standarde armonizate
EN 62841-1:2015
EN 62479:2010
EN 55014-1:2017+A11:2020
EN 55014-2:2015
EN 301 489-1 V2.2.3
EN 301 489-17 V3.1.1
EN 300 328 V2.2.2
EN IEC 63000:2018



Winnenden, 2021-04-07

Alexander Krug / Managing Director
Împuternicit să elaboreze documentația tehnică.
Techtronic Industries GmbH
Max-Eyth-Strasse 10, 71364 Winnenden, Germany

SIMBOLURI



Va rugăm citiți cu atenție instrucțiunile înainte de pornirea mașinii



AVERTISMENT!
Avertisment împotriva obiectelor aruncate



Purtați întotdeauna ochelari de protecție când utilizați mașina.



Această sculă conține o baterie rotundă specializată tip litiu.



Pericol de șoc electric



PERICOL! AVERTIZARE! ATENȚIE!



Îndepărtați acumulatorul înainte de începerea lucrului pe mașina



Țineți mâinile departe de piesele de tăiat sau de alte componente mobile. Degetele pot ajunge în mecanismul de tăiere și pot fi tăiate sau vătămate.



Accesorii - Nu este inclus în echipamentul standard, disponibil ca accesoriu



Aparatele electrice, bateriile/acumulatorii nu se elimină împreună cu deșeurile menajere. Aparatele electrice și acumulatorii se colectează separat și se predau la un centru de reciclare, în vederea eliminării ecologice. Informații vă de la autoritățile locale sau de la comercianții acreditați în legătură cu centrele de reciclare și de colectare.



Tensiune



Curent continuu



Marcă de conformitate europeană



Marcă de conformitate britanică

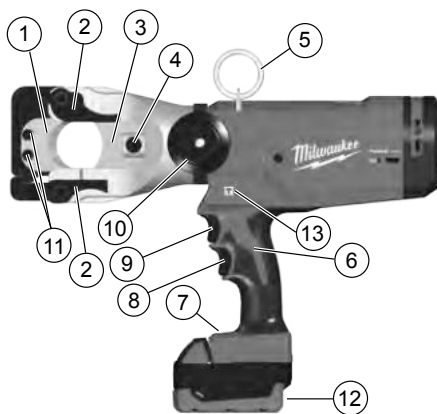


Marcă de conformitate ucraineană



Marcă de conformitate eurasiatică

ТЕХНИЧКИ ПОДАТОЦИ	M18 HCC45
Секач за кабел	
Произведен број	4772 37 01... ... 000001-999999
фреквентен опсег	2402-2480 MHz
моќност на предавателот	1,8 dBm
Волтажа на батеријата	18 V
притисок сила	77,8 kN
Зона на сечење Во зависност од видот на кабелот	макс. Ø 44 mm
ACSR: Алуминиум-/Челични сајли Бакар / Алуминиум	
Тежина според ЕПТА-процедурата 01/2014 (Li-Ion 2,0 Ah...9,0Ah)	6 kg...6,6 kg
Препорачана температура на околината за работа	-18°C ... +50°C
Препорачани комплекти акумулаторски батерии	M18B...
Препорачани полначи	M12-18...
Информации за бучавата	
Измерените вредности се одредени согласно стандардот EN 62841. А-оценетото ниво на бучава на апаратот типично изнесува:	
Ниво на звучен притисок. (Несигурност K=3dB(A))	76,9 dB(A)
Ниво на јачина на звук. (Несигурност K=3dB(A))	87,9 dB(A)
Носте штитник за уши.	
Информации за вибрации	
Вкупни вибрациски вредности (векторски збир на трите насоки) пресметани согласно EN 62841.	
Вибрациска емисиона вредноста _h	1,2 m/s ²
Несигурност K	1,5 m/s ²



Опис на уредот

- | | |
|--|--------------------------------|
| ① Преден нож | ⑦ LED |
| ② Лостови за ослободување на челуста | ⑧ Отпуштање на активаторот |
| ③ Заден нож | ⑨ Активатор (окидач) |
| ④ Клин за држење на ножот | ⑩ Дополнителна рачка |
| ⑤ Закачалка | ⑪ 5 mm Завртка со шестоаголник |
| ⑥ Рачка
Изолирана површина на дршката | ⑫ Батерија |
| | ⑬ Индикатор ONE KEY |

⚠ ПРЕДУПРЕДУВАЊЕ Прочитајте ги сите безбедносни напомени, упатства, цртежи и податоци, коишто ги добивате заедно со уредот. Заборавање на почитувањето на безбедносните упатства и инструкции можат да предизвикаат електричен удар, пожар и/или тешки повреди. **Сочувајте ги сите безбедносни упатства и инструкции за во иднина.**

⚠ БЕЗБЕДНОСИ УПАТСТВА ЗА СЕКАЧОТ ЗА КАБЕЛ

За да се намали ризикот од експлозии, струен удар и оштетување на имотот и опремата, немојте никогаш да сечете електрични кабли под напон. Алатот НЕ е изолиран.

Рацете и лабавата облека држете ги понастрана од алатот за сечење и другите подвижни делови. Постои ризик од сериозна повреда, вклучувајќи оштетување на екстремитетите.

Се препорачува заштитна облека како: маска за заштита од прашина, заштитни ракавици, цврсти чевли што не се лизгаат, кацига и заштита за уши.

Употребувајте заштитна опрема. Секогаш носете заштитни очила кога работите со секачот за кабли.

Спречете случајно вклучување на секачот за кабел. Пред да го поврзете на преносливата батерија, проверете дали активаторот е обезбеден со блокаторот на прекинувачот.

Никогаш немојте секачот за кабел да го држите за челуста за сечење.

Пред употреба, секогаш проверувајте ја челуста за сечење да не има пукнатини и други знаци на изабеност.

Секачот за кабел, преносливата батерија и полначот користете ги само ако се во беспрекорна техничка состојба.

Во случај на оштетување истите веднаш да бидат дадени на авторизирана стручна работилница на поправка.

ПРЕДУПРЕДУВАЊЕ!

Нивото на осцилација наведено во овие инструкции е измерено во согласност со мерните постапки нормирани во EN 62841 и може да биде употребено за меѓусебна споредба на електро-алати. Ова ниво може да се употреби и за привремена проценка на оптоварувањето на осцилацијата.

Наведеното ниво на осцилација ги репрезентира главните намени на електро-алатот. Но, доколку електро-алатот се употребува за други намени, со отстапувачки податоци или со несоодветно одржување, нивото на осцилација може да отстапи. Тоа може значително да го зголеми оптоварувањето на осцилацијата за време на целиот работен период.

За прецизна проценка на оптоварувањето на осцилацијата предвид треба да бидат земени и времињата, во коишто апаратот е исклучен или работи, но фактички не се употребува. Тоа може значително да го намали оптоварувањето на осцилацијата за време на целиот работен период

Утврдете дополнителни безбедносни мерки за заштита на операторот од влијанието на осцилациите, како на пример: одржување на електро-алатот и на податоци кон електро-алатот, одржување топли раце, организација на работните процеси.



Mak

Издадете го батерискиот склоп пред отпочнување на каков и да е зафат врз машината.

Секачот за кабел може да се користи само со вметнат алат за сечење.

Пред да сечете, отстранете ги сите алатки и клучеви.

За да избегнете повреда и оштетување, алатот, преносливата батерија или полначот никогаш не потопувајте ги во течност или, пак, не дозволувајте во нив да навлезе вода.

Секачот за кабел држете го со обеете раце.

Користете исклучиво Систем M18 за полнење на батерии од M18 систем. Не користете батерии од друг систем.

Не ги отворајте насилно батериите и полначите, и чувајте ги само на суво место. Чувајте ги постојано суви.

За да избегнете опасноста од пожар, од наранувања или од оштетување на производот, коишто ги создава краток спој, не ја потопувајте во течност алатката, заменливата батерија или полначот и пазете во уредите и во батериите да не проникнуваат течности. Корозивни или електроспроводливи течности, како солена вода, одредени хемикалии, избелувачки препарати или производи кои содржат избелувачки супстанции, можат да предизвикаат краток спој.

ПРЕДУПРЕДУВАЊЕ



Овој уред содржи една копча литумска батерија.

Доколку се голтне, или доколку влезе во телото, нова или стара батерија може да предизвика тешки внатрешни изгореници и да доведе до смрт за помалку од два часа. Секогаш обезбедувајте го поклопецот на батеријата. Доколку не се затвора добро, запрете го уредот, издадете ја батеријата и држете ја понастрана од деца. Ако мислите дека батеријата била голтната или дека влегла во телото, веднаш побарајте лекарска помош.

ОСТАТОЧНИ ОПАСНОСТИ

Пред да почне процесот на сечење, пристапот мора да биде забранет во склад со локалните прописи.

Сечете само кабли кои се исклучени од електричен напон! Кабелот и сајлите не смеат да бидат изложени на никакви механички сили.

Непочитувањето на овие упатства може да доведе до сериозна повреда, смрт, пожар и други материјални штети како последица на струен удар, експлозија и/или електричен лак. Да се носат заштитни очила.

СПЕЦИФИЦИРАНИ УСЛОВИ НА УПОТРЕБА

Секачот на кабли е погоден за одвојување на ненапонски кабли од изолиран бакар или алуминиум, ACSR-сајли (сајли од алуминиум/челик), челични сајли, во зависност од типот на кабелот.

Сечење, односно одвојување на кабли и сајли со помош на овој секач на кабли смее да врши само лице со електротехничка квалификација.

Пред да работи првпат со него и најмалку еднаш годишно после тоа, операторот со овој секач за кабли мора да добива инструкции за специфичните опасности коишто се поврзани со користењето на овој секач и за неопходните безбедносни мерки.

Компанијата што е ангажирана мора:

- Прирачникот за работа да му го стави на располагање на операторот и
- да се увери дека операторот го прочитал и го разбрал.



ПРЕДУПРЕДУВАЊЕ Прочитајте ги сите безбедносни напомени, упатства, цртежи и податоци, коишто ги добивате заедно со уредот. Заборавање на почитувањето на безбедносните упатства и инструкции можат да предизвикаат електричен удар, пожар и/или тешки повреди. **Сочувајте ги сите безбедносни упатства и инструкции за во иднина.**

УПОТРЕБА

распоред на работната зона

Пред почетокот на работата, мора да се создаде ненапонска состојба на водовите или сајлите и истата да биде обезбедена додека трае изведувањето на работите.

Доколку не може да се обезбеди кабелот или изолираниот вод да се исклучи, не смее да се извршува никаква работа.

Задолжително мора да се почитуваат локалните безбедносни прописи и регулативи.

Каблите и сајлите не смеат да бидат изложени на никакви механички сили, и евентуално да бидат осигурани против неконтролирани движења по отсечувањето.

Алатот не изложувајте го на дожд. Алатот не користете го на влажни или мокри места.

Подготовка на секачот за кабли и на батеријата

Пред секоја употреба:

- Проверете го секачот за кабли да не има надворешни дефекти
- Проверете го уредот за сечење да не има пукнатини и други знаци на изабеност

Користете го само во беспрекорна состојба!

Пред да почне процесот на сечење, мора да се провери капацитетот на батеријата: минимум 33% (види илустриран опис).

Може да е неопходно полнење пред да започне работата.

Подготовка за процесот на сечење

Потпрете го и прицврстете го кабелот или сајлата што треба да се сечат за да го минимизирате ризикот од неконтролирано движење.

Во неконтролирано движење особено може да се најдат слободните водови и сајлите и да предизвикаат повреди и/или оштетувања.


Главата за сечење мора да се постави под агол од 90° во однос на кабелот или сајлата, така што тој(таа) да може без напор да влезе во отворената челуст за сечење и да се избегнат неповолни сили на сечење.



ПРЕДУПРЕДУВАЊЕ: За да се намали ризикот од експлозии, струен удар и оштетување на имотот и опремата, немојте никогаш да сечете електрични кабли под напон.

Алатот НЕ е изолиран. Контактот со струјни кола под напон може да доведе до тешки повреди или смрт. Исклучете ја струјата пред да сечете. Немојте никогаш да сечете гасоводни или водоводни цевки. Рацете држете ги настрана од сите остри рабови и подвижни делови. Може да дојде до кинење и ампутација. Секогаш вадете го пакувањето со батерии пред да менувате или отстранувате некаков прибор. Користете само прибор кој е конкретно препорачан за оваа алатка. Друг прибор може да биде ризичен.

За да го намалите ризикот од повреда, носете сигурносни очила или очила со странични штитници.

 **ПРЕДУПРЕДУВАЊЕ:** За да го намалите ризикот од повреда, со ножевите сечете само препорачани материјали. (види „Спецификации“) Немојте да се обидувате да сечете други материјали.

Сечење

• Пред сечењето, осигурајте се дали ножевите се прописно монтирани.

1. Кабелот ставете го под прав агол врз секачите од секачот на кабли. Немојте да се обидувате да правите сечење под агол, бидејќи тоа ќе го оштети обработуваното парче и ножевите.

2. Рачката/-ите фатете ги цврсто.

Повлечете го и држете го активаторот за време на операцијата. Ќе се вклучи LED светилка штом го повлечете активаторот.

Штом ќе биде извршено сечењето или што алатот ќе биде исклучен, повторно отпуштете го копчето за активирање и активирајте го копчето за ресетирање, за да се отвори челуста за сечење.

Забелешка: Парчето кое се обработува движете го пополека за време на сечењето.

Постапка во случај на грешки

- кабелот може да биде засечен и под напон, секогаш известувајте го лицето кое е одговорно за безбедноста, прекинете ја постапката на сечење, преземете соодветни сигурносни мерки
- Секогаш осигуравајте се дали уредот е исклучен и дали ќе остане исклучен од напон пред да му пријдете и го допрете уредот
- Притиснете и држете го копчето за ресетирање додека секачот не се отвори целосно
- проверете го капацитетот на батеријата
- проверете го материјалот и неговата дебелина дали соодветствуваат на техничките податоци
- Доколку се сомневате дека бил пресечен кабел под напон, секачот за кабли треба да се провери во специјализирана работилница

Заглавени ножеве

Нечистотијата и отпадоците може да предизвикат ножевите да се заглават после сечењето

- Притиснете го и држете го деблокаторот на активаторот за да се осигурате дека алатката се ресетирала.
- Извадете ја батеријата.
- Следете го описот на сликата за отворање на челуста
- Исклучете ја секоја нечистотија и отпадоци од ножевите пред да започнете ново сечење.

Совети за сечењето

- Немојте да се обидувате да правите сечење под агол, бидејќи тоа ќе го оштети обработуваното парче и ножевите.
- Сечете чист материјал, за да се продолжи векот на употреба на ножот. Избришете ја нечистотијата и отпадоците од материјалот и од ножевите пред да почнете со сечењето.

ОДРЖУВАЊЕ

Извадете го батеријскиот склоп пред отпочнување на каков и да е зафат врз машината.

Никогаш немојте да го отворате секачот за кабли, преносливата батерија или полначот.

Проверете го секачот за кабли дали има било какви проблеми, како на пр. дали бучи или да не има заглавени подвижни делови кои би можеле да влијаат врз алатката.

Проверете ја алатката за сечење да не има пукнатини и други знаци на изабеност.

По завршување на работата, исчистете и подмачкајте ја алатката за сечење.

Проверете дали рабовите за сечење се остри и заменете ја челуста за сечење ако е избана.

Заменете ги ножевите штом станат избани или оштетени. Ножевите секогаш менувајте ги во комплет. Користете само ножеве MILWAUKEE.

Проверете дали може алатката за сечење да се движи слободно.

За да избегнете повреда и оштетување, алатот, преносливата батерија или полначот никогаш не потопувајте ги во течност или, пак, не дозволувајте во нив да навлезе вода.

Вентилациските отвори на машината мора да бидат комплетно отворени постојано.

Апаратот содржи хидрау-лично масло кое што претста-вува опасност за подземните води. Неконтро-лирано испуштање е казниво.

Уредот треба да се сервисира на секои шест до дванаесет месеци, во зависност од употребата.

За интервалите на сервисирање можете да дознаете повеќе преку апликацијата ONE-KEY.

Работите на одржување и поправка смеат да бидат изведувани исклучиво од страна на авторизи-рани стручни работил-ници.

Користете само Milwaukee додатоци и резервни делови. Доколку некои од компонентите кои не се опишани треба да бидат заменети, Ве молиме контактирајте ги сервисните агенти на Milwaukee (консултирајте ја листата на адреси).

Доколку е потребно можно е да биде набавен детален приказ на алатот. Ве молиме наведете го бројот на артиклот како и типот на машина кој е отпечатен на етикетата и порачајте ја скицата кај локалниот застапник или директно кај: Techtronic Industries GmbH, Max-Eyth-Straße 10, 71364 Winnenden, Germany.

ONE-KEY™

За да дознаете повеќе за ONE-KEY функционалноста на овој алат, прочитајте го приложеното Упатство за брз старт или посетете нè на интернет на <http://www.milwaukeeetool.com/one-key>.

Апликацијата ONE-KEY можете да ја симнете на Вашиот смартфон преку App Store или Google Play.

Штом ќе има електростатичко празнење, комуникацијата преку блутут се прекинува, а интерфејсот на апликацијата се трга. Апликацијата не е во употреба 45 секунди. После 45 сек., треба да се ресетира апликацијата за да се обнови.“ Сметаме дека резултатот ќе биде во рамките на нашето минимално прифатливо ниво на кородирање според EN 301489-1/ EN 301489-17. Во прирачникот за корисници на муштериите ќе им дадеме упатство за ракување.

БАТЕРИИ

Температура повисока од 50°C (122°F) го намалуваат траењето на батериите. Избегнувајте подолго изложување на батериите на високи температури или сонце (ризик од прегревање).

Клемите на полначот и батериите мора да бидат чисти.



За оптимален работен век батериите мора да се наполнат целосно по употреба. Батриите кои не биле користени подолго време треба да се наполнат пред употреба.

За можно подолг век на траење, апаратите после нивното полнење треба да бидат извадени од апаратот за полнење на батериите.

Во случај на складирање на батеријата подолго од 30 дена; Акумулаторот да се чува на температура од приближно 27°C и на суво место., Акумулаторот да се складира на приближно 30%-50% од состојбата на наполнетост., Акумулаторот повторно да се наполни на секои 6 месеци.

Не ги оставајте искористените батерии во домашниот отпад и не горете ги. Дистрибутерите на Милвоки ги собираат старите батерии, со што ја штитат нашата околина.

Не ги чувајте батериите заедно со метални предмети (ризик од краток спој).



ТРАНСПОРТ НА ЛИТИУМ-ЈОНСКИ БАТЕРИИ

Литиум-јонските батерии подлежат на законските одредби за транспорт на опасни материи.

Транспортот на овие батерии мора да се врши согласно локалните, националните и меѓународните прописи и одредби. Потрошувачите на овие батерии може да вршат непречен патен транспорт на истите.

Комерцијалниот транспорт на литиум-јонски батерии од страна на шпедитерски претпријатија подлежат на одредбите за транспорт на опасни материи. Подготовките за шпедиција и транспорт треба да ги вршат исклучиво соодветно обучени лица. Целокупниот процес треба да биде стручно надгледуван. При транспортот на батерии треба да се внимава на следното: Осигурајте се дека контактите се заштитени и изолирани, а сето тоа со цел да се избегнат кратки споеви. Внимавајте да не дојде до изместување на батериите во нивната амбалажа. Забранет е транспорт на оштетени или протечени литиум-јонски батерии. За понатамошни инструкции обратете се до Вашето шпедитерско претпријатие.

ЕУ-ДЕКЛАРАЦИЈА ЗА СООБРАЗНОСТ

Под целосна лична одговорност изјавуваме дека производот опишан во „Технички податоци“ е во сообразност со сите релевантни прописи од директивите

2011/65/EU RoHS, 2006/42/EC, 2014/53/EU

и дека се применети следните хармонизирани стандарди

EN 62841-1:2015

EN 62479:2010

EN 55014-1:2017+A11:2020

EN 55014-2:2015

EN 301 489-1 V2.2.3

EN 301 489-17 V3.1.1

EN 300 328 V2.2.2

EN IEC 63000:2018



Winnenden, 2021-04-07

Alexander Krug / Managing Director

Ополномоштен за составување на техничката документација.

Techtronic Industries GmbH

Max-Eyth-Straße 10, 71364 Winnenden, Germany

СИМБОЛИ



Ве молиме пред да ја стартувате машината обрнете внимание на упатствата за употреба.



ПРЕДУПРЕДУВАЊЕ!
летање на делови од работните предмети



Секогаш при користење на машината носете ракавици.



Овој уред содржи една копча литиумска батерија.



Опасност од струен удар



ВНИМАНИЕ! ПРЕДУПРЕДУВАЊЕ! ОПАСНОСТ!



Извадете го батерискиот склоп пред отпочнување на каков и да е зафат врз машината.



Рацете држете ги настрана од алатот за сечење и од другите подвижни делови. Прстите може да се најдат во механизмот за сечење и да бидат отсечени или повредени.



Дополнителна опрема - Не е вклучена во стандардната, а достапна е како додаток.



Електричните апарати и батериите што се полнат не смеат да се фрлат заедно со домашниот отпад. Електричните апарати и батериите треба да се собираат одделно и да се однесат во соодветниот погон заради нивно фрлање во склад со начелата за заштита на околината. Информирајте се кај Вашите местни служби или кај специјализираниот трговски претставник, каде има такви погони за рециклажа и собирајни станици.



Напон



Истосмерна струја



Европска ознака за сообразност



Британска ознака за сообразност



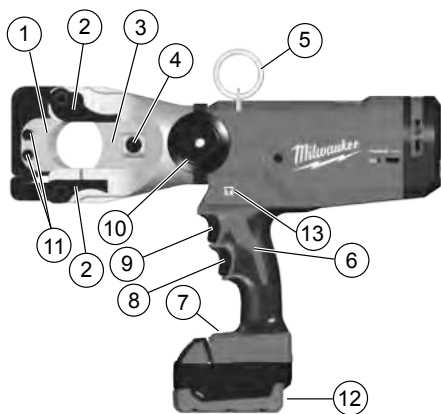
Украинска ознака за сообразност



Евроазиска ознака за сообразност

Македонски

ТЕХНІЧНІ ХАРАКТЕРИСТИКИ	M18 HCC45
Інструмент для розрізання кабелю	
Номер виробу	4772 37 01... ... 000001-999999
діапазон частот	2402-2480 MHz
потужність радіовипромінювання	1,8 dBm
Напруга знімної акумуляторної батареї	18 V
Номінальна сила	77,8 kN
Область розрізання Залежить від типу кабелю	макс. Ø 44 mm
ACSR: Алюміній-/Сталеві троси Мідь / Алюміній	
Вага згідно з процедурою EPTA 01/2014 (Li-Ion 2,0 Ah...9,0Ah)	6 kg...6,6 kg
Температура навколишнього середовища, рекомендована для експлуатації	-18°C ... +50°C
Рекомендовані акумулятори	M18B...
Рекомендовані зарядні пристрої	M12-18...
Інформація про шум	
Виміряні значення визначені згідно з EN 62841. Рівень шуму „А“ приладу становить в типовому випадку:	
Рівень звукового тиску (похибка K = 3 дБ(A))	76,9 dB(A)
Рівень звукової потужності (похибка K = 3 дБ(A))	87,9 dB(A)
Використовувати засоби захисту органів слуху!	
Інформація щодо вібрації	
Сумарні значення вібрації (векторна сума трьох напрямків), встановлені згідно з EN 62841.	
Значення вібрації _a , похибка K =	1,2 m/s ² 1,5 m/s ²



Опис пристрою

- | | |
|-----------------------------------|---------------------------------------|
| ① Переднє лезо | ⑦ Світлодіод |
| ② Важелі для розжимання лещат | ⑧ Курок розблокування |
| ③ Заднє лезо | ⑨ Пусковий курок |
| ④ Фіксувальний штифт леза | ⑩ Додаткова рукоятка |
| ⑤ Підвісний кронштейн | ⑪ 5 mm гвинти з шестигранною голівкою |
| ⑥ Ручка ізольована поверхня ручки | ⑫ Акумуляторна батарея |
| | ⑬ Індикатор ONE KEY |

⚠ ПЕРЕПРЕДЖЕННЯ Ознайомтеся з усіма вказівками щодо техніки безпеки, інструкціями, ілюстраціями та відомостями, що було надано разом із приладом. Упущення при дотриманні вказівок з техніки безпеки та інструкцій можуть призвести до ураження електричним струмом, пожежі та/або тяжких травм.
Зберігайте всі вказівки з техніки безпеки та інструкції на майбутнє.

⚠ ПРАВИЛА ТЕХНІКИ БЕЗПЕКИ ПРИ РОБОТІ З ІНСТРУМЕНТОМ ДЛЯ РОЗРІЗАННЯ КАБЕЛЮ

Для зниження ризику вибуху, ураження електричним струмом чи пошкодження майна й обладнання в жодному разі не розрізайте під'єднані до мережі електричні кабелі. Інструмент НЕ має ізоляції.

Тримайте руки та вільний одяг на безпечній відстані від різальних інструментів і інших рухомих частин. Існує небезпека тяжких травм, в тому числі відокремлення кінцівок.

Радимо використовувати захисний одяг, як наприклад маску для захисту від пилу, захисні рукавиці, міцне та нековзне взуття, каску та засоби захисту органів слуху.

Використовуйте індивідуальні засоби захисту. Під час роботи з кабелерізом завжди носіть захисні окуляри.

Вживайте заходи безпеки, щоб уникнути випадкового увімкнення кабелеріза. Перед під'єднанням знімого акумулятора переконайтеся в тому, що пусковий курок зафіксовано стрілковим замком.

У жодному разі не тримайте кабелеріз за різак.

Перед використанням завжди перевіряйте різак на наявність тріщин чи інших ознак зношення.

ПОПЕРЕДЖЕННЯ!

Рівень вібрації, вказаний в цій інструкції, вимірювався згідно з методом вимірювання, нормованим стандартом EN 62841, і може використовуватися для порівняння електроінструментів. Він призначений також для попередньої оцінки навантаження від вібрації.

Вказаний рівень вібрації відповідає основним сферам використання електроінструменту. Але якщо електроінструмент використовується для іншої мети, з іншими вставними інструментами або при недостатньому технічному обслуговуванні, рівень вібрації може бути іншим. Це може значно підвищити навантаження від вібрації за весь період роботи.

Для точної оцінки навантаження від вібрації необхідно також враховувати час, коли прилад вимкнений або увімкнений, але фактично не використовується. Це може значно зменшити навантаження від вібрації за весь період роботи.

Визначте додаткові заходи безпеки для захисту оператора від дії вібрації, наприклад: Технічне обслуговування електроінструменту та вставних інструментів, зігрівання рук, організація робочих процесів.



Використовуйте кабелеріз, знімний акумулятор і зарядний пристрій, лише якщо вони мають бездоганний технічний стан. Пошкодження негайно усунути в авторизованій спеціальній майстерні.

Перед будь-якими роботами на приладі виїняти змінну акумуляторну батарею.

Кабелеріз можна використовувати лише зі встановленим різальним інструментом.

Перед розрізанням виймайте будь-які регулювальні інструменти та ключі.

Щоб уникнути травм та пошкодження майна, в жодному разі не опускайте інструмент, знімний акумулятор і зарядний пристрій у рідину та не допускайте проникнення рідини всередину цих пристроїв.

Тримайте кабелеріз обома руками.

Знімні акумуляторні батареї системи M18 заряджати лише зарядними пристроями системи M18. Не заряджати акумуляторні батареї інших систем.

Не відкривати знімні акумуляторні батареї і зарядні пристрої та зберігати їх лише в сухих приміщеннях. Беретти від вологи.

Для запобігання небезпеці пожежі в результаті короткого замикання, травмам і пошкодженню виробів не занурюйте інструмент, знімний акумулятор або зарядний пристрій у рідину і не допускайте потрапляння рідини всередину пристроїв або акумуляторів. Корозійні і струмопровідні рідини, такі як солоний розчин, певні хімікати, вибухові засоби або продукти, що їх містять, можуть призвести до короткого замикання.

ПОПЕРЕДЖЕННЯ



Пристрій використовує кнопковий/плаский круглий літійовий акумулятор. Новий або використаний акумулятор може спричинити сильні внутрішні опіки та призвести до смерті протягом 2 годин у разі проковтування чи потрапляння в організм. Завжди закріплюйте кришку акумуляторного відсіку. Якщо вона не закривається надійно, зупиніть пристрій, виїміть акумулятор і зберігайте його в недоступному для дітей місці. Якщо ви вважаєте, що людина проковтнула акумулятор чи що акумулятор іншим шляхом потрапив в організм, зверніться за терміновою медичною допомогою.

ЗАЛИШКОВІ НЕБЕЗПЕКИ

Перед початком процесу розрізання необхідно заблокувати доступ до місця проведення робіт згідно з місцевими нормами. Допускається розрізання лише тих кабелів, які були від'єднані від джерела живлення!

Кабелі та троси не повинні піддаватися дії механічних сил. Невиконання цієї інструкції може призвести до тяжких травм, смерті, пожежі чи іншого пошкодження майна внаслідок ураження електричним струмом, вибуху та/або виникнення електричної дуги.

Носити захисні окуляри.

ВИКОРИСТАННЯ ЗА ПРИЗНАЧЕННЯМ

Кабельний ніж призначений для розрізання знеструмлених ізолюваних кабелів із міді, суцільного алюмінію чи алюмінію зі сталевю сердцевиною, а також сталевих тросів (залежно від типу кабелю).

Розрізання чи розділення кабелів і тросів за допомогою цього кабельного ножа може виконуватися лише особами, ознайомленими з правилами поводження з електроінструментами.

Оператор кабелеріза повинен проходити інструктаж стосовно особливих ризиків, пов'язаних із використанням цього інструмента, та стосовно необхідних заходів безпеки. Інструктаж проводиться перед першим використанням інструменту та в подальшому щонайменше раз на рік. Компанія, що експлуатує пристрій, зобов'язана:

- надати оператору посібник із експлуатації;
- та переконатися в тому, що оператор прочитав і прийняв до уваги інформацію, викладену в посібнику.



ПОПЕРЕДЖЕННЯ Ознайомтеся з усіма вказівками щодо техніки безпеки, інструкціями, ілюстраціями та відомостями, що було надано разом із приладом.

Упущення при дотриманні вказівок з техніки безпеки та інструкцій можуть призвести до ураження електричним струмом, пожежі та/або тяжких травм.

Зберігайте всі вказівки з техніки безпеки та інструкції на майбутнє.

ВИКОРИСТАННЯ

Облаштування робочої зони

Перед початком робіт необхідно перевірити знеструмленість дротів або тросів і підтримувати їх у знеструмленому стані під час виконання робіт.

Якщо неможливо переконатися у від'єднанні кабелю чи ізолюваної лінії від живлення, виконання робіт заборонено.

Обов'язково дотримуйтеся місцевих правил безпеки та норм.

Кабелі та троси не повинні піддаватися дії механічних сил і за необхідності повинні бути зафіксовані, щоб уникнути неконтрольованого переміщення після розрізання.

Бережіть інструменти від дощу. Не використовуйте інструменти у вологому чи вогкому середовищі.

Підготовка кабелеріза й акумулятора

Перед кожним використанням виконуйте вказані нижче дії.

- Перевірте кабелеріз на наявність зовнішніх пошкоджень
- Перевірте різальний інструмент на наявність тріщин або інших ознак зношення

Використовуйте інструменти лише в бездоганному технічному стані!

Перед початком процесу розрізання необхідно перевірити заряд акумулятора: він повинен становити щонайменше 33 % (див. ілюстрований опис).

Перед початком роботи може бути необхідно зарядити акумулятор.

Підготовка до розрізання

Розташуйте кабелі чи троси на опорі та зафіксуйте їх, щоб знизити ризик неконтрольованого переміщення.

Зокрема, дроти та троси, що вільно висять, можуть неконтрольовано переміщуватися, що може спричинити поранення та/або пошкодження майна.

Різальна голівка повинна розташовуватися під кутом 90° до кабелю чи троса, щоб вони проходили в отворі різального інструменту без натягу, що дозволить уникнути небажаних зусиль при розрізанні.




ПОПЕРЕДЖЕННЯ: Для зниження ризику вибуху, ураження електричним струмом чи пошкодження майна й обладнання в жодному разі не розрізайте під'єднані до мережі електричні кабелі.

Інструмент НЕ має ізоляції. Контакт із контуром під напругою може призвести до важких травм чи смерті. Перед розрізанням вимкніть живлення. У жодному разі не розрізайте газо- чи водопроводи. Тримайте руки на безпечній відстані від різальних кромок і рухомих деталей. Можливі глибокі порізи чи відривання кінцівок.

Перед заміною чи видаленням допоміжного приладдя завжди виймайте акумулятор. Використовуйте допоміжне приладдя, спеціально рекомендоване для цього інструмента. Інше приладдя може бути небезпечним.

Для зниження ризику травмування носіть захисні окуляри чи окуляри з боковими щитками.

 **ПОПЕРЕДЖЕННЯ:** Щоб уникнути травмування, розрізайте лише ті матеріали, які відповідають лезам пристрою. (див. розділ «Специфікації») Не намагайтеся розрізати інші матеріали.

Розрізання

- Перед розрізанням переконайтеся в тому, що леза встановлено правильно.
 - 1. Спрямуйте кабель до різальної поверхні кабельного ножа під прямим кутом. Не намагайтеся виконувати кутові розрізи, оскільки це призведе до пошкодження заготовки та лез.
 - 2. Міцно візьміться за ручки.
- Натисніть і утримуйте пусковий курок від час роботи. Під час натискання курка горить світлодіодний індикатор. Після розрізання чи після вимкнення інструмента відпустіть пускову кнопку та натисніть зворотній викидач, щоб відкрити різальний інструмент.
- Примітка: Під час розрізання заготовка може трохи зсуватися.

Дії в разі збоїв

- Якщо є імовірність того, що після розрізання кабель знаходиться під напругою, завжди повідомляйте про це відповідального за безпеку, зупиняйте процес розрізання та вживайте відповідні заходи безпеки
- Завжди переконайтеся в тому, що пристрій є та залишається знеструмленим, перш ніж наблизитися та торкатися його
- Натисніть і утримуйте кнопку скидання, доки різальний пристрій не відкриється повністю
- Перевірте заряд акумулятора
- Перевірте матеріал та його товщину згідно з технічними специфікаціями
- Якщо є підозра стосовно того, що було розрізано кабель під напругою, кабелеріз необхідно передати для огляду в уповноважену спеціалізовану майстерню

Заклинювання лез

- Бруд і сторонні частки можуть призводити до заклинювання лез після розрізання
- Натисніть і утримуйте курок розблокування, щоб повернути інструмент у початковий стан.
 - Вийміть акумулятор.
 - Щоб відкрити різальний інструмент, дотримуйтеся ілюстрованого опису
 - Перед початком нового процесу розрізання видаліть бруд і сторонні частки з лез.

Поради щодо розрізання

- Не намагайтеся виконувати кутові розрізи, оскільки це призведе до пошкодження заготовки та лез.

- Для подовження строку служби лез розрізайте чистий матеріал. Перед початком розрізання витрийте з матеріалу та лез бруд і сторонні частки.

ОБСЛУГОВУВАННЯ

Перед будь-якими роботами на приладі виньте змінну акумуляторну батарею.

У жодному разі не відкривайте кабелеріз, знімний акумулятор чи зарядний пристрій.

Перевіряйте кабелеріз на наявність будь-яких проблем, таких як шуми чи заклинювання рухомих деталей, що може впливати на роботу інструмента.

Перевірте різальні інструменти на наявність тріщин або інших ознак зношення.

Після завершення робіт очищайте та змачуйте різальні інструменти.

Перевіряйте гострість різальних кромок і замінійте зношені різки.

Замінійте леза, якщо вони мають щербини чи пошкодження. Завжди замінійте леза повним комплектом. Використовуйте лише леза MILWAUKEE.

Переконайтеся в тому, що різальні інструменти рухаються вільно.

Щоб уникнути травм та пошкодження майна, в жодному разі не опускайте інструмент, знімний акумулятор і зарядний пристрій у рідину та не допускайте проникнення рідини всередину цих пристроїв.

Завжди підтримувати чистоту вентиляційних отворів.

Прилад містить гідравлічну оливу, яка небезпечна для ґрунтових вод. Неконтрольоване зливання або неналежна утилізація караються.

Обслуговування пристрою необхідно виконувати раз на шість–дванадцять місяців залежно від використання.

Детальну інформацію про інтервали обслуговування можна отримати за допомогою додатка ONE-KEY.

Роботи з технічного обслуговування та ремонту можуть виконувати тільки авторизовані спеціалізовані центри.

Використовувати тільки комплектуючі та запчастини Milwaukee. Деталі, заміна яких не описується, замінювати тільки в відділі обслуговування клієнтів Milwaukee (зверніть увагу на брошуру „Гарантія / адреси сервісних центрів“).

У разі необхідності можна запросити креслення з зображенням вузлів машини в перспективному вигляді, для цього потрібно звернутися в ваш відділ обслуговування клієнтів або безпосередньо в Techtronic Industries GmbH, Max-Eyth-Strasse 10, 71364 Winnenden, Німеччина, та вказати тип машини та шестизначний номер на фірмовій таблиці з даними машини.

ONE-KEY™

Додаткову інформацію щодо функції ONE-KEY цього інструмента див. в наданому короткому посібнику щодо початку роботи або на нашому інтернет-сайті <http://www.milwaukeeool.com/one-key>.

Можна завантажити застосунок ONE-KEY через App Store або Google Play на ваш смартфон.

У разі виникнення електростатичного розряду Bluetooth-зв'язок буде перервано, а інтерфейс застосунку буде закрито. Не використовуйте застосунок протягом наступних 45 с. Через 45 с перезавантажте застосунок, щоб відновити роботу. Ми сподіваємося, що результат буде знаходитися в межах мінімальної прийнятної продуктивності відповідно до EN 301489-1/EN 301489-17. Ми надамо замовнику інструкції з експлуатації в посібнику користувача.



АКУМУЛЯТОРНІ БАТАРЕЇ

Температура понад 50 °C зменшує потужність змінної акумуляторної батареї. Уникати тривалого нагрівання сонячними променями або системою обігріву.

З'єднувальні контакти зарядного пристрою та змінної акумуляторної батареї повинні бути чистими.

Для забезпечення оптимального строку експлуатації акумуляторної батареї після використання необхідно повністю зарядити. Змінну акумуляторну батарею, що не використовувалася тривалий час, перед використанням необхідно підзарядити.

Для забезпечення максимально можливого терміну експлуатації акумуляторної батареї після зарядки необхідно виймати з зарядного пристрою.

При зберіганні акумуляторної батареї понад 30 днів, Зберігати акумуляторну батарею при температурі приблизно 27 °C в сухому місці. Зберігати акумуляторну батарею в стані зарядки приблизно 30-50 %. Кожні 6 місяців знову заряджати акумуляторну батарею.

Відпрацьовані змінні акумуляторні батареї не можна кидати у вогонь або викидати з побутовими відходами. Milwaukee пропонує утилізацію старих змінних акумуляторних батарей, безпечну для довкілля; зверніться до свого дилера.

Не зберігати змінні акумуляторні батареї разом з металевими предметами (небезпека короткого замикання).



UKP

ТРАНСПОРТУВАННЯ ЛІТІЙ-ІОННИХ АКУМУЛЯТОРНИХ БАТАРЕЙ

Літій-іонні акумуляторні батареї підпадають під законоположення про перевезення небезпечних вантажів.

Транспортування таких акумуляторних батарей повинно відбуватися із дотриманням місцевих, національних та міжнародних приписів та положень.

споживачі можуть без проблем транспортувати ці акумуляторні батареї по вулиці.

Комерційне транспортування літій-іонних акумуляторних батарей експедиторськими компаніями підпадає під положення про транспортування небезпечних вантажів.

Підготовку до відправлення та транспортування можуть здійснювати виключно особи, які пройшли відповідне навчання. Весь процес повинні контролювати кваліфіковані фахівці.

При транспортуванні акумуляторних батарей необхідно дотримуватись зазначених далі пунктів:

Переконайтеся в тому, що контакти захищені та ізольовані, щоб запобігти короткому замиканню. Слідкуйте за тим, щоб акумуляторна батарея не переміщувалася всередині упаковки. Пошкоджені акумуляторні батареї, або акумуляторні батареї, що потекли, не можна транспортувати. Для отримання подальших вказівок звертайтеся до своєї експедиторської компанії.

СЕРТИФІКАТ ВІДПОВІДНОСТІ ВИМОГАМ ЄС

Ми заявляємо на власну відповідальність, що виріб, описаний в „Технічних даних“, відповідає всім застосовним положенням директиви

2011/65/EU RoHS, 2006/42/EC, 2014/53/ EU

та наступним гармонізованим нормативним документам:

EN 62841-1:2015

EN 62479:2010

EN 55014-1:2017+A11:2020

EN 55014-2:2015

EN 301 489-1 V2.2.3

EN 301 489-17 V3.1.1

EN 300 328 V2.2.2

EN IEC 63000:2018



Winnenden, 2021-04-07

Alexander Krug / Managing Director
Уповноважений із складання технічної документації.
Techtronic Industries GmbH
Max-Eyth-Straße 10, 71364 Winnenden, Germany

СИМВОЛИ



Уважно прочитайте інструкцію з експлуатації перед введенням приладу в дію.



ПОПЕРЕДЖЕННЯ!
Небезпека травмування при відлітанні частин матеріалу



Під час роботи з машиною завжди носити захисні окуляри.



Пристрій використовує кнопковий/плаский круглий літійовий акумулятор.



Небезпека ураження електричним струмом



УВАГА! ПОПЕРЕДЖЕННЯ! НЕБЕЗПЕЧНО!



Перед будь-якими роботами на приладі вийняти змінну акумуляторну батарею.



Тримайте руки на безпечній відстані від різальних інструментів і інших рухомих частин. Пальці можуть потрапити в різальний механізм, який може відірвати або травмувати їх.



Комплектуючі - не входять в обсяг постачання, рекомендовані доповнення з програми комплектуючих.



Електроприлади, батареї/акумулятори заборонено утилізувати разом з побутовим сміттям. Електричні прилади і акумулятори слід збирати окремо і здавати в спеціалізовану компанію для утилізації відповідно до норм охорони довкілля. Зверніться до місцевих органів або до вашого дилера, щоб отримати адреси пунктів вторинної переробки та пунктів прийому.



Напруга



Постійний струм



Європейський знак відповідності



Британський знак відповідності



Український знак відповідності



Євроазіатський знак відповідності

Українська

نقل بطاريات الليثيوم

تخضع بطاريات الليثيوم أيون لشروط قوانين نقل السلع الخطرة.

ويجب نقل هذه البطاريات وفقاً للأحكام والقوانين المحلية والوطنية والدولية.

يمكن للمستخدم نقل البطاريات برأ دون الخضوع لشروط أخرى.

يخضع النقل التجاري لبطاريات الليثيوم أيون عن طريق الغير إلى قوانين نقل السلع الخطرة. يتعين أن يقوم أفراد مديون جيداً بالإعداد لعملية النقل والقيام بها بصحبة خبراء مثلهم.

متى تُنقل البطاريات:

عند التأكد من حماية أطراف توصيل البطارية وعزلها تجنباً لحدوث قصر بالدائرة. عند التأكد من حماية حزمة البطارية من الحركة داخل صندوق التعبئة. يُرجى عدم نقل البطاريات التي بها تشققات أو تسربات. يُرجى البحث مع شركة الشحن عن نصيحة أخرى

إعلان المطابقة - الاتحاد الأوروبي

نحن نعلن تحت مسؤوليتنا وحدنا أن المنتج المعين تحت اسم "البطاريات الفنية" يستوفي جميع الأحكام ذات الصلة ضمن التوجيهات

2011/65/EU RoHS, 2006/42/EG, 2014/53/ EU

والمعايير المتسقة التالية

EN 62841-1:2015

EN 62479:2010

EN 55014-1:2017+A11:2020

EN 55014-2:2015

EN 301 489-1 V2.2.3

EN 301 489-17 V3.1.1

EN 300 328 V2.2.2

EN IEC 63000:2018



2021-04-07 ,Winnenden

Alexander Krug

Alexander Krug / Managing Director

معتمدة للمطابقة مع الملف الفني

Techronic Industries GmbH

Max-Eyth-Straße 10, 71364 Winnenden,

Germany

الرموز

يرجى قراءة التعليمات بعناية قبل بدء تشغيل الجهاز.



تحذير!

خطر الإصابة من الشظايا المتطايرة



ارتد دائماً نظارات الوقاية عند استخدام الجهاز.



يحتوي هذا الجهاز على بطارية من خلايا الليثيوم

على شكل عملة معدنية/أزرار.



خطر التعرض لصعقة كهربائية



تنبيه! تحذيراً خطراً!



انزع البطارية قبل التعامل مع الجهاز.



احرص على إبعاد يديك عن أدوات القطع وما عداها من الأجزاء المتحركة. يمكن أن تنزلق الأصابع داخل الية القطع وتعرض للقطع أو الإصابة.



الملحق - ليس مدرجاً كمعدة قياسية، متوفر كملحق.



يحظر التخلص من الأجهزة الكهربائية والبطاريات/البطاريات القابلة للشحن في القمامة المنزلية. يجب جمع الأجهزة الكهربائية والبطاريات القابلة للشحن منفصلة وتسليمها للتخلص منها بشكل لا يضر للبيئة لدى شركة إعادة استغلال. الرجاء الاستفسار لدى الهيئات المحلية أو لدى التجار المتخصصين عن مواقع إعادة الاستغلال ومواقع الجمع.



الجهد الكهربائي V



التيار المستمر



علامة التوافق الأوروبية



علامة التوافق البريطانية



علامة التوافق الأوكرانية



علامة التوافق الأوروبية الآسيوية



⚠ تحذير: للحد من خطر الإصابة، اقطع فقط المواد الموصى بها للشفرات. (انظر „المواصفات“) لا تحاول قطع مواد أخرى.

القطع

تحقق من أن أدوات القطع تتحرك بحرية. لتجنب الإصابة والتلف، لا تغمر الأداة أو البطارية القابلة للإزالة أو الشاحن في سائل أو تسمح للسائل باختراقها. يجب أن تكون فتحات تهوية الجهاز نظيفة طوال الوقت. تحتوي الآلة على سائل هيدروليكي. تشكل السوائل الهيدروليكية خطورة على المياه الجوفية. ويعاقب القانون على التصريف غير المراقب أو التخلص غير الملائم من النفايات.

يجب صيانة الجهاز كل ستة إلى اثني عشر شهراً، وفقاً للاستخدام.

يمكنك معرفة المزيد حول الفترات الزمنية للصيانة عبر تطبيق ONE-KEY.

قد يقوم بالخدمة وأعمال التصليح ورش عمل مخصصة ومعمّدة فقط.

استخدم فقط ملحقات ميلوكي وكذلك قطع غيار ميلوكي.

إذا كانت المكونات التي يجب تغييرها غير مذكورة، يرجى الاتصال بأحد عملاء صيانة ميلوكي (انظر قائمة عناوين الضمان/الصيانة الخاصة بنا).

عند الحاجة يمكن طلب رمز انفجار الجهاز بعد ذكر طراز الآلة والرقم التسلسلي المذكور على بطاقة طاقة الآلة لدى جهة خدمة العملاء أو مباشرة لدى شركة

Techtronic Industries GmbH

Max-Eyth-Straße 10, 71364 Winnenden

المانيا

™ONE-KEY

لمعرفة المزيد حول عمل خاصية „المفتاح الواحد“ المزودة بها هذه الماكينة، اقرأ الدليل المختصر المرفق أو تفضل بزيارة موقع الإنترنت

<http://www.milwaukee.com/one-key>

يمكنك تحميل تطبيق „المفتاح الواحد“ عن طريق App Store أو Google Play على هاتفك الذكي.

عند حدوث تفرغ الكترولستاتي، سيتم فصل اتصال البلوتوث وسيتم الخروج من واجهة التطبيق. وسيصبح التطبيق عديم الاستخدام في غضون 45 ثانية. بعد 45 ثانية، ستحتاج إلى إعادة ضبط التطبيق لاسترداده. اعتدنا أن النتيجة ضمن الحد الأدنى لمستوى الأداء الذي نقبله وفقاً للمواصفات EN 301489-1/ EN 301489-17. وسنقدم إرشادات التشغيل للعميل في دليل المستخدم.

البطاريات

تقل درجات الحرارة التي تتجاوز 50° سيلزيوس (122° فهرنهايت) من أداء البطارية. تجنب التعرض الزائد للحرارة أو أشعة الشمس (خطر التسخين).

يجب الحفاظ على محتويات الشواحن والبطاريات نظيفة. للحصول على فترة استخدام مثالية، يجب شحن البطاريات تماماً، بعد الاستخدام. يجب إعادة شحن البطارية غير المستخدمة لفترة قبل الاستخدام.

للحصول على أطول عمر ممكن للبطارية، انزع البطارية من الشاحن بمجرد شحنها تماماً.

لتخزين البطارية أكثر من 30 يوم: خزن البطارية بحيث تكون درجة الحرارة أقل من 27° سيلزيوس وبعداً عن أي رطوبة. خزن البطارية مشحونة بنسبة تتراوح بين 50% - 30، اشحن البطارية كالمعتاد، وذلك كل ستة أشهر من التخزين.

لا تتخلص من البطاريات المستعملة مع النفايات المنزلية أو بحرقها. يقدم مزور ميلوكي خدمة استعادة البطاريات القديمة لحماية البيئة.

لا تقم بتخزين البطارية مع الأشياء المعدنية (خطر قصر الدائرة).

قبل القطع، تأكد من تركيب الشفرات بشكل صحيح. 1. مد الكابل بزوايا قائمة إلى شفرات قاطعة الكابلات. لا تحاول إجراء عمليات قطع زاوية لأن ذلك سيؤدي إلى تلف قطعة العمل والشفرات.

2. اسحب الزناد مع الاستمرار طوال العملية. أمسك المقبض (المقابض) بإحكام. حرك ا سيضاء مؤشر LED عندما يتم سحب الزناد. عندما يتم القطع أو تتوقف الأداة عن العمل، أعد إطلاق زر التشغيل واضغط على زر الإرجاع، حتى يتم فتح فكوك القطع. ملاحظة: قد تتحرك قطعة العمل قليلاً أثناء القطع.

الإجراء الواجب اتباعه في حالة حدوث أخطاء

• يمكن أن يكون الكابل مقطوعاً وموصلاً للجهد، دائماً أبلغ متعهد الأمان بإيقاف عملية القطع واتخاذ إجراءات أمان مناسبة

• تأكد دائماً أن الجهاز مفصولاً ومن أنه سيظل مفصولاً عن مصدر الإمداد بالطاقة قبل الاقتراب من الجهاز ولمسه

• اضغط مع الاستمرار على زر إعادة الضبط حتى يفتح القاطع بالكامل

• تحقق من سعة البطارية

• تحقق من المادة ومن سمك المادة بناءً على البيانات التقنية

• في حالة الاشتباه في قطع كابل مشحون بالتيار الكهربائي، فيجب فحص قاطع الكابلات في ورشة عمل متخصصة ومعمّدة

الشفرات المصحورة

يمكن أن تتسبب الأوساخ والبقايا في انحشار الشفرات معاً بعد القطع

• اضغط مع الاستمرار على زناد التحرير للتأكد من إعادة ضبط الأداة.

• قم بإزالة حزمة البطارية.

• اتبع الشرح المصوّر لفتح فكوك القطع

• نظّف أية أوساخ وبقايا من الشفرات قبل بدء عملية قطع أخرى.

نصائح القطع

• لا تحاول إجراء عمليات قطع زاوية لأن ذلك سيؤدي إلى تلف قطعة العمل والشفرات.

• اقطع مواد نظيفة لتمديد عمر الشفرة. امسح الأوساخ والبقايا الناتجة عن المواد والشفرات قبل بدء عملية القطع.

الصيانة

انزع البطارية قبل التعامل مع الجهاز.

لا تفتح أبداً قاطع الكابلات أو البطارية القابلة للإزالة أو الشاحن.

تحقق من قاطع الكابلات للتأكد من عدم وجود أية مشكلات مثل ضوضاء أو انحشار الأجزاء المتحركة التي يمكن أن تؤثر على الأداة

تحقق من أدوات القطع للتأكد من عدم وجود شقوق وأية علامات أخرى للتآكل.

عند الانتهاء من العمل، نظف أدوات القطع وقم بتشحيمها.

تحقق من أن شفرات القطع حادة واستبدل فكوك القطع المتآكلة.

استبدل الشفرات عندما تصبح مكسورة أو تالفة. استبدل دائماً الشفرات كمجموعة واحدة. لا تستخدم سوى شفرات

MILWAUKEE.

استخدم فقط شواحن System M18 لشحن بطاريات System M18. لا تستخدم بطاريات من أنظمة أخرى.

لا تقم أبداً بفتح قفل البطارية والشواحن ولا تخزنهم إلا في غرف جافة. وحافظ عليها جافة طوال الوقت.

تحذيراً لتجنب أخطار الحريق أو الإصابة أو الإضرار بالمنتج التي تنجم عن تماس الكهرباء، لا تغمر الأداة أو البطارية القابلة للاستبدال أو جهاز الشحن في السوائل وأحرص على أن لا تصل السوائل إلى داخل الجهاز والبطارية. السوائل المؤدية للتآكل أو الموصلة للتيار الكهربائي، مثل الماء والمالح ومركبات كيميائية معينة ومواد التبييض أو المنتجات التي تشتمل على مواد تبيض، يمكن أن تؤدي إلى حدوث ماس كهربائي.

تحذير

يحتوي هذا الجهاز على بطارية من خلايا الليثيوم على شكل عملة معدنية/أزرار. قد تتسبب البطارية الجديدة أو المستخدمة في حرائق داخلية عديدة وتؤدي إلى الوفاة في أقل من ساعتين في حالة بلعها أو دخولها الجسم. احرص على تثبيت الغطاء بمقصورة البطارية دوماً. وفي حالة عدم إغلاقه بإحكام، أوقف الجهاز، وأزل البطارية واحتفظ بها بعيداً عن متناول الأطفال. إذا كنت تعتقد أن شخصاً ما قد بلع البطارية أو أنها دخلت إلى الجسم، فاطلب العناية الطبية الفورية.



تجهيز قاطع الكابلات والبطارية

قبل كل استخدام:

- افحص قاطع الكابلات للتأكد من عدم وجود عيوب خارجية
- تحقق من أداة القطع للتأكد من عدم وجود شقوق وأي علامات أخرى للتآكل

لا تستخدم الجهاز إلا وهو في حالة ممتازة!

قبل بدء عملية القطع، يجب التحقق من سعة البطارية: بحد أدنى 33% (انظر الوصف الموضح).

قد تتطلب الشحن قبل بدء العمل.

المخاطر المتبقية

قبل بدء عملية القطع، يجب حظر دخول منطقة العمل وفقاً للوائح المحلية.

لا تقطع سوى الكابلات التي تم فصلها عن مصدر الإمداد بالطاقة!

يجب ألا تتعرض الكابلات والحوابل لأي قوى ميكانيكية.

يمكن أن يؤدي عدم الامتثال لهذه التعليمات إلى إصابات خطيرة ووفاة وحرائق وتلف للممتلكات كنتيجة للصدمة الكهربائية أو الانفجار أو الأقواس الكهربائية أو جميع ما سبق.

ارتد نظارات.

التجهيز لعملية القطع

ادعم وثّبت الكابل أو الحبل المراد قطعه، من أجل تقليل خطر حدوث حركة غير محكومة.

يمكن أن تتحرك الوصلات الحرة والحوابل بشكل خاص بصورة غير مراقبة وتحدث إصابات و/أو أضرار.

يجب أن يُوضع رأس القطع بزاوية 90 درجة على الكابل أو الحبل، بحيث يستقر هذا أو ذلك دون جهد في داخل فكوك القطع المفتوحة ويتم تجنب أية قوى قطع غير مناسبة.



تحذير: للحد من خطر الانفجارات والصدمات الكهربائية وتلف الممتلكات والمعدات، لا تقطع أبداً الكابلات الكهربائية المشحونة بالتيار الكهربائي.

الأداة ليست معزولة. قد يؤدي التلامس مع دائرة مشحونة بتيار كهربائي إلى إصابات شديدة أو الوفاة. أوقف التشغيل قبل إجراء القطع. لا تقطع أبداً خطوط الغاز أو خطوط المياه.

ابتعد يديك عن جميع حواف القطع والأجزاء المتحركة. فقد يحدث لها تمزق أو بتر.

قم دائماً بإزالة حزمة البطارية قبل تغيير الملحقات أو إزالتها. لا تستخدم سوى الملحقات الموصى بها خصيصاً لهذه الأداة. فقد ينطوي استخدام غيرها على خطورة.

للحد من خطر الإصابة، ارتد نظارة واقية أو نظارة مزودة بحاجز حماية جانبي.

شروط الاستخدام المحددة

قطاعة الكابلات مناسبة لقطع الكابلات خالية الجهد من نحاس أو ألومنيوم معزول وحوابل التوصيل من الألومنيوم المقوى بالفولاذ (حبال ألومنيوم/صلب)، وحوابل الصلب، وكل حسب نوع الكابل.

يجب ألا يتم قطع أو فصل الكابلات والحوابل باستخدام قطاعة الكابلات هذه إلا من خلال شخص مدرب على التكنولوجيا الكهربائية.

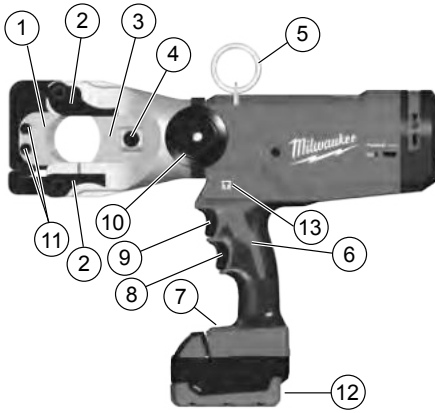
يجب أن يتم تعريف مشغل قاطع الكابلات بالمخاطر المحددة المرتبطة باستخدام قاطع الكابلات هذا ويتدابير السلامة الأساسية قبل العمل به لأول مرة وعلى الأقل مرة واحدة في السنة بعد ذلك.

يجب على شركة التشغيل:

- توفير دليل التشغيل للمشغل
- والتأكد من أن المشغل قرأه وفهمه.



تحذير اقرأ جميع تعليمات السلامة والإرشادات والشروح والبيانات المرفقة مع الجهاز. قد يؤدي الفشل في مراعاة التحذيرات والتعليمات إلى التعرض للإصابة بصدمة كهربائية أو الحريق و/أو إصابات خطيرة. احتفظ بجميع التنبيهات والتعليمات للرجوع إليها مستقبلاً.



M18 HCC45	البيانات الفنية قطعة الكابلات
4772 37 01... ... 000001-999999	إنتاج عدد
2402-2480 MHz	نطاق التردد
1,8 dBm	قدرة التردد الراديوي
18 V	فولطية البطارية
77,8 kN	القوة الاسمية
الحد الأقصى Ø 44 mm	نطاق القطع بناءً على نوع الكابل
	الACS: الألمنيوم-/حبال من الصلب النحاس / الألمنيوم
6 kg... 6,6 kg	الوزن وفقاً لنهج EPTA رقم 01/2014 (Li-Ion 2,0 Ah... 9,0Ah)
-18°C... +50°C	درجة حرارة البيئة المحيطة المنصوح بها من أجل التشغيل
M18B...	البطاريات المنصوح بها
M12-18...	جهاز الشحن المنصوح به

معلومات الضوضاء

القيم التي تم قياسها محددة وفقاً للمعايير الأوروبية EN 62841 مستويات ضوضاء الجهاز، ترجيحاً بشكل نموذجي كالتالي:	
76,9 dB(A)	مستوى ضغط الصوت (الارتياح في القياس = 3 ديسيبل (A))
87,9 dB(A)	مستوى شدة الصوت (الارتياح في القياس = 3 ديسيبل (A))
ارتد و أقيات الأذن!	

معلومات الاهتزاز

قيم الذبذبات الإجمالية (مجموع الكميات الموجهة في المحاور الثلاثة) محددة وفقاً للمعايير الأوروبية EN 62841	
1,2 m/s ²	قيمة انبعاث الذبذبات a _n
1,5 m/s ²	الارتياح في القياس

تحذير!

تم قياس مستوى انبعاث الذبذبات الموجود بوثيقة المعلومات هذه وفقاً للاختبار القياسي وفقاً للمعايير الأوروبية EN 62841 ويمكن استخدامه لمقارنة جهاز بغيره. كما يمكن استخدامه لعرض تقييم تمهيدي.

يمثل مستوى انبعاث الذبذبات المعلن عنه تطبيقات الجهاز الرئيسية. بالرغم من ذلك، فإنه إذا ما تم استخدام الجهاز لتطبيقات مختلفة، بملحقات مختلفة أو لم يتم المحافظة عليه، فقد يختلف انبعاث الذبذبات. قد يزيد ذلك بصورة كبيرة من مستوى التعرض للذبذبات طوال فترة العمل الإجمالية.

يجب الوضع في الاعتبار عند تقدير مستوى التعرض للذبذبات مرات إيقاف الجهاز أو تشغيله لكن دون استخدامه في القيام بمهمة. فقد يقلل ذلك بصورة كبيرة من مستوى التعرض للذبذبات طوال فترة العمل الإجمالية.

تعرف على معايير السلامة الإضافية لحماية المشغل من آثار الذبذبات مثل: صيانة الجهاز والملحقات، الحفاظ على دفع الأيدي، وتنظيم نماذج العمل.

وصف الجهاز

- ① الشفرة الأمامية
- ② أذرع تحرير فك الآلة
- ③ الشفرة الخلفية
- ④ دبوس احتجاز الشفرة
- ⑤ عروة التعليق
- ⑥ المقبض
- ⑦ مؤشر LED
- ⑧ زناد التحرير
- ⑨ الزناد
- ⑩ مقبض إضافي
- ⑪ mm 5 برغي بتجوييف سداسي
- ⑫ البطارية
- ⑬ مؤشر مفتاح واحد

تحذير! اقرأ جميع تعليمات السلامة والإرشادات

والشرح والبيانات المرفقة مع الجهاز. قد يؤدي الفشل في مراعاة التحذيرات والتعليمات إلى التعرض للإصابة بصدمة كهربائية أو الحرق و/أو إصابة خطيرة.
احتفظ بجميع التنبيهات والتعليمات للرجوع إليها مستقبلاً.

تعليمات السلامة المتعلقة بقطعة الكابلات

للحد من خطر الانفجارات والصددمات الكهربائية وتلف الممتلكات والمعدات، لا تقطع أبداً الكابلات الكهربائية المشحونة بالتيار الكهربائي. الأداة ليست معزولة. احرص على إبعاد يديك وملابسك الفضفاضة عن أدوات القطع وما عداها من الأجزاء المتحركة. هناك خطر الإصابة الخطيرة، بما في ذلك قطع الأطراف.

ينصح باستخدام الملابس الواقية مثل الكمامات الواقية من الغبار، والقفازات، والأحذية القوية غير المنزلقة، والخوذات، وواقيات الأذن.

استخدم معدة الوقاية. ارتد دائماً نظارة واقية عند العمل مع قاطع الكابلات.

تجنب التشغيل العرضي لقاطع الكابلات. قبل التوصيل ببطارية قابلة للإزالة، تأكد من تأمين الزناد بفعل المفتاح. لا تمسك أبداً قاطع الكابلات من فكي القطع.

قبل الاستخدام، تحقق دائماً من فكي القطع للتأكد من عدم وجود تشققات وآية علامات أخرى للتآكل.

لا تستخدم قاطع الكابلات والبطارية القابلة للإزالة والشاحن إلا إذا كانوا في حالة ممتازة من الناحية التقنية.

يجب إصلاح الأجزاء التالفة فوراً من خلال ورشة عمل معتمدة. انزع البطارية قبل التعامل مع الجهاز.

لا يجوز استخدام قاطع الكابلات إلا مع إدخال أداة قطع. قم بإزالة أية أدوات ضبط أو مفاتيح ربط قبل إجراء القطع. لتجنب الإصابة والتلف، لا تغمر الأداة أو البطارية القابلة للإزالة أو الشاحن في سائل أو تسمح للسائل باختراقها.

Copyright 2021
Techtronic Industries GmbH
Max-Eyth-Straße 10
71364 Winnenden
Germany
+49 (0) 7195-12-0
www.milwaukeeetool.eu

Techtronic Industries (UK) Ltd
Fieldhouse Lane
Marlow Bucks SL7 1HZ
UK

(04.21)
4931 4258 84