



Husqvarna®



120iBV



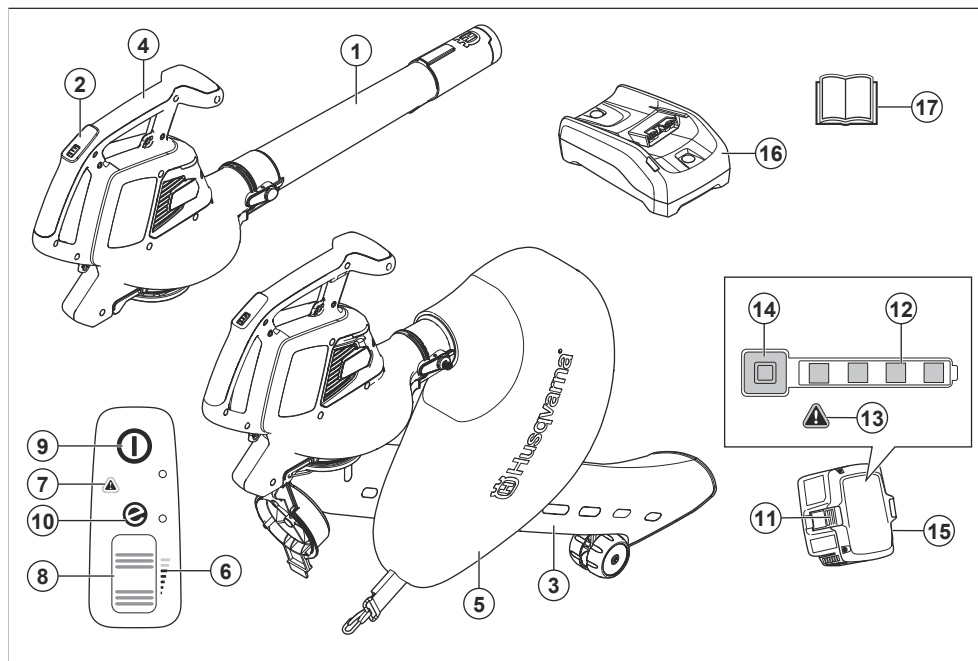
EN	Operator's manual	2-19
BG	Ръководство за експлоатация	20-39
EL	Οδηγίες χρήσης	40-59
IT	Manuale dell'operatore	60-77
DE	Bedienungsanweisung	78-97
FR	Manuel d'utilisation	98-116
NL	Gebruiksaanwijzing	117-134
RO	Instrucțiuni de utilizare	135-152
ES	Manual de usuario	153-170
PT	Manual do utilizador	171-188
TR	Kullanım kılavuzu	189-205
SV	Bruksanvisning	206-222
DA	Brugsanvisning	223-239
NO	Bruksanvisning	240-256
FI	Käyttöohje	257-273
ET	Kasutusjuhend	274-290
LV	Lietošanas pamācība	291-308
LT	Operatoriaus vadovas	309-326
HR	Priručnik za korištenje	327-343
CS	Návod k použití	344-361
SK	Návod na obsluhu	362-379
PL	Instrukcja obsługi	380-398
HU	Használati utasítás	399-416
UK	Посібник користувача	417-435
JA	取扱説明書	436-453

Contents

Introduction.....	2	Troubleshooting.....	14
Safety.....	4	Transportation, storage and disposal.....	15
Assembly.....	8	Technical data.....	16
Operation.....	10	Declaration of Conformity.....	18
Maintenance.....	13		

Introduction

Product overview



- | | |
|-----------------------------------|---|
| 1. Blower tube | 14. Power and warning indicator |
| 2. Keypad | 15. Battery, included in the Husqvarna 120iBV blower kit only |
| 3. Vacuum tube | 16. Battery charger, included in the Husqvarna 120iBV blower kit only |
| 4. Handle | 17. Operator's manual |
| 5. Collection bag | |
| 6. Airflow indicator | |
| 7. Warning indicator (error LED) | |
| 8. Power wheel | |
| 9. Start/stop button | |
| 10. SavE indicator | |
| 11. Battery release button | |
| 12. Battery status | |
| 13. Warning indicator (error LED) | |

Product description

Husqvarna 120iBV is garden blower/vacuum model with an electric motor.

We have a policy of continuous product development and therefore reserve the right to modify the design and the appearance of the products without prior notice.

Intended use

Blower mode: The blower is designed for blowing dirt particles or grass cuttings away from paths, driveways, courtyards and the like. It is also designed for blowing grass cuttings, straw or leaves to create piles, or to remove dirt particles from corners, joints or gaps between tiles or bricks.

Vacuum mode: The vacuum is designed for vacuuming dry material. It includes leaves, grass, small twigs, and bits of paper.

Symbols on the product



WARNING: This product can be dangerous and cause serious injury or death to the operator or others. Be careful and use the product correctly.



Read the operator's manual carefully and make sure that you understand the instructions before you use this product.



Use approved eye protection.



Rated voltage, V



Direct current.



Noise emission to the environment label as per EU and UK directives and regulations, and New South Wales legislation "Protection of the Environment Operations (Noise Control) Regulation 2017". The guaranteed sound power level of the product is specified in *Technical data on page 16* and on the label.



Disconnect the battery before maintenance.



The product or package of the product is not domestic waste. Recycle it at a recycling station for electrical and electronic equipment.



The product agrees with the applicable EC directives.



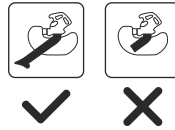
This product conforms to the applicable UK regulations.



Do not expose to rain.



Wait until the rotor blades stop after switching off the product.



Only use the product in vacuum mode when the tube is completely assembled.



The blower operator must ensure that no people or animals come closer than 15 metres. When several operators are working at the same site a safety distance of at least 15 metres must be in effect. The blower can forcibly throw objects that can bounce back. This can result in serious eye injuries if the recommended safety equipment is not used.

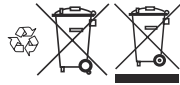


yyyy wwxxxx

The rating plate shows serial number. **yyyy** is the production year, **ww** is the production week.

Note: Other symbols/decals on the attachment refer to special certification requirements for certain markets.

Symbols on the battery and/or on the battery charger



Recycle this product at a recycling station for electrical and electronic equipment. (Applies to Europe only)



Fail-safe transformer.



Use and keep the battery charger indoors only.



Double insulation.

Manufacturer

Husqvarna AB

Drottninggatan 2, SE-561 82 Huskvarna

Product damage

We are not responsible for damages to our product if:

- the product is incorrectly repaired.
- the product is repaired with parts that are not from the manufacturer or not approved by the manufacturer.
- the product has an accessory that is not from the manufacturer or not approved by the manufacturer.
- the product is not repaired at an approved service center or by an approved authority.

Safety

Safety definitions

Warnings, cautions and notes are used to point out specially important parts of the operator's manual.



WARNING: Used if there is a risk of injury or death for the operator or bystanders if the instructions in the manual are not obeyed.



CAUTION: Used if there is a risk of damage to the product and/or the attachment, other materials or the adjacent area if the instructions in the manual are not obeyed.

Note: Used to give more information that is necessary in a given situation.

General safety instructions



WARNING: Read the warning instructions that follow before you use the product.

- Read the instructions carefully to know the controls and the correct operation of the machine. Incorrect or careless use of the product can turn it into a dangerous tool that can cause serious or even fatal injury to the operator or others.
- Under no circumstances may the design of the product be modified without the permission of the manufacturer. Never use a product that has been modified in any way from its original specification and always use original accessories. Non-authorized modifications and/or accessories can result in serious personal injury or the death of the operator or others. Your warranty may not cover damage or liability caused by the use of non-authorized accessories or replacement parts.
- This product produces an electromagnetic field during operation. This field may under some

circumstances interfere with active or passive medical implants. To reduce the risk of serious or fatal injury, we recommend persons with medical implants to consult their physician and the medical implant manufacturer before operating this product.

- Remove the battery from the product during charging.

General power tool safety warnings

Check before starting

- Inspect the working area. Remove all loose objects, such as stones, broken glass, nails, steel wire, string etc. that could be thrown out.
- Always remove the battery to prevent the machine being started by accident. Always disconnect the battery before any maintenance on the machine.
- Before using the machine and after any impact, check for signs of wear or damage and repair as necessary.
- Only use original spare parts.
- The machine operator must ensure that no people or animals come closer than 15 metres while working. When several operators are working in the same area the safety distance should be at least 15 metres.
- Do an overall inspection of the machine before use, see maintenance schedule.
- National or local regulations may regulate the use. Comply to given regulations.

Personal safety

- **Stay alert, watch what you are doing and use common sense when operating a power tool. Do not use a power tool while you are tired or under the influence of drugs, alcohol or medication.** A moment of inattention while operating power tools may result in serious personal injury.
- Keep bystanders away.
- This appliance is not intended for use by person (including children) with reduced physical, sensory or mental capabilities, or lack of experience and knowledge, unless they have been given supervision

or instruction concerning use of the appliance by a person responsible for their safety. Children should be supervised to ensure that they do not play with the appliance.

- Never allow children or people unfamiliar with these instructions to use the product. Local regulations may restrict the age of the operator.
- Keep unauthorised persons at a distance. Children, animals, onlookers and helpers should be kept outside the safety zone of 15 m (50 ft.). Stop the machine immediately if anyone approaches.
- Store the equipment in a lockable area so that it is out of reach of children and unauthorized persons.
- Do not operate the machine on a paved or gravel surface where ejected material could cause injury.
- While operating the machine always wear substantial footwear and long trousers. Do not operate the machine when barefoot or wearing open sandals. Avoid wearing clothing that is loose fitting or that has hanging cords or ties.
- Do not wear loose clothing or jewellery that can be breathed into the air inlet. Keep long hair away from the air inlets.
- Never use the machine if you are tired, if you have drunk alcohol, or if you are taking medication that could affect your vision, your judgement or your coordination.
- Wear personal protective equipment. See instructions under the heading "Personal protective equipment".
- Always remove the battery when passing the machine to another person.
- Keep in mind that it is you, the operator that is responsible for not exposing people or their property to accidents or hazards.

Power tool use and care

- Never use a machine that has been modified in any way from its original specification. Never use the machine near explosive or flammable materials.
- Never use a machine that is faulty. Carry out the safety checks, maintenance and service instructions described in this manual. Some maintenance and service measures must be carried out by trained and qualified specialists. See instructions under the heading Maintenance.
- Only use original spare parts.
- Always ensure that ventilation openings are kept clear of debris.
- All covers, guards and handles must be fitted before starting.
- Only use the machine in daylight or in other well-lit conditions.
- Never use the machine in bad weather, for instance in fog, in rain, damp or in wet locations, strong winds, intense cold, risk of lightning, etc. Extremely hot weather may cause overheating of the machine. Operation in bad weather is tiring and can lead to dangerous conditions, for instance slippery surfaces.

- If the machine starts vibrating abnormally, stop the machine and remove the battery.
- Walk, never run.

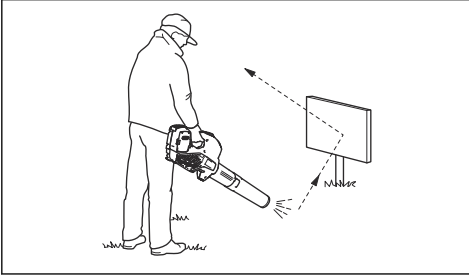
Safety instructions for operation



WARNING: Read the warning instructions that follow before you use the product.

- If you encounter a situation where you are uncertain how to proceed you should ask an expert. Contact your dealer or your service workshop. Avoid all usage which you consider to be beyond your capability.
- Make sure that you can move and stand safely. Check the area around you for possible obstacles (roots, rocks, branches, ditches, etcetera) in case you have to move suddenly. Take great care when you work on sloping ground.
- Keep a good balance and a firm foothold at all times. Do not overreach.
- Listen out for warning signals or shouts when you wear hearing protection. Always remove your hearing protection as soon as the product stops.
- Do not operate the product near open windows.
- Show consideration to persons in your surroundings by avoiding using the product at unsuitable times, such as late in the evening or early in the morning. Follow local regulations and ordinances.
- Use the product with the lowest possible airflow. It is seldom necessary to use full airflow, and many work procedures can be done at half airflow. A lower airflow means less noise and less dust, and it is also easier to keep control over the rubbish collected together/moved.
- In dusty conditions slightly dampen the surface when using the product.
- Use a rake or a brush to release rubbish stuck to the ground.
- Hold the opening of the blower as close to the ground as possible.
- Observe your surroundings. Direct the product away from persons, animals, play areas, cars etc..
- Minimize the blowing time by lightly wetting dusty areas or using spray equipment.
- Be aware of the wind direction. Work with the wind to make your work easier.
- Stop the product and remove the battery if the product starts to vibrate abnormally.
- Using the blower to move large piles is time consuming and creates unnecessary noise.
- Clean up afterwards. Make sure that you have not blown rubbish into someone's garden.
- Do not run with the product.

- The powerful currents of air can move objects at such a speed that they can bounce back and cause serious eye injuries.



- Do not direct the airflow towards people or animals.
- Stop the motor before you assemble or dismantle accessories or other parts.
- Keep all parts of your body away from hot surfaces.
- Never put the product down when it is activated unless you have it in clear sight.
- Stop the machine, and remove the battery. Make sure that all moving parts have come to a complete stop:
 - whenever you leave the machine
 - before clearing blockages or unclogging chute
 - before checking, cleaning or working on the machine
- Immediately shut off the power source and allow the machine to stop if the cutting mechanism hits any foreign objects or if the machine should start making any unusual noise or vibration. Disconnect the battery from the machine and take the following steps before restarting and operating the machine:
 - examine for damage
 - replace or repair any damaged parts
 - check for and tighten any loose parts
- Shut off the power source and disconnect the machine from battery before cleaning unwanted material if the machine becomes clogged.
- Do not transport this machine while the power source is running.
- Do not tilt the machine while the power source is running.
- The blower must not be used while on a ladder or scaffolding.



- Do not use the product unless you are able to call for help in case of an accident.
- Watch out for thrown objects. Stones, rubbish, etc., can be thrown up into the eyes causing blindness or serious injury.
- Use a residual-current device (RCI) for increased security when you charge the product. A residual-current device is fitted to protect operators in case an electrical fault should occur.
- This product is renowned for its low vibration load. Overexposure to vibration can lead to circulatory damage or nerve damage in people who have impaired circulation. Contact your doctor if you experience symptoms of overexposure to vibration. Such symptoms include numbness, loss of feeling, tingling, pricking, pain, loss of strength, changes in skin colour or condition. These symptoms normally appear in the fingers, hands or wrists.
- Only use the product for the purpose it was intended for.
- It is not possible to cover every conceivable situation you can face. Always exercise care and use your common sense. Avoid all situations which you consider to be beyond your capability. If you still feel uncertain about operating procedures after reading these instructions, you should consult an expert before continuing.

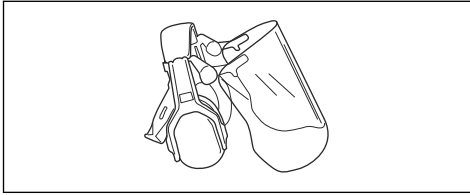
Personal protective equipment



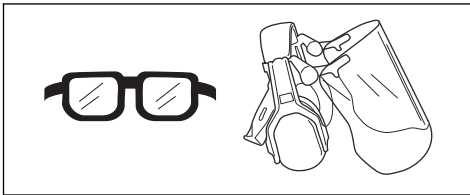
WARNING: Read the warning instructions that follow before you use the product.

- Always use approved personal protective equipment when you use the product. Personal protective equipment cannot fully prevent injury but it decreases the degree of injury if an accident does occur. Let your dealer help you select the right equipment.
- Long term exposure to noise can result in damaged hearing. In general, battery powered products are relatively quiet but damage can result from a combination of noise level and long usage. recommends that operators use hearing protectors when using products for a longer coherent time of a day. Continual and regular users should have their hearing checked regularly. Note that hearing

protectors limit the ability to hear sounds and warning signals.



- Use approved eye protection. If you use a visor, you must also use approved protective goggles. Approved protective goggles must comply with the ANSI Z87.1 standard in the USAs or EN 166 in EU countries.



- Use clothing made of a strong fabric. Always use heavy, long pants and long sleeves. Do not use loose clothing that can catch on twigs and branches. Do not wear jewelry, short pants, sandals or go with bare feet. Put your hair up safely above shoulder level.
- Keep first aid equipment close at hand.



- A breathing mask should be used when there is a risk of dust.

Safety devices on the product



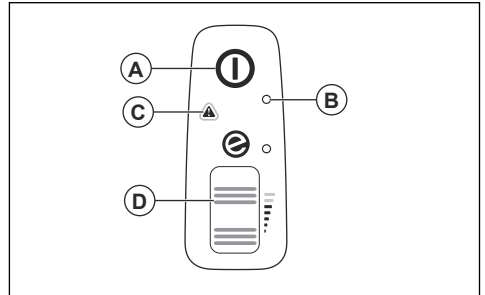
WARNING: Read the warning instructions that follow before you use the product.

- In this section the product's safety features, its purpose and how checks and maintenance should be carried out to ensure that it operates correctly. See instructions under the heading *Product overview on page 2* to find where these parts are located on your product.
- The life span of the product can be reduced and the risk of accidents can increase if product maintenance is not carried out correctly and if service and/or repairs are not carried out professionally. If you need further information please contact your nearest servicing dealer.

- Never use a product with defective safety components. The product's safety equipment must be inspected and maintained as described in this section. If your product fails any of these checks, contact your service agent to get it repaired.
- All servicing and repair work on the product requires special training. This is especially true of the product's safety equipment. If your product fails any of the checks described below you must contact your service agent. When you buy any of our products we guarantee the availability of professional repairs and service. If the retailer who sells your product is not a servicing dealer, ask him for the address of your nearest service agent.

To do a check of the keypad

1. Push and hold the start/stop button (A).



- a) The product is on when the LED (B) comes on.
 - b) The product is off when the LED (B) is out.
2. Refer to *User interface on page 14* if the warning indicator (C) comes on or flashes.
 3. Push and release the power wheel (D) to make sure that it moves freely.

Battery safety



WARNING: Read the warning instructions that follow before you use the product.

- Only use the 40-B series batteries that we recommend for your product. Refer to *Approved batteries on page 17*. The batteries are software encrypted.
- Use the rechargeable 40-B series batteries as a power supply for the related Husqvarna products only. To prevent injury, do not use the battery as a power supply for other devices.
- Risk of electrical shock. Do not connect the battery terminals to keys, screws or other metal. This can cause a short circuit of the battery.
- Do not use batteries that are non-rechargeable.
- Do not put objects into the air slots of the battery.
- Keep the battery away from sunlight, heat or open flame. The battery can cause burns and/or chemical burns.

- Keep the battery away from rain and wet conditions.
- Keep the battery away from microwaves and high pressure.
- Do not try to disassemble or break the battery.
- Use the battery in temperatures between -10 °C (14 °F) and 40 °C (104 °F).
- Do not clean the battery or the battery charger with water. Refer to *To clean the product, the battery and the battery charger on page 14.*
- Do not use a defective or damaged battery.
- Keep batteries in storage away from metal objects such as nails, screws or jewelry.
- Keep the battery away from children.

- Only use the battery charger where the temperature is between 5 °C (41 °F) and 40 °C (104 °F). Use the charger in an environment which has a good airflow, dry and free from dust.
- Do not put objects into the cooling slots of the battery charger.
- Do not connect the battery charger terminals to metal objects as this can short circuit the battery charger.
- Use approved mains sockets that are not damaged. Make sure that the cord of the battery charger is not damaged. If extension cables are used, make sure that the extension cables are not damaged.

Battery charger safety



WARNING: Read the warning instructions that follow before you use the product.

- Risk of electrical shock or short circuit if the safety instructions are not obeyed.
- Do not use other battery chargers for the one supplied for your product. Only use 40-C80 chargers when you charge Husqvarna 40-B140 replacement batteries. Refer to *Approved battery chargers on page 17* and *Approved batteries on page 17.*
- Do not try to disassemble the battery charger.
- Do not use a defective or damaged battery charger.
- Do not lift the battery charger by the power cord. To disconnect the battery charger from a mains socket, pull out the plug. Do not pull the power cord.
- Keep all cables and extension leads away from water, oil and sharp edges. Make sure that the cable is not caught between objects, for example, doors, fences or equivalent.
- Do not use the battery charger near flammable materials or materials that can cause corrosion. Make sure that the battery charger is not covered. Pull out the plug to the battery charger if there is smoke or fire.
- Only charge the battery indoors in a location with good airflow and away from sunlight. Do not charge the battery outdoors. Do not charge the battery in wet conditions.



WARNING: Read the warning instructions that follow before you do maintenance on the product.

- When the machine is stopped for servicing, examination, or storage, or to change an accessory, Allow the machine to cool before making any examinations, adjustments, etc. Maintain the machine with care and keep it clean.
- Remove the battery before you do maintenance, other checks or assemble the product.
- The operator must only do the maintenance and servicing shown in this operator's manual. Speak to your servicing dealer for maintenance and servicing of a larger extension.
- Keep all nuts, bolts and screws tight to be sure the product is in safe working condition.
- Replace worn or damaged parts.
- If you do not do maintenance, it decreases the life cycle of the product and increases the risk of accidents.
- Special training is necessary for all servicing and repair work, especially for the safety devices on the product. If not all checks in this operator's manual are approved after maintenance, speak to your servicing dealer. We guarantee that there are professional repairs and servicing available for your product.
- Only use original spare parts.

Assembly

Blower mode



WARNING:

Cut injury can occur when the rotor blades turn or the product starts accidentally. Remove the battery and wait until the rotor blades stop before you assemble the product.

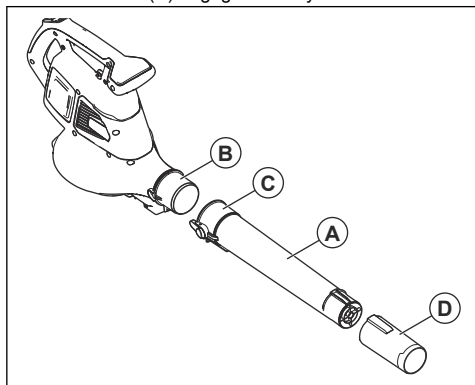


WARNING: Assemble the blower tube and the intake cover fully before you use the product in blower mode.

To assemble the blower tube

Note: When the blower tube is not assembled correctly, a safety switch will prevent the blower from starting.

1. Push the blower tube (A) onto the blower outlet (B). The interlock (C) engages when you hear a click.

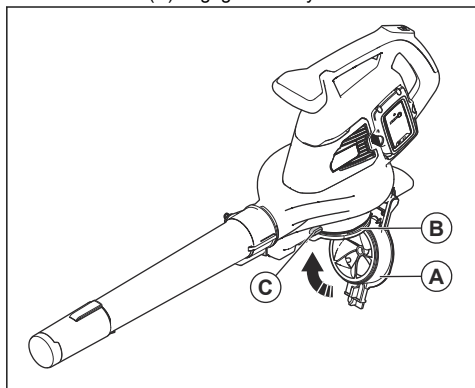


2. Install the blower nozzle (D) onto the blower tube. The blower nozzle locks in position when you hear a click.

To assemble the intake cover

Note: When the intake cover is not assembled correctly, a safety switch will prevent the blower from starting.

- Close the intake cover (A) on the blower inlet (B). The interlock (C) engages when you hear a click.



Vacuum mode



WARNING: Assemble the vacuum tube and the collection bag fully before you use the product in vacuum mode.

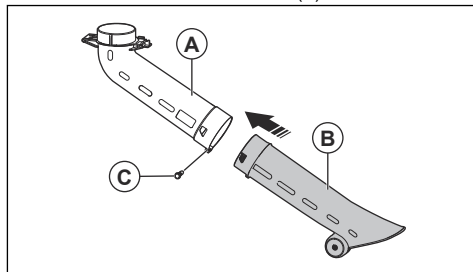
To assemble the vacuum tube



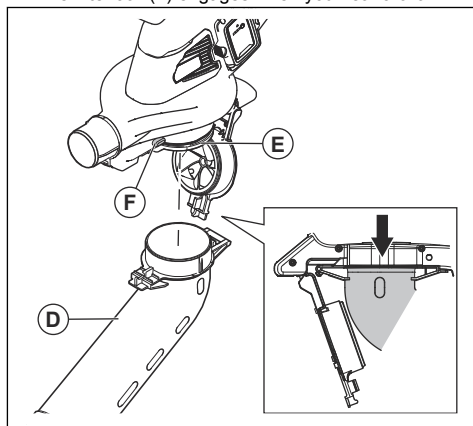
WARNING: Assemble the upper and lower vacuum tubes before you start the product.

Note: When the vacuum tube is not assembled correctly, a safety switch will prevent the vacuum from starting.

1. Align the slots on the upper vacuum tube (A) with the tabs on the lower vacuum tube (B).



2. Push the lower vacuum tube onto the upper vacuum tube until you hear a click.
3. Tighten the screw (C) .
4. Install the vacuum tube (D) to the vacuum inlet (E). The interlock (F) engages when you hear a click.



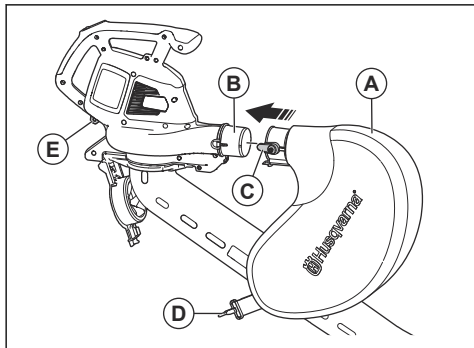
To assemble the collection bag

Note: If the collection bag is not assembled correctly, a safety switch will stop the product start procedure.

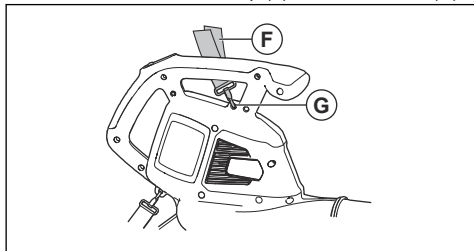


WARNING: Stop the machine before attaching or removing the bag.

1. Remove the blower tube if it is installed to the product.
2. Push the collection bag (A) onto the vacuum outlet (B). The interlock (C) engages when you hear a click.



3. Connect the collection bag strap (D) with the retainer (E).
4. Connect the shoulder strap (F) with the retainer (G).



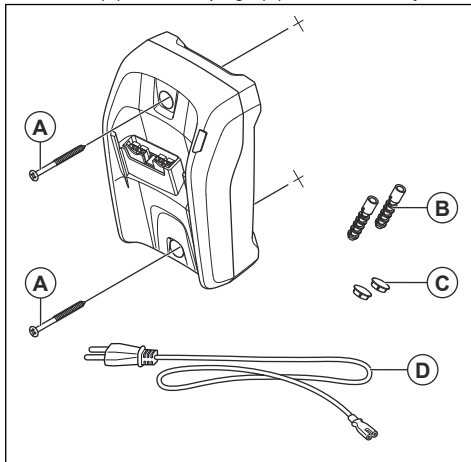
5. Make sure that the collection bag is fully closed.

To install the battery charger on the wall



CAUTION: Do not use an electric screwdriver to install the battery charger to the wall. An electric screwdriver can cause damage to the battery charger.

1. Install the battery charger on the wall with the 2 screws (A). Use wall plugs (B) if it is necessary.



2. Install the 2 screw hole plugs (C).
3. Connect the power cord (D) to the battery charger and a mains socket.

Operation

Introduction



WARNING: Read and understand the safety chapter before you use the product.

To do a function check before you use the product

1. Do a check of the air inlet for dirt and cracks. Use a brush and clean off grass and leaves from the product.
2. Make sure that the product works correctly.
3. Do a check of all nuts and screws and make sure that they are tight.

Battery



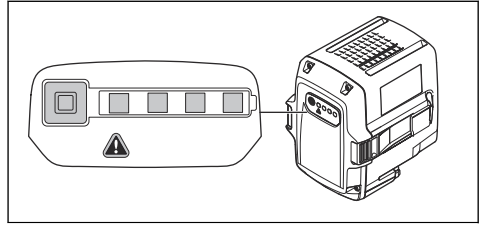
WARNING: Read and understand the safety chapter before you use the battery. Read and understand the operator's manual for the battery and the battery charger.

Keep the battery and the battery charger in the correct ambient temperatures.

	Ambient temperature
Operation of the battery	5 °C-40 °C / 41 °F-104 °F
Charging of the battery	5 °C-40 °C / 41 °F-104 °F

Battery status

The display shows the state of charge and if there are problems with the battery.



LED indicator	Battery state of charge
4 LED lights are on	The battery is 76% - 100% charged.
3 LED lights are on	The battery is 51% - 75% charged.
2 LED lights are on	The battery is 26% - 50% charged.
1 LED light is on	The battery is 6% - 25% charged.
1 LED light flashes	The battery is 0% - 5% charged.

To charge the battery

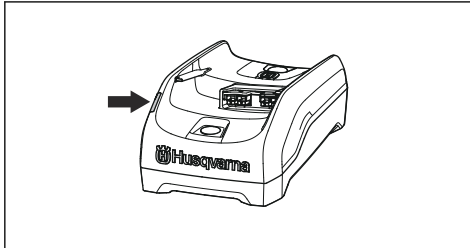
Charge the battery if it is the first time that you use it. A new battery is only 30% charged.



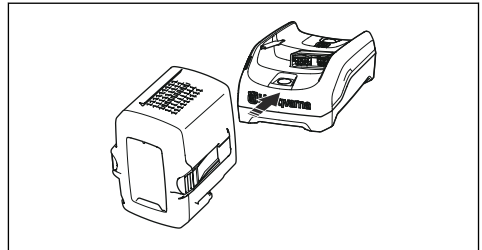
CAUTION: Connect the battery charger to a power outlet with the voltage and frequency that is specified on the rating plate.

The battery does not charge if the battery temperature is more than 50 °C/122 °F.

1. Connect the power cord to the battery charger.
2. Connect the battery charger to a grounded power outlet. The charging LED flashes one time.



3. Connect the battery to the battery charger. The charging LED comes on. Charge the battery for maximum 24 hours.



4. Push the battery indicator button, if all the LED indicators come on, the battery is fully charged.
5. Pull the power plug to disconnect the battery charger from the power outlet. Do not pull the power cord.
6. Remove the battery from the battery charger.

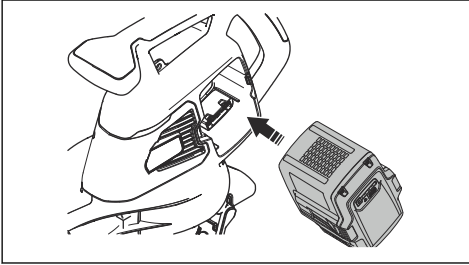
To connect the battery to the product



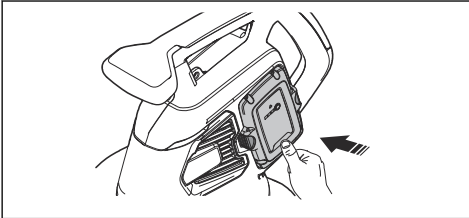
WARNING: Only use Husqvarna original batteries in the product.

1. Make sure that the battery is fully charged.

- Slide the battery into the battery holder of the product. The battery must slide easily, if not, it is not installed correctly.

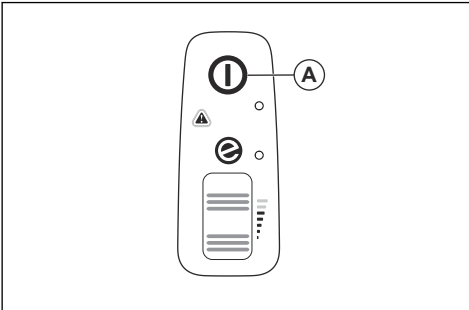


- Press the lower part of the battery and push it in as far as it will go into the battery compartment. The battery will lock into position when you hear a click.
- Make sure that the latches snap in place correctly.

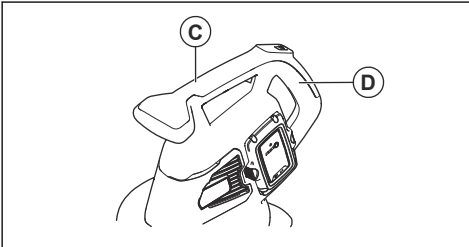


To start the product

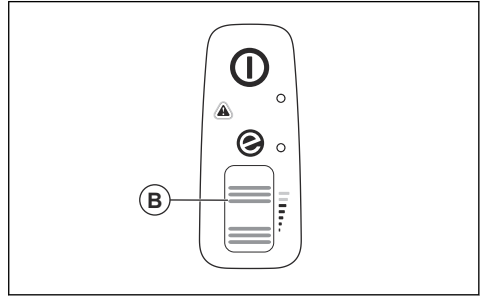
- Push and hold the start/stop button (A) until the green LED light comes on.



- Hold the auxiliary handle (C) with one hand and hold the main handle (D) with the other hand.

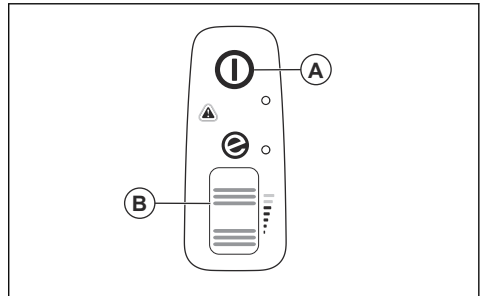


- Scroll the power wheel (B) up to start the blower mode or vacuum mode.



To stop the product

- Scroll the power wheel (B) down to stop the blower model or vacuum mode.

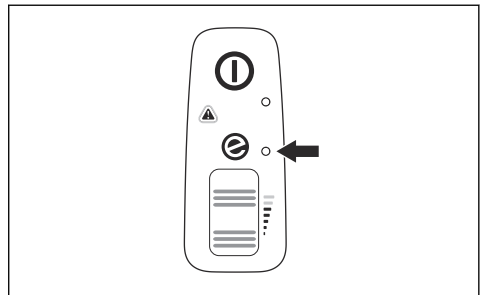


- Push and hold the start/stop button (A) until the green LED light goes off.

ECO mode

ECO mode increases the lifetime of the battery.

- Scroll the power wheel down to start the ECO mode. The LED light comes on when the ECO mode is started.



- Scroll the power wheel up to start the normal mode. The LED light goes off when the normal mode is started.

To empty the collection bag



WARNING:

Sharp objects can cause injury. Do not put your hands in the collection bag when you empty it.

1. Stop the product.
2. Remove the collection bag.
3. Turn the inner side of the collection bag out and remove the collected objects.

4. Clean the collection bag with a water hose.
5. Let the collection bag dry.
6. Assemble the collection bag.

Automatic shutdown function

The product has an automatic shutdown function that stops the product if it is not used. The product shuts down after 1 minute.

Maintenance

Introduction



WARNING: Before you do any maintenance work you must read and understand the safety chapter.

Maintenance schedule



WARNING: Remove the battery before you do maintenance.

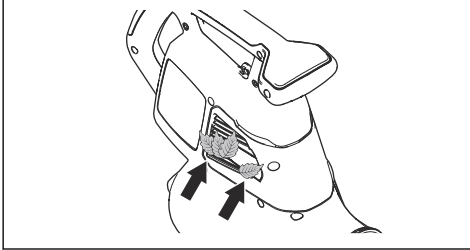
The following is a list of the maintenance steps that you must do on the product.

Maintenance	Daily	Weekly	Monthly
Clean the external surface with a clean and dry cloth. Do not use water.	X		
Keep the handles dry, clean and free from oil and grease.	X		
Make sure that the start/stop button operates correctly and is not damaged.	X		
Make sure the power wheel operates correctly in terms of safety.	X		
Examine the nuts and screws for tightness.	X		
Examine the battery for damage.	X		
	X		
Make sure that the release buttons on the battery operate correctly and that the battery locks into the product.	X		
Examine the battery charger for damage and make sure that it operates correctly.	X		
Examine all couplings, connections and cables for damage and make sure that they are free from dirt.		X	
Examine the connections between the battery and the product and also examine the connection between battery and the battery charger.			X
Clean the airflow slots with a soft brush (do not use a screwdriver).	X		
Remove and clean the blower tube or the vacuum tube.	X		
Empty and clean the collection bag. Refer to <i>To empty the collection bag on page 13.</i>	X		
Remove grass, leaves, dirt or any unwanted material from the intake opening and intake cover.	X		

Maintenance	Daily	Weekly	Monthly
Examine the fan impeller for contamination and clean the fan impeller if necessary with a dull, long object.	X		

To do a check of the air intake

1. Make sure that the air intake is not blocked on the sides on the product.



2. Stop the product and remove leaves or unwanted material if it is necessary.



CAUTION: A blocked air intake decreases the blow capacity of the product and increases the work temperature of the motor. This can

result in motor failure because the motor becomes too hot.

To examine the battery and the battery charger

1. Examine the battery for damages, for example cracks.
2. Examine the battery charger for damages, for example cracks.
3. Make sure that the connection cord of the battery charger is not damaged and that there are no cracks in it.

To clean the product, the battery and the battery charger

1. Clean the product with a dry cloth after use.
2. Clean the battery and battery charger with a dry cloth. Keep the battery guide tracks clean.
3. Make sure that the terminals on the battery and the battery charger are clean before the battery is put in the battery charger or the product.

Troubleshooting

User interface

User interface	Possible faults	Possible solution
Red error LED flashes.	Temperature deviation.	Let the product become cool.
	Tube or fan cover is removed.	Assemble the tube or fan cover.
	Battery error.	Replace the battery or charge the battery.
	Servicing is necessary.	Speak to your servicing dealer.
The product does not start.	Dirt in battery connectors.	Clean with compressed air or a soft brush.

Battery

LED display	Possible faults	Possible solution
Green LED flashes.	Low battery voltage.	Charge the battery.
Error LED flashes.	Temperature deviation.	Use the battery in temperatures between -10°C (14°F) and 40°C (104°F).
	Too much voltage.	Make sure that the mains voltage aligns with the voltage of the product. Refer to the rating plate on the product. Remove the battery from the battery charger.
Error LED comes on.	Too much cell difference (1V).	Speak to your servicing dealer.

Battery charger

Condition	Possible faults	Possible procedure
The charging LED is red.	Permanent battery charger error.	Speak to your dealer.
The charging LED flashes green.	Temperature deviation, the battery is too cold or too hot to use or charge.	Let the battery cool down or warm it up. When the battery has the correct temperature, it can be used or charged again. Use the battery charger in ambient temperatures between 5 °C (41 °F) and 40 °C (104 °F).
The charging LED flashes red.	Faulty battery	Speak to your dealer.

Transportation, storage and disposal

Transportation and storage

- The supplied Li-ion batteries obey the Dangerous Goods Legislation requirements.
- Obey the special requirement on package and labels for commercial transportation, including by third parties and forwarding agents.
- Speak to a person with special training in dangerous material before you send the product. Obey all applicable national regulations.
- Use tape on open contacts when you put the battery in a package. Put the battery in the package tightly to prevent movement.
- Always allow the machine to cool before storing.
- Remove the battery for storage or transportation.
- Put the battery and the battery charger in a space that is dry and free from moisture and frost.
- Do not keep the battery in an area where static electricity can occur. Do not keep the battery in a metal box.
- Put the battery in storage where the temperature is between 5°C/41°F and 25°C/77°F and away from open sunlight.
- Put the battery charger in storage where the temperature is between 5 °C/41 °F and 45°C/113°F and away from open sunlight.
- Use the battery charger only when the surrounding temperature is between 5°C/41°F and 40°C/104°F.
- Charge the battery 30% to 50% before you put it in storage for long periods.
- Put the battery charger in storage in a space that is closed and dry.
- Keep the battery away from the battery charger during storage. Do not let children and other not

approved persons to touch the equipment. Keep the equipment in a space that you can lock.

- Clean the product and do a full servicing before you put the product in storage for a long time.
- Use the transportation guard on the product to prevent injuries or damage on the product during transportation and storage.
- Attach the product safely during transportation.

for electrical and electronic equipment. This helps to prevent damage to the environment and to persons.

Speak to local authorities, domestic waste service or your dealer for more information.



Note: The symbol shows on the product or package of the product.

Disposal of the battery, battery charger and product

The symbol below means that the product is not domestic waste. Recycle it at a recycling station

Technical data

Technical data

	120IBV
Motor	
Motor type	BLDC (brushless) 36V
Weight	
Weight without battery, kg	4.6
Noise emissions ¹	
Sound power level, measured dB (A)	97
Sound power level, guaranteed L _{WA} dB (A)	100
Sound levels ²	
Equivalent sound pressure level at the operator's ear, measured according to EN ISO 11203 and ISO 22868, dB (A):	84
Vibration levels ³	
Vibrations levels at front/rear handle, measured according to ISO 22867, m/s ²	1.4/1.7
Fan performance	
Air flow in normal mode with standard nozzle, m ³ /min	6.7
Maximum air velocity in normal mode with standard nozzle, m/s / mph	50/111

Noise and vibration data are determined on the basis of the rated maximum speed.

¹ Noise emissions in the environment measured as sound power (L_{WA}) in conformity with EC directive 2000/14/EC. Reported sound power level for the machine has been measured with the original cutting attachment that gives the highest level. The difference between guaranteed and measured sound power is that the guaranteed sound power also includes dispersion in the measurement result and the variations between different machines of the same model according to Directive 2000/14/EC.

² Reported data for equivalent sound pressure level for the machine has a typical statistical dispersion (standard deviation) of 3 dB (A).

³ Reported data for vibration level has a typical statistical dispersion (standard deviation) of 1.5 m/s².

Approved batteries

Only use Husqvarna original 40-B batteries for this product.

Approved batteries

Battery	40-B140
Type	Lithium-ion
Battery capacity, Ah	4
Nominal voltage, V	36
Weight, kg	1.25

Approved battery chargers

Battery charger	40-C80
Mains voltage, V	100-240
Frequency, Hz	50-60
Power, W	72
Output Voltage, V d.c./ Amps, A	43/1.6

Declaration of Conformity

EU Declaration of conformity

We, **Husqvarna AB**, SE-561 82 Huskvarna, SWEDEN,
tel: +46-36-146500, declare on our sole responsibility
that the product:

Description	Handheld garden blower/vacuum
Brand	Husqvarna
Type / Model	120iBV
Identification	Serial numbers dating from 2022 and onwards

complies fully with the following EU directives and regulations:

Regulation	Description
2006/42/EC	"relating to machinery"
2014/30/EU	"relating to electromagnetic compatibility"
2011/65/EU	"on the restriction of the use of certain hazardous substances in electrical and electronic equipment"
2000/14/EC	"relating to the noise emissions in the environment"

and that the following standards and/or technical specifications are applied: EN 60335-1:2012+A11+A13+A14+A2+A15, EN 50636-2-100:2014, EN IEC 63000:2018, EN ISO 12100:2010, EN IEC 55014-1:2021; EN IEC 55014-2:2021

In accordance with directive 2000/14/EC, Annex V, refer to *Technical data on page 16* for the declared sound values.

Huskvarna, 2023-01-16



Claes Losdal, R&D Manager, Husqvarna AB

Responsible for technical documentation



UK Declaration of conformity

We, **Husqvarna AB**, SE-561 82 Huskvarna, SWEDEN,
tel: +46-36-146500, declare on our sole responsibility
that the product:

Description	Handheld garden blower/vacuum
Brand	Husqvarna
Type / Model	120iBV
Identification	Serial numbers dating from 2022 and onwards

complies fully with the following UK regulations:

Description
The Supply of Machinery (Safety) Regulations 2008
Electromagnetic Compatibility Regulations 2016
The Noise Emission in the Environment by Equipment for use Outdoors Regulations 2001
The Restriction of the Use of Certain Hazardous Substances in Electrical and Electronic Equipment Regulations 2012

and that the following standards and/or
technical specifications are applied: EN
60335-1:2012+A11+A13+A1+A14+A2+A15, EN
50636-2-100:2014, EN IEC 63000:2018, EN ISO
12100:2010, EN IEC 55014-1:2021; EN IEC
55014-2:2021

In accordance with S.I. 2001/1701, Schedule 8, refer
to *Technical data on page 16* for the declared sound
values.

Huskvarna, 2023-01-16



Claes Losdal, R&D Manager, Husqvarna AB
Responsible for technical documentation

**UK
CA**

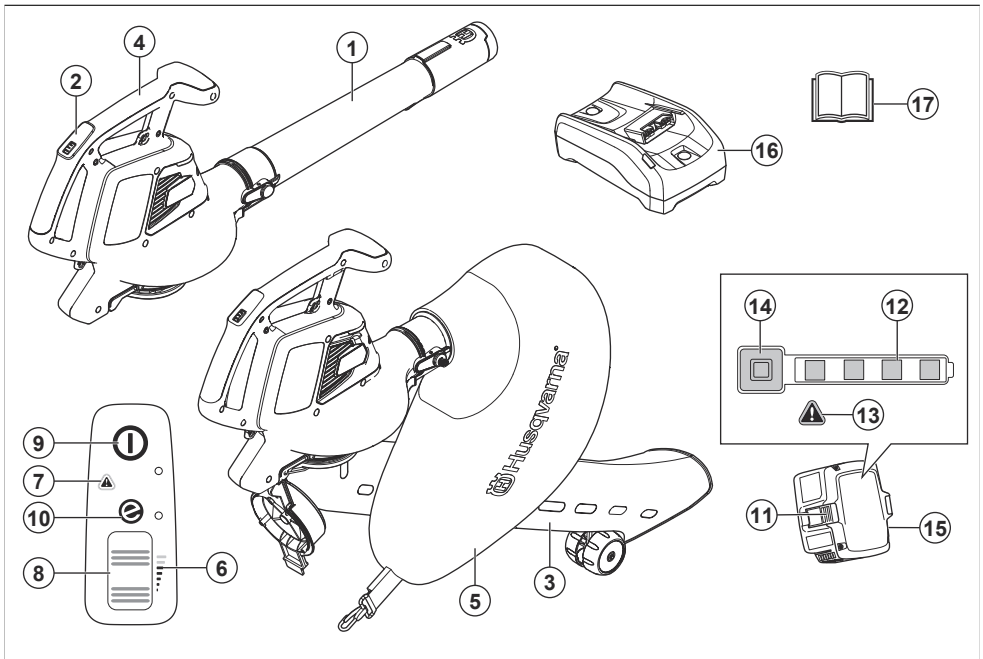
UK Importer:
Husqvarna UK Ltd
Preston Road, Co. Durham
DL5 6UP

Съдържание

Въведение.....	20	Отстраняване на проблеми.....	35
Безопасност.....	22	Транспортиране, съхранение и изхвърляне.....	36
Монтаж.....	28	Технически данни.....	37
Операция.....	30	Декларация за съответствие.....	39
Поддръжка.....	33		

Въведение

Общ преглед на продукта



1. Продухваща тръба
2. Клавишно поле
3. Вакуумна тръба
4. Ръкохватка
5. Торбичка за събиране
6. Индикатор за въздушния поток
7. Индикатор за предупреждение (светодиод за грешка)
8. Превключвател за захранване
9. Бутон за стартиране/спиране
10. Индикатор за SavE
11. Бутон за освобождаване на акумулаторната батерия
12. Състояние на акумулаторната батерия
13. Индикатор за предупреждение (светодиод за грешка)
14. Индикатор за мощност и предупреждение
15. Акумулаторна батерия, включена само в комплекта компресорно оборудване Husqvarna 120iBV
16. Зарядно устройство за акумулаторни батерии, включено само в комплекта компресорно оборудване Husqvarna 120iBV
17. Ръководство за оператора

Описание на продукта

Husqvarna 120iBV е модел градинско/градинска компресорно оборудване/прахосмукачка с електрически мотор.

Ние имаме политика на непрекъснато развитие на своите продукти и затова запазваме правото си да променяме тяхната конструкция и външен вид без предизвестие.

Предназначение

Режим на компресорно оборудване: компресорното оборудване е предназначено за издухване на частици замърсяване или окосена трева от пътеки, алеи, дворове и други. То също така е предназначено за издухване на окосена трева, слама или листа за създаване на купчини или за отстраняване на частици замърсяване от ъгли, фуги или пролуки между плочки или тухли.

Режим на прахосмукачка: прахосмукачката е предназначена за засмукване на сух материал. Това включва листа, трева, малки клонки и парчета хартия.

Символи върху продукта



ПРЕДУПРЕЖДЕНИЕ: този продукт може да бъде опасен и да причини сериозно нараняване или смърт на оператора или други хора. Внимавайте и използвайте продукта правилно.



Прочетете внимателно ръководството за оператора и се уверете, че разбирате инструкциите, преди да използвате този продукт.



Използвайте одобрени защитни средства за очите.

V

Номинално напрежение, V



Прав ток.



Етикет за шумовите емисии за околната среда съгласно директивите и регламентите на ЕС и Обединеното кралство и законодателството на Нов Южен Уелс "Регламент 2017 относно защитата от дейности, оказващи влияние на околната среда (контрол на шума)". Гарантираното ниво на звуковата мощност на продукта е

посочено в *Технически данни на страница 37* и на етикета.



Преди техническо обслужване разкачете акумулаторната батерия.



Продуктът или опаковката на продукта не е битов отпадък. Рециклирайте го в станция за рециклиране за електрическо и електронно оборудване.



Продуктът е в съответствие с приложимите директиви на ЕО.



Този продукт съответства на приложимите регламенти на Обединеното кралство.



Не излагайте на дъжд.



След като изключите продукта, изчакайте, докато лопатките на ротора спрат.



Когато тръбата е напълно монтирана, използвайте продукта само в режим на прахосмукачка.



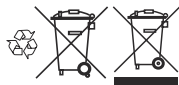
Операторът на моторната метла трябва да внимава да не се приближават хора или животни в радиус от 15 метра. Когато няколко оператора работят в един и същ обект, трябва да се спазва безопасно разстояние от поне 15 метра. Моторната метла може да изхвърли предмети с голяма сила, които да отскочат обратно. Това може да доведе до сериозни наранявания на очите, ако не се използват препоръчителните предпазни средства.

yyyy wwxxxx

На типова табелка е изписан серийният номер. **yyyy** е годината на производство, а **ww** – седмицата на производство.

Забележка: Останалите символи/стикери върху приставката се отнасят за специфични изисквания по отношение на сертификати за определени пазари.

Символи върху акумулатора и/или зарядното устройство



Рециклирайте този продукт в пункт за рециклиране за електрическо и електронно оборудване. (Валидно само за Европа)



Устойчив на неизправности трансформатор.



Използвайте и дръжте зарядното устройство на акумулатора единствено на закрито.



Двойна изолация.

Производител

Husqvarna AB

Drottninggatan 2, SE-561 82 Huskvarna

Повреда на продукта

Ние не носим отговорност за повреди по нашия продукт, ако:

- продуктът е неправилно ремонтиран.
- продуктът е ремонтиран с части, които не са от производителя или не са одобрени от производителя.
- продуктът има принадлежност, която не е от производителя или не е одобрена от производителя.
- продуктът не е ремонтиран в одобрен сервизен център или от одобрен орган.

Безопасност

Дефиниции за безопасност

Предупреждения, знаци за внимание и бележки се използват за указване на особено важни части на инструкцията за експлоатация.



ПРЕДУПРЕЖДЕНИЕ: Използва се, ако има опасност от нараняване или смърт за оператора или за околните, ако не се спазват инструкциите в ръководството.



ВНИМАНИЕ: Използва се, ако има опасност от повреждане на продукта и/или приставката, други материали или съседната зона, ако не се спазват инструкциите в ръководството.

Забележка: Използва се за предоставяне на повече информация, която е необходимо в дадена ситуация.

Общи инструкции за безопасност



ПРЕДУПРЕЖДЕНИЕ: Прочетете следващите предупредителни инструкции, преди да използвате продукта.

- Прочетете внимателно инструкциите, за да се запознаете с органите за управление и правилната работа на машината. Неправилното или невнимателно използване на продукта може да го превърне в опасен инструмент, който може да причини сериозно или дори смъртоносно нараняване на оператора или на други лица.
- При никакви обстоятелства не бива да се нанасят модификации в първоначалната конструкция на продукта без разрешение от производителя. Никога не използвайте продукт, чиито оригинални технически характеристики са били модифицирани по някакъв начин, и винаги използвайте оригинални принадлежности. Неразрешени изменения и/или приспособления може да предизвикат сериозни телесни повреди или смъртта на оператора или други лица. Покритието на Вашата гаранция е възможно да не покрива повреди или отговорности за вреди, причинени поради употреба на неоторизирани аксесоари и резервни части.
- Този продукт създава електромагнитно поле по време на работа. При някои условия това поле може да предизвика смущения в активни или пасивни медицински импланти. За да намалите риска от сериозно или смъртоносно нараняване, ние препоръчваме лицата с медицински импланти да говорят с лекаря си и производителя на медицинския имплант, преди да започнат да работят с този продукт.

- Отстранете акумулаторната батерия от продукта по време на зареждане.

Общи предупреждения за безопасност за силови инструменти

Проверка преди стартиране

- Проверете мястото на работа. Отстранете всякакви търкаляци се обекти, като камъни, съкулени стъкла, гвоздеи, стоманени въжета, върви и т.н., които могат да бъдат подхвърлени.
- Винаги изваждайте батерията, за да предотвратите случайното включване на машината. Винаги разкачайте батерията, преди да извършвате каквото и да е техническо обслужване на машината.
- Преди да използвате машината и след всеки удар, проверявайте за признаци на износване и повреди и при необходимост извършете съответните поправки.
- Използвайте само оригинални резервни части.
- По време на работа, операторите на машината трябва да внимават да не се приближават хора или животни в радиус от 15 м. Когато няколко оператора работят в един и същ участък, трябва да се спазва безопасно разстояние поне 15 метра.
- Направете цялостна инспекция на машината преди употреба, вж. графика за техническо обслужване.
- Възможно е използването на продукта да се регулира от националните или местните разпоредби. Съобразявайте с предоставените разпоредби.

Лична безопасност

- **Бъдете нащрек, внимавайте какво правите и бъдете разсъдливи, когато работите с електрически инструмент. Не използвайте електрически инструмент, когато сте изморени или когато сте под влиянието на наркотици, алкохол или лекарства.** Един миг на невнимание по време на работа с електрически инструменти може да доведе до сериозна телесна повреда.
- Не допускате наблизост странични наблюдатели.
- Този уред не е предназначен за използване от човек (включително деца) с намалени физически, сетивни или умствени способности или без знания и опит, освен ако не са под наблюдение или са получили инструкции за използването на уреда от човек, отговорен за тяхната безопасност. Децата трябва да бъдат нагледжани, за да е сигурно, че не си играят с уреда.
- Никога не позволявайте на деца или на хора, непознати с тези инструкции, да използват продукта. Местните регламенти може да поставят възрастови ограничения за оператора.

- Дръжте неупълномощените лица на разстояние. Деца, животни, странични наблюдатели и помощници трябва да стоят извън зоната на безопасност от 15 m (50 ft). Спрете незабавно машината, ако някой се приближи.
- Съхранявайте оборудването в заключващо се място, така че да бъде извън досега на деца или неупълномощени лица.
- Не работете с машината върху павирана повърхност или чакълен път, където изхвърленият материал може да причини нараняване.
- Когато работите с машината, винаги носете стабилни обувки и дълги панталони. Не работете с машината, когато сте боси или носите отворени сандали. Избягвайте носенето на дрехи, които са свободно висящи или от които висят връвници или връзки.
- Не носете свободно висящи дрехи или бижута, които могат да бъдат засмукани в отвора за въздух. Дългата коса трябва да се държи настрана от отворите за въздух.
- Никога не използвайте машината, ако сте уморени, употребили сте алкохол или приемате лекарства, които могат да повлияят върху зрението, преценката или координацията Ви.
- Носете лични предпазни средства. Вижте инструкциите под заглавието "Лични предпазни средства".
- Винаги отстранявайте акумулаторната батерия, когато подавате машината на друг човек.
- Не забравяйте, че Вие, оператора, сте отговорни за предпазването на хора или тяхно имущество от нещастни случаи или опасности.

Употреба и грижа за електрическия инструмент

- Никога не използвайте машина с изменения в оригиналната конструкция. Никога не използвайте машината в близост до избухливи или леснозапалими материали.
- Никога не използвайте машина, която е неизправна. Извършвайте описаните в това ръководство за експлоатация редовни проверки за безопасност, поддръжка и сервис. Определени операции по поддръжката и сервиса се извършват единствено от квалифицирани специалисти. Вижте инструкциите в глава "Поддръжка".
- Използвайте само оригинални резервни части.
- Винаги проверявайте дали вентилационните отвори не са запушени от отпадъци.
- Всички капаци, предпазители и ръкохватки трябва да бъдат монтирани преди започване на работа.
- Използвайте машината само на дневна светлина или на места с добро осветление.

- Никога не използвайте машината в лошо време, като например в мъгла, дъжд, влажни или мокри места, при силен вятър, при много ниски температури, опасност от мълни и т.н. Прегряване на машината може да бъде причинено от изключително горещо време. Експлоатацията в лошо време е уморителна и може да доведе до опасни условия, като например хлъзгави повърхности.
- Ако машината започне да вибрира по необичаен начин, спрете я и извадете акумулатора.
- Ходете, никога не тичайте.

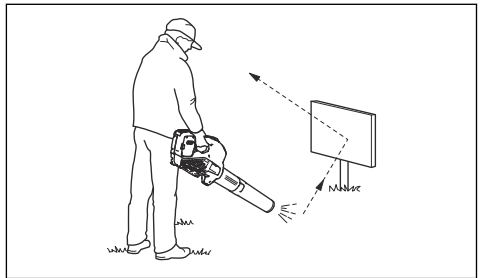
Инструкции за безопасност за работа



ПРЕДУПРЕЖДЕНИЕ: Прочетете следващите предупредителни инструкции, преди да използвате продукта.

- Ако се окажете в ситуация, в която сте неуверени как да постъпите, се посъветвайте със специалист. Свържете се с Вашия дилър или с Вашия сервиз. Избягвайте всякаква употреба, за която се чувствате недостатъчно квалифицирани.
- Уверете се, че можете да се движите и да стоите безопасно. Проверете площта около Вас за потенциални препятствия (корени, камъни, клони, канавки и така нататък), в случай че се наложи да се преместите внезапно. Бъдете много предпазливи при работа по наклонен терен.
- По всяко време трябва да пазите добро равновесие и да сте в стабилен строеж. Не се протягайте прекалено далеч.
- Бъдете винаги нащрек за предупредителни сигнали или подвиквания, когато носите защита на слуха. Винаги отстранявайте защитата на слуха незабавно след спиране на продукта.
- Не работете с продукта в близост до отворени прозорци.
- Съобразявайте се с лицата в околността, като избягвате работа с продукта в неподходящи часове, като например късно вечер или рано сутрин. Следвайте местните регламенти и разпоредби.
- Използвайте продукта с възможно най-слаб въздушен поток. Рядко се налага да използвате най-силния въздушен поток и много процедури на работа могат да бъдат извършени с въздушен поток с половин сила. Използването на по-слаб въздушен поток означава по-малко шум и прах и освен това прави по-лесно управлението на събраните/преместените отпадъци.
- При запрашени условия навлажнете леко повърхността, когато използвате продукта.
- Използвайте гребло или четка, за да отлепите отпадъци, залепнали за земята.

- Дръжте отвора на компресорното оборудване възможно най-близо до земята.
- Наблюдавайте околната обстановка. Насочете продукта настрани от лица, животни, площадки за игра, автомобили и т.н.
- Сведете до минимум времето на издихване, като леко намокрите прашните области или използвате пръскащо оборудване.
- Следете посоката на вятъра. Работете, като се съобразявате с вятъра, за да е по-лесна работата ви.
- Спрете продукта и отстранете акумулаторната батерия, ако продуктът започне да вибрира по различен от нормалния начин.
- Използването на компресорното оборудване за преместване на големи купчини отнема много време и създава излишен шум.
- Почиствайте след употреба. Проверявайте дали не сте издухали отпадъци в чужда градина.
- Не бягайте с продукта.
- Мощните потоци от въздух могат да преместват предмети с такава скорост, че те да отскочат обратно и да причинят сериозни наранявания на очите.



- Не насочвайте въздушния поток към лица или животни.
- Спирайте двигателя преди монтиране или демонтиране на принадлежности или други части.
- Пазете всички части на тялото си далеч от горещи повърхности.
- Никога не поставяйте продукта на земята, докато работи, освен ако не е под прекия Ви надзор.
- Спрете машината и отстранете акумулаторната батерия. Уверете се, че всички движещи се части са напълно спрени:
 - когато оставяте машината
 - преди почистване на запущаните или отпушване на улея
 - преди проверка, почистване или работа по машината
- Ако режещият механизъм удари чужди предмети или ако машината започне да издава необичаен шум или вибрации, незабавно изключете източника на захранване и оставете машината да спре. Разкачете акумулаторната батерия от

машината и извършете следните стъпки преди повторното стартиране и работа с машината:

- проверете за повреди
- сменете или ремонтирайте повредените части
- проверете и затегнете разхлабените части
- Ако машината се запуши, преди да почистите нежелания материал, изключете източника на захранване и разкачете машината от акумулаторната батерия.
- Не транспортирайте тази машина, докато източникът на захранване работи.
- Не наклоняйте машината, докато източникът на захранване работи.
- Компресорното оборудване не бива да се използва, докато сте на стълба или скеле.



- Не работете с продукта, освен ако имате възможност да повикате помощ в случай на злополука.
- Внимавайте за хвърчащи предмети. В очите Ви могат да попаднат камъни, отпадъци и т.н., които могат да доведат до слепота или сериозно нараняване.
- Използвайте дефектнотокова защита (RCI) за по-голяма сигурност, когато зареждате продукта. Поставена е дефектнотокова защита за предпазване на операторите в случай на възникване на електрическа неизправност.
- Този продукт е добре известен с ниското си ниво на вибрации. Прекомерното излагане на вибрации може да доведе до поражения върху кръвоносни съдове и нервната система на хора със смущения в кръвообращението. Потърсете лекарска помощ, ако се появят симптоми, които могат да са резултат от вибрации. Такива симптоми са например изтръпване, загуба на чувствителност, "иглички", "бодежи", болки, физическа отпуснатост, промени в цвета или състоянието на кожата. Тези симптоми се появяват обикновено на пръстите, ръцете и китките.
- Използвайте продукта единствено по предназначение.
- Невинаги е възможно да се предвиди всяка възможна ситуация, с която можете да се сблъскате. Винаги работете с повишено

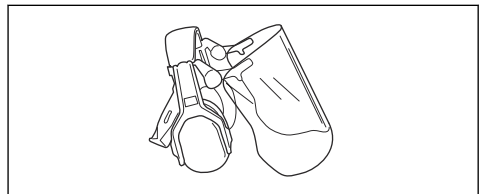
внимание и се осланяйте на здравия си разум. Избягвайте всички ситуации, в които имате съмнения, че няма да можете да се справите. Ако все още се чувствате несигурни за работните процедури след прочитането на тези инструкции, трябва да се консултирате с експерт, преди да продължите работата.

Лични предпазни средства

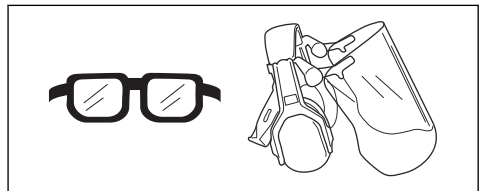


ПРЕДУПРЕЖДЕНИЕ: Прочетете следващите предупредителни инструкции, преди да използвате продукта.

- При работа с продукта винаги използвайте одобрени лични предпазни средства. Личните предпазни средства не изключват изцяло риска от нараняване, но намаляват степента на нараняването при възникване на злополука. Нека Вашият дилър Ви помогне да изберете подходящото оборудване.
- Продължителното излагане на шум може да доведе до увреждане на слуха. По принцип продуктите, захранвани от акумулаторни батерии, са сравнително тихи, но увреждането може да настъпи в резултат на комбинация от нивото на шума и дългото използване. препоръчва операторите да използват устройства за защита на слуха при по-продължително ползване на продуктите през деня. Потребителите, които използват продукт продължително и редовно, трябва да проверяват слуха си периодично. Имайте предвид, че защитата на слуха ограничава възможността за чуване на звуци и предупредителни сигнали.



- Използвайте одобрени защитни средства за очите. Ако използвате маска, трябва да използвате и одобрени предпазни очила. С одобрени предпазни очила се има предвид такива, които отговарят на стандарт ANSI Z87.1 в САЩ или EN 166 в държавите от ЕС.



- Използвайте дрехи, направени от здрава тъкан. Винаги използвайте здрави, дълги панталони и дълги ръкави. Не използвайте широки дрехи, които могат да се захванат за храсти и клони. Не носете бижута, къси панталони, сандали и не работете боси. Носете косата си безопасно над нивото на рамената.
- Дръжте в близост комплект за първа помощ.



- Когато има опасност от вдигане на прах, трябва да се носи предпазна маска.

Устройства за безопасност на продукта

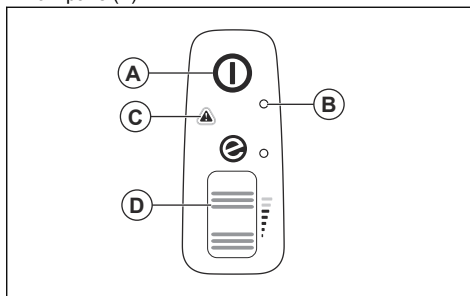


ПРЕДУПРЕЖДЕНИЕ: Прочетете следващите предупредителни инструкции, преди да използвате продукта.

- В този раздел се описва предпазното оборудване на продукта, неговото предназначение и как трябва да се извършват проверки и техническо обслужване, за да се гарантира правилната работа. Вижте инструкциите под заглавието, *Общ преглед на продукта на страница 20* за да разберете къде са разположени тези части по продукта Ви.
- Срокът на експлоатация на продукта може да се намали, а рискът от злополуки да се повиши, ако не се извършва правилно техническо обслужване на продукта и сервизното обслужване и/или ремонтите не се извършват професионално. Ако Ви е необходима допълнителна информация, моля, свържете се със сервизния дилър, разположен най-близо до Вас.
- Никога не използвайте продукт с дефектни обезопасителни компоненти. Предпазното оборудване на продукта трябва да бъде прегледано и технически обслужвано, както е описано в този раздел. Ако продуктът Ви не премине успешно някоя от тези проверки, се свържете със сервиза си за извършване на ремонт.
- Всяко извършване на сервизно обслужване и ремонт на продукта изисква специално обучение. Това важи в особена степен за предпазното оборудване на продукта. Свържете се с Вашия сервиз, ако продуктът не премине успешно която и да било от описаните по-долу проверки. При покупката на наш продукт ние гарантираме предоставянето на професионални ремонтни услуги и сервиз. Ако търговецът, от когото сте закупили продукта, не е сервизен дилър, попитайте за адреса на най-близкия сервиз.

За извършване на проверка на клавишното поле

1. Натиснете и задръжте бутона за стартиране/спиране (A).



- a) Продуктът е включен, когато светодиода (B) светва.
 - b) Продуктът е изключен, когато светодиода (B) не свети.
2. Направете справка с *Потребителски интерфейс на страница 35* ако индикаторът за предупреждение (C) свети или премигва.
 3. Натиснете и освободете превключвателя за захранване (D), за да се уверите, че се движи свободно.

Безопасност на акумулаторната батерия



ПРЕДУПРЕЖДЕНИЕ: Прочетете следващите предупредителни инструкции, преди да използвате продукта.

- Използвайте само акумулаторните батерии от серия 40-B, които препоръчваме за Вашия продукт. Направете справка с *Одобрени акумулатори на страница 38*. Акумулаторните батерии са шифровани софтуерно.
- Използвайте презареждаемите акумулаторни батерии от серия 40-B като източник на захранване само за свързаните продукти Husqvarna. За да предотвратите нараняване, не използвайте акумулаторната батерия като източник на захранване за други устройства.
- Опасност от електрически удар. Не свързвайте клемите на акумулаторната батерия с ключове, винтове или други метални предмети. Това може да причини късо съединение на акумулаторната батерия.
- Не използвайте акумулаторни батерии, които са незареждаеми.
- Не поставяйте предмети във въздушните отвори на акумулаторната батерия.
- Съхранявайте акумулаторната батерия далеч от слънчева светлина, топлина или открит

огън. Акумулаторната батерия може да причини изгаряния и/или химически изгаряния.

- Съхранявайте акумулаторната батерия далеч от дъжд или влага.
- Съхранявайте акумулаторната батерия далеч от микровълни и високо налягане.
- Не се опитвайте да разглобите или счупите акумулаторната батерия.
- Използвайте акумулаторната батерия при температури между -10°C (14°F) и 40°C (104°F).
- Не почиствайте акумулаторната батерия или зарядното устройство за акумулаторни батерии с вода. Направете справка с *За почистване на продукта, батерията и зарядното устройство на страница 34*.
- Не използвайте дефектна или повредена акумулаторна батерия.
- Съхранявайте акумулаторната батерия далеч от метални предмети, като гвоздеи, винтове или бижута.
- Дръжте акумулаторната батерия далеч от деца.

Инструкции за безопасност за зарядното устройство на акумулаторната батерия



ПРЕДУПРЕЖДЕНИЕ: Прочетете следващите предупредителни инструкции, преди да използвате продукта.

- Ако не се спазват инструкциите за безопасност, има риск от токов удар или късо съединение.
- Не използвайте зарядни устройства за акумулаторни батерии, различни от доставеното с продукта. Използвайте само зарядни устройства 40-C80, когато зареждате резервни акумулаторни батерии Husqvarna 40-B140. Направете справка с *Одобрени зарядни устройства за акумулаторни батерии на страница 38* и *Одобрени акумулаторни батерии на страница 38*.
- Не опитвайте да разглобите зарядното устройство за акумулаторни батерии.
- Не използвайте дефектно или повредено зарядно устройство за акумулаторни батерии.
- Не повдигайте зарядното устройство за акумулаторни батерии, като го държите за захранващия шнур. За да изключите зарядното устройство за акумулаторни батерии от стенен контакт, извадете щепсела. Не дърпайте захранващия шнур.
- Дръжте всички кабели и удължителни кабели далеч от вода, масло и остри ръбове. Уверете се, че кабелът не е захванат между предмети, като например врати, огради или подобни.
- Не използвайте зарядното устройство за акумулаторни батерии близо до запалими

материали или материали, които могат да причинят корозия. Уверете се, че зарядното устройство за акумулаторни батерии не е покрито. Ако има дим или огън, извадете щепсела на зарядното устройство за акумулаторни батерии.

- Зареждайте акумулаторната батерия само на закрито, на място с добро проветряване и далеч от слънчева светлина. Не зареждайте акумулаторната батерия на открито. Не зареждайте акумулаторната батерия във влажна условия.
- Използвайте зарядното устройство за акумулаторни батерии само при температури между 5°C (41°F) и 40°C (104°F). Използвайте зарядното устройство за акумулаторни батерии в среда, която е суха, без прах и има добро проветряване.
- Не поставяйте предмети в охлаждащите отвори на зарядното устройство за акумулаторни батерии.
- Не свързвайте клемите на зарядното устройство за акумулаторни батерии към метални предмети, тъй като това може да предизвика късо съединение на зарядното устройство за акумулаторни батерии.
- Използвайте одобрени стенни контакти, които не са повредени. Уверете се, че шнурът на зарядното устройство за акумулаторни батерии не е повреден. Ако използвате удължителни кабели, се уверете, че те не са повредени.

Инструкции за безопасност при техническо обслужване



ПРЕДУПРЕЖДЕНИЕ: Прочетете следващите предупредителни инструкции, преди да извършвате техническо обслужване на продукта.

- Когато машината е спряна за обслужване, проверка или съхранение, или за смяна на принадлежност, оставете машината да се охлади, преди да правите каквито и да било проверки, настройки и т.н. Работете с машината внимателно и я поддържайте чиста.
- Отстранете акумулаторната батерия, преди да извършите техническо обслужване, други проверки или сглобяване на продукта.
- Операторът трябва да извършва само техническо обслужване и ремонтни дейности, показани в това ръководство за оператора. Обърнете се към Вашия сервизен дилър при нужда от по-сериозно техническо обслужване и сервизно обслужване.
- Поддържайте всички гайки, болтове и винтове добре затегнати, за да бъдат сигурни, че продуктът е в безопасно работно състояние.
- Сменяйте износените или повредени части.

- Ако не извършвате техническо обслужване, това намалява експлоатационния живот на продукта и увеличава риска от злополуки.
- Необходимо е специално обучение за всички дейности по обслужването и ремонтни дейности особено що се отнася до устройствата за безопасност на продукта. Ако не всички проверки

в това ръководство за оператора са одобрени след техническото обслужване, се обърнете към Вашия сервизен дилър. Ние гарантираме, че за Вашия продукт има налични професионални ремонти и обслужване.

- Използвайте само оригинални резервни части.

Монтаж

Режим на компресорно оборудване



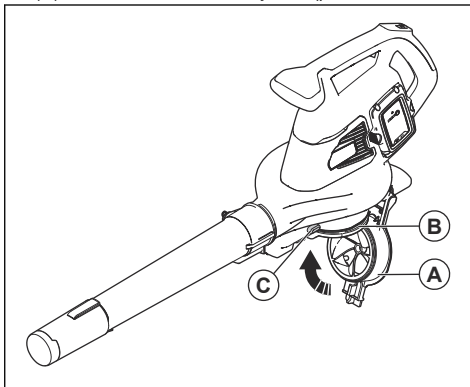
ПРЕДУПРЕЖДЕНИЕ:

Когато лопатките на ротора се завъртят или продуктът стартира случайно, може да възникне нараняване от порязване. Преди да монтирате продукта, отстранете акумулаторната батерия и изчакайте, докато лопатките на ротора спрат.

За монтиране на капака на засмукването

Забележка: Когато капакът на засмукването не е монтиран правилно, предпазен изключвател ще предотврати стартирането на компресорното оборудване.

- Затворете капака на засмукването (A) на входа на компресорното оборудване (B). Блокировката (C) се задейства, когато чуете щракване.



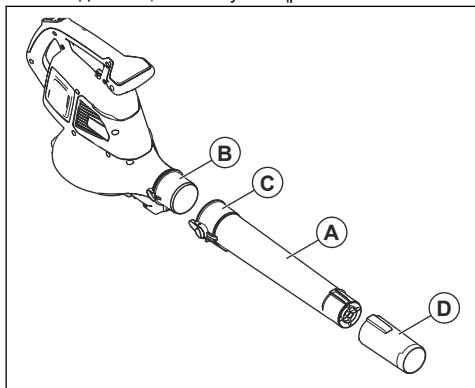
ПРЕДУПРЕЖДЕНИЕ:

Монтирайте напълно продухващата тръба и капака за засмукване, преди да използвате продукта в режим на компресорно оборудване.

За монтиране на продухващата тръба

Забележка: Когато продухващата тръба не е монтирана правилно, предпазен изключвател ще предотврати стартирането на компресорното оборудване.

1. Натиснете продухващата тръба (A) към изхода на компресорното оборудване (B). Блокировката (C) се задейства, когато чуете щракване.



2. Монтирайте дюзата на компресорното оборудване (D) към продухващата тръба. Дюзата на компресорното оборудване е фиксирана на място, когато чуете щракване.

Режим на прахосмукачка



ПРЕДУПРЕЖДЕНИЕ:

Монтирайте напълно вакуумната тръба и торбичката за събиране, преди да използвате продукта в режим на прахосмукачка.

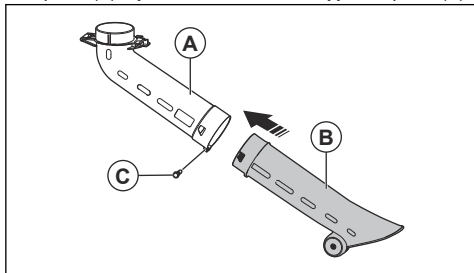
За монтиране на вакуумната тръба



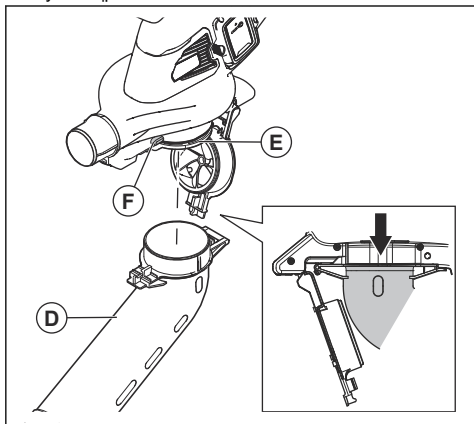
ПРЕДУПРЕЖДЕНИЕ: Преди да стартирате продукта, монтирайте горната и долната вакуумна тръба.

Забележка: Когато вакуумната тръба не е монтирана правилно, предпазен изключвател ще предотврати стартирането на прахосмукачката.

1. Подравнете слотовете на горната вакуумна тръба (A) с ушите на долната вакуумна тръба (B).



2. Натиснете долната вакуумна тръба върху горната вакуумна тръба, докато чуete щракване.
3. Затегнете винта (C).
4. Монтирайте вакуумната тръба (D) към входа за вакуум (E). Блокировката (F) се задейства, когато чуete щракване.



За монтиране на торбичката за събиране

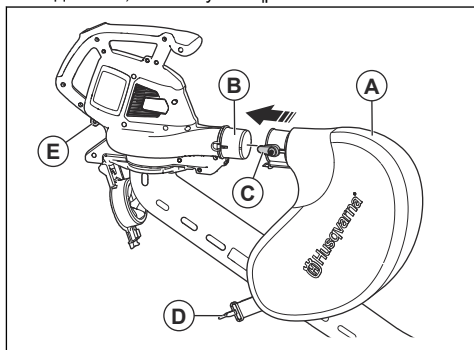
Забележка: Ако торбичката за събиране не е монтирана правилно, предпазен изключвател ще спре процедурата за стартиране на продукта.



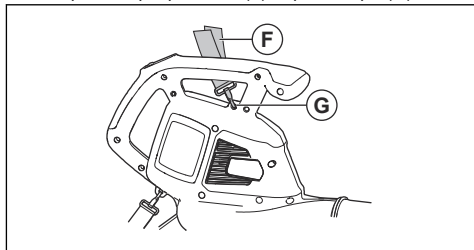
ПРЕДУПРЕЖДЕНИЕ: Спрете машината, преди да закрепите или отстраните торбата.

1. Отстранете продухващата тръба, ако е монтирана към продукта.

2. Натиснете торбичката за събиране (A) към изхода за вакуум (B). Блокировката (C) се задейства, когато чуete щракване.



3. Свържете ремъка на торбичката за събиране (D) с фиксатора (E).
4. Свържете презрамката (F) с фиксатора (G).



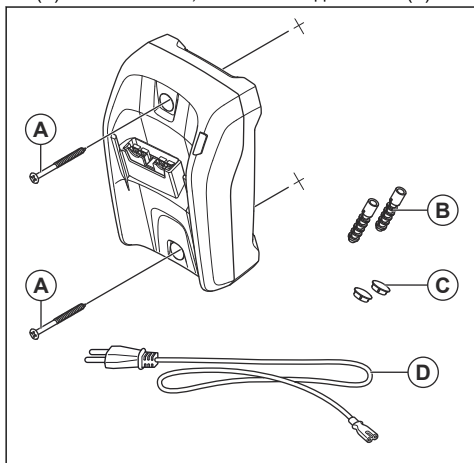
5. Уверете се, че торбичката за събиране е затворена напълно.

За монтиране на зарядното устройство за акумулаторни батерии на стената



ВНИМАНИЕ: Не използвайте електрическа отвертка, за да монтирате зарядното устройство за акумулаторни батерии към стената. Електрическа отвертка може да причини повреда на зарядното устройство за акумулаторни батерии.

1. Монтирайте зарядното устройство за акумулаторни батерии на стената с 2-та винта (A). Ако се налага, използвайте дюбелите (B).



2. Монтирайте 2-те капачки за отвори за винтове (C).
3. Свържете захранващия шнур (D) към зарядното устройство за акумулаторни батерии и стенен контакт.

Операция

Въведение



ПРЕДУПРЕЖДЕНИЕ: Прочетете и разберете раздела с инструкции за безопасност преди използване на продукта.

За проверка на функциите, преди да използвате продукта

1. Проверете въздушния филтър за замърсявания и пукнатини. Използвайте четка и почиствайте продукта от трева и листа.
2. Уверете се, че продуктът работи нормално.
3. Проверете всички гайки и винтове, за да се уверите, че са затегнати.

Акумулаторна батерия



ПРЕДУПРЕЖДЕНИЕ: Прочетете и разберете главата за безопасност преди използване на акумулаторната батерия. Прочетете и разберете ръководството за оператора за

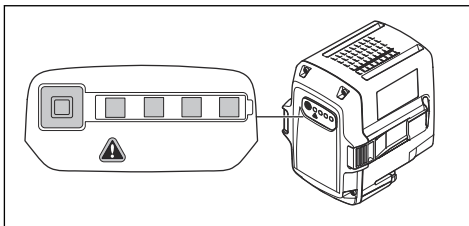
акумулаторната батерия и зарядното устройство за акумулаторни батерии.

Поддържайте правилни околни температури за акумулаторната батерия и зарядното устройство за акумулаторни батерии.

	Околна температура
Работа на акумулаторната батерия	5°C – 40°C/41°F – 104°F
Зареждане на акумулаторната батерия	5°C – 40°C/41°F – 104°F

Състояние на акумулаторната батерия

Дисплеят показва състоянието на зареждане и дали има проблеми с акумулаторната батерия.



Светодиоден индикатор	Състояние на заряд на акумулаторната батерия
4 светодиодни светлини светят	Акумулаторната батерия е заредена на 76% – 100%.

Светодиоден индикатор	Състояние на заряд на акумулаторната батерия
3 светодиодни светлини светят	Акумулаторната батерия е заредена на 51% – 75%.
2 светодиодни светлини светят	Акумулаторната батерия е заредена на 26% – 50%.
1 светодиодна светлина свети	Акумулаторната батерия е заредена на 6% – 25%.
1 светодиодна светлина мига	Акумулаторната батерия е заредена на 0% – 5%.

За зареждане на акумулаторната батерия

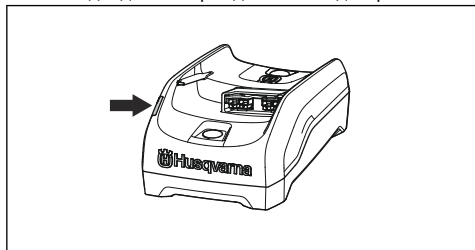
Заредете батерията, ако това е първият път, в който я използвате. Новата акумулаторна батерия е заредена само на 30%.



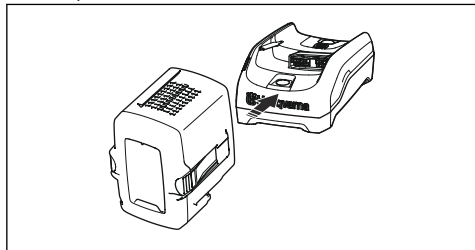
ВНИМАНИЕ: Свържете зарядното устройство за акумулаторни батерии към захранващ контакт с напрежението и честотата, указани на табелката с данни.

Акумулаторната батерия не се зарежда, ако нейната температура е по-висока от 50°C (122°F).

1. Свържете захранващия шнур към зарядното устройство за акумулаторни батерии.
2. Свържете зарядното устройство за акумулаторни батерии към заземен захранващ контакт. Светодиодът за зареждане мига еднократно.



3. Свържете акумулаторната батерия към зарядното устройство. Светодиодът за зареждане светва. Зареждайте акумулаторната батерия за най-много 24 часа.



4. Натиснете бутона на индикатора върху акумулаторната батерия; ако всички светодиодни индикатори светнат, акумулаторната батерия е напълно заредена.

5. Издърпайте захранващия щепсел, за да изключите зарядното устройство за акумулаторни батерии от захранващия контакт. Не дърпайте захранващия шнур.
6. Отстранете акумулаторната батерия от зарядното устройство.

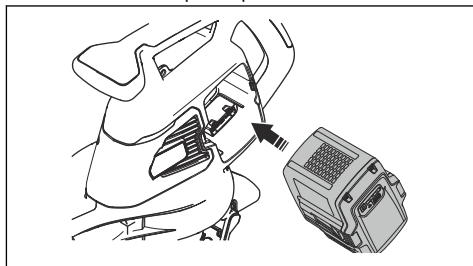
За свързване на акумулаторната батерия към продукта



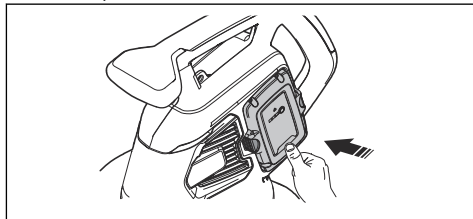
ПРЕДУПРЕЖДЕНИЕ:

Използвайте само оригинални акумулаторни батерии Husqvarna в продукта.

1. Уверете се, че акумулаторната батерия е напълно заредена.
2. Плъзнете акумулаторната батерия в държача на батерията на продукта. Акумулаторната батерия трябва да се плъзне лесно, а ако не стане така, значи не е монтирана правилно.

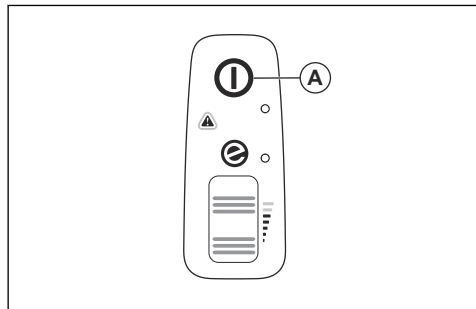


3. Натиснете долната част на акумулаторната батерия и я избутайте възможно най-навътре в отделението за акумулаторната батерия. Акумулаторната батерия ще се фиксира на място, когато чуете щракване.
4. Уверете се, че ключалките се застопоряват на място правилно.

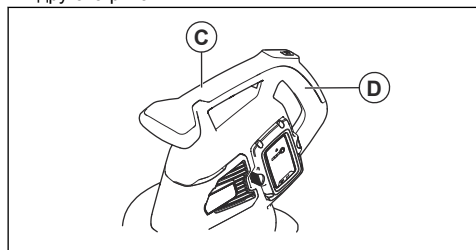


За стартиране на продукта

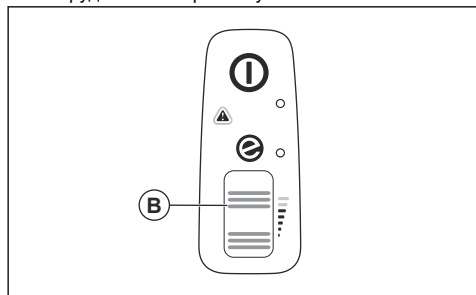
1. Натиснете и задръжте бутона за стартиране/спиране (A), докато зеленият светодиод не светне.



2. Хванете спомагателната ръкохватка (C) с една ръка и хванете основната ръкохватка (D) с другата ръка.

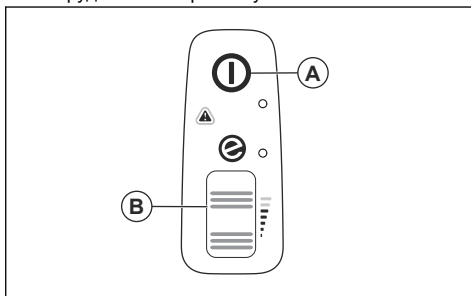


3. Превъртете превключвателя за захранване (B) нагоре, за да стартирате режима на компресорно оборудване или прахосмукачка.



За спиране на продукта

1. Превъртете превключвателя за захранване (B) надолу, за да спрете режима на компресорно оборудване или прахосмукачка.

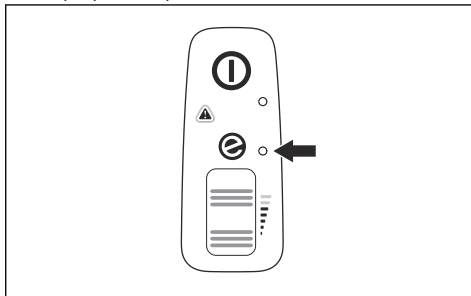


2. Натиснете и задръжте бутона за стартиране/спиране (A), докато зеленият светодиод не изгасне.

Режим ECO

Режимът ECO увеличава експлоатационния живот на акумулаторната батерия.

- Превъртете превключвателя за захранване надолу, за да стартирате режима ECO. При стартиране на режима ECO светодиодът светва.



- Превъртете превключвателя за захранване нагоре, за да стартирате нормалния режим. При стартиране на нормалния режим светодиодът изгасва.

За изпразване на торбичката за събиране



ПРЕДУПРЕЖДЕНИЕ:

Острите предмети могат да причинят нараняване. Не поставяйте ръцете си в торбичката за събиране, когато я изпразвате.

1. Спрете продукта.
2. Отстранете торбичката за събиране.
3. Обърнете вътрешната страна на торбичката за събиране навън и отстранете събраните предмети.

4. Почистете торбичката за събиране с маркуч за вода.
5. Оставете торбичката за събиране да изсъхне.
6. Монтирайте торбичката за събиране.

Функция за автоматично изключване

Продуктът разполага с автоматична функция за изключване, която го спира, ако той не се използва. Продуктът се изключва след 1 минута.

Поддръжка

Въведение



ПРЕДУПРЕЖДЕНИЕ: Преди да извършите техническо обслужване, трябва да прочетете и разберете главата за безопасност.

Следва списък със стъпките от техническото обслужване, които трябва да изпълните за Вашия продукт.

Разписание за техническо обслужване



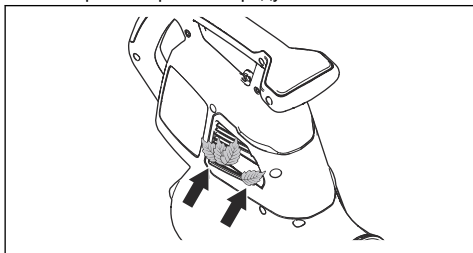
ПРЕДУПРЕЖДЕНИЕ: Отстранете акумулаторната батерия, преди да извършите техническото обслужване.

Техническо обслужване	Еже-дневно	Всяка седмица	Всеки месец
Почиствайте външната повърхност с чиста и суха кърпа. Не използвайте вода.	X		
Поддържайте ръкохватките сухи, чисти и без масло и грес.	X		
Уверете се, че бутонът за стартиране/спиране работи правилно и не е повреден.	X		
Уверете се, че превключвателят за захранване работи правилно по отношение на безопасността.	X		
Проверете дали гайките и винтовете са затегнати.	X		
Проверете акумулаторната батерия за повреда.	X		
	X		
Уверете се, че бутоните за освобождаване на акумулаторната батерия работят правилно и че акумулаторната батерия се фиксира на място в продукта.	X		
Проверете зарядното устройство за акумулаторни батерии за повреда и се уверете, че работи правилно.	X		
Проверете всички съединители, връзки и кабели за повреда и се уверете, че не са замърсени.		X	
Проверете връзките между акумулаторната батерия и продукта и връзката между акумулаторната батерия и зарядното устройство за акумулаторни батерии.			X
Почиствайте слотовете за въздушен поток с мека четка (не използвайте отвертка).	X		
Отстранете и почистете продухващата тръба или вакуумната тръба.	X		

Техническо обслужване	Еже-дневно	Всяка седмица	Всеки месец
Изпразнете и почистете торбичката за събиране. Направете справка с <i>За изпразване на торбичката за събиране на страница 32.</i>	X		
Отстранете тревата, листата, замърсяването и всякакъв нежелан материал от смукателния отвор и капака на засмукването.	X		
Проверете работното колело на вентилатора за замърсяване и го почистете, ако е необходимо, с тъп и дълъг предмет.	X		

За извършване на проверка на смукателния въздухопровод

1. Уверете се, че смукателният въздухопровод не е блокиран от страни на продукта.



2. Спрете продукта и отстранете листата или нежелания материал, ако е необходимо.



ВНИМАНИЕ: Блокираният смукателен въздухопровод намалява капацитета на издухване на продукта и повишава работната температура на двигателя. Това може да доведе

до неизправност на двигателя, защото той става твърде горещ.

За проверка на батерията и зарядното устройство

1. Проверете батерията за повреди, като например пукнатини.
2. Проверете зарядното устройство за повреди, като например пукнатини.
3. Уверете се, че свързващият кабел на зарядното устройство не е повреден и напукан.

За почистване на продукта, батерията и зарядното устройство

1. Почиствайте продукта със сух парцал след употреба.
2. Почиствайте батерията и зарядното устройство със сух парцал. Дръжте водачите на батерията чисти.
3. Уверете се, че клемите на батерията и зарядното устройство са чисти, преди батерията да е поставена в зарядното устройство или в продукта.

Отстраняване на проблеми

Потребителски интерфейс

Потребителски интерфейс	Възможни неизправности	Възможно решение
Червеният светодиод за грешка мига.	Температурно отклонение.	Оставете продукта да се охлади.
	Тръбата или капакът на вентилатора е отстранен.	Монтирайте тръбата или капака на вентилатора.
	Грешка на акумулаторната батерия.	Сменете или заредете акумулаторната батерия.
	Необходимо е сервизно обслужване.	Говорете с дистрибутора по сервизното обслужване.
Продуктът не стартира.	Мръсотия в клемите на акумулаторната батерия.	Почистете със състен въздух или с мека четка.

Акумулаторна батерия

Светодиоден дисплей	Възможни неизправности	Възможно решение
Зеленият светодиод мига.	Ниско напрежение на акумулаторната батерия.	Заредете акумулаторната батерия.
Светодиодът за грешка мига.	Температурно отклонение.	Използвайте акумулаторната батерия при температури между -10°C (14°F) и 40°C (104°F).
	Твърде високо напрежение.	Уверете се, че мрежовото напрежение съответства на напрежението на продукта. Направете справка с табелката с данни на продукта. Отстранете акумулаторната батерия от зарядното устройство.
Светодиодът за грешка светва.	Твърде голяма разлика в клетките (1 V).	Говорете с дистрибутора по сервизното обслужване.

Зарядно устройство за акумулатора

Състояние	Възможни неизправности	Възможна процедура
Светодиодът за зареждане свети в червено.	Постоянна грешка в зарядното устройство за акумулаторни батерии.	Говорете с Вашия дилър.
Светодиодът за зареждане мига в зелено.	Температурно отклонение, акумулаторната батерия е твърде студена или твърде гореща за използване или зареждане.	Оставете акумулаторната батерия да изстине или я загрейте. Когато акумулаторната батерия е с правилната температура, тя може да се използва или зарежда отново. Използвайте зарядното устройство за акумулаторни батерии при температури на околната среда между 5°C (41°F) и 40°C (104°F).
Светодиодът за зареждане мига в червено.	Неизправна акумулаторна батерия	Говорете с Вашия дилър.

Транспортиране, съхранение и изхвърляне

Транспорт и съхранение

- Доставените литиевойонни акумулаторни батерии отговарят на изискванията на законодателството за опасни продукти.
- Специалното изискване на опаковката и етикетите за търговско транспортиране трябва да се спазва, включително от трети страни и следитори.
- Обърнете се към човек, преминал специално обучение за работа с опасни материали, преди да изпратите продукта. Спазвайте всички приложими национални регламенти.
- Поставете тиксо върху откритите терминали, когато поставяте акумулаторната батерия в опаковка. Поставете акумулаторната батерия плътно в опаковката, за да предотвратите движение.
- Винаги оставяйте машината да се охлади преди съхранение.
- Извадете акумулаторната батерия при съхранение или транспортиране.
- Поставете акумулаторната батерия и зарядното устройство в сухо пространство, в което няма влага и скреж.
- Не съхранявайте акумулаторната батерия на места, където може да се натрупа статично електричество. Не съхранявайте акумулаторната батерия в метална кутия.
- Поставете акумулаторната батерия за съхранение при температура между 5°C/41°F и 25°C/77°F и далеч от пряка слънчева светлина.

- Поставете зарядното устройство за съхранение при температура между 5°C/41°F и 45°C/113°F и далеч от пряка слънчева светлина.
- Използвайте зарядното устройство само когато околната температура е между 5°C/41°F и 40°C/104°F.
- Заредете акумулаторната батерия между 30% и 50%, преди да я оставите за съхранение за продължително време.
- Съхранявайте зарядното устройство в затворено и сухо пространство.
- При съхранение дръжте акумулаторната батерия и зарядното устройство отделно. Не позволявайте на деца или други неодоброени лица да имат контакт с оборудването. Дръжте оборудването в пространство, което можете да заключавате.
- Почистете продукта и извършете пълно обслужване, преди да го съхранявате продължително време.
- Използвайте защитата при транспортиране на продукта, за да предотвратите наранявания или повреди на продукта по време на транспортиране и съхранение.
- Закрепете продукта безопасно при транспортиране.

Изхвърляне на акумулаторната батерия, зарядното устройство за акумулаторни батерии и продукта

Символът по-долу означава, че продуктът не е битов отпадък. Рециклирайте го в станция за рециклиране за електрическо и електронно оборудване. Това

помага да се предотврати увреждане на околната среда или на лица.

Обърнете се към местните власти, услугите за битови отпадъци и Вашия дилър за повече информация.



Забележка: Символът се намира на продукта или на опаковката на продукта.

Технически данни

Технически характеристики

	120iBV
Двигател	
Тип на двигателя	BLDC (безчетков) 36 V
Тегло	
Тегло без акумулаторна батерия, kg	4,6
Шумови емисии ⁴	
Ниво на звуковата мощност, измерено, измерена dB (A)	97
Ниво на звуковата мощност, гарантирано L _{WA} dB (A)	100
Нива на шума ⁵	
Еквивалентно ниво на звуковото налягане при ухото на оператора, измерено съгласно EN/ISO 11203 и ISO 22868, dB (A):	84
Нива на вибрациите ⁶	
Нива на вибрациите при предната/задната ръкохватка, измерени съгласно ISO 22867, m/s ²	1,4/1,7
Работа на вентилатора	
Въздушен поток в нормален режим със стандартна дюза, m ³ /min	6,7
Максимална скорост на въздуха в нормален режим със стандартна дюза, m/s / mph	50/111

Данните за шум и вибрации се определят въз основа на изчислените максимални обороти.

⁴ Емисии на шума в околната среда, измерени като звукова мощност (L_{WA}) в съответствие с директива на ЕО 2000/14/ЕО. Отчетените нива на шума за машината са измерени с оригиналното режещо оборудване, което дава най-високото ниво. Разликата между гарантираното и измереното ниво на шума е в това, че гарантираното ниво на шума включва също и дисперсията в резултатите от измерването, както и вариациите между различните машини от един и същи модел в съответствие с Директива 2000/14/ЕО.

⁵ Отчетените данни за еквивалентното ниво на звуковото налягане за машината имат типична статистическа дисперсия (стандартно отклонение) от 3 dB (A).

⁶ Отчетените данни за нивото на вибрациите имат типична статистическа дисперсия (стандартно отклонение) от 1,5 m/s².

Одобрени акумулатори

Използвайте само Husqvarna оригинални акумулаторни батерии 40-B за този продукт.

Одобрени акумулаторни батерии

Акумулаторна батерия	40-B140
Тип	Литиевойонен
Капацитет на акумулаторната батерия, Ah	4
Номинално напрежение, V	36
Тегло, kg	1,25

Одобрени зарядни устройства за акумулаторни батерии

Зарядно устройство за акумулатора	40-C80
Напрежение на мрежата, V	100 – 240
Честота, Hz	50 – 60
Мощност, W	72
Изходно напрежение, V прав ток/ амperi, A	43/1,6

Декларация за съответствие

Декларация за съответствие на ЕС

Ние, **Husqvarna AB**, SE-561 82 Huskvarna, ШВЕЦИЯ,
тел.: +46-36-146500, декларираме на своя собствена
отговорност, че продуктът:

Описание	Ръчно градинско компресорно оборудване/прахосмукачка
Марка	Husqvarna
Тип/модел	120iBV
Идентификация	Серийни номера от 2022 г. и след това

отговаря напълно на следните директиви и
регламенти на ЕС:

Регламент	Описание
2006/42/ЕО	"относно машините"
2014/30/ЕС	"относно електромагнитната съвместимост"
2011/65/ЕС	"по отношение на ограничението за използване на определени опасни вещества в електрическо и електронно оборудване"
2000/14/ЕО	"относно шумовите емисии в околната среда"

и че следните стандарти и/или
технически характеристики са приложени:
EN 60335-1:2012+A11+A13+A14+A2+A15, EN
50636-2-100:2014, EN IEC 63000:2018, EN ISO
12100:2010, EN IEC 55014-1:2021; EN IEC
55014-2:2021

В съответствие с директива 2000/14/ЕО, приложение
V, направете справка с *Технически данни на*
страница 37 за обявените стойности на звука.

Huskvarna, 2023-01-16



Claes Losdal, мениджър по развойна дейност,
Husqvarna AB

Отговорен за техническата документация

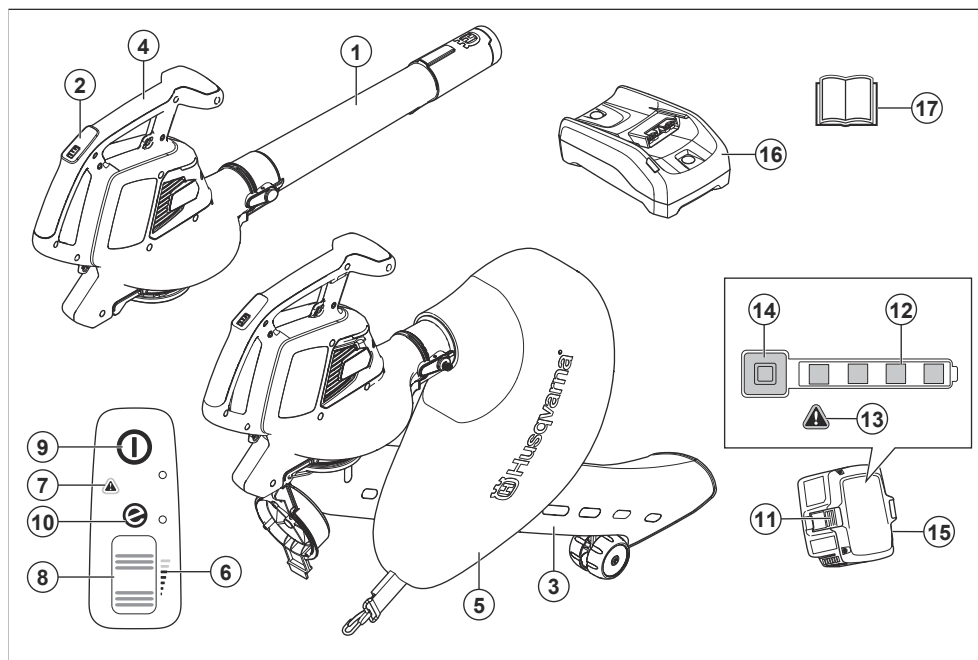


Περιεχόμενα

Εισαγωγή.....	40	Αντιμετώπιση προβλημάτων.....	54
Ασφάλεια.....	42	Μεταφορά, αποθήκευση και απόρριψη.....	56
Συναρμολόγηση.....	48	Τεχνικά στοιχεία.....	56
Λειτουργία.....	50	Δήλωση συμμόρφωσης.....	59
Συντήρηση.....	53		

Εισαγωγή

Επισκόπηση προϊόντος



1. Σωλήνας φυσητήρα φύλλων
2. Πληκτρολόγιο
3. Σωλήνας αναρροφητήρα
4. Λαβή
5. Σάκος συλλογής
6. Ένδειξη παροχής αέρα
7. Προειδοποιητική λυχνία (LED σφάλματος)
8. Κινητήριος τροχός
9. Κουμπί εκκίνησης/διακοπής λειτουργίας
10. Ένδειξη λειτουργίας εξοικονόμησης SavE
11. Κουμπί απασφάλισης μπαταρίας
12. Κατάσταση μπαταρίας
13. Προειδοποιητική λυχνία (LED σφάλματος)

14. Ένδειξη λειτουργίας και προεידιοποίησης
15. Μπαταρία, περιλαμβάνεται μόνο στο kit φυσητήρα Husqvarna 120iBV
16. Φορτιστής μπαταρίας, περιλαμβάνεται μόνο στο kit φυσητήρα Husqvarna 120iBV
17. Εγχειρίδιο χρήσης

Περιγραφή προϊόντος

Το Husqvarna 120iBV είναι ένα μοντέλο φυσητήρα φύλλων/αναρροφητήρα κήπου με ηλεκτρικό μοτέρ.

Εφαρμόζουμε μια πολιτική συνεχούς ανάπτυξης προϊόντων και, συνεπώς, διατηρούμε το δικαίωμα να προβούμε σε τροποποιήσεις στο σχεδιασμό και την εμφάνιση των προϊόντων χωρίς προειδοποίηση.

Προβλεπόμενη χρήση

Λειτουργία φυσητήρα φύλλων: Ο φυσητήρας φύλλων είναι σχεδιασμένος για να φυσά σωματίδια βρομιάς ή υπολείμματα κομμένου γρασιδιού μακριά από μονοπάτια, ιδιωτικούς δρόμους, αυλές και παράμοια υλικά. Είναι επίσης σχεδιασμένος για να φυσά υπολείμματα κομμένου γρασιδιού, άχυρα ή φύλλα για τη δημιουργία σωρών ή για να αφαιρεί σωματίδια βρομιάς από γωνίες, συνδέσμους ή κενά μεταξύ πλακιδίων ή τούβλων.

Λειτουργία αναρροφητήρα: Ο αναρροφητήρας είναι σχεδιασμένος για την αναρρόφηση ξηρών υλικών. Αυτό περιλαμβάνει φύλλα, γρασιδί, μικρά κλαδιά και κομμάτια χαρτιού.

Σύμβολα στο προϊόν



ΠΡΟΕΙΔΟΠΟΙΗΣΗ: Αυτό το προϊόν μπορεί να είναι επικίνδυνο και να προκαλέσει σοβαρό τραυματισμό ή θάνατο του χειριστή ή άλλων ατόμων. Να είστε προσεκτικοί και να χρησιμοποιείτε το προϊόν σωστά.



Διαβάστε προσεκτικά το εγχειρίδιο χρήσης και βεβαιωθείτε ότι έχετε κατανοήσει τις οδηγίες προτού χρησιμοποιήσετε αυτό το προϊόν.



Χρησιμοποιείτε εγκεκριμένη προστασία ματιών.



Ονομαστική τάση, V



Συνεχές ρεύμα.



Ετικέτα εκπομπών θορύβου στο περιβάλλον σύμφωνα με οδηγίες και κανονισμούς της ΕΕ και του Η.Β. και τη νομοθεσία της Νότιας Νέας Ουαλίας "Κανονισμός για την προστασία των περιβαλλοντικών δράσεων (έλεγχος θορύβου) του 2017". Η εγγυημένη στάθμη θορύβου του προϊόντος καθορίζεται στην ενότητα *Τεχνικά στοιχεία στη σελίδα 56* και στην ετικέτα.



Αποσυνδέστε την μπαταρία πριν από τη συντήρηση.



Το προϊόν ή η συσκευασία του προϊόντος δεν αποτελεί οικιακό απόρριμμα. Ανακυκλώστε το σε κέντρο ανακύκλωσης ηλεκτρικού και ηλεκτρονικού εξοπλισμού.



Το προϊόν συμμορφώνεται με τις ισχύουσες οδηγίες ΕΚ.



Αυτό το προϊόν συμμορφώνεται με τις ισχύουσες οδηγίες του Η.Β.



Αποφύγετε την έκθεση στη βροχή.



Περιμένετε μέχρι να σταματήσουν τα πτερύγια του ρότορα μετά την απενεργοποίηση του προϊόντος.



Χρησιμοποιείτε το προϊόν στη λειτουργία αναρρόφησης μόνο όταν ο σωλήνας είναι πλήρως συναρμολογημένος.



Ο χειριστής του φυσητήρα πρέπει να διασφαλίσει ότι κατά τη διάρκεια της εργασίας δεν θα προσεγγίσουν τον χώρο πρόσωπα ή ζώα σε απόσταση μικρότερη των 15 μέτρων. Όταν εργάζονται πολλοί χειριστές εντός του ίδιου χώρου, πρέπει να τηρούν μια απόσταση ασφαλείας τουλάχιστον 15 μέτρων μεταξύ τους. Ο φυσητήρας μπορεί να εκσφενδονίσει αντικείμενα με μεγάλη δύναμη, τα οποία μπορούν να αναπηδήσουν προς τα πίσω. Αυτό μπορεί να έχει ως αποτέλεσμα σοβαρό τραυματισμό των ματιών, αν δεν χρησιμοποιηθεί ο συνιστώμενος εξοπλισμός ασφαλείας.

yyyy wwxxxxx

Η πινακίδα τεχνικών χαρακτηριστικών δείχνει τον αριθμό σειράς. Το **yyyy** είναι το έτος παραγωγής, το **ww** είναι η εβδομάδα παραγωγής.

Περιεχόμενα Άλλα σύμβολα/σήματα που υπάρχουν στο παρελκόμενο αφορούν ειδικές απαιτήσεις πιστοποίησης για συγκεκριμένες αγορές.

Σύμβολα στην μπαταρία ή/και στο φορτιστή της μπαταρίας



Ανακυκλώστε αυτό το προϊόν σε κέντρο ανακύκλωσης ηλεκτρικού και ηλεκτρονικού εξοπλισμού. (Ισχύει μόνο για την Ευρώπη)



Μετασηματιστής εξασφαλισμένης λειτουργίας σε περίπτωση βλάβης.



Χρησιμοποιείτε και φυλάσσετε το φορτιστή μπαταρίας μόνο σε εσωτερικούς χώρους.



Διπλή μόνωση.

Κατασκευαστής

Husqvarna AB

Drottninggatan 2, SE-561 82 Huskvarna

Ζημιά στο προϊόν

Δεν φέρουμε ευθύνη για ζημιές στο προϊόν μας εάν:

- Το προϊόν έχει επισκευαστεί λανθασμένα.
- Το προϊόν έχει επισκευαστεί με εξαρτήματα που δεν προέρχονται από τον κατασκευαστή ή που δεν έχουν εγκριθεί από τον κατασκευαστή.
- Το προϊόν διαθέτει ένα αξεσουάρ που δεν προέρχεται από τον κατασκευαστή ή που δεν έχει εγκριθεί από τον κατασκευαστή.
- Το προϊόν δεν έχει επισκευαστεί σε εγκεκριμένο κέντρο σέρβις ή από εγκεκριμένη αρχή.

Ασφάλεια

Ορισμοί για την ασφάλεια

Για την επισήμανση ειδικών σημαντικών τμημάτων του εγχειριδίου χρήσης χρησιμοποιούνται προειδοποιήσεις, συστάσεις προσοχής και σημειώσεις.



ΠΡΟΕΙΔΟΠΟΙΗΣΗ: Χρησιμοποιείται όταν υπάρχει κίνδυνος τραυματισμού ή θανάτου του χειριστή ή άλλων παριστάμενων ατόμων, αν δεν τηρηθούν οι οδηγίες που παρέχονται στο εγχειρίδιο.



ΠΡΟΣΟΧΗ: Χρησιμοποιείται όταν υπάρχει κίνδυνος πρόκλησης ζημιάς στο προϊόν ή/και στο παρελκόμενο, σε άλλα υλικά ή στον παρακείμενο χώρο, αν δεν τηρηθούν οι οδηγίες που παρέχονται στο εγχειρίδιο.

Περιεχόμενα Χρησιμοποιείται για παροχή περισσότερων πληροφοριών, οι οποίες χρειάζονται σε μια δεδομένη κατάσταση.

Γενικές οδηγίες ασφαλείας



ΠΡΟΕΙΔΟΠΟΙΗΣΗ: Προτού χρησιμοποιήσετε το προϊόν, διαβάστε τις παρακάτω προειδοποιητικές οδηγίες.

- Διαβάστε προσεκτικά τις οδηγίες για να μάθετε τα χειριστήρια και τη σωστή λειτουργία του μηχανήματος. Η λανθασμένη ή απρόσεκτη χρήση του προϊόντος μπορεί να το μετατρέψει σε επικίνδυνο εργαλείο, ικανό να προκαλέσει σοβαρό ή ακόμα και θανατηφόρο τραυματισμό στον χειριστή ή σε άλλα άτομα.
- Δεν επιτρέπονται, σε καμία περίπτωση, τροποποιήσεις στη σχεδίαση του προϊόντος χωρίς την έγκριση του κατασκευαστή. Να μην χρησιμοποιείτε ποτέ προϊόν που έχει τροποποιηθεί με οποιονδήποτε τρόπο από τις αρχικές προδιαγραφές του και να χρησιμοποιείτε πάντα γνήσια αξεσουάρ. Η μη εξουσιοδοτημένη εκτέλεση τροποποιήσεων ή/και η χρήση μη γνήσιων αξεσουάρ μπορεί να οδηγήσει σε σοβαρό προσωπικό τραυματισμό ή θάνατο του χειριστή ή άλλων ατόμων. Η εγγύηση μπορεί να μην καλύπτει ζημιές ή νομικές ευθύνες που μπορεί να προκύψουν από τη χρήση μη εγκεκριμένων αξεσουάρ ή ανταλλακτικών.
- Αυτό το προϊόν παράγει ηλεκτρομαγνητικό πεδίο κατά τη λειτουργία του. Το πεδίο αυτό, υπό ορισμένες συνθήκες, μπορεί να προκαλέσει παρεμβολές σε ενεργά ή παθητικά ιατρικά εμφυτεύματα. Προκειμένου να μειωθεί ο κίνδυνος παθήσεων που μπορεί να προκαλέσουν τραυματισμό ή θάνατο, συνιστούμε στα άτομα με ιατρικά εμφυτεύματα να συμβουλευτούν το θεράποντα ιατρό τους και τον κατασκευαστή του ιατρικού εμφυτεύματος, πριν να θέσουν το προϊόν σε λειτουργία.

- Αφαιρέστε την μπαταρία από το προϊόν πριν από τη φόρτιση.

Γενικές προειδοποιήσεις ασφαλείας ηλεκτρικού εργαλείου

Έλεγχος πριν από την εκκίνηση

- Επιθεώρηστε τον χώρο εργασίας. Απομακρύνετε όλα τα σκόρπια αντικείμενα, όπως πέτρες, σπασμένα γυαλιά, καρφιά, ατσάλινα υφάσματα, σπάγκους κ.λπ, τα οποία μπορεί να εκσφενδονιστούν.
- Αφαιρείτε πάντα τη μπαταρία για να αποτρέψετε ακούσια εκκίνηση του μηχανήματος. Αποσυνδέετε πάντα την μπαταρία προτού εκτελέσετε συντήρηση στο μηχάνημα.
- Πριν τη χρήση του μηχανήματος μετά από πρόσκρουση, ελέγξτε για ενδείξεις φθοράς ή ζημιάς και επισκευάστε όπως απαιτείται.
- Χρησιμοποιείτε πάντα γνήσια ανταλλακτικά.
- Ο χειριστής του μηχανήματος πρέπει να διασφαλίσει ότι κατά τη διάρκεια της εργασίας δεν προσεγγίζουν το χώρο πρόσωπα ή ζώα σε απόσταση μικρότερη των 15 μέτρων. Όταν εργάζονται πολλοί χειριστές στην ίδια περιοχή, η απόσταση ασφαλείας πρέπει να είναι τουλάχιστον 15 μέτρα.
- Κάντε μία γενική επιθεώρηση στο μηχάνημα πριν από τη χρήση, ανατρέξτε στο πρόγραμμα συντήρησης.
- Για τη χρήση ενδέχεται να ισχύουν εθνικοί ή τοπικοί κανονισμοί. Οι εκάστοτε κανονισμοί πρέπει να τηρούνται.

Προσωπική ασφάλεια

- **Να είστε προσεκτικοί, να παρακολουθείτε αυτό που κάνετε και να χρησιμοποιείτε την κοινή λογική όταν χρησιμοποιείτε ένα ηλεκτρικό εργαλείο. Μην χρησιμοποιείτε ηλεκτρικά εργαλεία όταν είστε κουρασμένοι ή υπό την επήρεια ναρκωτικών, αλκοόλ ή φαρμάκων.** Μια στιγμή απροσεξίας, κατά τον χειρισμό ηλεκτρικών εργαλείων, μπορεί να οδηγήσει σε σοβαρό τραυματισμό.
- Απομακρύνετε τυχόν παριστάμενα άτομα.
- Αυτή η συσκευή δεν προορίζεται για χρήση από άτομα (συμπεριλαμβανομένων των παιδιών) με μειωμένες κινητικές, αισθητήριες ή νοητικές ικανότητες ή με άτομα με έλλειψη γνώσεων και εμπειρίας, εκτός και εάν τελούν υπό την εποπτεία ή καθοδήγηση ατόμου υπεύθυνου για την ασφάλειά τους αναφορικά με τη χρήση αυτού του μηχανήματος. Τα παιδιά πρέπει να εποπτεύονται ώστε να διασφαλιστεί ότι δεν παίζουν με τη συσκευή.
- Μην επιτρέπετε ποτέ σε παιδιά ή άλλα άτομα, που δεν έχουν εξοικειωθεί με αυτές τις οδηγίες, να χρησιμοποιήσουν το προϊόν. Οι τοπικοί κανονισμοί μπορεί να θέτουν περιορισμούς για την ηλικία του χειριστή.
- Μην αφήνετε να πλησιάσουν μη εξουσιοδοτημένα άτομα. Παιδιά, ζώα, παριστάμενα άτομα και βοηθοί θα πρέπει να παραμένουν εκτός της ζώνης

- ασφαλείας των 15 μέτρων (50 ποδιών). Εάν κάποιο άτομο πλησιάσει, σταματήστε αμέσως το μηχάνημα.
- Αποθηκεύστε τον εξοπλισμό σε χώρο που κλειδώνει, ώστε να μην έχουν πρόσβαση παιδιά και μη εξουσιοδοτημένα άτομα.
- Μην χρησιμοποιείτε το μηχάνημα σε πλακόστρωτες επιφάνειες ή επιφάνειες με χαλίκι, όπου τυχόν εκτινασόμενα υλικά μπορεί να προκαλέσουν τραυματισμό.
- Κατά τη λειτουργία του μηχανήματος, πρέπει πάντα να φοράτε σωστά υποδήματα και μακρύ παντελόνι. Μην χρησιμοποιείτε το μηχάνημα με γυμνό πόδι ή φορώντας σανδάλια. Αποφεύγετε να φοράτε ριχτά ρούχα, ρούχα με κορδόνια ή γραβάτες.
- Μην φοράτε ριχτά ρούχα ή κοσμήματα τα οποία μπορεί να αναρροφηθούν από την είσοδο του αέρα. Φροντίστε τα μακριά μαλλιά να βρίσκονται μακριά από τις εισόδους αέρα.
- Μην χρησιμοποιείτε ποτέ το μηχάνημα εάν είστε κουρασμένοι, έχετε καταναλώσει αλκοόλ ή παίρνετε φάρμακα που μπορεί να επηρεάσουν την όραση, την κρίση ή τον συντονισμό σας.
- Φοράτε εξοπλισμό ατομικής προστασίας. Διαβάστε τις οδηγίες κάτω από την επικεφαλίδα "Εξοπλισμός ατομικής προστασίας".
- Αφαιρείτε πάντα την μπαταρία όταν παραδίδετε το μηχάνημα σε άλλο πρόσωπο.
- Να θυμάστε ότι εσείς, ο χειριστής, είστε υπεύθυνος για τη μη έκθεση ανθρώπων ή αντικειμένων σε ατυχήματα ή κινδύνους.

Χρήση και φροντίδα των ηλεκτρικών εργαλείων

- Μην χρησιμοποιείτε ποτέ το μηχάνημα, εάν έχει τροποποιηθεί με οποιονδήποτε τρόπο από τις αρχικές προδιαγραφές του. Ποτέ μην χρησιμοποιείτε το μηχάνημα κοντά σε εκρηκτικά ή εύφλεκτα υλικά.
- Μην χρησιμοποιείτε ποτέ το μηχάνημα εάν παρουσιάζει πρόβλημα. Εκτελείτε όλους τους ελέγχους ασφαλείας και τηρείτε τις οδηγίες συντήρησης και επισκευής που αναφέρονται στο παρόν εγχειρίδιο. Μερικά μέτρα συντήρησης και επισκευής πρέπει να εκτελούνται από εκπαιδευμένο και ειδικευμένο προσωπικό. Διαβάστε τις οδηγίες κάτω από την επικεφαλίδα Συντήρηση.
- Χρησιμοποιείτε πάντα γνήσια ανταλλακτικά.
- Να βεβαιώνετε πάντα ότι τα ανοίγματα αερισμού δεν έχουν φράξει από υπολείμματα υλικών.
- Όλα τα καλύμματα, τα προστατευτικά και οι λαβές πρέπει να είναι τοποθετημένα πριν την εκκίνηση.
- Να χρησιμοποιείτε το μηχάνημα μόνο με το φως της ημέρας ή σε συνθήκες καλού φωτισμού.
- Μην χρησιμοποιείτε ποτέ το μηχάνημα όταν επικρατούν άσχημες καιρικές συνθήκες, για παράδειγμα σε ομίχλη, σε βροχή, σε σημεία με νερά ή υγρασία, όταν πνέουν ισχυροί άνεμοι, όταν επικρατεί έντονο κρύο, κίνδυνος πτώσης κεραυνών κ.λπ. Ο υπερβολικά ζεστός καιρός μπορεί

να προκαλέσει υπερθέρμανση του μηχανήματος. Η χρήση του προϊόντος σε άσχημες καιρικές συνθήκες είναι κουραστική και μπορεί να προκαλέσει επικίνδυνες συνθήκες, για παράδειγμα ολισθηρές επιφάνειες.

- Εάν εμφανιστούν ασυνήθιστο κραδασμό, σταματήστε το μηχάνημα και αφαιρέστε την μπαταρία.
- Περπατάτε, ποτέ μην τρέχετε.

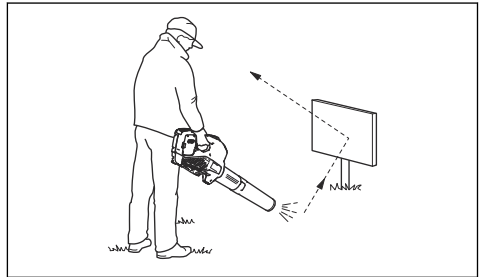
Οδηγίες ασφαλείας για τη λειτουργία



ΠΡΟΕΙΔΟΠΟΙΗΣΗ: Προτού χρησιμοποιήσετε το προϊόν, διαβάστε τις παρακάτω προειδοποιητικές οδηγίες.

- Εάν προκύψει μια κατάσταση όπου δεν είστε σίγουροι για το πώς πρέπει να προχωρήσετε, θα πρέπει να ζητήσετε τη συμβουλή ειδικού. Επικοινωνήστε με τον αντιπρόσωπο ή το συνεργείο σας. Αποφεύγετε τις καταστάσεις χρήσης, τις οποίες θεωρείτε πέραν των δυνατοτήτων σας.
- Βεβαιωθείτε ότι μπορείτε να κινηθείτε και να σταθείτε όρθιοι με ασφάλεια. Ελέγξτε την περιοχή γύρω σας για πιθανά εμπόδια (ρίζες, βράχια, κλαδιά, χαντάκια κ.λπ.) για την περίπτωση που χρειαστεί να μετακινηθείτε ξαφνικά. Να είστε ιδιαίτερα προσεκτικοί όταν εργάζεστε σε έδαφος με κλίση.
- Να διατηρείτε καλή ισορροπία και σταθερό πάτημα όλη την ώρα. Μην τεντώνετε υπερβολικά.
- Να επιδεικνύετε ιδιαίτερη προσοχή για τυχόν προειδοποιητικά σήματα ή κραυγές όταν φοράτε τα προστατευτικά ακοής. Βγάξτε πάντα τα προστατευτικά ακοής μόλις σταματήσει το προϊόν.
- Μην χρησιμοποιείτε το προϊόν κοντά σε ανοικτά παράθυρα.
- Δείξτε ότι νοιάζεστε για τα άτομα γύρω σας αποφεύγοντας τη χρήση του προϊόντος σε ακατάλληλες ώρες, όπως αργά το βράδυ ή νωρίς το πρωί. Τηρείτε τους τοπικούς κανονισμούς και τις ισχύουσες διατάξεις.
- Χρησιμοποιείτε το προϊόν με την ελάχιστη δυνατή ροή αέρα. Σπανίως χρειάζεται να χρησιμοποιηθεί η πλήρης ροή αέρα και πολλές εργασίες μπορούν να εκτελεστούν με τη μισή ροή αέρα. Η χαμηλότερη ροή αέρα σημαίνει λιγότερο θόρυβο και λιγότερη σκόνη, ενώ είναι πιο εύκολο να διατηρείτε τον έλεγχο των σκουπιδιών που συγκεντρώνονται/μετακινούνται.
- Σε συνθήκες με σκόνη, βρέξτε ελαφρώς την επιφάνεια όταν χρησιμοποιείτε το προϊόν.
- Χρησιμοποιήστε τσουγκράνα ή βούρτσα για να αποδεσμεύσετε τα σκουπίδια που είναι κολλημένα στο έδαφος.
- Διατηρείτε το άνοιγμα του φυσητήρα όσο το δυνατόν πιο κοντά στο έδαφος.
- Παρακολουθείτε τον περιβάλλοντα χώρο. Μην κατευθύνετε το προϊόν προς άλλα άτομα, ζώα, χώρους αθλοπαιδιών, αυτοκίνητα κ.λπ.

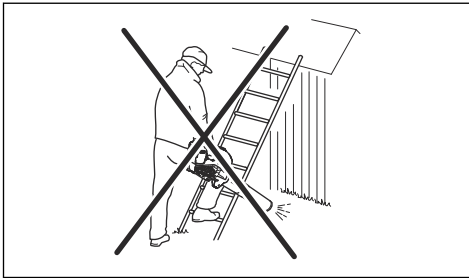
- Για να ελαχιστοποιήσετε τον χρόνο χρήσης του φυσητήρα φύλλων, μπορείτε να υγράνετε ελαφρώς τις σκονισμένες περιοχές ή να χρησιμοποιήσετε εξοπλισμό ψεκασμού.
- Πρέπει να προσέχετε την κατεύθυνση του ανέμου. Οι εργασίες γίνονται πιο εύκολα προς την κατεύθυνση του ανέμου.
- Αν το προϊόν αρχίσει να δονείται με ασυνήθιστο τρόπο, διακόψτε τη λειτουργία του και αφαιρέστε την μπαταρία.
- Η χρήση του φυσητήρα φύλλων για μετακίνηση μεγάλων σωρών είναι χρονοβόρα και παράγει περιπό θόρυβο.
- Πρέπει να καθαρίζετε την περιοχή μετά το τέλος της εργασίας. Βεβαιωθείτε ότι δεν έχετε ωθήσει με τον αέρα σκουπίδια στον κήπο κάποιου άλλου.
- Μην τρέχετε ενώ χρησιμοποιείτε το προϊόν.
- Τα ισχυρά ρεύματα αέρα μπορεί να μετακινήσουν αντικείμενα με τόσο μεγάλη ταχύτητα ώστε να αναπηδήσουν και να προκαλέσουν σοβαρό τραυματισμό στα μάτια.



- Μην κατευθύνετε τη ροή του αέρα προς ανθρώπους ή ζώα.
- Προτού συναρμολογήσετε ή αποσυναρμολογήσετε αξεσουάρ ή άλλα εξαρτήματα, πρέπει να σβήσετε τον κινητήρα.
- Μην πλησιάζετε οποιοδήποτε μέλος του σώματός σας σε καυτές επιφάνειες.
- Μην αφήνετε ποτέ το προϊόν κάτω όταν βρίσκεται σε λειτουργία, παρά μόνο αν μπορείτε να το παρακολουθείτε ανεμπόδιστα.
- Απενεργοποιήστε το μηχάνημα και αφαιρέστε την μπαταρία. Βεβαιωθείτε ότι όλα τα κινούμενα μέρη έχουν σταματήσει τελείως:
 - όταν απομακρύνετε από το μηχάνημα
 - πριν από την αποκατάσταση εμφράξεων ή την απόφραξη της χοάνης
 - προτού ελέγξετε, καθαρίσετε ή εκτελέσετε εργασίες στο μηχάνημα
- Απενεργοποιήστε αμέσως την πηγή τροφοδοσίας και αφήστε το μηχάνημα να σταματήσει εάν ο μηχανισμός κοπής χτυπήσει σε τυχόν ξένα αντικείμενα ή εάν το μηχάνημα αρχίσει να κάνει ασυνήθιστο θόρυβο ή κραδασμό. Αποσυνδέστε την μπαταρία από το μηχάνημα και ακολουθήστε τα

παρακάτω βήματα προτού το επανεκκινήσετε ή το θέσετε σε λειτουργία:

- εξετάστε για τυχόν ζημιές
- αντικαταστήστε ή επισκευάστε τυχόν κατεστραμμένα εξαρτήματα
- ελέγξτε και σφίξτε τυχόν χαλαρά εξαρτήματα
- Απενεργοποιήστε την πηγή τροφοδοσίας και αποσυνδέστε το μηχάνημα από την μπαταρία πριν καθαρίσετε ανεπιθύμητα υλικά σε περίπτωση έμφραξης του μηχανήματος.
- Μην μεταφέρετε αυτό το μηχάνημα ενώ η πηγή ισχύος είναι σε λειτουργία.
- Μην γέρνετε το μηχάνημα ενώ η πηγή ισχύος είναι σε λειτουργία.
- Δεν πρέπει να χρησιμοποιείτε τον φυσητήρα φύλλων όταν βρίσκεστε πάνω σε σκάλα ή σκαλωσιά.



- Μην χρησιμοποιείτε το προϊόν παρά μόνο όταν έχετε τη δυνατότητα να καλέσετε βοήθεια σε περίπτωση ατυχήματος.
- Να προσέχετε τυχόν αντικείμενα που εκτοξεύονται. Υπάρχει κίνδυνος να εκτοξευθούν πέτρες, σκουπίδια κλπ. στα μάτια σας και να προκαλέσουν τύφλωση ή σοβαρό τραυματισμό.
- Κατά τη φόρτιση του προϊόντος, χρησιμοποιήστε μια διάταξη προστασίας από ρεύματα διαρροής (RCI) για μεγαλύτερη ασφάλεια. Για την προστασία των χειριστών σε περίπτωση ηλεκτρικής βλάβης, έχει τοποθετηθεί διάταξη προστασίας από ρεύματα διαρροής.
- Αυτό το μηχάνημα είναι φημισμένο για το χαμηλό φορτίο κραδασμών του. Η υπερέκθεση σε κραδασμούς μπορεί να προκαλέσει βλάβη στο κυκλοφορικό ή νευρικό σύστημα σε άτομα με βεβαρημένο κυκλοφορικό. Εάν αισθανθείτε συμπτώματα υπερέκθεσης σε κραδασμούς, επικοινωνήστε με τον γιατρό σας. Παραδείγματα τέτοιων συμπτωμάτων είναι το μούδιασμα, η απώλεια αίσθησης, οι σουβλιές, ο πόνος, η μυϊκή απονία και η αλλαγή στο χρώμα ή την κατάσταση του δέρματος. Τα συμπτώματα αυτά συνήθως εμφανίζονται στα δάχτυλα, τις παλάμες ή τους καρπούς.
- Το προϊόν πρέπει να χρησιμοποιείται μόνο για τον σκοπό για τον οποίο προορίζεται.
- Δεν είναι δυνατό να καλυφθούν όλες οι περιπτώσεις που ενδέχεται να συναντήσετε. Πρέπει πάντα να είστε προσεκτικοί και να χρησιμοποιείτε την κοινή

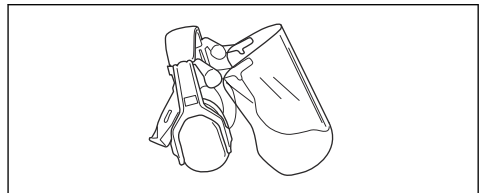
λογική. Αποφεύγετε καταστάσεις τις οποίες θεωρείτε πέραν των δυνατοτήτων σας. Αν δεν είστε σίγουροι για τις διαδικασίες χειρισμού, αφού διαβάσετε αυτές τις οδηγίες, θα πρέπει να συμβουλευτείτε κάποιον ειδικό πριν συνεχίσετε.

Εξοπλισμός ατομικής προστασίας

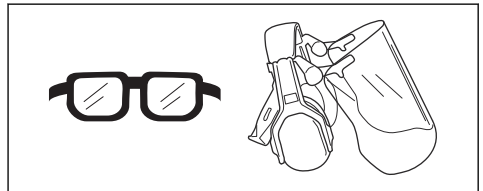


ΠΡΟΕΙΔΟΠΟΙΗΣΗ: Προτού χρησιμοποιήσετε το προϊόν, διαβάστε τις παρακάτω προειδοποιητικές οδηγίες.

- Όταν χρησιμοποιείτε το προϊόν, να φοράτε πάντα εγκεκριμένο εξοπλισμό ατομικής προστασίας. Ο εξοπλισμός ατομικής προστασίας δεν μπορεί να εξαλείψει τον κίνδυνο τραυματισμών, ωστόσο μειώνει τη σοβαρότητά τους σε περίπτωση ατυχήματος. Ο αντιπρόσωπος θα σας βοηθήσει να επιλέξετε τον σωστό εξοπλισμό.
- Η μακροχρόνια έκθεση στον θόρυβο μπορεί να προκαλέσει βλάβη στην ακοή. Κατά κανόνα, τα προϊόντα που λειτουργούν με μπαταρία είναι σχετικά αθόρυβα αλλά μπορεί να προκληθεί βλάβη από τον συνδυασμό επιπέδου θορύβου και μακροχρόνιας χρήσης. Η συνιστά οι χειριστές να χρησιμοποιούν προστατευτικά ακοής όταν χειρίζονται προϊόντα για συνεχές διάστημα της ημέρας. Οι χρήστες που χρησιμοποιούν το προϊόν σε συνεχή και τακτική βάση πρέπει να ελέγχουν τακτικά την ακοή τους. Λάβετε υπόψη ότι τα προστατευτικά ακοής περιορίζουν τη δυνατότητα να ακούτε ήχους και προειδοποιητικά σήματα.



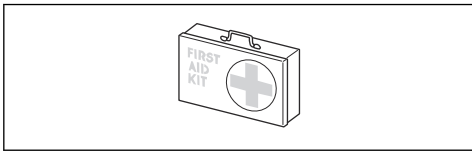
- Χρησιμοποιείτε εγκεκριμένη προστασία ματιών. Εάν χρησιμοποιείτε προστατευτικό γέισο, πρέπει επίσης να χρησιμοποιείτε πάντα εγκεκριμένα γυαλιά προστασίας. Τα εγκεκριμένα προστατευτικά γυαλιά πρέπει να συμμορφώνονται με το πρότυπο ANSI Z87.1 στις Η.Π.Α. ή το πρότυπο EN 166 στις χώρες της Ε.Ε.



- Να φοράτε ρούχα από ανθεκτικό ύφασμα. Να φοράτε πάντα ανθεκτικό μακρύ παντελόνι και μακριά μανίκια. Να μην φοράτε φαρδιά ρούχα που μπορεί να πιαστούν σε κλωνάρια και κλαδιά. Να μην φοράτε

κοσμήματα, κοντά παντελόνια, σανδάλια και να μην είστε ξυπόλυτοι. Να δένετε τα μαλλιά σας με ασφάλεια πάνω από το ύψος των ώμων.

- Να φροντίζετε να υπάρχει εξοπλισμός πρώτων βοηθειών σε κοντινή απόσταση.



- Όταν υπάρχει κίνδυνος σκόνης θα πρέπει να χρησιμοποιείτε μάσκα αναπνοής.

Συσκευές ασφαλείας στο προϊόν

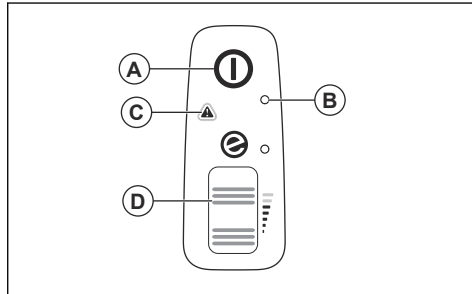


ΠΡΟΕΙΔΟΠΟΙΗΣΗ: Προτού χρησιμοποιήσετε το προϊόν, διαβάστε τις παρακάτω προειδοποιητικές οδηγίες.

- Σε αυτή την ενότητα περιγράφονται τα χαρακτηριστικά ασφαλείας του προϊόντος, ο σκοπός του καθώς και ο τρόπος διεξαγωγής των ελέγχων και της συντήρησης για τη διασφάλιση της σωστής λειτουργίας του. Διαβάστε τις οδηγίες κάτω από την επικεφαλίδα *Επισκόπηση προϊόντος στη σελίδα 40* για να βρείτε πού βρίσκονται αυτά τα εξαρτήματα στο προϊόν σας.
- Η διάρκεια ζωής του προϊόντος μπορεί να μειωθεί και ο κίνδυνος ατυχημάτων να αυξηθεί, εάν η συντήρηση του προϊόντος δεν πραγματοποιείται σωστά και εάν το σέρβις ή/και οι επισκευές δεν εκτελούνται επαγγελματικά. Εάν χρειαστείτε περισσότερες πληροφορίες, επικοινωνήστε με τον πλησιέστερο αντιπρόσωπο σέρβις.
- Μην χρησιμοποιείτε ποτέ ένα προϊόν με ελαττωματικά εξαρτήματα ασφαλείας. Ο εξοπλισμός ασφαλείας του προϊόντος πρέπει να επιθεωρείται και να συντηρείται όπως περιγράφεται σε αυτήν την ενότητα. Εάν το προϊόν αποτύχει σε οποιονδήποτε από αυτούς τους ελέγχους, επικοινωνήστε με τον αντιπρόσωπο σέρβις για την επισκευή του.
- Για όλες τις εργασίες σέρβις και επισκευής στο προϊόν απαιτείται ειδική εκπαίδευση. Αυτό ισχύει ιδιαίτερα για τον εξοπλισμό ασφαλείας του προϊόντος. Εάν το προϊόν δεν ολοκληρώσει επιτυχώς οποιονδήποτε από τους ελέγχους που περιγράφονται παρακάτω, πρέπει να επικοινωνήσετε με τον αντιπρόσωπο σέρβις. Όταν αγοράζετε οποιονδήποτε από τα προϊόντα μας, εγγυώμαστε τη διαθεσιμότητα επαγγελματικών επισκευών και σέρβις. Εάν το κατάστημα λιανικής πώλησης απ' όπου προμηθευτήκατε το προϊόν δεν είναι αντιπρόσωπος σέρβις, ζητήστε από το κατάστημα τη διεύθυνση του πλησιέστερου αντιπροσώπου σέρβις.

Για να ελέγξετε το πληκτρολόγιο

1. Πατήστε παρατεταμένα το κουμπί εκκίνησης/ διακοπής λειτουργίας (A).



- a) Το προϊόν είναι ενεργοποιημένο όταν η λυχνία LED (B) είναι αναμμένη.
 - b) Το προϊόν είναι απενεργοποιημένο όταν η λυχνία LED (B) είναι σβηστή.
2. Ανατρέξτε στην ενότητα *Στοιχεία αλληλεπίδρασης με το χρήστη στη σελίδα 54* αν η προειδοποιητική ένδειξη (C) ανάψει ή αναβοσβήσει.
 3. Πιέστε στιγμιαία τον κινητήριο τροχό (D) για να βεβαιωθείτε ότι κινείται ελεύθερα.

Ασφάλεια μπαταρίας



ΠΡΟΕΙΔΟΠΟΙΗΣΗ: Προτού χρησιμοποιήσετε το προϊόν, διαβάστε τις παρακάτω προειδοποιητικές οδηγίες.

- Χρησιμοποιείτε μόνο τις μπαταρίες της σειράς 40-B που συνιστούμε για το προϊόν σας. Ανατρέξτε στην ενότητα *Εγκεκριμένες μπαταρίες στη σελίδα 57*. Οι μπαταρίες φέρουν κωδικοποίηση λογισμικού.
- Χρησιμοποιήστε τις επαναφορτιζόμενες μπαταρίες της σειράς 40-B ως παροχή ρεύματος αποκλειστικά για τα συναφή προϊόντα Husqvarna. Για την αποφυγή τραυματισμών, μην χρησιμοποιείτε την μπαταρία ως πηγή ηλεκτρικής ισχύος για άλλες συσκευές.
- Κίνδυνος ηλεκτροπληξίας. Μην συνδέετε τους πόλους της μπαταρίας σε κλειδιά, νομισματά, βίδες ή άλλα μεταλλικά αντικείμενα. Αυτό μπορεί να προκαλέσει βραχυκύκλωμα της μπαταρίας.
- Μην χρησιμοποιείτε μπαταρίες που δεν είναι επαναφορτιζόμενες.
- Μην τοποθετείτε αντικείμενα μέσα στις εγκοπές αερισμού της μπαταρίας.
- Διατηρείτε την μπαταρία μακριά από την ηλιακή ακτινοβολία, τη θερμότητα ή τις γυμνές φλόγες. Η μπαταρία μπορεί να προκαλέσει εγκαύματα ή/και χημικά εγκαύματα.
- Διατηρείτε την μπαταρία μακριά από συνθήκες βροχής και υγρασίας.
- Διατηρείτε την μπαταρία μακριά από πηγές μικροκυμάτων και υψηλής πίεσης.

- Μην προσπαθήσετε να αποσυναρμολογήσετε ή να διαλύσετε την μπαταρία.
- Χρησιμοποιήστε την μπαταρία σε θερμοκρασίες μεταξύ -10 °C (14 °F) και 40 °C (104 °F).
- Μην καθαρίζετε την μπαταρία ή τον φορτιστή μπαταρίας με νερό. Ανατρέξτε στην ενότητα *Για να καθαρίσετε το προϊόν, την μπαταρία και το φορτιστή της μπαταρίας στη σελίδα 54.*
- Μην χρησιμοποιείτε ελαττωματικές ή κατεστραμμένες μπαταρίες.
- Φυλάσσετε τις μπαταρίες μακριά από μεταλλικά αντικείμενα, όπως καρφιά, νομίσματα και κοσμήματα.
- Φυλάσσετε την μπαταρία μακριά από παιδιά.
- Ο φορτιστής της μπαταρίας πρέπει να χρησιμοποιείται μόνο σε σημεία όπου η θερμοκρασία είναι μεταξύ 5 °C (41 °F) και 40 °C (104 °F). Χρησιμοποιείτε τον φορτιστή σε περιβάλλον καλά αεριζόμενο, ξηρό και χωρίς σκόνη.
- Μην τοποθετείτε αντικείμενα μέσα στις εγκοπές αερισμού του φορτιστή της μπαταρίας.
- Μην συνδέετε ποτέ τους ακροδέκτες του φορτιστή της μπαταρίας σε μεταλλικά αντικείμενα γιατί μπορεί να προκύψει βραχυκύκλωμα του φορτιστή.
- Χρησιμοποιείτε εγκεκριμένες πρίζες που δεν έχουν υποστεί ζημιά. Βεβαιωθείτε ότι το καλώδιο και ο φορτιστής της μπαταρίας δεν έχουν υποστεί ζημιά. Εάν χρησιμοποιείτε καλώδια επέκτασης, βεβαιωθείτε ότι δεν έχουν υποστεί ζημιά.

Ασφάλεια φορτιστή μπαταρίας



ΠΡΟΕΙΔΟΠΟΙΗΣΗ: Προτού χρησιμοποιήσετε το προϊόν, διαβάστε τις παρακάτω προειδοποιητικές οδηγίες.

- Υπάρχει κίνδυνος ηλεκτροπληξίας ή βραχυκυκλώματος εάν δεν τηρηθούν οι οδηγίες ασφαλείας.
- Μην χρησιμοποιείτε άλλους φορτιστές μπαταρίας από αυτόν που παρέχεται για το προϊόν σας. Πρέπει να χρησιμοποιείτε μόνο φορτιστές 40-C80 για τη φόρτιση ανταλλακτικών μπαταριών Husqvarna 40-B140. Ανατρέξτε στην ενότητα *Εγκεκριμένοι φορτιστές μπαταρίας στη σελίδα 57* και *Εγκεκριμένες μπαταρίες στη σελίδα 57.*
- Μην επιχειρείτε να αποσυναρμολογήσετε τον φορτιστή μπαταρίας.
- Μη χρησιμοποιείτε φορτιστή μπαταρίας που παρουσιάζει ελάττωμα ή έχει υποστεί ζημιά.
- Μην σηκώνετε τον φορτιστή μπαταρίας από το καλώδιο ρεύματος. Για να αποσυνδέσετε τον φορτιστή της μπαταρίας από την πρίζα, τραβήξτε το βύσμα. Μην τραβάτε το καλώδιο.
- Κρατήστε όλα τα καλώδια και τα καλώδια επέκτασης μακριά από νερό, λάδι και αιχμηρές γωνίες. Βεβαιωθείτε ότι το καλώδιο δεν έχει μαγκώσει σε αντικείμενα όπως π.χ. πόρτες, φράχτες ή παρόμοια σημεία.
- Μην χρησιμοποιείτε τον φορτιστή μπαταρίας κοντά σε εύφλεκτα υλικά ή υλικά που μπορούν να προκαλέσουν διάβρωση. Βεβαιωθείτε ότι ο φορτιστής της μπαταρίας δεν είναι καλυμμένος. Σε περίπτωση έκλυσης καπνού ή πυρκαγιάς, βγάλτε τον φορτιστή μπαταρίας από την πρίζα.
- Να φορτίζετε την μπαταρία μόνο σε εσωτερικό χώρο σε μια θέση με καλή ροή αέρα και μακριά από ηλιακή ακτινοβολία. Μην φορτίζετε την μπαταρία σε εξωτερικούς χώρους. Μην φορτίζετε την μπαταρία σε συνθήκες υγρασίας.

Οδηγίες ασφαλείας για τη συντήρηση



ΠΡΟΕΙΔΟΠΟΙΗΣΗ: Προτού εκτελέσετε εργασίες συντήρησης στο προϊόν, διαβάστε τις παρακάτω προειδοποιητικές οδηγίες.

- Όταν το μηχάνημα είναι σταματημένο για συντήρηση, εξέταση ή αποθήκευση ή για αλλαγή εξαρτήματος, αφήστε το να κρυώσει πριν πραγματοποιήσετε οποιαδήποτε εξέταση, ρύθμιση κ.λπ. Να συντηρείτε το μηχάνημα με προσοχή και να το διατηρείτε καθαρό.
- Πρέπει να αφαιρείτε την μπαταρία προτού εκτελέσετε εργασίες συντήρησης, άλλους ελέγχους ή συναρμολόγηση του προϊόντος.
- Ο χειριστής πρέπει να εκτελεί μόνο τις εργασίες συντήρησης και σέρβις που υποδεικνύονται στο παρόν εγχειρίδιο χρήσης. Για πιο εκτεταμένες εργασίες συντήρησης και σέρβις, απευθυνθείτε στον τοπικό αντιπρόσωπο σέρβις.
- Διατηρείτε σφιγμένα όλα τα παξιμάδια, τα μπουλόνια και τις βίδες, ώστε το προϊόν να λειτουργεί με ασφάλεια.
- Πρέπει να αντικαθιστάτε αμέσως οποιαδήποτε εξαρτήματα έχουν φθαρεί ή υποστεί ζημιά.
- Εάν δεν κάνετε συντήρηση στο προϊόν, μειώνεται ο κύκλος ζωής του και αυξάνεται ο κίνδυνος ατυχημάτων.
- Απαιτείται ειδική εκπαίδευση για όλες τις εργασίες συντήρησης και επισκευής, ειδικά για τις διατάξεις ασφαλείας στο προϊόν. Αν δεν ολοκληρωθούν με επιτυχία όλοι οι έλεγχοι που περιγράφονται στο παρόν εγχειρίδιο χρήσης μετά από τη συντήρηση, απευθυνθείτε στον τοπικό αντιπρόσωπο σέρβις. Εγγυώμαστε ότι υπάρχει δυνατότητα επαγγελματικής επισκευής και σέρβις για το προϊόν σας.
- Χρησιμοποιείτε πάντα γνήσια ανταλλακτικά.

Συναρμολόγηση

Λειτουργία φυσητήρα φύλλων



ΠΡΟΕΙΔΟΠΟΙΗΣΗ:

Μπορεί να προκύψει κόψιμο όταν η λεπίδα περιστρέφεται ή το προϊόν εκκινεί ακούσια. Αφαιρέστε την μπαταρία και περιμένετε μέχρι να σταματήσουν τα πτερύγια του ρότορα πριν συναρμολογήσετε το προϊόν.



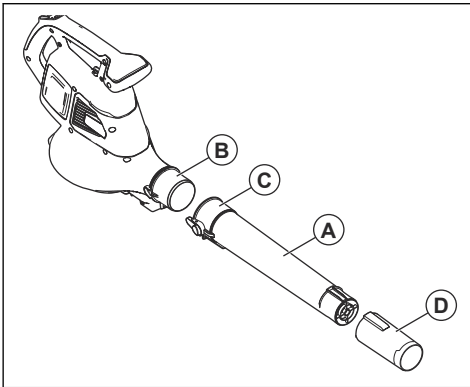
ΠΡΟΕΙΔΟΠΟΙΗΣΗ:

Συναρμολογήστε πλήρως τον σωλήνα του φυσητήρα φύλλων και το κάλυμμα εισαγωγής πριν χρησιμοποιήσετε το προϊόν στη λειτουργία φυσητήρα φύλλων.

Συναρμολόγηση του σωλήνα του φυσητήρα φύλλων

Περιεχόμενα Όταν ο σωλήνας του φυσητήρα φύλλων δεν έχει συναρμολογηθεί σωστά, ένας διακόπτης ασφαλείας αποτρέπει την εκκίνηση του φυσητήρα φύλλων.

1. Ωθήστε τον σωλήνα του φυσητήρα φύλλων (A) μέσα στην έξοδο του φυσητήρα φύλλων (B). Όταν η διάταξη αλληλασφάλισης (C) ενεργοποιείται, ακούγεται ένα χαρακτηριστικό "κλικ".

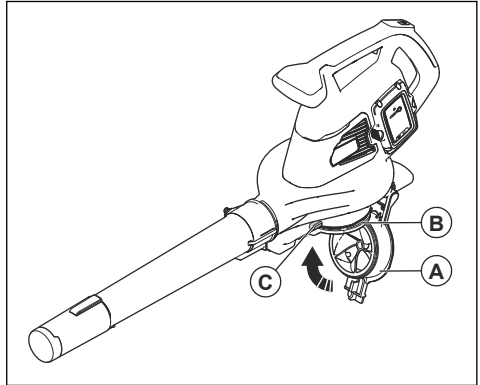


2. Τοποθετήστε το ακροφύσιο του φυσητήρα φύλλων (D) μέσα στον σωλήνα του φυσητήρα φύλλων. Όταν το ακροφύσιο του φυσητήρα φύλλων ασφαλίζει στη θέση του, ακούγεται ένα χαρακτηριστικό "κλικ".

Συναρμολόγηση του καλύμματος εισαγωγής

Περιεχόμενα Όταν το κάλυμμα εισαγωγής δεν έχει συναρμολογηθεί σωστά, ένας διακόπτης ασφαλείας αποτρέπει την εκκίνηση του φυσητήρα φύλλων.

- Κλείστε το κάλυμμα εισαγωγής (A) στην είσοδο του φυσητήρα φύλλων (B). Όταν η διάταξη αλληλασφάλισης (C) ενεργοποιείται, ακούγεται ένα χαρακτηριστικό "κλικ".



Λειτουργία αναρροφητήρα



ΠΡΟΕΙΔΟΠΟΙΗΣΗ:

Συναρμολογήστε πλήρως τον σωλήνα αναρρόφησης και τον σάκο συλλογής προτού χρησιμοποιήσετε το προϊόν στη λειτουργία αναρροφητήρα.

Συναρμολόγηση του σωλήνα φυσητήρα φύλλων

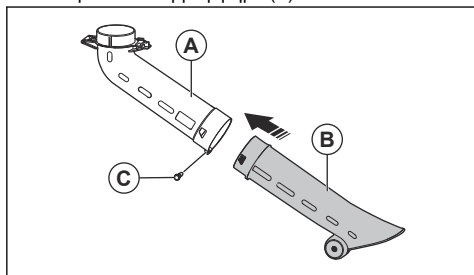


ΠΡΟΕΙΔΟΠΟΙΗΣΗ:

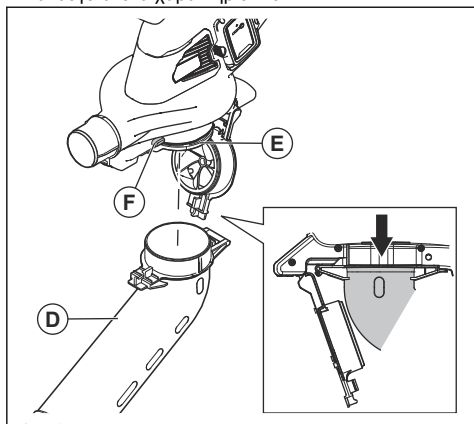
Συναρμολογήστε τον επάνω και τον κάτω σωλήνα του αναρροφητήρα πριν θέσετε σε λειτουργία το προϊόν.

Περιεχόμενα Όταν ο σωλήνας του αναρροφητήρα δεν έχει συναρμολογηθεί σωστά, ένας διακόπτης ασφαλείας θα εμποδίσει την εκκίνηση του αναρροφητήρα.

1. Ευθυγραμμίστε τις εγκοπές στον πάνω σωλήνα του αναρροφητήρα (A) με τις προεξοχές στον κάτω σωλήνα του αναρροφητήρα (B).



2. Ωθήστε τον κάτω σωλήνα του αναρροφητήρα μέσα στον επάνω σωλήνα του αναρροφητήρα μέχρι να ακουστεί ένα κλικ.
3. Σφίξτε τη βίδα (C).
4. Τοποθετήστε τον σωλήνα του αναρροφητήρα (D) μέσα στην είσοδο του αναρροφητήρα (E). Όταν η διάταξη αλληλασφάλισης (F) ενεργοποιείται, ακούγεται ένα χαρακτηριστικό "κλικ".



Συναρμολόγηση του σάκου συλλογής

Περιεχόμενα Εάν ο σάκος συλλογής δεν έχει συναρμολογηθεί σωστά, ένας διακόπτης ασφαλείας θα διακόψει τη διαδικασία εκκίνησης του προϊόντος.

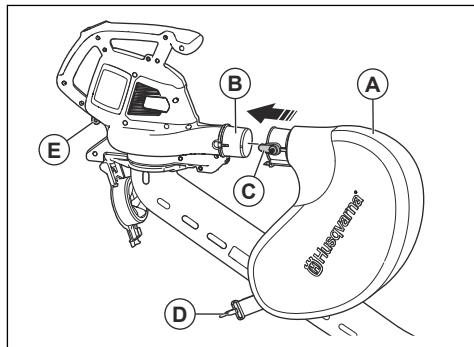


ΠΡΟΕΙΔΟΠΟΙΗΣΗ:

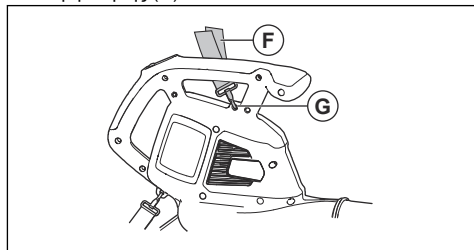
Απενεργοποιήστε το μηχάνημα πριν από τη σύνδεση ή την αφαίρεση του σάκου.

1. Αφαιρέστε τον σωλήνα του φυσητήρα, εάν είναι τοποθετημένος στο προϊόν.

2. Ωθήστε τον σάκο συλλογής (A) μέσα στην έξοδο του αναρροφητήρα (B). Όταν η διάταξη αλληλασφάλισης (C) ενεργοποιείται, ακούγεται ένα χαρακτηριστικό "κλικ".



3. Συνδέστε το λουρί του σάκου συλλογής (D) με το εξάρτημα συγκράτησης (E).
4. Συνδέστε τον μάντα ώμου (F) με το εξάρτημα συγκράτησης (G).



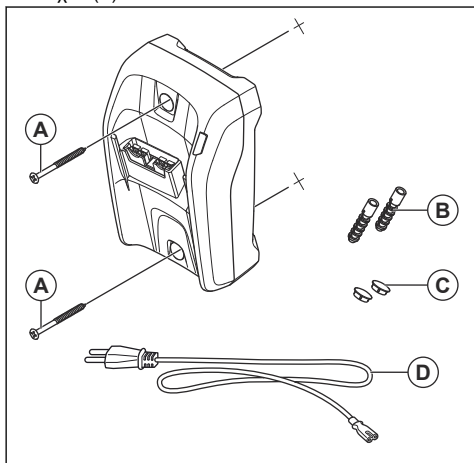
5. Βεβαιωθείτε ότι ο σάκος συλλογής είναι εντελώς κλειστός.

Τοποθέτηση του φορτιστή μπαταρίας στον τοίχο



ΠΡΟΣΟΧΗ: Μην χρησιμοποιείτε ηλεκτρικό κατασβίδι για την τοποθέτηση του φορτιστή μπαταρίας στον τοίχο. Ένα ηλεκτρικό κατασβίδι μπορεί να προκαλέσει ζημιά στον φορτιστή μπαταρίας.

1. Τοποθετήστε τον φορτιστή μπαταρίας στον τοίχο με 2 βίδες (A). Αν χρειάζεται, χρησιμοποιήστε βύσματα τοίχου (B).



2. Τοποθετήστε τις 2 τάπες στις οπές βιδών (C).
3. Συνδέστε το καλώδιο ρεύματος (D) στον φορτιστή μπαταρίας και σε πρίζα τοίχου.

Λειτουργία

Εισαγωγή



ΠΡΟΕΙΔΟΠΟΙΗΣΗ: Πρωτού χρησιμοποιήσετε το προϊόν, διαβάστε και κατανοήστε το κεφάλαιο για την ασφάλεια.

Για να εκτελέσετε έλεγχο λειτουργίας προτού χρησιμοποιήσετε το προϊόν

1. Κάντε έναν έλεγχο του ανοίγματος εισαγωγής αέρα για βρομιές και ρωγμές. Χρησιμοποιήστε βούρτσα για να καθαρίσετε το γρασίδι και τα φύλλα από το προϊόν.
2. Βεβαιωθείτε ότι το προϊόν λειτουργεί σωστά.
3. Ελέγξτε όλα τα παξιμάδια και τις βίδες και βεβαιωθείτε ότι είναι καλά σφιγμένα.

Μπαταρία



ΠΡΟΕΙΔΟΠΟΙΗΣΗ: Πρωτού χρησιμοποιήσετε την μπαταρία, διαβάστε και κατανοήστε το κεφάλαιο για την ασφάλεια. Διαβάστε και κατανοήστε το εγχειρίδιο

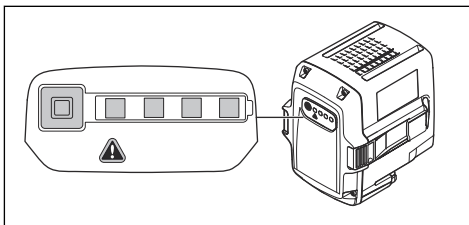
χρήσης για την μπαταρία και τον φορτιστή της μπαταρίας.

Διατηρείτε την μπαταρία και τον φορτιστή μπαταρίας στις σωστές θερμοκρασίες περιβάλλοντος.

	Θερμοκρασία περιβάλλοντος
Λειτουργία της μπαταρίας	5 °C-40 °C / 41 °F-104 °F
Φόρτιση μπαταρίας	5 °C-40 °C / 41 °F-104 °F

Κατάσταση μπαταρίας

Στην οθόνη εμφανίζεται η κατάσταση φόρτισης και τυχόν προβλήματα της μπαταρίας.



Ένδειξη LED	Κατάσταση φόρτισης μπαταρίας
4 λυχνίες LED αναμμένες	Η μπαταρία είναι φορτισμένη κατά 76% - 100%.
3 λυχνίες LED αναμμένες	Η μπαταρία είναι φορτισμένη κατά 51% - 75%.

Ένδειξη LED	Κατάσταση φόρτισης μπαταρίας
2 λυχνίες LED αναμμένες	Η μπαταρία είναι φορτισμένη κατά 26% - 50%.
1 λυχνία LED είναι αναμμένη	Η μπαταρία είναι φορτισμένη κατά 6% - 25%.
1 λυχνία LED αναβοσβήνει	Η μπαταρία είναι φορτισμένη κατά 0% - 5%.

Φόρτιση της μπαταρίας

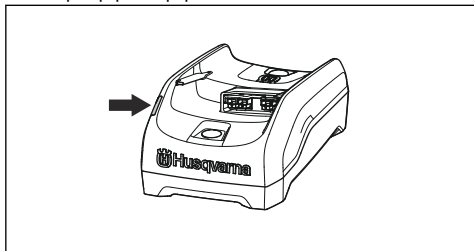
Φορτίστε την μπαταρία, εάν είναι η πρώτη φορά που τη χρησιμοποιείτε. Μια καινούργια μπαταρία είναι φορτισμένη μόνο κατά 30%.



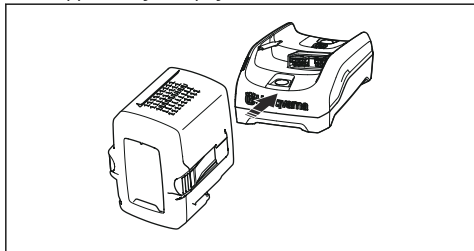
ΠΡΟΣΟΧΗ: Συνδέστε τον φορτιστή μπαταρίας σε μια πρίζα ρεύματος σύμφωνα με την τάση και τη συχνότητα που ορίζεται στην πινακίδα ονομαστικών τιμών.

Η μπαταρία δεν φορτίζεται εάν η θερμοκρασία της είναι μεγαλύτερη από 50 °C/122 °F.

1. Συνδέστε το καλώδιο της μπαταρίας στον φορτιστή.
2. Συνδέστε τον φορτιστή μπαταρίας σε μια γειωμένη πρίζα ρεύματος. Η ενδεικτική λυχνία LED φόρτισης αναβοσβήνει 1 φορά.



3. Συνδέστε την μπαταρία στον φορτιστή. Η πράσινη ενδεικτική λυχνία LED φόρτισης ανάβει. Ο μέγιστος χρόνος φόρτισης της μπαταρίας δεν θα πρέπει να υπερβαίνει τις 24 ώρες.



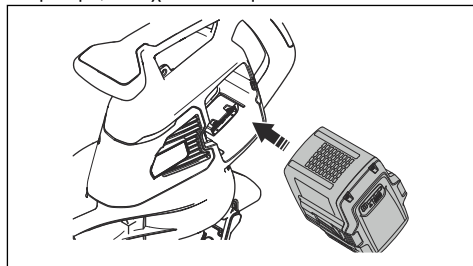
4. Πατήστε το κουμπί ένδειξης μπαταρίας. Αν ανάψουν όλες οι ενδεικτικές λυχνίες LED, η μπαταρία είναι πλήρως φορτισμένη.
5. Τραβήξτε το φιλς ηλεκτρικής τροφοδοσίας, για να αποσυνδέσετε τον φορτιστή μπαταρίας από την πρίζα. Μην τραβάτε το καλώδιο.
6. Αφαιρέστε την μπαταρία από το φορτιστή.

Σύνδεση της μπαταρίας στο προϊόν

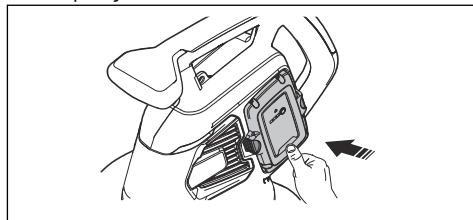


ΠΡΟΕΙΔΟΠΟΙΗΣΗ: Στο προϊόν πρέπει να χρησιμοποιείτε μόνο γνήσιες μπαταρίες Husqvarna.

1. Βεβαιωθείτε ότι η μπαταρία είναι πλήρως φορτισμένη.
2. Σύρετε την μπαταρία μέσα στη θήκη της στο προϊόν. Η μπαταρία πρέπει να γλιστρά εύκολα. Αν δεν γλιστρά, δεν έχει τοποθετηθεί σωστά.

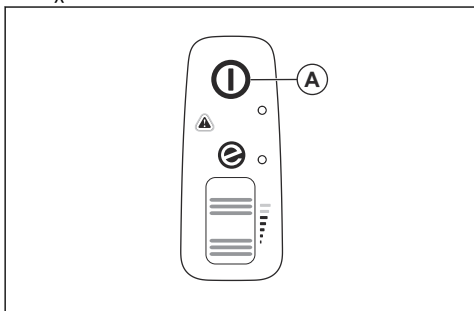


3. Πιέστε το κάτω τμήμα της μπαταρίας και σπρώξτε το για να μπει όσο το δυνατόν περισσότερο μέσα στη θήκη της μπαταρίας. Όταν η μπαταρία ασφαλίσει στη θέση της, ακούγεται ένα χαρακτηριστικό "κλικ".
4. Βεβαιωθείτε ότι τα μάνδαλα έχουν κουμπώσει στη θέση τους σωστά.

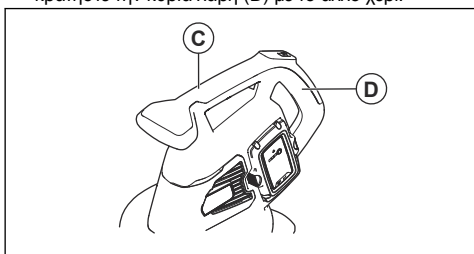


Εκκίνηση του προϊόντος

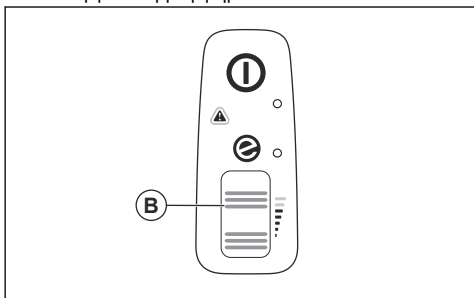
1. Πατήστε παρατεταμένα το κουμπί εκκίνησης/ διακοπής λειτουργίας (A) μέχρι να ανάψει η πράσινη λυχνία LED.



2. Κρατήστε τη βοηθητική λαβή (C) με το ένα χέρι και κρατήστε την κύρια λαβή (D) με το άλλο χέρι.

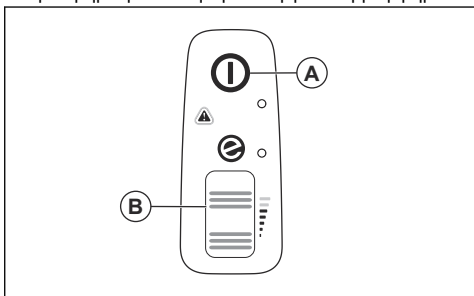


3. Μετακινήστε τον κινητήριο τροχό (B) προς τα πάνω για να ξεκινήσει η λειτουργία φυσητήρα φύλλων ή η λειτουργία αναρροφητήρα.



Διακοπή λειτουργίας του προϊόντος

1. Μετακινήστε τον κινητήριο τροχό (B) προς τα κάτω για να διακόψετε τη λειτουργία του μοντέλου φυσητήρα φύλλων ή τη λειτουργία αναρροφητήρα.

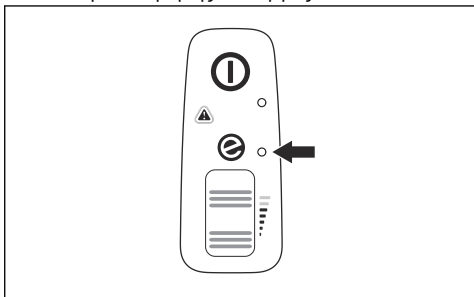


2. Πατήστε παρατεταμένα το κουμπί εκκίνησης/ διακοπής λειτουργίας (A) μέχρι να σβήσει η πράσινη λυχνία LED.

Λειτουργία ECO

Η λειτουργία ECO αυξάνει τη διάρκεια ζωής της μπαταρίας.

- Κυλήστε τον κινητήριο τροχό προς τα κάτω για να ξεκινήσει η λειτουργία ECO. Η λυχνία LED ανάβει κατά την εκκίνηση της λειτουργίας ECO.



- Κυλήστε τον κινητήριο τροχό προς τα επάνω για να ξεκινήσει η κανονική λειτουργία. Η λυχνία LED σβήνει όταν ξεκινήσει η κανονική λειτουργία.

Άδειασμα του σάκου συλλογής



ΠΡΟΕΙΔΟΠΟΙΗΣΗ:

Τα αιχμηρά αντικείμενα μπορούν να προκαλέσουν τραυματισμό. Μην βάζετε τα χέρια σας μέσα στον σάκο συλλογής όταν τον αδειάζετε.

1. Διακόψτε τη λειτουργία του προϊόντος.
2. Αφαιρέστε τον σάκο συλλογής.
3. Γυρίστε προς τα έξω την εσωτερική πλευρά του σάκου συλλογής και αφαιρέστε τα αντικείμενα που έχουν συλλεχθεί.
4. Πλύνετε τον σάκο συλλογής με ένα λάστιχο.
5. Αφήστε τον σάκο συλλογής να στεγνώσει.

6. Συναρμολογήστε τον σάκο συλλογής.

Λειτουργία αυτόματης απενεργοποίησης

Το προϊόν διαθέτει λειτουργία αυτόματης απενεργοποίησης με την οποία το προϊόν σταματά να λειτουργεί όταν δεν χρησιμοποιείται. Η λειτουργία του προϊόντος τερματίζεται μετά από 1 λεπτό.

Συντήρηση

Εισαγωγή



ΠΡΟΕΙΔΟΠΟΙΗΣΗ: Προτού εκτελέσετε οποιαδήποτε εργασία συντήρησης, πρέπει να διαβάσετε και να κατανοήσετε το κεφάλαιο για την ασφάλεια.

Πρόγραμμα συντήρησης



ΠΡΟΕΙΔΟΠΟΙΗΣΗ: Προτού εκτελέσετε εργασίες συντήρησης, πρέπει να αφαιρέσετε την μπαταρία.

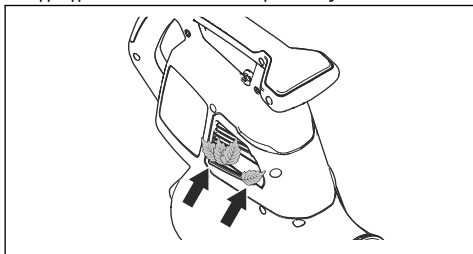
Ακολουθεί μια λίστα με τα βήματα συντήρησης που πρέπει να εκτελείτε στο προϊόν.

Συντήρηση	Καθημερινά	Κάθε εβδομάδα	Κάθε μήνα
Καθαρίστε την εξωτερική επιφάνεια με ένα καθαρό και στεγνό πανί. Μην χρησιμοποιείτε νερό.	X		
Διατηρήστε τις λαβές στεγνές, καθαρές και χωρίς λάδια ή γράσο.	X		
Βεβαιωθείτε ότι το κουμπί εκκίνησης/διακοπής λειτουργίας λειτουργεί σωστά και δεν έχει υποστεί ζημιά.	X		
Βεβαιωθείτε ότι ο κινητήριος τροχός λειτουργεί σωστά όσον αφορά την ασφάλεια.	X		
Ελέγξτε ότι όλα τα παξιμάδια και οι βίδες είναι σφιγμένα.	X		
Ελέγξτε την μπαταρία για ζημιά.	X		
	X		
Βεβαιωθείτε ότι τα κουμπιά απασφάλισης στην μπαταρία λειτουργούν σωστά και ότι η μπαταρία ασφαλίζει στο προϊόν.	X		
Ελέγξτε τον φορτιστή μπαταρίας για τυχόν ζημιές και βεβαιωθείτε ότι λειτουργεί σωστά.	X		
Ελέγξτε όλους τους συνδέσμους, τις συνδέσεις και τα καλώδια για ζημιά και βεβαιωθείτε ότι δεν έχουν βρομιές.		X	
Ελέγξτε τις συνδέσεις μεταξύ της μπαταρίας και του προϊόντος. Ελέγξτε επίσης τη σύνδεση μεταξύ της μπαταρίας και του φορτιστή της μπαταρίας.			X
Καθαρίστε τις εγκοπές ροής αέρα με μια μαλακή βούρτσα (μην χρησιμοποιήσετε κατασβίδι).	X		
Αφαιρέστε και καθαρίστε τον σωλήνα του φυσητήρα φύλλων ή τον σωλήνα του αναρροφητήρα.	X		
Αδειάστε και καθαρίστε τον σάκο συλλογής. Ανατρέξτε στην ενότητα <i>Άδειασμα του σάκου συλλογής στη σελίδα 52</i> .	X		
Αφαιρέστε το χορτάρι, τα φύλλα, τη βρομιά ή τυχόν ανεπιθύμητα υλικά από το άνοιγμα εισαγωγής και το κάλυμμα εισαγωγής.	X		

Συντήρηση	Καθημερινά	Κάθε εβδομάδα	Κάθε μήνα
Ελέγξτε τη φτερωτή του ανεμιστήρα για ρύπανση και καθαρίστε τη φτερωτή του ανεμιστήρα, εάν είναι απαραίτητο, με ένα αμβλύ, μακρύ αντικείμενο.	X		

Έλεγχος του ανοίγματος εισαγωγής αέρα

1. Βεβαιωθείτε ότι το στόμιο εισαγωγής αέρα δεν είναι φραγμένο στα πλαίσια του προϊόντος.



2. Αν χρειάζεται, διακόψτε τη λειτουργία του προϊόντος και απομακρύνετε τυχόν φύλλα ή ανεπιθύμητα υλικά.



ΠΡΟΣΟΧΗ: Εάν το στόμιο εισαγωγής αέρα φράξει, μειώνεται η δυνατότητα διοχέτευσης αέρα του προϊόντος και αυξάνεται η θερμοκρασία λειτουργίας του μοτέρ. Αυτό μπορεί

να προκαλέσει βλάβη του μοτέρ λόγω υπερθέρμανσης.

Για να ελέγξετε την μπαταρία και το φορτιστή μπαταρίας

1. Ελέγξτε την μπαταρία για ζημιές, για παράδειγμα ρωγμές.
2. Ελέγξτε τον φορτιστή της μπαταρίας για ζημιές, για παράδειγμα ρωγμές.
3. Βεβαιωθείτε ότι οι καλώδιο σύνδεσης του φορτιστή της μπαταρίας δεν έχει υποστεί ζημιά και ότι δεν παρουσιάζει ρωγμές.

Για να καθαρίσετε το προϊόν, την μπαταρία και το φορτιστή της μπαταρίας

1. Πρέπει να καθαρίζετε το προϊόν με στεγνό πανί μετά από κάθε χρήση.
2. Καθαρίστε την μπαταρία και τον φορτιστή της μπαταρίας με ένα στεγνό πανί. Διατηρήστε τις ράβδους οδήγησης της μπαταρίας καθαρές.
3. Βεβαιωθείτε ότι οι πόλοι της μπαταρίας και οι ακροδέκτες του φορτιστή της μπαταρίας είναι καθαροί προτού τοποθετήσετε την μπαταρία μέσα στο φορτιστή ή στο προϊόν.

Αντιμετώπιση προβλημάτων

Στοιχεία αλληλεπίδρασης με το χρήστη

Στοιχεία αλληλεπίδρασης με το χρήστη	Πιθανά σφάλματα	Πιθανή λύση
Η κόκκινη λυχνία LED σφάλματος αναβοσβήνει.	Απόκλιση θερμοκρασίας.	Αφήστε το προϊόν να κρυώσει.
	Έχει αφαιρεθεί ο σωλήνας ή το κάλυμμα του ανεμιστήρα.	Συναρμολογήστε τον σωλήνα ή το κάλυμμα του ανεμιστήρα.
	Σφάλμα μπαταρίας.	Αντικαταστήστε την μπαταρία ή φορτίστε την μπαταρία.
	Πρέπει να γίνει σέρβις.	Απευθυνθείτε στον τοπικό αντιπρόσωπο σέρβις.

Στοιχεία αλλη- λεπίδρασης με το χρήστη	Πιθανά σφάλ- ματα	Πιθανή λύση
Το προϊόν δεν τίθεται σε λει- τουργία.	Ρύψιοι στους συνδέσμους μπαταρίας.	Καθαρίστε με συμπιεσμένο αέρα ή μαλακή βούρτσα.

Μπαταρία

Οθόνη LED	Πιθανά σφάλματα	Πιθανή λύση
Η πράσινη λυχνία LED αναβοσβήνει.	Χαμηλή τάση μπαταρίας.	Φορτίστε την μπαταρία.
Η ενδεικτική λυχνία LED σφάλματος αναβοσβήνει.	Απόκλιση θερμοκρασίας.	Χρησιμοποιήστε την μπαταρία σε θερμοκρασίες μεταξύ -10 °C (14 °F) και 40 °C (104 °F).
	Υπερβολική τάση.	Βεβαιωθείτε ότι η τάση του δικτύου ρεύματος συμφωνεί με αυτήν του προϊόντος. Ανατρέξτε στην πινακίδα ονομαστικών τιμών στο προϊόν. Αφαιρέστε την μπαταρία από το φορτιστή.
Η λυχνία LED σφάλματος ανάβει.	Υπερβολική διαφορά τάσης μεταξύ των στοιχείων της μπαταρίας (1 V).	Απευθυνθείτε στον τοπικό αντιπρόσωπο σέρβις.

Φορτιστής μπαταρίας

Κατάσταση	Πιθανά σφάλματα	Πιθανή διαδικασία
Η λυχνία LED φόρτισης είναι κόκκινη.	Μόνιμο σφάλμα στον φορτιστή της μπαταρίας.	Απευθυνθείτε στον αντιπρόσωπο.
Η λυχνία LED φόρτισης αναβοσβήνει με πράσινο χρώμα.	Απόκλιση θερμοκρασίας, η μπαταρία είναι πολύ κρύα ή πολύ ζεστή για χρήση ή φόρτιση.	Αφήστε την μπαταρία να κρυώσει ή προθερμάνετε την. Όταν η θερμοκρασία της μπαταρίας είναι σωστή, μπορεί να χρησιμοποιηθεί ή να φορτιστεί εκ νέου. Χρησιμοποιήστε τον φορτιστή μπαταρίας σε θερμοκρασίες περιβάλλοντος μεταξύ 5 °C (41 °F) και 40 °C (104 °F).
Η λυχνία LED φόρτισης αναβοσβήνει με κόκκινο χρώμα.	Ελαττωματική μπαταρία	Απευθυνθείτε στον αντιπρόσωπο.

Μεταφορά, αποθήκευση και απόρριψη

Μεταφορά και αποθήκευση

- Οι παρεχόμενες μπαταρίες ιόντων λιθίου πληρούν όλες τις απαιτήσεις της νομοθεσίας περί επικίνδυνων εμπορευμάτων.
- Πρέπει να τηρείτε τις ειδικές απαιτήσεις που αναγράφονται στη συσκευασία και στις επικέτες σχετικά με την εμπορική μεταφορά. Οι απαιτήσεις αυτές πρέπει επίσης να τηρούνται από οποιουδήποτε τρίτους και από τους διαμετακομιστές.
- Απευθυνθείτε σε ένα άτομο ειδικά εκπαιδευμένο στα επικίνδυνα υλικά προτού στείλετε το προϊόν. Να τηρείτε όλους τους ισχύοντες εθνικούς κανονισμούς.
- Αν συσκευάσετε την μπαταρία, χρησιμοποιήστε ταινία πάνω στις ακάλυπτες επαφές. Σφηνώστε την μπαταρία μέσα στο πακέτο, ώστε να μην μπορεί να μετακινηθεί.
- Αφήνετε πάντα το μηχάνημα να κρυώσει πριν το αποθηκεύσετε.
- Κατά τη φύλαξη ή τη μεταφορά του προϊόντος πρέπει πάντα να αφαιρείτε την μπαταρία.
- Τοποθετήστε την μπαταρία και τον φορτιστή της μπαταρίας σε χώρο στεγνό και προστατευμένο από την υγρασία και τον παγετό.
- Μην αποθηκεύετε την μπαταρία σε χώρους όπου ενδέχεται να προκληθεί στατικός ηλεκτρισμός. Μην αποθηκεύετε την μπαταρία σε μεταλλικό κουτί.
- Να φυλάσσετε την μπαταρία σε χώρους με θερμοκρασία μεταξύ 5 °C/41 °F και 25 °C/77 °F και μακριά από το άμεσο ηλιακό φως.
- Να φυλάσσετε το φορτιστή της μπαταρίας σε χώρους με θερμοκρασία μεταξύ 5 °C/41 °F και 45 °C/113 °F και μακριά από το άμεσο ηλιακό φως.
- Ο φορτιστής της μπαταρίας πρέπει να χρησιμοποιείται μόνο όταν η θερμοκρασία περιβάλλοντος είναι μεταξύ 5 °C/41 °F και 40 °C/104 °F.

- Φορτίστε την μπαταρία κατά 30% έως 50% προτού την φυλάξετε για μεγάλο χρονικό διάστημα.
- Να φυλάσσετε το φορτιστή της μπαταρίας σε χώρο κλειστό και χωρίς υγρασία.
- Μην φυλάσσετε την μπαταρία μαζί με τον φορτιστή. Μην επιτρέπεται να αγγίζουν τον εξοπλισμό παιδιά και άλλα μη εξουσιοδοτημένα άτομα. Να διατηρείτε τον εξοπλισμό σε χώρο που μπορείτε να κλειδώσετε.
- Προτού φυλάξετε το προϊόν για μεγάλο χρονικό διάστημα, πρέπει να το καθαρίζετε και να εκτελείτε πλήρες σέρβις.
- Για να αποφύγετε τραυματισμούς ή ζημιές στο προϊόν κατά τη μεταφορά και τη φύλαξη, χρησιμοποιήστε το προστατευτικό μεταφοράς.
- Κατά τη μεταφορά, πρέπει να στερεώνετε καλά το προϊόν.

Απόρριψη της μπαταρίας, του φορτιστή μπαταρίας και του προϊόντος

Το παρακάτω σύμβολο σημαίνει ότι το προϊόν δεν είναι οικιακό απόρριμμα. Ανακυκλώστε το σε κέντρο ανακύκλωσης ηλεκτρικού και ηλεκτρονικού εξοπλισμού. Με αυτόν τον τρόπο συμβάλλετε στην προστασία του περιβάλλοντος και των ανθρώπων.

Για περισσότερες πληροφορίες, απευθυνθείτε στις τοπικές αρχές, στην υπηρεσία αποκομιδής οικιακών απορριμμάτων ή στον αντιπρόσωπο.



Περιεχόμενα Αυτό το σύμβολο υπάρχει πάνω στο προϊόν ή στη συσκευασία του προϊόντος.

Τεχνικά στοιχεία

Τεχνικά στοιχεία

	120iBV
Μοτέρ	
Τύπος μοτέρ	BLDC (χωρίς ψήκτρεις) 36V
Βάρος	
Βάρος χωρίς μπαταρία, kg	4,6

	120iBV
Εκπομπές θορύβου ⁷	
Στάθμη ηχητικής ισχύος, μετρούμενη τιμή σε dB (A)	97
Στάθμη ηχητικής ισχύος, εγγυημένη L_{WA} dB (A)	100
Στάθμες ήχου ⁸	
Ισοδύναμη ηχητική πίεση στο αυτί του χειριστή, μετρημένη κατά EN ISO 11203 και ISO 22868, dB (A):	84
Στάθμες κραδασμών ⁹	
Επίπεδα κραδασμών στην μπροστινή/πίσω λαβή, μετρημένα κατά ISO 22867, m/s^2	1,4/1,7
Απόδοση ανεμιστήρα	
Παροχή αέρα κατά την κανονική λειτουργία με στάνταρ ακροφύσιο, m^3/min	6,7
Μέγιστη ταχύτητα αέρα κατά την κανονική λειτουργία με στάνταρ ακροφύσιο, m/s / $μιλια/ώρα$	50/111

Τα δεδομένα για τον θόρυβο και τους κραδασμούς προσδιορίζονται με βάση τη μέγιστη ονομαστική ταχύτητα.

Εγκεκριμένες μπαταρίες

Σε αυτό το προϊόν πρέπει να χρησιμοποιείτε μόνο γνήσιες μπαταρίες Husqvarna 40-B.

Εγκεκριμένες μπαταρίες

Μπαταρία	40-B140
Τύπος	Ιόντων λιθίου
Χωρητικότητα μπαταρίας, Ah	4
Ονομαστική τάση, V	36
Βάρος, κιλά	1,25

Εγκεκριμένοι φορτιστές μπαταρίας

Φορτιστής μπαταρίας	40-C80
Τάση δικτύου παροχής, V	100-240
Συχνότητα, Hz	50-60
Ισχύς, W	72

⁷ Οι εκπομπές θορύβου στο περιβάλλον μετρούνται ως ηχητική ισχύς (L_{WA}) σε συμμόρφωση με την Οδηγία 2000/14/ΕΚ. Η καταγεγραμμένη στάθμη θορύβου για το μηχάνημα έχει μετρηθεί με το γνήσιο παρελκόμενο κοπή, που δίνει την υψηλότερη στάθμη. Η διαφορά μεταξύ της εγγυημένης και της μετρούμενης ηχητικής ισχύος είναι ότι η εγγυημένη ηχητική ισχύς περιλαμβάνει επίσης τη διασπορά στο αποτέλεσμα της μέτρησης και τις αποκλίσεις μεταξύ των διαφορετικών μηχανημάτων του ίδιου μοντέλου σύμφωνα με την Οδηγία 2000/14/ΕΚ.

⁸ Τα καταγεγραμμένα στοιχεία για την ισοδύναμη στάθμη ηχητικής πίεσης για το μηχάνημα έχουν τυπική στατιστική διασπορά (τυπική απόκλιση) 3 dB (A).

⁹ Τα καταγεγραμμένα στοιχεία για τη στάθμη κραδασμών έχουν τυπική στατιστική διασπορά (τυπική απόκλιση) ίση με $1,5 m/s^2$.

Φορπιστής μπαταρίας	40-C80
Τάση εξόδου, V d.c./ Amp, A	43/1,6

Δήλωση συμμόρφωσης

Δήλωση συμμόρφωσης ΕΕ

Εμείς, η **Husqvarna AB**, SE-561 82 Huskvarna,
ΣΟΥΗΔΙΑ, τηλ.: +46-36-146500, δηλώνουμε με
αποκλειστική μας ευθύνη ότι το προϊόν:

Περιγραφή	Φυσητήρας φύλλων/αναρροφητήρας κήπου χειρός
Μάρκα	Husqvarna
Τύπος / Μοντέλο	120iBV
Αναγνώριση	Αριθμοί σειράς με ημερομηνία από το 2022 και έπειτα

συμμορφώνεται πλήρως με τις ακόλουθες οδηγίες και
τους κανονισμούς της ΕΕ:

Κανονισμός	Περιγραφή
2006/42/ΕΚ	"σχετικά με τα μηχανήματα"
2014/30/ΕΕ	"σχετικά με την ηλεκτρομαγνητική συμβατότητα"
2011/65/ΕΕ	"σχετικά με τον περιορισμό της χρήσης ορισμένων επικίνδυνων ουσιών σε είδη ηλεκτρικού και ηλεκτρονικού εξοπλισμού"
2000/14/ΕΚ	"σχετικά με τις εκπομπές θορύβου στο περιβάλλον"

και ότι εφαρμόζονται τα παρακάτω
πρότυπα ή/και τεχνικές προδιαγραφές: EN
60335-1:2012+A11+A13+A14+A2+A15, EN
50636-2-100:2014, EN IEC 63000:2018, EN ISO
12100:2010, EN IEC 55014-1:2021; EN IEC
55014-2:2021

Σύμφωνα με την οδηγία 2000/14/ΕΚ, Παράρτημα V, βλ.
Τεχνικά στοιχεία στη σελίδα 56 για τις δηλωθείσες τιμές
ήχου.

Huskvarna, 2023-01-16



Claes Losdal, Διευθυντής Έρευνας και Ανάπτυξης
Husqvarna AB

Υπεύθυνος για την τεχνική τεκμηρίωση

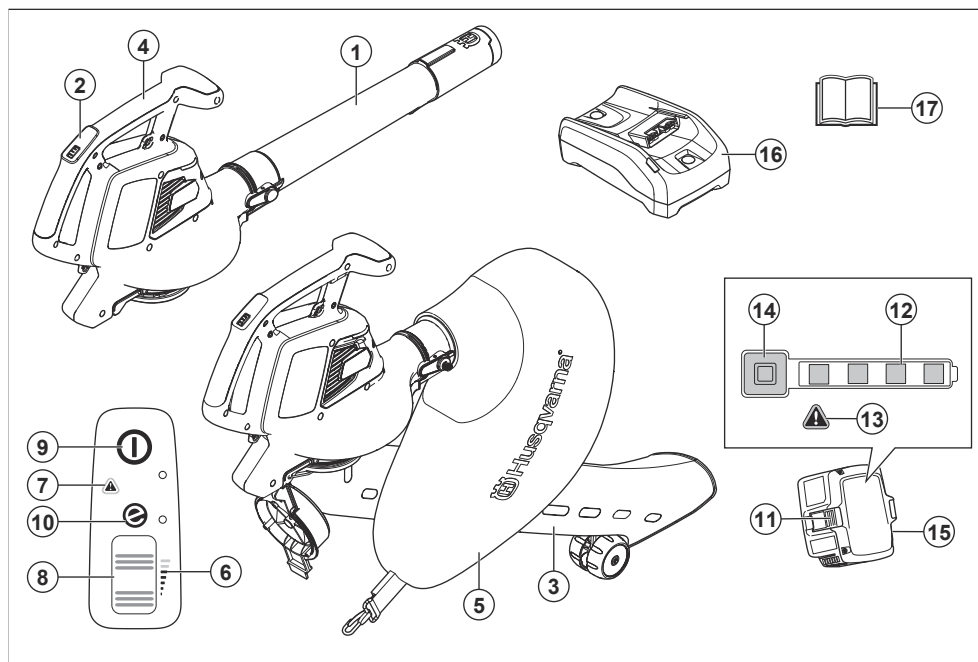


Sommario

Introduzione.....	60	Ricerca guasti.....	73
Sicurezza.....	62	Trasporto, stoccaggio e smaltimento.....	74
Montaggio.....	67	Dati tecnici.....	75
Utilizzo.....	69	Dichiarazione di conformità.....	77
Manutenzione.....	71		

Introduzione

Panoramica del prodotto



1. Tubo del soffiatore
2. Tastierino
3. Tubo dell'aspiratore
4. Impugnatura
5. Cesto di raccolta
6. Indicatore del flusso d'aria
7. Spia (LED di errore)
8. Ruota motrice
9. Pulsante start/stop
10. Indicatore SavE
11. Pulsante per il rilascio della batteria
12. Stato della batteria
13. Spia (LED di errore)
14. Indicatore di alimentazione e spia
15. Batteria, inclusa solo nel kit del soffiatore Husqvarna120iBV
16. Caricabatteria, incluso solo nel kit del soffiatore Husqvarna120iBV.
17. Manuale dell'operatore

Descrizione del prodotto

Husqvarna 120iBV è un modello di soffiatore/aspiratore da giardino con motore elettrico.

Procediamo costantemente allo sviluppo dei nostri prodotti e ci riserviamo quindi il diritto di apportare, senza alcun preavviso, modifiche riguardanti fra l'altro la forma e l'aspetto esteriore.

Uso previsto

Modalità soffiatore: Il soffiatore è progettato per soffiare particelle di sporco o detriti d'erba da sentieri, vialetti, cortili e simili. È inoltre progettato per soffiare residui d'erba, paglia o foglie creando pile o per rimuovere particelle di sporcizia da angoli, giunti o spazi vuoti tra piastrelle o mattoni.

Modalità aspiratore: L'aspiratore è progettato per aspirare materiali asciutti. Ciò include foglie, erba, ramoscelli e pezzi di carta.

Simboli riportati sul prodotto



AVVERTENZA: questo prodotto può essere pericoloso e causare lesioni gravi o mortali all'operatore o a terzi. Prestare attenzione e utilizzare il prodotto correttamente.



Leggere attentamente il Manuale dell'operatore e accertarsi di aver compreso le istruzioni prima di utilizzare questo prodotto.



Utilizzare protezioni per gli occhi omologate.

V

Tensione nominale, V



Corrente diretta.



Emissioni di rumore nell'ambiente in conformità alle direttive e alle norme UE e UK e alla norma del Nuovo Galles del Sud in materia di protezione dell'ambiente "Protection of the Environment Operations (Noise Control) Regulation 2017". Il livello di potenza sonora garantito del prodotto è specificato in *Dati tecnici alla pagina 75* nonché sull'etichetta.



Scollegare la batteria prima di eseguire la manutenzione.



Il prodotto o l'imballaggio del prodotto non è un rifiuto domestico. Riciclarlo in una stazione di riciclaggio per apparecchiature elettriche ed elettroniche.



Il prodotto è conforme alle direttive CE vigenti.



Il presente prodotto è conforme alle direttive del Regno Unito vigenti.



Non esporre alla pioggia.



Dopo aver spento il prodotto, attendere fino all'arresto delle lame del rotore.



Utilizzare il prodotto in modalità aspiratore solo quando il tubo è completamente assemblato.



Il conducente del soffiatore deve controllare che non vi siano persone od animali in un raggio di 15 metri. Anche più conducenti che lavorino contemporaneamente nello stesso luogo devono mantenere tra loro una distanza di sicurezza non inferiore a 15 metri. Il soffiatore può urtare violentemente oggetti che possono rimbalzare, causando seri danni agli occhi se non vengono usati i dispositivi di sicurezza consigliati.



aaaa-ssxxxx

La targhetta dati di funzionamento mostra il numero di serie. **aaaa** è l'anno di produzione, **ww** è la settimana di produzione.

Nota: I restanti simboli/decalcomanie applicati sull'accessorio riguardano particolari requisiti necessari per ottenere la certificazione in alcuni mercati.

Simboli sulla batteria e/o sul caricabatterie



Riciclare questo prodotto in una stazione di riciclaggio per apparecchiature elettriche ed elettroniche. (Solo per l'Europa)



Trasformatore a prova di guasto.



Utilizzare e conservare il caricabatteria solo in ambienti interni.



Doppio isolamento.

Produttore

Husqvarna AB

Drottninggatan 2, SE-561 82 Huskvarna

Danni al prodotto

Non siamo responsabili dei danni al prodotto se:

- Il prodotto viene riparato in modo errato.
- Il prodotto viene riparato con parti che non provengono o non sono omologate dal produttore.
- Il prodotto contiene un accessorio che non proviene o non è omologato dal produttore.
- Il prodotto non viene riparato presso un centro di assistenza autorizzato o presso un'autorità competente.

Sicurezza

Definizioni di sicurezza

I simboli di avvertenza e cautela e le note vengono utilizzati per evidenziare le parti importanti del manuale dell'operatore.



AVVERTENZA: Utilizzato se è presente un rischio di lesioni o morte dell'operatore o di passanti nel caso in cui le istruzioni del manuale non vengano rispettate.



ATTENZIONE: Utilizzato se è presente un rischio di danni al prodotto e/p all'accessorio, ad altri materiali oppure alla zona adiacente nel caso in cui le istruzioni del manuale non vengano rispettate.

Nota: Utilizzato per fornire ulteriori informazioni necessarie in una determinata situazione.

Istruzioni di sicurezza generali



AVVERTENZA: Leggere le seguenti avvertenze prima di utilizzare il prodotto.

- Leggere attentamente le istruzioni sui comandi e sul corretto funzionamento della macchina. L'uso incauto e non corretto del prodotto può essere fonte di pericoli e causare lesioni gravi o morte all'operatore o ad altri.
- Evitare assolutamente di modificare la versione originale del prodotto senza l'autorizzazione del fabbricante. Non usare mai un prodotto che abbia subito modifiche tali da non corrispondere più alle

specifiche originali e utilizzare sempre accessori originali. Modifiche e/o accessori non autorizzati possono causare gravi lesioni personali o mortali all'operatore o a terzi. La garanzia non copre i danni o inconvenienti causati dall'uso di accessori o pezzi di ricambio non omologati.

- Durante il funzionamento, questo prodotto genera un campo elettromagnetico. Tale campo può interferire, in alcuni casi, con persone portatrici di impianti medici attivi o passivi. Per ridurre il rischio di condizioni che possono implicare lesioni personali gravi o mortali, i portatori di tali impianti devono consultare il proprio medico e il produttore dell'impianto prima di utilizzare questo prodotto.
- Rimuovere la batteria dal prodotto prima di ricaricarla.

Avvertenze generali di sicurezza dell'attrezzo elettrico

Controlli prima dell'avviamento

- Controllare l'area di lavoro. Asportare eventuali corpi estranei quali pietre, frammenti di vetro, chiodi, fili di acciaio, corde ecc. che potrebbero essere scagliati.
- Rimuovere sempre la batteria per evitare che la macchina venga azionata per errore. Scollegare sempre la batteria prima di procedere alla manutenzione della macchina.
- Prima di utilizzare la macchina e dopo ogni impatto, controllare eventuali segni di usura o danno e, se necessario, ripararli.
- Utilizzare unicamente ricambi originali.
- L'operatore deve accertarsi che persone o animali non si avvicinino entro un raggio di 15 metri durante il lavoro. Nel caso in cui più utenti stiano lavorando nella stessa zona, la distanza di sicurezza deve essere almeno 15 metri.

- Eseguire un'ispezione generale della macchina prima dell'utilizzo, vedere Programma di manutenzione.
- La normativa nazionale o locale potrebbe regolare l'utilizzo. Assicurare la conformità alla normativa in vigore.

Sicurezza personale

- **Nell'uso di un elettrotensile, restare allerta, fare attenzione a ciò che si sta facendo e usare il buonsenso. Non usare un elettrotensile quando si è stanchi o sotto l'effetto di droga, alcol o farmaci.** Un attimo di disattenzione può causare lesioni personali gravi.
- Tenere lontano persone e animali dalla zona di lavoro.
- Questo apparecchio non è destinato all'utilizzo da parte di persone (bambini inclusi) con ridotte capacità fisiche, sensoriali o mentali, oppure con mancanza di esperienza e conoscenza, a meno che siano istruite o controllate durante l'utilizzo da una persona responsabile della loro sicurezza. I bambini devono essere sorvegliati per evitare che giochino con l'apparecchio.
- I bambini o le persone che non conoscono le istruzioni d'uso dell'apparecchio non possono utilizzarlo. Alcune normative locali possono limitare l'età dell'operatore.
- Mantenere sempre distanti i non addetti ai lavori. Bambini, animali, assistenti e anche eventuali spettatori devono sempre essere tenuti a una distanza di sicurezza di 15 m (50 piedi). Arrestare immediatamente la macchina nel caso qualcuno si avvicini.
- Conservare l'attrezzatura in un luogo chiuso a chiave e quindi lontano dalla portata di bambini e di persone non autorizzate.
- Non utilizzare la macchina su una superficie asfaltata o sulla ghiaia in quanto il materiale espulso potrebbe provocare lesioni.
- Durante il funzionamento della macchina indossare sempre scarpe solide e pantaloni lunghi. Non utilizzare la macchina a piedi nudi o indossando sandali aperti. Evitare di indossare abiti larghi o con fili sospesi o nastri.
- Non indossare abiti larghi o gioielli che possano essere aspirati nelle prese d'aria. Tenere lontani i capelli lunghi dalle prese d'aria.
- Non usare la macchina in condizioni di stanchezza o sotto l'effetto di alcool o medicinali in grado di compromettere il vostro stato psichico e il controllo dei vostri atti.
- Usare sempre abbigliamento protettivo. Vedere le istruzioni alla sezione "Abbigliamento protettivo personale".
- Rimuovere sempre la batteria prima di passare la macchina a un'altra persona.
- Si prega di notare che l'operatore è responsabile di eventuali incidenti o pericoli a persone o cose.

Uso e cura dell'attrezzo elettrico

- Non usare mai una macchina che abbia subito modifiche tali da non corrispondere più alle specifiche originali. Non utilizzare mai la macchina vicino a materiali esplosivi o infiammabili.
- Non usare mai una macchina difettosa. Eseguire i controlli di sicurezza e attenersi alle istruzioni di manutenzione e riparazione riportate nel presente manuale. Alcuni interventi devono essere eseguiti da personale specializzato. Vedere le istruzioni alla sezione Manutenzione.
- Utilizzare unicamente ricambi originali.
- Assicurarsi sempre che le aperture di ventilazione siano sgombre da detriti.
- Tutti i carter, le protezioni e le impugnature devono essere montati prima di avviare la macchina.
- Utilizzare la macchina solo alla luce solare o in altre condizioni di sufficiente illuminazione.
- Non utilizzare mai la macchina in condizioni meteorologiche sfavorevoli quali nebbia, pioggia, umidità o luoghi umidi, vento forte, freddo intenso, fulmini, ecc. Un tempo estremamente caldo può causare il surriscaldamento della macchina. Lavorare con il maltempo è faticoso e può creare situazioni di pericolo, ad esempio un terreno sdruciolevole.
- Se la macchina inizia a vibrare in modo anomalo, arrestarla e rimuovere la batteria.
- Procedere adagio, non correre.

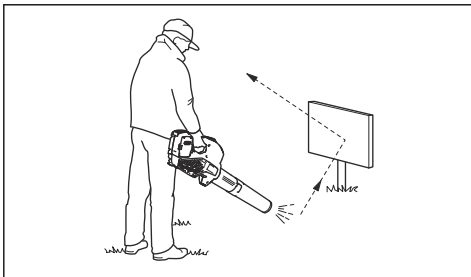
Istruzioni di sicurezza per il funzionamento



AVVERTENZA: Leggere le seguenti avvertenze prima di utilizzare il prodotto.

- Se si è incerti riguardo a come procedere, rivolgersi a un esperto. Contattare il proprio rivenditore o l'officina di assistenza. Evitare qualsiasi lavoro per il quale non ci si sente sufficientemente qualificati.
- Accertarsi di poter camminare e lavorare in sicurezza. In caso di spostamenti, controllare che non vi siano ostacoli (ceppi, radici, rami, fossati ecc.). Fare particolare attenzione quando si lavora su terreni in pendenza.
- Mantenere una posizione stabile ed equilibrata in qualsiasi momento. Operare in sicurezza.
- Far sempre attenzione a segnali di allarme o eventuali grida quando si utilizzano le cuffie protettive. Togliere sempre le cuffie protettive immediatamente all'arresto del prodotto.
- Non utilizzare il prodotto vicino a finestre aperte.
- Rispettare l'ambiente circostante evitando di usare il prodotto a orari inadeguati, ad esempio la sera tardi o la mattina presto. Attenersi alle norme e alle ordinanze locali vigenti.

- Usare il prodotto con il minimo flusso d'aria possibile. Sono rari i casi in cui è necessario usare il flusso d'aria al massimo e molte operazioni possono essere eseguite con un flusso d'aria di media intensità. Un flusso d'aria più basso implica un minor livello di rumore e di polvere e consente inoltre maggior controllo sul materiale da raccogliere/ spostare.
- In presenza di molta polvere, inumidire leggermente la superficie durante l'uso del prodotto.
- Usare un rastrello o una scopa per staccare dal suolo il materiale incastrato.
- Tenere la bocchetta del soffiatore il più possibile vicino al suolo.
- Prestare attenzione all'ambiente circostante. Dirigere il prodotto lontano da persone, animali, parchi-giochi, autovetture ecc.
- Ridurre al minimo il tempo di soffiatura inumidendo leggermente le aree polverose o utilizzando l'attrezzatura spray.
- Tenere in considerazione la direzione del vento. Evitare di lavorare controvento per alleggerire le operazioni.
- Spegnerne il prodotto e rimuovere la batteria se il prodotto comincia a vibrare in maniera anomala.
- Evitare di spostare masse voluminose con l'uso del soffiatore: è un'operazione lunga e inutilmente rumorosa.
- Ripulire la zona di lavoro dopo l'operazione. Accertarsi di non aver spinto parte del materiale in zone di proprietà privata.
- Non correre con il prodotto.
- Il flusso d'aria ha un'intensità in grado di spostare gli oggetti a una tale velocità da far sì che essi possano rimbalzare provocando gravi lesioni agli occhi.



- Non rivolgere il flusso d'aria verso persone o animali.
- Spegnerne il motore prima di montare o smontare gli accessori o altri componenti.
- Tenere le parti del corpo lontano dalle superfici roventi.
- Non poggiare mai il prodotto a motore acceso se non lo si può tenere bene d'occhio.
- Arrestare la macchina e rimuovere la batteria. Assicurarsi che tutte le parti mobili siano completamente ferme:
 - ogni volta che si lascia la macchina

- prima di rimuovere ostruzioni o stasare lo scivolo
- prima di controllare, pulire o lavorare sulla macchina
- Spegnerne immediatamente l'alimentazione e lasciare che la macchina si arresti se il meccanismo di taglio colpisce corpi estranei o se la macchina inizia a produrre vibrazioni o rumori insoliti. Scollegare la batteria dalla macchina e attenersi alla procedura seguente prima di riavviare e mettere in funzione la macchina:
 - verificare l'eventuale presenza di danni
 - riparare o sostituire le parti danneggiate
 - controllare e serrare eventuali parti allentate
- Spegnerne l'alimentazione e scollegare la macchina dalla batteria prima di rimuovere eventuali corpi estranei in caso di ostruzione.
- Non trasportare questa macchina con l'alimentazione inserita.
- Non inclinare la macchina con l'alimentazione inserita.
- Non utilizzare il soffiatore su scale o ponteggi.



- Non utilizzare il prodotto se non si è certi di poter chiedere aiuto in caso d'infortunio.
- Rischio di oggetti volanti. Si potrebbe venir colpiti a un occhio da un sasso, un ramo o altri oggetti sollevatisi dal terreno, con conseguenze anche molto gravi, quali cecità o altre lesioni.
- Impiegare un dispositivo salvavita (RCI) per maggiore sicurezza quando si ricarica il prodotto. In caso di guasto elettrico un dispositivo salvavita protegge la macchina.
- Questo prodotto è rinomato per il suo basso carico di vibrazioni. La sovraesposizione alle vibrazioni può causare lesioni neuro-vascolari a chi soffre di disturbi circolatori. In caso di sintomi riferibili a sovraesposizione alle vibrazioni, contattare il medico. Esempi di questi sintomi: intorpidimento, perdita di sensibilità, "formicolio", "torpore", dolore, mancanza di forza o riduzione delle forze normali, alterazioni di colore o aspetto della pelle. Tali sintomi si riscontrano soprattutto alle mani, ai polsi e alle dita.
- Non utilizzare il prodotto per scopi diversi da quelli previsti.
- Non è possibile coprire tutte le situazioni immaginabili che potreste affrontare. Prestare

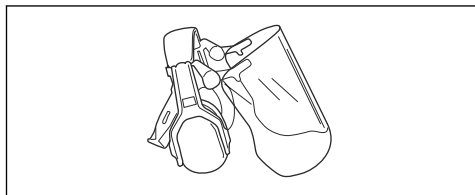
sempre attenzione e usare il buon senso. Evitare tutte le situazioni che richiedono capacità superiori alle proprie. Se dopo aver letto le presenti istruzioni persistono dubbi sulle procedure operative, rivolgersi a un esperto prima di continuare.

Dispositivi di protezione individuale

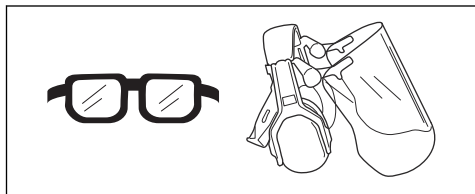


AVVERTENZA: Leggere le seguenti avvertenze prima di utilizzare il prodotto.

- Usare sempre abbigliamento protettivo personale omologato quando si utilizza il prodotto. L'uso di dispositivi di protezione individuale non elimina il rischio di lesioni, ma ne riduce la gravità in caso di incidente. Farsi consigliare dal rivenditore per la scelta dell'attrezzatura adatta.
- Una lunga esposizione al rumore può comportare lesioni permanenti all'udito. In generale, i prodotti alimentati a batteria sono relativamente silenziosi ma la combinazione di livello acustico e uso prolungato può provocare lesioni. raccomanda che gli operatori indossino cuffie protettive quando utilizzano prodotti in modo continuativo per un periodo superiore a un giorno. Gli operai che utilizzano il prodotto in modo regolare e continuativo devono essere sottoposti regolarmente al controllo dell'udito. Tenere presente che le cuffie protettive limitano la capacità di udire suoni e segnali di avvertenza.

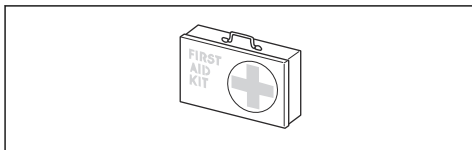


- Utilizzare protezioni per gli occhi omologate. Con l'uso della visiera è necessario anche l'uso di occhiali protettivi omologati. Con il termine occhiali protettivi omologati si intendono occhiali che siano conformi alle norme ANSI Z87.1 per gli USA o EN 166 per i paesi EU.



- Indossare indumenti di tessuto resistente. Indossare sempre pantaloni lunghi e pesanti e maniche lunghe. Non indossare indumenti larghi che potrebbero impigliarsi nei ramoscelli e nei rami. Non indossare gioielli, pantaloni corti o sandali e non lavorare a piedi nudi. Raccogliere i capelli in modo sicuro sopra le spalle.

- Tenere a portata di mano il kit di primo soccorso.



- Usare la mascherina nel caso in cui esista il rischio di polvere.

Dispositivi di sicurezza sul prodotto

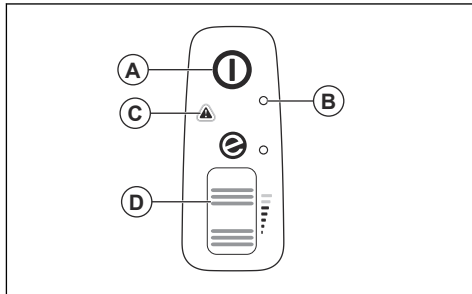


AVVERTENZA: Leggere le seguenti avvertenze prima di utilizzare il prodotto.

- In questo capitolo vengono presentati i dispositivi di sicurezza del prodotto, la loro funzione, il controllo e la manutenzione necessari per assicurarne una funzione ottimale. Vedere le istruzioni alla sezione *Panoramica del prodotto alla pagina 60* per individuare la posizione di queste parti sul prodotto.
- La durata del prodotto può ridursi e il rischio di incidenti aumentare se la manutenzione non viene eseguita correttamente e se l'assistenza e/o le riparazioni non vengono effettuate da personale qualificato. Per ulteriori informazioni, contattare il rivenditore con assistenza più vicino.
- Non utilizzare mai un prodotto con dispositivi di sicurezza difettosi. I dispositivi di sicurezza di sicurezza del prodotto vanno controllati e sottoposti a manutenzione secondo quanto descritto in questo capitolo. Se il prodotto non supera tutti i controlli, contattare un'officina per le necessarie riparazioni.
- Tutte le riparazioni e l'assistenza del prodotto vanno eseguite da personale specializzato. Quanto detto vale in particolare per i dispositivi di sicurezza del prodotto. Se il prodotto non supera tutti i controlli sottoelencati, contattare l'officina autorizzata. L'acquisto di uno dei nostri prodotti garantisce l'assistenza di personale qualificato. Se non avete acquistato il prodotto presso un rivenditore con centro di assistenza, informatevi sull'ubicazione della più vicina officina autorizzata.

Controllo della tastiera

1. Tenere premuto il pulsante di avvio/arresto (A).



- a) Il prodotto è acceso quando il LED (B) si accende.
 - b) Il prodotto è spento quando il LED (B) si spegne.
2. Fare riferimento a *Interfaccia utente alla pagina 73* se la spia di avvertenza (C) si accende o lampeggia.
 3. Premere e rilasciare la ruota motrice (D) per verificare che si muova liberamente.

Sicurezza batterie



AVVERTENZA: Leggere le seguenti avvertenze prima di utilizzare il prodotto.

- Utilizzare solo le serie di batterie 40-B consigliate per il prodotto. Fare riferimento a *Batterie approvate alla pagina 75*. Le batterie sono codificate mediante software.
- Utilizzare le batterie ricaricabili della serie 40-B per l'alimentazione esclusivamente per i prodotti Husqvarna in questione. Per evitare il rischio di lesioni, non utilizzare la batteria come fonte di alimentazione per altri dispositivi.
- Rischio di scosse elettriche. Non collegare i morsetti della batteria a chiavi, viti o altro tipo di metallo. Ciò può causare un corto circuito della batteria.
- Non utilizzare batterie non ricaricabili.
- Non inserire oggetti nelle feritoie di aerazione della batteria.
- Tenere la batteria lontano dalla luce del sole, dal calore o da fiamme libere. La batteria può causare bruciaciature e/o ustioni chimiche.
- Tenere la batteria lontano da pioggia e umidità.
- Tenere la batteria lontano da microonde e alta pressione.
- Non tentare di smontare o rompere la batteria.
- Utilizzare la batteria a temperature comprese tra -10 °C (14 °F) e 40 °C (104 °F).
- Non pulire la batteria o il caricabatterie con acqua. Fare riferimento a *Per pulire il prodotto, la batteria e il caricabatterie alla pagina 73*.
- Non utilizzare una batteria difettosa o danneggiata.
- Conservare le batterie lontano da oggetti metallici, come ad esempio chiodi, viti o gioielli.
- Tenere la batteria fuori dalla portata dei bambini.

Sicurezza del caricabatterie



AVVERTENZA: Leggere le seguenti avvertenze prima di utilizzare il prodotto.

- Rischio di scosse elettriche o cortocircuiti se non si osservano le istruzioni di sicurezza.
- Non utilizzare caricabatterie diversi da quelli in dotazione con il prodotto. Utilizzare i caricabatterie 40-C80 solo per ricaricare le batterie di ricambio Husqvarna 40-B140. Fare riferimento a

Caricabatterie omologati alla pagina 76 e Batterie approvate alla pagina 75.

- Non tentare di smontare il caricabatterie.
- Non utilizzare un caricabatterie difettoso o danneggiato.
- Non sollevare il caricabatterie tramite il cavo di alimentazione. Per scollegare il caricabatterie da una presa di rete, tirare la spina. Non tirare il cavo di alimentazione.
- Tenere tutti i cavi e le prolunghe lontani da acqua, olio e bordi appuntiti. Fare attenzione affinché il cavo non si incastri in oggetti come, ad esempio, porte, recinti o simili.
- Non utilizzare il caricabatterie in prossimità di materiali infiammabili o materiali corrosivi. Accertarsi che il caricabatterie non sia coperto. Staccare la spina del caricabatterie in caso di fumo o incendio.
- Caricare la batteria solo in luoghi chiusi, in una posizione con un buon flusso d'aria e lontano dalla luce diretta del sole. Non caricare la batteria all'aperto. Non caricare la batteria in condizioni di umidità.
- Utilizzare esclusivamente il caricabatterie a temperature comprese tra 5 °C (41 °F) e 40 °C (104 °F). Utilizzare il caricabatterie in un ambiente con adeguato flusso d'aria, asciutto e privo di polvere.
- Non inserire oggetti nelle feritoie di raffreddamento del caricabatterie.
- Non collegare i terminali del caricabatterie a oggetti metallici, poiché si potrebbe provocare un cortocircuito del caricabatterie.
- Utilizzare prese di rete omologate che non siano danneggiate. Accertarsi che il cavo del caricabatterie non sia danneggiato. Se si utilizzano cavi di prolunga, accertarsi che questi non siano danneggiati.

Istruzioni di sicurezza per la manutenzione



AVVERTENZA: Leggere le seguenti avvertenze prima di eseguire la manutenzione del prodotto.

- Quando la macchina viene arrestata per la manutenzione, l'ispezione o la conservazione o per sostituire un accessorio, lasciare raffreddare la macchina prima di eseguire verifiche, regolazioni e simili. Eseguire la manutenzione della macchina con cura e mantenerla pulita.
- Rimuovere la batteria prima di eseguire la manutenzione, altri controlli o montare il prodotto.
- L'operatore deve eseguire solo gli interventi di manutenzione e assistenza indicati in questo manuale operatore. Rivolgersi al centro di assistenza di competenza per interventi di manutenzione e assistenza più importanti.

- Verificare che tutti i dadi, i bulloni e le viti siano saldi, in modo che il prodotto sia in condizioni operative sicure.
- Sostituire le parti usurate o danneggiate.
- Se non si esegue la manutenzione, si riduce il ciclo di vita del prodotto e aumenta il rischio di incidenti.
- È necessaria una formazione specifica per eseguire tutti gli interventi di manutenzione e lavori di

riparazione, in particolare per i dispositivi di sicurezza del prodotto. Se non sono approvati tutti i controlli descritti nel presente manuale operatore dopo la manutenzione, rivolgersi al centro di assistenza. La nostra azienda garantisce la disponibilità di personale qualificato per le riparazioni e l'assistenza del prodotto.

- Adoperare solo ricambi originali.

Montaggio

Modalità soffiatore



AVVERTENZA:

Possano verificarsi lesioni da taglio in caso di rotazione delle lame del rotore o avviamento accidentale del prodotto. Rimuovere la batteria e attendere che le lame del rotore si fermino prima di montare il prodotto.

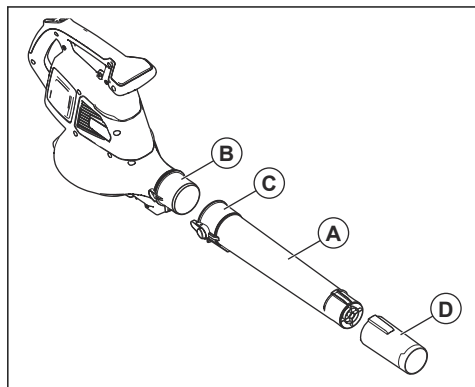


AVVERTENZA: Assemblare completamente il tubo del soffiatore e il coperchio di aspirazione prima di utilizzare il prodotto in modalità soffiatore.

Montaggio del tubo del soffiatore

Nota: Quando il tubo del soffiatore non è montato correttamente, un interruttore di sicurezza impedisce l'avviamento del soffiatore.

1. Spingere il tubo (A) del soffiatore verso l'uscita (B) del soffiatore. L'interblocco (C) si innesta quando si ode uno scatto.

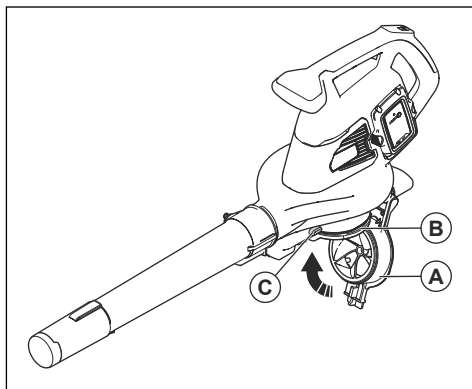


2. Installare l'ugello (D) del soffiatore sul tubo del soffiatore. L'ugello del soffiatore si blocca in posizione quando si percepisce un clic.

Montaggio del coperchio di aspirazione

Nota: Quando il coperchio di aspirazione non è montato correttamente, un interruttore di sicurezza impedisce l'avviamento del soffiatore.

- Chiudere il coperchio di aspirazione (A) sull'ingresso (B) del soffiatore. L'interblocco (C) si innesta quando si ode uno scatto.



Modalità di aspirazione



AVVERTENZA: Assemblare completamente il tubo dell'aspiratore e il cesto di raccolta prima di utilizzare il prodotto in modalità aspiratore.

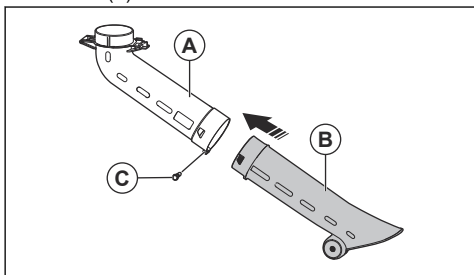
Montaggio del tubo dell'aspiratore



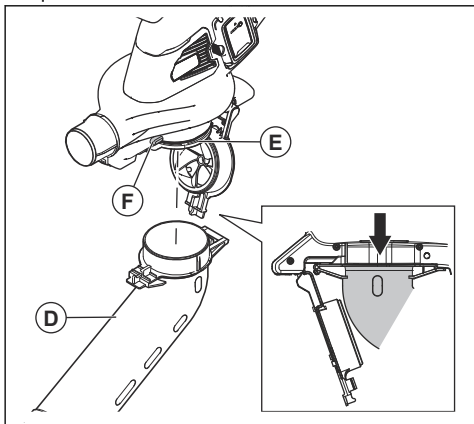
AVVERTENZA: Assemblare i tubi dell'aspiratore superiore e inferiore prima di avviare il prodotto.

Nota: Quando il tubo dell'aspiratore non è montato correttamente, un interruttore di sicurezza impedisce l'avvio dell'aspiratore.

1. Allineare le scanalature sul tubo dell'aspiratore inferiore (A) con le linguette sul tubo dell'aspiratore superiore (B).



2. Spingere il tubo dell'aspiratore inferiore sul tubo dell'aspiratore superiore fino a quando non si percepisce un clic.
3. Serrare le vite (C).
4. Installare il tubo dell'aspiratore (D) sull'ingresso dell'aspiratore (E). L'interblocco (F) si innesta quando si ode uno scatto.



Assemblaggio del cesto di raccolta

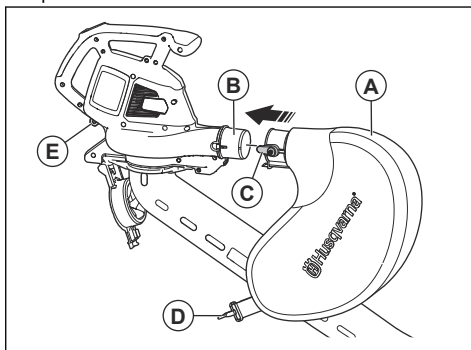
Nota: Se il cesto di raccolta non è montato correttamente, un interruttore di sicurezza arresta la procedura di avvio del prodotto.



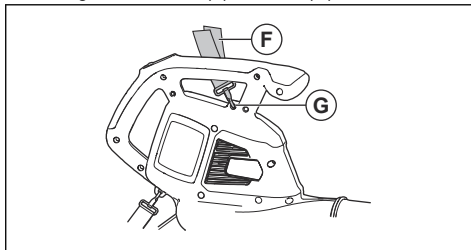
AVVERTENZA: Arrestare la macchina prima di collegare o rimuovere il cesto.

1. Rimuovere il tubo del soffiatore se è installato sul prodotto.

2. Spingere il cesto di raccolta (A) verso l'uscita dell'aspiratore (B). L'interblocco (C) si innesta quando si ode uno scatto.



3. Collegare la cinghia del cesto di raccolta (D) al fermo (E).
4. Collegare la tracolla (F) al fermo (G).



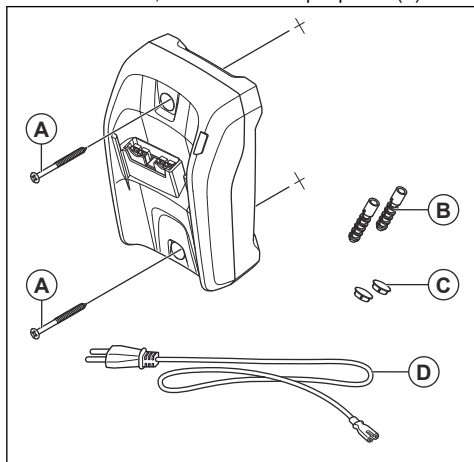
5. Assicurarsi che il cesto di raccolta sia completamente chiuso.

Installazione del caricabatterie alla parete



ATTENZIONE: Non utilizzare un cacciavite elettrico per installare il caricabatterie sulla parete. Un cacciavite elettrico può danneggiare il caricabatterie.

1. Installare il caricabatterie alla parete con le 2 viti (A).
Se necessario, utilizzare tasselli per parete (B).



2. Installare i 2 tappi a vite con foro (C).
3. Collegare il cavo di alimentazione (D) al caricabatterie e a una presa a muro.

Utilizzo

Introduzione



AVVERTENZA: Leggere e comprendere il capitolo sulla sicurezza prima di utilizzare la macchina.

Verifica della funzionalità della macchina prima del suo utilizzo

1. Controllare se la presa d'aria è sporca o presenta incrinature. Utilizzare una spazzola e rimuovere l'erba e il fogliame dal prodotto.
2. Assicurarsi che il prodotto funzioni correttamente.
3. Controllare tutti i dadi e le viti e assicurarsi che siano serrati.

Batteria



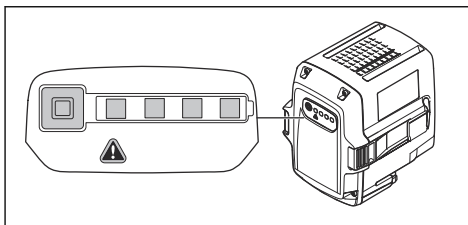
AVVERTENZA: Leggere e comprendere il capitolo sulla sicurezza prima di utilizzare la batteria. Leggere e comprendere il manuale operatore della batteria e del caricabatterie.

Mantenere la batteria e il caricabatterie a una temperatura ambiente adeguata.

	Temperatura ambiente
Funzionamento della batteria	5 °C-40 °C / 41 °F-104 °F
Caricamento della batteria	5 °C-40 °C / 41 °F-104 °F

Stato della batteria

Il display mostra lo stato di carica e se sussistono problemi con la batteria.



Spia LED	Stato di carica della batteria
4 LED sono accesi	La batteria è carica al 76% - 100%.
3 LED sono accesi	La batteria è carica al 51% - 75%.
2 LED sono accesi	La batteria è carica al 26% - 50%.
1 LED è acceso	La batteria è carica al 6% - 25%.

Spia LED	Stato di carica della batteria
1 LED lampeggia	La batteria è carica al 0% - 5%.

Ricarica della batteria

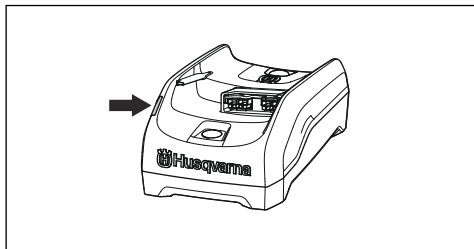
È necessario caricare la batteria prima di utilizzarla per la prima volta. Una batteria nuova è carica solo al 30 %.



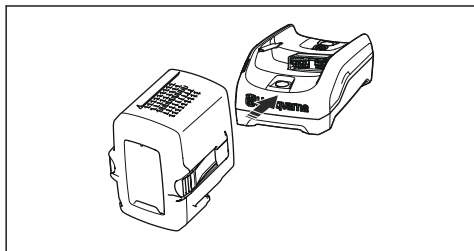
ATTENZIONE: Collegare il caricabatterie a una presa di corrente con la tensione e la frequenza indicate sulla targhetta dati di funzionamento.

La batteria non si carica se la sua temperatura è superiore a 50 °C/122 °F.

1. Collegare il cavo di alimentazione al caricabatterie.
2. Collegare il caricabatterie a una presa di corrente con messa a terra. Il LED di carica lampeggia una volta.



3. Collegare la batteria al caricabatterie. Il LED di carica si accende. Caricare la batteria per massimo 24 ore.



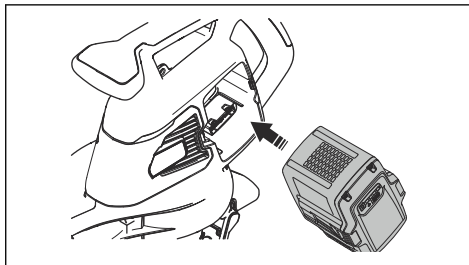
4. Premere il pulsante della spia della batteria; se tutte le spie LED si accendono, la batteria è completamente carica.
5. Estrarre la spina di alimentazione per scollegare il caricabatterie dalla presa di corrente. Non tirare il cavo di alimentazione.
6. Rimuovere la batteria dal caricabatterie.

Collegamento della batteria al prodotto

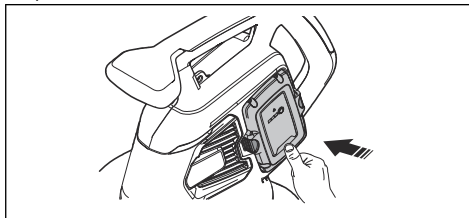


AVVERTENZA: Utilizzare solo le batterie originali Husqvarna nel prodotto.

1. Verificare che la batteria sia completamente carica.
2. Far scorrere la batteria nel supporto della batteria del prodotto. La batteria deve entrare facilmente, in caso contrario, non è installata correttamente.

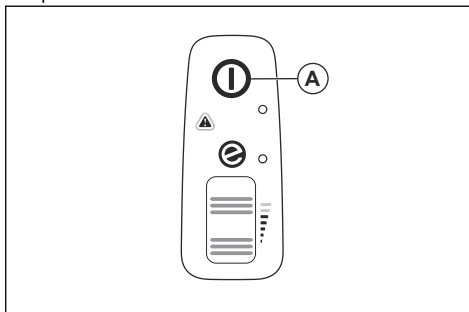


3. Premere sulla parte inferiore della batteria e spingere verso l'interno fino a inserirla nel vano batterie. La batteria si blocca in posizione quando si percepisce un clic.
4. Assicurarsi che le chiusure scattino correttamente in posizione.

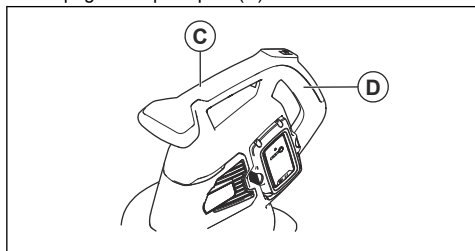


Avviamento del prodotto

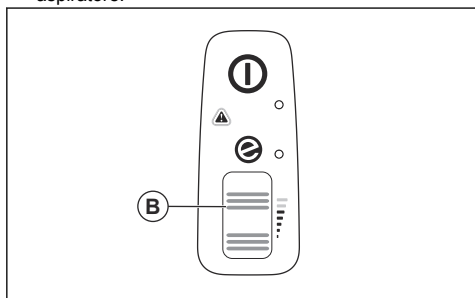
1. Tenere premuto il pulsante di avvio/arresto (A) fino a quando il LED verde non si accende.



2. Tenere l'impugnatura ausiliaria (C) con una mano e l'impugnatura principale (D) con l'altra.

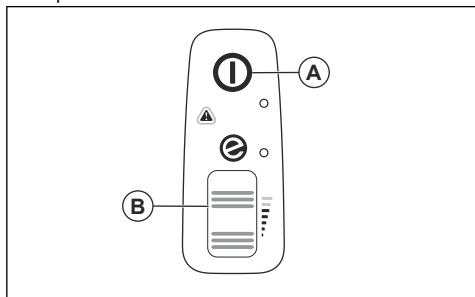


3. Far scorrere la ruota motrice (B) verso l'alto per avviare la modalità soffiatore o la modalità aspiratore.



Arresto del prodotto

1. Far scorrere la ruota motrice (B) verso il basso per arrestare la modalità soffiatore o la modalità aspiratore.

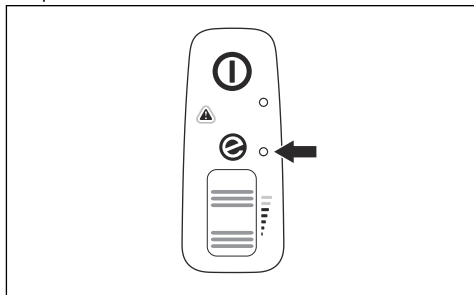


2. Tenere premuto il pulsante di avvio/arresto (A) fino a quando il LED verde non si spegne.

Modalità ECO

La modalità ECO aumenta la durata della batteria.

- Far scorrere verso il basso la ruota motrice per avviare la modalità ECO. La spia LED si accende quando viene avviata la modalità ECO.



- Far scorrere verso l'alto la ruota motrice per avviare la modalità normale. La spia LED si spegne quando viene avviata la modalità normale.

Svuotamento del cesto di raccolta



AVVERTENZA:

Gli oggetti appuntiti possono causare lesioni. Non mettere le mani nel cesto di raccolta quando lo si svuota.

1. Arrestare il prodotto.
2. Rimuovere il cesto di raccolta.
3. Girare il cesto di raccolta verso l'esterno e rimuovere gli oggetti raccolti.
4. Pulire il cesto di raccolta con un tubo dell'acqua.
5. Lasciare asciugare il cesto di raccolta.
6. Assemblare il cesto di raccolta.

Funzione di arresto automatico

Il prodotto dispone di una funzione di arresto automatico che lo blocca in caso di mancato utilizzo. Il prodotto si spegne dopo 1 minuto.

Manutenzione

Introduzione



AVVERTENZA: Prima di eseguire qualsiasi lavoro di manutenzione, è necessario leggere e capire il capitolo relativo alla sicurezza.



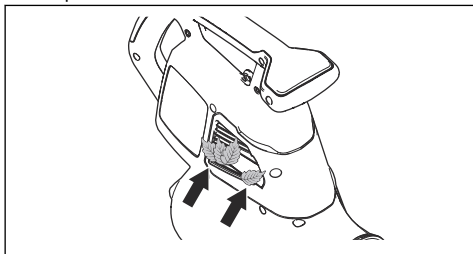
AVVERTENZA: Rimuovere la batteria prima di eseguire la manutenzione.

Qui di seguito è disponibile una lista delle operazioni di manutenzione da eseguire sul prodotto.

Manutenzione	Giornaliera	Una volta a settimana	Una volta al mese
Pulire la superficie esterna con un panno pulito e asciutto. Non utilizzare acqua.	X		
Mantenere le impugnature asciutte, pulite e prive di olio e grasso.	X		
Accertarsi che il pulsante di avvio/arresto funzioni correttamente e che non sia danneggiato.	X		
Assicurarsi che la ruota motrice funzioni correttamente in termini di sicurezza.	X		
Verificare il serraggio dei dadi e delle viti.	X		
Controllare la presenza di eventuali danni alla batteria.	X		
	X		
Assicurarsi che i pulsanti di sblocco sulla batteria funzionino correttamente e che blocchino la batteria all'interno del prodotto.	X		
Controllare che il caricabatterie non sia danneggiato e che funzioni correttamente.	X		
Esaminare tutti i raccordi, i collegamenti e i cavi per verificare che non siano danneggiati e assicurarsi che non siano sporchi.		X	
Ispezionare i collegamenti tra la batteria e il prodotto e quello tra la batteria e il caricabatterie.			X
Pulire le feritoie per la circolazione dell'aria con una spazzola morbida (non utilizzare un cacciavite).	X		
Rimuovere e pulire il tubo del soffiatore o il tubo dell'aspiratore.	X		
Svuotare e pulire il cesto di raccolta. Fare riferimento a <i>Svuotamento del cesto di raccolta alla pagina 71</i> .	X		
Rimuovere erba, foglie, sporcizia o qualsiasi materiale indesiderato dall'apertura di aspirazione e dal coperchio di aspirazione.	X		
Esaminare la girante della ventola per verificare che non sia contaminata e, se necessario, pulirla con un oggetto lungo e smussato.	X		

Controllo della presa d'aria

1. Accertarsi che la presa d'aria non sia ostruita sui lati del prodotto.



2. Spegnerne il prodotto e rimuovere le foglie o qualsiasi materiale indesiderato, se necessario.



ATTENZIONE: Una presa d'aria ostruita riduce la capacità di soffiaggio del prodotto e aumenta la temperatura di lavoro del motore. Ciò può provocare un guasto al motore a causa del surriscaldamento dello stesso.

Controllo della batteria e del caricabatterie

1. Controllare se la batteria presenta danni, ad esempio incrinature.
2. Controllare se il caricabatterie presenta danni, ad esempio incrinature.
3. Verificare che il cavo di collegamento del caricabatterie non sia danneggiato e che non presenti crepe.

Per pulire il prodotto, la batteria e il caricabatterie

1. Pulire il prodotto con un panno asciutto dopo l'uso.
2. Pulire la batteria e il caricabatterie con un panno asciutto. Mantenere puliti i binari guida della batteria.

3. Assicurarsi che i morsetti della batteria e il caricabatterie siano puliti prima di posizionare la batteria nel caricabatterie o nel prodotto.

Ricerca guasti

Interfaccia utente

Interfaccia utente	Possibili guasti	Soluzione possibile
Il LED rosso di errore lampeggia.	Deviazione di temperatura.	Lasciare che il prodotto si raffreddi.
	Il tubo o il coperchio della ventola sono stati rimossi.	Montare il tubo o il coperchio della ventola.
	Errore della batteria.	Sostituire o ricaricare la batteria.
	È necessario eseguire la manutenzione.	Contattare il centro di assistenza.
Il prodotto non si avvia.	Presenza di sporcizia nei collegamenti della batteria.	Pulire con aria compressa o con una spazzola morbida.

Batteria

Display a LED	Possibili guasti	Soluzione possibile
Il LED verde lampeggia.	La tensione della batteria è bassa.	Caricare la batteria.
Il LED di errore lampeggia.	Deviazione di temperatura.	Utilizzare la batteria a temperature comprese tra -10 °C (14 °F) e 40 °C (104 °F).
	Tensione eccessiva.	Accertarsi che la tensione di rete corrisponda alla tensione del prodotto. Fare riferimento alla targhetta dati di funzionamento sul prodotto. Rimuovere la batteria dal caricabatterie.
Il LED di errore si accende.	Differenza eccessiva tra le celle (1 V).	Contattare il centro di assistenza.

Caricabatteria

Condizione	Possibili guasti	Possibile procedura
Il LED di carica è rosso.	Errore permanente del caricabatterie.	Rivolgersi al proprio rivenditore.
Il LED di carica lampeggia in verde.	Deviazione di temperatura, la batteria è troppo fredda o troppo calda per essere usata o caricata.	Lasciare raffreddare la batteria o riscaldarla. Quando la batteria ha la temperatura corretta, può essere usata o caricata di nuovo. Utilizzare il caricabatterie a temperature ambiente comprese tra 5 °C (41 °F) e 40 °C (104 °F).
Il LED di carica lampeggia in rosso.	Batteria difettosa	Rivolgersi al proprio rivenditore.

Trasporto, stoccaggio e smaltimento

Trasporto e stoccaggio

- Le batterie agli ioni di litio in dotazione rispettano i requisiti di legge sulle merci pericolose.
- Rispettare i requisiti speciali riportati sulla confezione e sulle etichette per il trasporto commerciale, compreso quello effettuato da terzi e da corrieri.
- Parlare con personale che ha seguito una formazione specifica in materiali pericolosi prima di inviare il prodotto. Rispettare tutte le norme nazionali vigenti.
- Quando si inserisce la batteria in un contenitore, applicare del nastro adesivo sui contatti aperti. Inserire la batteria nel contenitore in modo da garantirne la massima aderenza.
- Fare raffreddare sempre la macchina prima di riporla.
- Rimuovere la batteria per la conservazione o il trasporto.
- Conservare la batteria e il caricabatterie in un luogo asciutto, privo di umidità e protetto dal gelo.
- Non conservare la batteria in aree elettricamente statiche. Non conservare mai la batteria in una scatola di metallo.
- Durante il rimessaggio, conservare la batteria in un luogo dove la temperatura è compresa tra 5 °C/41 °F e 25 °C/77 °F e lontano da luce solare.
- Durante il rimessaggio, conservare il caricabatterie in un luogo dove la temperatura è compresa tra 5 °C/41 °F e 45 °C/113 °F e lontano da luce solare.
- Utilizzare il caricabatterie soltanto quando la temperatura circostante è compresa tra 5 °C/41 °F e 40 °C/104 °F.
- Caricare la batteria dal 30% al 50% prima di immagazzinarla per lunghi periodi.

- Conservare il caricabatterie in un luogo chiuso e asciutto.
- Tenere la batteria lontano dal caricabatterie durante il rimessaggio. Non lasciare che i bambini e altre persone non autorizzate tocchino l'attrezzatura. Mantenere le attrezzature in un luogo che è possibile chiudere.
- Pulire il prodotto ed eseguire una manutenzione completa prima di conservarlo per lunghi periodi.
- Utilizzare la protezione di trasporto sul prodotto per evitare che si danneggi durante il trasporto e il rimessaggio.
- Bloccare il prodotto in modo sicuro durante il trasporto.

Smaltimento della batteria, del caricabatterie e del prodotto

Il simbolo seguente indica che il prodotto non è un rifiuto domestico. Riciclarlo in una stazione di riciclaggio per apparecchiature elettriche ed elettroniche. Ciò contribuisce a evitare danni all'ambiente e alle persone.

Per maggiori informazioni contattare le autorità locali, il servizio per rifiuti domestici o il rivenditore.



Nota: Il simbolo compare sul prodotto o sull'imballaggio.

Dati tecnici

Dati tecnici

	120iBV
Motore	
Tipo di motore	BLDC (senza spazzole) 36V
Peso	
Peso senza batteria, kg	4,6
Emissioni di rumore ¹⁰	
Livello di potenza acustica, misurato dB(A)	97
Livello acustico, garantito L _{WA} dB(A)	100
Livelli di rumorosità ¹¹	
Livello di pressione acustica equivalente rispetto all'udito dell'operatore, misurato in base alle norme EN/ISO 11203 e ISO 22868, dB(A):	84
Livelli di vibrazioni ¹²	
Livelli di vibrazioni delle impugnature anteriori/posteriori, misurati in base alla norma ISO 22867, m/s ²	1,4/1,7
Prestazioni della ventola	
Flusso d'aria con beccuccio standard in modalità normale, m ³ /min	6,7
Velocità massima dell'aria in modalità normale con ugello standard, m/s / mph	50/111

I dati sul rumore e le vibrazioni sono determinati sulla base del regime di potenza massima.

Batterie approvate

Per questo prodotto, utilizzare esclusivamente batterie originali Husqvarna 40-B

Batterie approvate

Batteria	40-B140
Tipo	Ioni di litio
Capacità batteria, Ah	4
Tensione nominale, V	36

¹⁰ Emissioni di rumore nell'ambiente misurate come potenza sonora (L_{WA}) in base alla direttiva CE 2000/14/CE. Il livello di potenza acustica riportato per il macchinario è stato misurato con il gruppo di taglio originale che emette il livello massimo. La differenza tra potenza acustica misurata e garantita è che la potenza acustica garantita comprende anche la dispersione nel risultato di misurazione e le variazioni tra le diverse macchine dello stesso modello come da Direttiva 2000/14/CE.

¹¹ I dati riportati per il livello di pressione acustica equivalente del macchinario hanno una dispersione statistica tipica (deviazione standard) di 3 dB (A).

¹² I dati riportati per il livello di vibrazioni presentano una dispersione statistica tipica (deviazione standard) di 1,5 m/s².

Batteria	40-B140
Peso, kg	1,25

Caricabatterie omologati

Caricabatterie	40-C80
Tensione di rete, V	100-240
Frequenza, Hz	50-60
Potenza, W	72
Tensione di uscita, V c.c. / amp, A	43/1,6

Dichiarazione di conformità

Dichiarazione di conformità UE

Husqvarna AB, SE-561 82 Huskvarna, SVEZIA, tel:
+46-36-146500, dichiara sotto la propria esclusiva
responsabilità che il prodotto indicato:

Descrizione	Soffiatore/Aspiratore portatile da giardino
Marchio	Husqvarna
Tipo/Modello	120iBV
Identificazione	Numeri di serie a partire dal 2022

È pienamente conforme alle seguenti norme e direttive
UE:

Regolamento	Descrizione
2006/42/CE	"sulle macchine"
2014/30/EU	"sulla compatibilità elettromagnetica"
2011/65/UE	"sulle restrizioni dell'uso di determinate sostanze pericolose nelle apparecchiature elettriche ed elettroniche"
2000/14/CE	"sull'emissione di rumore nell'ambiente"

e che sono applicati gli standard
e/o le specifiche tecniche seguenti:
EN 60335-1:2012+A11+A13+A1+A14+A2+A15, EN
50636-2-100:2014, EN IEC 63000:2018, EN ISO
12100:2010, EN IEC 55014-1:2021; EN IEC
55014-2:2021

In conformità alla direttiva 2000/14/CE, Allegato V, fare
riferimento a *Dati tecnici alla pagina 75* per i livelli sonori
dichiarati.

Huskvarna, 2023-01-16



Claes Losdal, Responsabile ricerca e sviluppo,
Husqvarna AB

Responsabile della documentazione tecnica

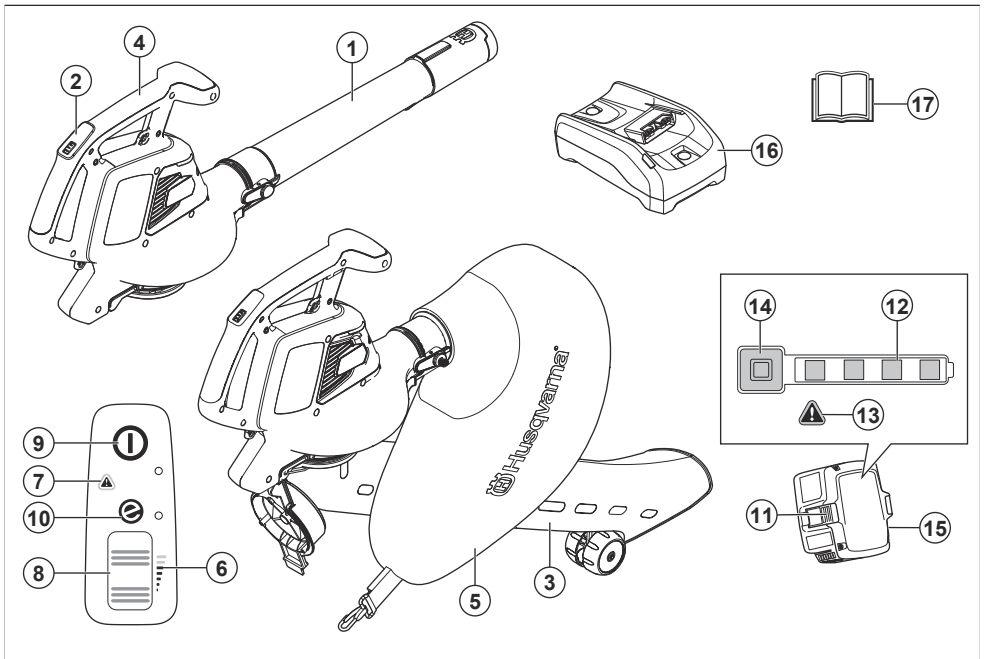


Inhalt

Einleitung.....	78	Fehlerbehebung.....	92
Sicherheit.....	80	Transport, Lagerung und Entsorgung.....	93
Montage.....	86	Technische Angaben.....	95
Betrieb.....	88	Konformitätserklärung.....	97
Wartung.....	90		

Einleitung

Geräteübersicht



- | | |
|------------------------------|---|
| 1. Blasrohr | 14. Betriebs- und Warnanzeige |
| 2. Tastatur | 15. Akku, nur im Husqvarna Laubblasgerätesatz 120iBV enthalten |
| 3. Saugrohr | 16. Akkuladegerät, nur im Husqvarna Laubblasgerätesatz 120iBV enthalten |
| 4. Handgriff | 17. Bedienungsanleitung |
| 5. Fangsack | |
| 6. Anzeige für Luftstrom | |
| 7. Warnanzeige (Fehler-LED) | |
| 8. Antriebsrad | |
| 9. Start-/Stopptaste | |
| 10. SavE-Anzeige | |
| 11. Akkuentriegelungstaste | |
| 12. Akkuladestatus | |
| 13. Warnanzeige (Fehler-LED) | |

Gerätebeschreibung

Das Husqvarna 120iBV ist ein Laubblas-/Laubsaugergerät mit Elektromotor.

Wir arbeiten ständig an der Weiterentwicklung unserer Geräte und behalten uns daher das Recht auf Änderungen ohne vorherige Ankündigung, z. B. von Form und Aussehen, vor.

Bestimmungsgemäße Verwendung

Laubblasmodus: Mit dem Laubblasgerät können Schmutzpartikel oder Rasenschnitt von Wegen, Einfahrten, Innenhöfen und dergleichen entfernt werden. Das Gerät eignet sich auch dazu, Rasenschnitt, Stroh oder Blätter anzuhäufen oder um Schmutzpartikel aus Ecken, Fugen oder Spalten zwischen Fliesen oder Ziegeln zu entfernen.

Laubsaugmodus: Mit dem Laubsauggerät kann trockenes Material aufgesaugt werden. Dazu gehören Blätter, Gras, kleine Zweige und Papierstücke.

Symbole auf dem Gerät



WARNUNG: Dieses Gerät kann gefährlich sein und schwere oder tödliche Verletzungen des Bedieners oder anderer Personen verursachen. Gehen Sie vorsichtig vor, und verwenden Sie das Gerät ordnungsgemäß.



Lesen Sie die Bedienungsanleitung sorgfältig durch, und machen Sie sich mit den Anweisungen vertraut, bevor Sie das Gerät benutzen.



Tragen Sie einen zugelassenen Augenschutz.



Nennspannung, V



Gleichstrom.



Etikett mit Geräuschemissionen gemäß EU- und UK-Richtlinien und Verordnungen sowie der australischen „Protection of the Environment Operations (Noise Control) Regulation 2017“ (Umweltschutz-/Lärmschutzbestimmung) von New South Wales. Der garantierte Schalleistungspegel des Geräts ist unter *Technische Angaben auf Seite 95* und auf dem Etikett angegeben.



Trennen Sie den Akku vor der Wartung.



Das Gerät und die Verpackung des Geräts dürfen nicht über den Hausmüll entsorgt werden. Recyceln Sie es an

einer Recyclingstation für elektrische und elektronische Geräte.



Dieses Gerät entspricht den geltenden EG-Richtlinien.



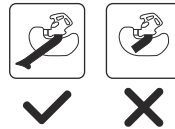
Dieses Gerät entspricht den geltenden UK-Richtlinien.



Verwenden Sie das Gerät nicht bei Regen.



Warten Sie, bis die Rortorklingen nach dem Ausschalten des Geräts zum Stillstand kommen.



Verwenden Sie das Gerät nur im Laubsaugmodus, wenn das Rohr vollständig zusammengesetzt ist.



Der Bediener des Laubblasgeräts hat dafür zu sorgen, dass Menschen und Tiere einen Abstand von mindestens 15 m einhalten. Wenn mehrere Bediener im selben Nahbereich arbeiten, muss der Sicherheitsabstand mindestens 15 m betragen. Das Laubblasgerät kann Gegenstände mit großer Kraft herausschleudern, die zurückprallen können. Dies kann zu schweren Augenverletzungen führen, wenn die empfohlene Schutzausrüstung nicht getragen wird.



Auf dem Typenschild ist die Seriennummer angegeben. **yyyy** ist das Produktionsjahr, **ww** steht für die Produktionswoche.

||||| wwwxxxx

Hinweis: Sonstige Symbole/Aufkleber auf dem Anbaugerät beziehen sich auf spezielle Zertifizierungsanforderungen, die in bestimmten Ländern gelten.

Symbole auf dem Akku und/oder auf dem Ladegerät



Recyceln Sie dieses Gerät an einer Recyclingstation für elektrische und elektronische Geräte. (nur für Europa)



Störungsfreier Transformator.



Das Akkuladegerät darf nur in geschlossenen Räumen benutzt und aufbewahrt werden.



Doppelt isoliert

Hersteller

Husqvarna AB

Drottninggatan 2, SE-561 82 Huskvarna

Produktschäden

Wir haften nicht für Schäden an unserem Produkt, wenn:

- das Gerät nicht ordnungsgemäß repariert wird.
- das Gerät mit Teilen repariert wird, die nicht vom Hersteller stammen oder nicht vom Hersteller zugelassen sind.
- ein Zubehörteil mit dem Gerät verwendet wird, das nicht vom Hersteller stammt oder nicht vom Hersteller zugelassen ist.
- das Gerät nicht bei einem zugelassenen Service Center oder von einem zugelassenen Fachmann repariert wird.

Sicherheit

Sicherheitsdefinitionen

Warnungen, Vorsichtsmaßnahmen und Hinweise werden verwendet, um auf besonders wichtige Teile der Bedienungsanleitung hinzuweisen.



WARNUNG: Wird verwendet, wenn bei Nichtbeachtung der Anweisungen in diesem Handbuch die Gefahr von Verletzung oder Tod des Bedieners oder anderer Personen besteht.



ACHTUNG: Wird verwendet, wenn bei Nichtbeachtung der Anweisungen in diesem Handbuch die Gefahr von Schäden am Produkt und/oder am Anbaugerät, an anderen Materialien oder in der Umgebung besteht.

Hinweis: Für weitere Informationen, die in bestimmten Situationen nötig sind.

Allgemeine Sicherheitshinweise



WARNUNG: Lesen Sie die folgenden Warnhinweise, bevor Sie das Gerät verwenden.

- Lesen Sie die Anweisungen sorgfältig, um sich mit den Bedienelementen und dem korrekten Betrieb

des Geräts vertraut zu machen. Eine unsachgemäße oder nachlässige Anwendung des Geräts kann gefährlich werden und zu schweren oder tödlichen Verletzungen des Bedieners oder anderer Personen führen.

- Unter keinen Umständen darf die ursprüngliche Konstruktion des Geräts ohne Genehmigung des Herstellers geändert werden. Arbeiten Sie niemals mit einem Gerät, das ohne Zustimmung des Herstellers modifiziert wurde und verwenden Sie stets Originalzubehör. Unzulässige Änderungen und/oder unzulässiges Zubehör können zu schweren oder sogar tödlichen Verletzungen des Anwenders oder anderer Personen führen. Möglicherweise deckt Ihre Gewährleistung keine Schäden, die durch die Verwendung von nicht zulässigem Zubehör oder nicht zulässigen Ersatzteilen verursacht werden, bzw. keine diesbezügliche Haftung ab.
- Dieses Gerät erzeugt beim Betrieb ein elektromagnetisches Feld. Dieses Feld kann sich unter bestimmten Bedingungen auf die Funktionsweise aktiver oder passiver medizinischer Implantate auswirken. Um die Gefahr von Situationen, die zu schweren oder tödlichen Verletzungen führen können, auszuschließen, sollten Personen mit einem medizinischen Implantat vor der Nutzung dieses Geräts ihren Arzt und den Hersteller des Implantats konsultieren.
- Entfernen Sie den Akku während des Ladens aus dem Gerät.

Allgemeine Sicherheitshinweise für Elektrowerkzeuge

Kontrolle vor dem Start

- Inspizieren Sie den Arbeitsbereich. Entfernen Sie alle losen Gegenstände, z. B. Steine, Glasscherben, Nägel, Drähte, Schnüre usw., die in die Luft geschleudert werden könnten.
- Entnehmen Sie stets den Akku, um einen versehentlichen Start des Geräts zu verhindern. Vor allen Wartungsarbeiten am Gerät ist stets der Akku abzutrennen.
- Vor Gebrauch des Geräts und nach jedem Zusammenstoß muss das Gerät auf Anzeichen von Verschleiß oder Schäden überprüft und ggf. repariert werden.
- Verwenden Sie nur Original-Ersatzteile.
- Der Bediener des Geräts hat darauf zu achten, dass während der Arbeit keine Menschen oder Tiere näher als 15 m an herankommen. Wenn mehrere Bediener am gleichen Einsatzort tätig sind, muss der Sicherheitsabstand mindestens 15 Meter betragen.
- Führen Sie vor dem Gebrauch der Maschine eine Gesamtüberprüfung durch (siehe Wartungsplan).
- Nationale oder regionale Bestimmungen regeln ggf. die Verwendung. Beachten Sie die jeweils gültigen Bestimmungen.

Persönliche Sicherheit

- **Blieben Sie aufmerksam, achten Sie auf das, was Sie tun, und setzen Sie einen gesunden Menschenverstand ein, wenn Sie mit Elektrowerkzeugen arbeiten. Benutzen Sie keine Elektrowerkzeuge, wenn Sie müde sind oder unter dem Einfluss von Drogen, Alkohol oder Medikamenten stehen.** Bei der Arbeit mit Elektrowerkzeugen können bereits kurze Phasen der Unaufmerksamkeit zu schweren Verletzungen führen.
- Zuschauer sollten einen Sicherheitsabstand einhalten.
- Der Gebrauch des Geräts durch Personen (einschließlich Kindern), die über eingeschränkte körperliche, sensorische oder geistige Fähigkeiten verfügen oder denen es an der erforderlichen Erfahrung und Kenntnissen mangelt, ist untersagt, sofern sie nicht von einer für ihre Sicherheit verantwortlichen Person bei der Arbeit überwacht und im Gebrauch des Geräts zuvor geschult wurden. Lassen Sie keine Kinder mit dem Gerät spielen. Das Gerät ist kein Spielzeug!
- Verhindern Sie, dass Kinder oder Personen, die mit diesen Anweisungen nicht vertraut sind, das Gerät benutzen. Unter Umständen gelten gesetzlich vorgeschriebene Altersbeschränkungen für den Bediener.
- Halten Sie Unbefugte auf Abstand. Kinder, Tiere, Zuschauer und Helfer sollten sich außerhalb einer

Sicherheitszone von 15 m befinden. Stellen Sie das Gerät sofort ab, wenn sich jemand nähert.

- Lagern Sie die Ausrüstung in einem verschließbaren Raum, sodass sie für Kinder und Unbefugte unzugänglich ist.
- Bedienen Sie die Maschine nicht auf einer gepflasterten oder Kiesfläche, wo das ausgeworfene Material Verletzungen verursachen könnte.
- Tragen Sie beim Betrieb des Geräts stets festes Schuhwerk und lange Hosen. Bedienen Sie das Gerät nicht barfuß oder mit Sandalen. Tragen Sie keine lose Kleidung oder Kleidungsstücke mit Fransen oder Troddeln.
- Tragen Sie keine lose Kleidung oder Schmuckstücke, die in den Lufterlass gesaugt werden können. Halten Sie lange Haare von den Lufterlässen fern.
- Arbeiten Sie niemals mit dem Gerät, wenn Sie müde sind, Alkohol getrunken oder Medikamente eingenommen haben, da hierdurch Sehkraft, Urteilsvermögen oder Körperkontrolle beeinträchtigt werden können.
- Tragen Sie persönliche Schutzausrüstung. Siehe Anweisungen unter der Überschrift „Persönliche Schutzausrüstung“.
- Für die Übergabe des Geräts an eine andere Person muss der Akku entnommen werden.
- Denken Sie stets daran, dass Sie als Bediener für eventuell entstehende Sach- und Personenschäden verantwortlich sind.

Verwendung und Pflege von Elektrowerkzeugen

- Arbeiten Sie niemals mit einem Gerät, das ohne Zustimmung des Herstellers modifiziert wurde und nicht mehr mit der Originalausführung übereinstimmt. Das Gerät darf niemals in der Nähe explosiver oder feuergefährlicher Materialien verwendet werden.
- Arbeiten Sie niemals mit einem defekten Gerät. Die Kontroll-, Wartungs- und Serviceanweisungen in dieser Bedienungsanleitung sind genau zu befolgen. Gewisse Wartungs- und Servicemaßnahmen sind von geschulten, qualifizierten Fachleuten auszuführen. Siehe die Anweisungen unter der Überschrift **Wartung**.
- Nur Original-Ersatzteile verwenden.
- Es ist sicherzustellen, dass die Lüftungsöffnungen stets frei von Schmutz sind.
- Vor dem Start müssen sämtliche Abdeckungen, Schutzvorrichtungen und Griffe angebracht sein.
- Betreiben Sie das Gerät nur bei Tageslicht oder guter Beleuchtung.
- Verwenden Sie das Gerät niemals bei schlechtem Wetter, z. B. bei Nebel, Regen, Feuchtigkeit oder an feuchten Orten, bei starkem Wind, großer Kälte, Gewittergefahr usw. Extrem heißes Wetter kann zur Überhitzung des Geräts führen. Der Betrieb

bei schlechtem Wetter ist sehr ermüdend und kann gefährliche Umstände herbeiführen, z. B. Rutschgefahr.

- Wenn das Gerät anfängt, ungewöhnlich zu vibrieren, halten Sie es an und entfernen Sie den Akku.
- Gehen Sie, rennen Sie nicht.

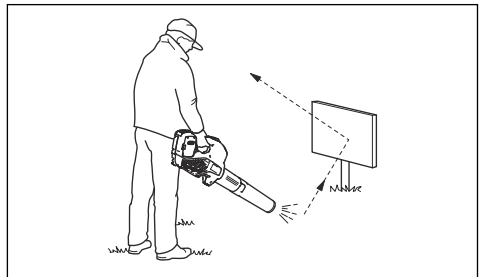
Sicherheitshinweise für den Betrieb



WARNUNG: Lesen Sie die folgenden Warnhinweise, bevor Sie das Gerät verwenden.

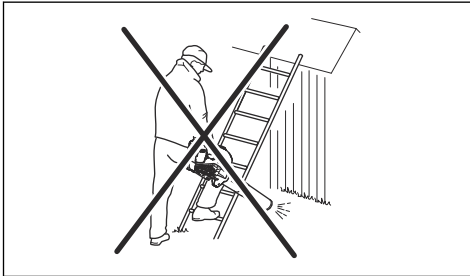
- Wenn Sie in eine Situation kommen, die Sie in Bezug auf die weitere Anwendung des Geräts verunsichert, lassen Sie sich von einem Experten beraten. Wenden Sie sich an Ihren Händler oder Ihre Servicewerkstatt. Führen Sie keine Arbeiten aus, mit denen Sie überfordert sind.
- Vergewissern Sie sich, dass Sie sicher gehen und stehen können. Achten Sie auf eventuelle Hindernisse (Wurzeln, Steine, Äste, Löcher, Gräben usw.), wenn Sie unvermittelt Ihren Standort wechseln. Beim Arbeiten auf abschüssigem Boden müssen Sie immer sehr vorsichtig sein.
- Nehmen Sie stets eine sichere Arbeitsstellung mit festem Stand ein. Sorgen Sie für einen festen Stand.
- Achten Sie immer genau auf Warnsignale oder Rufe, wenn Sie den Gehörschutz tragen. Nehmen Sie den Gehörschutz immer ab, sobald das Gerät abgestellt ist.
- Verwenden Sie das Gerät niemals in der Nähe offener Fenster.
- Nehmen Sie Rücksicht auf Menschen in Ihrer Umgebung: Vermeiden Sie es, das Gerät zu unpassenden Zeiten zu verwenden, z. B. am späten Abend oder am frühen Morgen. Befolgen Sie die örtlichen Vorschriften und Verordnungen.
- Verwenden Sie das Gerät mit einem möglichst geringen Luftstrahl. Es ist nur selten notwendig, mit vollem Luftstrahl zu arbeiten. Viele Arbeiten können mit halbem Luftstrahl ausgeführt werden. Ein geringerer Luftstrahl macht nicht nur weniger Lärm, es wird auch weniger Staub aufgewirbelt. Zudem haben Sie eine bessere Kontrolle über das Material, das zusammen- oder weggeblasen werden soll.
- Befeuchten Sie die Oberfläche, wenn Sie das Gerät bei staubigen Bedingungen verwenden.
- Lösen Sie am Boden festsitzenden Unrat mit Hilfe einer Harke oder eines Besens.
- Halten Sie die Ausblasöffnung so nah wie möglich am Boden.
- Behalten Sie Ihre Umgebung im Blick. Richten Sie das Gerät immer von Menschen, Tieren, Spielplätzen, Autos usw. weg.
- Verringern Sie die Blaszeit durch leichtes Befeuchten staubiger Bereiche oder die Verwendung von Sprühhvorrichtungen.

- Achten Sie auf die Windrichtung. Es ist einfacher, mit dem Wind zu arbeiten.
- Stoppen Sie das Gerät und entfernen Sie den Akku, wenn das Gerät ungewöhnlich stark vibriert.
- Das Laubblasgerät sollte nicht zum Verlagern großer Laubhaufen benutzt werden, da dies sehr zeitaufwendig ist und unnötigen Lärm verursacht.
- Hinterlassen Sie Ihren Arbeitsbereich sauber. Vergewissern Sie sich, dass Sie keinen Unrat auf fremde Grundstücke geblasen haben.
- Laufen Sie nicht mit dem Gerät.
- Durch den starken Luftstrahl können Fremdkörper mit einer solchen Geschwindigkeit weggeblasen werden, dass sie zurückprallen und schwere Augenverletzungen hervorrufen.



- Richten Sie den Luftstrahl niemals auf Menschen oder Tiere.
- Stellen Sie den Motor ab, bevor Sie Zubehörteile oder andere Komponenten an- oder abmontieren.
- Halten Sie alle Körperteile von heißen Oberflächen fern.
- Stellen Sie das Gerät niemals im aktivierten Zustand unbeaufsichtigt ab.
- Stoppen Sie das Gerät und entfernen Sie den Akku. Stellen Sie sicher, dass alle beweglichen Teile in folgenden Situationen vollständig zum Stillstand gekommen sind:
 - Wenn Sie sich vom Gerät entfernen
 - Bevor Sie Verstopfungen entfernen oder den Behälter/Auswurf reinigen
 - Bevor Sie das Gerät prüfen, reinigen oder Arbeiten daran ausführen
- Schalten Sie die Stromquelle sofort aus und warten Sie, bis das Gerät stoppt, wenn der Schneidmechanismus auf Fremdkörper trifft oder wenn das Gerät ungewöhnliche Geräusche oder Vibrationen verursacht. Trennen Sie den Akku vom Gerät und führen Sie die folgenden Schritte aus, bevor Sie das Gerät neu starten und bedienen:
 - Prüfen Sie das Gerät auf Schäden.
 - Ersetzen oder reparieren Sie beschädigte Teile.
 - Prüfen Sie das Gerät auf lose Teile und ziehen Sie alle losen Teile fest.

- Schalten Sie die Stromquelle aus und trennen Sie das Gerät vom Akku, bevor Sie Fremdkörper vom Gerät entfernen, sollte es verstopft sein.
- Transportieren Sie dieses Gerät nicht bei laufender Stromversorgung.
- Kippen Sie das Gerät nicht bei laufender Stromversorgung.
- Das Laubblasgerät darf nicht auf Leitern oder Gerüsten benutzt werden.



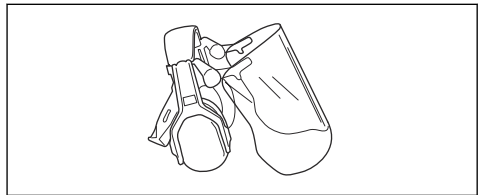
- Sie dürfen das Gerät niemals verwenden, wenn nicht die Möglichkeit besteht, bei einem Unfall Hilfe herbeizurufen.
- Achten Sie auf hochgeschleuderte Gegenstände. Hochgeschleuderte Steine, Unrat usw. können die Augen treffen und Blindheit oder schwere Verletzungen verursachen.
- Verwenden Sie beim Laden des Geräts einen Fehlerstromschutzschalter (RCI), um die Sicherheit zu erhöhen. Ein Fehlerstromgerät wurde zum Schutz des Bedienungspersonals angebracht, falls es zu einem elektrischen Fehler kommen sollte.
- Dieses Gerät ist äußerst vibrationsarm. Personen mit Kreislaufstörungen, die zu oft Vibrationen ausgesetzt werden, laufen Gefahr, Schäden an den Blutgefäßen oder am Nervensystem davonzutragen. Gehen Sie zum Arzt, wenn Sie Symptome feststellen, die darauf hinweisen, dass Sie übermäßigen Vibrationen ausgesetzt waren. Beispiele für solche Symptome sind: Einschlafen von Körperteilen, Gefühlsverlust, Jucken, Stechen, Schmerzen, Verlust oder Beeinträchtigung der normalen Körperkraft, Veränderungen der Hautfarbe oder der Haut. Diese Symptome treten üblicherweise in Fingern, Händen und Handgelenken auf.
- Verwenden Sie das Gerät nur für solche Arbeiten, für die es vorgesehen ist.
- Es ist unmöglich, hier alle denkbaren Situationen zu beschreiben. Gehen Sie stets vorsichtig vor und arbeiten Sie mit gesundem Menschenverstand. Vermeiden Sie Situationen, denen Sie sich nicht gewachsen fühlen. Wenn Sie sich nach dem Lesen dieser Anweisungen immer noch unsicher fühlen, wie Sie vorgehen sollen, bitten Sie einen Fachmann um Rat, bevor Sie fortfahren.

Persönliche Schutzausrüstung

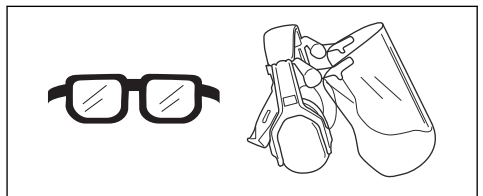


WARNUNG: Lesen Sie die folgenden Warnhinweise, bevor Sie das Gerät verwenden.

- Verwenden Sie stets die vorgeschriebene persönliche Schutzausrüstung bei der Benutzung des Geräts. Die persönliche Schutzausrüstung kann Verletzungen nicht vollständig vermeiden, vermindert aber den Umfang der Verletzungen und Schäden bei einem Unfall. Lassen Sie sich von Ihrem Händler bei der Auswahl der richtigen Ausrüstung unterstützen.
- Eine längerfristige Beschallung mit Lärm kann zu Gehörschäden führen. Grundsätzlich sind akkubetriebene Geräte relativ leise. Durch die Kombination aus Schallpegel und langer Nutzungsdauer kann es jedoch zu Gehörschäden kommen. empfiehlt das Tragen eines Gehörschutzes, wenn das Gerät an einem Tag länger durchgehend benutzt wird. Ständige und regelmäßige Benutzer sollten ihr Gehör regelmäßig untersuchen lassen. Beachten Sie, dass ein Gehörschutz die Wahrnehmung von Geräuschen und Warnsignalen einschränkt.

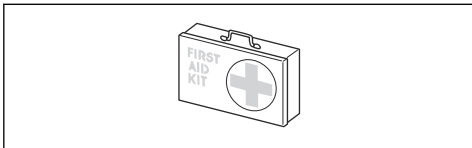


- Tragen Sie einen zugelassenen Augenschutz. Bei der Benutzung eines Visiers ist außerdem eine zugelassene Schutzbrille zu tragen. Zugelassene Schutzbrillen sind in diesem Falle diejenigen, die die Normen ANSI Z87.1 für die USA bzw. EN 166 für EU-Länder erfüllen.



- Tragen Sie Kleidung aus reißfestem Material. Tragen Sie stets lange Hosen aus schwerem Stoff und lange Ärmel. Tragen Sie keine weite Kleidung, die sich leicht an Ästen und Zweigen verfangen könnte. Vermeiden Sie das Tragen von Schmuck, kurzen Hosen und Sandalen. Gehen Sie nicht barfuß. Binden Sie Ihre Haare sicherheitsshalber zusammen, sodass sie nicht über Ihre Schultern fallen.

- Halten Sie eine Erste-Hilfe-Ausrüstung und einen Feuerlöscher griffbereit.



- Bei staubigen Arbeitsbedingungen ist ein Atemschutz zu tragen.

Sicherheitsvorrichtungen am Gerät

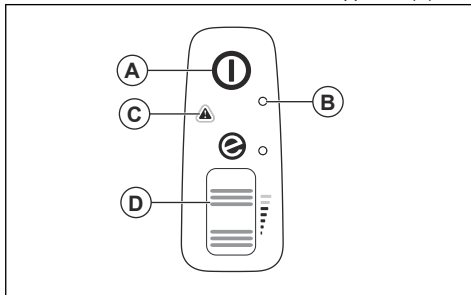


WARNUNG: Lesen Sie die folgenden Warnhinweise, bevor Sie das Gerät verwenden.

- In diesem Abschnitt werden einzelnen Teile der Sicherheitsausrüstung des Gerätes beschrieben, welche Funktion sie haben und wie ihre Kontrolle und Wartung ausgeführt werden sollen, um sicherzustellen, dass sie funktionsfähig sind. Unter der Überschrift *Geräteübersicht auf Seite 78* finden Sie Angaben zur Position der Teile an Ihrem Gerät.
- Die Lebensdauer des Geräts kann verkürzt werden und die Unfallgefahr kann steigen, wenn die Wartung des Geräts nicht ordnungsgemäß und Service und/oder Reparaturen nicht fachmännisch ausgeführt werden. Wenden Sie sich für weitere Informationen an Ihre Vertragswerkstatt.
- Benutzen Sie kein Gerät mit defekten Sicherheitsvorrichtungen. Die Sicherheitsausrüstung des Gerätes muss so kontrolliert und gewartet werden, wie dies in diesem Abschnitt beschrieben wird. Wenn Ihr Gerät diesen Anforderungen nicht entspricht, muss eine Servicewerkstatt aufgesucht werden.
- Service und Reparatur des Geräts erfordern eine Spezialausbildung. Dies gilt besonders für die Sicherheitsausrüstung des Geräts. Wenn Ihr Gerät den unten aufgeführten Kontrollanforderungen nicht entspricht, müssen Sie Ihre Servicewerkstatt aufsuchen. Beim Kauf eines unserer Geräte wird gewährleistet, dass Reparatur- oder Servicearbeiten fachmännisch ausgeführt werden. Sollte der Verkäufer Ihres Geräts nicht an unser Fachhändler-Service-Netz angeschlossen sein, fragen Sie nach unserer nächstgelegenen Servicewerkstatt.

So prüfen Sie die Tastatur

1. Drücken und halten Sie die Start-/Stoptaste (A).



- a) Das Gerät ist eingeschaltet, wenn die LED (B) leuchtet.
 - b) Das Gerät ist ausgeschaltet, wenn die LED (B) aus ist.
2. Siehe *Anwenderschnittstelle auf Seite 92* wenn die Warnanzeige (C) aufleuchtet oder blinkt.
 3. Drücken Sie kurz das Antriebsrad (D), um sicherzustellen, dass es sich frei bewegen kann.

Sicherer Umgang mit Akkus



WARNUNG: Lesen Sie die folgenden Warnhinweise, bevor Sie das Gerät verwenden.

- Verwenden Sie nur Akkus der Serie 40-B, die wir für Ihr Gerät empfehlen. Siehe *Zugelassene Akkus auf Seite 95*. Die Akkus verfügen über eine Softwareverschlüsselung.
- Verwenden Sie die Akkus der wiederaufladbaren Serie 40-B nur als Stromversorgung für die zugehörigen Husqvarna Geräte. Um Verletzungen zu vermeiden, verwenden Sie den Akku nicht zur Energieversorgung anderer Geräte.
- Es besteht die Gefahr von elektrischen Schlägen. Verbinden Sie die Akkuklemmen nicht mit Schlüsseln, Schrauben oder anderen metallischen Gegenständen. Dadurch kann es zu einem Kurzschluss des Akkus kommen.
- Benutzen Sie keine Akkus, die nicht wiederaufladbar sind.
- Legen Sie keine Gegenstände in die Luftschlitze des Akkus.
- Halten Sie den Akku von direkter Sonneneinstrahlung, Hitze oder offenem Feuer fern. Der Akku kann Verbrennungen und/oder chemische Verätzungen verursachen.
- Halten Sie den Akku von Regen und Feuchtigkeit fern.
- Halten Sie den Akku von Mikrowellen und hohem Druck fern.
- Versuchen Sie nicht, den Akku zu zerlegen oder aufzubrechen.

- Der Akku darf nur bei Temperaturen zwischen -10 °C (14 °F) und 40 °C (104 °F) verwendet werden.
- Reinigen Sie weder den Akku noch das Ladegerät mit Wasser. Siehe *So reinigen Sie das Gerät, den Akku und das Ladegerät auf Seite 91*.
- Verwenden Sie keine fehlerhaften oder beschädigten Akkus.
- Lagern Sie Akkus getrennt von Metallgegenständen wie Nägeln, Schrauben oder Schmuck.
- Halten Sie den Akku fern von Kindern.

Sicherer Umgang mit dem Ladegerät



WARNUNG: Lesen Sie die folgenden Warnhinweise, bevor Sie das Gerät verwenden.

- Gefahr von elektrischen Schlägen oder Kurzschluss, wenn die Sicherheitshinweise nicht beachtet werden.
- Verwenden Sie nur das mitgelieferte Ladegerät für Ihr Gerät. Verwenden Sie zum Laden von Husqvarna 40-B140 Ersatzakkus ausschließlich 40-C80 Ladegeräte. Siehe *Zugelassene Ladegeräte auf Seite 96* und *Zugelassene Akkus auf Seite 95*.
- Das Ladegerät nicht zerlegen.
- Verwenden Sie keine fehlerhaften oder beschädigten Ladegeräte.
- Heben Sie das Ladegerät nicht am Netzkabel an. Um das Ladegerät von der Steckdose zu trennen, ziehen Sie am Netzstecker. Ziehen Sie nicht am Netzkabel.
- Achten Sie darauf, dass keines der Kabel und Verlängerungskabel mit Wasser, Öl oder scharfen Kanten in Berührung kommt. Achten Sie darauf, dass Kabel nicht zwischen Objekten, z. B. Türen, Zäunen o. Ä., eingeklemmt werden.
- Das Ladegerät darf nicht in der Nähe von entflammaren Materialien oder Materialien, die Korrosion verursachen können, verwendet werden. Vergewissern Sie sich, dass das Ladegerät nicht abgedeckt ist. Bei Rauchentwicklung oder Feuer muss der Stecker des Ladegeräts sofort aus der Steckdose gezogen werden.
- Laden Sie den Akku nur in geschlossenen Räumen an einem Ort mit guter Luftzirkulation und ohne direkte Sonneneinstrahlung. Laden Sie den Akku nicht im Freien. Auf keinen Fall Akkus in feuchter Umgebung laden.
- Verwenden Sie das Ladegerät nur bei mit einer Temperatur zwischen 5 °C (41 °F) und 40 °C

(104 °F). Verwenden Sie das Ladegerät nur in einer gut belüfteten, trockenen und staubfreien Umgebung.

- Legen Sie keine Gegenstände in die Kühlschlitze des Ladegeräts.
- Verbinden Sie die Anschlüsse des Ladegeräts niemals mit Metallgegenständen. Dies kann zu einem Kurzschluss im Ladegerät führen.
- Nutzen Sie zugelassene Steckdosen, die nicht beschädigt sind. Stellen Sie sicher, dass das Kabel des Ladegeräts nicht beschädigt ist. Wenn Verlängerungskabel verwendet werden, stellen Sie sicher, dass diese nicht beschädigt sind.

Sicherheitshinweise für die Wartung



WARNUNG: Lesen Sie folgende Warnhinweise, bevor Sie das Gerät warten.

- Lassen Sie das Gerät abkühlen, wenn Sie es zur Wartung, Prüfung, Lagerung oder zum Austausch von Zubehör ausschalten. Erst dann dürfen Sie es prüfen, Einstellungen vornehmen usw. Warten Sie das Gerät sorgfältig und halten Sie es sauber.
- Entfernen Sie vor Wartungs-, Kontroll- oder Montagearbeiten den Akku.
- Der Bediener darf nur die Wartungs- und Servicearbeiten ausführen, die in dieser Bedienungsanleitung beschrieben sind. Für darüber hinausgehende Wartungs- und Servicearbeiten wenden Sie sich bitte an Ihren Servicehändler.
- Stellen Sie sicher, dass alle Muttern, Bolzen und Schrauben stets fest angezogen sind, um einen sicheren Betriebszustand des Geräts zu gewährleisten.
- Ersetzen Sie verschlissene oder beschädigte Teile.
- Wenn Wartungsarbeiten nicht durchgeführt werden, verringert sich die Lebensdauer des Geräts, und die Unfallgefahr steigt.
- Für alle Service- und Reparaturarbeiten, insbesondere an den Sicherheitsvorrichtungen des Geräts, ist eine spezielle Schulung erforderlich. Wenn nach den Wartungsarbeiten nicht alle in dieser Bedienungsanleitung beschriebenen Prüfungen mit positivem Ergebnis ausfallen, wenden Sie sich an Ihren Servicehändler. Wir garantieren Ihnen, dass für Ihr Gerät professionelle Service- und Reparaturdienste verfügbar sind.
- Verwenden Sie nur Original-Ersatzteile.

Montage

Laubblasmodus



WARNUNG:

Es können Schnittverletzungen entstehen, wenn sich die Rotorklingen drehen oder das Gerät unbeabsichtigt gestartet wird. Entfernen Sie den Akku und warten Sie, bis die Rotorklingen zum Stillstand kommen, bevor Sie das Gerät zusammensetzen.

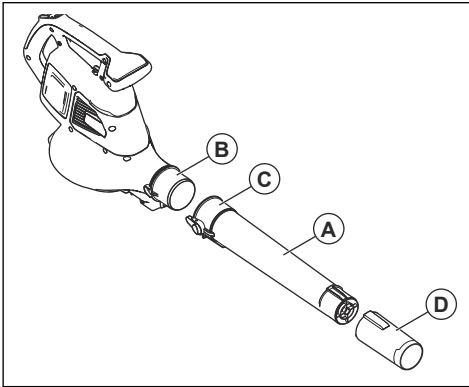


WARNUNG: Setzen Sie das Blasrohr und die Lufteinlassabdeckung vollständig zusammen, bevor Sie das Gerät im Laubblasmodus verwenden.

Zur Montage des Blasrohrs

Hinweis: Wenn das Blasrohr nicht korrekt zusammengesetzt ist, verhindert der Sicherheitsschalter, dass das Laubblasgerät startet.

1. Schieben Sie das Blasrohr (A) vollständig auf den Blausauslass (B). Die Verriegelung (C) rastet mit einem hörbaren Klickgeräusch ein.

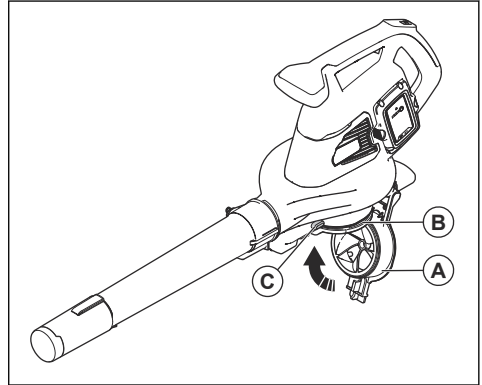


2. Montieren Sie die Ausblasöffnung (D) am Blasrohr. Die Ausblasöffnung rastet mit einem hörbaren Klickgeräusch in der richtigen Position ein.

So setzen Sie die Lufteinlassabdeckung zusammen

Hinweis: Wenn die Lufteinlassabdeckung nicht korrekt montiert ist, verhindert der Sicherheitsschalter, dass das Laubblasgerät startet.

- Schließen Sie die Lufteinlassabdeckung (A) am Laubblaseinlass (B) an. Die Verriegelung (C) rastet mit einem hörbaren Klickgeräusch ein.



Saugmodus



WARNUNG: Setzen Sie das Saugrohr und den Fangsack vollständig zusammen, bevor Sie das Gerät im Laubsaugmodus verwenden.

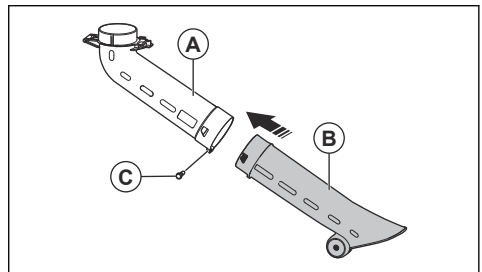
So setzen Sie das Saugrohr zusammen



WARNUNG: Setzen Sie die oberen und unteren Saugrohre zusammen, bevor Sie das Gerät starten.

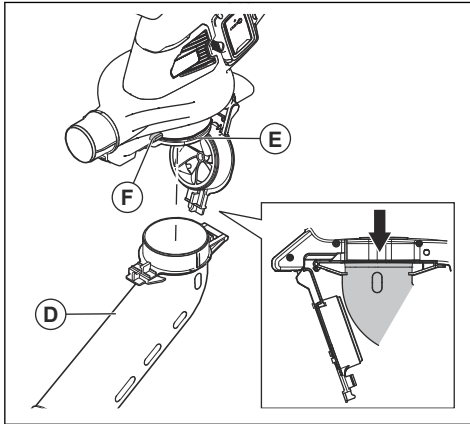
Hinweis: Wenn das Saugrohr nicht korrekt zusammengesetzt ist, verhindert der Sicherheitsschalter, dass das Laubsauggerät startet.

1. Richten Sie die Schlitzte auf dem oberen Saugrohr (A) mit den Laschen auf dem unteren Saugrohr (B) aus.



2. Schieben Sie das untere Saugrohr auf das obere Saugrohr, bis Sie ein Klickgeräusch wahrnehmen.

3. Ziehen Sie die Schraube (C) an.
4. Verbinden Sie das Saugrohr (D) mit dem Saugeinlass (E). Die Verriegelung (F) rastet mit einem hörbaren Klickgeräusch ein.



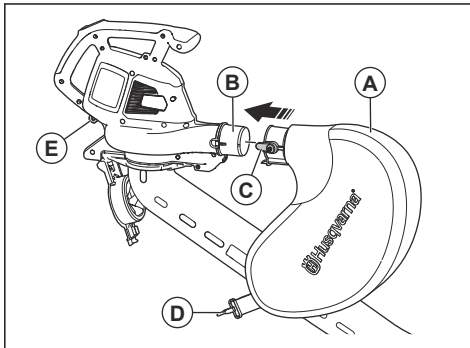
So bauen Sie den Fangsack zusammen

Hinweis: Wenn der Fangsack nicht korrekt zusammengesetzt ist, verhindert der Sicherheitsschalter, dass das Laubsauggerät startet.

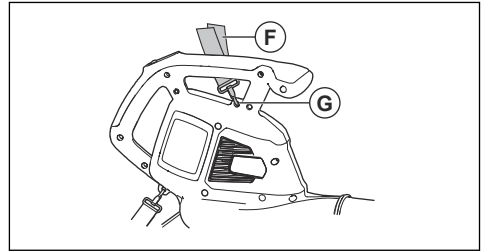


WARNUNG: Schalten Sie das Gerät vor dem Anbringen oder Entfernen des Sacks aus.

1. Nehmen Sie das Blasrohr ab, falls es am Gerät montiert ist.
2. Schieben Sie den Fangsack (A) auf den Saugauslass (B). Die Verriegelung (C) rastet mit einem hörbaren Klickgeräusch ein.



3. Verbinden Sie den Gurt des Fangsack (D) mit der Halterung (E).
4. Verbinden Sie den Schultergurt (F) mit der Halterung (G).



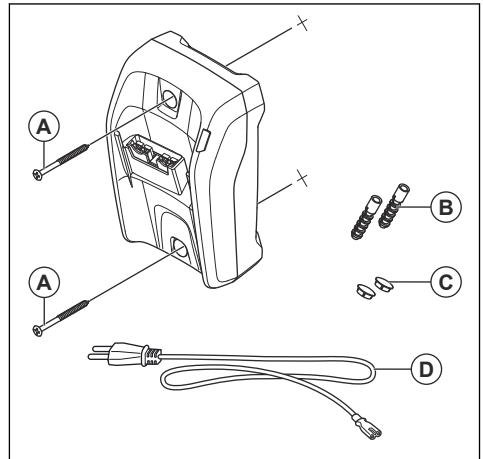
5. Stellen Sie sicher, dass der Fangsack vollständig geschlossen ist.

So installieren Sie das Ladegerät an der Wand



ACHTUNG: Verwenden Sie keinen Akkuschrauber, um das Ladegerät an der Wand zu installieren. Ein Akkuschrauber kann das Ladegerät beschädigen.

1. Befestigen Sie das Ladegerät mit den 2 Schrauben (A) an der Wand. Verwenden Sie bei Bedarf Dübel (B).



2. Setzen Sie die beiden Bohrlochstopfen (C) ein.
3. Schließen Sie das Netzkabel (D) an das Ladegerät und an eine Steckdose an.

Betrieb

Einleitung



WARNUNG: Lesen Sie vor Gebrauch des Geräts das Kapitel über Sicherheit, und machen Sie sich damit vertraut.

So führen Sie eine Funktionsprüfung vor Verwendung des Geräts durch

1. Kontrollieren Sie den Lufteinlass auf Verschmutzung und Risse. Entfernen Sie mit einem Pinsel Gras und Blätter aus dem Gerät.
2. Vergewissern Sie sich, dass das Gerät ordnungsgemäß funktioniert.
3. Prüfen Sie alle Muttern und Schrauben und stellen Sie sicher, dass sie angezogen sind.

Akku



WARNUNG: Lesen Sie vor Gebrauch des Akkus das Kapitel über Sicherheit, und machen Sie sich damit vertraut. Lesen Sie außerdem die Bedienungsanleitung für den

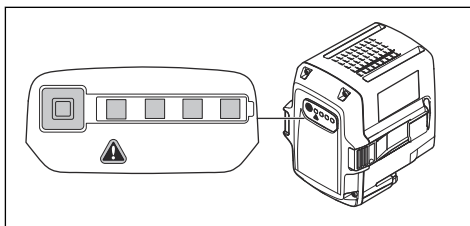
Akku und das Ladegerät, und machen Sie sich damit vertraut.

Sorgen Sie für die richtigen Umgebungstemperaturen von Akku und Ladegerät.

	Umgebungstemperatur
Betrieb des Akkus	5 °C-40 °C/41 °F-104 °F
Laden des Akkus	5 °C-40 °C/41 °F-104 °F

Akkuladezustand

Auf dem Display werden der Ladezustand und eventuelle Störungen des Akkus angezeigt.



LED-Anzeigelampe	Akku-Ladezustand
4 LEDs leuchten	Der Akku ist zu 76 % - 100 % geladen.
3 LEDs leuchten	Der Akku ist zu 51 % - 75 % geladen.
2 LEDs leuchten	Der Akku ist zu 26 % - 50 % geladen.
1 LED leuchtet	Der Akku ist zu 6 % - 25 % geladen.
1 LED blinkt	Der Akku ist zu 0 % - 5 % geladen.

So laden Sie den Akku

Laden Sie den Akku, wenn Sie ihn zum ersten Mal verwenden. Ein neuer Akku ist nur zu 30 % geladen.

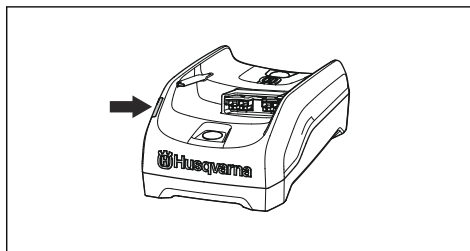


ACHTUNG: Schließen Sie das Ladegerät an eine Steckdose mit der auf dem Typenschild angegebenen Spannung und Frequenz an.

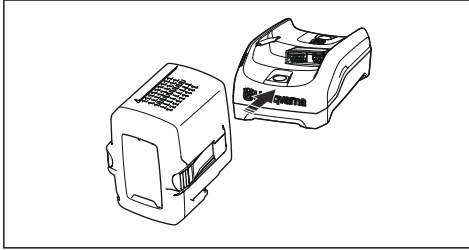
Der Akku wird nicht aufgeladen, wenn die Akkutemperatur mehr als 50 °C/122° F beträgt.

1. Schließen Sie das Netzkabel an das Ladegerät an.

2. Schließen Sie das Ladegerät an eine geerdete Steckdose an. Die Lade-LED blinkt ein Mal.



- Schließen Sie den Akku an das Ladegerät an. Die Lade-LED leuchtet auf. Laden Sie den Akku für maximal 24 Stunden.



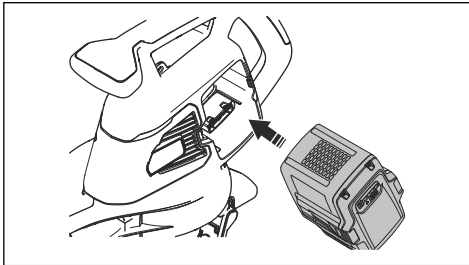
- Drücken Sie die Taste für den Akku-Ladezustand. Wenn alle LED-Anzeigelampen aufleuchten, ist der Akku vollständig geladen.
- Ziehen Sie den Netzstecker, um das Ladegerät von der Steckdose zu trennen. Ziehen Sie nicht am Netzkabel.
- Nehmen Sie den Akku aus dem Ladegerät.

So schließen Sie den Akku an das Gerät an



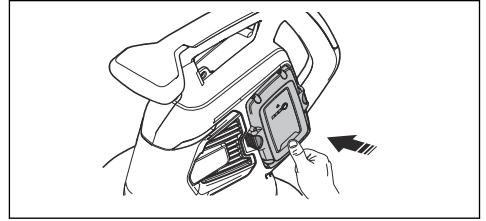
WARNUNG: Verwenden Sie im Gerät nur originale Husqvarna-Akkus.

- Stellen Sie sicher, dass der Akku vollständig geladen ist.
- Schieben Sie den Akku in das Akkufach des Geräts. Der Akku muss leicht einzuführen sein, anderenfalls ist er nicht korrekt eingesetzt.



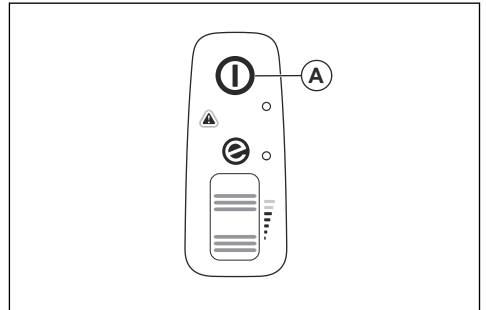
- Drücken Sie den unteren Teil des Akkus so weit wie möglich in das Akkufach. Der Akku verriegelt sich mit einem hörbaren Klickgeräusch in der richtigen Position.

- Stellen Sie sicher, dass die Riegel ordnungsgemäß einschnappen.

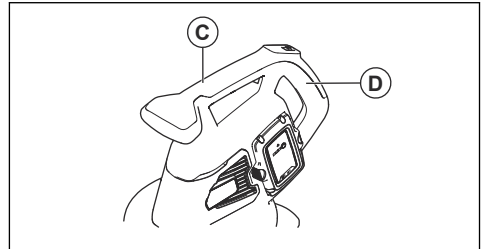


So starten Sie das Gerät

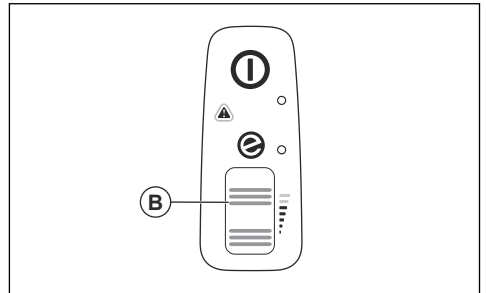
- Drücken und halten Sie die Start-/Stopp-Taste (A), bis die grüne LED erlischt.



- Halten Sie den Zusatzhandgriff (C) mit der einen und den Haupthandgriff (D) mit der anderen Hand.

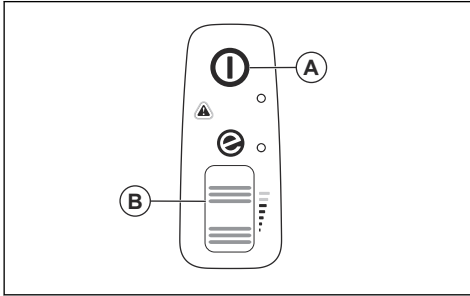


- Drehen Sie das Antriebsrad (B) nach oben, um den Laubblas- oder den Laubsaugmodus zu starten.



So stoppen Sie das Gerät

1. Drehen Sie das Antriebsrad (B) nach unten, um den Laubblas- oder den Laubsaugmodus zu stoppen.

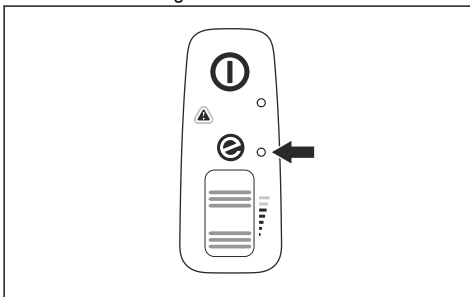


2. Drücken und halten Sie die Start-/Stopp-Taste (A), bis die grüne LED erlischt.

ECO-Modus

Der ECO-Modus verlängert die Nutzungsdauer der Batterie.

- Drehen Sie das Antriebsrad nach unten, um den ECO-Modus zu starten. Die LED leuchtet auf, wenn der ECO-Modus gestartet wird.



- Drehen Sie das Antriebsrad nach oben, um den normalen Modus zu starten. Die LED erlischt, wenn der normale Modus gestartet wird.

Entleeren des Fangsacks



WARNUNG:

Scharfe Objekte können Verletzungen verursachen. Stecken Sie Ihre Hände nicht in den Fangsack, wenn Sie ihn leeren.

1. Stoppen Sie das Gerät.
2. Entfernen Sie den Fangsack.
3. Drehen Sie die Innenseite des Fangkorbs nach außen und entfernen Sie die aufgefangenen Objekte.
4. Waschen Sie den Sack mit einem Schlauch aus.
5. Lassen Sie den Fangsack trocknen.
6. Bringen Sie den Fangsack wieder an.

Automatische Abschaltfunktion

Das Gerät verfügt über eine automatische Abschaltfunktion, die das Gerät anhält, wenn es nicht verwendet wird. Das Gerät schaltet sich nach 1 Minute ab.

Wartung

Einleitung



WARNUNG: Vor der Durchführung von Wartungsarbeiten müssen Sie die Sicherheitsinformationen lesen und verstehen.

Wartungsplan



WARNUNG: Entfernen Sie den Akku, bevor Sie Wartungsarbeiten durchführen.

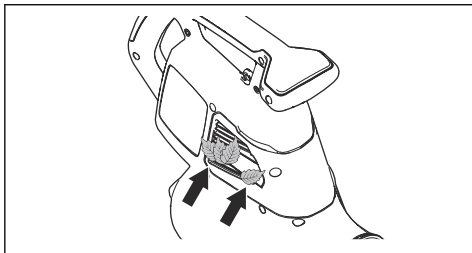
Nachstehend sind die am Gerät vorzunehmenden Wartungsmaßnahmen aufgelistet.

Instand halten	Täglich	Wöchent-lich	Monatlich
Reinigen Sie die Außenfläche mit einem sauberen und trockenen Tuch. Kein Wasser verwenden.	X		
Halten Sie die Griffe trocken, sauber und frei von Öl und Schmierfett.	X		
Vergewissern Sie sich, dass die Start-/Stopp-Taste ordnungsgemäß funktioniert und unbeschädigt ist.	X		

Instand halten	Taglich	Wochent-lich	Monatlich
Vergewissern Sie sich, dass das Antriebsrad in Bezug auf die Sicherheit ordnungsgema funktioniert.	X		
berprfen Sie, ob die Muttern und Schrauben fest sitzen.	X		
Den Akku auf Schaden kontrollieren.	X		
	X		
Vergewissern Sie sich, dass die Entriegelungstasten am Akku ordnungsgema funktionieren und der Akku in das Gerat einrastet.	X		
Das Ladegerat auf Beschadigungen berprfen und sicherstellen, dass es ordnungsgema funktioniert.	X		
Prfen Sie alle Kupplungen, Anschlsse und Kabel auf Beschadigungen und vergewissern Sie sich, dass sie frei von Schmutz sind.		X	
Prfen Sie die Verbindungen zwischen Akku und Gerat sowie zwischen Akku und Ladegerat.			X
Reinigen Sie die Luftschlitze mit einer weichen Brste (verwenden Sie keinen Schraubendreher).	X		
Entfernen und reinigen Sie das Blasrohr oder das Saugrohr.	X		
Leeren und reinigen Sie den Fangsack. Siehe <i>Entleeren des Fangsacks auf Seite 90</i> .	X		
Entfernen Sie Gras, Blatter, Schmutz oder Fremdkrper von der Lufteinlassffnung und der Lufteinlassabdeckung.	X		
Prfen Sie das Lfterrad auf Verschmutzung und reinigen Sie es bei Bedarf mit einem stumpfen, langen Gegenstand.	X		

So prfen Sie den Lufteinlass

1. Achten Sie darauf, dass der Lufteinlass auf keiner Seite des Gerats blockiert ist.



2. Schalten Sie, falls erforderlich, das Gerat ab und entfernen Sie Blatter oder unerwnschte Materialien.



ACHTUNG: Ein verstopfter Lufteinlass verringert die Blasleistung des Gerats und erhht die Betriebstemperatur des Motors. Dadurch

kann der Motor zu hei werden und versagen.

So prfen Sie den Akku und das Ladegerat

1. Untersuchen Sie den Akku auf Schaden, z. B. Risse.
2. Untersuchen Sie das Akkuladegerat auf Schaden, z. B. Risse.
3. Stellen Sie sicher, dass das Verbindungskabel des Akkuladegerats nicht beschadigt ist und dass keine Risse vorhanden sind.

So reinigen Sie das Gerat, den Akku und das Ladegerat

1. Reinigen Sie das Gerat nach jedem Gebrauch mit einem trockenen Tuch.
2. Reinigen Sie Akku und Ladegerat mit einem trockenen Tuch. Die Akkufhrungsschienen sauber halten.
3. Stellen Sie sicher, dass die Klemmen an Akku und Ladegerat sauber sind, bevor der Akku in das Ladegerat oder das Gerat gesteckt wird.

Fehlerbehebung

Anwenderschnittstelle

Anwenderschnittstelle	Mögliche Fehler	Mögliche Abhilfe
Rote Fehler-LED blinkt.	Temperaturabweichung.	Lassen Sie das Gerät abkühlen.
	Rohr- oder Lüfterabdeckung wurde entfernt.	Bringen Sie die Rohr- oder Lüfterabdeckung an.
	Akkufehler.	Ersetzen Sie das Kabel oder tauschen Sie den Akku aus.
	Es sind Servicearbeiten erforderlich.	Wenden Sie sich an Ihren Servicehändler.
Das Gerät springt nicht an.	Schmutz in Akkusteckern.	Mit Druckluft oder einer weichen Bürste reinigen.

Akku

LED-Anzeige	Mögliche Fehler	Mögliche Abhilfe
Grüne LED blinkt.	Zu geringe Akkuspannung.	Akku aufladen.
Fehler-LED blinkt.	Temperaturabweichung.	Der Akku darf nur bei Temperaturen zwischen -10°C (14°F) und 40°C (104°F) verwendet werden.
	Überspannung.	Kontrollieren Sie, ob die Netzspannung mit der auf dem Geräteschild angegebenen Spannung übereinstimmt. Siehe Typenschild des Geräts. Nehmen Sie den Akku aus dem Ladegerät.
Fehler-LED leuchtet auf.	Die Zellendifferenz ist zu groß (1 V).	Den Servicehändler kontaktieren.

Akkuladegerät

Status	Mögliche Fehler	Mögliches Verfahren
Die Lade-LED leuchtet rot.	Dauerhafter Ladegerätfehler.	Wenden Sie sich an Ihren Händler.

Status	Mögliche Fehler	Mögliches Verfahren
Die Lade-LED blinkt grün.	Temperaturabweichung, der Akku ist zu kalt oder zu heiß zum Laden.	Lassen Sie den Akku abkühlen, oder erwärmen Sie ihn. Wenn der Akku die richtige Temperatur hat, kann er wieder verwendet oder aufgeladen werden. Das Akkuladegerät darf nur bei Umgebungstemperaturen zwischen 5 °C und 40 °C verwendet werden.
Die Lade-LED blinkt rot.	Akku defekt	Wenden Sie sich an Ihren Händler.

Transport, Lagerung und Entsorgung

Transport und Lagerung

- Die mitgelieferten Lithium-Ionen-Akkus entsprechen den Anforderungen des Gefahrgutrechts.
- Beachten Sie für den gewerblichen Transport, auch durch Dritte oder Speditionen, die gesonderten Anforderungen auf Verpackung und Etiketten.
- Sprechen Sie sich vor dem Versand des Geräts mit einer Person ab, die speziell im Gefahrgutversand geschult ist. Beachten Sie sämtliche geltenden nationalen Vorschriften.
- Bedecken Sie offene Kontakte mit Klebeband, wenn Sie den Akku in eine Verpackung legen. Stellen Sie sicher, dass der Akku in der Verpackung nicht verrutschen kann.
- Lassen Sie das Gerät vor der Lagerung stets abkühlen.
- Entnehmen Sie den Akku für die Lagerung oder den Transport.
- Bringen Sie den Akku und das Ladegerät an einem Ort unter, der trocken und frei von Feuchtigkeit und Frost ist.
- Lagern Sie den Akku nicht an einem Ort, an dem es zu elektrostatischen Entladungen kommen kann. Bewahren Sie den Akku nicht in einem Metallkasten auf.
- Stellen Sie bei der Lagerung des Akkus sicher, dass die Temperatur zwischen 5 °C/41 °F und 25 °C/77 °F liegt und der Akku keinem direkten Sonnenlicht ausgesetzt ist.
- Stellen Sie bei der Lagerung des Akkuladegeräts sicher, dass die Temperatur zwischen 5 °C/41 °F und 45 °C/113 °F liegt und das Ladegerät keinem direkten Sonnenlicht ausgesetzt ist.
- Das Ladegerät darf nur verwendet werden, wenn die Umgebungstemperatur zwischen 5 °C/41 °F und 40 °C/104 °F liegt.
- Laden Sie den Akku auf 30 bis 50 %, bevor Sie ihn über längere Zeit einlagern.
- Lagern Sie das Akkuladegerät in einem geschlossenen und trockenen Raum.

- Achten Sie bei der Lagerung darauf, dass sich der Akku nicht in unmittelbarer Nähe zum Ladegerät befindet. Kinder und andere nicht befugte Personen dürfen die Ausstattung nicht berühren. Verwahren Sie die Ausstattung in einem abschließbaren Raum.
- Reinigen Sie das Gerät und führen Sie umfassende Servicearbeiten durch, bevor Sie es längere Zeit einlagern.
- Verwenden Sie für das Gerät einen Transportschutz, um Verletzungen oder Schäden am Gerät bei Transport und Lagerung zu vermeiden.
- Befestigen Sie das Gerät während des Transports sicher.

Entsorgung von Akku, Ladegerät und Gerät

Das Symbol unten bedeutet, dass das Gerät nicht über den Hausmüll entsorgt werden darf. Recyceln Sie es an einer Recyclingstation für elektrische und elektronische Geräte. So werden Umwelt- und Personenschäden vermieden.

Weitere Informationen erhalten Sie bei örtlichen Behörden, dem Abfallentsorgungsunternehmen oder Ihrem Händler.



Hinweis: Das Symbol ist auf dem Gerät oder der Verpackung des Geräts zu finden.

Entsorgen von Elektro- und Elektronik-Altgeräten

Gilt nur für Deutschland



Die durchgestrichene Abfalltonne weist darauf hin, dass Sie gesetzlich verpflichtet sind, dieses Gerät getrennt vom sortierten Siedlungsabfall zu entsorgen. Die Entsorgung im Restmüll oder im gelben Sack ist verboten. Wenn das Produkt Einwegbatterien oder Akkus enthält, die nicht dauerhaft installiert sind, müssen diese vor der Entsorgung des Produkts entfernt und separat als Batterien bzw. Akkus entsorgt werden.

Entfernen von Batterien, Akkus und Leuchtmitteln:

Batterien, Akkus oder Leuchtmittel, die aus dem Produkt entfernt werden können, ohne es zu beschädigen, müssen vor der Entsorgung entfernt und separat als Batterien, Akkus oder Leuchtmittel entsorgt werden. Die folgenden Batterien oder Akkus sind in diesem Produkt enthalten:

- **Akkutyp:** Li-ion
- **Chemie:** Lithium

Informationen zur Rückgabe von Elektro- und Elektronik-Altgeräten für Privathaushalte:

Wie im Folgenden näher beschrieben, sind bestimmte Vertrieber verpflichtet, Elektro- und Elektronik-Altgeräte kostenlos zurückzunehmen.

Vertreiber von Elektro- und Elektronikgeräten mit einer Verkaufsfläche von mindestens 400 m² und Lebensmittelhändler mit einer Gesamtverkaufsfläche von mindestens 800 m², die mehrmals im Kalenderjahr oder beständig Elektro- und Elektronikgeräte abgeben und verkaufen, sind unter den folgenden Umständen zur Rücknahme von Geräten verpflichtet:

1. Beim Verkauf eines neuen Elektro- oder Elektronikgeräts muss der Vertrieber ein Altgerät desselben Gerätetyps kostenlos zurücknehmen, das im Wesentlichen die gleichen Funktionen wie das neue Gerät bereitstellt. Dies muss an dem Standort, an dem das Gerät abgegeben wird, oder in unmittelbarer Nähe geschehen. Privathaushalte gelten auch als der Ort, an dem das Gerät abgegeben wird, sofern das Produkt dorthin geliefert wird: In diesem Fall werden Altgeräte ohne Kosten für den Endbenutzer abgeholt.
2. Der Vertrieber muss Altgeräte mit einem Durchmesser von weniger als 25 cm auf Wunsch

des Endbenutzers an der Verkaufsstelle oder in unmittelbarer Nähe zurücknehmen. Diese Rückgabe muss nicht mit dem Kauf von Elektro- oder Elektronikgeräten in Verbindung stehen und ist auf drei Altgeräte pro Gerätetyp beschränkt.

Bei Abschluss des Kaufvertrags für ein neues Elektro- oder Elektronikgerät muss der Vertrieber den Endbenutzer über sein Recht informieren, das Altgerät zurückzugeben oder kostenlos abholen zu lassen, und den Endbenutzer fragen, ob er beabsichtigt, ein Altgerät bei der Lieferung des neuen Geräts zurückzugeben.

Dies gilt auch für den Vertrieb über Telekommunikation, wenn die Lager- und Versandfläche für Elektro- und Elektronikgeräte mindestens 400 m² beträgt oder wenn die gesamte Lager- und Versandfläche mindestens 800 m² beträgt, wobei die kostenlose Abholung von Elektro- oder Elektronikgeräten auf die folgenden Kategorien beschränkt ist:

- 1 (Wärmeüberträger)
- 2 (Geräte mit Displays) und
- 4 (große Geräte mit mindestens einer äußeren Abmessung von mehr als 50 cm)

Für alle anderen Elektro- und Elektronikgeräten muss der Vertrieber entsprechende Rücknahmestellen in angemessener Nähe zum Endverbraucher sicherstellen. Dies gilt auch für Altgeräte, bei denen keine äußere Abmessung 25 cm überschreitet, die der Endbenutzer zurückgeben möchte, ohne ein neues Gerät zu erwerben.

Datenschutz

Alle Endbenutzer von Elektro- und Elektronik-Altgeräten sind dafür verantwortlich, alle personenbezogenen Daten von den zu entsorgenden Elektro- und Elektronik-Altgeräten zu löschen.

WEEE-Registrierungsnummer

Husqvarna 10168717

Sammlungs- und Verwertungsraten

Gemäß der WEEE-Richtlinie sind die EU-Mitgliedstaaten verpflichtet, Daten über Elektro- und Elektronik-Altgeräte zu sammeln und diese Daten an die Europäische Kommission zu übermitteln. Weitere Informationen hierzu finden Sie auf der BMUV-Website: <https://www.bmuv.de/themen/wasser-ressourcen-abfall/kreislaufwirtschaft/statistiken/elektro-und-elektronikaltgeraete>

Technische Angaben

Technische Daten

	120iBV
Motor	
Motortyp	BLDC (bürstenlos) 36 V
Gewicht	
Gewicht ohne Akku, kg	4,6
Geräuschemissionen ¹³	
Schallleistungspegel, gemessen dB (A)	97
Schallleistungspegel, garantiert L _{WA} dB (A)	100
Schallpegel ¹⁴	
Äquivalenter Schalldruckpegel am Ohr des Bedieners, gemessen gemäß EN/ISO 11203 und ISO 22868, dB(A):	84
Vibrationspegel ¹⁵	
Vibrationspegel am vorderen/hinteren Handgriff, gemessen nach ISO 22867, m/s ²	1,4/1,7
Gebläseleistung	
Luftstrahl im Normalmodus mit Standarddüse, m ³ /min	6,7
Maximale Luftgeschwindigkeit im Normalmodus mit Standarddüse, m/s / mph	50/111

Schall- und Vibrationsdaten werden auf der Grundlage der maximalen Geschwindigkeit ermittelt.

Zugelassene Akkus

Verwenden Sie für dieses Gerät nur originale Husqvarna 40-B Akkus.

Zugelassene Akkus

Akku	40-B140
Typ	Lithium-Ionen
Akkukapazität, Ah	4

¹³ Umweltbelastende Geräuschemissionen, gemessen als Schalleistung (L_{WA}) gemäß EG-Richtlinie 2000/14/EG. Der aufgezeichnete Schallleistungspegel für das Gerät wurde unter Verwendung der originalen Schneidausrüstung mit dem höchsten Pegel gemessen. Der Unterschied zwischen garantiertem und gemessenem Schalleistungspegel besteht darin, dass beim garantierten Schalleistungspegel auch eine Streuung im Messergebnis und Variationen zwischen verschiedenen Geräten desselben Modells gemäß der Richtlinie 2000/14/EG berücksichtigt werden.

¹⁴ Berichten zufolge liegt der Schalldruckpegel für dieses Gerät normalerweise bei einer Ausbreitungsklasse (Standardabweichung) von 3 dB(A).

¹⁵ Berichten zufolge liegt der Vibrationspegel normalerweise bei einer Ausbreitungsklasse (Standardabweichung) von 1,5 m/s².

Akku	40-B140
Nennspannung, V	36
Gewicht, kg	1,25

Zugelassene Ladegeräte

Akkuladegerät	40-C80
Netzspannung, V	100-240
Frequenz, Hz	50-60
Leistung, W	72
Ausgangsspannung, V DC/ Ampere, A	43/1,6

Konformitätserklärung

EU-Konformitätserklärung

Die **Husqvarna AB**, SE-561 82 Huskvarna, Schweden,
Tel.: +46-36-146500, erklärt in alleiniger Verantwortung,
dass das Gerät:

Beschreibung	Handgeführtes Laubblas-/Laubsauggerät
Marke	Husqvarna
Typ/Modell	120iBV
Identifizierung	Seriennummern ab 2022

die folgenden EU-Richtlinien und -Verordnungen erfüllt:

Verordnung	Beschreibung
2006/42/EG	„Maschinenrichtlinie“
2014/30/EU	„EMV-Richtlinie“
2011/65/EU	„zur Beschränkung der Verwendung bestimmter gefährlicher Stoffe in Elektro- und Elektronikgeräten“
2000/14/EG	„über umweltbelastende Geräuschemissionen von zur Verwendung im Freien vorgesehenen Geräten und Maschinen“

und dass die folgenden Normen und/
oder technischen Daten angewendet werden:
EN 60335-1:2012+A11+A13+A1+A14+A2+A15, EN
50636-2-100:2014, EN IEC 63000:2018, EN ISO
12100:2010, EN IEC 55014-1:2021; EN IEC
55014-2:2021

Gemäß Richtlinie 2000/14/EG, Anhang V, siehe
Technische Angaben auf Seite 95 für die angegebenen
Schallwerte.

Huskvarna, 2023-01-16



Claes Losdal, R&D Manager, Husqvarna AB

Verantwortlich für die technische Dokumentation

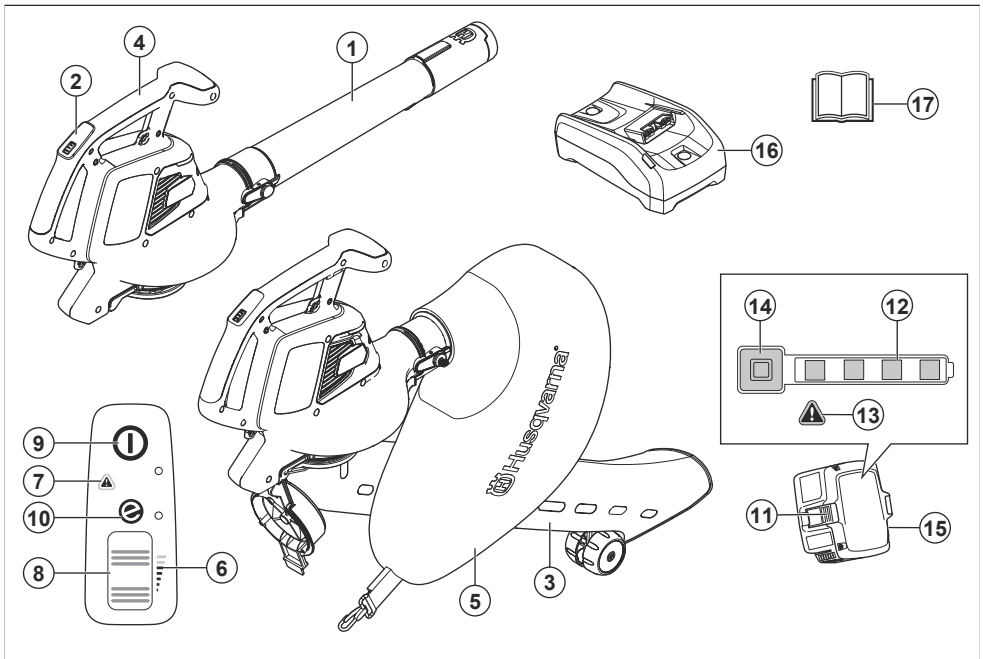


Sommaire

Introduction.....	98	Dépannage.....	112
Sécurité.....	100	Transport, entreposage et mise au rebut.....	113
Montage.....	105	Caractéristiques techniques.....	114
Utilisation.....	107	Déclaration de conformité.....	116
Entretien.....	110		

Introduction

Aperçu du produit



- | | |
|---|---|
| 1. Tube de soufflage | 14. Témoin de puissance et d'avertissement |
| 2. Clavier | 15. Batterie, incluse dans le kit de souffleur Husqvarna 120iBV uniquement |
| 3. Tube d'aspiration | 16. Chargeur de batterie, inclus dans le kit de souffleur Husqvarna 120iBV uniquement |
| 4. Poignée | 17. Manuel d'utilisation |
| 5. Sac de ramassage | |
| 6. Témoin de débit d'air | |
| 7. Témoin d'avertissement (LED d'erreur) | |
| 8. Molette de mode | |
| 9. Bouton marche/arrêt | |
| 10. Indicateur SavE | |
| 11. Bouton de libération de la batterie | |
| 12. État de la batterie | |
| 13. Témoin d'avertissement (LED d'erreur) | |

Description du produit

L'Husqvarna 120iBV est un modèle d'aspirateur-souffleur équipé d'un moteur électrique.

Nous travaillons continuellement au développement de nos produits et nous réservons le droit d'en modifier, entre autres, la conception et l'aspect sans préavis.

Utilisation prévue

Mode souffleur : le souffleur permet d'éliminer la poussière ou les résidus d'herbe des allées, des cours et d'autres lieux extérieurs. Il est également conçu pour souffler l'herbe coupée, la paille ou les feuilles afin de créer des tas, ou pour éliminer la poussière accumulée dans les recoins, les joints ou les espaces entre les dalles ou les briques.

Mode aspirateur : l'aspirateur permet d'aspirer les déchets secs, notamment les feuilles, l'herbe, les brindilles et les morceaux de papier.

Symboles concernant le produit



AVERTISSEMENT : ce produit peut être dangereux et causer des blessures graves, voire mortelles, au conducteur ou à d'autres personnes. soyez prudent et utilisez le produit correctement.



Lisez le manuel d'utilisation et assurez-vous de bien comprendre les instructions avant d'utiliser ce produit.



Utilisez des protections pour les yeux homologués.

V

Tension nominale, V



Courant continu.



Étiquette relative aux émissions sonores dans l'environnement selon les directives et réglementations européennes et du Royaume-Uni et la législation de la Nouvelle-Galles du Sud « Protection of the Environment Operations (Noise Control) Regulation 2017 ». Le niveau de puissance sonore garanti du produit est spécifié à la section *Caractéristiques techniques à la page 114* et sur l'étiquette.



Débranchez la batterie avant l'entretien.



Le produit ou son emballage ne font pas partie des ordures ménagères. Déposez-le dans une station de recyclage pour équipements électriques et électroniques.



Le produit est conforme aux directives CE en vigueur.



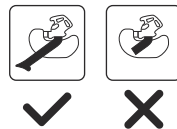
Ce produit est conforme aux directives en vigueur au Royaume-Uni.



Ne les exposez pas à la pluie.



Attendez que les lames du rotor s'immobilisent après avoir éteint le produit.



N'utilisez le produit en mode aspirateur que lorsque le tube est complètement assemblé.



L'opérateur du souffleur doit veiller à ce qu'aucune personne ou aucun animal ne se trouve à moins de 15 mètres. Lorsque plusieurs opérateurs partagent le même lieu de travail, la distance de sécurité doit être de 15 mètres au minimum. Le souffleur peut projeter violemment des objets pouvant ricocher. Ceci peut provoquer de graves blessures aux yeux si l'équipement de protection personnelle recommandé n'est pas utilisé.



yyyy wwxxxx

La plaque signalétique indique le numéro de série. **yyyy** désigne l'année de production et **ww** désigne la semaine de production.

Remarque: Les autres symboles/autocollants présents sur l'accessoire concernent des exigences de certification spécifiques à certains marchés.

Symboles sur la batterie et/ou son chargeur



Déposez ce produit dans une station de recyclage pour équipements électriques et électroniques. (Concerne seulement l'Europe)



Transformateur à sécurité intégrée.



Utilisez et stockez le chargeur de batterie en intérieur uniquement.



Double isolation.

Fabricant

Husqvarna AB

Drottninggatan 2, SE-561 82 Huskvarna

Endommagement du produit

Nous ne sommes pas responsables des dommages subis par le produit si :

- le produit n'est pas correctement réparé ;
- le produit est réparé avec des pièces qui ne proviennent pas du fabricant ou qui ne sont pas homologuées par le fabricant ;
- le produit est équipé d'un accessoire qui ne provient pas du fabricant ou qui n'est pas homologué par le fabricant ;
- le produit n'est pas réparé par un centre d'entretien agréé ou par une autorité homologuée.

Sécurité

Définitions de sécurité

Des avertissements, des recommandations et des remarques sont utilisés pour souligner des parties spécialement importantes du manuel d'utilisation.



AVERTISSEMENT: Symbole utilisé en cas de risque de blessures ou de mort pour l'opérateur ou les personnes à proximité si les instructions du manuel ne sont pas respectées.



REMARQUE: Symbole utilisé en cas de risque de dommages pour le produit et/ou l'accessoire, d'autres matériaux ou les environs si les instructions du manuel ne sont pas respectées.

Remarque: Symbole utilisé pour donner des informations supplémentaires pour une situation donnée.

Instructions générales de sécurité



AVERTISSEMENT: lisez les instructions qui suivent avant d'utiliser le produit.

- Lisez attentivement les instructions pour vous familiariser avec les commandes et l'utilisation correcte de la machine. Un produit utilisé de manière imprudente ou inadéquate peut devenir un outil dangereux susceptible de causer des blessures graves, voire mortelles, à l'opérateur et aux autres personnes présentes.

- Ne modifiez jamais le produit sans l'autorisation du fabricant. N'utilisez jamais un produit qui a été modifié au point de ne plus être conforme aux spécifications d'origine et utilisez toujours des accessoires d'origine. Des modifications non autorisées et/ou l'emploi d'accessoires non homologués peuvent provoquer des accidents graves, voire mortels, à l'utilisateur ou d'autres personnes. Il est possible que votre garantie ne couvre pas les responsabilités ou dommages associés à l'utilisation d'accessoires ou de pièces de rechange non autorisés.
- Ce produit génère un champ électromagnétique durant son fonctionnement. Ce champ peut dans certaines circonstances perturber le fonctionnement d'implants médicaux actifs ou passifs. Pour réduire le risque de blessures graves ou mortelles, les personnes portant des implants médicaux doivent consulter leur médecin et le fabricant de leur implant avant d'utiliser cet appareil.
- Retirez la batterie du produit avant la charge.

Consignes générales de sécurité relatives à l'outil à moteur

Contrôles avant la mise en marche

- Inspecter la zone de travail. Retirez tous les objets tels que les pierres, les morceaux de verre, les clous, les fils de fer, les bouts de ficelle, etc. pouvant être projetés.
- Retirez toujours la batterie afin d'éviter tout démarrage accidentel de la machine. Débranchez toujours la batterie avant toute opération d'entretien sur la machine.
- En cas d'impact, vérifiez que la machine ne présente ni signe d'usure ni dommage et procédez aux réparations éventuellement nécessaires avant de l'utiliser à nouveau.

- Utilisez uniquement les pièces de rechange d'origine.
- L'utilisateur de la machine doit s'assurer qu'aucune personne ou animal ne s'approche à moins de 15 mètres pendant le travail. Lorsque plusieurs utilisateurs travaillent dans une même zone, il convient d'observer une distance de sécurité d'au moins 15 mètres.
- Effectuez une inspection générale de la machine avant de l'utiliser, voir le Calendrier d'entretien.
- La législation nationale ou locale peut réglementer l'utilisation. Respectez la législation en vigueur.

Sécurité du personnel

- **Restez attentif, regardez ce que vous faites et ayez recours à votre bon sens lorsque vous utilisez un outil électrique. N'utilisez pas d'outil électrique si vous êtes fatigué ou si vous êtes sous l'emprise de drogues, d'alcool ou de médicaments.** Un moment d'inattention pendant l'utilisation d'outils électriques peut entraîner des blessures corporelles graves.
- Éloignez les personnes à proximité.
- Cet appareil n'est pas destiné à une utilisation par des personnes (ou des enfants) aux capacités physiques, sensorielles ou mentales limitées ou manquant d'expérience et de connaissances, sauf si elles bénéficient de la surveillance ou des instructions concernant l'utilisation de l'appareil de la part d'une personne responsable de leur sécurité. Il convient de surveiller les enfants et de les empêcher de jouer avec l'appareil.
- N'autorisez jamais des enfants ou des personnes qui ne sont pas familiarisées avec ces instructions à se servir de ce produit. Les réglementations locales peuvent limiter l'âge de l'utilisateur.
- Maintenez à distance toutes les personnes non concernées par le travail. Les enfants, les animaux, les spectateurs et les collègues de travail doivent se trouver en dehors de la zone de sécurité, soit à au moins 15 m (50 pi). Arrêtez immédiatement la machine si une personne s'approche.
- Entrez l'équipement dans un lieu verrouillable à clé de façon à ce qu'il soit inaccessible aux enfants et aux personnes non autorisées.
- Ne faites pas fonctionner la machine sur une surface pavée ou sur du gravier : d'éventuelles projections risquent de provoquer des blessures.
- Portez toujours des chaussures robustes et un pantalon long lorsque vous utilisez la machine. N'utilisez pas la machine si vous êtes pieds nus ou si vous portez des sandales. Évitez de porter des vêtements amples ou dotés de cordons ou d'attaches qui pendent.
- Ne portez pas de vêtements amples ni de bijoux qui peuvent être aspirés dans la prise d'air. N'approchez pas les cheveux longs des prises d'air.
- N'utilisez jamais la machine en cas de fatigue, de consommation d'alcool ou de prise de médicaments

susceptibles d'affecter l'acuité visuelle, le jugement ou la maîtrise du corps.

- Portez un équipement de protection individuel. Consultez les instructions au chapitre « Équipement de protection individuel ».
- Retirez toujours la batterie lorsque vous confiez la machine à un tiers.
- N'oubliez pas que c'est vous, l'opérateur, qui êtes responsable de protéger les tiers et leurs biens de tout accident ou danger.

Utilisation et entretien de la machine à usiner

- N'utilisez jamais une machine qui a été modifiée au point de ne plus être conforme au modèle original. N'utilisez jamais la machine près de matériaux explosifs ou inflammables.
- N'utilisez jamais une machine qui n'est pas en parfait état de marche. Appliquez les instructions de maintenance et d'entretien ainsi que les contrôles de sécurité indiqués dans ce manuel d'utilisation. Certaines opérations de maintenance et d'entretien doivent être réalisées par un spécialiste dûment formé et qualifié. Voir les instructions du chapitre Entretien.
- Utilisez uniquement les pièces de rechange d'origine.
- Assurez-vous toujours de l'absence de débris dans les orifices de ventilation.
- Tous les capots, toutes les protections et toutes les poignées doivent avoir été montées avant d'utiliser la machine.
- Utilisez la machine uniquement à la lumière du jour ou dans des conditions d'éclairage appropriées.
- N'utilisez jamais la machine par mauvais temps, par exemple en cas de brouillard, de pluie ou dans des endroits humides ou mouillés, en cas de vents forts, de grand froid, de risque d'orage, etc. Une chaleur extrême peut entraîner une surchauffe de la machine. Travailler par mauvais temps est fatiguant et peut créer des conditions de travail dangereuses telles que des surfaces glissantes.
- Si la machine commence à vibrer de façon anormale, arrêtez-la et déposez la batterie.
- Marchez, ne courez jamais.

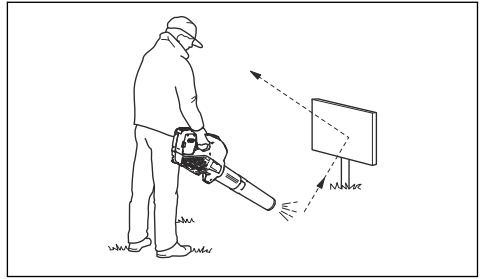
Instructions de sécurité pour le fonctionnement



AVERTISSEMENT: lisez les instructions qui suivent avant d'utiliser le produit.

- En cas de doute concernant la marche à suivre, consultez un expert. Adressez-vous à votre revendeur ou à votre atelier d'entretien. Évitez les tâches pour lesquelles vous ne vous sentez pas suffisamment qualifié.

- Assurez-vous de pouvoir vous tenir debout et vous déplacer en toute sécurité. Repérez les éventuels obstacles (racines, pierres, branches, fossés, etc.) en cas de déplacement soudain. Observez la plus grande prudence lorsque vous travaillez sur des terrains en pente.
- Soyez bien en équilibre, les pieds daplomb, à tout moment. Ne vous penchez pas trop loin.
- Soyez toujours attentif aux signaux d'avertissement ou aux cris lorsque vous portez des protège-oreilles. Enlevez toujours vos protège-oreilles dès que le produit s'arrête.
- N'utilisez pas le produit à proximité d'une fenêtre ouverte.
- Respectez le voisinage en évitant d'utiliser le produit à des heures indues, par exemple tard le soir ou tôt le matin. Respectez les réglementations et ordonnances en vigueur.
- Utilisez le produit au flux d'air le plus faible. L'utilisation du flux d'air maximal est rarement nécessaire et de nombreux travaux peuvent être effectués à demi-régime. L'utilisation d'un flux d'air plus faible limite les nuisances sonores et la production de poussière. Cela permet également de contrôler plus facilement les déchets à rassembler/déplacer.
- Dans des conditions poussiéreuses, humidifiez légèrement la surface lors de l'utilisation du produit.
- Utilisez un râteau ou un balai pour dégager les déchets enfouis dans le sol.
- Maintenez l'embout du tube de soufflage le plus près possible du sol.
- Restez attentif à votre environnement. Dirigez le produit loin des personnes, des animaux, des aires de jeux, des voitures, etc.
- Réduisez la durée de soufflage en humidifiant légèrement les zones poussiéreuses ou en utilisant un pulvérisateur.
- Tenez compte de la direction du vent. Le travail est plus facile s'il est effectué dans la direction du vent.
- Arrêtez le produit et retirez la batterie si le produit se met à vibrer de façon anormale.
- L'utilisation du souffleur pour déplacer des monticules importants de déchets prend beaucoup de temps tout en étant inutilement bruyante.
- Nettoyez une fois le travail terminé. Assurez-vous que des déchets n'ont pas été accidentellement projetés dans un jardin voisin.
- Ne courez pas avec le produit.
- Le puissant jet d'air peut déplacer des objets à une telle vitesse qu'ils peuvent, en cas de ricochet, causer de graves blessures aux yeux.



- Ne dirigez jamais le flux d'air vers des personnes ou des animaux.
- Arrêtez le moteur avant d'installer ou de retirer les accessoires ou d'autres composants.
- Maintenez toutes les parties de votre corps à distance des surfaces chaudes.
- Ne posez jamais le produit au sol lorsqu'il est en marche, sauf si vous pouvez le surveiller.
- Arrêtez le produit et retirez la batterie. Assurez-vous que toutes les pièces en mouvement sont totalement à l'arrêt :
 - à chaque fois que vous laissez la machine sur place ;
 - avant d'éliminer des obstructions ou de dégager une goulotte ;
 - avant de procéder au contrôle, au nettoyage ou à une intervention sur la machine.
- Coupez immédiatement la source d'alimentation et laissez la machine s'arrêter complètement si le mécanisme de coupe heurte des corps étrangers ou si la machine se met à vibrer ou à émettre des bruits inhabituels. Retirez la batterie de la machine et suivez les étapes ci-après avant de redémarrer et de réutiliser la machine :
 - vérifiez l'absence de dommages ;
 - remplacez ou réparez les pièces endommagées ;
 - identifiez toute pièce desserrée et resserrez-la.
- En cas d'obstruction, coupez l'alimentation et retirez la batterie de la machine avant d'éliminer les matériaux indésirables.
- Ne transportez pas la machine lorsqu'elle est sous tension.
- N'inclinez pas la machine lorsqu'elle est sous tension.

- Le souffleur ne doit pas être utilisé sur des échelles ou des échafaudages.



- N'utilisez pas le produit s'il n'est pas possible d'appeler au secours en cas d'accident.
- Attention aux objets projetés. Des cailloux, débris et autres peuvent être projetés dans les yeux et causer des blessures très graves, voire la cécité.
- Utilisez un disjoncteur différentiel de fuite à la terre (RCI) pour plus de sécurité lors de la charge du produit. Un disjoncteur différentiel de fuite à la terre permet de protéger les opérateurs en cas de défaut électrique.
- Ce produit est reconnu pour ses faibles vibrations. Une exposition excessive aux vibrations peut entraîner des troubles circulatoires ou nerveux chez les personnes sujettes à des troubles cardio-vasculaires. Consultez un médecin en cas de symptômes liés à une exposition excessive aux vibrations. Voici les symptômes possibles : engourdissement, perte de sensibilité, chatouillements, picotements, douleur, faiblesse musculaire, décoloration ou modification épidermique. Ces symptômes affectent généralement les doigts, les mains ou les poignets.
- Utilisez le produit uniquement pour les travaux auxquels il est destiné.
- Il est impossible de prévoir toutes les situations que vous pouvez rencontrer. Soyez toujours prudent et utilisez votre bon sens. Évitez les situations que vous n'êtes pas sûr de maîtriser. Si, après avoir lu ces instructions, vous n'êtes toujours pas sûr de la procédure à suivre, demandez conseil à un expert avant de poursuivre.

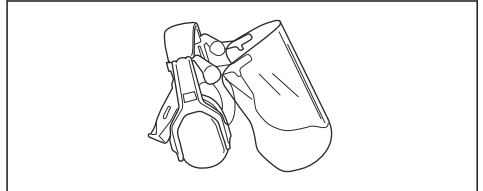
Équipement de protection individuel



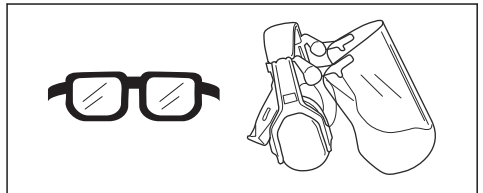
AVERTISSEMENT: lisez les instructions qui suivent avant d'utiliser le produit.

- Portez toujours un équipement de protection individuel homologué lorsque vous utilisez le produit. L'équipement de protection individuel ne protège pas complètement des blessures, mais il diminue la gravité des blessures en cas d'accident. Faites appel à votre revendeur pour vous aider à sélectionner l'équipement adéquat.

- Une exposition prolongée au bruit risque de causer des lésions auditives. En règle générale, les produits alimentés par batterie sont relativement silencieux, mais peuvent s'avérer dangereux si le bruit s'accompagne d'une utilisation prolongée. recommande aux utilisateurs de porter des protège-oreilles lorsque le temps d'utilisation total est supérieur à une journée. Les utilisateurs réguliers doivent contrôler fréquemment leur audition. Veuillez noter que les protège-oreilles limitent la capacité à entendre les sons et les signaux d'avertissement.



- Utilisez des protections pour les yeux homologuées. L'usage d'une visière doit toujours s'accompagner du port de lunettes de protection homologuées. Les lunettes de protection doivent être conformes aux normes ANSI Z87.1 (États-Unis) ou EN 166 (pays de l'UE).



- Portez des vêtements fabriqués dans un matériau résistant. Portez toujours des pantalons longs, épais et des manches longues. Ne portez pas de vêtements amples qui risqueraient de se prendre dans les brindilles et les branches. Ne portez pas de bijoux, de shorts, de sandales et ne marchez pas pieds nus. Attachez vos cheveux de façon sécurisée au-dessus de vos épaules.
- Gardez toujours une trousse de premiers soins à portée de main.



- Utilisez une protection respiratoire dans les environnements poussiéreux.

Dispositifs de sécurité sur le produit

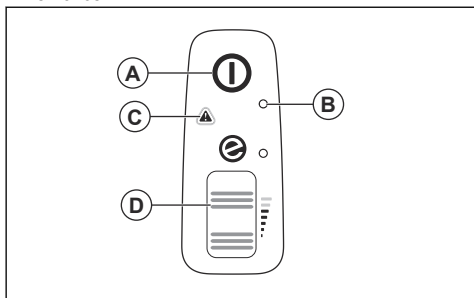


AVERTISSEMENT: lisez les instructions qui suivent avant d'utiliser le produit.

- Cette section présente les fonctions de sécurité, les instructions d'utilisation, de contrôle et d'entretien du produit afin de garantir son bon fonctionnement. Reportez-vous aux instructions ci-dessous *Aperçu du produit à la page 98* pour trouver l'emplacement de ces pièces sur votre produit.
- La durée de vie du produit risque d'être écourtée et le risque d'accidents accru si l'entretien du produit n'est pas effectué correctement et si les mesures d'entretien et/ou de réparation ne sont pas effectuées de manière professionnelle. Pour plus d'informations, contactez l'atelier de réparation du revendeur le plus proche.
- N'utilisez jamais un produit dont les équipements de sécurité sont défectueux. Contrôlez et entretenez les équipements de sécurité du produit conformément aux instructions données dans ce chapitre. Si les contrôles du produit ne donnent pas de résultat positif, contactez votre atelier spécialisé pour le faire réparer.
- L'entretien et la réparation du produit exigent une formation spéciale. Cela concerne particulièrement l'équipement de sécurité du produit. Si les contrôles suivants ne donnent pas un résultat positif, adressez-vous à un atelier spécialisé. L'achat de l'un de nos produits offre à l'acheteur la garantie d'un service et de réparations qualifiés. Si le point de vente n'assure pas ce service, adressez-vous à l'atelier spécialisé le plus proche.

Pour contrôler le clavier

1. Appuyez et maintenez le bouton marche/arrêt (B) enfoncé.



- a) Le produit est sous tension lorsque la LED (B) est allumée.
 - b) Le produit est hors tension lorsque la LED (B) est éteinte.
2. Reportez-vous à la section *Interface utilisateur à la page 112* si le témoin d'avertissement (C) est allumé ou clignote.
 3. Appuyez brièvement sur la molette de mode (D) pour vous assurer qu'elle bouge librement.

Consignes de sécurité relatives à l'utilisation de la batterie



AVERTISSEMENT: lisez les instructions qui suivent avant d'utiliser le produit.

- Utilisez uniquement les batteries de la série 40-B que nous recommandons pour votre produit. Reportez-vous à la section *Batteries agréées à la page 114*. Les batteries sont codées par logiciel.
- Utilisez les batteries rechargeables de la série 40-B en tant que source d'alimentation pour les produits Husqvarna uniquement. Afin d'éviter toute blessure, n'utilisez pas la batterie comme source d'alimentation pour d'autres produits.
- Risque de choc électrique. Ne branchez pas les bornes de la batterie à des clés, des vis ou tout autre élément métallique. Cela peut provoquer un court-circuit de la batterie.
- N'utilisez pas de batteries non rechargeables.
- Ne placez pas d'objets dans les fentes d'aération de la batterie.
- Protégez la batterie des rayons directs du soleil, de la chaleur et des flammes nues. La batterie peut provoquer des brûlures et/ou des brûlures chimiques.
- Protégez la batterie de la pluie et de l'humidité.
- Protégez la batterie des micro-ondes et des hautes pressions.
- N'essayez pas de démonter ou de casser la batterie.
- Utilisez la batterie à une température comprise entre -10 °C (14 °F) et 40 °C (104 °F).
- Ne nettoyez pas la batterie ou le chargeur de batterie avec de l'eau. Reportez-vous à la section *Pour nettoyer le produit, la batterie et le chargeur de batterie à la page 111*.
- N'utilisez pas de batterie défectueuse ou endommagée.
- Conservez les batteries en stock à distance des objets métalliques, tels que les clous, les vis ou les bijoux.
- Tenez la batterie hors de portée des enfants.

Consignes de sécurité relatives au chargeur de batterie



AVERTISSEMENT: lisez les instructions qui suivent avant d'utiliser le produit.

- Risque de choc électrique ou de court-circuit si les instructions de sécurité ne sont pas respectées.
- N'utilisez pas d'autres chargeurs de batterie que celui fourni pour votre produit. Utilisez uniquement des chargeurs 40-C80 lorsque vous chargez des batteries de rechange Husqvarna 40-B140.

Reportez-vous à la section *Chargeurs de batterie homologués à la page 115* et *Batteries homologuées à la page 114*.

- N'essayez pas de démonter le chargeur de batterie.
- N'utilisez pas de chargeur de batterie défectueux ou endommagé.
- Ne soulevez pas le chargeur de batterie par le cordon d'alimentation. Pour débrancher le chargeur de batterie d'une prise de courant murale, tirez sur la fiche. Ne tirez pas le cordon d'alimentation.
- Conservez tous les câbles et toutes les rallonges loin de l'eau, de l'huile et des bords tranchants. Veillez à ce que le câble ne soit pas coincé dans des objets tels que des portes, des clôtures ou tout autre équipement similaire.
- N'utilisez pas le chargeur de batterie à proximité de matériaux inflammables ou de matériaux pouvant provoquer la formation de corrosion. Assurez-vous que le chargeur de batterie n'est pas couvert. En cas de dégagement de fumée ou de début d'incendie, débranchez aussitôt la fiche reliée au chargeur de batterie.
- Rechargez la batterie uniquement en intérieur, dans un endroit bien aéré et à l'abri de la lumière. Ne chargez pas la batterie à l'extérieur. Ne rechargez pas la batterie dans des conditions humides.
- Utilisez le chargeur de batterie à une température comprise entre 5 °C (41 °F) et 40 °C (104 °F) uniquement. Utilisez le chargeur dans un environnement bien ventilé, sec et exempt de poussière.
- Ne placez pas d'objets dans les fentes de refroidissement du chargeur de batterie.
- Ne raccordez pas les bornes du chargeur de batterie à des objets métalliques car cela peut court-circuiter le chargeur de batterie.
- Utilisez des prises de courant murales homologuées et non endommagées. Assurez-vous que le câble du

chargeur de batterie n'est pas endommagé. Si des câbles de rallonge sont utilisés, assurez-vous que ceux-ci ne sont pas endommagés.

Instructions de sécurité pour l'entretien



AVERTISSEMENT: lisez les instructions qui suivent avant d'effectuer l'entretien du produit.

- Lorsque la machine est arrêtée à des fins d'entretien, d'examen ou de remisage, ou pour changer un accessoire, laissez-la refroidir avant de procéder. Entretenez correctement la machine et gardez-la propre.
- Retirez la batterie avant tout entretien, contrôle ou assemblage du produit.
- L'utilisateur ne doit effectuer que les travaux de maintenance et d'entretien décrits dans ce manuel d'utilisation. Adressez-vous à votre atelier d'entretien pour toute opération de maintenance et d'entretien de plus grande ampleur.
- Veillez à ce que la totalité des écrous, des boulons et des vis soient correctement serrés afin de garantir une utilisation sûre.
- Remplacez les pièces usées ou endommagées.
- Un défaut d'entretien réduit le cycle de vie du produit et augmente le risque d'accidents.
- Une formation spéciale est nécessaire pour tous les travaux d'entretien et de réparation, en particulier pour les dispositifs de sécurité sur le produit. Si tous les contrôles spécifiés dans ce manuel d'utilisation ne sont pas validés après l'entretien, adressez-vous à votre atelier d'entretien. Nous garantissons la disponibilité d'un service de réparation et d'entretien professionnel pour votre produit.
- Utilisez uniquement les pièces de rechange d'origine.

Montage

Mode souffleur



AVERTISSEMENT:

Risque de coupure lorsque les lames du rotor tournent ou que le produit démarre accidentellement. Retirez la batterie et attendez que les lames du rotor s'arrêtent avant d'assembler le produit.

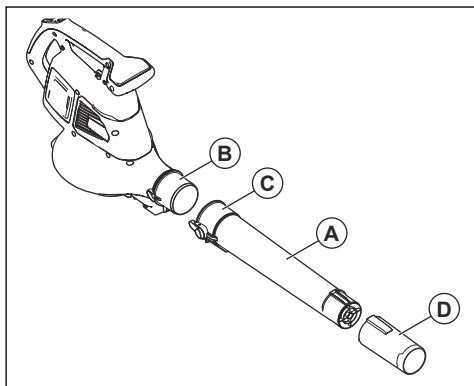


AVERTISSEMENT: Assemblez entièrement le tube de soufflage et le couvercle de la prise d'air avant d'utiliser le produit en mode souffleur.

Pour monter le tube de soufflage

Remarque: En cas d'assemblage incorrect du tube de soufflage, un interrupteur de sécurité empêche le souffleur de démarrer.

1. Poussez le tube de soufflage (A) sur la sortie du souffleur (B). Le verrouillage (C) s'enclenche dans un déclic.

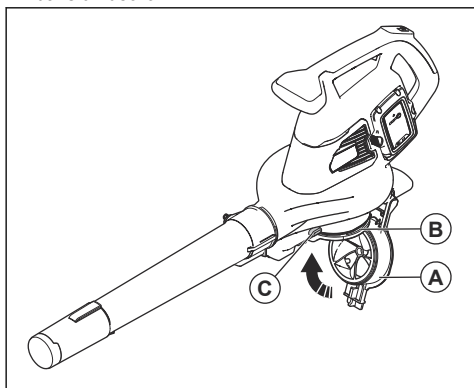


2. Installez la buse du souffleur (D) sur le tube de soufflage. La buse est en place lorsque vous entendez un déclic.

Pour monter le couvercle de la prise d'air

Remarque: En cas d'assemblage incorrect du couvercle de la prise d'air, un interrupteur de sécurité empêche le souffleur de démarrer.

- Fermez le couvercle de la prise d'air (A) sur l'entrée du souffleur (B). Le verrouillage (C) s'enclenche dans un déclic.



Mode aspirateur



AVERTISSEMENT: Assemblez entièrement le tube d'aspiration et le sac de ramassage avant d'utiliser le produit en mode aspirateur.

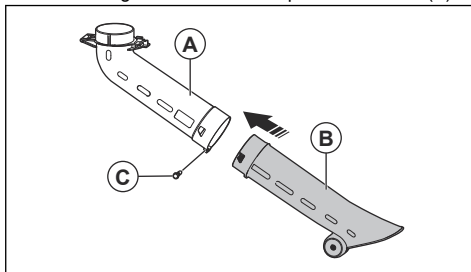
Pour monter le tube d'aspiration



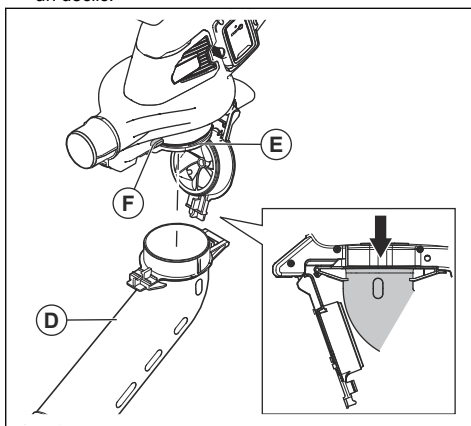
AVERTISSEMENT: Assemblez les tubes d'aspiration supérieur et inférieur avant de démarrer le produit.

Remarque: En cas d'assemblage incorrect du tube d'aspiration, un interrupteur de sécurité empêche l'aspirateur de démarrer.

1. Alignez les fentes du tube d'aspiration supérieur (A) sur les languettes du tube d'aspiration inférieur (B).



2. Poussez le tube d'aspiration inférieur sur le tube d'aspiration supérieur jusqu'à ce que vous entendiez un déclic.
3. Serrez la vis (C).
4. Installez le tube d'aspiration (D) sur l'entrée d'aspiration (E). Le verrouillage (F) s'enclenche dans un déclic.



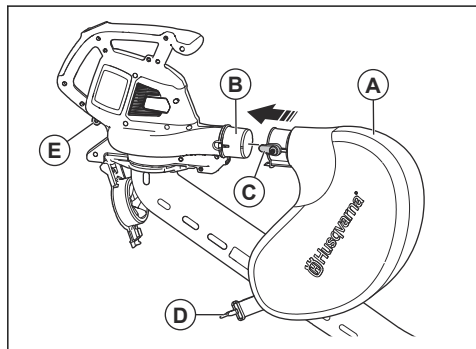
Pour installer le sac de ramassage

Remarque: En cas d'assemblage incorrect du sac de ramassage, un interrupteur de sécurité interrompt la procédure du démarrage du produit.

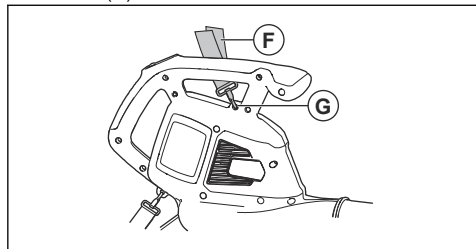


AVERTISSEMENT: Éteignez la machine avant d'attacher ou de retirer le sac.

1. Retirez le tube de soufflage s'il est installé sur le produit.
2. Poussez le sac de ramassage (A) sur la sortie de l'aspirateur (B). Le verrouillage (C) s'enclenche dans un déclic.



3. Accrochez la sangle du sac de ramassage (D) sur le dispositif de retenue (E).
4. Accrochez la bandoulière (F) sur le dispositif de retenue (G).



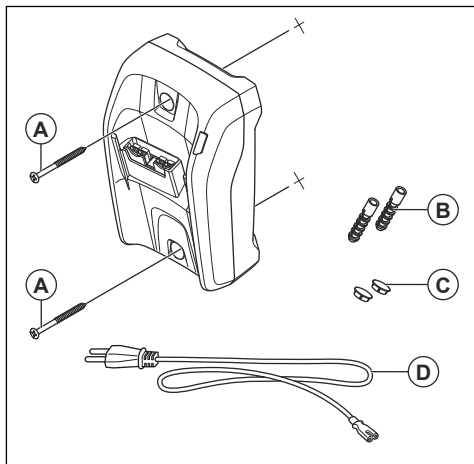
5. Assurez-vous que le sac de ramassage est complètement fermé.

Pour installer le chargeur de batterie sur un mur



REMARQUE: n'utilisez pas de tournevis électrique pour installer le chargeur de batterie sur le mur. Un tournevis électrique peut endommager le chargeur de batterie.

1. Installez le chargeur de batterie sur le mur à l'aide des 2 vis (A). Utilisez des chevilles murales (B) si nécessaire.



2. Installez les 2 capuchons de trou de vis (C).
3. Branchez le cordon d'alimentation (D) du chargeur de batterie sur une prise de courant murale.

Utilisation

Introduction



AVERTISSEMENT: Assurez-vous de lire et de comprendre le chapitre dédié à la sécurité avant d'utiliser l'appareil.

Pour effectuer un contrôle du fonctionnement avant d'utiliser le produit

1. Vérifiez que l'admission d'air ne présente ni fissures ni saletés. Utilisez une brosse et retirez l'herbe et les feuilles coincées dans le produit.
2. Contrôlez le bon fonctionnement du produit.

3. Contrôlez toutes les vis et tous les écrous et assurez-vous qu'ils sont serrés.

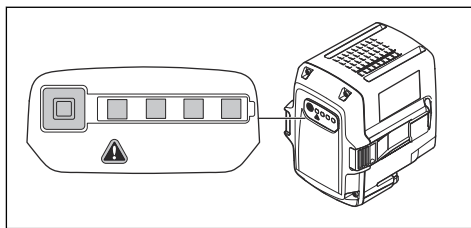
Batterie



AVERTISSEMENT: assurez-vous de lire et de comprendre le chapitre dédié à la sécurité avant d'utiliser la batterie. Assurez-vous également de lire et comprendre le manuel d'utilisation de la batterie et du chargeur de batterie.

Maintenez la batterie et le chargeur de batterie à des températures ambiantes correctes.

	Température ambiante
Fonctionnement de la batterie	5 °C-40 °C / 41 °F-104 °F
Charge de la batterie	5 °C-40 °C / 41 °F-104 °F



État de la batterie

L'écran indique l'état de charge ainsi que tout problème éventuel lié à la batterie.

Témoin LED	État de charge de la batterie
4 voyants LED sont allumés	La batterie est chargée à 76 % - 100 %.
3 voyants LED sont allumés	La batterie est chargée à 51 % - 75 %.
2 voyants LED sont allumés	La batterie est chargée à 26 % - 50 %.
1 voyant LED est allumé	La batterie est chargée à 6 % - 25 %.
1 voyant LED clignote	La batterie est chargée à 0 % - 5 %.

Pour charger la batterie

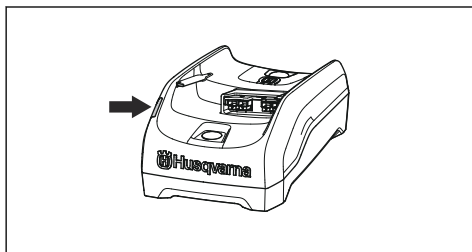
chargez la batterie si vous l'utilisez pour la première fois. Une batterie neuve n'est chargée qu'à 30 %.



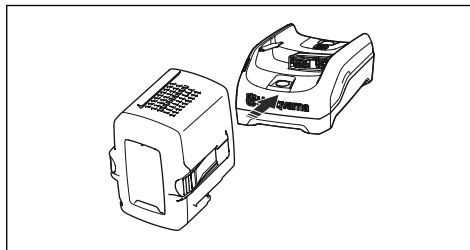
REMARQUE: branchez le chargeur de batterie sur une prise de courant à la tension et à la fréquence indiquées sur la plaque signalétique.

La batterie ne charge pas si la température de la batterie est supérieure à 50 °C/122 °F.

1. Branchez le cordon d'alimentation sur le chargeur de batterie.
2. Branchez le chargeur de batterie sur une prise de courant mise à la terre. La LED de charge clignote une fois.



3. Insérez la batterie dans le chargeur de batterie. La LED de charge s'allume. Chargez la batterie pendant 24 heures au maximum.



4. Appuyez sur le bouton d'indicateur de batterie. Si tous les témoins LED s'allument, la batterie est complètement chargée.
5. Tirez sur la prise électrique pour débrancher le chargeur de batterie de la prise de courant. Ne tirez pas le cordon d'alimentation.
6. Dégagez la batterie du chargeur de batterie.

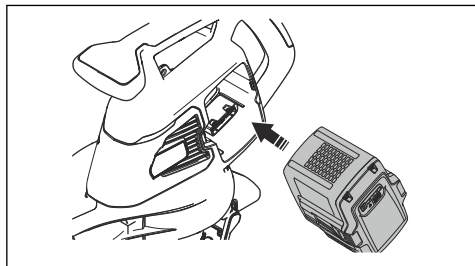
Pour fixer la batterie au produit



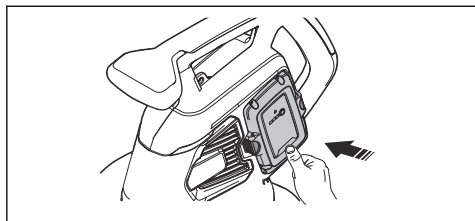
AVERTISSEMENT: Utilisez uniquement des batteries d'origine Husqvarna dans le produit.

1. Assurez-vous que la batterie est complètement chargée.

2. Faites glisser la batterie dans le support de batterie du produit. La batterie doit glisser facilement ; si ce n'est pas le cas, elle n'est pas installée correctement.

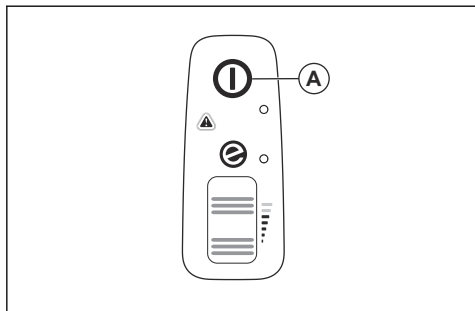


3. Appuyez sur la partie inférieure de la batterie et poussez-la complètement dans le compartiment de batterie. La batterie est bien installée dans son logement lorsque vous entendez le déclic.
4. Vérifiez que les verrous se positionnent correctement.

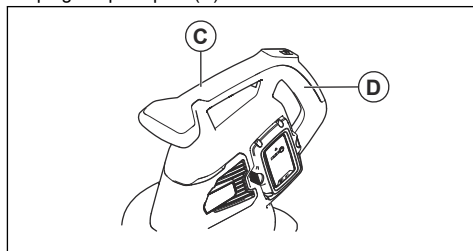


Pour démarrer le produit

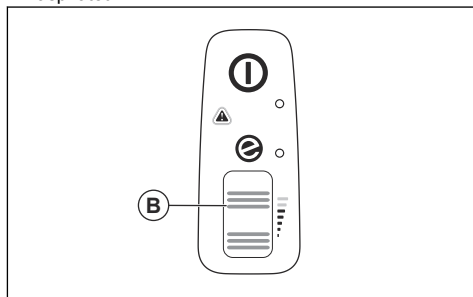
1. Appuyez sur le bouton marche/arrêt (A) et maintenez-le enfoncé jusqu'à ce que la LED verte s'allume.



2. Tenez la poignée auxiliaire (C) d'une main et la poignée principale (D) de l'autre main.

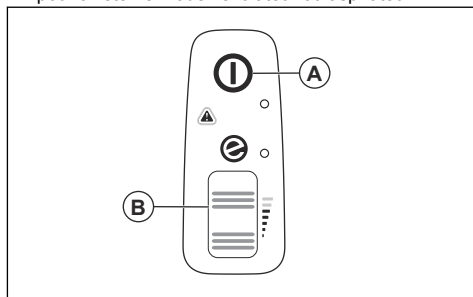


3. Faites défiler la molette de mode (B) vers le haut pour engager le mode souffleur ou le mode aspirateur.



Pour arrêter le produit

1. Faites défiler la molette de mode (B) vers le bas pour arrêter le mode ventilateur ou aspirateur.

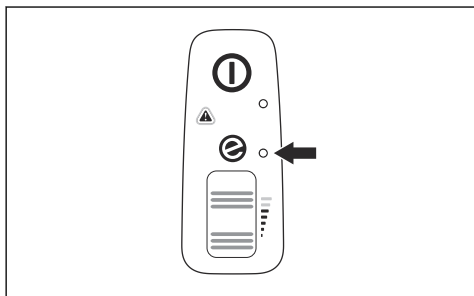


2. Appuyez sur le bouton marche/arrêt (A) et maintenez-le enfoncé jusqu'à ce que la LED verte s'éteigne.

Mode ECO

Le mode ECO prolonge la durée de vie de la batterie.

- Faites défiler la molette de mode vers le bas pour activer le mode ECO. La LED s'allume lorsque le mode ECO est activé.



- Faites défiler la molette de mode vers le haut pour activer le mode normal. La LED s'éteint lorsque le mode normal est activé.

- Arrêtez le produit.
- Retirez le sac de ramassage.
- Retournez le sac de ramassage sur lui-même et videz les déchets ramassés.
- Lavez le sac de ramassage avec un tuyau d'arrosage.
- Laissez le sac de ramassage sécher.
- Réinstallez le sac de ramassage.

Fonction d'arrêt automatique

Le produit est équipé d'une fonction d'arrêt automatique qui arrête le produit s'il n'est pas utilisé. Le produit s'éteint au bout de 1 minute.

Pour vider le sac de ramassage



AVERTISSEMENT:

Les objets pointus peuvent provoquer des blessures. Ne plongez pas les mains dans le sac de ramassage lorsque vous le videz.

Entretien

Introduction



AVERTISSEMENT: Avant d'effectuer des travaux d'entretien, vous devez lire et comprendre le chapitre sur la sécurité.

Calendrier d'entretien



AVERTISSEMENT: Retirez la batterie avant d'effectuer l'entretien.

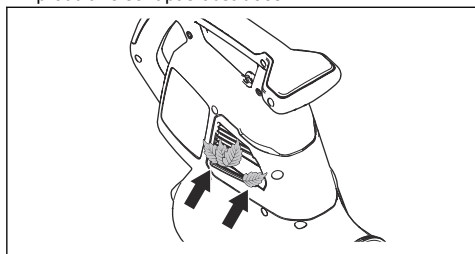
La liste ci-dessous indique les étapes d'entretien à effectuer sur le produit.

Entretien	Tous les jours	Toutes les semaines	Mensuel
Nettoyez la surface extérieure à l'aide d'un chiffon sec et propre. N'utilisez pas d'eau.	X		
Nettoyez les poignées pour qu'elles restent toujours propres, sèches et exemptes d'huile et de graisse.	X		
Assurez-vous que le bouton marche/arrêt fonctionne correctement et qu'il n'est pas endommagé.	X		
Assurez-vous que la molette de mode fonctionne correctement et qu'elle ne présente pas de défaut de sécurité.	X		
Vérifiez le serrage des écrous et des vis.	X		
Examinez la batterie afin de détecter d'éventuels dommages.	X		
	X		

Entretien	Tous les jours	Toutes les semaines	Mensuel
Vérifiez que les boutons de déverrouillage de la batterie fonctionnent correctement et que la batterie se fixe dans le produit.	X		
Examinez le chargeur de batterie afin de détecter d'éventuels dommages et assurez-vous qu'il fonctionne correctement.	X		
Contrôlez tous les raccords, les connexions et les câbles à la recherche de dommages et assurez-vous qu'ils sont exempts de saletés.		X	
Vérifiez les connexions entre la batterie et le produit, ainsi que la connexion entre la batterie et son chargeur.			X
Nettoyez les fentes laissant passer le flux d'air à l'aide d'une brosse douce (n'utilisez pas de tournevis).	X		
Retirez et nettoyez le tube de soufflage ou le tube d'aspiration.	X		
Videz et nettoyez le sac de ramassage. Reportez-vous à la section <i>Pour vider le sac de ramassage à la page 110</i> .	X		
Retirez l'herbe, les feuilles, la poussière ou tout corps étranger de la prise d'air et du couvercle de la prise d'air.	X		
Vérifiez que la turbine du ventilateur n'est pas obstruée et nettoyez-la si nécessaire à l'aide d'un objet long non tranchant.	X		

Pour contrôler la prise d'air

1. Assurez-vous que les prises d'air sur les côtés du produit ne sont pas obstruées.



2. Arrêtez le produit et retirez les feuilles ou les matériaux indésirables si nécessaire.



REMARQUE: Une prise d'air obstruée réduit la capacité de soufflage du produit et augmente la température de travail du moteur. Cela peut entraîner

une défaillance du moteur car celui-ci devient trop chaud.

Pour examiner la batterie et le chargeur de batterie

1. Examinez la batterie pour détecter tout dommage, par exemple des fissures.
2. Examinez le chargeur de batterie pour détecter tout dommage, par exemple des fissures.
3. Assurez-vous que le cordon de raccordement du chargeur de batterie n'est pas endommagé et qu'il n'est pas fissuré.

Pour nettoyer le produit, la batterie et le chargeur de batterie

1. Nettoyez le produit avec un chiffon sec après utilisation.
2. Nettoyez la batterie et le chargeur de batterie avec un chiffon sec. Veillez à maintenir les rails guides de la batterie en parfait état de propreté.
3. Assurez-vous que les bornes de la batterie et du chargeur de batterie sont propres avant d'insérer la batterie dans le chargeur ou le produit.

Dépannage

Interface utilisateur

Interface utilisateur	Défaillances possibles	Solution possible
La LED d'erreur rouge clignote.	Écart de température.	Laissez le produit refroidir.
	Le tube ou le couvercle du ventilateur n'est pas installé.	Assemblez le tube ou le couvercle du ventilateur.
	Erreur de batterie.	Remplacez la batterie ou chargez-la.
	L'entretien est nécessaire.	Contactez votre atelier d'entretien.
Le produit ne démarre pas.	Les connecteurs de batterie sont encrassés.	Nettoyez à l'aide d'air comprimé ou d'une brosse douce.

Batterie

Écran LED	Défaillances possibles	Solution possible
La LED verte clignote.	Tension de batterie faible.	Rechargez la batterie.
La LED d'erreur clignote.	Écart de température.	Utilisez la batterie à une température comprise entre -10 °C (14 °F) et 40 °C (104 °F).
	Tension trop élevée.	Assurez-vous que la tension secteur correspond à la tension du produit. Reportez-vous à la plaque signalétique sur le produit. Dégagez la batterie du chargeur de batterie.
La LED d'erreur s'allume.	Différence trop importante entre les cellules (1 V).	Contactez votre atelier d'entretien.

Chargeur de batterie

État	Défaillances possibles	Procédure possible
La LED de charge est rouge.	Erreur de chargeur de batterie permanente.	Parlez-en à votre revendeur.

État	Défaillances possibles	Procédure possible
La LED de charge clignote en vert.	Écart de température, la batterie est trop froide ou trop chaude pour être utilisée ou chargée.	Laissez la batterie refroidir ou réchauffez-la. Lorsque la température de la batterie est correcte, elle peut à nouveau être utilisée ou rechargée. Utilisez le chargeur de batterie à des températures ambiantes comprises entre 5 °C (41 °F) et 40 °C (104 °F).
La LED de charge clignote en rouge.	Batterie défectueuse	Parlez-en à votre revendeur.

Transport, entreposage et mise au rebut

Transport et stockage

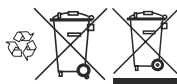
- Les batteries Li-Ion fournies respectent les exigences de la législation sur les marchandises dangereuses.
- Vous devez respecter l'exigence spécifique relative à l'emballage et aux étiquettes pour le transport commercial, y compris par des tiers et des transitaires.
- Consultez un expert en matières dangereuses avant d'expédier le produit. Respectez les lois nationales en vigueur.
- Mettez du ruban adhésif sur les contacts lorsque vous placez la batterie dans un emballage. Placez la batterie dans l'emballage de façon hermétique pour empêcher tout mouvement.
- Laissez toujours la machine refroidir avant de la remiser.
- Retirez la batterie lors du stockage ou du transport.
- Placez la batterie et le chargeur de batterie dans un endroit sec, à l'abri de l'humidité et du gel.
- Ne conservez pas la batterie dans un endroit présentant un risque d'électricité statique. Ne conservez pas la batterie dans une boîte métallique.
- Conservez la batterie dans un endroit où la température est comprise entre 5 °C (41 °F) et 25 °C (77 °F) et à l'abri de la lumière du soleil.
- Conservez le chargeur de batterie dans un endroit où la température est comprise entre 5 °C (41 °F) et 45 °C (113 °F) et à l'abri de la lumière du soleil.
- N'utilisez le chargeur de batterie que si la température ambiante est comprise entre 5 °C (41 °F) et 40 °C (104 °F).
- Chargez la batterie entre 30 % et 50 % avant de la remiser pendant des périodes prolongées.

- Conservez le chargeur de batterie dans un local fermé et sec.
- Conservez la batterie à l'écart du chargeur lors du rangement. Ne laissez pas des enfants ou d'autres personnes non autorisées toucher l'équipement. Conservez l'équipement dans un local verrouillable.
- Nettoyez le produit et effectuez un entretien complet avant de remiser le produit pendant des périodes prolongées.
- Utilisez la protection de transport du produit pour éviter les blessures et les dégâts causés au produit lors du transport et du remisage.
- Fixez le produit pour le transporter.

Mise au rebut de la batterie, du chargeur de batterie et du produit

Le symbole ci-dessous indique que le produit ne fait pas partie des déchets ménagers. Déposez-le dans une station de recyclage pour équipements électriques et électroniques. Ceci permet d'éviter les dangers pour l'environnement et les personnes.

Consultez les autorités locales, le service des ordures ménagères ou votre revendeur pour plus d'informations.



Remarque: Le symbole apparaît sur le produit ou l'emballage du produit.

Caractéristiques techniques

Caractéristiques techniques

	120iBV
Moteur	
Type de moteur	BLDC (sans balais) 36 V
Poids	
Poids sans batterie, kg	4,6
Émissions sonores ¹⁶	
Niveau de puissance acoustique mesuré, dB (A)	97
Niveau de puissance acoustique garanti L _{WA} , dB (A)	100
Niveaux sonores ¹⁷	
Pression sonore équivalente au niveau des oreilles de l'utilisateur, mesurée selon les normes EN/ISO 11203 et ISO 22868, dB(A) :	84
Niveaux de vibrations ¹⁸	
Niveau de vibrations au niveau de la poignée avant/arrière mesuré selon la norme ISO 22867 en m/s ²	1,4/1,7
Performances du ventilateur	
Débit d'air en mode normal avec buse standard, m ³ /min	6,7
Vitesse maximale de l'air en mode normal avec la buse standard, m/s / mi/h	50/111

Les données sur le son et les vibrations sont déterminées sur la base du régime maximal.

Batteries agréées

Utilisez uniquement des batteries Husqvarna d'origine 40-B pour ce produit.

Batteries homologuées

Batterie	40-B140
Type	Lithium-ion
Capacité de la batterie, Ah	4
Tension nominale, V	36

¹⁶ Émissions sonores dans l'environnement mesurées comme puissance acoustique (L_{WA}) selon la directive européenne CE 2000/14/CE. Le niveau de puissance sonore reporté pour la machine a été mesuré avec l'accessoire de coupe d'origine qui atteint le niveau le plus élevé. La différence entre le niveau de puissance sonore garanti et le niveau mesuré réside dans le fait que le niveau garanti prend également en compte la dispersion et les variations d'une machine à l'autre du même modèle, conformément à la directive 2000/14/CE.

¹⁷ Les données reportées pour le niveau de pression sonore équivalent pour la machine montrent une dispersion statistique typique (déviatoin standard) de 3 dB (A).

¹⁸ Les données reportées pour le niveau de vibrations montrent une dispersion statistique typique (déviatoin standard) de 1,5 m/s².

Batterie	40-B140
Poids, kg	1,25

Chargeurs de batterie homologués

Chargeur de batterie	40-C80
Tension secteur, V	100-240
Fréquence, Hz	50-60
Puissance, W	72
Tension de sortie, V d.c./ Ampères, A	43/1,6

Déclaration de conformité

Déclaration de conformité EU

Nous, **Husqvarna AB**, SE-561 82 Huskvarna, SUÈDE,
tél : +46-36-146500, déclarons sous notre entière
responsabilité que le produit :

Description	Aspirateur-souffleur portatif
Marque	Husqvarna
Type/Modèle	120iBV
Identification	Numéros de série de l'année 2022 et ultérieurs

est entièrement conforme à la réglementation et aux
directives de l'UE suivantes :

Réglementation	Description
2006/42/CE	« relative aux machines »
2014/30/UE	« relative à la compatibilité électromagnétique »
2011/65/UE	« relative à la limitation de l'utilisation de certaines substances dangereuses au sein d'équipements électriques et électroniques »
2000/14/CE	« relative aux émissions sonores dans l'environnement »

et que les normes et/ou les spécifications
techniques suivantes sont appliquées :
EN 60335-1:2012+A11+A13+A14+A2+A15, EN
50636-2-100:2014, EN IEC 63000:2018, EN ISO
12100:2010, EN IEC 55014-1:2021; EN IEC
55014-2:2021

Conformément à la directive 2000/14/CE, annexe V,
reportez-vous à la section *Caractéristiques techniques*
à la page 114 pour connaître les valeurs sonores
déclarées.

Huskvarna, 2023-01-16



Claes Losdal, responsable R&D, Husqvarna AB
Responsable de la documentation technique

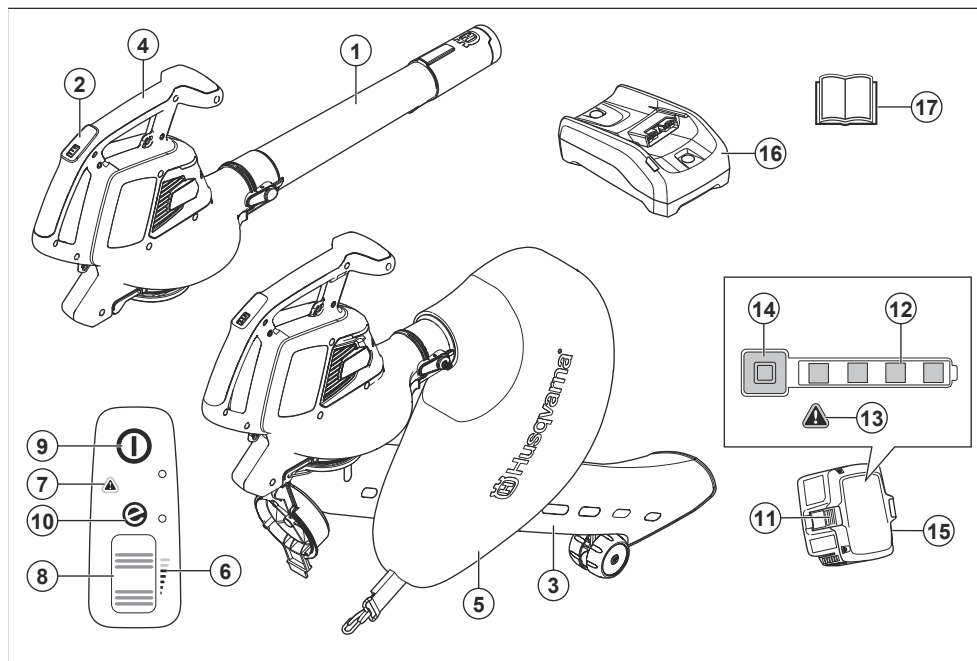


Inhoud

Inleiding.....	117	Probleemoplossing.....	130
Veiligheid.....	119	Vervoer, opslag en verwerking.....	131
Montage.....	124	Technische gegevens.....	132
Werking.....	126	Verklaring van overeenstemming.....	134
Onderhoud.....	129		

Inleiding

Productoverzicht



1. Blaaspijp
2. Toetsenbord
3. Zuigpijp
4. Handgreep
5. Opvangzak
6. Luchtstroomindicator
7. Waarschuwingindicator (fout-led)
8. Krachtwiel
9. Start/stop-knop
10. SaveE-indicator
11. Accuontgrendelknop
12. Accustatus
13. Waarschuwingindicator (fout-led)
14. Voedings- en waarschuwingslampje
15. Accu, alleen meegeleverd met de Husqvarna 120iBV-blazerset
16. Acculader, alleen meegeleverd met de Husqvarna 120iBV-blazerset
17. Bedieningshandleiding

Productbeschrijving

Husqvarna 120iBV is een tuinblazer/zuigmodel met een elektromotor.

Husqvarna AB werkt voortdurend aan het verder ontwikkelen van haar producten en behoudt zich dan ook het recht voor om zonder aankondiging vooraf

wijzigingen in o.a. de vorm en het uiterlijk door te voeren.

Gebruik

Blaasstand: De bladblazer is ontworpen om vuildeeltjes of gemaaid gras weg te blazen van paden, opritten, binnenplaatsen en dergelijke. Het is ook ontworpen voor het wegblazen van gemaaid gras, stro of bladeren om stapels te creëren of om vuildeeltjes uit hoeken, voegen of spleten tussen tegels of stenen te verwijderen.

Zuigstand: De zuiger is ontworpen voor het opzuigen van droog materiaal. Dit omvat bladeren, gras, kleine takjes en stukjes papier.

Symbolen op het product



WAARSCHUWING: Dit product kan gevaarlijk zijn en ernstig of fataal letsel toebrengen aan de gebruiker of anderen. Wees voorzichtig en gebruik het product op de juiste manier.



Lees de bedieningshandleiding goed door en zorg dat u de instructies hebt begrepen voordat u dit product gaat gebruiken.



Gebruik goedgekeurde oogbescherming.

V

Nominale spanning, V



Gelijkstroom.



Geluidsemisies naar het omgevingslabel volgens de richtlijnen en voorschriften van de EU en het VK en de wetgeving van Nieuw-Zuid-Wales "Protection of the Environment Operations (Noise Control) Regulation 2017". Het gegarandeerde geluidsvermogensniveau van het product staat vermeld in *Technische gegevens op pagina 132* en op het label.



Koppel de accu voorafgaand aan het onderhoud los.



Het product of de verpakking ervan is geen huishoudelijk afval. Lever het in bij een recyclepunt voor elektrische en elektronische apparatuur.



Het product voldoet aan de geldende EG-richtlijnen.



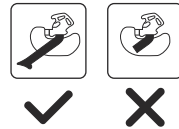
Dit product voldoet aan de geldende VK-regelgeving.



Stel het product niet bloot aan regen.



Wacht tot de rotorbladen stoppen nadat u het product hebt uitgeschakeld.



Gebruik het product alleen in vacuümmodus als de buis volledig is gemonteerd.



De gebruiker van de bladblazer dient ervoor te zorgen dat geen mensen of dieren dichterbij komen dan 15 meter. Indien meerdere gebruikers werken in hetzelfde werkgebied, is de onderlinge veiligheidsafstand min. 15 meter. De bladblazer kan voorwerpen met geweld wegslingeren, die terug kunnen kaatsen. Dit kan leiden tot ernstig oogletsel, als de aanbevolen veiligheidsuitrusting niet wordt gebruikt.



yyyy wwx0000

Het serienummer staat op het productplaatje. **yyyy** is het productiejaar, **ww** is de productieweek.

Let op: Overige op het opzetstuk aangegeven symbolen/plaatjes verwijzen naar specifieke eisen aan certificering voor bepaalde markten.

Symbolen op de accu en/of op de accuhouder.



Lever dit product in bij een recyclepunt voor elektrische en elektronische apparatuur. (Alleen geldig voor Europa)



Faalveilige transformator.



Bewaar en gebruik de acculader alleen binnen.



Dubbele isolatie.

Fabrikant

Husqvarna AB

Drottninggatan 2, SE-561 82 Huskvarna

Schade aan het product

We zijn niet verantwoordelijk voor schade aan ons product als:

- het product niet goed is gerepareerd.
- het product is gerepareerd met onderdelen die niet van de fabrikant afkomstig zijn, of onderdelen die niet zijn goedgekeurd door de fabrikant.
- het product een accessoire bevat dat niet afkomstig is van de fabrikant of niet is goedgekeurd door de fabrikant.
- het product niet is gerepareerd door een erkend servicepunt of door een erkende autoriteit.

Veiligheid

Veiligheidsdefinities

Waarschuwingen, voorzorgsmaatregelen en opmerkingen worden gebruikt om te wijzen op belangrijke delen van de gebruikershandleiding.



WAARSCHUWING: Wordt gebruikt om te wijzen op de kans op ernstig of fataal letsel voor de gebruiker of omstanders wanneer de instructies in de handleiding niet worden gevolgd.



OPGELET: Wordt gebruikt indien er een risico bestaat op schade aan het product en/of het hulpstuk, andere materialen of aan de omgeving wanneer de instructies in de handleiding niet worden gevolgd.

Let op: Geven verdere informatie die nodig is in een bepaalde situatie.

Algemene veiligheidsinstructies



WAARSCHUWING: Lees de volgende waarschuwingen voordat u het product gaat gebruiken.

- Lees de instructies zorgvuldig door om de bedieningselementen en de juiste werking van de machine te kennen. Bij onjuist of onzorgvuldig gebruik kan het product een gevaarlijk gereedschap worden, dat ernstig of zelfs fataal letsel kan veroorzaken bij de gebruiker of anderen.
- De oorspronkelijke vormgeving van het product mag in geen enkel geval worden gewijzigd zonder

toestemming van de fabrikant. Gebruik nooit een product dat zo gewijzigd is dat het niet langer overeenkomt met de originele uitvoering en gebruik altijd originele accessoires. Niet goedgekeurde wijzigingen en/of niet-originele onderdelen kunnen tot ernstig persoonlijk letsel of de dood van zowel gebruiker als omstanders leiden. Uw garantie dekt mogelijk geen schade of aansprakelijkheid als gevolg van het gebruik van niet-goedgekeurde accessoires of vervangende onderdelen.

- Dit product produceert tijdens bedrijf een elektromagnetisch veld. Dit veld kan onder bepaalde omstandigheden de werking van actieve of passieve medische implantaten verstoren. Om het risico op ernstig of fataal letsel te beperken, raden we personen met een medisch implantaat aan om contact op te nemen met hun arts en de fabrikant van het medische implantaat voordat ze dit product gaan bedienen.
- Verwijder de accu uit het product voorafgaand aan het opladen.

Algemene veiligheidswaarschuwingen voor elektrisch gereedschap

Controle voor het starten

- Controleer het werkgebied. Verwijder alle losse objecten, zoals stenen, stukjes glas, spijkers, staaldraad, touw, enzovoort die kunnen worden uitgeworpen.
- Verwijder altijd de accu om onbedoeld starten van de machine te voorkomen. Koppel altijd de accu los voordat u onderhoudswerkzaamheden aan de machine uitvoert.
- Controleer de machine voor gebruik en na vallen of stoten op tekenen van slijtage of beschadiging en repareer indien nodig.

- Gebruik alleen originele reserveonderdelen.
- De gebruiker van de machine moet erop toezien dat er tijdens het werk geen mensen of dieren dichterbij dan 15 meter bij de machine komen. Indien meerdere gebruikers in hetzelfde gebied werken, moet de veiligheidsafstand minimaal 15 meter bedragen.
- Voer voor gebruik een algemene inspectie van de machine uit; zie onderhoudsschema.
- Mogelijk zijn landelijke of lokale wettelijke voorschriften van toepassing op het gebruik. Volg de eventuele voorschriften op.

Persoonlijke veiligheid

- **Wees altijd alert, kijk wat u doet en gebruik uw gezonde verstand wanneer u elektrisch gereedschap gebruikt. Gebruik elektrisch gereedschap niet als u moe bent of onder invloed bent van drugs, alcohol of medicijnen.** Een moment van onoplettendheid tijdens het gebruik van elektrische apparaten kan leiden tot ernstig persoonlijk letsel.
- Houd omstanders uit de buurt.
- De machine is niet bedoeld voor gebruik door personen (waaronder kinderen) met fysieke, zintuiglijke of geestelijke beperkingen, of een gebrek aan kennis en ervaring, tenzij ze begeleiding bij of aanwijzingen voor het gebruik van de machine hebben ontvangen van een persoon die verantwoordelijk is voor hun veiligheid. Kinderen moeten onder toezicht worden gehouden om er zeker van te zijn dat ze niet met het apparaat spelen.
- Laat kinderen of mensen die deze gebruiksaanwijzing niet kennen, het product niet gebruiken. Er kunnen plaatselijke regels zijn met betrekking tot de minimumleeftijd voor het bedienen van dit apparaat.
- Houd onbevoegden op afstand. Kinderen, dieren, toeschouwers en medewerkers moeten zich buiten de veiligheidszone van 15 m (50 ft.) bevinden. Schakel de machine onmiddellijk uit indien iemand dichterbij komt.
- Sla de apparatuur op in een afsluitbare ruimte zodat het buiten het bereik is van kinderen en onbevoegde personen.
- Bedien de machine niet op een verhard oppervlak of grind omdat uitgeworpen materiaal daar letsel kan veroorzaken.
- Draag tijdens de bediening van machine altijd degelijke schoenen en een lange broek. Bedien de machine niet op blote voeten of met open sandalen aan. Vermijd loszittende kleding of kleding met hangende koordjes of bandjes.
- Draag geen loszittende kleding of juwelen die door de luchtinlaat opgezogen kunnen worden. Houd lang haar uit de buurt van de luchtinlaatopeningen.
- Gebruik het product nooit als u moe bent, alcohol hebt gedronken of medicijnen hebt ingenomen die uw gezichtsvermogen, beoordelingsvermogen of coördinatievermogen negatief beïnvloeden.

- Draag altijd persoonlijke beschermingsuitrusting. Zie de instructies in het hoofdstuk "Persoonlijke beschermingsuitrusting".
- Verwijder altijd de accu wanneer u de machine aan een andere persoon geeft.
- Denk erom dat het uw verantwoordelijkheid als gebruiker is om mensen en hun eigendommen niet bloot te stellen aan ongelukken of gevaar.

Gebruik en verzorging van elektrische apparaten

- Gebruik nooit een machine die zo gewijzigd is dat ze niet langer overeenkomt met de originele uitvoering. Gebruik de machine nooit in de buurt van explosieve of ontvlambare materialen.
- Gebruik nooit een machine die defect is. Voer de in deze handleiding beschreven veiligheidscontroles en de onderhouds- en service-instructies uit. Bepaalde onderhouds- en servicemaatregelen moeten door opgeleide en gekwalificeerde specialisten worden uitgevoerd. Zie de instructies in het hoofdstuk Onderhoud.
- Gebruik alleen originele reserveonderdelen.
- Zorg dat de ventilatieopeningen altijd vrij zijn van afvalmaterialen.
- Alle deksels, beschermingen en hendels moeten aangebracht zijn voor u start.
- Gebruik de machine alleen bij daglicht of onder goed verlichte omstandigheden.
- Gebruik de machine nooit bij ongunstige weersomstandigheden, bijv. bij mist, regen, in vochtige of natte omgevingen, bij harde wind, hevige koude, gevaar van blikseminslag, enz. Extreem warm weer kan oververhitting van de machine veroorzaken. Werken in slechte weersomstandigheden is vermoeiend en kan tot gevaarlijke situaties leiden, bijvoorbeeld een gladde ondergrond.
- Als de machine overmatig begint te trillen, stopt u de machine en verwijdt u de accu.
- U dient uitsluitend te lopen, nooit te rennen.

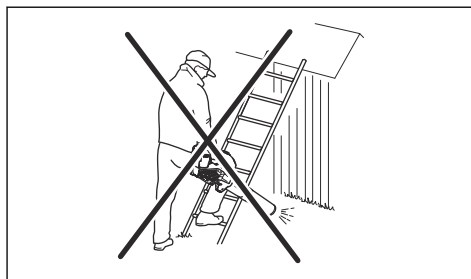
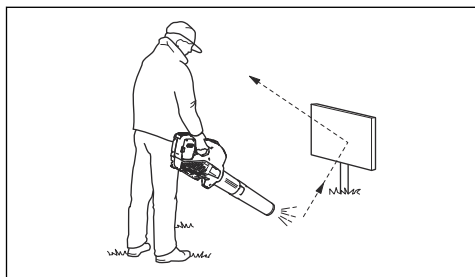
Veiligheidsinstructies voor bediening



WAARSCHUWING: Lees de volgende waarschuwingen voordat u het product gaat gebruiken.

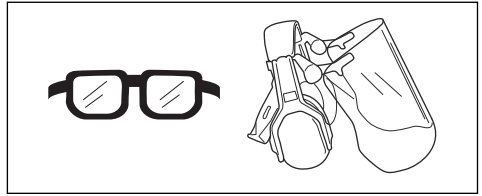
- Wanneer u in een situatie belandt waarin u niet goed weet hoe u verder te werk moet gaan, moet u een expert raadplegen. Wend u tot uw dealer of uw servicewerkplaats. Gebruik de machine nooit voor taken waarvoor u niet voldoende gekwalificeerd bent.
- Zorg ervoor dat u veilig kunt gaan en staan. Controleer of er eventuele hindernissen zijn als u onverwacht snel moet kunnen weggomen (wortels, stenen, takken, kuilen, greppels enz.). Wees extra voorzichtig wanneer u op hellend terrein werkt.

- Zorg steeds voor een goede balans en een stabiele houding. Voorkom overstrekken.
 - Let als u gehoorbescherming draagt op waarschuwingssignalen of geschreeuw. Doe uw gehoorbescherming altijd af zodra het product is gestopt.
 - Gebruik het product niet in de buurt van geopende ramen.
 - Houd rekening met de mensen in uw omgeving door het product niet te gebruiken op ongebruikelijke tijdstippen, bijvoorbeeld 's avonds laat of 's morgens vroeg. Volg de plaatselijke regelgeving en verordeningen.
 - Gebruik het product met een zo laag mogelijke luchtstroom. Het is zelden nodig om de volledige luchtstroom te gebruiken. Veel werkzaamheden kunnen met de halve luchtstroom uitgevoerd worden. Een lagere luchtstroom zorgt voor minder lawaai en minder stof. Bovendien vliegt het verzamelde/verplaatste afval dan ook niet alle kanten op.
 - Maak onder stoffige omstandigheden het oppervlak enigszins vochtig als u het product gebruikt.
 - Gebruik een hark of een bezem om het vastzittende vuil van de grond los te maken.
 - Houd de mond van de blaaspijp zo dicht mogelijk bij de grond.
 - Wees u bewust van uw omgeving. Richt het product weg van mensen, dieren, speelplaatsen en auto's enz.
 - Beperk de blaastijd tot een minimum door stoffige gebieden met behulp van sproeiapparatuur te bevochtigen.
 - Let op de windrichting. Werk met de wind mee om uw werk te vergemakkelijken.
 - Stop het product en verwijder de accu als het product abnormaal gaat trillen.
 - Het is tijdrovend om de bladblazer te gebruiken om grote bergen te verplaatsen en het creëert onnodig lawaai.
 - Ruim uw rommel op. Vergewis u ervan dat u geen vuil op het erf van iemand anders heeft geblazen.
 - Ren niet met het product.
 - De krachtige luchtstroom kan voorwerpen met zo'n snelheid verplaatsen dat ze terug kunnen stuiteren en ernstig letsel aan uw ogen kunnen veroorzaken.
- Richt de luchtstroom nooit op mensen of dieren.
 - Zet de motor uit voordat u accessoires of andere onderdelen monteert of demonteert.
 - Houd alle lichaamsdelen uit de buurt van hete oppervlakken.
 - Leg het product nooit neer terwijl het is geactiveerd, tenzij u er goed zicht op hebt.
 - Stop de machine en verwijder de accu. Controleer of alle bewegende onderdelen volledig tot stilstand zijn gekomen:
 - wanneer u de machine achterlaat;
 - voordat u verstoppingen verwijdert of de vulopening ontdoet;
 - voordat u de machine controleert, schoonmaakt of er werkzaamheden aan verricht.
 - Schakel onmiddellijk de stroombron uit en laat de machine stoppen als het maimechanisme vreemde voorwerpen raakt of als de machine ongebruikelijke geluiden of trillingen begint te maken. Koppel de accu los van de machine en voer de volgende stappen uit alvorens de machine opnieuw te starten en te gebruiken:
 - onderzoek op schade;
 - repareer of vervang beschadigde onderdelen;
 - controleer op loszittende onderdelen en zet ze vast.
 - Schakel de stroombron uit en koppel de machine los van de accu voordat u ongewenst materiaal schoonmaakt als de machine verstopt raakt.
 - Vervoer de machine niet terwijl de voedingsbron is ingeschakeld.
 - Kantel de machine niet terwijl de voedingsbron is ingeschakeld.
 - De bladblazer mag niet worden gebruikt op ladders of steigers.

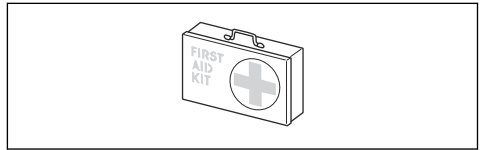


- Gebruik het product nooit zonder de mogelijkheid hulp in te roepen in geval van nood.
- Kijk uit voor wegschietende objecten. Stenen, afval, enzovoort kunnen omhoog schieten in uw ogen en blindheid of ernstig letsel veroorzaken.
- Gebruik voor een betere veiligheid een aardlekschakelaar wanneer u het product oplaadt. Er is een aardlekschakelaar aangebracht ter bescherming van gebruikers bij een eventuele elektrische storing.

- Dit product staat bekend om haar lage trilbelasting. Als men teveel wordt blootgesteld aan trillingen, kan dit tot bloedvat- en zenuwbeschadigingen leiden bij personen die een slechte bloedcirculatie hebben. Consulteer uw dokter wanneer u symptomen heeft die wijzen op te grote blootstelling aan trillingen. Voorbeelden van zulke symptomen zijn slapen, geen gevoel, 'kriebels', 'speldeprikken', pijn, geen of minder kracht, huidverkleuringen of veranderingen van het huidoppervlak. Deze symptomen komen meestal voor op vingers, handen of polsen.
- Gebruik het product alleen voor het beoogde doel.
- Het is niet mogelijk om elke mogelijke situatie te vermelden. Wees altijd voorzichtig en gebruik uw gezond verstand. Vermijd situaties die uw capaciteiten te boven gaan. Als u na het lezen van deze instructies nog vragen hebt over de bedieningsprocedures dient u een expert te raadplegen voordat u verder gaat.



- Gebruik kleding van stevige stof. Gebruik altijd een zware lange broek en lange mouwen. Gebruik geen loszittende kleding die gemakkelijk kan blijven haken aan takjes en struikgewas. Draag geen sieraden, korte broek of sandalen of loop niet op blote voeten. Bind voor de veiligheid lang haar samen tot boven schouderhoogte.
- Houd een EHBO-doos binnen handbereik.



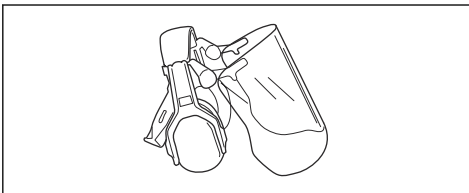
- U moet een stofmasker gebruiken als het risico van stof bestaat.

Persoonlijke beschermingsuitrusting



WAARSCHUWING: Lees de volgende waarschuwingen voordat u het product gaat gebruiken.

- Draag tijdens het gebruik van het product altijd goedgekeurde persoonlijke beschermingsuitrusting. Persoonlijke beschermingsuitrusting kunnen niet alle risico's uitsluiten maar kunnen de ernst van eventueel letsel helpen beperken. Vraag uw dealer u te helpen bij het kiezen van de juiste beschermingsmiddelen.
- Langdurige blootstelling aan lawaai kan leiden tot permanente gehoorbeschadiging. Over het algemeen zijn accu-aangedreven producten relatief stil, maar schade kan voortvloeien uit een combinatie van geluidsniveau en lang gebruik. raadt aan dat gebruikers gebruik maken van gehoorbescherming wanneer producten gedurende een groot deel van de dag worden gebruikt. Bij continu en regelmatig gebruik dienen gebruikers hun gehoor regelmatig te laten controleren. Let op: gehoorbescherming beperkt de mogelijkheid om geluiden en waarschuwingssignalen te horen.



- Gebruik goedgekeurde oogbescherming. Als u een vizier gebruikt, moet u ook een goedgekeurde veiligheidsbril gebruiken. Een goedgekeurde veiligheidsbril moet voldoen aan de norm ANSI Z87.1 voor de VS of EN 166 voor de EU-landen.

Veiligheidsvoorzieningen op het product



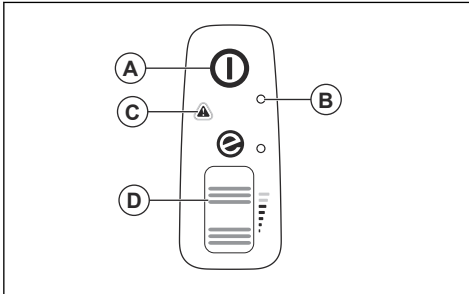
WAARSCHUWING: Lees de volgende waarschuwingen voordat u het product gaat gebruiken.

- In dit hoofdstuk worden de veiligheidsvoorzieningen van het product beschreven, welke functie ze hebben en hoe controles en onderhoud moeten worden uitgevoerd om hun goede werking te waarborgen. Zie de instructies in het hoofdstuk *Productoverzicht op pagina 117* om te zien waar deze onderdelen zich bevinden op uw product.
- De levensduur van het product kan worden verkort en het risico op ongevallen kan toenemen wanneer het onderhoud van het product niet op de juiste manier plaatsvindt en wanneer service en/of reparaties niet vakkundig worden uitgevoerd. Indien u meer informatie nodig hebt, verzoeken wij u contact op te nemen met de dichtstbijzijnde onderhoudsdealer.
- Gebruik een product nooit wanneer de veiligheidsvoorzieningen defect zijn. De veiligheidsuitrusting van het product moet geïnspecteerd en onderhouden worden zoals beschreven in dit hoofdstuk. Als uw product een van deze controles niet doorstaat, moet u contact opnemen met uw servicewerkplaats om uw unit te laten repareren.
- Om service en reparaties aan het product uit te voeren, moet u een speciale opleiding hebben. Dit geldt met name voor de veiligheidsuitrusting van het product. Als uw product een van de volgende controles niet goed doorstaat, moet u ermee naar

uw servicewerkplaats gaan. Als u één van onze producten koopt, garanderen wij de beschikbaarheid van professionele reparaties en onderhoud. Als u uw product hebt gekocht bij één van onze dealers die geen servicewerkplaats heeft, vraag dan waar de dichtstbijzijnde erkende werkplaats is.

Toetsenbord controleren

1. Houd de start/stop-knop (A) ingedrukt.



- a) Het product is ingeschakeld wanneer de led (B) brandt.
 - b) Het product is uitgeschakeld wanneer de led (B) uit is.
2. Raadpleeg *Gebruikers interface op pagina 130* als het waarschuwingslampje (C) brandt of knippert.
 3. Duw kort tegen het aandrijfwiel (D) en laat het los om te controleren dat deze vrij beweegt.

Veiligheid bij accu's



WAARSCHUWING: Lees de volgende waarschuwingen voordat u het product gaat gebruiken.

- Gebruik uitsluitend accu's uit de 40-B-serie die we voor uw product aanbevelen. Raadpleeg *Goedgekeurde accu's op pagina 133*. De accu's zijn voorzien van softwarematige encryptie.
- Gebruik de oplaadbare accu's uit de 40-B-serie uitsluitend als een voedingsbron voor de bijbehorende producten van Husqvarna. Gebruik de accu niet als voedingsbron voor andere apparaten, om letsel te voorkomen.
- Risico van elektrische schok. Breng de accuklemmen niet in contact met sleutels, schroeven of ander metaal. Dit kan kortsluiting van de accu veroorzaken.
- Gebruik geen accu's die niet oplaadbaar zijn.
- Plaats geen voorwerpen in de luchtspleten van de accu.
- Bescherm de accu tegen direct zonlicht, warmte of open vuur. De accu kan brandwonden en/of chemische brandwonden veroorzaken.
- Bescherm de accu tegen regen en vocht.

- Houd de accu uit de buurt van magnetrons en hoge druk.
- Probeer de accu niet te demonteren of te slopen.
- Gebruik de accu bij temperaturen tussen -10 °C (14 °F) en 40 °C (104 °F).
- Reinig de accu of acculader nooit met water. Raadpleeg *Product, accu en acculader reinigen op pagina 130*.
- Gebruik geen defecte of beschadigde accu.
- Sla accu's op uit de buurt van metalen voorwerpen, bijvoorbeeld spijkers, schroeven en sieraden.
- Houd de accu buiten het bereik van kinderen.

Veiligheidsvoorschriften voor acculader



WAARSCHUWING: Lees de volgende waarschuwingen voordat u het product gaat gebruiken.

- Risico van elektrische schok of kortsluiting wanneer de veiligheidsinstructies niet worden opgevolgd.
- Gebruik geen andere acculader voor de accu die bij uw product is geleverd. Gebruik uitsluitend 40-C80-laders wanneer u vervangende Husqvarna-40-B140-accu's oplaadt. Raadpleeg *Goedgekeurde acculaders op pagina 133* en *Goedgekeurde accu's op pagina 133*.
- Probeer de acculader niet te demonteren.
- Gebruik geen defecte of beschadigde acculader.
- Til de acculader niet op aan de voedingskabel. Trek aan de stekker om de acculader uit de wandcontactdoos te halen. Trek niet aan de voedingskabel.
- Houd alle kabels en verlengsnoeren uit de buurt van water, olie en scherpe kanten. Let op dat de kabel niet bekneld raakt tussen objecten zoals deuren, hekken en dergelijke.
- Gebruik de acculader niet in de buurt van brandbare materialen of materialen die corrosie kunnen veroorzaken. Controleer of de acculader niet is afgedekt. Haal de stekker van de acculader uit de wandcontactdoos bij rookontwikkeling of brand.
- De accu mag alleen binnenshuis worden opgeladen op een plek met voldoende ventilatie en zonder direct zonlicht. Laad de accu niet buiten op. Laad de accu niet op in vochtige omstandigheden.
- Gebruik de acculader alleen op plekken met een temperatuur tussen 5 °C (41 °F) en 40 °C (104 °F). Gebruik de lader in een omgeving die goed geventileerd, droog en stofvrij is.
- Plaats geen voorwerpen in de koelspleten van de acculader.
- Verbind de contacten van de acculader niet met metalen objecten, omdat dit kortsluiting in de acculader kan veroorzaken.
- Gebruik goedgekeurde stopcontacten die niet beschadigd zijn. Controleer of de kabel van de acculader niet beschadigd is. Als er verlengkabels

worden gebruikt, zorg er dan voor dat deze niet beschadigd zijn.

Veiligheidsinstructies voor onderhoud



WAARSCHUWING: Lees de volgende waarschuwingen voordat u onderhoud aan het product gaat uitvoeren.

- Laat, als de machine is gestopt voor onderhoud, inspectie of opslag of om een accessoire te verwisselen, de machine afkoelen voordat u inspecties, afstellingen etc. uitvoert. Onderhoud de machine zorgvuldig en houd deze schoon.
- Verwijder de accu voordat u onderhoud of andere controles uitvoert, of het product demonteert.
- De gebruiker mag alleen de onderhouds- en servicewerkzaamheden uitvoeren die in deze

bedieningshandleiding zijn beschreven. Ga naar uw servicedealer voor verdergaande service- of onderhoudswerkzaamheden.

- Zorg dat alle moeren, bouten en schroeven vast zijn aangedraaid, om er zeker van te zijn dat het product veilig functioneert.
- Vervang versleten of beschadigde onderdelen.
- Als u geen onderhoud uitvoert, verkort dit de levenscyclus van het product en vergroot het risico op ongevallen.
- Voor alle service en reparaties is speciale training vereist, vooral voor de veiligheidsvoorzieningen op het product. Als niet alle controles in deze bedieningshandleiding een goed resultaat geven na onderhoud, ga dan naar uw servicedealer. Wij garanderen dat u daar professionele reparaties en service voor uw product krijgt.
- Gebruik alleen originele reserveonderdelen.

Montage

Blaasmodus



WAARSCHUWING:

Er kunnen snijwonden ontstaan wanneer de rotorbladen onverwacht draaien of het apparaat onverwacht start. Verwijder de accu en wacht tot de rotorbladen zijn gestopt, voordat u het product in elkaar zet.

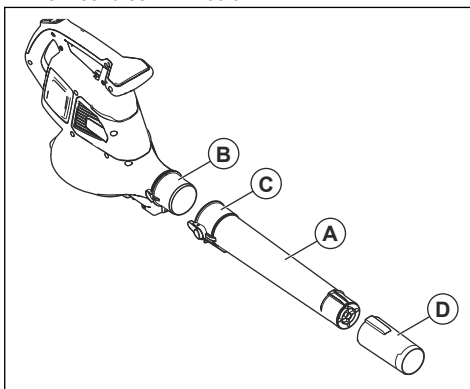


WAARSCHUWING: Monteer de blaaspijp en de afdekking van de luchtinlaat volledig, voordat u het product gebruikt in de blaasmodus.

Blaaspijp monteren

Let op: Wanneer de blaaspijp niet correct is gemonteerd, zal een veiligheidsschakelaar voorkomen dat de blazer start.

1. Duw de blaaspijp (A) op de uitlaatopening (B) van de blazer. De vergrendeling (C) wordt ingeschakeld wanneer u een klik hoort.

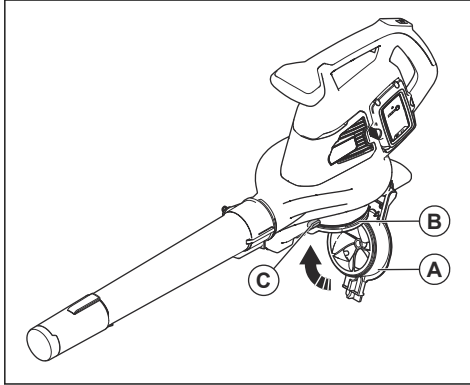


2. Installeer het blaasmondstuk (D) op de blaaspijp. Het blaasmondstuk is in positie vergrendeld als u een klik hoort.

De afdekking van de luchtinlaat monteren

Let op: Wanneer de afdekking van de luchtinlaat niet correct is gemonteerd, zal een veiligheidsschakelaar voorkomen dat de blazer start.

- Sluit de afdekking van de luchtinlaat (A) op de aanzuigopening (B) van de blazer. De vergrendeling (C) wordt ingeschakeld wanneer u een klik hoort.



Zuigmodus



WAARSCHUWING: Monteer de zuigpijp en de opvangzak volledig voordat u het product in de zuigmodus gebruikt.

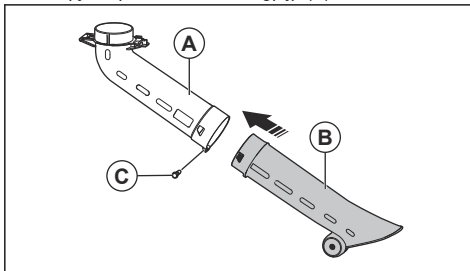
De zuigpijp monteren



WAARSCHUWING: Monteer de bovenste en onderste zuigpijpen voordat u het product start.

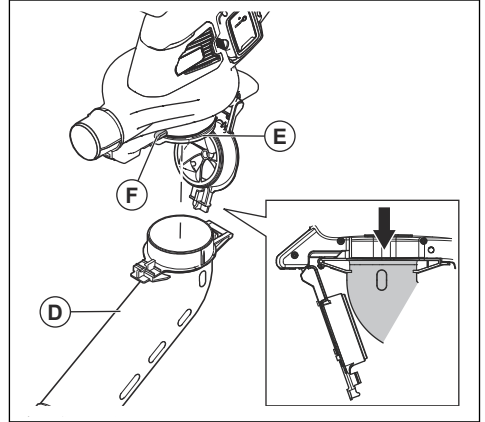
Let op: Wanneer de zuigpijp niet correct is gemonteerd, zal een veiligheidsschakelaar voorkomen dat de zuiger start.

1. Lijn de sleuven op de bovenste zuigpijp (A) uit met de lipjes op de onderste zuigpijp (B).



2. Duw de onderste zuigpijp op de bovenste zuigpijp tot u een klik hoort.
3. Draai de moer (C) vast.

4. Monteer de zuigpijp (D) op de aanzuigopening (E). De vergrendeling (F) wordt ingeschakeld wanneer u een klik hoort.



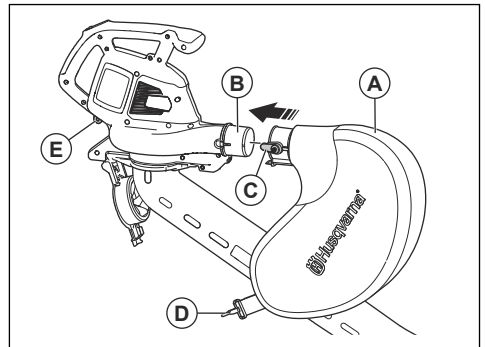
De opvangzak monteren

Let op: Wanneer de opvangzak niet correct is gemonteerd, zal een veiligheidsschakelaar de startprocedure van het product onderbreken.



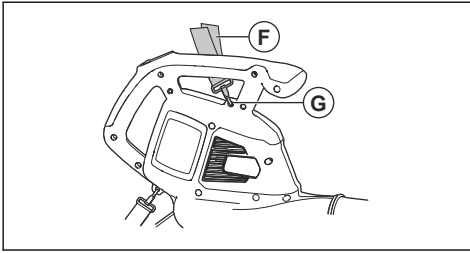
WAARSCHUWING: Stop de machine voordat u de opvangzak aansluit of verwijdert.

1. Verwijder de blaaspijp als deze op het product is gemonteerd.
2. Duw de opvangzak (A) op de uitgang (B) van de zuiger. De vergrendeling (C) wordt ingeschakeld wanneer u een klik hoort.



3. Koppel de band van de opvangzak (D) aan de houder (E).

4. Koppel de schouderband (F) aan de houder (G).



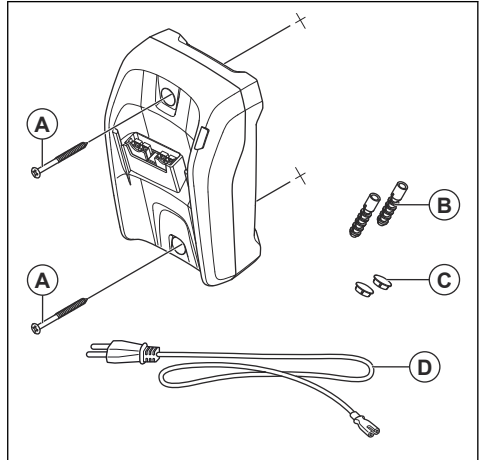
5. Controleer of de opvangzak volledig is gesloten.

De acculader aan de wand bevestigen



OPGELET: Gebruik geen elektrische schroevendraaier om de acculader aan de wand te bevestigen. Een elektrische schroevendraaier kan de acculader beschadigen.

1. Bevestig de acculader met de 2 schroeven (A) aan de wand. Gebruik wandpluggen (B) indien nodig.



2. Plaats de 2 schroefgatpluggen (C).
3. Sluit de voedingskabel (D) aan op de acculader en een stopcontact.

Werking

Inleiding



WAARSCHUWING: Zorg dat u het hoofdstuk over veiligheid hebt gelezen en begrepen voordat u het product gebruikt.

De werking controleren voordat u het product gebruikt

1. Controleer de luchtinlaat op vuil en scheuren. Gebruik een borstel en verwijder gras en bladeren van het product.
2. Controleer of het product correct werkt.
3. Controleer alle moeren en schroeven en zorg ervoor dat ze goed vastzitten.

Accu



WAARSCHUWING: Zorg dat u het hoofdstuk over veiligheid hebt gelezen en begrepen voordat u de accu gebruikt. Zorg er ook voor dat u de bedieningshandleiding

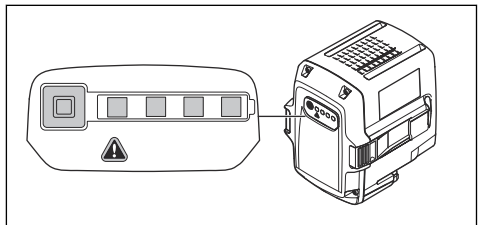
bij de accu en de acculader hebt gelezen en begrepen.

Houd de accu en de acculader in de correcte omgevingstemperaturen.

	Omgevingstemperatuur
Accu gebruiken	5 °C-40 °C / 41 °F-104 °F
Accu laden	5 °C-40 °C / 41 °F-104 °F

Accustatus

Het display toont de laadstatus en geeft aan of er problemen zijn met de accu.



Led-indicator	Laadstatus accu
4 leds branden	De accu is 76% - 100% opgeladen.

Led-indicator	Laadstatus accu
3 leds branden	De accu is 51% - 75% opgeladen.
2 leds branden	De accu is 26% - 50% opgeladen.
1 led brandt	De accu is 6% - 25% opgeladen.
1 led knippert	De accu is 0% - 5% opgeladen.

De accu opladen

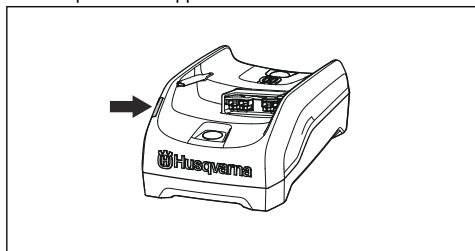
Laad de accu op als u deze voor de eerste keer gebruikt. Een nieuwe accu is slechts 30% opgeladen.



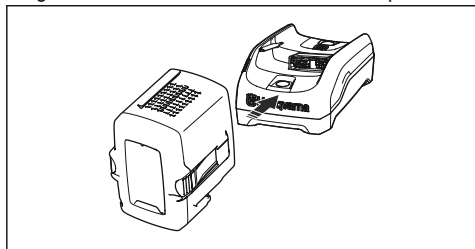
OPGELET: Sluit de acculader aan op een stopcontact waarvan de spanning en frequentie overeenkomen met de specificaties op het productplaatje.

De accu wordt niet opgeladen als de temperatuur van de accu hoger is dan 50 °C/122 °F.

1. Sluit de voedingskabel aan op de acculader.
2. Sluit de acculader aan op een geaard stopcontact. De oplaadled knippert 1 keer.



3. Sluit de accu aan op de acculader. De oplaadled gaat branden. Laad de accu max. 24 uur op.



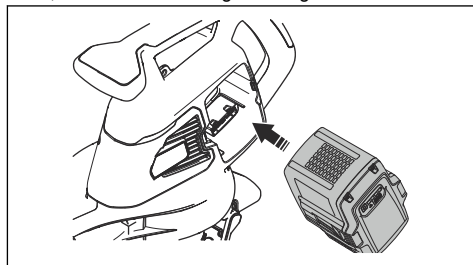
4. Druk op de accu-indicatieknop, wanneer alle led-indicatielampjes branden, is de accu volledig geladen.
5. Haal de stekker uit het stopcontact om de acculader van het stopcontact los te koppelen. Trek niet aan de voedingskabel.
6. Haal de accu uit de acculader.

De accu aansluiten op het product

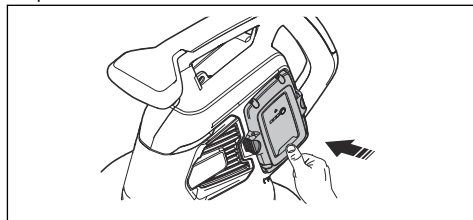


WAARSCHUWING: Gebruik uitsluitend originele Husqvarna-accu's in het product.

1. Zorg ervoor dat de accu volledig is opgeladen.
2. Schuif de accu in de accuhouder van het product. De accu moet gemakkelijk schuiven. Als dat niet zo is, dan is de accu niet goed aangebracht.

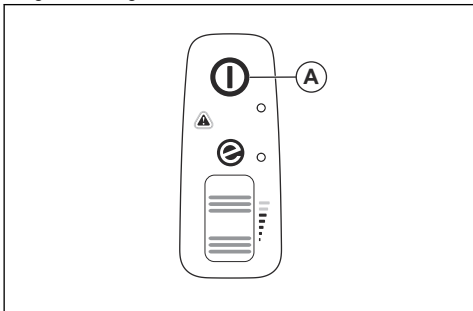


3. Druk tegen het onderste deel van de accu en druk het zover mogelijk in het accucompartiment. De accu vergrendelt in positie, waarbij u een klik zult horen.
4. Zorg ervoor dat de vergrendelingen goed op hun plaats vastklikken.

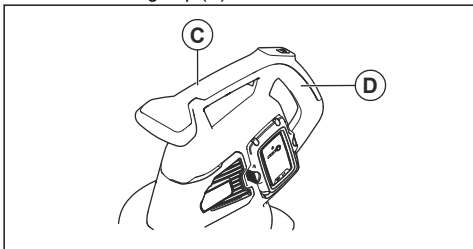


Product starten

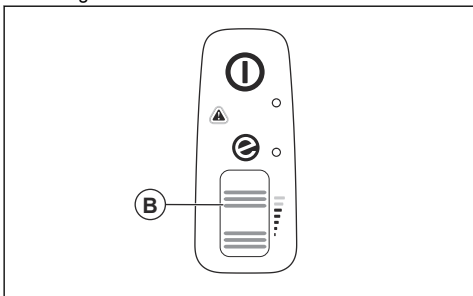
1. Houd de start-stopknop (A) ingedrukt totdat de groene led gaat branden.



2. Houd de extra handgreep (C) vast met één hand en de hoofdhandgreep (D) met de andere hand.

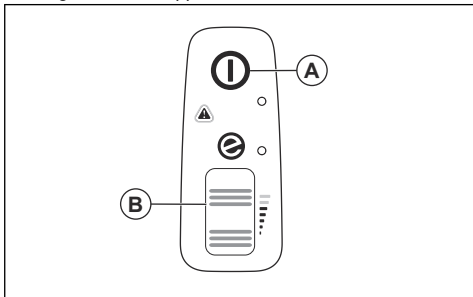


3. Draai het vermogenswiel (B) omhoog om de blaas- of zuigmodus te starten.



Product stoppen

1. Draai het vermogenswiel (B) omlaag om de blaas- of zuigmodus te stoppen.

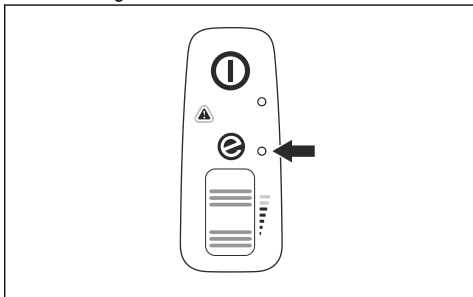


2. Houd de start-stopknop (A) ingedrukt totdat de groene led uitgaat.

ECO-modus

De ECO-modus verlengt de levensduur van de accu.

- Draai het vermogenswiel omlaag om de ECO-modus te starten. Het ledlampje gaat aan nadat de ECO-modus is gestart.



- Draai het vermogenswiel omhoog om te starten in de normale modus. Het ledlampje gaat uit nadat de normale modus is gestart.

De opvangzak legen



WAARSCHUWING:

Scherpe voorwerpen kunnen letsel veroorzaken. Plaats uw handen niet in de opvangzak wanneer u die leegt.

1. Stop het product.
2. Verwijder de opvangzak.
3. Draai de opvangzak binnenstebuiten en verwijder de verzamelde voorwerpen.
4. Spoel de opvangzak schoon met een tuinslang.
5. Laat de opvangzak drogen.
6. Monteer de opvangzak.

Automatische uitschakelfunctie

Het product heeft een automatische uitschakelfunctie die het product stopt als het niet wordt gebruikt. Het product wordt na 1 minuut uitgeschakeld.

Onderhoud

Inleiding



WAARSCHUWING: Voordat u onderhoudswerkzaamheden gaat uitvoeren, dient u het hoofdstuk over veiligheid te lezen en hebben begrepen.

Onderhoudsschema



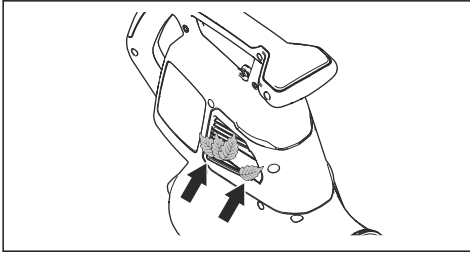
WAARSCHUWING: Verwijder de accu voordat u onderhoud uitvoert.

Hieronder volgt een lijst van het onderhoud dat u aan het product moet uitvoeren.

Onderhoud	Elke dag	Wekelijks	Maandelijks
Reinig het externe oppervlak met een zachte en droge doek. Gebruik geen water.	X		
Houd de handgrepen droog, schoon en vrij van olie en vet.	X		
Controleer of de start/stop-knop correct werkt en niet beschadigd is.	X		
Zorg ervoor dat het vermogenswiel correct werkt in termen van veiligheid.	X		
Controleer of de moeren en schroeven goed zijn vastgedraaid.	X		
Controleer de accu op beschadigingen.	X		
	X		
Controleer of de ontgrendelknoppen op de accu naar behoren werken en de accu in het product wordt vergrendeld.	X		
Controleer de acculader op beschadiging en zorg dat deze naar behoren werkt.	X		
Controleer alle koppelingen, aansluitingen en kabels op beschadigingen en zorg ervoor dat er geen vuil op zit.		X	
Controleer de aansluitingen tussen de accu en het product en controleer ook de aansluiting tussen de accu en de acculader.			X
Reinig de luchtstroomsleuven met een zachte borstel (gebruik geen schroeven-draaier).	X		
Verwijder en reinig de blaaspijp of de zuigpijp.	X		
Leeg en reinig de opvangzak. Raadpleeg <i>De opvangzak legen op pagina 128</i> .	X		
Verwijder gras, bladeren, vuil en ander ongewenst materiaal uit de inlaatopening en afdekking ervan.	X		
Onderzoek de waaiventilator op vervuiling en reinig deze zo nodig met een stomp, lang voorwerp.	X		

Luchtinlaat controleren

1. Zorg ervoor dat de luchtinlaat aan de zijkant van het product niet wordt geblokkeerd.



2. Stop het product en verwijder bladeren of ongewenst materiaal indien nodig.



OPGELET: Een verstopte luchtinlaat vermindert de blaascapaciteit van het product en verhoogt de

werktemperatuur van de motor. Dit kan leiden tot motorstoringen omdat de motor te heet wordt.

Accu en acculader controleren

1. Controleer de accu op beschadigingen, bijvoorbeeld scheuren.
2. Controleer de acculader op beschadigingen, bijvoorbeeld scheuren.
3. Controleer of de aansluitkabel van de acculader niet beschadigd of gescheurd is.

Product, accu en acculader reinigen

1. Reinig het product met een droge doek na gebruik.
2. Reinig de accu en acculader met een droge doek. Houd de accugeleiderails schoon.
3. Zorg ervoor dat de aansluitingen van de accu en de acculader schoon zijn voor dat de accu in de acculader of het product wordt geplaatst.

Probleemoplossing

Gebruikers interface

Gebruikers interface	Mogelijke fouten	Mogelijke oplossing
Rode fout-led knippert.	Temperatuurafwijking.	Laat het product afkoelen.
	Pijp of ventilatordeksel is verwijderd.	Monteer de pijp of het ventilatordeksel.
	Fout in accu.	Vervang de accu of laad de accu op.
	Onderhoud is nodig.	Neem contact op met uw servicedealer.
Het product start niet.	Vuil in de accuaansluitingen.	Reinig met perslucht of een zachte borstel.

Accu

Led-display	Mogelijke fouten	Mogelijke oplossing
Groene led knippert.	Lage accuspanning.	Laad de accu op.

Led-display	Mogelijke fouten	Mogelijke oplossing
Fout-led knippert.	Temperatuurafwijking.	Gebruik de accu bij temperaturen tussen -10 °C (14 °F) en 40 °C (104 °F).
	Spanning te hoog.	Controleer of de netspanning overeenkomt met de spanning van het product. Zie het productplaatje op het product.
		Haal de accu uit de acculader.
Fout-led gaat branden	Celverschil te groot (1 V).	Neem contact op met uw servicedealer.

Acculader

Staat	Mogelijke fouten	Mogelijke procedure
De oplaadled is rood.	Permanente acculaderfout.	Neem contact op met uw dealer.
De oplaadled knippert groen.	Temperatuurafwijking, de accu is te koud of te heet om te gebruiken of op te laden.	Laat de accu afkoelen of warm worden. Als de accu de juiste temperatuur heeft, kan deze weer worden gebruikt of opgeladen. Gebruik de acculader bij omgevingstemperaturen tussen 5 °C (41 °F) en 40 °C (104 °F).
De oplaadled knippert rood.	Defecte accu	Neem contact op met uw dealer.

Vervoer, opslag en verwerking

Transport en opslag

- De meegeleverde Li-ion-accu's voldoen aan de wettelijke vereisten voor gevaarlijke goederen.
- Neem de bijzondere voorschriften op de verpakking en labels voor commercieel transport in acht. Dit geldt ook voor derden en expediteurs.
- Neem contact op met een persoon die gespecialiseerd is op het gebied van gevaarlijke stoffen voordat u het product verzendt. Neem alle van toepassing zijnde nationale voorschriften in acht.
- Breng tape aan op blootliggende aansluitingen wanneer u de accu in een pakket plaatst. Plaats de accu strak in het pakket om beweging te voorkomen.
- Laat de machine altijd afkoelen voordat u deze opbergt.
- Verwijder de accu bij opslag of vervoer.
- Plaats de accu en de acculader in een droge, vocht- en vorstvrije ruimte.
- Bewaar de accu niet op plaatsen waar statische elektriciteit aanwezig is. Bewaar de accu niet in een metalen doos.
- Bewaar de accu op een plaats met een temperatuur tussen 5 °C en 25 °C en niet in direct zonlicht.
- Bewaar de acculader op een plaats met een temperatuur tussen 5 °C en 45 °C en niet in direct zonlicht.
- Gebruik de acculader alleen als de omgevingstemperatuur tussen 5 °C en 40 °C ligt.
- Laad de accu op tussen de 30% en 50% voorafgaand aan langdurige opslag.
- Berg de acculader op in een ruimte die afgesloten en droog is.
- Bewaar de accu niet in de buurt van de acculader. Laat kinderen en andere onbevoegde personen niet aan de apparatuur komen. Bewaar de apparatuur in een ruimte die u kunt afsluiten.
- Reinig het product en voer een volledige onderhoudsbeurt uit voordat u het product voor langere tijd opslaat.

- Gebruik de transportbescherming op het product om letsel bij personen of schade aan het product tijdens vervoer en opslag te voorkomen.
- Bevestig het product stevig tijdens vervoer.

Neem contact op met de lokale autoriteiten, het afvalverwerkingsbedrijf of uw dealer voor meer informatie.



Accu, acculader en product afvoeren

Het onderstaande symbool betekent dat het product geen huishoudelijk afval is. Lever het in bij een recyclepunt voor elektrische en elektronische apparatuur. Dit voorkomt vervuiling van het milieu en letsel bij personen.

Let op: Het symbool staat op het product of op de verpakking van het product.

Technische gegevens

Technische gegevens

	120iBV
Motor	
Motortype	BLDC (borstelloos) 36 V
Gewicht	
Gewicht zonder accu, kg	4,6
Geluidsemissies ¹⁹	
Geluidsvermogeniveau, gemeten dB(A)	97
Geluidsvermogensniveau, gegarandeerd L _{WA} dB (A)	100
Geluidsniveaus ²⁰	
Equivalent geluidsdruk niveau op oorhoogte van de gebruiker, gemeten in overeenstemming met EN/ISO 11203 en ISO 22868, dB(A):	84
Trillingsniveau ²¹	
Trillingsniveaus in de voorste/achterste handgreep, gemeten volgens ISO 22867, m/s ²	1,4/1,7
Ventilatorprestaties	
Luchtstroom in normale modus met standaard mondstuk, m ³ /min	6,7
Maximale luchtsnelheid in normale modus met standaard mondstuk, m/s / mph	50/111

Geluids- en trillingsgegevens zijn bepaald op basis van het nominale maximale toerental.

¹⁹ Geluidsemissie naar de omgeving gemeten als geluidsvermogen (L_{WA}) volgens EG-richtlijn 2000/14/EG. Het gerapporteerde geluidsvermogensniveau voor de machine is gemeten met de originele snijuitrusting die het hoogste niveau geeft. Het verschil tussen gegarandeerd en gemeten geluidsvermogen is dat het gegarandeerde geluidsvermogen ook spreiding in het meetresultaat omvat en de verschillen tussen de verschillende machines van hetzelfde model conform Richtlijn 2000/14/EG.

²⁰ De gerapporteerde gegevens voor een vergelijkbaar geluidsdruk niveau voor de machine vertonen een typische statistische spreiding (standaardafwijking) van 3 dB(A).

²¹ De gerapporteerde gegevens voor een trillingsniveau vertonen een typische statistische spreiding (standaardafwijking) van 1,5 m/s².

Goedgekeurde accu's

Gebruik uitsluitend Husqvarna originele 40-B-accu's voor dit product.

Goedgekeurde accu's

Accu	40-B140
Type	Lithium-ion
Accucapaciteit, Ah	4
Nominale spanning, V	36
Gewicht, kg	1,25

Goedgekeurde acculaders

Acculader	40-C80
Netspanning, V	100-240
Frequentie, Hz	50-60
Vermogen, W	72
Uitgangsspanning, V d.c./ Ampère, A	43/1,6

Verklaring van overeenstemming

EU-verklaring van overeenstemming

Wij, **Husqvarna AB**, SE-561 82 Huskvarna, ZWEDEN, tel.: +46-36-146500, verklaren onder onze alleenverantwoordelijkheid dat het product:

Beschrijving	Handgedragen tuinbladblazer/-zuiger
Merk	Husqvarna
Type/model	120iBV
Identificatie	Serienummers vanaf 2022 en verder

voldoen volledig aan de volgende EU-richtlijnen en -regelgeving:

Verordening	Beschrijving
2006/42/EG	"betreffende machines"
2014/30/EU	"betreffende elektromagnetische compatibiliteit"
2011/65/EU	"inzake beperking van het gebruik van bepaalde gevaarlijke stoffen in elektrische en elektronische apparatuur"
2000/14/EG	"betreffende de geluidsemissies in het milieu"

en dat de volgende normen en/of technische specificaties zijn toegepast:
EN 60335-1:2012+A11+A13+A1+A14+A2+A15, EN 50636-2-100:2014, EN IEC 63000:2018, EN ISO 12100:2010, EN IEC 55014-1:2021; EN IEC 55014-2:2021

In overeenstemming met de richtlijn 2000/14/EC, bijlage V, zie *Technische gegevens op pagina 132* voor de verklaarde geluidswaarden.

Huskvarna, 2023-01-16



Claes Losdal, R&D Manager, Husqvarna AB
Verantwoordelijk voor technische documentatie

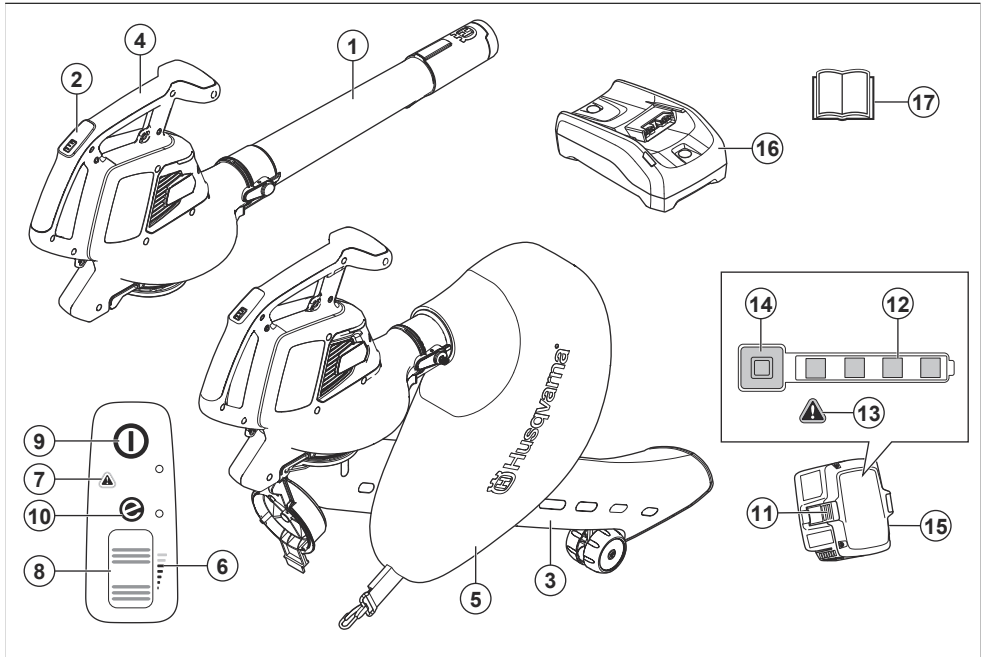


CUPRINS

Introducere.....	135	Depanarea.....	148
Siguranță.....	137	Transportul, depozitarea și eliminarea.....	149
Asamblarea.....	142	Date tehnice.....	150
Funcționarea.....	144	Declarație de conformitate.....	152
Întreținerea.....	147		

Introducere

Prezentare generală a produsului



1. Tubul de refulare
2. Tastatură
3. Tub de aspirator
4. Mâner
5. Sac colector
6. Indicator debit de aer
7. Indicator de avertisment (LED de eroare)
8. Roată de alimentare
9. Buton de pornire/oprire
10. Indicator Save
11. Buton de eliberare a bateriei
12. Stare baterie
13. Indicator de avertisment (LED de eroare)
14. Indicator de pornire și avertisment
15. Baterie, inclusă numai în kitul suflantei Husqvarna 120iBV
16. Încărcător de baterie, inclus numai în kitul suflantei Husqvarna 120iBV
17. Manual de utilizare

Descrierea produsului

Husqvarna 120iBV este un model de suflantă / aspirator cu motor electric.

Avem o politică de dezvoltare continuă a produselor și, prin urmare, ne rezervăm dreptul de a modifica fără preaviz designul și aspectul produselor.

Domeniul de utilizare

Modul suflantă: Suflanta este proiectată pentru a sufla particulele de praf sau resturile de iarbă de pe cărări, alei, din curte sau din alte locuri. În plus, este menită pentru suflarea resturilor de iarbă, paie sau frunze pentru a crea grămezi sau pentru a elimina particulele de praf din colțuri, de la îmbinări sau din spațiile dintre dale sau cărămizi.

Modul aspirator: Aspiratorul este menit să aspire materialele uscate. Acestea includ frunze, iarbă, nuielușe și bucăți de hârtie.

Simbolurile de pe produs



AVERTISMENT: Acest produs poate fi periculos și poate cauza vătămări corporale grave sau decesul operatorului sau al altor persoane. Aveți grijă să utilizați corect produsul.



Citiți cu atenție manualul de utilizare și asigurați-vă că înțelegeți instrucțiunile, înainte de a utiliza acest produs.



Utilizați ochelari de protecție omologați.



Tensiune nominală, V



Curent continuu.



Etichetă privind emisiile de zgomot în mediu, conform directivelor și reglementărilor din UE și Regatul Unit și legislației din New South Wales „Regulamentul privind măsurile de protecție a mediului (controlul zgomotului) din 2017”. Nivelul de putere sonoră garantat al produsului este specificat în *Date tehnice la pagina 150* și pe etichetă.



Deconectați bateria înainte de întreținere.



Nici produsul și nici ambalajul său nu sunt deșeuri menajere. Reciclați la un centru de reciclare pentru echipamente electrice și electronice.



Produsul respectă directivele CE aplicabile.



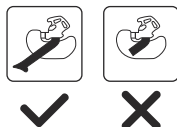
Acest produs este în conformitate cu reglementările aplicabile din Regatul Unit.



Nu expuneți la ploaie.



Așteptați să se oprească lamele rotorului înainte de a opri produsul.



Folosiți produsul în modul aspirator doar când tubul este complet asamblat.



Operatorul suflantei trebuie să se asigure că nicio persoană și niciun animal nu se apropie la mai puțin de 15 metri. Când mai mulți operatori lucrează în același punct de lucru, trebuie să se aplice o distanță de siguranță de cel puțin 15 metri. Suflanta poate azvârli cu forță obiecte care pot ricoșa. Dacă nu se utilizează echipamentul de siguranță recomandat, acest lucru poate duce la vătămări oculare grave.



aaaa wwxxxx

Plăcuța de identificare indică seria. **aaaa** este anul fabricației, **ss** este săptămâna fabricației.

Nota: Alte simboluri/etichete de pe accesoriu se referă la cerințe de certificare specifice pentru anumite piețe.

Simbolurile de pe baterie și/sau de pe încărcătorul acesteia



Reciclați acest produs la un centru de reciclare pentru echipamente electrice și electronice. (Este valabilă numai pentru Europa)



Transformator autoprotejzat.



Utilizați și păstrați încărcătorul de baterie numai în interior.



Izolație dublă.

Producător

Husqvarna AB

Drottninggatan 2, SE-561 82 Huskvarna

Deteriorarea produsului

Nu suntem responsabili pentru deteriorarea produsului dacă:

- produsul este reparat necorespunzător.
- produsul este reparat cu piese care nu provin de la producător sau care nu sunt aprobate de acesta.
- produsul are un accesoriu care nu provine de la producător sau care nu este aprobat de acesta.
- produsul nu este reparat la un centru de service omologat sau de o autoritate omologată.

Siguranță

Definiții privind siguranța

Avertizările, atenționările și notele sunt utilizate pentru a desemna părți foarte importante din manualul operatorului.



AVERTISMENT: Se utilizează dacă există risc de vătămare sau de deces pentru operator sau pentru trecători, în cazul în care instrucțiunile din manual nu sunt respectate.



ATENȚIE: Se utilizează dacă există un risc de deteriorare a produsului și/sau a accesoriului, a altor materiale sau a zonelor învecinate, dacă instrucțiunile din manual nu sunt respectate.

Nota: Se utilizează pentru a furniza mai multe informații care sunt necesare într-o situație dată.

Instrucțiuni generale de siguranță



AVERTISMENT: Înainte de a utiliza produsul, citiți instrucțiunile de avertizare de mai jos.

- Citiți cu atenție instrucțiunile ca să aflați comenzile și modul corect de funcționare a aparatului. Utilizarea incorectă sau neatență a produsului îl poate transforma într-o unealtă periculoasă, care poate cauza vătămări corporale grave sau chiar mortale în detrimentul operatorului sau altor persoane.
- Nu modificați sub nicio formă designul produsului fără permisiunea producătorului. Nu utilizați niciodată un produs care a fost modificat în

vreun fel față de specificația inițială și utilizați întotdeauna accesorii originale. Modificările și/sau accesoriile neautorizate pot avea drept rezultat vătămări corporale grave sau decesul operatorului sau al altor persoane. Garanția nu poate acoperi daunele sau răspunderea civilă cauzate de utilizarea de accesorii sau de piese de schimb neautorizate.

- În timpul funcționării, acest produs generează un câmp electromagnetic. În anumite condiții, acest câmp poate interfera cu implanturile medicale active sau pasive. Pentru a reduce riscul vătămare gravă sau de deces, recomandăm persoanelor cu implanturi medicale să se consulte cu medicul și cu producătorul implantului medical înainte de a utiliza acest produs.
- Scoateți bateria din produs înainte de încărcare.

Avertismente generale privind siguranța uneltelor electrice

Verificare înainte de pornire

- Inspectați zona de lucru. Îndepărtați toate obiectele nefixate, precum pietre, sticlă spartă, cuie, fire de oțel, sfori etc. care ar putea fi pulverizate.
- Scoateți întotdeauna bateria, pentru a preveni pornirea accidentală a aparatului. Deconectați întotdeauna bateria înainte de a efectua orice operații de întreținere asupra aparatului.
- Înainte de a utiliza mașina și după orice impact, verificați să nu prezinte semne de uzură sau de deteriorare și reparați-o dacă este necesar.
- Utilizați doar piese de schimb originale.
- Operatorul dispozitivului trebuie să se asigure că nicio persoană și niciun animal nu se apropie la mai mult de 15 metri în timpul lucrărilor. Când mai mulți operatori lucrează în aceeași locație, distanța de siguranță trebuie să fie de cel puțin 15 metri.

- Efectuați o inspecție generală a echipamentului înainte de utilizare, consultați programul de întreținere.
- Este posibil ca utilizarea să fie reglementată de norme naționale sau locale. Respectați reglementările aplicabile.

Siguranța personală

- **Fiți atent la ceea ce faceți și operați unealta electrică în baza simțului practic. Nu utilizați o unealtă electrică când sunteți obosit sau sub influența drogurilor, a alcoolului sau a medicamentelor.** Un moment de neatenție în timpul acționării uneltelor electrice poate duce la vătămări corporale grave.
- Țineți trecătorii la distanță.
- Acest dispozitiv nu este destinat utilizării de către persoane (inclusiv copii) cu capacități fizice, senzoriale sau mentale reduse sau care nu au experiența și cunoștințele necesare, decât dacă sunt supervizate sau au primit instrucțiuni referitoare la utilizarea dispozitivului din partea unei persoane responsabile cu siguranța lor. Copiii trebuie supravegheați, pentru a vă asigura că nu se joacă cu echipamentul.
- Nu lăsați niciodată copiii sau persoane nefamiliarizate cu aceste instrucțiuni să folosească produsul. Este posibil ca reglementările locale să limiteze vârsta operatorului.
- Nu permiteți persoanelor neautorizate să se apropie. Copiii, animalele, spectatorii sau persoanele care vă ajută trebuie ținute în afara zonei de siguranță de 15 m (50 ft). Oprii aparatul imediat dacă se apropie cineva.
- Depozitați echipamentul într-un spațiu care poate fi încuiat și în care nu pot ajunge copiii și persoanele neautorizate.
- Nu utilizați aparatul pe o suprafață pavată sau pe pietriș, unde materialul proiectat poate provoca vătămări corporale.
- Purtați întotdeauna încălțăminte rezistentă și pantaloni lungi în timpul utilizării aparatului. Nu operați aparatul în picioarele goale sau purtând sandale deschise. Evitați îmbrăcămintea largă sau care are cordoane sau curele care atarnă.
- Nu purtați haine largi sau bijuterii care pot fi aspirate în admisia de aer. Țineți părul lung la distanță de admisile de aer.
- Nu utilizați niciodată acest dispozitiv dacă sunteți obosit, dacă ați consumat alcool sau dacă luați medicamente care v-ar putea afecta vederea, judecata sau coordonarea.
- Utilizați echipamentul individual de protecție. A se vedea instrucțiunile din capitolul „Echipamentul de protecție personală”.
- Scoateți întotdeauna bateria când transmiteți aparatul unei alte persoane.
- Rețineți că este responsabilitatea dvs., în calitate de operator, să nu expuneți alte persoane sau proprietatea acestora la accidente sau la pericole.

Utilizarea și întreținerea uneltei electrice

- Nu utilizați niciodată un dispozitiv care a fost modificat în orice mod față de specificația sa inițială. Nu utilizați niciodată aparatul în apropierea materialelor explozive sau inflamabile.
- Nu utilizați niciodată un aparat care este defect. Efectuați verificările de siguranță, operațiile de întreținere și de service descrise în acest manual. Anumite operații de întreținere și de service trebuie efectuate de specialiști instruiți și calificați. Consultați instrucțiunile din subcapitolul Întreținerea.
- Utilizați doar piese de schimb originale.
- Asigurați-vă întotdeauna că deschiderile de ventilație nu prezintă reziduurii.
- Înainte de pornire, trebuie montate toate capacele, apărătoarele și mânerele.
- Utilizați aparatul numai la lumina zilei sau în alte condiții de iluminat corespunzător.
- Nu utilizați niciodată aparatul pe vreme rea, de exemplu pe ceață sau ploaie, imediat după ploaie, în locuri umede, pe vânt puternic, la temperaturi exterioare foarte scăzute, atunci când există riscul de descărcări electrice etc. Lucrul la temperaturi extrem de ridicate pot provoca supraîncălzirea aparatului. Funcționarea în condiții de vreme rea este obositoare și poate duce la condiții periculoase, de exemplu suprafețe alunecoase.
- Dacă aparatul începe să vibreze anormal, opriți-l și scoateți bateria.
- Mergeți, nu alergați niciodată.

Instrucțiuni de siguranță pentru utilizare

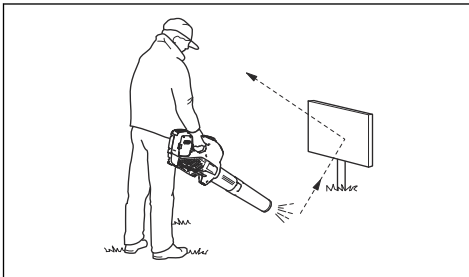


AVERTISMENT: Înainte de a utiliza produsul, citiți instrucțiunile de avertizare de mai jos.

- Dacă întâlniți o situație în care nu știți sigur cum să procedați, trebuie să întrebați un specialist. Contactați distribuitorul sau atelierul de service. Evitați utilizările care, în opinia dvs., vă depășesc abilitățile.
- Asigurați-vă că vă puteți deplasa și sta în picioare în siguranță. Verificați dacă în zona din jurul dvs. nu există posibile obstacole (rădăcini, pietre, crengi, șanțuri etc.) în caz că trebuie să vă deplasați brusc. Aveți mare grijă în timp ce lucrați pe teren în pantă.
- Păstrați un echilibru optim și stabilitatea picioarelor în mod constant. Nu vă întindeți prea mult.
- Ascultați semnalele de avertisment sau strigătele când purtați echipament pentru protecția auzului. Îndepărtați întotdeauna protecția pentru auz imediat ce se oprește produsul.
- Nu utilizați produsul în apropierea ferestrelor deschise.
- Respectați persoanele din zona de lucru evitând să utilizați produsul la ore nepotrivite, cum ar fi

seara târziu sau dimineața devreme. Respectați reglementările și ordonanțele locale.

- Utilizați produsul la cel mai mic debit de aer posibil. Rareori este necesar să utilizați debitul de aer maxim, multe dintre procedurile de lucru putând fi executate la jumătate din debitul de aer. Un debit de aer mai mic înseamnă mai puțin zgomot și mai puțin praf și, de asemenea, facilitează controlul asupra gunoiului colectat/mutat.
- În condiții de praf, umeziți ușor suprafața atunci când utilizați produsul.
- Pentru a disloca gunoiul lipit de sol, utilizați o greblă sau o perie.
- Țineți gura suflantei cât mai aproape de sol.
- Observați zona înconjurătoare. Îndreptați produsul în direcția opusă persoanelor, animalelor, zonelor de joacă, vehiculelor etc.
- Reduceți la minimum timpul de suflare prin umezirea ușoară a zonelor de praf sau prin utilizarea echipamentului de pulverizare.
- Fiți atenți la direcția vântului. Folosiți-vă de vânt pentru a vă ușura munca.
- Oprii produsul și scoateți bateria dacă aparatul începe să vibreze în mod anormal.
- Utilizarea suflantei pentru mutarea unor grămezi mari irosește timpul și generează zgomot inutil.
- La final, curățați zona de lucru. Asigurați-vă că nu ați suflat gunoi în grădina altei persoane.
- Nu alergați când cărați produsul.
- Curenții puternici de aer pot deplasa obiectele la viteze suficient de mari pentru ca acestea să ricoșeze înapoi și să cauzeze vătămări oculare grave.



- Nu îndreptați debitul de aer spre persoane sau animale.
- Oprii motorul înainte de a asambla sau dezasambla accesoriile sau alte piese.
- Feriți-vă toate părțile corpului de suprafețele fierbinți.
- Nu lăsați niciodată produsul jos atunci când este activat decât dacă aveți o vizibilitate bună asupra acestuia.
- Oprii motorul și scoateți bateria. Asigurați-vă că toate piesele mobile s-au oprit din mișcare:
 - ori de câte ori părăsiți mașina,

- înainte de a curăța blocajele și a desfunda tubul de evacuare,
- înainte de a verifica, de a curăța sau de a lucra cu aparatul.
- Oprii imediat sursa de alimentare și permiteți-i mașinii să se oprească dacă mecanismul de tăiere lovește obiecte străine sau dacă mașina prezintă zgomote sau vibrații neobișnuite. Deconectați bateria de la aparat și parcurgeți pașii următori înainte a reporni și a utiliza aparatul:
 - examinați dacă există daune;
 - înlocuiți sau reparați toate componentele deteriorate;
 - verificați și strângeți toate componentele slăbite.
- Închideți sursa de alimentare și deconectați mașina de la baterie înainte să curățați materialele nedorite dacă mașina se blochează.
- Nu transportați acest mașină atunci când este conectată la o sursă de alimentare.
- Nu înclinați mașina atunci când sursa de alimentare este pornită.
- Suflanta nu trebuie utilizată pe scări sau pe eșafodaje.



- Nu utilizați produsul decât în situații în care puteți cere ajutor în caz de accident.
- Fiți atenți la obiectele azvârlite. Pietrele, gunoiul etc. pot fi azvârlite în ochi, cauzând orbire sau vătămare gravă.
- Utilizați un dispozitiv cu curent rezidual (RCI) pentru un plus de securitate atunci când încărcați produsul. Un dispozitiv de curent rezidual este montat pentru a proteja operatorii în cazul apariției unei defecțiuni electrice.
- Acest produs este recunoscut pentru vibrațiile reduse. Expunerea prelungită la vibrații poate duce la afecțiuni circulatorii sau la deteriorări ale nervilor la persoane care au o circulație defectuoasă. Contactați medicul dacă prezentați simptome de expunere prelungită la vibrații. Astfel de simptome includ amorțeală, pierderea sensibilității tactile, gâdilături, ciupituri, durere, pierderea forței, modificări în culoarea sau în starea pielii. Aceste simptome apar în mod normal la degete, mâini sau încheieturi.
- Utilizați produsul numai în scopul pentru care acesta a fost conceput.

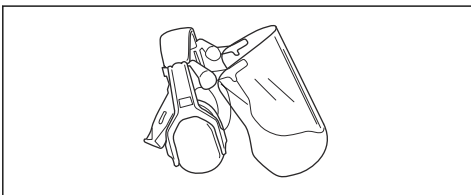
- Nu este posibil să prezentăm toate situațiile imaginabile cu care vă puteți confrunta. Lucrați întotdeauna cu atenție și folosiți-vă gândirea. Evitați toate situațiile pe care le considerați că vă depășesc capacitatea de reacție. Dacă totuși vă simțiți nesiguri în legătură cu procedurile de operare după citirea acestor instrucțiuni, trebuie să consultați un specialist înainte de a continua.

Echipament de protecție personală

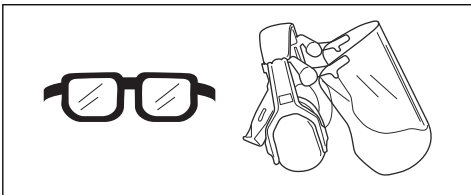


AVERTISMENT: Înainte de a utiliza produsul, citiți instrucțiunile de avertizare de mai jos.

- Utilizați întotdeauna echipamente de protecție personală atunci când folosiți produsul. Echipamentul individual de protecție nu poate elimina complet riscul de rănire, însă poate reduce gravitatea rănilor în cazul unui accident. Distribuitorul vă poate ajuta să alegeți echipamentul corect.
- Expunerea pe termen lung la zgomot vă poate afecta auzul. În general, produsele alimentate cu baterii sunt relativ silențioase, dar pot afecta auzul în urma unei combinații de nivel de zgomot și durată mare de utilizare. recomandă ca operatorii să utilizeze protecții auditive atunci când utilizează produse pentru o durată coerentă mai lungă de o zi. Operatorii care utilizează în mod continuu și regulat aparatul trebuie să efectueze un control auditiv în mod regulat. Rețineți că protecțiile auditive limitează capacitatea de a auzi sunete și semnale de avertisment.



- Utilizați ochelari de protecție omologați. Dacă utilizați un vizor de protecție, trebuie să purtați și ochelari de protecție. Ochelarii de protecție trebuie să fie compatibili cu standardul ANSI Z87.1 în S.U.A. sau EN 166 în țările UE.



- Purtați haine din țesături rezistente. Purtați întotdeauna pantaloni lungi, din material gros, și îmbrăcăminte cu mâneci lungi. Nu purtați haine largi, care se pot prinde în crenguțe și ramuri. Nu purtați bijuterii, șort, sandale și nu lucrați în picioarele goale.

Strângeți-vă părul în siguranță, deasupra nivelului umărului.

- Păstrați la îndemână echipament de prim ajutor.



- Când există pericolul de generare a prafului, trebuie purtată o mască de protecție.

Dispozitivele de siguranță de pe produs

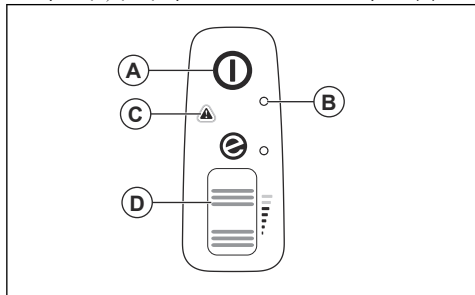


AVERTISMENT: Înainte de a utiliza produsul, citiți instrucțiunile de avertizare de mai jos.

- În această secțiune sunt descrise caracteristicile de siguranță al produsului, scopul său și modul în care trebuie efectuate verificările și întreținerea pentru a asigura funcționarea corectă. A se vedea instrucțiunile din capitolul *Prezentare generală a produsului la pagina 135* pentru a afla unde sunt amplasate aceste piese pe produsul dvs.
- Durata de viață a produsului se poate reduce, iar riscul de accidente se poate mări dacă întreținerea produsului nu este efectuată corect, iar reglarea și/sau reparațiile nu sunt executate în mod profesional. Dacă aveți nevoie de informații suplimentare, contactați cel mai apropiat furnizor de service.
- Nu utilizați niciodată un produs cu componente de siguranță deteriorate. Echipamentul de siguranță al produsului trebuie inspectat și întreținut conform indicațiilor din acest capitol. Dacă produsul nu trece oricare dintre următoarele verificări, contactați agentul de service pentru reparații.
- Toate operațiunile de service și de reparații asupra produsului necesită instruire specială. Acest lucru se aplică în special cu privire la echipamentele de siguranță ale produsului. În cazul în care produsul dvs. nu are rezultat pozitiv la oricare dintre verificările descrise mai jos, trebuie să contactați agentul de service local. Atunci când achiziționați oricare dintre produsele noastre, garantăm disponibilitatea reparațiilor și service-ului profesionist. Dacă distribuitorul care comercializează produsul nu este dealer de service, solicitați-i adresa celui mai apropiat agent de service.

Verificarea tastaturii

1. Apăsăți și țineți apăsat butonul de start/oprire (A).



- a) Produsul este pornit când se aprinde LED-ul (B).
 - b) Produsul este oprit când este stins LED-ul (B).
2. Consultați *Interfață utilizator la pagina 148* dacă indicatorul de avertisment (C) se aprinde sau se aprinde intermitent.
 3. Apăsăți și eliberați roata de alimentare (D) pentru a vă asigura că se mișcă liber.

Siguranța bateriei



AVERTISMENT: Înainte de a utiliza produsul, citiți instrucțiunile de avertizare de mai jos.

- Utilizați numai bateriile din seria 40-B pe care vi le recomandăm pentru produsul dvs. Consultați *Baterii aprobate la pagina 151*. Bateriile sunt criptate prin software.
- Utilizați bateriile reîncărcabile din seria 40-B ca sursă de alimentare numai pentru produsele Husqvarna asociate. Pentru a evita rănirea, nu folosiți bateria ca sursă de alimentare pentru alte dispozitive.
- Risc de electrocutare. Nu conectați bornele bateriei la chei, șuruburi sau alte metale. Aceasta poate cauza scurtcircuitarea bateriei.
- Nu utilizați baterii care nu sunt reîncărcabile.
- Nu puneți obiecte în fantele de aerisire a bateriei.
- Feriți bateria de lumina solară, de căldură sau de flăcări deschise. Bateria poate provoca arsuri și/sau arsuri chimice.
- Feriți bateria de ploaie și de condiții de umezeală.
- Feriți bateria de microunde și de înaltă presiune.
- Nu încercați să demontați sau să spargeți bateria.
- Utilizați bateria la temperaturi între -10 °C (14 °F) și 40 °C (104 °F).
- Nu curățați niciodată cu apă bateria sau încărcătorul de baterii. Consultați *Curățarea produsului, bateriei și încărcătorului la pagina 148*.
- Nu utilizați o baterie defectă sau deteriorată.
- Depozitați bateriile la distanță de obiecte de metal, de exemplu cuie, șuruburi sau bijuterii.

- Nu lăsați bateria la îndemâna copiilor.

Siguranța încărcătorului de baterii



AVERTISMENT: Înainte de a utiliza produsul, citiți instrucțiunile de avertizare de mai jos.

- Există riscul de electrocutare sau de scurtcircuit dacă nu sunt respectate instrucțiunile de siguranță.
- Nu utilizați alte încărcătoare de baterii decât cel furnizat pentru produsul dvs. Utilizați doar încărcătoare 40-C80 când încărcați bateriile de schimb 40-B140 Husqvarna. Consultați *Încărcătoare de baterii omologate la pagina 151 și Baterii aprobate la pagina 151*.
- Nu încercați să dezasamblați încărcătorul de baterii.
- Nu utilizați un încărcător de baterii defect sau deteriorat.
- Nu ridicați încărcătorul de baterii ținând de cablul de alimentare. Pentru a deconecta încărcătorul de baterii de la priza de perete, trageți de ștecăr. Nu trageți de cablul de alimentare.
- Feriți toate cablurile și prelungitoarele de apă, ulei și muchii ascuțite. Asigurați-vă că acest cablu nu este prins între obiecte, de exemplu uși, garduri sau în alte locuri similare.
- Nu utilizați încărcătorul de baterii în apropiere de materiale inflamabile sau materiale care pot cauza coroziune. Asigurați-vă că încărcătorul de baterii nu este acoperit. În caz de fum sau de incendiu, scoateți ștecărul încărcătorului de baterii.
- Încărcați bateria numai în interior, într-un loc cu aerisire adecvată și departe de lumina soarelui. Nu încărcați bateria în exterior. Nu încărcați bateria în medii umede.
- Utilizați încărcătorul de baterii la temperaturi între 5 °C (41 °F) și 40 °C (104 °F). Utilizați încărcătorul într-un mediu foarte bine ventilat, uscat și fără praf.
- Nu puneți obiecte în fantele de răcire a încărcătorului de baterii.
- Nu atingeți niciodată bornele încărcătorului de baterii cu obiecte metalice, deoarece se pot crea scurtcircuite.
- Utilizați prize aprobate care nu sunt deteriorate. Asigurați-vă că nu este deteriorat cablul încărcătorului. Dacă sunt utilizate cabluri prelungitoare, asigurați-vă că acestea nu sunt deteriorate.

Instrucțiuni de siguranță pentru întreținere



AVERTISMENT: Înainte de a efectua lucrări de întreținere asupra produsului, citiți instrucțiunile de avertisment de mai jos.

- Când mașina este oprită pentru service, examinare sau depozitare ori pentru a schimba un accesoriu,

așteptați să se răcească înainte de a face examinări sau ajustări. Întrețineți-o cu atenție și mențineți-o curată.

- Scoateți bateria înainte de a efectua întreținerea, alte verificări sau de a asambla produsul.
- Operatorul trebuie să efectueze numai operațiile de întreținere și service indicate în acest manual al operatorului. Apelați la reprezentantul de service pentru întreținerea și service-ul de mai mare amploare.
- Aveți grijă ca toate piulițele, bolturile și șuruburile să fie strânse, pentru a avea certitudinea că produsul funcționează în siguranță.

- Înlocuiți componentele uzate sau deteriorate.
- Dacă nu efectuați operații de întreținere, durata de viață a produsului scade, iar pericolul de accidente crește.
- Este necesară instruirea profesională specială pentru toate lucrările de service și reparații, mai ales pentru dispozitivele de siguranță de pe produs. Dacă nu sunt aprobate toate verificările din acest manual al operatorului după efectuarea lucrărilor de întreținere, apelați la reprezentantul de service local. Vă garantăm că există servicii profesionale de reparații și service disponibile pentru produsul dvs.
- Utilizați doar piese de schimb originale.

Asamblarea

Modul suflantă



AVERTISMENT:

La rotirea lamelor rotorului sau la pornirea accidentală a produsului se pot produce vătămări. Înlăturați bateria și așteptați până când lamele rotorului se opresc înainte să asamblați produsul.

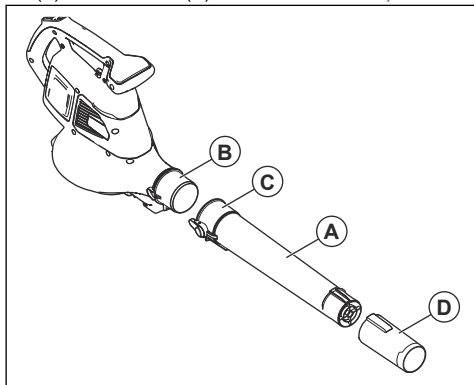


AVERTISMENT: Asamblați complet tubul suflantei și capacul de intrare înainte să folosiți produsul în modul suflantă.

Pentru asamblarea tubului

Nota: Când tubul suflantei nu este asamblat corect, un comutator de siguranță va împiedica pornirea.

1. Apăsăți tubul suflantei (A) în orificiul de evacuare (B). Interblocarea (C) se fixează când auziți un clic.

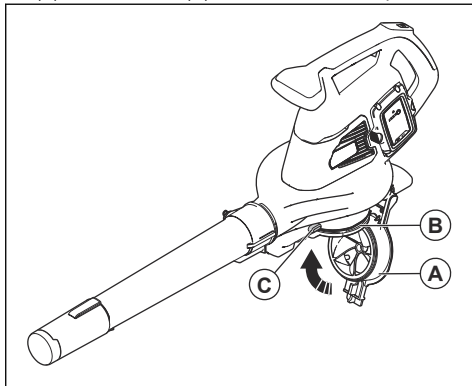


2. Instalați duza suflantei (D) pe tubul de refulare. Când auziți un clic, înseamnă că duza suflantei s-a blocat în poziția corectă.

Pentru a asambla capacul de admisie

Nota: Când capacul de admisie nu este asamblat corect, un comutator de siguranță va împiedica pornirea.

- Închideți capacul de admisie (A) pe intrarea suflantei (B). Interblocarea (C) se fixează când auziți un clic.



Utilizarea ca aspirator



AVERTISMENT: Asamblați complet tubul aspiratorului și sacul colector înainte să folosiți produsul în modul aspirator.

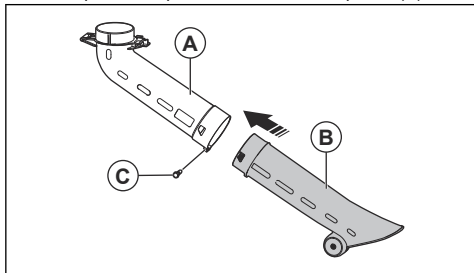
Pentru asamblarea tubului de aspirator



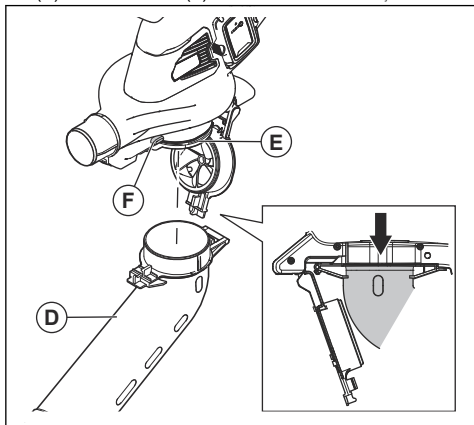
AVERTISMENT: Asamblați tuburile superioare și inferioare ale aspiratorului înainte să porniți produsul.

Nota: Când tubul aspiratorului nu este asamblat corect, un comutator de siguranță va împiedica pornirea.

1. Aliniați fantele de pe tubul superior de aspirare (A) cu clapetele de pe tubul inferior de aspirare (B).



2. Împingeți tubul inferior pe tubul superior de aspirare până când auziți un clic.
3. Strângeți șurubul (C).
4. Instalați tubul de aspirare (D) pe intrarea de aspirare (E). Interblocarea (F) se fixează când auziți un clic.



Asamblarea sacului de colectare

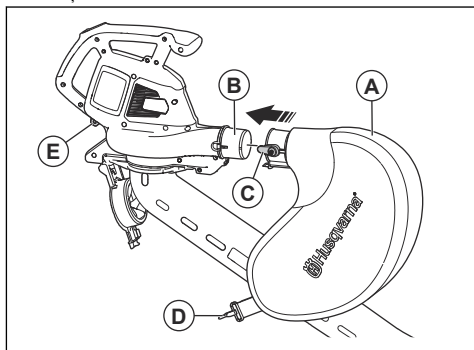
Nota: Dacă sacul colector nu este asamblat corect, un comutator de siguranță va opri procedura de pornire a produsului.



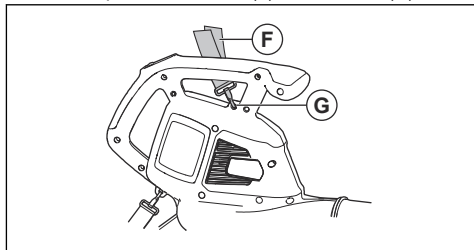
AVERTISMENT: Opriți aparatul înainte de atașarea sau scoaterea sacului.

1. Scoateți tubul suflantei dacă este instalat pe produs.

2. Apăsați sacul colector (A) pe orificiul de evacuare al aspiratorului (B). Interblocarea (C) se fixează când auziți un clic.



3. Conectați banda sacului colector (D) cu retainerul (E).
4. Conectați banda de umăr (F) cu retainerul (G).



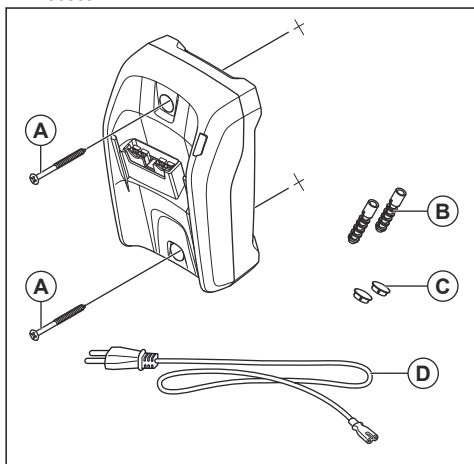
5. Asigurați-vă că este complet închis sacul colector.

Montarea încărcătorului de baterii pe perete



ATENȚIE: Nu utilizați o șurubelniță electrică pentru a monta încărcătorul de baterii pe perete. Șurubelnița electrică poate cauza deteriorarea încărcătorului de baterii.

1. Montați încărcătorul de baterii pe perete cu cele 2 șuruburi (A). Utilizați fișe de perete (B) dacă este necesar.
2. Montați cele 2 șuruburi în dibluri (C).
3. Conectați cablul de alimentare (D) la încărcătorul de baterii și la o priză.



Funcționarea

Introducere



AVERTISMENT: Citiți și înțelegeți capitolul referitor la siguranță înainte de utilizarea produsului.

Pentru verificarea funcționării înainte de utilizarea produsului

1. Verificați intrarea aerului pentru a afla dacă prezintă murdărie și fisuri. Folosiți o perie pentru a îndepărta iarba și frunzele de pe produs.
2. Asigurați-vă că produsul funcționează corect.
3. Verificați toate piulițele și șuruburile și asigurați-vă că acestea sunt strânse bine.

Baterie



AVERTISMENT: Citiți cu atenție capitolul referitor la siguranță înainte de a utiliza bateria. Citiți cu atenție informațiile

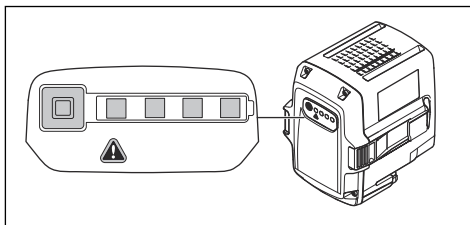
privind bateria și încărcătorul din manualul operatorului.

Păstrați bateria și încărcătorul la temperaturile ambiante corecte.

	Temperatură ambiantă
Folosirea bateriei	5-40 °C / 41-104 °F
Încărcarea bateriei	5-40 °C / 41-104 °F

Stare baterie

Afișajul arată starea de încărcare și dacă există probleme cu bateria.



Indicator cu LED	Starea de încărcare a bateriei
4 LED-uri aprinse	Bateria este încărcată în proporție de 76-100%.
3 LED-uri aprinse	Bateria este încărcată în proporție de 51-75%.
2 LED-uri aprinse	Bateria este încărcată în proporție de 26-50%.

Indicator cu LED	Starea de încărcare a bateriei
1 LED este aprins	Bateria este încărcată în proporție de 6-25%.
1 LED luminează intermitent	Bateria este încărcată în proporție de 0-5%.

Încărcarea bateriei

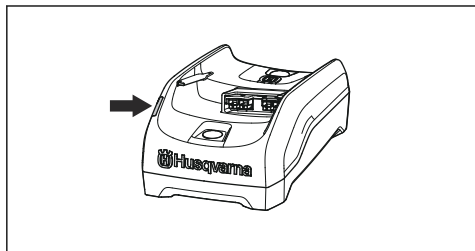
Încărcați bateria dacă este prima dată când o folosiți. O baterie nouă este încărcată doar până la 30%.



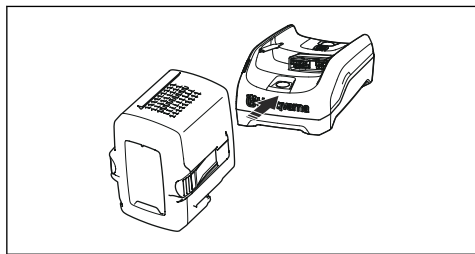
ATENȚIE: Conectați încărcătorul de baterii la o priză de alimentare cu tensiunea și frecvența specificate pe plăcuța de identificare.

Bateria nu se încarcă dacă temperatura sa depășește 50 °C / 122 °F.

1. Conectați cablul de alimentare la încărcător.
2. Conectați încărcătorul la o priză cu împământare. LED-ul de încărcare luminează o dată.



3. Conectați bateria la încărcător. LED-ul de încărcare se aprinde. Încărcați bateria timp de maximum 24 de ore.



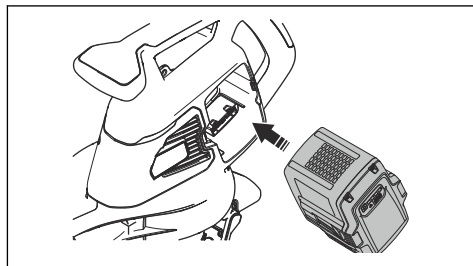
4. Apăsăți butonul indicator al bateriei dacă indicatoarele cu LED se aprind, bateria fiind complet încărcată.
5. Trageți fișa de alimentare pentru a deconecta încărcătorul de baterii de la priză. Nu trageți de cablul de alimentare.
6. Scoateți bateria din încărcător.

Pentru a conecta bateria la produs

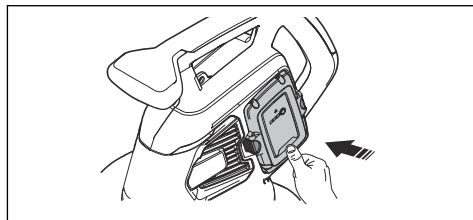


AVERTISMENT: Folosiți numai baterii originale Husqvarna în produs.

1. Asigurați-vă că bateria este încărcată complet.
2. Glisați bateria în suportul de baterii al produsului. Bateria trebuie să alunece ușor, în caz contrar, nu este instalată corect.

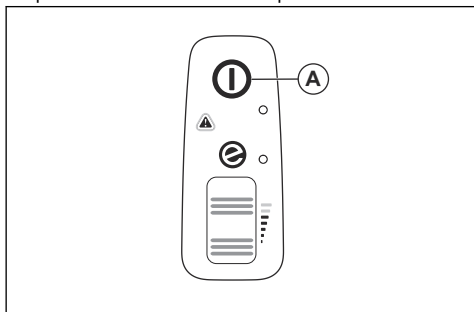


3. Apăsăți pe partea inferioară a bateriei și împingeți-o spre interior cât de mult este posibil în compartimentul acesteia. Când auziți un clic, înseamnă că bateria s-a blocat în poziția corectă.
4. Asigurați-vă că elementele de fixare se înclichetează corect.

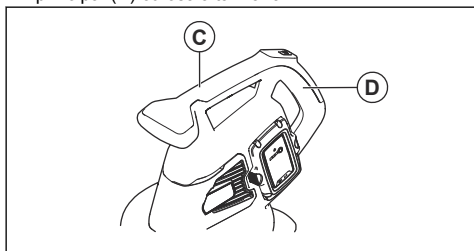


Pornirea produsului

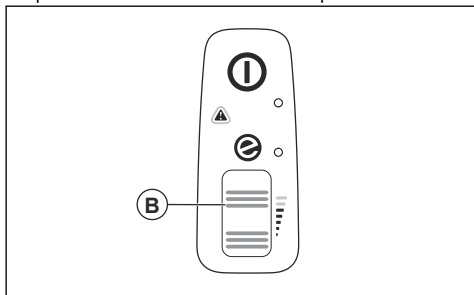
1. Apăsăți și țineți apăsat butonul de pornire/oprire (A) până când LED-ul verde se aprinde.



2. Țineți mânerul auxiliar (C) cu o mână și mânerul principal (D) cu cealaltă mână.

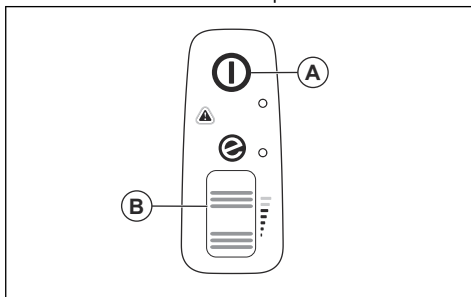


3. Deplasați în sus roata de alimentare (B) pentru a porni modul suflantă sau modul aspirator.



Oprirea produsului

1. Deplasați în jos roata de alimentare (B) pentru a opri modul suflantă sau modul aspirator.

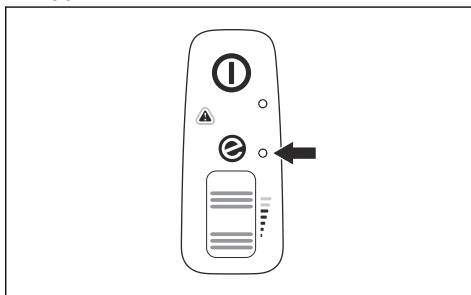


2. Apăsăți și țineți apăsat butonul de pornire/oprire (A) până când LED-ul verde se stinge.

Modul ECO

Modul ECO sporește durata de viață a bateriei.

- Deplasați în jos roata de alimentare pentru a porni modul ECO. LED-ul se aprinde când pornește modul ECO.



- Deplasați în sus roata de alimentare pentru a porni modul normal. LED-ul se stinge când pornește modul normal.

Golirea sacului colector



AVERTISMENT:

Obiectele ascuțite pot provoca rănirea. Nu introduceți mâinile în sacul de colectare pentru a-l goli.

1. Opriți produsul.
2. Înlăturați sacul colector.
3. Întoarceți pe dos interiorul sacului colector și înlăturați obiectele colectate.
4. Curățați sacul colector cu un furtun cu apă.
5. Lăsați sacul să se usuce.
6. Asamblați sacul de colectare.

Funcția de oprire automată

Produsul are funcție de oprire automată, care îl oprește dacă nu este utilizat. Produsul se oprește după 1 minut.

Întreținerea

Introducere



AVERTISMENT: Înainte de a efectua orice lucrări de întreținere, citiți și înțelegeți capitolul privind siguranța.

Program de întreținere



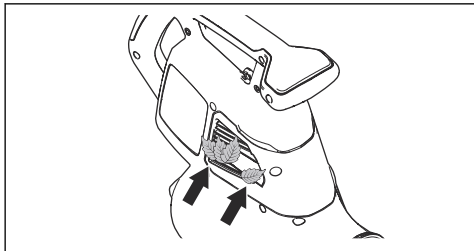
AVERTISMENT: Scoateți bateria înainte de a efectua operații de întreținere.

În continuare prezentăm o listă de pași de întreținere care trebuie efectuați asupra aparatului.

Întreținere	Zilnic	Săptămănal	Lunar
Curățați suprafața externă cu o lavetă curată și uscată. Nu folosiți apă.	X		
Mențineți mânerurile uscate, curate, fără ulei și unsoare.	X		
Asigurați-vă că butonul de pornire/oprire funcționează corect și că nu este deteriorat.	X		
Verificați dacă roata de alimentare funcționează corect și sigur.	X		
Examinați dacă piulițele și șuruburile sunt bine strânse.	X		
Verificați dacă bateria este deteriorată.	X		
	X		
Asigurați-vă că butoanele de eliberare de pe baterie funcționează corect și că bateria este fixată în produs.	X		
Verificați dacă încărcătorul de baterii nu prezintă deteriorări și asigurați-vă că funcționează corect.	X		
Examinați toate cuplajele, conexiunile și cablurile pentru a verifica dacă sunt deteriorate sau murdare.		X	
Examinați conexiunile dintre baterie și produs, precum și conexiunea dintre baterie și încărcătorul aferent.			X
Curățați fantele de ventilație cu o perie moale (nu folosiți șurubelnița).	X		
Eliminați și curățați tubul suflantei sau al aspiratorului.	X		
Goliți și curățați sacul colector. Consultați <i>Golirea sacului colector la pagina 146</i> .	X		
Înlăturați iarba, frunzele, praful și materialele nedorite din capacul și orificiul de admisie.	X		
Examinați rotorul ventilatorului pentru contaminare și curățați-l dacă este necesar, cu un obiect lung și bont.	X		

Pentru a verifica priza de aer

1. Asigurați-vă că priza de aer nu este blocată pe părțile produsului.



2. Opriți produsul și îndepărtați materialele nedorite, dacă este necesar.



ATENȚIE: Dacă priza de aer este blocată, capacitatea de suflare a produsului scade și temperatura de funcționare a motorului crește. Acest

lucru poate duce la defectarea motorului, deoarece acesta devine prea fierbinte.

Examinarea bateriei și încărcătorului

1. Examinați bateria pentru a identifica defecțiunile, de exemplu fisuri.
2. Examinați încărcătorul de baterii pentru a identifica defecțiunile, de exemplu fisuri.
3. Asigurați-vă că cablul de conectare al încărcătorului de baterii nu este deteriorat și că nu prezintă fisuri.

Curățarea produsului, bateriei și încărcătorului

1. Curățați produsul cu o cârpă uscată după utilizare.
2. Curățați bateria și încărcătorul de baterii cu o cârpă uscată. Mențineți curate șinele de ghidaj al bateriei.
3. Asigurați-vă că bornele bateriei și încărcătorul de baterii sunt curate, înainte ca bateria să fie introdusă în încărcător sau produs.

Depanarea

Interfață utilizator

Interfață utilizator	Erori posibile	Soluție posibilă
LED-ul roșu de eroare luminează intermitent.	Deviație de temperatură.	Lăsați produsul să se răcească.
	Înlăturați tubul sau capacul ventilatorului.	Asamblați tubul sau capacul ventilatorului.
	Eroare baterie.	Înlocuiți bateria sau încărcați bateria.
	Este nevoie de service.	Adresați-vă reprezentantului de service.
Produsul nu pornește.	Murdărie în conectorii bateriei.	Curățați cu aer comprimat sau cu o perie moale.

Baterie

Afișaj LED	Erori posibile	Soluție posibilă
LED-ul verde se aprinde intermitent.	Tensiune joasă a bateriei.	Încărcați bateria.

Afișaj LED	Erori posibile	Soluție posibilă
LED-ul de eroare luminează intermitent.	Deviație de temperatură.	Utilizați bateria la temperaturi între -10 °C (14 °F) și 40 °C (104 °F).
	Tensiune prea mare.	Asigurați-vă că tensiunea rețelei corespunde cu cea indicată pe plăcuța de identificare de pe produs. Consultați plăcuța de identificare de pe produs. Scoateți bateria din încărcător.
LED-ul de eroare se aprinde.	Diferența între baterii este prea mare (1 V).	Adresați-vă reprezentantului de servicii.

Încărcător de baterii

Stare	Erori posibile	Procedură posibilă
LED-ul de încărcare este roșu.	Eroare permanentă încărcător baterie.	Adresați-vă distribuitorului.
LED-ul de încărcare luminează intermitent verde.	Deviație de temperatură, bateria este prea rece sau prea fierbinte pentru a fi utilizată sau încărcată.	Lăsați bateria să se răcească sau încălziți-o. Când bateria are temperatura corectă, aceasta poate fi utilizată sau încărcată din nou. Utilizați încărcătorul bateriei la temperaturi ambiante cuprinse între 5 °C (41 °F) și 40 °C (104 °F).
LED-ul de încărcare luminează intermitent roșu.	Baterie defectă	Adresați-vă distribuitorului.

Transportul, depozitarea și eliminarea

Transportul și depozitarea

- Bateriile cu ioni de litiu furnizate respectă cerințele legislației privind bunurile periculoase.
- Respectați cerințele speciale de pe ambalaj și etichete privind transportul comercial, inclusiv cele emise de către terțe părți și companiile de expediție.
- Discutați cu o persoană care a beneficiat de instruire specială privind materialele periculoase înainte de a trimite produsul. Respectați toate reglementările naționale aplicabile.
- Aplicați bandă adezivă pe contactele expuse atunci când introduceți bateria într-un pachet. Bateria trebuie ambalată astfel încât să nu se poată deplasa în interiorul pachetului.
- Lăsați întotdeauna mașina să se răcească înainte de a o depozita.
- La depozitare și la transport, scoateți întotdeauna bateria.
- Puneți bateria și încărcătorul de baterii într-un spațiu uscat și ferit de umezeală și îngheț.
- Nu păstrați bateria într-un loc în care poate apărea electricitate statică. Nu depozitați bateria într-o cutie metalică.
- Depozitați bateria la temperaturi între 5°C (41°F) și 25°C (77°F), într-un loc ferit de radiațiile solare directe.
- Depozitați încărcătorul de baterii la temperaturi între 5°C (41°F) și 45°C (113°F), într-un loc ferit de radiațiile solare directe.
- Utilizați încărcătorul de baterii numai la temperaturi ambiante cuprinse între 5°C/41°F și 40°C/104°F.
- Încărcați bateria în proporție de 30 % - 50 % înainte de a o depozita pe o perioadă lungă.
- Depozitați încărcătorul de baterii într-un spațiu închis și uscat.
- Nu depozitați bateria lângă încărcătorul bateriei. Nu lăsați copii și alte persoane neautorizate să atingă

echipamentul. Păstrați echipamentul într-un spațiu pe care îl puteți încuia.

- Curățați produsul și efectuați un service complet înainte de a depozita produsul pentru o perioadă lungă de timp.
- Utilizați apărătoarea de transport pe produs pentru a preveni accidentarea sau deteriorarea produsului în timpul transportului și depozitării.
- Fixați foarte bine produsul în timpul transportului.

Eliminarea bateriei, încărcătorului acesteia și a produsului

Simbolul de mai jos înseamnă că produsul nu poate fi tratat ca reziduu menajer. Reciclați la un centru de

reciclare pentru echipamente electrice și electronice. Această măsură ajută la protejarea mediului și a oamenilor.

Contactați autoritățile locale, centrul de colectare a reziduurilor menajere sau distribuitorul pentru mai multe informații.



Nota: Simbolul apare pe produs sau pe ambalajul produsului.

Date tehnice

Date tehnice

	120iBV
Motor	
Tip de motor	BLDC (fără perii) de 36 V
Greutate	
Greutate fără baterie, kg	4,6
Emisii de zgomot ²²	
Nivel de putere acustică, măsurat dB(A)	97
Nivel de putere acustică garantat L _{WA} dB(A)	100
Niveluri de zgomot ²³	
Nivel echivalent de presiune acustică la urechea operatorului, măsurat conform EN ISO 11203 și ISO 22868, dB (A):	84
Niveluri de vibrații ²⁴	
Nivelurile de vibrații la mânerele din față/spate, măsurate în conformitate cu ISO 22867, m/s ²	1,4/1,7
Performanța ventilatorului	
Debitul de aer în modul normal cu duză standard, m ³ /min	6,7
Viteza maximă a aerului în modul normal cu duză standard, m/s sau mile/h	50/111

²² Emisiile de zgomot în mediu măsurate ca putere acustică (L_{WA}) în conformitate cu directiva CE 2000/14/CE. Nivelul de putere a sunetului raportat pentru aparat a fost măsurat cu accesoriul original de tăiere care emite cel mai ridicat nivel. Diferența dintre puterea garantată a sunetului și cea măsurată este aceea că puterea garantată a sunetului include, de asemenea, dispersia în rezultatul de măsurare și variațiile dintre diferitele aparate ale aceluiași model conform Directivei 2000/14/CE.

²³ Datele raportate pentru nivelul echivalent de presiune a sunetului pentru dispozitiv includ o dispersie statistică tipică (deviere standard) de 3 dB (A).

²⁴ Datele raportate pentru nivelul de vibrații prezintă o dispersie statistică tipică (abatere standard) de 1,5 m/s².

Datele privind zgomotul și vibrațiile sunt determinate pe baza turajiei maxime nominale.

Baterii aprobate

Utilizați numai baterii Husqvarna originale 40-B pentru acest produs.

Baterii aprobate

Baterie	40-B140
Tip	Litiu-ion
Capacitate baterie, Ah	4
Tensiune nominală, V	36
Greutate, kg	1,25

Încărcătoare de baterii omologate

Încărcător de baterii	40-C80
Tensiune rețea, V	100-240
Frecvență, Hz	50-60
Putere, W	72
Tensiune de ieșire, V cc/ amperi, A	43/1,6

Declarație de conformitate

Declarație de conformitate UE

Noi, **Husqvarna AB**, SE-561 82 Huskvarna, SUECIA,
tel.: +46-36-146500, declarăm pe propria răspundere, că
produsul:

Descriere	Suflantă/aspirator manual de grădină
Marcă	Husqvarna
Tip/Model	120iBV
Identificare	Numere de serie începând cu 2022

respectă în totalitate următoarele directive și
reglementări UE:

Reglementare	Descriere
2006/42/CE	„privind echipamentele tehnice”
2014/30/UE	„privind compatibilitatea electromagnetică”
2011/65/UE	„privind restricțiile de utilizare a anumitor substanțe periculoase în echipamentele electrice și electronice”
2000/14/CE	„privind emisiile de zgomot în mediul înconjurător”

și că au fost aplicate următoarele
standarde și/sau specificații tehnice: EN
60335-1:2012+A11+A13+A14+A2+A15, EN
50636-2-100:2014, EN IEC 63000:2018, EN ISO
12100:2010, EN IEC 55014-1:2021; EN IEC
55014-2:2021

În conformitate cu Directiva 2000/14/CE, anexa V,
consultați *Date tehnice la pagina 150* pentru valorile de
sunet declarate.

Huskvarna, 2023-01-16



Claes Losdal, Manager Cercetare și dezvoltare,
Husqvarna AB

Responsabil pentru documentația tehnică

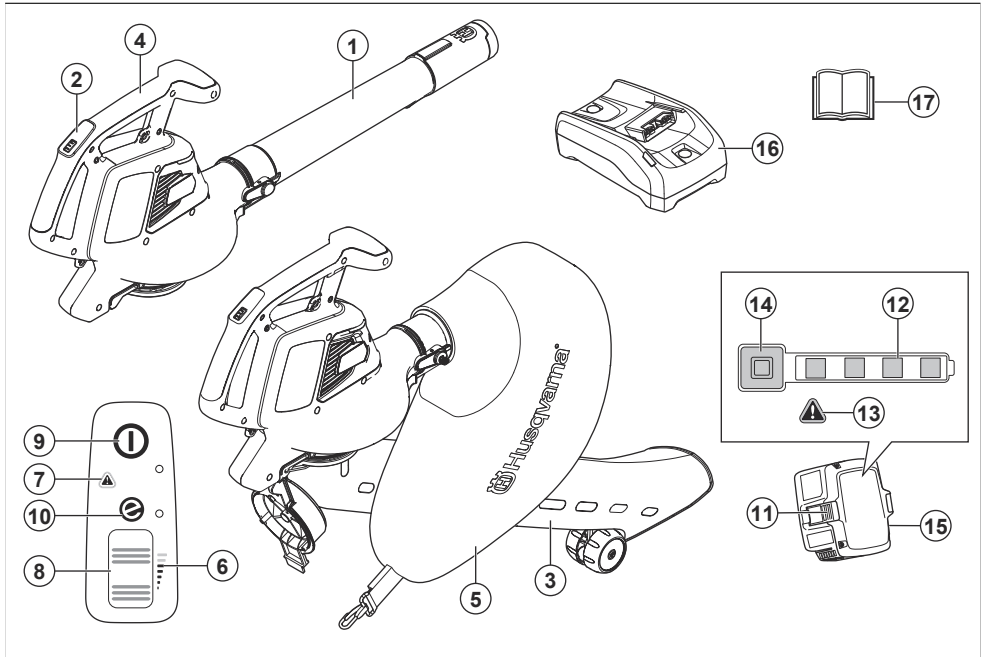


Contenido

Introducción.....	153	Resolución de problemas.....	166
Seguridad.....	155	Transporte, almacenamiento y eliminación.....	167
Montaje.....	160	Datos técnicos.....	168
Funcionamiento.....	162	Declaración de conformidad.....	170
Mantenimiento.....	165		

Introducción

Descripción del producto



- 1. Tubo del soplador
- 2. Teclado
- 3. Tubo de aspiración
- 4. Asa
- 5. Bolsa de recogida
- 6. Indicador de caudal de aire
- 7. Indicador de advertencia (LED de error)
- 8. Control de potencia
- 9. Interruptor de encendido/apagado
- 10. Indicador de modo Save
- 11. Botón para extraer la batería
- 12. Estado de la batería
- 13. Indicador de advertencia (LED de error)
- 14. Indicador de alimentación y advertencia
- 15. Batería, incluida solo en el kit de soplador Husqvarna120iBV
- 16. Cargador de batería, incluido solo en el kit de soplador Husqvarna120iBV
- 17. Manual de usuario

Descripción del producto

Husqvarna 120iBV es un modelo de soplador/aspirador de jardín con motor eléctrico.

Trabajamos constantemente para perfeccionar nuestros productos y nos reservamos, por lo tanto, el derecho de introducir modificaciones en la construcción y el diseño sin previo aviso.

Uso previsto

Modo soplador: El soplador se ha diseñado para expulsar partículas de suciedad o recortes de hierba de caminos, vías de acceso, patios, etc. También está diseñado para soplar recortes de hierba, paja u hojas a fin de apilarlos o para eliminar partículas de suciedad de esquinas, juntas o huecos entre azulejos o ladrillos.

Modo aspirador: El aspirador está diseñado para aspirar material seco como hojas, hierba, ramitas pequeñas y trozos de papel entre otros.

Símbolos que aparecen en el producto



ADVERTENCIA: Este producto puede ser peligroso y ocasionar daños graves o mortales tanto al usuario como a cualquier otra persona. Tenga cuidado y utilice el producto correctamente.



Lea atentamente el manual de usuario y asegúrese de que entiende las instrucciones antes de utilizar este producto.



Utilice protección ocular homologada.



Tensión nominal, V



Corriente continua.



Etiqueta de emisiones sonoras al medio ambiente conforme con las directivas y normativas europeas y del Reino Unido, y con la regulación de 2017 sobre de protección del medioambiente (control de ruidos) (Protection of the Environment Operations - Noise Control) de la legislación de Nueva Gales del Sur. El nivel de potencia acústica garantizado del producto se especifica en el apartado *Datos técnicos en la página 168* y en la etiqueta.



Desconecte la batería antes de realizar cualquier trabajo de mantenimiento.



Ni el producto ni su embalaje son residuos domésticos. Recíclelos en un centro de reciclaje para equipos eléctricos y electrónicos.



El producto cumple con las directivas CE vigentes.



Este producto cumple con las directivas del Reino Unido vigentes.



No exponer a la lluvia.



Después de apagar el producto, espere hasta que se detengan las palas del rotor.



Utilice el producto en modo aspirador solo si el tubo está completamente montado.



El usuario del soplador de hojas debe asegurarse de que ninguna persona ni animal se acerque a menos de 15 metros. Cuando haya varios operarios trabajando en el mismo lugar, la distancia de seguridad entre ellos debe ser de 15 metros. El soplador de hojas puede hacer que salgan despedidos objetos con mucha fuerza que pueden rebotar. Si no se utiliza el equipo de seguridad recomendado, se pueden producir daños oculares graves.



aaaa ssxxxx

En la placa de características técnicas se indica el número de serie. **aaaa** es el año de producción y **ss** indica la semana de producción.

Nota: Los demás símbolos o etiquetas que aparecen en el equipo corresponden a requisitos de homologación específicos en determinados mercados.

Símbolos que aparecen en la batería o en el cargador de la batería



Recicle el producto en un centro de reciclaje para equipos eléctricos y electrónicos. (Aplicable solo para Europa)



Transformador a prueba de fallos.



Utilice y guarde el cargador de baterías únicamente en interiores.



Doble aislamiento.

Fabricante

Husqvarna AB

Drottninggatan 2, SE-561 82 Huskvarna

Daños en el producto

No nos hacemos responsables de los daños que pueda sufrir el producto si:

- El producto se ha reparado incorrectamente.
- El producto se ha reparado con piezas que no eran del fabricante o no autorizadas por el fabricante.
- El producto tiene un accesorio que no es del fabricante o no está autorizado por este.
- El producto no se ha reparado en un centro de servicio autorizado o por un organismo homologado.

Seguridad

Definiciones de seguridad

Las advertencias, precauciones y notas se utilizan para destacar información especialmente importante del manual de usuario.



ADVERTENCIA: Indica un riesgo de lesiones o incluso de muerte del usuario o de las personas cercanas si no se respetan las instrucciones del manual.



PRECAUCIÓN: Indica un riesgo de daños en el producto o en el accesorio, otros materiales o el área adyacente si no se respetan las instrucciones del manual.

Nota: Se usa para proporcionar más información necesaria en una situación determinada.

Instrucciones generales de seguridad



ADVERTENCIA: Lea las siguientes instrucciones de advertencia antes de utilizar el producto.

- Lea atentamente las instrucciones para conocer los controles y el funcionamiento correcto de la máquina. El uso incorrecto o negligente del producto puede convertirlo en una herramienta peligrosa y causar daños graves, incluso mortales tanto al usuario como a las personas que se encuentren cerca.
- Bajo ninguna circunstancia debe modificarse la configuración original del producto sin autorización del fabricante. No utilice nunca un producto que haya sido modificado de modo que ya no

coincida con la configuración original y utilice siempre accesorios originales. Las modificaciones o los accesorios no autorizados pueden ocasionar accidentes graves o incluso la muerte del operario o de terceros. Su garantía no cubre daños o responsabilidades provocadas por la utilización de accesorios o piezas de repuesto no autorizados.

- Este producto genera un campo electromagnético durante el funcionamiento. Este campo magnético puede, en determinadas circunstancias, interferir con implantes médicos activos o pasivos. Para reducir el riesgo de que se den condiciones que provocarían lesiones graves o letales, las personas que utilizan implantes médicos deben consultar con su médico y con el fabricante del implante antes de utilizar este producto.
- Retire la batería del producto durante la carga.

Advertencias generales de seguridad relacionadas con la herramienta eléctrica

Comprobación previa

- Inspeccione la zona de trabajo. Quite todos los objetos sueltos, como piedras, cristales rotos, clavos, alambres, cordones, etcétera, que puedan salir despedidos.
- No olvide extraer la batería para evitar que la máquina se arranque accidentalmente. No olvide desconectar la batería antes de realizar cualquier tarea de mantenimiento de la máquina.
- Antes de usar la máquina, y después de cualquier impacto, compruebe que no hay signos de desgaste o daños y, si fuera necesario, repárela.
- Utilice únicamente piezas de repuesto originales.
- El usuario de la máquina debe asegurarse de que ninguna persona o animal se acerquen a menos

de 15 metros durante el trabajo. Si varios usuarios trabajan en el mismo lugar, la distancia de seguridad debe equivaler, por lo menos, a 15 metros.

- Antes de utilizar la máquina, realice una inspección general. Consulte el programa de mantenimiento.
- El uso podría estar regulado por los reglamentos nacionales o locales. Observe los reglamentos indicados.

Seguridad personal

- **Cuando maneje una herramienta eléctrica, esté siempre atento, fíjese en lo que está haciendo y utilice el sentido común. No utilice herramientas eléctricas si está cansado o bajo los efectos de estupefacientes, alcohol o medicamentos.** Un momento de descuido mientras se trabaja con herramientas eléctricas puede causar lesiones graves.
- Mantenga alejados a los transeúntes.
- Este aparato no debe ser utilizado por personas (incluidos niños) con habilidades físicas, sensoriales o mentales reducidas, o con falta de experiencia y conocimientos, a menos que lo hagan con supervisión o reciban instrucción en relación con el uso del aparato por parte de una persona responsable de su seguridad. Debe vigilarse a los niños para asegurarse de que no juegan con el aparato.
- No permita que niños ni adultos que no estén familiarizados con estas instrucciones utilicen el producto. La legislación local puede restringir la edad del usuario.
- Mantenga alejados a los terceros. Los niños, animales, curiosos y ayudantes deben mantenerse fuera de la zona de seguridad de 15 metros (50 pies). Pare la máquina inmediatamente si alguien se acerca.
- Guarde el equipo en un lugar seguro fuera del alcance de los niños y las personas no autorizadas.
- No use la máquina en una superficie de grava o con un pavimento en el que el material pueda salir despedido y provocar lesiones.
- Lleve siempre pantalón largo y un calzado resistente mientras usa la máquina. No use la máquina descalzo o con sandalias abiertas. Evite usar ropa holgada o que tenga cordones o cintas.
- No lleve ropa holgada ni joyas que pudieran ser absorbidos por la toma de aire. Si tiene el cabello largo, manténgalo alejado de las tomas de aire.
- Nunca utilice la máquina si está cansado, si ha ingerido alcohol o si toma medicamentos que puedan afectarle la vista, su capacidad de discernimiento o la coordinación.
- Utilice el equipo de protección individual. Consulte las instrucciones del apartado "Equipo de protección individual".
- No olvide extraer la batería cuando vaya a pasar la máquina a otra persona.

- Tenga en cuenta que es usted, como usuario, el responsable de no exponer a otras personas ni a su propiedad a riesgos o accidentes.

Uso y cuidado de la herramienta eléctrica

- No utilice nunca una máquina que haya sido modificada de modo que ya no coincida con la configuración original. No utilice nunca la máquina cerca de materiales explosivos o inflamables.
- No utilice nunca una máquina defectuosa. Lleve a cabo las comprobaciones de seguridad y siga las instrucciones de mantenimiento y servicio de este manual. Algunas medidas de mantenimiento y servicio deben ser efectuadas por especialistas formados y cualificados. Consulte las instrucciones en el título Mantenimiento.
- Utilice únicamente piezas de repuesto originales.
- Asegúrese de que las aberturas de ventilación no presentan en ningún momento residuos.
- Todas las tapas, protecciones y mangos deben estar montados antes de arrancar la máquina.
- Utilice la máquina únicamente con la luz del día o en áreas con buena iluminación.
- No utilice la máquina en condiciones climáticas desfavorables, como niebla, lluvia, humedad, lugares mojados, viento fuerte, frío intenso, posibilidad de rayos, etc. El tiempo extremadamente cálido puede hacer que la máquina se recaliente. Trabajar con mal tiempo es extenuante y puede generar condiciones peligrosas como, por ejemplo, un suelo resbaladizo.
- Si la máquina arranca con vibraciones anómalas, deténgala y extraiga la batería.
- Camine, en ningún caso corra.

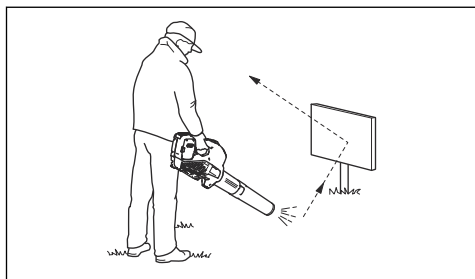
Instrucciones de seguridad para el funcionamiento



ADVERTENCIA: Lea las siguientes instrucciones de advertencia antes de utilizar el producto.

- Si se encuentra en una situación en la que no está seguro de cómo proceder, consulte a un experto. Póngase en contacto con su distribuidor o taller de servicio. Evite todo uso para el que no se sienta suficientemente cualificado.
- Compruebe que pueda caminar y mantenerse de pie con seguridad. Examine la zona a su alrededor en busca de posibles obstáculos (raíces, piedras, ramas, zanjas, etc.) en caso de que tenga que moverse rápidamente. Proceda con sumo cuidado al trabajar en terreno inclinado.
- Asegúrese de que mantiene una postura equilibrada y estable, con los pies firmemente apoyados en el suelo, en todo momento. No se estire demasiado.

- Cuando use protectores auriculares, preste siempre atención a las señales o llamadas de advertencia. Qúitese siempre los protectores auriculares en cuanto se detenga el motor del producto.
- No utilice el producto cerca de una ventana abierta.
- Sea considerado con las personas en las proximidades y no utilice el producto a horas inadecuadas, por ejemplo a última hora de la tarde o muy temprano por la mañana. Cumpla las normativas locales.
- Utilice el producto con el menor caudal de aire posible. El caudal de aire máximo se requiere en casos muy excepcionales; la mayoría de las tareas pueden realizarse con la mitad del caudal. Un caudal de aire más bajo implica menos ruido y polvo. Además, se obtiene un mejor control de la basura que se desea agrupar o mover.
- Cuando utilice el producto en condiciones de polvo, humedadza ligeramente la superficie.
- Utilice un rastrillo o una escoba para aflojar basura adherida al suelo.
- Mantenga la boca del soplador lo más cerca posible del suelo.
- Preste atención a su entorno: No dirija el producto hacia personas, animales, parques infantiles, automóviles, etc.
- Reduzca al mínimo el tiempo de soplado humedeciendo ligeramente las zonas con polvo o utilizando un pulverizador.
- Controle la dirección del viento. Trabajar en la dirección del viento facilita el trabajo.
- Detenga el producto si empieza a vibrar de manera anómala y extraiga la batería.
- Utilizar el soplador de hojas para mover grandes pilas de basura/hojas causa un ruido innecesario.
- Deje el lugar limpio después de trabajar. Asegúrese de no soplar residuos hacia terrenos ajenos.
- No corra con el producto.
- La fuerte corriente de aire puede mover objetos a gran velocidad, haciéndolos rebotar y causando heridas graves en los ojos.
- Mantenga todas las partes del cuerpo alejadas de las superficies calientes.
- No apoye nunca el producto con el motor en marcha sin tenerlo bajo control.
- Pare el producto y retire la batería. Asegúrese de que todas las piezas móviles se han detenido por completo:
 - siempre que deje la máquina inatendida,
 - antes de limpiar obstrucciones o desatascar el conducto de descarga,
 - antes de comprobar, limpiar o trabajar en la máquina.
- Apague inmediatamente la fuente de alimentación y deje que la máquina se detenga si el mecanismo de corte golpea cualquier objeto extraño o si la máquina empieza a emitir algún ruido o vibración inusuales. Desconecte la batería de la máquina y siga estas instrucciones antes de volver a poner en marcha la máquina y utilizarla de nuevo:
 - compruebe si hay daños,
 - sustituya o repare las piezas dañadas,
 - compruebe si hay piezas sueltas y apriételas.
- En caso de obstrucción de la máquina, apague la fuente de alimentación y desconecte la batería antes de limpiar el material no deseado.
- No transporte la máquina mientras la fuente de alimentación esté en marcha.
- No recline la máquina mientras la fuente de alimentación esté en marcha.
- El soplador no se debe utilizar mientras se está subido en escaleras ni andamios.



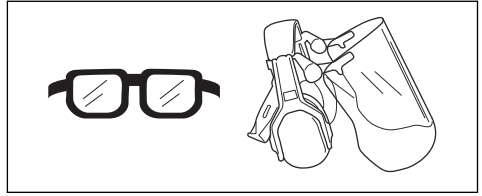
- No dirija el chorro de aire hacia personas ni animales.
- Detenga el motor antes de montar o desmontar los accesorios u otros componentes.



- No use el producto a no ser que sea capaz de pedir ayuda en caso de accidente.
- Cuidado con los objetos que salen despedidos. La máquina puede despedir piedras, basura, etc. contra los ojos y causar ceguera o heridas graves.
- Utilice un interruptor diferencial (RCD) para aumentar la seguridad mientras se carga el producto. Se ha incorporado un interruptor diferencial para proteger al usuario en caso de fallo eléctrico.
- Este producto es conocido por su bajo nivel de vibraciones. La sobreexposición a las vibraciones puede provocar daños circulatorios y nerviosos, especialmente en personas con problemas de

circulación. Acuda a un médico si nota síntomas corporales que puedan relacionarse con la sobreexposición a las vibraciones. Ejemplos de estos síntomas son: entumecimiento, pérdida de sensibilidad, hormigueo, punzadas, dolor, pérdida o reducción de la fuerza normal, y cambios en el color o la superficie de la piel. Estos síntomas se presentan normalmente en dedos, manos y muñecas.

- Utilice el producto solamente para el uso al que está destinado.
- Es imposible abarcar todas las situaciones que pueden darse. Utilice siempre el equipo con cuidado y sentido común. Evite todas aquellas situaciones que considere que sobrepasan sus capacidades. Si, después de leer estas instrucciones, no está seguro del procedimiento que debe seguir, consulte a un experto antes de continuar.



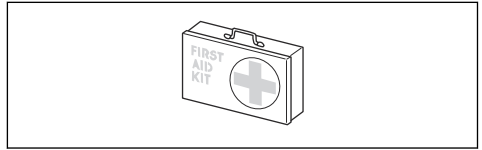
- Use indumentaria de material resistente. Use siempre pantalones largos y gruesos, y mangas largas. No lleve ropa suelta que pueda quedar atrapada en los arbustos y ramas. No trabaje con joyas, pantalones cortos, sandalias ni los pies descalzos. Recójase el pelo por encima de los hombros.
- Mantenga el equipo de primeros auxilios cerca.

Equipo de protección individual



ADVERTENCIA: Lea las siguientes instrucciones de advertencia antes de utilizar el producto.

- Para trabajar con el producto, debe utilizar siempre un equipo de protección individual homologado. El equipo de protección individual no elimina completamente el riesgo de lesiones, pero reduce la gravedad de estas en caso de accidente. Deje que el distribuidor le ayude a seleccionar el equipo adecuado.
- La exposición prolongada al ruido puede causar daños en el oído. En general, los productos con batería son relativamente silenciosos, pero pueden causar daños debido al nivel de ruido y a un uso prolongado, recomienda que los operarios utilicen protectores auriculares al trabajar con el producto durante varias horas al día. Los usuarios que trabajen de forma continua y frecuente con el producto deben someterse a chequeos auditivos con carácter periódico. Tenga en cuenta que los protectores auriculares reducen la capacidad de oír sonidos y señales de advertencia.



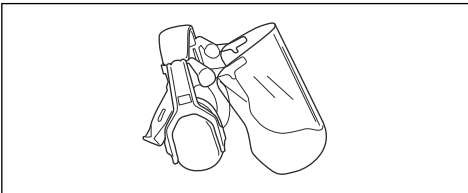
- Utilice mascarilla respiratoria si hay riesgo de que se levante polvo.

Dispositivos de seguridad en el producto



ADVERTENCIA: Lea las siguientes instrucciones de advertencia antes de utilizar el producto.

- En este apartado se describen los componentes de seguridad del producto, su función y el modo de efectuar el control y el mantenimiento para garantizar un funcionamiento óptimo. Consulte las instrucciones del apartado *Descripción del producto en la página 153* para conocer dónde se encuentran estas piezas en el producto.
- La vida útil del producto puede acortarse y el riesgo de accidentes puede aumentar si el mantenimiento no se hace de forma adecuada y si los trabajos de servicio y reparación no se efectúan de forma profesional. Si necesita más información, solicítela al distribuidor de su zona.
- No emplee nunca un producto cuyos componentes de seguridad estén defectuosos. Efectúe la inspección y el mantenimiento del equipo de seguridad del producto tal como se describe en este apartado. Si el producto no supera cualquiera de estas pruebas, póngase en contacto con el taller de servicio para repararlo.
- Todos los trabajos de servicio y reparación del producto requieren una formación especial. Esto es especialmente importante en lo que respecta al equipo de seguridad del producto. Si el producto no pasa alguno de los controles indicados a continuación, acuda a su taller de servicio. La compra de alguno de nuestros productos le garantiza que puede recibir un mantenimiento

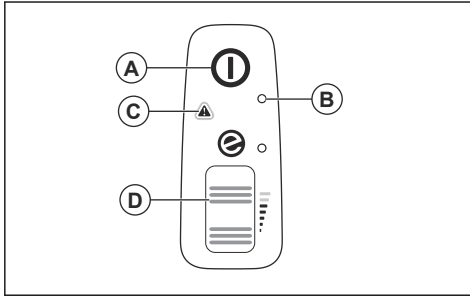


- Utilice protección ocular homologada. Si se utiliza visor, deben utilizarse también gafas protectoras homologadas. Por gafas protectoras homologadas se entiende las que cumplen con la norma ANSI Z87.1 para EE. UU. o EN 166 para países de la UE.

y servicio profesional. Si no ha adquirido el producto en uno de nuestros distribuidores, solicite información sobre el taller de servicio autorizado más cercano.

Comprobación del teclado

1. Mantenga presionado el botón de encendido/apagado (A).



- a) El producto está encendido cuando el indicador LED (B) está iluminado.
 - b) El producto está apagado cuando el indicador LED (B) no está iluminado.
2. Consulte *Interfaz de usuario en la página 166* si el indicador de advertencia (C) está encendido o parpadea.
 3. Presione y suelte el control de potencia (D) para asegurarse de que se mueve con facilidad.

Seguridad de la batería



ADVERTENCIA: Lea las siguientes instrucciones de advertencia antes de utilizar el producto.

- Utilice únicamente las baterías de la serie 40-B recomendadas para el producto. Consulte *Baterías homologadas en la página 169*. Las baterías están encriptadas mediante software.
- Utilice las baterías recargables de la serie 40-B como fuente de alimentación solo para los productos Husqvarna relacionados. Para evitar lesiones, no utilice la batería como fuente de alimentación de otros dispositivos.
- Riesgo de descarga eléctrica. Evite que los terminales de la batería entren en contacto con llaves, tornillos u otros objetos metálicos. Esto puede provocar un cortocircuito en la batería.
- No utilice baterías que no sean recargables.
- No coloque objetos en las ranuras de ventilación de la batería.
- Mantenga la batería lejos de la luz directa del sol, de fuentes de calor o de las llamas. La batería puede provocar quemaduras o quemaduras químicas.
- Mantenga la batería resguardada de la lluvia y la humedad.

- Mantenga la batería lejos de microondas y fuentes de alta presión.
- No intente desmontar o romper la batería.
- Utilice la batería con temperaturas entre -10 °C (14 °F) y 40 °C (104 °F).
- No limpie la batería ni el cargador con agua. Consulte *Para limpiar el producto, la batería y el cargador de la batería en la página 166*.
- No utilice una batería defectuosa o dañada.
- Guarde la batería alejada de objetos metálicos, como clavos, tornillos o joyas.
- Mantenga la batería alejada de los niños.

Seguridad del cargador de batería



ADVERTENCIA: Lea las siguientes instrucciones de advertencia antes de utilizar el producto.

- Existe riesgo de descarga eléctrica o cortocircuito si no se siguen las instrucciones de seguridad.
- No utilice cargadores de batería diferentes al suministrado con su producto. Utilice únicamente cargadores 40-C80 para cargar las baterías Husqvarna 40-B140 de repuesto. Consulte *Cargadores de batería homologados en la página 169* y *Baterías homologadas en la página 169*.
- No intente desmontar el cargador de batería.
- No utilice un cargador de batería defectuoso o dañado.
- No levante el cargador de batería tirando del cable de alimentación. Para desconectar el cargador de batería de la toma de corriente, tire del enchufe. No tire del cable de alimentación.
- Mantenga todos los cables y cables de extensión, alejados del agua, el aceite y los bordes afilados. Proceda con cuidado para evitar que el cable se enganche en objetos como puertas, vallas o similares.
- No utilice el cargador de batería cerca de materiales inflamables o corrosivos. Asegúrese de que el cargador de batería no está cubierto. Desenchufe el cargador de batería si produce humo o se incendia.
- Cargue la batería solo en interiores, en un lugar con buena ventilación y lejos de la luz solar directa. No cargue la batería en el exterior. No cargue la batería en un entorno húmedo.
- Utilice solamente el cargador de batería a temperaturas entre 5 °C (41 °F) y 40 °C (104 °F). Utilice el cargador en un entorno ventilado, seco y sin polvo.
- No cubra las ranuras de ventilación del cargador.
- Evite que los terminales del cargador de batería entren en contacto con objetos metálicos: pueden cortocircuitar el cargador.
- Utilice tomas de corriente homologadas y que estén en buen estado. Asegúrese de que el cable del

cargador de batería no esté dañado. Si utiliza cables de extensión, asegúrese de que no estén dañados.

Instrucciones de seguridad para el mantenimiento



ADVERTENCIA: Lea las instrucciones de advertencia siguientes antes de realizar el mantenimiento del producto.

- Cuando se detenga la máquina para realizar tareas de mantenimiento, comprobaciones, cambiar un accesorio o para guardarla, deje que se enfríe. Realice el mantenimiento de la máquina con cuidado y manténgala limpia.
- Retire la batería antes de realizar tareas de mantenimiento, otras comprobaciones o montar el producto.
- El usuario debe realizar exclusivamente las labores de servicio y mantenimiento indicadas en este

manual. Póngase en contacto con su taller de servicio autorizado para las tareas de mantenimiento y reparaciones más importantes.

- Mantenga bien apretados todos los pernos, tuercas y tornillos para asegurarse de que el producto está en condiciones de uso seguras.
- Sustituya las piezas desgastadas o deterioradas.
- Si no se realiza el mantenimiento, el ciclo de vida del producto disminuye y aumenta el riesgo de accidentes.
- Para realizar todas las labores de servicio y mantenimiento, especialmente en los dispositivos de seguridad en el producto, es necesaria una formación especial. Si la máquina no supera todas las comprobaciones de este manual de usuario después del mantenimiento, póngase en contacto con el taller de servicio local autorizado. Le garantizamos que realizarán reparaciones y mantenimiento profesionales en su producto.
- Utilice únicamente piezas de repuesto originales.

Montaje

Modo soplador



ADVERTENCIA:

Las palas del rotor pueden producir cortes si el producto se arranca de forma accidental. Antes de montar el producto, retire la batería y espere hasta que se detengan las palas del rotor.



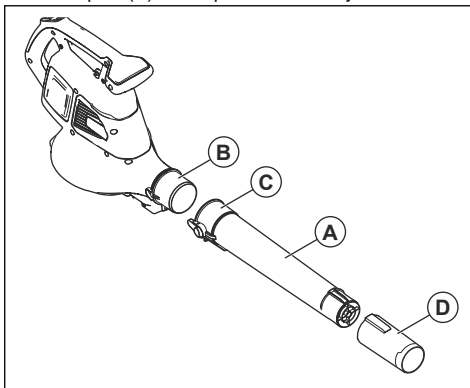
ADVERTENCIA:

Monte completamente el tubo del soplador y la cubierta de la toma de aire antes de utilizar el producto en modo soplador.

Montaje del tubo del soplador

Nota: Si el tubo del soplador no está montado correctamente, un interruptor de seguridad impedirá que el soplador se ponga en marcha.

1. Empuje el tubo (A) sobre la salida del soplador (B). El bloqueo (C) se acopla cuando se oye un clic.

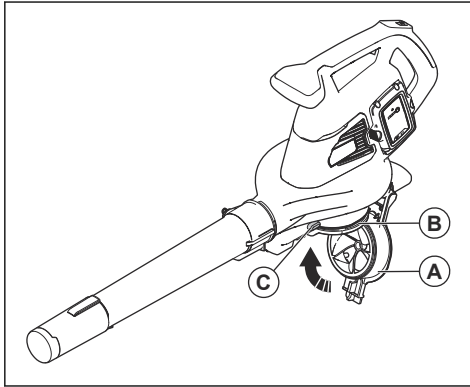


2. Instale la boquilla del soplador (D) en el tubo. La boquilla estará correctamente colocada en su posición cuando se oiga un clic.

Montaje de la cubierta de la toma de aire

Nota: Si la cubierta de la toma de aire no está montada correctamente, un interruptor de seguridad impedirá que el soplador se ponga en marcha.

- Cierre la cubierta de la toma de aire (A) sobre la entrada de aire del soplador (B). El bloqueo (C) se acopla cuando se oye un clic.



Modo aspirador



ADVERTENCIA: Monte completamente el tubo de aspiración y la bolsa de recogida antes de utilizar el producto en modo aspirador.

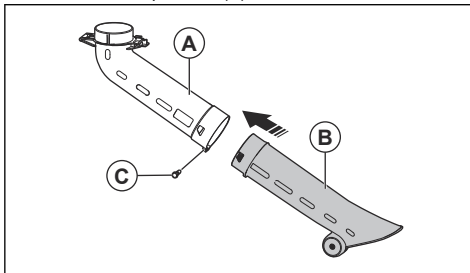
Montaje del tubo del aspirador



ADVERTENCIA: Monte las partes superior e inferior del tubo de aspiración antes de poner en marcha el producto.

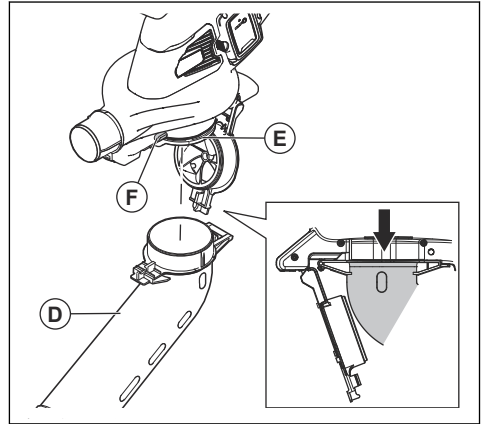
Nota: Si el tubo de aspiración no está montado correctamente, un interruptor de seguridad impedirá que el aspirador se ponga en marcha.

1. Alinee las ranuras de la parte superior del tubo de aspiración (A) con las lengüetas de la parte inferior del tubo de aspiración (B).



2. Presione la parte inferior del tubo de aspiración contra la parte superior del tubo de aspiración hasta que oiga un clic.
3. Apriete el tornillo (C).

4. Monte el tubo de aspiración (D) en la entrada de aspiración (E). El bloqueo (F) se acopla cuando se oye un clic.



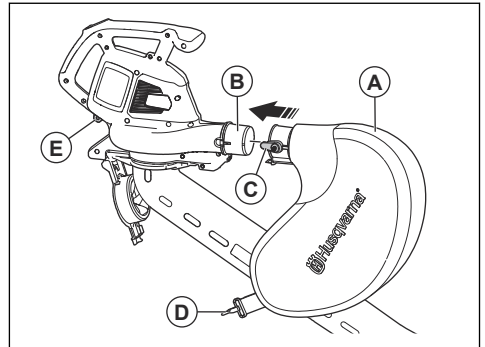
Montaje de la bolsa de recogida

Nota: Si la bolsa de recogida no está montada correctamente, un interruptor de seguridad detendrá el procedimiento de arranque del producto.



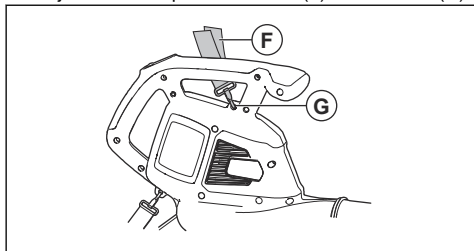
ADVERTENCIA: Apague la máquina antes de colocar o retirar la bolsa.

1. Retire el tubo del soplador si está instalado en el producto.
2. Presione la bolsa de recogida (A) hacia la salida de aspiración (B). El bloqueo (C) se acopla cuando se oye un clic.



3. Fije la correa de la bolsa de recogida (D) con el fiador (E).

4. Sujete la correa para el hombro (F) con el fiador (G).



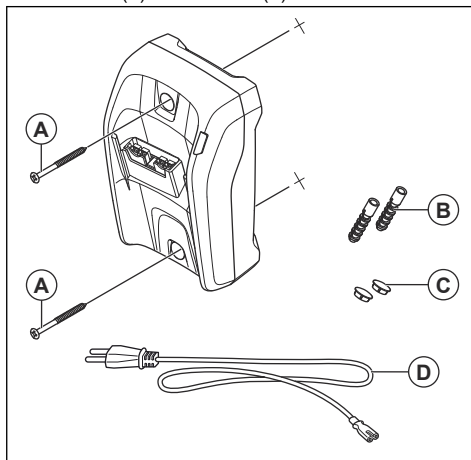
5. Asegúrese de que la bolsa de recogida esté completamente cerrada.

Instalación del cargador de batería en la pared



PRECAUCIÓN: No utilice un destornillador eléctrico para instalar el cargador de batería en la pared, ya que puede provocar daños en el cargador de batería.

1. Instale el cargador de batería en la pared con los 2 tornillos (A). Utilice tacos (B) si es necesario.



2. Instale los 2 tapones en los orificios de los tornillos (C).
3. Conecte el cable de alimentación (D) al cargador de batería y a una toma de corriente.

Funcionamiento

Introducción



ADVERTENCIA: Asegúrese de leer y comprender el capítulo sobre seguridad antes de usar el producto.

Prueba de funcionamiento antes de utilizar el producto

1. Compruebe la toma de aire en busca de suciedad o grietas. Utilice un cepillo y limpie los restos de hierba y hojas del producto.
2. Compruebe que el producto funciona correctamente.
3. Realice una comprobación de todas las tuercas y tornillos y asegúrese de que están apretados.

Batería



ADVERTENCIA: Asegúrese de leer y comprender el capítulo sobre seguridad antes de usar la batería. También debe leer

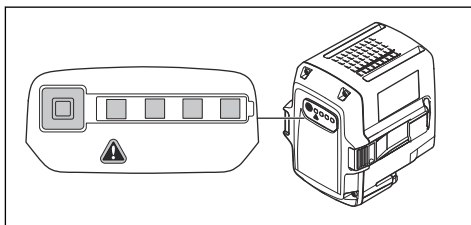
y comprender el manual de usuario de la batería y el cargador de batería.

Mantenga la batería y el cargador de batería en lugares con una temperatura ambiente adecuada.

	Temperatura ambiente
Funcionamiento de la batería	5 °C-40 °C/41 °F-104 °F
Carga de la batería	5 °C-40 °C/41 °F-104 °F

Estado de la batería

El display muestra el estado de carga y si hay algún problema con la batería.



Indicador LED	Estado de carga de la batería
4 testigos LED encendidos	La batería tiene una carga del 76 % al 100 %.
3 testigos LED encendidos	La batería tiene una carga del 51 % al 75 %.
2 testigos LED encendidos	La batería tiene una carga del 26 % al 50 %.
1 testigo LED encendido	La batería tiene una carga del 6 % al 25 %.
1 testigo LED parpadeando	La batería tiene una carga del 0 % al 5 %.

Carga de la batería

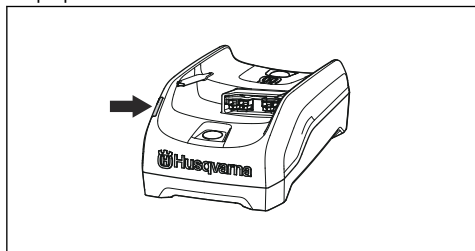
Cargue la batería si es la primera vez que la utiliza. Una batería nueva solo tiene una carga del 30 %.



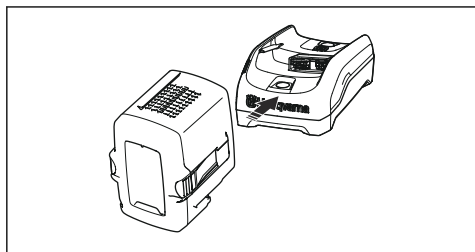
PRECAUCIÓN: Conecte el cargador de batería a una toma de corriente cuya tensión y frecuencia coincidan con los valores indicados en la placa de características técnicas.

La batería no se cargará si su temperatura es superior a 50 °C/122 °F.

1. Conecte el cable de alimentación al cargador de batería.
2. Conecte el cargador de batería a una toma de corriente con conexión a tierra. El LED de carga parpadea una vez.



3. Conecte la batería al cargador. El LED de carga se enciende. Cargue la batería durante un máximo de 24 horas.



4. Pulse el botón del indicador de estado de la batería; si se encienden todos los testigos LED, la batería está completamente cargada.

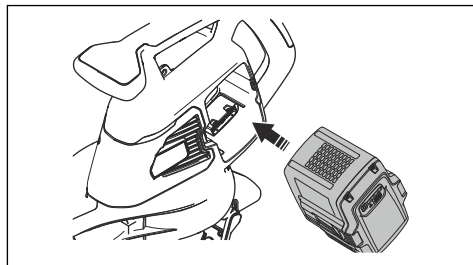
5. Tire del enchufe o del conector para desconectar el cargador de batería de la toma de corriente. No tire del cable de alimentación.
6. Retire la batería del cargador.

Conexión de la batería al producto

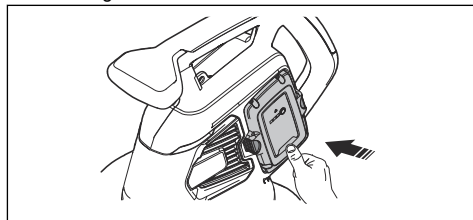


ADVERTENCIA: Utilice solo baterías Husqvarna originales en el producto.

1. Asegúrese de que la batería está completamente cargada.
2. Deslice la batería en el soporte del producto. La batería debe deslizarse fácilmente, si no es así, no la está instalado correctamente.

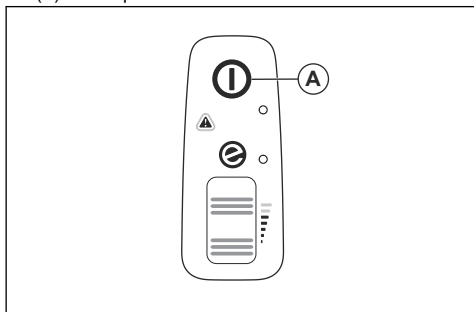


3. Empuje la parte inferior de la batería para introducirla totalmente en su compartimento. La batería quedará fija en su posición cuando se oiga un clic.
4. Asegúrese de que los cierres encajan correctamente en su lugar.

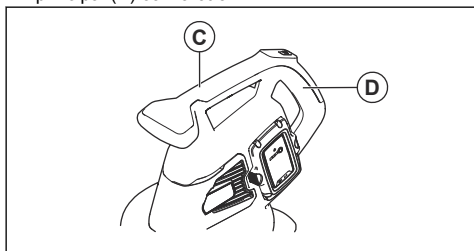


Puesta en marcha del producto

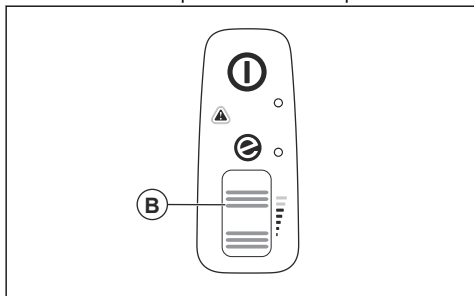
1. Mantenga pulsado el botón de encendido/apagado (A) hasta que el indicador LED verde se encienda.



2. Agarre el asa auxiliar (C) con una mano y el asa principal (D) con la otra.

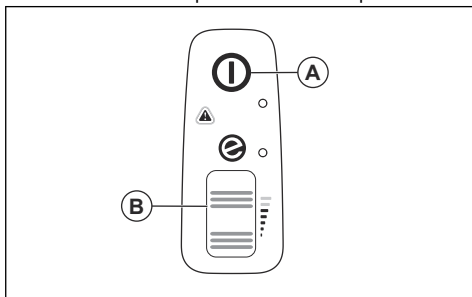


3. Desplace el control de potencia (B) hacia arriba para iniciar el modo soplador o el modo aspirador.



Parada del producto

1. Desplace el control de potencia (B) hacia abajo para detener el modo soplador o el modo aspirador.

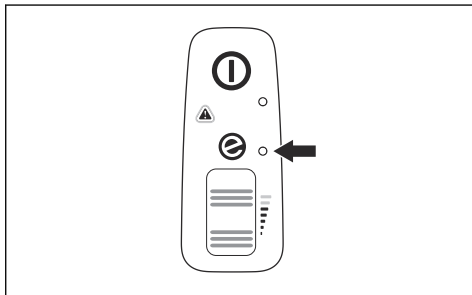


2. Mantenga pulsado el botón de encendido/apagado (A) hasta que el indicador LED verde se apague.

Modo ECO

El modo ECO aumenta la vida útil de la batería.

- Mueva el control de potencia hacia abajo para iniciar el modo ECO. Cuando se activa el modo ECO, se enciende el indicador LED.



- Desplace el control de potencia hacia arriba para iniciar el modo normal. El indicador LED se apaga cuando se activa el modo normal.

Vaciado de la bolsa de recogida



ADVERTENCIA:

Los objetos afilados pueden provocar heridas. No introduzca las manos en la bolsa de recogida cuando la vacíe.

1. Pare el producto.
2. Extraiga la bolsa de recogida.
3. Vuelva la bolsa de recogida del revés y retire los objetos aspirados.
4. Lave la bolsa de recogida con una manguera.
5. Deje que la bolsa de recogida se seque.
6. Monte la bolsa de recogida.

Función de parada automática

El producto cuenta con una función de parada automática que lo detiene si no se está utilizando. El producto se apaga después de 1 minuto.

Mantenimiento

Introducción



ADVERTENCIA: Antes de realizar cualquier trabajo de mantenimiento, debe leer y entender el capítulo sobre seguridad.

Programa de mantenimiento



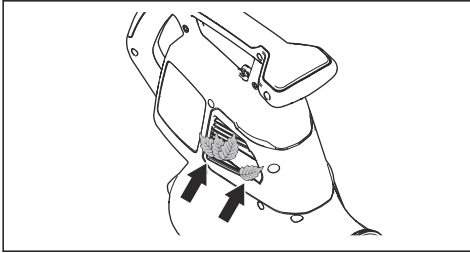
ADVERTENCIA: Extraiga la batería antes de realizar tareas de mantenimiento.

A continuación incluimos una lista con los pasos de mantenimiento que hay que efectuar en el producto.

Mantenimiento	Diario	Semanal	Mensualmente
Limpie la superficie externa con un paño limpio y seco. No utilice agua.	X		
Mantenga las asas secas, limpias y sin aceite ni grasa.	X		
Asegúrese de que el botón de encendido/apagado funcione correctamente y que no esté dañado.	X		
Asegúrese de que el control de potencia funcione correctamente en términos de seguridad.	X		
Compruebe el apriete de las tuercas y los tornillos.	X		
Examine la batería en busca de posibles daños.	X		
	X		
Asegúrese de que los botones de liberación de la batería funcionan correctamente y que esta se acopla al producto.	X		
Examine el cargador de batería en busca de posibles daños y asegúrese de que funciona correctamente.	X		
Examine todos los acoplamientos, conexiones y cables en busca de daños y asegúrese de que no estén sucios.		X	
Compruebe las conexiones entre la batería y la máquina, así como la conexión entre la batería y el cargador.			X
Limpie las ranuras de ventilación con una brocha suave (no utilice un destornillador).	X		
Retire y limpie el tubo del soplador o el tubo de aspiración.	X		
Vacíe y limpie la bolsa de recogida. Consulte <i>Vaciado de la bolsa de recogida en la página 164</i> .	X		
Retire la hierba, las hojas, la suciedad o cualquier material no deseado de la toma de aire y de la cubierta de la toma de aire.	X		
Examine el propulsor del ventilador en busca de suciedad y límpielo si es necesario con un objeto largo y sin filo.	X		

Revisión de la toma de aire

1. Asegúrese de que las tomas de aire de los laterales del producto no estén obstruidas.



2. Detenga el producto y retire las hojas o el material no deseado si es necesario.



PRECAUCIÓN: Una toma de aire obstruida disminuye la capacidad de soplado del producto y aumenta la temperatura de trabajo del motor. Esto

puede provocar el fallo del motor por calentamiento excesivo.

Para examinar la batería y el cargador de la batería

1. Examine la batería en busca de daños, por ejemplo, grietas.
2. Examine el cargador en busca de daños, por ejemplo, grietas.
3. Asegúrese de que el cable de alimentación del cargador de la batería no esté dañado ni agrietado.

Para limpiar el producto, la batería y el cargador de la batería

1. Limpie el producto con un paño seco después de su uso.
2. Limpie la batería y cargador de batería con un paño limpio y seco. Mantenga las guías de la batería limpias.
3. Asegúrese de que los terminales de la batería y del cargador estén limpios antes de colocar la batería en el cargador o en el producto.

Resolución de problemas

Interfaz de usuario

Interfaz de usuario	Posibles errores	Solución posible
El indicador LED rojo de error parpadea.	Desviación de la temperatura.	Deje enfriar el producto.
	Se ha retirado el tubo o la cubierta del ventilador.	Monte el tubo o la cubierta del ventilador.
	Error de la batería.	Sustituya la batería o cárguela.
	Es necesario realizar el mantenimiento.	Acuda a su taller de servicio autorizado.
El producto no se pone en marcha.	Conectores de la batería sucios.	Límpielos con aire comprimido o con un cepillo de cerdas suaves.

Batería

Display LED	Posibles errores	Solución posible
El LED verde parpadea.	Tensión de la batería baja.	Cargue la batería.
El LED de error parpadea.	Desviación de la temperatura.	Utilice la batería con temperaturas entre -10 °C (14 °F) y 40 °C (104 °F).
	Hay demasiada tensión.	Asegúrese de que la tensión de la red eléctrica se corresponde con la del producto. Consulte la placa de características técnicas del producto.
		Retire la batería del cargador.
El LED de error se enciende	Hay demasiada diferencia entre las celdas (1 V).	Acuda a su taller de servicio.

Cargador de batería

Estado	Posibles errores	Procedimiento posible
El LED de carga se enciende en rojo.	Error del cargador de batería.	Póngase en contacto con su distribuidor.
El LED de carga parpadea en verde.	Desviación de la temperatura; la batería está demasiado fría o demasiado caliente para utilizarla o cargarla.	Deje que la batería se enfríe o se caliente. Cuando la batería tenga la temperatura correcta, podrá usarse o cargarse. Utilice el cargador de batería a temperaturas ambiente entre 5 °C y 40 °C (41 °F y 104 °F).
El LED de carga parpadea en rojo.	Batería defectuosa.	Póngase en contacto con su distribuidor.

Transporte, almacenamiento y eliminación

Transporte y almacenamiento

- Las baterías de iones de litio incluidas cumplen los requisitos de la normativa sobre mercancías peligrosas.
- Siga el requisito especial indicado en el paquete y en las etiquetas para el transporte comercial, incluso por terceros y agentes de transporte.
- Hable con alguien con formación especial en materiales peligrosos antes de enviar el producto. Respete todas las normativas nacionales aplicables.
- Cubra con cinta los contactos abiertos cuando ponga la batería en un paquete. Embale bien la batería en el paquete para evitar que se mueva.
- Deje siempre que la máquina se enfríe antes de guardarla.
- Extraiga la batería si va a guardar o transportar el producto.
- Coloque la batería y el cargador en un lugar seco y protegido de la humedad y las heladas.
- No almacene la batería en lugares donde pueda generarse electricidad estática. No guarde la batería en una caja metálica.
- Guarde la batería a una temperatura de entre 5 °C (41 °F) y 25 °C (77 °F), y protegida de la luz directa del sol.
- Guarde el cargador de batería a una temperatura de entre 5 °C (41 °F) y 45 °C (113 °F), y protegido de la luz directa del sol.
- Utilice el cargador de batería solo cuando la temperatura ambiente oscile entre 5 °C (41 °F) y 40 °C (104 °F).

- Cargue la batería entre el 30 % y el 50 % antes de guardarla durante periodos de tiempo prolongados.
- Guarde el cargador de batería en un espacio cerrado y seco.
- Cuando guarde la batería, manténgala alejada del cargador. No permita que los niños ni otras personas no autorizadas toquen el equipo. Guarde el equipo en un lugar que pueda cerrarse con llave.
- Limpie el producto y realice un mantenimiento completo antes de guardarlo durante un periodo de tiempo prolongado.
- Utilice la protección de transporte del producto para evitar lesiones o daños en el producto durante el transporte y almacenamiento.
- Fije el producto firmemente durante el transporte.

en un centro de reciclaje para equipos eléctricos y electrónicos. Esto ayudará a evitar daños al medioambiente y a las personas.

Consulte a las autoridades locales, el servicio de recogida de residuos domésticos o a su distribuidor para obtener más información.



Nota: El símbolo aparece en el producto o el paquete del producto.

Desecho de la batería, el cargador y el producto

El siguiente símbolo significa que el producto no puede desecharse con los residuos domésticos. Recíclelos

Datos técnicos

Datos técnicos

	120iBV
Motor	
Tipo de motor	BLDC (sin escobillas) 36 V
Peso	
Peso sin batería, kg	4,6
Emisiones de ruido ²⁵	
Nivel de potencia acústica medido, dB(A)	97
Nivel de potencia acústica garantizado L _{WA} dB(A)	100
Niveles acústicos ²⁶	
Nivel de presión sonora equivalente en el oído del usuario, medido conforme a EN ISO 11203 e ISO 22868, dB(A):	84
Niveles de vibración ²⁷	
Niveles de vibración en las asas delantera/trasera, medidos conforme a ISO 22867, m/s ²	1,4/1,7

²⁵ Emisiones sonoras en el entorno medidas como potencia acústica (L_{WA}) según la directiva 2000/14/CE. El nivel referido de potencia sonora de la máquina se ha medido con el equipo de corte original que produce el nivel más elevado. La diferencia entre la potencia acústica garantizada y la medida es que la potencia acústica garantizada también incluye en el resultado de la medición la dispersión y las variaciones entre diferentes máquinas del mismo modelo, conforme a la directiva 2000/14/CE.

²⁶ Los datos referidos al nivel de presión sonora equivalente de la máquina tienen una dispersión estadística típica (desviación estándar) de 3 dB(A).

²⁷ Los datos referidos del nivel de vibración poseen una dispersión estadística típica (desviación típica) de 1,5 m/s².

	120iBV
Rendimiento del ventilador	
Caudal de aire en modo normal con boquilla estándar, m ³ /min	6,7
Velocidad máxima del aire en modo normal con boquilla estándar, m/s / mph	50/111

Los datos de vibración y ruido se determinan atendiendo a la velocidad máxima nominal.

Baterías homologadas

Utilice solo baterías 40-B originales de Husqvarna para este producto.

Baterías homologadas

Batería	40-B140
Tipo	Ion-litio
Capacidad de la batería, Ah	4
Tensión nominal, V	36
Peso, kg	1,25

Cargadores de batería homologados

Cargador de batería	40-C80
Tensión de red, V	100-240
Frecuencia, Hz	50-60
Potencia, W	72
Tensión de salida, V CC/ Amperaje, A	43/1,6

Declaración de conformidad

Declaración de conformidad UE

Nosotros, **Husqvarna AB**, SE-561 82 Huskvarna (SUECIA), tel.: +46-36-146500, declaramos bajo nuestra exclusiva responsabilidad que el producto:

Descripción	Soplador/aspirador de mano para jardín
Marca	Husqvarna
Tipo/Modelo	120iBV
Identificación	Números de serie a partir del año 2022

Cumple las siguientes directivas y normas de la UE:

Norma	Descripción
2006/42/CE	"relativa a las máquinas"
2014/30/UE	"relativa a la compatibilidad electromagnética"
2011/65/UE	"relativa a restricciones de utilización de determinadas sustancias peligrosas en aparatos eléctricos y electrónicos"
2000/14/CE	"relativa a las emisiones sonoras en el entorno"

Y que se aplican las especificaciones técnicas o los estándares siguientes:
EN 60335-1:2012+A11+A13+A14+A2+A15, EN 50636-2-100:2014, EN IEC 63000:2018, EN ISO 12100:2010, EN IEC 55014-1:2021; EN IEC 55014-2:2021

Conforme con la directiva 2000/14/CE, Anexo V; consulte *Datos técnicos en la página 168* para conocer los valores de sonido declarados.

Huskvarna, 2023-01-16



Claes Losdal, director de I+D de Husqvarna AB
Responsable de la documentación técnica

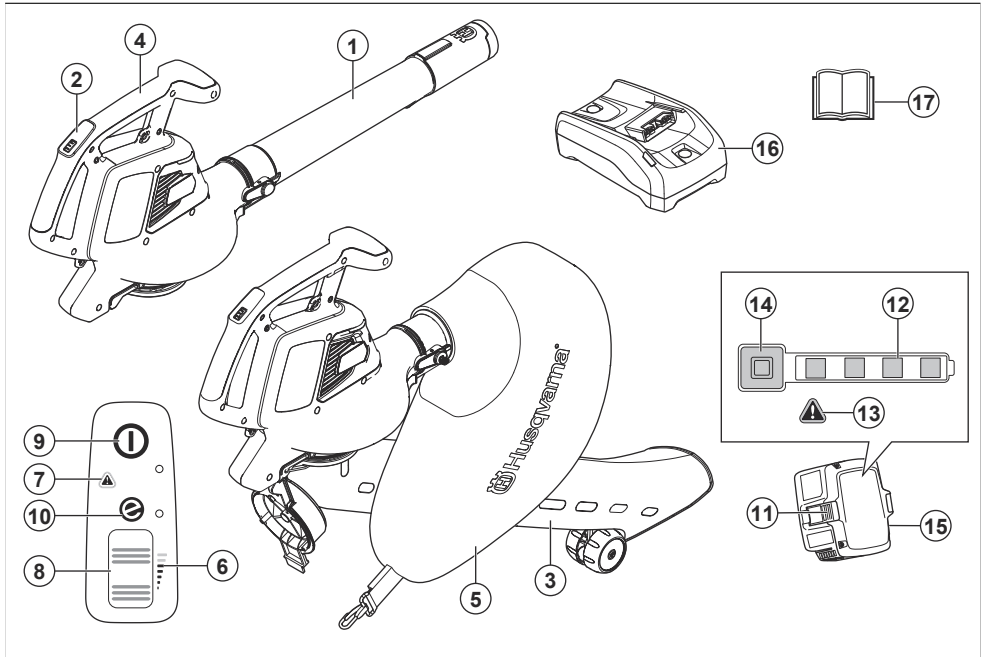


ÍNDICE

Introdução.....	171	Resolução de problemas.....	184
Segurança.....	173	Transporte, armazenamento e eliminação.....	185
Montagem.....	178	Especificações técnicas.....	186
Funcionamento.....	180	Declaração de conformidade.....	188
Manutenção.....	183		

Introdução

Vista geral do produto



1. Tubo do soprador
2. Teclado
3. Tubo de aspiração
4. Punho
5. Saco de recolha
6. Indicador de fluxo de ar
7. Indicador de aviso (LED de erro)
8. Roda motriz
9. Botão Start/Stop
10. Indicador SavE
11. Botão de desengate da bateria
12. Estado da bateria
13. Indicador de aviso (LED de erro)
14. Indicador de potência e aviso
15. Bateria, apenas incluída no kit do soprador 120iBV da Husqvarna
16. Carregador de bateria, incluído apenas no kit do soprador 120iBV da Husqvarna
17. Manual do utilizador

Descrição do produto

O Husqvarna 120iBV é um modelo de soprador/ aspirador de jardim com motor elétrico.

Seguimos uma política de desenvolvimento contínuo dos nossos produtos e, por conseguinte, reservamo-nos o direito de modificar o design e o aspeto dos mesmos, sem aviso prévio.

Finalidade

Modo de sopro: O soprador foi concebido para soprar partículas de sujidade ou aparas de relva e afastá-las de caminhos, acessos, pátios, etc. Foi também concebido para soprar aparas de relva, palha ou folhas de forma a criar pilhas ou para remover as partículas de sujidade em cantos, juntas ou folgas entre azulejos ou tijolos.

Modo de aspiração: O aspirador foi concebido para aspirar materiais secos. Estes incluem folhas, relva, pequenos ramos e pedaços de papel.

Símbolos no produto



AVISO: Este produto pode ser perigoso e provocar ferimentos graves ou a morte do operador ou de terceiros. Seja cuidadoso e utilize o produto corretamente.



Leia o manual do utilizador com atenção e certifique-se de que compreende as instruções antes de utilizar este produto.



Utilize proteção ocular aprovada.

V

Tensão nominal, V



Corrente contínua.



Emissão de ruído para a etiqueta ambiental de acordo com as diretivas e regulamentos da União Europeia e do Reino Unido e o regulamento "Protection of the Environment Operations (Noise Control) Regulation 2017" (regulamento de proteção de operações no meio ambiente [controlo do ruído] de 2017) da Nova Gales do Sul. O nível de potência sonora garantido do produto está especificado nas *Especificações técnicas na página 186* e na etiqueta.



Desligue a bateria antes da manutenção.



O produto ou a respetiva embalagem não são resíduos domésticos. Recicle o equipamento numa estação de reciclagem para equipamentos elétricos e eletrónicos.



O produto está em conformidade com as diretivas CE aplicáveis.



Este produto está em conformidade com os regulamentos aplicáveis do Reino Unido.



Não exponha à chuva.



Aguarde até que as lâminas do rotor parem depois de desligar o produto.



Utilize o produto no modo de aspiração apenas quando o tubo estiver completamente montado.



O utilizador do soprador tem de se certificar de que não se encontra qualquer pessoa ou animal num raio de 15 metros. Se trabalharem vários utilizadores simultaneamente na mesma área, deve existir uma distância de segurança de, pelo menos, 15 metros. O soprador pode arremessar violentamente objetos que podem fazer ricochete. Isso pode levar a graves lesões nos olhos no caso do equipamento de segurança recomendado não ser usado.



aaaa ssxxxx

A etiqueta de tipo apresenta o número de série. **aaaa** é o ano de fabrico, **ss** é a semana de fabrico.

Nota: Os restantes símbolos/autocolantes existentes no acessório dizem respeito a exigências específicas para homologação em alguns países.

Símbolos na bateria e/ou no carregador da bateria



Recicle este produto numa estação de reciclagem para equipamentos elétricos e eletrónicos. (Válido unicamente na Europa)



Transformador contra-falhas.



Utilize e armazene o carregador da bateria apenas em espaços interiores.



Isolamento duplo.

Fabricante

Husqvarna AB

Drottninggatan 2, SE-561 82 Huskvarna

Danos no produto

Não somos responsáveis por danos no nosso produto se:

- o produto tiver sido incorretamente reparado.
- o produto tiver sido reparado com peças que não sejam do fabricante ou que não sejam aprovadas pelo fabricante.
- o produto tiver um acessório que não seja do fabricante ou que não seja aprovado pelo fabricante.
- o produto não tiver sido reparado por um centro de assistência autorizado ou por uma autoridade aprovada.

Segurança

Definições de segurança

Os avisos, as precauções e as notas são utilizados para indicar partes especialmente importantes do manual do utilizador.



ATENÇÃO: Utilizado no caso de existir risco de ferimento ou morte para o utilizador ou transeuntes, se não forem respeitadas as instruções do manual.



CUIDADO: Utilizado se existir risco de danos para o produto e/ou acessório, para outros materiais ou para a área adjacente, se não forem respeitadas as instruções do manual.

Nota: Utilizado para disponibilizar informações adicionais necessárias numa determinada situação.

Instruções de segurança gerais



ATENÇÃO: Leia as instruções de aviso que se seguem antes de utilizar o produto.

- Leia atentamente as instruções para se familiarizar com os controlos e o funcionamento adequado da máquina. A utilização incorreta ou descuidada do produto pode transformá-lo numa ferramenta perigosa que pode causar ferimentos graves, ou mesmo fatais, no operador ou em terceiros.
- Não é permitido modificar, em circunstância alguma, a configuração original do produto sem a autorização expressa do fabricante. Nunca utilize um produto cujas especificações originais

tenham sido alteradas e utilize sempre acessórios originais. A realização de modificações e/ou a utilização de acessórios não autorizados podem provocar ferimentos pessoais graves ou perigo de vida para o utilizador ou terceiros. A garantia pode não abranger responsabilidades ou danos provocados pela utilização de peças de substituição ou acessórios não autorizados.

- Este produto produz um campo eletromagnético durante o funcionamento. Em determinadas circunstâncias, este campo pode interferir com o funcionamento de implantes médicos ativos ou passivos. Para diminuir o risco de condições que podem causar ferimentos ou morte, recomendamos que os portadores de implantes médicos consultem o seu médico e o fabricante do implante antes de utilizar este produto.
- Remova a bateria do produto durante o carregamento.

Avisos gerais de segurança da ferramenta eléctrica

Verificação pré-arranque

- Inspeccione a área de trabalho. Remova objetos soltos tais como pedras, pedaços de vidro, pregos, arame, cordas, etc., que possam ser arremessados.
- Antes de usar a máquina e depois de qualquer impacto, verifique se existem sinais de desgaste ou danos e proceda à reparação, se necessário.
- Utilize sempre peças sobresselentes originais.
- O operador da máquina deve verificar se não se encontra qualquer pessoa ou animal num raio de 15

metros enquanto trabalha. Sempre que trabalhem vários operadores em simultâneo no mesmo local, a distância de segurança deve ser, no mínimo, de 15 metros.

- Antes de utilizar, faça uma inspecção geral à máquina. Consulte o esquema de manutenção.
- A utilização pode estar sujeita a regulamentos nacionais ou locais. Respeite os regulamentos estabelecidos.

Segurança pessoal

- **Mantenha-se alerta, tenha atenção ao que está a fazer e use o bom senso ao operar uma ferramenta eléctrica. Não utilize uma ferramenta eléctrica se estiver cansado ou sob a influência de drogas, álcool ou medicação.** Um momento de desatenção durante o manuseamento de ferramentas eléctricas pode resultar em ferimentos pessoais graves.
- Mantenha as outras pessoas afastadas.
- Esta ferramenta não pode ser utilizada por pessoas (incluindo crianças) com capacidades físicas, sensoriais ou mentais reduzidas, ou falta de experiência e conhecimentos, exceto se sob vigilância ou depois de terem recebido instruções acerca do uso da mesma por parte de alguém responsável pela sua segurança. As crianças devem ser vigiadas para garantir que não brincam com a ferramenta.
- Não permita a utilização do produto por crianças ou pessoas não familiarizadas com estas instruções. As normas locais podem restringir a idade do utilizador.
- Mantenha afastadas as pessoas não autorizadas. As crianças, animais, observadores e ajudantes devem ficar fora do perímetro de segurança de 15 m (50 pés). Pare imediatamente a máquina se alguém se aproximar.
- Armazene o equipamento numa área que possa ser trancada, de modo a mantê-lo fora do alcance de crianças e pessoas não autorizadas.
- Não utilize a máquina em superfícies pavimentadas ou com gravilha onde o material projetado possa provocar ferimentos.
- Ao utilizar a máquina, use sempre calçado forte e calças compridas. Não opere a máquina se estiver descalço ou com sandálias abertas. Evite usar roupas folgadas ou que possuam fios ou laços.
- Não use roupas soltas ou joias que possam ficar presas na entrada de ar. Mantenha o cabelo comprido afastado das entradas de ar.
- Nunca utilize a máquina se estiver cansado, tiver consumido álcool ou estiver a tomar medicação que possa afetar a visão, o discernimento ou a coordenação motora.
- Utilize equipamento de proteção pessoal. Consulte as instruções na secção "Equipamento de proteção pessoal".
- Remova sempre a bateria quando passar a máquina a outra pessoa.

- Esteja consciente de que é você, enquanto operador, o responsável por evitar expor pessoas e bens a situações que possam representar perigo de danos pessoais ou materiais.

Utilização e manutenção de ferramentas eléctricas

- Nunca utilize uma máquina cujas especificações originais tenham sido alteradas. Nunca use a máquina junto a materiais explosivos ou inflamáveis.
- Nunca utilize uma máquina defeituosa. Efectue as verificações de segurança e cumpra as instruções de manutenção e assistência técnica contidas neste manual. Alguns serviços de manutenção e de assistência técnica têm de ser executados por especialistas formados e qualificados. Veja as instruções na secção Manutenção.
- Utilize sempre peças sobresselentes originais.
- Certifique-se sempre de que os orifícios de ventilação não se encontram obstruídos por detritos.
- Todas as coberturas, protecções e punhos têm de estar montados antes da colocação da máquina em funcionamento.
- Utilize a máquina apenas durante o dia ou em condições de boa iluminação.
- Nunca utilize a máquina em más condições meteorológicas, por exemplo, com nevoeiro, chuva, humidade ou em locais húmidos, com ventos fortes, frio intenso e risco de relâmpagos, etc. Condições meteorológicas extremamente quentes podem provocar o sobreaquecimento da máquina. O funcionamento em más condições meteorológicas é cansativo e pode originar condições de perigo, por exemplo, superfícies escorregadias.
- Se a máquina começar a vibrar de forma anormal, pare-a e remova a bateria.
- Caminhe, nunca corra.

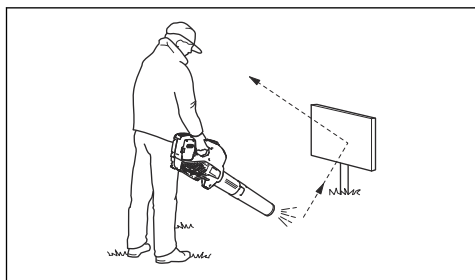
Instruções de segurança para funcionamento



ATENÇÃO: Leia as instruções de aviso que se seguem antes de utilizar o produto.

- Se tiver alguma dúvida relativa ao procedimento a seguir, entre em contacto com um técnico especialista. Dirija-se ao seu distribuidor ou à sua oficina autorizada. Não utilize funções da máquina para as quais não está preparado.
- Certifique-se de que pode andar e estar de pé com segurança. Tenha cuidado com eventuais obstáculos (raízes, pedras, ramos, valas, etc.) em caso de deslocamento inesperado. Tenha muito cuidado ao trabalhar em terreno inclinado.
- Mantenha sempre um bom equilíbrio e os pés bem apoiados. Não se debruce.

- Quando estiver a utilizar protetores acústicos, esteja atento a sinais de aviso ou gritos. Retire sempre os protetores acústicos assim que o produto parar.
- Não utilize o produto perto de janelas abertas.
- Respeite as pessoas ao seu redor evitando utilizar o produto a horas impróprias, por exemplo, a horas avançadas da noite ou no início da manhã. Respeite a legislação e os regulamentos locais.
- Utilize o produto com o mínimo de fluxo de ar possível. Raramente é necessário utilizar o fluxo de ar máximo. Muitos procedimentos de trabalho podem ser efetuados com o fluxo de ar a metade. Um fluxo de ar mais baixo significa menos ruído e menos poeira. Também se torna mais fácil controlar o lixo a recolher/deslocar.
- Em ambientes poeirentos, humedezca ligeiramente a superfície quando utilizar o produto.
- Utilize um ancinho ou uma vassoura para soltar os resíduos colados ao solo.
- Mantenha o bocal do soprador o mais perto possível do solo.
- Observe o espaço à sua volta. Não direcione o produto para pessoas, animais, lugares de recreio, automóveis, etc.
- Minimize o tempo de sopro humedecendo ligeiramente as áreas com muito pó ou utilizando equipamento de pulverização.
- Esteja consciente da direção do vento. Trabalhe a favor do vento para facilitar o seu trabalho.
- Pare o produto e remova a bateria se o produto começar a vibrar de forma anormal.
- O uso do soprador para deslocar grandes montes de lixo é moroso e provoca ruído desnecessário.
- Deixe tudo limpo e arrumado. Certifique-se de que não soprou lixo para propriedades alheias.
- Não corra com o produto.
- A forte corrente de ar pode deslocar objetos a uma grande velocidade, o que pode fazer com que estes façam ricochete, causando graves ferimentos nos olhos.



- Não direcione o fluxo de ar para pessoas ou animais.
- Pare o motor antes de montar ou desmontar acessórios ou outras peças.
- Mantenha todas as partes do seu corpo afastadas de superfícies quentes.

- Nunca pouse o produto enquanto este estiver ativado sem que o tenha bem vigiado.
- Pare a máquina e remova a bateria. Certifique-se de que todas as peças em movimento pararam completamente:
 - sempre que deixar a máquina
 - antes de eliminar obstruções ou de desobstruir o canal
 - antes de verificar, limpar ou trabalhar na máquina
- Desligue imediatamente a fonte de alimentação e deixe a máquina parar se o mecanismo de corte atingir quaisquer objetos desconhecidos ou se a máquina começar a fazer qualquer ruído ou vibração involuntária. Desligue a bateria da máquina e efetue os seguintes passos antes de reiniciar e operar a máquina:
 - verifique se existem danos
 - substitua ou repare as peças danificadas
 - verifique se existem peças soltas e aperte-as
- Desligue a fonte de alimentação e desligue a máquina da bateria antes de limpar quaisquer materiais indesejados, caso a máquina fique obstruída.
- Não transporte esta máquina enquanto a fonte de alimentação estiver a funcionar.
- Não incline a máquina enquanto a fonte de alimentação estiver a funcionar.
- Não é permitido usar o soprador em escadas nem andaimes.



- Não utilize o produto num local em que não seja possível pedir ajuda em caso de acidente.
- Atenção a objetos arremessados. Pedras, lixo, etc., podem ser arremessados contra os olhos e causar cegueira ou ferimentos graves nos olhos.
- Utilize um disjuntor diferencial residual (RCI) para maior segurança quando carregar o produto. Encontra-se instalado um disjuntor diferencial residual para proteger os operadores em caso de falha elétrica.
- Este produto é reconhecido pela sua baixa carga de vibração. A sobre-exposição a vibrações pode levar a lesões arteriais ou nervosas em pessoas com problemas no sistema circulatório. Consulte um médico em caso de sintomas relacionados com a sobre-exposição a vibrações. Estes sintomas podem manifestar-se como torpor, ausência de

sensibilidade, 'côcegas', 'picadelas', dor, falta ou redução de força normal, alterações de cor da pele ou da sua superfície. Estes sintomas surgem normalmente nos dedos, mãos ou pulsos.

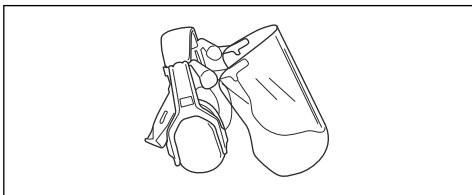
- Utilize o produto apenas para as funções a que o mesmo se destina.
- Não é possível cobrir todas as situações possíveis que poderá enfrentar. Seja sempre cuidadoso e use o senso comum. Evite todas as situações que considere estarem para além das suas capacidades. Caso se sinta inseguro acerca dos procedimentos de operação depois de ler estas instruções, consulte um perito antes de prosseguir.

Equipamento de proteção pessoal

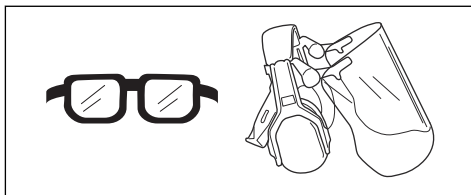


ATENÇÃO: Leia as instruções de aviso que se seguem antes de utilizar o produto.

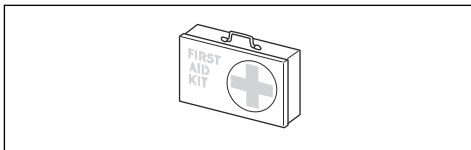
- Utilize sempre equipamento de proteção pessoal aprovado ao utilizar o produto. O equipamento de proteção pessoal não previne totalmente os ferimentos mas diminui a respetiva gravidade em caso de acidente. Obtenha ajuda junto do seu distribuidor para selecionar o equipamento certo.
- A exposição prolongada a ruídos pode provocar danos auditivos. De modo geral, os produtos alimentados a bateria são relativamente silenciosos; porém, podem ocorrer danos resultantes de uma combinação de nível de ruído e utilização prolongada. A recomendação que os utilizadores utilizem protetores acústicos aquando da utilização prolongada de produtos ao longo do dia. Os utilizadores que utilizam contínua e regularmente estes produtos devem efetuar exames regulares à audição. Tenha em atenção que os protetores acústicos limitam a capacidade de ouvir sons e sinais de aviso.



- Utilize proteção ocular aprovada. Mesmo com viseira, é necessário utilizar óculos de proteção aprovados. Consideram-se óculos de proteção aprovados os que estejam conformes com a norma ANSI Z87.1 nos EUA ou EN 166 nos países da UE.



- Utilize vestuário fabricado com um tecido resistente. Utilize sempre calças e mangas compridas grossas. Não utilize vestuário largo que possa ficar preso em galhos e ramos. Não utilize joias, calções, nem ande de sandálias ou descalço. Coloque o seu cabelo acima dos ombros para maior segurança.
- Mantenha equipamentos de primeiros socorros sempre à mão.



- Dado o risco de poeira, deve-se usar uma máscara respiratória.

Dispositivos de segurança no produto



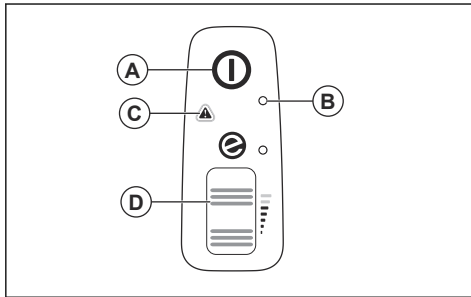
ATENÇÃO: Leia as instruções de aviso que se seguem antes de utilizar o produto.

- Nesta secção, descrevem-se as características de segurança do produto, a sua função e ainda a forma de efetuar a verificação e manutenção para garantir o funcionamento correto do mesmo. Consulte as instruções na secção *Vista geral do produto na página 171* para conhecer a localização destas peças no seu produto.
- Se a manutenção do produto não for devidamente efetuada, e se a assistência e/ou as reparações não forem realizadas por profissionais, a vida útil do produto pode ser afetada e o risco de acidentes pode aumentar. Para obter mais informações, contacte o seu distribuidor local.
- Nunca use um produto com equipamento de segurança defeituoso. O equipamento de segurança do produto tem de ser inspecionado e a sua manutenção feita conforme se descreve nesta secção. Se o produto falhar alguma destas verificações, entre em contacto com uma oficina autorizada para a sua reparação.
- Todos os trabalhos de manutenção e reparação do produto requerem formação especializada. Isto aplica-se especialmente ao equipamento de segurança do produto. Se o produto falhar alguma das verificações que se seguem, é necessário contactar a sua oficina autorizada. A compra de qualquer um dos nossos produtos garante-lhe a obtenção de reparação e assistência profissionais.

Se o local da compra do produto não for um dos nossos revendedores com assistência técnica, solicite a morada da oficina autorizada mais próxima.

Verificar o teclado

1. Mantenha premido o botão de arranque/paragem (A).



- a) O produto está ligado quando o LED (B) se acender.
 - b) O produto está desligado quando o LED (B) está apagado.
2. Consulte *Interface do utilizador na página 184* se o indicador de aviso (C) se acender ou ficar intermitente.
 3. Pressione e liberte a roda motriz (D) para se certificar de que esta se move livremente.

Segurança da bateria



ATENÇÃO: Leia as instruções de aviso que se seguem antes de utilizar o produto.

- Utilize apenas as baterias da série 40-B que recomendamos para o seu produto. Consulte *Baterias aprovadas na página 187*. As baterias contêm software encriptado.
- Utilize a série de baterias recarregáveis 40-B como fonte de alimentação apenas para os produtos Husqvarna relacionados. Para evitar ferimentos, não utilize a bateria como fonte de alimentação para outros produtos.
- Risco de choque elétrico. Não ligue os terminais da bateria a chaves, parafusos ou outros metais. Caso contrário, pode provocar um curto-circuito da bateria.
- Não utilize baterias não recarregáveis.
- Não coloque objetos nas aberturas de ventilação da bateria.
- Mantenha a bateria afastada do sol, calor ou de chamas abertas. A bateria pode causar queimaduras e/ou queimaduras químicas.
- Mantenha a bateria afastada de chuva e condições de humidade.

- Mantenha a bateria afastada de micro-ondas e alta pressão.
- Não tente desmontar ou partir a bateria.
- Utilize a bateria a temperaturas entre -10 °C (14 °F) e 40 °C (104 °F).
- Não limpe a bateria nem o carregador de bateria com água. Consulte *Limpar o produto, a bateria e o carregador da bateria na página 184*.
- Não utilize uma bateria danificada ou com defeito.
- Mantenha as baterias armazenadas afastadas de objetos metálicos como, por exemplo, pregos, parafusos ou jóias.
- Mantenha as baterias afastadas de crianças.

Segurança do carregador de bateria



ATENÇÃO: Leia as instruções de aviso que se seguem antes de utilizar o produto.

- Risco de choque elétrico ou curto-circuito se as instruções de segurança não forem cumpridas.
- Não utilize outros carregadores de baterias que não o fornecido para o seu produto. Utilize apenas carregadores 40-C80 para carregar baterias de substituição Husqvarna40-B140. Consulte *Carregadores de bateria aprovados na página 187* e *Baterias aprovadas na página 187*.
- Não tente desmontar o carregador de bateria.
- Não utilize um carregador de bateria que esteja com defeito ou danificado.
- Não utilize o cabo de alimentação para levantar o carregador de bateria. Para desligar o carregador de bateria de uma tomada elétrica, puxe a ficha. Não puxe o cabo de alimentação.
- Mantenha todos os cabos e cabos de extensão afastados de água, óleo e arestas afiadas. Certifique-se de que o cabo não fica entalado em objetos como, por exemplo, portas, cercas ou objetos equivalentes.
- Não utilize o carregador de bateria próximo de materiais inflamáveis ou materiais que possam provocar corrosão. Certifique-se de que o carregador de bateria não está coberto. Em caso de fumo ou fogo, desligue o carregador de bateria da tomada.
- Carregue a bateria apenas em espaços interiores, com um bom fluxo de ar e sem exposição à luz solar. Não carregue a bateria no exterior. Não carregue a bateria em condições de humidade.
- Utilize apenas o carregador de bateria onde a temperatura se encontrar entre 5 °C (41 °F) e 40 °C (104 °F). Utilize o carregador em ambientes bem ventilados, secos e isentos de poeiras.
- Não coloque objetos nas aberturas de arrefecimento do carregador de bateria.
- Não ligue os terminais do carregador de bateria a objetos metálicos, uma vez que pode provocar um curto-circuito no carregador de bateria.

- Utilize tomadas de parede aprovadas e que não se encontrem danificadas. Certifique-se de que o cabo do carregador de bateria não está danificado. Se forem utilizados cabos de extensão, certifique-se de que os mesmos não estão danificados.

Instruções de segurança para manutenção



ATENÇÃO: Leia as instruções de aviso que se seguem antes de efetuar tarefas de manutenção no produto.

- Quando a máquina for parada para manutenção, examinação, armazenamento ou para mudar um acessório, deixe-a arrefecer antes de realizar quaisquer exames, ajustes, etc. Efetue a manutenção da máquina com cuidado e mantenha-a limpa.
- Retire a bateria antes de efetuar tarefas de manutenção, outras verificações, ou de montar o produto.

- O operador só pode efetuar as tarefas de manutenção e assistência descritas neste manual do utilizador. Contacte o seu distribuidor com assistência técnica para tarefas de manutenção e assistência de maior extensão.
- Mantenha todas as porcas, parafusos e parafusos apertados, para ter a certeza de que o produto reúne todas as condições de segurança para o funcionamento.
- Substitua as peças gastas ou danificadas.
- Se não proceder à manutenção, irá diminuir o ciclo de vida do produto e aumentar o risco de acidentes.
- É necessária formação especializada para todos os trabalhos de assistência e reparação, especialmente para os dispositivos de segurança do produto. Se, após a manutenção, nem todas as verificações deste manual forem aprovadas, contacte o seu revendedor com assistência técnica. Garantimos que existem reparações e assistência profissionais disponíveis para o seu produto.
- Utilize sempre peças sobresselentes originais.

Montagem

Modo de sopro



ATENÇÃO:

Podem ocorrer ferimentos por corte quando as lâminas rotativas rodam ou caso o produto se ligue acidentalmente. Remova a bateria e aguarde até que as lâminas rotativas parem antes de montar o produto.

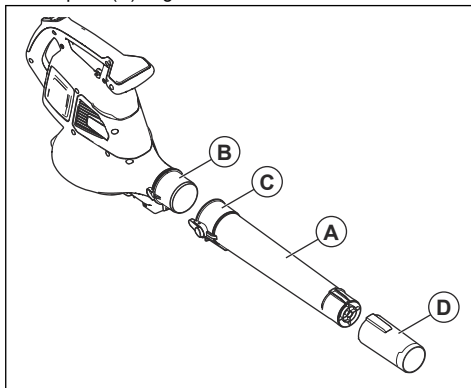


ATENÇÃO: Monte o tubo do soprador e a tampa de admissão na sua totalidade antes de utilizar o produto no modo de sopro.

Montar o tubo do soprador

Nota: Quando o tubo do soprador não está montado corretamente, um interruptor de segurança impede o arranque do soprador.

1. Pressione o tubo do soprador (A) para dentro da saída do soprador (B). Ouvirá um clique quando o bloqueio (C) engatar.

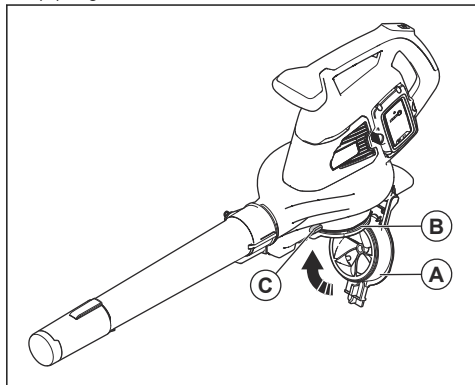


2. Instale o bocal do soprador (D) no tubo do soprador. O bocal do soprador bloqueia na posição pretendida quando se ouve um clique.

Montar a tampa de admissão

Nota: Quando a tampa de admissão não está montada corretamente, um interruptor de segurança impede o arranque do soprador.

- Feche a tampa da admissão (A) na entrada do soprador (B). Ouvirá um clique quando o bloqueio (C) engatar.



Modo de aspiração



ATENÇÃO: Monte o tubo de aspiração e o saco de recolha na sua totalidade antes de utilizar o produto no modo de aspiração.

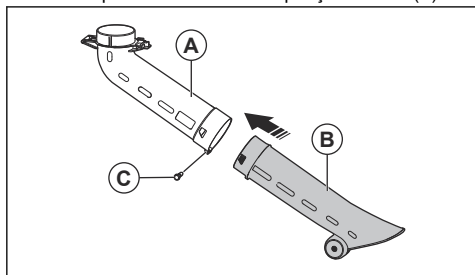
Montar o tubo de aspiração



ATENÇÃO: Monte os tubos de aspiração superior e inferior antes de ligar o produto.

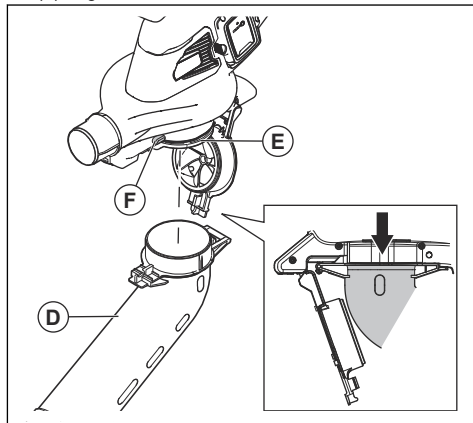
Nota: Quando o tubo de aspiração não está montado corretamente, um interruptor de segurança impede o arranque do aspirador.

1. Alinhe as ranhuras do tubo de aspiração superior (A) com as patilhas do tubo de aspiração inferior (B).



2. Empurre o tubo de aspiração inferior no tubo de aspiração superior até ouvir um clique.
3. Aperte o parafuso (C).

4. Instale o tubo de aspiração (D) na entrada de aspiração (E). Ouvirá um clique quando o bloqueio (F) engatar.



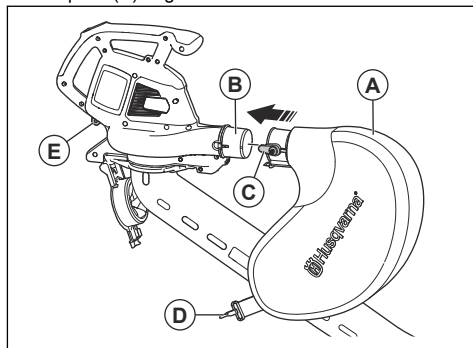
Montar o saco de recolha

Nota: Se o saco de recolha não estiver montado corretamente, um interruptor de segurança interrompe o procedimento de arranque do produto.



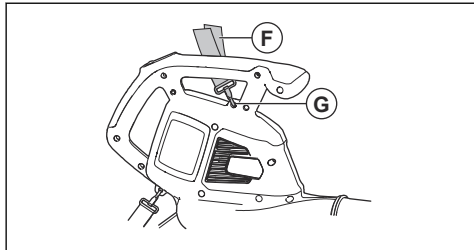
ATENÇÃO: Desligue a máquina antes de tentar instalar ou remover o saco.

1. Remova o tubo do soprador se este estiver instalado no produto.
2. Pressione o saco de recolha (A) para dentro da saída de aspiração (B). Ouvirá um clique quando o bloqueio (C) engatar.



3. Ligue a correia do saco de recolha (D) ao retentor (E).

4. Ligue a correia de ombro (F) ao retentor (G).



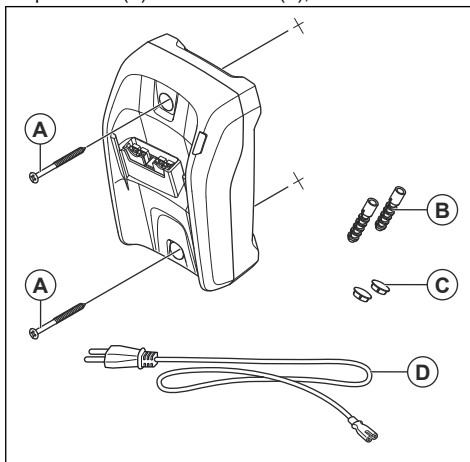
5. Certifique-se de que o saco de recolha está totalmente fechado.

Instalar o carregador de bateria na parede



CUIDADO: Não utilize uma chave de parafusos elétrica para instalar o carregador de bateria na parede. Uma chave de parafusos elétrica pode causar danos no carregador de bateria.

1. Instale o carregador de bateria na parede com os 2 parafusos (A). Utilize buchas (B), se necessário.



2. Instale os 2 tampões dos orifícios dos parafusos (C).
3. Ligue o cabo de alimentação (D) ao carregador de bateria e a uma tomada de parede.

Funcionamento

Introdução



ATENÇÃO: Certifique-se de que lê e compreende o capítulo sobre segurança antes de usar o produto.

Para verificar o funcionamento antes de usar o produto

1. Verifique a entrada de ar quanto à existência de sujidade ou fissuras. Utilize uma escova e retire a relva e as folhas do produto.
2. Certifique-se de que o produto funciona corretamente.
3. Verifique todas as porcas e parafusos e certifique-se de que estão apertados.

Bateria



ATENÇÃO: Certifique-se de que lê e compreende o capítulo sobre segurança antes de utilizar a bateria. Certifique-se de

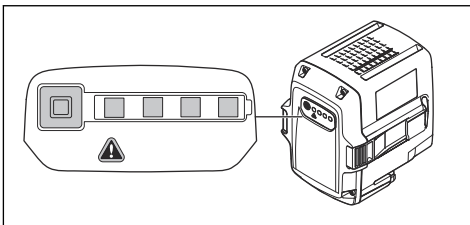
que lê e compreende o manual do utilizador da bateria e do carregador de bateria.

Mantenha a bateria e o respetivo carregador de bateria a temperaturas ambiente corretas.

	Temperatura ambiente
Utilização da bateria	5 °C–40 °C/41 °F–104 °F
Carregamento da bateria	5 °C–40 °C/41 °F–104 °F

Estado da bateria

O visor apresenta o estado de carga e a existência de problemas com a bateria.



Indicador LED	Estado de carga da bateria
4 luzes LED ligadas	A bateria tem uma carga entre 76% e 100%.

Indicador LED	Estado de carga da bateria
3 luzes LED ligadas	A bateria tem uma carga entre 51% e 75%.
2 luzes LED ligadas	A bateria tem uma carga entre 26% e 50%.
1 luz LED ligada	A bateria tem uma carga entre 6% e 25%.
1 luz LED está intermitente	A bateria tem uma carga entre 0% e 5%.

Carregar a bateria

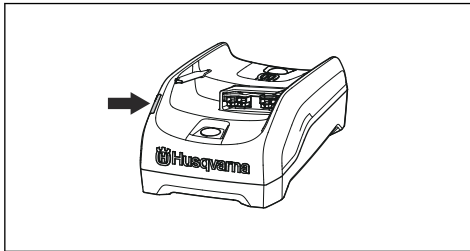
Carregue a bateria se se tratar da primeira vez que a utiliza. Uma bateria nova tem apenas 30% de carga.



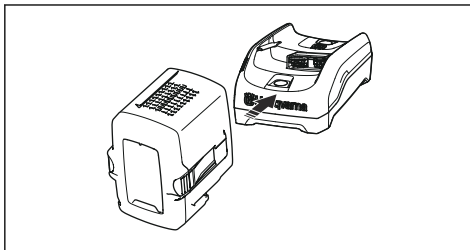
CUIDADO: Ligue o carregador de bateria a uma tomada de alimentação com a tensão e a frequência especificadas na etiqueta de tipo.

A bateria não carrega se a respetiva temperatura for superior a 50 °C (122 °F).

1. Ligue o cabo de alimentação ao carregador de bateria.
2. Ligue o carregador de bateria a uma tomada de alimentação com ligação à terra. O LED de carregamento pisca uma vez.



3. Ligue a bateria ao carregador de bateria. O LED de carregamento acende-se. Carregue a bateria no máximo durante 24 horas.



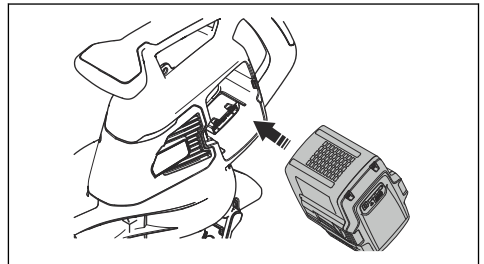
4. Prima o botão indicador da bateria; se todos os indicadores LED se acenderem, a bateria está totalmente carregada.
5. Puxe a ficha de alimentação para desligar o carregador de bateria da tomada de alimentação. Não puxe o cabo de alimentação.
6. Retire a bateria do carregador da bateria.

Ligar a bateria ao produto

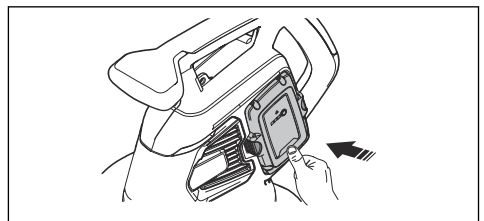


ATENÇÃO: Utilize apenas baterias Husqvarna originais no produto.

1. Certifique-se de que a bateria está completamente carregada.
2. Deslize a bateria para o suporte da bateria do produto. A bateria tem de deslizar facilmente. Caso contrário, não está instalada corretamente.

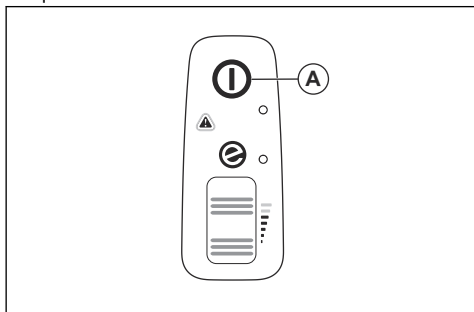


3. Pressione e empurre a parte inferior da bateria para a introduzir completamente no respetivo compartimento. A bateria bloqueia na posição pretendida quando ouve um clique.
4. Certifique-se de que os trincos engatam na posição correta.

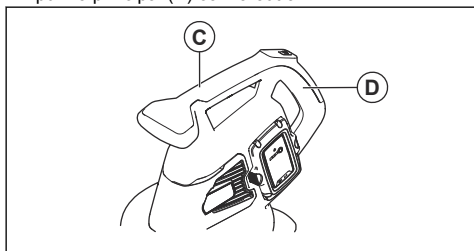


Arrancar o produto

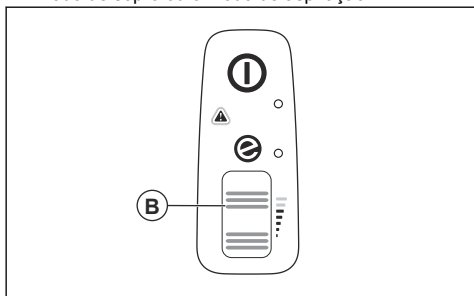
1. Prima e mantenha premido o botão start/stop (A) até que a luz LED verde se acenda.



2. Segure o punho auxiliar (C) com uma mão e o punho principal (D) com a outra.

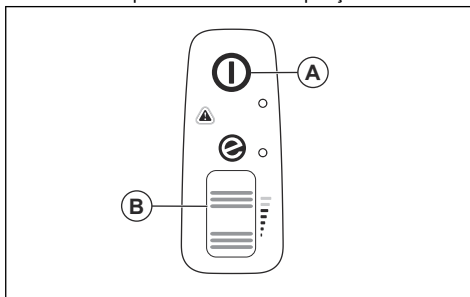


3. Mova a roda motriz (B) para cima para iniciar o modo de sopro ou o modo de aspiração.



Parar o produto

1. Mova a roda motriz (B) para baixo para parar o modo de sopro ou o modo de aspiração.

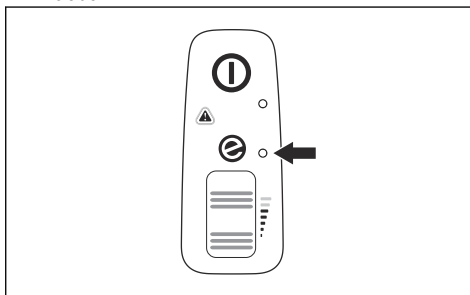


2. Prima e mantenha premido o botão start/stop (A) até que a luz LED verde se desligue.

Modo ECO

O modo ECO aumenta a vida útil da bateria.

- Mova a roda motriz para baixo para iniciar o modo ECO. A luz LED acende-se quando o modo ECO é iniciado.



- Mova a roda motriz para cima para iniciar o modo normal. A luz LED desliga-se quando o modo normal é iniciado.

Esvaziar o saco de recolha



ATENÇÃO:

Os objetos afiados podem causar ferimentos. Não coloque as mãos dentro do saco de recolha quando o esvaziar.

1. Pare o produto.
2. Remova o saco de recolha.
3. Empurre o lado interior do saco de recolha para fora e remova os objetos recolhidos.
4. Limpe o saco de recolha com uma mangueira de água.
5. Deixe o saco de recolha secar.
6. Monte o saco de recolha.

Função de desativação automática

O produto tem uma função de desativação automática que desliga o produto, se este não for utilizado. O produto é desativado após 1 minuto.

Manutenção

Introdução



ATENÇÃO: Antes de efetuar qualquer tarefa de manutenção, tem de ler e compreender o capítulo sobre segurança.

Esquema de manutenção



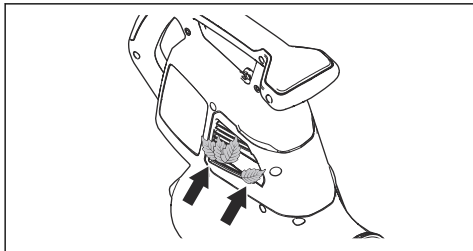
ATENÇÃO: Retire a bateria antes de iniciar qualquer tarefa de manutenção.

A seguinte lista de tarefas de manutenção tem de ser realizada no produto.

Manutenção	Diaria-mente	Semanal-mente	Mensal-mente
Limpe a superfície externa com um pano seco e limpo. Não utilize água.	X		
Mantenha os punhos secos, limpos e sem óleo nem massa lubrificante.	X		
Certifique-se de que o botão start/stop funciona corretamente e não está danificado.	X		
Certifique-se de que a roda motriz funciona corretamente em termos de segurança.	X		
Examine o aperto das porcas e dos parafusos.	X		
Examine se a bateria apresenta sinais de danos.	X		
	X		
Certifique-se de que os botões de libertação da bateria funcionam corretamente e de que a bateria bloqueia no produto.	X		
Verifique a existência de danos no carregador de bateria e certifique-se de este que funciona corretamente.	X		
Examine todos os acoplamentos, ligações e cabos quanto a danos e certifique-se de que não têm sujidade.		X	
Verifique as ligações entre a bateria e o produto e verifique também a ligação entre a bateria e o carregador da bateria.			X
Limpe as ranhuras de fluxo de ar com uma escova macia (não utilize uma chave de parafusos).	X		
Remova e limpe o tubo do soprador ou o tubo de aspiração.	X		
Esvazie e limpe o saco de recolha. Consulte <i>Esvaziar o saco de recolha na página 182</i> .	X		
Remova relva, folhas, sujidade ou qualquer material indesejado da abertura de admissão e da cobertura de admissão.	X		
Examine o propulsor da ventoinha quanto a contaminação e limpe o propulsor da ventoinha, se necessário, com um objeto longo e não afiado.	X		

Verificar a admissão de ar

1. Certifique-se de que a admissão de ar não está obstruída em nenhum dos lados do produto.



2. Pare o produto e remova folhas ou materiais indesejados, se necessário.



CUIDADO: Uma admissão de ar obstruída diminui a capacidade de sopro do produto e aumenta a temperatura de funcionamento do motor. Isto pode resultar numa avaria do motor, uma vez que este fica demasiado quente.

Examinar a bateria e o carregador da bateria

1. Examine a bateria quanto à existência de danos, por exemplo, fissuras.
2. Examine o carregador da bateria quanto à existência de danos, por exemplo, fissuras.
3. Certifique-se de que o cabo de ligação do carregador da bateria não está danificado nem apresenta fissuras.

Limpar o produto, a bateria e o carregador da bateria

1. Limpe o produto com um pano seco após a utilização.
2. Limpe a bateria e o carregador da bateria com um pano seco. Mantenha as calhas de guia da bateria limpas.
3. Certifique-se de que os terminais da bateria e do carregador da bateria se encontram limpos antes de colocar a bateria no carregador da bateria ou no produto.

Resolução de problemas

Interface do utilizador

Interface do utilizador	Falhas possíveis	Solução possível
LED vermelho de erro intermitente.	Desvio de temperatura.	Deixe o produto arrefecer.
	A tampa do tubo ou da ventoinha foi removida.	Monte a tampa do tubo ou da tampa da ventoinha.
	Erro da bateria.	Substitua a bateria ou carregue-a.
	É necessária assistência.	Contacte o seu distribuidor com assistência técnica.
O produto não arranca.	Sujidade nos conetores da bateria.	Limpe com ar comprimido ou uma escova suave.

Bateria

Visor LED	Falhas possíveis	Solução possível
O LED verde pisca.	Tensão da bateria baixa.	Carregue a bateria.

Visor LED	Falhas possíveis	Solução possível
LED de erro intermitente.	Desvio de temperatura.	Utilize a bateria a temperaturas entre -10°C (14°F) e 40°C (104°F).
	Tensão excessiva.	Certifique-se de que a tensão da corrente elétrica coincide com a tensão do produto. Consulte a etiqueta de tipo no produto. Retire a bateria do carregador da bateria.
LED de erro aceso.	Diferença entre células excessiva (1 V).	Contacte o seu distribuidor com assistência técnica.

Carregador de bateria

Estado	Falhas possíveis	Procedimento possível
O LED de carregamento está vermelho.	Erro do carregador de bateria permanente.	Contacte o seu distribuidor.
O LED de carregamento fica verde intermitente.	Desvio de temperatura, a bateria encontra-se demasiado fria ou demasiado quente para utilizar ou carregar.	Deixe a bateria arrefecer ou aquecer. Quando a bateria estiver na temperatura correta, esta pode ser utilizada ou carregada novamente. Utilize o carregador de bateria a temperaturas ambiente entre 5 °C e 40 °C.
O LED de carregamento fica vermelho intermitente.	Bateria defeituosa	Contacte o seu distribuidor.

Transporte, armazenamento e eliminação

Transporte e armazenamento

- As baterias de íões de lítio fornecidas cumprem os requisitos da legislação sobre mercadorias perigosas.
- Cumpra o requisito especial sobre a embalagem e as etiquetas de transporte comercial, incluindo por terceiros e agentes transitários.
- Contacte uma pessoa com formação específica em material perigoso antes de enviar o produto. Cumpra todos os regulamentos nacionais aplicáveis.
- Utilize fita em contactos abertos quando colocar a bateria numa embalagem. Coloque a bateria na embalagem de forma fixa para impedir movimentos.
- Deixe sempre a máquina arrefecer antes de a armazenar.
- Retire sempre a bateria para armazenamento ou transporte.
- Coloque a bateria e o carregador de bateria num espaço seco e sem humidade ou gelo.
- Não armazene a bateria numa área onde possa existir eletricidade estática. Não armazene a bateria numa caixa metálica.
- Armazene a bateria num local onde a temperatura varie entre 5 °C e 25 °C e afastado da exposição à luz solar.
- Armazene o carregador de bateria num local onde a temperatura varie entre 5 °C e 45 °C e afastado da exposição à luz solar.
- Utilize o carregador de bateria apenas quando a temperatura ambiente se encontrar entre os 5 °C e os 40 °C.
- Carregue a bateria entre 30% a 50% antes de a armazenar durante longos períodos de tempo.
- Armazene o carregador de bateria num espaço fechado e seco.
- Mantenha a bateria afastada do carregador de bateria durante o armazenamento. Não permita que crianças e outras pessoas não autorizadas

entrem em contacto com o equipamento. Mantenha o equipamento num espaço que possa trancar.

- Antes de armazenar o produto durante longos períodos de tempo, limpe-o e efetue uma manutenção completa do mesmo.
- Utilize a proteção para transporte no produto para evitar ferimentos ou danos no produto durante o transporte e o armazenamento.
- Fixe o produto em segurança durante o transporte.

Eliminação da bateria, do carregador da bateria e do produto

O símbolo abaixo significa que o produto não é um resíduo doméstico. Recicle o equipamento numa

estação de reciclagem para equipamentos elétricos e eletrônicos. Isto ajuda a evitar danos no ambiente e em pessoas.

Para obter mais informações, contacte as autoridades locais, o serviço de recolha de resíduos domésticos ou o seu revendedor.



Nota: O símbolo aparece no produto ou na embalagem do produto.

Especificações técnicas

Especificações técnicas

	120iBV
Motor	
Tipo de motor	BLDC (sem escovas) 36 V
Peso	
Peso sem bateria, kg	4,6
Emissões de ruído ²⁸	
Nível de potência sonora, medido dB (A)	97
Nível de potência sonora, garantido L _{WA} dB (A)	100
Níveis sonoros ²⁹	
Nível de pressão sonora equivalente, ao nível do ouvido do utilizador, medido de acordo com as normas EN ISO 11203 e ISO 22868, dB (A):	84
Níveis de vibração ³⁰	
Níveis de vibração no punho dianteiro/traseiro, medidos de acordo com a norma ISO 22867, m/s ²	1,4/1,7
Desempenho da ventoinha	
Fluxo de ar no modo normal com bocal padrão, m ³ /min	6,7
Velocidade máxima do ar no modo normal com bocal padrão, m/s	50/111

²⁸ Emissões de ruído para as imediações, medidas sob forma de potência sonora (L_{WA}) em conformidade com a diretiva da CE 2000/14/CE. O nível de potência sonora registado para a máquina foi medido com o equipamento de corte original que debita o nível mais alto. A diferença entre a potência sonora garantida e medida é que a potência sonora garantida inclui também a dispersão no resultado da medição e as variações entre diferentes máquinas do mesmo modelo, de acordo com a diretiva 2000/14/CE.

²⁹ Os dados registados para o nível de pressão sonora equivalente para a máquina têm uma dispersão estatística típica (desvio padrão) de 3 dB (A).

³⁰ Os dados comunicados relativamente ao nível de vibração têm uma dispersão estatística típica (desvio padrão) de 1,5 m/s².

Os dados de ruído e vibração são determinados com base na velocidade máxima nominal.

Baterias aprovadas

Utilize apenas baterias 40-B Husqvarna originais neste produto.

Baterias aprovadas

Bateria	40-B140
Tipo	lões de lítio
Capacidade da bateria, Ah	4
Tensão nominal, V	36
Peso, kg	1,25

Carregadores de bateria aprovados

Carregador de bateria	40-C80
Tensão de corrente elétrica, V	100-240
Frequência, Hz	50-60
Potência, W	72
Tensão de saída, V CC/ Amps, A	43/1,6

Declaração de conformidade

Declaração UE de conformidade

A **Husqvarna AB**, SE-561 82 Huskvarna, SUÉCIA,
tel.: +46-36-146500, declara, sob sua inteira
responsabilidade, que o produto:

Descrição	Soprador/aspirador de jardim portátil
Marca	Husqvarna
Tipo/Modelo	120iBV
Identificação	Números de série referentes a 2022 e posteriores

está em plena conformidade com as seguintes diretivas
e regulamentos da UE:

Regulamento	Descrição
2006/42/CE	"relativa a máquinas"
2014/30/UE	"relativa à compatibilidade eletromagnética"
2011/65/UE	"relativa à restrição do uso de determinadas substâncias perigosas em equipamento elétrico e eletrônico"
2000/14/CE	"relativa a emissões de ruído para o ambiente"

e que as seguintes normas e/ou
especificações técnicas são aplicadas: EN
60335-1:2012+A11+A13+A14+A2+A15, EN
50636-2-100:2014, EN IEC 63000:2018, EN ISO
12100:2010, EN IEC 55014-1:2021; EN IEC
55014-2:2021

De acordo com a Diretiva 2000/14/CE, Anexo V,
consulte *Especificações técnicas na página 186* para
obter os valores de som declarados.

Huskvarna, 2023-01-16



Claes Losdal, gestor de I&D, Husqvarna AB

Responsável pela documentação técnica

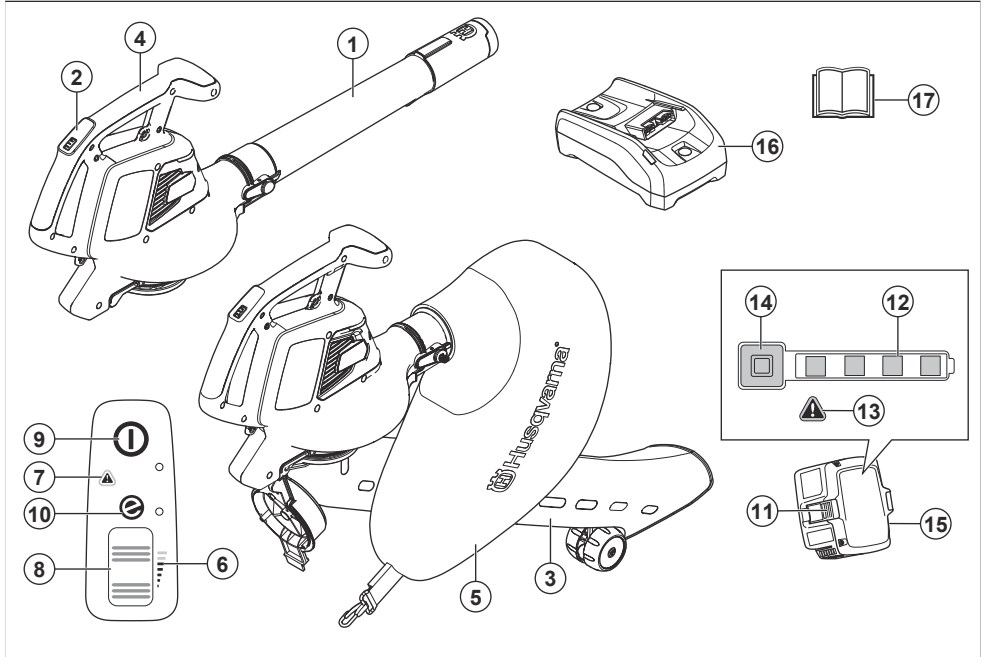


İçindekiler

Giriş.....	189	Sorun giderme.....	201
Güvenlik.....	191	Taşıma, depolama ve atma.....	202
Montaj.....	195	Teknik veriler.....	203
Çalışma.....	197	Uyumluluk Bildirimi.....	205
Bakım.....	200		

Giriş

Ürüne genel bakış



1. Yaprak üfleyici borusu
2. Tuş takımı
3. Vakum borusu
4. Tutma yeri
5. Toplama torbası
6. Hava akışı göstergesi
7. Uyarı göstergesi (hata LED'i)
8. Güç tekerleği
9. Çalıştırma/durdurma düğmesi
10. SavE göstergesi
11. Akü çıkarma düğmesi
12. Akü durumu
13. Uyarı göstergesi (hata LED'i)
14. Güç ve uyarı göstergesi
15. Akü, yalnızca Husqvarna 120iBV üfleyici kitinde bulunur
16. Akü şarj cihazı, yalnızca Husqvarna 120iBV üfleyici kitinde bulunur
17. Kullanım kılavuzu

Ürün açıklaması

Husqvarna 120iBV, elektrikli motorlu bir bahçe yaprak üfleyici/vakum modelidir.

Sahip olduğumuz sürekli ürün geliştirme politikamız nedeniyle önceden bildirimde bulunmaksızın ürünlerin tasarımı ve görünümünü ile ilgili değişiklikler yapma hakkını saklı tutarız.

Kullanım amacı

Yaprak üfleyci modu: Yaprak üfleyci, toprak parçacıklarını veya kesilen çimleri patikalardan, garaj yollarından, avlulardan ve benzeri cisimlerden uzağa üfleme için tasarlanmıştır. Ayrıca, yığın oluşturmak ya da kiremit veya tuğlalar arasındaki köşelerden, derzlerden veya boşluklardan kir parçacıklarını çıkarmak için kesilen çimleri, samanları veya yaprakları üfleme için tasarlanmıştır.

Vakum modu: Vakum, kuru malzemeleri vakumlamak için tasarlanmıştır. Yapraklar, çimler, küçük dallar ve kağıt parçaları dahildir.

Ürün üzerindeki semboller



UYARI: Bu ürün, tehlikeli olabilir ve operatör ya da başkaları açısından ciddi yaralanmalara veya ölüme neden olabilir. Dikkatli olun ve ürünü doğru kullanın.



Bu ürünü kullanmadan önce kullanım kılavuzunu dikkatlice okuyun ve talimatları anladığınızdan emin olun.



Onaylı koruyucu gözlük kullanın.



Nominal voltaj, V



Doğru akım.



AB ve BK direktifleri ile düzenlemeleri ve Yeni Güney Galler mevzuatı "Çevre Koruma Operasyonları (Gürültü Kontrolü) Yönetmeliği 2017" uyarınca çevreye yayılan gürültü emisyonu etiketi. Ürünün garantili ses gücü düzeyi *Teknik veriler sayfasında: 203* ve etiketin üstünde belirtilmektedir.



Bakımdan önce akünün bağlantısını kesin.



Ürün ya da ürünün ambalajı evsel atık değildir. Ürünü, elektrikli ve elektronik ekipmanlar için bir geri dönüşüm istasyonunda geri dönüştürün.



Ürün, geçerli AT direktiflerine uygundur.



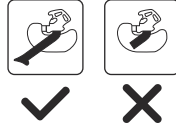
Bu ürün yürürlükteki Birleşik Krallık yönetmeliklerine uygundur.



Yağmura maruz bırakmayın.



Ürünü kapattıktan sonra rotor bıçaklarının durmasını bekleyin.



Ürünü yalnızca tüp tamamen monte edildiğinde vakum modunda kullanın.



Üfleyci operatörü, insan veya hayvanların 15 metreden daha yakında bulunmamasını sağlamalıdır. Aynı alanda birden fazla operatör çalışıyorsa en az 15 metrelik güvenlik mesafesi bırakılmalıdır. Üfleyci, geriye sıçrayabilecek nesnelere güçlü bir şekilde fırlatılabilir. Bu, önerilen güvenlik donanımı kullanılmazsa ciddi göz yaralanmalarına neden olabilir.



yyyy hhxxxx

Nominal değerler plakası, seri numarasını gösterir. **yyyy** üretim yılı, **hh** ise üretim haftasıdır.

Not: Atışmanın üzerindeki diğer semboller/etiketler, belirli pazarların sertifikalandırma gereklilikleri ile ilgilidir.

Akü ve/veya akü şarj cihazı üzerindeki semboller



Bu ürünü, elektrikli ve elektronik ekipmanlar için bir geri dönüşüm istasyonunda geri dönüştürün. (Sadece Avrupa için geçerlidir)



Anıza emniyetli dönüştürücü.



Akü şarj cihazını sadece kapalı mekanlarda kullanın ve saklayın.



Çift yalıtım.

Üretici

Husqvarna AB

Drottninggatan 2, SE-561 82 Huskvarna

Üründe oluşabilecek hasarlar

Aşağıdaki durumlarda ürünümüzde oluşabilecek hasarlardan sorumlu olmayız:

- ürünün hatalı bir şekilde onarılması,
- ürünün, üretici tarafından onaylanmayan veya üreticiden alınmayan parçalarla tamir edilmesi,
- üründe, üreticiden alınmayan veya üretici tarafından onaylanmayan bir aksesuar bulunması,
- ürünün, onaylı bir servis merkezinde veya yetkili bir kurum tarafından tamir edilmemesi.

Güvenlik

Güvenlik tanımları

Kullanım kılavuzundaki önemli kısımları vurgulamak için uyarılar ve notlar kullanılmıştır.



UYARI: Kılavuzdaki talimatlara uyulmadığı takdirde operatör veya çevredeki kişiler için ciddi yaralanma veya ölüm tehlikesi varsa kullanılır.



DİKKAT: Kılavuzdaki talimatlara uyulmadığı takdirde ürünün ve/veya ataşmanın, diğer malzemelerin ya da çevrenin zarar görme riski olduğunda kullanılır.

Not: Belirli bir durumda bilgi verilmesi gerektiğinde kullanılır.

Genel güvenlik talimatları



UYARI: Ürünü kullanmadan önce aşağıdaki uyarı talimatlarını okuyun.

- Makinenin kontrollerini ve doğru çalışmasını öğrenmek için talimatları dikkatlice okuyun. Ürünün hatalı veya dikkatsiz kullanılması, ürünü operatörün ya da diğerlerinin ciddi ve hatta ölümcül şekilde yaralanmasına neden olabilecek tehlikeli bir alete çevirebilir.
- Üreticinin izni alınmadan ürün tasarımında hiçbir şekilde değişiklik yapılamaz. Orijinal teknik özellikleri değiştirilecek şekilde modifiye edilmiş bir ürünü asla kullanmayın ve her zaman orijinal aksesuarları kullanın. Onaylanmamış değişiklikler ve/veya aksesuarlar operatör veya başkaları açısından ciddi yaralanmalara veya ölüme neden olabilir. Garantinizi, onaylanmamış aksesuarların veya yedek parçaların kullanılmasından kaynaklanan hasarı kapsamaz veya bunlar için sorumluluk kabul etmez.

- Bu ürün, çalışırken elektromanyetik bir alan oluşturur. Bu alan, bazı koşullarda aktif veya pasif tıbbi implantlarda parazitlenmeye neden olabilir. Ciddi yaralanmaya veya ölüme neden olabilecek durumların ortaya çıkma riskini azaltmak için tıbbi implantı olan kişilerin, bu ürünü çalıştırmadan önce doktorlarına ve tıbbi implant üreticilerine danışmalarını öneririz.
- Şarj işlemi sırasında aküyü üründen çıkarın.

Genel elektrikli alet güvenlik uyarıları

Çalıştırmadan önce kontrol edin

- Çalışma alanını inceleyin. Fırlatılma ihtimali olan taş, kırık cam, çivi, çelik tel, ip vb. tüm nesnelere ortadan kaldırın.
- Makinenin kazayla çalışmasını önlemek için mutlaka pili çıkarın. Makine üzerinde yapılacak her türlü bakımdan önce mutlaka akünün bağlantısını kesin.
- Makineyi kullanmadan önce ve herhangi bir darbe sonrasında, yıpranma veya hasar bakımından kontrol edin ve gereken şekilde tamir edin.
- Sadece orijinal yedek parça kullanın.
- Makine operatörü, çalışma sırasında insan veya hayvanların 15 metreden daha yakında bulunmasını sağlamalıdır. Aynı çalışma alanında birkaç operatör çalıştığında, güvenli mesafe en az 15 metre olmalıdır.
- Kullanmadan önce makineyi uçtan uca kontrol edin (bkz. bakım takvimi).
- Kullanım ulusal veya yerel yönetmelikler tarafından düzenlenebilir. Belirlenmiş yönetmeliklere uyun.

Kişisel güvenlik

- **Elektrikli aletleri kullanırken dikkatinizi yaptığınız işe verin, gözünüzü işinizden ayırmayın ve sağduyulu olun. Yorgunken veya uyuşturucu, alkol ya da ilaç etkisi altındayken elektrikli alet kullanmayın.** Elektrikli alet kullanırken bir anlık bir dikkatsizlik, ciddi yaralanmaya neden olabilir.
- Hiç kimsenin yaklaşmasına izin vermeyin.

- Bu cihaz, güvenliklerinden sorumlu bir kişi tarafından gözetim altında tutulmadıkları ya da cihazına kullanımına ilişkin talimatlar sağlanmadıkça, fiziksel, duysal veya zihinsel yetenekleri sınırlı olan ya da gerekli deneyim ve bilgiye sahip olmayan kişiler (çocuklar dahildir) tarafından kullanılmak üzere tasarlanmamıştır. Cihazla oynamadıklarından emin olmak için çocuklar gözetim altında tutulmalıdır.
- Hiçbir zaman çocukların veya bu kullanma talimatlarını bilmeyen kişilerin ürünü kullanmasına izin vermeyin. Yerel yönetmeliklerde operatör yaşı konusunda bir sınırlama olabilir.
- Yetkisiz kişileri yaklaştırmayın. Çocuklar, hayvanlar, izleyenler ve yardımcılar 15 m'lik (50 ft.) güvenlik bölgesinin dışına tutulmalıdır. Herhangi bir kimse yaklaşırsa makineyi derhal durdurun.
- Ekipmanı, çocukların ve yetkisiz kişilerin erişemeyeceği şekilde kilitlebilir bir yerde depolayın.
- Makineyi, dışarı fırlayan malzemelerin yaralanmaya neden olabileceği asfalt veya çakılla kaplanmış yüzeylerde çalıştırmayın.
- Makineyi çalıştırırken her zaman uygun ayakkabı ve uzun pantolon giyin. Makineyi çıplak ayakla veya açık sandalet giyerken çalıştırmayın. Bol kesimli veya sarkan kordonları ya da bağları olan giysiler giymekten kaçının.
- Hava girişinden içeri çekilebilecek bol giysiler giymeyin veya takı takmayın. Uzun saçları hava girişinden uzak tutun.
- Yorgunsanız, alkol aldıysanız veya görüşünüzü, karar verme yetinizi ya da koordinasyonunuzu etkileyebilecek ilaç alıyorsanız makineyi asla kullanmayın.
- Kişisel koruyucu ekipman giyin. "Kişisel koruyucu ekipman" başlığı altındaki talimatlara bakın.
- Makineyi başka birine verirken her zaman aküyü çıkarın.
- İnsanların veya mallarının kazalara veya tehlikelere maruz kalmasını önlemenin operatör olarak sizin sorumluluğunuzda olduğunu unutmayın.

Elektrikli alet kullanımı ve bakımı

- Orijinal özellikleri değiştirilecek şekilde modifiye edilmiş bir makineyi asla kullanmayın. Makineyi kesinlikle patlayıcı ya da yanıcı maddelerin yakınında kullanmayın.
- Hiçbir zaman arızalı bir makineyi kullanmayın. Bu kılavuzda belirtilen güvenlik kontrolleri ile bakım ve servis talimatlarına uyun. Bazı bakım ve servis işlerinin sadece yetkili ve kalifiye teknisyenler tarafından yapılması gerekir. Bakım bölümündeki talimatlara bakın.
- Sadece orijinal yedek parça kullanın.
- Her zaman havalandırma deliklerinde moloz olmamasını sağlayın.
- Tüm kapak, koruma ve saplar işleme başlanmadan önce takılmalıdır.

- Makineyi sadece gün ışığında veya başka iyi aydınlatılmış koşullarda kullanın.
- Makineyi kesinlikle sis ve yağmur altında, nemli veya ıslak yerlerde, kuvvetli rüzgar, şiddetli soğuk ya da yıldırım riskinin bulunduğu olumsuz hava koşullarında kullanmayın. Aşırı sıcak hava, makinenin aşırı ısınmasına neden olabilir. Kötü hava koşullarında çalışmak yorucu ve kaygan yüzeyler gibi tehlikeli durumlara yol açabilir.
- Cihaz garip şekilde titreşim veriyorsa cihazı durdurun ve aküyü çıkarın.
- Yürüyün, asla koşmayın.

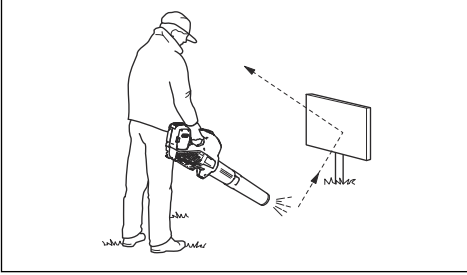
Kullanım için güvenlik talimatları



UYARI: Ürünü kullanmadan önce aşağıdaki uyarı talimatlarını okuyun.

- Nasıl devam etmeniz gerektiği konusunda emin olmadığınız bir durumla karşılaşırsanız bir uzmana danışmalısınız. Bayiniz veya servis atölyenize iletişime geçin. Yapabileceğinizin ötesinde olduğunu düşündüğünüz hiçbir çalışmayı yapmayın.
- Güvenli bir şekilde hareket edebildiğinizden ve ayakta durabildiğinizden emin olun. Ani hareket etmeniz gerekebileceğini göz önünde bulundurarak çevrenizdeki olası engelleri (kökler, taşlar, dallar, hendekler vs.) kontrol edin. Eğimli yüzeyde çalışırken çok dikkatli olun.
- Her zaman dengenizi koruyun ve yere sağlam basın. Makineyi kullanırken erişim alanınızın dışındaki yerlere uzanmaya çalışmayın.
- Kulak koruma ekipmanı taktığınızda uyarı sinyallerine veya bağırma seslerine karşı dikkatli olun. Ürün durur durmaz kulak koruma ekipmanınızı mutlaka çıkarın.
- Ürünü açık pencerelerin yakınında çalıştırmayın.
- Çevredeki insanları rahatsız etmemek için akşamın geç saatleri veya sabahın erken saatleri gibi uygun olmayan zamanlarda ürünü kullanmaktan kaçının. Yerel düzenlemelere ve kurallara uyun.
- Ürünü mümkün olan en düşük hava akışıyla kullanın. Tam hava akışını kullanmak nadiren gereklidir ve birçok çalışma prosedürü yarım hava akışında yapılabilir. Düşük hava akışı daha az gürültü ve daha az toz anlamına gelir ve ayrıca toplanan/taşınan çöplerin kontrol altında tutulmasını da kolaylaştırır.
- Ürünü tozlu ortamlarda kullanırken yüzeyi hafifçe nemlendirin.
- Yere yapışmış çöpleri ayırmak için tırmık veya süpürge kullanın.
- Yaprak üfleycininin ağızını yere olabildiğince yakın tutun.
- Çevrenize dikkat edin. Ürünü insanlardan, hayvanlardan, oyun alanlarından, arabalardan vb. uzağa yönlendirin.
- Tozlu alanları hafifçe ıslatarak veya püskürtme ekipmanı kullanarak üfleme süresini en aza indirin.

- Rüzgar yönüne dikkat edin. İşinizi kolaylaştırmak için rüzgar yönünde çalışın.
- Ürün anormal şekilde titremeye başlarsa ürünü durdurun ve aküyü çıkarın.
- Büyük yığınları taşımak için yaprak üfleyciyi kullanmak zaman alır ve gereksiz gürültü yaratır.
- İşiniz bittikten sonra temizlik yapın. Çöplerin bir başkasının bahçesine gitmediğinden emin olun.
- Ürünle birlikte koşmayın.
- Güçlü hava akımları, nesnelere geriye sıçratarak ciddi göz yaralanmalarına neden olabilecek kadar hızlı hareket ettirebilir.



- Hava akışını insanlara veya hayvanlara doğrultmayın.
- Aksesuarı veya diğer parçaları takmadan ya da sökmeden önce motoru durdurun.
- Vücudunuzun tüm bölümlerini sıcak yüzeylerden uzakta tutun.
- Görüş alanınızda değilken ürünü çalışır halde asla yere koymayın.
- Makineyi durdurun ve aküyü çıkarın. Tüm hareketli parçaların aşağıdaki durumlarda tamamen durduğundan emin olun:
 - Makineyi her bıraktığınızda
 - Tıkanıklıkları gidermeden önce
 - Makine üzerinde kontrol veya temizlik işlemi yapmadan ya da makine üzerinde çalışmadan önce
- Kesim mekanizması herhangi bir yabancı cisme çarparsa veya makine alışılmadık bir ses veya titreşim çıkarmaya başlarsa güç kaynağını derhal kapatın ve makinenin durmasını sağlayın. Akünün makineyle bağlantısını kesin ve makineyi yeniden başlatıp çalıştırmadan önce aşağıdaki adımları uygulayın:
 - Hasar olup olmadığını kontrol edin
 - Hasarlı parçaları değiştirin veya onarın
 - Gevşemiş parça olup olmadığını kontrol edin ve varsa sıkın
- Makine tıkanırsa istenmeyen malzemeleri temizlemeden önce güç kaynağını kapatın ve makinenin aküyle bağlantısını kesin.
- Güç kaynağı çalışırken bu makineyi başka bir yere taşımayın.
- Güç kaynağı çalışırken makineyi eğmeyin.

- Yaprak üfleyci merdiven veya yapı iskelesi üzerindeyken kullanılmamalıdır.



- Bir kaza durumunda yardım isteyemeyecek durumdaysanız ürünü kullanmayın.
- Savrulan nesnelere dikkat edin. Taşlar, çöpler vs. gözlere fırlatabilir ve körlüğe veya ciddi yaralanmalara neden olabilir.
- Ürünü şarj ederken güvenliği artırmak için bir artık akım cihazı (RCI) kullanın. Operatörleri elektrik arızası meydana gelmesi durumunda korumak için bir artık akım cihazı takılır.
- Bu ürünün öne çıkan özelliklerinden biri düşük titreşim yüküdür. Titreşime aşırı ölçüde maruz kalmak, dolaşım bozukluğu olan kişilerde dolaşım veya sinir sistemi hasarına yol açabilir. Titreşime aşırı maruz kalma belirtileri yaşıyorsanız doktorunuzla iletişime geçiniz. Bu belirtiler arasında uyuşma, his kaybı, karıncalanma, iğnelenme, acı, güç kaybı, cilt renginde veya derumunda değişiklik bulunmaktadır. Bu belirtiler genelde parmaklarda, ellerde veya bileklerde görülür.
- Ürünü yalnızca tasarlandığı amaç için kullanın.
- Karşılaşabileceğiniz tüm olası durumları ele almak mümkün değildir. Her zaman dikkatli ve sağduyulu olun. Kontrol edemeyeceğinizi düşündüğünüz tüm durumlardan kaçının. Bu talimatları okuduktan sonra çalıştırma prosedürleri konusunda hala emin olmadığınız noktalar varsa devam etmeden önce bir uzmana danışmalısınız.

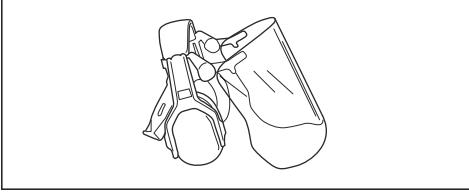
Kişisel koruyucu ekipman



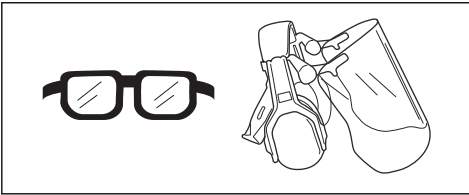
UYARI: Ürünü kullanmadan önce aşağıdaki uyarı talimatlarını okuyun.

- Ürünü kullanırken daima onaylı kişisel koruyucu ekipmanları kullanın. Kişisel koruyucu ekipmanlar yaralanma riskini tamamen engelleyemez ancak bir kaza durumunda yaralanmanın derecesini azaltır. Bayinizin doğru ekipmanı seçmenize yardımcı olmasını sağlayın.
- Uzun süre gürültüye maruz kalmak işitme bozukluğuna yol açabilir. Genel olarak, aküyle çalışan ürünler diğerlerine göre daha sessizdir fakat gürültü düzeyi ve uzun kullanımın birleşmesiyle hasar meydana gelebilir. Operatörlerin ürünleri gün içinde uzun süre kullanacakları zaman kulak koruma

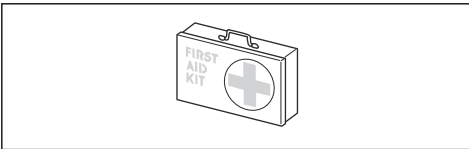
ekipmanları kullanmalarını önerir. Sürekli ve düzenli kullanıcıların işitme yetileri düzenli olarak kontrol edilmelidir. Kulak koruma ekipmanlarının sesleri ve uyarı sinyallerini duymayı sınırladığını unutmayın.



- Onaylı koruyucu gözlük kullanın. Vizör kullanıyorsanız onaylı koruyucu gözlük de kullanmanız gerekir. Onaylı koruyucu gözlük ABD'de ANSI Z87.1 veya AB ülkelerinde EN 166 standardıyla uyumlu olmalıdır.



- Sağlam kumaştan yapılmış kıyafetler kullanın. Daima kalın ve uzun pantolonlarla uzun kollu kıyafetler kullanın. Çalılara ve dallara takılabilecek bol kıyafetler kullanmayın. Takı takmayın; şort, sandalet giymeyin veya çıplak ayakla dolaşmayın. Saçınızı güvenli bir şekilde omuz hizasının üzerinde toplayın.
- İlk yardım ekipmanını yakında bulundurun.



- Toz riski varken solunum maskesi kullanılmalıdır.

Ürünün üzerindeki güvenlik araçları



UYARI: Ürünü kullanmadan önce aşağıdaki uyarı talimatlarını okuyun.

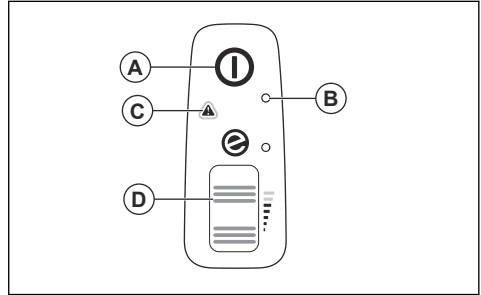
- Bu bölümde ürünün güvenlik özellikleri, amacı ve ürünün düzgün çalışması için bakım ve kontrollerin nasıl yürütülmesi gerektiği açıklanmaktadır. Ürününüzde bu parçaların nerede bulunduğunu görmek için *Ürüne genel bakış sayfa: 189* başlığı altındaki talimatları okuyun.
- Ürün bakımı doğru olarak yapılmazsa ve servis ve/veya onarım işlemleri profesyonel olarak uygulanmazsa ürünün kullanım ömrü azalabilir ve

kaza riski artabilir. Daha fazla bilgiye ihtiyacınız olursa lütfen en yakın servis bayisiyle iletişime geçin.

- Güvenlik bileşenleri kusurlu olan bir ürün asla kullanmayın. Ürünün güvenlik donanımı bu bölümde açıklandığı gibi kontrol edilmeli ve bakıma alınmalıdır. Ürününüz bu kontrollerden herhangi birini geçemezse onarım için servis nokتانızla iletişime geçin.
- Ürünün servis ve onarım işlemlerinin tümü özel eğitim gerektirir. Bu durum özellikle ürünün güvenlik donanımı için geçerlidir. Ürününüz aşağıda açıklanan kontrollerin herhangi birinden başarıyla geçemezse servis nokتانızla iletişime geçmeniz gerekir. Herhangi bir ürünü satın aldığınızda profesyonel onarım ve servis hizmetlerinin mevcut bulunduğunu garanti etmekteyiz. Ürünü satan bayi bir servis bayisi değilse size en yakın servis nokتانının adresini sorun.

Tuş takımını kontrol etme

1. Çalıştırma/durdurma düğmesini (A) basılı tutun.



- a) LED (B) yandığında ürün açık demektir.
- b) LED (B) söndüğü zaman ürün kapanır.

2. Bkz. *Kullanıcı arayüzü sayfa: 201* Uyarı göstergesi (C) yanıyor veya yanıp sönüyorsa.
3. Serbestçe hareket ettiğinden emin olmak için güç tekerleğini (D) itin ve bırakın.

Akü güvenliği



UYARI: Ürünü kullanmadan önce aşağıdaki uyarı talimatlarını okuyun.

- Yalnızca ürününüz için önerdiğimiz, 40-B serisi aküleri kullanın. Bkz. *Onaylı aküler sayfa: 204*. Aküler yazılım şifresine sahiptir.
- İlgili Husqvarna ürünleri için güç kaynağı olarak yalnızca şarj edilebilir 40-B serisi aküleri kullanın. Yaralanmayı önlemek için aküyü başka cihazların güç kaynağı olarak kullanmayın.
- Elektrik çarpması riski. Akü terminalerini anahtarlar, vidalara veya diğer metallere bağlamayın. Bu, aküde kısa devreye neden olabilir.
- Şarj edilebilir olmayan aküleri kullanmayın.

- Akünün hava deliklerine herhangi bir nesne koymayın.
- Aküyü güneş ışığından, ısı kaynaklarından veya açık alevden uzak tutun. Akü yanıklara ve/veya kimyasal yanıklara neden olabilir.
- Aküyü yağmurdan ve ıslak koşullardan uzak tutun.
- Aküyü mikrodalgalardan ve yüksek basınçtan uzak tutun.
- Aküyü parçalarına ayırmaya veya kırmaya çalışmayın.
- Aküyü -10°C (14°F) ile 40°C (104°F) arasındaki sıcaklıklarda kullanın.
- Aküyü veya akü şarj cihazını suyla temizlemeyin. Bkz. *Ürünü, aküyü ve akü şarj cihazını temizleme sayfa: 201.*
- Hatalı veya hasarlı aküleri kullanmayın.
- Aküleri çivi, vida veya mücevherat gibi metal nesnelere uzak bir yerde saklayın.
- Aküyü çocuklardan uzakta tutun.

Akü şarj cihazı güvenliği



UYARI: Ürünü kullanmadan önce aşağıdaki uyarı talimatlarını okuyun.

- Güvenlik talimatlarına uyulmaması durumunda elektrik çarpması veya kısa devre riski vardır.
- Ürününüz için verilen başka akü şarj cihazı kullanmayın. Husqvarna 40-B140 yedek akülerini şarj ederken yalnızca 40-C80 şarj cihazlarını kullanın. Bkz. *Onaylı akü şarj cihazları sayfa: 204 ve Onaylı aküler sayfa: 204.*
- Akü şarj cihazını parçalarına ayırmaya çalışmayın.
- Hatalı veya hasarlı akü şarj cihazlarını kullanmayın.
- Akü şarj cihazını güç kablosundan tutup kaldırmayın. Akü şarj cihazını duvar prizinden çıkarmak için fişi çekin. Güç kablosunu çekmeyin.
- Tüm kabloları ve uzatma kablolarını sudan, yağdan ve keskin köşelerden uzakta tutun. Kablonun kapı, çit veya benzeri yerlere takılmadığından emin olun.
- Akü şarj cihazını, yanıcı malzemelerin veya korozyona neden olabilecek malzemelerin yakınında kullanmayın. Akü şarj cihazının üstünün kapalı olmadığından emin olun. Duman veya ateş çıkması durumunda akü şarj cihazının fişini çekip çıkarın.

- Aküyü yalnızca kapalı alanda, iyi hava akışı olan ve güneş ışığından uzak bir yerde şarj edin. Aküyü dış mekanda şarj etmeyin. Aküyü ıslak koşullarda şarj etmeyin.
- Akü şarj cihazını yalnızca 5°C (41°F) ile 40°C (104°F) arasındaki sıcaklıklarda kullanın. Şarj cihazını iyi hava akışı olan kuru ve tozsuz bir ortamda kullanın.
- Akü şarj cihazının soğutma deliklerine herhangi bir nesne koymayın.
- Akü şarj cihazında kısa devre oluşabileceği için şarj cihazının terminallerini metal nesnelere bağlamayın.
- Hasarlı olmayan onaylı duvar prizlerini kullanın. Akü şarj cihazı kablosunun hasarlı olmadığından emin olun. Uzatma kabloları kullanılıyorsa uzatma kablolarının hasarlı olmadığından emin olun.

Bakım için güvenlik talimatları



UYARI: Ürün üzerinde bakım yapmadan önce aşağıdaki uyarı talimatlarını okuyun.

- Makine bakım, inceleme veya depolama veya bir aksesuar değişikliği için durdurulduğunda, herhangi bir inceleme, ayar vb. yapmadan önce makinenin soğumasını bekleyin. Makinenin bakımını özenle yapın ve temiz tutun.
- Bakım ve diğer kontrolleri gerçekleştirmeden veya ürünü monte etmeden önce aküyü çıkarın.
- Operatör, yalnızca bu kullanım kılavuzunda gösterilen bakım ve servis işlemlerini uygulamalıdır. Daha geniş çaplı bakım ve servis için servis bayinize iletişime geçin.
- Ürünün güvenli çalışma durumunda olduğundan emin olmak için tüm somunları, civataları ve vidaları sıkı tutun.
- Aşınmış veya hasarlı parçaları değiştirin.
- Bakım yapmamanız ürünün kullanım ömrünü azaltır ve kaza riskini artırır.
- Ürünün güvenlik araçları başta olmak üzere tüm servis ve onarım işlemleri için özel eğitim gerekir. Bakım yaptıktan sonra bu kullanım kılavuzundaki tüm kontroller onaylanmazsa servis bayinize iletişime geçin. Ürününüz için profesyonel onarım ve servis hizmetinin mevcut olduğunu garanti ederiz.
- Sadece orijinal yedek parça kullanın.

Montaj

Yaprak üfleyci modu



UYARI:

Rotor bıçakları döndüğünde veya ürün yanlışlıkla çalıştığında kesik yaralanması meydana gelebilir. Ürünü monte etmeden önce aküyü çıkarın ve rotor bıçaklarının durmasını bekleyin.

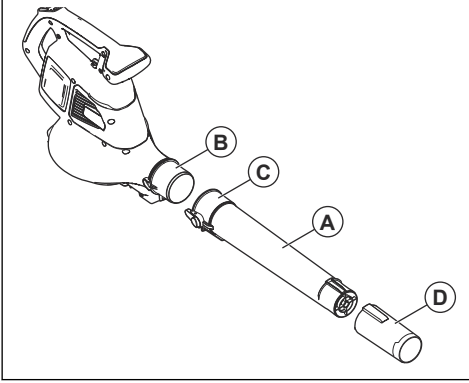


UYARI: Ürünü yaprak üfleyci modunda kullanmadan önce yaprak üfleyci borusunu ve giriş kapağını tamamen monte edin.

Yaprak üfleyici borusunu monte etme

Not: Yaprak üfleyici borusu doğru şekilde monte edilmediğinde, bir güvenlik anahtarı yaprak üfleyicinin çalışmasını önler.

1. Yaprak üfleyici borusunu (A) yaprak üfleyici çıkışına (B) doğru itin. Bir tık sesi duyduğunuzda güvenlik kilidi (C) devreye girer.

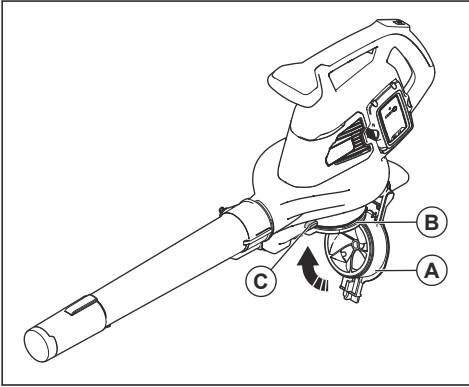


2. Yaprak üfleyici ucunu (D) yaprak üfleyici borusuna takın. Yaprak üfleyici ucu yerine oturduğunda bir tık sesi duyarsınız.

Emme kapağını takma

Not: Giriş kapağı doğru şekilde takılmadığında, bir güvenlik anahtarı yaprak üfleyicinin çalışmasını engeller.

- Yaprak üfleyici girişindeki (B) giriş kapağını (A) kapatın. Bir tık sesi duyduğunuzda güvenlik kilidi (C) devreye girer.



Vakum modu



UYARI: Ürünü vakum modunda kullanmadan önce vakum borusunu ve toplama torbasını tamamen monte edin.

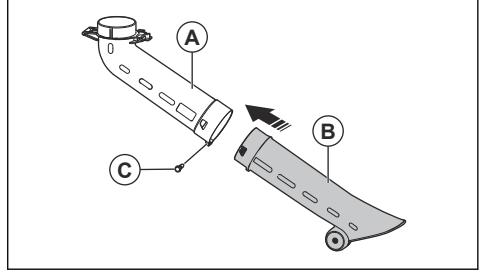
Vakum borusunu monte etme



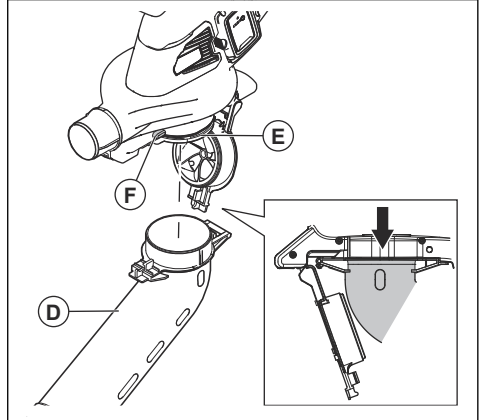
UYARI: Ürünü çalıştırmadan önce üst ve alt vakum borularını monte edin.

Not: Vakum borusu doğru şekilde monte edilmediğinde, bir güvenlik anahtarı vakumun başlamasını engeller.

1. Üst vakum borusu (A) üzerindeki yuvaları alt vakum borusu (B) üzerindeki tırnaklarla hizalayın.



2. Alt vakum borusunu tık sesi duyana kadar üst vakum borusunun üzerine itin.
3. Vidayı (C) sıkın.
4. Vakum borusunu (D) vakum girişine (E) takın. Bir tık sesi duyduğunuzda güvenlik kilidi (F) devreye girer.



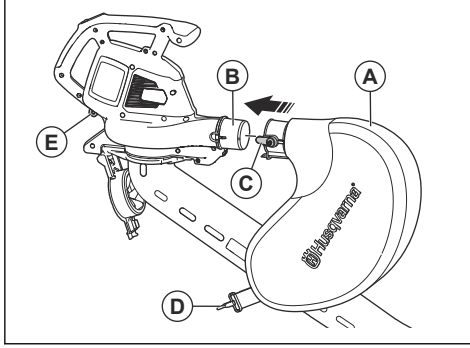
Toplama torbasını monte etme

Not: Toplama torbası doğru şekilde monte edilmezse bir güvenlik anahtarı ürün başlatma prosedürünü durdurur.

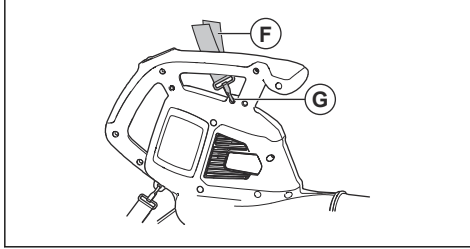


UYARI: Torbayı takmadan veya çıkarmadan önce makineyi durdurun.

1. Ürüne takılıysa yaprak üfleyici borusunu çıkarın.
2. Toplama torbasını (A) vakum çıkışına (B) itin. Bir tık sesi duyduğunuzda güvenlik kilidi (C) devreye girer.



3. Toplama torbası kayışını (D) tutucuyla (E) bağlayın.
4. Omuz kayışını (F) tutucuyla (G) bağlayın.



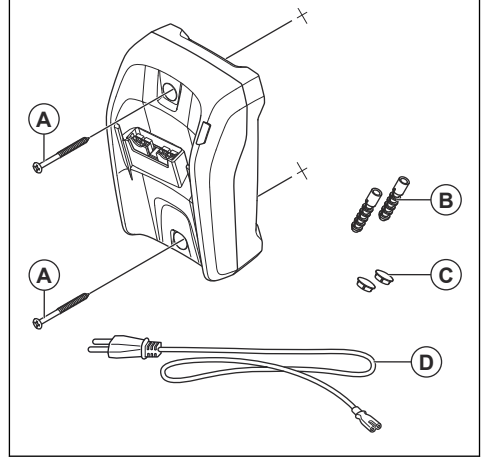
5. Toplama torbasının tamamen kapalı olduğundan emin olun.

Akü şarj cihazını duvara monte etme



DİKKAT: Akü şarj cihazını duvara monte etmek için elektrikli tornavida kullanmayın. Elektrikli tornavida, akü şarj cihazına zarar verebilir.

1. Akü şarj cihazını, 2 vida (A) ile duvara monte edin. Gerekirse dübel (B) kullanın.



2. 2 vida deliği dübelini (C) takın.
3. Güç kablosunu (D) akü şarj cihazına ve duvar prizine bağlayın.

Çalışma

Giriş



UYARI: Ürünü kullanmadan önce güvenlik bölümünü okuyup anlayın.

Ürünü kullanmadan önce işlev kontrolü yapma

1. Kir ve çatlak olup olmadığını görmek için hava girişini kontrol edin. Bir fırça kullanarak üründeki çim ve yaprakları temizleyin.
2. Ürünün doğru şekilde çalıştığından emin olun.

3. Tüm somun ve vidaları kontrol edin ve sıkı olduklarından emin olun.

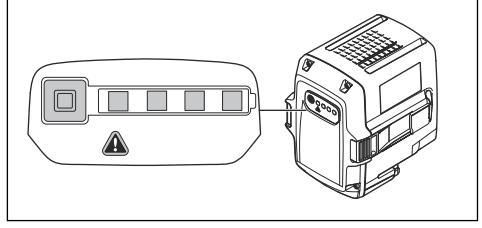
Akü



UYARI: Aküyü kullanmadan önce güvenlik bölümünü okuyup anlayın. Akü ve akü şarj cihazına ait kullanım kılavuzunu da okuyup anlamalısınız.

Aküyü ve akü şarj cihazını doğru ortam sıcaklıklarında tutun.

	Ortam sıcaklığı
Akú çalışma sıcaklığı	5°C-40°C / 41°F-104°F
Akú şarj etme sıcaklığı	5°C-40°C / 41°F-104°F



Akú durumu

Ekranda, şarj durumu ve aküyle ilgili sorun olup olmadığı gösterilir.

LED göstergesi	Akú şarj olma durumu
4 LED ışık yanıyor	Akú %76 - %100 doludur.
3 LED ışık yanıyor	Akú %51 - %75 doludur.
2 LED ışık yanıyor	Akú %26 - %50 doludur.
1 LED ışık yanıyor	Akú %6 - %25 doludur.
1 LED ışık yanıp sönüyor	Akú %0 - %5 doludur.

Aküü şarj etme

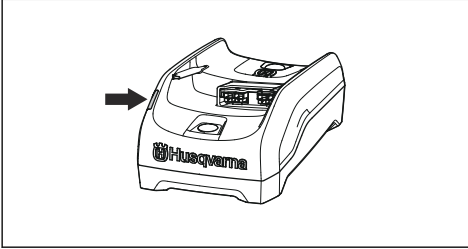
Aküü ilk defa kullanacaksanız şarj edin. Yeni bir akünün şarjı %30 seviyesindedir.



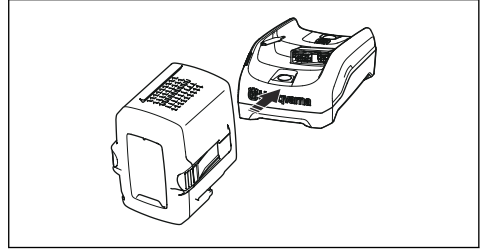
DİKKAT: Akü şarj cihazını nominal değerler plakasında belirtilen voltaj ve frekansa sahip bir güç çıkışına bağlayın.

Akü sıcaklığı 50°C'nin/122°F üzerindeyse akü şarj olmaz.

1. Güç kablosunu akü şarj cihazına bağlayın.
2. Akü şarj cihazını topraklı bir prize takın. Şarj LED'i bir kez yanıp söner.



3. Aküü akü şarj cihazına bağlayın. Şarj LED'i yanar. Aküü en fazla 24 saat boyunca şarj edin.



4. Akü göstergesi düğmesine basın; tüm LED göstergeler yanarsa akü tamamen şarj olmuştur.
5. Akü şarj cihazının prizle bağlantısını kesmek için elektrik fişini çekin. Güç kablosunu çekmeyin.
6. Aküü, akü şarj cihazından çıkarın.

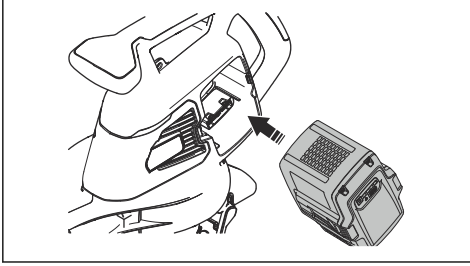
Aküü ürüne bağlama



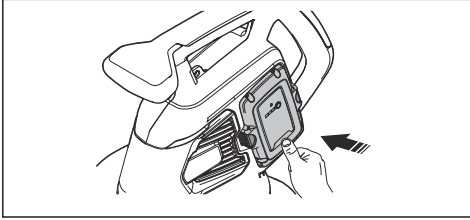
UYARI: Üründe yalnızca Husqvarna orijinal akülerini kullanın.

1. Akünün tamamen şarj edilmiş olduğundan emin olun.

2. Aküyü, ürünün akü tutucusuna yerleştirin. Akü kolay şekilde yerine oturmalıdır, oturmuyorsa düzgün takılmamış demektir.

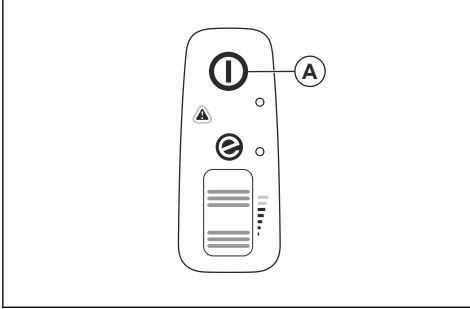


3. Akünün alt kısmına bastırın ve mümkün olduğu kadar akü bölmesinin içine itirin. Akü yerine kilitlendiğinde bir tık sesi duyarsınız.
4. Mandalların düzgün şekilde yerine oturduğundan emin olun.

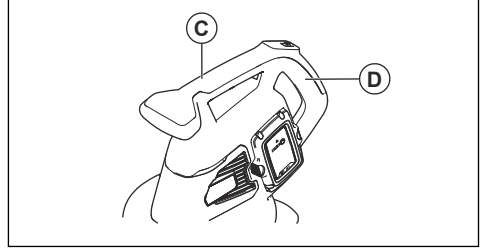


Ürünü çalıştırma

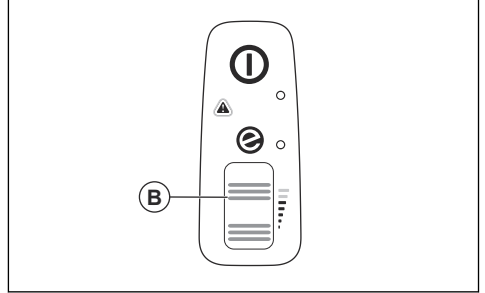
1. Yeşil LED yanana kadar çalıştırma/durdurma düğmesini (A) basılı tutun.



2. Bir elinizle yardımcı tutma yerini (C) diğer elinizle de ana tutma yerini (D) tutun.

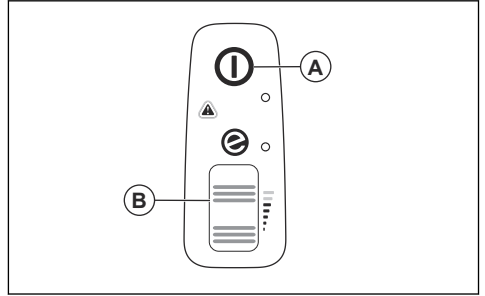


3. Yaprak üfleyici modunu veya vakum modunu başlatmak için güç tekerleğini (B) yukarı kaydırın.



Ürünü durdurma

1. Yaprak üfleyici modelini veya vakum modunu durdurmak için güç tekerleğini (B) aşağı kaydırın.

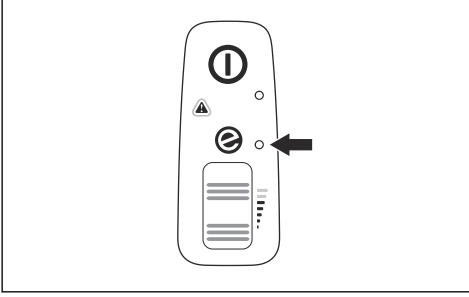


2. Yeşil LED sönene kadar çalıştırma/durdurma düğmesini (A) basılı tutun.

ECO modu

ECO modu, akünün kullanım ömrünü uzatır.

- ECO modunu başlatmak için güç tekerleğini aşağı kaydırın. ECO modu başlatıldığında LED yanar.



- Normal modu başlatmak için güç tekerleğini yukarı kaydırın. Normal mod başlatıldığında LED söner.

1. Ürünü durdurun.
2. Toplama torbasını çıkarın.
3. Toplama torbasının iç tarafını dışa doğru çevirin ve toplanan nesnelere çıkarın.
4. Toplama torbasını bir su hortumuyla temizleyin.
5. Toplama torbasını kurumaya bırakın.
6. Toplama torbasını monte edin.

Otomatik kapatma işlevi

Üründe, kullanılmadığında ürünü durduran bir otomatik kapatma işlevi vardır. Ürün 1 dakika sonra kapanır.

Toplama torbasını boşaltma



UYARI:

Keskin nesnelere yaralanmaya neden olabilir. Torbayı boşaltırken ellerinizi toplama torbasına koymayın.

Bakım

Giriş



UYARI:

Herhangi bir bakım işlemi yapmadan önce güvenlik bölümünü okuyup anlamalısınız.

Bakım takvimi



UYARI: Bakım yapmadan önce aküyü çıkarın.

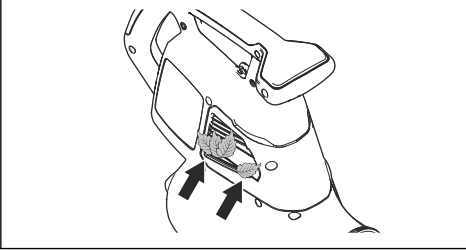
Ürün üzerinde yapmanız gereken bakım adımları aşağıda listelenmiştir.

Bakım	Günlük	Haftalık	Aylık
Dış yüzeyi temiz ve kuru bir bezle temizleyin. Su kullanmayın.	X		
Tutma yerlerini kuru, temiz, gres ve yağdan arındırılmış halde tutun.	X		
Çalıştırma/durdurma düğmesinin doğru şekilde çalıştığından ve hasarlı olmadığından emin olun.	X		
Güç tekerleğinin güvenlik açısından doğru şekilde çalıştığından emin olun.	X		
Somunların ve vidaların sıkı olup olmadığını kontrol edin.	X		
Aküde hasar olup olmadığını kontrol edin.	X		
	X		
Aküdeki ayırma düğmelerinin doğru şekilde çalıştığından ve akünün ürüne sabitlendiğinden emin olun.	X		
Akü şarj cihazında hasar olup olmadığını kontrol edin ve cihazın doğru şekilde çalıştığından emin olun.	X		
Tüm bağlantı parçalarını, bağlantıları ve kabloları hasara karşı kontrol edin ve bunların temiz olduğundan emin olun.		X	

Bakım	Günlük	Haftalık	Aylık
Akü ile ürün arasındaki bağlantıları ve ayrıca akü ile akü şarj cihazı arasındaki bağlantıyı kontrol edin.			X
Hava deliklerini yumuşak bir fırçayla temizleyin (tornavida kullanmayın).	X		
Yaprak üfleyci borusunu veya vakum borusunu çıkarın ve temizleyin.	X		
Toplama torbasını boşaltın ve temizleyin. Bkz. <i>Toplama torbasını boşaltma sayfa: 200.</i>	X		
Giriş açıklığından ve giriş kapağından çim, yaprak, kir veya istenmeyen malzemeleri temizleyin.	X		
Fan pervanesinde kirlenme olup olmadığını inceleyin ve gerekirse fan pervanesini kör, uzun bir nesneyle temizleyin.	X		

Hava girişini kontrol etme

1. Ürünün yanlarındaki hava girişinin tıkalı olmadığından emin olun.



2. Gerekirse ürünü durdurun ve yaprakları veya istenmeyen malzemeleri temizleyin.



DİKKAT: Tıkalı bir hava girişi, ürünün üfleme kapasitesini azaltır ve motorun çalışma sıcaklığını artırır. Motor

aşırı ısındığı için bu durum motor arızasına neden olabilir.

Aküyü ve akü şarj cihazını kontrol etme

1. Aküyü çatlak gibi hasarlara karşı kontrol edin.
2. Akü şarj cihazını çatlak gibi hasarlara karşı kontrol edin.
3. Akü şarj cihazının bağlantı kablосunun hasarlı olmadığını ve üzerinde çatlaklar bulunmadığını kontrol edin.

Ürünü, aküyü ve akü şarj cihazını temizleme

1. Kullandıktan sonra ürünü kuru bir bezle temizleyin.
2. Aküyü ve akü şarj cihazını kuru bir bezle temizleyin. Pil kılavuz raylarını temiz tutun.
3. Aküyü, akü şarj cihazına veya ürüne yerleştirmeden önce akü ve akü şarj cihazının terminallerinin temiz olduğundan emin olun.

Sorun giderme

Kullanıcı arayüzü

Kullanıcı arayüzü	Olası arızalar	Olası çözüm
Kırmızı hata LED'i yanıp sönmüyor.	Sıcaklık değişimi.	Ürünün soğumasını bekleyin.
	Boru veya fan kapağı çıkarılır.	Boruyu veya fan kapağını monte edin.
	Akü hatası.	Aküyü değiştirin veya şarj edin.
	Servis gereklidir.	Servis bayinize danışın.

Kullanıcı arayüzü	Olası arızalar	Olası çözüm
Ürün çalışmıyor.	Akü konektörlerinde kir.	Basınçlı hava veya yumuşak bir fırça ile temizleyin.

Akü

LED ekran	Olası arızalar	Olası çözüm
Yeşil renkli LED yanıp sönüyor.	Düşük akü voltajı.	Aküyü şarj edin.
Hata LED'i yanıp sönüyor.	Sıcaklık değişimi.	Aküyü -10°C (14°F) ile 40°C (104°F) arasındaki sıcaklıklarda kullanın.
	Voltaj çok yüksek.	Şebeke voltajının, ürünün voltajıyla uyumlu olduğundan emin olun. Ürün üzerindeki nominal değerler plakasına bakın. Aküyü, akü şarj cihazından çıkarın.
Hata LED'i yanar.	Çok fazla hücre farkı (1 V).	Servis bayinize danışın.

Akü şarj cihazı

Durum	Olası arızalar	Olası prosedür
Şarj LED'i kırmızı renkte yanıyor.	Akü şarj cihazında kalıcı hata.	Bayinize başvurun.
Şarj LED'i yeşil renkte yanıp sönüyor.	Sıcaklık saptması. Akü kullanmak veya şarj etmek için fazla soğuk ya da fazla sıcaktır.	Akünün soğumasını bekleyin veya ısınmasını sağlayın. Akü doğru sıcaklığa geldiğinde tekrar kullanılabilir veya şarj edilebilir. Akü şarj cihazını 5°C (41°F) ile 40°C (104°F) arasındaki ortam sıcaklıklarında kullanın.
Şarj LED'i kırmızı renkte yanıp sönüyor.	Arızalı akü	Bayinize başvurun.

Taşıma, depolama ve atma

Taşıma ve depolama

- Ürün ile birlikte verilen Lityum İyon aküler, Tehlikeli Maddeler Yönetmeliklerinin gereksinimlerini karşılamaktadır.
- Üçüncü taraflar ve aracı nakliye şirketleri de dahil olmak üzere, ticari amaçlı taşıma işlemlerinde ambalaj ve etiketler üzerindeki özel gereksinimlere uyun.

- Ürünü göndermeden önce tehlikeli maddeler konusunda özel eğitim almış bir kişiyle görüşün. Yürürlükteki tüm ulusal yönetmeliklere uyun.
- Aküyü bir ambalaja yerleştireceğiniz zaman açık kontakları bantlayın. Aküyü ambalaj içine hareket etmesini engelleyecek şekilde sıkıca yerleştirin.
- Depolamadan önce her zaman makinenin soğumasını bekleyin.
- Depolama veya taşıma için aküyü çıkarın.
- Aküyü ve akü şarj cihazını nem ve don olmayan kuru bir yerde saklayın.

- Aküyü statik elektriğin oluşabileceği yerlerde saklamayın. Aküyü metal bir kutuda tutmayın.
- Aküyü, sıcaklığı 5°C/41°F ile 25°C/77°F arasında olan ve doğrudan güneş ışığı almayan bir yerde tutun.
- Akü şarj cihazını, sıcaklığı 5°C/41°F ile 45°C/113°F arasında olan ve doğrudan güneş ışığı almayan bir yerde tutun.
- Akü şarj cihazını yalnızca ortam sıcaklığı 5°C/41°F ile 40°C/104°F arasındayken kullanın.
- Uzun süreli depolamadan önce aküyü %30-%50 arasındaki bir seviyeye kadar şarj edin.
- Akü şarj cihazını, kapalı ve kuru bir alanda saklayın.
- Depolama sırasında aküyü akü şarj cihazından uzakta tutun. Çocukların ve diğer izinsiz kişilerin ekipmana dokunmasına izin vermeyin. Ekipmanı kilitleyebileceğiniz bir yerde tutun.
- Uzun süreli depolamadan önce ürünü temizleyin ve ürüne eksiksiz bir bakım yapın.
- Taşıma ve depolama sırasında yaralanmaları veya ürünün hasar görmesini önlemek için taşıma siperliğini kullanın.

- Taşıma sırasında ürünü güvenli bir şekilde sabitleyin.

Akünün, akü şarj cihazının ve ürünün bertaraf edilmesi

Aşağıdaki sembol, ürünün evsel atık olmadığını gösterir. Ürünü, elektrikli ve elektronik ekipmanlar için bir geri dönüşüm istasyonunda geri dönüştürün. Bu, çevrenin ve insanların zarar görmesini önlemeye yardımcı olur.

Daha fazla bilgi için yerel yetkililerle, evsel atık servisiyle veya bayinizle görüşün.



Not: Sembol, ürün veya ürün paketi üzerinde gösterilir.

Teknik veriler

Teknik veriler

	120iBV
Motor	
Motor tipi	BLDC (fırçasız) 36 V
Ağırlık	
Aküsüz ağırlık, kg	4,6
Gürültü emisyonu ³¹	
Ses gücü düzeyi, ölçülmüş dB (A)	97
Ses gücü düzeyi, garantili L _{WA} dB (A)	100
Ses düzeyleri ³²	
EN ISO 11203 ve ISO 22868 uyarınca ölçülen operatörün kulağındaki eş değer ses basıncı düzeyi, dB(A):	84
Titreşim düzeyleri ³³	
ISO 22867 uyarınca ölçülen ön/arka tutma yerlerindeki titreşim düzeyleri, m/sn ²	1,4/1,7

³¹ 2000/14/AT sayılı AT direktifi uyarınca ses gücü (L_{WA}) olarak çevrede ölçülen gürültü emisyonu düzeyi. Makine için bildirilen ses gücü düzeyi, en yüksek düzeyi veren orijinal kesme ataşmanıyla ölçülmüştür. Garanti edilen ve ölçülen ses gücü arasındaki fark, garantili ses gücünün 2000/14/AT Sayılı Direktif doğrultusunda ölçüm sonucundaki dağılımı ve aynı modelden farklı makineler arasındaki değişimleri de içermesidir.

³² Makinenin eş değer ses basıncı düzeyi için bildirilen verilerdeki tipik istatistiksel dağılım (standart sapma) 3 dB (A) değerindedir.

³³ Titreşim düzeyi için bildirilen verilerdeki tipik istatistik dağılım (standart sapma) 1,5 m/sn² şeklindedir.

	120iBV
Fan performansı	
Standart nozül ile normal modda hava akışı, m ³ /dak	6,7
Standart nozül ile normal modda maksimum hava hızı, m/sn / mil/sa	50/111

Gürültü ve titreşim verileri, nominal maksimum hız temel alınarak belirlenir.

Onaylı aküler

Bu ürün için yalnızca Husqvarna orijinal 40-B akülerini kullanın.

Onaylı aküler

Akü	40-B140
Tip	Lityum iyon
Akü kapasitesi, Ah	4
Nominal voltaj, V	36
Ağırlık, kg	1,25

Onaylı akü şarj cihazları

Akü şarj cihazı	40-C80
Şebeke voltajı, V	100-240
Frekans, Hz	50-60
Güç, W	72
Çıkış Voltajı, V d.c./ Amper, A	43/1,6

Uyumluluk Bildirimi

AB Uyumluluk Bildirimi

Biz, **Husqvarna AB**, SE-561 82 Huskvarna, İSVEÇ, tel: +46-36-146500 olarak tek sorumlu vasfıyla ürüne ilişkin aşağıdaki beyanlarda bulunmaktayız:

Açıklama	El tipi bahçe yaprak üfleyici/vakum
Marka	Husqvarna
Tip/Model	120iBV
Kimlik	2022 ve sonraki tarihli seri numaraları

aşağıdaki AB direktifleri ve yönetmelikleriyle tamamen uyumludur:

Düzenleme	Açıklama
2006/42/AT	"makinelere ilgili"
2014/30/AB	"elektromanyetik uyumlulukla ilgili"
2011/65/AB	"elektrikli ve elektronik ekipmanlarda belirli tehlikeli maddelerin kullanımının kısıtlanmasıyla ilgili"
2000/14/AT	"çevredeki gürültü emisyonlarıyla ilgili"

ve aşağıdaki standartlar ve/veya teknik özellikler uygulanmıştır: EN 60335-1:2012+A11+A13+A14+A2+A15, EN 50636-2-100:2014, EN IEC 63000:2018, EN ISO 12100:2010, EN IEC 55014-1:2021; EN IEC 55014-2:2021

2000/14/AT direktifi, Ek V ile uyumlu olarak açıklanan ses değerleri için bkz. *Teknik veriler sayfa: 203*.

Huskvarna, 2023-01-16



Claes Losdal, AR-GE Müdürü, Husqvarna AB

Teknik dokümantasyon sorumlusu

Türk ithalat şirketi daha fazla bilgi için temas edilecek:
Çullas Orman Bahçe ve Tarım Mak. San. Tic. A.Ş.
Suadiye Mh. Bağdat Cd. No:455/4
Kadıköy – 34740 İstanbul / Türkiye
Telefon: +90 216 519 88 82
Faks: +90 216 519 88 78
info@cullas.com.tr

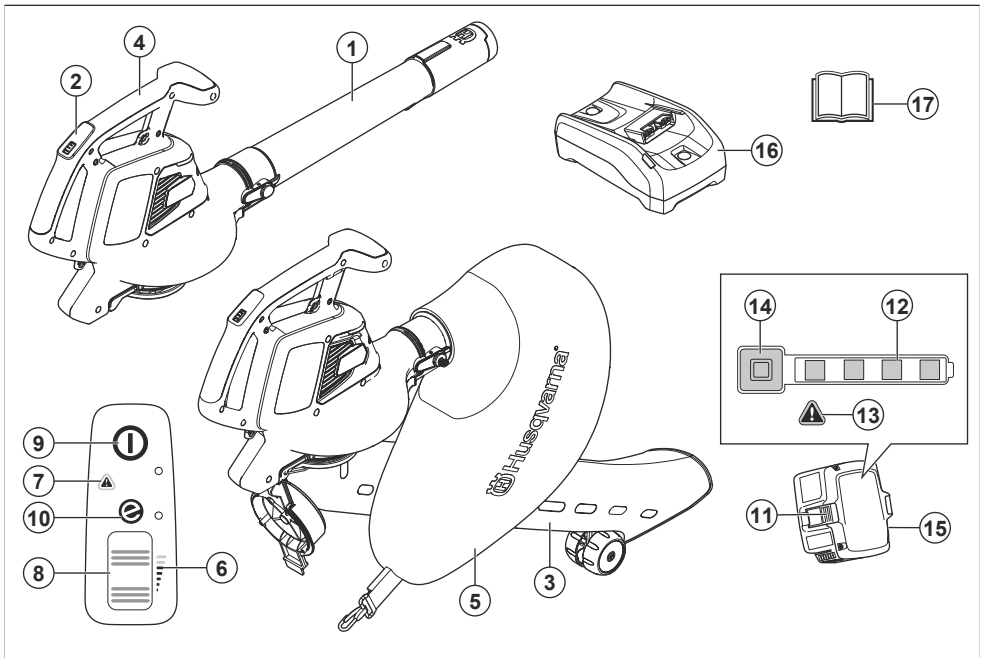


Innehåll

Introduktion.....	206	Felsökning.....	218
Säkerhet.....	208	Transport, förvaring och kassering.....	219
Montering.....	212	Tekniska data.....	220
Drift.....	214	Försäkran om överensstämmelse.....	222
Underhåll.....	217		

Introduktion

Produktöversikt



1. Bläsarrör
2. Knappsats
3. Sugrör
4. Handtag
5. Uppsamlare
6. Lufflödesindikator
7. Varningsindikator (lysdiod för fel)
8. Drivhjul
9. Start-/stopppknapp
10. SavE-indikator
11. Frigöringsknapp för batteri
12. Batteristatus
13. Varningsindikator (lysdiod för fel)
14. Ström- och varningsindikator
15. Batteri, medföljer endast Husqvarna 120iBV bläsarkit
16. Batteriladdare, medföljer endast Husqvarna 120iBV bläsarkit
17. Bruksanvisning

Produktbeskrivning

Husqvarna 120iBV är en trädgårdsblåsare/sug med en elektrisk motor.

Vi arbetar ständigt med att vidareutveckla våra produkter och förbehåller oss därför rätten till ändringar beträffande produkternas form och utseende utan föregående meddelande.

Avsedd användning

Blåsarläge: Blåsaren är utformad för att blåsa bort smutspartiklar och gräsrester från gångar, uppfarter, innergårdar och liknande. Den är också utformad för att blåsa gräsrester, strån och löv för att skapa högar, samt för att avlägsna smutspartiklar från hörn, leder eller mellanrum mellan plattor och tegelstenar.

Sugläge: Sugan är utformad för att suga upp torrt material. Det kan exempelvis vara löv, gräs, små kvistar och pappersbitar.

Symboler på produkten



WARNING! Den här produkten kan vara farlig och kan orsaka allvarlig eller livshotande skada för användaren och andra. Var försiktig och använd produkten på rätt sätt.



Läs noggrant igenom bruksanvisningen och se till att du förstår innehållet innan du använder produkten.



Använd godkänt ögonskydd.



Märkspänning, V



Likström.



Miljömärkning för bulleremission enligt direktiv och bestämmelser för EU och Storbritannien samt New South Wales-lagen "Protection of the Environment Operations (Noise Control) Regulation 2017". Produktens garanterade ljudeffektnivå anges i *Tekniska data på sida 220* och på etiketten.



Koppla bort batteriet före underhåll.



Produkten eller dess förpackning är inte hushållsavfall. Återvinn den vid en återvinningsstation för elektrisk och elektronisk utrustning.



Produkten överensstämmer med gällande EG-direktiv.



Denna produkt överensstämmer med gällande brittiska direktiv.



Utsätt inte för regn.



Vänta tills rotorbladen stannar när du har stängt av produkten.



Använd endast produkten i sugläge när röret är helt monterat.



Användaren ska se till att inga människor eller djur kommer närmare än 15 meter. Om flera användare arbetar på samma plats ska säkerhetsavståndet vara minst 15 meter. Blåsaren kan våldsamt kasta iväg föremål som kan studsas tillbaka. Detta kan leda till allvarliga ögonskador om inte rekommenderad skyddsutrustning används.



åååå vxoooo

Typskylten visar serienumret. **yyyy** är produktionsåret och **vv** är produktionsveckan.

Notera: Övriga symboler/dekaler på tillbehöret avser specifika krav för certifieringar på vissa marknader.

Symboler på batteriet och/eller på batteriladdaren



Återvinn produkten vid en återvinningsstation för elektrisk och elektronisk utrustning. (Gäller endast Europa)



Transformator med automatisk säkerhetsanordning.



Använd och förvara endast batteriladdaren inomhus.



Dubbelisolerad.

Tillverkare

Husqvarna AB

Drottninggatan 2, SE-561 82 Huskvarna

Produktskada

Vi ansvarar inte för skador på vår produkt om:

- produkten repareras felaktigt
- produkten repareras med delar som inte kommer från tillverkaren eller inte har godkänts av tillverkaren
- produkten har ett tillbehör som inte kommer från tillverkaren eller inte har godkänts av tillverkaren
- produkten inte repareras vid ett godkänt servicecenter eller av en godkänd person.

Säkerhet

Säkerhetsdefinitioner

Varningar, försiktighetsåtgärder och anmärkningar används för att betona speciellt viktiga delar i bruksanvisningen.



WARNING: Används om det finns risk för skador eller dödsfall för föraren eller kringstående om anvisningarna i bruksanvisningen inte följs.



OBSERVERA: Används om det finns risk för skada på produkten och/eller tillbehör, annat material eller det angränsande området om anvisningarna i bruksanvisningen inte följs.

Notera: Används för att ge mer information som är nödvändig i en viss situation.

Allmänna säkerhetsanvisningar



WARNING: Läs varningsinstruktionerna nedan innan du använder produkten.

- Läs instruktionerna noggrant för att känna till maskinens reglage och funktion. Felaktig eller slarvig användning av produkten kan göra den till ett farligt redskap, som kan orsaka allvarlig, till och med livshotande, skada för användaren och andra.
- Enhetens ursprungliga utformning får inte under några omständigheter ändras utan tillstånd från tillverkaren. Använd aldrig en produkt som modifierats så att den ej längre överensstämmer med originalutförandet och använd alltid originaltillbehör. Icke auktoriserade ändringar och/eller tillbehör kan medföra allvarliga skador eller dödsfall för föraren eller andra. Garantin kanske inte omfattar skador som orsakas av användning av icke godkända tillbehör eller reservdelar.

- Denna produkt alstrar ett elektromagnetiskt fält under drift. Detta fält kan under vissa omständigheter ge påverkan på aktiva eller passiva medicinska implantat. För att reducera risken för omständigheter som kan leda till allvarliga eller livshotande skador rekommenderar vi därför personer med implantat att rådgöra med läkare samt tillverkaren av det medicinska implantatet innan denna maskin används.
- Ta bort batteriet från produkten före laddning.

Allmänna säkerhetsvarningar för elverktyg

Kontroll före start

- Inspektera arbetsområdet. Avlägsna alla lösa föremål, så som stenar, krossat glas, spikar, ståltråd, snören med mera, som kan slungas iväg.
- För att undvika ofrivillig start av maskinen ska alltid batteriet avlägsnas. Koppla alltid ur batteriet innan du utför underhåll på maskinen.
- Om maskinen har utsatts för stötår reparerar du eventuellt slitage och skador innan du använder den.
- Använd endast originaltillbehör.
- Användare av maskinen ska se till att inga människor eller djur kommer närmare än 15 meter under arbetet. När flera användare arbetar på samma område ska säkerhetsavståndet vara minst 15 meter.
- Gör en allmän kontroll av maskinen före användning, se underhållsschemat.
- Nationella eller lokala föreskrifter kan reglera användningen. Följ givna föreskrifter.

Personligt skydd

- **Var på din vakt, var uppmärksam på vad du gör och använd sunt förnuft när du använder ett elverktyg. Använd inte elverktyg om du är trött, har druckit alkohol eller om du har tagit andra droger eller mediciner.** Ett ögonblick av ouppmärksamhet när du använder ett elverktyg kan leda till allvarlig personskada.

- Håll kringstående på avstånd.
- Apparaten är inte avsedd för användning av personer (inklusive barn) med olika funktionshinder eller bristande erfarenhet och kunskap. De får endast använda apparaten under uppsikt eller om de får instruktioner om användning av apparaten av en person som ansvarar för deras säkerhet. Barn ska övervakas för att garantera att de inte leker med apparaten.
- Låt aldrig barn eller personer som inte känner till dessa instruktioner använda produkten. Lokala föreskrifter kan ange en åldersgräns för användning.
- Håll obehöriga på avstånd. Barn, djur, åskådare och medhjälpare ska befinna sig utanför säkerhetszonen på 15 meter. Stäng omedelbart av maskinen om någon närmar sig arbetsplatsen.
- Förvara utrustningen i ett låsbart utrymme så att den är oåtkomlig för barn och obehöriga.
- Använd inte maskinen på belagda ytor där material som slungas ut kan orsaka skador.
- Ha alltid ordentliga skor och långbyxor på dig när du använder maskinen. Använd aldrig maskinen barfota eller med öppna sandaler. Undvik att använda kläder som sitter löst eller har hängande snören eller band.
- Använd inte löst sittande kläder eller smycken som kan dras in i luftintaget. Håll långt hår borta från luftintagen.
- Använd aldrig maskinen om du är trött, om du har druckit alkohol eller om du tar mediciner som kan påverka din syn, ditt omdöme eller din kroppskontroll.
- Använd personlig skyddsutrustning. Se anvisningar under rubriken "Personlig skyddsutrustning".
- Ta alltid ur batteriet när maskinen lämnas över till en annan person.
- Kom ihåg att det är du som användare som ansvarar för att inte utsätta människor eller deras egendom för olyckor eller faror.
- Använd aldrig maskinen när det är dåligt väder, till exempel tjock dimma, regn, våt mark, kraftiga vindar, extrem kyla och risk för åskväder osv. Extremt varmt väder kan göra att maskinen överhettas. Att arbeta i dåligt väder är tröttsamt och kan skapa farliga omständigheter, exempelvis halt underlag.
- Om maskinen börjar vibrera onormalt mycket ska du stanna maskinen och ta ur batteriet.
- Gå – spring aldrig.

Säkerhetsinstruktioner för drift



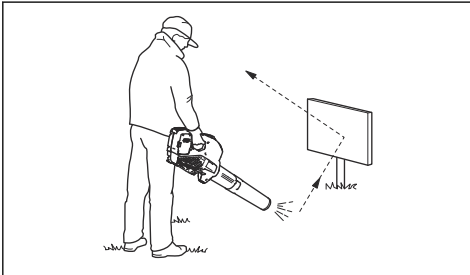
VARNING: Läs varningsinstruktionerna nedan innan du använder produkten.

- När du råkar ut för en situation som gör dig osäker angående fortsatt användning ska du rådfråga en expert. Kontakta din återförsäljare eller serviceverkstad. Undvik all användning du anser dig otillräckligt kvalificerad för.
- Se till att du kan gå och stå säkert. Titta efter eventuella hinder vid en oväntad förflyttning (rötter, stenar, grenar, gropar, diken osv.). Lakta stor försiktighet vid arbete i sluttande terräng.
- Håll god balans och säkert fotfäste under hela tiden. Sträck dig inte för långt.
- Var alltid uppmärksam på varningssignaler eller tillrop när hörselskydd används. Ta alltid av hörselskydden så snart du stängt av produkten.
- Använd inte produkten nära öppna fönster.
- Visa personer i din omgivning hänsyn genom att undvika att använda produkten under olämpliga tidpunkter, exempelvis sent på kvällen eller tidigt på morgonen. Följ lokala föreskrifter och bestämmelser.
- Använd produkten med lägsta möjliga luftflöde. Det är sällan nödvändigt att använda fullt luftflöde. Många arbetsmoment kan utföras med halvt luftflöde. Ett lägre luftflöde innebär mindre buller och mindre damm, och det är också lättare att ha kontroll över det skräp som samlas ihop/flyttas.
- Under dammiga förhållanden ska ytan fuktas lätt när produkten används.
- Använd en kratta eller en sopkvast för att lösgöra fastsittande skräp från marken.
- Håll blåsarens öppning så nära marken som möjligt.
- Var medveten om din omgivning. Rikta produkten bort från personer, djur, lekplatser, bilar osv.
- Minimera blästiden genom att fukta dammiga områden lätt eller med hjälp av sprututrustning.
- Var medveten om vindriktningen. Arbeta i vindens riktning för att underlätta ditt arbete.
- Stäng av produkten och ta ur batteriet om produkten börjar vibrera onormalt.
- Det är tidsödande att använda blåsaren för att flytta stora högar, och det skapar onödigt buller.
- Städa upp efter dig. Försäkra dig om att du inte har blåst in skräp på någons tomt.

Använda och underhålla elverktyg

- Använd aldrig en maskin som modifierats så att den ej längre överensstämmer med originalutförandet. Använd aldrig maskinen i närheten av explosiva eller lättantändliga material.
- Använd aldrig en maskin som är defekt. Följ säkerhets-, underhålls- och serviceinstruktioner i denna bruksanvisning. Vissa underhålls- och serviceåtgärder ska utföras av utbildade och kvalificerade specialister. Se anvisningar under rubrik Underhåll.
- Använd endast originaltillbehör.
- Se alltid till att ventilationsöppningarna är fria från skräp.
- Samtliga kåpor, skydd och handtag måste vara monterade före start.
- Använd maskinen endast i dagsljus eller under andra väl upplysta förhållanden.

- Spring inte med produkten.
- Den kraftiga luftströmmen kan förflytta föremål med sådan hastighet att de kan studsas tillbaka och leda till allvarliga ögonskador.



- Rikta inte luftflödet mot människor eller djur.
- Stanna motorn innan du monterar eller demonterar tillbehör eller andra delar.
- Håll alla delar av kroppen borta från heta ytor.
- Ställ aldrig ner produkten när den är påslagen utan att du har uppsikt över den.
- Stoppa maskinen och ta bort batteriet. Se till att alla rörliga delar har stannat helt
 - när du lämnar maskinen
 - innan du åtgärdar blockeringar eller rengör utkastet
 - innan du kontrollerar, rengör eller arbetar på maskinen.
- Stäng omedelbart av strömkällan och låt maskinen stanna om klippmekanismen träffar främmande föremål eller om maskinen ger ifrån sig ovanliga ljud eller vibrationer. Koppla bort batteriet från maskinen och vidta följande åtgärder innan du startar och använder maskinen igen:
 - Undersök om det finns skador.
 - Byt ut eller reparera skadade delar.
 - Kontrollera och dra åt lösa delar.
- Stäng av strömkällan och koppla bort maskinen från batteriet innan du tar bort oönskat material om maskinen blir igensatt.
- Transportera inte maskinen när strömförsörjningen är påslagen.
- Luta inte maskinen när strömförsörjningen är påslagen.
- Blåsaren får inte användas på stegar eller ställningar.



- Använd aldrig produkten utan möjlighet att kunna påkalla hjälp i händelse av olycka.
- Varning för utslungade föremål. Stenar, skräp m.m. kan kastas upp i ögonen och vålla blindhet eller allvarliga skador.
- Du kan öka säkerheten när du laddar produkten genom att använda en jordfelsbrytare. Jordfelsbrytare är till för att skydda användaren om ett elektriskt fel skulle uppstå.
- Denna produkt utmärker sig genom sin låga vibrationsbelastning. Överexponering av vibrationer kan leda till blodkärls- eller nervskador hos personer som har blodcirkulationsstörningar. Uppsök läkare om ni upplever kroppsliga symptom som kan relateras till överexponering av vibrationer. Exempel på sådana symptom är domningar, avsaknad av känsel, "kittlingar", "stickningar", smärta, avsaknad eller reducering av normal styrka, förändringar i hudens färg eller dess yta. Dessa symptom uppträder vanligtvis i fingrar, händer eller handleder.
- Använd endast produkten för det arbete den är avsedd för.
- Det är omöjligt att täcka alla tänkbara situationer du kan ställas inför. Var alltid försiktig och använd sunt förnuft. Undvik situationer som du anser dig otillräckligt kvalificerad för. Om du efter att ha läst dessa instruktioner fortfarande känner dig osäker angående tillvägagångssätt ska du rådfråga en expert innan du fortsätter.

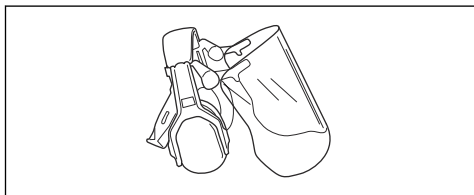
Personlig skyddsutrustning



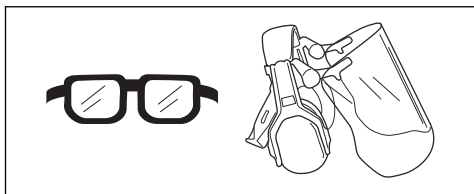
VARNING: Läs varningsinstruktionerna nedan innan du använder produkten.

- Använd alltid godkänd personlig skyddsutrustning när du använder produkten. Personlig skyddsutrustning kan inte eliminera skaderisken helt, men den reducerar effekten av en skada vid ett eventuellt olyckstillbud. Be din återförsäljare om hjälp med att välja rätt utrustning.
- Långvarig exponering för buller kan ge hörselskador. Batteridrivna produkter är i allmänhet relativt tysta men skador kan uppstå genom en kombination av ljudnivå och långvarig användning. rekommenderar att användaren har hörselskydd vid användning av produkten under en längre sammanhängande

period av dagen. Personer som använder produkten kontinuerligt och regelbundet bör kontrollera hörseln regelbundet. Observera att hörselskydd begränsar förmågan att höra ljud och varningssignaler.



- Använd godkänt ögonskydd. Används visir måste även godkända skyddsglasögon användas. Godkända skyddsglasögon måste uppfylla standarden ANSI Z87.1 i USA eller SS-EN 166 i EU-länder.



- Ha på dig kläder i slitstarkt material. Bär alltid kraftiga långbyxor och överdel med långa ärmar. Använd inte löst sittande kläder som kan fastna i kvistar och grenar. Bär inte smycken, kortbyxor eller sandaler och gå inte barfota. Sätt upp håret ordentligt så att det inte hänger nedanför axlarna.
- Ha första förband nära till hands.



- Andningsskydd ska användas då det finns risk för damm.

Säkerhetsanordningar på produkten



WARNING: Läs varningsinstruktionerna nedan innan du använder produkten.

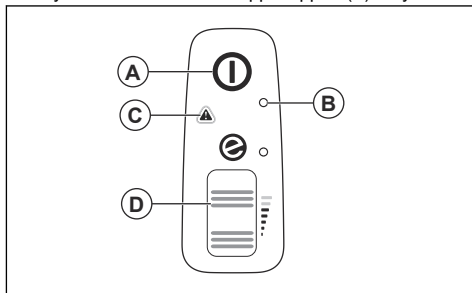
- I detta avsnitt beskrivs produktens säkerhetsfunktioner, dess syfte samt hur kontroller och underhåll ska utföras för att säkerställa att den fungerar korrekt. Se anvisningar under rubrik *Produktöversikt på sida 206* för att ta reda på var dessa delar finns på din produkt.
- Produktens livslängd kan förkortas och risken för olyckor kan öka om underhåll av produkten inte utförs på rätt sätt och om service och/eller reparationer inte utförs av specialutbildade tekniker.

Kontakta din serviceverkstad om du behöver ytterligare information.

- Använd aldrig en produkt med defekta säkerhetskomponenter. Produktens säkerhetsutrustning ska kontrolleras och underhållas som beskrivs i detta avsnitt. Om din produkt inte klarar alla kontroller ska serviceverkstad uppsökas för reparation.
- All service och reparation av produkten kräver specialutbildning. Detta gäller särskilt produktens säkerhetsutrustning. Om produkten inte klarar någon av nedan listade kontroller ska du uppsöka en serviceverkstad. Ett köp av någon av våra produkter garanterar att du kan få en fackmannamässig reparation och service utförd. Om återförsäljaren som säljer produkten inte är en serviceverkstad kan du fråga dem om närmaste serviceverkstad.

Kontrollera knappatsen

1. Tryck in och håll start-/stopppknappen (A) intryckt.



- a) Produkten är påslagen när lysdioden (B) tänds.
 - b) Produkten är avstängd när lysdioden (B) är släckt.
2. Se *Användargränssnitt på sida 218* om varningsindikatorn (C) lyser eller blinkar.
 3. Tryck på och släpp drivhjulet (D) för att se till att det rör sig fritt.

Batterisäkerhet



WARNING: Läs varningsinstruktionerna nedan innan du använder produkten.

- Använd endast de batterier för 40-B-serien som vi rekommenderar för din produkt. Se *Godkända batterier på sida 220*. Batterierna har krypterad programvara.
- Använd de laddningsbara 40-B-batterierna som strömkälla endast för relaterade Husqvarna-produkter. På grund av risken för skador ska du inte använda batterier som strömkälla för andra enheter.
- Risk för elektrisk stöt. Anslut inte batteripolerna till nycklar, skruvar eller andra metallföremål. Det kan orsaka kortslutning i batteriet.
- Använd inte batterier som inte är laddningsbara.

- Placera inte föremål i luftspringorna på batteriet.
- Håll batteriet borta från direkt solljus, värme och öppen eld. Batteriet kan orsaka brännskador och/eller kemiska brännskador.
- Håll batteriet borta från regn och fuktiga förhållanden.
- Håll batteriet borta från mikrovågor och högt tryck.
- Försök inte ta isär eller krossa batteriet.
- Använd batteriet vid temperaturer mellan -10 °C (14 °F) och 40 °C (104 °F).
- Rengör inte batteriet eller batteriladdaren med vatten. Se *Rengöra produkten, batteriet och batteriladdaren på sida 218*.
- Använd inte ett defekt eller skadat batteri.
- Håll batterier som förvaras borta från metallföremål, exempelvis spikar, skruvar och smycken.
- Håll batteriet utom räckhåll för barn.
- Använd endast batteriladdaren i temperaturer mellan 5 °C (41 °F) och 40 °C (104 °F). Använd laddaren i en miljö med bra luftflöde, som är torr och fri från damm.
- Placera inte föremål i kylningsöppningar på batteriladdaren.
- Anslut inte batteriladdarens kontakter till metallföremål eftersom batteriladdaren kan kortslutas.
- Använd godkända eluttag som inte är skadade. Se till att batteriladdarens sladd inte är skadad. Om förlängningsladd används, se till att den inte är skadad.

Säkerhetsinstruktioner för underhåll



VARNING: Läs varningsinstruktionerna nedan innan du utför underhåll på produkten.

Säkerhet, batteriladdare



VARNING: Läs varningsinstruktionerna nedan innan du använder produkten.

- Risk för elektriska stötar eller kortslutning om säkerhetsinstruktionerna inte följs.
- Använd inte andra batteriladdare än den som medföljde produkten. Använd endast 40-C80-laddare när du laddar Husqvarna 40-B140-utbytesbatterier. Se *Godkända batteriladdare på sida 221* och *Godkända batterier på sida 221*.
- Försök inte plocka isär batteriladdaren.
- Använd aldrig defekta eller skadade batteriladdare.
- Lyft inte batteriladdaren i nätsladden. Koppla bort batteriladdaren från eluttaget genom att dra i kontakten. Dra inte i nätsladden.
- Ha inga sladdar och skarvsladdar nära vatten, olja och skarpa kanter. Var uppmärksam så att inte sladden kläms i dörrar, stängsel eller liknande.
- Använd inte batteriladdaren nära brandfarliga material eller material som kan orsaka korrosion. Se till att batteriladdaren inte är övertäckt. Dra ut stickkontakten till batteriladdaren vid rökutveckling eller brand.
- Ladda endast batteriet inomhus där den inte utsätts för solljus och på en plats med bra luftflöde. Ladda inte batteriet utomhus. Ladda inte batteriet vid fuktiga förhållanden.
- När maskinen har stoppats inför service, undersökning eller förvaring, eller för att byta tillbehör, ska du låta maskinen svalna innan du utför undersökningar, justeringar, osv. Underhåll maskinen ordentligt och håll den ren.
- Ta ur batteriet innan du utför underhåll, övriga kontroller eller monterar produkten.
- Användaren får endast utföra underhålls- och servicearbeten som beskrivs i denna bruksanvisning. Kontakta en serviceverkstad för underhåll och service av större omfattning.
- Se till att alla muttrar, bultar och skruvar är åtdragna för att vara säkra på att produkten är i säkert och funktionsdugligt skick.
- Byt ut utslitna eller skadade delar.
- Om du inte utför underhåll minskar produktens livscykel och risken för olyckor ökar.
- Särskild utbildning krävs för allt service- och reparationsarbete, särskilt för produktens säkerhetsanordningar. Om inte alla kontroller i den här bruksanvisningen är godkända efter underhåll ska du kontakta en serviceverkstad. Vi garanterar att det finns professionella reparationer och service tillgängliga för din produkt.
- Använd endast originaldelar.

Montering

Blåsarläge



VARNING:

Skärskador kan uppstå när rotorbladen roterar eller om produkten startar oavsiktligt.

Ta bort batteriet och vänta tills rotorbladen stannar innan du monterar produkten.

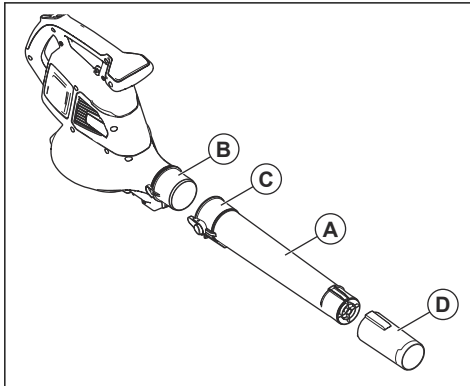


VARNING: Montera blåsarröret och intagsskyddet helt innan du använder produkten i blåsarläge.

Montera blåsarröret

Notera: Om blåsarröret inte är korrekt monterat förhindrar en säkerhetsbrytare att blåsaren startar.

1. Tryck fast blåsarröret (A) på blåsutloppet (B). Spärren (C) aktiveras när du hör ett klick.

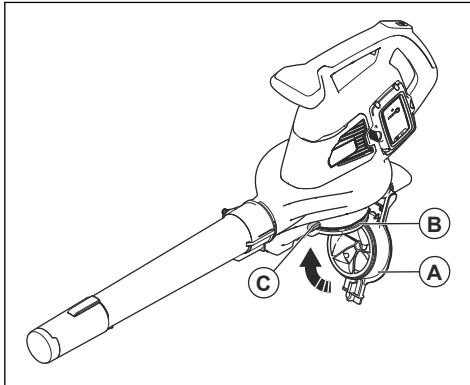


2. Installera blåsarmunstycket (D) på blåsarröret. Blåsarmunstycket låses på plats när du hör ett klick.

Montera intagsskyddet

Notera: Om intagsskyddet inte är korrekt monterat förhindrar en säkerhetsbrytare att blåsaren startar.

- Stäng intagsskyddet (A) på bläsinloppet (B). Spärren (C) aktiveras när du hör ett klick.



Sugläge



VARNING: Montera sugröret och uppsamlaren helt innan du använder produkten i sugläge.

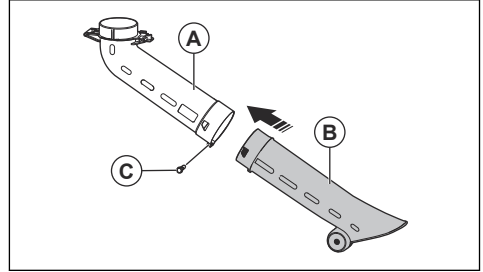
Montera sugröret



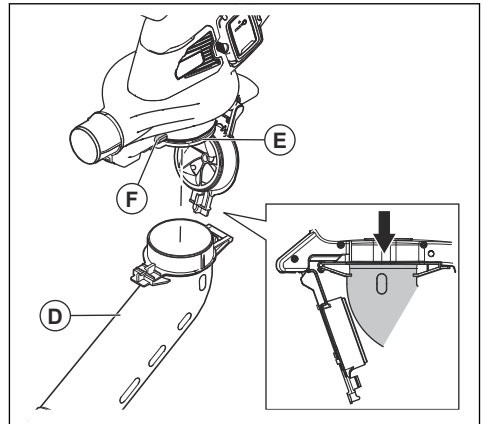
VARNING: Montera de övre och nedre sugrören innan du startar produkten.

Notera: Om sugröret inte är korrekt monterat förhindrar en säkerhetsbrytare att sugen startar.

1. Rikta in skårorna på det övre sugröret (A) mot flikarna på det nedre sugröret (B).



2. Tryck fast det nedre sugröret på det övre sugröret tills du hör ett klick.
3. Dra åt skruven (C).
4. Installera sugröret (D) på suginloppet (E). Spärren (F) aktiveras när du hör ett klick.



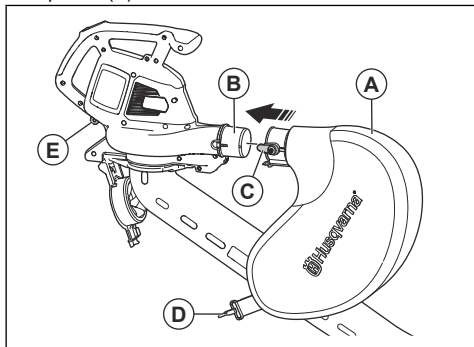
Montera uppsamlaren

Notera: Om uppsamlaren inte är korrekt monterad stoppar en säkerhetsbrytare startproceduren.

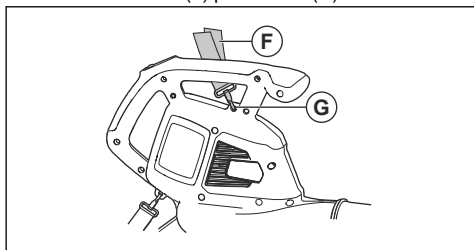


VARNING: Stoppa maskinen innan du sätter fast eller tar bort påsen.

1. Ta bort blåsarröret om det är installerat på produkten.
2. Tryck fast uppsamlaren (A) på sugutloppet (B). Spärren (C) aktiveras när du hör ett klick.



3. Fäst uppsamlarens rem (D) på hållaren (E).
4. Fäst axelremmen (F) på hållaren (G).



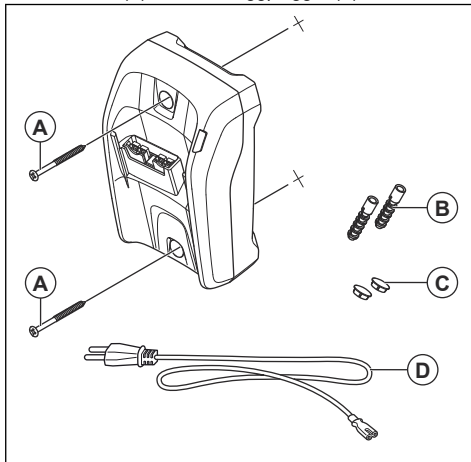
5. Se till att uppsamlaren är helt stängd.

Montera batteriladdaren på väggen



OBSERVERA: Använd inte en elektrisk skruvmejsel för att montera batteriladdaren på väggen. En elektrisk skruvmejsel kan skada batteriladdaren.

1. Installera batteriladdaren på väggen med de två skruvarna (A). Använd väggpluggar (B) vid behov.



2. Montera de två skruvhålspluggarna (C).
3. Anslut batteriladdarens nätsladd (D) till ett vägguttag.

Drift

Introduktion



WARNING: Läs och förstå säkerhetskapitlet innan du använder produkten.

Kontrollera funktionen innan du använder produkten

1. Kontrollera om luftintaget är smutsigt eller har sprickor. Använd en borste och borsta bort gräs och löv från produkten.
2. Kontrollera att produkten fungerar korrekt.
3. Kontrollera alla muttrar och skruvar och se till att de är täta.

Batteri



WARNING: Läs och förstå säkerhetskapitlet innan du använder batteriet. Läs noga igenom

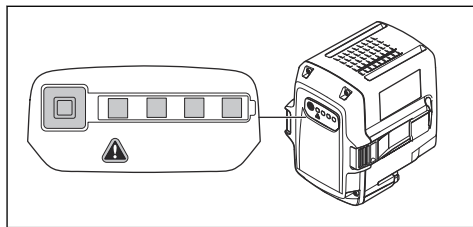
bruksanvisningen som medföljer batteriet och batteriladdaren.

Förvara batteriet och batteriladdaren i rätt omgivningstemperatur.

	Omgivningstemperatur
Användning av batteri	5 °C–40 °C
Laddning av batteri	5 °C–40 °C

Batteristatus

Displayen visar laddningsstatusen och om det föreligger problem med batteriet.



LED-kontrolllampa	Batteriets laddningsstatus
Fyra lysdioder lyser	Batteriet är 76 %–100 % laddat.
Tre lysdioder lyser	Batteriet är 51 %–75 % laddat.
Två lysdioder lyser	Batteriet är 26 %–50 % laddat.
En lysdiod lyser	Batteriet är 6 %–25 % laddat.
En lysdiod blinkar	Batteriet är 0 %–5 % laddat.

Ladda batteriet

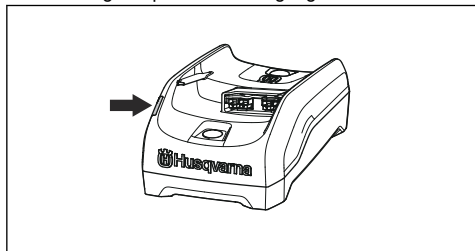
Ladda batteriet om det är första gången du använder det. Ett nytt batteri är endast 30 % laddat.



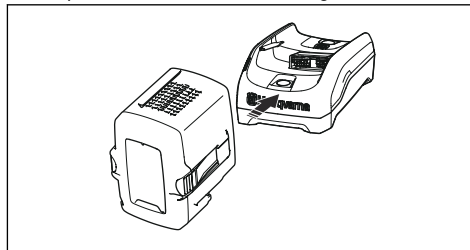
OBSERVERA: Anslut batteriladdaren till den spänning och frekvens som anges på typskylten.

Batteriet laddas inte om batteritemperaturen överstiger 50 °C.

1. Anslut strömkabeln till batteriladdaren.
2. Anslut batteriladdaren till ett jordat nätuttag. Laddningslampan blinkar en gång.



3. Anslut batteriet till batteriladdaren. Den gröna lampan tänds. Ladda batteriet i högst 24 timmar.



4. Tryck på batteriindikatorknappen. Om alla kontrollampor tänds är batteriet fulladdat.
5. Dra ut nätkontakten för att koppla bort batteriladdaren från nätuttaget. Dra inte i nätsladden.
6. Ta ut batteriet ur batteriladdaren.

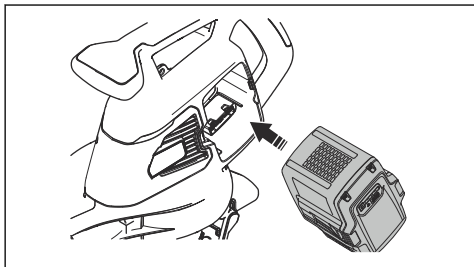
Ansluta batteriet till produkten



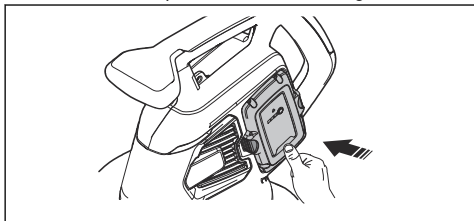
VARNING: Använd endast Husqvarna-originalbatterier i produkten.

1. Se till att batteriet är fulladdat.

- Skjut in batteriet i produktens batterihållare. Batteriet måste glida lätt. Om det inte gör det är det inte korrekt installerat.

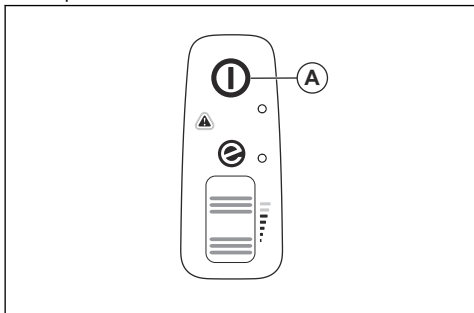


- Tryck på den nedre delen av batteriet och tryck in det så långt det går i batterifacket. Batteriet låses på plats när du hör ett klickljud.
- Kontrollera att spärrarna fäster ordentligt.

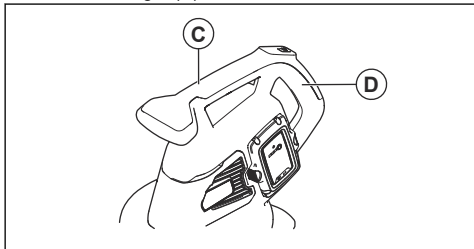


Starta produkten

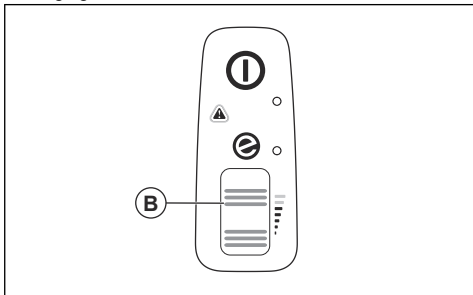
- Håll start-/stoppknappen (A) intryckt tills den gröna lampan tänds.



- Håll extrahandtaget (C) med ena handen och håll huvudhandtaget (D) med andra handen.

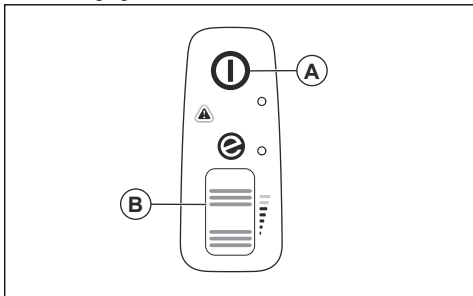


- Vrid drivhjulet (B) uppåt för att starta blåsarläget eller sugläget.



Stoppa produkten

- Vrid drivhjulet (B) nedåt för att stoppa blåsarläget eller sugläget.

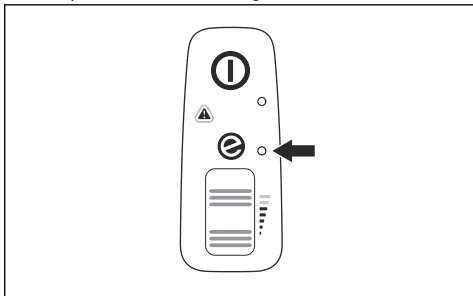


- Håll start-/stoppknappen (A) intryckt tills den gröna lampan släcks.

ECO-läge

ECO-läget ökar batteriets livslängd.

- Vrid drivhjulet nedåt för att starta ECO-läget. Lampan tänds när ECO-läget startas.



- Vrid drivhjulet uppåt för att starta normalläget. Lampan släcks när normalläget startas.

Så tömmer du uppsamlaren



VARNING:

Vassa föremål kan orsaka skador. Placera inte händerna i uppsamlaren när du tömmer den.

1. Stäng av produkten.
2. Ta bort uppsamlaren.
3. Vänd den inre sidan av uppsamlaren utåt och ta bort de uppsamlade föremålen.

4. Rengör uppsamlaren med en vattenslang.
5. Låt uppsamlaren torka.
6. Montera uppsamlaren.

Automatisk avstängningsfunktion

Produkten har en automatisk avstängningsfunktion som stoppar produkten om den inte används. Produkten stängs av efter en minut.

Underhåll

Introduktion



VARNING: Innan du utför något underhållsarbete måste du läsa och förstå kapitlet om säkerhet.

Underhållsschema



VARNING: Ta bort batteriet innan du utför underhåll.

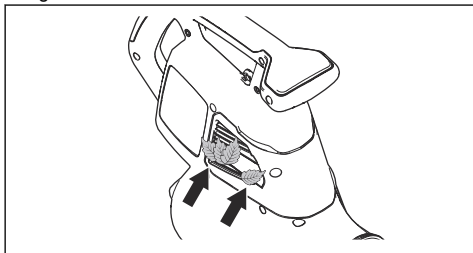
Nedan följer en lista över de underhållssteg som ska utföras på produkten.

Underhåll	Dagligen	Varje vecka	Varje månad
Rengör utsidan med en ren och torr trasa. Använd inte vatten.	X		
Håll handtagen torra, rena och fria från olja och fett.	X		
Se till att start-/stoppknappen fungerar som den ska och inte är skadad.	X		
Se till att drivhjulet fungerar som det ska för säker drift.	X		
Kontrollera att muttrarna och skruvarna är åtdragna.	X		
Undersök om det finns några skador på batteriet.	X		
	X		
Kontrollera att frigöringsknapparna på batteriet fungerar och att batteriet låses fast i produkten.	X		
Undersök om batteriladdaren har skador och se till att den fungerar som den ska.	X		
Undersök alla kopplingar, anslutningar och kablar med avseende på skador och se till att de inte är smutsiga.		X	
Undersök anslutningarna mellan batteriet och produkten och undersök även anslutningen mellan batteriet och batteriladdaren.			X
Rengör luftskårorna med en mjuk borste (använd inte en skruvmejsel).	X		
Ta bort och rengör blåsarröret eller sugröret.	X		
Töm och rengör uppsamlaren. Se <i>Så tömmer du uppsamlaren på sida 217</i> .	X		
Ta bort gräs, löv, smuts och oönskat material från intagsöppningen och intagskyddet.	X		

Underhåll	Dagligen	Varje vecka	Varje månad
Undersök fläkthjulet med avseende på föroreningar och rengör fläkthjulet om det behövs med ett slött, långt föremål.	X		

Kontrollera luftintaget

1. Kontrollera att luftintaget på produktens sidor inte är igensatt.



2. Stoppa produkten och ta bort löv och oönskat material vid behov.



OBSERVERA: Ett igensatt luftintag minskar produktens blåskapacitet och ökar motorns

arbetstemperatur. Det kan leda till motorfel eftersom motorn blir för varm.

Undersöka batteriet och batteriladdaren

1. Undersök om batteriet har skador, till exempel sprickor.
2. Undersök om batteriladdaren har skador, till exempel sprickor.
3. Kontrollera att anslutningsladdan till batteriladdaren är oskadad och att inga sprickor finns.

Rengöra produkten, batteriet och batteriladdaren

1. Rengör produkten med en torr trasa efter användning.
2. Rengör batteriet och batteriladdaren med en torr trasa. Håll batteriets styrspar rena.
3. Kontrollera att kontakterna på batteriet och batteriladdaren är rena innan batteriet sätts i batteriladdaren eller i produkten.

Felsökning

Användargränssnitt

Användargränssnitt	Eventuella fel	Möjlig lösning
Röd lysdiod för fel blinkar.	Temperaturavvikelse.	Låt produkten svalna.
	Rör eller fläktkåpa har tagits bort.	Montera röret eller fläktkåpan.
	Batterifel.	Byt ut eller ladda batteriet.
	Service krävs.	Vänd dig till en serviceverkstad.
Produkten startar inte.	Smuts i batteriets kontakter.	Rengör med tryckluft eller en mjuk borste.

Batteri

LED display	Eventuella fel	Möjlig lösning
Grön lysdiod blinkar.	Låg batterispänning.	Ladda batteriet.

LED display	Eventuella fel	Möjlig lösning
Varningslampan blinkar.	Temperaturavvikelse.	Använd batteriet vid temperaturer mellan -10 °C (14 °F) och 40 °C (104 °F).
	För hög spänning.	Se till att nätspänningen överensstämmer med produktens spänning. Se typskylten på produkten.
		Ta ut batteriet ur batteriladdaren.
Varningslampan tänds.	För stor batteriskillnad (1 V).	Vänd dig till en serviceverkstad.

Batteriladdare

Tillstånd	Eventuella fel	Möjliga åtgärder
Laddningslampan lyser rött.	Permanent batteriladdarfel.	Prata med en återförsäljare.
Laddningslampan blinkar grönt.	Temperaturavvikelse: batteriet är för kallt eller varmt för att användas eller laddas.	Låt batteriet svalna eller vänta tills det har blivit varmare. När batteriet har rätt temperatur kan du använda och ladda det. Använd batteriladdaren i omgivningstemperaturer mellan fem och 40 C.
Laddningslampan blinkar rött.	Batteriet är trasigt	Prata med en återförsäljare.

Transport, förvaring och kassering

Transport och förvaring

- Medföljande Li-Ion-batteriet uppfyller kraven i lagstiftningen för farligt gods.
- Följ de särskilda kraven för förpackning och etiketter för kommersiella transporter, inklusive av tredje parter och speditörer.
- Tala med en person med särskild utbildning i farliga material innan du skickar produkten. Följ alla tillämpliga nationella föreskrifter.
- Använd tejp på öppna kontakter när du lägger batteriet i en förpackning. Lägg batteriet trångt i förpackningen för att förhindra rörelse.
- Låt alltid maskinen svalna innan du ställer undan den.
- Ta ur batteriet vid förvaring eller transport.
- Placera batteriet och batteriladdaren i ett utrymme som är torrt och fritt från fukt och frost.
- Förvara inte batteriet på ställen där statisk elektricitet kan uppkomma. Förvara inte batteriet i en metallåda.
- Förvara batteriet på en plats där temperaturen är mellan 5 och 25°C, och inte i direkt solljus.
- Förvara batteriladdaren på en plats där temperaturen är mellan 5 och 45°C, och inte i direkt solljus.
- Använd endast batteriladdaren när omgivningstemperaturen är mellan 5 och 40°C.
- Ladda batteriet till 30–50 % innan du förvarar det under längre perioder.
- Förvara batteriladdaren på en plats som är stängd och torr.
- Håll batteriet borta från laddaren under förvaring. Låt inte barn och personer som inte är godkända röra utrustningen. Förvara utrustningen på en plats som du kan låsa.
- Rengör produkten och gör en fullständig service innan du ska förvara produkten under en längre tid.
- Använd transportskydd på produkten för att förhindra personsador eller skador på produkten under transport och förvaring.
- Sätt fast produkten under transport.

Avyttring av batteriet, laddaren och produkten

Symbolen nedan innebär att produkten inte är hushållsavfall. Återvinn den vid en återvinningsstation för elektrisk och elektronisk utrustning. Detta bidrar till att förhindra skador på miljön och personsador.

Tala med lokala myndigheter, hushållsavfallsservice eller en återförsäljare för mer information.



Notera: Symbolen visas på produkten eller produktens förpackning.

Tekniska data

Tekniska data

	120iBV
Motor	
Motortyp	BLDC (borstlös) 36 V
Vikt	
Vikt utan batteri, kg	4,6
Bulleremission ³⁴	
Ljudeffektnivå, uppmätt dB(A)	97
Ljudeffektnivå, garanterad L _{WA} dB(A)	100
Ljudnivåer ³⁵	
Ekvivalent ljudtrycksnivå vid användarens öra, uppmätt enligt EN ISO 11203 och ISO 22868, dB(A):	84
Vibrationsnivåer ³⁶	
Vibrationsnivåer i främre/bakre handtag, uppmätt enligt ISO 22867, m/s ²	1,4/1,7
Fläktprestanda	
Luftflöde i normalt läge med standardmunstycke, m ³ /min	6,7
Maximal lufthastighet i normalt läge med standardmunstycke, m/s / mph	50/111

Buller- och vibrationsdata fastställs baserat på det maximala varvtalet.

Godkända batterier

Använd endast Husqvarna 40-B-originalbatterier till produkten

³⁴ Bulleremission till omgivningen uppmätt som ljudeffekt (L_{WA}) enligt EG-direktiv 2000/14/EG. Rapporterad ljudeffektnivå för maskinen har uppmätts med den originalskärutrustning som ger den högsta nivån. Skillnaden mellan garanterad och uppmätt ljudeffekt är att den garanterade ljudeffekten också inkluderar spridning i mätresultatet och variationen mellan olika maskiner av samma modell enligt direktiv 2000/14/EG.

³⁵ Rapporterade data för ekvivalent ljudtrycksnivå för maskinen har en typisk statistisk spridning (standardavvikelse) på 3 dB(A).

³⁶ Rapporterade data för vibrationsnivå har en typisk statistisk spridning (standardavvikelse) på 1,0 m/s².

Godkända batterier

Batteri	40-B140
Typ	Litiumjonbatteri
Batterikapacitet, Ah	4
Nominell spänning, V	36
Vikt, kg	1,25

Godkända batteriladdare

Batteriladdare	40-C80
Nätspänning, V	100–240
Frekvens, Hz	50–60
Effekt, W	72
Utspänning, V d. c./ Ampere, A	43/1,6

Försäkran om överensstämmelse

EU-försäkran om överensstämmelse

Vi, **Husqvarna AB**, SE-561 82 Huskvarna, Sverige, tel:
+46-36-146500, försäkrar på eget ansvar att produkten:

Beskrivning	Handhållen trädgårdsblåsare/sug
Varumärke	Husqvarna
Typ/Modell	120iBV
Identifiering	Serienummer daterade 2022 och framåt

uppfyller alla krav i följande EU-direktiv och förordningar:

Lagstiftning	Beskrivning
2006/42/EG	"om maskiner"
2014/30/EU	"angående elektromagnetisk kompatibilitet"
2011/65/EU	"angående begränsning av användning av vissa farliga ämnen i elektrisk och elektronisk utrustning"
2000/14/EC	"angående emission av buller till omgivningen"

och att följande standarder och/eller tekniska specifikationer tillämpas: EN 60335-1:2012+A11+A13+A1+A14+A2+A15, EN 50636-2-100:2014, EN IEC 63000:2018, EN ISO 12100:2010, EN IEC 55014-1:2021; EN IEC 55014-2:2021

I enlighet med direktiv 2000/14/EG, bilaga V, se *Tekniska data på sida 220* för angivna ljudvärden.

Huskvarna, 2023-01-16



Claes Losdal, R&D Manager, Husqvarna AB

Ansvarig för teknisk dokumentation

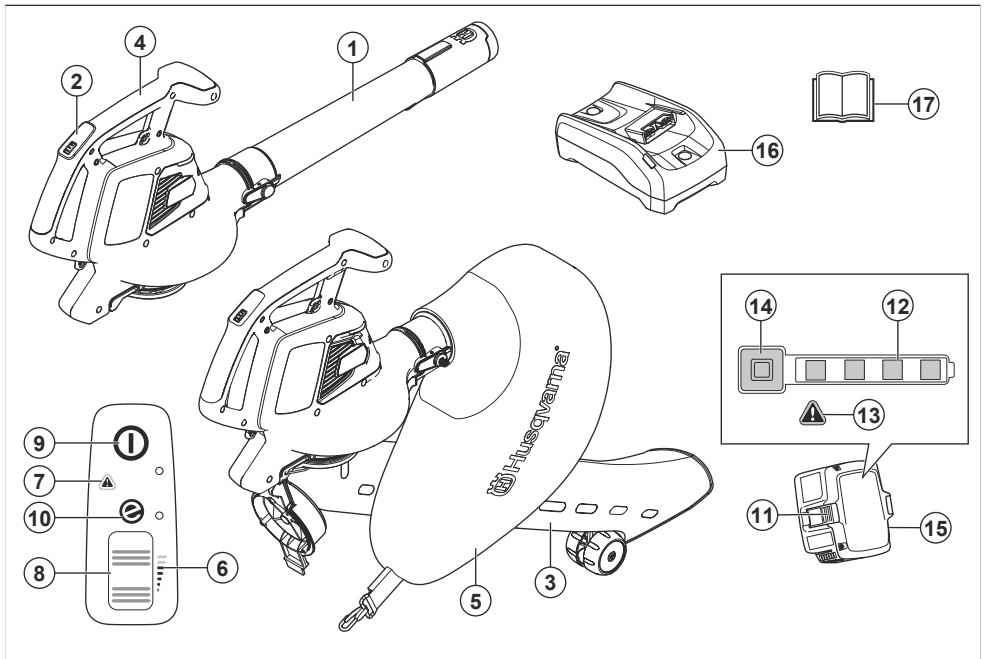


Indhold

Indledning.....	223	Fejlfinding.....	235
Sikkerhed.....	225	Transport, opbevaring og bortskaffelse.....	236
Montering.....	230	Tekniske data.....	237
Drift.....	231	Overensstemmelseserklæring.....	239
Vedligeholdelse.....	234		

Indledning

Produktoversigt



1. Blæserør
2. Tastatur
3. Sugerør
4. Håndtag
5. Opsamlerpose
6. Luftstrømsindikator
7. Advarselsindikator (fej-LED)
8. Effekthjul
9. Start/stop-knap
10. Indikator for SavE
11. Knap til udløsning af batteri
12. Batteristatus
13. Advarselsindikator (fej-LED)

14. Strøm og advarselsindikator
15. Batteri medfølger kun i løvblæsesættetHusqvarna120iBV
16. Batterioplader medfølger kun i løvblæsesættetHusqvarna120iBV
17. Brugervejledning

Produktbeskrivelse

Husqvarna 120iBV Er en løvblæser-/sugermodel med en elektrisk motor.

Vi forsøger hele tiden at videreudvikle vores produkter og forbeholder os derfor ret til ændringer af bl.a. form og udseende af produkterne uden forudgående varsel.

Anvendelsesformål

Blæsefunktion: Blæseren er designet til at blæse smudspartikler eller græsaffklip væk fra stier, indkørsler, gårdspladser og lignende. Den er også designet til at blæse afklippet græs, halm eller blade for at lave bunker eller til at fjerne smudspartikler fra hjørner, samlinger eller mellemrum mellem fliser eller mursten.

Sugefunktion: Sugefunktionen er designet til opugning af tørt materiale. Det omfatter blade, græs, små kviste og papirstykker.

Symboler på produktet



ADVARSEL: Dette produkt kan være farligt og forårsage alvorlig personskade eller død for brugeren eller andre. Vær forsigtig, og brug produktet korrekt.



Læs brugervejledningen, og sørg for at have forstået indholdet, inden du bruger dette produkt.



Brug godkendt øjenværn.



Nominal spænding, V



Jævnstrøm.



Mærkat vedrørende emission af støj til omgivelserne i henhold til direktiver og regulativer i EU og Storbritannien og New South Wales' lovgivning om "Beskyttelse af miljøet (støjbegrensning) forordning 2017". Produktets garanterede lydeffektniveau er angivet i *Tekniske data på side 237* og på mærkaten.



Frakobl batteriet før vedligeholdelse.



Produktet og produktemballagen er ikke almindeligt husholdningsaffald. Aflever det på en genbrugsstation til elektrisk og elektronisk udstyr.



Produktet er i overensstemmelse med gældende EF-direktiver.



Dette produkt er i overensstemmelse med gældende UK-bestemmelser.



Må ikke udsættes for regn.



Vent, indtil rotorbladene stopper, når du har slukket for produktet.



Brug kun produktets sugefunktion, når røret er helt samlet.



Føreren af løvblæseren skal sørge for, at ingen mennesker eller dyr kommer nærmere end 15 meter. Når flere førere arbejder på det samme sted, skal sikkerhedsafstanden være mindst 15 meter. Løvblæseren kan kaste genstande af sted med voldsom kraft, og disse genstande kan slå tilbage. Dette kan medføre alvorlige øjenskader, hvis du ikke anvender det anbefalede beskyttelsesudstyr.



yyyy wwxxxx

Typeskiltet viser serienummeret. **yyyy** er produktionsåret, **ww** er produktionsugen.

Bemærk: Andre symboler/etiketter på skæreudstyret refererer til specifikke krav for certificering på visse markeder.

Symboler på batteriet og/eller på batteriopladeren



Aflever produktet på en genbrugsstation for elektrisk og elektronisk udstyr. (Gælder kun Europa)



Fejlsikker transformere.



Brug og opbevar kun batteriopladeren indendørs.



Dobbelt isolering.

Producent

Husqvarna AB

Drottninggatan 2, SE-561 82 Huskvarna

Skader på produktet

Vi er ikke ansvarlige for skader på vores produkt, hvis:

- produktet er forkert repareret.
- produktet er repareret med dele, der ikke er fra producenten eller ikke er godkendt af producenten
- produktet har tilbehør, der ikke er fra producenten eller ikke er godkendt af producenten.
- produktet ikke er repareret på et godkendt servicecenter eller af en godkendt myndighed.

Sikkerhed

Sikkerhedsdefinitioner

Advarsler, forholdsregler og bemærkninger bruges til at pege på særligt vigtige dele af brugsanvisningen.



ADVARSEL: Bruges, hvis føreren udsætter sig selv eller omkringstående personer for risiko for personskade eller dødsfald ved tilsidesættelse af instruktionerne i brugsanvisningen.



BEMÆRK: Bruges, hvis der er risiko for skader på produktet og/eller tilbehøret, andre materialer eller det omgivende område ved tilsidesættelse af instruktionerne i brugsanvisningen.

Bemærk: Bruges til at give yderligere oplysninger, der er nødvendige i en given situation.

Generelle sikkerhedsinstruktioner



ADVARSEL: Læs følgende advarselsinstruktioner, inden du bruger produktet.

- Læs instruktionerne omhyggeligt for at lære betjeningsanordningerne og den korrekte betjening af maskinen at kende. Et produkt kan ved forkert eller skødesløs brug være et farligt redskab, som kan forårsage alvorlige eller i visse tilfælde livsfarlige skader for brugeren eller andre.
- Produktets oprindelige udformning må under ingen omstændigheder ændres uden producentens samtykke. Brug aldrig et produkt, der er blevet ændret, så det ikke længere svarer til originalmodellen, og brug altid originalt tilbehør. Ikke-autoriserede ændringer og/eller ikke-godkendt tilbehør kan medføre alvorlige skader eller døden for brugeren eller andre. Din garanti dækker ikke skader eller ansvar som følge af anvendelse af ikke-godkendt tilbehør eller reservedele.

- Dette produkt danner et elektromagnetisk felt under betjening. Dette felt kan i visse tilfælde påvirke aktive eller passive medicinske implantater. For at reducere risikoen for alvorlige eller dødbringende kvæstelser anbefaler vi, at personer med medicinske implantater kontakter deres læge og producenten af det medicinske implantat, før de tager produktet i brug.
- Fjern batteriet fra produktet inden opladning.

Generelle sikkerhedsadvarsler om elektrisk værktøj

Kontrol før start

- Kontrollér arbejdsområdet. Fjern alle løse genstande, som f.eks. sten, knust glas, søm, ståltråd, snor og lignende, som kan slynges ud.
- Batteriet skal altid udtages for at forhindre, at maskinen starter utilsigtet. Batteriet skal altid frakobles, før maskinen vedligeholdes.
- Før brug af maskinen og efter stød eller tab, skal maskinen kontrolleres for slitage og skades og repareres efter behov.
- Brug altid kun originale reservedele.
- Brugeren af maskinen skal sørge for, at ingen mennesker eller dyr kommer nærmere end 15 meter under arbejdet. Hvis flere brugere arbejder i det samme område, skal sikkerhedsafstanden være mindst 15 meter.
- Gennemfør en generel inspektion af maskinen før brugen; se i vedligeholdelsesplanen.
- Nationale eller lokale bestemmelser kan regulere brugen. Overhold de gældende bestemmelser.

Personlig sikkerhed

- **Vær altid opmærksom, hold øje med, hvad du foretager dig, og benyt sund fornuft, når du betjener elværktøj. Benyt ikke elværktøj, hvis du er træt eller er påvirket af narkotika, alkohol eller medicin.** Et øjeblikks uopmærksomhed under betjening af elværktøj kan resultere i alvorlig personskade.
- Hold andre personer på afstand.

- Denne enhed er ikke til brug for personer (herunder børn) med nedsatte fysiske, følelsesmæssige eller mentale evner eller mangel på erfaring og viden, medmindre de er under opsyn eller modtaget træning i brugen af enheden af en person, der er ansvarlig for deres sikkerhed. Børn skal være under opsyn for at sikre, at de ikke leger med enheden.
- Lad aldrig børn eller personer, der ikke kender apparatet, bruge det. Der kan være lokale regler for, hvor gammel brugeren skal være.
- Hold uvedkommende på afstand. Børn, dyr, omkringstående og hjælpere skal holdes uden for sikkerhedszonen på 15 meter. Stands øjeblikkeligt maskinen, hvis nogen nærmer sig.
- Opbevar udstyret et sted, der kan aflåses, så det er utilgængeligt for børn og uvedkommende.
- Brug ikke maskinen på et flisebelagt underlag eller grusunderlag, hvor udstødt materiale kan forårsage personskade.
- Under betjening af maskinen skal der altid bruges passende fodtøj og lange bukser. Betjen ikke maskinen med bare fødder eller iført åbne sandaler. Undgå at bære tøj, der er løstsiddende eller har løsthængende snore eller bånd.
- Bær ikke løst tøj eller smykker, der kan blive suget ind i luftindtaget. Hold langt hår væk fra luftindtaget.
- Brug aldrig maskinen, hvis du er træt, hvis du har drukket alkohol, eller hvis du tager medicin, som kan påvirke dit syn, dit overblik eller din kropskontrol.
- Brug personligt beskyttelsesudstyr. Se anvisningerne under afsnittet "Personligt beskyttelsesudstyr".
- Udtag altid batteriet, når maskinen overdrages til en anden person.
- Vær opmærksom på, at du som bruger af udstyret er ansvarlig for, at andre personer og deres ejendom ikke udsættes for uheld eller faremomenter.
- Brug aldrig maskinen i dårligt vejr, f.eks. tåge, regn eller fugtigt vejr, eller på steder, hvor der er vådt, i hård blæst eller kraftig kulde, ved risiko for lynnedslag osv. Ekstrem varme kan medføre, at maskinen overopheder. Betjening af udstyret i dårligt vejr er trættende og kan skabe farlige situationer, f.eks. glatte underlag.
- Hvis maskinen begynder at vibrere unormalt, skal du standse maskinen og fjerne batteriet.
- Gå. Løb aldrig.

Sikkerhedsinstruktioner for betjening



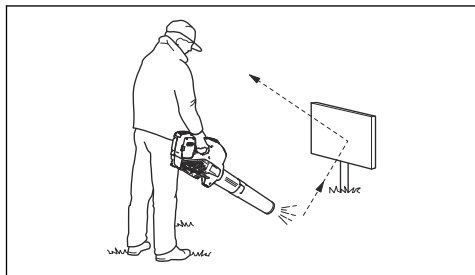
ADVARSEL: Læs følgende advarselsinstruktioner, inden du bruger produktet.

- Når du kommer ud for en situation, som gør dig usikker med hensyn til fortsat brug, skal du spørge en ekspert til råds. Henvend dig til din forhandler eller dit serviceværksted. Undgå al brug, som du ikke synes, du er tilstrækkeligt kvalificeret til.
- Sørg for, at du kan bevæge dig og stå sikkert. Kig efter eventuelle forhindringer ved en uventet retrætte (rødder, sten, grene, huller, grøfter osv.). Vær meget forsigtig ved arbejde i skrånede terræner.
- Sørg altid for at have god balance og sikkert fodfæste. Stræk dig ikke for langt.
- Vær altid opmærksom på advarselssignaler eller tilråb, når høreværnet bruges. Tag altid høreværnet af, så snart produktet er standset.
- Betjen ikke produktet nær åbentstående vinduer.
- Vis hensyn overfor personer i dine omgivelser ved at undgå at anvende produktet på upassende tidspunkter, for eksempel sent om aftenen eller tidligt om morgenen. Følg lokale love og forordninger.
- Anvend produktet med lavest mulige luftstrøm. Det er sjældent nødvendigt at anvende fuld luftstrøm. Mange arbejdsprocedurer kan udføres med halv luftstrøm. Mindre luftstrøm indebærer mindre støj og mindre støv. Det er også lettere at få kontrol over det affald, som skal samles sammen/flyttes.
- Under støvede forhold skal du fugte overfladen let ved brug af produktet.
- Anvend en rive eller en kost for at løsne fastsiddende affald fra jorden.
- Hold blæserørets munding så tæt til jorden som muligt.
- Vær bevidst om dine omgivelser. Ret produktet bort fra mennesker, dyr, legepladser og biler osv.
- Minimer den nødvendige arbejdstid ved at fugte meget støvede områder en smule eller benytte sprøjteudstyr.
- Vær bevidst om vindretningen. Arbejd i vindens retning for at gøre arbejdet lettere.
- Stop produktet og fjern batteriet, hvis redskabet begynder at vibrere på en unormal måde.
- At anvende løvblæseren for at flytte store stakke er tidskrævende og skaber unødvendig støj.

Brug og pleje af elværktøj

- Brug aldrig en maskine, der er blevet ændret, så den ikke længere svarer til originalmodellen. Brug aldrig maskinen i nærheden af eksplosive eller brændbare materialer.
- Brug aldrig en maskine, som er behæftet med fejl. Følg instruktionerne for sikkerhedskontrol, vedligeholdelse og service i denne brugsanvisning. Visse vedligeholdelses- og serviceforanstaltninger må kun udføres af erfarne og kvalificerede specialister. Se anvisningerne under afsnittet Vedligeholdelse.
- Brug altid kun originale reservedele.
- Sørg altid for, at ventilationsåbninger holdes fri for snavs.
- Alle afskærmninger, skærme og greb skal monteres, før du starter maskinen.
- Du må kun bruge maskinen i dagslys eller under gode lysforhold.

- Ryd op efter dig. Sørg for ikke at blæse affald ind på en eller andens grund.
- Løb ikke med produktet.
- Den kraftige luftstrøm kan flytte ting med en sådan hastighed, at de kan rikoettere tilbage og medføre alvorlige øjenskader.



- Luftstrømmen må ikke rettes mod mennesker eller dyr.
- Stands motoren, før du samler eller skiller tilbehør eller andre dele ad.
- Hold alle dele af kroppen på sikker afstand af varme overflader.
- Stil aldrig produktet ned på jorden med motoren i drift, uden at du har det under opsyn.
- Stop maskinen, og fjern batteriet. Sørg for, at alle bevægelige dele står helt stille:
 - når du forlader maskinen
 - før du fjerner hindringer eller renser udkastningsrøret
 - før kontrol, rengøring eller reparation af maskinen
- Sluk straks for strømkilden, og lad maskinen standse, hvis klippemekanismen rammer fremmedlegemer, eller hvis maskinen begynder at lave usædvanlig støj eller vibrationer. Tag batteriet ud af maskinen, og gør følgende, før maskinen genstartes og betjenes:
 - undersøg for skader
 - reparer eller udskift defekte dele
 - kontrollér og efterspænd eventuelle løse dele
- Sluk for strømmen, og tag batteriet ud af maskinen, før du renser for uønsket materiale, hvis maskinen bliver tilstoppet.
- Transporter ikke maskinen, mens strømkilden er tændt.
- Vip ikke maskinen, mens strømkilden er tændt.
- Løvlæseren må ikke anvendes på stiger eller stilladser.



- Brug aldrig produktet uden mulighed for at kunne tilkalde hjælp i tilfælde af en ulykke.
- Pas på udslyngede genstande. Sten, skidt m.m. kan blive slyngtet op i øjnene og forårsage blindhed eller alvorlige skader.
- Anvend en fejlstømsafbryder for øget sikkerhed, når du begynder at oplade produktet. Der er monteret en reststrømsenhed for at beskytte brugerne i tilfælde af elfejl.
- Dette produkt er kendt for sit lave vibrationsniveau. Overeksponering af vibrationer kan medføre kredsløbsforstyrrelser eller skader på nervesystemet hos personer med kredsløbsforstyrrelser. Hvis du oplever fysiske symptomer, som kan relateres til overeksponering af vibrationer, skal du straks søge læge. Eksempler på sådanne symptomer er følelsesløshed, manglende følesans, kildren, stikken, smerte, manglende eller reduceret styrke i forhold til normalt, forandringer i hudens farve eller i dens overflade. Disse symptomer opleves almindeligvis i fingre, hænder eller hånder.
- Brug kun produktet til det formål, det er beregnet til.
- Det er ikke muligt at tage højde for alle de situationer, du kan tænkes at komme ud for. Udvis derfor altid forsigtighed, og brug din sunde fornuft. Undgå situationer, som du ikke synes, du er tilstrækkeligt kvalificeret til. Hvis du stadig føler dig usikker med hensyn til fremgangsmåden, efter at du har læst disse anvisninger, skal du kontakte en ekspert, før du fortsætter.

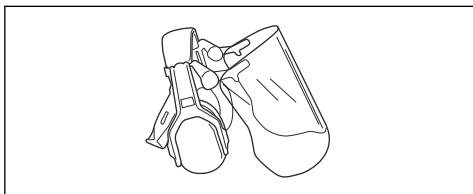
Personligt beskyttelsesudstyr



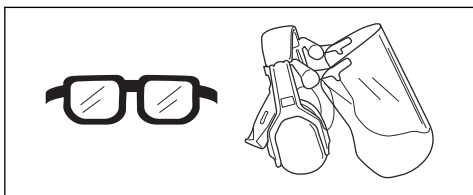
ADVARSEL: Læs følgende advarelsinstruktioner, inden du bruger produktet.

- Brug godkendt personligt beskyttelsesudstyr, når du bruger produktet. Personligt beskyttelsesudstyr udelukker ikke fuldstændigt risikoen for personskader, men det mindsker graden af skaderne i tilfælde af, at der skulle ske en ulykke. Lad forhandleren hjælpe dig med at vælge det rigtige udstyr.
- Langvarig eksponering for støj kan medføre høreskader. Batteridrevne produkter er generelt relativt støjsvage, men der kan opstå skader som følge af en kombination af støjniveau og

lang tids anvendelse. anbefaler, at operatører anvender høreværn ved brug af produkter i længere, sammenhængende tid om dagen. Brugere, der anvender produkterne kontinuerligt og jævnligt, bør regelmæssigt få hørelsen kontrolleret. Bemærk, at høreværn nedsætter evnen til at høre lyde og advarselssignaler.



- Brug godkendt øjenværn. Hvis du bruger et ansigtsværn, skal du også bruge godkendte beskyttelsesbriller. Godkendte beskyttelsesbriller skal være i overensstemmelse med den amerikanske standard ANSI Z87.1 eller EU-standardEN 166.



- Brug beklædning, der er lavet af et stærkt materiale. Brug altid kraftige lange bukser og lange ærmer. Brug ikke løstsiddende tøj, som kan sætte sig fast i buske og grene. Undgå smykker, shorts og sandaler, og gå ikke barfodet. Sæt håret op i en sikker højde, dvs. over skulderen.
- Sørg for at have førstehjælpsudstyr ved hånden.



- Åndedrætsværn skal anvendes, hvor der findes risiko for støv.

Sikkerhedsanordninger på produktet



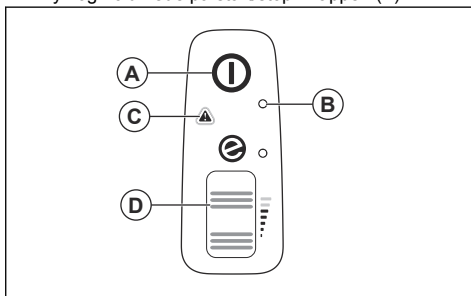
ADVARSEL: Læs følgende advarselinstruktioner, inden du bruger produktet.

- I dette afsnit forklares mere om produktets sikkerhedsfunktioner og deres formål, samt hvordan kontrol og vedligeholdelse skal udføres for at sikre, at de fungerer. Se anvisningerne under afsnittet *Produktoversigt på side 223* for at finde ud af, hvor disse dele er placeret på dit produkt.

- Produktets levetid kan forkortes og risikoen for ulykker kan øges, hvis vedligeholdelsen ikke udføres korrekt, og hvis service og/eller reparation ikke udføres fagligt korrekt. Kontakt det nærmeste serviceværksted for at få yderligere oplysninger.
- Brug aldrig et produkt med defekt sikkerhedsudstyr. Produktets sikkerhedsudstyr skal kontrolleres og vedligeholdes som beskrevet i dette afsnit. Klarer produktet ikke alle kontrollerne, skal du kontakte et serviceværksted for at få den repareret.
- Al service og reparation af produktet kræver specialuddannelse. Dette gælder især produktets sikkerhedsudstyr. Hvis produktet ikke klarer nogen af de nedennævnte kontroller, skal du kontakte dit serviceværksted. Ved at købe nogle af vores produkter kan du være sikker på at få en faglig korrekt reparation og service. Hvis produktet er købt et sted, som ikke er en af vores serviceydende forhandlere, skal du spørge dem efter det nærmeste serviceværksted.

Sådan kontrolleres tastaturet

1. Tryk og hold nede på start/stop-knappen (A).



- a) Produktet er tændt, når lysdioden (B) bliver tændt.
 - b) Produktet er slukket, når lysdioden (B) er slukket.
2. Se *Brugergrænseflade på side 235* hvis advarselindikatoren (C) tændes eller blinker.
 3. Tryk på og slip effekthjulet (D) for at sikre, at det bevæger sig frit.

Batterisikkerhed



ADVARSEL: Læs følgende advarselinstruktioner, inden du bruger produktet.

- Brug kun de batterier i 40-B serien, vi anbefaler til dit produkt. Se *Godkendte batterier på side 237*. Batterierne er softwarekrypteret.
- Brug kun de genopladelige 40-B-batterier som strømforsyning til de tilhørende Husqvarna-produkter. For at undgå personskaade må batteriet ikke anvendes som strømforsyning til andre produkter.

- Risiko for elektrisk stød. Tilslut ikke batteripolerne til nøgler, skruer eller andre metalgenstande. Dette kan medføre en kortslutning af batteriet.
- Brug ikke batterier, der ikke er genopladelige.
- Sæt ikke genstande ind i batteriets luftspalte.
- Hold batteriet væk fra sollys, varme og åben ild. Batteriet kan medføre forbrændinger og/eller kemiske forbrændinger.
- Hold batteriet væk fra regn og våde omgivelser.
- Hold batteriet væk fra mikrobølger og højt tryk.
- Forsøg ikke at skille batteriet ad eller ødelægge det.
- Brug batteriet i temperaturer mellem -10 °C (14 °F) og 40 °C (104 °F).
- Batteriet eller batteriopladeren må aldrig rengøres med vand. Se *Sådan rengøres produktet, batteriet og batteriopladeren på side 235*.
- Brug ikke et defekt eller beskadiget batteri.
- Opbevar batterierne væk fra metalgenstande som f.eks. søm, skruer og smykker.
- Opbevar batteriet utilgængeligt for børn.
- Brug kun batteriopladeren ved temperaturer mellem 5 °C (41 °F) og 40 °C (104 °F). Brug batteriopladeren på et sted med god ventilation, hvor den ikke udsættes for fugt eller støv.
- Sæt ikke genstande ind i batteriopladerens luftspalter.
- Forbind aldrig batteriopladerens poler med metalgenstande, da dette kan kortslutte batteriopladeren.
- Brug godkendte stikkontakter, som ikke er beskadiget. Sørg for, at batteriopladerens ledning ikke er beskadiget. Hvis der bruges forlængerledninger, skal det sikres, at forlængerledningerne ikke er beskadiget.

Sikkerhedsinstruktioner for vedligeholdelse



ADVARSEL: Læs følgende advarselinstruktioner, inden du udfører vedligeholdelse på produktet.

Batteriopladersikkerhed



ADVARSEL: Læs følgende advarselinstruktioner, inden du bruger produktet.

- Risiko for elektrisk stød eller kortslutning, hvis sikkerhedsinstruktionerne ikke overholdes.
- Brug ikke andre batteriopladere end den, der blev leveret med dit produkt. Brug kun 40-C80-opladere når du oplader 40-B140-reservebatterier Husqvarna. Se *Godkendte batteriopladere på side 238* og *Godkendte batterier på side 238*.
- Forsøg aldrig at adskille batteriopladeren.
- Brug ikke en defekt eller beskadiget batterioplader.
- Løft aldrig batteriopladeren ved hjælp af ledningen. Træk stikket ud for at afbryde batteriopladeren fra stikkontakten. Træk ikke i strømkablet.
- Hold alle kabler og forlængerledninger væk fra vand, olie og skarpe kanter. Sørg for, at ledningen ikke bliver klemt i eksempelvis døre, hegn eller lignende.
- Brug ikke batteriopladeren i nærheden af brandfarlige materialer eller materialer, der kan medføre korrosion. Sørg for, at batteriopladeren ikke er dækket. I tilfælde af røgafgivelse eller brand skal batteriopladeren afbrydes fra stikkontakten.
- Oplad kun batteriet indendørs på et sted med god ventilation og beskyttet mod direkte sollys. Batteriet må ikke oplades udendørs. Oplad ikke batteriet under våde forhold.
- Når maskinen er standset med henblik på service, undersøgelse eller opbevaring eller i forbindelse med udskiftning af tilbehør, skal du lade maskinen køle af, før du foretager undersøgelser, justeringer osv. Vedligehold maskinen med forsigtighed, og hold den ren.
- Fjern batteriet, inden du udfører vedligeholdelse, anden kontrol eller samler produktet.
- Brugeren må kun udføre den form for vedligeholdelses- og servicearbejde, der beskrives i denne brugervejledning. Tal med en servicetekniker i forbindelse med større vedligeholdelses- og serviceopgaver.
- For at sikre at produktet er i god arbejdstilstand, skal alle møtrikker, bolte og skruer altid være skruet godt fast.
- Udskift slidte eller beskadigede dele.
- Hvis du ikke udfører vedligeholdelse, reduceres levetiden for produktet og risikoen for ulykker øges.
- Der kræves særlig uddannelse til al service og reparation, især for sikkerhedsanordninger på produktet. Hvis ikke alle kontroller i denne brugsanvisning er godkendt efter udført vedligeholdelse, skal du tale med din servicetekniker. Vi garanterer, at der er professionelle reparationer og vedligeholdelse til rådighed for dit produkt.
- Brug altid kun originale reservedele.

Montering

Blæserfunktion



ADVARSEL:

Skæreskader, når rotorbladene roterer, eller produktet starter utilsigtet. Fjern batteriet, og vent, indtil rotorbladene stopper, før du samler produktet.

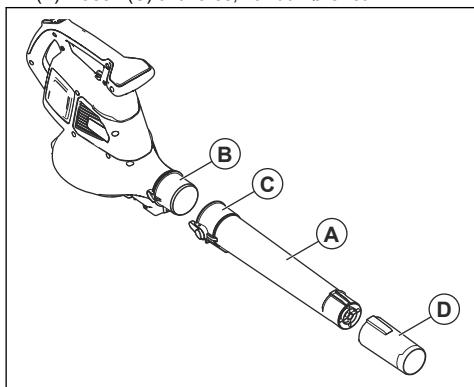


ADVARSEL: Saml blæserøret og indsugningsdækslet helt, før du bruger produkts blæsefunktion.

Sådan samles blæserøret

Bemærk: Når blæserøret ikke er samlet korrekt, forhindrer en sikkerhedskontakt blæseren i at starte.

1. Skub blæserøret (A) helt ned på blæseudgangen (B). Låsen (C) aktiveres, når du hører et klik.

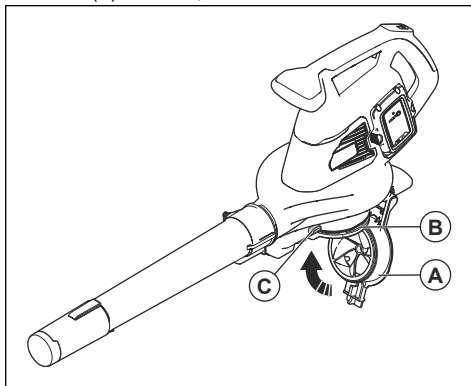


2. Monter blæsedysen (D) på blæserøret. Blæsedysen låses på plads, når du hører et klik.

Sådan samles indsugningsdækslet

Bemærk: Når indsugningsdækslet ikke er samlet korrekt, forhindrer en sikkerhedskontakt blæseren i at starte.

- Luk indsugningsdækslet (A) på blæserindtaget (B). Låsen (C) aktiveres, når du hører et klik.



Sugefunktion



ADVARSEL: Saml sugerøret og opsamlerposen helt, før du bruger produktets sugfunktion.

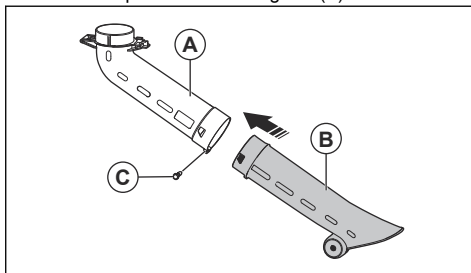
Sådan samles sugerøret



ADVARSEL: Saml de øverste og nederste sugerør, før du starter produktet.

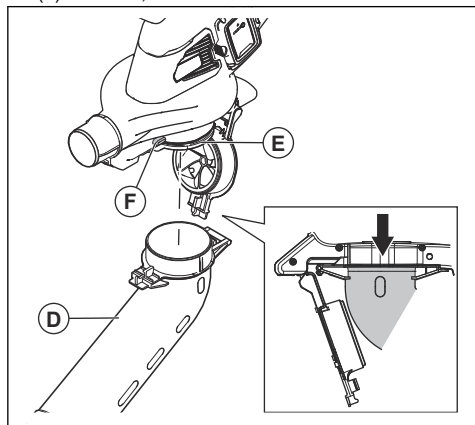
Bemærk: Når sugerøret ikke er samlet korrekt, forhindrer en sikkerhedskontakt sugefunktionen i at starte.

1. Juster hullerne i det nederste sugerør (A) med mærkerne på det øverste sugerør (B).



2. Skub det nederste sugerør op på det øverste sugerør, indtil du hører et klik.
3. Spænd skruen (C).

4. Monter sugeslangen (D) på sugeslindtaget (E). Låsen (F) aktiveres, når du hører et klik.



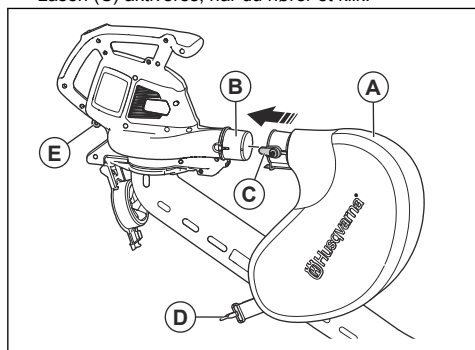
Sådan samles opsamlerposen

Bemærk: Hvis opsamlerposen ikke er samlet korrekt, vil en sikkerhedskontakt stoppe produktets startprocedure.

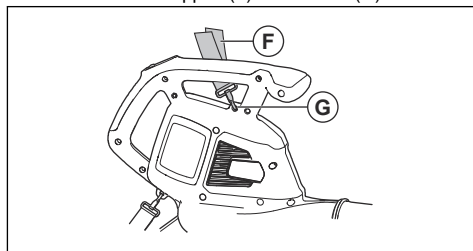


ADVARSEL: Sluk maskinen, før posen sættes på eller tages af.

1. Afmonter blæserøret, hvis det er monteret på produktet.
2. Skub opsamlerposen (A) ind på sugeslindtaget (B). Låsen (C) aktiveres, når du hører et klik.



3. Tilslut opsamlerposens strop (D) til holderen (E).
4. Tilslut skulderstroppen (F) til holderen (G).



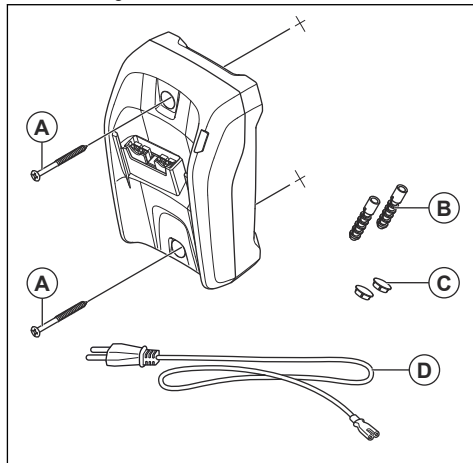
5. Sørg for, at opsamlerposen er helt lukket.

Sådan installeres batteriopladeren på væggen



BEMÆRK: Brug ikke en elektrisk skruetrækker til at montere batteriopladeren på væggen. En elektrisk skruetrækker kan beskadige batteriopladeren.

1. Installer batteriopladeren på væggen med de 2 skruer (A). Brug rawplugs (B), hvis det er nødvendigt.



2. Monter de 2 skruer (A).
3. Tilslut strømledningen (D) til batteriopladeren og en stikkontakt.

Drift

Indledning



ADVARSEL: Læs og forstå kapitlet om sikkerhed, før du bruger produktet.

Udfør en funktionskontrol, inden du bruger produktet

1. Kontroller luftindtaget for snavs og revnedannelse. Brug en børste og fjern græs og blade fra produktet.

- Sørg for, at produktet fungerer korrekt.
- Kontroller alle skruer og møtrikker og sørg for, at de sidder fast.

Batteri



ADVARSEL: Læs og forstå kapitlet om sikkerhed, før du bruger batteriet. Læs og forstå brugervejledningen for batteriet og batteriopladeren.

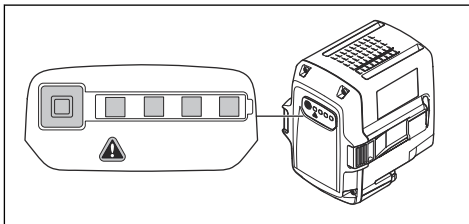
Opbevar batteriet og batteriopladeren ved de korrekte omgivende temperaturer.

	Omgivelsestemperatur
Betjening af batteriet	5 °C-40 °C / 41 °F-104 °F

	Omgivelsestemperatur
Opladning af batteriet	5 °C-40 °C / 41 °F-104 °F

Batteristatus

Displayet viser status for opladningstilstand, og om der er problemer med batteriet.



LED-indikator	Batteriopladningsstatus
4 LED-lamper er tændt	Batteriet er opladet 76-100%.
3 LED-lamper er tændt	Batteriet er opladet 51-75%.
2 LED-lamper er tændt	Batteriet er opladet 26-50%.
1 LED-lampe er tændt	Batteriet er opladet 6-25%.
1 LED-lampe blinker	Batteriet er opladet 0-5%.

Sådan oplades batteriet

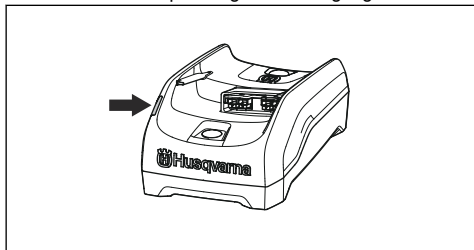
Oplad batteriet, hvis det er første gang, du bruger det. Et nyt batteri er kun 30 % opladet.



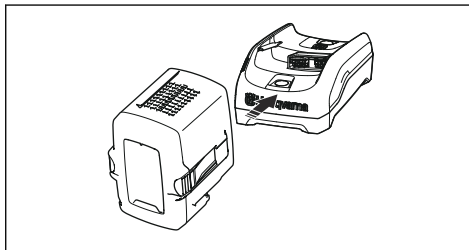
BEMÆRK: Tilslut batteriopladeren til et strømudtag med den spænding og frekvens, der fremgår af typeskiltet.

Batteriet oplades ikke, hvis batteriets temperatur er højere end 50 °C/122 °F.

- Tilslut strømkablet til batteriopladeren.
- Tilslut batteriopladeren til et jordet strømudtag. LED-indikatoren for opladning blinker en gang.



- Tilslutning af batteriet til batteriopladeren. LED-indikator for opladning tændes. Oplad batteriet i maks. 24 timer.



- Tryk på batteriindikatorknappen. Hvis alle LED-indikatorerne tændes, er batteriet fuldt opladet.
- Træk stikket ud for at frakoble batteriopladeren fra strømudtaget. Træk ikke i strømkablet.
- Fjern batteriet fra batteriopladeren.

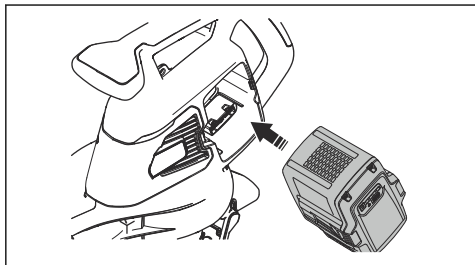
Sådan tilsluttes batteriet til produktet



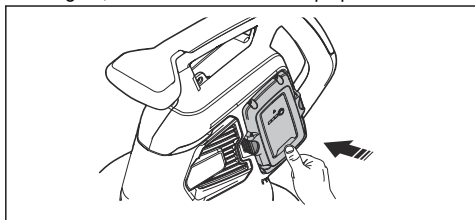
ADVARSEL: Brug kun originale Husqvarna-batterier i produktet.

- Kontrollér, at batteriet er fuldt opladt.

2. Skub batteriet ind i batteriholderen på produktet. Batteriet skal glide let, hvis ikke, er det ikke monteret korrekt.

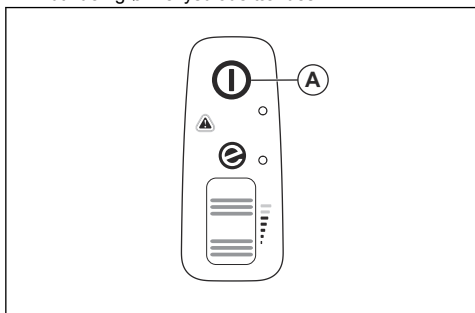


3. Tryk på den nederste del af batteriet, og skub det så langt ind i batterirummet som muligt. Batteriet er låst på plads, når du hører et klik.
4. Sørg for, at låsene klikker korrekt på plads.

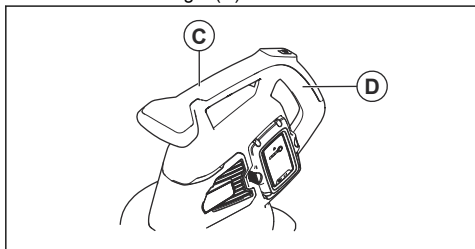


Sådan startes produktet

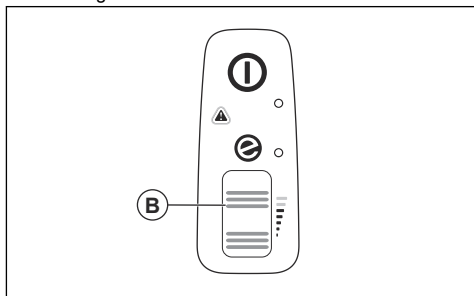
1. Tryk på start/stop-knappen (A), og hold den nede, indtil den grønne lysdiode tændes.



2. Hold ekstrahåndtaget (C) med den ene hånd, og hold hovedhåndtaget (D) med den anden hånd.

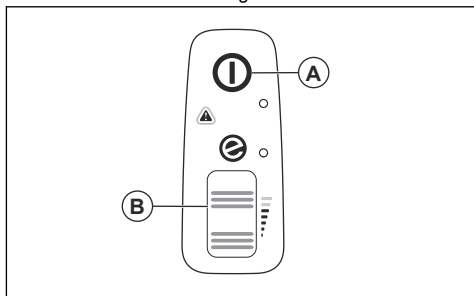


3. Rul effekthjulet (B) op for at starte blæsefunktionen eller sugefunktionen.



Sådan standses produktet

1. Rul effekthjulet (B) ned for at stoppe blæsefunktionen eller sugefunktionen.

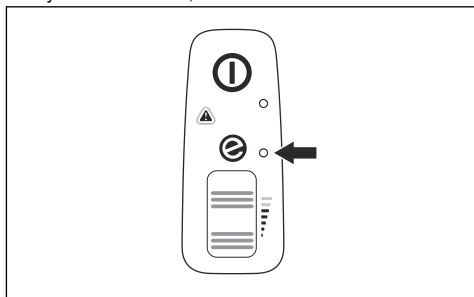


2. Tryk på start/stop-knappen (A), og hold den nede, indtil den grønne lysdiode slukkes.

ECO-tilstand

ECO-tilstand øger batteriets levetid.

- Rul effekthjulet ned for at starte ECO-tilstand. Lysdioden tændes, når ECO-tilstanden startes.



- Rul effekthjulet op for at starte normal tilstand. Lysdioden slukkes, når den normale tilstand startes.

Sådan tømmer du opsamlerposen



ADVARSEL:

Skarpe genstande kan forårsage personskade. Læg ikke hænderne i opsamlerposen, når du tømmer den.

1. Stands produktet.
2. Tag opsamlerposen af.
3. Vend vrangen på opsamlerposen ud, og fjern de indsamlede genstande.

4. Skyl posen med en vandslange.
5. Lad opsamlerposen tørre.
6. Sådan tømmes opsamlerposen.

Automatisk slukkefunktion

Dette produkt har en automatisk nedlukningsmetode, der standser produktet, hvis det ikke anvendes. Produktet slukker efter 1 minut.

Vedligeholdelse

Indledning



ADVARSEL: Inden du udfører vedligeholdelsesarbejde, skal du læse og forstå kapitlet om sikkerhed.

Vedligeholdelsesskema



ADVARSEL: Fjern batteriet, før du udfører vedligeholdelse.

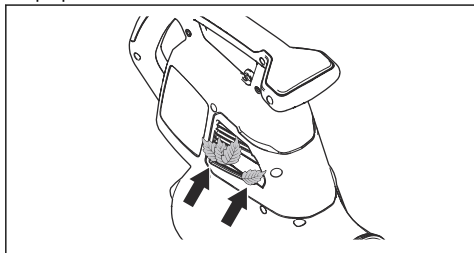
Nedenfor vises en oversigt over det vedligeholdelsesarbejde, der skal udføres på produktet.

Vedligeholdelse	Hver dag	Ugentligt	Månedligt
Rengør den udvendige overflade med en ren og tør klud. Brug ikke vand.	X		
Hold håndtagene tørre, rene og frie for olie og fedt.	X		
Sørg for, at start-/stopknappen fungerer korrekt og ikke er beskadiget.	X		
Sørg for, at effekthjulet fungerer korrekt og sikkert.	X		
Kontrollér, at møtrikkerne og skruerne er spændt.	X		
Efterse batteriet for skader.	X		
	X		
Sørg for, at udløserknapperne på batteriet fungerer korrekt, og at batteriet låses på plads i produktet.	X		
Efterse batteriopladeren for skader, og sørg for, at den fungerer korrekt.	X		
Undersøg alle koblinger, tilslutninger og kabler for skader, og sørg for, at de er fri for snavs.		X	
Kontrollér forbindelserne mellem batteriet og produktet, og kontrollér forbindelsen mellem batteriet og batteriopladeren.			X
Rengør ventilationsrillerne med en blød børste (brug ikke en skruetrækker).	X		
Afmonter og rengør blæserøret eller sugerøret.	X		
Tøm og rengør opsamlerposen. Se <i>Sådan tømmer du opsamlerposen på side 234</i> .	X		
Fjern græs, blade, snavs eller uønsket materiale fra indsugningsåbningen og indsugningsdækslet.	X		

Vedligeholdelse	Hver dag	Ugentligt	Månedligt
Undersøg ventilatorhjulet for snavs, og rengør om nødvendigt ventilatorhjulet med en sløv, lang genstand.	X		

Sådan kontrolleres luftindtaget

1. Sørg for, at luftindtaget ikke er blokeret på siderne på produktet.



2. Stands produktet, og fjern blade eller uønsket materiale efter behov.



BEMÆRK: Et tilstoppet luftindtag reducerer produktets blæsekapacitet og øger motorens driftstemperatur. Dette

kan medføre motorfejl, fordi motoren bliver for varm.

Sådan undersøges batteriet og batteriopladeren

1. Undersøg batteriet for skader, f.eks. revner.
2. Undersøg batteriopladeren for skader, f.eks. revner.
3. Undersøg regelmæssigt, at forbindelsesledningen til batteriopladeren er intakt, og at der ikke er revner i den.

Sådan rengøres produktet, batteriet og batteriopladeren

1. Rengør produktet med en tør klud efter brug.
2. Rengør batteriet og batteriopladeren med en tør klud. Hold batteristyre-sporene rene.
3. Sørg for, at polerne på batteriet og batteriopladeren er rene, før batteriet sættes i batteriopladeren eller produktet.

Fejlfinding

Brugergrænseflade

Brugergrænseflade	Mulige fejl	Mulig løsning
Den røde fejl-LED blinker.	Temperaturafvigelse.	Lad produktet køle ned.
	Rør eller ventilatordæksel er fjernet.	Saml røret eller ventilatordækslet.
	Batterifejl.	Udskift eller oplad batteriet.
	Service er nødvendig.	Kontakt din serviceforhandler.
Produktet starter ikke.	Batteritilslutningen er snavset.	Rengør med trykluft eller en blød børste.

Batteri

LED-display	Mulige fejl	Mulig løsning
Den grønne lysdiode blinker.	Lav batterispænding.	Oplad batteriet.
Fejl-LED blinker.	Temperaturafvigelse.	Brug batteriet i temperaturer mellem -10 °C (14 °F) og 40 °C (104 °F).
	For høj spænding.	Kontrollér, at netspændingen er i overensstemmelse med produktets spænding. Se typeskiltet på produktet.
		Fjern batteriet fra batteriopladeren.
Fejl-LED'en tændes.	For stor celleforskel (1 V).	Kontakt din serviceforhandler.

Batterioplader

Tilstand	Mulige fejl	Mulig procedure
LED-indikatoren for opladning lyser rødt.	Permanent fejl på batterioplader.	Snak med din forhandler.
LED-indikatoren for opladning blinker grønt.	Temperaturafvigelse, batteriet er for koldt eller for varmt til brug eller opladning.	Lad batteriet køle ned eller varmes op. Når batteriet har den korrekte temperatur, kan det bruges eller oplades igen. Brug batteriopladeren ved omgivende temperaturer på mellem 5 °C (41 °F) og 40 °C (104 °F).
LED-indikatoren for opladning blinker rødt.	Defekt batteri	Snak med din forhandler.

Transport, opbevaring og bortskaffelse

Transport og opbevaring

- De medfølgende li-ion-batterier overholder lovkravene vedrørende farligt gods.
- Overhold de særlige krav vedrørende emballage og etiketter til kommerciel transport, herunder tredjeparter og speditører.
- Tal med en person med specialuddannelse i farligt materiale, før du sender produktet. Overhold alle gældende nationale bestemmelser.
- Sæt tape på åbne kontakter, når batteriet lægges i en pakke. Sørg for, at batteriet ikke kan bevæge sig i pakken.
- Lad altid maskinen køle af, før den stilles væk.
- Fjern altid batteriet ved opbevaring eller transport.
- Sæt batteriet og batteriopladeren i et rum, der er tørt og fri for fugt og frost.
- Batteriet må ikke opbevares på steder, hvor statisk elektricitet kan forekomme. Opbevar ikke batteriet i en metalkasse.
- Opbevar batteriet ved temperaturer på mellem 5 °C og 25 °C og væk fra direkte sollys.
- Opbevar batteriopladeren ved temperaturer på mellem 5 °C og 45 °C og væk fra direkte sollys.
- Brug kun batteriopladeren ved en omgivende temperatur på mellem 5 °C og 40 °C.
- Oplad batteriet 30% til 50%, før du sætter det til opbevaring i længere tid.
- Opbevar batteriopladeren i et rum, der er lukket og tørt.
- Hold batteriet væk fra batteriopladeren under opbevaring. Lad ikke børn og andre ikke-autoriserede personer røre ved udstyret. Opbevar udstyret i et rum, der kan aflåses.

- Rengør produktet, og udfør fuld service, før du sætter produktet til opbevaring i længere tid.
- Brug transportskærmen på produktet for at forhindre personskader eller skader på produktet under transport og opbevaring.
- Fastspænd produktet sikkert under transporten.

hjælper med at forhindre skader på miljøet og på personer.

Kontakt lokale myndigheder, et renovationselskab eller din forhandler for at få flere oplysninger.



Bortskaffelse af batteriet, batteriopladeren og produktet

Symbolet nedenfor betyder, at produktet ikke er almindeligt husholdningsaffald. Aflever det på en genbrugsstation til elektrisk og elektronisk udstyr. Dette

Bemærk: Symbolet vises på produktet eller emballagen til produktet.

Tekniske data

Tekniske data

	120iBV
Motor	
Motorstype	BLDC (børsteløs) 36 V
Vægt	
Vægt uden batteri, kg	4,6
Støjemissioner ³⁷	
Lydeffektniveau, målt dB(A)	97
Lydeffektniveau, garanteret L _{WA} dB (A)	100
Lydniveauer ³⁸	
Ækvivalent lydtryksniveau ved brugerens ører målt i henhold til EN/ISO 11203 og ISO 22868, dB(A):	84
Vibrationsniveauer ³⁹	
Vibrationsniveauer i forreste/bageste håndtag målt i henhold til ISO 22867, m/s ²	1,4/1,7
Blæserydelse	
Luftstrøm i normal tilstand ved standardmundstykke, m ³ /min	6,7
Maks. lufthastighed i normal tilstand ved standardmundstykke, m/s	50/111

Støj- og vibrationsdata bestemmes på grundlag af den nominelle, maksimale hastighed.

Godkendte batterier

Brug kun Husqvarna originale 40-B -batterier til dette produkt.

³⁷ Støjemissioner til omgivelserne målt som lydeffekt (L_{WA}) i henhold til EF-direktiv 2000/14/EF. Rapporteret lydeffektniveau for maskinen er målt med det originale skæredstyr, der giver det højeste niveau. Forskellen mellem garanteret og målt lydeffekt er, at den garanterede lydeffekt også omfatter spredning i måleresultatet og variationerne mellem forskellige maskiner af samme model i henhold til direktivet 2000/14/EF.

³⁸ Rapporterede data for ækvivalent lydtryksniveau for maskinen har en typisk statistisk spredning (standardafvigelse) på 3 dB (A).

³⁹ Rapporterede data for vibrationsniveau har en typisk statistisk spredning (standardafvigelse) på 1,5 m/s².

Godkendte batterier

Batteri	40-B140
Type	Lithiumion
Batterikapacitet, Ah	4
Nominel spænding, V	36
Vægt, kg	1,25

Godkendte batteriopladere

Batterioplader	40-C80
Netspænding, V	100-240
Frekvens, Hz	50-60
Effekt, watt	72
Udgangsspænding, V (jævnstrøm)/ Ampere, A	43/1,6

Overensstemmelseserklæring

EU-overensstemmelseserklæring

Vi, **Husqvarna AB**, SE-561 82 Huskvarna, SVERIGE,
tlf.: +46-36-146500 erklærer under eneansvar, at det
pågældende produkt:

Beskrivelse	Håndholdt løvblæser/-suger
Varemærke	Husqvarna
Type / model	120iBV
Identifikation	Serienumrene fra 2022 og fremefter

overholder følgende EU-direktiver og bestemmelser:

Regulativ	Beskrivelse
2006/42/EF	"vedrørende maskiner"
2014/30/EU	"vedrørende elektromagnetisk kompatibilitet"
2011/65/EU	"om begrænsning af anvendelsen af visse farlige stoffer i elektrisk og elektronisk udstyr"
2000/14/EF	"vedrørende støjmissioner til omgivelserne"

og at følgende standarder og/eller
tekniske specifikationer anvendes: EN
60335-1:2012+A11+A13+A1+A14+A2+A15, EN
50636-2-100:2014, EN IEC 63000:2018, EN ISO
12100:2010, EN IEC 55014-1:2021; EN IEC
55014-2:2021

I overensstemmelse med direktiv 2000/14, bilag V, se
Tekniske data på side 237 for de angivne lydverdier.

Huskvarna, 2023-01-16



Claes Losdal, R&D Manager, Husqvarna AB

Ansvarlig for teknisk dokumentation

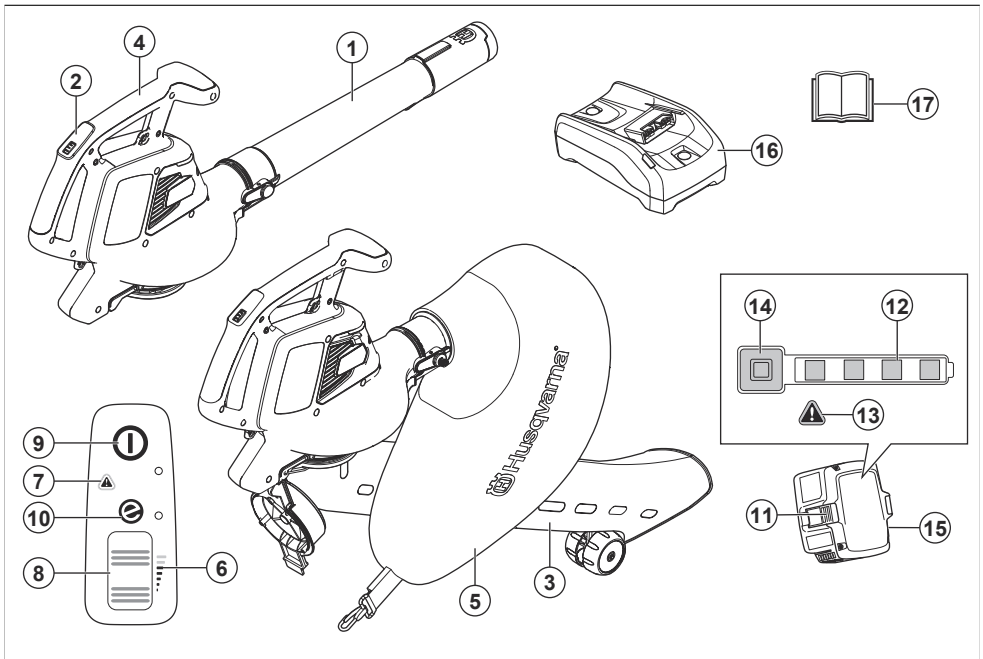


INNHold

Innledning.....	240	Feilsøking.....	252
Sikkerhet.....	242	Transport, oppbevaring og avhending.....	253
Montering.....	246	Tekniske data.....	254
Drift.....	248	Samsvarserklæring.....	256
Vedlikehold.....	251		

Innledning

Produktoversikt



1. Blåserør
2. Tastatur
3. Vakuumrør
4. Håndtak
5. Oppsamlingspose
6. Luftstrømindikator
7. Varsellampe (feilindikator)
8. Drivhjul
9. Start/stopp-knapp
10. SavE-indikator
11. Batteriutløserknapp
12. Batteristatus
13. Varsellampe (feilindikator)

14. Strøm- og advarselsindikator
15. Batteri, bare inkludert i Husqvarna 120iBV-blåsersettet
16. Batterilader, bare inkludert i Husqvarna 120iBV-blåsersettet
17. Bruksanvisning

Produktbeskrivelse

Husqvarna 120iBV er en hageblåser-/løvsugermodell med elektrisk motor.

Vi arbeider løpende med å videreutvikle produktene våre og forbeholder oss derfor retten til endringer vedrørende bl.a. form og utseende uten varsel.

Bruksområder

Blåsemodus: Løvblåseren er konstruert for å blåse smusspartikler eller gressrester bort fra gangveier, innkjørsler, gårds plasser og lignende. Den er også konstruert for å blåse gressrester, strå eller blader for å lage hauger, eller for å fjerne smusspartikler fra hjørner, skjøter eller åpninger mellom fliser eller murstein.

Vakuummodus: Løvsugeren er konstruert for å ta til seg tørt materiale. Dette inkluderer løv, gress, små kvister og papirbiter.

Symboler på produktet



ADVARSEL: Dette produktet kan være farlig og føre til alvorlig personskade eller død for brukeren eller andre. Vær forsiktig, og bruk produktet riktig.



Les bruksanvisningen nøye, og forsikre deg om at du forstår instruksjonene før du bruker produktet.



Bruk godkjent øyevern.



Nominell spenning, V



Direktestrøm.



Støyutslipp til omgivelsene som i EU-direktiver og forskrifter, britiske direktiver og forskrifter og New South Wales-forskriften «Protection of the Environment Operations (Noise Control) Regulation 2017». Garantert lydeffektnivå for produktet er angitt i *Tekniske data på side 254* og på etiketten.



Koble fra batteriet før vedlikehold.



Produktet og produktemballasjen er ikke restavfall. Resirkuler det på et gjenvinningsanlegg for elektrisk og elektronisk utstyr.



Dette produktet samsvarer med gjeldende EC-direktiver.



Dette produktet samsvarer med gjeldende britiske direktiver.



Må ikke utsettes for regn.



Vent til rotorbladene har stoppet etter at produktet er slått av.



Produktet skal bare brukes i vakuummodus når røret er ferdig montert.



Føreren av løvblåseren skal påse at ingen mennesker eller dyr kommer nærmere enn 15 meter. Når flere brukere arbeider på samme sted, skal sikkerhetsavstanden være på minst 15 meter. Løvblåseren kan kaste gjenstander med stor kraft, og disse kan sprette tilbake. Dette kan føre til alvorlige øyeskader hvis ikke anbefalt verneutstyr brukes.



yyyy wwxxxx

Typeskiltet viser serienummeret. **yyyy** er produktionsåret, **ww** er produksjonsuken.

Merk: Øvrige symboler/klistremærker på tilbehøret gjelder spesifikke krav for sertifiseringer på visse markeder.

Symboler på batteriet og/eller batteriladeren



Lever dette produktet til et gjenvinningsanlegg for elektrisk og elektronisk utstyr. (Gjelder kun Europa)



Feisikker transformator.



Batteriladeren skal bare brukes og oppbevares innendørs.



Dobbeltisolert.

Produsent

Husqvarna AB

Drottninggatan 2, SE-561 82 Huskvarna

Skader på produktet

Vi er ikke ansvarlige for skader på produktet vårt hvis:

- Produktet er reparert på feil måte.
- Produktet er reparert med deler som ikke kommer fra produsenten eller som ikke er godkjent av produsenten.
- Produktet har et tilbehør som ikke kommer fra produsenten eller som ikke er godkjent av produsenten.
- Produktet er ikke reparert på et godkjent servicesenter eller av en godkjent aktør.

Sikkerhet

Sikkerhetsdefinisjoner

Advarsler, oppfordringer og merknader brukes for å understreke spesielt viktige deler av bruksanvisningen.



ADVARSEL: Brukes hvis det er fare for personskade eller død for føreren eller andre personer om instruksjonene i håndboken ikke følges.



OBS: Brukes hvis det er fare for skade på produktet og/eller tilbehør, annet materiell eller det nærliggende området hvis instruksjonene i bruksanvisningen ikke følges.

Merk: Brukes for å gi mer nødvendig informasjon for en spesifikk situasjon.

Generelle sikkerhetsinstruksjoner



ADVARSEL: Les de følgende advarselsinstruksjonene før du bruker produktet.

- Les instruksjonene nøye slik at du er kjent med kontrollene og riktig bruk av maskinen. Et produkt som brukes feil eller uaktsomt kan være et farlig redskap, som kan forårsake alvorlige, til og med livstruende skader for brukeren eller tilskuere.
- Den opprinnelige konstruksjonen til produktet må ikke under noen omstendigheter endres uten tillatelse fra produsenten. Bruk aldri et produkt som er modifisert slik at det ikke lenger er i samsvar med originalutførelsen, og bruk alltid originalt tilbehør. Uautoriserte endringer og/eller tilleggsutstyr kan medføre alvorlige skader eller dødsfall for brukeren eller andre. Garantien din dekker kanskje ikke skader eller erstatningsansvar som følge av bruk av uautoriserte tilbehør og reservedeler.

- Dette produktet danner et elektromagnetisk felt når det er i bruk. Dette feltet kan under visse forhold forstyrre aktive eller passive medisinske implantater. For å redusere faren for forhold som kan føre til alvorlig eller livstruende skade, anbefaler vi at personer med medisinske implantater rådfører seg med sin lege og produsenten av det medisinske implantatet før dette produktet tas i bruk.
- Ta batteriet ut av produktet før lading.

Generelle sikkerhetsadvarsler for motorredskaper

Kontroll før start

- Inspiser arbeidsområdet. Fjern alle løse gjenstander, for eksempel steiner, glasskår, spikere, ståltråd, tau osv. som kan slynges av sted.
- Fjern alltid batteriet for å hindre at maskinen startes ved et uhell. Frakoble alltid batteriet før det utføres vedlikehold på maskinen.
- Før maskinen brukes og etter at den har vært utsatt for slag må den kontrolleres for tegn på skader, og reparasjoner utføres etter behov.
- Bruk bare originalreservedeler.
- Brukere av maskinen skal sørge for at ikke mennesker eller dyr kommer nærmere enn 15 meter under arbeid. Hvis flere arbeider på samme sted, skal sikkerhetsavstanden være minst 15 meter.
- Foreta en inspeksjon av hele maskinen før bruk. Se vedlikeholdsskjemaet.
- Bruken av denne maskinen kan være regulert av nasjonal eller lokal lovgivning. Følg gjeldende lovgivning.

Personlig sikkerhet

- **Vær oppmerksom, følg med på det du gjør, og utvis sunn fornuft når du bruker elektroverktøyet. Ikke bruk elektroverktøyet hvis du er trett eller påvirket av medikamenter, alkohol eller medisiner.** Et øyeblikks uoppmerksomhet ved bruk av elektroverktøy kan føre til alvorlig personskade.

- Hold tilskuere på avstand.
- Maskinen er ikke ment for å brukes av personer (inkludert barn) med redusert fysisk, sansemessig eller mental kapasitet eller personer uten erfaring og kunnskap, hvis de ikke er under tilsyn og får instruksjoner i bruk av maskinen av en person som er ansvarlig for deres sikkerhet. Barn må holdes under oppsyn for å sikre at de ikke leker med apparatet.
- La aldri barn eller personer som ikke har satt seg inn i bruksanvisningen, bruke produktet. Brukerens lavalder kan være fastsatt i lokale forskrifter.
- Hold uautoriserte personer på avstand. Barn, dyr, tilskuere og hjelpere bør stå utenfor sikkerhetssonen på 15 meter (50 fot). Stopp maskinen øyeblikkelig hvis noen kommer nærmere.
- Oppbevar utstyret i et låsbart område, slik at det er utilgjengelig for barn og uautoriserte personer.
- Ikke bruk maskinen på en brolagt overflate eller grusflater der elementer som slynges ut av maskinen, kan forårsake skader.
- Bruk alltid robust fottey og lange bukser når du bruker maskinen. Vær ikke barbert og bruk ikke åpne sandaler når du bruker maskinen. Unngå løstsittende klær eller klær med løse tråder eller snorer.
- Ha ikke på deg løse plagg eller smykker som kan bli trukket inn i luftinntaket. Hold langt hår borte fra luftinntakene.
- Bruk aldri maskinen hvis du er trett, har drukket alkohol eller bruker medisiner som kan påvirke syn, vurderingsevne eller kroppskontroll.
- Bruk personlig verneutstyr. Se instruksjoner under overskriften «Personlig verneutstyr».
- Fjern alltid batteriet når maskinen gis til en annen person.
- Husk at det er du som bruker som har ansvaret for å unngå at personer eller eiendom utsettes for fare.

Bruk og vedlikehold av el-verktøy

- Bruk aldri en maskin som er modifisert slik at den ikke lenger er i samsvar med originalutførelsen. Bruk aldri maskinen i nærheten av eksplosive eller brennbare materialer.
- Bruk aldri en maskin som det er noe galt med. Utfør sikkerhetskontrollene og vedlikeholds- og serviceinstruksjonene i denne bruksanvisningen. Noen vedlikeholds- og servicetiltak må utføres av erfarne og kvalifiserte spesialister. Se anvisninger under overskriften Vedlikehold.
- Bruk bare originalreservedeler.
- Pass alltid på at ventilasjonsåpningene holdes frie for smuss.
- Alle deksler, alt vern og alle håndtak må være montert før maskinen startes.
- Bruk bare maskinen i dagslys eller med god belysning.

- Bruk aldri maskinen i dårlig vær, for eksempel i tåke, regn, fuktig eller vått miljø, sterk vind, kraftig kulde, ved fare for lyn osv. Ekstremt varmt vær kan føre til at maskinen blir overopphetet. Det å arbeide i dårlig vær er slitsomt og kan skape farlige omstendigheter, for eksempel glatt underlag.
- Hvis maskinen begynner å vibrere unormalt, må du stoppe maskinen og ta ut batteriet.
- Gå, ikke løp.

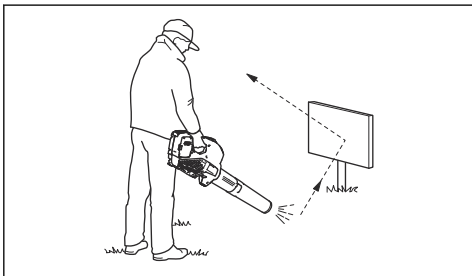
Sikkerhetsinstruksjoner for drift



ADVARSEL: Les de følgende advarselsinstruksjonene før du bruker produktet.

- Når du kommer ut for en situasjon som gjør deg usikker på fortsatt bruk, skal du rådføre deg med en ekspert. Henvend deg til din forhandler eller ditt serviceverksted. Unngå all bruk som du ikke føler deg kvalifisert til.
- Sørg for at du kan gå og stå sikkert. Se etter eventuelle hindre ved uventet forflytting (røtter, steiner, greiner, groper, forhøyninger osv.). Vær meget forsiktig ved arbeid i skrånende terreng.
- Ha god balanse og sikkert fotfeste til enhver tid. Ikke strekk deg for langt.
- Vær alltid oppmerksom på varselsignaler eller tilrop ved bruk av hørselsvern. Ta alltid av hørselvernet så snart produktet stopper.
- Ikke bruk produktet i nærheten av åpne vinduer.
- Vis hensyn til personer i omgivelsene ved å unngå å bruke produktet på ugunstige tidspunkt, eksempelvis sent om kvelden eller tidlig om morgenen. Følg lokale bestemmelser og forskrifter.
- Bruk produktet med lavest mulig luftstrøm. Det er sjelden nødvendig å bruke full luftstrøm. Mange arbeidsoppgaver kan utføres med halv luftstrøm. Lavere luftstrøm innebærer mindre støy og støv. Det er også lettere å ha kontroll over avfallet som skal samles sammen / flyttes.
- I støvete omgivelser bør du fukte overflatene litt når du bruker produktet.
- Bruk rake eller kost for å løse fastsittende avfall fra bakken.
- Hold blåserørets munning så nær bakken som mulig.
- Vær oppmerksom på omgivelsene. Rett produktet bort fra mennesker, dyr, lekeplasser og biler osv.
- Reduser blåsetiden ved å væte støvete områder eller ved å bruke sprøyteutstyr.
- Vær oppmerksom på vindretningen. Arbeid i vindens retning for at arbeidet skal bli lettere.
- Slå av produktet og ta ut batteriet hvis produktet begynner å vibrere unormalt.
- Bruk av løvblåseren til å flytte store hauger er tidkrevende og skaper unødvendig støv.
- Rydd opp etter deg. Forviss deg om at du ikke har blåst avfall inn på andres eiendom.

- Ikke løp med produktet.
- Den kraftige luftstrømmen kan forflytte gjenstander med en slik hastighet at de kan sprette tilbake og forårsake alvorlige øyeskader.



- Ikke rett luftstrømmen mot mennesker eller dyr.
- Stopp motoren før du setter på eller tar av tilbehør eller andre deler.
- Hold alle deler av kroppen borte fra varme overflater.
- Sett aldri produktet ned med motoren i gang uten at du har det under oppsikt.
- Stopp maskinen og fjern batteriet. Kontroller at alle de bevegelige delene har stoppet helt:
 - når du forlater maskinen
 - før du fjerner blokkeringer eller renser utblåsningskanalen
 - før du kontrollerer, rengjør eller arbeider på maskinen
- Slå av strømkilden umiddelbart, og la maskinen stoppe hvis skjæremekanismen treffer fremmedlegemer eller hvis maskinen begynner å lage uvanlige lyder eller vibrasjoner. Koble batteriet fra maskinen, og utfør følgende trinn før du starter og bruker maskinen igjen:
 - se etter skader
 - skift ut eller reparer eventuelt skadde deler
 - kontroller og stram til eventuelt løse deler
- Hvis maskinen tilstoppes, må du slå av strømkilden og koble maskinen fra batteriet før du rengjør uønsket materiale.
- Ikke transporter denne maskinen mens strømkilden er på.
- Ikke vipp maskinen mens strømkilden er på.
- Løvblåseren må ikke brukes i stiger eller på stillaser.



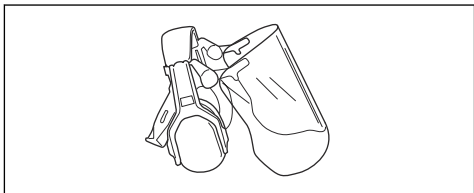
- Bruk aldri produktet uten mulighet til å kunne påkalle hjelp ved en ulykke.
- Se opp for gjenstander som slynges ut. Steiner, skrot o.l. kan kastes opp i øynene og forårsake blindhet eller alvorlige skader.
- Bruk en reststrømenhet (RCI) for å øke sikkerheten når du lader produktet. Det er montert en reststrømenhet for å beskytte operatøren i tilfelle en elektrisk feil oppstår.
- Dette produktet er kjent for lavt vibrasjonsnivå. Overeksponering for vibrasjoner kan føre til blodkar- eller nerveskader hos personer som har blodsirkulasjonsforstyrrelser. Oppsøk lege hvis du opplever fysiske symptomer som kan relateres til overeksponering for vibrasjoner. Eksempel på slike symptomer er dovnang, manglende følelse, «killing», forandringer i hudens farge eller overflate. Disse symptomene oppstår vanligvis i fingre, hender eller håndledd.
- Produktet skal bare brukes til det formålet det er beregnet på.
- Det er umulig å dekke alle de tenkelige situasjonene som kan oppstå. Vær alltid forsiktig og bruk sunn fornuft. Unngå situasjoner du ikke føler deg tilstrekkelig kvalifisert for. Hvis du etter å ha lest disse instruksjonene fortsatt føler deg usikker vedrørende bruken, skal du rådføre deg med en ekspert før du fortsetter.

Personlig verneutstyr

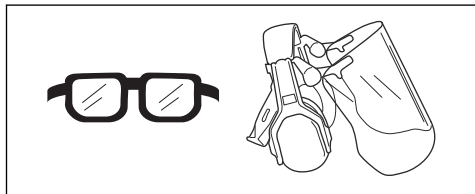


ADVARSEL: Les de følgende advarselsinstruksjonene før du bruker produktet.

- Benytt alltid godkjent verneutstyr når du bruker produktet. Verneutstyr kan aldri fullstendig forhindre skade, men det reduserer skadeomfanget hvis ulykken inntreffer. Spør forhandleren din om hjelp til å velge riktig utstyr.
- Langvarig eksponering for støy kan gi hørselsskader. Batteridrevne produkter er generelt relativt stillestående, men skade kan oppstå ved en kombinasjon av støynivå og lang tids bruk. anbefaler at operatørene har på seg hørselsvern når de bruker produkter i en lang sammenhengende tidsperiode. Regelmessige brukere bør sjekke hørselen sin jevnlig. Vær oppmerksom på at hørselsvern gir begrenset mulighet til å høre lyder og varsignaler.



- Bruk godkjent øyevern. Ved bruk av visir skal det også brukes godkjente vernebriller. Godkjente vernebriller er slike som tilfredsstiller standard ANSI Z87.1 for USA eller EN 166 for EU-land.



- Bruk klær av et slitesterkt materiale. Bruk alltid tykke langbukser og lange ermer. Unngå bruk av allfor vide klær som lett henger seg fast i kvister og grener. Ikke bruk smykker, kortbukser eller sandaler, og ikke gå barbert. Sett håret opp over skuldernivå.
- Ha førstehjelpsutstyr for hånden.



- Åndedrettsvern skal brukes når det er risiko for støv.

Sikkerhetsutstyr på produktet

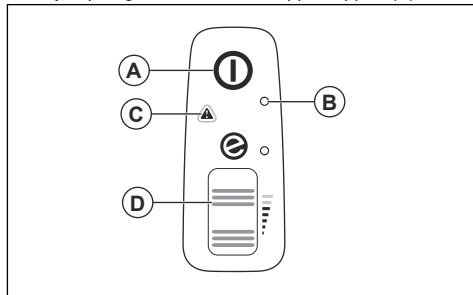


ADVARSEL: Les de følgende advarselsinstruksjonene før du bruker produktet.

- I dette avsnittet forklares produktets sikkerhetsfunksjoner, hvilken funksjon det har, og hvordan man utfører kontroll og vedlikehold for å være sikker på at det fungerer. Se bruksanvisningen under overskriften *Produktoversikt på side 240* for å finne ut hvor disse delene er plassert på produktet.
- Levetiden til produktet kan forkortes og risikoen for ulykker kan øke dersom produktvedlikeholdet ikke utføres på riktig måte, og dersom service eller reparasjoner ikke er fagmessig utført. Hvis du trenger ytterligere informasjon, kan du kontakte nærmeste servicesenter.
- Bruk aldri et produkt med defekt sikkerhetsutstyr. Produktets sikkerhetsutstyr skal kontrolleres og vedlikeholdes som beskrevet i dette avsnittet. Hvis produktet ikke består alle kontrollene, må serviceverksted oppsøkes for reparasjon.
- All service og reparasjon av produktet krever spesialopplæring. Dette gjelder særlig produktets sikkerhetsutstyr. Hvis produktet ikke består alle kontrollene som er oppgitt nedenfor, må du oppsøke et serviceverksted. Kjøp av våre produkter garanterer at du kan få utført en fagmessig reparasjon og service. Hvis produktet ikke kjøpes hos en av våre serviceforhandlere, kan du spørre om hvor nærmeste serviceverksted er.

Slik kontrollerer du tastaturet

1. Trykk på og hold inne start/stopp-knappen (A).



- a) Produktet er slått på når LED-lampen (B) lyser.
 - b) Produktet er slått av når LED-lampen (B) er slukket.
2. Se *Brukergrensesnitt på side 252* hvis varsellampen (C) lyser eller blinker.
 3. Trykk inn og slipp drivhjulet (D) for å kontrollere at det beveger seg fritt.

Batterisikkerhet



ADVARSEL: Les de følgende advarselsinstruksjonene før du bruker produktet.

- Bruk bare batterier i 40-B-serien som vi anbefaler for produktet ditt. Se *Godkjente batterier på side 254*. Batteriene er programvarekryptert.
- Bruk bare oppladbare batterier i 40-B-serien som strømforsyning for relaterte Husqvarna-produkter. For å unngå personskader må du ikke bruke batteriet som strømforsyning for andre enheter.
- Føre for elektrisk støt. Ikke la batteripolene komme i kontakt med nøkler, skruer eller andre metallgjenstander. Dette kan føre til kortslutning av batteriet.
- Ikke bruk batterier som ikke er oppladbare.
- Ikke sett gjenstander inn i luftåpningene til batteriet.
- Hold batteriet unna sollys, varme og åpen ild. Batteriet kan forårsake forbrenninger og/eller kjemiske forbrenninger.
- Hold batteriet unna regn og fuktighet.
- Hold batteriet unna mikrobløtger og høyt trykk.
- Ikke prøv å demontere eller ødelegge batteriet.
- Bruk batteriet i temperaturer mellom $-10\text{ }^{\circ}\text{C}$ ($14\text{ }^{\circ}\text{F}$) og $40\text{ }^{\circ}\text{C}$ ($104\text{ }^{\circ}\text{F}$).
- Ikke rengjør batteriet eller batteriladeren med vann. Se *Slik rengjør du produktet, batteriet og batteriladeren på side 252*.
- Ikke bruk et defekt eller skadet batteri.
- Oppbevar batteriene unna metallgjenstander, for eksempel spikre, skruer og smykker.
- Oppbevar batteriet utilgjengelig for barn.

Sikker bruk av batteriladeren



ADVARSEL: Les de følgende advarselsinstruksjonene før du bruker produktet.

- Fare for elektrisk støt eller kortslutning hvis sikkerhetsinstruksjonene ikke følges.
- Ikke bruk andre batteriladere enn den som ble levert med produktet. Bruk bare 40-C80-ladere når du lader utbyttbare Husqvarna 40-B140-batterier. Se *Godkjente batteriladere på side 255* og *Godkjente batterier på side 255*.
- Ikke prøv å demontere batteriladeren.
- Ikke bruk en defekt eller skadet batterilader.
- Ikke løft batteriladeren etter strømledningen. For å koble laderen fra stikkkontakten drar du i støpselet. Ikke dra i ledningen.
- Hold alle ledninger og skjøteledninger borte fra vann, olje og skarpe kanter. Pass på at kableten ikke kommer i klem mellom objekter, for eksempel dører, gjerder eller lignende.
- Ikke bruk batteriladeren i nærheten av brennbare materialer eller materialer som kan forårsake korrosjon. Kontroller at batteriladeren ikke er tildekket. Trekk ut støpselet til batteriladeren hvis det oppstår røyk eller brann.
- Bare lad batteriet innendørs på et sted med god luftsirkulasjon og som er beskyttet mot direkte sollys. Ikke lad batteriet utendørs. Ikke lad batteriet i fuktige omgivelser.
- Bare bruk batteriladeren i temperaturer mellom 5 °C (41 °F) og 40 °C (104 °F). Bruk laderen i godt ventilerte, tørre og støvfrie omgivelser.
- Ikke sett gjenstander inn i luftåpningene til laderen.
- Berør aldri ladekontaktene med metallgjenstander. Dette kan kortslutte batteriladeren.

- Bruk bare godkjente stikkontakter som ikke er skadet. Kontroller at ledningen til batteriladeren ikke er skadet. Hvis skjøteledninger brukes, må du passe på at skjøteledningene ikke er skadet.

Sikkerhetsinstruksjoner for vedlikehold



ADVARSEL: Les følgende advarsler før du utfører vedlikehold på produktet.

- Når maskinen er stoppet for service, kontroll eller lagring, eller for å endre tilbehør, må du la maskinen kjøles ned før du foretar kontroller, justeringer osv. Vedlikehold maskinen nøye, og hold den ren.
- Fjern batteriet før du utfører vedlikehold, andre kontroller eller monterer produktet.
- Operatøren må bare utføre vedlikehold og service som refereres til i denne bruksanvisningen. Henvend deg til forhandleren for mer omfattende vedlikehold og service.
- Pass på at alle muttere, bolter og skruer er godt tiltrukket, slik at produktet alltid er i sikker driftsmessig stand.
- Bytt ut slitte eller skadde deler.
- Hvis du ikke utfører vedlikehold, minsker levetiden til produktet og risikoen for ulykker øker.
- Det kreves spesiell opplæring for alt vedlikehold og reparasjonsarbeid, spesielt for sikkerhetsutstyret på produktet. Hvis ikke alle kontrollene i denne bruksanvisningen er godkjent etter utført vedlikehold, må du ta kontakt med serviceforhandleren. Vi garanterer at fagmessig reparasjon og service er tilgjengelig for produktet.
- Bruk bare originale reservedeler.

Montering

Blåsemodus



ADVARSEL:

Kuttskader kan oppstå når rotorbladene svinger, eller hvis produktet starter ved et uhell. Fjern batteriet, og vent til rotorbladene stopper før du monterer produktet.

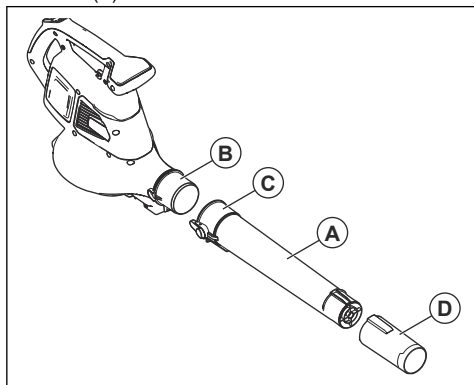
Slik monterer du blåserøret

Merk: Hvis blåserøret ikke er riktig montert, vil en sikkerhetsbryter forhindre at løvblåseren starter.



ADVARSEL: Monter blåserøret og inntaksdekselet helt før du bruker produktet i blåsemodus.

1. Skyv blåserøret (A) inn på blåserutgangen (B).
Låsen (C) kobles inn når du hører et klikk.

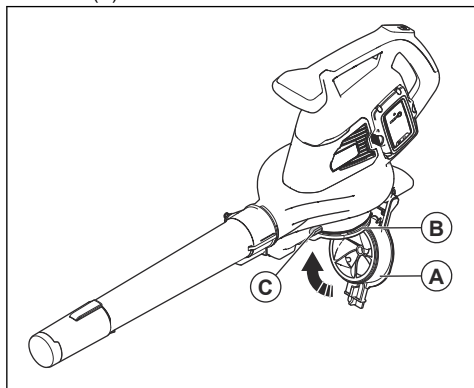


2. Monter blåsermunnstykket (D) på blåserøret.
Blåsermunnstykket låses på plass når du hører et klikk.

Slik monterer du inntaksdekselet

Merk: Hvis inntaksdekselet ikke er riktig montert, vil en sikkerhetsbryter hindre at løvblåseren starter.

- Lukk inntaksdekselet (A) på blåserinntaket (B).
Låsen (C) kobles inn når du hører et klikk.



Vakuummodus



ADVARSEL: Monter vakuurrørret og oppsamlingsposen helt før du bruker produktet i vakuummodus.

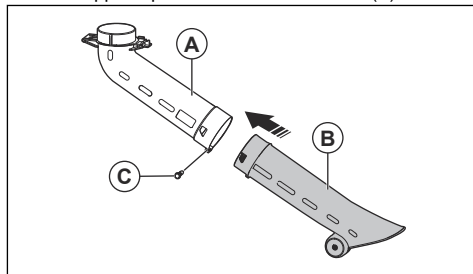
Slik monterer du vakuurrørret



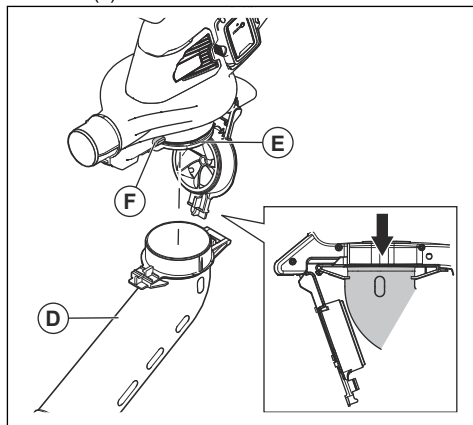
ADVARSEL: Monter de øvre og nedre vakuurrørene før du starter produktet.

Merk: Hvis vakuurrørret ikke er riktig montert, vil en sikkerhetsbryter forhindre at løvsugeren starter.

1. Still sporene på det øvre vakuurrørret (A) på linje med tappene på det nedre vakuurrørret (B).



2. Skyv det nedre vakuurrørret inn på det øvre vakuurrørret til du hører et klikk.
3. Trekk til skruen (C).
4. Monter vakuurrørret (D) på vakuuminntaket (E).
Låsen (F) kobles inn når du hører et klikk.



Slik monterer du oppsamlingsposen

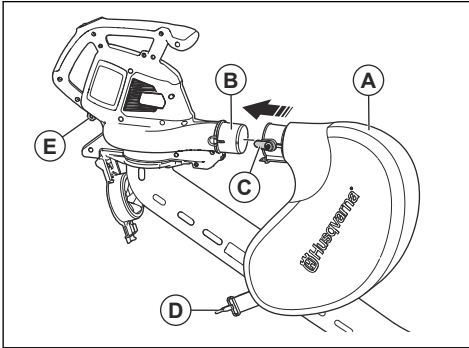
Merk: Hvis oppsamlingsposen ikke er riktig montert, vil en sikkerhetsbryter stoppe startprosedyren for produktet.



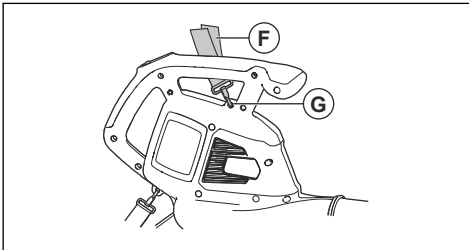
ADVARSEL: Stopp maskinen før du fester eller fjerner posen.

1. Fjern blåserøret hvis det er montert på produktet.

2. Skyv oppsamlingsposen (A) inn på vakuutmgangen (B). Låsen (C) kobles inn når du hører et klikk.



3. Fest stroppen på oppsamlingsposen (D) til holderen (E).
4. Fest skulderstroppen (F) til holderen (G).



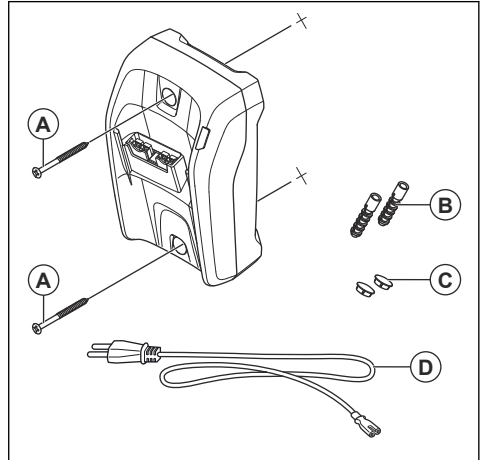
5. Kontroller at oppsamlingsposen er helt lukket.

Slik monterer du batteriladeren på veggen



OBS: Ikke bruk en elektrisk skrutrekker til å montere batteriladeren på veggen. En elektrisk skrutrekker kan skade batteriladeren.

1. Monter batteriladeren på veggen med de to skruene (A). Bruk veggplugg (B) hvis det er nødvendig.



2. Monter de to skruerullpluggene (C).
3. Koble strømledningen (D) til batteriladeren og en stikkontakt.

Drift

Innledning



ADVARSEL: Les og forstå kapittelet om sikkerhet før du bruker produktet.

Slik utfører du en funksjonskontroll før du bruker produktet

1. Kontroller luftinntaket for smuss og sprekker. Bruk en børste for å fjerne gress og blader fra produktet.
2. Kontroller at produktet fungerer som det skal.
3. Kontroller alle muttere og skruer, og sørg for at de er stramme.

Batteri



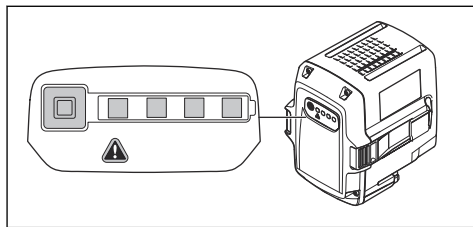
ADVARSEL: Les og forstå kapittelet om sikkerhet før du bruker batteriet. Les og forstå bruksanvisningen for batteriet og batteriladeren.

Batteriet og batteriladeren må oppbevares i riktig omgivelsestemperatur.

	Omgivelsestemperatur
Bruk av batteriet	5 °C–40 °C / 41 °F–104 °F
Lade batteriet	5 °C–40 °C / 41 °F–104 °F

Batteristatus

Displayet viser ladestatusen og eventuelle problemer med batteriet.



LED-indikator	Batteriets ladestatus
4 LED-lamper lyser	Batteriet er 76–100 % ladet.
3 LED-lamper lyser.	Batteriet er 51–75 % ladet.
2 LED-lamper lyser.	Batteriet er 26–50 % ladet.
1 LED-lampe lyser.	Batteriet er 6–25 % ladet.
1 LED-lampe blinker.	Batteriet er 0–5% ladet.

Slik lader du batteriet

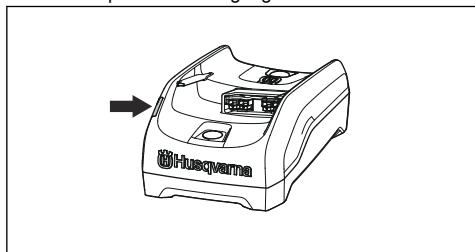
Hvis det er første gang du bruker batteriet, må du lade det. Et nytt batteri er bare 30 % ladet.



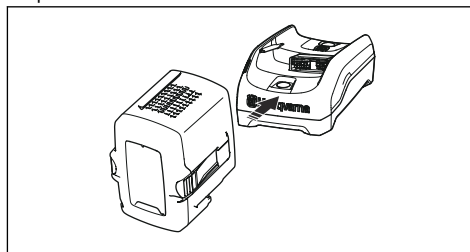
OBS: Koble batteriladeren til et strømuttak med den spenningen og frekvensen som er angitt på typeskiltet.

Batteriet lades ikke hvis batteritemperaturen er på over 50 °C/122 °F.

1. Koble strømledningen til batteriladeren.
2. Koble batteriladeren til en jordet stikkontakt. Ladelampen blinker én gang.



3. Koble batteriet til batteriladeren. Ladelampen slås på. Lad batteriet i maks. 24 timer.



4. Trykk på batteriindikatorknappen. Hvis alle LED-indikatorene lyser, er batteriet fulladet.
5. Trekk i støpselet for å ta batteriladeren ut av strømuttaket. Ikke dra i ledningen.
6. Fjern batteriet fra batteriladeren.

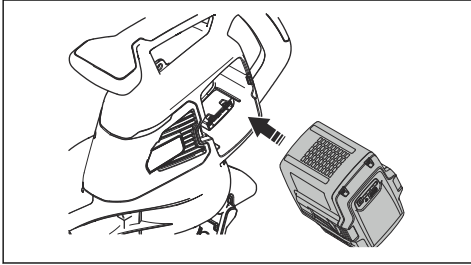
Slik kobler du batteriet til produktet



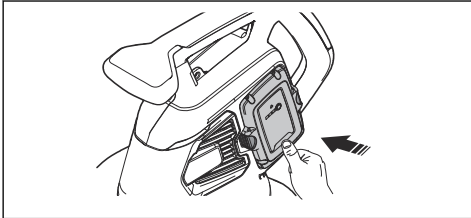
ADVARSEL: Bruk bare originale Husqvarna-batterier i produktet.

1. Kontroller at batteriet er fulladet.

2. Skyv batteriet inn i batteriholderen på produktet. Batteriet skal gli lett. Hvis det ikke gjør det, er det ikke riktig installert.

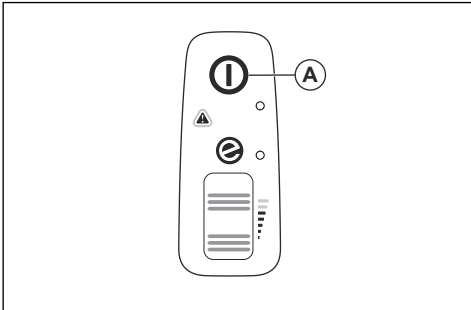


3. Trykk på den nedre delen av batteriet, og skyv det så langt inn det går i batterirommet. Batteriet låses på plass når du hører et klikk.
4. Kontroller at låsene klikker på plass riktig.

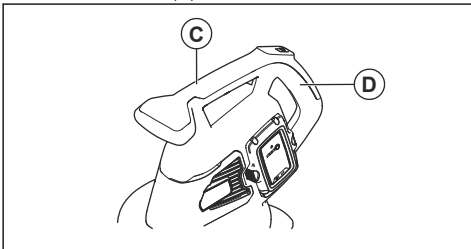


Slik starter du produktet

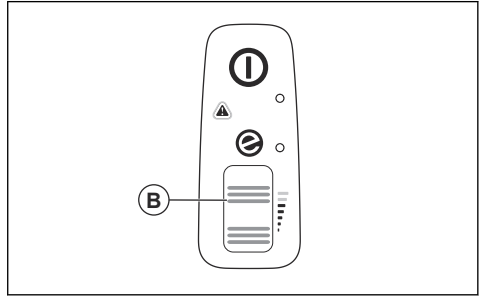
1. Trykk på og hold nede start/stopp-knappen (A) til den grønne LED-lampen tennes.



2. Hold hjelpehåndtaket (C) med én hånd, og hold hovedhåndtaket (D) med den andre hånden.

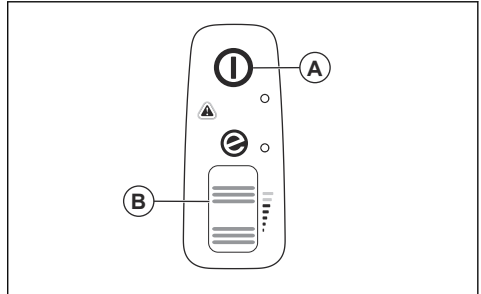


3. Rull drivhjulet (B) opp for å starte blåsemodus eller vakuummodus.



Slik stopper du produktet

1. Rull drivhjulet (B) ned for å stoppe blåsemodus eller vakuummodus.

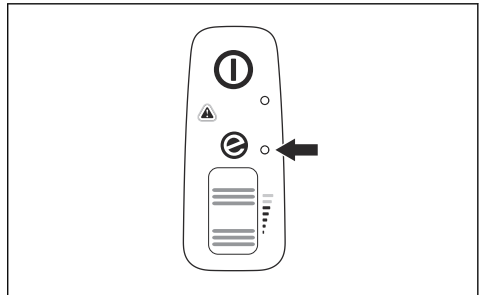


2. Trykk på og hold inne start/stopp-knappen (A) til den grønne LED-lampen slukkes.

ECO-modus

ECO-modus øker batteriets levetid.

- Rull drivhjulet ned for å starte ECO-modus. LED-lampen tennes når ECO-modus startes.



- Rull drivhjulet opp for å starte normal modus. LED-lampen slukkes når normal modus startes.

Slik tømmer du oppsamlingsposen



ADVARSEL:

Skarpe gjenstander kan forårsake personskade. Ikke ta hendene i oppsamlingsposen når du tømmer den.

1. Stopp produktet.
2. Fjern oppsamlingsposen.
3. Vreng ut oppsamlingsposen, og fjern de oppsamlede gjenstandene.

4. Rengjør oppsamlingsposen med en vannslange.
5. La oppsamlingsposen tørke.
6. Monterer oppsamlingsposen.

Funksjon for automatisk avslåing

Produktet har en automatisk avslåingsfunksjon som stopper produktet hvis produktet ikke brukes. Produktet slås av etter 1 minutt.

Vedlikehold

Innledning



ADVARSEL: Før du utfører vedlikeholdsarbeid, må du lese og forstå kapitlet om sikkerhet.

Vedlikeholdsskjema



ADVARSEL: Fjern batteriet før du utfører vedlikehold.

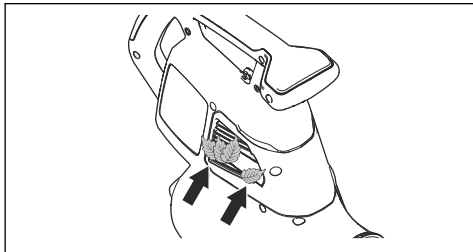
Under følger en liste over vedlikeholdstrinnene som må utføres på produktet.

Vedlikehold	Daglig	Ukentlig	Månedlig
Rengjør den utvendige overflaten med en tørr og ren klut. Du må ikke bruke vann.	X		
Hold håndtakene tørre, rene og frie for olje og fett.	X		
Kontroller at start/stopp-knappen fungerer på riktig måte, og at den ikke er skadet.	X		
Kontroller at drivhjulet fungerer som det skal med tanke på sikkerhet.	X		
Kontroller at mutrene og skruene er trukket til.	X		
Kontroller batteriet for skader.	X		
	X		
Kontroller at utløserknappene på batteriet fungerer riktig og at batteriet låses fast i produktet.	X		
Undersøk batteriladeren for skader, og sørg for at den fungerer på riktig måte.	X		
Undersøk alle koblinger, forbindelser og kabler for skader, og sørg for at de er fri for smuss.		X	
Kontroller forbindelsene mellom batteriet og produktet, og kontroller også forbindelsen mellom batteriet og batteriladeren.			X
Rengjør luftstrømsporene med en myk børste (bruk ikke skrutrekkeren).	X		
Fjern og rengjør blåserøret eller vakuurnøret.	X		
Tøm og rengjør oppsamlingsposen. Se <i>Slik tømmer du oppsamlingsposen på side 251</i> .	X		
Fjern gress, løv, smuss eller uønsket materiale fra inntaksåpningen og inntaksdekselet.	X		

Vedlikehold	Daglig	Ukentlig	Månedlig
Undersøk vifteløpehjulet for forurensning, og rengjør vifteløpehjulet om nødvendig med en uskarp, lang gjenstand.	X		

Slik kontrollerer du luftinntaket

1. Kontroller at luftinntaket ikke blokkeres på sidene av produktet.



2. Slå av produktet, og fjern løv eller uønsket materiale hvis det er nødvendig.



OBS: Et blokkert luftinntak reduserer produktets blåsekapasitet og øker motorens arbeidstemperatur. Dette

kan føre til motorfeil fordi motoren overoppheter.

Slik kontrollerer du batteriet og batteriladeren

1. Kontroller batteriet for skader, for eksempel sprekker.
2. Kontroller batteriladeren for skader, for eksempel sprekker.
3. Kontroller at strømledningen til batteriladeren ikke er skadet, og at det ikke er sprekker i den.

Slik rengjør du produktet, batteriet og batteriladeren

1. Rengjør produktet med en tørr klut etter bruk.
2. Rengjør batteriet og batteriladeren med en tørr klut. Hold batterisporene rene.
3. Kontroller at terminalene på batteriet og batteriladeren er rene før batteriet settes i batteriladeren eller produktet.

Feilsøking

Brukergrensesnitt

Brukergrensesnitt	Mulige feil	Mulig løsning
Rød LED-feil-lampe blinker.	Temperaturavvik.	La produktet kjøle seg ned.
	Rør- eller viftedeksel er fjernet.	Monter røret eller viftedekselet.
	Batterifeil.	Bytt ut batteriet, eller lad batteriet.
	Service er nødvendig.	Snakk med serviceforhandleren din.
Produktet starter ikke.	Smuss på batterikontaktene.	Rengjør med trykkluft eller en myk børste.

Batteri

LED-display	Mulige feil	Mulig løsning
Grønn LED-lampe blinker.	Lav batterispenning.	Lad batteriet.
Feilindikatoren blinker.	Temperaturavvik.	Bruk batteriet i temperaturer mellom -10°C (14°F) og 40°C (104°F).
	For sterk spenning	Kontroller at nettspenningen samsvarer med spenningen for produktet. Se typeskiltet på produktet. Fjern batteriet fra batteriladeren.
LED-feilindikatoren tennes.	For stor forskjell mellom cellene (1 V).	Snakk med serviceforhandleren din.

Batterilader

Tilstand	Mulige feil	Mulig fremgangsmåte
Ladelampen lyser rødt.	Permanent feil med batteriladeren.	Ta kontakt med forhandleren din.
Ladelampen blinker grønt.	Temperaturavvik – Batteriet er for kaldt eller for varmt for bruk eller lading.	La batteriet avkjøles, eller varm det opp. Når batteriet har riktig temperatur, kan det brukes eller lades igjen. Bruk batteriladeren ved omgivelsestemperaturer på mellom 5 °C (41 °F) og 40 °C (104 °F).
Ladelampen blinker rødt.	Defekt batteri	Ta kontakt med forhandleren din.

Transport, oppbevaring og avhending

Transport og oppbevaring

- De medfølgende litiumionbatteriene samsvarer med kravene i loven om farlige varer.
- Følg de spesifikke kravene på emballasje og etiketter for kommersiell transport, inkludert av tredjeparter og fraktleverandører.
- Snakk med en person med spesiell opplæring i farlige materialer før du sender produktet. Følg alle gjeldende nasjonale forskrifter.
- Bruk tape på åpne kontakter når du plasserer batteriet i en pakke. Pakk batteriet stramt for å hindre bevegelse.
- Maskinen skal alltid kjøles ned før den lagres.
- Fjern batteriet ved lagring og transport.
- Oppbevar batteriet og batteriladeren på et sted som er tørt og fri for fukt og frost.
- Batteriet må ikke oppbevares på steder der det kan forekomme statisk elektrisitet. Ikke oppbevar batteriet i en metallkasse.
- Oppbevar batteriet i temperaturer mellom 5°C (41°F) og 25°C (77°F) og unna direkte sollys.
- Oppbevar batteriladeren i temperaturer mellom 5 °C (41 °F) og 45°C (113°F) og unna direkte sollys.
- Bruk batteriladeren bare i temperaturer mellom 5°C (41 °F) og 40°C (104°F).
- Lad opp batteriet til 30–50 % før du setter det til oppbevaring i lange perioder.
- Oppbevar batteriladeren på et sted som er lukket og tørt.
- Hold batteriet og batteriladeren separert under oppbevaring. Ikke la barn eller andre uautoriserte personer røre utstyret. Oppbevar utstyret i et område som kan låses.
- Rengjør produktet og utfør en fullstendig service før du setter det til oppbevaring i lang tid.

- Bruk transportbeskyttelsen på produktet for å unngå personskader eller skade på produktet under transport og oppbevaring.
- Fest produktet på en sikker måte under transport.

Snakk med lokale myndigheter, det lokale renovasjonsvesenet eller forhandleren hvis du ønsker mer informasjon.



Merk: Symbolet vises på produktet eller produktets emballasje.

Kassering av batteri, batterilader og produktet

Symbolet nedenfor indikerer at produktet er ikke husholdningsavfall. Resirkuler det på et gjenvinningsanlegg for elektrisk og elektronisk utstyr. Dette bidrar til å forhindre miljøskader og personskader.

Tekniske data

Tekniske data

	120iBV
Motor	
Motorstype	BLDC (børsteløs) 36 V
Vekt	
Vekt uten batteri, kg	4,6
Støyutslipp ⁴⁰	
Lydeffektnivå, målt dB (A)	97
Lydeffektnivå, garantert L _{WA} dB (A)	100
Lydnivåer ⁴¹	
Ekvivalent lydtrykksnivå ved brukerens øre, målt i henhold til EN ISO 11203 og ISO 22868, dB(A):	84
Vibrasjonsnivåer ⁴²	
Vibrasjonsnivåer i fremre/bakre håndtak, målt i henhold til ISO 22867, m/s ²	1,4/1,7
Vifteeffekt	
Luftmengde i normal modus med standardmunnstykke, m ³ /min	6,7
Maksimal lufthastighet i normal modus med standardmunnstykke, m/s / mph	50/111

Støy- og vibrasjonsdata fastslås på grunnlag av maksimalt turtall.

Godkjente batterier

Bruk bare Husqvarna originale 40-B-batterier til dette produktet.

⁴⁰ Utslipp av støy til omgivelsene målt som lydeffekt (L_{WA}) samsvarer med EF-direktiv 2000/14/EF. Rapporterte lydeffektnivåer for maskinen er målt med det originale skjæreutstyret som gir høyest nivå. Forskjellen mellom garantert og målt lydeffekt er at garantert lydeffekt også omfatter spredning i måleresultatet og variasjoner mellom forskjellige maskiner av samme modell, i henhold til direktivet 2000/14/EF.

⁴¹ Rapporterte data for ekvivalent lydtrykksnivå for maskinen har en typisk statistisk spredning (standardavvik) på 3 dB(A).

⁴² Rapporterte data for vibrasjonsnivå har en typisk statistisk spredning (standardavvik) på 1,5 m/s².

Godkjente batterier

Batteri	40-B140
Type	Litium-ion
Batterikapasitet, Ah	4
Nominell spenning, V	36
Vekt, kg	1,25

Godkjente batteriladere

Batterilader	40-C80
Nettspenning, V	100–240
Frekvens, Hz	50–60
Effekt, W	72
Utgangsspenning, V DC Ampere, A	43/1,6

Samsvarserklæring

EU-samsvarserklæring

Vi, **Husqvarna AB**, SE-561 82 Huskvarna, SVERIGE,
tif.: +46 36 146500, erklærer på eget ansvar at
produktet:

Beskrivelse	Håndholdt hageblåser/-løvsuger
Merke	Husqvarna
Type/modell	120iBV
ID	Serienumre datert 2022 og senere

fullstendig overholder følgende EU-direktiver og
-forskrifter:

Regulering	Beskrivelse
2006/42/EF	«angående maskiner»
2014/30/EU	«om elektromagnetisk kompatibilitet»
2011/65/EU	«om begrensning av bruk av visse farlige stoffer i elektrisk og elektronisk utstyr»
2000/14/EF	«angående utslipp av støy til omgivelsene»

og at følgende standarder eller
tekniske spesifikasjoner er anvendt: EN
60335-1:2012+A11+A13+A1+A14+A2+A15, EN
50636-2-100:2014, EN IEC 63000:2018, EN ISO
12100:2010, EN IEC 55014-1:2021; EN IEC
55014-2:2021

I samsvar med direktiv 2000/14/EF tillegg V, se
Tekniske data på side 254 for de oppgitte lydverdiene.

Huskvarna, 2023-01-16



Claes Losdal, FoU-leder, Husqvarna AB

Ansvarlig for teknisk dokumentasjon

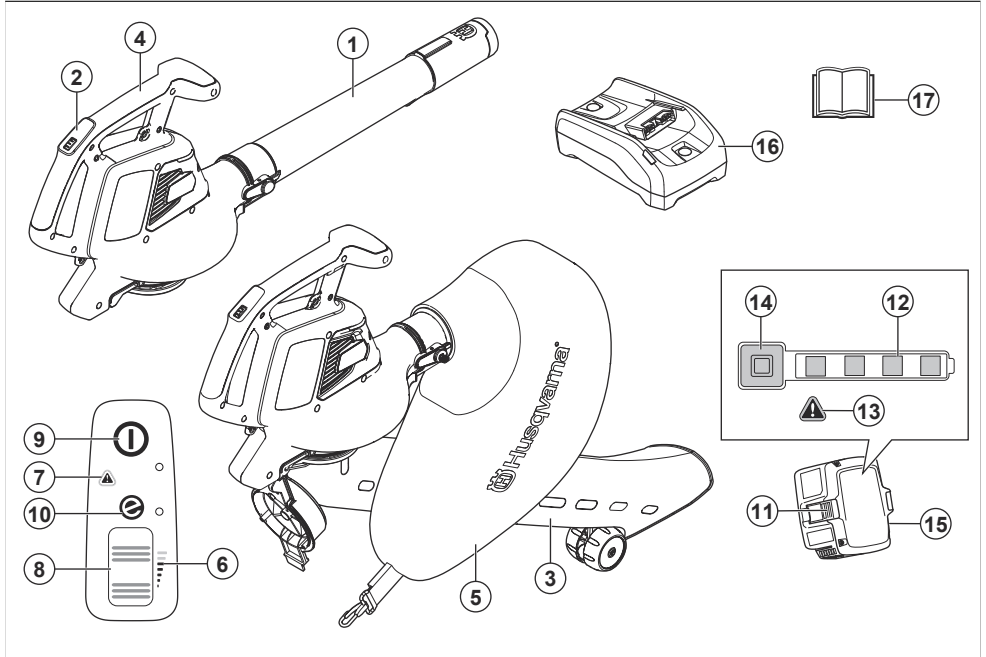


Sisälllys

Johdanto.....	257	Vianmäärittys.....	269
Turvallisuus.....	259	Kuljettaminen, säilyttäminen ja hävittäminen.....	270
Asentaminen.....	263	Tekniset tiedot.....	271
Käyttö.....	265	Vaatimustenmukaisuusvakuutus.....	273
Huolto.....	268		

Johdanto

Tuotteen kuvaus



1. Puhallusputki
2. Näppäimistö
3. Imuputki
4. Kahva
5. Keruusäiliö
6. Ilmavirtauksen merkkivalo
7. Varoitusmerkkivalo (vian merkkivalo)
8. Tehon rullasäädin
9. Käynnistys-/pysäytyspainike
10. SavE-merkkivalo
11. Akun vapautuspainike
12. Akun tila
13. Varoitusmerkkivalo (vian merkkivalo)

14. Virran ja varoitusten merkkivalo
15. Akku, sisältyy vain Husqvarna 120iBV -puhallinsarjaan
16. Akkulaturi, sisältyy vain Husqvarna 120iBV -puhallinsarjaan
17. Käyttöohje

Tuotekuvaus

Husqvarna 120iBV on puutarhapuhallin/imuri, jossa on sähkömoottori.

Kehitämme jatkuvasti tuotteitamme ja pidätämme siksi itsellämme oikeuden muuttaa tuotteiden muotoa ja ulkonäköä ilman ennakoilmoitusta.

Käyttötarkoitus

Puhallustila: Puhallin on suunniteltu puhaltamaan roskat tai ruoholeikkeet pois esimerkiksi kulku- ja ajoreiteiltä tai sisäpihoilta. Sen avulla voi myös puhaltaa leikatun ruohon, korret tai lehdet pinoiksi sekä poistaa roskia nurkista, nivelistä tai laattojen tai tiilien välisistä raoista.

Imutila: Imuri on suunniteltu kuivan materiaalin imurointiin. Laitteella voi imuroida lehtiä, ruohoa, pieniä oksia ja paperinpaloja.

Tuotteen symbolit



VAROITUS: Tämä laite voi olla vaarallinen ja aiheuttaa käyttäjälle tai sivullisille vakavia vahinkoja tai kuoleman. Ole varovainen ja käytä tuotetta oikein.



Lue käyttöohje huolellisesti ja varmista, että ymmärrät sen sisällön, ennen kuin alat käyttää tätä tuotetta.



Käytä hyväksytyjä suojalaseja.



Nimellisjännite, V



Tasavirta.



Melupäästöt ympäristöön -tarra EU:n ja Yhdistyneen kuningaskunnan direktiivien ja säädösten mukaisesti sekä Uuden Etelä-Walesin "Protection of the Environment Operations (Noise Control) Regulation 2017" -asetuksen mukaisesti. Tuotteen taattu äänentehotaso on määritelty kohdassa *Tekniset tiedot sivulla 271* ja arvokilvessä.



Irrota akku ennen huoltotoimenpiteitä.



Laitetta tai sen pakkausta ei saa hävittää kotitalousjätteen mukana. Vie se asianmukaiseen sähkö- ja elektroniikkalaitteiden keräyspisteeseen.



Laite täyttää voimassa olevien EY-direktiivien vaatimukset.



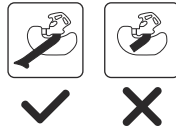
Tämä tuote täyttää sovellettavissa olevien UK-säädösten vaatimukset.



Ei saa altistaa sateelle.



Tuotetta sammuttaessa on odotettava, kunnes roottorin terät pysähtyvät.



Käytä tuotetta imutilassa vain, kun putki on koottu kokonaan.



Lehtipuhaltimen käyttäjän on varmistettava, että ihmiset ja eläimet ovat vähintään 15 metrin päässä koneesta työn aikana. Kun useita laitteita käytetään samassa paikassa, on käyttäjien välisen turvavälisyyden oltava vähintään 15 metriä. Lehtipuhallin voi singota rajulla voimalla esineitä, ja ne voivat kimmota takaisin. Se voi johtaa vakaviin silmävammoihin, mikäli suositeltuja suojaimia ei käytetä.



yyyy wwx0000

Sarjanumero näkyy tyyppikilvessä. **yyyy** on valmistusvuosi ja **ww** valmistusviikko.

Huomautus: Muita lisälaitteen tunnuksia/tarroja tarvitaan tietyillä markkina-alueilla ilmaisemaan erityisiä sertifiointivaatimuksia.

Akun ja/tai akkulaturin symbolit



Vie tämä laite asianmukaiseen sähkö- ja elektroniikkalaitteiden keräyspisteeseen. (Koskee ainoastaan Eurooppaa)



Vikaturvallinen muuntaja.



Käytä ja säilytä akkulatoria ainoastaan sisätiloissa.



Kaksoiseristys.

Valmistaja

Husqvarna AB

Drottninggatan 2, SE-561 82 Huskvarna

Tuotteen vaurioituminen

Emme ole vastuussa tuotteen vaurioitumisesta, jos:

- tuote on korjattu virheellisesti
- tuotteen korjaamiseen on käytetty muita kuin valmistajan omia tai sen hyväksymiä osia
- tuotteessa on muu kuin valmistajan oma tai sen hyväksymä lisävaruste
- tuotetta ei ole korjattu valtuutetussa huoltopisteessä tai hyväksytyllä asiantuntijalla.

Turvallisuus

Turvallisuusmääritelmät

Varoituksia, huomioita ja huomautuksia käytetään, kun jotakin käyttöohjeen osaa halutaan erityisesti korostaa.



VAROITUS: Tätä käytetään, jos käyttöohjeen noudattamatta jättämisestä voi seurata käyttäjän tai sivullisen vamma tai kuolema.



HUOMAUTUS: Tätä käytetään, jos käyttöohjeen noudattamatta jättämisestä voi seurata tuotteen ja/tai lisälaitteen, muiden materiaalien tai ympäristön vaurioituminen.

Huomautus: Tätä käytetään tietyissä tilanteissa tarvittavien lisätietojen antamiseen.

Yleiset turvallisuusohjeet



VAROITUS: Lue seuraavat varoitukset ennen tuotteen käyttöä.

- Lue ohjeet huolellisesti, jotta tunnet ohjaimet ja osaat käyttää konetta asianmukaisesti. Tuote voi huolimattomasti tai virheellisesti käytettynä olla vaarallinen työväline, joka saattaa aiheuttaa vakavan tai jopa hengenvaarallisen tapaturman.
- Tuotteen rakennetta ei missään tapauksessa saa muuttaa ilman valmistajan lupaa. Älä koskaan käytä tuotetta, jota on muutettu niin, ettei sen rakenne enää ole alkuperäinen. Käytä aina alkuperäisiä lisävarusteita. Hyväksymättömien muutosten ja/tai lisävarusteiden käyttö voi aiheuttaa käyttäjälle tai muille vakavia vammoja tai kuoleman. Takuu ei välttämättä kata hyväksymättömien lisävarusteiden tai varaosien käytöstä aiheutuneita vaurioita tai vastuuta.
- Tuote muodostaa käytön aikana sähkömagneettisen kentän. Kenttä saattaa joissakin olosuhteissa häiritä aktiivisten tai passiivisten lääketieteellisten

implanttien toimintaa. Vakavien tai hengenvaarallisten tapaturmien ehkäisemiseksi kehotamme lääketieteellisiä implantteja käyttäviä henkilöitä neuvottelemaan lääkäriin ja lääketieteellisen implantin valmistajan kanssa ennen laitteen käyttämistä.

- Irrota akku tuotteesta lataamisen ajaksi.

Yleiset sähkötyökaluja koskevat varoitukset

Tarkastus ennen käynnistystä

- Tarkasta työskentelyalue. Poista kaikki irralliset esineet, kuten kivet, lasinsirpaleet, naulat, rautalangat, narut ja vastaavat, jotka voivat sinkoutua liikkeelle.
- Irrota akku aina käytön jälkeen, jotta kone ei käynnisty vahingossa. Irrota akku laitteesta aina ennen koneen huoltotoimia.
- Tarkista kone kulumisen ja vaurioiden varalta aina ennen käyttöä ja minkä tahansa koneeseen kohdistuneen iskun jälkeen. Korjaa tarvittaessa.
- Käytä vain alkuperäisiä varaosia.
- Koneen käyttäjän on huolehdittava siitä, etteivät ihmiset tai eläimet tule 15 m lähemmäksi työn aikana. Kun useampia käyttäjiä työskentelee samalla työalueella, on turvaetäisyyden oltava vähintään 15 m.
- Tarkista kone kokonaisuudessaan ennen käyttöä, katso huoltokaavio.
- Käyttöä säädellään mahdollisesti kansallisilla tai paikallisilla määräyksillä. Noudata ilmoitettuja määräyksiä.

Henkilökohtainen turvallisuus

- **Pysy valppaana, katso mitä teet ja käytä tervettä järkeä käyttäessäsi sähkötyökalua. Älä käytä sähkötyökalua väsyneenä tai alkoholin, huumeiden tai lääkityksen vaikutuksen alaisena.** Hetken tarkkaamattomuus sähkötyökalun käytön aikana voi johtaa vakavaan henkilövahinkoon.
- Pidä sivulliset loitolla.

- Laitetta eivät saa käyttää henkilöt (lapset mukaan lukien), joiden fyysinen, sensorinen tai henkinen toimintakyky on alentunut. Laitetta eivät myöskään saa käyttää henkilöt, joilla ei ole riittävää kokemusta tai taitoja laitteen käyttöön, elleivät he ole saaneet ohjausta tai ohjeita heidän turvallisuudestaan vastaavalta henkilöltä. Lapsia on valvottava, jotta voidaan varmistaa, etteivät he leiki laitteella.
- Älä anna lasten tai näitä ohjeita tuntemattomien henkilöiden käyttää laitetta. Paikalliset määräykset saattavat rajoittaa käyttäjän ikää.
- Pidä asiaankuulumattomat etäällä. Lasten, eläinten, sivullisten ja avustajien pysyttävä 15 metrin (50 jalkaa) turvaetäisyydellä. Sammuta laite välittömästi, jos joku tulee lähemmäs.
- Säilytä laite lukitussa tilassa niin, että se on lasten ja asiaankuulumattomien henkilöiden ulottumattomissa.
- Älä käytä konetta päällystetyllä pinnalla tai sorapinnalla, josta sinkoutuvat kappaleet voivat aiheuttaa vammoja.
- Käytä aina koneen käytön aikana tukevia kenkiä ja pitkiä housuja. Älä käytä konetta avolainoi tai avoimet sandaalit jalassa. Vältä käyttämästä löysiä vaatteita tai vaatteita, joissa on roikkuvia naruja.
- Älä käytä löyisiä vaatteita tai koruja, jotka saattavat joutua ilmanottoaukkoon. Pidä pitkät hiukset etäällä ilmanottoaukoista.
- Älä koskaan käytä tuotetta, jos olet väsynyt, nauttinut alkoholia tai käytät lääkkeitä, jotka voivat vaikuttaa näkökykyysi, harkintakykyysi tai kehosi hallintaan.
- Käytä henkilökohtaisia suojavarusteita. Katso otsikon "Henkilökohtainen suojavarustus" alla annetut ohjeet.
- Irrota akku aina ennen kuin luovutat laitteen toisen käyttäjän käyttöön.
- Muista, että käyttäjänä olet vastuussa siitä, ettet altista ihmisiä tai heidän omaisuuttaan vahingoille tai vaaroille.

Sähkökalujen käyttö ja huolto

- Älä koskaan käytä konetta, jota on muutettu niin, ettei sen rakenne enää ole alkuperäinen. Älä koskaan käytä konetta räjähtävien tai helposti syttyvien materiaalien läheisyydessä.
- Älä koskaan käytä viallista konetta. Noudata tässä käyttöohjeessa annettuja turvallisuustarkastuksia, kunnossapitoa ja huoltoa koskevia ohjeita. Tietyt kunnossapito- ja huoltotyöt on annettava koulutettujen ja pätevien asiantuntijoiden tehtäviksi. Lue kohdassa Kunnossapito annetut ohjeet.
- Käytä vain alkuperäisiä varaosia.
- Varmista aina, että ilmanottoaukot ovat puhtaat, eikä niissä ole likaa.
- Kaikki kannet, suojukset ja kahvat on kiinnitettävä ennen käynnistystä.
- Käytä konetta ainoastaan päivänvalossa tai muissa hyvin valaistuissa oloissa.

- Älä koskaan käytä konetta huonoissa sääolosuhteissa, kuten sumuisella tai sateisella säällä, kosteissa tai märissä paikoissa, kovalla tuulella, erittäin kylmällä säällä tai ukkosella. Erittäin kuuma sää voi aiheuttaa koneen ylikuumentumisen. Käyttämien huonoissa säässä on väsyttävää ja voi aiheuttaa vaaratekijöitä, esimerkiksi tehdä alustasta liukkaana.
- Jos kone alkaa täristä epätavallisella tavalla, pysäytä kone ja irrota akku.
- Liiku kävelyvauhtia, ei juosten.

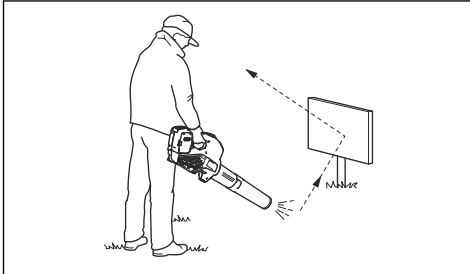
Turvallisuusohjeet käyttöä varten



VAROITUS: Lue seuraavat varoitukset ennen tuotteen käyttöä.

- Jos olet epävarma mistään laitteen käyttöön liittyvästä asiasta, kysy neuvoa asiantuntijalta. Kääny jälleennmyyjän tai huoltoliikkeen puoleen. Älä tee mitään sellaista, mihin et katso taitojesi riittävän.
- Varmista, että voit siirtyä ja seisoa turvallisesti. Tarkista, onko ympäristössä esteitä (juuria, kiviä, oksia, kuoppia, oja tai vastaavia), joista voi olla haittaa siirtyessäsi nopeasti. Ole erittäin varovainen työskennellessäsi viettävässä maastossa.
- Seiso aina tasapainoisessa ja tukevassa asennossa. Älä kurota.
- Tarkkaile aina varoitussignaaleja ja -huutoja kuulonsuojaimia käyttäessäsi. Riisu kuulonsuojaimet välittömästi laitteen pysäytyksen jälkeen.
- Älä käytä laitetta avoimien ikkunoiden lähellä.
- Ota huomioon alueella asuvat henkilöt välttämällä tuotteen käyttöä sopimattomina aikoina, esimerkiksi myöhään illalla tai aikaisin aamulla. Noudata paikallisia määräyksiä ja sääädöksiä.
- Käytä tuotetta mahdollisimman pienellä ilmavirralla. Täytä ilmavirtaa tarvittaen vain harvoin. Monet työvaiheet voidaan tehdä keskitason ilmavirralla. Pienempi ilmavirtaus vähentää melua ja pölyä. Kerättävät/siirrettävät roskat on myös helpompi pitää hallinnassa.
- Kun käytät laitetta pölyisissä olosuhteissa, kostuta pintaa hieman.
- Irrota kiinni tarttuneet roskat maasta haravalla tai luudalla.
- Pidä puhallusputken suu mahdollisimman lähellä maata.
- Tarkkaile ympäristöä. Suuntaa tuote pois päin ihmisistä, eläimistä, leikkipaikoista ja autoista jne.
- Minimoi puhallusaika kustuttamalla pölyiset alueet kevyesti tai käyttämällä ruiskulaitetta.
- Tarkkaile tuulensuuntaa. Työskentele myötätuuleen työn helpottamiseksi.
- Pysäytä tuote ja poista akku, jos tuotteesta ilmenee epätavallista käyrinää.
- Suurten kasteen siirtäminen puhaltimen avulla vie aikaa ja aiheuttaa tarpeetonta melua.

- Siivoa jälkesi. Varmista, ettei ole puhaltanut roskaa kenenkään tontille.
- Älä juokse tuotteen kanssa.
- Voimakas ilmavirta pystyy siirtämään esineitä niin suurella nopeudella, että ne voivat kimmota takaisin ja aiheuttaa vakavia silmävammoja.



- Älä suuntaa ilmavirtausta ihmisiä tai eläimiä kohti.
- Pysäytä moottori ennen lisävarusteiden tai muiden osien asennusta tai irrottamista.
- Pidä kaikki kehon osat poissa kuumilta pinoilta.
- Älä koskaan laske käynnissä olevaa laitetta maahan, jos et pysty valvomaan sitä koko ajan.
- Sammuta tuote ja irrota akku. Varmista, että kaikki liikkuvat osat ovat pysähtyneet kokonaan
 - aina, kun poistut koneen luota
 - ennen kuin selvität tukoksia tai puhdistat tukkeutunutta kourua
 - ennen laitteen tarkastamista, puhdistamista tai muita toimenpiteitä.
- Sammuta virtalähde välittömästi ja anna koneen pysähtyä, jos leikkuumeکانismi osuu esineisiin tai jos koneesta alkaa kuulua epätavallisia ääniä tai kone alkaa tärähtää. Irrota koneen akku ja suorita seuraavat toimet ennen koneen uudelleenkäynnistämistä ja käyttämistä:
 - tutki kone vaurioiden varalta
 - vaihda tai korjaa vaurioituneet osat
 - tarkista, onko löystyneitä osia, ja kiristä tarvittaessa
- Jos kone tukkeutuu, katkaise virtalähteen virta ja irrota koneen akku ennen roskien poistamista.
- Älä kuljeta tätä konetta, kun virtalähde on käynnissä.
- Älä kallista konetta, kun virtalähde on käynnissä.
- Puhallinta ei saa käyttää tikkailla tai telineillä seisten.



- Älä käytä laitetta niin, ettei sinulla onnettomuustapauksessa ole mahdollisuutta kutsua apua.
- Varo sinkoutuvia esineitä. Kivet, roskat yms. saattavat sinkoutua silmiin ja aiheuttaa sokeutumisen tai vakavia vahinkoja.
- Käytä vikavirtasuojaa, niin laitteen lataaminen on turvallisempaa. Vikavirtasuojaa suojaa käyttäjää mahdollisten sähkövikojen varalta.
- Tuote on saanut kiitosta matalasta tärinätasostaan. Liiallinen altistuminen tärinöille saattaa aiheuttaa verisuoni- tai hermovaurioita verenkiertohäiriöistä kärsiville henkilöille. Hakeudu lääkäriin, jos havaitset oireita, jotka voivat liittyä liialliseen tärinöille altistumiseen. Esimerkkejä tällaisista oireista ovat puutumiset, tunnottomuus, kutinat, pistelyt, kipu, voimattomuus tai heikkous, ihon värin tai pinnan muutokset. Näitä oireita esiintyy tavallisesti sormissa, käsissä tai ranteissa.
- Käytä tuotetta vain sille tarkoitettuihin töihin.
- On mahdotonta kuvata kaikkia mahdollisia tilanteita, joita laitteen käytössä voi ilmetä. Ole aina varovainen ja käytä tervettä järkeä. Vältä tilanteita, mihin et katso taitosi riittävän. Mikäli olet vielä näiden ohjeiden lukemisen jälkeen epävarma menettelytavoista, kysy neuvoa asiantuntijalta ennen jatkamista.

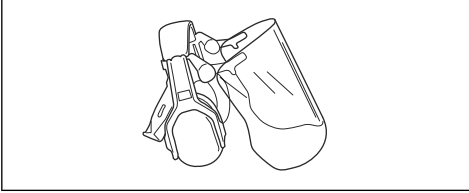
Henkilönsuojaimet



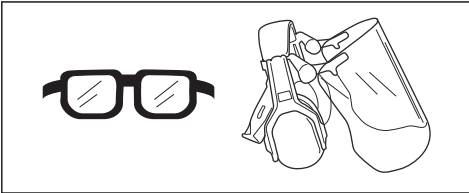
VAROITUS: Lue seuraavat varoitukset ennen tuotteen käyttöä.

- Käytä aina hyväksytyjä henkilönsuojaimia, kun käytät laitetta. Henkilönsuojaimet eivät poista tapaturmien vaaraa, mutta ne lieventävät vammoja onnettomuustilanteessa. Anna jälleenmyyjän auttaa oikeiden varusteiden valinnassa.
- Pitkäaikainen altistuminen melulle saattaa aiheuttaa kuulovammoja. Akkukäyttöiset laitteet ovat tavallisesti suhteellisen hiljaisia, mutta melutasot ja pitkät käyttöjaksot voivat aiheuttaa vaurioita. Suosittelee kuulonsuojaimien käyttämistä, jos laitetta käytetään pitkään. Henkilöiden, jotka käyttävät laitetta jatkuvasti ja säännöllisesti, on syytä

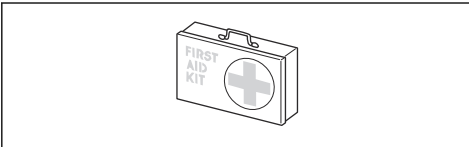
tarkistuttaa kuulonsa säännöllisesti. Kuulonsuojaimet rajoittavat äänien ja varoitusten kuulemistä.



- Käytä hyväksytyjä suojalaseja. Visiiriä käytettäessä on käytettävä myös hyväksytyjä suojalaseja. Hyväksytyillä suojalaseilla tarkoitetaan laseja, jotka täyttävät standardin ANSI Z87.1 (Yhdysvallat) tai EN 166 (EU-maat) vaatimukset.



- Käytä vahvasta materiaalista valmistettuja vaatteita. Käytä aina vahvakankaisia pitkiä housuja ja pitkähihaista takkia. Vältä liian löysiä vaatteita, jotka tarttuvat helposti risuihin ja oksiiin. Älä pidä koruja, shortseja tai sandaaleja. Älä myöskään kulje paljain jaloin. Sido hiukset turvallisesti olkapäiden yläpuolelle.
- Pidä ensiaputarvikkeet helposti saatavilla.



- Hengityksensuojainta on käytettävä, jos on olemassa pölyvaara.

Tuotteen turvalaitteet



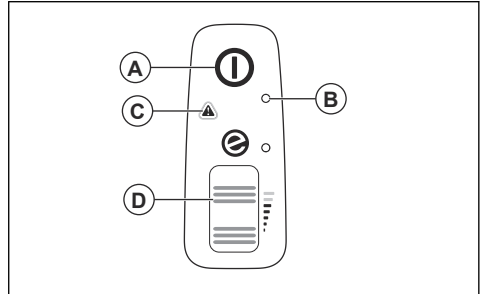
VAROITUS: Lue seuraavat varoitukset ennen tuotteen käyttöä.

- Tässä osassa kerrotaan laitteen turvaominaisuuksista ja niiden toiminnasta sekä annetaan tarkastus- ja kunnossapito-ohjeet, joilla varmistetaan laitteen toimivuus. Lue kohdasta *Tuotteen kuvaus sivulla 257* tiedot siitä, missä osat sijaitsevat laitteessa.
- Laitteen käyttöikä voi lyhentyä ja onnettomuusvaara kasvaa, jos laitteen kunnossapitoa ei suoriteta oikein ja jos huoltoa ja/tai korjauksia ei tehdä ammattitaitoisesti. Saat lisätietoja lähimmästä huoltoliikkeestä.

- Älä koskaan käytä laitetta, jos sen turvalaitteet ovat viallisia. Laitteen turvalaitteet on tarkastettava ja pidettävä kunnossa tässä osassa esitetyllä tavalla. Jos laitteessasi ilmenee tarkastettaessa puutteita, se on toimitettava huoltoliikkeeseen korjattavaksi.
- Kaikki laitteen huolto- ja korjaustyöt vaativat erikoiskoulutusta. Tämä koskee erityisesti laitteen turvavarustusta. Jos laitteessa havaitaan puutteita alla luetelluissa tarkastuksissa, ota yhteyttä huoltoliikkeeseen. Hankkimalla laitteen meiltä varmistat, että saat sille ammattimaisen korjauksen ja huollon. Jos ostat laitteen muusta kuin huollot suorittavasta ammattiliikkeestä, pyydä myyjää neuvomaan lähin huoltoliike.

Näppäimistön tarkistaminen

1. Paina käynnistys-/pysäytyspainiketta (A) pitkään.



- a) Tuote on käynnissä, kun merkkivalo (B) syttyy.
 - b) Tuote ei ole käynnissä, kun merkkivalo (B) ei pala.
2. Katso *Käyttöliittymä sivulla 269* ohjeita, jos varoitusmerkkivalo (C) palaa tai vilkkuu:
 3. Varmista, että tehon rullasäädin (D) liikkuu vapaasti painamalla sitä ja vapauttamalla se.

Akkuturvallisuus



VAROITUS: Lue seuraavat varoitukset ennen tuotteen käyttöä.

- Käytä vain tuotteellesi suositeltuja 40-B-sarjan akkuja. Katso *Hyväksytyt akut sivulla 271*. Akkujen ohjelmisto on suojattu.
- Käytä 40-B-akkuja vain kyseisten Husqvarna-tuotteiden virtalähteenä. Tapaturmien välttämiseksi akkuja ei saa käyttää muiden laitteiden virtalähteenä.
- Sähköiskun vaara. Älä koske akun napoihin avaimella, ruuvilla tai muilla metalliesineillä. Tämä voi aiheuttaa akun oikosulun.
- Älä käytä akkuja, joita ei voi ladata.
- Älä aseta esineitä akun ilma-aukkoihin.
- Pidä akku suojassa auringonvalolta, kuumuudelta ja avotulelta. Akku voi aiheuttaa palo- ja/tai syöpymisvammoja.
- Suojaa akku sateelta ja kosteilta olosuhteilta.

- Älä altista akkua mikroaalloille ja korkealle paineelle.
- Älä yritä purkaa tai rikkoa akkua.
- Käytä akkua lämpötilan ollessa välillä -10 °C (14 °F) - 40 °C (104 °F).
- Älä pese akkua tai akkulaturia vedellä. Katso *Laitteen, akun ja akkulaturin puhdistaminen sivulla 269.*
- Älä käytä viallista tai vaurioitunutta akkua.
- Säilytä akkuja varastossa kaukana metalliesineistä kuten nauloista, ruuveista ja koruista.
- Pidä akku poissa lasten ulottuvilta.
- Käytä akkulaturia vain lämpötilan ollessa välillä 5 °C (41 °F) - 40 °C (104 °F). Käytä laturia kuivassa ja pölyttömässä ympäristössä, jossa on hyvä ilmanvaihto.
- Älä aseta esineitä akkulaturin jäähdytysaukkoihin.
- Älä liitä akkulaturin liittimiä metalliesineisiin, sillä tämä voi aiheuttaa akkulaturin oikosulun.
- Käytä hyväksytyitä ja ehjiä pistorasioita. Varmista, että akkulaturin johto ei ole vahingoittunut. Jos käytät jatkojohtoja, varmista, että ne eivät ole vahingoittuneet.

Akkulaturin turvallisuus



VAROITUS: Lue seuraavat varoitukset ennen tuotteen käyttöä.

- On olemassa sähköiskun tai oikosulun vaara, jos turvaohjeita ei noudateta.
- Käytä vain tuotteen mukana toimitettua akkulaturia. Käytä vain 40-C80-latureita Husqvarna 40-B140 -vara-akkujen lataamiseen. Katso *Hyväksytyt akkulaturit sivulla 272 ja Hyväksytyt akut sivulla 272.*
- Älä yritä purkaa akkulaturia.
- Älä käytä viallista tai vaurioitunutta akkulaturia.
- Älä nosta akkulaturia virtajohdosta. Irrota akkulaturin pistorasiasta vetämällä pistoke ulos. Älä vedä virtajohdosta.
- Pidä kaikki kaapelit ja jatkojohdot poissa veden, öljyn ja terävien reunojen ulottuvilta. Varmista, ettei kaapeli jää ovien, aitojen tai muiden vastaavien esineiden väliin.
- Älä käytä akkulaturia herkästi syttyvien materiaalien tai syöpymistä aiheuttavien materiaalien lähellä. Varmista, että akkulaturia ei ole peitetty. Jos havaitset savua tai tulta, irrota akkulaturin pistoke pistorasiasta.
- Lataa akku vain sisätiloissa poissa auringonvalosta ja paikassa, jossa on hyvä ilmanvaihto. Älä lataa akkua ulkona. Älä lataa akkua märissä olosuhteissa.

Kunnossapitoon liittyvät turvallisuusohjeet



VAROITUS: Lue seuraavat varoitukset ja ohjeet ennen laitteen huoltamista.

- Juuri sammutetun koneen on annettava jäähtyä ennen huoltoa, tarkastusta, varastointia tai lisävarusteen vaihtoa. Huolla konetta huolellisesti ja pidä se puhtaana.
- Irrota akku ennen tuotteen huoltoa, muita tarkistuksia tai kokoamista.
- Käyttäjän on huolehdittava ainoastaan tässä käyttöohjekirjassa kuvatuista korjaus- ja huoltotoimista. Anna huoltoliikkeen tehdä suuremmat korjaus- ja huoltotoimet.
- Pidä kaikki mutterit, pultit ja ruuvit kiristettyinä, jotta kone on turvallinen käyttää.
- Vaihda kuluneet tai vaurioituneet osat.
- Tuotteen huoltamatta jättäminen lyhentää sen käyttöikää ja lisää onnettomuusriskiä.
- Laitteen huolto- ja korjaustyöt, erityisesti laitteen turvalaitteille tehtävät työt, vaativat erityiskoulutusta. Jos kaikkia käyttöohjekirjassa lueteltuja tarkastuksia ei huollon jälkeen voida suorittaa hyväksytysti, ota yhteyttä huoltoliikkeeseen. Siellä tuotteesi huolletaan ja korjataan ammattimaisesti.
- Käytä vain alkuperäisiä varaosia.

Asentaminen

Puhallustila



VAROITUS:

Roottorin terän kääntäminen tai tuotteen käynnistyminen vahingossa saattaa aiheuttaa viiltovamman. Irrota akku ja odota roottorin terien pysähtymistä ennen kuin kokoat tuotteen.

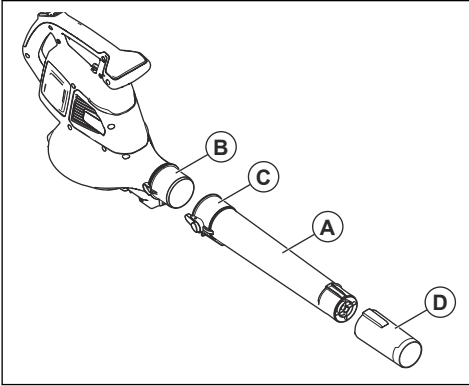


VAROITUS: Kokoa puhallusputki ja kiinnitä ilmanottoaukon suojus ennen tuotteen käyttämistä puhallustilassa.

Puhallusputken kokoaminen

Huomaus: Turvakytkin estää puhaltimen käynnistymisen, jos puhallusputkea ei ole koottu oikein.

1. Työnnä puhallusputki (A) puhaltimen ulostuloon (B). Lukitus (C) kytkeytyy, kun kuulet naksahduksen.

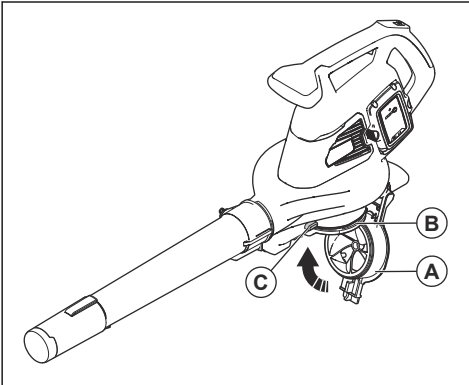


2. Asenna puhaltimen suutin (D) puhallusputkeen. Puhaltimen suutin lukittuu paikalleen, kun kuulet napsahduksen.

Ilmanottoaukon suojuksen asentaminen

Huomautus: Turvakytkin estää puhaltimen käynnistymisen, jos ilmanottoaukon suojusta ei ole asennettu oikein.

- Sulje puhaltimen ilmanottoaukon (B) suojus (A). Lukitus (C) kytkeytyy, kun kuulet naksahduksen.



Imutila



VAROITUS: Kokoa imuputki ja kiinnitä keruusäiliö ennen tuotteen käyttämistä imutilassa.

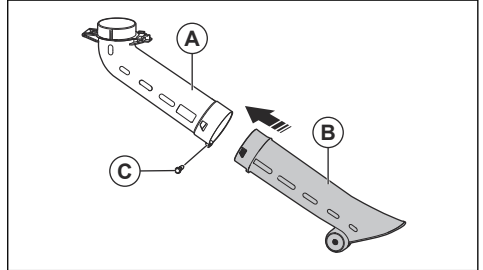
Imuputken kokoaminen



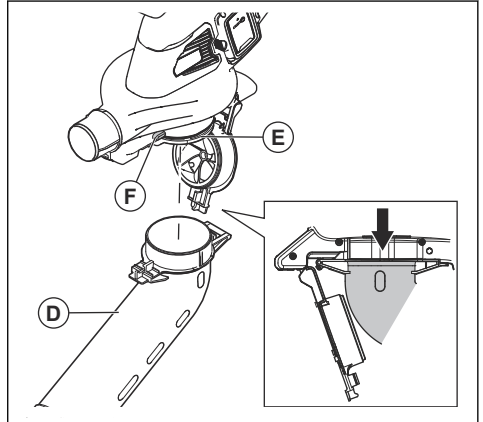
VAROITUS: Asenna sekä ylempät että alemmat imuputket ennen tuotteen käynnistämistä.

Huomautus: Turvakytkin estää imurin käynnistymisen, jos imuputkea ei ole asennettu oikein.

1. Kohdista ylempään imuputken (A) kolot alemmassa imuputkessa (B) oleviin kiinnikkeisiin.



2. Työnnä alemmaa imuputkea ylempään imuputkeen, kunnes kuulet napsahduksen.
3. Kiristä ruuvi (C).
4. Asenna imuputki (D) ilmanottoaukkoon (E). Lukitus (F) kytkeytyy, kun kuulet naksahduksen.



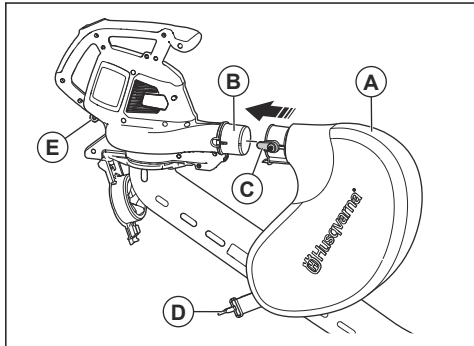
Kerusäiliön asennus

Huomautus: Turvakytkin pysäyttää tuotteen käynnistystoimenpiteet, jos keruusäiliötä ei ole asennettu oikein.

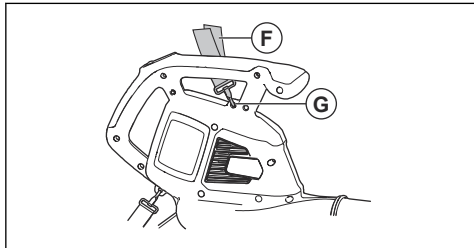


VAROITUS: Sammuta laite ennen säiliön kiinnittämistä tai irrottamista.

1. Irrota puhallusputki, jos se on kiinnitetty tuotteeseen.
2. Työnnä keruusäiliö (A) imurin ulostuloon (B). Lukitus (C) kytkeytyy, kun kuulet naksahduksen.



3. Kiinnitä keruusäiliön hihna (D) kiinnittimeen (E).
4. Kiinnitä olkahihna (F) kiinnittimeen (G).



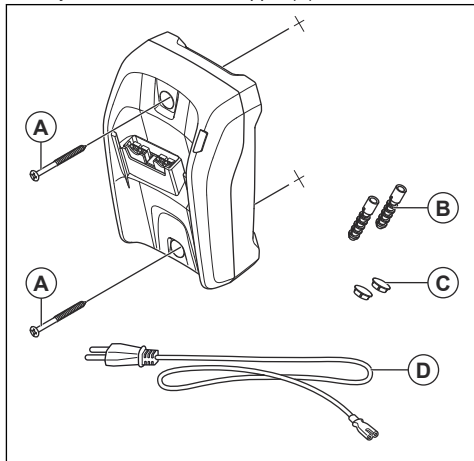
5. Varmista, että keruusäiliö on suljettu kunnolla.

Akkulaturin kiinnitys seinään



HUOMAUTUS: Älä käytä sähkökäyttöistä ruuvinväännintä asentaessasi akkulaturia seinään. Sähkökäyttöinen ruuvinväännin voi vaurioittaa akkulaturia.

1. Asenna akkulaturi seinään kahdella ruuvilla (A). Käytä tarvittaessa ruuvitulppia (B).



2. Asenna ruuvireikien tulpat (2 kpl) (C).
3. Kytke akkulaturin virtajohto (D) akkulaturiin ja pistorasiaan.

Käyttö

Johdanto



VAROITUS: Lue ja sisäistä turvallisuutta käsittelevä luku ennen laitteen käyttöä.

Laitteen toiminnan tarkistaminen

1. Tarkista, onko ilmanottoaukossa likaa tai halkeamia. Puhdista tuote ruohosta ja lehdistä harjalla.
2. Tarkista, että laite toimii oikein.
3. Tarkista, että kaikki mutterit ja ruuvit on kiristetty.

Akku

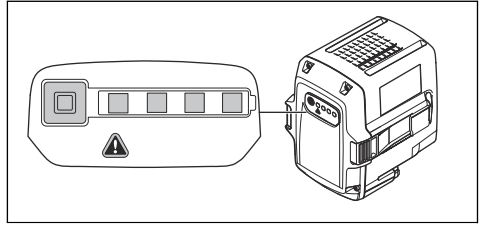


VAROITUS: Lue ja sisäistä turvallisuutta käsittelevä luku ennen akun käyttöä. Lue myös akun ja akkulaturin käyttöohje niin, että ymmärrät sen sisällön.

Säilytä akku ja laturi oikeassa lämpötilassa.

	Ympäristön lämpötila
Akun käyttö	5 °C - 40 °C / 41 °F - 104 °F

	Ympäristön lämpötila
Akun lataaminen	5 °C - 40 °C / 41 °F - 104 °F



Akun tila

Näyttö osoittaa akun varaustason ja mahdolliset akkuun liittyvät ongelmat.

LED-merkkivalo	Akun varaustila
4 merkkivaloa palaa	Akun varaustaso on 76–100 %.
3 merkkivaloa palaa	Akun varaustaso on 51–75 %.
2 merkkivaloa palaa	Akun varaustaso on 26–50 %.
1 merkkivalo palaa	Akun varaustaso on 6–25 %.
1 merkkivalo vilkkuu	Akun varaustaso on 0–5%.

Akun lataaminen

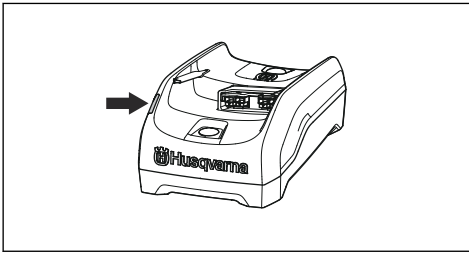
Lataa akku, jos sitä käytetään ensimmäisen kerran. Uuden akun varaus on vain 30 %.



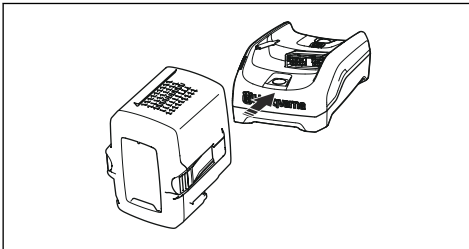
HUOMAUTUS: Liitä laturi pistorasiaan, jonka jännite ja taajuus ovat tyyppikilven mukaisia.

Akku ei lataudu, jos akun lämpötila on yli 50 °C / 122 °F.

1. Kytke virtajohto akkulaturiin.
2. Liitä akkulaturi maadoitettuun pistorasiaan. Latauksen merkkivalo vilkkuu kerran.



3. Kytke akku akkulaturiin. Latauksen merkkivalo syttyy. Lataa akkua enintään 24 tuntia.



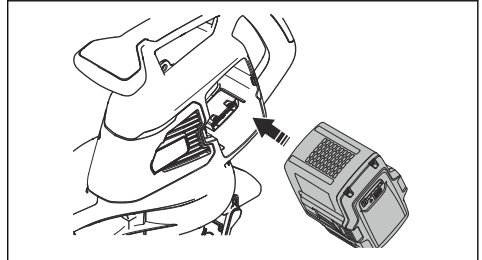
4. Paina akun merkkivalopainiketta. Jos kaikki merkkivalot syttyvät, akku on ladattu täyteen.
5. Irrota laturi pistorasiasta vetämällä sähköpistokkeesta. Älä vedä virtajohdosta.
6. Irrota akku akkulaturista.

Akun kiinnittäminen laitteeseen



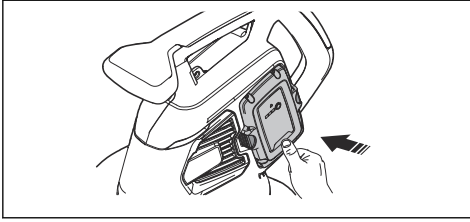
VAROITUS: Käytä laitteessa vain alkuperäisiä Husqvarna-akkuja.

1. Varmista, että akku on täysin ladattu.
2. Aseta akku laitteen akkupidikkeeseen. Jos akku ei liu'u paikalleen vaivatta, sitä ei ole asennettu oikein.



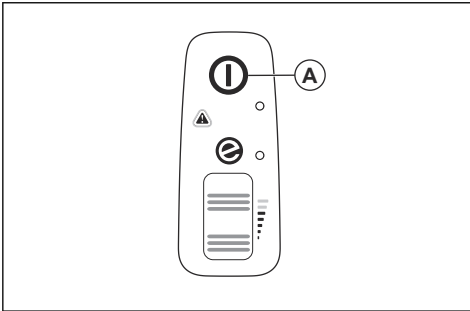
3. Paina akun alaosaa ja työnnä akku mahdollisimman syväälle akkutilaan. Akku lukittuu paikalleen, kun kuulet napsahduksen.

4. Varmista, että salvat napsahtavat oikein paikoilleen.

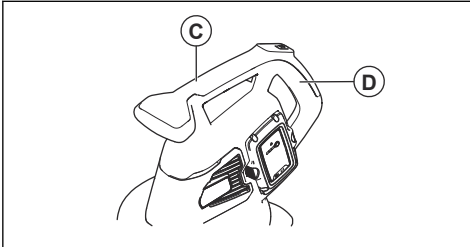


Laitteen käynnistäminen

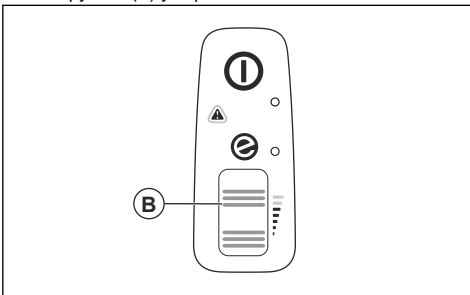
1. Paina käynnistys-/pysäytyspainiketta (A), kunnes vihreä merkkivalo syttyy.



2. Pidä toisella kädellä kiinni lisäkavasta (C) ja toisella pääkavasta (D).

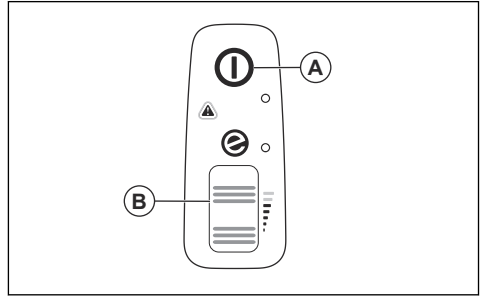


3. Käynnistä puhallus- tai imutila vierittämällä tehopyörää (B) ylöspäin.



Laitteen pysäyttäminen

1. Pysäytä puhallus- tai imutila vierittämällä tehopyörää (B) alaspäin.

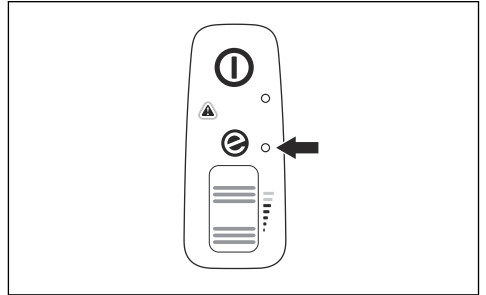


2. Paina käynnistys-/pysäytyspainiketta (A), kunnes vihreä merkkivalo sammuu.

ECO-tila

ECO-tilan käyttö pidentää akun käyttöikää.

- Käynnistä ECO-tila vierittämällä virtapainiketta alaspäin. Merkkivalo syttyy, kun ECO-tila käynnistyy.



- Palaa normaalitilaan vierittämällä tehopyörää ylöspäin. Merkkivalo sammuu, kun normaalitila käynnistetään.

Keruusäiliön tyhjentäminen



VAROITUS:

Terävät esineet voivat aiheuttaa vammoja. Älä laita käsiäsi keruusäiliön sisään, kun tyhjännät sen.

- Sammuta laite.
- Irrota keruusäiliö.
- Käännä keruusäiliö nurinpäin ja poista kerätty aines.
- Pese säiliö vesiletikulla.
- Anna keruusäiliön kuivua.
- Asenna keruusäiliö.

Automaattinen pysäytystoiminto

Laitteessa on automaattinen pysäytystoiminto, joka pysäyttää laitteen, kun sitä ei käytetä. Tuote sammuu minuutin kuluttua.

Huolto

Johdanto



VAROITUS: Lue turvallisuutta käsittelevä luku niin, että ymmärrät sen sisällön, ennen minkäänlaisten huoltotöiden aloittamista.

Huoltokaavio



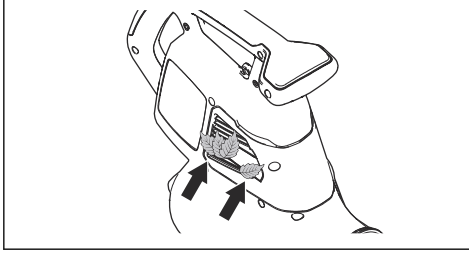
VAROITUS: Irrota akku ennen huoltotoimia.

Alla on luettelo tuotteelle tehtävistä huoltotoimista.

Huolto	Päivittäin	Viikoittain	Kuukausittain
Puhdista laitteen ulkopinta puhtaalla ja kuivalla liinalla. Älä käytä vettä.	X		
Varmista, että kahvat ovat kuivat ja että niissä ei ole öljyä tai vaseliinia.	X		
Varmista, että käynnistys-/pysäytyspainike toimii oikein eikä se ole viallinen.	X		
Varmista, että tehopyörä toimii turvallisuuden kannalta oikein.	X		
Tarkista mutterien ja ruuvien kireys.	X		
Tarkista akku vaurioiden varalta.	X		
	X		
Tarkista, että akun vapautuspainikkeet toimivat asianmukaisesti ja että akku lukittuu tuotteeseen.	X		
Tarkista akkulaturi vaurioiden varalta ja varmista, että se toimii asianmukaisesti.	X		
Tarkista kaikki liittimet, liitännät ja kaapelit vaurioiden varalta ja varmista, että ne ovat puhtaita.		X	
Tarkasta sekä akun ja tuotteen väliset kytkennät että akun ja akkulaturin väliset kytkennät.			X
Puhdista ilmavirta-aukot pehmeällä harjalla (älä käytä ruuvimeisseliä).	X		
Irrota ja puhdista puhallus- tai imuputki.	X		
Tyhjennä ja puhdista keruusäiliö. Katso kohdasta <i>Kerusäiliön tyhjentäminen sivulla 267</i> .	X		
Poista ruoho, lehdet, lika ja muut roskat ilmanottoaukosta ja sen suojuksesta.	X		
Tarkista, ettei puhallinpyörä ole likainen, ja puhdista se tarvittaessa pitkällä, tylpällä esineellä.	X		

Ilmanottoaukon tarkistaminen

1. Tarkista, etteivät tuotteen sivuilla olevat ilmanottoaukot ole tukkeutuneet.



2. Sammuta tuote ja poista tarvittaessa lehdet ja muu ylimääräinen materiaali.



HUOMAUTUS: Tukkeutunut ilmanottoaukko heikentää laitteen puhalluskapasiteettia ja nostaa moottorin työlämpötilaa. Tämä voi aiheuttaa

moottorivian, koska moottori kuumenee liikaa.

Akun ja akkulaturin tarkistaminen

1. Tarkista akku vaurioiden, kuten halkeamien, varalta.
2. Tarkista akkulaturi vaurioiden, kuten halkeamien, varalta.
3. Varmista, että akkulaturin johto ei ole vaurioitunut ja ettei siinä ole murtumia.

Laitteen, akun ja akkulaturin puhdistaminen

1. Puhdista laite käytön jälkeen kuivalla liinalla.
2. Puhdista akku ja akkulaturi kuivalla liinalla. Pidä akun ohjauskiskot puhtaina.
3. Varmista, että akun ja akkulaturin liittimet ovat puhtaat ennen kuin akku asetetaan akkulaturiin tai laitteeseen.

Vianmääritys

Käyttöliittymä

Käyttöliittymä	Mahdolliset viat	Mahdollinen ratkaisu
Punainen vian merkkivalo vilkkuu	Lämpötilavaihtelu.	Anna tuotteen jäähtyä.
	Putki tai puhaltimen suojus on irronnut.	Asenna putki tai puhaltimen suojus.
	Akkuvirhe.	Vaihda tai lataa akku.
	Huolto on tarpeen.	Ota yhteyttä huoltoliikkeeseen.
Tuote ei käynnisty.	Likaa akkuliittimissä.	Puhdista paineilmalla tai pehmeällä harjalla.

Akku

LED-näyttö	Mahdolliset viat	Mahdollinen ratkaisu
Vihreä merkkivalo vilkkuu.	Matala akun jännite.	Lataa akku.

LED-näyttö	Mahdolliset viat	Mahdollinen ratkaisu
Vian merkkivalo vilkkuu.	Lämpötilavaihtelu.	Käytä akkua -10–40 °C:n lämpötilassa.
	Liian korkea jännite.	Varmista, että verkkojännite vastaa tuotteeseen kiinnitetyssä tyyppikilvessä ilmoitettua arvoa. Katso tieto tuotteen tyyppikilvestä. Irrota akku akkulatorista.
Vian merkkivalo syttyy.	Akkukennoston ero liian suuri (1 V).	Ota yhteyttä huoltoiliikkeeseen.

Akkulaturi

Tila	Mahdolliset viat	Mahdollinen toimenpide
Latauksen merkkivalo palaa punaisena.	Pysyvä akkulatorin virhe.	Ota yhteyttä jälleenmyyjään.
Latauksen merkkivalo vilkkuu vihreänä.	Lämpötilavaihtelu, akku on liian kylmä tai kuuma käytettäväksi tai ladattavaksi.	Anna akun jäähtyä tai lämmetä. Kun akun lämpötila on oikea, sitä voi käyttää tai sen voi ladata. Käytä akkulatoria 5–40 °C:n lämpötilassa.
Latauksen merkkivalo vilkkuu punaisena.	Viallinen akku	Ota yhteyttä jälleenmyyjään.

Kuljettaminen, säilyttäminen ja hävittäminen

Kuljetus ja säilytys

- Mukana tulleet litiumioniakut ovat vaarallisten aineiden lainsäädännön määräysten mukaisia.
- Pakkauksessa ja etiketissä olevia kaupallista tavarakuljetusta koskevia erityismääräyksiä on noudatettava, myös kolmansien osapuolten tai huolitsijoiden järjestämässä tavarakuljetuksessa.
- Keskustele erityiskoulutuksen saaneen vaarallisten aineiden asiantuntijan kanssa ennen tuotteen lähettämistä. Noudata kaikkia kansallisia määräyksiä.
- Teippaa paljaat liittimet pakatessasi akun. Aseta akku pakettiin tiukasti niin, ettei se pääse liikkumaan.
- Anna koneen jäähtyä aina ennen varastointia.
- Irrota akku varastoinnin tai kuljetuksen ajaksi.
- Säilytä akkua ja akkulatoria kuivassa paikassa, johon ei pääse kosteutta tai huurretta.
- Älä säilytä akkua paikassa, jossa on staattista sähköä. Älä säilytä akkua metallilaatikossa.
- Säilytä akkua tilassa, jossa lämpötila on 5–25° C ja jossa se ei ole suorassa auringonvalossa.
- Säilytä akkulatoria tilassa, jossa lämpötila on 5–45° C ja jossa se ei ole suorassa auringonvalossa.

- Käytä akkulatoria ainoastaan 5–40 °C:n lämpötilassa.
- Lataa akku ennen pitkäaikaista säilytystä niin, että sen varaustaso on 30–50 prosenttia.
- Säilytä akkua kuivassa ja suljetussa tilassa.
- Pidä akku erillään akkulatorista varastoinnin aikana. Älä anna lasten tai asiaankuulumattomien henkilöiden koskea laitteeseen. Säilytä laitetta lukollisessa tilassa.
- Puhdista ja huolla laite huolellisesti ennen pitkäaikaista säilytystä.
- Käytä kuljetussuojusta kuljetuksen ja varastoinnin aikana vaurioiden ja vammojen välttämiseksi.
- Kiinnitä laite hyvin kuljetuksen ajaksi.

Akun, akkulatorin ja tuotteen hävittäminen

Alla oleva symboli kertoo, että tuotetta ei saa hävittää kotitalousjätteen mukana. Vie se asianmukaiseen

sähkö- ja elektroniikkalaitteiden keräyspisteeseen. Tämä auttaa estämään sekä ympäristö- että henkilövahinkoja.

Saat lisätietoja paikallisviranomaisilta, jätehuollolta tai jälleenmyyjältäsi.



Huomaus: Symboli on joko tuotteessa tai sen pakkauksessa.

Tekniset tiedot

Tekniset tiedot

	120iBV
Moottori	
Moottorityyppi	BLDC (harjaton) 36 V
Paino	
Paino ilman akkua, kg	4,6
Melupäästöt ⁴³	
Äänentehotaso, mitattu dB(A)	97
Äänentehotaso, taattu L _{WA} dB(A)	100
Äänitasot ⁴⁴	
Ekvivalentti äänenpainetaso käyttäjän korvan tasalla mitattuna EN/ISO 11203- ja ISO 22868 -standardien mukaan, dB(A):	84
Tärinätasot ⁴⁵	
Etu-/takakahvojen tärinätasot standardin ISO 22867 mukaan mitattuna, m/s ²	1,4/1,7
Puhallusteho	
Normaalitilan ilmavirtaus vakiosuuttimella, m ³ /min	6,7
Ilman enimmäisnopeus normaalitilassa vakiosuuttimella, m/s	50/111

Ääni- ja tärinätiedot määritetään nimellisen enimmäisnopeuden perusteella.

Hyväksytyt akut

Käytä tässä laitteessa vain Husqvarna alkuperäisiä 40-B-akkuja

⁴³ Melupäästö ympäristöön äänitehona (L_{WA}) EY-direktiivin 2000/14/EY mukaisesti mitattuna. Laitteen ilmoitettu äänentehotaso on mitattu käyttäen alkuperäistä terälaitetta, joka antaa suurimman äänentehotason. Taatun ja mitatun äänitehон erona on se, että taattu ääniteho sisältää myös mitatun tuloksen hajonnan ja vaihtelun saman mallin eri laitteiden välillä direktiivin 2000/14/EY mukaisesti.

⁴⁴ Ilmoitetuilla tiedoilla vastaavasta laitteen äänenpainetasosta tyypillinen tilastollinen hajonta (vakiopoikkeama) on 3 dB(A).

⁴⁵ Ilmoitettujen tärinätasotietojen tyypillinen tilastollinen hajonta (vakiopoikkeama) on 1,5 m/s².

Hyväksytyt akut

Akku	40-B140
Tyyppi	Litiumioni
Akun kapasiteetti, Ah	4
Nimellisjännite, V	36
Paino, kg	1,25

Hyväksytyt akkulaturit

Akkulaturi	40-C80
Verkkovirta, V	100–240
Taajuus, Hz	50–60
Teho, W	72
Lähtöjännite, V, tasavirta/ ampeeria, A	43 / 1,6

Vaatimustenmukaisuusvakuutus

EU-vaatimustenmukaisuusvakuutus

Husqvarna AB, SE-561 82 Huskvarna, Ruotsi, puh. +46
36 146500, vakuuttaa täten, että tuote:

Kuvaus	Käsikäyttöinen puutarhapuhallin/imuri
Tuotemerkki	Husqvarna
Tyyppi/malli	120iBV
Tunniste	Sarjanumerot vuodesta 2022 alkaen

vastaavat täysin seuraavien EU:n direktiivien ja
asetusten vaatimuksia:

Asetus	Kuvaus
2006/42/EC	konedirektiivi
2014/30/EU	EMC-direktiivi
2011/65/EU	Direktiivi tiettyjen vaarallisten aineiden käytön rajoittamisesta sähkö- ja elektroniikkalaitteissa
2000/14/EC	Melupäästädirektiivi

ja että asiassa sovelletaan seuraavia
standardeja ja/tai teknisiä tietoja: EN
60335-1:2012+A11+A13+A1+A14+A2+A15, EN
50636-2-100:2014, EN IEC 63000:2018, EN ISO
12100:2010, EN IEC 55014-1:2021; EN IEC
55014-2:2021

Direktiivin 2000/14/EY, liitteen V mukaisesti, katso
kohdassa *Tekniset tiedot sivulla 271* ilmoitetut
meluarvot.

Huskvarna, 2023-01-16



Claes Losdal, tuotekehityspäällikkö, Husqvarna AB

Teknisestä dokumentaatiosta vastaava edustaja

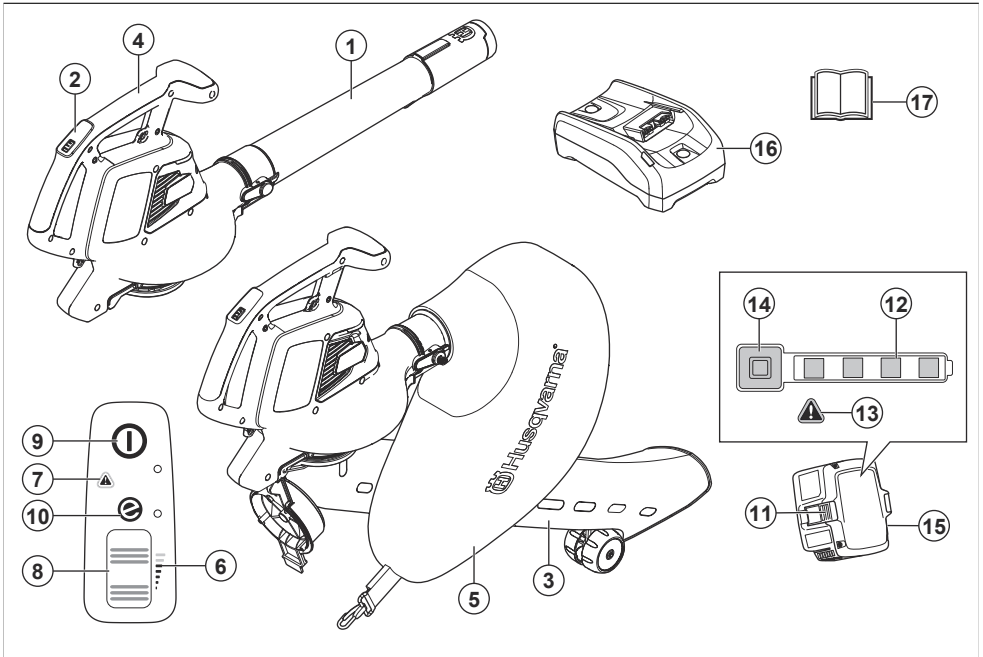


Sisukord

Sissejuhatus.....	274	Veatsing.....	286
Ohutus.....	276	Transportimine, hoiulepanek ja utiliseerimine.....	287
Kokkupanek.....	280	Tehnilised andmed.....	288
Töö.....	282	Vastavusdeklaratsioon.....	290
Hooldamine.....	285		

Sissejuhatus

Toote tutvustus



1. Puhuri toru
2. Klahvistik
3. Imuritoru
4. Juhtraud
5. Kogumiskott
6. Öhuvooluindikaator
7. Hoiatuse indikaator (tõrke LED-tuli)
8. Jõuratas
9. Käivitus- ja seiskamisnupp
10. SavE-näidik
11. Aku vabastamise nupp
12. Aku olek
13. Hoiatuse indikaator (tõrke LED-tuli)

14. Toite- ja hoiatusindikaator
15. Ainult Husqvarna 120iBV puhurseadmekomplektis olev aku
16. Ainult Husqvarna 120iBV puhurseadmekomplektis olev akulaadija
17. Kasutusjuhend

Toote kirjeldus

Husqvarna 120iBV on elektrimootoriga aiapuhuri-imuri mudel.

Tegeleme pidevalt oma toodete edasiarendamisega ning seetõttu jätame endale õiguse muuta toodete disaini ja välimust ilma sellest ette teatamata.

Kasutusotstarve

Puhuri režiim: Puhur on mõeldud mustuseosakeste või niidetud rohu eemale puhumiseks teeradadelt, sõiduteedelt, siseõuedest jms. Samuti on see ette nähtud rohu, põhu või lehtede kuhjadesse puhumiseks või mustuseosakeste eemaldamiseks nurkadest, vuukidest või plaatide või telliste vahedest.

Imuri režiim: Imur on mõeldud kuiva materjali imemiseks. Nendeks on näiteks lehed, rohi, väiksed oksad ja paberitükid.

Sümbolid tootel



HOIATUS! Toode võib olla ohtlik ja põhjustada kasutaja või kõrvaliste isikute ohtliku kehavigastuse või surma. Olge ettevaatlik ja kasutage toodet õigesti.



Enne seadme kasutamist lugege kasutusjuhend hoolikalt läbi ja veenduge, et oleksite juhistest aru saanud.



Kandke heakskiidetud kaitseprille.



Nimipinge, V



Alalisvool.



Müraemissioonile viitav keskkonnasilt vastavalt ELi ja UK direktiividele ja määrustele ja Uus Lõuna-Walesi õigusaktile „Protection of the Environment Operations (Noise Control) Regulation 2017“. Toote garanteeritud helivõimsuse taseme andmed leiata jaotisest *Tehnilised andmed lk 288* ja sildil.



Enne hooldamist ühendage aku lahti.



Toode või toote pakend ei kuulu olmejäätmete hulka. Toimetage see elektri- ja elektroonikajäätmete vastuvõtupunkti.



See toode vastab kehtivatele EÜ direktiividele.



See toode vastab kehtivatele UK direktiividele.



Ärge jätke vihma kätte.



Pärast toote väljalülitamist oodake, kuni rootori labad seiskuvad.



Kasutage toodet imuri režiimis ainult siis, kui toru on täielikult kokku pandud.



Puhurseadme kasutaja on kohustatud tagama, et inimesed ja loomad ei tulleks töö ajal lähemale kui 15 m. Kui samas kohas töötab mitu seadmekasutajat, peab ohutusvahemaa olema vähemalt 15 meetrit. Puhurseade võib jõuliselt liigutada objekte, mis võivad tagasi pörkuda. Soovitusliku ohutusvarustuse mittekasutamisel võib see põhjustada tõsiseid silmavigastusi.



aaaa nxxxxx

Andmesildile on märgitud seerianumber. **aaaa** on tootmisaasta, **nn** on tootmisnädal.

Märkus: Ülejäänud lõikeosal esitatud sümbolid/tähised vastavad erinevates riikides kehtivatele sertifitseerimisnõuetele.

Akul ja/või akulaadijal olevad sümbolid.



Toimetage seade elektri- ja elektroonikajäätmete ringlussevõtukeskusesse. (Kehtib vaid Euroopas)



Tõrkekindel trafo.



Kasutage ja hoiustage akulaadijat ainult siseruumides.



Topeltisolsatsioon.

Tootja

Husqvarna AB

Drottninggatan 2, SE-561 82 Huskvarna

Toote kahjustused

Me ei vastuta meie tootele tekitatud kahjude eest, kui:

Ohutus

Ohutuse määratlused

Mõistetega „hoiatus“, „ettevaatus“ ja „märkus“ juhitakse tähelepanu eriti olulistele kohtadele kasutusjuhendis.



HOIATUS: Tähistab kasutusjuhendi juhiste eiramise korral kasutaja või kõrvalseisjate kehavigastuse või surmaga lõppeva õnnetuse ohtu.



ETTEVAATUST: Tähistab kasutusjuhendi juhiste eiramise korral toote ja/või tarviku, muude esemete või läheduses asuvate objektide kahjustamise ohtu.

Märkus: Tähistab antud olukorras vajalikku lisateavet.

Üldised ohutuseeskirjad



HOIATUS: Enne toote kasutamist lugege läbi järgmised hoiatused.

- Juhtseadiste selgeks tegemiseks ja toote õigeks kasutamiseks lugege juhiseid hoolikalt. Kui toodet kasutatakse valesti või hooletult, võib see muutuda ohtlikuks ning põhjustada kasutajale või kõrvalseisjatele raskeid või koguni eluohtlikke kehavigastusi.
- Seadme algset konstruktsiooni ei tohi muuta ilma tootja loata. Ärge kunagi kasutage toodet, mille algset spetsifikatsiooni on mingil viisil muudetud. Kasutage alati originaaltarvikuid. Lubamatud muudatused ja varuosad võivad põhjustada kasutaja ja teiste isikute raskeid või isegi eluohtlikke kehavigastusi. Garantii ei pruugi katta kahjusid, mis on põhjustatud volitamata tarvikute või varuosade kasutamisest.
- Toode tekitab töötades elektromagnetvälja. Teatud tingimustel võib väli häirida aktiivsete või passiivsete meditsiiniliste implantaatide tööd. Raskete või

- toodet on valesti parandatud;
- toote parandamisel on kasutatud osi, mis ei ole tootja poolt valmistatud või heaks kiidetud;
- tootel on kasutatud tarvikut, mis ei ole tootja poolt valmistatud või heaks kiidetud;
- toodet ei ole parandatud volitatud hoolduskeskuses või volitatud isiku poolt.

surmaga lõppevate kahjustuste ohu vähendamiseks soovitame meditsiinilisi implantaate kasutavatel inimestel pidada enne selle toote kasutamist nõu oma arsti ja implantaadi valmistajaga.

- Laadimiseks eraldage aku tootest.

Üldised ohutusalased märkused elektritööriistade kohta

Kontroll enne käivitamist

- Vaadake üle tööpiirkond. Kõrvaldage kõik lahtised esemed, nt kivid, klaasikillud, naelad, traadid, nõõrid jms, mis võiksid õhku paiskuda.
- Eemaldage alati aku, et seade juhuslikult ei käivituks. Enne seadme hooldamist tuleb aku alati lahutada.
- Enne masina kasutamist ning pärast löögi saamist tuleb kontrollida kulumis- ja kahjustusmärke ning masinat vajadusel remontida.
- Kasutage ainult originaalvaruosi.
- Seadme kasutaja on kohustatud jälgima, et inimesed ja loomad ei tuleks töö ajal lähemale kui 15 m. Kui samas kohas töötab mitu kasutajat, peab ohutusvahemaa olema vähemalt 15 meetrit.
- Tehke masinale enne kasutamist üldine ülevaatus, vt hooldusgraafikut.
- Kasutamist võivad piirata riiklikud või kohalikud seadused. Järgige kõiki määrusi.

Inimeste kaitsmine

- **Olge elektritööriista kasutamisel tähelepanelik, jälgige oma tegevust ja kasutage tervet mõistust. Ärge kasutage elektritööriista, kui olete väsinud või uimastite, alkoholi või ravimite mõju all.** Hetkeline tähelepanematus elektritööriistade kasutamise ajal võib lõppeda tõsiste kehavigastustega.
- Hoidke kõrvalseisjad eemale.
- Seda seadet ei tohi kasutada isikud (sh lapsed), kellel on nõrgemad füüsilised, sensoorsed või vaimsed võimed või puudulikud teadmised ja kogemused, välja arvatud juhul, kui neid jälgib või juhendab seadme kasutamisel isik, kes vastutab

nende ohutuse eest. Lapsi tuleb jälgida, et nad seadmega ei mängiks.

- Ärge kunagi lubage lastel või nende juhitega mittetutvunud inimestel seadet kasutada. Kohalikud kehtivad eeskirjad võivad piirata kasutaja lubatud vanust.
- Ärge laske ligi kõrvalisi isikuid. Lapsed, loomad, pealtvaatajad ja abistajad peavad viibima väljaspool 15-meetrist ohutustsooni. Seisake masin kohe, kui keegi läheneb.
- Seadet tuleb hoida lukustatud ruumis, kus lapsed ja kõrvalised isikud sellele ligi ei pääse.
- Ärge kasutage seadet sillutatud või killustikuga kaetud pinnal, kus õhku paiskuvad esemed võivad põhjustada kehavigastusi.
- Masina kasutamise ajal kandke alati tugevaid jalatseid ja pikki pükse. Ärge kasutage seadet paljajalu või lahtiste sandaalidega. Vältige lahtist riietust ja rippuvate nõõride või kinnititega rõivaid.
- Ärge kandke lahtisi rõivaid või ehteid, mille masin võib õhuvõtuavasse imeda. Hoidke pikad juuksed eemal õhuvõtuavast.
- Ärge kunagi töötage seadmega, kui olete väsinud, tarvitanud alkoholi või võtnud ravimit, mis võib mõjutada nägemist, otsustusvõimet või koordinatsiooni.
- Kandke isikukaitsevahendeid. Vaadake juhiseid jaotisest „Isikukaitsevahendid“.
- Seadme üleandmisel teisele isikule eemaldage alati aku.
- Ärge unustage, et seadme kasutaja vastutab selle eest, et inimeste või nende varaga ei juhtuks õnnetus.

Elekritööriista kasutamine ja hooldamine

- Ärge kunagi kasutage seadet, mille ehitust on muudetud. Ärge kunagi kasutage seadet plahvatusohtlike või süttivate materjalide läheduses.
- Ärge kunagi kasutage kahjustatud seadet. Teostage ohutuskontroll ja hooldage seadet korrapäraselt, nagu käsitlemisõpetuses nõutud. Teatud hooldustoiminguid tohib teha ainult vastava väljaõppe saanud spetsialist. Vaadake juhiseid jaotisest „Hooldus“.
- Kasutage ainult originaalvaruosi.
- Kontrollige alati, et õhutusavad oleksid puhtad.
- Enne käivitamist tuleb paigaldada kõik seadme katted, kaitsed ja käepidemed.
- Kasutage seadet üksnes päevavalguses või hea valgustuse korral.
- Ärge kunagi kasutage seadet halbade ilmastikuolude korral, nagu nt udu, vihmasadu, niiske või märg keskkond, tugev tuul, tugev pakane, pikselöögi oht jms. Äärmiselt palava ilma korral võib seade üle kuumeneda. Halva ilmaga töötamine on väsitav ja see võib põhjustada ohtlikke olukordi, nt libedate pindade tõttu.

- Kui masin hakkab ebatavaliselt vibreerima, siis peatage masin ja eemaldage aku.
- Kõndige ja ärge kunagi jookske.

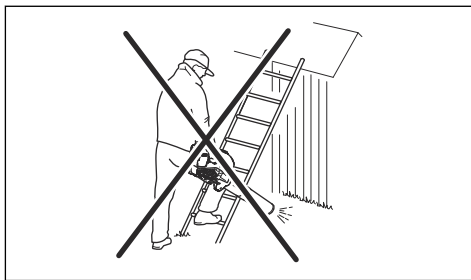
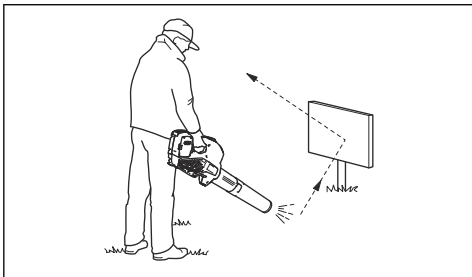
Ohutusjuhised kasutamisel



HOIATUS: Enne toote kasutamist lugege läbi järgmised hoiatused.

- Kui olukord on teile tundmatu, katkestage töö ja küsige spetsialistilt nõu. Võtke ühendust edasimüüja või hooldustöökojaga. Ärge tehke tööd, milleks teil puudub väljaõpe või kogemused.
- Veenduge, et saate turvaliselt seista ja liikuda. Vaadake, et läheduses ei oleks tõkkeid, nagu juuri, kive, oksid, kraave jms, mis oleksid takistuseks juhul, kui tuleb kiiresti eemalduda. Olge eriti ettevaatlik kallakutel töötades.
- Olge kindlal pinnal ja hoidke ennast tasakaalus. Ärge küünitage liiga kaugele.
- Kui kasutate kõrvaklappe, olge tähelepanelik hõigete ja hoiatussignaalide suhtes. Eemaldage kõrvaklapid kohe, kui seade on seiskunud.
- Ärge kasutage seadet avatud akende läheduses.
- Hoolige läheduses viibivatest inimestest ja ärge kasutage seadet sobimatutel kellaaegadel, nt hiisõhtul või varahommikul. Järgige kehtivaid kohalikke eeskirju ja korraldusi.
- Kasutage toodet võimalikult madala õhuvooluvõimsusega. Täisvõimsuse kasutamine on vajalik harva, paljusid töid saab teha poole õhuvooluvõimsusega. Väiksem õhuvooluvõimsusega kaasneb vähem müra ja tolmu ning samuti on kokku kogutavat või eemale puhutatavat prahti nii lihtsam suunata.
- Toote kasutamisel tolmuses kohas niisutage pinda kergelt.
- Maa külge kinni jäänud prahi eemaldamiseks kasutage reha või luuda.
- Hoidke puhuri avaust võimalikult maapinna lähedal.
- Jälgige ümbrust. Suunake toode eemale inimestest, loomadest, mänguväljakutest, autodest jms.
- Puhumisaega saate vähendada, niisutades kergelt tolmuseid piirkondi või kasutades pihustusvarustust.
- Arvestage tuule suunaga. Kasutage tuult ära, see teeb töö lihtsamaks.
- Kui seade hakkab ebatavaliselt vibreerima, siis seisake seade ja eemaldage aku.
- Puhurseadme abil suurte kuhjade liigutamine on aeganõudev ja tekitab asjatult suurt müra.
- Koristage töö jäljed. Veenduge, et te poleks prahti kellegi aeda pahunud.
- Ärge jookske seadmega töötamise ajal.

- Jõulised õhuvood võivad objekte liigutada sellisel kiirusel, et need põrkavad tagasi ja põhjustavad tõsiseid silmavigastusi.



- Ärge suunake õhuvoolu inimeste ega loomade poole.
- Enne tarvikute ja muude komponentide paigaldamist või eemaldamist seisake alati mootor.
- Hoidke kõik kehaosad kuumadest pindadest eemal.
- Ärge kunagi asetage käivitatud seadet maha, kui see ei asu teie vaateväljas.
- Seisake masin ja eemaldage aku. Veenduge, et liikuvad osad oleksid täielikult peatunud:
 - kui lahkute masina juurest,
 - enne ummistuste kõrvaldamist ja väljalaskerenni puhastamist,
 - enne seadme kontrollimist, puhastamist ja hooldamist.
- Lülitage kohe toiteallikas välja ja laske masinal seiskuda, kui löikemehhanism tabab vööriehi või kui masinast on kosta ebatavalist müra või see tekitab ebatavalist vibratsiooni. Eemaldage masinalt toide. Enne taaskäivitamist töö alustamiseks tehke järgmised sammud:
 - kontrollige masinat kahjustuste suhtes,
 - vahetage välja või parandage kahjustatud osad,
 - kontrollige ja keerake kinni kõik lõdvenenud osad.
- Kui masin ummistub, lülitage toiteallikas välja ja ühendage masin aku küljest lahti enne soovimatutest materjalidest puhastamist.
- Ärge transportige masinat, kui selle toiteallikas töötab.
- Ärge transportige masinat, kui selle mootor töötab.
- Puhurseadet ei tohi kasutada redelil või tellingutel seisestis.

- Ärge kasutage seadet olukordades, kus teil pole õnnetuse korral võimalik abi kutsuda.
- Hoiduge eemalpaiskuvate esemete eest. Kivid, praht jms võib õhku paiskudes teile silma lennata ja põhjustada raske kehavigastuse või isegi pimedaks jäämise.
- Kasutage toote laadimisel rikkevoolukaitset (RCI) lisaohutuse tagamiseks. Seade on varustatud rikkevoolukaitsemega, mis kaitseb kasutajaid elektririkke korral.
- See seade on tuntud oma madala vibratsioonitaseme poolest. Tugeva vibratsiooniga töötamine võib põhjustada vereringe- või närvikahjustusi, eriti neil, kel on vereringehäireid. Pöörduge arsti poole, kui ilmneb nähte, mis võivad olla vibratsioonist põhjustatud. Sellisteks sümptomiteks on näiteks tundetus, surin, torkiv tunne, valu, nõrkus, muutused nahavärvis või naha seisukorras. Nimetatud nähtused esinevad tavaliselt sõrmedes, käelabades ja randmetes.
- Kasutage seadet ainult ettenähtud otstarbel.
- Kõiki olukordi, mis võivad seadme käitamisel ette tulla, ei ole võimalik kirjeldada. Olge alati ettevaatlik ja kasutage tervet mõistust. Vältige olukordi, millega te ei pruugi toime tulla. Kui te pärast selle juhendi läbilugemist tunnete veel ebakindlust, küsige enne jätkamist nõu asjatundjalt.

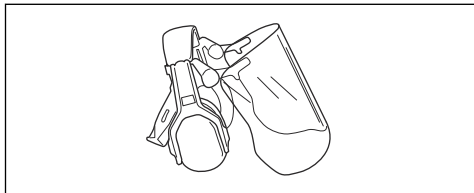
Isikukaitsevahendid



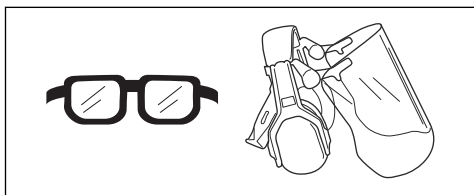
HOIATUS: Enne toote kasutamist lugege läbi järgmised hoiatused.

- Seadmega töötamisel tuleb kasutada ettenähtud isikukaitsevarustust. Isikukaitsevarustus ei välista täielikult kehavigastuste ohtu, kuid vähendab õnnetusjuhtumi korral kehavigastuse raskusastet. Õige varustuse valimiseks pöörduge edasimüüja poole.
- Pikaajaline kokkupuude müraga võib tekitada kuulmiskahjustusi. Üldiselt on akutoitel töötavad seadmed suhteliselt vaiksed, kuid müratase koos pikaajalise kasutamisega võib tekitada kuulmiskahjustusi. soovib kasutajal kanda kõrvaklappe, kui seadmega töötatakse pikemat aega järjest. Kasutajad, kes kasutavad seadet pidevalt ja regulaarselt, peavad käima korrapäraselt kuulmist

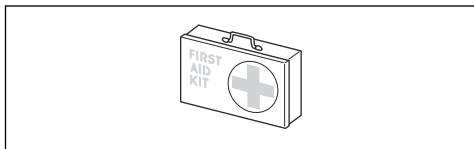
kontrollimas. Võtke arvesse, et kõrvaklapid piiravad võimet kuulda helisid ja hoiatussignaale.



- Kandke heakskiidetud kaitseprille. Näokaitsme kasutamisel tuleb lisaks kasutada heakskiidetud kaitseprille. Heakskiidetud kaitseprillide all mõeldakse selliseid prille, mis vastavad standardile ANSI Z87.1 USA-s või EN 166 Euroopa Liidu riikides.



- Kandke vastupidavast materjalist riideid. Kandke alati pikki raskeid pükse ja pikki varrukaid. Hoiduge liiga avaratest rõivastest, mis võivad okstesse takerduda. Ärge kandke ehteid, lühikesi pükse, lahtiseid jalatseid ega käige paljajalu. Kinnitage juuksed ohutult õlgadest kõrgemale.
- Hoidke esmaabikomplekt käepärast.



- Tolmu tekke riski korral tuleb kasutada hingamiskaitset.

Toote ohutusseadised



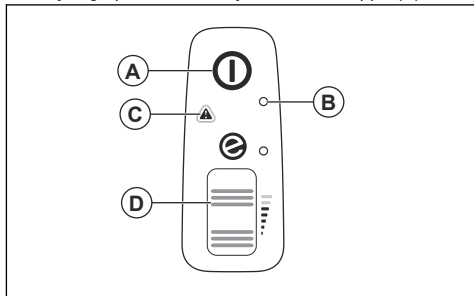
HOIATUS: Enne toote kasutamist lugege läbi järgmised hoiatused.

- Selles alalõigus kirjeldatakse masina turvavarustust, selle otstarvet ning kuidas läbi viia kontrollid ja hooldust, tagamaks masina nõuetekohane töö. Vaadake pealkirja all olevaid juhiseid, *Toote tutvustus lk 274* et teada saada, kus need osad teie tootel asuvad.
- Kui seadet ei hooldata õigesti ja korrapäraselt ning seadet ei paranda asjatundja, võib seadme tööiga lüheneda ja tekkida õnnetuste oht. Kui vajate täiendavat infot, pöörduge lähimasse teenindusse.

- Ärge kasutage seadet, kui selle turvavarustus pole täiesti korras. Ohutusvarustust tuleb käesolevas lõigus toodud eeskirjade kohaselt hooldada ja kontrollida. Kui seade ei vasta ohutusnõuetele, laske see parandada hooldustöökojas.
- Toote hooldus ja parandamine nõuab eraldi väljaõpet. Eriti oluline on see toote ohutusvarustuse puhul. Kui toode ei vasta allpool toodud nõuetele, võtke ühendust hooldustöökojaga. Meie toodetele on tagatud professionaalne hooldus ja parandus. Kui toote müüja ei tegele hooldusega, paluge teda juhutada teid lähimasse hooldustöökotta.

Klahvistiku kontrollimine

1. Vajutage pikalt käivitus- ja seiskamisnuppu (A).



- a) Kui LED-tuli (B) süttib, on seade sisse lülitatud.
 - b) Seade on välja lülitatud siis, kui LED-tuli (B) kustub.
2. Vt jaotisest *Kasutajaliides lk 286* Kui hoiatusindikaator (C) süttib või vilgub.
 3. Vajutage jüratast (D) ja seejärel vabastage, et veenduda, kas see liigub vabalt.

Aku ohutus



HOIATUS: Enne toote kasutamist lugege läbi järgmised hoiatused.

- Kasutage ainult toote jaoks soovitatud 40-B seeria akusid. Vt jaotisest *Heakskiidetud akud lk 288*. Akud on kodeeritud.
- Kasutage Husqvarna toodete vooluallikana üksnes taaslaetavaid 40-B seeria akusid. Kehavigastuse vältimiseks ärge kasutage akut muude seadmete toiteallikana.
- Elektrilöögioht. Ärge ühendage akuklemme võtmete, kruvide või muude metallesemetega. See võib tekitada akus lühise.
- Ärge kasutage mittetaaslaetavaid akusid.
- Ärge asetage esemeid aku õhuavade sisse ja ette.
- Vältige aku kokkupuudet otsese päikesevalguse, kuumuse ja lahtise leegiga. Aku võib põhjustada põletusi ja/või keemilisi põletusi.
- Vältige aku kokkupuudet vihma ja märja keskkonnaga.

- Vältige aku kokkupuudet mikrolainete ja kõrgsurvega.
- Ärge demonteerige ega lõhkuge akut.
- Kasutage akut keskkonnas, mille temperatuur jääb vahemikku –10...40 °C.
- Ärge puhastage akut või akulaadijat veega. Vt jaotisest *Seadme, aku ja akulaadija puhastamine lk 286*.
- Ärge kasutage defektset või kahjustatud akut.
- Hoiustage akusid eemal metallesemetest (nt naelad, kruvid, ehted).
- Hoidke aku eemal lastest.

- Ärge asetage esemeid akulaadija jahutusavade sisse ja ette.
- Ärge kunagi ühendage akulaadija klemme metallesemete külge, vastasel korral võib akulaadija lühistuda.
- Kasutage heakskiidetud ja kahjustamata pistikupesasid. Veenduge, et akulaadija juhe poleks kahjustatud. Pikendusjuhtme kasutamisel veenduge, et pikendusjuhe poleks kahjustatud.

Ohutusjuhised hooldamisel



HOIATUS: Enne seadme hooldustööde tegemist lugege läbi järgmised hoiatused.

- Kui masin seisatakse hoolduse, ülevaatuuse, hoiustamise või tarviku vahetamise eesmärgil, laske masinal enne kontrollide, reguleerimiste jms tegemist jahtuda. Hooldage masinat põhjalikult ja hoidke seda puhtana.
- Eemaldage aku enne hooldustööde või muude kontrolltoimingute või seadme kokkupanemise alustamist.
- Seadme kasutaja tohib teha üksnes käesolevas kasutusjuhendis kirjeldatud hooldustöid. Mahukamate hooldustööde tegemiseks pöörduge hooldusesindusse.
- Toote ohutuse ja korrasoleku tagamiseks peavad kõik mutrid, poldid ning kruvid olema korralikult kinnitatud.
- Vahetage välja kulunud või kahjustunud osad.
- Kui hooldustöid ei tehta, siis seadme kasutusiga lüheneb ja õnnetuste oht kasvab.
- Kõigi hooldus- ja parandustööde tegemiseks (eriti seadme ohutusseadiste juures) on vajalik eriväljaõpe. Kui pärast hooldustööde tegemist ei läbi seade kõiki käesolevas kasutusjuhendis kirjeldatud kontrolltoiminguid, siis rääkige hooldusesinduse töötajaga. Garanteerime, et hooldusesinduses tehakse teie seadmele professionaalsel tasemel remondi- ja hooldustööd.
- Kasutage ainult originaalvaruosi.

Akulaadija ohutus



HOIATUS: Enne toote kasutamist lugege läbi järgmised hoiatused.

- Ohutuseeskirjade eiramine võib kaasa tuua elektrilöögi või lühise.
- Kasutage ainult seadme tarnekomplekti kuuluvat akulaadijat. Husqvarna 40-B140 asendusakude laadimiseks kasutage ainult 40-C80 laadijaid. Vt jaotisest *Heakskiidetud akulaadijad lk 289* ja *Heakskiidetud akud lk 289*.
- Ärge püüdke akulaadijat lahti monteerida.
- Ärge kunagi kasutage defektset või kahjustunud akulaadijat.
- Ärge tõstke akulaadijat toitejuhtmest hoides. Akulaadija võrgupistikupesast lahutamiseks tõmmake pistikut. Ärge tõmmake toitejuhet.
- Vältige juhtmete ja pikendusjuhtmete kokkupuudet vee, õli ja teravate servadega. Jälgige, et juhe ei jääks uste, värvate jms vahele.
- Ärge kasutage akulaadijat tuleohtlike või korrosiooni tekitavate materjalide läheduses. Veenduge, et akulaadija poleks kinni kaetud. Suitsu või tule tekke korral eemaldage pistik akulaadijast.
- Laadige akut ainult hea õhuvahetusega siseruumis ja päikesevalguse eest kaitstuna. Ärge laadige akut õues. Ärge laadige akut märjas keskkonnas.
- Kasutage akulaadijat keskkonnas, mille temperatuur jääb vahemikku 5...40 °C. Kasutage laadijat hästi ventileeritavas, kuivas ja tolmuvabas keskkonnas.

Kokkupanek

Puhuri režiim



HOIATUS:

Tekkida võib lõikevigastuse oht, kui rootori labad pöörlevad või masin hakkab ootamatult tööle. Enne toote kokkupanemist eemaldage aku ja oodake, kuni rootori labad peatuvad.

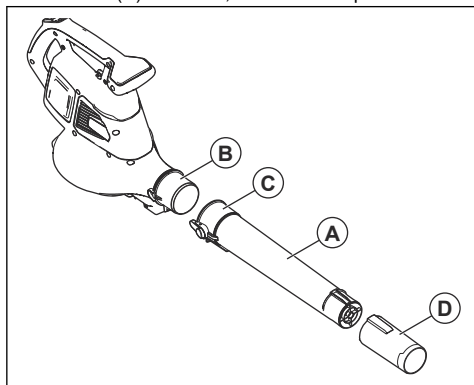


HOIATUS: Enne toote kasutamist puhuri režiimis pange puhuritoru ja sisselaskekate täielikult kokku.

Puhuritoru kinnitamine

Märkus: Kui puhuritoru pole õigesti kokku pandud, takistab ohutuslülitit puhuri käivitumist.

1. Lükake puhuritoru (A) puhuri väljalaskeavas (B). Lukustus (C) rakendub, kui kuulete klõpsatust.

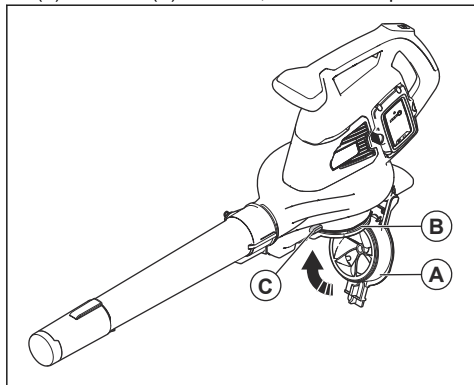


2. Paigaldage puhuri otsik (D) puhuritorule. Puhuri otsik on kohale lukustunud, kui kuulete klõpsatust.

Sisselaske kate kokkupanek

Märkus: Kui sisselaske kate pole õigesti kokku pandud, takistab ohutuslüli puhuri käivitamist.

- Sulgege puhuri sisselaskeava (B) sisselaske kate (A). Lukustus (C) rakendub, kui kuulete klõpsatust.



Imuri režiim



HOIATUS: Enne toote imuri režiimis kasutamist pange imuritoru ja kogumiskott täielikult kokku.

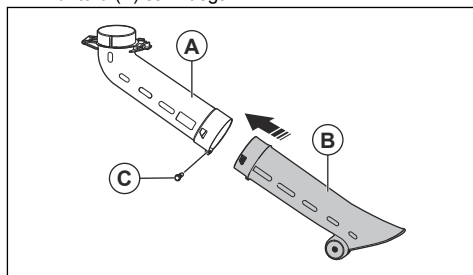
Imuritoru kinnitamine



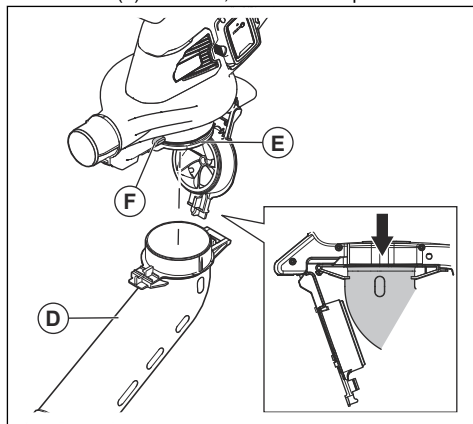
HOIATUS: Enne toote käivitamist pange ülemine ja alumine imuritoru kokku.

Märkus: Kui imuritoru pole õigesti kokku pandud, takistab turvalüli imuri käivitamist.

1. Joondage ülemise imuritoru (A) pilud alumise imuritoru (B) sakkidega.



2. Lükake alumine imuritoru ülemisele imuritorule, kuni kuulete klõpsatust.
3. Pingutage kruvi (C).
4. Paigaldage imuritoru (D) imuri sisselaskeavas (E). Lukustus (F) rakendub, kui kuulete klõpsatust.



Kogumiskoti kokkupanek

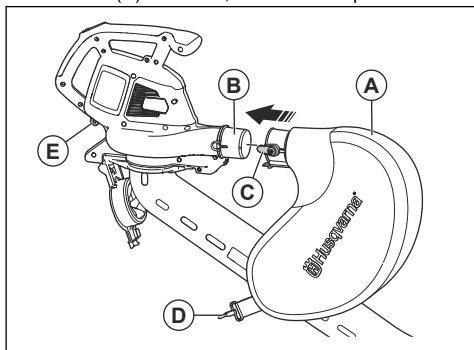
Märkus: Kui kogumiskott pole õigesti kokku pandud, peatab ohutuslüli toote käivitamise.



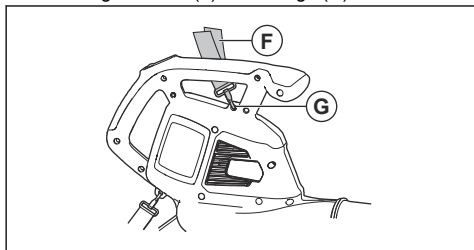
HOIATUS: Enne koti kinnitamist või eemaldamist seisake masin.

1. Eemaldage puhuri toru, kui see on tootele paigaldatud.

- Lükake kogumiskott (A) imuri väljalaskeavale (B). Lukustus (C) rakendub, kui kuulete klõpsatust.



- Ühendage kogumiskoti rihtm (D) kinnitusega (E).
- Ühendage õlarihm (F) kinnitusega (G).



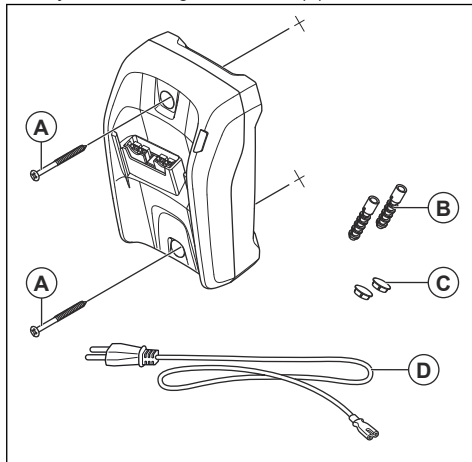
- Veenduge, et kogumiskott on täielikult suletud.

Akulaadija seinale paigaldamine



ETTEVAATUST: Ärge kasutage akulaadija seinale paigaldamiseks elektrilist kruvikeerajat. Elektriline kruvikeeraja võib akulaadijat kahjustada.

- Paigaldage akulaadija kahe kruviga (A) seinale. Vajadusel kasutage seinakorke (B).



- Paigaldage kaks kruviauguga korki (C).
- Ühendage toitejuhe (D) akulaadija ja vooluvõrguga.

Töö

Sissejuhatus



HOIATUS: Enne toote kasutamist lugege läbi ohutuspeatükk ja veenduge, et oleksite kõigest aru saanud.

Toimivustesti tegemine enne toote kasutamist

- Veenduge, et õhuvõtuava poleks määrdunud ega pragunenud. Pühkige harja abil tootelt ära rohulibled ja lehed.
- Veenduge, et toode töötaks korralikult.
- Kontrollige kõiki mutreid ja polte ning veenduge, et need oleksid korralikult kinni keeratud.

Aku



HOIATUS: Enne aku kasutamist lugege läbi ohutuspeatükk ja veenduge, et kogu teave on arusaadav. Lugege läbi aku ja

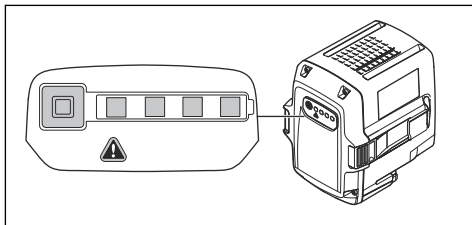
akulaadija kasutusjuhend ning veenduge, et kogu teave on arusaadav.

Hoidke akut ja akulaadijat õigel õhutemperatuuril.

	Õhutemperatuur
Aku kasutamine	5 °C...40 °C
Aku laadimine	5 °C...40 °C

Aku olek

Ekraanil kuvatakse teave aku laetustaseme ja mistahes akuga seotud probleemide kohta.



LED-märgutuli	Aku laadimisolek
Põleb 4 LED-tuld	Aku on 76–100% laetud.
Põleb 3 LED-tuld	Aku on 51–75% laetud.
Põleb 2 LED-tuld	Aku on 26–50% laetud.
Põleb 1 LED-märgutuli	Aku on 6–25% laetud.
1 LED-märgutuli vilgub	Aku on 0–5% laetud.

Aku laadimine

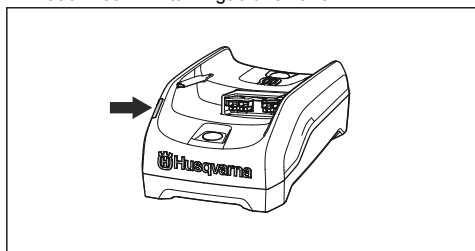
Enne aku esimest kasutuskorda laadige aku täis. Uue aku laetustase on ainult 30%.



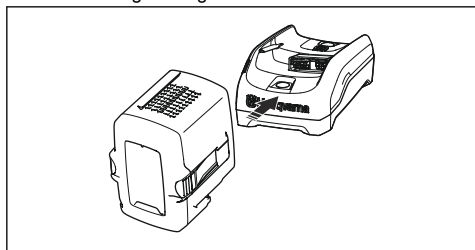
ETTEVAATUST: Ühendage akulaadija tüübisildil näidatud pinge ja sagedusega pistikupeessa.

Akut ei laeta, kui aku temperatuur on üle 50 °C.

1. Ühendage toitepistik akulaadijaga.
2. Ühendage akulaadija maandatud pistikupeessa. Laadimise LED-tuli vilgub ühe korra.



3. Ühendage aku akulaadijaga. Süttib laadimist tähistav LED-tuli. Ärge laadige akut kauem kui 24 tundi.



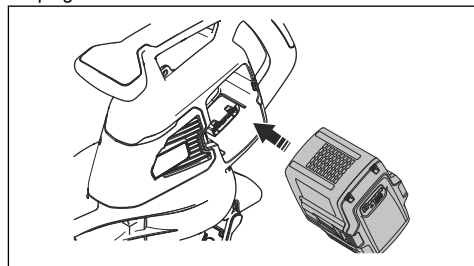
4. Vajutage akunäidiku nuppu. Kui kõik LED-märgutuled süttivad, on aku täis laetud.
5. Akulaadija eemaldamiseks vooluvõrgust tõmmake toitepistik pistikupesast välja. Ära tõmba toitejuhet.
6. Eemaldage aku laadijast.

Aku ühendamine seadmega

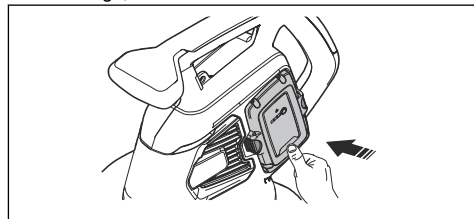


HOIATUS: Kasutage seadmest ainult Husqvarna originaalakusid.

1. Veenduge, et aku oleks täis laetud.
2. Lükake aku seadme akupesassa. Aku peab libisema kergelt. Kui ta seda ei tee, siis pole aku õigesti paigaldatud.

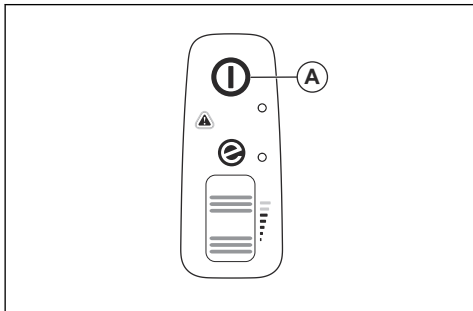


3. Vajutage aku alumisele osale ja lükake see akukambrisse nii kaugele kui võimalik. Aku on kohale lukustunud, kui kuulete klõpsatust.
4. Veenduge, et riivid lukustusid korralikult.

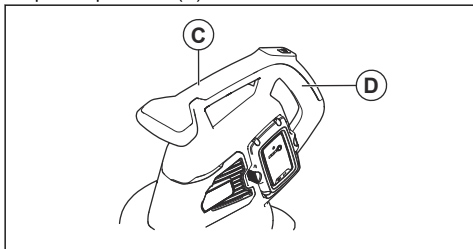


Toote käivitamine

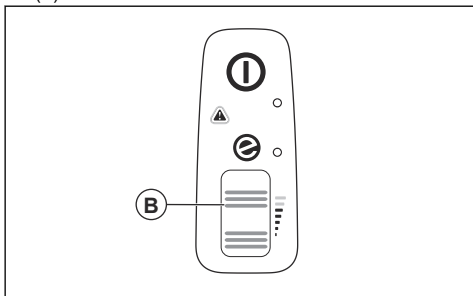
1. Vajutage käivitus- ja seiskamisnupp (A) seni, kuni süttib roheline LED-tuli.



2. Hoidke ühe käega abikäepidemest (C) ja teise käega peakäepidemest (D).

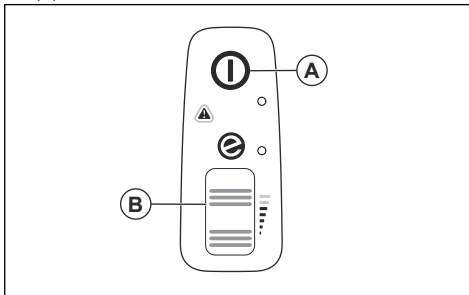


3. Puhuri või imuri režiimi käivitamiseks kerige jõuratast (B) üles.



Toote seiskamine

1. Puhuri või imuri režiimi peatamiseks kerige jõuratast (B) alla.

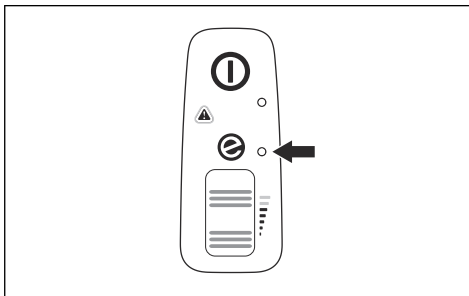


2. Vajutage pikalt käivitus- ja seiskamisnupp (A), kuni roheline LED-tuli kustub.

ECO režiim

ECO režiim pikendab aku eluiga.

- ECO režiimi käivitamiseks kerige jõuratast alla. LED-tuli süttib ECO režiimi käivitamisel.



- Tavarežiimi käivitamiseks kerige jõuratast üles. Tavarežiimi käivitamisel LED-tuli kustub.

Kogumiskoti tühjendamine



HOIATUS:

Teravad esemed võivad põhjustada vigastusi. Ärge pange käsi kogumiskotti selle tühjendamisel.

1. Seisake toode.
2. Eemaldage kogumiskott.
3. Pöörake kogumiskoti sisekülg välja ja eemaldage sellesse kogunenud esemed.
4. Puhastage kogumiskott veevoolikuga.
5. Laske kogumiskotil kuivada.
6. Pange kogumiskott kokku.

Automaatse seiskamise funktsioon

Seadmel on automaatne väljalülitusfunktsioon, mis seiskab toote, kui seda ei kasutata. Toode lülitub ühe minuti pärast välja.

Hooldamine

Sissejuhatus



HOIATUS: Enne seadme hooldamist lugege põhjalikult läbi ohutust puudutav jaotis.

Hooldusgraafik



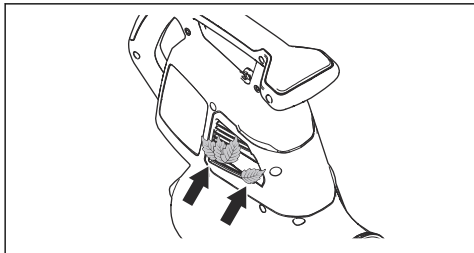
HOIATUS: Enne hooldustööde alustamist eemaldage aku.

Allpool on esitatud loend seadme hooldustöödest, mida peab tegema seadme kasutaja.

Hooldus	Iga päev	Iga nädal	Iga kuu
Puhastage väliseid pindu puhta ja kuiva lapiga. Ärge kasutage vett.	X		
Hoidke käepidemed kuivad, puhtad ning õli- ja määrdevabad.	X		
Veenduge, et käivitus- ja seiskamisnupp töötaks korralikult ja see poleks kahjustatud.	X		
Veenduge, et jõuratas töötab ohutuse mõttes õigesti.	X		
Kontrollige mutrite ja kruvide pingulolekut.	X		
Veenduge, et akul poleks kahjustusi.	X		
	X		
Veenduge, et aku vastustusnupud töötaksid korralikult ning et aku lukustuks kindlalt seadme külge.	X		
Veenduge, et akulaadijal poleks kahjustusi ja et see töötaks korrektselt.	X		
Kontrollige kõiki ühendusi, konnektoreid ja kaableid kahjustuste suhtes ning veenduge, et need oleksid puhtad.		X	
Kontrollige aku ja seadme vahelisi ühendusi ja seadet ning aku ja akulaadija vahelist ühendust.			X
Puhastage õhuvoolupilud pehme harjaga (ärge kasutage kruvikeerajat).	X		
Eemaldage ja puhastage puhuri- või imuritoru.	X		
Tühjendage ja puhastage kogumiskott. Vt jaotisest <i>Kogumiskoti tühjendamine lk 284</i> .	X		
Eemaldage sisselaskeavast ja sisselaskeava kattelt rohi, lehed, mustus või muu soovimatu materjal.	X		
Kontrollige ventilaatori tiivikut saastumise suhtes ja vajadusel puhastage ventilaatori tiivikut nüri ja pika esemega.	X		

Õhuvõtuava kontrollimine

1. Veenduge, et seadme külgedel poleks õhuvõtuava blokeeritud.



2. Vajadusel seisake toode ja eemaldage lehed või soovimatu materjal.



ETTEVAATUST: Kui õhuvõtuava on blokeeritud, siis seadme õhuvoolu võimsus kahaneb ja mootori töötemperatuur tõuseb. See võib

põhjustada mootoririkke, sest mootor muutub liiga kuumaks.

Aku ja akulaadija kontrollimine

1. Kontrollige, kas akul leidub kahjustusi, nt pragusid.
2. Kontrollige, kas akulaadijal leidub kahjustusi, nt pragusid.
3. Veenduge, et akulaadija ühendusjuhe poleks kahjustatud ja et sellel poleks pragusid.

Seadme, aku ja akulaadija puhastamine

1. Pärast kasutamist puhastage seade kuiva riidelapiga.
2. Puhastage aku ja akulaadija kuiva riidelapiga. Hoidke akujuhikuid puhtana.
3. Enne aku asetamist akulaadijasse või tootesse veenduge, et aku ja akulaadija klemmid oleksid puhtad.

Veatsing

Kasutajaliides

Kasutajaliides	Võimalikud tõrked	Võimalik lahendus
Punane tõrke LED-tuli vilgub.	Temperatuuri kõrvalekalle.	Laske tootel maha jahtuda.
	Toru või ventilaatori kate on eemaldatud.	Pange toru või ventilaatori kate kokku.
	Aku tõrge.	Vahetage aku välja või laadige seda.
	Toode vajab hooldust.	Pöörduge hooldusesindusse.
Toode ei käivitu.	Mustus aku-konktoritel.	Puhastage suruõhu või pehme pintsliga.

Aku

LED-näidik	Võimalikud tõrked	Võimalik lahendus
Roheline LED-tuli vilgub.	Aku pinge on madal.	Laadige akut.

LED-näidik	Võimalikud tõrked	Võimalik lahendus
Törke-LED-tuli vilgub.	Temperatuuri kõrvalekalle.	Kasutage akut keskkonnas, mille temperatuur jääb vahemikku – 10...40°C (14...104°F).
	Liiga suur pinge.	Veenduge, et toiteallika võrgupinge vastab toote andmesildil märgitud pingega. Vaadake toote andmesilti.
		Eemaldage aku laadijast.
Törke LED-tuli süttib.	Liiga suur elementide erinevus (1V).	Pöörduge hooldusesindusse.

Akulaadija

Seisukord	Võimalikud tõrked	Võimalik tegevus
Laadimist tähistav LED-tuli on punane.	Akulaadija püsiv tõrge.	Pöörduge edasimüüja poole.
Laadimist tähistav LED-tuli vilgub röheliselt.	Vale temperatuur, aku on laadimiseks liiga külm või liiga kuum.	Laske akul jahtuda või soojeneda. Kui aku on saavutanud õige temperatuuri, saab seda uuesti kasutada või laadida. Kasutage akulaadijat keskkonnas, mille temperatuur jääb vahemikku 5...40 °C.
Laadimist tähistav LED-tuli vilgub punaselt.	Aku rike	Pöörduge edasimüüja poole.

Transportimine, hoiulepanek ja utiliseerimine

Transportimine ja hoiustamine

- Tarnitud liitiumioonakud vastavad ohtlike ainete eeskirjade nõuetele.
- Täitke kaubanduslikule transpordile kehtestatud pakendamise ja märgistamise erinõudeid (sh kolmandate osapoolte või ekspediitorite teenuseid kasutades).
- Enne seadme lähetamist konsulteerige isikuga, kes on läbinud ohtlike ainete käitlemise alase erikoolituse. Järgige kõiki kehtivaid riiklikke eeskirju.
- Enne aku pakendisse asetamist katke lahtised kontaktid isoleerteibiga. Asetage aku pakendisse tihkelt, et see ei saaks liikuma hakata.
- Enne masina hoiukohta panekut laske sellel alati jahtuda.
- Hoiustamise ja transpordi ajaks tuleb aku eemaldada.
- Asetage aku ja akulaadija kohta, mis on kuiv ja mida ei ähvarda niiskus ega jäätumine.
- Ärge hoidke akut kohas, kus võib tekkida staatiline elekter. Ärge hoidke akut metallkastis.
- Hoidke akut ruumis, mille temperatuur püsib vahemikus 5...25°C (41...77°F) ja kus aku on varjatud otsese päikesevalguse eest.
- Hoidke akulaadijat ruumis, mille temperatuur püsib vahemikus 5...45°C (41...113°F) ja kus akulaadija on varjatud otsese päikesevalguse eest.
- Kasutage akulaadijat üksnes juhul, kui ümbritsev temperatuur on vahemikus 5...40°C.
- Laadige enne aku pikemaajalist hoiustamist see 30–50% ulatuses täis.
- Hoidke akulaadijat ruumis, mis on suletud ja kuiv.
- Ladustamisel hoidke aku akulaadijast eemal. Ärge lubage lastel ja teistel volitamata isikutel seadmeid puutuda. Hoidke seadmeid lukustatavas ruumis.
- Enne seadme pikemaajalist hoiustamist puhastage seade ja tehke sellele täishooldus.
- Transportimise ja hoiustamise ajal kasutage tootel olevat transpordikaitset, et vältida inimeste kehavigastusi ja toote kahjustusi.
- Kinnitage seade transpordi ajaks turvaliselt.

Aku, akulaadija ja seadme kasutuselt kõrvaldamine

Allolev sümbol tähendab, et seade ei kuulu olmejäätmete hulka. Toimetage see elektri- ja elektroonikajäätmete vastuvõtupunkti. Nii aitate vältida keskkonna ja inimeste kahjustamist.

Lisateavet küsige kohalikelt ametkondadelt, olmejäätmete käitlejatelt või edasimüüjal.



Märkus: Sümbol asub tootel või toote pakendil.

Tehnilised andmed

Tehnilised andmed

	120IBV
Mootor	
Mootori tüüp	BLDC (harjadeta) 36 V
Kaal	
Kaal ilma akuta (kg)	4,6
Müratasemed ⁴⁶	
Helivõimsuse tase, mõõdetud dB(A)	97
Helivõimsuse tase, garanteeritud L _{WA} dB(A)	100
Helitasemed ⁴⁷	
Ekvivalentne helirõhutase kasutaja kõrva juures, mõõdetud EN ISO 11203 ja ISO 22868 järgi, dB (A):	84
Vibratsioonitase ⁴⁸	
ISO 22867 järgi mõõdetud eesmise/tagumise käepideme vibratsioonitase- med, m/s ²	1,4/1,7
Ventilaatori jõudlus	
Õhuvool tavarežiimil standardotsakuga, m ³ /min	6,7
Suurim õhukiirus tavarežiimil standardotsakuga, m/s	50

Müra- ja vibratsioonandmed on määratletud maksimaalse nimikiiruse järgi.

Heakskiidetud akud

Kasutage selle tootega ainult ettevõtte Husqvarna originaalakusid 40-B.

⁴⁶ Müraemissioon ümbritsevasse keskkonda, mõõdetud helivõimsuse tasemena (L_{WA}) vastavalt EÜ direktiivile 2000/14/EÜ Seadme antud müratase mõõdeti enim müra tekitava originaalõikeosa kasutamisel. Erinevus garanteeritud ja mõõdetud helivõimsustaseme vahel seisneb selles, et direktiivi 2000/14/EÜ alusel hõlmab garanteeritud helivõimsustase ka mõõtmistulemuste dispersiooni ja kõrvalekaldeid sama mudeli erinevate seadmete vahel.

⁴⁷ Antud andmetel seadme helitugevuse taseme ekvivalendi kohta on statistiline tüüplevi 3 dB(A) (standardne kõrvalekalle).

⁴⁸ Vibratsioonitase kohta toodud andmete tüüpiline statistiline dispersioon (standardhälve) on 1,5 m/s².

Heakskiidetud akud

Aku	40-B140
Tüüp	Liitiumioonaku
Aku mahtuvus, Ah	4
Nimipinge, V	36
Kaal, kg	1,25

Heakskiidetud akulaadijad

Akulaadija	40-C80
Toitevõrgu pinge, V	100-240
Sagedus, Hz	50-60
Võimsus, W	72
Väljundpinge, alalisvool, V / amprit, A	43/1,6

Vastavusdeklaratsioon

EL-i vastavusdeklaratsioon

Husqvarna AB, SE-561 82 Huskvarna, ROOTSI, tel: +46
3614 6500, kinnitab ainuvastutusel, et toode:

Kirjeldus	Käeshoitav aiapuhur/-imur
Kaubamärk	Husqvarna
Tüüp/mudel	120iBV
Identifitseerimine	Seerianumbrid alates 2022. aastast ja hilisemad

vastab täielikult järgmistele EÜ direktiividele ja määrustele:

Määrus	Kirjeldus
2006/42/EÜ	„masinadirektiiv“
2014/30/EL	„elektromagnetilise ühilduvuse direktiiv“
2011/65/EL	„elektri- ja elektroonikaseadmetes teatavate ohtlike ainete kasutamise piiramise direktiiv“
2000/14/EÜ	„seadmete müra kohta käiv direktiiv“

ja et kohalduvad järgmised standardid
ja/või tehnilised spetsifikatsioonid: EN
60335-1:2012+A11+A13+A14+A2+A15, EN
50636-2-100:2014, EN IEC 63000:2018, EN ISO
12100:2010, EN IEC 55014-1:2021; EN IEC
55014-2:2021

Vastavalt direktiivile 2000/14/EÜ, V lisa, vt jaotist
Tehnilised andmed lk 288 deklareeritud heliväärtuste
kohta teabe saamiseks.

Huskvarna, 2023-01-16



Claes Losdal, Husqvarna AB uurimis- ja arendusjuht
Tehnilise dokumentatsiooni eest vastutaja

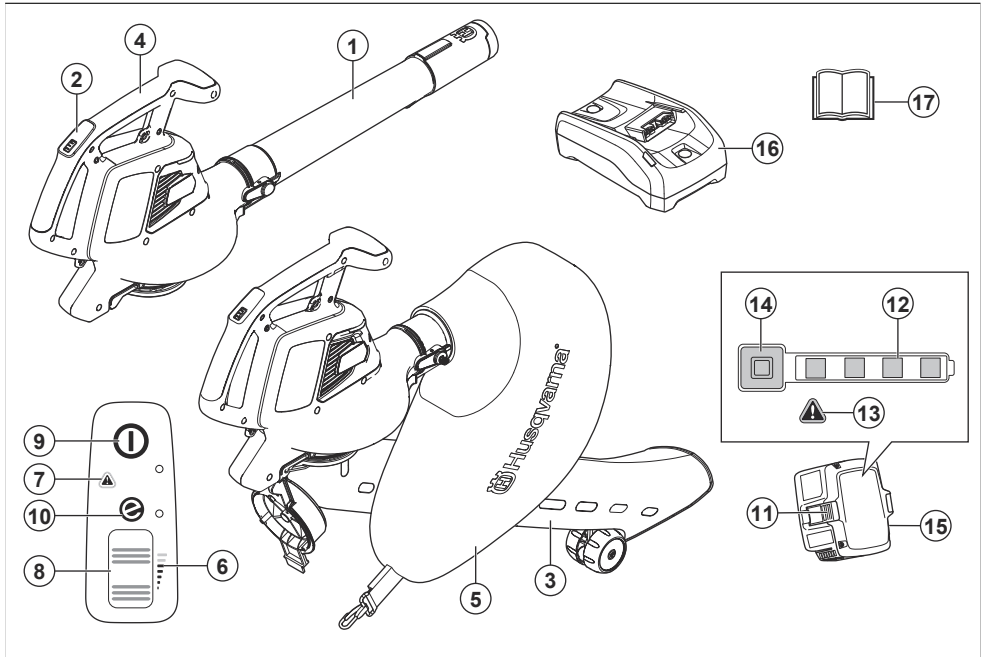


Saturs

Ievads.....	291	Problēmu novēršana.....	304
Drošība.....	293	Pārvadāšana, glabāšana un utilizēšana.....	305
Montāža.....	298	Tehniskie dati.....	306
Lietošana.....	300	Atbilstības deklarācija.....	308
Apkope.....	302		

Ievads

Izstrādājuma pārskats



1. Pūtēja caurule
2. Tastatūra
3. Sūcēja caurule
4. Rokturis
5. Savākšanas maiss
6. Gaisa plūsmas indikators
7. Brīdinājuma indikators (klūdas LED)
8. Jaudas regulators
9. Ieslēgšanas/apturēšanas poga
10. SavE indikators
11. Akumulatora atvienošanas poga
12. Akumulatora statuss
13. Brīdinājuma indikators (klūdas LED)
14. Darbības un brīdinājuma indikators
15. Akumulators, iekļauts tikai Husqvarna 120iBV pūtēja komplektācijā
16. Akumulatora lādētājs, iekļauts tikai Husqvarna 120iBV pūtēja komplektācijā
17. Lietošanas rokasgrāmata

Izstrādājuma apraksts

Husqvarna 120iBV ir dārza pūtēja/sūcēja modelis ar elektromotoru.

Mēs pastāvīgi strādājam, lai pilnveidotu savus izstrādājumus, un tāpēc paturam tiesības izdarīt izmaiņas, piemēram, izstrādājumu formai un izskatam, bez iepriekšēja paziņojuma.

Paredzētā lietošana

Pūtēja režīms: Pūtējs paredzēts grūzu vai noplautās zāles atlieku nopūšanai no ceļiem, piebraucamajiem ceļiem, pagalmiem un tamlīdzīgām vietām. Tas paredzēts arī noplautās zāles, salmu vai lapu pūšanai, lai veidotu kaudzes vai grūzu izpūšanai no stūriem, savienojumiem vai spraugām starp fižēm vai kļeģeļiem.

Sūcēja režīms: Sūcēja režīms ir paredzēts sausa materiāla iesūcēi. Ir iespējams iesūkt lapas, zāli, mazus zarus un papīra gabaliņus.

Simboli uz izstrādājuma



BRĪDINĀJUMS. Šis izstrādājums var būt bīstams un radīt smagas vai nāvējošas traumas operatoram vai citām personām. Esiet uzmanīgi un lietojiet izstrādājumu pareizi.



Rūpīgi izlasiet šo lietotāja rokasgrāmatu un pirms šī izstrādājuma lietošanas pārlicinieties, vai izprotat norādījumus.



Izmantojiet apstiprinātus acu aizsarglīdzekļus.



Spriegums, V



Līdzstrāva.



Trokšņa emisijas vidē uzlīme atbilstoši ES un Apvienotās Karalistes direktīvām un noteikumiem, kā arī Jaundienvidvēlšanas tiesību aktam "Darba vides aizsardzības (trokšņa kontroles) regula (2017)". Izstrādājuma garantētais skaņas jaudas līmenis ir norādīts *Tehniskie dati lpp. 306* un uz etiķetes.



Pirms tehniskās apkopes atvienojiet akumulatoru.



Izstrādājums vai iepakojums nav sadzīves atkritumi. Utilizējiet to elektrisko un elektronisko ierīču pārstrādes uzņēmumā.



Šis izstrādājums atbilst piemērojamo EK direktīvu prasībām.



Šis izstrādājums atbilst spēkā esošajiem AK regulām.



Nepakļaujiet ierīci lietus iedarbībai.



Uzgaidiet, līdz rotora lāpstīņas apstājas pēc ierīces izslēgšanas.



Izmantojiet izstrādājumu sūcēja režīmā tikai tad, ja caurule ir pilnībā samontēta.



Pūtēja lietotājam jānodrošina, lai citi cilvēki vai dzīvnieki neatrastos darba vietai tuvāk par 15 metriem. Ja vairāki ierīces lietotāji strādā vienā darba vietā, drošības attālumam ir jābūt ne mazākam par 15 metriem. Pūtējs ar lielu spēku var izsviest priekšmetus, kas, atsitoties, var atlikt. Nelietojot atbilstošu drošības aprīkojumu, tas var radīt smagas acu traumas.



yyyy wwx000x

Datu plāksnītē ir norādīts sērijas numurs. yyyy ir ražošanas gads, ww ir ražošanas nedēļa.

Piezīme: Pārējie uz ierīces norādītie simboli/norādes atbilst noteiktu valstu sertifikācijas prasībām.

Simboli uz akumulatora un/vai akumulatora lādētāja



Utilizējiet šo izstrādājumu elektrisko un elektronisko ierīču pārstrādes uzņēmumā. (Attecas vienīgi uz Eiropu)



Bezattēces transformators.



Lietojiet un uzglabājiet akumulatoru lādētāju tikai iekšējā telpā.



Dubultā izolācija.

Ražotājs

Husqvarna AB

Drottninggatan 2, SE-561 82 Huskvarna

Produkta bojājumi

Mēs neatbildam par mūsu produkta bojājumiem, ja:

- ir veikts nepareizs produkta remonts;
- produkta remonts ir veikts, izmantojot detaļas, ko nav nodrošinājis vai apstiprinājis ražotājs;
- produktam tiek pievienots piederums, ko nav nodrošinājis vai apstiprinājis ražotājs;
- produkta remonts nav veikts pilnvarotā remontdarbnīcā vai pie pilnvarota speciālista.

Drošība

Drošības definīcijas

Brīdinājumi, norādes "Uzmanību!" un piezīmes tiek izmantotas, lai izceltu īpaši svarīgas lietotāja rokasgrāmatas daļas.



BRĪDINĀJUMS: Tiek izmantota tad, ja rokasgrāmatā sniegto instrukciju neievērošanas dēļ operatoram vai blakus esošajām personām draud traumu vai nāves risks.



IEVĒROJIET: Tiek izmantota tad, ja rokasgrāmatā sniegto instrukciju neievērošanas dēļ rodas izstrādājuma un/vai papildaprīkojuma, citu materiālu vai blakus esošās teritorijas bojājuma risks.

Piezīme: Tiek izmantota, lai sniegtu plašāku informāciju, kas nepieciešama attiecīgajā situācijā.

Vispārīgi drošības norādījumi



BRĪDINĀJUMS: Pirms izstrādājuma lietošanas izlasiet tālāk izklāstītos brīdinājumus.

- Rūpīgi izlasiet norādījumus par izstrādājuma vadības ierīcēm un tā pareizu lietošanu. Nepareiza vai pavirša izstrādājuma lietošana var pārvērst to par bīstamu darbarīku, kas savukārt var radīt smagas vai pat nāvējošas traumas operatoram vai citiem.
- Nekādā gadījumā bez ražotāja atļaujas nedrīkst mainīt šī izstrādājuma konstrukciju. Nekad nelietojiet izstrādājumu, kas ir pārveidots, neievērojot sākotnējo specifikāciju, un vienmēr izmantojiet tikai oriģinālos piederumus. Neatļautas izmaiņas un/vai neatļauti piederumi var radīt smagas vai nāvējošas traumas izstrādājuma lietotājam un citiem. Jūsu garantija, iespējams, neattiecas uz bojājumiem vai atbildību, ko ir izraisījis nesankcionētu piederumu vai rezerves daļu lietošana.

- Šis izstrādājums darbības laikā rada elektromagnētisko lauku. Zināmos apstākļos šis lauks var traucēt aktīvā vai pasīvā medicīniskā implantāta darbību. Lai samazinātu smagas vai letālas traumas risku, mēs iesakām personām, kurām ir medicīniskie implantāti, pirms šī izstrādājuma lietošanas konsultēties ar savu ārstu un medicīniskā implantāta ražotāju.
- Pirms uzlādes izņemiet no ierīces akumulatoru.

Vispārīgi drošības brīdinājumi par elektriskā darbarīka lietošanu

Pārbaude pirms iedarbināšanas

- Pārbaudiet darba zonu. Neņemiet visus vaļīgos priekšmetus, ko var aizmest pa gaisu, piemēram, akmeņus, stikla lauskas, naglas, tērauda stiepli, auklas utt.
- Lai novērstu iekārtas nejaušas iedarbināšanas risku, vienmēr izņemiet akumulatoru. Pirms iekārtas tehniskās apkopes vienmēr atvienojiet akumulatoru.
- Pirms iekārtas lietošanas un pēc triecieniem pārbaudiet, vai iekārtai nav novērojams nodilums vai bojājumi un veiciet atbilstošos remontdarbus.
- Vienmēr izmantojiet tikai oriģinālās detaļas.
- Mašīnas lietotājam jānodrošina, lai citi cilvēki vai dzīvnieki darba laikā neatrastos darba vietai tuvāk par 15 metriem. Ja vairāki operatori strādā vienā darba vietā, drošības attālumam starp tiem jābūt ne mazākam par 15 metriem.
- Pirms lietošanas veiciet mašīnai vispārējo pārbaudi, skat. apkopes grafiku.
- Uz lietošanu var attiekties valsts vai vietējie noteikumi. Ievērojiet norādītos noteikumus.

Individuālā aizsardzība

- **Lietojot elektrisko darbarīku, ievērojiet piesardzību, pārdomājiet savas darbības un rīkojieties saprātīgi. Nelietojiet elektrisko darbarīku, kad esat noguris, kā arī narkotiku, alkohola vai zāļu iespaidā.** Acumirkliņa neuzmanība strādājot ar elektrisko darbarīku var radīt smagas traumas.

- Nepieļaujiet citu personu atrašanās darba zonā.
- Ierīci nedrīkst lietot personas (tostarp bērni) ar ierobežotām fiziskām, maņas vai garīgajām spējām un nepietiekamu pieredzi vai zināšanām, izņemot gadījumus, kad par šo personu drošību atbildīgā persona šīs personas uzrauga vai ir atbilstoši instruējusi. Neļaujiet bērniem spēlēties ar šo ierīci.
- Nekādā gadījumā neļaujiet lietot ierīci bērniem vai cilvēkiem, kas nepārzina šos norādījumus. Vietējie normatīvi var ierobežot operatora vecumu.
- Nepieļaujiet nepiederošu personu tuvošanos. Bērniem, dzīvniekiem, skatītājiem un palīgiem jāatrodas ārpus drošības zonas — vismaz 15 metru (50 pēdu) attālumā. Ja kāds tuvojas, nekavējoties apturiet ierīci.
- Uzglabājiet ierīci noslēdzamā vietā, kas nav pieejama bērniem un nepiederošām personām.
- Nedarbiniet ierīci uz bruģētas vai grants virsmas, kur gaisā izsviestie priekšmeti var radīt traumas.
- Ierīces lietošanas laikā vienmēr valkājiet atbilstošus apavus un garas bikses. Nelietojiet ierīci, ja kājas ir basas vai valkājāt vaļējas sandales. Nav ieteicams valkāt vaļīgu apģērbu vai apģērbu ar vaļīgām šņorēm un saitēm.
- Nevalkājiet vaļīgu apģērbu vai rotaslietas, kas var tikt ierautas gaisa iepļūdes atverē. Netuviniet garus matus gaisa iepļūdes atverēm.
- Nekad nelietojiet ierīci, ja esat noguruši, ja dzerti alkoholistiski dzērieni, vai lietojat medikamentus, kas var ietekmēt redzi, spriestspējas vai koordināciju.
- Lietojiet individuālos aizsarglīdzekļus. Skatiet norādījumus sadaļā "Individuālie aizsarglīdzekļi".
- Nododot ierīci citai personai, vienmēr izņemiet akumulatoru.
- Atcerieties, ka jūs kā operators esat atbildīgs par cilvēku vai viņu īpašuma aizsardzību pret nelaimes gadījumiem vai apdraudējumu.

Elektriskā darbarīka lietošana un uzturēšana

- Nekad nelietojiet iekārtu, kas ir pārveidota tā, ka neatbilst sākotnējai specifikācijai. Iekārtu nedrīkst lietot sprādzienbīstamu vai viegli uzliesmojošu vielu tuvumā.
- Nekad nelietojiet bojātu ierīci. Ievērojiet šajā rokasgrāmatā aprakstītās drošības pārbaudes, tehniskās apkopes un remonta instrukcijas. Dažus apkopes un remonta darbus drīkst veikt tikai apmācīti un kvalificēti speciālisti. Skatīt norādījumus zem virsraksta "Apkope".
- Vienmēr izmantojiet tikai oriģinālās detaļas.
- Vienmēr pārbaudiet, vai iekārtas ventilācijas spraugas nav aizsērējušas.
- Pirms iedarbināšanas jābūt piestiprinātiem visiem pārsegumiem, aizsargiem un rokturiem.
- Izmantojiet mašīnu tikai dienas gaismā vai citā labi apgaismotā teritorijā.

- Nelietojiet mašīnu sliktos laikapstākļos, piemēram, miglā, lietū, slapjās vai mitrās vietās, stiprā vējā, lielā aukstumā, pērkona negaisa laikā u.c. Ārkārtīgi karsts laiks var izraisīt mašīnas pārkaršanu. Darbs to sliktos laikapstākļos ir nogurdinošs un var rasties bīstami apstākļi, piemēram, slidenas virsmas.
- Ja iekārtai rodas normām neatbilstoša vibrēšana, apturiet to un izņemiet akumulatoru.
- Ejiet, nekādā gadījumā neskrīniet.

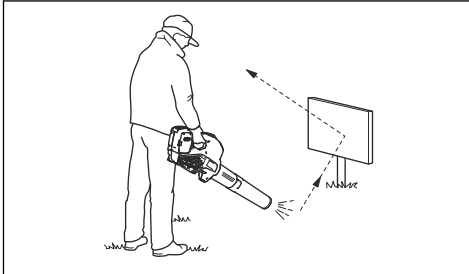
Darba drošības norādījumi



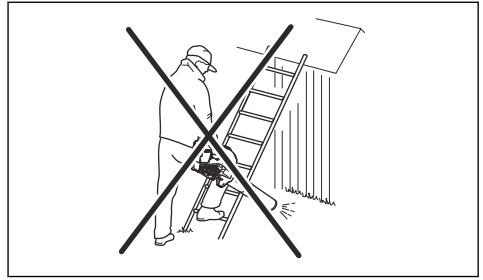
BRĪDINĀJUMS: Pirms izstrādājuma lietošanas izlasiet tālāk izklāstītos brīdinājumus.

- Ja ir radusies situācija, kurā nezināt, kā rīkoties, lūdziet padomu speciālistam. Sazinieties ar izplatītāju vai apkopes darbnīcu. Izvairieties no lietošanas paņēmieniem, kurus nepārvaldāt.
- Pārļiecinieties, vai varat droši pārvietoties un stāvēt. Pārbaudiet, vai tuvumā nav šķēršļu (saknes, akmeņi, zari, bedres utt.), kas var traucēt, ja pieeši nepieciešams pārvietoties. Ievērojiet īpašu piesardzību, strādājot nogāzēs.
- Vienmēr turiet līdzsvaru un stāviet stabili. Nesniedzieties pārāk tālu.
- Lietojot dzirdes aizsarglīdzekļus, vienmēr uzmanīgi klausieties, lai sadzirdētu brīdinājumu signālus vai saucienus. Kad izstrādājums apstājas, vienmēr noņemiet dzirdes aizsarglīdzekļus.
- Nelietojiet izstrādājumu atvērtu logu tuvumā.
- Cieniet apkārtējos, tādēļ strādājiet ar ierīci piemērotā laikā, nevis, piemēram, agrī no rīta vai vēlu vakarā, kad tas var traucēt citus. Ievērojiet vietējos likumus un noteikumus.
- Darbiniet ierīci ar iespējami mazāku gaisa plūsmu. Ir samērā reti nepieciešams darbināt pūtēju ar pilnu gaisa plūsmu; daudzus darbus var paveikt ar daļēju gaisa plūsmu. Mazāka gaisa plūsma nozīmē mazāk trokšņa un putekļu, turklāt tā ir arī vieglāk vadīt savāktos un pārvietotos gūžus.
- Putekļainos apstākļos, izstrādājuma izmantošanas laikā nedaudz samitriniet virsmu.
- Ar grābekli vai slotu atbrīvojiet zemē ieķērušos gūžus.
- Turiet pūtēja atveri, iespējami tuvu zemei.
- Novērojiet apkārtni. Nevērsiet ierīci cilvēku, dzīvnieku, spēļu laukumu vai automobiļu u.c. virzienā.
- Samaziniet pūšanas laiku, viegli samitrinot putekļainās vietas vai izmantojot smidzināšanas iekārtu.
- Strādājot ņemiet vērā vēja virzienu. Lai atvieglotu darbu, strādājiet vēja virzienā.
- Ja ierīce sāk neparasti vibrēt, apturiet to un izņemiet akumulatoru.
- Pūtēja izmantošana lielu kaudžu pārvietošanai ir laikietilpīga un rada nevajadzīgu troksni.

- Pēc lietošanas notīriet ierīci! Uzmanieties, lai gruzi netiktu iepūsti citu cilvēku dārzā.
- Neskrieniet ar ierīci rokās.
- Spēcīgās gaisa plūsmas var pārvietot priekšmetus tik lielā ātrumā, ka tie var atlēkt un radīt smagas acu traumas.



- Nevērsiet gaisa plūsmu citu cilvēku vai dzīvnieku virzienā.
- Pirms piederumu vai citu sastāvdaļu uzstādīšanas vai noņemšanas apturiet motoru.
- Uzmanieties, lai ķermeņa daļas neatrastos karstu virsmu tuvumā.
- Nekad nelieciet zemē izstrādājumu, kas darbojas, ja nevarat to uzraudzīt.
- Apturiet ierīci un izņemiet akumulatoru. Pārliecinieties, ka visas kustīgās detaļas ir pilnībā apstājušās šādos gadījumos:
 - vienmēr, kad atstājat ierīci;
 - pirms nosprostojumu atīrīšanas vai teknes attīrīšanas;
 - pirms ierīces pārbaudes, tīrīšanas vai izmantošanas.
- Nekavējoties izslēdziet barošanu un ļaujiet ierīcei apstāties, ja griešanas mehānisms atduras pret svešķermeņiem, atskan neparasts troksnis vai rodas vibrācija. Atvienojiet akumulatoru no ierīces un pirms tās atkārtotas ieslēgšanas un lietošanas rīkojieties šādi:
 - pārbaudiet, vai nav bojājumu;
 - nomainiet bojātās detaļas vai saremontējiet tās;
 - pārbaudiet, vai nav vaļīgu detaļu, un pievelciet tās, ja nepieciešams.
- Izslēdziet barošanas avotu un atvienojiet ierīci no akumulatora pirms nevēlama materiāla notīrīšanas, ja ierīce tiek nosprostota.
- Šo ierīci nedrīkst pārvadāt, ja darbojas barošanas avots.
- Ierīci nedrīkst sasvērt, ja darbojas barošanas avots.
- Pūteju nedrīkst lietot uz kāpnēm vai sastatnēm.



- Nelietojiet izstrādājumu, ja nav iespējams pasaukt palīdzību nelaimes gadījumā.
- Sargieties no izviesiem priekšmetiem. Akmeņi, nēirumi u.c. var tikt izviesti un trāpīt acīs, tādējādi izraisot aklumu vai citas smagas traumas.
- Uzlādējot izstrādājumu, lielākai drošībai izmantojiet paliekošās strāvas ierīci (residual-current device, RCI). Paliekošās strāvas ierīce tiek uzstādīta, lai aizsargātu operatoru elektrosistēmas kļūmes gadījumos.
- Šai ierīcei ir raksturīgs ļoti zems vibrāciju līmenis. Personām ar asinsrites traucējumiem pārmērīga atrašanās vibrācijas ietekmē var negatīvi ietekmēt asinsriti vai nervu sistēmu. Ja jūtat pārmērīgas vibrāciju ietekmes simptomus, apmeklējiet ārstu. Simptomi var būt šādi: nejutīgums, tirpšana, dūrieni, sāpes, spēka zudums, ādas krāsas vai stāvokļa izmaiņas. Šie simptomi parasti ir novērojami pirkstiem, rokām vai locītavām.
- Izmantojiet izstrādājumu tikai paredzētajiem mērķiem.
- Ņemiet vērā, ka visas iespējamās situācijas nav iespējams paredzēt. Vienmēr esiet piesardzīgi un izmantojiet veselo saprātu. Izvairieties no situācijām, kurās nejutaties īsti pārliecināti par notiekošo vai veicamajām darbībām. Ja pēc šo norādījumu izlasīšanas joprojām šaubāties par notiekošo vai veicamajām darbībām, pirms turpmākas rīcības konsultējieties ar kādu ekspertu.

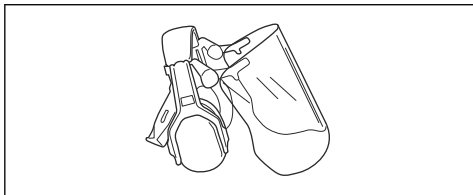
Individuālie aizsarglīdzekļi



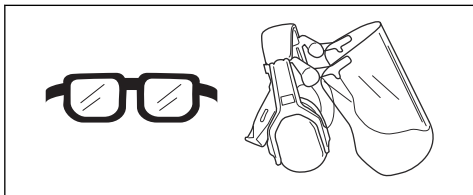
BRĪDINĀJUMS: Pirms izstrādājuma lietošanas izlasiet tālāk izklāstītos brīdinājumus.

- Izmantojot izstrādājumu, vienmēr lietojiet apstiprinātus individuālos aizsarglīdzekļus. Šādi līdzekļi nevar pilnībā novērst traumu gūšanas risku, taču samazina traumu smaguma pakāpi, ja negadījums tomēr notiek. Ļaujiet izplafītajam palīdzēt jums izvēlēties pareizo aprīkojumu.
- Ilgstoša uzturēšanās troksnī var bojāt dzirdi. Ar akumulatoriem darbināmas ierīces kopumā ir salīdzinoši klusas, taču bojājumus var radīt trokšņa līmenis apvienojumā ar ilgstošu iedarbību. Iesaka operatoriem lietot dzirdes aizsarglīdzekļus, ja ierīce tiek lietota ilgstoši. Ja lietotājs ar ierīci strādā ilgstoši

un regulāri, viņam ir regulāri jāpārbauda dzirde. Nemiet vērā to, ka dzirdes aizsarglīdzekļi ierobežo iespēju dzirdēt skaņas un brīdinājuma signālus.



- Izmantojiet apstiprinātus acu aizsarglīdzekļus. Apstiprinātas aizsargbrilles ir jālieto arī tad, ja tiek izmantots seļsegs. Apstiprinātas aizsargbrilles ir tādas, kas atbilst ASV standarta ANSI Z87.1 ASV vai standarta EN 166 prasībām ES valstīs.



- Lietojiet izturīga auduma apģērbu. Vienmēr valkājiet biezas, garas bikses un apģērbu ar garām piedurknēm. Nevalkājiet vaļīgu apģērbu, kas viegli var iekerties krūmos un zaros. Nenēsāji rotaslietas, nevelciet šortus, sandales un nestrādājiēt basām kājām. Sakārtojiet matus droši virs pleciem.
- Gādājiēt, lai tuvumā būtu pirmās palīdzības piederumi.



- Strādājiēt putekļainā vidē, jālieto elpošanas aizsargmaska.

Izstrādājuma drošības ierīces



BRĪDINĀJUMS: Pirms izstrādājuma lietošanas izlasiet tālāk izklāstītos brīdinājumus.

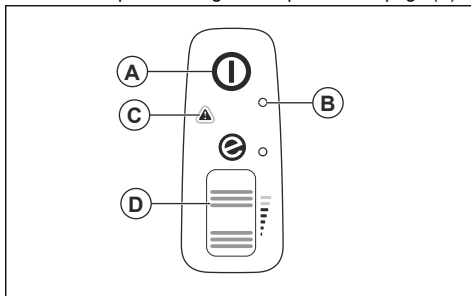
- Šajā sadaļā ir izskaidrotas izstrādājuma drošības funkcijas, tā nolūks un veidi, kā tiek veikta tā pārbaude un apkope, lai garantētu izstrādājuma pareizu darbību. Skatiet norādījumus nodaļā ar virsrakstu *Izstrādājuma pārskats lpp. 291* lai uzzinātu, kur izstrādājumā atrodas šīs daļas.
- Šī izstrādājuma darbmūžs var saīsināties un var palielināties nelaiemes gadījumu risks, ja izstrādājuma apkope netiek veikta pareizi un ja apkope un/vai remonts netiek veikts profesionāli. Ja nepieciešama

papildu informācija, sazinieties ar tuvāko izplatītāju, kas nodrošina apkopi.

- Nekādā gadījumā nelietojiet izstrādājumu ar bojātu drošības aprīkojumu. Izstrādājuma drošības aprīkojums ir jāpārbauda un jāuztur, pamatojoties uz šajā nodaļā izklāstīto informāciju. Ja izstrādājums neatbilst iepriekš aprakstīto pārbaudu prasībām, sazinieties ar vietējo remontdarbnieku, lai izstrādājumu saremontētu.
- Izstrādājuma apkopi un remontu drīkst veikt tikai īpaši apmācīti tehniķi. Tas jo īpaši attiecas uz izstrādājuma drošības aprīkojumu. Ja jūsu izstrādājums neatbilst tālāk aprakstīto pārbaudu prasībām, sazinieties ar apkopes pakalpojumu nodrošinātāju. Jebkura mūsu izstrādājuma iegāde garantē profesionāla remonta un apkopes pieejamību. Ja mazumtirgotājs, pie kura iegādājāties izstrādājumu, nav apkopi veicošs izplatītājs, uzziniet no viņa tuvākā apkopes veicēja adresi.

Tastatūras pārbaude

- Turiet nospiestu ieslēgšanas/apturēšanas pogu (A).



- Izstrādājums ir ieslēgts, ja iedegas gaismas diode (B)
 - Izstrādājums ir izslēgts, ja gaismas diode (B) nedeg.
- Skatiet šeit: *Lietotāja saskarne lpp. 304* ja iedegas vai mirgo brīdinājuma indikators (C).
 - Nospiediet un atlaidiet jaudas regulatoru (D), lai pārliecinātos, ka tas brīvi kustas.

Akumulatora drošība



BRĪDINĀJUMS: Pirms izstrādājuma lietošanas izlasiet tālāk izklāstītos brīdinājumus.

- Izmantojiet tikai tos 40-B sērijas akumulatorus, kas ieteikti jūsu izstrādājumam. Skatiet šeit: *Apstiprinātie akumulatori lpp. 306*. Akumulatoriem ir šifrēta programmatūra.
- Kā barošanas avotu izmantojiet tikai 40-B sērijas uzlādējamus akumulatorus saistītajiem Husqvarna izstrādājumiem. Lai nepieļautu traumu gūšanas risku, akumulatoru nedrīkst izmantot kā citu izstrādājumu strāvas avotu.

- Elektriskās strāvas trieciena risks. Nesavienojiet akumulatora spaiļes ar atslēgām, skrūvēm vai citiem metāla priekšmetiem. Tas var izraisīt akumulatora īssavienojumu.
- Neizmantojiet akumulatorus, kas nav uzlādējami.
- Neievietojiet nekādus priekšmetus akumulatora gaisa atverēs.
- Neglabājiet akumulatoru vietās, ka ir pakļautas tiešai saulesgaismai, karstumam vai atklātām liesmām. Akumulators var radīt apdegumus un/vai ķīmiskos apdegumus.
- Akumulatoru nedrīkst pakļaut lietus un mitruma ietekmei.
- Akumulatoru nedrīkst pakļaut mikroviļņu un augsta spiediena ietekmei.
- Akumulatoru nedrīkst izjaukt vai saspīst.
- Akumulatoru drīkst izmantot temperatūrā no -10 °C (14 °F) līdz 40 °C (104 °F).
- Neļūriet akumulatoru un tā lādētāju ar ūdeni. Skatiet šeit: *Produkta, akumulatora un akumulatora lādētāja tīrīšana lpp. 303.*
- Nelietojiet defektīvu vai bojātu akumulatoru.
- Uzglabājiet akumulatorus vietā, kur tuvumā nav metāla priekšmetu, piemēram, naglu, skrūvju vai rotaslietu.
- Sargiet akumulatoru no bērniem.

Akumulatora lādētāja drošības norādes



BRĪDINĀJUMS: Pirms izstrādājuma lietošanas izlasiet tālāk izklāstītos brīdinājumus.

- Ja drošības instrukcijas netiek ievērotas, pastāv elektriskās strāvas trieciena vai īssavienojuma risks.
- Neizmantojiet citus akumulatoru lādētājus, izņemot jūsu izstrādājumam paredzēto. Izmantojiet 40-C80 lādētājus tikai tad, ja lietojat Husqvarna 40-B140 uzlādējamus akumulatorus. Skatiet šeit: *Apstiprinātie akumulatoru lādētāji lpp. 307 un Apstiprinātie akumulatori lpp. 306.*
- Nemēģiniet demontēt akumulatora lādētāju.
- Nelietojiet defektīvu vai bojātu akumulatora lādētāju.
- Nevelciet akumulatora lādētāju aiz barošanas kabēļa. Lai akumulatora lādētāju atvienotu no elektroķīkla kontaktligzdas, velciet aiz kontaktspraudņa. Nevelciet aiz barošanas kabēļa.
- Uzmanieties, lai vadi un pagarinātāji nesaskartos ar ūdeni, eļļu un asām malām. Nodrošiniet, lai kabelis netiktu iespiests starp priekšmetiem, piemēram, durvīs, nožogojumos vai līdzīgās konstrukcijās.
- Nelietojiet akumulatora lādētāju viegli uzliesmojošu materiālu vai materiālu, kas var izraisīt koroziju,

tuvumā. Pārlicinieties, vai akumulatora lādētājs nav pārsegts. Ja konstatējat dūmus vai uguni, izraujiet akumulatora lādētāja kontaktspraudni.

- Uzlādējiet akumulatoru tikai tādās telpās, kur ir laba gaisa plūsma un kur akumulators nav pakļauts saules gaismas ietekmei. Neuzlādējiet akumulatoru ārpus telpām. Neuzlādējiet akumulatoru mitrumā.
- Akumulatora lādētāju izmantojiet tikai vietās, kur temperatūra ir no 5 °C (41 °F) līdz 40 °C (104 °F). Izmantojiet lādētāju labi vēdināmā un sausā vietā, kur nav putekļu.
- Neievietojiet nekādus priekšmetus akumulatora lādētāja dzesēšanas atverēs.
- Nekādā gadījumā akumulatora lādētāja spaiļes nesavienojiet ar metāla priekšmetiem, jo tas var izraisīt akumulatora lādētāja īssavienojumu.
- Izmantojiet apstiprinātas kontaktlīgzsas, kas nav bojātas. Pārlicinieties, vai akumulatora lādētāja vads nav bojāts. Ja tiek izmantoti pagarinātāji, pārlicinieties, vai tie nav bojāti.

Tehniskās apkopes drošības norādījumi



BRĪDINĀJUMS: Pirms veicat izstrādājuma apkopi, izlasiet brīdinājuma norādījumus.

- Kad ierīce ir apturēta, lai veiktu apkopi, pārbaudi, uzglabātu to vai mainītu piederumu. Ļaujiet ierīcei atdzist pirms jebkādu pārbaūžu veikšanas, regulēšanas utt. Rūpīgi uzturiet ierīci un turiet to tīru.
- Izņemiet akumulatoru, pirms veicat apkopi, citas pārbaudes vai uzstādāt izstrādājumu.
- Operators drīkst veikt tikai šajā lietotāja rokasgrāmatā norādītos apkopes un uzturēšanas darbus. Par plašākiem apkopes un uzturēšanas darbiem vaicājiet apkopes pakalpojumu nodrošinātājam.
- Lai garantētu izstrādājuma drošu darba stāvokli, pievelciet visus uzgriežņus, bultskrūves un skrūves.
- Nomainiet nodilušās vai bojātās daļas.
- Neveicot apkopi, samazinās izstrādājuma darbmūžu un palielinās nelaimes gadījumu risks.
- Īpaša apmācība ir nepieciešama visiem apkopes un remontdarbiem, it īpaši šī izstrādājuma drošības ierīcēm. Ja visas šajā lietotāja rokasgrāmatā norādītās pārbaudes netiek apstiprinātas pēc apkopes veikšanas, sazinieties ar apkopes pakalpojumu nodrošinātāju. Mēs garantējam profesionālu remontdarbu un apkopes pieejamību jūsu izstrādājumam.
- Vienmēr izmantojiet tikai oriģinālās detaļas.

Montāža

Pūtēja režīms



BRĪDINĀJUMS:

Rotora lāpstiņu griešanās vai izstrādājuma nejauša ieslēgšanās var radīt grieztu traumu. Izņemiet akumulatoru un uzgaidiet, līdz rotora lāpstiņas apstājas, pirms saliekat ierīci.

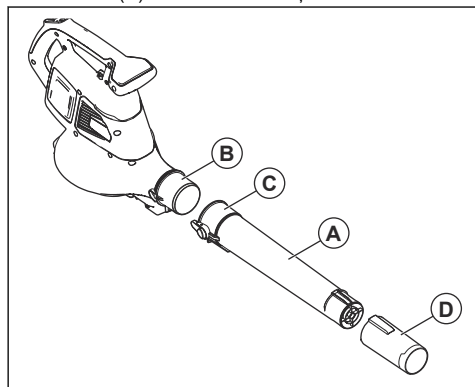


BRĪDINĀJUMS: Pirms ierīces lietošanas pūtēja režīmā pilnībā samontējiet pūtēja cauruli un iepļūdes pārsegu.

Pūtēja caurules montāža

Piezīme: Ja pūtēja caurule nav pareizi samontēta, drošības slēdzis neļaus pūtējam ieslēgties.

1. Uzbīdīet pūtēja cauruli (A) uz pūtēja izvada (B). Fiksators (C) saslēdzas ar klikšķi.

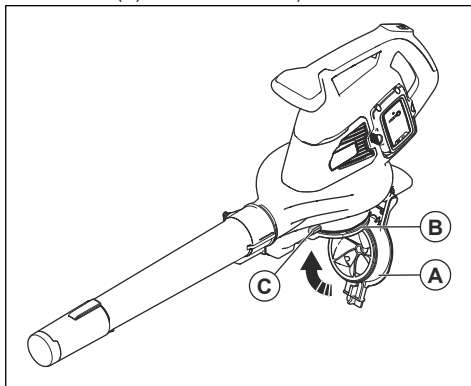


2. Uzstādiat pūtēja sprauslu (D) uz pūtēja caurules. Pūtēja caurule fiksējas, atskanot klikšķim.

Iepļūdes pārsega montāža

Piezīme: Ja iepļūdes pārsegs nav pareizi samontēts, drošības slēdzis neļaus pūtējam ieslēgties.

- Aizveriet iepļūdes pārsegu (A) uz pūtēja ievada (B). Fiksators (C) saslēdzas ar klikšķi.



Sūcēja režīms



BRĪDINĀJUMS: Pirms ierīces lietošanas sūcēja režīmā pilnībā samontējiet sūcēja cauruli un uzstādiat savākšanas maisu.

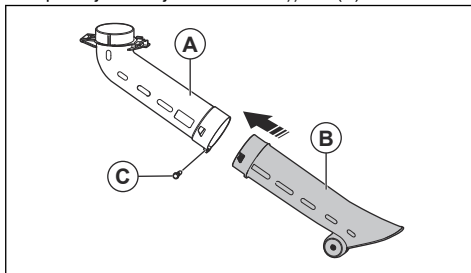
Sūcēja caurules montāža



BRĪDINĀJUMS: Pirms ierīces iedarbināšanas samontējiet augšējās un apakšējās sūcēja caurules.

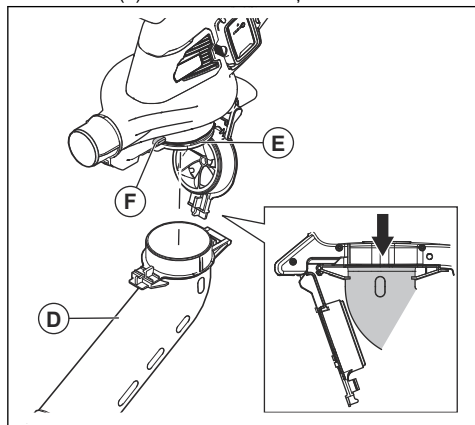
Piezīme: Ja sūcēja caurule nav pareizi samontēta, drošības slēdzis neļaus pūtējam ieslēgties.

1. Salāgojiet augšējās sūcēja caurules atveres (A) ar apakšējās sūcēja caurules izciļņiem (B).



2. Uzspiediet apakšējo sūcēja cauruli uz augšējās sūcēja caurules, līdz atskan klikšķis.
3. Pievelciet skrūvi (C).

4. Uztādīet sūcēja cauruli (D) uz sūcēja ievada (E). Fiksators (F) saslēdzas ar klikšķi.



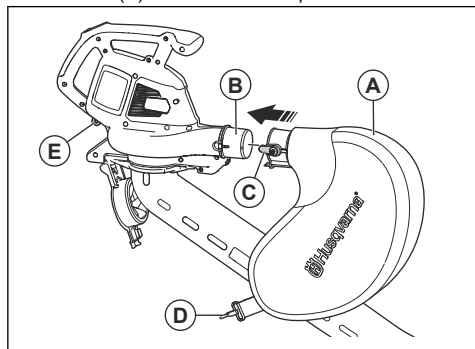
Savākšanas maisa montāža

Piezīme: Ja savākšanas maiss nav pareizi uzstādīts, drošības slēdzis neļauj ieslēgt ierīci.



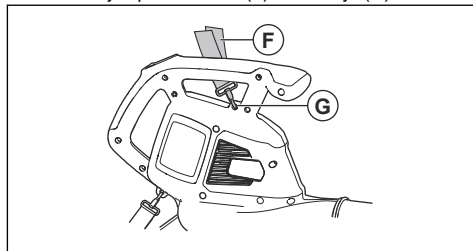
BRĪDINĀJUMS: Apturiet ierīci pirms maisa piestiprināšanas vai noņemšanas.

1. Noņemiet pūtēja cauruli, ja tā ir uzstādīta uz ierīces.
2. Uzbīdīet savākšanas maisu (A) uz sūcēja izvada (B). Fiksators (C) saslēdzas ar klikšķi.



3. Pievienojiet savākšanas maisa siksnu (D) ar turētāju (E).

4. Pievienojiet plecu siksnu (F) ar turētāju (G).



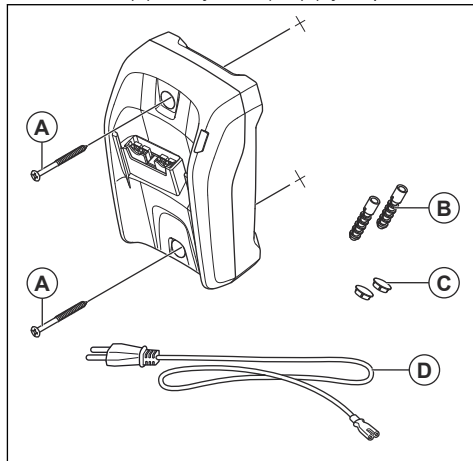
5. Pārliecinieties, ka savākšanas maiss ir pilnībā aizvērts.

Akumulatoru lādētāja uzstādīšana pie sienas



IEVĒROJIET: Neizmantojiet elektrisko skrūvgriezi akumulatoru lādētāja uzstādīšanai pie sienas. Elektrisks skrūvgriezis var izraisīt akumulatoru lādētāja bojājumus.

1. Pieskrūvējiet akumulatoru lādētāju pie sienas ar 2 skrūvēm (A). Lietojiet dībeļus (B), ja nepieciešams.



2. Atverēs ievietojiet 2 dībeļus (C).
3. Pievienojiet barošanas kabeli (D) akumulatoru lādētājam un elektrotīkla kontaktligzdai.

Lietošana

Ievads

rokasgrāmatu un pārliecinieties, ka izprotat to.



BRĪDINĀJUMS: Pirms produkta lietošanas izlasiet un izprotiet drošības norādījumus.

Darbības pārbaude pirms produkta lietošanas

1. Pārbaudiet, vai gaisa ieplūdē nav neīrumu un plaisu. Izmantojiet suku un noīriet no produkta zāli un lapas.
2. Pārbaudiet, vai produkts darbojas pareizi.
3. Pārbaudiet visus uzgriežņus un skrūves un pārliecinieties, vai tās ir cieši pieskrūvētas.

Akumulators



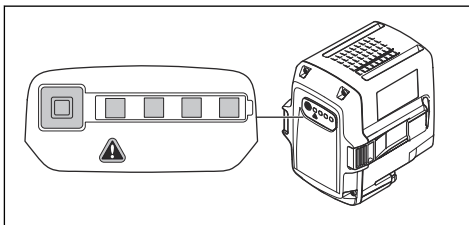
BRĪDINĀJUMS: Pirms akumulatora lietošanas izlasiet un izprotiet drošības nodaļas norādījumus. Izlasiet akumulatora un akumulatora lādētāja lietošanas

Glabājiet akumulatoru un akumulatoru lādētāju pareizā apkārtējās vides temperatūrā.

	Apkārtējās vides temperatūra
Akumulatora darbināšana	5–40 °C/41–104 °F
Akumulatora uzlāde	5–40 °C/41–104 °F

Akumulatora statuss

Displejā ir redzams uzlādes līmenis un akumulatora problēmu ziņojumi, ja pastāv problēmas.



Gaismas diodes indikators	Akumulatora uzlādes stāvoklis
Deg četras gaismas diodes	Akumulators ir uzlādēts 76–100% apmērā.
Deg trīs gaismas diodes	Akumulators ir uzlādēts 51–75% apmērā.
Deg divas gaismas diodes	Akumulators ir uzlādēts 26–50% apmērā.
Deg viena gaismas diode	Akumulators ir uzlādēts 6–25% apmērā.
Mirgo viena gaismas diode	Akumulatora ir uzlādēts 0–5% apmērā.

Akumulatora uzlāde

Ja akumulatoru lietojat pirmo reizi, uzlādējiet to. Jauns akumulators ir uzlādēts tikai par 30%.

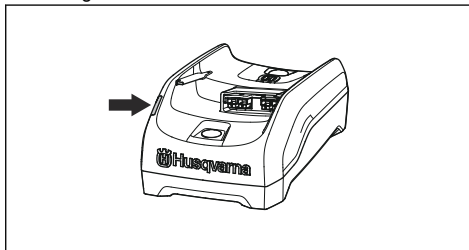


IEVĒROJIET: Pievienojiet akumulatora lādētāju kontaktligzdai, kas atbilst datu plāksnītē norādītajam spriegumam un frekvencei.

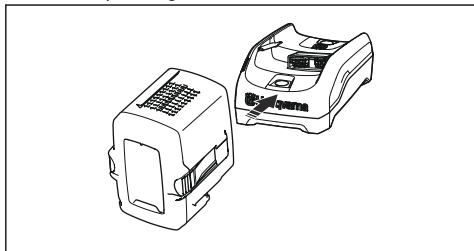
Akumulators netiks uzlādēts, ja akumulatora temperatūra pārsniedz 50 °C/122 °F.

1. Pievienojiet barošanas kabeli akumulatoru lādētājam.

2. Pieslēdziet akumulatora lādētāju iezemētai barošanas kontaktligzdai. Uzlādes gaismas diode nomirgo vienu reizi.



3. Pievienojiet akumulatoru pie lādētāja. Iedegas uzlādes gaismas diode. Akumulatora uzlādes laiks nedrīkst pārsniegt 24 stundas.



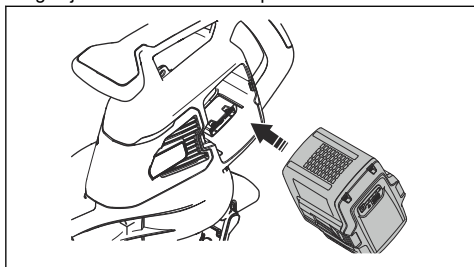
4. Nospiediet akumulatora indikatora pogu, ja visas gaismas diodes iedegas; akumulators ir pilnībā uzlādēts.
5. Izraujiet barošanas kabeļa kontaktspraudni, lai atvienotu akumulatora lādētāju no barošanas kontaktligzdas. Nevelciet aiz barošanas kabeļa.
6. Izņemiet akumulatoru no lādētāja.

Akumulatoru savienošana ar izstrādājumu

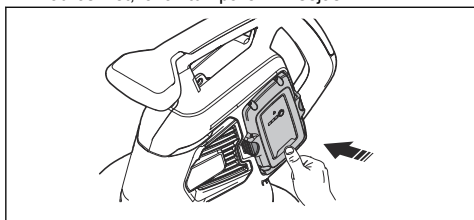


BRĪDINĀJUMS: Ierīcē izmantojiet tikai Husqvarna oriģinālos akumulatorus.

1. Pārliedcinieties, vai akumulators ir pilnībā uzlādēts.
2. Iebīdiet akumulatoru izstrādājuma akumulatora turētājā. Akumulatoram ir jābīdās viegli, pretējā gadījumā tas nav uzstādīts pareizi.

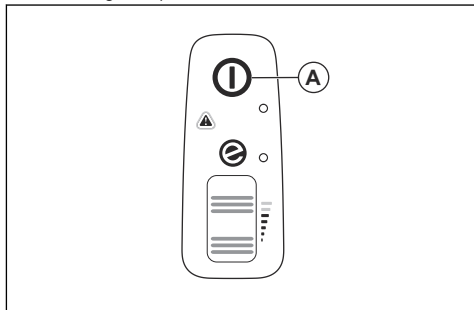


3. Spiediet akumulatora apakšdaļu un iebīdiet līdz galam akumulatora nodalījumā. Atskatot klikšķim, akumulators automātiski fiksējas.
4. Nodrošiniet, lai aizmūri pareizi fiksējas.

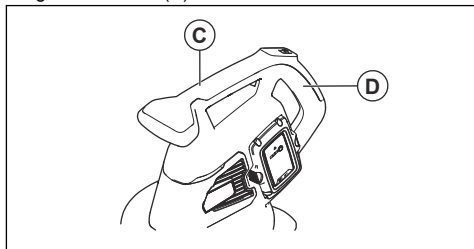


Izstrādājuma ieslēgšana

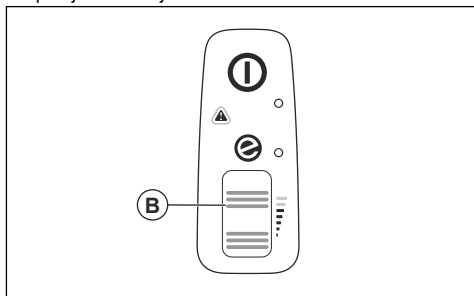
1. Turiet nospiestu ieslēgšanas/apturēšanas pogu (A), līdz iedegas zaļas krāsas LED indikators.



2. Ar vienu roku turiet palīgrokturi (C) un ar otru — galveno rokturi (D).

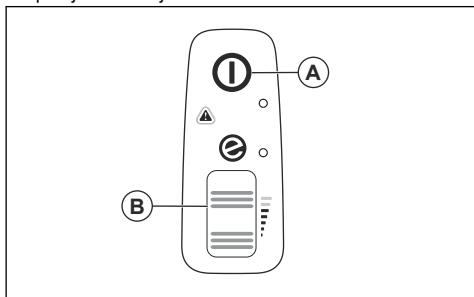


3. Ritiniet jaudas regulatoru (B) uz augšu, lai ieslēgtu pūtēja vai sūcēja režīmu.



Izstrādājuma apturēšana

1. Ritiniet jaudas regulatoru (B) uz leju, lai apturētu pūtēja vai sūcēja režīmu.

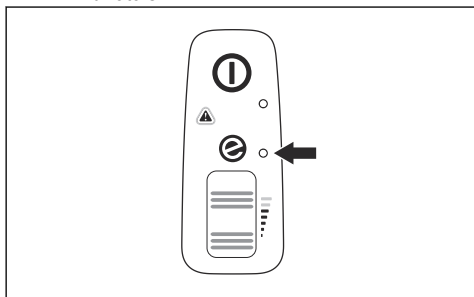


2. Turiet nospiestu ieslēgšanas/apturēšanas pogu (A), līdz zaļās krāsas LED indikators nodziest.

EKO režīms

EKO režīms paildzina akumulatora darbмūžu.

- Ritiniet jaudas regulatoru uz leju, lai ieslēgtu EKO režīmu. Ieslēdzot EKO režīmu, iedegas LED indikators.



- Ritiniet jaudas regulatoru uz augšu, lai ieslēgtu parasto režīmu. Ieslēdzot parasto režīmu, LED indikators nodziest.

Savākšanas maisa iztukšošana



BRĪDINĀJUMS:

Asi priekšmeti var radīt traumu. Neievietojiet rokas savākšanas maisā, to iztukšojot.

1. Apturiet ierīci.
2. Noņemiet savākšanas maisu.
3. Izgrieziet savākšanas maisa iekšpusi uz āru un izņemiet savāktos priekšmetus.
4. Izfīriet savākšanas maisu ar ūdens šļūteni.
5. Ļaujiet savākšanas maisam izžūt.
6. Uzstādiet savākšanas maisu.

Automātiskās izslēgšanas funkcija

Ierīce ir automātiskās izslēgšanas funkcija, kas aptur ierīci, ja tā netiek izmantota. Ierīce izslēdzas pēc 1 minūtes.

Apkope

Ievads



BRĪDINĀJUMS: Pirms veicat apkopes darbības, izlasiet nodaļu par drošību un pārliecinieties, vai saprotat to.

Tehniskās apkopes grafiks



BRĪDINĀJUMS: Pirms veicat apkopi, izņemiet akumulatoru.

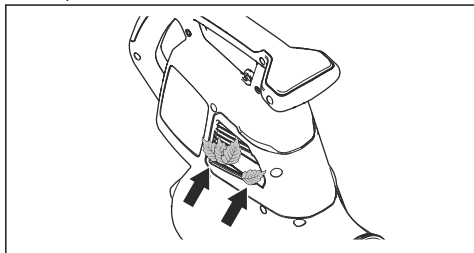
Zemāk ir redzams izstrādājuma apkopes darbību saraksts.

Tehniskā apkope	Katru dienu	Reizi nedēļā	Reizi mēnesī
Tīriet ārējo virsmu ar tīru un sausu drānu. Neizmantojiet ūdeni.	X		
Rokturiem jābūt sausiem un tīriem, bez smērvielas un eļļas.	X		
Pārliecinieties, ka ieslēgšanas/apturēšanas poga darbojas pareizi un nav bojāta.	X		
Pārliecinieties, ka jaudas regulators darbojas droši un pareizi.	X		

Tehniskā apkope	Katru dienu	Reizi nedēļā	Reizi mēnesī
Pārbaudiet, vai uzgriežņi un skrūves ir stingri pievilkta.	X		
Pārbaudiet, vai akumulators nav bojāts.	X		
	X		
Pārliedzieties, ka akumulatora atbrīvošanas pogas darbojas pareizi un izstrādājuma akumulators tiek fiksēts paredzētajā vietā.	X		
Pārbaudiet, vai nav akumulatora bojājumu un pārliedzieties, ka tas darbojas pareizi.	X		
Pārbaudiet, vai visi savienotāji, savienojumi un kabeli ir nebojāti un gādājiet, lai tie nav netīri.		X	
Pārbaudiet akumulatora un ierīces savienojumus, kā arī akumulatora un akumulatoru lādētāja savienojumu.			X
Gaisa plūsmas atveres tīriet ar mīkstu suku (nelietojiet skrūvgriezi).	X		
Noņemiet un notīriet pūtēja cauruli un sūcēja cauruli.	X		
Iztukšojiet un iztīriet savākšanas maisu. Skatiet šeit: <i>Savākšanas maisa iztukšošana lpp. 302.</i>	X		
Izņemiet zāli, lapas, netīrumus vai citus nevēlamus materiālus no iekšējās atveres un iekšējās pārsega.	X		
Pārbaudiet, vai ventilatora lāpstīņritenī nav grūžu, un, ja nepieciešams, iztīriet lāpstīņriteni ar neasu, garu priekšmetu.	X		

Gaisa iekšējās pārbaude

1. Pārliedzieties, ka gaisa iekšējās sēnos nav nosprostota.



2. Apturiet ierīci un, ja nepieciešams, noņemiet lapas vai citus nevēlamus materiālus.



IEVĒROJIET: Bloķēta gaisa iekšējās samazina pūtēja kapacitāti un

palielina motora darba temperatūru. Pārāk sakarstot, motors var izslēgties.

Akumulatora un akumulatora lādētāja pārbaude

1. Pārbaudiet, vai akumulators nav bojāts, piemēram, vai tajā nav plaisu.
2. Pārbaudiet, vai akumulatora lādētājs nav bojāts, piemēram, vai tajā nav plaisu.
3. Pārliedzieties, vai akumulatora lādētāja savienojuma vads nav bojāts un vai tajā nav plaisu.

Produkta, akumulatora un akumulatora lādētāja tīrīšana

1. Pēc lietošanas tīriet produktu ar sausu drānu.
2. Tīriet akumulatoru un akumulatora lādētāju ar sausu drānu. Akumulatora vadotnes sliedēm ir vienmēr jābūt tīrām.
3. Pārliedzieties, vai akumulatora un akumulatora lādētāja spaiļi ir tīras, pirms akumulators tiek ievietots akumulatora lādētājā vai produktā.

Problēmu novēršana

Lietotāja saskarne

Lietotāja saskarne	Iespējamās kļūmes	Iespējamais risinājums
Mirgo sarkans kļūdu LED indikators.	Temperatūras nobīde.	Ļaujiet izstrādājumam atdzist.
	Caurules vai ventilatora pārsegs ir noņemts.	Uzstādiet caurules vai ventilatora pārsegu.
	Akumulatora darbības kļūme.	Nomainiet akumulatoru vai uzlādējiet to.
	Nepieciešama apkope.	Sazinieties ar apkopes pakalpojumu nodrošinātāju.
Izstrādājums nesāk darboties.	Netīrumi un putekļi akumulatora savienotājos.	Tīriet ar saspiestu gaisu vai ar mīkstu suku.

Akumulators

Gaismas diožu displejs	Iespējamās kļūmes	Iespējamais risinājums
Mirgo zaļas krāsas gaismas diode.	Akumulators izlādējies.	Uzlādējiet akumulatoru.
Mirgo kļūdas gaismas diode.	Temperatūras nobīde.	Akumulatoru drīkst izmantot temperatūrā no -10 °C (14 °F) līdz 40 °C (104 °F).
	Pārāk liels spriegums.	Pārlicinieties, vai elektrotīkla spriegums atbilst izstrādājuma sprieguma parametriem. Informāciju skatiet izstrādājuma datu plāksnītē.
		Izņemiet akumulatoru no lādētāja.
Iedegas kļūdas gaismas diode.	Pārāk liela elementu atšķirība (1 V).	Sazinieties ar apkopes pakalpojumu nodrošinātāju.

Akumulatora lādētājs

Stāvoklis	Iespējamās kļūmes	Iespējamā procedūra
Uzlādes LED indikators deg sarkanā krāsā.	Pastāvīga akumulatora lādētāja kļūda.	Sazinieties ar izplatītāju.

Stāvoklis	Iespējamās kļūmes	Iespējamā procedūra
Uzlādes LED indikators mirgo zaļā krāsā.	Temperatūras nobīde, akumulators ir pārāk auksts vai pārāk karsts, lai to lietotu vai uzlādētu.	Ļaujiet akumulatoram atdzist vai sasilt. Kad akumulators ir sasniedzis pareizo temperatūru, to var atkal lietot vai uzlādēt. Izmantojiet akumulatora lādētāju apkārtējā temperatūrā no 5 °C (41 °F) līdz 40 °C (104 °F).
Uzlādes LED indikators mirgo sarkanā krāsā.	Bojāts akumulators	Sazinieties ar izplatītāju.

Pārvadāšana, glabāšana un utilizēšana

Pārvadāšana un uzglabāšana

- Komplektācijā iekļautie litija jonu akumulatori atbilst bīstamo preču normatīvo aktu prasībām.
 - Ievērojiet īpašās prasības, kas norādītas uz iepakojuma un uzlīmēm attiecībā uz komerciālu transportēšanu, kā arī trešo pušu un sūtīšanas aģentu prasības.
 - Pirms nosūtīt izstrādājumu, konsultējieties ar bīstamo preču apstrādes speciālistu. Ievērojiet visus spēkā esošos valsts likumus.
 - Kad ievietojat akumulatoru iepakojumā, uz atklātajiem kontaktiem uzlieciet līmlenti. Cieši ievietojiet akumulatoru iepakojumā, lai nepieļautu izkustēšanos.
 - Pirms ierīces uzglabāšanas vienmēr ļaujiet tai atdzist.
 - Transportēšanas vai uzglabāšanas nolūkos izņemiet akumulatoru.
 - Novietojiet akumulatoru un akumulatora lādētāju sausā vietā, kuru neietekmē mitrums un sals.
 - Neglabājiet akumulatoru vietās, kur var rasties statiskā elektrība. Neglabājiet akumulatoru metāla kārbā.
 - Novietojiet akumulatoru glabāšanai vietā, kur temperatūra ir diapazonā no 5 °C/41 °F līdz 25 °C/77 °F un ko neskar tieša saules gaisma.
 - Novietojiet lādētāju glabāšanai vietā, kur temperatūra ir diapazonā no 5 °C/41 °F līdz 45 °C/113 °F un ko neskar tieša saules gaisma.
 - Izmantojiet akumulatoru lādētāju tikai tad, ja apkārtējā temperatūra ir diapazonā no 5 °C/41 °F līdz 40 °C/104 °F.
- Pirms akumulatoru novietošanas ilgstošai uzglabāšanai, uzlādējiet to par 30–50%.
 - Novietojiet akumulatora lādētāju slēgtā un sausā vietā.
 - Uzglabāšanas laikā neturiet akumulatoru lādētāja tuvumā. Neļaujiet bērniem un citām nepiederošām personām pieskarties aprīkojumam. Glabājiet aprīkojumu slēdzamā vietā.
 - Noīriet izstrādājumu un veiciet pilnu apkopi, pirms novietojat to ilgstošai glabāšanai.
 - Izmantojiet transportēšanas aizsargu uz izstrādājuma, lai novērstu traumas vai izstrādājuma bojājumus transportēšanas vai glabāšanas laikā.
 - Transportēšanas laikā droši nostipriniet izstrādājumu.

Akumulatora, akumulatoru lādētāja un ierīces utilizācija

Zemāk esošais simbols norāda, ka ierīce nav sadzīves atkritumi. Utilizējiet to elektrisko un elektronisko ierīču pārstrādes uzņēmumā. Tādējādi tiek samazināta kaitīgā ietekme uz vidi un cilvēkiem.

Plašāku informāciju vaicājiet pašvaldības iestādēm, sadzīves atkritumu apsaimniekotājam vai izplatītājam.



Piezīme: Simbols ir redzams uz ierīces vai ierīces iepakojuma.

Tehniskie dati

Tehniskie dati

	120iBV
Motors	
Motora tips	BLDC (bezsku) 36 V
Svars	
Svars bez akumulatora, kg	4,6
Trokšņa emisija ⁴⁹	
Skaņas jaudas līmenis, izmērītais dB (A)	97
Skaņas jaudas līmenis, garantētais L _{WA} dB (A)	100
Skaņas līmeņi ⁵⁰	
Ekvivalents skaņas spiediena līmenis pie operatora auss, mērīts atbilstoši standartam EN/ISO 11203 un ISO 22868, dB (A):	84
Vibrācijas līmeņi ⁵¹	
Priekšējā/aizmugurējā roktura vibrācijas līmenis mērīts atbilstoši standartam ISO 22867, m/s ²	1,4/1,7
Ventilatora darbība	
Gaisa plūsma parastā režīmā ar standarta uzgali, m ³ /min.	6,7
Maksimālais gaisa ātrums parastajā režīmā ar standarta sprauslu, m/s/jūdzes/h	50/111

Trokšņa un vibrācijas dati tiek noteikti, ņemot vērā maksimālo nominālo ātrumu.

Apstiprinātie akumulatori

Šim izstrādājumam lietojiet tikai Husqvarna oriģinālos 40-B akumulatorus.

Apstiprinātie akumulatori

Akumulators	40-B140
Tips	Litija jonu
Akumulatora ietilpība, Ah	4
Nominālais spriegums, V	36

⁴⁹ Atbilstoši EK direktīvai 2000/14/EK trokšņa emisija apkārtņē ir mērīta kā akustiskā jauda (L_{WA}). Novērotais ierīces skaņas jaudas līmenis ir izmērīts ar pievienotu oriģinālo griešanas ierīci, kas rada augstāko līmeni. Atšķirība starp garantēto un izmērīto skaņas jaudas līmeni ir tāda, ka garantētā skaņas intensitātes līmeņa mērījumu rezultāts ietver arī izkliedi mērījuma rezultātā un atšķirības dažādām tā paša modeļa ierīcēm atbilstoši direktīvai 2000/14/EK.

⁵⁰ Sniegtajos datos par ekvivalenta skaņas spiediena līmeni ierīcei ir tipiska statistiskā 3 dB (A) izkliede (standartnovirze).

⁵¹ Sniegtajos datos par vibrācijas līmeni tipiska statistiskā izkliede ir 1,5 m/s² (standarta novirze).

Akumulators	40-B140
Svars, kg	1,25

Apstiprinātie akumulatoru lādētāji

Akumulatora lādētājs	40-C80
Elektrotīkla spriegums, V	100–240
Frekvence, Hz	50–60
Jauda, W	72
Izvades spriegums, V d.c./ ampēri, A	43/1,6

Atbilstības deklarācija

ES atbilstības deklarācija

Mēs, **Husqvarna AB**, SE-561 82 Huskvarna,
ZVIEDRIJA, tālr. +46-36-146500, ar pilnu atbildību
apliecinām, ka šis izstrādājums:

Apraksts	Dārza rokas pūtējs/sūcējs
Zīmols	Husqvarna
Tips/modelis	120iBV
Identifikācija	Ar sērijas numuriem, sākot ar 2022. gadu

pilnībā atbilst šādām ES direktīvām un noteikumiem:

Regula	Apraksts
2006/42/EK	"par mehānismiem"
2014/30/ES	"par elektromagnētisko savietojamību"
2011/65/ES	"par dažu bīstamu vielu izmantošanas ierobežošanu elektriskās un elektroniskās iekārtās"
2000/14/EK	"par trokšņa emisiju vidē"

un ir ievēroti zemāk norādītie saskaņotie
standarti un/vai tehniskie dati: EN

60335-1:2012+A11+A13+A14+A2+A15, EN
50636-2-100:2014, EN IEC 63000:2018, EN ISO
12100:2010, EN IEC 55014-1:2021; EN IEC
55014-2:2021

Saskaņā ar direktīvu 2000/14/EK, V pielikumu; skatiet
Tehniskie dati lpp. 306 lai redzētu norādītās skaņas
vērtības.

Huskvarna, 2023-01-16



Claes Losdal, izpētes un attīstības nodaļas vadītājs,
Husqvarna AB

Atbildīgais par tehnisko dokumentāciju

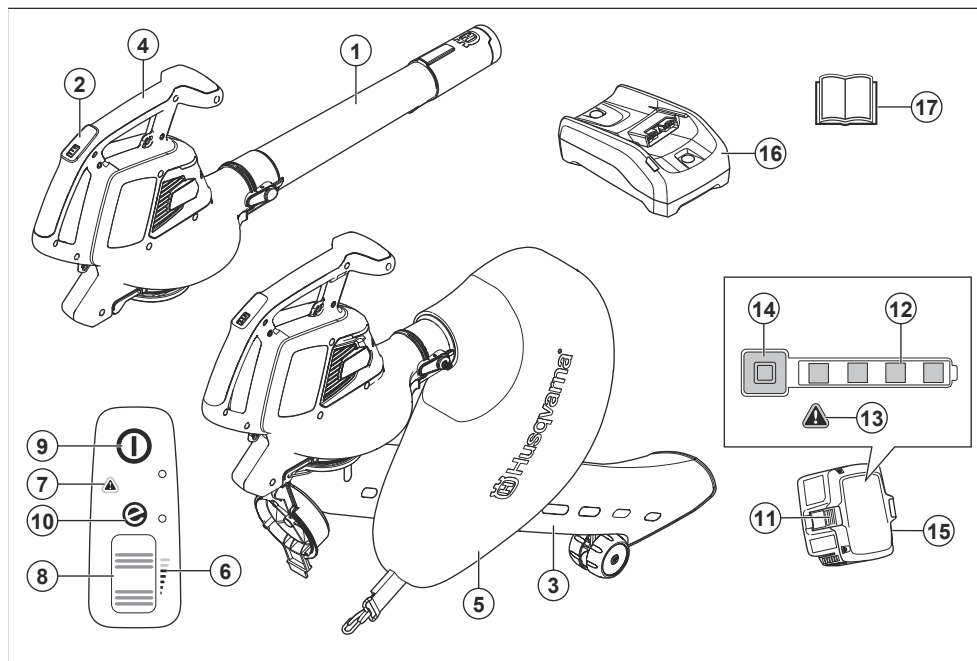


TURINYS

Įvadas.....	309	Gedimai ir jų šalinimas.....	322
Sauga.....	311	Transportavimas, saugojimas ir utilizavimas.....	323
Surinkimas.....	316	Techniniai duomenys.....	324
Naudojimas.....	318	Atitikties deklaracija.....	326
Techninė priežiūra.....	320		

Įvadas

Gaminio apžvalga



1. Pūstuvo vamzdis
2. Klaviatūra
3. Siurblio vamzdis
4. Rankena
5. Surinkimo maišas
6. Oro srauto indikatorius
7. Įspėjimo indikatorius (klaidos šviesos diodas)
8. Maitinimo jungiklis
9. Paleidimo / stabdymo mygtukas
10. „SavE“ indikatorius
11. Akumuliatoriaus nuėmimo mygtukas
12. Akumuliatoriaus būseną
13. Įspėjimo indikatorius (klaidos šviesos diodas)

14. Maitinimo ir įspėjimasis indikatorius
15. Akumuliatoriaus kroviklis, tiekiamas tik su Husqvarna 120iBV pūstuvo rinkiniu
16. Akumuliatoriaus kroviklis, tiekiamas tik su Husqvarna 120iBV pūstuvo rinkiniu
17. Naudojimo instrukcija

Gaminio aprašas

Husqvarna 120iBV yra pūstuvo / siurblio modelis su elektriniu varikliu.

Nuolat siekiame tobulinti savo gaminius, pasilikdami sau teisę keisti jų formą ir išvaizdą be išankstinio pranešimo.

Numatytasis naudojimas

Pūstuvo režimas. Pūstuvą skirtas nešvarumams arba nupjautai žolei nupūsti nuo takų, įvažiavimų, kiemų ir panašių teritorijų. Juo taip pat galima supūsti nupjautą žolę, šiaudus arba lapus į krūvas, pašalinti nešvarumus plytelių arba plytų kampuose, sujungimuose ar tarpuose.

Siurblio režimas. Siurbliu galima susiurbti sausas medžiagas. Tai gali būti lapai, žolė, smulkios šakelės, popieriai.

Simboliai ant gaminio



ĮSPĖJIMAS. Šis gaminys gali būti pavojingas ir rimtai sužeisti arba pražudyti naudotoją arba aplinkinius. Būkite atsargūs ir tinkamai naudokite gaminį.



Prieš naudodami gaminį atidžiai perskaitykite naudojimo instrukciją ir įsitikinkite, kad instrukcijas suprantate.



Naudokite patvirtintas akių apsaugos priemones.



Vardinė įtampa, V



Nuolatinė srovė.



Triukšmo emisijos į aplinką ženklিনimas atitinka ES ir Jungtinės Karalystės direktyvas bei reglamentus ir Naujojo Pietų Velso įstatymą „2017 m. aplinkos apsaugos (triukšmo kontrolės) reglamentas“. Gaminio garantuotasis garso galios lygis nurodytas *Techniniai duomenys psl. 324* ir etiketėje.



Prieš atlikdami techninę apžiūrą atjunkite akumuliatorių.



Gaminys ar gaminio pakuotė nepriskiriami buitiniams atliekoms. Nuvežkite jį į elektros ir elektronikos įrenginių perdirbimo punktą.



Šis gaminys atitinka taikomas EB direktyvas.



Šis gaminys atitinka taikytinų JK reglamentų nuostatas.



Nepalikite lietuje.



Išjunge gaminį palaukite, ko sustos besisukančios mentės.



Gaminio siurbimo režimą naudokite tik tada, kai vamzdis yra visiškai surinktas.



Pūstuvo naudotojas turi stebėti, kad nei žmonės, nei gyvūnai neprisiartintų arčiau kaip 15 metrų atstumu. Jeigu toje pačioje vietoje dirba keli naudotojai, tarp jų reikia išlaikyti ne mažesnę kaip 15 m atstumą. Pūstuvo nupučiami daiktai gali atšokti atgal ir sunkiai sužaloti akis, jeigu nenaudojate rekomenduojamos saugos įrangos.



yyyyy wwwxxxxx

Nominaliųjų parametų plokštelėje nurodytas serijos numeris. **yyyyy** yra pagaminimo metai, **www** yra pagaminimo savaitė.

Pasižymėkite: Kiti ant priedo pateikti simboliai (lipdukai) skirti specialiems kai kurių rinkų sertifikavimui reikalavimams.

Simboliai ant akumuliatoriaus ir (ar) akumuliatoriaus įkroviklio



Nuvežkite šį gaminį į elektros ir elektronikos įrenginių perdirbimo punktą. (galioja tik Europoje)



Apsaugotas transformatorius.



Akumulatoriaus įkroviklį naudokite ir laikykite tik uždaroje patalpoje.



Dviguba izoliacija.

Gamintojas

Husqvarna AB

Drottninggatan 2, SE-561 82 Huskvarna

Produkto pažeidimai

Mes neatsakome už mūsų gaminio sugadinimą, jei:

- gaminys netinkamai suremontuotas;
- gaminys suremontuotas naudojant kito gamintojo arba gamintojo nepatvirtintas dalis;
- gaminys turi kito gamintojo arba gamintojo nepatvirtintą priedą;
- gaminys suremontuotas ne patvirtintame techninės priežiūros centre arba jį suremontavo ne patvirtintas atstovas.

Sauga

Saugos ženklų reikšmės

Įspėjimai, perspėjimai ir pastabos yra skirtos atkreipti dėmesį į ypač svarbias naudotojo instrukcijos dalis.



PERSPĖJIMAS: Naudojamas, kai naudotojui ar šalia esantiems asmenims kyla mirtino arba sunkaus sužeidimo pavojus arba, jei nesilaikoma naudotojo instrukcijoje pateiktų nurodymų.



PASTABA: Naudojamas, kai kyla pavojus sugadinti gaminį ir (arba) priedą, kitas medžiagas arba padaryti žalą aplinkai, jei nesilaikoma naudotojo instrukcijoje pateiktų nurodymų.

Pasižymėkite: Naudojama pateikti daugiau, nei būtina esamoje situacijoje, informacijos.

Bendrieji saugos nurodymai



PERSPĖJIMAS: Prieš naudodami gaminį, perskaitykite toliau esančius įspėjimus.

- Atidžiai perskaitykite instrukcijas ir susipažinkite su valdikliais ir tinkamu gaminio valdymu. Netinkamai ar nerūpestingai naudodami gaminį galite rimtai ar net mirtinai susižaloti.
- Be gamintojo leidimo jokių atveju negalima keisti originalios gaminio konstrukcijos. Niekada nenaudokite gaminio, kurio konstrukcija yra modifikuota, lyginant su gamyklos standartu, ir visuomet naudokite originalius priedus. Nesuderinti konstrukcijos pakeitimai bei nepritaikytos detalės gali sukelti rimtus kūno sužalojimus ir net mirtį. Žalai, patirtai dėl neįgaliotų priedų ar atsarginių dalių naudojimo, gali būti netaikoma garantija.

- Šis gaminys veikdamas sukuria elektromagnetinį lauką. Tam tikromis aplinkybėmis šis laukas gali trikdyti aktyviųjų arba pasyviųjų medicininių implantų veiklą. Kad sumažėtų sunkaus ar netgi mirtino sužeidimo pavojus, medicininių implantų turintiems asmenims rekomenduojame prieš naudojant šį gaminį pasitarti su gydytoju ir implanto gamintoju.
- Prieš padėdami krauti gaminį, išimkite iš jo akumuliatorių bloką.

Bendrieji įspėjimai dėl saugos naudojant elektros įrankius

Patikrinimas prieš užvedant

- Patikrinkite darbo vietą. Pašalinkite tuos palaidus daiktus, kuriuos galima išmesti, pavyzdžiui: akmenis, stiklo šukes, vinis, plieninę vielą, virvės galiukus ar pan.
- Kad netyčia neįjungtumėte įrenginio, visuomet nuimkite bateriją. Prieš atlikdami techninę įrenginio priežiūrą visuomet atjunkite bateriją.
- Prieš naudodami įrenginį po bet kokio smūgio, patikrinkite, ar jis nesusidėvėjęs, ar nereikia remonto.
- Naudokite tik originalias atsargines dalis.
- Įrenginiu dirbantis asmuo turi stebėti, kad nei žmonės, nei gyvūnai neprisiartintų arčiau kaip 15 m atstumu. Kai vienoje vietoje šiais įrenginiais dirba keli asmenys, tarp jų turi būti išlaikomas mažiausiai 15 m saugus atstumas.
- Prieš pjaudami atlikite bendrąją įrenginio apžiūrą, žr. priežiūros grafiką.
- Naudojimą gali reglamentuoti nacionalinės arba vietos taisyklės. Laikykitės nustatytų taisyklių.

Asmens sauga

- **Naudodami elektros įrankį, būkite budrūs, stebėkite savo veiksmus ir vadovaukitės sveiku protu. Nenaudokite elektros įrankio, jei esate pavargę, apsvalgę nuo narkotikų, alkoholio arba vaistų.**

Dirbant elektros įrankiais netgi akimirksnis neatidumo gali būti sunkaus susižalojimo priežastimi.

- Pašaliniai asmenys turi laikytis atokiau.
- Šis prietaisas neskirtas naudoti asmenims (tarp jų ir vaikams) su ribotais fiziniais, jutimais ar protiniais gebėjimais, neturinčiais patirties ar žinių, nebent asmuo, atsakingas už jų saugą, pateikė atitinkamas instrukcijas. Žiūrėkite, kad su prietaisu nežaistų vaikai.
- Neleiskite vaikams ir suaugusiems, nesusipažinusiems su instrukcijomis, naudotis gaminiu. Gali būti, kad pagal vietos teisės aktus ribojamas naudotojo amžius.
- Neprisileiskite artyn pašalinių. Vaikai, gyvuliai, stebėtojai ir padėjėjai turi būti nutolę 15 metrų (50 pėd.) atstumu. Kam nors priartėjus, nedelsdami sustabdykite įrenginį.
- Įrangą laikykite rakinamoje patalpoje, kur jos nepasiekia vaikai ir pašaliniai asmenys.
- Nenaudokite įrenginio ant betonuoto arba žvyruoto paviršiaus, kur išmestos medžiagos gali sužaloti.
- Naudodami įrenginį visuomet avėkite tvirtą avalynę ir mūvėkite ilgas kelnes. Nenaudokite įrenginio basi arba avėdami atvirą avalynę. Stenkitės nevilkėti laisvų drabužių su kabančiais raišteliais arba diržais.
- Nevilkėkite palaidų drabužių ar papuošalų, kuriuos galėtų įtraukti oro įvado anga. Atokiai nuo oro įleidimo angų laikykite ilgus plaukus.
- Niekada nenaudokite įrenginio, jei esate pavargę, jei vartojote alkoholį ar vaistus, kurie gali turėti įtakos jūsų regėjimui, nuovakai ar koordinacijai.
- Naudokite asmenines apsaugines priemones. Žr. instrukcijas skyriuje „Asmeninės apsauginės priemonės“.
- Perduodami įrenginį kitam asmeniui visuomet nuimkite bateriją.
- Atminkite, kad Jūs, operatorius, atsakote už tai, kad nekiltų pavojus žmonėms ir jų nuosavybei.

Elektros įrankių naudojimas ir priežiūra

- Niekada nenaudokite įrenginio, kurio konstrukcija yra modifikuota, lyginant su gamyklos standartu. Niekomet nenaudokite įrenginio greta sprogių ar degių medžiagų.
- Niekada nenaudokite techniškai netvarkingos mašinos. Vykdykite šioje instrukcijoje nurodytas tikrinimo, techninės priežiūros ir remonto procedūras. Kai kuriuos techninės priežiūros darbus gali atlikti tik apmokyti ir kvalifikuoti specialistai. Žr. instrukcijas skyriuje „Priežiūra“.
- Naudokite tik originalias atsargines dalis.
- Ventilacijos angas visuomet saugokite nuo šiukšlių.
- Prieš įjungiant aparatą būtina sumontuoti visus dangčius, apsaugas ir rankenas.
- Įrenginį naudokite tik šviesiuoju paros metu arba gerai apšviestoje vietoje.
- Niekada nenaudokite mašinos esant nepalankioms oro sąlygoms, pavyzdžiui, esant rūkui, lyjant,

dregnose arba šlapiose vietose, pučiant stipriam vėjui, esant dideliame šalčiui, esant žaibo tikimybei ir pan. Dėl per karšto aplinkos oro įrenginys gali perkaisti. Darbas blogomis oro sąlygomis vargina ir gali susidaryti pavojingos darbo sąlygos, pavyzdžiui, slidūs paviršiai.

- Jeigu įrenginys pradeda nejprastai vibruoti, sustabdykite jį ir išimkite bateriją.
- Eikite, niekada nebėkite.

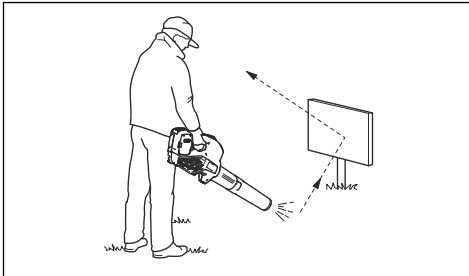
Naudojimo saugos instrukcijos



PERSPĖJIMAS: Prieš naudodami gaminį, perskaitykite toliau esančius įspėjimus.

- Jei tam tikroje situacijoje nežinosite, kaip pasielgti, teiraukitės specialisto. Kreipkitės į prekybos atstovą ar techninės priežiūros centro specialistus. Nesiimkite darbų, kurių nemokate ar jaučiatės nepakankamai kvalifikuoti.
- Įsitinkinkite, kad galite saugiai judėti ir stovėti. Apžiūrėkite, ar jūsų darbo vietoje nėra kliūčių (išsikūsiusių šaknų, akmenų, šakų, griovių ir pan.), kurios trukdytų, jei kartais reiktų atlikti staigesnį judesį. Būkite labai atsargūs dirbdami ant šlaitų.
- Visuomet laikykite pusiausvyrą ir tvirtai remkitės į žemę kojomis. Neužsimokite per plačiai.
- Jei dėvite apsaugines ausines, būkite atidūs, kad išgirstumėte galimus įspėjamuosius signalus ar šūksnius. Gaminiumi sustojus, būtina nusiimkite apsaugines ausines.
- Nenaudokite gaminio šalia atvirų langų.
- Atsižvelkite į savo kaimynus ir nenaudokite įrenginio netinkamu laiku, pvz., vėlai vakare ar anksti ryte. Atsižvelkite į vietos nuostatas ir taisykles.
- Įrenginį naudokite su kaip galima mažesniu oro srautu. Paprastai nebūtina naudoti didžiausio oro srauto, nes daugumą darbų galima atlikti naudojant tik pusės stiprumo oro srautą. Naudodami silpnesnį oro srautą sukeliate mažiau triukšmo ir dulkių, taip pat paprasčiau valdyti surenkamas ar pučiamas šiukšles.
- Naudodami gaminį dulkėtoje aplinkoje šiek tiek sudrėkinkite paviršių.
- Prie žemės prilipusias šiukšles pakelkite grėbliu ar šepėčiu.
- Pūstuvo angą laikykite kiek galima arčiau žemės.
- Stebėkite aplinką. Įrenginį nukreipkite nuo žmonių, gyvūnų, žaidimų aikštelių, automobilių ir pan.
- Norėdami kuo labiau sumažinti šiam darbui skirtą laiką, šiek tiek sudrėkinkite ar apipurškite purkštuvu dulkėtą sritį.
- Atkreipkite dėmesį į vėjo kryptį. Dirbkite pavėjui ir darbas palengvės.
- Jeigu įrenginys pradeda nejprastai vibruoti, sustabdykite įrenginį ir atjunkite akumuliatorių.
- Pūstuvu stumdyti dideles lapų krūvas užima daug laiko ir keliamas nereikalingas triukšmas.

- Pabaigę išvalykite. Nenupūskite šiukšlių į kieno nors sodą.
- Nebėkite su gaminiu rankose.
- Stiprios oro srovės gali pakelti daiktus tokiu greičiu, kad jie gali atšokti atgal ir sunkiai sužaloti akis.



- Nekreipkite oro srauto į žmones ar gyvūnus.
- Prieš sumontuodami ar išmontuodami priedus ar kitas dalis, sustabdykite variklį.
- Jokia kūno dalimi nesilieskite prie įkaitusių paviršių.
- Suaktyvinto įrenginio niekada nedėkite ant žemės, jei jo nematote.
- Sustabdykite įrenginį ir išimkite akumuliatorių. Įsitikinkite, kad visos judančios dalys visiškai sustojo:
 - kai paliekate įrenginį be priežiūros;
 - prieš valydami prilipusią žolę ar užsikimšusį žolės išmetimo lataką;
 - prieš tikrindami, valydami ar remontuodami įrenginį.
- Nedelsdami išjunkite maitinimo šaltinį ir leiskite įrenginiui sustoti, jei pjovimo mechanizmas atsitrenkia į pašalinį objektą arba jei įrenginys ima skleisti neįprastą triukšmą ar vibraciją. Atjunkite akumuliatorių nuo įrenginio ir prieš iš naujo paleisdami bei naudodamiesi juo atlikite šiuos veiksmus:

- patikrinkite, ar nėra pažeidimų;
- pakeiskite arba pataisykite pažeistas dalis;
- patikrinkite, ar nėra atsilaisvinsusių dalių ir jas priveržkite.
- Jei įrenginys užsikimšo, prieš pašalinami nepageidaujamas medžiagas išjunkite maitinimo šaltinį ir atjunkite įrenginio akumuliatorių.
- Netransportuokite įrenginio, kai įjungtas maitinimo šaltinis.
- Nepaverskite įrenginio, kai įjungtas maitinimo šaltinis.
- Pūstovo negalima naudoti užsilipus ant kopėčių ar pastolių.



- Niekada nenaudokite įrenginio, jei nelaimės atveju nebūtų kaip iškviešti pagalbą.
- Saugokitės į orą iššviestiam objektų. Akmenukai, šiukšlės ir pan. gali pataikyti į akis ir apakinti ar sunkiai jas sužaloti.
- Įkraudami gaminį naudokite papildomo saugumo suteikiantį liekamosios srovės įtaisą (RCI). Liekamosios srovės įtaisas reikalingas tam, kad apsaugotų operatorių elektrinio gedimo metu.
- Šis įrenginys žinomas dėl savo mažų vibracinių aprovų. Ilgalaikė vibracija gali pakenkti silpnesnės sveikatos žmonių kraujo apytakai ir nervų sistemai. Pajūtę somatinius negalavimo požymius, kreipkitės į gydytoją. Tokie simptomai yra sustingimas, tirpulus, jutimo praradimas, dilgčiojimas, badymas, skausmas, šilpnumas, odos spalvos ir būklės pakitimas. Šie simptomai dažniausiai pasireiškia pirštuose, plaštakose ir rankų sąnariuose.
- Įrenginį naudokite tik tiems tikslams, kuriems jis yra skirtas.
- Neįmanoma numatyti visų situacijų, kurios gali iškilti. Visada elkitės atsargiai ir vadovaukitės sveiku protu. Neapsiimkite atlikti darbų, kuriems nesate pakankamai kvalifikuotas. Jeigu perskaitę šią instrukciją vis dar nesate tikri, kaip naudoti įrenginį, pasitarkite su tai išmanančiu asmeniu.

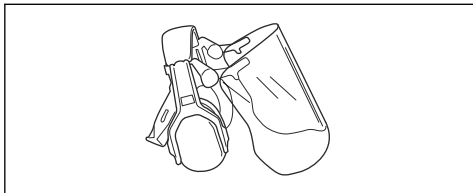
Asmeninės apsauginės priemonės



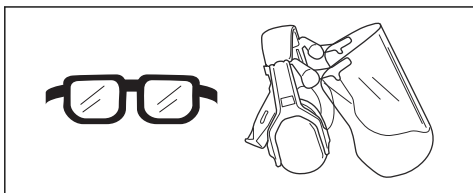
PERSPĖJIMAS: Prieš naudodami gaminį, perskaitykite toliau esančius įspėjimus.

- Naudodami įrenginį būtinai dėvėkite patvirtintas asmenines apsaugines priemones. Asmeninės apsauginės priemonės nepadės visiškai išvengti pavojaus susižeisti, tačiau nelaimingo atsitikimo atveju mažiau nukentėsite. Leiskite prekybos atstovui padėti pasirinkti tinkamą įrangą.
- Ilgalaikis triukšmo poveikis gali pakenkti klausai. Apskritai akumuliatoriniai gaminiai yra tylūs, tačiau klausai galima pakenkti ilgai naudojant esant tam tikram triukšmo lygiui. rekomenduojama operatoriams naudoti apsaugines ausines, kai gaminiai ilgą laiką naudojami be pertraukos. Ilgą laiką reguliariai gaminį naudojantys vartotojai turėtų reguliariai tikrintis klausą. Atkreipkite dėmesį, kad apsauginės

ausinės apriboja galimybes girdėti garsus ir įspėjimo signalus.



- Naudokite patvirtintas akių apsaugos priemones. Jei naudojamas apsauginis skydelis, turi būti nešiojami ir patvirtinti apsauginiai akiniai. Patvirtinti apsauginiai akiniai yra tie, kurie atitinka JAV ANSI Z87.1 standartą arba ES EN 166 standartą.



- Vilkėkite iš stiprios medžiagos pagamintus drabužius. Būtinai mėvėkite tvirtas, ilgas kelnes, vilkėkite aprangą ilgomis rankovėmis. Nevilkėkite laisvų drabužių, kurie gali užkibti už krūmokšnių ir šakų. Nenešiokite papuošalų, trumpų kelnių ar atvirų batų ir nevaikščiokite basomis. Saugiai susisėkite plaukus aukščiau pečių.
- Netoliese turi būti pirmosios pagalbos vaistinė.



- Jeigu aplinkoje daug dulkių, būtina užsidėti respiratorių.

Gaminio apsauginės priemonės



PERSPĖJIMAS: Prieš naudodami gaminį, perskaitykite toliau esančius įspėjimus.

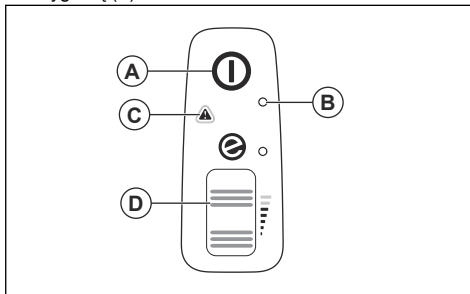
- Šiame skyriuje aprašytos gaminio saugos priemonės, jų paskirtis ir patarimai, kaip atlikti patikros ir priežiūros darbus, siekiant užtikrinti tinkamą gaminio veikimą. Žr. instrukcijas skyriuje, *Gaminio apžvalga psl. 309* kad sužinotumėte, kur jūsų gaminyje yra šios dalys.
- Gaminio naudojimo laikas gali sutrumpėti, o nelaimingų atsitikimų pavojus gali padidėti, jei gaminys nebus tinkamai prižiūrimas, o techninė priežiūra ir (arba) remonto darbai nebus atliekami profesionaliai. Prireikus daugiau informacijos,

prašome kreiptis į artimiausią techninės priežiūros atstovą.

- Niekada nenaudokite gaminio, kurio apsauginės dalys yra pažeistos. Gaminio saugos įranga turi būti tikrinama ir prižiūrima taip, kaip yra aprašyta šiame skyrelyje. Jei gaminys neatitinka bet kurio iš šių kontrolinių reikalavimų, kreipkitės į savo techninės priežiūros atstovą dėl gaminio remonto.
- Gaminio techninė priežiūra ir taisymas reikalauja specialaus pasirengimo. Tai ypač susiję su gaminio saugos įranga. Jei jūsų gaminys neatitiks nors vieno iš žemiau pateiktų kontrolės reikalavimų, kreipkitės į sertifikuotą remonto dirbtuvę. Įsigijus mūsų gaminį, garantuojame profesionalų aptarnavimą ir techninę priežiūrą. Jei gamino pardavėjas neatlieka aptarnavimo, paprašykite jo duoti artimiausios remonto dirbtuvės adresą.

Valdymo skydelio patikra

1. Paspauskite ir laikykite paleidimo / stabdymo mygtuką (A).



- a) Gaminys įjungtas, kai įsižiebia šviesos diodas (B).
 - b) Gaminys išjungtas, jei šviesos diodas (B) nešviečia.
2. Žr. *Naudotojo sąsąją psl. 322* jeigu šviečia arba mirksi įspėjamasis indikatorius (C).
 3. Paspauskite ir atleiskite maitinimo mygtuką (D) ir įsitikinkite, kad jis laisvai juda.

Akumuliatorių naudojimo sauga



PERSPĖJIMAS: Prieš naudodami gaminį, perskaitykite toliau esančius įspėjimus.

- Naudokite tik mūsų įrenginiui rekomenduojamus „40-B“ serijos akumuliatorius. Žr. *Patvirtinti akumuliatoriai psl. 324*. Akumuliatoriai turi koduotą programinę įrangą.
- Naudokite įkraunamus 40-B serijos akumuliatorius tik kaip susijusių „Husqvarna“ gaminių maitinimo šaltinį. Kad išvengtumėte sužeidimų, nenaudokite akumuliatoriaus kaip kitų gaminių maitinimo šaltinio.
- Elektros smūgio pavojus. Neleiskite akumuliatoriaus gnybtams liestis prie raktų, atsuktuvų ar kitų

metalinų daiktų. Galite sukelti akumuliatoriaus trumpąjį jungimą.

- Nenaudokite neįkraunamų akumuliatorių.
- Nekiškite objektų į akumuliatoriaus oro angas.
- Saugokite akumuliatorių nuo tiesioginių saulės spindulių, karščio ar atviros ugnies. Akumuliatorius gali sukelti terminius ir (arba) cheminius nudegimus.
- Saugokite akumuliatorių nuo lietaus ir drėgmės.
- Saugokite akumuliatorių nuo mikrobangų ir aukšto slėgio.
- Nebandykite akumuliatoriaus išmontuoti ar sulaužyti.
- Akumuliatorių naudokite nuo $-10\text{ }^{\circ}\text{C}$ ($14\text{ }^{\circ}\text{F}$) iki $40\text{ }^{\circ}\text{C}$ ($104\text{ }^{\circ}\text{F}$) temperatūroje.
- Nevalykite akumuliatoriaus ar įkroviklio vandeniu. Žr. *Įrenginio, akumuliatoriaus ir akumuliatorių įkroviklio valymas psl. 321*.
- Nenaudokite sugadinto arba pažeisto akumuliatoriaus.
- Laikykite akumuliatorius atokiau nuo metalinių daiktų, pavyzdžiui, vinių, varžtų, juvelyrinių dirbinių.
- Saugokite akumuliatorių nuo vaikų.

Įkroviklio sauga



PERSPĖJIMAS: Prieš naudodami gaminį, perskaitykite toliau esančius įspėjimus.

- Nesilaikant saugos instrukcijų, kyla elektros smūgio arba trumpojo jungimo rizika.
- Naudokite tik kartu su gaminiu pateiktą akumuliatoriaus įkroviklį. Naudokite tik 40-C80 įkroviklius, kai įkraunate „Husqvarna“ 40-B140 atsarginius akumuliatorius. Žr. *Patvirtinti akumuliatorių įkrovikliai psl. 325* ir *Patvirtinti akumuliatoriai psl. 324*.
- Nebandykite išmontuoti akumuliatoriaus įkroviklio.
- Nenaudokite sugadinto arba pažeisto akumuliatoriaus įkroviklio.
- Neikelkite akumuliatoriaus įkroviklio už maitinimo laido. Norėdami atjungti akumuliatoriaus įkroviklį nuo elektros lizdo, traukite už kištuko. Netraukite už elektros laido.
- Visus kabelius ir jungiamuosius laidus laikykite toliau nuo vandens, alyvos ir aštrių briaunų. Būkite atidūs, kad kabelio nepripaustų objektai, pvz., durys, tvoros ar pan.
- Nenaudokite akumuliatoriaus įkroviklio šalia degių arba koroziją sukeliančių medžiagų. Įsitinkite, kad akumuliatoriaus įkroviklis neuždengtas. Pastebėję dūmus ar liepsną, ištraukite akumuliatoriaus įkroviklio kištuką.

- Įkraukite akumuliatorių tik gerai vėdinamoje patalpoje, saugodami nuo saulės spindulių. Nekraukite akumuliatoriaus lauke. Nekraukite akumuliatoriaus drėgnomis sąlygomis.
- Akumuliatorių įkroviklį naudokite nuo $5\text{ }^{\circ}\text{C}$ ($41\text{ }^{\circ}\text{F}$) iki $40\text{ }^{\circ}\text{C}$ ($104\text{ }^{\circ}\text{F}$) temperatūroje. Įkroviklį naudokite gerai vėdinamoje, sausoje ir nedulkėtoje aplinkoje.
- Nekiškite objektų į įkroviklio aušinimo angas.
- Neprijunkite akumuliatorių įkroviklio gnybtų prie metalinių daiktų, nes taip sukelsite akumuliatorių įkroviklio trumpąjį jungimą.
- Naudokite patvirtintus ir nepažeistus elektros tinklo lizdus. Įsitinkite, kad akumuliatoriaus įkroviklio laidas yra nepažeistas. Jei naudojami jungiamieji kabeliai, įsitinkite, kad jie nepažeisti.

Priežiūros saugos instrukcijos



PERSPĖJIMAS: Prieš atikdami gaminio techninę priežiūrą, perskaitykite toliau esančius įspėjimus.

- Sustabdę įrenginį techninei priežiūrai, patikrai, sandėliavimui arba norėdami pakeisti priedą, prieš atikdami bet kokias patikras, reguliavimus ir pan., leiskite įrenginiui atvėsti. Prižiūrėkite įrenginį ir pasiūpinkite, kad jis būtų švarus.
- Prieš atikdami techninę priežiūrą, kitą patikrą ar montuodami įrenginį, išimkite akumuliatorių.
- Operatorius gali atlikti tik tokius priežiūros ir techninės priežiūros darbus, kurie aprašyti šiame operatoriaus vadove. Dėl didesnių techninės priežiūros ir remonto darbų kreipkitės į techninės priežiūros atstovą.
- Visos veržlės, sraigčiai ir varžtai turi būti gerai priveržti, kad būtų užtikrintas saugus gaminio eksploatavimas.
- Pakeiskite susidėvėjusias ar apgadintas dalis.
- Neatliekant techninės priežiūros trumpėja įrenginio naudojimo laikas ir didėja nelaimingų atsitikimų pavojus.
- Visiems techninės priežiūros ir remonto darbams atlikti būtini specialūs mokymai, ypač atliekant su sauga susijusios įrangos priežiūrą. Jeigu atlikus techninę priežiūrą patvirtinti ne visi šiame naudotojo vadove nurodyti punktai, kreipkitės į techninės priežiūros atstovą. Garantuojame, kad jis suteiks profesionalią priežiūrą ir atliks gaminio techninės priežiūros darbus.
- Naudokite tik originalias atsargines dalis.

Surinkimas

Pūstuvu režimas



PERSPĒJIMAS:

Pļautiņu sužeidimū pavojus kyla sukantis mentēms arba netyčia ijjungus gaminį. Išimkite akumuliatorių, palaukite, kol sustos besisukančios mentės, ir tik tada surinkite gaminį.



PERSPĒJIMAS:

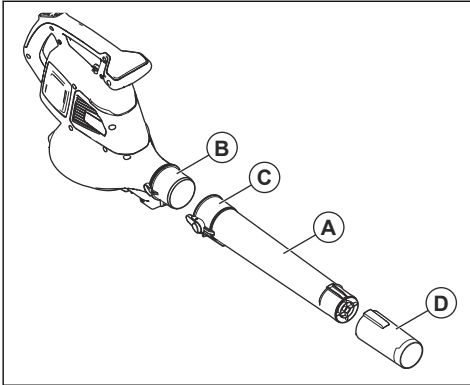
Prieš naudodami gaminį pūstuvu režimu, visiškai surinkite pūstuvu vamzdį ir oro įsiurbimo angos gaubtą.

Pūstuvu vamzdžių montavimas

Pasižymėkite:

Jei pūstuvu vamzdis nebus tinkamai surinktas, saugos jungiklis neleis įjungti pūstuvo.

1. Užstumkite pūstuvu vamzdį (A) ant pūtimo išvado (B). Užraktas (C) užsifiksuoja, kai išgirstate spragtelėjimą.



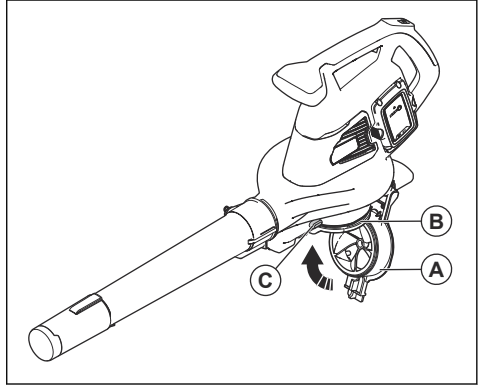
2. Uždėkite pūstuvu antgalį (D) ant pūstuvu vamzdžio. Pūstuvu antgalis užsifiksuoja, kai išgirstate spragtelėjimą.

Oro įsiurbimo angos gaubto surinkimas

Pasižymėkite:

Jei oro įsiurbimo angos gaubtas bus surinktas netinkamai, saugos jungiklis neleis įjungti pūstuvo.

- Uždarykite oro įsiurbimo angos gaubtą (A) ant pūstuvu įvado (B). Užraktas (C) užsifiksuoja, kai išgirstate spragtelėjimą.



Siurblio režimas



PERSPĒJIMAS:

Prieš pradėdami naudoti gaminį nustatę siurbimo režimą, iki galo surinkite siurbimo vamzdį ir surinkimo maišą.

Siurbimo vamzdžių surinkimas

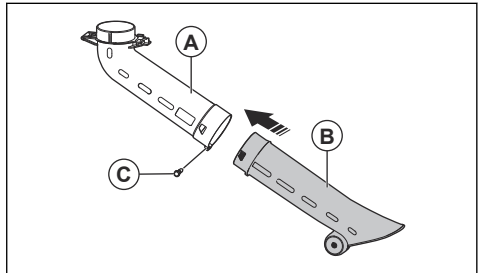


PERSPĒJIMAS:

Prieš paleisdami gaminį surinkite viršutinį ir apatinį siurbimo vamzdžius.

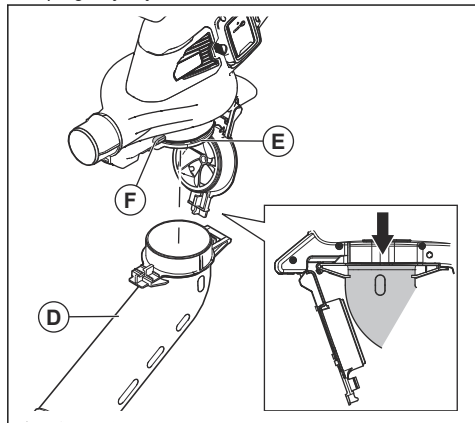
Pasižymėkite: Jei siurbimo vamzdis nebus surinktas tinkamai, saugos jungiklis neleis įjungti siurblio.

1. Sulygiuokite viršutinio siurbimo vamzdžio (A) angas su iškyšomis ant apatinio siurbimo vamzdžio (B).



2. Stumkite apatinį siurbimo vamzdį ant viršutinio vamzdžio, kol išgirsite spragtelėjimą.
3. Priveržkite varžtą (C).

- Sumontuokite siurbimo vamzdį (D) ant siurbimo įvado (E). Užraktas (F) užsifiksuoja, kai išgirstate spragtelėjimą.



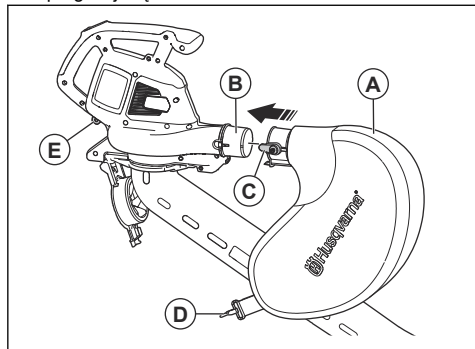
Surinkimo maišo surinkimas

Pasižymėkite: Jei surinkimo maišas tinkamai neprijungtas, saugos jungiklis sustabdys gaminio paleidimo procedūrą.

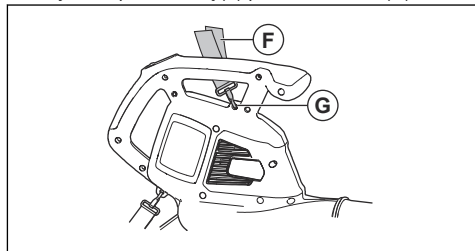


PERSPĖJIMAS: Prieš uždėdami arba nuimdami maišą sustabdykite įrenginį.

- Nuimkite pūtimo vamzdį, jei jis sumontuotas ant gaminio.
- Stumkite surinkimo maišą (A) ant siurbimo išvado (B). Užraktas (C) užsifiksuoja, kai išgirstate spragtelėjimą.



- Prijunkite surinkimo maišo diržą (D) prie fiksatoriaus (E).
- Prijunkite peties diržą (F) prie fiksatoriaus (G).



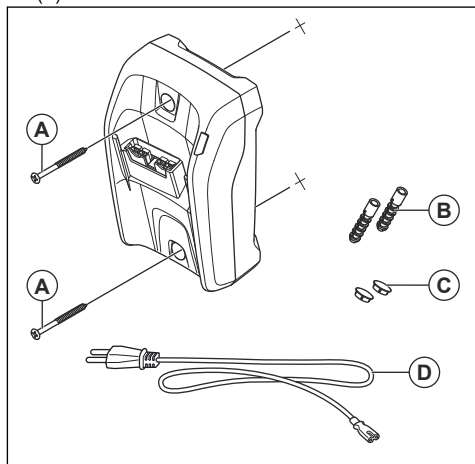
- Išitinkite, kad surinkimo maišas visiškai uždarytas.

Akumulatoriaus įkroviklio tvirtinimas prie sienos



PASTABA: Montuodami akumuliatorių įkroviklį ant sienos, nenaudokite elektrinių atsuktuvų. Elektriniu atsuktuvu galima pakenkti akumuliatorių įkrovikliui.

- Pritvirtinkite akumuliatoriaus įkroviklį prie sienos 2 varžtais (A). Jei reikia, naudokite sieninius kaiščius (B).



- Įkiškite 2 varžto angos kaiščius (C).
- Prijunkite laidą (D) prie akumuliatoriaus įkroviklio ir įjunkite jį į maitinimo tinklą.

Naudojimas

Įvadas



PERSPĖJIMAS: Prieš naudodami gaminių perskaitykite ir supraskite skyrių apie saugą.

Funkcijų patikra prieš įrenginio naudojimą

1. Apžiūrėkite, ar ant oro įsiurbimo angos nėra purvo ar įtrūkimų. Šepečiu nuvalykite nuo įrenginio lapus ir žolę.
2. Įsitinkinkite, kad įrenginys veikia tinkamai.
3. Patikrinkite visus varžtus ir veržles, tada patikrinkite jų priveržimą.

Akumuliatorius



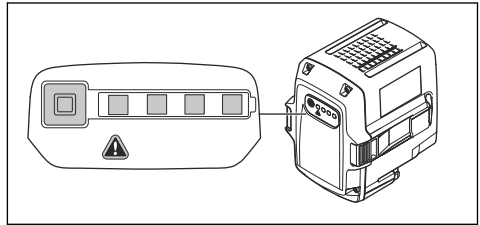
PERSPĖJIMAS: Prieš naudodami akumuliatorių perskaitykite ir supraskite skyrių apie saugą. Perskaitykite ir supraskite akumuliatoriaus bei akumuliatoriaus įkroviklio naudojimo instrukcijas.

Akumuliatorių ir akumuliatoriaus įkroviklį laikykite tinkamoje aplinkos temperatūroje.

	Aplinkos temperatūra
Akumuliatoriaus veikimas	5 °C–40 °C / 41 °F–104 °F
Akumuliatoriaus įkrovimas	5 °C–40 °C / 41 °F–104 °F

Akumuliatoriaus būseną

Ekране rodoma akumuliatoriaus įkrovos būseną ir galimos akumuliatoriaus problemos.



LED indikatorius lemputė	Akumuliatoriaus įkrovimo būseną
Šviečia 4 LED indikatoriai	Akumuliatorius įkrautas 76–100 %.
Šviečia 3 LED indikatoriai	Akumuliatorius įkrautas 51–75 %.
Šviečia 2 LED indikatoriai	Akumuliatorius įkrautas 26–50 %.
Šviečia 1 LED indikatorius	Akumuliatorius įkrautas 6–25 %.
Mirksi 1 LED indikatorius	Akumuliatorius įkrautas 0–5 %.

Akumuliatoriaus įkrovimas

Jeigu naudojate įrenginį pirmą kartą, įkraukite akumuliatorių. Naujas akumuliatorius įkrautas tik 30 %.

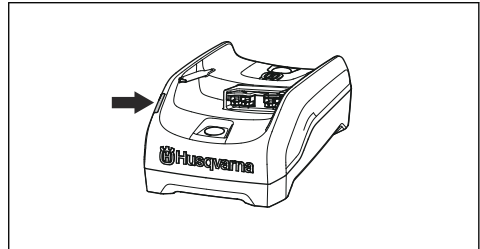


PASTABA: Prijunkite akumuliatoriaus įkroviklį tik prie nominalių parametrų plokštelėje nurodytos įtamos ir dažnio maitinimo lizdo.

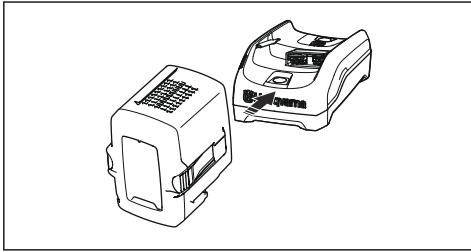
Jei akumuliatoriaus temperatūra yra didesnė nei 50 °C (122 °F), jo nepavyks įkrauti.

1. Prijunkite maitinimo laidą prie akumuliatorių įkroviklio.

2. Prijunkite akumuliatoriaus įkroviklį prie žeminto maitinimo lizdo. Įkrovimo LED indikatorius mirksi vieną kartą.



3. Prijunkite akumuliatorių prie įkroviklio. Įsižiebia įkrovimo šviesos diodas. Akumuliatorių kraukite daugiausia 24 valandas.



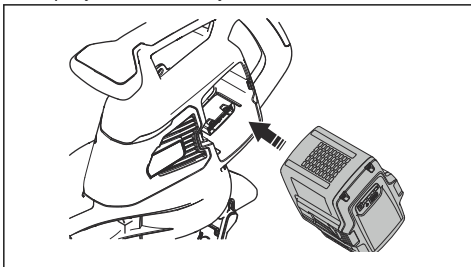
4. Paspauskite akumuliatoriaus indikacinį mygtuką; jei užsidega visi LED indikatoriai, akumuliatorius visiškai įkrautas.
5. Ištraukite akumuliatoriaus įkroviklį iš maitinimo lizdo. Netraukite už elektros laido.
6. Iš įkroviklio išimkite akumuliatorių.

Akumuliatoriaus prijungimas prie įrenginio

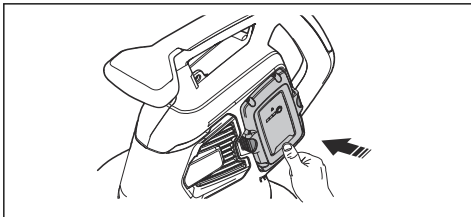


PERSPĖJIMAS: Įrenginyje naudokite tik Husqvarna originalius akumuliatorius.

1. Įsitikinkite, kad akumuliatorius visiškai įkrautas.
2. Įstatykite akumuliatorių į įrenginio akumuliatoriaus laikiklį. Akumuliatorius įstatomas lengvai. Jeigu nepavyksta, vadinasi, įstatomas netinkamai.

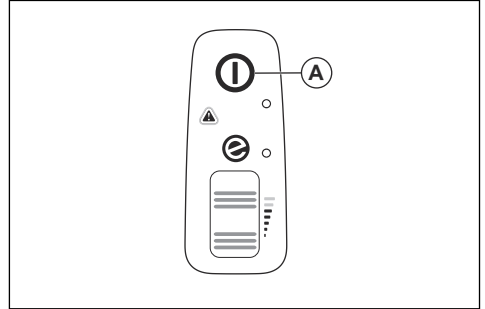


3. Paspauskite apatinę akumuliatoriaus dalį ir stumkite jį, kol jis įeis į akumuliatoriaus skyrį. Kai išgirsite spragtelėjimą, akumuliatorius bus užfiksuotas.
4. Įsitikinkite, kad fiksatoriai tinkamai įsitvirtino.

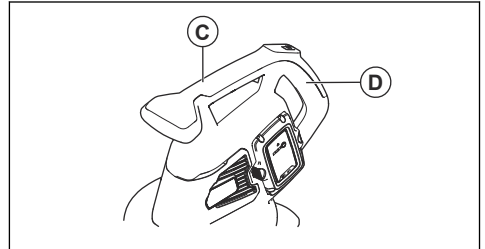


Gaminio paleidimas

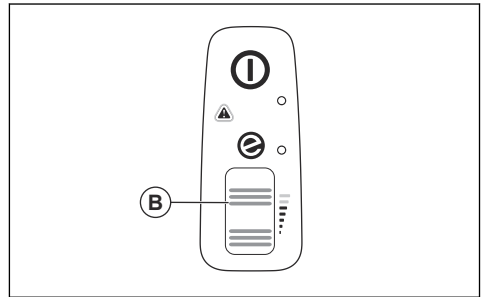
1. Paspauskite ir laikykite nuspauštą įjungimo / stabdymo mygtuką (A), kol ims šviesti žalias LED indikatorius.



2. Viena ranka laikykite pagalbinę rankeną (C), o kita ranka laikykite pagrindinę rankeną (D).

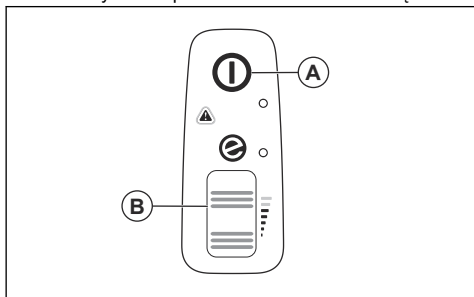


3. Slinkite maitinimo mygtuku (B) aukštyn, kad įjungtumėte pūtimo arba siurbimo režimą.



Gaminio sustabdymas

1. Slinkite maitinimo mygtuku (B) žemyn, kad sustabdytumėte pūtimo arba siurbimo režimą.

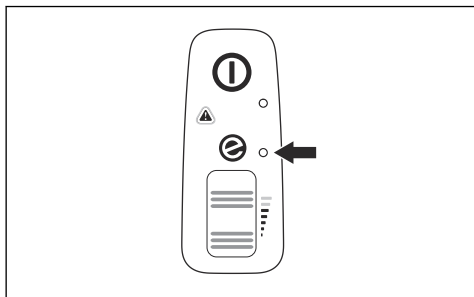


2. Paspauskite ir laikykite nuspaustą paleidimo / stabdymo mygtuką (A), kol užges žalias LED indikatorius.

ECO režimas

ECO režimas pailgina akumulatoriaus eksploatavimo laiką.

- Slinkite maitinimo mygtuku žemyn, kad įjungtumėte ECO režimą. Įjungus ECO režimą užsidega LED indikatorius.



- Slinkite maitinimo mygtuku aukštyn, kad būtų įjungtas įprastas režimas. LED indikatorius užgesa, kai įjungiamas įprastas režimas.

Surinkimo maišo ištuštinimas



PERSPĖJIMAS:

Aštrūs objektai gali sužeisti. Ištuštinami surinkimo maišą neikiškite į jį rankų.

1. Sustabdykite gaminį.
2. Nuimkite surinkimo maišą.
3. Išverskite surinkimo maišą ir pašalinkite iš jo surinktus objektus.
4. Nuplaukite surinkimo maišą vandeniu iš žarnos.
5. Leiskite surinkimo maišui išdžiūti.
6. Surinkite surinkimo maišą.

Automatinio išjungimo funkcija

Šis gaminys turi automatinio išjungimo funkciją, kuri išjungia gaminį, jei jis nenaudojamas. Gaminys išjungiamas po 1 minutės.

Techninė priežiūra

Įvadas



PERSPĖJIMAS: Prieš atlikdami priežiūros darbus perskaitykite ir supraskite saugos skyriaus informaciją.

Techninės priežiūros grafikas



PERSPĖJIMAS: Prieš atlikdami priežiūros darbus išimkite akumulatorių.

Toliau pateiktas būtinų gaminio priežiūros darbų sąrašas.

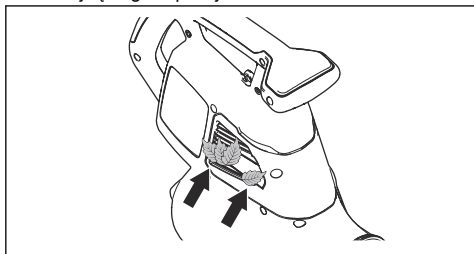
Techninė priežiūra	Kasdien	Kas savaitę	Kas mėnesį
Gaminio išorę valykite švaria ir sausa šluoste. Nenaudokite vandens.	X		
Rankenos visuomet turi būti sausas, švarios ir neištepotos alyva ar tepalais.	X		
Išitikinkite, kad tinkamai veikia ir nepažeistas įjungimo / išjungimo mygtukas.	X		

Techninė priežiūra	Kasdien	Kas savaitę	Kas mėnesį
Įsitinkite, kad maitinimo mygtukas veikia tinkamai, kad būtų užtikrintas saugumas.	X		
Patikrinti varžtų ir veržlių priveržimą.	X		
Patikrinti, ar nepažeistas akumuliatorius.	X		
	X		
Patikrinti, ar tinkamai veikia akumuliatoriaus atlaisvinimo mygtukai ir ar akumuliatorius užsifiksuoja gaminyje.	X		
Patikrinti, ar nepažeistas akumuliatoriaus įkroviklis, ir įsitikinti, kad jis veikia tinkamai	X		
Patikrinti, ar nepažeistos jungtys, sujungimai, kabeliai ir ar ant jų nėra nešvarumų.		X	
Patikrinti jungtis tarp akumuliatoriaus ir gaminio bei jungtis tarp akumuliatoriaus ir akumuliatoriaus įkroviklio.			X
Išvalyti oro įleidimo angas minkštu šepetėliu (ne atsuktuvu).	X		
Nuimti ir išvalyti pūtimo vamzdį arba siurbimo vamzdį.	X		
Ištuštinti ir išvalyti surinkimo maišą. Žr. <i>Surinkimo maišo ištuštinimas psl. 320.</i>	X		
Iš įtraukimo angos ir nuo jos gaubto pašalinti žoles, lapus, nešvarumus ir kitas nepageidaujamas medžiagas.	X		
Patikrinti ventiliatoriaus sparnuotės švarą ir, jei reikia, nuvalyti sparnuotę buku ilgu objektu.	X		

Oro įsiurbimo patikra

Dėl to gali sugesti variklis, nes per daug įkaista.

1. Įsitikinti, kad oro įsiurbimo angos neužblokuotos nė vienoje įrenginio pusėje.



2. Išjungti gaminį ir, jeigu būtina, pašalinti lapus arba nepageidaujamą medžiagą.



PASTABA: Dėl blokuojamų oro įsiurbimo angų sumažėja gaminio pūtimo galia ir kyla variklio darbinė temperatūra.

Akumuliatoriaus ir akumuliatoriaus įkroviklio patikra

1. Patikrinkite, ar nepažeistas akumuliatorius, pvz., nėra įtrūkimų.
2. Patikrinkite, ar nepažeistas akumuliatorių įkroviklis, pvz., nėra įtrūkimų.
3. Įsitinkite, kad akumuliatoriaus įkroviklio prijungimo laidas nepažeistas ir be įtrūkimų.

Įrenginio, akumuliatoriaus ir akumuliatorių įkroviklio valymas

1. Baigę darbą nuvalykite įrenginį sausa šluoste.
2. Nuvalykite akumuliatorių ir akumuliatorių įkroviklį sausa šluoste. Akumuliatoriaus uždėjimo takeliai turi būti švarūs.
3. Prieš įstatydami akumuliatorių į akumuliatorių įkroviklį ar įrenginį, įsitinkite, kad akumuliatoriaus kontaktai ir akumuliatorių įkroviklio kontaktai yra švarūs.

Gedimai ir jų šalinimas

Naudotojo sąsaja

Naudotojo sąsaja	Galimi gedimai	Galimas sprendimas
Mirksi raudonas klaidos LED indikatorius.	Temperatūros svyravimai.	Leiskite produktui atvėsti.
	Nuimtas vamzdžio arba ventiliatoriaus gaubtas.	Uždėkite vamzdžio arba ventiliatoriaus gaubtą.
	Akumuliatoriaus klaida.	Pakeiskite akumuliatorių arba jį įkraukite.
	Reikia atlikti techninę priežiūrą.	Kreipkitės į techninio aptarnavimo atstovą.
Nepavyksta paleisti gaminio.	Nešvarios baterijos kontaktinės jungtys.	Nuvalykite minkštu šepetėliu ar pūsdami suslėgtąjį orą.

Akumuliatorius

LED ekranas	Galimi gedimai	Galimas sprendimas
Mirksi žalios spalvos šviesos diodas.	Nepakankama baterijos įtampa.	Įkraukite akumuliatorių.
Mirksi klaidos diodas.	Temperatūros svyravimai.	Akumuliatorių naudokite nuo -10 °C (14 °F) iki 40 °C (104 °F) temperatūroje.
	Per didelė įtampa.	Įsitikinkite, kad elektros tinklo įtampa atitinka tą, kuri yra nurodyta ant gaminio. Žr. nominalių parametrų plokštelę ant gaminio. Iš įkroviklio išimkite akumuliatorių.
Įsižiebia klaidos šviesos diodas	Pernelyg didelis bloką skirtumas (1 V).	Kreipkitės į techninio aptarnavimo atstovą.

Akumuliatoriaus įkroviklis

Būklė	Galimi gedimai	Galima procedūra
Įkrovimo šviesos diodas yra raudonos spalvos.	Nepataisoma akumuliatoriaus įkroviklio klaida.	Susisieki su savo prekybos atstovu.

Būklė	Galimi gedimai	Galima procedūra
Įkrovimo šviesos diodas mirksi žaliai.	Temperatūros svyravimai, akumuliatorius yra per šaltas arba per karštas.	Leiskite akumuliatoriui atvėsti arba išilti. Kai akumuliatorius yra tinkamos temperatūros, jį galima vėl naudoti arba įkrauti. Akumuliatoriaus įkroviklį naudokite esant nuo 5 °C (41 °F) iki 40 °C (104 °F) aplinkos temperatūrai.
Įkrovimo šviesos diodas mirksi raudonai.	Akumuliatoriaus gedimas	Susisieki su savo prekybos atstovu.

Transportavimas, saugojimas ir utilizavimas

Gabenimas ir laikymas

- Pateikiamam ličio jonų akumuliatoriui taikomos pavojingų krovinių gabenimo taisyklės.
- Laikykitės specialių komercinių krovinių gabenimui, įskaitant trečiųjų šalių ar tarpininko transporto priemonėmis, taikomų reikalavimų dėl pakavimo ir ženklinimo.
- Pasitarkite su pavojingų medžiagų gabenimo specialistu prieš siųsdami įrenginį. Laikykitės visų taikomų nacionalinių reikalavimų.
- Pakuodami akumuliatorių uždėkite juostą ant atvirų kontaktų. Tvirtai supakuokite akumuliatorių, kad jis nejudėtų.
- Prieš pastatydami saugoti, visuomet leiskite įrenginiui atvėsti.
- Sandėliavimo ar transportavimo metu atjunkite akumuliatorių.
- Akumuliatorių ir akumuliatorių įkroviklį laikykite sausoje, drėgnoje ir teigiamos temperatūros vietoje.
- Nelaikykite akumuliatoriaus tokioje vietoje, kur gali susidaryti statiniai krūviai. Nelaikykite akumuliatoriaus metalinėje dėžutėje.
- Laikykite akumuliatorių vietoje, kurios temperatūra nuo 5 °C / 41 °F iki 25 °C / 77 °F, saugokite nuo tiesioginių saulės spindulių.
- Laikykite akumuliatorių įkroviklį vietoje, kurios temperatūra nuo 5 °C / 41 °F iki 45 °C / 113 °F, saugokite nuo tiesioginių saulės spindulių.
- Akumuliatoriaus įkroviklį naudokite, tik kai aplinkos temperatūra yra 5–40 °C / 41–104 °F.
- Prieš saugodami ilgesnį laiką pasirūpinkite, kad akumuliatorius būtų įkrautas 30–50 %.

- Akumuliatorių įkroviklį laikykite uždaroje ir sausoje patalpoje.
- Saugodami išimkite akumuliatorių iš akumuliatoriaus įkroviklio. Neleiskite vaikams ar kitiems nepatvirtintiems asmenims liesti įrenginio. Įrenginį laikykite užrakinamoje vietoje.
- Prieš saugodami gaminį ilgesnį laiką, išvalykite jį ir atlikite visus techninės priežiūros darbus.
- Transportuodami ar sandėliuodami įrenginį naudokite įrenginio transportavimo apsaugą, kad išvengtumėte sužalojimų ar produkto sugadinimo.
- Gabendami saugiai pritvirtinkite įrenginį.

Akumuliatoriaus, akumuliatorių įkroviklio ir įrenginio šalinimas

Tolesnis simbolis nurodo, kad įrenginys nepriskiriamas buitiniams atliekoms. Nuvežkite jį į elektros ir elektronikos įrenginių perdirbimo punktą. Taip saugosite nuo taršos aplinką ir žmones.

Daugiau informacijos kreipkitės į atsakingas vietas institucijas, buitinių atliekų priežiūros tarnybą ar prekybos atstovą.



Pasižymėkite: Simbolis, rodomas ar įrenginio arba įrenginio pakuotės.

Techniniai duomenys

Techniniai duomenys

	120iBV
Variklis	
Variklio tipas	BLDC (be šepetėlių) 36 V
Svoris	
Svoris be akumulatoriaus, kg	4,6
Skleidžiamas triukšmas ⁵²	
Garso galios lygis, išmatuotas dB (A)	97
Garso galios lygis, garantuojamas L _{WA} dB (A)	100
Garso lygiai ⁵³	
Ekvivalentinis garso slėgio lygis naudotojo ausyse, išmatuotas pagal EN ISO 11203 ir ISO 22868, dB(A)	84
Vibracijos lygis ⁵⁴	
Vibracijos lygis priekinėje / galinėje rankenoje išmatuotas pagal ISO 22867, m/s ²	1,4/1,7
Ventiliatoriaus parametrai	
Oro srautas įprastu režimu naudojant įprastą antgalį (m ³ /min.)	6,7
Maks. oro greitis įprastu režimu su standartiniu antgaliu, m/s / m/val.	50/111

Triukšmo ir vibracijos duomenys nustatomi pagal nominalųjį didžiausią greitį.

Patvirtinti akumulatoriai

Šiam gaminiui naudokite tik Husqvarna originalius 40-B akumulatorius

Patvirtinti akumulatoriai

Akumulatorius	40-B140
Tipas	Ličio jonų
Akumulatoriaus talpa, Ah	4
Nominali įtampa, V	36

⁵² Triukšmas, skleidžiamas į aplinką, išmatuotas kaip garso galia (L_{WA}) pagal EB direktyvą 2000/14/EB. Pateiktas įrenginio garso stiprumo lygis buvo išmatuotas naudojant didžiausią garsą sukeltantį originalų pjovimo įtaisą. Skirtumas tarp garantuojamos ir išmatuotos garso galios yra tas, kad pagal Direktyvą 2000/14/EB garantuojama garso galia apima ir matavimo rezultatų sklaidą bei nukrypimus tarp skirtingų to pačio modelio įrenginių.

⁵³ Pateiktuose duomenyse apie ekvivalentinį įrenginio garso slėgio lygį yra 3 dB (A) tipiška statistinė sklaida (standartinis nuokrypis).

⁵⁴ Pateiktuose vibracijos lygio duomenyse yra 1,5 m/s² tipiška statistinė sklaida (standartinis nuokrypis).

Akumulatorius	40-B140
Svoris, kg	1,25

Patvirtinti akumuliatorių įkrovikliai

Akumulatoriaus įkroviklis	40-C80
Maitinimo įtampa, V	100–240
Dažnis, Hz	50–60
Galia, W	72
Išėjimo įtampa, V nuol. srovė / Amperai, A	43 / 1,6

Atitikties deklaracija

ES atitikties deklaracija

Mes, **Husqvarna AB**, SE-561 82 Huskvarna, Švedija, tel.
+46-36-146500, atsakingai patvirtiname, kad gaminy:

Aprašymas	Rankinis sodo pūstuvus / siurblys
Gamintojas	Husqvarna
Tipas / modelis	120iBV
Identifikacijos numeris	Serijos numeriai nuo 2022 m.

visiškai atitinka šias ES direktyvas ir reglamentus:

Reglamentas	Aprašymas
2006/42/EB	„dėl mašinų“
2014/30/ES	„dėl elektromagnetinio suderinamumo“
2011/65/ES	„dėl tam tikrų pavojingų medžiagų naudojimo elektros ir elektroninėje įrangoje apribojimo“
2000/14/EB	„dėl į aplinką skleidžiamo triukšmo“

ir kad laikomasi šių standartų
ir (arba) techninių specifikacijų: EN
60335-1:2012+A11+A13+A14+A15, EN
50636-2-100:2014, EN IEC 63000:2018, EN ISO
12100:2010, EN IEC 55014-1:2021; EN IEC
55014-2:2021

Pagal 2000/14/EB direktyvos V priedą, žr. *Techniniai duomenys psl. 324* nurodytąsias garso vertes.

Huskvarna, 2023-01-16



Claes Losdal, Mokslinių tyrimų ir plėtros skyriaus
vadovas, „Husqvarna AB“

Atsakingas už techninę dokumentaciją

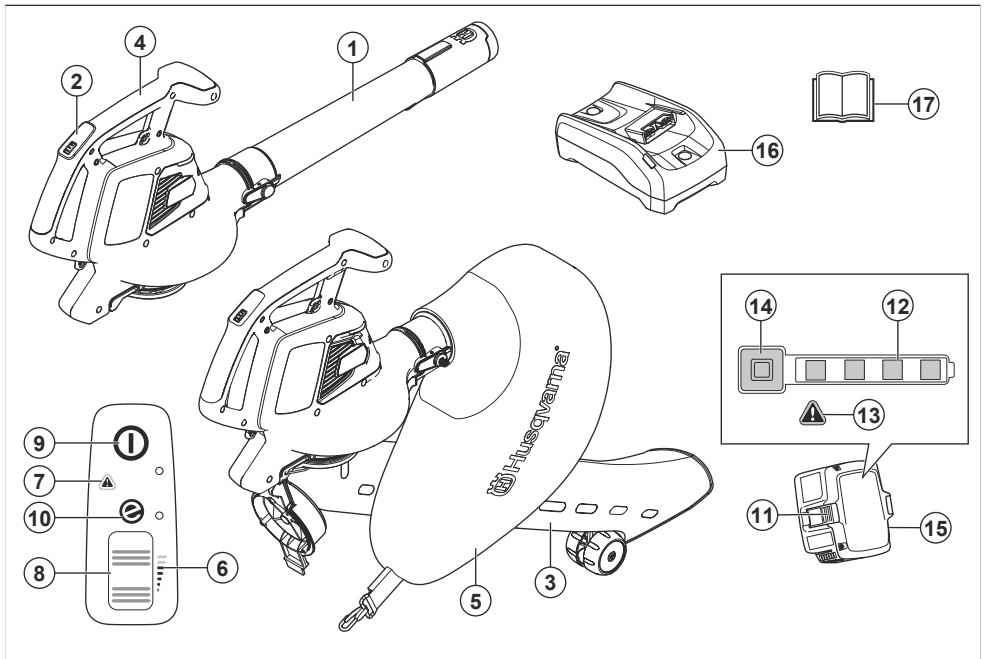


Sadržaj

Uvod.....	327	Rješavanje problema.....	339
Sigurnost.....	329	Prijevoz, spremanje i zbrinjavanje.....	340
Sastavljanje.....	333	Tehnički podaci.....	341
Rad.....	335	Izjava o sukladnosti.....	343
Održavanje.....	338		

Uvod

Pregled proizvoda



1. Cijev puhača
2. Tipkovnica
3. Cijev usisivača
4. Ručica
5. Vreća za sakupljanje
6. Indikator protoka zraka
7. Indikator upozorenja (LED svjetlo pogreške)
8. Kotačić napajanja
9. Gumb START/STOP
10. Indikator Save
11. Gumbi za otpuštanje baterije
12. Status baterije
13. Indikator upozorenja (LED svjetlo pogreške)
14. Napajanje i indikator upozorenja
15. Baterija je uključena samo u komplet puhača Husqvarna 120iBV
16. Punjač baterije uključen je samo u komplet puhača Husqvarna 120iBV
17. Korisnički priručnik

Opis proizvoda

Husqvarna 120iBV je model vrtnog puhača/usisivača s električnim motorom.

Naša politika obuhvaća neprekidan razvoj proizvoda i stoga zadržavamo pravo na preinake dizajna i izgleda proizvoda bez prethodne obavijesti.

Namjena

Način rada za puhanje: Puhač je dizajniran za otpuhivanje čestica prijavštine ili odsječene trave sa staza, prilaza, dvorišta i sličnih površina. Također je konstruiran za otpuhivanje odsječene trave, slame ili lišća za izradu stogova ili za uklanjanje čestica prijavštine iz uglova, spojeva ili procijepa između pločica ili opeka.

Način rada za usisavanje: Usisivač je konstruiran za usisavanje suhog materijala. U njega se ubraja lišće, trava, male grane te komadići papira.

Simboli na proizvodu



UPOZORENJE: Ovaj proizvod može biti opasan i izazvati teške ozljede ili smrt rukovatelja ili drugih osoba. Budite oprezni i pravilno upotrebljavajte ovaj proizvod.



Pažljivo pročitajte korisnički priručnik i dobro usvojite sadržaj uputa prije upotrebe proizvoda.



Upotrebljavajte odobrenu zaštitu za oči.

V

Nazivni napon, V



Istosmjerna struja.



Naljepnica emisije buke u okoliš u skladu s direktivama i propisima EU i UK te propisom Novog Južnog Walesa „Zaštita od radova u okolišu (kontrola buke) iz 2017“. Zajamčena razina jačine zvuka proizvoda naznačena je u *Tehnički podaci na stranici 341* i na naljepnici.



Odspojite bateriju prije održavanja.



Ni proizvod ni njegova ambalaža ne spadaju u kućanski otpad. Reciklirajte ga u reciklažnoj stanici za električnu i elektroničku opremu.



Proizvod ispunjava mjerodavne direktive EZ.

UK
CA

Ovaj je proizvod u skladu s važećim direktivama UK-a.



Nemojte izlagati kiši.



Nakon isključivanja proizvoda pričekajte na zauzavljanje lopatica rotora.



Proizvod u načinu rada za usisavanje upotrebljavajte samo sa cijelom cijevi.



Korisnik stroja mora biti siguran da na udaljenosti manjoj od 15 m nema ljudi ili životinja. Kada nekoliko korisnika radi na istoj lokaciji sigurnosna udaljenost mora biti barem 15 m. Puhač može snažno odbaciti predmete koji mogu odskočiti natrag. To može rezultirati teškim ozljedama oka ako se ne upotrebljava preporučena zaštitna oprema.



yyyy wwwxxxx

Na natpisnoj pločici je serijski broj. gggg je godina proizvodnje, a tt je tje-dan proizvodnje.

Napomena: Drugi simboli/naljepnice na priboru odnose se na zahtjeve za certifikaciju za pojedina tržišta.

Simboli na bateriji i/ili punjaču baterija



Reciklirajte ovaj proizvod u reciklažnoj stanici za električnu i elektroničku opremu. (Primjenjuje se samo na Europu)



Sigurnosni transformator.



Punjač baterije koristite i čuvajte isključivo u zatvorenom prostoru.



Dvostruka izolacija.

Proizvođač

Husqvarna AB

Drottninggatan 2, SE-561 82 Huskvarna

Oštećenje proizvoda

U sljedećim okolnostima nećemo biti odgovorni za oštećenja proizvoda:

- proizvod nepravilno popravljen
- proizvod popravljen dijelovima koje nije proizveo proizvođač ili nemaju odobrenje proizvođača
- proizvod ima dodatnu opremu koje nije proizveo proizvođač ili nemaju odobrenje proizvođača
- proizvod nije popravljen u odobrenom servisnom centru ili kod ovlaštene osobe.

Sigurnost

Sigurnosne definicije

Upozorenjima, oprezima i napomenama naglašavaju se posebno važni dijelovi uputa za rukovanje.



UPOZORENJE: Upotrebljava se kada nepridržavanje uputa iz priručnika može uzrokovati smrt ili ozljede rukovatelja ili promatrača.



OPREZ: Upotrebljava se kada nepridržavanje uputa iz priručnika može uzrokovati oštećenje proizvoda i/ili priključka te drugih materijala u neposrednoj blizini.

Napomena: Upotrebljava se za prikaz neophodnih dodatnih informacija za zadanu situaciju.

Opće sigurnosne upute



UPOZORENJE: Prije upotrebe proizvoda pročitajte upute upozorenja u nastavku.

- Pažljivo pročitajte upute kako biste se upoznali s komandama i ispravnom upotrebom stroja. Nepravilnom ili nemarnom upotrebom proizvod može postati opasan alat te prouzročiti ozbiljne ili čak smrtonosne ozljede korisnika i drugih.
- Ni u kojem slučaju ne smijete mijenjati dizajn proizvoda bez odobrenja od proizvođača. Nikad nemojte upotrebljavati proizvod koji je na bilo koji način izmijenjen u odnosu na prvobitnu specifikaciju te obavezno upotrebljavajte originalnu dodatnu opremu. Neovlaštene izmjene i/ili rezervna oprema može uzrokovati ozbiljne osobne ozljede ili smrt rukovatelja ili drugih osoba. Jamstvo ne mora pokrивati oštećenje ili obuhvaćati odgovornost za upotrebu neovlaštene dodatne opreme ili zamjenskih dijelova.

- Proizvod tijekom rada proizvodi elektromagnetsko polje. To polje u određenim okolnostima može ometati aktivne ili pasivne medicinske implantate. Za smanjenje opasnosti od uvjeta koji mogu uzrokovati ozljede ili smrt, osobama s medicinskim implantatima prije korištenja ovog uređaja preporučujemo obraćanje liječniku i proizvođaču medicinskog implantata.
- Tijekom punjenja izvadite bateriju iz proizvoda.

Opća sigurnosna upozorenja za električne alate

Provjera prije uključivanja

- Pregledajte radno područje. Uklonite sve labave predmete poput kamenja, potrganog stakla, čavala, čelične žice, užadi i sl. koji bi se mogli izbaciti.
- Uvijek uklonite bateriju kako biste spriječili slučajno pokretanje stroja. Prije svakog održavanja stroja obavezno odspojite bateriju.
- Prije uporabe stroja i nakon svakog udara provjerite ima li znakova istrošenosti ili oštećenja te prema potrebi popravite.
- Upotrebljavajte samo originalne rezervne dijelove.
- Korisnik stroja mora biti siguran da za vrijeme rada stroja ljudi ili životinje ne prilaze na bliže od 15 metara. Kada nekoliko korisnika radi na istom području, sigurnosna udaljenost trebala bi biti barem 15 metara.
- Prije upotrebe pregledajte stroj. Vidi plan održavanja.
- Način upotrebe mogli bi određivati nacionalni ili lokalni propisi. Poštujte navedene propise.

Osobna sigurnost

- **Budite usredotočeni, pazite što radite i razumno upravljajte električnim alatom. Električni alat nemojte upotrebljavati umorni ili pod djelovanjem droga, alkohola ili lijekova.** Trenutak nepažnje pri rukovanju električnim alatom može uzrokovati ozbiljne tjelesne ozljede.
- Promatračima onemogućite pristup.

- Uređaj ne smiju koristiti osobe (uključujući djecu) s umanjanim fizičkim, osjetilnim ili mentalnim sposobnostima ili nedostatkom iskustva i znanja, osim ako im osoba odgovorna za njihovu sigurnost nije osigurala nadzor ili uputila u sigurno korištenje uređaja. Djecu treba nadzirati kako se ne bi igrala s uređajem.
- Djeci ili osobama koje nisu upoznate s ovim uputama nemojte dopustiti upotrebu proizvoda. Dob korisnika može biti ograničena lokalnim propisima.
- Neovlaštenim osobama uskratite pristup. Djeca, životinje, promatrači i pomagači moraju ostati izvan sigurnosnog područja od 15 m (50'). Ako se netko približi, odmah zaustavite stroj.
- Opremu spremite u zaključan prostor kako bi bila izvan dohvata djece i neovlaštenih osoba.
- Stroj nemojte upotrebljavati na popločanim ili šljunčanim podlogama jer odbačeni materijal može uzrokovati ozljedu.
- Prilikom rukovanja strojem uvijek nosite prikladnu obuću i duge hlače. Strojem nemojte rukovati bosonogi ni u otvorenim sandalama. Nemojte nositi široku odjeću ili odjeću s visećim vezicama.
- Nemojte nositi široku odjeću ili nakit koji može povući usis zraka. Dugu kosu držite podalje od usisa zraka.
- Stroj nikada nemojte upotrebljavati ako ste umorni, ako ste pili alkohol ili uzeli lijek koji djeluje na vaš vid, sposobnost rasuđivanja ili koordinaciju.
- Nosite osobnu zaštitnu opremu. Pogledajte upute pod naslovom "Osobna zaštitna oprema".
- Obavezno uklonite bateriju pri predaji proizvoda drugoj osobi.
- Imajte na umu da ste vi kao rukovatelj odgovorni za zaštitu drugih osoba ili njihove imovine od nezgoda ili opasnosti.

Korištenje i održavanje električnog alata

- Nikad nemojte koristiti stroj koji je na bilo koji način modificiran u odnosu na prvobitnu specifikaciju. Stroj nikada nemojte koristiti u blizini eksplozivnih ili zapaljivih materijala.
- Nikada nemojte koristiti stroj koji je neispravan. Redovno vršite sigurnosne provjere, održavanje i servis kao što je opisano u ovom priručniku. Neke od radnji održavanja i servisiranja trebaju vršiti isključivo obučeni i kvalificirani stručnjaci. Pogledajte upute u odjeljku "Održavanje".
- Koristite samo originalne rezervne dijelove.
- Otvori za ventilaciju moraju biti čisti od khratina.
- Svi poklopci, štitnici i ručke moraju biti namješteni prije pokretanja.
- Stroj koristite samo tijekom dana ili u uvjetima dobrog osvijetljenja.
- Stroj nikada nemojte upotrebljavati po lošem vremenu, primjerice po magli, kiši, na sparnim ili mokrim lokacijama, po jakom vjetru, intenzivnoj

hladnoći, tijekom grmljavine itd. Po iznimno vrućem vremenu moguće je pregrijavanje stroja. Rad po lošem vremenu umara i može uzrokovati opasne uvjete, primjerice klizave površine.

- Ako stroj počne neuobičajeno vibrirati, zaustavite stroj i uklonite akumulator.
- Hodajte, nemojte trčati.

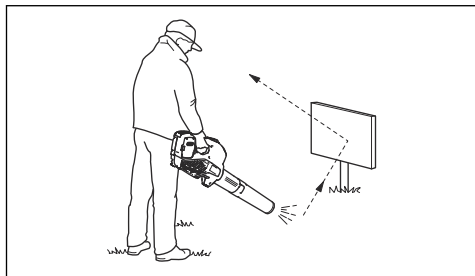
Sigurnosne upute za rad



UPOZORENJE: Prije upotrebe proizvoda pročitajte upute upozorenja u nastavku.

- Ako dođete u situaciju u kojoj niste sigurni što napraviti, obratite se stručnjaku. Obratite se zastupniku ili serviseru. Izbjegavajte sve situacije koje bi mogle nadilaziti vaše sposobnosti.
- Osigurajte sigurno kretanje i stav. Provjerite ima li u okolnom području prepreka (korijenja, kamenja, grana, rupa i slično) za slučaj naglog kretanja. Budite izuzetno oprezni pri radu na kosini.
- Obavezno održavajte ravnotežu i stabilan položaj. Ne posežite predaleko.
- Uvijek pazite na znakove upozorenja ili dovike prilikom upotrebe zaštite sluha. Obavezno uklonite zaštitu sluha odmah po zaustavljanju proizvoda.
- Proizvod nemojte upotrebljavati u blizini otvorenih prozora.
- Budite obzirni prema obližnjim osobama i proizvod nemojte upotrebljavati u neprikladno vrijeme, npr. kasno navečer ili rano ujutro. Poštujte lokalne propise i uredbe.
- Proizvod upotrebljavajte s najnižim mogućim protokom zraka. Rijetko je potrebno upotrebljavati puni protok zraka, a brojni radni postupci mogu provesti s pola protoka zraka. Manji protok zraka znači manje buke i prašine, a lakše je i zadržati kontrolu nad smećem koje se sakuplja/premješta.
- U prašnjavim uvjetima lagano namočite površinu dok koristite proizvod.
- Otpad zalijepljen za tlo uklonite grabljama ili četkom.
- Otvor puhača držite što bliže tlu.
- Pratite okolinu. Proizvod usmjerite od ljudi, životinja, igrališta, automobila, itd.
- Laganim ovlaživanjem prašnja područja ili upotrebom opreme za raspršivanje vrijeme puhanja smanjite na minimum.
- Pazite na smjer puhanja vjetra. Da bi rad bio lakši, radite uz vjetar.
- Ako proizvod počne neuobičajeno vibrirati, zaustavite ga i uklonite bateriju.
- Premještanje većih hrpa puhačem dugotrajno je i stvara nepotrebnu buku.
- Nakon rada počistite za sobom. Otpad nemojte otpuhati u nečiji vrt.
- Nemojte trčati s proizvodom.

- Snažne zračne struje predmete mogu pomicati brzinom koja može uzrokovati odbijanje i uzrokovati teške ozljede očiju.



- Mlaz zraka nemojte usmjeravati prema ljudima ili životinjama.
- Prije postavljanja ili uklanjanja dodatne opreme ili drugih dijelova obavezno zaustavite motor.
- Izbjegavajte tjelesni kontakt sa svim vrućim površinama.
- Uključen proizvod dopušteno je spustiti samo ako ga možete nadzirati.
- Zaustavite stroj i uklonite bateriju. Uvjerite se kako su se zaustavili svi pokretni dijelovi:
 - prilikom svakog napuštanja stroja
 - prije čišćenja blokada i odčepeljivanja žlijeba
 - prije pregledavanja, čišćenja ili radova na stroju
- Ako reznim mehanizmom udarite u bilo koji strani predmet ili ako stroj počne proizvoditi neuobičajenu buku ili vibrirati, odmah isključite izvor napajanja i pričekajte da se stroj zaustavi. Prije ponovnog pokretanja i pogona stroja odspojite bateriju od stroja i poduzmite sljedeće korake:
 - provjerite ima li oštećenja
 - zamijenite ili popravite sve oštećene dijelove
 - provjerite ima li nezategnutih dijelova i zategnite ih
- Ako dođe do začepljenja stroja, prije čišćenja nepoželjnog materijala isključite izvor napajanja i odspojite stroj od baterije.
- Stroj nemojte premješati uz izvor napajanja u pogonu.
- Stroj nemojte naginjati uz izvor napajanja u pogonu.
- Puhač se ne smije upotrebljavati na ljestvama ili skelama.



- Proizvod nemojte upotrebljavati ako niste u mogućnosti pozvati pomoć u slučaju nezgode.
- Pazite na izbačene predmete. Kamenje, otpaci i sl. mogu biti izbačeni u oči i uzrokovati sljepilo ili ozbiljne ozljede.
- Za povećanje sigurnosti pri punjenju proizvoda upotrebljavajte zaštitni uređaj diferencijalne struje (RCI). Zaštitni uređaj diferencijalne struje ugrađen je za zaštitu rukovatelja u slučaju električnog kvara.
- Proizvod je poznat po niskoj razini vibracija. Preveliko izlaganje vibracijama može uzrokovati poremećaj cirkulacije ili oštećenje živčanog sustava kod ljudi sa slabom cirkulacijom. Ako imate simptome uzrokovane prevelikim izlaganjem vibracijama, obratite se liječniku. Simptomi uključuju obamrlost, nedostatak osjećaja, škakljanje, trnce, bol, gubitak snage, promjene boje ili stanja kože. Simptomi se uglavnom pojavljuju na prstima, šakama ili zglobovima.
- Proizvod upotrebljavajte samo u skladu s namjenom.
- Nije moguće obuhvatiti sve situacije s kojima se možete susresti. Uvijek postupajte oprezno i slijedite zdrav razum. Izbjegavajte sve situacije izvan vaših sposobnosti. Ako i nakon čitanja ovih uputa niste sigurni u radne postupke, prije nastavka obratite se stručnjaku.

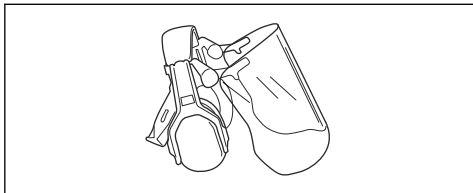
Oprema za osobnu zaštitu



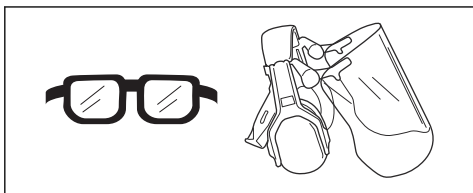
UPOZORENJE: Prije upotrebe proizvoda pročitajte upute upozorenja u nastavku.

- Prilikom uporabe proizvoda uvijek upotrebljavajte odobrenu osobnu zaštitnu opremu. Oprema za osobnu zaštitu ne može u potpunosti spriječiti ozljede, no smanjuje stupanj ozljede u slučaju nezgode. Pri odabiru odgovarajuće opreme zatražite pomoć ovlaštenog trgovca.
- Dugotrajno izlaganje buci može uzrokovati oštećenje sluha. Baterijama napajani proizvodi uglavnom su relativno tihi, no do oštećenja može doći zbog razine buke pri dugotrajnoj upotrebi. rukovateljima preporučuje upotrebu zaštite sluha pri dužoj neprekidnoj upotrebi tijekom dana. Stalni i česti korisnici trebaju redovno provjeravati sluh. Imajte

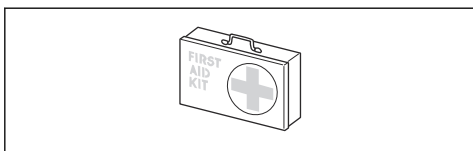
na umu da zaštite sluha ograničavaju sposobnost poimanja zvukova i signala upozorenja.



- Upotrebljavajte odobrenu zaštitu za oči. Ako nosite vizir, morate nositi i odobrene zaštitne naočale. Odobrene zaštitne naočale moraju ispunjavati standard ANSI Z87.1 za SAD ili EN 166 za državu EU.



- Nosite odjeću napravljenu od čvrstog materijala. Uvijek nosite teške duge hlače i duge rukave. Nemojte nositi široku odjeću koja može zapinjati za grane i prutove. Nemojte nositi nakit, kratke hlače, sandale ili biti bos. Kosu podignite iznad ramena.
- Imajte u blizini pribor za prvu pomoć.



- Nosite masku za disanje u prašnjavim radnim uvjetima.

Sigurnosni uređaji na proizvodu



UPOZORENJE: Prije upotrebe proizvoda pročitajte upute upozorenja u nastavku.

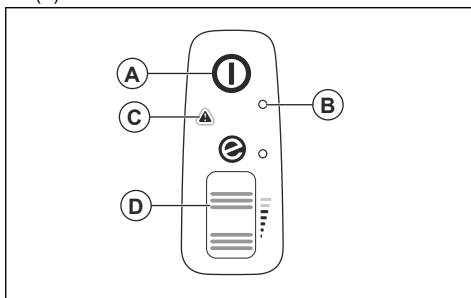
- U ovom odjeljku opisane su sigurnosne značajke proizvoda, njegova namjena te način provedbe provjera i održavanja za osiguranje ispravnog rada. Potražite upute pod naslovom *Pregled proizvoda na stranici 327* kako biste pronašli položaj ovih dijelova na proizvodu.
- Nepravilno održavanje te neprofesionalno servisiranje i/ili popravci proizvoda skraćuju vijek trajanja proizvoda i povećavaju opasnost od nezgoda. Sve dodatne informacije zatražite od najbližeg servisnog trgovca.
- Nikada nemojte upotrebljavati proizvod s oštećenim dijelovima sigurnosne opreme. Provodite provjere

i održavajte sigurnosnu opremu proizvoda prema uputama opisanim u ovom odjeljku. Ako proizvod ne zadovolji bilo koju od ovih provjera, obratite se serviseru radi popravka.

- Za servisiranje i popravak ovog proizvoda potrebna je posebna obuka. Ovo se posebno odnosi na sigurnosnu opremu ovog proizvoda. Ako proizvod ne zadovolji neke od u nastavku navedenih provjera, obratite se serviseru. Pri kupnji naših proizvoda jamčimo dostupnost profesionalnih popravaka i servisa. Ako prodavač koji vam je prodao proizvod nije zadužen i za servisiranje, zatražite adresu najbližeg serviseru.

Provjera tipkovnice

1. Pritisnite i zadržite gumb za pokretanje/zaustavljanje (A).



- a) Proizvod je uključen kada svijetli LED indikator (B).
 - b) Proizvod je isključen kada je LED indikator (B) isključen.
2. Pogledajte *Korisničko sučelje na stranici 339* ako se uključi ili treperi indikator upozorenja (C).
 3. Pritisnite i otpustite kogačić napajanja kako biste provjerili pomiče li se neometano.

Sigurnost baterije



UPOZORENJE: Prije upotrebe proizvoda pročitajte upute upozorenja u nastavku.

- Upotrebljavajte isključivo baterije iz serije 40-B preporučene za vaš proizvod. Pogledajte *Odobrene baterije na stranici 342*. Baterije su softverski kodirane.
- Odgovarajuće proizvode tvrtke Husqvarna napajajte isključivo serijom punjivih baterija 40-B. Bateriju nemojte upotrebljavati za napajanje drugih proizvoda jer postoji opasnost od ozljeda.
- Opasnost od strujnog udara. Polove baterije nemojte spajati s ključevima, vijcima ili drugim metalom. Tako može doći do kratkog spoja baterije.
- Nemojte upotrebljavati baterije koje se ne mogu puniti.
- Nemojte umetati predmete u zračne urete baterije.

- Bateriju zaštitite od sunčeve svjetlosti, vrućine i otvorenog plamena. Baterija može uzrokovati opekline i/ili kemijske opekline.
- Zaštitite bateriju od kiše i mokrih uvjeta.
- Zaštitite bateriju od mikrovalova i visokog tlaka.
- Bateriju nemojte rastavljati ili razbijati.
- Bateriju upotrebljavajte u rasponu temperatura od -10 °C (14 °F) i 40 °C (104 °F).
- Bateriju ili punjač baterije nikada nemojte čistiti vodom. Pogledajte *Čišćenje proizvoda, baterije i punjača baterije na stranici 339*.
- Nemojte upotrebljavati neispravnu ili oštećenu bateriju.
- Baterije skladištite dalje od metalnih predmeta poput čavala, vijaka ili nakita.
- Bateriju držite podalje od djece.

sunčeve svjetlosti. Baterije nemojte puniti na otvorenom. Bateriju nije dopušteno puniti u vlažnim uvjetima.

- Punjač baterije upotrebljavajte isključivo na temperaturama između 5 °C (41 °F) i 40 °C (104 °F). Punjač baterije upotrebljavajte u prozračnom i suhom okruženju bez prašine.
- Nemojte umetati predmete u rashladne uređaje punjača baterije.
- Nikada nemojte priključivati ​​terminale punjača baterije na metalne predmete jer tako možete izazvati kratki spoj na punjaču baterija.
- Upotrebljavajte neoštećene i odobrene mrežne utičnice. Uvjerite se da kabel punjača baterije nije oštećen. Ako upotrebljavate produžni kabel, provjerite da nije oštećen.

Sigurnost punjača baterije



UPOZORENJE: Prije upotrebe proizvoda pročitajte upute upozorenja u nastavku.

- Nepoštivanje sigurnosnih uputa može uzrokovati električni udar ili kratki spoj.
- Nemojte upotrebljavati druge punjače baterija umjesto onoga isporučenog uz proizvod. Za punjenje zamjenskih baterija Husqvarna 40-B140 upotrebljavajte isključivo punjače 40-C80. Pogledajte *Odobrene punjači baterije na stranici 342* i *Odobrene baterije na stranici 342*.
- Nemojte rastavljati punjač baterije.
- Nemojte upotrebljavati neispravnu ili oštećenu bateriju ni punjač baterije.
- Punjač baterije nemojte podizati za električni kabel. Za odspajanje punjača baterije od zidne utičnice izvucite utikač. Nemojte povlačiti kabel za napajanje.
- Sve kabele i produžne kabele držite podalje od vode, ulja i oštih rubova. Kabel nemojte zahvatiti predmetima, npr. vratima, ogradama i sl.
- Punjač baterije nemojte upotrebljavati u blizini zapaljivih materijala ili materijala koji mogu uzrokovati koroziju. Punjač baterije ne smije biti prekriven. Ako dođe do razvoja dima ili požara, odspojite utikač punjača baterije.
- Bateriju puniti isključivo u zatvorenom, dobro prozračenom zatvorenom prostoru bez izravne



UPOZORENJE: Prije održavanja proizvoda pročitajte upozoravajuće upute u nastavku.

- Kada stroj zaustavite radi servisiranja, pregleda ili skladištenja, ili za zamjenu dodatne opreme, prije pregleda i podešavanja pričekajte da se stroj ohladi. Stroj redovito održavajte i čistite.
- Uklonite bateriju prije održavanja, drugih provjera ili sastavljanja proizvoda.
- Rukovatelj smije provoditi samo radove održavanja i servisiranja opisane u ovom korisničkom priručniku. Za opsežnija održavanja i servisiranje obratite se servisnom zastupniku.
- Sve matice i vijke održavajte zategnutima kako biste bili sigurni u sigurno radno stanje proizvoda.
- Zamijenite istrošene ili oštećene dijelove.
- Ako ne provodite održavanje, smanjujete vijek trajanja stroja i povećavate opasnost od nezgoda.
- Sva servisiranja i popravci uvjetuju posebnu obuku, posebice oni na sigurnosnim uređajima na proizvodu. Ako nakon provedbe održavanja nisu odobrene sve provjere iz ovog korisničkog priručnika, obratite se servisnom zastupniku. Jamčimo dostupnost profesionalnih popravaka i servisiranja za vaš proizvod.
- Upotrebljavajte samo originalne rezervne dijelove.

Sastavljanje

Način rada za puhanje



UPOZORENJE:

Pri okretanju lopatica rotora ili nehotičnom pokretanju proizvoda može doći do ozljeda. Prije sastavljanja proizvoda uklonite bateriju i pričekajte da se zaustave lopatice rotora.

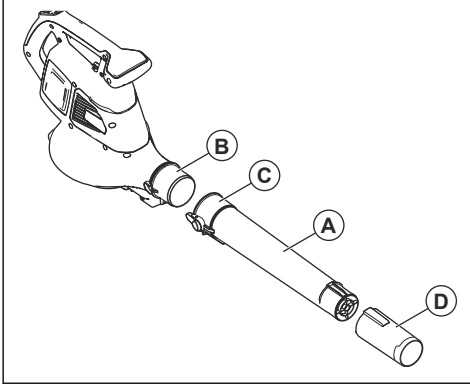


UPOZORENJE: Prije upotrebe proizvoda u načinu rada za puhanje potpuno složite cijev puhača i poklopca usisa.

Sastavljanje cijevi puhača

Napomena: Kada cijev puhača nije pravilno postavljena, sigurnosna sklopka sprječava pokretanje puhača.

1. Pritisnite cijev puhača (A) na izlaz puhača (B).
Blokada (C) zatvara se uz škljocaj.

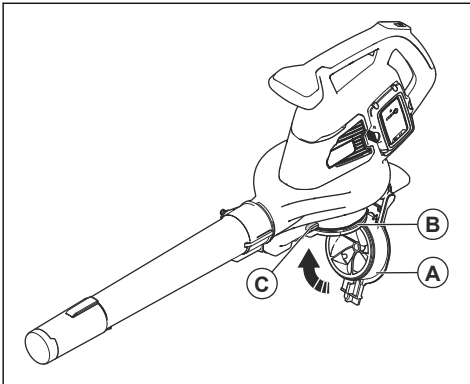


2. Postavite mlaznicu puhača (D) na cijev puhača.
Mlaznica puhača učvršćuje se u položaju uz škljocaj.

Ugradnja poklopca usisa

Napomena: Kada poklopac usisa nije pravilno postavljen, sigurnosna sklopka sprječava pokretanje puhača.

- Zatvorite poklopac usisa (A) na ulazu puhača (B).
Blokada (C) zatvara se uz škljocaj.



Način rada za usisavanje



UPOZORENJE: Prije upotrebe proizvoda u načinu rada za usisavanje

potpuno složite cijev usisivača i vreću za sakupljanje.

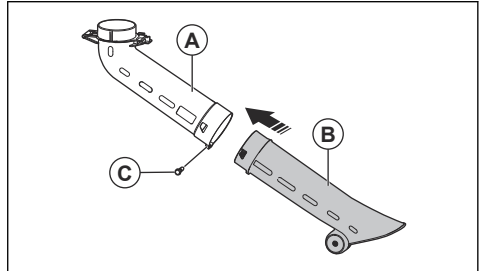
Sastavljanje cijevi usisivača



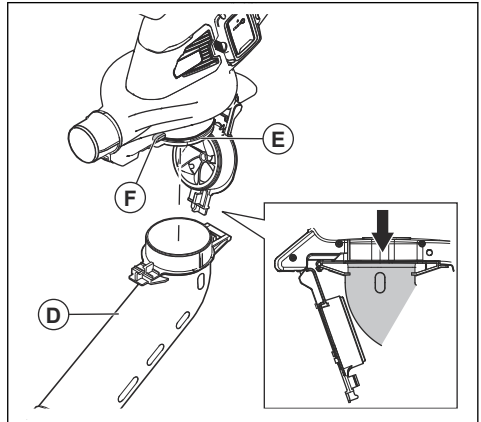
UPOZORENJE: Prije pokretanja proizvoda postavite gornju i donju cijevi usisivača.

Napomena: Kada cijev usisivača nije pravilno postavljena, sigurnosna sklopka sprječava pokretanje usisivača.

1. Utoře na gornjoj cijevi usisivača (A) poravnajte s jezičcima na donjoj cijevi usisivača (B).



2. Donju cijev usisivača pritiščite na gornju cijev usisivača dok ne čujete škljocaj.
3. Zategnite vijak (C).
4. Postavite cijev usisivača (D) na ulaz usisivača (E).
Blokada (F) zatvara se uz škljocaj.



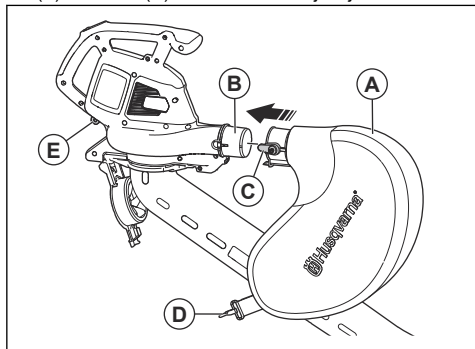
Postavljanje vreće za sakupljanje

Napomena: Ako vreća za sakupljanje nije pravilno postavljena, sigurnosna sklopka sprječava pokretanje proizvoda.

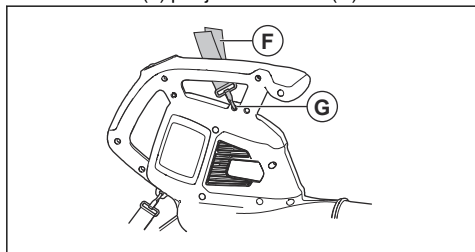


UPOZORENJE: Prije postavljanja ili uklanjanja vreće zaustavite stroj.

1. Ako je na proizvod postavljena cijev puhača, uklonite je.
2. Pritisnite cijev za sakupljanje (A) na izlaz usisivača (B). Blokada (C) zatvara se uz škljocaj.



3. Remen na vreći za sakupljanje (D) pričvrstite na držač (E).
4. Naramenicu (F) priključite na držač (G).



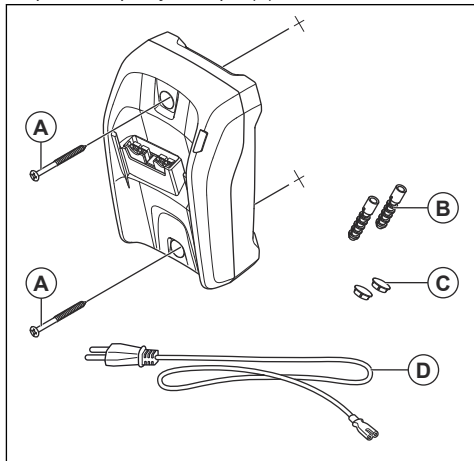
5. Provjerite je li vreća za sakupljanje potpuno zatvorena.

Postavljanje punjača baterije na zid



OPREZ: Punjač baterije na zid nemojte instalirati s pomoću ispitivača napona. Ispitivačem napona možete oštetiti punjač baterije.

1. Punjač baterije na zid postavite s 2 vijka (A). Ako je potrebno, primijenite tiple (B).



2. Postavite čepove provrta za vijke (C).
3. Kabel napajanja (D) priključite u punjač baterije i mrežnu utičnicu.

Rad

Uvod



UPOZORENJE: Prije upotrebe proizvoda pročitajte i usvojite poglavlje o sigurnosti.

Prije upotrebe proizvoda provjerite ispravnost rada

1. Provjerite ima li na usisu traka onečišćenja ili pukotina. Četkom očistite travu i lišće s proizvoda.
2. Provjerite ispravnost rada proizvoda.
3. Pregledajte sve matice i vijke i uvjerite se kako su zategnuti.

Baterija



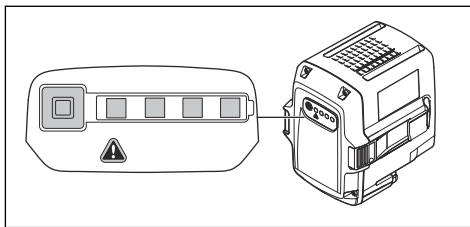
UPOZORENJE: Prije upotrebe baterije pročitajte i usvojite poglavlje o sigurnosti. Pročitajte i usvojite korisnički priručnik za bateriju i punjač baterije.

Bateriju i punjač čuvajte na ispravnoj temperaturi okoline.

	Temperatura okoline
Rad baterije	5 °C – 40 °C / 41 °F – 104 °F
Punjenje baterije	5 °C – 40 °C / 41 °F – 104 °F

Status baterije

Na zaslonu se prikazuje stanje napunjenosti te postoje li problemi s baterijom.



LED indikator	Stanje napunjenosti baterije
Uključena su četiri LED indikatora	Baterija je napunjena 76% – 100%.
Uključena su tri LED indikatora	Baterija je napunjena 51% – 75%.
Uključena su dva LED indikatora	Baterija je napunjena 26% – 50%.
Uključen je jedan LED indikator	Baterija je napunjena 6% – 25%.
Trepće jedna LED žaruljica	Baterija je napunjena 0% – 5%.

Zamjena baterije

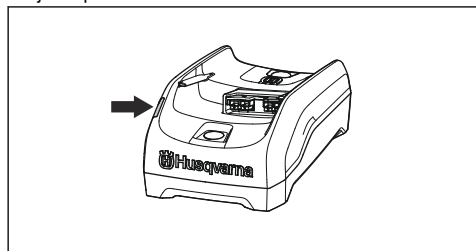
Napunite bateriju pri prvoj upotrebi. Nova je baterija napunjena samo 30%.



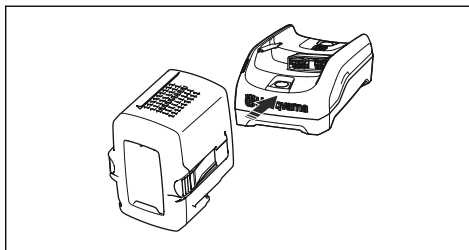
OPREZ: Spojite punjač baterije na strujnu utičnicu s naponom i frekvencijom koji su navedeni na natpisnoj pločici.

Baterija se neće puniti ako je njezina temperatura veća od 50 °C / 122 °F.

1. Priključite punjač baterije na strujnu utičnicu.
2. Punjač baterije priključite na uzemljenu strujnu utičnicu. LED indikator punjenja zatrepat će jedanput.



3. Priključite bateriju na punjač baterije. Uključuje se LED indikator punjenja. Bateriju punite najdulje 24 sata.



4. Pritisnite gumb indikatora baterije kad svijetle svi LED indikatora – baterija je potpuno napunjena.
5. Za odvajanje punjača baterije od strujne utičnice izvucite njegov strujni utikač. Nemojte povlačiti kabel za napajanje.
6. Izvadite bateriju iz punjača baterije.

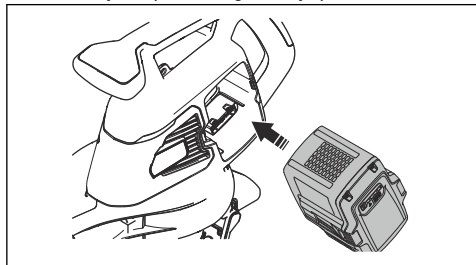
Priključivanje baterije na proizvod



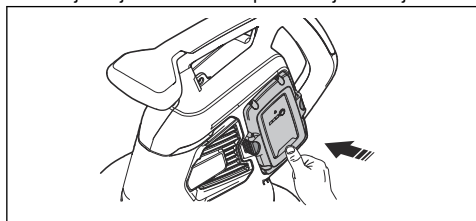
UPOZORENJE: S proizvodom upotrebljavajte samo originalne baterije tvrtke Husqvarna.

1. Provjerite je li baterija potpuno napunjena.

2. Umetnite bateriju u držač baterije na proizvodu. Ako se baterija ne pomiče lagano, nije pravilno umetnuta.

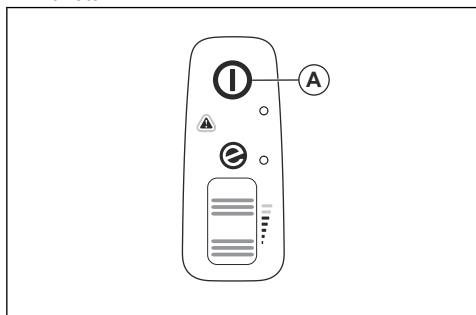


3. Pritisnite donji dio baterije i gurnite ju do kraja hoda u pretinac za bateriju. Baterija se učvršćuje u položaju kad čujete škljocanje.
4. Provjerite jesu li zatvarači pravilno sjeli na mjesto.

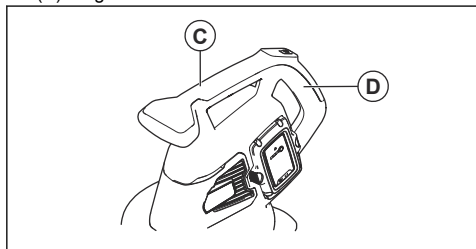


Pokretanje proizvoda

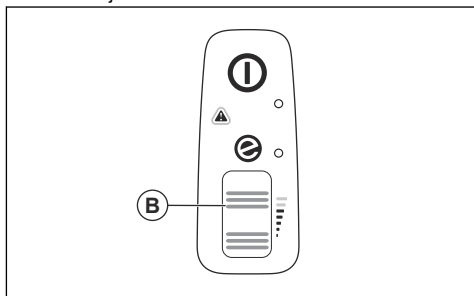
1. Pritisnite i zadržite gumb za pokretanje i zaustavljanje (A) sve dok se ne uključi zeleni LED indikator.



2. Pomoćnu ručku (C) držite jednom, a glavnu ručku (D) drugom rukom.

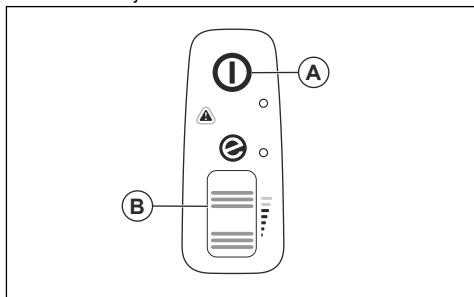


3. Kodačič napajanja (B) okrecite prema gore kako biste pokrenuli način rada za puhanje ili način rada za usisavanje.



Zaustavljanje proizvoda

1. Kodačič napajanja (B) okrecite prema dolje kako biste zaustavili način rada za puhanje ili način rada za usisavanje.

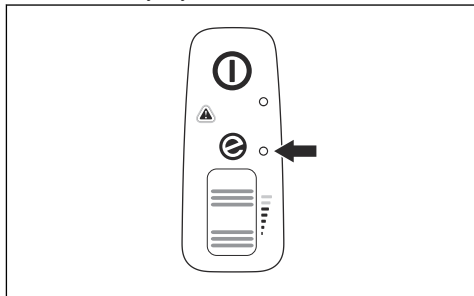


2. Pritisnite i držite gumb za pokretanje/zaustavljanje (A) sve dok se ne isključi zeleni LED indikator.

Način rada ECO

Način rada ECO produljuje vijek trajanja baterije.

- Kodačič napajanja okrecite prema dolje kako biste pokrenuli način rada ECO. Po pokretanju načina rada ECO uključuje se LED indikator.



- Kodačič napajanja okrecite prema gore kako biste pokrenuli uobičajen način rada. Po pokretanju uobičajenog načina rada LED indikator isključuje se.

Pražnjenje vreće za sakupljanje



UPOZORENJE:

Oštri predmeti mogu uzrokovati ozljede. Vreću za sakupljanje nemojte prazniti rukama.

1. Zaustavite proizvod.
2. Uklonite vreću za sakupljanje.
3. Unutarnju stranu vreće za sakupljanje okrenite prema van i uklonite sakupljene predmete.

4. Operite vreću za sakupljanje s crijevom za vodu.
5. Pričekajte da se vreća za sakupljanje osuši.
6. Postavite vreću za sakupljanje.

Funkcija automatskog isključenja

Proizvod ima automatsku funkciju isključenja koja ga isključuje kada se ne upotrebljava. Proizvod se isključuje nakon jedne minute.

Održavanje

Uvod



UPOZORENJE: Prije održavanja morate pročitati i usvojiti poglavlje o sigurnosti.

Raspored održavanja



UPOZORENJE: Prije održavanja izvadite bateriju.

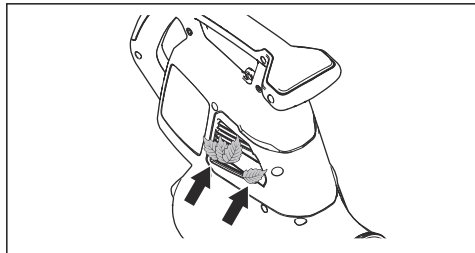
U nastavku je popis koraka održavanja neophodnih za održavanje proizvoda.

Održavanje	Dnevno	Tjedno	Mjesečno
Vanjsku površinu očistite čistom i suhom krpom. Nemojte prati vodom.	X		
Ručke moraju biti suhe, očišćene od ulja i masti.	X		
Provjerite je li gumb za pokretanje/zaustavljanje ispravan i neoštećen.	X		
Provjerite sigurnosnu ispravnost kotačića napajanja.	X		
Provjerite zategnutost matica i vijaka.	X		
Provjerite je li baterija oštećena.	X		
	X		
Provjerite ispravnost gumba za otpuštanje baterije te pričvršćivanje baterije u proizvodu.	X		
Provjerite je li punjač baterije oštećen i uvjerite se u njegovu ispravnost rada.	X		
Provjerite jesu li sve spojnice, priključci i kabeli neoštećeni i čisti.		X	
Provjerite spojeve između baterije i proizvoda te također provjerite spoj između baterije i punjača baterije.			X
Otvore za prolaz zraka čistite mekom četkicom (nemojte se koristiti odvijaćem).	X		
Uklonite i očistite cijev puhača ili cijev usisivača.	X		
Ispraznite i očistite vreću za sakupljanje. Pogledajte <i>Pražnjenje vreće za sakupljanje na stranici 338</i> .	X		
Iz otvora usisa i s poklopca usisa uklonite travu, lišće, prljavštinu ili drugi nepoželjni materijal.	X		
Provjerite je li rotor ventilatora onečišćen i po potrebi ga očistite dugim i tupim predmetom.	X		

Provjera usisa zraka

To može uzrokovati kvar motora uslijed pregrijavanja.

1. Provjerite prohodnost usisa zraka na svim stranama proizvoda.



2. Ako je potrebno, zaustavite proizvod pa uklonite neželjeni materijal ako je to potrebno.



OPREZ: Neprohodan usis zraka smanjuje kapacitet puhanja proizvoda i povećava radnu temperaturu motora.

Pregled baterije i punjača baterije

1. Provjerite ima li na bateriji oštećenja, primjerice pukotina.
2. Provjerite ima li na punjaču baterije oštećenja, primjerice pukotina.
3. Provjerite je li priključni kabel punjača baterije neoštećen te je li ispucao.

Čišćenje proizvoda, baterije i punjača baterije

1. Proizvod nakon upotrebe očistite suhom krpom.
2. Bateriju i punjač baterije čistite suhom krpom. Vodilice za bateriju održavajte čistima.
3. Prije umetanja baterije u punjač baterije ili proizvod provjerite jesu li čisti priključci baterije i punjača baterije.

Rješavanje problema

Korisničko sučelje

Korisničko sučelje	Moguće pogreške	Moguće rješenje
Treperi crveni LED indikator pogreške.	Odstupanje temperature.	Pričekajte na hlađenje proizvoda.
	Uklonjena je cijev ili poklopac ventilatora.	Postavite cijev ili poklopac ventilatora.
	Pogreška baterije.	Zamijenite ili napunite bateriju.
	Potrebno je servisiranje.	Obratite se servisnom zastupniku.
Proizvod se ne pokreće.	Prijavština na priključcima baterije.	Očistite komprimiranim zrakom ili mekanom četkicom.

Baterija

LED zaslon	Moguće pogreške	Moguće rješenje
Zeleni LED indikator treperi.	Nizak napon baterije.	Napunite bateriju.

LED zaslon	Moguće pogreške	Moguće rješenje
Treperenje LED indikatora za pogreške.	Odstupanje temperature.	Bateriju upotrebljavajte u rasponu temperatura od -10 °C (14 °F) i 40 °C (104 °F).
	Prevelik napon.	Provjerite odgovara li napon mreže naponu na proizvodu. Pogledajte napisnu pločicu na proizvodu. Izvadite bateriju iz punjača baterije.
Uključuje se crveni LED indikator pogreške.	Prevelika razlika između ćelija (1 V).	Obratite se servisnom zastupniku.

Punjač baterije

Stanje	Moguće pogreške	Mogući postupak
LED indikator punjenja crvene je boje.	Trajni problem punjača baterije.	Obratite se zastupniku.
LED indikator punjenja trepće zelenom bojom.	Odstupanje od temperature, baterija je ili prehladna ili prevruća za upotrebu ili punjenje.	Pustite da se baterija ohladi ili zagrije. Kada baterija postigne pravu temperaturu, možete je ponovo upotrebljavati ili puniti. Punjač baterije upotrebljavajte u temperaturi okoline između 5 °C (41 °F) i 40 °C (104 °F).
LED indikator punjenja trepće crvenom bojom.	Neispravna baterija	Obratite se zastupniku.

Prijevoz, spremanje i zbrinjavanje

Prijevoz i skladištenje

- Isporučene litij-ionske baterije podliježu zahtjevima propisa o opasnim proizvodima.
- Pridržavajte se posebnih zahtjeva o pakiranju i označavanju u komercijalnom transportu, uključujući treće strane i prijevoznike.
- Prije slanja proizvoda obratite se osobi s posebnom obukom za opasni materijal. Pridržavajte se svih njerodavnih nacionalnih propisa.
- Kada bateriju stavljate u pakiranje, otvorene kontakte prelijepite trakom. Učvrstite bateriju u pakiranju kako biste onemogućili pomicanje.
- Uvijek pričekajte da se stroj ohladi prije nego ga spremite.
- Izvadite bateriju prilikom prijevoza ili skladištenja.
- Bateriju i punjač baterije spremite u suh prostor bez vlage i mraza.
- Bateriju nemojte spremati u prostor u kojem može nastati statički elektricitet. Bateriju nemojte čuvati u metalnoj kutiji.

- Bateriju uskladištite na mjestu s temperaturom između 5 °C/41 °F i 25 °C/77 °F te izvan izravnog sunčeva svjetla.
- Punjač baterije uskladištite na mjestu s temperaturom između 5 °C/41 °F i 45 °C/113 °F te izvan izravnog sunčeva svjetla.
- Punjač baterije upotrebljavajte samo pri temperaturama okoline između 5 °C/41 °F i 40 °C/104 °F.
- Prije dugotrajnog skladištenja bateriju napunite na 30 % do 50 %.
- Punjač baterije uskladištite u zatvorenom i suhom prostoru.
- Tijekom skladištenja bateriju držite podalje od punjača baterije. Djeci i drugim neovlaštenim osobama onemogućite dodirivanje opreme. Opremu spremite u prostor koji možete zaključati.
- Prije dugotrajnog skladištenja proizvoda očistite ga i provedite cjeloviti servis.

- Na proizvod prije transporta i skladištenja postavite prijenosni štitičnik kako biste spriječili ozljede ili oštećenje proizvoda.
- Čvrsto pričvrstite proizvod tijekom transporta.

Više informacija zatražite od lokalnih vlasti, komunalne službe ili distributera.



Zbrinjavanje baterije, punjača baterije i proizvoda

Simbol u nastavku označava proizvod koji se ne ubraja u kućanski otpad. Reciklirajte ga u reciklažnoj stanici za električnu i elektroničku opremu. Tako sprječavate oštećenje okoliša i ozljeđivanje osoba.

Napomena: Simbol se nalazi na proizvodu ili pakovanju proizvoda.

Tehnički podaci

Tehnički podaci

	120iBV
Motor	
Vrsta motora	BLDC (beskontaktni) 36 V
Težina	
Težina bez baterije, kg	4,6
Emisije buke ⁵⁵	
Razina jačine zvuka, mjerena u dB (A)	97
Razina jačine zvuka, zajamčena L_{WA} dB (A)	100
Jačina zvuka ⁵⁶	
Ekvivalentna razina buke pri uhu rukovatelja, mjerena u skladu s EN ISO 11203 i ISO 22868, dB (A):	84
Razine vibracije ⁵⁷	
Razine vibracija na prednjoj/stražnjoj ručki, izmjerene u skladu s normom ISO 22867, m/s^2	1,4/1,7
Rad ventilatora	
Protok zraka u uobičajenom načinu rada sa standardnom mlaznicom, m^3/min	6,7
Maksimalna brzina zraka u uobičajenom načinu rada sa standardnom mlaznicom, $m/s / mi/h$	50/111

Podaci o buci i vibracijama utvrđeni su prema nazivnoj maksimalnoj brzini.

⁵⁵ Emisije buke u okoliš izmjerene kao jačina zvuka (L_{WA}) u skladu s Direktivom EZ 2000/14/EC. Navedena razina jakosti zvuka izmjerena je originalnim reznim priborom koji daje najveću razinu. Razlika između zajamčene i izmjerene razine buke jest da zajamčena razina uključuje i raspršenje rezultata mjerenja i varijacije između različitih uređaja istog modela u skladu s Direktivom 2000/14/EZ.

⁵⁶ Navedeni podaci za ekvivalentnu razinu pritiska zvuka za stroj uključuju tipično statističko raspršenje (standardno odstupanje) od 3 dB (A).

⁵⁷ Podaci o razini vibracije pokazuju tipičnu statističku disperziju (standardnu devijaciju) od 1,5 m/s^2 .

Odobrene baterije

Za ovaj proizvod upotrebljavajte samo izvorne
Husqvarna baterije tvrtke 40-B.

Odobrene baterije

Baterija	40-B140
Vrsta	Litij-ionska
Kapacitet baterije, Ah	4.
Nazivni napon, V	36.
Težina, kg	1,25

Odobreni punjači baterije

Punjač baterije	40-C80
Mrežni napon, V	100 – 240
Frekvencija, Hz	50 – 60
Snaga, W	72
Izlazni napon, V DC / Amperi, A	43/1,6

Izjava o sukladnosti

Izjava o sukladnosti za EU

Mi, **Husqvarna AB**, SE-561 82 Huskvarna, ŠVEDSKA,
tel.: +46-36-146500, pod punom odgovornošću
izjavljujemo da proizvod:

Opis	Ručni vrtni puhač/usisivač
Marka	Husqvarna
Vrsta/model	120iBV
Identifikacija	Serijski brojevi iz 2022. i noviji

u potpunosti su sukladni sljedećim EU direktivama i
propisima:

Propis	Opis
2006/42/EC	„o strojevima“
2014/30/EU	„o elektromagnetskoj kompatibilnosti“
2011/65/EU	„o ograničenoj upotrebi određenih opasnih tvari u električnoj i elektroničkoj opremi“
2000/14/EC	„koja se odnosi na emisije buke u okoliš“

i primjenjuju se sljedeće norme

i/ili tehničke specifikacije: EN

60335-1:2012+A11+A13+A14+A15, EN

50636-2-100:2014, EN IEC 63000:2018, EN ISO

12100:2010, EN IEC 55014-1:2021; EN IEC

55014-2:2021

U skladu s direktivom 2000/14/EC, dodatkom V,
pogledajte *Tehnički podaci na stranici 341* za navedene
vrijednosti zvuka.

Huskvarna, 2023-01-16



Claes Losdal, Menadžer odjela za istraživanje i razvoj,
Husqvarna AB

Osoba odgovorna za tehničku dokumentaciju

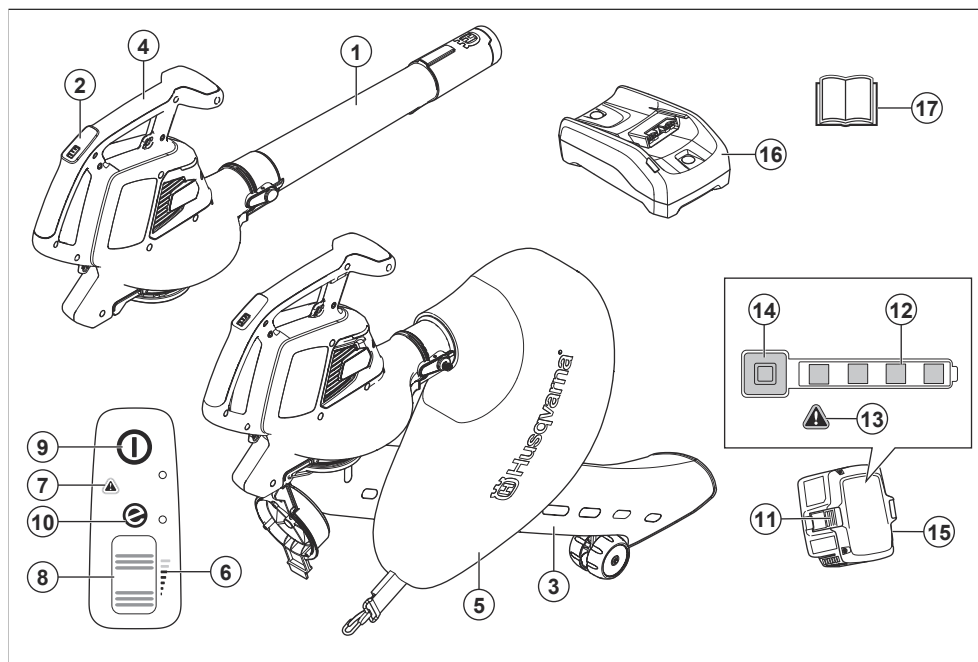


Obsah

Úvod.....	344	Odstraňování problémů.....	357
Bezpečnost.....	346	Přeprava, skladování a likvidace.....	358
Montáž.....	351	Technické údaje.....	358
Provoz.....	353	Prohlášení o shodě.....	361
Údržba.....	355		

Úvod

Popis výrobku



1. Trubka foukače
2. Klávesnice
3. Trubka vysavače
4. Rukojeť
5. Sběrný vak
6. Indikátor průtoku vzduchu
7. Varovná kontrolka (chybová kontrolka LED)
8. Kolečko ovládání výkonu
9. Vypínač
10. Kontrolka funkce SavE
11. Tlačítko pro uvolnění baterie
12. Stav baterie
13. Varovná kontrolka (chybová kontrolka LED)

14. Kontrolka napájení a varovná kontrolka
15. Baterie, je součástí pouze v sadě foukače Husqvarna 120iBV
16. Nabíječka baterie, je součástí pouze v sadě foukače Husqvarna 120iBV
17. Návod k používání

Popis výrobku

Husqvarna 120iBV je model foukače/vysavače s elektrickým motorem.

Řídíme se strategií neustálého vývoje výrobku, a proto si vyhrazujeme právo měnit konstrukci a vzhled výrobků bez předchozího upozornění.

Zamýšlené použití

Režim foukače: Foukač je určen k odfouknutí nečistot nebo posečené trávy z cest, příjezdových cest, dvorů apod. Je také určen k foukání posečené trávy, slámy nebo listí na hromady nebo k odstranění nečistot z rohů, spár nebo mezer mezi dlaždicemi či cihlami.

Režim vysávání: Vysavač je určen k vysávání suchého materiálu. To zahrnuje listí, trávu, malé větvičky a kousky papíru.

Symbole na výrobku



VAROVÁNÍ: Tento výrobek může být nebezpečný a způsobit obsluze či dalším osobám vážné zranění. Buďte opatrní a výrobek používejte správně.



Pečlivě si prostudujte návod k použití a ujistěte se, že pokynům rozumíte, než tento výrobek budete používat.



Vždy používejte schválenou ochranu očí.

V

Jmenovité napětí, V



Stejnoseměrný proud.



Štítek s emisemi hluku do okolí podle směrnic a předpisů Evropské unie a Spojeného království a nařízení o regulaci hluku v australském Novém Jižním Walesu „Protection of the Environment Operations (Noise Control) Regulation 2017“. Garantovaná hladina akustického výkonu tohoto výrobku je uvedena v části *Technické údaje na strani 358* a na štítku.



Před údržbou odpojte baterii.



Výrobek ani obal výrobku nelze zlikvidovat jako domácí odpad. Odevzdejte jej ve stanici pro recyklaci elektrických a elektronických zařízení.



Výrobek odpovídá příslušným směrnicím ES.

UK
CA

Tento výrobek vyhovuje platným předpisům Spojeného království.



Nevystavujte dešti.



Po vypnutí výrobku počkejte, dokud se lopatky rotoru nezastaví.



Výrobek používejte v režimu vysávání, pouze pokud je trubka zcela sestavena.



Obsluha foukače musí zajistit, aby se v okruhu 15 metrů nepohybovali lidé ani zvířata. Pokud pracuje několik pracovníků na stejné ploše, musí být dodržována bezpečná vzdálenost roztupů minimálně 15 metrů. Foukač může velkou silou odmrštit předměty, které se mohou odrazit zpět. Pokud nepoužíváte doporučené ochranné prostředky, může dojít k vážnému poranění očí.



yyyy wwxxxx

Typový štítek s výrobním číslem. **yyyy** znamená rok výroby, **ww** znamená týden výroby.

Povšimněte si: Další symbole/štítky na nástavci se týkají zvláštních certifikačních požadavků pro určité obchodní trhy.

Symbole na baterii nebo na nabíječe baterii



Odevzdejte výrobek ve stanici pro recyklaci elektrických a elektronických zařízení. (Platí pouze pro Evropu)



Transformátor se zabezpečením proti selhání.



Nabíječku baterií používejte a skladujte pouze ve vnitřních prostorech.



Dvojitá izolace.

Výrobce

Husqvarna AB

Drottninggatan 2, SE-561 82 Huskvarna

Poškození výrobku

Neneseme odpovědnost za poškození výrobku, pokud:

- byl výrobek nesprávně opraven.
- byl výrobek opraven pomocí součástí od jiného výrobce nebo součástí, které nejsou výrobcem schváleny.
- má výrobek příslušenství od jiného výrobce nebo příslušenství, které není výrobcem schváleno.
- výrobek nebyl opraven ve schváleném servisním středisku nebo schváleným odborníkem.

Bezpečnost

Definice týkající se bezpečnosti

Varování, upozornění a poznámky slouží jako upozornění na specifické důležité části návodu k používání.



VÝSTRAHA: Používá se v případě nebezpečí úrazu nebo usmrcení obsluhy nebo okolních osob, pokud nejsou dodrženy pokyny uvedené v této příručce.



VAROVÁNÍ: Používá se v případě nebezpečí poškození výrobku nebo nástavce, dalších materiálů či škod na majetku v blízkém okolí, pokud nejsou dodrženy pokyny uvedené v této příručce.

Povšimněte si: Používá se k poskytnutí dalších informací, které jsou nezbytné v dané situaci.

Obecné bezpečnostní pokyny



VÝSTRAHA: Před použitím výrobku si přečtěte následující varování.

- Pečlivě si prostudujte pokyny, abyste znali ovládací prvky a správnou funkci stroje. Nesprávným nebo neopatrným použitím se výrobek může stát nebezpečným nástrojem, který může způsobit vážný nebo dokonce smrtelný úraz obsluhy a dalších osob.
- Konstrukce produktu nesmí být za žádných okolností upravována bez svolení výrobce. Nikdy nepoužívejte výrobek, jehož konstrukce byla jakkoli pozměněna oproti jeho původním specifikacím, a vždy používejte originální příslušenství. Nepovolené úpravy a/ nebo příslušenství může vést k vážnému nebo smrtelnému zranění obsluhy nebo jiných osob. Vaše záruka se nemusí vztahovat na poškození krytu nebo odpovědnost za škody, pokud jsou

způsobeny použitím neoprávněného příslušenství nebo náhradních dílů.

- Tento výrobek vytváří během provozu elektromagnetické pole. Toto pole může za určitých okolností narušovat funkci aktivních či pasivních implantovaných lékařských přístrojů. Za účelem snížení rizika možného zranění nebo smrtelného úrazu doporučujeme osobám s implantovanými lékařskými přístroji poradit se před použitím výrobku s lékařem a s výrobcem implantovaného lékařského přístroje.
- Před nabíjením baterií z produktu vyjměte.

Obecné bezpečnostní výstrahy pro elektrické nářadí

Kontrola před startem

- Zkontrolujte pracovní prostor. Odstraňte veškeré nezajištěné předměty, jako jsou kamínky, střepy, hřebíky, ocelové dráty či řetězy, které by mohly být odmrštěny.
- Aby nemohlo dojít k nechtěnému spuštění stroje, vždy vyjímejte baterii. Před údržbou stroje vždy odpojte baterii.
- Před použitím stroje a po každém nárazu zkontrolujte, zda nevykazuje známky opotřebení a v případě potřeby proveďte nutné opravy.
- Používejte pouze originální náhradní díly.
- Uživatel stroje je povinen dohlédnout na to, aby se během práce nevyskytovala v okruhu 15 m žádná osoba nebo zvíře. Pokud na stejném pracovišti pracuje více uživatelů, musí být udržována bezpečnostní vzdálenost nejméně 15 m.
- Před použitím stroje proveďte celkovou kontrolu (viz plán údržby).
- Použití může být upraveno národními nebo místními předpisy. Dodržujte příslušné předpisy.

Osobní bezpečnost

- **Při práci s elektrickým nástrojem dávejte pozor, sledujte, co děláte a používejte zdravý rozum.**

Nepracujte s elektrickým nástrojem, pokud jste unaveni nebo jste pod vlivem drog, alkoholu či léků. Při práci s elektrickým nástrojem stačí okamžik nepozornosti a následkem může být nedostatečný úraz.

- Udržujte dostatečnou vzdálenost od okolních osob.
- Toto zařízení není určeno k použití osobami (včetně dětí) s omezeními fyzickými, smyslovými nebo duševními schopnostmi nebo s nedostatečnými zkušenostmi či znalostmi, pokud nejsou pod dozorem nebo pokud jim osobou, zodpovídající za jejich bezpečnost, nebyly sděleny pokyny k používání zařízení. Děti musí být pod dozorem, který zajistí, aby si se zařízením nehrály.
- Nikdy nedovolte dětem nebo osobám, které se neseznámily s těmito pokyny, aby výrobek používaly. Věk obsluhy může být omezen místními předpisy.
- Držte nepovolané osoby mimo pracovní plochu. Děti, zvířata, přihlížející a pomáhající osoby musí být mimo 15m bezpečnostní zónu. Jestliže se někdo přiblíží, okamžitě stroj vypněte.
- Skladujte zařízení v uzamykatelném prostoru mimo dosah dětí a nepovolaných osob.
- Nepoužívejte stroj na dlážděném či šetrkovém povrchu, kde může vymrštěný materiál způsobit zranění.
- Při obsluze stroje vždy používejte pevnou obuv a dlouhé kalhoty. Neprovazujte stroj naboso nebo v otevřených sandálech. Nenoste volný oděv s visícími šňůrkami nebo přívěsky.
- Nenoste volné oděvy a šperky, které by mohly být vtaženy do přívodu vzduchu. Dbejte na to, aby se vám dlouhé vlasy nedostaly do přívodů vzduchu.
- Nikdy nepoužívejte stroj, jste-li unaveni, jestliže jste požíli alkohol nebo jestliže užíváte léky, které by mohly ovlivnit váš zrak, úsudek nebo pohybovou koordinaci.
- Používejte osobní ochranné prostředky. Viz pokyny v části „Osobní ochranné prostředky“.
- Při předávání stroje jiné osobě vždy vyjměte baterii.
- Odpovědností obsluhy je, aby lidé nebo jejich majetek byli chráněni před nehodami a dalšími riziky.

Použití elektrických nástrojů a péče o ně

- Nikdy nepoužívejte stroj, jehož konstrukce byla jakkoli pozměněna oproti jeho původním specifikacím. Nikdy stroj nepoužívejte v blízkosti výbušných nebo hořlavých materiálů.
- Nikdy nepoužívejte stroj, který není zcela v pořádku. Dodržujte pokyny pro kontroly, údržbu a servis popsané v této příručce. Některé úkony údržby a opravy mohou provádět pouze vyškolení a kvalifikovaní odborníci. Přečtěte si pokyny v části Údržba.
- Používejte pouze originální náhradní díly.
- Větrací otvory musí být za všech okolností průchozí a bez nečistot.

- Před zahájením práce musí být upevněny všechny ochranné kryty a rukojeti.
- Stroj používejte pouze za denního světla nebo za jiných dobrých světelných podmínek.
- Stroj nikdy nepoužívejte za špatného počasí, např. v mlze, v dešti, na vlhkých místech, za silného větru či mrazu, při riziku výskytu blesků atd. Při práci ve velmi teplém počasí může dojít k přehřátí stroje. Použití za špatného počasí je namáhavé a může vést k nebezpečným situacím (např. kluzký povrch).
- Pokud stroj začne nezvykle vibrovat, zastavte ho a vyjměte baterii.
- Stroj používejte za chůze, nikdy za běhu.

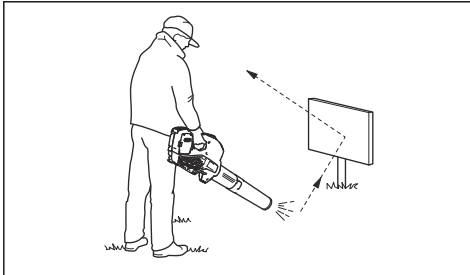
Bezpečnostní pokyny pro provoz



VÝSTRAHA: Před použitím výrobku si přečtěte následující varování.

- Dostanete-li se do situace, kdy pocítíte jakoukoliv pochybnost co do práce s vybavením, požádejte o radu odborníka. Spojte se s vaším prodejcem nebo servisem. Nepoužívejte vybavení, necítíte-li se dostatečně kvalifikováni.
- Ujistěte se, že se můžete volně pohybovat a bezpečně stát. Zkontrolujte, zda ve vašem bezprostředním okolí nejsou nějaké překážky (kořeny, kameny, větve, jámy, příkopy apod.), pro případ, že by bylo nutné se rychle přesunout. Zvláštní pozornost věnujte práci ve svažitém terénu.
- Neustále udržujte dobrou rovnováhu a pevný postoj. Nenatahujte se příliš daleko.
- Používejte-li ochranu sluchu, vždy je nutné dávat pozor na výstražné signály nebo volání. Sejměte vždy ochranu sluchu ihned po zastavení výrobku.
- Nepoužívejte výrobek v blízkosti otevřených oken.
- Buďte ohleduplní ke svému okolí a nepoužívejte výrobek v nevhodném čase jako je pozdě večer nebo velmi brzo ráno. Dodržujte místní předpisy a nařízení.
- Používejte výrobek s co nejmenším proudem vzduchu. Plný proud vzduchu se používá málokdy a většinu práce lze provádět s polovičním proudem vzduchu. Menší proud vzduchu znamená méně hluku a prachu. Foukané a přesouvané smetí také budete mít snáz pod kontrolou.
- Při použití výrobku v prašných podmínkách mírně zvlhčete povrch.
- Nečistoty zašlapané do země nejdříve uvolněte hráběmi nebo koštětem.
- Ústí trubice foukače držte co možná nejbliže nad zemí.
- Pozorujte své okolí. Výrobek vždy směřujte od lidí, zvířat, dětských hřišť, automobilů atp.
- Zkraťte dobu foukání na minimum tím, že mírně navlhčíte prašné oblasti nebo použijete postřikovací zařízení.

- Při práci dbejte na směr větru. Vždy pracuje po směru větru, usnadní vám to práci.
- Pokud výrobek začne neobvykle vibrovat, vypněte jej a vyjměte baterii.
- Používání foukače pro přemísťování velké hromady např. listí vám zabere mnoho času a foukač bude zbytečně hlučný.
- Po skončení práce po sobě uklíďte. Nefoukejte nečistoty na cizí pozemek nebo zahradu.
- Neběhejte s výrobkem.
- Velmi silný proud vzduchu může dát do pohybu odklizené předměty takovou rychlostí, že se mohou odrazit zpět a vážně poškodit oči.



- Nikdy nesměřujte proud vzduchu na lidi ani zvířata.
- Před prováděním montáže nebo demontáže příslušenství nebo jiných součástí vypněte motor.
- Všechny části těla udržujte mimo dosah horkých povrchů.
- Nikdy neodkládejte výrobek, který je v chodu, aniž byste jej měli pod plnou kontrolou.
- Zastavte stroj a vyjměte baterii. Zkontrolujte, zda se všechny pohyblivé části zcela zastavily:
 - kdykoli opouštíte stroj,
 - před odstraněním překážek nebo čištěním vyhazovacího kanálu,
 - před kontrolou, čištěním nebo prací na stroji.
- Okamžitě vypněte zdroj napájení a nechte stroj zastavit, pokud se řezací mechanismus dostane do kontaktu s cizími předměty nebo pokud stroj začne vydávat neobvyklý hluk či vibrace. Odpojte baterii od stroje a před opětovným spuštěním a provozem stroje proveďte následující kroky:
 - zkontrolujte, zda nedošlo k poškození,
 - vyměňte nebo opravte poškozené díly,
 - zkontrolujte a utáhněte povolené díly.
- Před odstraněním nežádoucího materiálu v případě ucpání stroje vypněte zdroj napájení a odpojte baterii od stroje.
- Nepřepravujte tento stroj s běžícím motorem.
- Nenakláňejte stroj s běžícím motorem.
- Foukač nesmí být používán pokud stojíte na žebříku nebo skládacím lešení.

- Nikdy nepracujte s výrobkem, nemáte-li možnost přivolat pomoc v případě nehody.
- Dejte pozor na odmrštěné předměty. Odlétávající kamení, smetí apod. může zasáhnout zrak a způsobit slepotu nebo jiná vážná zranění.
- Pro zvýšení bezpečnosti při nabíjení výrobku používejte proudový chránič. Proudový chránič chrání obsluhu v případě elektrické závady.
- Tento výrobek se vyznačuje nízkými vibracemi. Nadměrné vystavení vibracím může u osob se zhoršenou funkcí krevního oběhu vést k poruchám oběhového nebo nervového systému. V případě, že byste pocítili příznaky obtíží způsobených nadměrným vystavením vibracím, obraťte se na svého lékaře. Mezi tyto příznaky patří strnulost končetin, ztráta citu, mravenčení, píchání, bolest, zeslábnutí, změna barvy nebo vzhledu pokožky. Tyto příznaky se obvykle objevují v prstech, na ruce nebo v zápěstí.
- Výrobek používejte pouze k účelu, ke kterému je určen.
- Není možné zmínit všechny představitelné situace, se kterými se můžete setkat. Buďte stále opatrní a používejte zdravý rozum. Vyhněte se všem situacím, o kterých se domníváte, že jsou nad vaše možnosti. Pokud si ani po přečtení tohoto návodu nebudete jisti, jak stroj správně používat, než budete pokračovat v práci, obraťte se na odborníka.

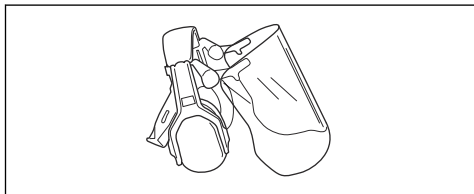
Osobní ochranné prostředky



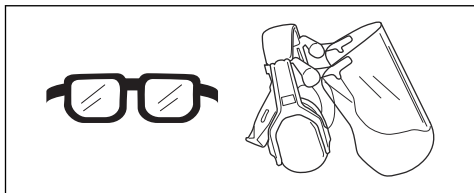
VÝSTRAHA: Před použitím výrobku si přečtěte následující varování.

- Při použití výrobku je nutné vždy používat schválené osobní ochranné prostředky. Osobní ochranné prostředky nemohou zcela eliminovat nebezpečí úrazu, ale v případě nehody pomáhají snížit míru poranění. Požádejte prodejce, aby vám pomohl vybrat správné vybavení.
- Dlouhodobé vystavování působení hluku může vést k poškození sluchu. V obecné rovině jsou výrobky napájené baterií relativně tiché, ale k nepříznivým účinkům může dojít v kombinaci hladiny hluku a dlouhého používání. Společnost doporučuje, aby obsluha používala ochranu sluchu při dlouhodobém používání. Pravidelní uživatelé, kteří používají

výrobek po delší nepřerušované době, by si měli nechat pravidelně kontrolovat sluch. Pozor – ochrana sluchu neomezuje pouze možnost slyšet zvuky, ale rovněž varovné signály.



- Vždy používejte schválenou ochranu očí. Použijete-li štít, je nutno použít i schválené ochranné brýle. Schválené ochranné brýle musí být v souladu s normou ANSI Z87.1 v USA nebo EN 166 v zemích EU.



- Noste oblečení vyrobené z pevné tkaniny. Vždy používejte silné, dlouhé kalhoty a dlouhé rukávy. Nepoužívejte volné oblečení, které se může zachytit o keře nebo větve. Nepoužívejte šperky, krátké kalhoty nebo sandály a nepracujte bosí. Stáhněte si vlasy bezpečně nahoru nad úroveň ramen.
- Mějte při ruce lékárníčku.



- V prašném prostředí musí být používána obličejová maska (respirátor).

Bezpečnostní zařízení na produktu



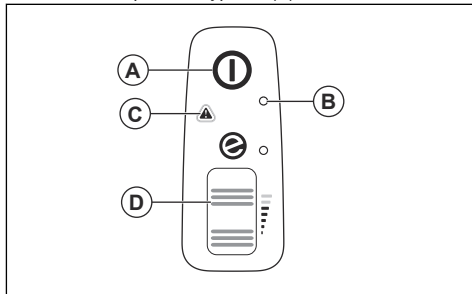
VÝSTRAHA: Před použitím výrobku si přečtěte následující varování.

- V této části je popsáno bezpečnostní vybavení výrobku, jeho účel a způsob provádění kontroly a údržby k zajištění správného provozu. Viz pokyny v části *Popis výrobku na strani 344* pro informace o umístění těchto dílů na výrobku.
- Životnost výrobku se může zkracovat a riziko úrazů zvyšovat, jestliže se údržba neprovádí správně anebo se opravy neprovádějí odborně. Pokud potřebujete další informace, obraťte se na nejbližšího servisního prodejce.

- Nikdy výrobek nepoužívejte s vadnými bezpečnostními součástmi. Kontrolu a údržbu bezpečnostního vybavení výrobku je nutno provádět podle postupů uvedených v této části. V případě, že by výrobek nevyhověl při jakékoli z těchto kontrol, je nutno vyhledat autorizované servisní středisko a nechat závalu odstranit.
- Veškerý servis a opravy produktu vyžadují speciální odborné školení. To se týká především servisu a oprav bezpečnostního vybavení produktu. V případě, že by výrobek nevyhověl při některé z níže popsaných kontrol, je nutno vyhledat servisní opravnu. Každému zákazníkovi, který zakoupí kterýkoli z našich výrobků, zaručujeme dostupnost profesionálních oprav a servisních prací. Pokud prodejce, který vám produkt prodal, neposkytuje servis, požádejte jej o adresu naší nejbližší servisní opravny.

Kontrola klávesnice

1. Stiskněte a podržte vypínač (A).



- a) Výrobek je zapnutý, když svítí kontrolka LED (B).
 - b) Výrobek je vypnutý, když kontrolka LED (B) nesvítí.
2. Viz část *Uživatelské rozhraní na strani 357* pokud se rozsvítí nebo bliká varovná kontrolka (C).
 3. Stiskněte a uvolněte kolečko ovládání výkonu (D) a zkontrolujte, zda se volně pohybuje.

Bezpečnostní pokyny týkající se baterií



VÝSTRAHA: Před použitím výrobku si přečtěte následující varování.

- Používejte výhradně baterie řady 40-B, které doporučujeme pro váš výrobek. Viz část *Schválené baterie na strani 359*. Baterie jsou softwarově zašifrovány.
- Používejte pouze dobíjecí baterie řady 40-B vhodné jako zdroj napájení pro související výrobky Husqvarna. Abyste zabránili zranění, nepoužívejte baterii jako zdroj napájení pro jiná zařízení.
- Nebezpečí úrazu elektrickým proudem. Svolky baterie nepřipojujte ke klíčům, šroubkům nebo jiným kovovým předmětům. Může to způsobit zkrat baterie.

- Nepoužívejte baterie, které nejsou dobíjecí.
- Nevkládejte do větracích otvorů baterie žádné předměty.
- Chraňte baterii před sluncem, teplem nebo otevřeným ohněm. Baterie může způsobit popáleniny nebo chemické popáleniny.
- Chraňte baterii před deštěm a vlhkým prostředím.
- Chraňte baterii před mikrovláknami a vysokým tlakem.
- Baterii nikdy nerozebírejte nebo nerozbíjejte.
- Baterii použijte při teplotě -10 až 40 °C.
- Baterii ani nabíječku baterií nečistěte vodou. Viz část *Čištění výrobku, baterie a nabíječky baterií na strani 356*.
- Nepoužívejte vadnou nebo poškozenou baterii.
- Baterie uchovávejte mimo dosah kovových předmětů, jako jsou např. hřebíky, šrouby nebo šperky.
- Uchovávejte baterie mimo dosah dětí.

Bezpečnostní pokyny pro nabíječku baterií



VÝSTRAHA: Před použitím výrobku si přečtěte následující varování.

- Pokud nejsou bezpečnostní pokyny dodržovány, hrozí nebezpečí úrazu elektrickým proudem nebo zkrat.
- Nepoužívejte nabíječky, které nebyly dodány s výrobkem. Při nabíjení náhradních baterií Husqvarna 40-B140 používejte výhradně nabíječky 40-C80. Viz část *Schválené nabíječky baterií na strani 359 a Schválené baterie na strani 359*.
- Nabíječku baterií nerozebírejte.
- Nepoužívejte vadnou nebo poškozenou nabíječku baterií.
- Nabíječku nezvedejte pomocí napájecího kabelu. Když nabíječku baterií odpojujete z elektrické zásuvky, tahejte za zástrčku. Netahejte za napájecí kabel.
- Všechny kabely včetně prodlužovací udržujte mimo dosah vody, oleje a ostrých hran. Dejte pozor, aby se kabel nezachytil mezi předměty, například do dveří, za plot a podobně.
- Nabíječku nepoužívejte v blízkosti hořlavých nebo korozivních materiálů. Zkontrolujte, zda není nabíječka baterií poškozená. V případě, že zaznamenáte kouř nebo požár, vytáhněte zástrčku kabelu nabíječky baterií ze zásuvky.

- Baterii nabíjejte pouze uvnitř, a to v místech s dobrým prouděním vzduchu a mimo dosah slunečního světla. Nenabíjejte baterii venku. Nenabíjejte baterii ve vlhkém prostředí.
- Používejte nabíječku baterií pouze v místech, kde je teplota v rozsahu 5 až 40 °C. Nabíječku používejte v dobře větraném, suchém a bezprašném prostředí.
- Nevkládejte do chladicích otvorů nabíječky baterií žádné předměty.
- Nepřipojujte svorky nabíječky baterií ke kovovým předmětům, protože by mohlo dojít ke zkratování nabíječky.
- Používejte schválené a nepoškozené síťové zásuvky. Zkontrolujte, zda není šňůra nabíječky baterií poškozena. Pokud používáte prodlužovací kabely, zkontrolujte, zda nejsou poškozeny.

Bezpečnostní pokyny pro údržbu



VÝSTRAHA: Před prováděním údržby výrobku si přečtěte následující varování.

- Když je stroj zastaven kvůli údržbě, kontrole, skladování nebo výměně příslušenství, nechte ho před provedením kontrol, seřízení atd. vychladnout. Zacházejte se strojem opatrně a udržujte jej v čistotě.
- Před prováděním údržby, kontroly nebo montáže výrobku vyjměte baterii.
- Obsluha smí provádět pouze takové údržbářské a servisní úkony, které jsou popsány v tomto návodu k používání. Před provedením údržby a servisu většího rozsahu se obraťte na servisního prodejce.
- Utáhněte všechny matice, šrouby a svorníky, aby byl přístroj v bezpečném provozním stavu.
- Vyměňte opotřebené nebo poškozené součásti.
- Pokud byste neprováděli údržbu, podstatně by se zkrátil životní cyklus výrobku a zvýšilo se nebezpečí nehod.
- K provádění servisu a oprav je nutné speciální školení, zejména co se týče bezpečnostních zařízení. Pokud není možné po provedení údržby schválit všechny kontroly uvedené v tomto návodu k používání, obraťte se na servisního prodejce. Garantujeme, že jsou pro váš výrobek k dispozici profesionální opravy a servis.
- Používejte pouze originální náhradní díly.

Montáž

Režim foukače



VÝSTRAHA:

Když se lopatky rotoru otáčejí nebo se výrobek nahodile nastartuje, může dojít k řeznému poranění. Před montáží výrobku vyjměte baterii a počkejte, dokud se lopatky rotoru nezastaví.

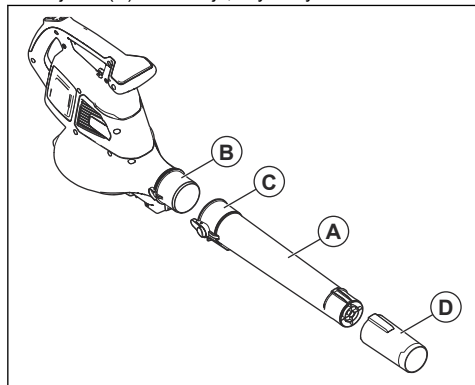


VÝSTRAHA: Před použitím výrobku v režimu foukače zcela namontujte trubku foukače a kryt sání.

Montáž trubky foukače

Povšimněte si: Pokud není trubka foukače správně namontována, bezpečnostní spínač zabrání spuštění foukače.

1. Nasuňte trubku foukače (A) na vývod foukače (B). Pojistka (C) se aktivuje, když uslyšíte cvaknutí.

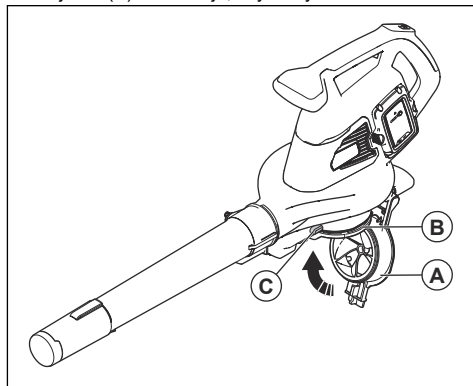


2. Namontujte trysku foukače (D) na trubku foukače. Tryska foukače je zajištěna na místě, když uslyšíte cvaknutí.

Montáž krytu sání

Povšimněte si: Pokud není kryt sání správně namontován, bezpečnostní spínač zabrání spuštění foukače.

- Zavřete kryt sání (A) na vstupu foukače (B). Pojistka (C) se aktivuje, když uslyšíte cvaknutí.



Režim vysávání



VÝSTRAHA: Před použitím výrobku v režimu vysávání zcela sestavte trubku vysavače a sběrný vak.

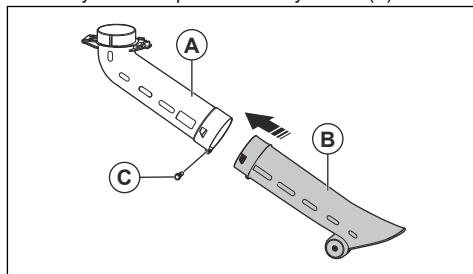
Montáž trubky vysavače



VÝSTRAHA: Než začnete výrobek používat, sestavte horní a spodní trubku vysavače.

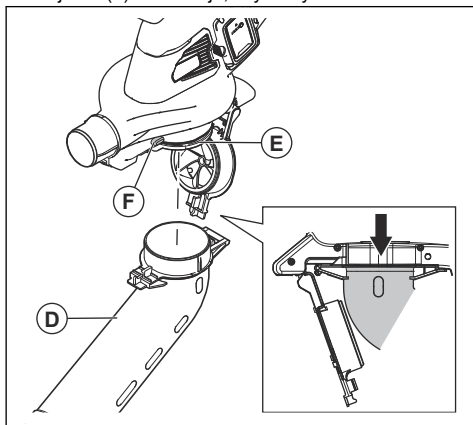
Povšimněte si: Pokud trubka vysavače není správně namontována, bezpečnostní spínač zabrání spuštění vysavače.

1. Zarovnejte drážky na horní trubce vysavače (A) s úchytkami na spodní trubce vysavače (B).



2. Nasuňte spodní trubku vysavače na horní trubku vysavače, dokud neuslyšíte cvaknutí.
3. Utáhněte šroub (C).

4. Připojte trubku vysavače (D) k sacímu otvoru (E). Pojistka (F) se aktivuje, když uslyšíte cvaknutí.



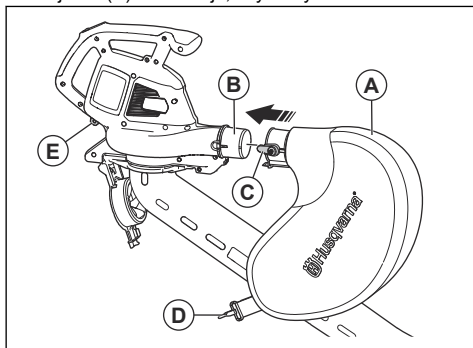
Montáž sběrného vaku

Povšimněte si: Pokud není sběrný vak správně namontován, bezpečnostní spínač zabrání spuštění výrobku.

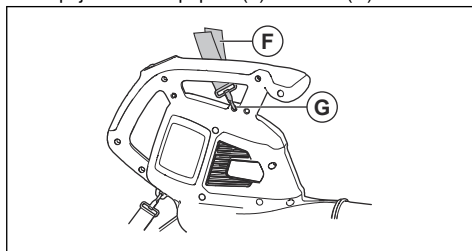


VÝSTRAHA: Před montáží a demontáží vaku vypněte motor.

1. Odmontujte trubku foukače, pokud je připevněna k výrobku.
2. Zatlačte sběrný vak (A) na vývod vysavače (B). Pojistka (C) se aktivuje, když uslyšíte cvaknutí.



3. Připojte popruh sběrného vaku (D) k držáku (E).
4. Připojte ramenní popruh (F) k držáku (G).



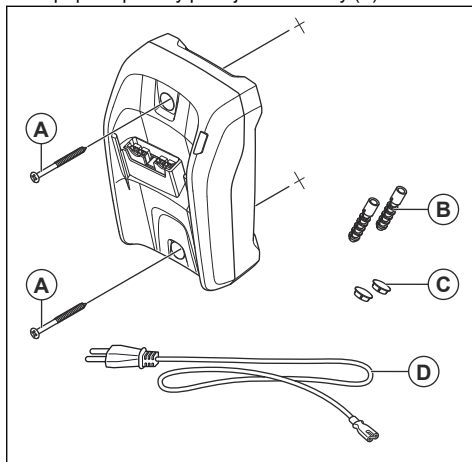
5. Ujistěte se, že je sběrný vak zcela zavřený.

Instalace nabíječky baterií na stěnu



VAROVÁNÍ: K instalaci nabíječky baterií na stěnu nepoužívejte elektrický šroubovák. Elektrický šroubovák může nabíječku poškodit.

1. Upevněte nabíječku na stěnu pomocí 2 šroubů (A). V případě potřeby použijte hmoždinky (B).



2. Namontujte krytky na 2 šrouby (C).
3. Připojte napájecí kabel (D) k nabíječce a elektrické zásuvce.

Provoz

Úvod



VÝSTRAHA: Než začnete s výrobkem pracovat, přečtěte si důkladně kapitolu o bezpečnosti.

Kontrola funkcí před použitím výrobku

1. Zkontrolujte přívod vzduchu ohledně znečištění a prasklin. Pomocí kartáče odstraňte z výrobku trávu a listí.
2. Zkontrolujte, zda výrobek funguje správně.
3. Zkontrolujte a dotáhněte všechny matice a šrouby.

Baterie



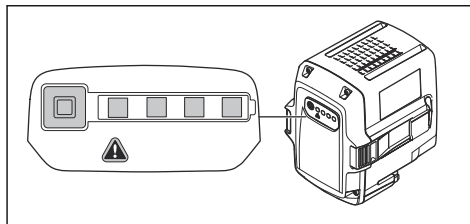
VÝSTRAHA: Než začnete s baterií pracovat, přečtěte si důkladně kapitolu o bezpečnosti. Přečtěte si důkladně návod k používání baterie a nabíječky baterií.

Baterii i nabíječku skladujte za správné okolní teploty.

	Okolní teplota
Provoz baterie	5–40 °C
Nabíjení baterie	5–40 °C

Stav baterie

Displej ukazuje stav nabití a zda došlo k problémům s baterií.



Kontrolka LED	Stav nabití baterie
Svítil 4 kontrolky LED	Baterie je nabitá na 76–100 %.
Svítil 3 kontrolky LED	Baterie je nabitá na 51–75 %.
Svítil 2 kontrolky LED	Baterie je nabitá na 26–50 %.
Svítil 1 kontrolka LED	Baterie je nabitá na 6–25 %.
Bliká 1 kontrolka LED	Baterie je nabitá na 0–5 %.

Nabití baterie

Před prvním použitím baterii nabijte. Nová baterie je nabitá pouze na 30 %.

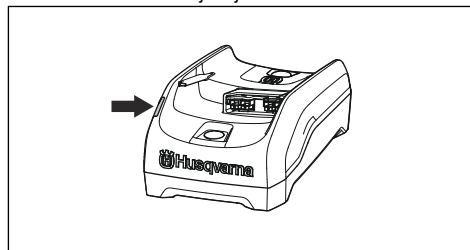


VAROVÁNÍ: Nabíječku baterií zapojte do zásuvky s hodnotami napětí a frekvence, které jsou uvedené na typovém štítku.

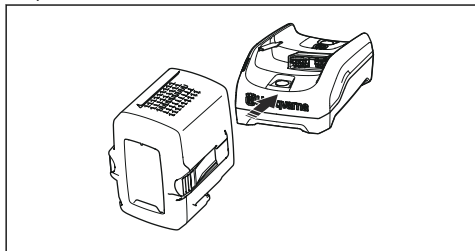
Baterie se nenabíjí, pokud je teplota baterie vyšší než 50 °C.

1. Připojte k nabíječce baterií napájecí kabel.

2. Zapojte nabíječku baterií do uzemněné zásuvky. Kontrolka LED nabíjení jednou blikne.



3. Připojte baterii k nabíječce baterií. Rozsvítí se kontrolka LED dobíjení. Baterii nabíjejte maximálně po dobu 24 hodin.



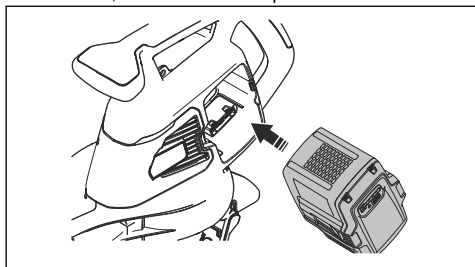
4. Stiskněte tlačítko ukazatele stavu baterie. Pokud se rozsvítí všechny kontrolky LED, baterie je plně nabitá.
5. Vytažením napájecí zástrčky odpojte nabíječku baterií z elektrické zásuvky. Netahejte za napájecí kabel.
6. Vyměňte baterii z nabíječky.

Instalace baterie do výrobku

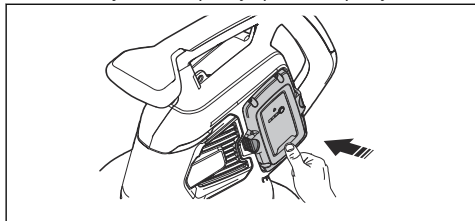


VÝSTRAHA: Ve výrobku používejte výhradně originální baterie Husqvarna.

1. Zkontrolujte, zda je baterie plně nabitá.
2. Zasuňte baterii do držáku baterie výrobku. Baterie musí jít snadno zasunout. Pokud ji nelze snadno zasunout, není instalována správně.

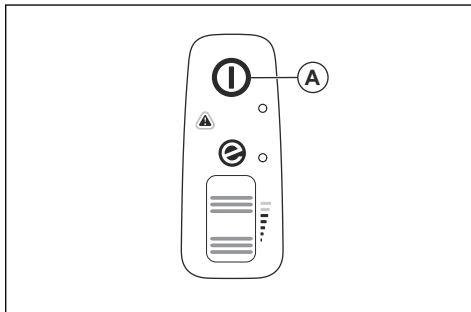


3. Zatlačte na spodní část baterie a zasuňte ji co nejdál do přihrádky na baterii. Baterie je zajištěná na místě, jakmile uslyšíte cvaknutí.
4. Zkontrolujte, zda západky správně zapadly.

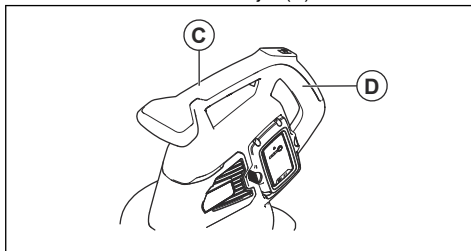


Spuštění výrobku

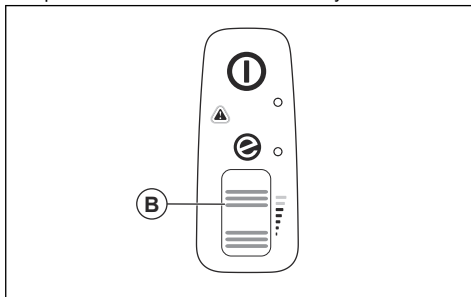
1. Stiskněte a podržte vypínač (A), dokud se nerozsvítí zelená kontrolka LED.



2. Jednou rukou uchopte pomocnou rukojeť (C) a druhou rukou hlavní rukojeť (D).

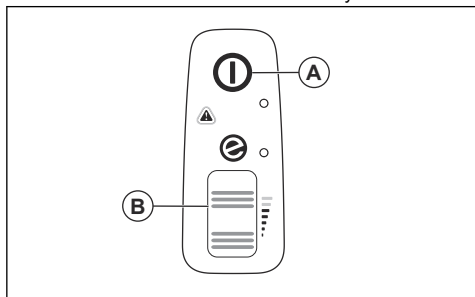


3. Posunutím kolečka ovládání výkonu (B) nahoru spustíte režim foukače nebo režim vysávání.



Zastavení výrobku

1. Posunutím kolečka ovládání výkonu (B) dolů nastavíte režim foukače nebo režim vysávání.

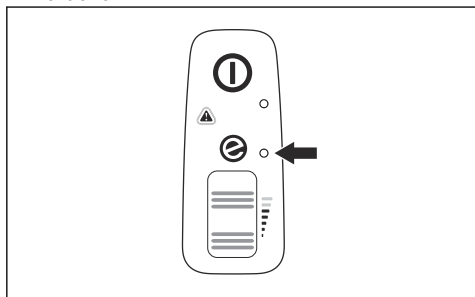


2. Stiskněte a podržte vypínač (A), dokud zelená kontrolka LED nezasvítí.

ECO mód

ECO mód prodlužuje životnost baterie.

- Posunutím kolečka ovládání výkonu dolů spustíte ECO mód. Po spuštění ECO módu se rozsvítí kontrolka LED.



- Posunutím kolečka ovládání výkonu nahoru spustíte normální režim. Po spuštění normálního režimu kontrolka LED zhasne.

Vyprázdnění sběrného vaku



VÝSTRAHA:

Ostré předměty mohou způsobit zranění. Při vyprázdnění sběrného vaku do něj nevkládejte ruce.

1. Zastavte výrobek.
2. Odmontujte sběrný vak.
3. Otočte vnitřní stranu sběrného vaku ven a odstraňte shromážděné předměty.
4. Vyčistěte sběrný vak pomocí vodní hadice.
5. Nechte sběrný vak uschnout.
6. Namontujte sběrný vak.

Funkce automatického vypnutí

Výrobek je vybaven funkcí automatického vypnutí, která jej zastaví, pokud není používán. Výrobek se vypne po 1 minutě.

Údržba

Úvod



VÝSTRAHA: Před prováděním jakékoli údržby je třeba, abyste si přečetli a porozuměli kapitole bezpečnosti.



VÝSTRAHA: Před prováděním údržby vyjměte baterii.

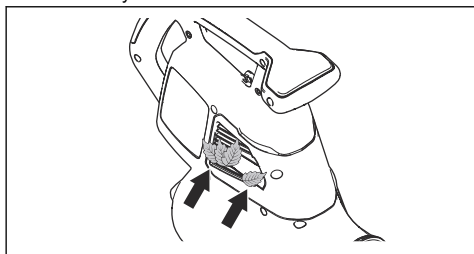
Níže je uveden seznam kroků údržby, které musíte provést na výrobku.

Údržba	Denně	Týdně	Měsíčně
Očistěte vnější povrch čistou a suchou utěrkou. Nepoužívejte vodu.	X		
Udržujte rukojeti suché, čisté a bez zbytků oleje a maziva.	X		
Přesvědčte se, že vypínač funguje a není poškozený.	X		
Ujistěte se, že kolečko ovládání výkonu funguje správně z hlediska bezpečnosti.	X		
Zkontrolujte utažení matic a šroubů.	X		

Údržba	Denně	Týdně	Měsíčně
Zkontrolujte, zda není baterie poškozena.	X		
	X		
Zkontrolujte, zda na baterii fungují tlačítka pro uvolnění baterie a zda baterie drží ve výrobku.	X		
Zkontrolujte, zda není nabíječka baterií poškozena a ujistěte se, že funguje správně.	X		
Zkontrolujte všechny spojky, spoje a kabely, zda nejsou poškozené, a ujistěte se, že nejsou znečištěné.		X	
Zkontrolujte spojení mezi baterií a výrobkem a rovněž spojení mezi baterií a nabíječkou.			X
Vyčistěte vzduchové otvory pomocí měkkého kartáče (nepoužívejte šroubovák).	X		
Odmontujte a vyčistěte trubku foukače nebo trubku vysavače.	X		
Vyprázdněte a vyčistěte sběrný vak. Viz část <i>Vyprázdnění sběrného vaku na straně 355</i> .	X		
Odstraňte trávu, listí, nečistoty nebo nežádoucí materiál z otvoru sání a krytu sání.	X		
Zkontrolujte oběžné kolo ventilátoru, zda není znečištěné, a v případě potřeby ho vyčistěte tupým, dlouhým předmětem.	X		

Kontrola přívodu vzduchu

1. Zkontrolujte, zda není přívod vzduchu ucpaný na stranách výrobku.



2. Zastavte výrobek a pokud je to nezbytné, odstraňte listy nebo nežádoucí materiál.



VAROVÁNÍ: Ucpaný přívod vzduchu snižuje foukací kapacitu výrobku a zvyšuje provozní teplotu

motoru. To může vést k poruše motoru, protože se motor příliš zahřívá.

Kontrola baterie a nabíječky baterií

1. Zkontrolujte, zda baterie nevykazuje příznaky poškození, např. praskliny.
2. Zkontrolujte, zda nabíječka baterií nevykazuje příznaky poškození, např. praskliny.
3. Zkontrolujte, zda není propojovací kabel nabíječky baterií poškozený a zda na něm nejsou praskliny.

Čištění výrobku, baterie a nabíječky baterií

1. Po použití vyčistěte výrobek suchou utěrkou.
2. Vyčistěte baterii a nabíječku baterií suchou utěrkou. Udržujte v čistotě vodící kolejničky baterie.
3. Před vložením baterie do nabíječky baterií nebo výrobku zkontrolujte, zda jsou svorky na baterii a nabíječce baterií čisté.

Odstraňování problémů

Uživatelské rozhraní

Uživatelské rozhraní	Možné závady	Možné řešení
Bliká červená chybová kontrolka LED.	Odchylka teploty.	Nechte výrobek vychladnout.
	Je odmontována trubka nebo kryt ventilátoru.	Namontujte trubku nebo kryt ventilátoru.
	Chyba baterie.	Vyměňte nebo nabijte baterii.
	Je nutný servis.	Obratě se na servisního prodejce.
Výrobek ne-startuje.	Nečistota na konektorech baterie.	Očistěte vzduchovým kompresorem nebo měkkým kartáčem.

Baterie

LED displej	Možné závady	Možné řešení
Bliká zelená kontrolka LED.	Nízké napětí baterie.	Nabijte baterii.
Bliká chybová kontrolka LED.	Odchylka teploty.	Baterii použijte při teplotě -10 až 40 °C.
	Příliš vysoké napětí.	Zkontrolujte, zda napětí elektrické sítě odpovídá napětí výrobku. Viz typový štítek na výrobku. Vyjměte baterii z nabíječky.
Svítil chybová kontrolka LED.	Příliš velký rozdíl napětí článků (1 V).	Obratě se na servisního prodejce.

Nabíječka baterií

Stav	Možné závady	Možné řešení
Kontrolka LED dobíjení svítí červeně.	Trvalá chyba nabíječky baterií.	Obratě se na svého prodejce.
Kontrolka LED dobíjení bliká zeleně.	Teplotní odchylka – baterie je příliš studená nebo příliš horká pro použití nebo nabíjení.	Nechte baterii vychladnout nebo zahřát. Když má baterie správnou teplotu, lze ji znovu použít nebo nabít. Nabíječku baterií používejte při okolních teplotách v rozsahu 5 až 40 °C (41 až 104 °F).

Stav	Možné závady	Možné řešení
Kontrolka LED dobíjení bliká červeně.	Vadná baterie.	Obratete se na svého prodejce.

Přeprava, skladování a likvidace

Přeprava a skladování

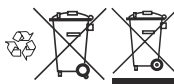
- Dodané Li-ion baterie podléhají požadavkům legislativy o nebezpečném zboží.
- Dodržujte zvláštní požadavky uvedené na obalu a označení pro komerční přepravu, platí i pro třetí strany a dopravce.
- Než odešlete výrobek, promluvte si s osobou speciálně vyškolenou ohledně manipulace s nebezpečnými materiály. Dodržujte platné celostátní předpisy.
- Před vložením baterie do obalu zalepte rozpojené kontakty páskou. Vložte baterii do obalu a zajistěte ji proti pohybu.
- Před uložením vždy nechte stroj vychladnout.
- Před přepravou nebo uskladněním vyjměte baterii.
- Uložte baterii a nabíječku baterií na místo, které je suché a chráněné před vlhkostí a mrazem.
- Neskladujte baterii v místech, kde může docházet k výbojům statické elektřiny. Neskladujte baterii v kovovém obalu.
- Baterii skladujte na místě, kde je teplota v rozsahu 5 až 25 °C a mimo přímé sluneční světlo.
- Nabíječku baterií skladujte na místě, kde je teplota v rozsahu 5 až 45 °C a mimo přímé sluneční světlo.
- Nabíječku baterií používejte pouze při okolních teplotách v rozsahu 5 až 40 °C.
- Před dlouhodobým uskladněním se ujistěte, že je baterie nabitá na 30 až 50 %.
- Uložte baterii a nabíječku baterií do uzavřené a suché místnosti.

- Skladujte baterii mimo nabíječku baterií. Nedovolte, aby se děti nebo neoprávněné osoby dotýkaly zařízení. Uchovávejte zařízení na místě, které lze uzamknout.
- Před dlouhodobým skladováním výrobku jej vyčistěte a proveďte kompletní údržbu.
- Před přepravou a uskladněním umístěte na výrobek přepravní kryt pro prevenci zranění a poškození.
- Během přepravy musí být výrobek bezpečně upevněný.

Likvidace baterie, nabíječky baterií a výrobku

Níže uvedený symbol znamená, že výrobek nelze zlikvidovat jako domácí odpad. Odevzdejte jej ve stanici pro recyklaci elektrických a elektronických zařízení. To pomůže eliminovat nebezpečí poškození životního prostředí a zdraví osob.

Další informace získáte od místních úřadů, služby zajišťující zpracování domácího odpadu nebo prodejce.



Povšimněte si: Tento symbol je znázorněn na výrobku nebo obalu výrobku.

Technické údaje

Technické údaje

	120iBV
Motor	
Typ motoru	BLDC (bezkomutátorový) 36 V
Hmotnost	
Hmotnost bez baterie, kg	4,6

	120iBV
Emise hluku ⁵⁸	
Hladina akustického výkonu, změřená dB (A)	97
Hladina akustického výkonu, zaručená L _{WA} dB (A)	100
Hladiny hluku ⁵⁹	
Ekvivalentní hladina akustického tlaku v úrovni uší obsluhy, měřená podle norem EN ISO 11203 a ISO 22868, dB (A):	84
Úrovně vibrací ⁶⁰	
Hladiny vibrací v přední/zadní rukojeti, měřené podle normy ISO 22867, m/s ²	1,4/1,7
Výkon ventilátoru	
Průtok vzduchu v normálním režimu se standardní tryskou, m ³ /min	6,7
Maximální rychlost vzduchu v normálním režimu se standardní tryskou, m/s / mph	50/111

Údaje o hluku a vibracích jsou stanoveny na základě jmenovitých maximálních otáček.

Schválené baterie

S tímto produktem používejte pouze originální baterie Husqvarna 40-B.

Schválené baterie

Baterie	40-B140
Typ	Lithium-iontová
Kapacita baterie, Ah	4
Jmenovité napětí, V	36
Hmotnost, kg	1,25

Schválené nabíječky baterí

Nabíječka baterí	40-C80
Síťové napětí, V	100–240
Frekvence, Hz	50–60
Výkon, W	72

⁵⁸ Emise hluku do okolního prostředí měřené jako akustický výkon (L_{WA}) v souladu se směrnicí 2000/14/ES. Uváděná hladina akustického výkonu pro stroj byla měřena s originálním řezacím nástavcem, který generuje nejvyšší hladinu. Rozdíl mezi garantovaným a měřeným akustickým výkonem je v tom, že garantovaný akustický výkon rovněž zahrnuje rozptyl výsledků měření a rozdíly mezi různými stroji téhož modelu podle Směrnice 2000/14/ES.

⁵⁹ Uváděná data pro ekvivalentní hladinu akustického tlaku pro stroj mají typickou statistickou odchylku (standardní odchylku) 3 dB (A).

⁶⁰ Uváděná data o úrovni vibrací mají typickou statistickou odchylku (standardní odchylku) 1,5 m/s².

Nabíječka bateríí	40-C80
Výstupní napětí, V DC/ ampéry, A	43/1,6

Prohlášení o shodě

Prohlášení o shodě EU

Společnost **Husqvarna AB**, SE-561 82 Huskvarna,
ŠVÉDSKO, tel.: +46-36-146500, na svou výhradní
odpovědnost prohlašuje, že výrobek:

Popis	Ruční zahradní foukač/vysavač
Značka	Husqvarna
Typ/Model	120iBV
Identifikace	Výrobní čísla od roku 2022 a dále

je zcela ve shodě s následujícími směrnici a předpisy
EU:

Nařízení	Popis
2006/42/ES	„o strojních zařízeních“
2014/30/EU	„o elektromagnetické kompatibilitě“
2011/65/EU	„o omezení používání některých nebezpečných látek v elektrických a elektronických zařízeních“
2000/14/ES	„týkající se emisí hluku do okolního prostředí“

a že byly použity následující
normy nebo technické specifikace: EN
60335-1:2012+A11+A13+A1+A14+A2+A15, EN
50636-2-100:2014, EN IEC 63000:2018, EN ISO
12100:2010, EN IEC 55014-1:2021; EN IEC
55014-2:2021

V souladu se směrnicí 2000/14/ES, příloha V, viz
část *Technické údaje na straní 358* s deklarovanými
hodnotami hluku.

Huskvarna, 2023-01-16



Claes Losdal, manažer výzkumu a vývoje, Husqvarna
AB

Osoba odpovědná za technickou dokumentaci

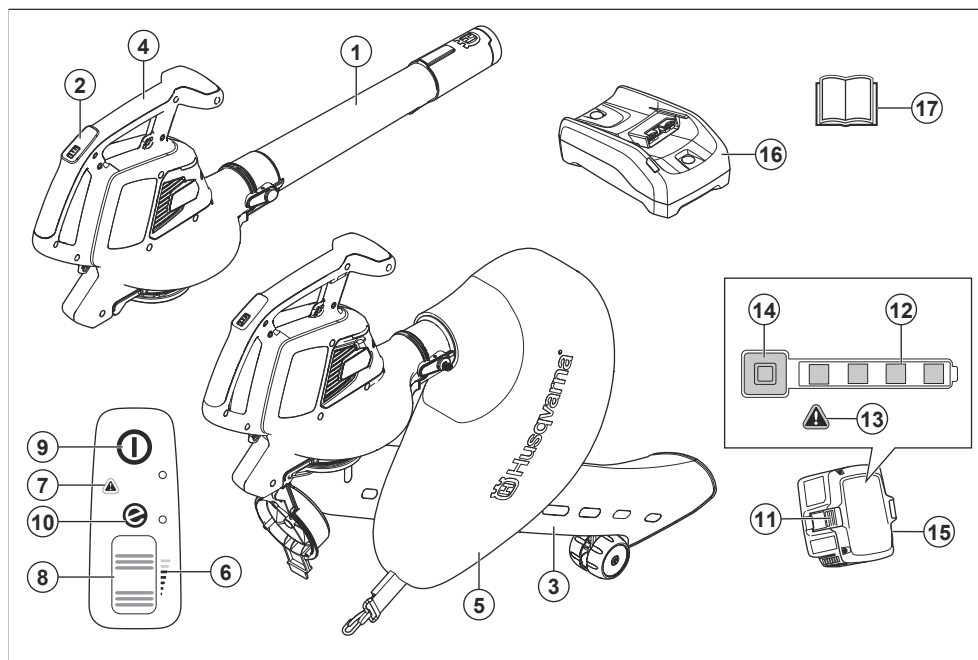


Obsah

Úvod.....	362	Riešenie problémov.....	375
Bezpečnosť.....	364	Preprava, skladovanie a likvidácia.....	376
Montáž.....	369	Technické údaje.....	377
Prevádzka.....	371	Vyhlasenie o zhode.....	379
Údržba.....	373		

Úvod

Prehľad výrobku



1. Fúkacia trubica
2. Klávesnica
3. Trubica vysávača
4. Rukoväť
5. Zberný vak
6. Indikátor prúdenia vzduchu
7. Výstražný indikátor (chybová dióda LED)
8. Ovládacie koliesko
9. Štartovacie/vypínacie tlačidlo
10. Indikátor SavE
11. Tlačidlo uvoľnenia batérie
12. Stav batérie
13. Výstražný indikátor (chybová dióda LED)

14. Indikátor napájania a upozornenia
15. Batéria, je výlučne súčasťou súpravy fúkača/ vysávača Husqvarna120iBV
16. Nabíjačka batérií, je výlučne súčasťou súpravy fúkača Husqvarna120iBV
17. Návod na obsluhu

Popis výrobku

Husqvarna 120iBV je model záhradného fúkača/ vysávača s elektrickým motorom.

Neustále ďalej vyvíjame svoje výrobky, a preto si vyhradzuje právo upravovať dizajn a vzhľad výrobkov bez toho, aby sme o tom vopred informovali.

Plánované použitie

Režim fúkača: Fúkač je určený na vyfukovanie nečistôt alebo pokosenej trávy z chodníkov, príjazdových ciest, dvorov a pod. Je tiež určený na vyfukovanie pokosenej trávy, slamy alebo lístia do hromád alebo na odstraňovanie čiastočiek nečistôt z rohov, škár alebo medzier medzi dlaždicami či tehliami.

Režim vysávača: Vysávač je určený na vysávanie suchého materiálu. Môže ísť o listy, trávu, malé vetvičky a kúsky papiera.

Symbole na výrobku



UPOZORNENIE: Tento výrobok môže byť nebezpečný a spôsobiť vážne poranenie alebo usmrtenie obsluhujúceho pracovníka alebo iných osôb. Postupujte opatrne a používajte výrobok správnym spôsobom.



Pred používaním tohto výrobku si prečítajte návod na obsluhu a uistite sa, že porozumiete uvedeným pokynom.



Používajte schválené chrániče očí.

V

Menovité napätie, V



Jednosmerný prúd.



Označenie týkajúce sa emisie hluku do okolia podľa smerníc a nariadení EÚ a UK a legislatívy v štáte New South Wales „Protection of the Environment Operations (Noise Control) Regulation 2017“ (Nariadenie o ochrane životného prostredia pri prevádzke (kontrola hluku) z roku 2017). Garantovaná hladina akustického výkonu produktu je uvedená v *Technické údaje na strane 377* a na štítku.



Pred vykonávaním údržby odpojte batériu.



Výrobok alebo jeho obal nepredstavuje komunálny odpad. Recyklujte ho v recyklačnej stanici určenej pre elektrické a elektronické zariadenia.



Tento výrobok je v súlade s príslušnými smernicami ES.



Tento výrobok je v súlade s príslušnými právnymi predpismi Spojeného kráľovstva.



Výrobok nevystavujte dažďu.



Po vypnutí výrobku počkajte, kým sa čepele rotora nezastavia.



V režime vysávača používajte výrobok iba vtedy, keď je trubica úplne zmontovaná.



Operátor fúkača musí zabezpečiť, aby sa žiadni ľudia alebo zvieratá nedostali bližšie ako 15 metrov od stroja. Ak v rovnakom priestore pracuje niekoľko operátorov, bezpečná vzdialenosť medzi nimi musí byť minimálne 15 metrov. Fúkač môže odhodit' predmety, ktoré môžu odskočiť späť. Ak sa nepoužíva odporúčané bezpečnostné vybavenie, môže to spôsobiť vážne poranenia očí.



mm tboxxx

Výkonový štítkozobrazuje výrobné číslo. **yyyy** je rok výroby, **ww** je týždeň výroby.

Poznámka: Ostatné symboly/štítky na rezacom nástroji obsahujú údaje v súlade so zvláštnymi požiadavkami certifikácie pre určité trhy.

Symbole na batérii a/alebo na nabíjačke batérií



Tento výrobok recyklujte v recyklačnej stanici určenej pre elektrické a elektronické zariadenia. (Uplatňuje sa iba na Európu)



Transformátor odolný voči poruchám.



Nabíjačku batérie používajte a skladujte len v interiéri.



Dvojitá izolácia.

Výrobca

Husqvarna AB

Drottninggatan 2, SE-561 82 Huskvarna

Poškodenie výrobku

Nie sme zodpovední za škody na našom výrobku v prípade:

- nesprávne vykonanej opravy výrobku,
- opravy výrobku, pri ktorej neboli použité diely od výrobcu alebo diely schválenej výrobcu,
- používania príslušenstva od iného výrobcu alebo príslušenstva, ktoré nie je schválené výrobcom,
- opravy výrobku, ktoré neboli vykonané v schválenom servisnom stredisku alebo schválenými kompetentnými osobami.

Bezpečnosť

Bezpečnostné definície

Výstrahy, upozornenia a poznámky slúžia na zdôraznenie mimoriadne dôležitých častí návodu na obsluhu.



VÝSTRAHA: Používa sa, ak pre obsluhu alebo osoby v okolí existuje nebezpečenstvo poranenia alebo smrti v prípade nedodržania pokynov v návode.



VAROVANIE: Používa sa, ak hrozí nebezpečenstvo poškodenia produktu alebo nadstavca, iných materiálov alebo okolitej oblasti v prípade nedodržania pokynov v návode.

Poznámka: Používa sa na poskytnutie informácií nad rámec nevyhnutných informácií v danej situácii.

Všeobecné bezpečnostné pokyny



VÝSTRAHA: Skôr než budete výrobok používať, prečítajte si nasledujúce výstrahy.

- Pozorne si prečítajte pokyny, aby ste sa oboznámili s ovládacími prvkami a správnu prevádzkou zariadenia. Pri nesprávnom alebo neopatrnom používaní výrobku sa z neho môže stať nebezpečný nástroj, ktorý môže spôsobiť vážne alebo dokonca smrteľné poranenia obsluhu alebo iným osobám.
- Za žiadnych okolností nemeňte pôvodnú konštrukciu výrobku bez schválenia od výrobcu. Nikdy nepoužívajte výrobok, ktorý bol pozmenený a nezodpovedá s originálnym prevedením. Vždy

používajte originálne príslušenstvo. Nepovolené zmeny alebo príslušenstvo môžu viesť k vážnemu zraneniu alebo smrti operátora alebo ostatných osôb. Vaša záruka nemusí pokrývať poškodenia ani škody spôsobené neschváleným príslušenstvom alebo náhradnými dielmi.

- Tento výrobok vytvára počas prevádzky elektromagnetické pole. Toto pole môže za určitých okolností spôsobovať rušenie aktívnych alebo pasívnych implantovaných zdravotníckych pomôcok. Zníženie rizika podmienok, ktoré môžu viesť k vážnemu alebo aj smrteľnému poraneniu, si vyžaduje, aby sa osoby s implantovanými pomôckami poradili so svojím lekárom a výrobcom pomôcky ešte pred použitím tohto výrobku.
- Pred pripojením na nabíjačku vyberte batériu z výrobku.

Všeobecné bezpečnostné upozornenie pre elektrické nástroje

Skontrolujte pred naštartovaním

- Skontrolujte pracovnú oblasť. Odstráňte všetky voľné predmety, ako sú kamene, úlomky skla, klince, oceľové drôty, šnúry a pod., ktoré by mohli byť vymrštené.
- Batériu vždy vyberte, aby nedošlo k náhodnému zapnutiu zariadenia. Pred akoukoľvek údržbou zariadenia vždy odpojte batériu.
- Pred použitím zariadenia a po akomkoľvek náraze skontrolujte známky opotrebovania alebo poškodenia a podľa potreby vykonajte opravy.
- Používajte iba originálne náhradné diely.
- Používateľ stroja musí zabezpečiť, aby sa počas práce stroja nemohli dostať žiadni ľudia ani zvieratá do okruhu 15 metrov od stroja. Pokiaľ v rovnakom priestore pracujú niekoľkí používatelia, bezpečná

vzdialenosť medzi nimi musí byť minimálne 15 metrov.

- Pred použitím vykonajte celkovú kontrolu stroja - pozrite si plán údržby.
- Použitie môže byť regulované národnými alebo miestnymi predpismi. Dodržiavajte príslušné predpisy.

Osobná bezpečnosť

- **Buďte pozorní, sledujte, čo robíte, a pri používaní elektrického nástroja postupujte rozumne. Nepoužívajte elektrický nástroj, keď ste unavení alebo pod vplyvom drog, alkoholu alebo liekov.** Chvilka nepozornosti pri používaní elektrických nástrojov môže spôsobiť vážne osobné poranenie.
- Vykážte ostatné osoby z pracovného priestoru.
- Tento spotrebič nie je určený na použitie osobami (vrátane detí) s obmedzenými fyzickými, zmyslovými alebo mentálnymi schopnosťami, alebo s nedostatkom skúseností a vedomostí, pokiaľ tieto osoby nie sú pod dohľadom alebo ak neboli poučené o používaní spotrebiča osobou zodpovednou za ich bezpečnosť. Deti by mali byť pod dohľadom, aby sa zabezpečilo, že sa so zariadením nehrajú.
- Nikdy nedovoľte používať výrobok deťom ani osobám, ktoré sa neoboznámili s návodom na používanie. Miestne predpisy môžu obmedzovať vek používateľa.
- Nedovoľte neoprávneným osobám, aby sa priblížili k miestu práce. Deti, zvieratá, okolostojace osoby a pomocníci musia ostať za bezpečnou zónou 15 metrov (50 stôp). Ak by sa niekto viac priblížil, stroj okamžite zastavte.
- Skladujte vybavenie na uzamykateľnom mieste, aby bolo mimo dosahu detí a nepovolaných osôb.
- Zariadenie nepoužívajte na dláždenom povrchu ani na štrku, pretože by odletujúci materiál mohol spôsobiť zranenie.
- Počas používania tohto zariadenia vždy používajte vhodnú obuv a dlhé nohavice. Ak ste bosí alebo máte obuté otvorené sandále, toto zariadenie nepoužívajte. Nenoste voľné oblečenie ani iné voľné doplnky odevu.
- Nikdy nenoste voľné odevy alebo šperky, ktoré by mohli byť vtiahnuté do vstupného vzduchového otvoru. Nedovoľte, aby sa dlhé vlasy dostali do vstupných vzduchových otvorov.
- Nikdy nepoužívajte stroj pri únave, po požití alkoholu alebo liekov, pretože to môže viesť k zhoršeniu zraku, úsudku alebo koordinácie.
- Noste osobné ochranné prostriedky. Pozrite si pokyny v časti Osobné ochranné prostriedky.
- Pri predávaní stroja inej osobe vždy vyberte batériu.
- Majte na pamäti, že vy ako operátor ste zodpovedný za to, aby ste nevystavovali osoby alebo ich majetok nehoďam alebo nebezpečenstvu.

Používanie a starostlivosť o elektrické náradie

- Nikdy nepoužívajte stroj, ktorý bol pozmenený a nezhoduje sa s originálnym prevedením. Nikdy nepoužívajte stroj v blízkosti výbušných alebo horľavých materiálov.
- Nikdy nepoužívajte poškodené zariadenie. Vykonávajte bezpečnostné kontroly, údržby a dodržiavajte servisné pokyny uvedené v tomto návode. Určité opatrenia týkajúce sa servisu a údržby zariadenia musia vykonávať iba odborníci. Pozrite si pokyny v časti Údržba.
- Používajte iba originálne náhradné diely.
- Vždy skontrolujte, či sa vo vetracích otvoroch nenachádzajú odpadky.
- Pred naštartovaním sa musia nasadiť všetky kryty, ochranné prvky a rukoväte.
- Stroj používajte iba za denného svetla alebo pri dobrom osvetlení.
- Zariadenie nikdy nepoužívajte počas nepriaznivých poveternostných podmienok, napríklad v hmle, v daždi, na vlhkých alebo mokrych miestach, v silnom vetre, v silnom mraze, pri vysokom riziku blesku atď. Mimoriadne horúce počasie môže spôsobiť prehrievanie zariadenia. V zlom počasí býva práca s produktom únavná a môžu vzniknúť nebezpečné podmienky, napríklad klzké plochy.
- Ak stroj začne nadmerne vibrovať, zastavte ho a vyberte batériu.
- Pri práci so strojom kráčajte, nebežte.

Bezpečnostné pokyny pre prevádzku

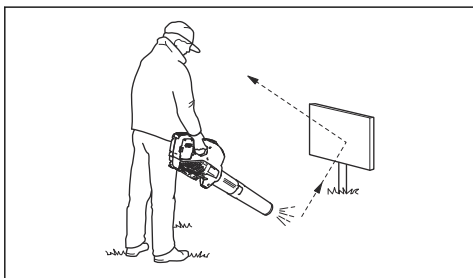


VÝSTRAHA: Skôr než budete výrobok používať, prečítajte si nasledujúce výstrahy.

- Ak sa vyskytne situácia, v ktorej si nebudete istí, ako postupovať, obráťte sa na odborníka. Kontaktujte predajcu alebo servisné stredisko. Nepoužívajte výrobok, ak to podľa vás presahuje vaše možnosti.
- Uistite sa, že sa môžete pohybovať a stáť bezpečne. Skontrolujte, či okolo vás nie sú prekážky (korene, skaly, vetvy, jamy a podobne) pre prípad, že by ste sa museli náhle pohnúť. Dávajte veľký pozor pri práci na prudkých svahoch.
- Za každých okolností udržiavajte dobrú rovnováhu a pevný postoj. Nenatáhujte sa príliš ďaleko.
- Ak nosíte chrániče sluchu, dávajte pozor na varovné signály alebo výkriky. Vždy si chrániče sluchu skladajte hneď, ako sa výrobok zastaví.
- Výrobok nepoužívajte v blízkosti otvorených okien.
- Buďte ohľaduplní k osobám žijúcim vo vašom okolí a nepoužívajte výrobok v nevhodný čas, napríklad neskoro večer alebo skoro ráno. Dodržiavajte miestne predpisy a nariadenia.
- Používajte výrobok na čo najmenšie prúdenie vzduchu. Málokedy je potrebné využívať plné

prúdenie vzduchu a väčšina prác sa dá vykonávať na polovičné prúdenie vzduchu. Menšie prúdenie vzduchu znamená menej hluku a menej prachu a taktiež sa ľahšie udržiava kontrola nad presúvaním/zbieraním odpadu.

- Pri použití výrobku v prašných podmienkach mierne navlhčite povrch.
- Na uvoľnenie odpadu, ktorý je uviaznutý v zemi, použite hrable.
- Pridržiavajte otvor fúkača čo najbližšie k zemi.
- Dávajte pozor na okolie. Výrobok nasmerujte preč od ľudí, zvierat, detských ihrísk, áut atď.
- Čas fúkania skráťte miernym zvlhčením prašných miest alebo použitím striekacieho zariadenia.
- Dávajte pozor na smer vetra. Prácu vykonáte ľahšie, ak budete pracovať v smere vetra.
- Ak výrobok začne nezvykle vibrovať, zastavte ho a vyberte batériu.
- Používanie fúkača na premiestnenie veľkých kôp zaberie veľa času a vytvára sa zbytočný hluk.
- Následne môžete začať s čistením. Uistite sa, že ste nenafúkali odpad do niečej záhrady.
- S výrobkom nebehajte.
- Silný prúd vzduchu môže presúvať predmety takou rýchlosťou, že sa môžu odraziť späť a spôsobiť vážne poranenia očí.



- Prúd vzduchu nesmerujte na ľudí ani zvieratá.
- Pred montážou alebo demontážou príslušenstva alebo iných dielov vždy zastavte motor.
- Všetky časti tela udržiavajte mimo horúcich plôch.
- Nikdy neukladajte výrobok na zem, keď je spustený, ak ho nemáte neustále zreteľne pod dohľadom.
- Zastavte zariadenie a vyberte batériu. Overte, či sa všetky pohyblivé časti zariadenia úplne zastavili:
 - vždy, keď sa od zariadenia vzdialíte,
 - pred začatím odstraňovania zablokovania alebo čistenia žlabu,
 - pred začatím kontroly, čistenia alebo výkonu prác na zariadení.
- Ak rezací mechanizmus narazí na akékoľvek cudzie predmety alebo ak zariadenie začne vydávať akýkoľvek netypický zvuk alebo vibrácie, ihneď vypnite zdroj napájania a zastavte zariadenie. Odpojte batériu zo zariadenia a pred ďalším

naštartovaním a prevádzkou zariadenia vykonajte nasledujúce kroky:

- skontrolujte prípadné poškodenie,
- vymeňte alebo opravte poškodené súčasti,
- skontrolujte prípadne uvoľnené súčasti a utiahnite ich.
- Ak dôjde k upchatiu zariadenia, pred čistením nežiaduceho materiálu vypnite zdroj napájania a odpojte zariadenie od batérie.
- Neprepravujte toto zariadenie so zapnutým zdrojom napájania.
- Nenakláňajte zariadenie so zapnutým zdrojom napájania.
- Fúkač sa nesmie používať z rebríka alebo lešenia.



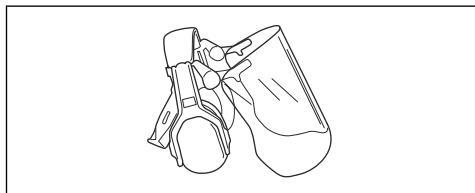
- Výrobok smiete používať len v takom prípade, že ste schopní privolať pomoc v prípade nehody.
- Dávajte pozor na odletujúce predmety. Kamene, úlomky atď. môžu vyletieť do očí a zapríčiniť slepotu alebo vážne poranenie.
- Na zvýšenie bezpečnosti pri nabíjaní výrobku použite zariadenie zvyškového prúdu (RCD). Zariadenie zvyškového prúdu je nainštalované ako ochrana operátora pre prípad výskytu elektrickej poruchy.
- Tento výrobok je známy svojou nízkou úrovňou vibrácií. Nadmerné vystavenie vibráciám môže viesť k poškodeniu krvného obehu alebo nervovým poškodeniam u ľudí, ktorí majú zhoršený krvný obeh. Pri symptómoch nadmerného vystavenia vibráciám sa obráťte na svojho lekára. Tieto príznaky sú trpnutie, strata citu, chvenie, pichanie, bolesť, strata sily, zmeny vo farbe a stave pleti. Tieto symptómy sa bežne objavujú na prstoch, rukách a zápästiach.
- Výrobok používajte len na účel, na ktorý je určený.
- Nie je možné predvídať každú situáciu, ktorá môže nastať. Vždy konajte opatrne a riadte sa zdravým rozumom. Vyvarujte sa každej situácie, ktorá podľa vás presahuje vaše možnosti. Ak si ani po prečítaní týchto pokynov nie ste istý, ako so strojom zaobchádzať, obráťte sa na odborníka.

Osobné ochranné prostriedky

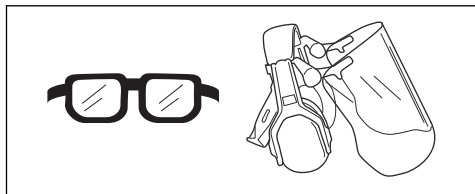


VÝSTRAHA: Skôr než budete výrobok používať, prečítajte si nasledujúce výstrahy.

- Pri používaní produktu vždy používajte schválené osobné ochranné prostriedky. Osobné ochranné prostriedky nedokážu úplne vylúčiť riziko, ale môžu znížiť vážnosť zranenia v prípade nehody. Váš predajca vám pomôže pri výbere správnych prostriedkov.
- Pri dlhodobom vystavení hluku hrozí riziko poškodenia sluchu. Produkty napájané batériami bývajú spravidla relatívne tiché, ale hladina hluku v kombinácii s dlhobojším používaním môže spôsobiť poškodenie. Spoločnosť odporúča, aby pracovníci obsluhujúci produkt počas dlhších súvislých úsekov dňa nosili chrániče sluchu. Osoby, ktoré produkt používajú sústavne a pravidelne, by si mali nechať pravidelne kontrolovať sluch. Myslite na to, že chrániče sluchu obmedzujú schopnosť počuť zvuky a varovné signály.



- Používajte schválené chrániče očí. Ak používate štít, musíte tiež používať schválené ochranné okuliare. Schválené ochranné okuliare musia zodpovedať norme ANSI Z87.1 platnej v USA alebo norme EN 166 platnej v krajinách EÚ.



- Používajte odev vyrobený z pevnej tkaniny. Vždy noste pevné, dlhé nohavice a dlhé rukávy. Nepoužívajte voľný odev, ktorý sa môže zachytiť v konároch a vetvách. Nenoste šperky, krátke nohavice, sandále a nebuďte bosí. Vlasy si bezpečne uchytte nad úrovňou ramien.
- Majte poruke pomôcky na poskytnutie prvej pomoci.



- V prašnom prostredí by sa mala používať dýchacia maska.

Bezpečnostné zariadenia na výrobku

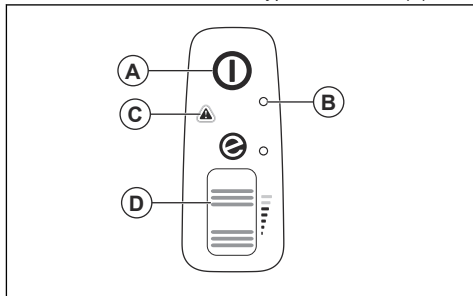


VÝSTRAHA: Skôr než budete výrobok používať, prečítajte si nasledujúce výstrahy.

- V tejto časti je opísané bezpečnostné vybavenie výrobku, jeho účel a postup, ako vykonávať kontroly a údržbu, aby bola zabezpečená jeho správna činnosť. Pozrite si pokyny v časti *Prehľad výrobku na strane 362* kde nájdete informácie o umiestnení týchto častí na výrobku.
- Ak údržba výrobku nebude vykonávaná správne, skráti sa tým jeho životnosť a zvýši sa riziko nehodovosti. Servis a/alebo opravy musia byť vykonané odborné. Ak potrebujete podrobnejšie informácie, obráťte sa na najbližší servis.
- Nikdy nepoužívajte výrobok, ktorý má chybné bezpečnostné súčasti. Bezpečnostné vybavenie výrobku sa musí kontrolovať a udržiavať tak, ako je to opísané v tejto časti. Ak výrobok neprejde niektorou z kontrol, obráťte sa na servisného zástupcu na účel opravy.
- Všetky servisné a opravné práce na výrobku si vyžadujú špeciálne školenie. Platí to najmä o bezpečnostnom vybavení výrobku. Ak výrobok neprejde niektorou z kontrol popísaných nižšie, obráťte sa na servisného zástupcu. Pri kúpe ktoréhokoľvek z našich výrobkov vám zaručujeme dostupnosť odborných opráv a servis. Ak maloobchodný predajca, ktorý vám výrobok predáva, nie je servisný technik, požiadaajte ho o adresu najbližšej servisnej dielne.

Kontrola klávesnice

1. Stlačte a držte štartovacie/vypínacie tlačidlo (A).



- a) Výrobok je zapnutý, keď sa rozsvieti dióda LED (B).
 - b) Produkt je vypnutý, keď nesvieti dióda LED (B).
2. V časti *Používateľské rozhranie na strane 375* ak sa rozsvieti alebo bliká výstražný indikátor (C).
 3. Stlačením a uvoľnením ovládacieho kolieska (D) sa uistíte, že sa ním dá voľne pohybovať.

Bezpečnosť batérie



VÝSTRAHA: Skôr než budete výrobok používať, prečítajte si nasledujúce výstrahy.

- Používajte iba batérie série 40-B, ktoré pre tento výrobok odporúčame. V časti *Schválené batérie na strane 377*. Batérie sú softvérovú kódované.
- Nabíjateľné batérie 40-B používajte iba na napájanie príslušných výrobkov značky Husqvarna. V prípade iných zariadení nepoužívajte batériu ako zdroj napájania, aby ste zabránili riziku zranenia.
- Nebezpečenstvo zásahu elektrickým prúdom. Nepripájajte konektory batérie ku kľúčom, skrutkám ani k iným kovovým predmetom. Môže dôjsť k skratu batérie.
- Nepoužívajte batérie, ktoré nie sú nabíjateľné.
- Do vetracích otvorov batérie nekladajte žiadne predmety.
- Batériu nevystavuje priamemu slnečnému žiareniu, teplu ani otvorenému ohňu. Batéria môže spôsobiť popálenie alebo poleptanie.
- Batériu nevystavuje dažďu ani vlhku.
- Batériu nevystavuje mikrovlnnému žiareniu ani vysokému tlaku.
- Nepokúšajte sa rozoberať ani rozdrviť batériu.
- Batériu používajte v prostredí, v ktorom sa teplota pohybuje od $-10\text{ }^{\circ}\text{C}$ ($14\text{ }^{\circ}\text{F}$) do $40\text{ }^{\circ}\text{C}$ ($104\text{ }^{\circ}\text{F}$).
- Batériu ani nabíjačku batérií nečistite vodou. V časti *Čistenie výrobku, batérie a nabíjačky batérií na strane 374*.
- Nepoužívajte chybnú ani poškodenú batériu.
- Batérie uchovávajte v bezpečnej vzdialenosti od kovových predmetov, ako sú napr. kľince, skrutky alebo šperky.
- Batériu uchovávajte mimo dosahu detí.

Bezpečnosť nabíjačky batérií



VÝSTRAHA: Skôr než budete výrobok používať, prečítajte si nasledujúce výstrahy.

- V prípade nedodržania bezpečnostných pokynov hrozí nebezpečenstvo zásahu elektrickým prúdom alebo skratu.
- Používajte len nabíjačky batérií dodané s vaším výrobkom. Na nabíjanie náhradných batérií Husqvarna 40-B140 používajte iba nabíjačky 40-C80. V časti *Schválené nabíjačky akumulátorov na strane 378* a *Schválené batérie na strane 377*.
- Nabíjačku batérií sa nepokúšajte rozoberať.
- Nepoužívajte chybnú alebo poškodenú nabíjačku batérií.
- Nabíjačku batérií nedvíhajte za napájací kábel. Pri odpájaní nabíjačky batérií od sieťovej zásuvky ťahajte za zástrčku. Netahajte za napájací kábel.

- Udržiavajte všetky káble a predžvovacie káble mimo dosahu vody, oleja a ostrých hrán. Dbajte, aby sa kábel nezachytil vo dverách, plochách a podobne.
- Nabíjačku batérií nepoužívajte v blízkosti horľavých materiálov alebo materiálov, ktoré spôsobujú koróziu. Skontrolujte, či nabíjačka batérií nie je zakrytá. V prípade výskytu dymu alebo ohňa odpojte zástrčku nabíjačky batérií.
- Batériu nabíjajte len v interiéri na miestach s dobrým prúdením vzduchu a mimo slnečného svetla. Batériu nenabíjajte vonku. Batériu nenabíjajte vo vlhkom prostredí.
- Nabíjačku batérií používajte iba pri teplotách od $5\text{ }^{\circ}\text{C}$ ($41\text{ }^{\circ}\text{F}$) do $40\text{ }^{\circ}\text{C}$ ($104\text{ }^{\circ}\text{F}$). Nabíjačku používajte v prostredí, ktoré je dobre vetrané, suché a bez prachu.
- Do chladiacich otvorov nabíjačky batérií nekladajte žiadne predmety.
- Nikdy nepripájajte koncovky nabíjačky batérií ku kovovým predmetom, pretože tak môže nabíjačka skratovať.
- Používajte schválené elektrické zásuvky, ktoré nie sú poškodené. Skontrolujte, či nie je poškodený kábel nabíjačky batérií. Ak používate predžvovacie káble, uistite sa, že nie sú poškodené.

Bezpečnostné pokyny pre údržbu



VÝSTRAHA: Skôr než začnete s údržbou výrobku, prečítajte si nasledujúce výstrahy.

- Pri odstavení zariadenia v záujme vykonania servisu, kontroly, uskladnenia alebo výmeny príslušenstva, pred vykonávaním akýchkoľvek kontrol, nastavení atď. nechajte zariadenie vychladnúť. K zariadeniu prístupujte opatrne a udržiavajte ho čisté.
- Pred vykonávaním údržby, inými kontrolami alebo zmontovaním produktu vyberte akumulátor.
- Obsluha je povinná vykonávať iba údržbu a servisné úkony uvedené v tomto návode na obsluhu. O vykonanie rozsiahlejšej údržby alebo servisu požiadajte svojho servisného zástupcu.
- Dávajte pozor, aby boli všetky matice, kolíky a skrutky utiahnuté, aby ste sa uistili, že výrobok je bezpečným prevádzkovom stave.
- Opotrebované alebo poškodené časti vymeňte.
- V prípade zanedbania údržby sa skracuje životnosť výrobku a zvyšuje sa riziko vzniku nehôd.
- Na vykonávanie všetkých servisných a opravných úkonov, najmä na bezpečnostných zariadeniach na výrobku, je potrebné špeciálne odborné vzdelanie. Ak po vykonaní údržby nie je možné úspešne vykonať všetky kontroly v tomto návode na obsluhu, požiadajte o pomoc servisného predajcu. Zaručujeme, pre tento výrobok sú k dispozícii profesionálne opravné a servisné služby.
- Používajte iba originálne náhradné diely.

Montáž

Režim fúkača



VÝSTRAHA:

Otáčanie čepeľí rotora alebo náhodné zapnutie výrobku môže spôsobiť rezné poranenie. Pred montážou výrobku vyberte batériu a počkajte, kým sa čepele rotora nezastavia.

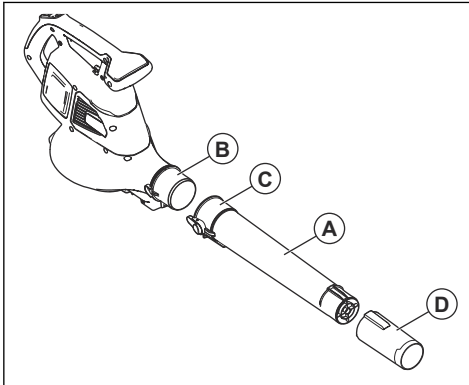


VÝSTRAHA: Pred použitím výrobku v režime fúkača úplne zostavte fúkaciu trubicu a kryt nasávania.

Montáž fúkacej trubice

Poznámka: Ak nie je fúkacia trubica správne zmontovaná, bezpečnostný spínač zabráni spusteniu fúkača.

1. Nasuňte fúkaciu trubicu (A) na výstup fúkača (B). Keď sa ozve cvaknutie, aktivuje sa blokovanie (C).

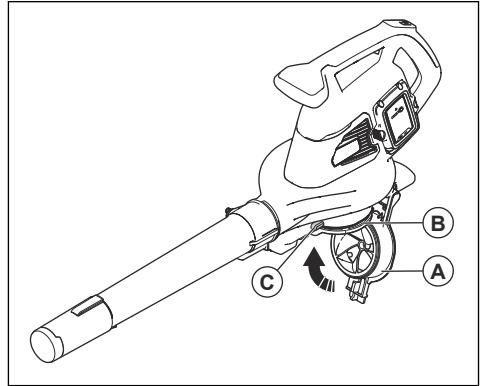


2. Nainštalujte fúkaciu trysku (D) na fúkaciu trubicu. Fúkacia tryska sa zaistí na mieste, keď sa ozve cvaknutie.

Montáž krytu nasávania

Poznámka: Ak nie je kryt nasávania správne zmontovaný, bezpečnostný spínač zabráni spusteniu fúkača.

- Zatvorte kryt nasávania (A) na vstupe fúkača (B). Keď sa ozve cvaknutie, aktivuje sa blokovanie (C).



Režim vysávača



VÝSTRAHA: Pred použitím výrobku v režime vysávača úplne zostavte vysávaciu trubicu a zberný vak.

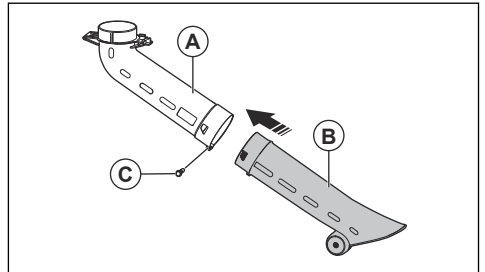
Montáž vysávacej trubice



VÝSTRAHA: Pred spustením výrobku zmontujte hornú a spodnú vysávaciu trubicu.

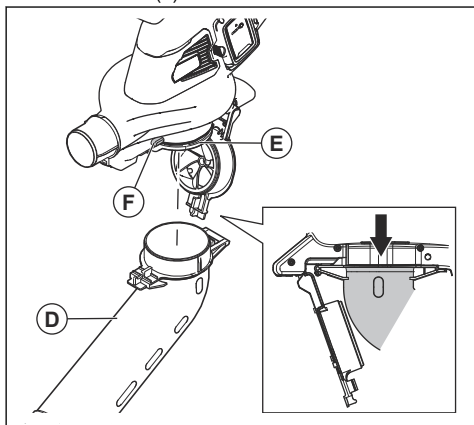
Poznámka: Keď nie je vysávacía trubica správne zostavená, bezpečnostný spínač zabráni spusteniu vysávača.

1. Zarovnajte otvory na hornej vysávacej trubici (A) s výstupkami na spodnej vysávacej trubici (B).



2. Zatlačte spodnú vysávaciu trubicu na hornú vysávaciu trubicu, kým nebudete počuť cvaknutie.
3. Utiahnite skrutku (C).

4. Nainštalujte vysávaciu trubicu (D) do vstupného otvoru vysávača (E). Keď sa ozve cvaknutie, aktivuje sa blokovanie (F).



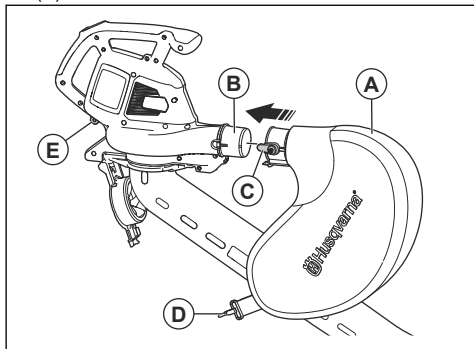
Montáž zberného vaku

Poznámka: Ak zberný vak nie je správne zostavený, bezpečnostný spínač zastaví proces spustenia výrobu.

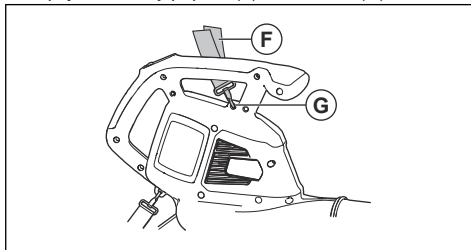


VÝSTRAHA: Pred pripojením alebo odobratím zberača vypnite zariadenie.

1. Odstráňte fúkaciu trubicu, ak je nainštalovaná na výrobu.
2. Zatláčajte zberný vak (A) na výstupný otvor vysávača (B). Keď sa ozve cvaknutie, aktivuje sa blokovanie (C).



3. Spojte popruh zberného vaku (D) s držiakom (E).
4. Spojte ramenný popruh (F) s držiakom (G).



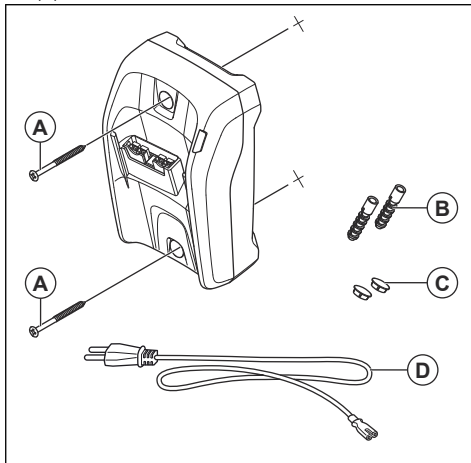
5. Skontrolujte, či je zberný vak úplne zatvorený.

Montáž nabíjačky akumulátora na stenu



VAROVANIE: Na montáž nabíjačky akumulátora na stenu nepoužívajte elektrický skrutkovač. Elektrický skrutkovač môže spôsobiť poškodenie nabíjačky batérií.

1. Namontujte nabíjačku batérie na stenu pomocou 2 skrutiek (A). V prípade potreby použite hmoždinky (B).



2. Namontujte 2 závitové uzávery (C).
3. Napájací kábel (D) pripojte do nabíjačky batérií a do uzemnenej zásuvky.

Prevádzka

Úvod

a nabíjačky akumulátora a uistite sa, že mu rozumiete.



VÝSTRAHA: Pred používaním výrobku si prečítajte kapitolu o bezpečnosti a uistite sa, že rozumiete informáciám, ktoré sa v nej uvádzajú.

Kontrola funkcií pred používaním výrobku

1. Skontrolujte, či sa v nasávaní vzduchu nenachádzajú žiadne nečistoty ani praskliny. Pomocou kefy očistite trávu a listy z výrobku.
2. Skontrolujte, či výrobok funguje správne.
3. Skontrolujte všetky matice a skrutky a uistite sa, že sú pevne utiahnuté.

Batéria



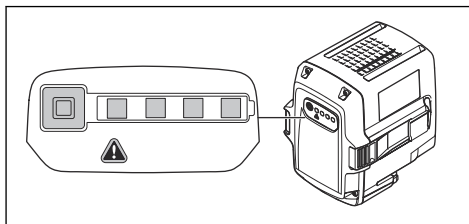
VÝSTRAHA: Pred používaním akumulátora si prečítajte kapitolu o bezpečnosti a uistite sa, že rozumiete informáciám, ktoré sa v nej uvádzajú. Prečítajte si návod na obsluhu akumulátora

Akumulátor a nabíjačku udržiavajte pri správnej teplote okolia.

	Teplota okolitého prostredia
Prevádzka batérie	5 °C - 40 °C / 41 °F - 104 °F
Nabíjanie batérie	5 °C - 40 °C / 41 °F - 104 °F

Stav batérie

Na displeji sa zobrazuje stav nabitia a prípadné problémy s batériou.



Indikátor LED	Indikátory stavu nabitia akumulátora
Svietia 4 diódy LED	Batéria je nabitá na 76 % – 100 %.
Svietia 3 diódy LED	Batéria je nabitá na 51 % – 75%.
Svietia 2 diódy LED	Batéria je nabitá na 26 % – 50%.
Svieti 1 dióda LED	Batéria je nabitá na 6 % – 25%.
Bliká 1 dióda LED	Batéria je nabitá na 0 % – 5 %.

Nabíjanie batérie

Ak batériu používate prvýkrát, nabite ju. Nová batéria je nabitá iba na 30 %.

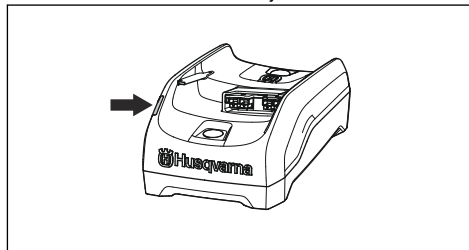


VAROVANIE: Nabíjačku akumulátora pripájajte k sieťovej zásuvke s napätím a frekvenciou uvedenými na výkonovom štítku.

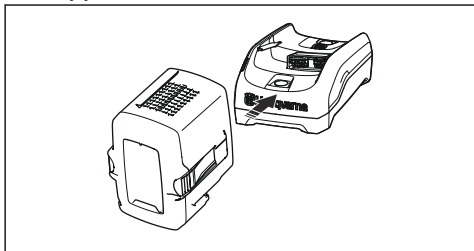
Akumulátor sa nenabíja, pokiaľ je jej teplota vyššia než 50 °C (122 °F).

1. Pripojte napájací kábel k nabíjačke akumulátora.

2. Pripojte nabíjačku akumulátora k uzemnenej sieťovej zásuvke. Indikátor LED nabíjania raz zabliká.



3. Pripojte akumulátor k nabíjačke akumulátorov. Rozsvietí sa indikátor LED nabíjania. Batériu nabíjajte maximálne 24 hodín.



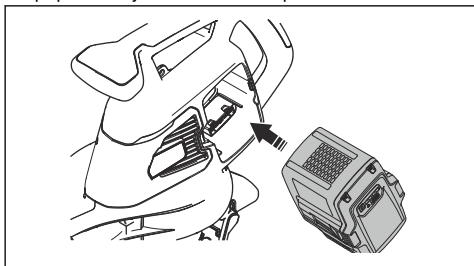
4. Stlačte tlačidlo indikátora batérie, ak sa všetky indikátory LED batérie rozsvietia, akumulátor je úplne nabitý.
5. Vytiahnutím zástrčky odpojte nabíjačku batérií z napájacej zásuvky. Neťahajte za napájací kábel.
6. Vyberte batériu z nabíjačky batérií.

Pripojenie batérie k výrobku

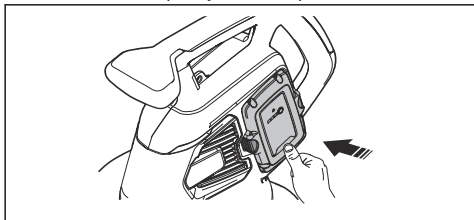


VÝSTRAHA: Vo výrobku používajte iba originálne batérie Husqvarna.

1. Uistite sa, že je batéria plne nabitá.
2. Zasuňte batériu do držiaku na batériu na výrobku. Batéria sa musí jednoducho zasunúť, v opačnom prípade nie je nainštalovaná správne.

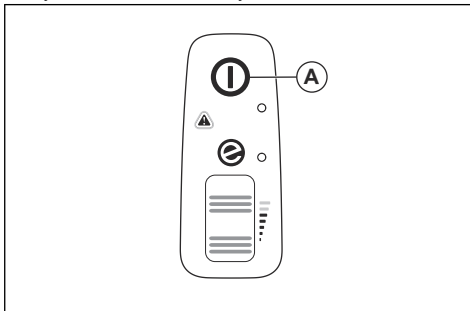


3. Zatláče na spodnú časť batérie a zatlačte ju čo najhlbšie do priečinka na batériu. Batéria sa zaistí na mieste, keď začujete cvaknutie.
4. Uistite sa, že západky riadne zapadli na miesto.

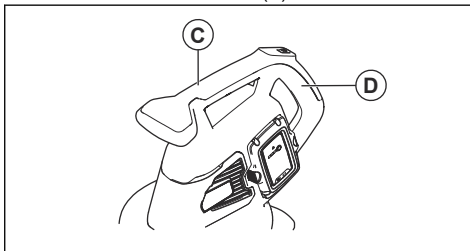


Zapnutie výrobku

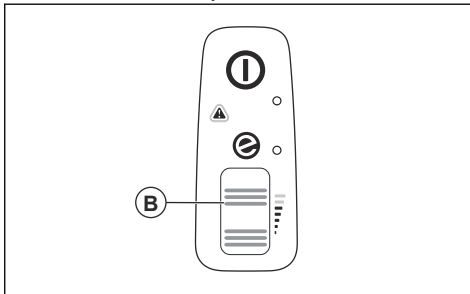
1. Stlačte a podržte tlačidlo spustenia/zastavenia (A), kým sa nerozsvieti zelený indikátor LED.



2. Jednou rukou držte pomocnú rukoväť (C) a druhou rukou držte hlavnú rukoväť (D).

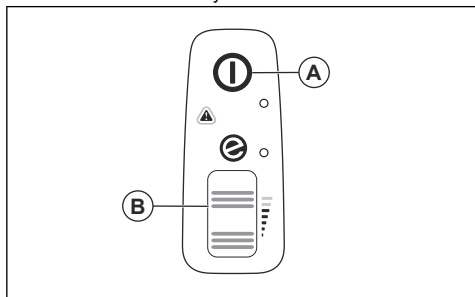


3. Otočením ovládacieho kolieska (B) nahor spustíte režim fúkania alebo vysávania.



Zastavenie výrobku

- Otočením ovládacieho kolieska (B) nadol zastavíte režim fúkania alebo vysávania.

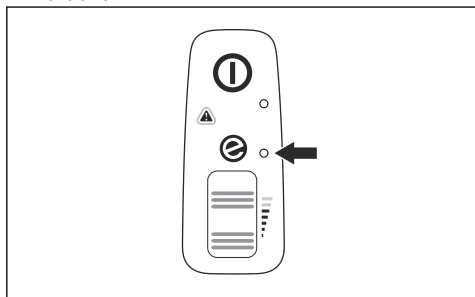


- Stlačte a podržte tlačidlo spustenia/zastavenia (A), kým zelený indikátor LED nezhasne.

Režim ECO

Režim ECO zvyšuje životnosť batérie.

- Otočením ovládacieho kolieska nadol spustíte režim ECO. Po spustení režimu ECO sa rozsvieti LED kontrolka.



- Otočením ovládacieho kolieska nahor spustíte normálny režim. Po spustení normálneho režimu sa LED kontrolka vypne.

Vyprázdenie zberného vaku



VÝSTRAHA:

Ostré predmety môžu spôsobiť zranenie. Keď vyprázdňujete zberný vak, nekladajte doň ruky.

- Vypnite výrobok.
- Odstráňte zberný vak.
- Otočte vnútornú stranu zberného vaku a vyberte zozbierané predmety.
- Vyčistite zberný vak pomocou vodnej hadice.
- Nechajte zberný vak vyschnúť.
- Zberný vak zmontujte.

Funkcia automatického vypnutia

Výrobok disponuje funkciou automatického vypnutia, ktorá výrobok vypne, ak sa nepoužíva. Výrobok sa po 1 minúte vypne.

Údržba

Úvod



VÝSTRAHA: Pred vykonávaním akejkoľvek údržby si musíte prečítať kapitolu o bezpečnosti a porozumieť informáciám, ktoré sa v nej uvádzajú.

Plán údržby



VÝSTRAHA: Pred vykonaním údržby vyberte batériu.

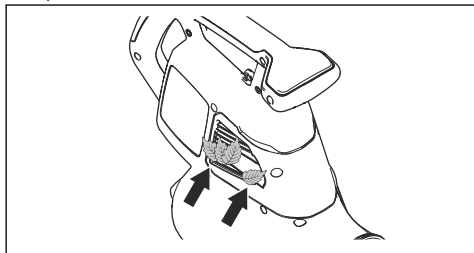
Nasleduje zoznam postupov údržby, ktoré na výrobku musíte vykonávať.

Údržba	Denne	Týždenne	Mesačne
Vonkajší povrch čistíte čistou a suchou tkaninou. Nepoužívajte vodu.	X		
Rukoväte udržiavajte suché, čisté a neznečistené olejom a mazivom.	X		
Skontrolujte, či správne funguje štartovacie/vypínacie tlačidlo a či nie je poškodené.	X		
Uistite sa, že ovládacie koliesko funguje správne z hľadiska bezpečnosti.	X		

Údržba	Denne	Týždenne	Mesačne
Skontrolujte tesnosť matíc a skrutiek.	X		
Skontrolujte, či nie je poškodená batéria.	X		
	X		
Skontrolujte, či uvoľňovacie tlačidlá na batérii fungujú správne a riadne zaistia akumulátor vo výrobku.	X		
Skontrolujte, či nabíjačka batérií nie je poškodená, a presvedčte sa, či funguje správne.	X		
Skontrolujte všetky spojky, spoje a káble, či nie sú poškodené a presvedčte sa, či nie sú znečistené.		X	
Skontrolujte spoje medzi batériou a výrobkom a taktiež skontrolujte spojenie medzi batériou a nabíjačkou batérie.			X
Otvory na prietok vzduchu vyčistite mäkkou kefkou (nepoužívajte skrutkovač).	X		
Odstráňte a vyčistite fúkaciu trubicu alebo vysávaciu trubicu.	X		
Vyprázdnite a vyčistite zberný vak. V časti <i>Vyprázdenie zberného vaku na strane 373</i> .	X		
Odstráňte trávu, lístie, nečistoty alebo akýkoľvek nežiaduci materiál z nasávacieho otvoru a krytu nasávania.	X		
Skontrolujte, či nie je rotor ventilátora znečistený a v prípade potreby vyčistite rotor ventilátora tupým, dlhým predmetom.	X		

Kontrola nasávania vzduchu

1. Skontrolujte, či ani na stranách výrobku nie je upchaté nasávanie vzduchu.



2. V prípade potreby výrobok vypnite a vyberte z neho listy alebo nežiaduce predmety.



VAROVANIE: Upchatím nasávania vzduchu sa znižuje kapacita fúkania výrobku a zvyšuje pracovná teplota motora. Keďže sa motor zahreje

na príliš vysokú teplotu, môže to viesť k jeho poruche.

Kontrola batérie a nabíjačky batérií

1. Skontrolujte, či nie je batéria poškodená, napríklad prasknutá.
2. Skontrolujte, či nie je nabíjačka batérií poškodená, napríklad prasknutá.
3. Skontrolujte, či pripájací kábel nabíjačky batérie nie je poškodený a či na ňom nie sú praskliny.

Čistenie výrobku, batérie a nabíjačky batérií

1. Výrobok po použití očistite suchou handričkou.
2. Očistite batériu a nabíjačku batérií čistou handričkou. Vodiace dráhy batérie udržiavajte čisté.
3. Než vložíte batériu do nabíjačky alebo výrobku, skontrolujte, či sú koncovky na batérii a nabíjačke batérií čisté.

Riešenie problémov

Používateľské rozhranie

Používateľské rozhranie	Možné poruchy	Možné riešenie
Bliká červená chybová dióda LED.	Teplotná odchýlka.	Nechajte výrobok vychladnúť.
	Bol odstránený kryt trubice alebo ventilátora.	Zostavte kryt trubice alebo ventilátora.
	Chyba batérie.	Vymeňte alebo nabite batériu.
	Vyžaduje sa servis.	Obráťte sa na servisného predajcu.
Výrobok sa nedá spustiť.	Nečistota na konektoroch batérie.	Očistite vzduchovým kompresorom alebo mäkkou kefou.

Batéria

LED displej	Možné poruchy	Možné riešenie
Bliká zelený indikátor LED.	Nízke napätie batérie.	Nabite batériu.
Bliká LED dióda signalizujúca poruchu.	Teplotná odchýlka.	Batériu používajte v prostredí, v ktorom sa teplota pohybuje od -10°C (14°F) do 40°C (104°F).
	Príliš vysoké napätie.	Uistite sa, že sieťové napätie zodpovedá napätiu výrobku. Pozrite si výkonnový štítok na výrobku.
		Vyberte batériu z nabíjačky batérií.
Rozsvieti sa chybová dióda LED.	V článkoch je príliš veľký rozdiel (1 V).	Obráťte sa na servisného predajcu.

Nabíjačka batérie

Stav	Možné poruchy	Možný postup
Indikátor LED nabíjania svieti načerveno.	Trvalá chyba nabíjačky batérií.	Obráťte sa na predajcu.

Stav	Možné poruchy	Možný postup
Indikátor LED nabíjania bliká nazele- no.	Odchýlka teploty, batéria je príliš stu- dená alebo príliš horúca na použitie alebo nabíjanie.	Nechajte batériu vychladnúť alebo zahriať. Keď má batéria správnu te- plotu, môžete ju znova použiť na nabíjanie. Nabíjačku batérií používaj- te v rozmedzí teploty okolitého pro- stredia od 5 °C (41 °F) do 40 °C (104 °F).
Indikátor LED nabíjania bliká načer- veno.	Chybný akumulátor	Obráťte sa na predajcu.

Preprava, skladovanie a likvidácia

Preprava a uskladnenie

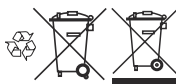
- Dodávané lítium-iónové batérie spĺňajú požiadavky právnych predpisov, ktoré sa týkajú nebezpečného tovaru.
- Dodržiavajte špeciálne požiadavky na balení a štítkoch pri obchodnej preprave. Táto požiadavka platí aj pre tretie strany a prepravcov.
- Pred odoslaním výrobku sa poraďte s osobou s osobitým vzdelaním v oblasti nebezpečných materiálov. Dodržiavajte všetky príslušné vnútroštátne právne predpisy.
- Odhalené kontakty zaistíte páskou pri vkladaní akumulátora do balenia. Batériu v balení pevne zabezpečte, aby sa nemohla posúvať.
- Zariadenie nechajte pred uskladnením vždy vychladnúť.
- Pred skladovaním alebo prepravou batériu vyberte.
- Umiestnite batériu a nabíjačku batérií do suchého priestoru bez výskytu vlhkosti a mrazov.
- Neskladujte batériu na mieste, kde sa môže vyskytovať statická elektrina. Batériu nekladajte do kovovej skrinky.
- Batériu uložte na mieste, kde sa teplota pohybuje v intervale 5 °C (41 °F) až 25 °C (77 °F) a kde je chránená pred priamym slnečným svetlom.
- Nabíjačku batérií uložte na mieste, kde sa teplota pohybuje v intervale 5 °C (41 °F) až 45 °C (113 °F) a kde je chránená pred priamym slnečným svetlom.
- Nabíjačku batérií používajte iba vtedy, keď je teplota okolitého prostredia v rozsahu 5 °C (41 °F) až 40 °C (104 °F).
- Pred dlhodobým skladovaním batériu nabite na 30 – 50 % kapacity.

- Nabíjačku batérií uchovajte na uzavretom a suchom mieste.
- Batériu skladujte mimo nabíjačky batérií. Nedovoľte deťom ani iným nepovolánym osobám, aby sa dotýkali zariadenia. Uchovávajte zariadenia na mieste, ktoré je možné uzamknúť.
- Pred dlhodobým uskladnením výrobok vyčistite a vykonajte kompletný servis.
- Pomocou prepravného krytu na výrobku zamedzte vzniku zranení alebo poškodenia produktu počas prepravy a uskladnenia.
- Pred prepravou výrobok bezpečne upevnite.

Likvidácia batérie, nabíjačky batérií a výrobku

Nižšie uvedený symbol signalizuje, že výrobok nepredstavuje komunálny odpad. Recyklujte ho v recyklačnej stanici určenej pre elektrické a elektronické zariadenia. Napomôže tým zamedziť vzniku poškodeniu životného prostredia a osôb.

Ďalšie informácie vám poskytnú miestne úrady, služba na likvidáciu komunálneho odpadu alebo predajca.



Poznámka: Tento symbol sa nachádza na výrobku alebo na jeho obale.

Technické údaje

Technické údaje

	120iBV
Motor	
Typ motora	BLDC (bezkontaktný) 36V
Hmotnosť	
Hmotnosť bez batérie, kg	4,6
Emisie hluku ⁶¹	
Nameraná hladina akustického výkonu, dB (A)	97
Zaručená úroveň hlučnosti L _{WA} dB(A)	100
Úrovne hlučnosti ⁶²	
Ekvivalentná hladina akustického tlaku pri uchu používateľa meraná podľa normy EN ISO 11203 a ISO 22868 dB(A):	84
Úrovne vibrácií ⁶³	
Hladiny vibrácií na prednej/zadnej rúkoväti merané podľa normy EN ISO 22867, m/s ²	1,4/1,7
Výkon ventilátora	
Prúdenie vzduchu v normálnom režime so štandardnou dýzou, m ³ /min.	6,7
Maximálna rýchlosť vzduchu v normálnom režime pri štandardnej dýze, m/s/mph	50/111

Údaje o hlučnosti a vibráciách vychádzajú z menovitých maximálnych otáčok.

Schválené batérie

Používajte len originálne batérie 40-Burčené pre tento výrobok.

Schválené batérie

Batéria	40-B140
Typ	Lítium-iónová
Kapacita batérie, Ah	4
Menovité napätie, V	36

⁶¹ Hladina hluku meraná ako akustický tlak (L_{WA}) v súlade s európskou smernicou 2000/14/ES. Uvádzaná hladina akustického výkonu stroja bola meraná s originálnym rezacím nastavcom, ktorý produkuje najvyššiu úroveň. Rozdiel medzi zaručeným a nameraným akustickým výkonom spočíva v tom, že zaručený akustický výkon zahŕňa aj rozptyl výsledkov merania a rozdiely medzi jednotlivými strojmi rovnakého modelu v súlade so smernicou 2000/14/ES.

⁶² Uvádzané údaje pre ekvivalentnú hladinu akustického tlaku majú typický štatistický rozptyl (štandardnú odchýlku) 3 dB (A).

⁶³ Uvádzané údaje pre ekvivalentný stupeň vibrácií majú typický štatistický rozptyl (štandardnú odchýlku) 1,5 m/s².

Batéria	40-B140
Hmotnosť, kg	1,25

Schválené nabíjačky akumulátorov

Nabíjačka batérie	40-C80
Sieťové napätie, V	100 – 240
Frekvencia, Hz	50 – 60
Výkon, W	72
Výstupné napätie, V d.c./ Ampérov, A	43/1,6

Vyhlásenie o zhode

Vyhlásenie o zhode EÚ

My, spoločnosť **Husqvarna AB**, SE-561 82 Huskvarna, ŠVÉDSKO, tel.: +46-36-146500, vyhlasujeme s plnou zodpovednosťou, že výrobok:

Popis	Ručný záhradný fúkač/vysávač
Značka	Husqvarna
Typ/model	120iBV
Identifikácia	Výrobné čísla od roku 2022 a novšie

plne spĺňa nasledujúce smernice a nariadenia EÚ:

Nariadenie	Popis
2006/42/ES	„o strojových zariadeniach“
2014/30/EÚ	„o elektromagnetickej kompatibilite“
2011/65/EÚ	„o obmedzení používania určitých nebezpečných látok v elektrických a elektronických zariadeniach“
2000/14/ES	„týkajúca sa emisie hluku v prostredí pochádzajúceho zo zariadení používaných vo voľnom priestranstve“

a že sa pri ňom uplatňujú nasledujúce normy a technické špecifikácie: EN 60335-1:2012+A11+A13+A14+A2+A15, EN 50636-2-100:2014, EN IEC 63000:2018, EN ISO 12100:2010, EN IEC 55014-1:2021; EN IEC 55014-2:2021

V súlade s Prílohou V smernice 2000/14/ES pozri *Technické údaje na strane 377* pre deklarované hodnoty zvuku.

Huskvarna, 2023-01-16



Claes Losdal, manažér pre vývoj a výskum, Husqvarna AB

Zodpovedný za technickú dokumentáciu

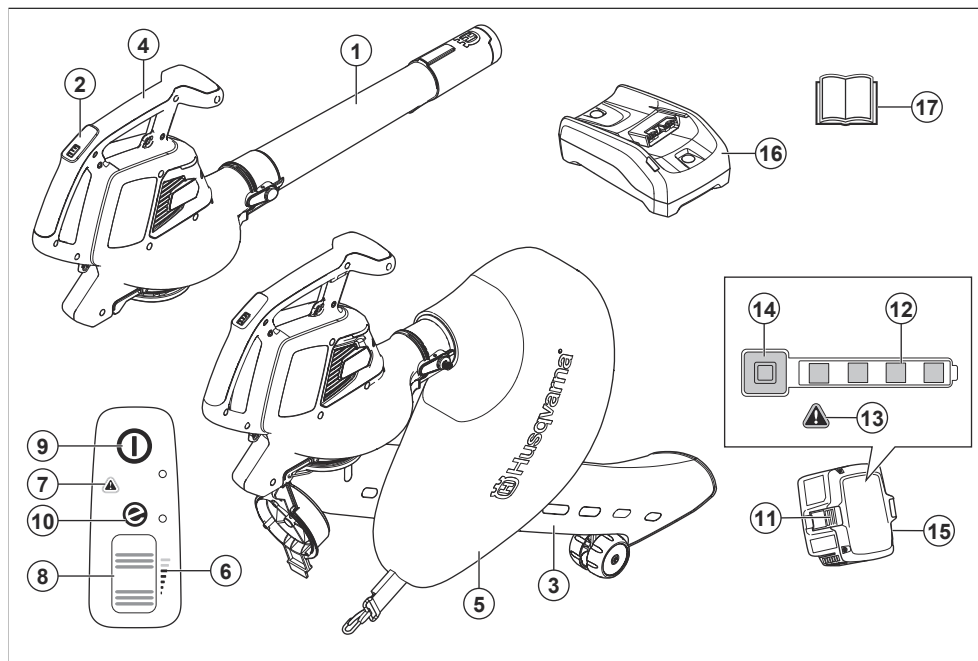


SPIS TREŚCI

Wstęp.....	380	Rozwiązywanie problemów.....	394
Bezpieczeństwo.....	382	Transport, przechowywanie i utylizacja.....	395
Montaż.....	387	Dane techniczne.....	396
Przeznaczenie.....	389	Deklaracja zgodności.....	398
Przegląd.....	392		

Wstęp

Przegląd produktu



1. Rura dmuchawy
2. Klawiatura
3. Rura odkurzacza
4. Uchwyt
5. Worek odkurzacza
6. Wskaźnik przepływu powietrza
7. Kontrolka ostrzegawcza (dioda LED błędu)
8. Pokrętko do ustawiania mocy
9. Przełącznik start/stop
10. Wskaźnik Save
11. Przycisk odłączania akumulatora
12. Stan akumulatora
13. Kontrolka ostrzegawcza (dioda LED błędu)

14. Wskaźnik zasilania i ostrzegawczy
15. Akumulator dołączony wyłącznie do zestawu dmuchawy Husqvarna 120iBV
16. Ładowarka akumulatorów dołączona wyłącznie do zestawu dmuchawy Husqvarna 120iBV
17. Instrukcja obsługi

Opis produktu

Husqvarna 120iBV to dmuchawa/odkurzacz do zastosowań ogrodniczych z silnikiem elektrycznym.

Nieustannie modernizujemy swoje wyroby, w związku z czym zastrzegamy sobie prawo do wprowadzania zmian dotyczących m.in. wyglądu produktów bez uprzedzenia.

Przeznaczenie

Tryb dmuchawy: Dmuchawa jest przeznaczona do zdmuchiwania cząstek brudu lub ściętej trawy z dala od ścieżek, podjazdów, podwórzy itp. Jest ona również przeznaczona do zdmuchiwania ściętej trawy, słomy lub liści w celu tworzenia stosów lub usuwania cząstek brudu z narożników, złącz lub szczelin między płytkami lub cegłami.

Tryb odkurzacza: Odkurzacze jest przeznaczony do zbierania suchego materiału. Obejmuje to liście, trawę, małe gałązki i kawałki papieru.

Symbole znajdujące się na produkcie



OSTRZEŻENIE: Produkt może spowodować poważne obrażenia ciała lub śmierć operatora lub innych osób. Należy zachować ostrożność i prawidłowo korzystać z produktu.



Przed użyciem produktu należy dokładnie i ze zrozumieniem przeczytać instrukcję obsługi.



Stosować atestowane środki ochrony oczu.

V

Napięcie znamionowe, V



Prąd stały.



Etykieta emisji hałasu do środowiska zgodnie z dyrektywami oraz przepisami UE i Wielkiej Brytanii, a także przepisami Nowej Południowej Walii „Protection of the Environment Operations (Noise Control) Regulation 2017”. Gwarantowany poziom mocy akustycznej urządzenia jest określony w *Dane techniczne na stronie 396* oraz na etykiecie.



Przed przystąpieniem do konserwacji odłączyć akumulator.



Tego produktu ani opakowania nie można traktować jak odpadów domowych. Należy poddawać je recyklingowi w zatwierdzonym punkcie zbiórki sprzętu elektrycznego i elektronicznego.



Produkt jest zgodny z odpowiednimi dyrektywami WE.



Ten produkt jest zgodny z przepisami obowiązującymi w Wielkiej Brytanii.



Chronić przed deszczem.



Po wyłączeniu urządzenia poczekać, aż łopatki wirnika zatrzymają się.



Urządzenie należy używać w trybie odkurzacza tylko wtedy, gdy rura jest całkowicie zmontowana.



Użytkownik dmuchawy jest zobowiązany dopilnować, aby żadne osoby postronne ani zwierzęta nie znajdowały się w odległości mniejszej niż 15 m. Wymóg 15-metrowej bezpiecznej odległości ma również zastosowanie w przypadku, gdy kilku operatorów pracuje w tym samym miejscu. Dmuchawa jest w stanie odrzucać z dużą siłą przedmioty, które mogą odbić się z powrotem. Jeżeli nie jest stosowane zalecane wyposażenie ochronne, może to doprowadzić do poważnych urazów oczu.



yyyy wwxxxx

Tabliczka znamionowa zawiera numer seryjny. **yyyy** to rok produkcji, a **ww** oznacza tydzień produkcji.

Uwaga: Pozostałe symbole/naklejki samoprzylepne umieszczone na osprzęcie tnącym dotyczą specjalnych wymogów, związanych z certyfikatami w poszczególnych krajach.

Symbole na akumulatorze i/lub na ładowarce.



Należy poddać urządzenie recyklingowi w punkcie zbiórki sprzętu elektrycznego i elektronicznego. (Dotyczy tylko Europy)



Bezpieczny transformator.



Ładowarkę używać i przechowywać wyłącznie wewnątrz.



Podwójna izolacja.

Producent

Husqvarna AB

Drottninggatan 2, SE-561 82 Huskvarna

Uszkodzenie produktu

Nie odpowiadamy za uszkodzenia naszego produktu, w przypadku gdy:

- produkt jest nieprawidłowo naprawiany.
- produkt jest naprawiany przy użyciu części nie pochodzących od producenta lub niezatwierdzonych przez producenta.
- produkt jest wyposażony w akcesoria nie pochodzące od producenta lub niezatwierdzone przez producenta.
- produkt nie jest naprawiany w autoryzowanym centrum serwisowym lub przez autoryzowaną placówkę.

Bezpieczeństwo

Definicje dotyczące bezpieczeństwa

Ostrzeżenia, uwagi i informacje są używane do zwrócenia uwagi na szczególnie ważne sekcje instrukcji obsługi.



OSTRZEŻENIE: Stosuje się, gdy istnieje ryzyko poważnych obrażeń lub śmierci operatora albo osób postronnych w wyniku nieprzestrzegania instrukcji obsługi.



UWAGA: Stosuje się, gdy istnieje ryzyko uszkodzenia produktu i/lub przystawki, innych materiałów lub otoczenia w wyniku nieprzestrzegania instrukcji obsługi.

Uwaga: Stosuje się, aby przekazać więcej informacji, które są przydatne w danej sytuacji.

Ogólne zasady bezpieczeństwa



OSTRZEŻENIE: Przed rozpoczęciem użytkowania produktu przeczytać następujące ostrzeżenia.

- Uważnie przeczytać instrukcje, aby zapoznać się z elementami sterującymi i prawidłową obsługą urządzenia. W przypadku nieprawidłowego lub nieostrożnego posługiwania się produktem może on okazać się niebezpiecznym narzędziem zdolnym spowodować poważne, a nawet śmiertelne obrażenia użytkownika lub innych osób.
- Pod żadnym pozorem nie wolno zmieniać ani modyfikować fabrycznej konstrukcji urządzenia bez zezwolenia wydanego przez producenta. Nie

wolno używać produktu przerobionego, który został w jakikolwiek sposób zmodyfikowany. Należy także stosować wyłącznie oryginalne akcesoria. Samowolne wprowadzanie zmian oraz/lub montowanie wyposażenia niezatwierdzonego przez producenta może stać się przyczyną groźnych obrażeń lub śmierci obsługującego urządzenie bądź innych osób. Gwarancja może nie obejmować uszkodzeń powstałych w wyniku używania niezatwierdzonych akcesoriów lub części zamiennych.

- Niniejszy produkt podczas pracy wytwarza pole elektromagnetyczne. W pewnych okolicznościach pole to może zakłócać pracę aktywnych lub pasywnych implantów medycznych. Przed przystąpieniem do pracy z produktem, w celu ograniczenia ryzyka poważnych lub śmiertelnych obrażeń, osoby posiadające implanty medyczne powinny skonsultować się z lekarzem oraz ich producentem.
- Podczas ładowania wyjąć akumulator z produktu.

Ogólne ostrzeżenia dotyczące bezpieczeństwa podczas korzystania z narzędzi elektrycznych

Kontrola przed uruchomieniem

- Dokonaj inspekcji obszaru, w którym będziesz pracować. Usuń wszystkie porzucane przedmioty, jak kamienie, szkło, gwoździe, druty, sznurki i inne, które mogą zostać odrzucone przez maszynę.
- Zawsze wyjmuj akumulator, aby zabezpieczyć maszynę przed przypadkowym uruchomieniem, Zawsze odłączaj akumulator przed wykonywaniem jakichkolwiek czynności konserwacyjnych na maszynie.

- Przed użyciem urządzenia i po każdym uderzeniu należy sprawdzić je pod kątem oznak zużycia lub uszkodzeń i w razie potrzeby naprawić.
- Używaj wyłącznie oryginalnych części zamiennych.
- Użytkownik maszyny jest zobowiązany dopilnować, aby podczas pracy żadne osoby postronne ani zwierzęta nie znajdowały się w odległości mniejszej niż 15 m. Jeśli w tym samym miejscu pracuje kilku użytkowników, odległość między nimi powinna wynosić co najmniej 15 m.
- Przed użyciem maszyny należy wykonać jej przegląd ogólny, patrz plan konserwacji.
- Użytkowanie regulują przepisy państwowe lub lokalne. Należy przestrzegać odpowiednich przepisów

Bezpieczeństwo osób

- **Używając narzędzi elektrycznych, należy zachować skupienie, obserwować wykonywane czynności i kierować się zdrowym rozsądkiem. Nie należy używać narzędzi elektrycznych, kiedy użytkownik jest zmęczony lub pod wpływem działania narkotyków, alkoholu lub leków.** Chwila nieuwagi podczas obsługi narzędzia elektrycznego może doprowadzić do poważnych obrażeń.
- Osoby postronne powinny zachować odpowiednią odległość.
- Urządzenie nie może być używane przez osoby (oraz dzieci) o ograniczonych zdolnościach fizycznych, sensorycznych lub umysłowych, lub nie posiadające odpowiedniego doświadczenia i wiedzy, chyba że są pod nadzorem lub zostały poinstruowane na temat użytkowania urządzenia przez osobę odpowiedzialną za ich bezpieczeństwo. Dzieci muszą być pod nadzorem, aby nie mogły bawić się urządzeniem.
- Nie wolno pozwalać dzieciom ani osobom, które nie zapoznały się z niniejszymi instrukcjami obsługi, na obsługiwaniu urządzenia. Przepisy lokalne mogą narzucać ograniczenia dotyczące wieku operatora urządzenia.
- Wszelkie niepowołane osoby powinny znajdować się w odpowiedniej odległości od maszyny. Dzieci, zwierzęta, osoby postronne i pomocnicy powinni znajdować się w odległości co najmniej 15 m. W przypadku zbliżenia się osób trzecich natychmiast wyłącz maszynę.
- Przechowywać urządzenie w miejscu niedostępnym dla dzieci i osób niepowołanych.
- Nie obsługiwać maszyny na brukowanej lub żwirowej powierzchni, gdzie wyrzucony materiał może spowodować obrażenia.
- Podczas obsługi produktu należy zawsze nosić solidne obuwie i spodnie z długimi nogawkami. Nie obsługiwać maszyny boso lub w sandałach. Unikać luźnej odzieży oraz zwisających sznurków lub opasek.
- Nie wolno nosić luźnych ubrań ani biżuterii, które mogą zostać wciągnięte przez otwór wlotowy

urządzenia. Należy zabezpieczyć długie włosy przed wciągnięciem przez wloty powietrza.

- Nie wolno korzystać z urządzenia w stanie przemęczenia, po spożyciu alkoholu lub po przyjęciu leków osłabiających wzrok, zdolności oceny i koordynację.
- Stosować środki ochrony osobistej. Patrz wskazówki podane w punkcie „Środki ochrony osobistej”.
- Zawsze wyjmować akumulator przed przekazaniem maszyny innej osobie.
- Pamiętaj o tym, że operator ponosi odpowiedzialność za narażanie ludzi i ich własności na wypadki lub zagrożenia.

Użytkowanie i konserwacja narzędzia elektrycznego

- Nie wolno pracować urządzeniem przerobionym, które zostało w jakikolwiek sposób zmieniłone. Nigdy nie używać urządzenia w pobliżu materiałów łatwopalnych lub wybuchowych.
- Nie wolno używać maszyny, jeśli jest uszkodzona. Należy stosować się do zaleceń dotyczących bezpieczeństwa, konserwacji i obsługi technicznej podanych w niniejszej instrukcji. Niektóre czynności konserwacyjne i serwisowe muszą być wykonywane przez przeszkolony i wykwalifikowany personel. Patrz wskazówki podane w punkcie Konserwacja.
- Używaj wyłącznie oryginalnych części zamiennych.
- Otwory wentylacyjne muszą być cały czas drożne i wolne od zanieczyszczeń.
- Przed uruchomieniem maszyny należy zamocować wszystkie pokrywy, osłony i uchwyty.
- Użytkuj maszynę tylko przy świetle dziennym lub przy dobrym oświetleniu.
- Maszyny nie wolno nigdy używać podczas złej pogody, na przykład we mgle, w deszczu, w wilgotnych lub mokrych miejscach, przy silnym wietrze, w intensywnym zimnie, podczas burzy itd. Bardzo wysokie temperatury atmosferyczne mogą spowodować przegrzanie maszyny. Praca przy złej pogodzie powoduje zmęczenie i wiąże się z dodatkowymi zagrożeniami, np. śliskie podłoże.
- Jeśli maszyna zacznie drgać w nietypowy sposób, zatrzymaj ją i wymontuj akumulator.
- Należy iść, nie biec.

Instrukcje bezpieczeństwa dotyczące obsługi

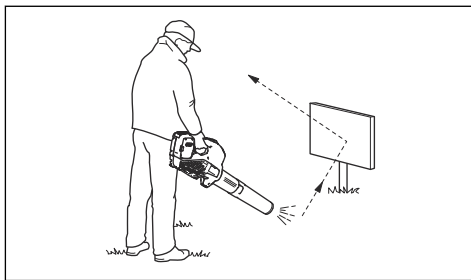


OSTRZEŻENIE: Przed rozpoczęciem użytkowania produktu przeczytać następujące ostrzeżenia.

- Jeżeli użytkownik znajdzie się w sytuacji, w której nie jest pewny prawidłowości dalszego sposobu postępowania, powinien zasięgnąć porady eksperta. Zwrócić się do dealera lub warsztatu obsługi technicznej. Użytkownik nie powinien podejmować

się pracy, gdy uważa, że nie ma wystarczających kwalifikacji.

- Należy zapewnić sobie bezpieczne poruszanie i pozycję przy pracy. Przy poruszaniu się po powierzchni roboczej należy uważać na ewentualne przeszkody (korzenie, gałęzie, doły, rowy itp.). Szczególną ostrożność należy zachować podczas pracy na pochyłym terenie.
- Należy zawsze utrzymywać równowagę i mocne oparcie dla stóp. Nie należy przeceniać swoich możliwości.
- Mając założone ochronniki słuchu należy zawsze być szczególnie uważnym na sygnały i zawołania ostrzegawcze. Ochronniki słuchu należy zdejmować zaraz po wyłączeniu maszyny.
- Nie obsługiwać produktu w pobliżu otwartych okien.
- Okazywać należyny wzgląd ludziom zamieszkującym wokół i nie używać produktu o nieodpowiednich porach, np. późnym wieczorem lub wczesnym ranem. Postępować zgodnie z lokalnie obowiązującymi przepisami i rozporządzeniami.
- Pracować produktem na możliwie najmniejszym ustawieniu przepływu powietrza. Rzadko konieczne jest stosowanie najwyższego przepływu powietrza. Wiele prac można wykonać przy połowie mocy. Im mniejszy przepływ powietrza, tym mniejszy hałas i mniej pyłu. Łatwiej jest także kontrolować zbieranie lub zdmuchiwanie śmieci.
- W warunkach dużego zapylenia należy nieco zwiliżyć powierzchnię produktu.
- Używaj grabi lub miotły w celu sczyszczenia śmieci, które przyłgnęły do podłoża.
- Trzymaj końcówkę rury nadmuchowej możliwie najbliżej ziemi.
- Miej na względzie dobro otoczenia. Nie kierować strumienia powietrza w stronę ludzi zwierząt, miejsc zabaw, samochodów itp.
- W wypadku miejsc zakurzonych należy je lekko zwiliżyć lub korzystać z urządzeń spryskujących.
- Weź pod uwagę aktualny kierunek wiatru. Aby praca przebiegała sprawnie, pracuj zgodnie z wiatrem.
- Należy wyłączyć produkt i wyjąć akumulator, jeżeli urządzenie zaczyna nadmiernie wibrować.
- Stosowanie dmuchawy do przemieszczania dużych stert liści lub śmieci jest mało efektywne i powoduje zbyt duży hałas.
- Posprzątaj po sobie po zakończeniu pracy. Należy zwracać uwagę, aby nie zdmuchiwać śmieci na cudzy teren.
- Nie należy biegać z produktem.
- Silny strumień powietrza jest w stanie zdmuchiwać przedmioty z tak dużą siłą, że mogą one odbić się rykoszetem i spowodować obrażenie oczu.



- Nie kierować strumienia powietrza w stronę ludzi ani zwierząt.
- Przed montażem lub demontażem akcesoriów oraz innych elementów należy wyłączyć silnik.
- Trzymaj wszystkie części ciała z dala od powierzchni gorących.
- Nigdy nie pozostawiać produktu z włączonym silnikiem bez nadzoru.
- Wyłączyć urządzenie i wyjąć akumulator. Upewnij się, że wszystkie ruchome części się zatrzymały:
 - przed oddaleniem się od produktu;
 - przed usunięciem zatorów lub oczyszczeniem zatkanego kanału;
 - przed przystąpieniem do kontroli, czyszczenia lub obsługi produktu.
- Jeśli mechanizm tnący uderzy jakikolwiek obiekt albo urządzenie zacznie emitować nietypowe odgłosy lub drgania, należy natychmiast wyłączyć zasilanie i poczekać, aż urządzenie zatrzyma się całkowicie. Przed ponownym uruchomieniem urządzenia i dalszą pracą odłączyć je od akumulatora i wykonać następujące czynności:
 - sprawdzić pod kątem uszkodzeń;
 - wymienić lub naprawić uszkodzone części;
 - sprawdzić i dokręcić luźne części.
- Wyłączyć zasilanie i odłączyć urządzenie od akumulatora przed przystąpieniem do usuwania niepożądanych materiałów w przypadku zatkania urządzenia.
- Nie transportować produktu podłączonego do zasilania.
- Nie przechylać urządzenia podłączonego do zasilania.

- Dmchawy nie wolno używać stojąc na drabinie lub rusztowaniu.



- Nigdy nie używać produktu, jeśli nie ma możliwości wezwania pomocy w razie wypadku.
- Należy uważać na odrzucane przedmioty. Odrzucane przez urządzenie kamienie lub odłamki mogą trafić w oczy, powodując utratę wzroku lub inne poważne obrażenia.
- Dla zwiększenia bezpieczeństwa podczas ładowania urządzenia należy stosować wyłącznik różnicowoprądowy (RCD). Wyłącznik różnicowoprądowy jest zainstalowany, aby chronić operatorów w przypadku wystąpienia awarii elektrycznej.
- Produkt ten jest znany ze swojego niskiego poziomu wibracji. Nadmierne wibracje mogą spowodować uszkodzenia naczyń krwionośnych lub nerwów u osób mających problemy z krążeniem. Zgłosić się do lekarza, jeżeli wystąpią objawy fizyczne, które mogą być związane z nadmiernymi wibracjami. Przykładami takich objawów są drętwienie, brak czucia, „łaskotanie”, „kucie”, ból, całkowita lub częściowa utrata siły, zmiany koloru skóry lub naskórka. Objawy te występują najczęściej w palcach, dłoniach lub nadgarstkach.
- Używać urządzenia tylko zgodnie z jego przeznaczeniem.
- Nie jest możliwe omówienie wszystkich sytuacji, w jakich potencjalnie możesz się znaleźć. Należy zachowywać zawsze ostrożność i kierować się zdrowym rozsądkiem. Użytkownik nie powinien podejmować się prac, jeżeli uważa, że przekracza ją one jego kwalifikacje. Jeżeli po przeczytaniu niniejszej instrukcji użytkownik nadal nie ma pewności co do sposobów postępowania, nie powinien on kontynuować pracy, zanim nie zwróci się o poradę do eksperta.

Środki ochrony osobistej

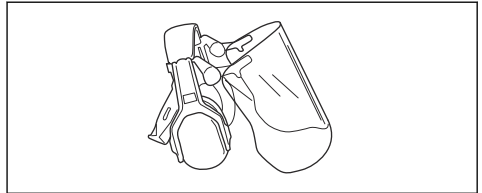


OSTRZEŻENIE: Przed rozpoczęciem użytkowania produktu przeczytać następujące ostrzeżenia.

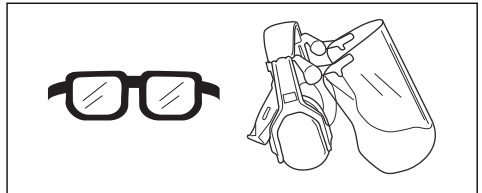
- Podczas używania produktu zawsze nosić na sobie zatwierdzone środki ochrony osobistej. Środki ochrony osobistej nie eliminują ryzyka odniesienia obrażeń, ograniczają natomiast ich rozmiar w razie

zaistnienia wypadku. Skorzystać z pomocy dealera przy wyborze odpowiedniego sprzętu.

- Długotrwałe przebywanie w hałasie może doprowadzić do uszkodzenia słuchu. Generalnie produkty zasilane akumulatorem są stosunkowo ciche, ale połączenie poziomu hałasu i długiego użytkowania może przynieść szkody. Firma zaleca, aby operatorzy stosowali ochronniki słuchu podczas używania produktów przez dłuższy czas w ciągu dnia. Operatorzy korzystający z urządzenia w sposób ciągły i regularny powinni regularnie sprawdzać słuch. Należy zwrócić uwagę, że ochronniki słuchu ograniczają możliwość słyszenia dźwięków i sygnałów ostrzegawczych.



- Stosować atestowane środki ochrony oczu. Używając maski ochronnej twarzy, nosić także zatwierdzone okulary ochronne. Za zatwierdzone okulary ochronne uważane są takie, które są zgodne z normami ANSI Z87.1 dla USA lub EN 166 dla krajów UE.



- Nosić odzież wykonaną z mocnego materiału. Nosić odzież z długimi nogawkami i długimi rękawami, wykonaną z mocnego materiału. Luźne części odzieży mogą zahaczyć o krzewy lub gałęzie. Nie nosić biżuterii, krótkich spodni ani sandałów i nie pracować z odsłoniętymi stopami. Związywać włosy w sposób bezpieczny powyżej poziomu barków.
- Zawsze mieć pod ręką apteczkę pierwszej pomocy.



- Ponieważ istnieje ryzyko powstawania kurzu, należy stosować środki ochrony dróg oddechowych. Apteczka pierwszej pomocy powinna znajdować się zawsze w pobliżu.

Zespoły zabezpieczające na produkcji

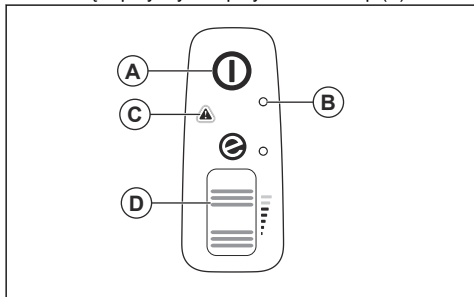


OSTRZEŻENIE: Przed rozpoczęciem użytkowania produktu przeczytać następujące ostrzeżenia.

- W tym rozdziale opisano funkcje bezpieczeństwa produktu, jego przeznaczenie oraz sposób przeprowadzania czynności kontrolnych i konserwacji, aby zapewnić jego poprawne działanie. Patrz wskazówki podane w punkcie *Przegląd produktu na stronie 380*, aby sprawdzić, gdzie te części są zlokalizowane w Twoim produkcie.
- Jeżeli urządzenie nie jest prawidłowo konserwowane i nie jest poddawane profesjonalnie wykonywanym naprawom i/lub obsłudze technicznej, skraca się jego żywotność i zwiększa ryzyko wypadu. Aby uzyskać dodatkowe informacje, należy skontaktować się z najbliższym punktem serwisowym.
- Nie wolno używać produktu, którego elementy zabezpieczające są uszkodzone. Elementy zabezpieczające produktu należy kontrolować i konserwować zgodnie z opisem w niniejszym rozdziale. Jeżeli Twój produkt nie spełnia któregokolwiek z warunków kontrolnych, skontaktuj się z przedstawicielem serwisu w celu dokonania naprawy.
- Wszelkie czynności obsługowe i naprawy produktu wymagają specjalnego przeszkolenia. Szczególnie dotyczy to elementów zabezpieczających produktu. Jeżeli produkt nie spełnia jakiegokolwiek z niżej wymienionych warunków kontrolnych, należy go oddać do warsztatu obsługi technicznej. Kupując nasze produkty, zyskujesz także gwarancję profesjonalnej obsługi i napraw. Jeżeli w miejscu zakupu nie jest prowadzona obsługa serwisowa, można zapytać o adres najbliższego warsztatu obsługi technicznej.

Sprawdzenie klawiatury

- Wcisnąć i przytrzymać przycisk start/stop (A).



- Urządzenie jest włączone, gdy świeci się kontrolka LED (B).
- Urządzenie jest wyłączone, gdy kontrolka LED (B) nie świeci.

- Patrz *Interfejs użytkownika na stronie 394* jeśli świeci się lub miga wskaźnik ostrzegawczy (C).
- Nacisnąć i zwolnić pokrętko do ustawiania mocy (D), aby upewnić się, że porusza się swobodnie.

Zasady bezpieczeństwa związane z akumulatorem



OSTRZEŻENIE: Przed rozpoczęciem użytkowania produktu przeczytać następujące ostrzeżenia.

- Należy używać wyłącznie akumulatorów z serii 40-B zalecanych do posiadanego urządzenia. Patrz *Zatwierdzone akumulatory na stronie 396*. Akumulatory są zabezpieczone szyfrem programowym.
- Jako źródła zasilania do powiązanych produktów Husqvarna należy używać wyłącznie akumulatorów z serii 40-B. Aby uniknąć obrażeń, nie należy używać akumulatora jako źródła zasilania innych produktów.
- Ryzyko porażenia prądem. Nie zwierać zacisków akumulatora kluczami, śrubami ani innymi metalowymi przedmiotami. Może to spowodować zwarcie akumulatora.
- Nie wolno używać akumulatorów, których nie można ładować.
- Nie wkładać żadnych przedmiotów do szczelin powietrznych akumulatora.
- Chronić akumulator przed bezpośrednim działaniem promieni słonecznych, wysoką temperaturą i otwartym płomieniem. Akumulator może spowodować oparzenia i/lub oparzenia chemiczne.
- Akumulator należy chronić przed deszczem i wodą.
- Akumulator należy chronić przed działaniem mikrofal i wysokiego ciśnienia.
- Nie próbować rozbiierać ani rozbijać akumulatora.
- Akumulator można używać w zakresie temperatur od -10 °C (14 °F) do 40 °C (104 °F).
- Do czyszczenia akumulatora i ładowarki nie należy używać wody. Patrz *Czyszczenie produktu, akumulatora i ładowarki na stronie 393*.
- Nie należy używać wadliwego ani uszkodzonego akumulatora.
- Przechowywać akumulatory z dala od metalowych przedmiotów, takich jak gwoździe, śruby czy biżuteria.
- Przechowywać akumulator z dala od dzieci.

Zasady bezpieczeństwa w czasie obsługi ładowarki



OSTRZEŻENIE: Przed rozpoczęciem użytkowania produktu przeczytać następujące ostrzeżenia.

- Nieprzestrzeganie zasad bezpieczeństwa stwarza ryzyko porażenia prądem lub wystąpienia zwarcia.
- Nie używać innych ładowarek do akumulatorów niż te dostarczone dla danego produktu. Należy używać wyłącznie ładowarek 40-C80 do ładowania akumulatorów zastępczych Husqvarna 40-B140. Patrz *Zatwierdzone ładowarki na stronie 397* oraz *Zatwierdzone akumulatory na stronie 396*.
- Nie należy podejmować prób rozmontowania ładowarki.
- Nie należy używać wadliwej lub uszkodzonej ładowarki do akumulatora.
- Nie podnosić ładowarki do akumulatora za przewód zasilający. Aby odłączyć ładowarkę do akumulatora od gniazda, wyciągnąć wtyczkę. Nie ciągnąć za przewód.
- Należy chronić wszystkie przewody i przedłużacze przed działaniem wody, olejów oraz przedmiotów o ostrych krawędziach. Uważać także, aby przewód nie został zakleszczony między obiektami np. drzwiami, furtkami lub innymi.
- Nie używać ładowarki do akumulatora w pobliżu łatwopalnych materiałów lub materiałów, które mogą powodować korozję. Upewnić się, że ładowarka nie jest przykryta. W razie zauważenia dymu lub ognia należy odłączyć ładowarkę od źródła zasilania.
- Należy ładować akumulator wyłącznie wewnątrz budynku, w miejscu z dobrym przepływem powietrza i z dala od światła słonecznego. Nie należy ładować akumulatora na zewnątrz pomieszczeń. Nie ładować akumulatora w wilgotnym otoczeniu.
- Ładowarkę można użytkować w zakresie temperatur od 5°C (41°F) do 40°C (104°F). Ładowarki należy używać w suchym, dobrze wentylowanym i wolnym od pyłów środowisku.
- Nie wkładać żadnych przedmiotów do szczeliny wentylacyjnych ładowarki.
- Styków ładowarki nie należy zwierać metalowymi przedmiotami, gdyż może to wywołać zwarcie.
- Należy używać zatwierdzonych gniazd głównych, które nie są uszkodzone. Upewnić się, że przewód

ładowarki nie jest uszkodzony. Jeżeli używane są przedłużacze, upewnić się, że nie są one uszkodzone.

Instrukcje bezpieczeństwa dotyczące konserwacji



OSTRZEŻENIE: Przed rozpoczęciem prac konserwacyjnych przy urządzeniu przeczytać poniższe ostrzeżenia.

- Po zatrzymaniu urządzenia w celu serwisowania, sprawdzenia, przechowywania lub wymiany akcesoriów przed przystąpieniem do tych czynności należy poczekać, aż urządzenie ostygnie. Urządzenie należy dokładanie konserwować i utrzymywać w czystości.
- Wyjąć akumulator przed rozpoczęciem prac konserwacyjnych, innych przeglądów lub montażu produktu.
- Użytkownikowi wolno wykonywać tylko te czynności konserwacyjne i serwisowe, które są wskazane w niniejszej instrukcji obsługi. W przypadku czynności konserwacyjnych i serwisowych o szerszym zakresie należy zwrócić się do autoryzowanego centrum serwisowego.
- Wszystkie nakrętki i śruby powinny być zawsze dokręcone, aby zapewnić odpowiedni stan techniczny urządzenia.
- Wymienić zużyte lub uszkodzone naklejki.
- Zaniechanie czynności konserwacyjnych skróci cykl życia produktu i zwiększy ryzyko wypadków.
- Dla wszystkich prac serwisowych i naprawczych, zwłaszcza dla urządzeń zabezpieczających na produkcie, konieczne jest specjalne przeszkolenie. Jeśli nie wszystkie opisane w niniejszej instrukcji obsługi kontrole zakończą się pomyślnie po wykonaniu konserwacji, należy zwrócić się do autoryzowanego serwisu. Gwarantujemy profesjonalne naprawy i serwisowanie produktu.
- Używać wyłącznie oryginalnych części zamiennych.

Montaż

Tryb dmuchawy

zmontować rurę dmuchawy i pokrywę wlotu powietrza.



OSTRZEŻENIE:

Może dojść do zranienia przez obracające się łopatki wirnika lub po przypadkowym uruchomieniu urządzenia. Przed przystąpieniem do montażu urządzenia należy wyjąć akumulator i poczekać, aż łopatki wirnika zatrzymają się.

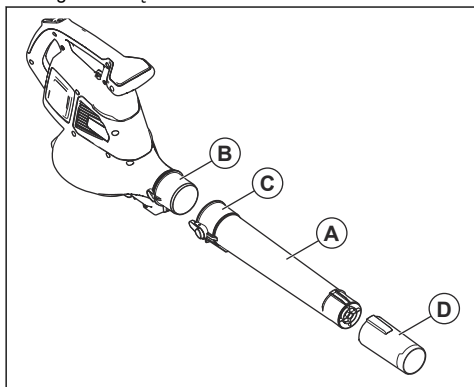
Montaż rury dmuchawy

Uwaga: Jeśli rura dmuchawy nie jest prawidłowo zamontowana, przełącznik bezpieczeństwa uniemożliwi uruchomienie dmuchawy.



OSTRZEŻENIE: Przed przystąpieniem do obsługi urządzenia w trybie dmuchawy należy całkowicie

1. Całkowicie wcisnąć rurę dmuchawy (A) w wylot dmuchawy (B). O załączeniu blokady (C) śwadczy odgłos kliknięcia.

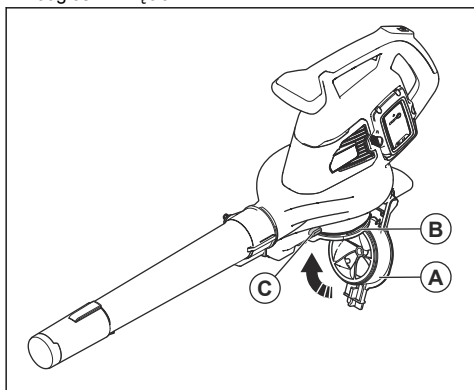


2. Zamontować dyszę dmuchawy (D) na rurze dmuchawy. O zablokowaniu dyszy dmuchawy we właściwym położeniu śwadczy odgłos kliknięcia.

Montaż pokrywy wlotu powietrza

Uwaga: Jeśli pokrywa wlotu powietrza nie jest prawidłowo zamontowana, przełącznik bezpieczeństwa uniemożliwi uruchomienie dmuchawy.

- Zamknąć pokrywę wlotu powietrza (A) na wlocie dmuchawy (B). O załączeniu blokady (C) śwadczy odgłos kliknięcia.



Tryb odkurzacza



OSTRZEŻENIE: Przed przystąpieniem do obsługi urządzenia w trybie odkurzacza należy całkowicie zmontować rurę odkurzacza i worek odkurzacza.

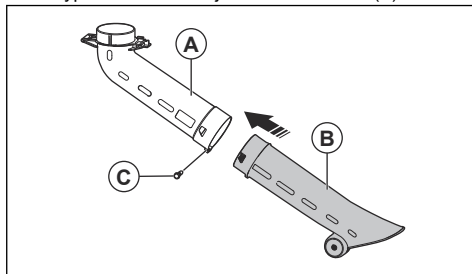
Montaż rury odkurzacza



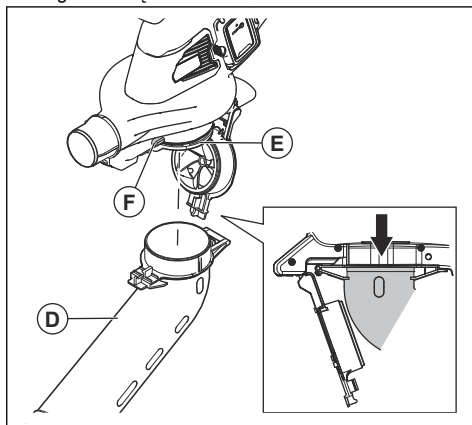
OSTRZEŻENIE: Przed uruchomieniem urządzenia należy zmontować górną i dolną rurę odkurzacza.

Uwaga: Jeśli rura odkurzacza nie jest prawidłowo zamontowana, przełącznik bezpieczeństwa uniemożliwi uruchomienie odkurzacza.

1. Wyrównać wycięcia na górnej rurze odkurzacza (A) z wypustkami na dolnej rurze odkurzacza (B).



2. Wcisnąć dolną rurę odkurzacza do górnej rury odkurzacza aż do usłyszenia kliknięcia.
3. Dokręcić śrubę (C).
4. Zamontować rurę odkurzacza (D) na wlocie odkurzacza (E). O załączeniu blokady (F) śwadczy odgłos kliknięcia.



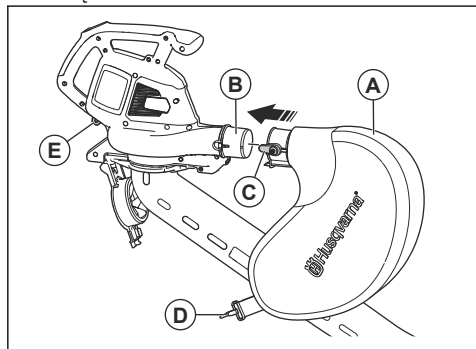
Montaż worka

Uwaga: Jeśli worek odkurzacza nie zostanie prawidłowo zamontowany, wyłącznik bezpieczeństwa zatrzyma procedurę uruchamiania urządzenia.

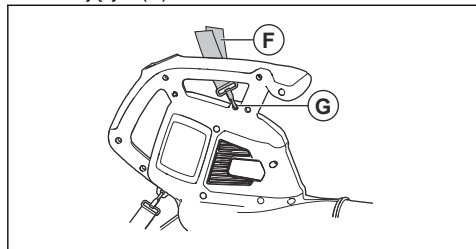


OSTRZEŻENIE: Wyłączyć urządzenie przed zamocowaniem lub odłączeniem worka.

1. Wymontować rurę dmuchawy, jeśli jest zamontowana w urządzeniu.
2. Założyć worek odkurzacza (A) na wylot odkurzacza (B). O załączeniu blokady (C) świadczy odgłos kliknięcia.



3. Połączyć pasek worka odkurzacza (D) z elementem ustalającym (E).
4. Połączyć pas naramienny (F) z elementem ustalającym (G).



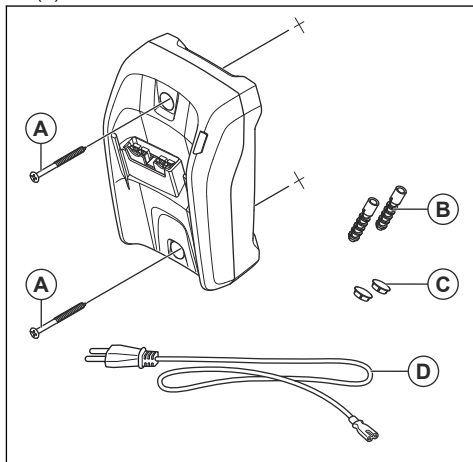
5. Upewnić się, że worek odkurzacza jest całkowicie zamknięty.

Montaż ładowarki na ścianie



UWAGA: Do montażu ładowarki na ścianie nie należy używać śrubokręta elektrycznego. Śrubokręt elektryczny może spowodować uszkodzenie ładowarki.

1. Zamontować ładowarkę na ścianie za pomocą 2 śrub (A). W razie potrzeby użyć kołków rozporowych (B).



2. Zamocować 2 zaślepki do otworów na śruby (C).
3. Podłączyć przewód zasilający (D) do ładowarki i gniazda zasilania.

Przeznaczenie

Wstęp



OSTRZEŻENIE: Przed użyciem produktu należy zapoznać się z rozdziałem dotyczącym bezpieczeństwa.

Wykonanie kontroli funkcjonalnej przed użyciem produktu

1. Sprawdzić wlot powietrza pod kątem występowania zabrudzeń i pęknięć. Użyć szczoteczki i wyczyścić produkt z trawy i liści.
2. Upewnić się, że produkt działa prawidłowo.
3. Sprawdzić wszystkie nakrętki i śruby oraz upewnić się, że są one dokręcone.

Akumulator

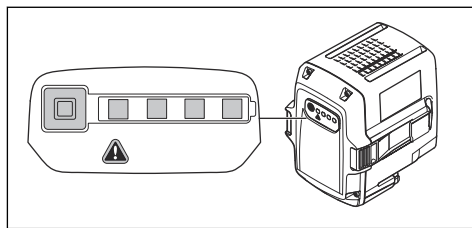


OSTRZEŻENIE: Przed użyciem akumulatora należy zapoznać się z rozdziałem dotyczącym bezpieczeństwa. Należy również przeczytać uważnie instrukcję obsługi dołączonej do akumulatora i ładowarki.

Zapewnić akumulatorowi i ładowarce prawidłową temperaturę otoczenia.

	Temperatura otoczenia
Działanie akumulatora	5°C-40°C / 41°F-104°F

	Temperatura otoczenia
Ładowanie akumulatora	5°C-40°C / 41°F-104°F



Stan akumulatora

Na wyświetlaczu pokazywane są informacje o stanie naładowania akumulatora oraz ewentualne problemy.

Wskaźnik diodowy	Poziom naładowania akumulatora
Świecą się 4 diody LED	Poziom naładowania akumulatora wynosi 76–100%.
Świecą się 3 diody LED	Poziom naładowania akumulatora wynosi 51–75%.
Świecą się 2 diody LED	Poziom naładowania akumulatora wynosi 26–50%.
Świeci się 1 dioda LED	Poziom naładowania akumulatora wynosi 6–25%.
Miga 1 dioda LED	Poziom naładowania akumulatora wynosi 0–5%.

Ładowanie akumulatora

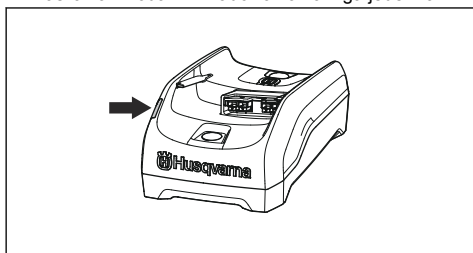
Akumulator należy naładować przed pierwszym użyciem. Nowy akumulator jest naładowany jedynie w 30%.



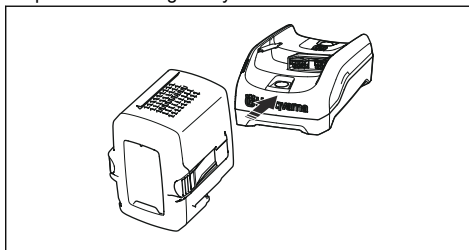
UWAGA: Ładownicę należy podłączyć do gniazda zasilania o napięciu i częstotliwości zgodnymi z tabliczką znamionową.

Akumulator nie będzie się ładować, jeżeli jego temperatura przekroczy 50°C/122°F.

1. Podłączyć przewód zasilający do ładowarki.
2. Podłączyć ładowarkę do uziemionego gniazda zasilania. Dioda LED ładowania zamiga jeden raz.



3. Podłączyć akumulator do ładowarki. Zaświeci się dioda LED ładowania. Akumulator można ładować przez maks. 24 godziny.



4. Nacisnąć przycisk wskaźnika akumulatora. Jeśli zaświecą się wszystkie wskaźniki LED, akumulator jest w pełni naładowany.
5. Wyciągnąć wtyczkę przewodu zasilającego z gniazda, aby odłączyć ładowarkę od zasilania. Nie ciągnąć za przewód.
6. Akumulator należy wyjąć z ładowarki.

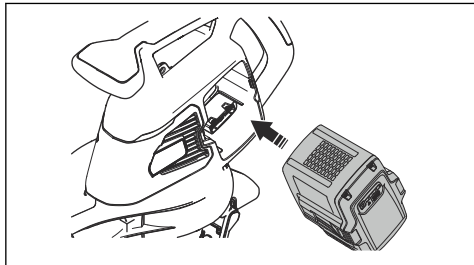
Podłączenie akumulatora do produktu



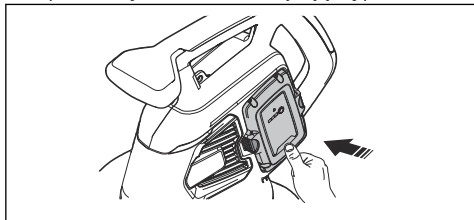
OSTRZEŻENIE: Należy używać wyłącznie oryginalnych akumulatorów Husqvarna w urządzeniu.

1. Należy sprawdzić, czy akumulator jest w pełni naładowany.

2. Wsunąć akumulator do uchwytu akumulatora produktu. Akumulator musi łatwo się przesuwać. Jeżeli tak się nie dzieje, oznacza to, że nie został prawidłowo włożony.

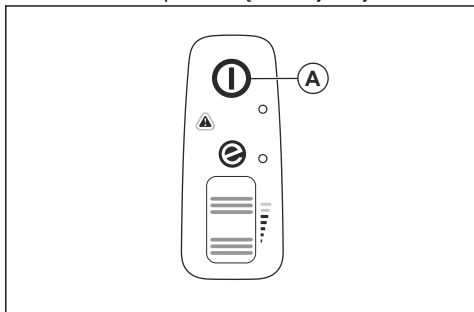


3. Nacisnąć dolną część akumulatora i wcisnąć go do oporu do komory akumulatora. Po usłyszeniu kliknięcia akumulator zablokuje się na miejscu.
4. Upewnić się, że zatrzaski zamykają się prawidłowo.

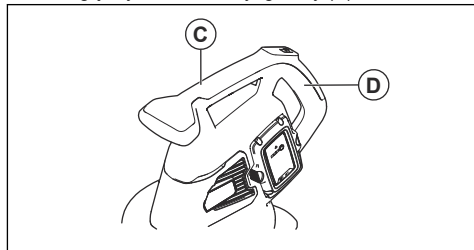


Uruchamianie produktu

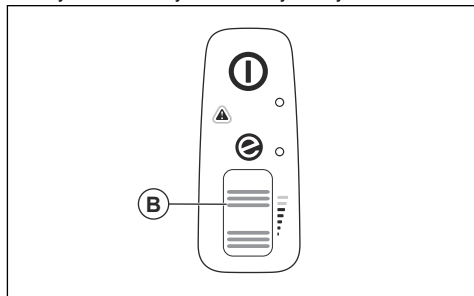
1. Nacisnąć i przytrzymać przycisk START/STOP (A) do momentu zapalenia się zielonej diody LED.



2. Przytrzymać uchwyt pomocniczy (C) jedną ręką, a drugą trzymać za uchwyt główny (D).

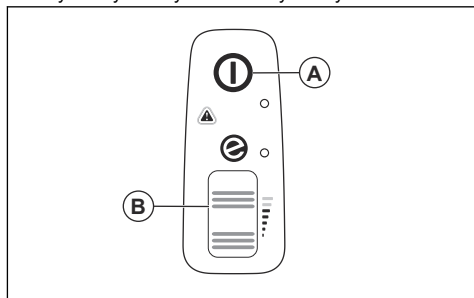


3. Przesunąć pokrętko do ustawiania mocy (B) w górę, aby uruchomić tryb dmuchawy lub tryb odkurzacza.



Wyłączanie produktu

1. Przesunąć pokrętko do ustawiania mocy (B) w dół, aby zatrzymać tryb dmuchawy lub tryb odkurzacza.

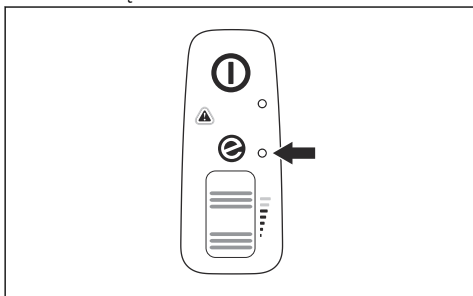


2. Nacisnąć i przytrzymać przycisk START/STOP (A) do momentu wyłączenia się zielonej kontrolki LED.

Tryb ECO

Tryb ECO wydłuża żywotność akumulatora.

- Przesunąć pokrętkę do ustawiania mocy w dół, aby uruchomić tryb ECO. Po uruchomieniu trybu ECO zaświeci się dioda LED.



- Przesunąć pokrętkę do ustawiania mocy w górę, aby uruchomić normalny tryb. Po uruchomieniu normalnego trybu dioda LED zgaśnie.

1. Zatrzymać urządzenie.
2. Zdjąć worek odkurzacza.
3. Obrócić wewnętrzną stronę worka odkurzacza i opróżnić go z zebranych przedmiotów.
4. Przemyc worek odkurzacza wodą z węża.
5. Pozostawić worek do wyschnięcia.
6. Zamontować worek odkurzacza.

Funkcja automatycznego wyłączenia

Produkt ma funkcję automatycznego wyłączenia, która go zatrzymuje, gdy nie jest on używany. Urządzenie wyłącza się po 1 minucie.

Opróżnianie worka odkurzacza



OSTRZEŻENIE:

Ostre przedmioty mogą spowodować obrażenia ciała. Nie wkładać rąk do worka odkurzacza podczas jego opróżniania.

Przegląd

Wstęp



OSTRZEŻENIE: Przed rozpoczęciem prac konserwacyjnych należy przeczytać ze zrozumieniem rozdział poświęcony bezpieczeństwu.

Plan konserwacji



OSTRZEŻENIE: Wyjąć akumulator przed przystąpieniem do konserwacji.

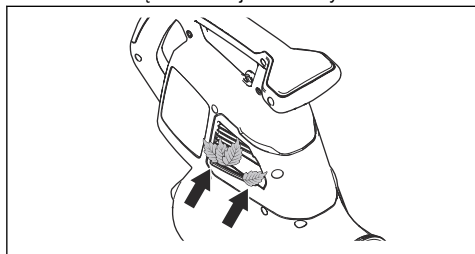
Poniżej zamieszczono listę czynności konserwacyjnych, które należy wykonywać przy produkcji.

Konserwacja	Codziennie	Co tydzień	Co miesiąc
Oczyszczyć zewnętrzną powierzchnię czystą i suchą ściereczką. Nie należy stosować wody.	X		
Utrzymywać uchwyty w stanie suchym, czystym oraz wolnym od smaru i oleju.	X		
Upewnić się, że przycisk START/STOP działa prawidłowo i nie jest uszkodzony.	X		
Upewnić się, że pokrętkę do ustawiania mocy działa prawidłowo pod względem bezpieczeństwa.	X		
Sprawdzić, czy nakrętki i śruby są dokręcone.	X		
Sprawdzić akumulator pod kątem uszkodzeń.	X		
	X		
Sprawdzić, czy przycisk zwalnający akumulator działa prawidłowo oraz czy blokuje się on na miejscu w urządzeniu.	X		
Sprawdzić, czy ładowarka nie jest uszkodzona oraz czy działa prawidłowo.	X		

Konserwacja	Codzienne	Co tydzień	Co miesiąc
Sprawdzić wszystkie złącza, połączenia i przewody pod kątem uszkodzeń i upewnić się, że są czyste.		X	
Sprawdzić połączenia pomiędzy akumulatorem a urządzeniem, jak również połączenia pomiędzy akumulatorem a ładowarką.			X
Do czyszczenia otworów wentylacyjnych używać miękkiej szczotki (nie używać śrubokręta).	X		
Wymontować i oczyścić rurę dmuchawy lub rurę odkurzacza.	X		
Opróżnić i oczyścić worek odkurzacza. Patrz <i>Opróżnianie worka odkurzacza na stronie 392</i> .	X		
Usunąć trawę, liście, brud lub wszelkie niepożądane materiały z otworu wlotowego i pokrywy wlotu powietrza.	X		
Sprawdzić wirnik wentylatora pod kątem zanieczyszczeń i w razie potrzeby oczyścić go tępym, długim przedmiotem.	X		

Sprawdzanie wlotu powietrza

1. Należy upewnić się, że wlot powietrza po obu stronach urządzenia nie jest zatkany.



2. W razie potrzeby należy zatrzymać produkt i usunąć liście oraz inne zanieczyszczenia.



UWAGA: Zatkany wlot powietrza zmniejsza wydajność dmuchawy oraz powoduje zwiększenie temperatury

silnika. Zbytne rozgrzanie silnika może doprowadzić do jego uszkodzenia.

Sprawdzanie akumulatora i ładowarki

1. Sprawdzić akumulator pod kątem uszkodzeń, na przykład pęknięć.
2. Sprawdzić ładowarkę pod kątem uszkodzeń, na przykład pęknięć.
3. Należy regularnie sprawdzać, czy przewód połączeniowy ładowarki akumulatora nie jest uszkodzony ani popękany.

Czyszczenie produktu, akumulatora i ładowarki

1. Po użyciu wyczyścić produkt za pomocą suchej szmatki.
2. Wyczyścić akumulator i ładowarkę suchą szmatką. Akumulator i zaciski należy utrzymywać w czystości.
3. Upewnić się, że styki akumulatora i ładowarki są czyste przed umieszczeniem akumulatora w ładowarce lub w produkcie.

Rozwiązywanie problemów

Interfejs użytkownika

Interfejs użytkownika	Możliwe usterki	Możliwe rozwiązanie
Miga czerwona dioda LED błędu.	Odchylenia temperatury.	Pozwolić, aby urządzenie ostygło.
	Zdjęta rura lub pokrywa wentylatora.	Zamontować rurę lub pokrywę wentylatora.
	Błąd akumulatora.	Wymienić akumulator lub naładować go.
	Wymagany serwis.	Należy zwrócić się do punktu serwisowego.
Produkt nie uruchamia się.	Zabrudzone złącza baterii.	Wyczyścić strumieniem sprężonego powietrza lub miękką szczotką.

Akumulator

Wyświetlacz LED	Możliwe usterki	Możliwe rozwiązanie
Miga zielona dioda LED.	Niskie napięcie akumulatora.	Naładować akumulator.
Miga dioda LED błędu.	Odchylenia temperatury.	Akumulator można używać w zakresie temperatur od -10°C (14°F) do 40°C (104°F).
	Zbyt wysokie napięcie.	Upewnić się, że napięcie sieciowe jest zgodne z wartością podaną na produkcie. Patrz tabliczka znamionowa na produkcie.
		Akumulator należy wyjąć z ładowarki.
Zapala się dioda LED błędu.	Zbyt wysoka różnica między ogniwami (1V).	Należy zwrócić się do punktu serwisowego.

Ładowarka

Stan	Możliwe usterki	Możliwe działania
Dioda LED ładowania świeci się na czerwono.	Trwała usterka ładowarki akumulatora.	Należy skontaktować się z dealerem.

Stan	Możliwe usterki	Możliwe działania
Kontrolka LED stanu ładowania miga na zielono.	Odczylenia temperatury; akumulator jest zbyt zimny lub zbyt gorący do użytku lub ładowania.	Odczekać, aż akumulator ostygnie, lub ogrzać go. Gdy akumulator odzyska właściwą temperaturę, będzie mógł być ponownie użytkowany lub ładowany. Ładowarkę można użytkować w zakresie temperatur 5–40°C (41–104°F).
Kontrolka LED stanu ładowania miga na czerwono.	Niesprawny akumulator.	Należy skontaktować się z dealerem.

Transport, przechowywanie i utylizacja

Transport i przechowywanie

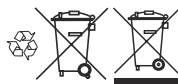
- Dołączone akumulatory litowo-jonowe są zgodne z przepisami dotyczącymi towarów niebezpiecznych.
- Należy przestrzegać specjalnych zaleceń podanych na opakowaniu i etykietach, dotyczących transportu komercyjnego, w tym także usług transportowych świadczonych przez strony trzecie i spedytorów.
- Przed wysłaniem produktu należy porozmawiać z osobą przeszkoloną w zakresie materiałów niebezpiecznych. Przestrzegać wszystkich przepisów krajowych, które mają zastosowanie.
- Podczas umieszczania akumulatora w opakowaniu zabezpieczyć otwarte zaciski taśmą. Zapakować akumulator w taki sposób, aby ściśle przylegał do opakowania, co zapobiegnie jego przemieszczaniu.
- Przed odstawieniem produktu do przechowywania należy poczekać, aż ostygnie.
- Wyjmować akumulator na czas przechowywania lub transportu.
- Przechowywać akumulator i ładowarkę w miejscu suchym i wolnym od wilgoci oraz nienarażonym na mróz.
- Nie przechowywać akumulatora w miejscu, gdzie może występować prąd statyczny.
- Nie przechowywać akumulatora w metalowym pojemniku.
- Przechowywać akumulator w miejscu, w którym temperatura wynosi od 5°C do 25°C, z dala od bezpośredniego działania promieni słonecznych.
- Przechowywać ładowarkę w miejscu, w którym temperatura wynosi od 5°C do 45°C, z dala od bezpośredniego działania promieni słonecznych.
- Ładowarkę należy użytkować w zakresie temperatur od 5°C do 40°C.
- Naładować akumulator od 30% do 50% przed dłuższym okresem jego przechowywania.

- Przechowywać ładowarkę w zamkniętym i suchym miejscu.
- Przechowywać akumulator z dala od ładowarki. Nie wolno pozwalać dzieciom ani innym osobom postronnym na dotykane sprzętu. Przechowywać sprzęt w miejscu, które można zamknąć.
- Przed odstawieniem urządzenia na dłuższe przechowywanie należy je wyczyścić oraz przeprowadzić pełny przegląd.
- Użyć osłony transportowej na produkcie, aby zapobiec obrażeniom lub uszkodzeniu urządzenia podczas transportu i przechowywania.
- Przymocować bezpiecznie produkt podczas transportu.

Usuwanie akumulatora, ładowarki i produktu

Poniższy symbol oznacza, że produkt nie stanowi odpadu gospodarczego. Należy poddawać je recyklingowi w zatwierdzonym punkcie zbiórki sprzętu elektrycznego i elektronicznego. Pomaga to chronić środowisko i ludzi.

W celu uzyskania dodatkowych informacji należy skonsultować się z władzami lokalnymi, przedsiębiorstwem gospodarki komunalnej albo punktem sprzedaży.



Uwaga: symbol widoczny jest na urządzeniu lub opakowaniu produktu.

Dane techniczne

Dane techniczne

	120iBV
Silnik	
Typ silnika	BLDC (bezszcotkowy) 36 V
Waga	
Ciężar bez akumulatora (kg)	4,6
Poziom hałasu ⁶⁴	
Zmierzony poziom mocy akustycznej, dB(A)	97
Poziom głośności, gwarantowana moc akustyczna L _{WA} dB(A)	100
Poziomy głośności ⁶⁵	
Poziom ciśnienia akustycznego równoważny temu, na który narażony jest użytkownik urządzenia, mierzony zgodnie z normami: EN ISO 11203 oraz ISO 22868, dB(A):	84
Poziomy drgań ⁶⁶	
Poziomy drgań przedniego/tylnego uchwytu mierzone zgodnie z normą: ISO 22867, m/s ²	1,4/1,7
Wydajność pracy wentylatora	
Przepływ powietrza w trybie normalnym i ze standardową dyszą, m ³ /min	6,7
Maksymalna prędkość przepływu powietrza w normalnym trybie dla standardowej dyszy, m/s	50/111

Dane dotyczące hałasu i drgań są określane na podstawie maksymalnej prędkości znamionowej.

Zatwierdzone akumulatory

Z tym produktem należy używać wyłącznie Husqvarna oryginalnych 40-B akumulatorów.

Zatwierdzone akumulatory

Akumulator	40-B140
Typ	Litowo-jonowy
Pojemność akumulatora, Ah	4

⁶⁴ Emisję hałasu do otoczenia zmierzono jako moc akustyczną (L_{WA}), zgodnie z dyrektywą Rady 2000/14/WE. Odnotowany poziom ciśnienia akustycznego produktu został zmierzony z oryginalnym osprzętem tnącym, który generuje najwyższy poziom hałasu. Różnica pomiędzy gwarantowanym a zmierzonym poziomem ciśnienia akustycznego wynika z tego, że poziom gwarantowany zawiera także rozproszenie w wynikach pomiaru oraz różnice pomiędzy różnymi typami maszyn tego samego modelu zgodnie z Dyrektywą 2000/14/WE.

⁶⁵ Odnotowane dane dotyczące równoważnego ciśnienia akustycznego urządzenia wykazują typowe rozproszenie statystyczne (odchylenie standardowe) w wysokości 3 dB(A).

⁶⁶ Odnotowane dane dla poziomu wibracji mają typowe rozproszenie statystyczne (odchylenie standardowe) w wysokości 1,5 m/s².

Akumulator	40-B140
Napięcie znamionowe, V	36
Masa, kg	1,25

Zatwierdzone ładowarki

Ładowarka	40-C80
Napięcie sieciowe, V	100-240
Częstotliwość, Hz	50-60
Moc, W	72
Napięcie wyjściowe, V d.c./ Ampery, A	43/1,6

Deklaracja zgodności

Deklaracja zgodności UE

Firma **Husqvarna AB**, SE-561 82 Huskvarna,
SZWECJA, tel. +46-36-146500, deklarujemy z pełną
odpowiedzialnością, że produkt:

Opis	Ręczna dmuchawa/odkurzacz do zastosowań ogrodniczych
Marka	Husqvarna
Typ/model	120iBV
Identyfikacja	Numery seryjne z roku 2022 i nowsze

spełnia wszystkie wymogi określone w odpowiednich
dyrektywach i przepisach UE:

Przepis	Opis
2006/42/WE	„w sprawie maszyn”
2014/30/UE	„w sprawie kompatybilności elektromagnetycznej”
2011/65/UE	„dotycząca ograniczenia użycia niektórych substancji niebezpiecznych w sprzęcie elektrycznym i elektronicznym”
2000/14/WE	„dotycząca emisji hałasu do środowiska”

oraz został zaprojektowany zgodnie z następującymi
normami i specyfikacjami technicznymi:
EN 60335-1:2012+A11+A13+A14+A2+A15, EN
50636-2-100:2014, EN IEC 63000:2018, EN ISO
12100:2010, EN IEC 55014-1:2021; EN IEC
55014-2:2021

Zgodnie z dyrektywą 2000/14/WE, aneks V, patrz *Dane
techniczne na stronie 396* dla deklarowanych wartości
dźwięku.

Huskvarna, 2023-01-16



Claes Losdal, Dyrektor ds. badań i rozwoju, Husqvarna
AB

Osoba odpowiedzialna za dokumentację techniczną

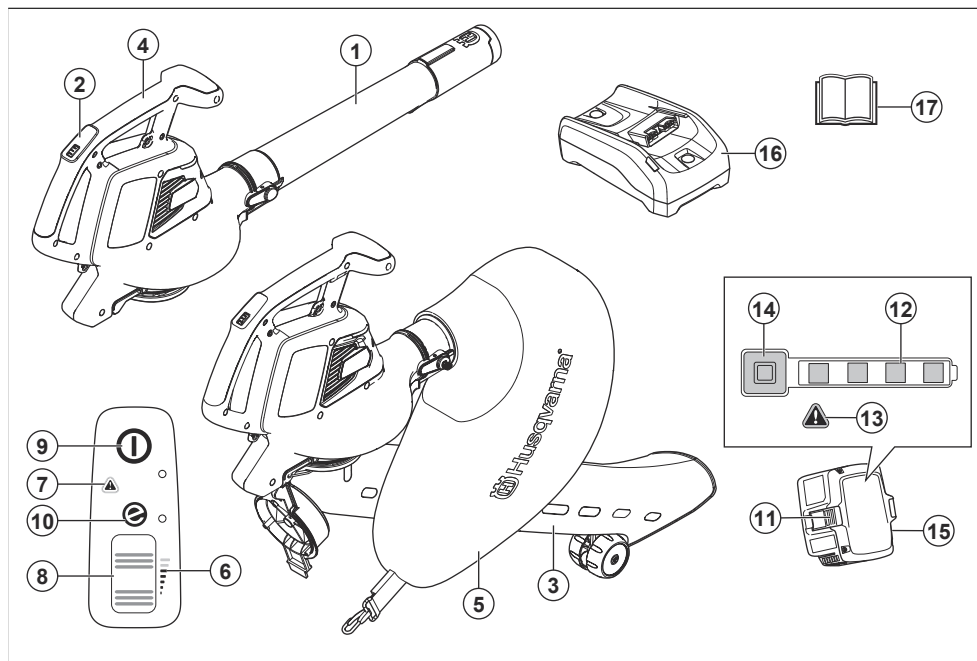


TARTALOMJEGYZÉK

Bevezető.....	399	Hibaelhárítás.....	412
Biztonság.....	401	Szállítás, tárolás és ártalmatlanítás.....	413
Összeszerelés.....	406	Műszaki adatok.....	414
Üzemeltetés.....	408	Megfelelőségi nyilatkozat.....	416
Karbantartás.....	411		

Bevezető

A termék áttekintése



1. Fűvócső
2. Billentyűzet
3. Szívócső
4. Fogantyúkar
5. Gyűjtőzsák
6. Légáramlásjelző
7. Figyelmeztetésjelző (hibajelző LED)
8. Görgőtárcsa
9. Indító-/leállítógomb
10. SavE jelző
11. Akkumulátorkioldó gomb
12. Az akkumulátor állapota
13. Figyelmeztetésjelző (hibajelző LED)
14. Áramellátás- és figyelmeztetésjelző
15. Akkumulátor, csak a Husqvarna 120iBV lombfűvő készlethez mellékelve
16. Akkumulátortöltő, csak a Husqvarna 120iBV lombfűvő készlethez mellékelve
17. Kezelői kézikönyv

Termékleírás

A Husqvarna 120iBV egy elektromos motorral rendelkező kerti fűvő-/szívókészülék modell.

Folyamatosan fejlesztjük termékeinket, ezért fenntartjuk a jogot a termékek kialakításának és megjelenésének előzetes figyelmeztetés nélküli módosítására.

Rendeltetészerű használat

Fúvó üzemmód: A fúvó üzemmódot arra tervezték, hogy elfújja a szennyeződések és a levágott fűvet a járdáról, behajtóról, udvarról és hasonló helyekről. Fűnyesedék, szalma vagy falevelek fúvással történő halomba rendezésére, illetve szennyeződések sarkokból, résekől vagy csempék/téglák közötti hézagokból történő eltávolítására is alkalmas.

Szívó üzemmód: A szívó üzemmódot száraz anyagok felszívására tervezték. Ide tartoznak a levelek, fű, apró gallyak és papírdarabok.

A terméken található jelzések



FIGYELMEZTETÉS: A termék veszélyes lehet a kezelőre és másokra, valamint a súlyos sérüléseket és halálukat okozhatja. Körültekintően járjon el, és megfelelően használja a terméket.



Olvassa el a használati utasítást, és a termék használatba vétele előtt mindenképpen legyen tisztában a benne foglaltakkal.



Használjon jóváhagyott védőszemüveget.



Feszültségosztály, V



Egyenáram.



Az EU és az Egyesült Királyság irányelveinek és jogszabályainak, és New South Wales „Környezetben történő munkavégzés szabályozása (zajszabályozás), 2017” irányelvének megfelelő környezeti zajkibocsátási címke. A termék garantált hangteljesítményszintjére vonatkozó adatok megtalálhatók az alábbi részen: *Műszaki adatok 414. oldalon és a címkén.*



Karbantartás előtt válassza le az akkumulátort.



A termék és a termék csomagolása nem minősül háztartási hulladéknak. Újrahasznosítását egy elektromos és elektronikus berendezések

újrahasznosítására szolgáló ponton kell elvégezni.



Ez a termék megfelel a vonatkozó EK-irányelveknek.



A termék megfelel a vonatkozó egyesült királyságbeli irányelveknek.



Óvja a terméket az esőtől.



A termék kikapcsolása után várja meg, amíg a rotorlapátok leállnak.



A terméket csak akkor használja szívó üzemmódban, ha a cső teljesen össze van szerelve.



A lombfúvó kezelője ügyeljen arra, hogy se ember, se állat ne jöjjön közelebb 15 m-nél. Ha ugyanazon a munkaterületen többen is dolgoznak, legalább 15 méteres biztonsági távolságot kell tartani. A lombfúvó nagy erővel fújhat ki tárgyakat, melyek visszapatannak. Ez a javasolt biztonsági felszerelés használatának mellőzése esetén súlyos szemsérülést okozhat.



yyyy wwwxxxx

A típustáblán megtalálható a sorozatszám. **6666** a gyártási év, **hh** pedig a gyártási hét.

Megjegyzés: A tartozékon szereplő többi jel/címke egyes piacok specifikus vizsgáztatási követelményeire vonatkozik.

Szimbólumok az akkumulátoron, illetve az akkumulátortöltőn



A termék újrahasznosítását elektromos és elektronikus berendezések újrahasznosítására szolgáló ponton kell elvégezni. (Kizárólag Európára vonatkozik)



Meghibásodásbiztos transzformátor.



Az akkumulátortöltőt kizárólag beltérben szabad használni és tárolni.



Kettős szigetelés.

Gyártó

Husqvarna AB

Drottningatan 2, SE-561 82 Huskvarna

A termék károsodása

A termékben keletkezett károkért nem vállalunk felelősséget, amennyiben:

- a termék javítását helytelenül végezték;
- a termék javítása nem a gyártótól származó vagy általa jóváhagyott alkatrészekkel történt;
- a terméket nem a gyártótól származó vagy általa jóváhagyott kiegészítővel szerelték fel;
- a termék javítását nem hivatalos szakszerviz vagy jóváhagyott egyéb szerviz végezte.

Biztonság

Biztonsági meghatározások

A figyelmeztetések, óvintézkedések és megjegyzések a használati utasítás kiemelten fontos részeire hívják fel a figyelmet.



FIGYELMEZTETÉS: Akkor használatos, ha a kézikönyv utasításainak be nem tartása esetén fennáll a kezelő vagy a közelben tartózkodók sérülésének vagy halálának veszélye.



VIGYÁZAT: Akkor használatos, ha a kézikönyv utasításainak be nem tartása esetén fennáll a vagyoni kár, illetve a termék és/vagy a tartozék vagy a környező területen lévő anyagok károsodásának veszélye.

Mejegyzés: További információt biztosít az adott helyzetben szükséges tennivalóról.

Általános biztonsági utasítások



FIGYELMEZTETÉS: A termék használata előtt olvassa el az alábbi figyelmeztetéseket.

- Figyelmesen olvassa el az utasításokat, hogy megismerje a gép kezelőszerveit és megfelelő működését. Helytelen vagy gondatlan használat esetén a termék veszélyessé válhat, és a kezelő vagy más személyek súlyos, akár halálos sérülését is okozhatja.
- A termék eredeti kivitelezésén a gyártó cég engedélye nélkül semmilyen módosítást sem szabad végezni. Soha ne használjon olyan terméket,

amelynek eredeti konstrukcióján bármilyen módon is változtattak, tovább mindig csak eredeti tartozékokat használjon. Nem engedélyezett módosítások és/vagy pótalkatrészek komoly sérülésekhez vagy halálos balesetekhez vezethetnek. Előfordulhat, hogy a garancia nem terjed ki a nem engedélyezett tartozékok vagy cserealkatrészek használatából adódó károkra és felelősségre.

- A termék működés közben elektromágneses mezőt hoz létre. Ez bizonyos körülmények esetén hatással lehet az aktív vagy passzív orvosi implantátumokra. A súlyos vagy halálos sérülés kockázatának csökkentése érdekében azt javasoljuk, hogy az orvosi implantátumot használó személyek a termék alkalmazása előtt kérjék ki orvosuk vagy az orvosi implantátum gyártójának tanácsát.
- Töltés előtt vegye ki az akkumulátort a termékből.

A motoros szerszámmal kapcsolatos általános biztonsági figyelmeztetések

Indítás előtti ellenőrzés

- Ellenőrizze a munkaterületet. Távolítson el minden mozgatható tárgyat, pl. köveket, üvegcserepeket, szögeket, fémdrótokat, zsinegeket, stb., amelyeket a vágófelszerelés felkaphat.
- Mindig vegye ki az akkumulátort annak biztosítására, hogy a gép ne indulhasson be véletlenül. Karbantartás előtt mindig válassza le az akkumulátort.
- A gép használata előtt és minden ütközés után ellenőrizze, nem láthatók-e a gépen kopás vagy sérülés nyomai, és szükség esetén gondoskodjon a javításról.
- Kizárólag eredeti pótalkatrészeket használjon.
- A gép kezelője ügyeljen arra, hogy a munka során se ember, se állat ne jöjjön közelebb 15 m-nél. Ha

ugyanazon a munkaterületen többen is dolgoznak, a biztonsági távolságnak legalább 15 méternek kell lennie.

- Használat előtt végezze el a gép általános ellenőrzését, lásd a karbantartási ütemezést.
- A használatot nemzeti vagy helyi előírások szabályozhatják. Tartsa be a vonatkozó előírásokat.

Személyes biztonság

- **Legyen elővigyázatos, figyeljen arra, amit csinál, és használja a józan esztét a motoros szerszám működtetése során. Ne használja a motoros szerszámot, ha fáradt, vagy ha gyógyszer, gyógykezelés vagy alkohol hatása alatt áll.**
A szerszám működése közben egy pillanatnyi figyelemkiesés is súlyos személyi sérülést okozhat.
- Tartsa távol a nézelődőket.
- A készüléket csökkent fizikai, érzékelési vagy mentális képességekkel rendelkező, illetve a szükséges tapasztalattal és tudással nem rendelkező személy (beleértve a gyermekeket is) csak akkor használhatja, ha a biztonságukért felelős személy felügyeli őket vagy útmutatást nyújt számukra. Biztosítsa, hogy a gyermekek ne játsszanak a készülékkel.
- Soha ne engedje, hogy gyermekek vagy a kezelési utasításokat nem ismerő személyek használják a terméket. A helyi rendelkezések adott esetben kezelési korhatárt szabhatnak meg.
- Tartsa az illetéktelen személyeket biztonságos távolságban. A gyermekek, állatok, nézelődők és segítők maradjanak a 15 m-es (50 láb) biztonsági zónán kívül. Állítsa le a gépet azonnal, ha valaki közelít.
- A berendezést zárható helyen tartsa, hogy ne kerülhessen gyermekek vagy illetéktelen személyek kezébe.
- Ne használja a gépet burkolt vagy kavicsos felületen, mivel a gép felverheti ezeket, ami sérülést okozhat.
- A gép használatához mindig húzzon zárt lábbelit és hosszú szárú nadrágot. Ne használja a gépet mezítárb vagy nyitott szandálban. Kerülje a bő ruhákat, illetve azokat, amelyekről zsinórok vagy szalagok lógnak.
- Ne viseljen laza ruházatot vagy ékszert, amit a készülék a légbeszívó nyíláson keresztül beszívhat. Ha hosszú a haja, gondoskodjon arról, hogy ne jusson a légbeszívó nyílás közelébe.
- Soha ne használja a gépet, ha fáradt, ha szeszesitalt fogyasztott, vagy ha olyan gyógyszert szed, amely befolyásolhatja a látását, az ítélőképességét vagy a koordinációs képességét.
- Viseljen személyi biztonsági felszerelést. Lásd a „Személyi védőfelszerelés” című fejezetben szereplő utasításokat.
- Amikor más személynek adja át a gépet, vegye ki belőle az akkumulátort.

- Ne feledje, hogy a kezelő, azaz Ön a felelős más személyek vagy azok tulajdonának sérüléseiért vagy veszélyeztetéséért.

A motoros szerszám használata és karbantartása

- Soha ne használjon olyan gépet, amelynek eredeti konstrukcióján bármilyen módon is változtattak. Soha ne használja a gépet robbanás- vagy tűzveszélyes anyagok közelében.
- Soha ne használjon olyan gépet, amely hibás. Végezze el az ebben a használati utasításban előírt ellenőrzési, karbantartási és szervizmunkákat. Bizonyos karbantartási és szervizmunkákat szakembernek kell végrehajtania. Lásd a „Karbantartás” című fejezetben szereplő utasításokat.
- Kizárólag eredeti pótalkatrészeket használjon.
- A szellőzőnyílásokat mindig tartsa szennyeződésmentesen.
- A gép elindítása előtt az összes burkolatot, védőlemezt és fogantyút fel kell szerelni.
- Kizárólag nappali fényben vagy jól megvilágított fényviszonyok mellett használja a gépet.
- Ne használja a gépet rossz időjárási körülmények között, például ködben, esőben, nyirkos vagy nedves helyen, erős szélben, rendkívüli hidegben, villámálskor stb. Kánikulában a gép túlmelegedhet. Rossz időben a termék használata fárasztó, és veszélyes körülményeket, például csúszós felületeket eredményezhet.
- Ha a készülék rendellenes vibrálásba kezd, állítsa le, és távolítsa el az akkumulátort.
- Sétáljon, soha ne fusson.

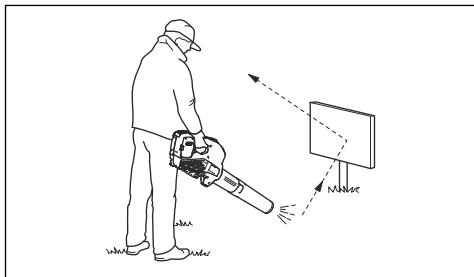
Biztonsági utasítások az üzemeltetéshez



FIGYELMEZTETÉS: A termék használata előtt olvassa el az alábbi figyelmeztetéseket.

- Ha munka közben elbizonytalanodik a munka folytatását illetően, kérje szakember tanácsát. Forduljon kereskedőhöz vagy márkaszervizhez. Ne használja a gépet olyan feladatok elvégzésére, amelyekhez úgy véli, nem rendelkezik elegendő szakértelemmel.
- Bizonyosodjon meg arról, hogy biztonságosan tud járni és állni. Nézzon körül és ellenőrizze lehetséges akadályok (például gyökerek, kövek, gödrök, árkok stb.) jelenlétét arra az esetre, ha hirtelen el kellene mozdulnia. Legyen nagyon óvatos, amikor lejtős talajon dolgozik.
- Minden esetben tartsa meg egyensúlyát és álljon szilárdan. Ne nyújtózkodjon a termékkel.

- Fülvédő viselése esetén mindig figyeljen a figyelmeztető jelzésekre és hangokra. A termék leállítása után azonnal vegye le a fülvédőket.
- Nyitott ablakok közelében ne működtesse a terméket.
- Legyen tekintettel a közelben lakókra, ne használja a terméket alkalmatlan időpontban, például késő este vagy kora reggel. Tartsa be a helyi szabályzatokat és rendeleteket.
- Mindig a lehető legkisebb légáramlással üzemeltesse a terméket. Teljes légáramlásra ritkán van szükség, a legtöbb munka csökkentett légáramlással is elvégezhető. A kisebb légáramlás használata kevesebb zajjal és porral jár, és az összegyűjtött vagy mozgatót szemét is könnyebben kezelhető így.
- Poros környezetben való használat előtt kissé nedvesítse be a felületet.
- A talajra tapadt szemetet gereblyével vagy kefével lazítsa meg.
- A lombfűvő nyílását a lehető legközelebb tartsa a talajhoz.
- Figyeljen a környezetére. Ne irányítsa a terméket emberek, állatok, játékerületek, gépkocsik stb. felé.
- Minimalizálja a fűvási időt a poros területek enyhe benedvesítésével vagy permetezőberendezés használatával.
- Ügyeljen a szélirányra. Könnyítse meg a munkát a szél kihasználásával.
- Ha a termék rendellenes vibrálásba kezd, állítsa le a terméket és távolítsa el az akkumulátort.
- A nagy halmok mozgatása a lombfűvővel túlzottan időigényes, és főleg zajjal jár.
- Takarítson össze maga után. Győződjön meg róla, hogy ne fújt szemetet másnak a kertjébe.
- Ne fusson a termékkel.
- Az erős légáram úgy felgyorsíthatja a tárgyakat, hogy azok visszapattanva súlyos szemsérülést okozhatnak.



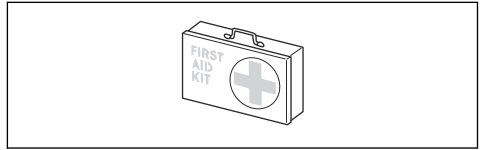
- Ne irányítsa a légáramot emberek vagy állatok felé.
- Mielőtt tartozékokat vagy más alkatrészeket szerelne fel vagy le, állítsa le a motort.
- Minden testrészét tartsa távol a forró felületektől.
- Soha ne tegye le a beindított terméket, hacsak nem tudja szemmel tartani azt.

- Állítsa le a gépet, és távolítsa el az akkumulátort. A következő esetekben várja meg, amíg az összes mozgó alkatrész teljesen megáll:
 - ha magára hagyja a gépet
 - az elakadás vagy a garat dugulásának megszűntetése előtt
 - a gép ellenőrzése, tisztítása vagy a gépen való munkavégzés előtt
- Azonnal kapcsolja ki az áramforrást, és várja meg, hogy a gép leálljon, ha a vágószerszerezet idegen tárgynak ütközik, vagy ha a gép szokatlan hangot ad ki, vagy rázkódni kezd. Csatlakoztassa le az akkumulátort a gépről, és végezze el az alábbi lépéseket, mielőtt a készüléket újra elindítja és használatba veszi:
 - ellenőrizze, hogy nincs-e sérülés
 - cserélje ki vagy javítsa meg a sérült alkatrészeket
 - ellenőrizze, hogy nincsenek-e kilazult alkatrészek. Ha vannak, szorítsa meg őket
- Ha a gép eltömődik, kapcsolja ki az áramforrást, és váltsa le a gépet az akkumulátorról, mielőtt eltávolítja a nem kívánt anyagokat.
- Ne szállítsa a gépet, ha a tápellátás él.
- Ne döntse meg a gépet, ha a tápellátás él.
- Létrán vagy állványzaton tilos használni a lombfűvőt.



- Ne használja a terméket olyan körülmények között, amelyeknél baleset esetén nem lenne lehetséges segítséget hívni.
- Vigyázzon a felcsapódó tárgyaktól. Kövek, szemét stb. kerülhetnek a szembe, és vakságot, illetve súlyos sérüléseket okozhatnak.
- A termék töltésekor a fokozott biztonság érdekében használjon életvédelmi relét (RCI). Elektromos hiba esetén életvédelmi relé biztosítja a kezelő védelmét.
- Ez a termék kis rezgésterhelésével tűnik ki. Az erős rezgés miatt a vérkeringési zavarokban szenvedő személyeknél ér- vagy idegsérülések léphetnek fel. Forduljon orvoshoz, ha olyan tüneteket tapasztal, amelyek az erős rezgés hatására jöhetnek létre. Ezek a tünetek lehetnek többek között: zsibbadás, érzéskiesés, bizsergés, szúró érzés, fájdalom, erőtlenség, a bőr színének vagy felületének megváltozása. A tünetek többnyire az ujjakban, a kézben vagy a csuklóban jelentkeznek.

- Kizárólag a rendeltetésének megfelelően használja a terméket.
- Lehetetlen az összes elképzelhető helyzetet ismertetni. Mindig megfontoltan és előrelátóan tevékenykedjen. Kerülje az olyan helyzeteket, amelyek saját megítélése szerint meghaladják a képességeit. Ha a jelen kézikönyv elolvasása után is bizonytalannak érzi magát az üzemeltetési eljárásokkal kapcsolatban, a folytatás előtt kérje ki egy szakértő véleményét.
- Viseljen sűrű szövésű anyagból készült ruházatot. Vastag, hosszú nadrágot és hosszú ujjú felsőrészt viseljen. Ne viseljen bő ruházatot, mert az beakadhat a gallyakba és a bokrok ágaiba. Ne viseljen ékszereket, rövidnadrágot, szandált, illetve ne legyen meztláb. Igazítsa haját vállmagasság fölé.
- Tartson elsősegélykészletet a közelben.



- Por veszélye esetén porvédő maszkot kell viselni.

Biztonsági eszközök a terméken



FIGYELMEZTETÉS: A termék használata előtt olvassa el az alábbi figyelmeztetéseket.

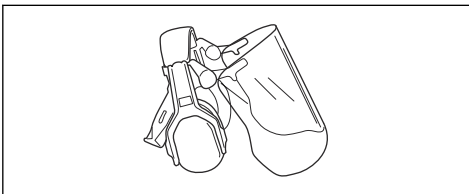
- Ez a fejezet a termék biztonsági funkcióit és rendeltetését, valamint a megfelelő üzemelést biztosító ellenőrzések és karbantartási műveletek elvégzésének módját ismertet. Tekintse át a fejléc alatt szereplő utasításokat, *A termék áttekintése 399. oldalon* hogy megtudja, hol találhatók ezek az alkatrészek a terméken.
- A termék élettartama lecsökkenhet, a balesetveszély pedig megnövekedhet, ha a termék karbantartását nem megfelelően hajtják végre, illetve ha a szervizt és/vagy a javításokat nem szakszerűen végzik. Ha további információra van szüksége, vegye fel a kapcsolatot a legközelebbi szervizszolgáltatóval.
- Soha ne használja a terméket hibás biztonsági felszerelésekkel. A termék biztonsági felszerelésének ellenőrzését és a karbantartási munkálatokat a jelen fejezetben leírtak szerint kell elvégezni. Ha az Ön terméke nem felel meg az alábbi vizsgálatok valamelyikénél, forduljon szervizműhelyéhez.
- A termék szervizeléséhez és javításához speciális szakmai képzésre van szükség. Ez különösen érvényes a termék biztonsági felszereléseire. Ha az Ön terméke nem felel meg az alábbi vizsgálatok valamelyikénél, akkor forduljon szervizműhelyéhez. Bármely termékünk megvásárlásakor garantáljuk a szakképzett javítást és szervizelést. Ha a terméket nem szervizműhellyel rendelkező szaktereskedőtől vásárolta, akkor kérje el tőle a legközelebbi szervizműhely címét.

Személyi védőfelszerelés

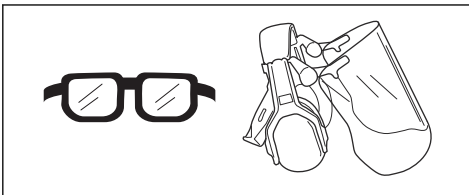


FIGYELMEZTETÉS: A termék használata előtt olvassa el az alábbi figyelmeztetéseket.

- A termék használata során viseljen jóváhagyott személyi védőfelszerelést. A személyi védőfelszerelés nem küszöböli ki teljes mértékben a sérülés kockázatát, de csökkenti a sérülés mértékét, ha bekövetkezik a baleset. A megfelelő felszerelés kiválasztásában kérje a márkakereskedő segítségét.
- Hosszú távon a tartós zajterhelés halláskárosodást okozhat. Az akkumulátoros termékek általánoságban véve viszonylag csendesek, azonban a zajszint és a hosszú távú használat kombinációja károsodást okozhat. A(z) azt javasolja, hogy a kezelő viseljen fülvédőt, ha a termékeket egy nap hosszabb ideig, szünet nélkül használja. A terméket folyamatosan és rendszeresen használó kezelőknek rendszeresen ellenőriztetniük kell a hallásukat. Vegye figyelembe, hogy fülvédő viselése közben a kezelő kevésbé hallja a hangokat és a figyelmeztető jeleket.

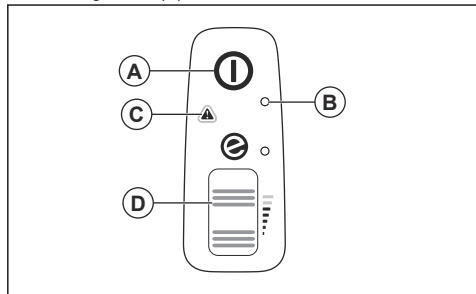


- Használjon jóváhagyott védőszemüveget. Ha arcvédőt használ, jóváhagyott védőszemüveget is kell viselnie. Jóváhagyott védőszemüvegek azok, amelyek megfelelnek az ANSI Z87.1 (USA) illetve EN 166 (EU-országok) szabványoknak.



A billentyűzet ellenőrzése

1. Nyomja le és tartsa lenyomva az indító-/leállítógombot (A).



- a) Ha a LED (B) világítani kezd, a termék be van kapcsolva.
 - b) Ha a LED (B) nem világít, a termék ki van kapcsolva.
2. Lásd: *Felhasználói felület* 412. oldalon ha a figyelmeztetésjelző (C) világít vagy villog.
 3. Nyomja le, majd engedje fel a görgőtárcsát annak ellenőrzésére, hogy szabadon mozog-e.

Az akkumulátorral kapcsolatos biztonsági előírások



FIGYELMEZTETÉS: A termék használata előtt olvassa el az alábbi figyelmeztetéseket.

- Kizárólag a termékhez ajánlott 40-B sorozatú akkumulátorokat használja. Lásd: *Jóváhagyott akkumulátorok* 415. oldalon. Az akkumulátorok szoftveresen kódolva vannak.
- A tölthető 40-B sorozatú akkumulátorokat kizárólag a megfelelő Husqvarna termékek tápellátására használja. Ne használja az akkumulátort más eszközök áramforrásként, mivel ez balesetveszélyes.
- Elektromos áramütés veszélye. Ne csatlakoztassa az akkumulátorsarukat kulcsokhoz, csavarokhoz vagy egyéb fémhez. Ez az akkumulátor rövidzárlatát okozhatja.
- Ne használjon nem újratölthető akkumulátorokat.
- Ne tegyen tárgyakat az akkumulátor szellőzőnyílásaiba.
- Tartsa távol az akkumulátort a közvetlen napsütéstől, hőtől és nyílt lángtól. Az akkumulátor súlyos égési, illetve vegyi égési sérüléseket okozhat.
- Tartsa az akkumulátort esős, nedves környezettől távol.
- Tartsa az akkumulátort mikrohullámoktól és magas nyomástól távol.
- Soha ne próbálkozzon az akkumulátor szétszerelésével vagy szétválasztásával.

- Az akkumulátort -10 °C (14 °F) és 40 °C (104 °F) közötti hőmérsékleten használja.
- Soha ne tisztítsa vízzel az akkumulátort vagy az akkumulátortöltőt. Lásd: *A termék, az akkumulátor és az akkumulátortöltő tisztítása* 412. oldalon.
- Ne használjon meghibásodott vagy sérült akkumulátort.
- A tárolás során tartsa az akkumulátorokat távol a fém tárgyaktól, például szegektől, csavaroktól és ékszerektől.
- Az akkumulátor gyermekektől elzárva tartandó.

Az akkumulátortöltő készülék biztonsága



FIGYELMEZTETÉS: A termék használata előtt olvassa el az alábbi figyelmeztetéseket.

- Áramütés vagy rövidzárlat veszélye, ha a biztonsági utasításokat nem tartják be.
- Ne használjon más a termékhez mellékelt akkumulátortöltőn kívül. Kizárólag 40-C80 töltőkészülékeket használjon a Husqvarna 40-B140 csereakkumulátorok töltéséhez. Lásd: *Jóváhagyott akkumulátortöltők* 415. oldalon és *Jóváhagyott akkumulátorok* 415. oldalon.
- Ne próbálkozzon az akkumulátortöltő szétszerelésével.
- Ne használjon meghibásodott vagy sérült akkumulátortöltőt.
- Ne emelje fel az akkumulátortöltőt a tápkábelnél fogva. Az akkumulátortöltő fali aljzatból történő kihúzásához a dugaszt húzza. Ne a tápkábelt húzza.
- Minden kábelt és hosszabbítókábelt óvjon a víztől, az olajtól és az éles peremektől. Ügyeljen rá, hogy a kábel ne akadjon be ajtóba, korlátba vagy ezekhez hasonló tárgyakra.
- Ne használja az akkumulátortöltőt gyúlékony anyagok vagy olyan anyagok közelében, amelyek korróziót okozhatnak. Győződjön meg róla, hogy az akkumulátortöltőt nem fedi semmi. Amennyiben a töltő füstölni vagy égni kezdene, húzza ki a dugóját.
- Az akkumulátort csak jó szellőzésű helyiségben, napfénytől távol töltsen. Ne töltsen az akkumulátort kültéren. Ne töltsen az akkumulátort nedves körülmények között.
- Az akkumulátortöltőt csak 5 °C (41 °F) és 40 °C (104 °F) közötti hőmérséklet esetén használja. A töltőkészüléket jól szellőző, száraz és pormentes környezetben használja.
- Ne tegyen tárgyakat az akkumulátortöltő hűtőnyílásaiba.
- Ne érintsen az akkumulátortöltő csatlakozóihoz fémtárgyakat, mivel ezek rövidzárlatot okozhatnak a töltőkészüléken.

- Jóváhagyott, sértetlen hálózati aljzatot használjon. Ellenőrizze, hogy az akkumulátortöltő kábele nem sérült-e. Hosszabbítókábelek használata esetén győződjön meg arról, hogy a hosszabbítókábelek nem sérültek-e.

Biztonsági utasítások a karbantartáshoz



FIGYELMEZTETÉS: A terméken végzett karbantartási műveletek előtt olvassa el az alábbi figyelmeztetéseket.

- Ha szervizelés, vizsgálat, tárolás vagy tartozékcsere céljából leállítja a gépet, várja meg, hogy a gép teljesen lehűljön, mielőtt vizsgálatokat, beállításokat végez stb. Gondosan tartsa karban és tartsa tisztán a gépet.
- Karbantartás, egyéb ellenőrzések vagy a termék összeszerelése előtt távolítsa el az akkumulátort.
- A kezelő kizárólag a jelen használati utasításban szereplő karbantartási és szervizmunkákat

végezheti el. A szélesebb körű karbantartási és szervizmunkákkal kapcsolatban forduljon a szakszervizhez.

- A készülék üzembiztos állapotának fenntartása érdekében minden anyát és csavart tartson szorosan meghúzva.
- A kopott vagy sérült alkatrészeket ki kell cserélni.
- A karbantartási műveletek elmulasztása csökkenti a termék élettartamát, illetve növeli a balesetveszélyt.
- A gépen végzett minden szerviz- és javítási munkát szakképzettséget igényel, különös tekintettel a biztonsági eszközökre. Amennyiben a karbantartást követően nem minden, a használati utasításban leírt ellenőrzési művelet jóváhagyott, forduljon a szakszervizhez. Garantáljuk a termékéhez megfelelő, professzionális javítást és szervizelést.
- Kizárólag eredeti pótalkatrészeket használjon.

Összeszerelés

Fúvó üzemmód



FIGYELMEZTETÉS:

Ha a rotorlapátok fogognak, vagy a gép véletlenül beindul, vágásos sérülés történhet. Vegye ki az akkumulátort, és a termék összeszerelése előtt várja meg, amíg a rotorlapátok leállnak.

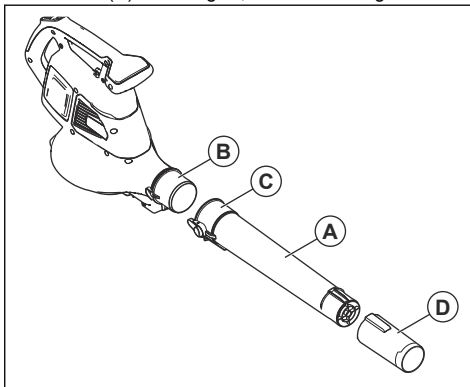


FIGYELMEZTETÉS: A termék fúvó üzemmódban való használata előtt szerelje össze teljesen a fúvócsövet és a beömlőnyílás fedelét.

A fúvócső összeszerelése

Megjegyzés: Ha a fúvócső nincs megfelelően felszerelve, egy biztonsági kapcsoló megakadályozza a lombfúvó beindulását.

1. Nyomja rá a fúvócsövet (A) a fúvókimenetre (B). A retesz (C) akkor rögzül, ha kattánós hang hallatszik.

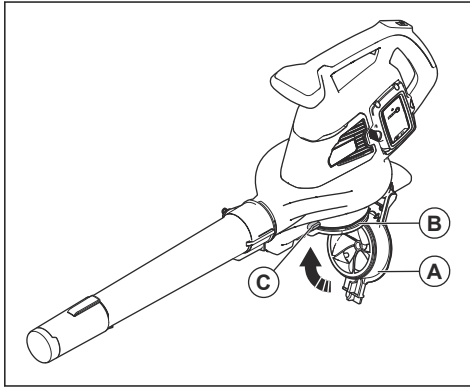


2. Szerelje fel a fúvókát (D) a fúvócsőre. A fúvóka egy kattánós kíséretében a helyére kattán.

A beömlőnyílás fedelének felszerelése

Megjegyzés: Ha a beömlőnyílás fedele nincs megfelelően felszerelve, egy biztonsági kapcsoló megakadályozza a lombfúvó beindulását.

- Zárja le a lombfúvó bemenetén (B) lévő beömlőnyílást (A). A retesz (C) akkor rögzül, ha kattanó hang hallatszik.



Szívó üzemmód



FIGYELMEZTETÉS: A termék szívó üzemmódban való használata előtt szerelje össze teljesen a szívócsövet és a gyűjtőzsákokat.

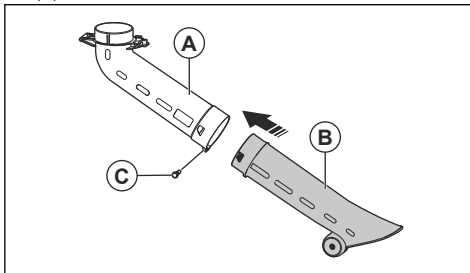
A szívócső összeszerelése



FIGYELMEZTETÉS: A termék beindítása előtt szerelje össze a felső és alsó szívócsövet.

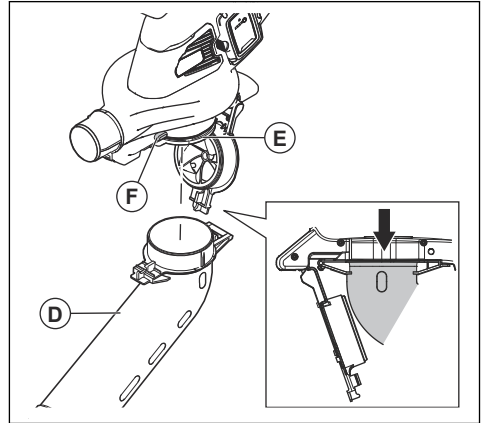
Megjegyzés: Ha a szívócső nincs megfelelően felszerelve, egy biztonsági kapcsoló megakadályozza a szívóművelet beindulását.

1. Igazítsa egymáshoz a felső szívócsövön lévő nyílásokat (A) és az alsó szívócsövön lévő füleket (B).



2. Nyomja rá az alsó szívócsövet a felső szívócsőre, amíg kattanás nem hallható.
3. Húzza meg a csavart (C).

4. Szerelje fel a szívócsövet (D) a szívónyílásra (E). A retesz (F) akkor rögzül, ha kattanó hang hallatszik.



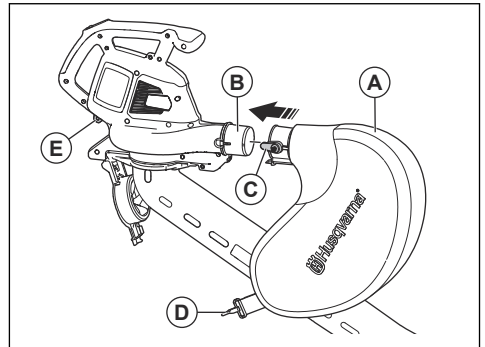
A gyűjtőzsák összeszerelése

Megjegyzés: Ha a gyűjtőzsák nincs megfelelően felszerelve, egy biztonsági kapcsoló leállítja a termék indítási folyamatát.



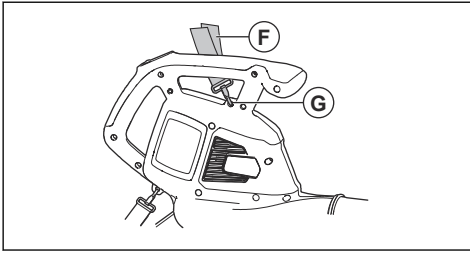
FIGYELMEZTETÉS: Állítsa le készüléket a zsák ráerősítése vagy levétele előtt.

1. Távolítsa el a fúvócsövet, ha az fel van szerelve a termékre.
2. Nyomja rá a gyűjtőzsákokat (A) a szívókimenetre (B). A retesz (C) akkor rögzül, ha kattanó hang hallatszik.



3. Csatlakoztassa a gyűjtőzsák sziját (D) a rögzítőelemre (E).

4. Csatlakoztassa a vállszijat (F) a rögzítőelemre (G).



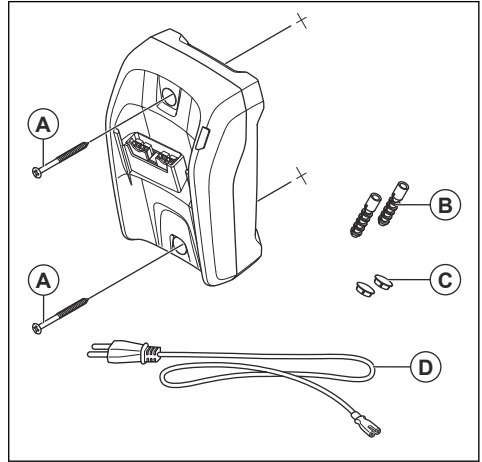
5. Győződjön meg arról, hogy a gyűjtőzsák teljesen le van zárva.

Az akkumulátortöltő falra történő felszerelése



VIGYÁZAT: Az akkumulátortöltő falra történő felszereléséhez ne használjon elektromos csavarhúzózt. Az elektromos csavarhúzó kárt tehet az akkumulátortöltőben.

1. Szerelje fel az akkumulátortöltőt a falra a 2 csavarral (A). Szükség esetén használjon tipliket (B).



2. Helyezze be a 2 csavarfurat-sapkát (C).
3. Csatlakoztassa a tápkábelt (D) egy akkumulátortöltőhöz és egy fali aljzathoz.

Üzemeltetés

Bevezető



FIGYELMEZTETÉS: A termék használata előtt figyelmesen olvassa el a biztonságról szóló fejezetet.

A funkciók ellenőrzése a termék használata előtt

- Ellenőrizze a levegőbeömlő nyílást, hogy nem található-e rajta szennyeződés vagy repedés. Egy kefe segítségével tisztítsa meg a terméket a fűtől és a levelektől.
- Győződjön meg arról, hogy a termék megfelelően működik.
- Ellenőrizze, hogy az anyák és a csavarok szorosan meg vannak-e húzva.

Akkumulátor



FIGYELMEZTETÉS: Az akkumulátor használata előtt figyelmesen olvassa el a biztonságról szóló fejezetet. Olvassa el figyelmesen az akkumulátorhoz

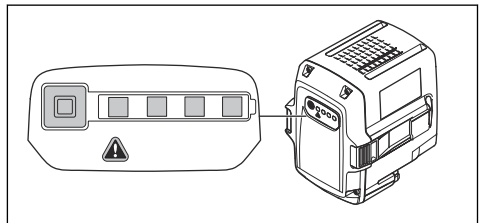
és az akkumulátortöltőhöz mellékelt használati útmutatót is.

Tartsa az akkumulátort és az akkumulátortöltőt megfelelő környezeti hőmérsékleten.

	Környezeti hőmérséklet
Az akkumulátor használata	5 °C-40 °C/41 °F-104 °F
Az akkumulátor feltöltése	5 °C-40 °C/41 °F-104 °F

Az akkumulátor állapota

A kijelző jelzi az akkumulátor töltöttségét, valamint azt, hogy van-e valami probléma az akkumulátorral.



LED jelzőlámpa	Az akkumulátor töltöttségi állapota
4 LED világít	Az akkumulátor töltöttsége 76–100%-os.
3 LED világít	Az akkumulátor töltöttsége 51–75%-os.
2 LED világít	Az akkumulátor töltöttsége 26–50%-os.
1 LED világít	Az akkumulátor töltöttsége 6–25%-os.
1 LED villog	Az akkumulátor töltöttsége 0–5%-os.

Az akkumulátor töltése

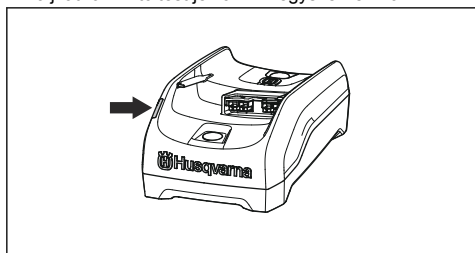
Az első használat előtt tölts fel az akkumulátort. Az új akkumulátorok csak 30%-ra vannak feltöltve.



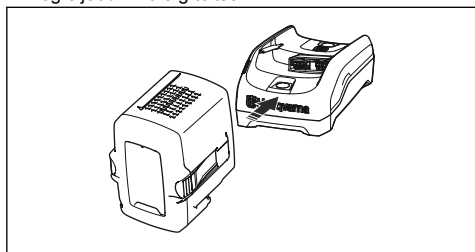
VIGYÁZAT: Az akkumulátortöltőt az adattáblán szereplő feszültségű és frekvenciájú tápaljzathoz csatlakoztassa.

50 °C/122 °F feletti hőmérséklet esetén az akkumulátor nem töltődik fel.

1. Csatlakoztassa a tápkábel az akkumulátortöltőhöz.
2. Csatlakoztassa az akkumulátortöltőt földelt hálózati aljzathoz. A töltést jelző LED egyszer felvilág.



3. Csatlakoztassa az akkumulátort a töltőkészülékhez. A töltést jelző LED világítani kezd. Az akkumulátort legfeljebb 24 óráig tölts.



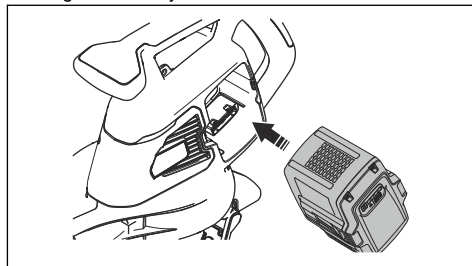
4. Nyomja meg az akkumulátorjelző gombot. Ha az összes LED jelzőlámpa világít, az akkumulátor teljesen fel van töltve.
5. Húzza ki a tápkábel, és csatlakoztassa le az akkumulátortöltőt a tápcsatlakozóról. Ne a tápkábel húzza.
6. Vegye ki az akkumulátort a töltőből.

Az akkumulátor csatlakoztatása a termékhez

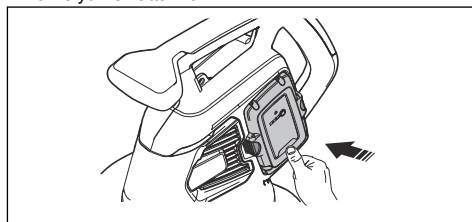


FIGYELMEZTETÉS: Kizárólag eredeti Husqvarna akkumulátorokat használjon a termékben.

1. Ellenőrizze, hogy az akkumulátor teljesen fel van-e töltve.
2. Csúsztassa az akkumulátort a terméken található akkumulátortartóba. Az akkumulátornak könnyedén be kell csúsznia - ha nem ez történik, akkor nem megfelelően helyezte be.

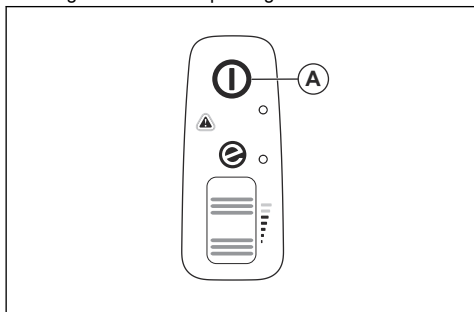


3. Nyomja meg az akkumulátor alsó részét, és tolja be az akkumulátorrekeszbe, ameddig lehet. Az akkumulátor egy kattanas kíséretében a helyére kerül.
4. Győződjön meg arról, hogy a reteszek megfelelően a helyükre kattannak.

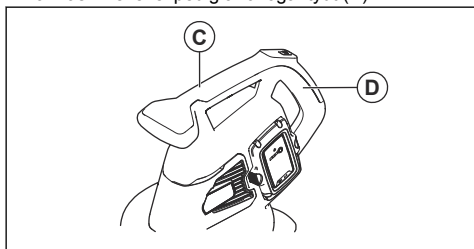


A termék elindítása

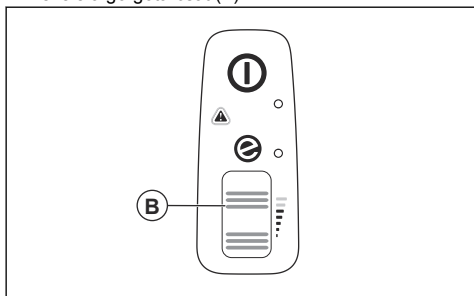
1. Nyomja le és tartsa lenyomva a leállítógombot (A), amíg a zöld LED-lámpa világítani nem kezd.



2. Egyik kezével fogja meg a kiegészítő fogantyút (C), a másik kezével pedig a fő fogantyút (D).

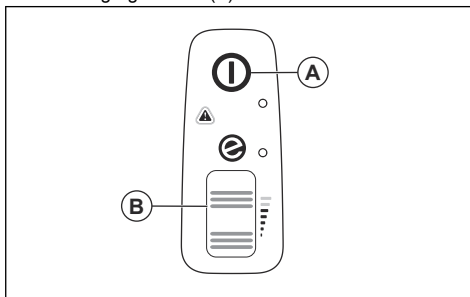


3. A fúvó vagy szívó üzemmód elindításához görgesse felfelé a görgőtárcsát (B).



A termék leállítása

1. A fúvó vagy szívó üzemmód leállításához görgesse lefelé a görgőtárcsát (B).

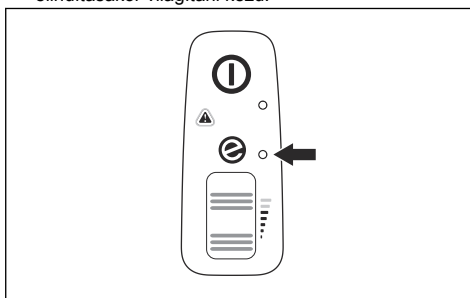


2. Nyomja le és tartsa lenyomva az indító-/leállítógombot (A), amíg a zöld LED-lámpa ki nem alszik.

ECO mód

AZ ECO mód növeli az akkumulátor élettartamát.

- Az ECO mód elindításához görgesse lefelé a görgőtárcsát. A LED-lámpa az ECO mód elindításakor világítani kezd.



- A normál üzemmód elindításához görgesse felfelé a görgőtárcsát. A normál üzemmód elindításakor a LED-lámpa kialszik.

A gyűjtőzsák ürítése



FIGYELMEZTETÉS:

Az éles tárgyak sérülést okozhatnak. Kezével ne nyúljon a gyűjtőzsákba a kiürítéskor.

1. Állítsa le a terméket.
2. Vegye le a gyűjtőzsákat.
3. Fordítsa ki a gyűjtőzsákat, és távolítsa el az összegyűjtött tárgyakat.
4. Víztömlővel mossa le a gyűjtőzsákat.
5. Hagyja megszáradni a gyűjtőzsákat.
6. Szerelje be a gyűjtőzsákat.

Automatikus leállítási funkció

A termék automatikus leállítási funkciója leállítja a terméket, amikor az nincs használatban. A termék 1 perc után kikapcsol.

Karbantartás

Bevezető



FIGYELMEZTETÉS: Karbantartási munkák előtt el kell olvasnia és meg kell értenie a biztonságról szóló fejezetet.

Karbantartási terv



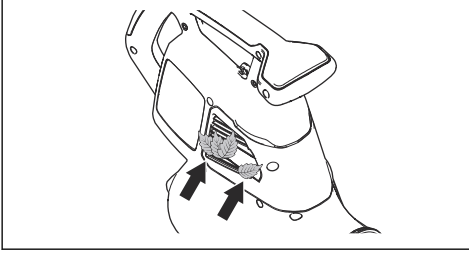
FIGYELMEZTETÉS: Karbantartási munkák előtt távolítsa el az akkumulátort.

Alább következik egy lista a termék karbantartásával kapcsolatos lépésekről.

Karbantartás	Naponta	Hetente	Havi
Tisztítsa meg a külső felületeket tiszta és száraz ruhával. Ne használjon vizet.	X		
A fogantyúkat tartsa szárazon, tisztán, olaj- és zsírmentesen.	X		
Ellenőrizze, hogy az indító-/leállító gomb megfelelően működik-e, illetve nem sérült-e.	X		
Győződjön meg arról, hogy a görgőtárcsa biztonságosan működik.	X		
Ellenőrizze, hogy az anyák és csavarok szorosan meg vannak-e húzva.	X		
Ellenőrizze, nem sérült-e az akkumulátor.	X		
	X		
Ellenőrizze, hogy működnek-e az akkumulátor kioldógombjai, és megfelelően rögzül-e az akkumulátor a termékben.	X		
Ellenőrizze az akkumulátortöltő épségét; győződjön meg arról, hogy megfelelően működik-e.	X		
Vizsgálja meg az összes szerelékét, csatlakozót és kábelt, hogy nem sérültek-e, és ellenőrizze, hogy nem szennyezettek-e.		X	
Ellenőrizze az akkumulátor és a termék, valamint az akkumulátor és a töltőkészülék közötti érintkezést.			X
Puha kefével tisztítsa meg a légáramlást biztosító nyílásokat (ne használjon csavarhúzózt).	X		
Távolítsa el és tisztítsa meg a fűvócsövet vagy a szívócsövet.	X		
Ürítse ki és tisztítsa meg a gyűjtőzsákokat. Lásd: <i>A gyűjtőzsák ürítése</i> 410. oldalon.	X		
Távolítsa el a fűvet, leveleket, szennyeződések és a nemkívánatos anyagokat a beömlőnyílásról és a beömlőnyílás fedeléről.	X		
Vizsgálja meg, hogy van-e szennyeződés a ventilátorlapáton, és szükség esetén tisztítsa meg egy tompa, hosszú tárggyal.	X		

A levegőbeömlő nyílás ellenőrzése

1. Győződjön meg arról, hogy a levegőbeömlő nyílás nincs-e eltömődve a termék oldalain.



2. Szükség esetén állítsa le a terméket, és távolítsa el a leveleket vagy nemkívánatos anyagokat.



VIGYÁZAT: A levegőbeömlő nyílás eltömődése csökkenti a termék fűvételjesítményét és növeli a motor üzemi hőmérsékletét. Ez

a motor túlmelegedésből adódó meghibásodásához vezethet.

Az akkumulátor és az akkumulátortöltő ellenőrzése

1. Ellenőrizze, hogy az akkumulátoron nem találhatók-e sérülések, például repedések.
2. Ellenőrizze, hogy az akkumulátortöltőn nem találhatók-e sérülések, például repedések.
3. Ellenőrizze, hogy az akkumulátortöltő csatlakozókábele nem sérült-e, és hogy nincs-e rajta repedés.

A termék, az akkumulátor és az akkumulátortöltő tisztítása

1. Használat után tisztítsa meg a terméket egy száraz ruhával.
2. Tisztítsa meg az akkumulátort és az akkumulátortöltőt egy száraz ruhával. Tartsa tisztán az akkumulátorvezető síneket.
3. Mielőtt a töltőkészülékbe vagy a termékbe helyezné az akkumulátort, gondoskodjon az akkumulátor és a töltő érintkezőinek tisztaságáról.

Hibaelhárítás

Felhasználói felület

Felhasználói felület	Lehetséges hibák	Lehetséges megoldás
Villog a piros hibajelző LED.	Hőmérséklet-ingadozás.	Hagyja lehűlni a terméket.
	A cső vagy a ventilátorburkolat el van távolítva.	Szerelje fel a csövet vagy a ventilátorburkolatot.
	Akkumulátorhiba.	Cserélje ki vagy töltsse fel az akkumulátort.
	Szervizelés szükséges.	Forduljon az illetékes szakszervizhez.
A termék nem indul.	Piszok került az akkumulátor-csatlakozóba.	Tisztítsa meg sűrített levegő vagy puha kefe segítségével.

Akkumulátor

LED-es kijelző	Lehetséges hibák	Lehetséges megoldás
Villog a zöld LED.	Alacsony akkumulátorfeszültség.	Töltse fel az akkumulátort.
Villog a hibajelző LED.	Hőmérséklet-ingadozás.	Az akkumulátort -10 °C (14 °F) és 40 °C (104 °F) közötti hőmérsékleten használja.
	Túl magas feszültség.	Ügyeljen arra, hogy a hálózati feszültség megegyezzen a termék feszültségével. Lásd a termék adattábláján. Vegye ki az akkumulátort a töltőből.
A hibajelző LED világítani kezd.	Túl nagy a cellák közötti különbség (1V).	Forduljon az illetékes szakszervizhez.

Akkumulátortöltő

Állapot	Lehetséges hibák	Lehetséges eljárás
A töltést jelző LED piros.	Maradandó akkumulátortöltő-hiba.	Forduljon márkakereskedőjéhez.
A töltést jelző LED zölden villog.	Hőmérséklet-ingadozás, az akkumulátor túl hideg vagy túl meleg a használatához vagy a töltéshez.	Hagyja lehűlni, vagy melegítse fel az akkumulátort. Ha az akkumulátor hőmérséklete megfelelő, ismét használható vagy tölthető. Az akkumulátortöltőt 5 °C (41 °F) és 40 °C (104 °F) közötti környezeti hőmérsékleten használja.
A töltést jelző LED pirosan villog.	Hibás akkumulátor	Forduljon márkakereskedőjéhez.

Szállítás, tárolás és ártalmatlanítás

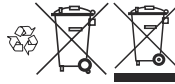
Szállítás és raktározás

- A mellékelt lítium-ion akkumulátorokra a veszélyes anyagokra vonatkozó jogszabályok követelményei érvényesek.
- Kereskedelmi szállításnál – harmadik fél és szállítmányozó cégek esetén is – a csomagolásra és címkézésre vonatkozó speciális előírásokat be kell tartani.
- A termék elküldése előtt forduljon egy veszélyes anyagok tekintetében szakképzett személyhez. Tartsa be az összes vonatkozó nemzeti előírást.
- Ha az akkumulátort becsomagolja, a szabadon álló érintkezőket le kell fedni ragasztószalaggal. Szorosan csomagolja be az akkumulátort, hogy az ne mozdulhasson el a csomagoláson belül.
- Mielőtt tárolásba helyezi a gépet, mindig várja meg, amíg lehűl.
- Tároláshoz vagy szállításhoz távolítsa el az akkumulátort.
- Helyezze az akkumulátort és az akkumulátortöltőt száraz, nedvesség- és fagymentes helyre.
- Ne tartsa az akkumulátort olyan helyen, ahol elektrosztatikus töltés lehet jelen. Ne tartsa az akkumulátort fém dobozban.
- Helyezze az akkumulátort közvetlen napfénytől védett helyre, ahol a hőmérséklet 5 °C (41 °F) és 25 °C (77 °F) között van.
- Helyezze az akkumulátortöltőt közvetlen napfénytől védett helyre, ahol a hőmérséklet 5 °C (41 °F) és 45 °C (113 °F) között van.

- Az akkumulátortöltőt csak 5 °C (41 °F) és 40 °C (104 °F) közötti környezeti hőmérséklet mellett használja.
- Hosszú ideig való tárolás előtt tölts fel az akkumulátort 30–50%-ra.
- Az akkumulátortöltőt száraz, zárt helyen tárolja.
- A tárolás során tartsa távol az akkumulátort az akkumulátortöltőtől. Ügyeljen arra, hogy gyermekek és más jogosulatlan személyek ne érhessenek a berendezéshez. A berendezést kulccsal zárható helyen tárolja.
- A hosszú ideig való tárolás előtt tisztítsa meg a terméket, és végezze el annak teljes karbantartását.
- A sérülések és a termék károsodásának elkerülése érdekében szállításkor és tároláskor használja a terméken található szállítási biztosítószervezetet.
- Szállításkor rögzítse biztosan a terméket.

egy elektromos és elektronikus berendezések újrahasznosítására szolgáló ponton kell elvégezni. Ez elősegíti a környezetre és a személyekre gyakorolt káros hatások megelőzését.

További információkért forduljon a helyi hatóságokhoz, hulladékártalmatlanítási szolgáltatást végző vállalkozáshoz vagy kereskedőjéhez.



Megjegyzés: A szimbólum a terméken vagy annak csomagolásán található.

Az akkumulátor, az akkumulátortöltő és a termék ártalmatlanítása

Az alábbi szimbólum azt jelzi, hogy a termék nem minősül háztartási hulladéknak. Újrahasznosítását

Műszaki adatok

Műszaki adatok

	120IBV
Motor	
Motortípus	BLDC (kefe nélküli) 36 V
Tömeg	
Tömeg akkumulátor nélkül, kg	4,6
Zajkibocsátás ⁶⁷	
Hangteljesítményszint, mért dB (A) érték	97
Hangteljesítményszint, garantált, L _{WA} dB (A)	100
Zajszintek ⁶⁸	
A kezelő hallószervére gyakorolt, EN ISO 11203 és ISO 22868 szerint mért hangnyomásszint, dB (A):	84
Rezgésszintek ⁶⁹	

⁶⁷ A környezetben a 2000/14/EK sz. EK irányelvvel összhangban hangteljesítményként mért zajkibocsátás (L_{WA}). A gép jelentésben szereplő hangteljesítményszintjét a legmagasabb szintet produkáló eredeti vágófel-szereléssel mérték. A garantált és a mért hangteljesítmény közötti különbségnek az az oka, hogy a garantált hangteljesítmény tartalmazza a mérési eredményben lévő ingadozást és az azonos modellű gépek közti eltéréseket is a 2000/14/EK jelű irányelv értelmében.

⁶⁸ A gép ekvivalens hangnyomásszintjére vonatkozó jelentési adatok a 3 dB (A) tipikus statisztikus ingadozásával (szórásával) rendelkeznek.

⁶⁹ A rezgésszintre vonatkozó jelentési adatok az 1,5 m/s² tipikus statisztikus ingadozásával (szórásával) rendelkeznek.

	120iBV
Az ISO 22867 szerint mért rezgésszintek az elülső/hátsó fogantyúban, m/s ²	1,4/1,7
Ventilátor teljesítménye	
Légáram normál üzemmódban, normál fűvókával, m ³ /perc	6,7
Maximális légsebesség normál üzemmódban, normál fűvókával, m/s / mph	50/111

A zaj- és vibrációadatok a legnagyobb névleges sebesség alapján kerülnek meghatározásra.

Jóváhagyott akkumulátorok

Kizárólag eredeti Husqvarna 40-B akkumulátort használjon a termékhez.

Jóváhagyott akkumulátorok

Akkumulátor	40-B140
Típus	Lítium-ion
Akkumulátor kapacitása, Ah	4
Névleges feszültség, V	36
Tömeg, kg	1,25

Jóváhagyott akkumulátortöltők

Akkumulátortöltő	40-C80
Hálózati feszültség, V	100–240
Frekvencia, Hz	50–60
Tejlesítmény, W	72
Kimeneti feszültség, V, egyenáram/ amper, A	43/1,6

Megfelelőségi nyilatkozat

EU megfelelési nyilatkozat

A **Husqvarna AB**, SE-561 82 Huskvarna, SVÉDORSZÁG (tel.: +46-36-146500), a saját felelősségére kijelenti, hogy a termék:

Leírás	Kézi kerti fűvó-/szívókészülék
Márka	Husqvarna
Típus/modell	120iBV
Megjelölés	2022-es és újabb sorozatszámok

teljes mértékben megfelelnek a következő EU-irányelveknek és szabályozásoknak:

Szabályozás	Leírás
2006/42/EK	„gépre vonatkozó”
2014/30/EU	„elektromágneses megfelelésre vonatkozó”
2011/65/EU	„az egyes veszélyes anyagok elektromos és elektronikus berendezésekben való alkalmazásának korlátozására vonatkozó”
2000/14/EK	„környezeti zajkibocsátásra vonatkozó”

valamint hogy az alábbi szabványok és/vagy műszaki előírások kerültek alkalmazásra: EN 60335-1:2012+A11+A13+A14+A2+A15, EN 50636-2-100:2014, EN IEC 63000:2018, EN ISO 12100:2010, EN IEC 55014-1:2021; EN IEC 55014-2:2021

A 2000/14/EK irányelv V. mellékletének megfelelően, lásd *Műszaki adatok 414. oldalon* a deklarált zajértékeket.

Huskvarna, 2023-01-16



Claes Losdal, K+F menedzser, Husqvarna AB

A műszaki dokumentációk felelőse

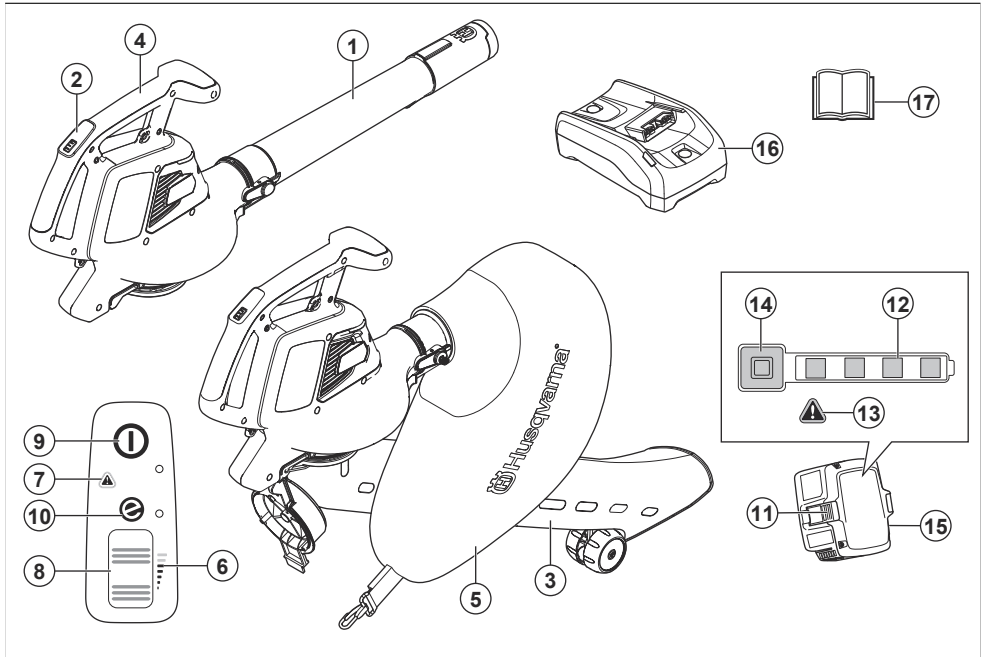


Зміст

Вступ.....	417	Усунення несправностей.....	431
Безпека.....	419	Транспортування, зберігання й утилізація.....	432
Збирання.....	424	Технічні характеристики.....	433
Експлуатація.....	427	Декларація відповідності.....	435
ТЕХНІЧНЕ ОБСЛУГОВУВАННЯ.....	429		

Вступ

Огляд виробу



1. Труба повітродува
2. Кнопкова панель
3. Всмоктувальна труба
4. Ручка
5. Мішок
6. Індикатор витрати повітря
7. Індикатор попередження (світлодіод помилки)
8. Коліщатко регулювання потужності
9. Кнопка Start/stop
10. Індикатор режиму SavE
11. Кнопка для виймання акумулятора
12. Стан акумулятора
13. Індикатор попередження (світлодіод помилки)
14. Індикатор живлення й індикатор попередження
15. Акумулятор, що входить тільки до комплекту повітродува Husqvarna 120iBV
16. Зарядний пристрій, що входить тільки до комплекту повітродува Husqvarna 120iBV
17. Посібник користувача

Опис виробу

Husqvarna 120iBV є моделлю садового повітродува / пилососа, оснащеного електродвигуном.

Наша компанія дотримується політики, що передбачає постійне вдосконалення продукції, тому ми залишаємо за собою право змінювати дизайн

і зовнішній вигляд виробів без попереднього сповіщення.

Призначення

Режим повітродува. Повітродув призначений для здування бруду або скошеної трави з доріжок, під'їзних доріг, дворів тощо. Він також призначений для здування скошеної трави, соломи або листя в купи або видалення частинок бруду з кутів, швів або щілин між плиткою чи цеглою.

Режим пилососа. Пилосос призначений для всмоктування сухих матеріалів. Зокрема, листя, трави, маленьких гілочок і шматочків паперу.

Символи на виробі



УВАГА! Цей виріб може бути небезпечним і здатний спричинити тяжкі травми або смерть оператора чи сторонніх осіб. Будьте обережні й використовуйте виріб належним чином.



Перед використанням виробу уважно прочитайте посібник користувача й переконайтеся в тому, що ви зрозуміли наведені в ньому вказівки.



Користуйтеся відповідними засобами захисту очей.

V

Номінальна напруга, В



Постійний струм.



Етикетка з інформацією щодо шумових викидів у навколишнє середовище відповідно до вимог директив і нормативних актів ЄС і Сполученого Королівства та Закону про збереження навколишнього середовища (контроль шуму) 2017 р. Нового Південного Уельсу. Гарантований рівень звукової потужності виробу вказано в розділі *Технічні характеристики на сторінці 433* і на етикетці.



Перш ніж проводити технічне обслуговування, від'єднайте акумулятор.



Цей виріб і його пакування не можна утилізувати разом із побутовими відходами. Утилізацію необхідно проводити на підприємстві з переробки відходів електричного й електронного обладнання.



Виріб відповідає належним вимогам директив ЄС.



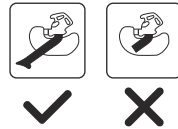
Цей виріб відповідає вимогам застосовних норм Сполученого Королівства.



Захищайте від дощу.



Після вимкнення виробу зачекайте, поки лопаті ротора зупиняться.



Коли труба повністю зібрана, використовуйте виріб лише в режимі пилососа.



Оператор повітродува має подбати, щоб у радіусі 15 метрів навколо нього не було людей і тварин. Якщо в одному місці працюють кілька операторів, вони мають перебувати на відстані не менше 15 м один від одного. Повітря з повітродува може відбиватися від предметів. За відсутності засобів захисту це може призвести до тяжкого пошкодження очей

yyyy wwwwxxx

На табличці з паспортними даними вказано серійний номер. **yyyy** – це рік виготовлення, а **www** – тиждень виробництва.

Зверніть увагу: Інші позначення на насадці стосуються спеціальних сертифікатів для певних країн чи регіонів.

Позначення на акумуляторі та/або на зарядному пристрої



Утилізацію виробу необхідно проводити на підприємстві з переробки відходів електричного й електронного обладнання. (Лише для країн Європи)



Захисний ізолюючий трансформатор.



Зарядний пристрій слід використовувати й зберігати лише в приміщенні.



Подвійна ізоляція.

Виробник

Husqvarna AB

Drottninggatan 2, SE-561 82 Huskvarna

Пошкодження виробу

Ми не несемо відповідальності за пошкодження, якщо:

- виріб було неправильно відремонтовано;
- виріб було відремонтовано із використанням деталей, виготовлених не виробником або не затверджених ним;
- виріб обладнано аксесуаром, виготовленим не виробником або не затвердженим ним;
- виріб було відремонтовано в неавторизованому сервісному центрі або неавторизованою компанією;

Безпека

Визначення щодо правил безпеки

Попередження, застереження та примітки служать для наголошення на особливо важливих положеннях посібника користувача.



ПОПЕРЕДЖЕННЯ: Вказує на те, що в разі порушення інструкцій, наведених у цьому посібнику, існує небезпека поранення або смерті оператора чи інших осіб, що знаходяться поруч.



УВАГА: У разі порушення інструкцій, наведених у цьому посібнику, існує небезпека пошкодження виробу та / або насадки, інших матеріалів або навколишніх об'єктів.

Зверніть увагу: Використовується для надання додаткової інформації щодо певної ситуації.

Загальні правила техніки безпеки



ПОПЕРЕДЖЕННЯ: Перш ніж розпочати використання виробу, уважно прочитайте наведені нижче попередження.

- Уважно прочитайте інструкції, щоб знати елементи керування та належні умови роботи інструмента. За неправильного або необережного використання виріб може становити небезпеку й спричинити серйозні або навіть смертельні травми оператора чи сторонніх осіб.
- За жодних обставин не змінюйте конструкцію виробу без дозволу виробника. Ніколи не користуйтеся виробом, у конструкцію якого було внесено будь-які зміни, і завжди використовуйте оригінальні приладдя. Застосування недозволених модифікацій та/або приладдя може призвести до серйозної чи смертельної травми користувача чи інших осіб. Гарантія на виріб не розповсюджується на пошкодження чи відповідальність через використання несертифікованих аксесуарів чи запчастин.
- Під час роботи цього виробу утворюється електромагнітне поле. Це поле може за деяких умов взаємодіяти з активними чи пасивними медичними імплантатами. Щоб зменшити ризик тяжких або смертельних травм, рекомендуємо особам із медичними імплантатами проконсультуватися зі своїм лікарем і виробником медичного імплантату перед початком експлуатації цього виробу.
- Під час заряджання необхідно виймати акумулятор із виробу.

Загальні правила безпеки при роботі з електроінструментами

Перевірка перед пуском

- Перевірте робочу зону. Видаліть усі окремі незакріплені предмети, що можуть розлітатися під дією повітродува, такі як каміня, розбите скло, цвяхи, металеві дроти, мотузки тощо.
- Завжди виймайте акумулятор, щоб уникнути випадкового вмикання інструмента. Завжди від'єднуйте акумулятор перед виконанням технічного обслуговування інструмента.
- Перед тим, як користуватися інструментом, та після того, як він зазнав будь-якого удару, перевірте його на ознаки зношеності чи пошкодження й відремонтуйте в разі потреби.
- Використовуйте лише оригінальні запасні частини.
- Під час роботи в радіусі 15 метрів від користувача не повинно бути людей чи тварин. Коли декілька користувачів працюють в одному місці, безпечна відстань між ними має бути принаймні 15 метрів.
- Перед початком експлуатації проведіть загальний огляд машини (див. графік технічного обслуговування й ремонту).
- Дотримуйтеся вимог національних чи місцевих документів, що стосуються поводження з пристроєм.

Особиста безпека

- **Будьте пильними, слідкуйте за тим, що робите та дотримуйтеся правил здорового глузду під час експлуатації електроінструмента. Не використовуйте електроінструмент, коли ви стомлені або перебуваєте під впливом наркотиків, алкоголю або лікарських засобів.** Втрата уваги на мить під час експлуатації електроінструмента може призвести до серйозної травми.
- Не підпускайте сторонніх осіб.
- Цей виріб не призначений для експлуатації особами (зокрема, дітьми) з обмеженими фізичними, сенсорними або психічними можливостями або тими, які не мають досвіду та знань, хіба що вони користуються виробом під наглядом відповідальної за їхню безпеку особи або належним чином проінструктовані нею. Необхідно наглядати за дітьми, щоб вони не гралися з цим приладом.
- Ніколи не дозволяйте користуватися виробом дітям або людям, які не ознайомилися з цими інструкціями. Вік оператора може обмежуватися місцевими нормами.
- Тримайте сторонніх людей на безпечній відстані. Діти, тварини, спостерігачі й помічники повинні перебувати за межами зони безпеки, що становить 15 метрів (50 футів). Негайно вимкніть інструмент, якщо хтось підійде.

- Зберігайте обладнання в закритому місці, недоступному для дітей і сторонніх осіб.
- Заборонено використовувати інструмент на брукуванні чи грав'ї, оскільки виліт камінців може спричинити травми.
- При експлуатації інструмента завжди надягайте міцне взуття та довгі штани. Не використовуйте виріб босоніж або у відкритих сандалях. Не надягайте для роботи одяг, який нещільно прилягає до тіла або має елементи, що вільно звисають.
- Не надягайте просторий одяг або прикраси, які можуть потрапити в повітрязабірник. Пильнуйте, щоб довге волосся не потрапило в повітрязабірники.
- Ніколи не користуйтеся інструментом, якщо ви втомлені, вживали спиртні напої чи приймаєте ліки, що здатні вплинути на зір, судження чи координацію рухів.
- Використовуйте засоби індивідуального захисту. Дивіться інструкції під заголовком «Засоби індивідуального захисту».
- Завжди виймайте акумулятор, якщо передаєте інструмент іншій особі.
- Пам'ятайте, що саме ви, користувач, є відповідальним за те, щоб люди та їхнє майно не наражалися на небезпеку та не страждали від нещасних випадків.

Експлуатація та догляд за електроінструментом

- Ніколи не користуйтеся інструментом, у конструкцію якого були внесені будь-які зміни. Заборонено користуватися інструментом поблизу від вибухонебезпечних або вогненебезпечних матеріалів.
- Забороняється користуватися несправним пристроєм. Дотримуйтеся вимог із техніки безпеки та вказівок із технічного обслуговування, наведених у цьому посібнику. Деякі операції технічного обслуговування мають виконувати лише кваліфіковані фахівці. Див. інструкції під заголовком «Технічне обслуговування».
- Використовуйте лише оригінальні запасні частини.
- Не допускайте засмічення вентиляційних отворів.
- До початку роботи потрібно встановити усі кришки, захисні кожухи та ручки.
- Використовуйте інструмент тільки при денному світлі або за інших умов доброго освітлення.
- Не користуйтеся виробом у погану погоду, зокрема в густий туман, дощ, сильний вітер, за низької температури, у місцях із високою вологістю, якщо є ризик блискавки тощо. Дуже спекотна погода може викликати перегрів інструмента. Робота в погану погоду втомлює, а також є небезпечнішою, наприклад через ризик підсковзнутися на слизькій поверхні.

- Якщо інструмент починає незвично вібрувати, необхідно зупинити його та вийняти батарею.
- Пересувайтеся повільно, ніколи не біжіть.

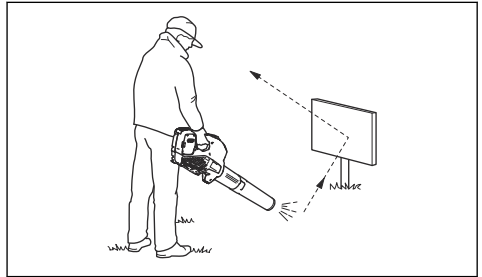
Правила техніки безпеки під час використання виробу



ПОПЕРЕДЖЕННЯ: Перш ніж розпочати використання виробу, уважно прочитайте наведені нижче попередження.

- Якщо виникне ситуація, коли ви не певні щодо своїх подальших дій, слід спитати поради у фахівця. Зв'яжіться з продавцем або центром обслуговування. Намагайтеся не робити того, що, на вашу думку, ви зробити не в змозі.
- Переконайтеся, що ви можете безпечно стояти й рухатися. Перевірте, чи немає навколо можливих перешкод (коріння, каміння, гілок, ровів тощо) на випадок, якщо треба буде різко переміститися. Будьте дуже уважні, працюючи на схилах.
- Завжди зберігайте рівновагу й стійке положення. Не тягніться.
- Працюючи в захисних навушниках, прислухайтеся до попереджувальних сигналів і окликів. Коли виріб зупиниться, одразу зніміть захисні навушники.
- Не використовуйте виріб біля відкритих вікон.
- Виявляйте повагу до людей, що живуть поблизу – не використовуйте виріб пізно ввечері чи рано вранці. Дотримуйтеся місцевих норм і законів.
- Використовуйте виріб на мінімально необхідній потужності. Максимальна потужність потрібна нечасто, і більшість робочих процедур можна виконувати на середній потужності. Що меншу встановлено потужність, то менше виріб створює шуму й менше пилу піднімає. Крім того, у цьому випадку легше контролювати переміщення/збирання сміття.
- У разі використання виробу в умовах запиленості зволожите поверхню.
- Сміття, що пристало до землі, прибирайте за допомогою граблів або щітки.
- Тримайте отвір повітродува максимально близько до землі.
- Пильнуйте, що відбувається довкола. Не спрямовуйте виріб у бік осіб, тварин, дитячих майданчиків, автомобілів тощо.
- Зменшуйте тривалість роботи, змочуючи невеликою кількістю води пильні ділянки або використовуючи обладнання для розпилення.
- Стежте за напрямком вітру. Ставайте за напрямком вітру.
- Якщо виріб починає незвично вібрувати, зупиніть його й вийміть акумулятор.
- Переміщення за допомогою повітродува великих куп потребує багато часу та створює зайвий шум.

- Прибирайте після роботи. Переконайтеся, що ви не задули сміття в чужий сад.
- Не бігайте з виробом.
- Потужні струмені повітря здатні переміщувати предмети з такою швидкістю, що ті можуть відскочити від поверхонь і спричинити серйозні пошкодження очей.



- Не спрямовуйте струмінь повітря в бік людей чи тварин.
- Перш ніж установлювати або знімати аксесуари чи інші компоненти, зупиніть двигун.
- Не торкайтеся гарячих поверхонь.
- Класти працюючий виріб на землю можна лише за умови, що його добре видно.
- Зупиніть виріб і вийміть акумулятор. Переконайтеся, що всі рухомі деталі зупинилися:
 - коли залишаєте інструмент без нагляду;
 - перш ніж усувати різноманітні засмічення або очищувати жолоб;
 - перш ніж перевіряти, чистити інструмент або працювати з ним.
- Якщо механізм для різання натрапить на сторонні предмети або якщо інструмент почне видавати незвичайний шум або вібрацію, негайно вимкніть джерело живлення та повністю зупиніть виріб. Перед повторним запуском і експлуатацією інструмента від'єднайте від нього акумулятор й виконайте такі кроки:
 - перевірте інструмент на наявність пошкоджень;
 - замініть або відремонтуйте будь-які пошкоджені деталі;
 - перевірте та затягніть будь-які ослаблені деталі.
- У разі засмічення сторонніми речовинами перш ніж очищувати виріб, вимкніть джерело живлення та від'єднайте акумулятор.
- Не транспортуйте цей інструмент, якщо джерело живлення ввімкнене.
- Не нахиляйте інструмент, коли джерело живлення ввімкнене.

- Повітродув заборонено використовувати, стоячи на драбині чи риштуванні.



- Не користуйтеся виробом, якщо в разі нещасного випадку у вас не буде можливості покликати на допомогу.
- Остерігайтеся предметів, що відскакують. Каміння, сміття тощо може відскочити й потрапити в очі, спричинивши сліпоту чи серйозну травму.
- Під час заряджання виробу використовуйте пристрій захисного вимкнення (ПЗВ) для підвищення безпеки. Пристрій захисного вимкнення встановлюється для захисту оператора від ураження електричним струмом.
- Цей виріб відзначається низьким вібраційним навантаженням. У людей, які мають погіршений кровообіг, надмірна вібрація може призвести до пошкодження нервової системи або системи кровообігу. Якщо у вас проявляються симптоми надмірного впливу вібрації, зверніться до лікаря. До таких симптомів належать: оніміння, утрата чутливості, пощипування, поколювання, занепад сил, зміни кольору або стану шкіри. Як правило, ці симптоми проявляються в пальцях, руках і зап'ястях.
- Використовуйте виріб тільки за призначенням.
- Неможливо передбачити в посібнику всі ситуації, які можуть виникнути під час використання пристрою. Завжди будьте обережні та керуйтеся здоровим глуздом. Уникайте завдань, які виходять за межі ваших можливостей. Якщо після ознайомлення з інструкціями у вас усе ще залишається сумнів щодо процедур використання інструмента, перед продовженням необхідно проконсультуватися зі знавцем.

Засоби індивідуального захисту

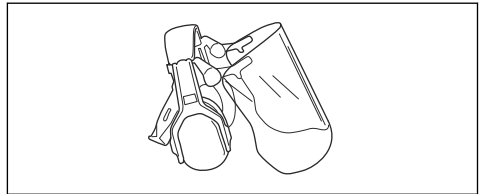


ПОПЕРЕДЖЕННЯ: Перш ніж розпочати використання виробу, уважно прочитайте наведені нижче попередження.

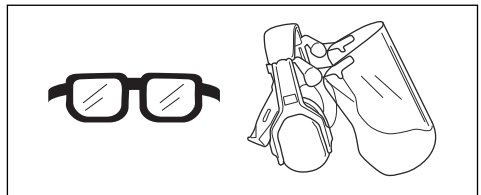
- Під час роботи з виробом завжди використовуйте сертифіковані засоби індивідуального захисту. Засоби індивідуального захисту не можуть повністю усунути небезпеку травмування, але в разі нещасного випадку знизять ступінь тяжкості

травми. Дозвольте дилеру допомогти вам із вибором підходящого обладнання.

- Тривала робота в умовах сильного шуму може призвести до порушень слуху. Загалом акумуляторні вироби відносно тихі, однак поєднання рівня шуму та тривалого використання може призвести до погіршення слуху. У разі тривалого використання виробу компанія рекомендує операторам використовувати захисні навушники. Оператори, які використовують виріб довго та постійно, повинні регулярно перевіряти свій слух. Зверніть увагу, що захисні навушники обмежують здатність чути звуки й попереджувальні сигнали.



- Користуйтеся відповідними засобами захисту очей. У разі використання захисної маски необхідно додатково вдягати схвалені захисні окуляри. Схвалені захисні окуляри повинні відповідати стандарту ANSI Z87.1 у США чи EN 166 у країнах ЄС.



- Використовуйте одяг, виготовлений із міцної тканини. Завжди використовуйте довгі штани з міцної тканини й сорочку з довгими рукавами. Уникайте надто просторого одягу, який може зачепитися за сучки або гілки. Не надягайте на час роботи прикраси, короткі штани, сандалії, а також не ходіть босоніж. Заколюйте волосся вище рівня плечей.
- Тримайте під рукою аптечку.



- За наявності пилу слід використовувати респиратор.

Запобіжне обладнання на виробі

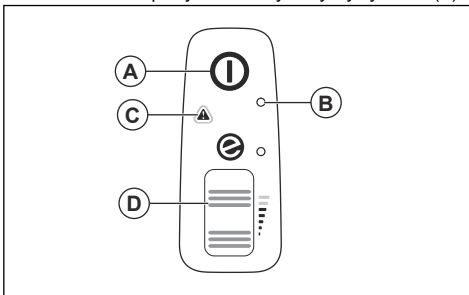


ПОПЕРЕДЖЕННЯ: Перш ніж розпочати використання виробу, уважно прочитайте наведені нижче попередження.

- У цьому розділі описано засоби безпеки виробу, його призначення, а також порядок виконання перевірок і технічного обслуговування, необхідний для забезпечення його правильної роботи. Див. інструкції в розділі *Огляд виробу на сторінці 417* щодо розташування цих деталей на виробі.
- Термін служби виробу може зменшитись, а небезпека виникнення нещасних випадків збільшиться, якщо його технічне обслуговування виконується неправильно або якщо обслуговування та / або ремонт виконуються непрофесійно. Для отримання додаткової інформації зверніться до найближчого сервісного дилера.
- Не використовуйте виріб із пошкодженими елементами захисту. Захисне обладнання виробу потрібно перевіряти й здійснювати його технічне обслуговування згідно з указівками, поданими в цьому розділі. Якщо виріб не відповідає хоча б одній із вимог перевірки, зверніться до центру обслуговування для ремонту.
- Для обслуговування та ремонту виробу потрібна спеціальна підготовка. Зокрема, це стосується захисного обладнання виробу. Якщо виріб не відповідає принаймні одній з наведених нижче вимог перевірки, зверніться до центру обслуговування. Купуючи будь-який наш виріб, ви отримуєте гарантію на професійний ремонт та обслуговування. Якщо дилер, у якого ви купуєте виріб, не надає послуг з обслуговування, дізнайтеся в нього, де розташовано найближчий центр обслуговування.

Перевірка клавішної панелі

1. Натисніть і втримуйте кнопку запуску/зупинки (A).



- a) Коли світлодіодний індикатор (B) горить, це означає, що виріб увімкнено.
- b) Коли світлодіодний індикатор (B) не горить, це означає, що виріб вимкнено.

2. Дивіться розділ *Інтерфейс користувача на сторінці 431* якщо горить або блимає індикатор попередження (C).
3. Натисніть і відпустіть коліщатко регулювання потужності (D), щоб переконатися, що воно рухається вільно.

Заходи безпеки під час роботи з акумуляторами



ПОПЕРЕДЖЕННЯ: Перш ніж розпочати використання виробу, уважно прочитайте наведені нижче попередження.

- Використовуйте у виробі лише рекомендовані нами акумулятори серії 40-B. Дивіться розділ *Схвалені акумулятори на сторінці 434*. Акумулятори програмно закодовані.
- Використовуйте лише акумулятори серії 40-B для живлення відповідних виробів Husqvarna. Щоб уникнути травмування, заборонено використовувати акумулятор як джерело живлення для інших приладів.
- Небезпека враження електричним струмом. Заборонено під'єднувати клеми акумулятора до ключів, гвинтів або інших металевих предметів. Це може призвести до короткого замикання в акумуляторі.
- Не використовуйте елементи живлення без можливості перезарядження.
- Заборонено вставляти предмети у вентиляційні отвори акумулятора.
- Тримайте акумулятор подалі від прямих сонячних променів, джерел тепла й відкритого вогню. Акумулятор може призвести до опіків та/або хімічних опіків.
- Бережіть акумулятор від дощу та вологи.
- Захищайте акумулятор від впливу мікрохвиль чи високого тиску.
- Заборонено розбирати чи ламати акумулятор.
- Акумулятор дозволяється використовувати за температури від -10°C (14°F) до 40°C (104°F).
- Заборонено мити батарею чи заряджальний пристрій водою. Дивіться розділ *Чищення виробу, акумулятора й зарядного пристрою на сторінці 431*.
- Не використовуйте несправний чи пошкоджений акумулятор.
- Зберігайте акумулятори подалі від металевих предметів на кшталт цвяхів, гвинтів чи ювелірних виробів.
- Тримайте акумулятор подалі від дітей.

Заходи безпеки під час роботи із зарядним пристроєм



ПОПЕРЕДЖЕННЯ: Перш ніж розпочати використання виробу, уважно прочитайте наведені нижче попередження.

- Через недотримання правил техніки безпеки може виникнути ризик ураження електричним струмом або короткого замикання.
- Заборонено використовувати будь-які інші зарядні пристрої, окрім того, яким комплектується виріб. Для заряджання змінних акумуляторів Husqvarna 40-B140 використовуйте лише зарядні пристрої 40-C80. Дивіться розділ *Сертифіковані зарядні пристрої на сторінці 434* і *Схвалені акумулятори на сторінці 434*.
- Заборонено розбирати зарядний пристрій.
- Не використовуйте зарядний пристрій із ознаками пошкодження.
- Заборонено підіймати зарядний пристрій, тримаючи його за шнур живлення. Щоб від'єднати зарядний пристрій від настінної розетки, витягніть штепсельну вилку. У жодному разі не тягніть за шнур живлення.
- Пильнуйте, щоб усі кабелі та подовжувальні шнури були якомога далі від води, оливи й гострих кутів. Переконайтеся в тому, що кабелі не здавлено сторонніми предметами, наприклад дверима, огорожею або аналогічними предметами.
- Заборонено використовувати зарядний пристрій поблизу легкозаймистих або корозійних матеріалів. Переконайтеся в тому, що зарядний пристрій нічим не накритий. При появі диму чи вогню витягніть штепсель зарядного пристрою з розетки.
- Заряджати акумулятор слід тільки в добре провітрюваних приміщеннях та подалі від сонячного світла. Не заряджайте акумулятор надворі. Не заряджайте акумулятор у вологому середовищі.
- Використовуйте зарядний пристрій лише в приміщеннях із температурою від 5 °C (41 °F) до 40 °C (104 °F). Використовуйте зарядний пристрій лише в сухому приміщенні з належною вентиляцією, в якому немає пилу.
- Забороняється вставляти предмети у вентиляційні отвори зарядного пристрою.

- Заборонено з'єднувати контакти зарядного пристрою металевими предметами, оскільки це може призвести до короткого замикання.
- Використовуйте справні розетки відповідного типу. Переконайтеся в тому, що шнур зарядного пристрою не пошкоджено. Якщо використовуються подовжувачі, переконайтеся в тому, що вони не пошкоджені.

Правила техніки безпеки під час обслуговування



ПОПЕРЕДЖЕННЯ: Перш ніж розпочати технічне обслуговування виробу, уважно прочитайте наведені нижче попередження.

- У разі обслуговування, перевірки, зберігання чи заміни приладдя, дайте інструменту охолонути, перш ніж виконувати будь-які перевірки, регулювання тощо. Під час обслуговування інструмента будьте обережні та не забруднюйте його.
- Перед технічним обслуговуванням, іншими перевірками чи монтажем виробу необхідно виймати акумулятор.
- Оператор має виконувати лише ті види технічного обслуговування, що описані в цьому посібнику користувача. Якщо потрібно виконати складніші роботи з технічного обслуговування чи ремонту, зверніться до сервісного дилера.
- Усі гайки, болти та гвинти мають бути міцно затягнуті, щоб виріб був у безпечному робочому стані.
- Замініть зношені або пошкоджені деталі.
- Відсутність технічного обслуговування зменшує термін служби виробу й підвищує вірогідність виникнення нещасних випадків.
- Для виконання робіт з обслуговування й ремонту, особливо в разі роботи із захисними пристроями виробу, необхідна спеціальна підготовка. Якщо після технічного обслуговування виріб пройде не всі перевірки, наведені в цьому посібнику користувача, зверніться до сервісного дилера. Ми гарантуємо можливість професійного ремонту й обслуговування вашого виробу.
- Використовуйте лише оригінальні запасні частини.

Збирання

Режим повітродува



ПОПЕРЕДЖЕННЯ:

Під час обертання лопатей ротора або в разі випадкового запуску виробу існує ризик отримання різаної травми. Перш ніж збирати виріб, вийміть акумулятор та зачекайте, поки лопаті ротора зупиняться.

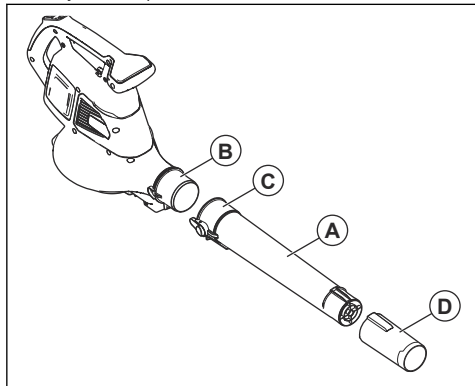


ПОПЕРЕДЖЕННЯ: Перед використанням виробу в режимі повітродува повністю зберіть трубу повітродува та кришку всмоктувача.

Збирання труби повітродува

Зверніть увагу: Якщо трубу повітродува зібрано неправильно, запобіжний вимикач не дасть запустити виріб.

1. Уставте трубу повітродува (А) у випускний отвір (В). Механізм блокування (С) спрацює, коли ви почуєте клацання.

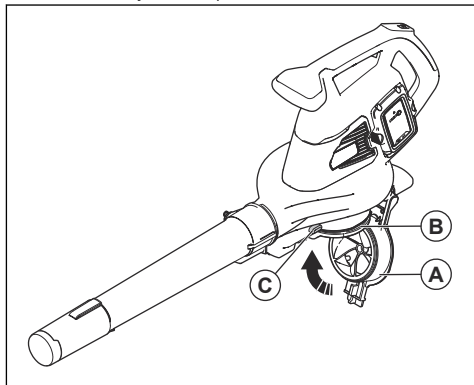


2. Установіть насадку повітродува (D) на трубу повітродува. Насадка фіксується з клацанням.

Монтаж кришки всмоктувача

Зверніть увагу: Якщо кришку всмоктувача встановлено неправильно, запобіжний вимикач не дасть запустити виріб.

- Закрийте кришку всмоктувача (А) на випускному отворі (В). Механізм блокування (С) спрацює, коли ви почуєте клацання.



Режим пилососа



ПОПЕРЕДЖЕННЯ: Перед використанням виробу в режимі пилососа повністю зберіть всмоктувальну трубу та мішок.

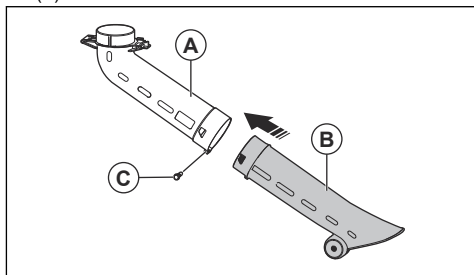
Збирання всмоктувальної труби



ПОПЕРЕДЖЕННЯ: Перед початком роботи зберіть верхню та нижню всмоктувальні труби.

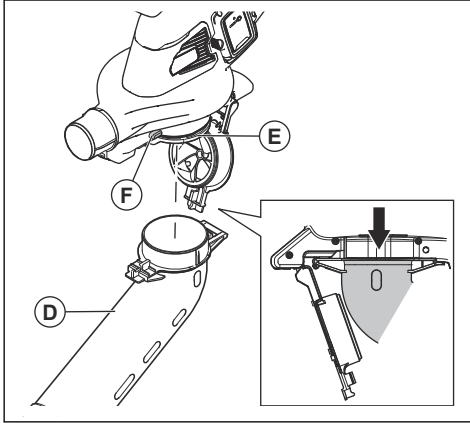
Зверніть увагу: Якщо всмоктувальну трубу зібрано неправильно, запобіжний вимикач не дасть запустити виріб.

1. Сумістіть прорізи на верхній всмоктувальній трубі (А) з виступами на нижній всмоктувальній трубі (В).



2. Вставте нижню всмоктувальну трубу у верхню всмоктувальну трубу, доки не почуєте клацання.
3. Затягніть гвинт (С).

- Установіть всмоктувальну трубу (D) у впускний отвір (E). Клацання свідчить, що блокувальний механізм (F) задіяно.



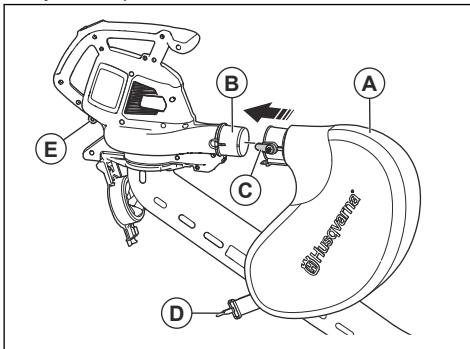
Установлення мішка

Зверніть увагу: Якщо мішок установлено неправильно, запобіжний вимикач не дасть запустити виріб.

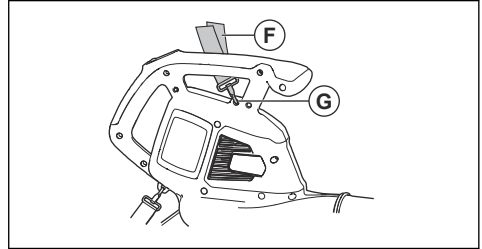


ПОПЕРЕДЖЕННЯ: Перш ніж установлювати чи знімати мішок, зупиніть інструмент.

- Якщо на виробі встановлена труба повітродува, зніміть її.
- Уставте мішок (A) на всмоктувальний отвір (B). Блокувальний механізм (C) спрацює, коли ви чуєте клацання.



- З'єднайте ремінь мішка (D) із фіксатором (E).
- З'єднайте плечовий ремінь (F) із фіксатором (G).



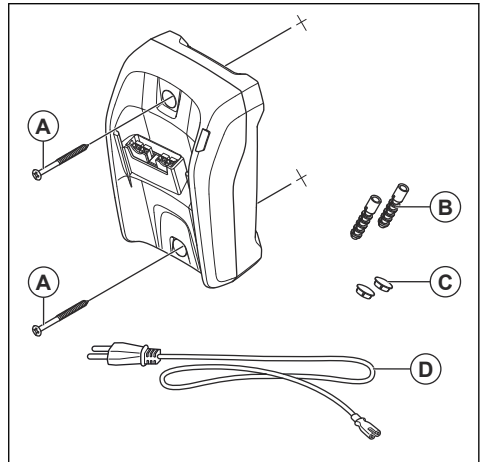
- Упевніться, що мішок повністю закритий.

Монтаж заряджального пристрою на стіні



УВАГА: Не використовуйте електричний шурупверт для закріплення зарядного пристрою на стіні. Електричний шурупверт може пошкодити зарядний пристрій.

- Прикріпіть зарядний пристрій до стіни 2 гвинтами (A). Якщо треба, скористайтеся дюбелями (B).



- Встановіть 2 заглушки для гвинтових отворів (C).
- Під'єднайте кабель живлення (D) до зарядного пристрою й електричної розетки.

Експлуатація

Вступ



ПОПЕРЕДЖЕННЯ: Перед використанням виробу уважно прочитайте розділ про правила техніки безпеки.

заряджального пристрою та усвідомте його зміст.

Дотримуйтеся вимог щодо температури навколишнього середовища для акумулятора й заряджального пристрою.

Робоча перевірка перед початком використання виробу

1. Перевірте повітрязабірник на наявність бруду й тріщин. За допомогою щітки зчистьте з виробу траву й листя.
2. Переконайтесь, що виріб працює належним чином.
3. Перевірте всі гайки й гвинти та переконайтесь, що вони добре затягнуті.

Акумулятор

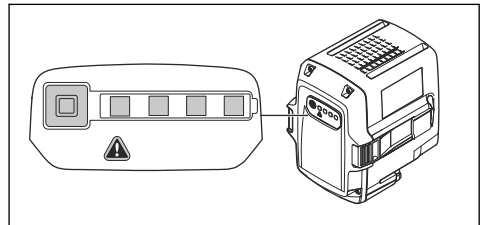


ПОПЕРЕДЖЕННЯ: Перед використанням акумулятора уважно прочитайте розділ про правила техніки безпеки. Прочитайте посібник користувача для акумулятора й

	Температура навколишнього середовища
Використання акумулятора	5 °C–40 °C / 41 °F–104 °F
Заряджання акумулятора	5 °C–40 °C / 41 °F–104 °F

Стан акумулятора

На дисплеї відображаються поточний рівень заряду акумулятора й можливі проблеми під час його роботи.



Світлодіодний індикатор	Стан заряду акумулятора
Горить 4 індикатори	Акумулятор заряджений на 76–100 %.
Горить 3 індикатори	Акумулятор заряджений на 51–75 %.
Горить 2 індикатори	Акумулятор заряджений на 26–50 %.
Горить 1 індикатор	Акумулятор заряджений на 6–25 %.
Блимає 1 індикатор	Акумулятор заряджений на 0–5 %.

Заряджання акумулятора

Перед першим використанням акумулятор необхідно зарядити. Новий акумулятор заряджений лише на 30 %.

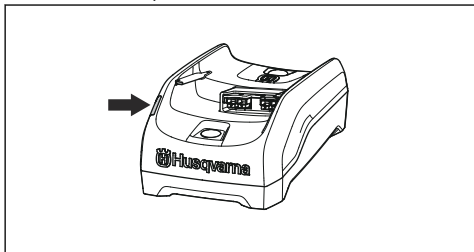
1. Під'єднайте шнур живлення до зарядного пристрою.



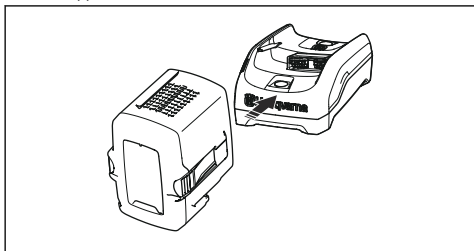
УВАГА: Зарядний пристрій слід під'єднувати до мереж живлення, напруга й частота яких відповідають значенням, указаним на таблиці з паспортними даними.

Акумулятор не заряджатиметься, якщо його температура перевищує 50 °C (122 °F).

2. Під'єднайте зарядний пристрій до заземленої розетки. Світлодіодний індикатор заряджання блимне один раз.



3. Під'єднайте акумулятор до зарядного пристрою. Увімкнеться індикатор заряджання. Тривалість заряджання акумулятора не має перевищувати 24 години.



4. Натисніть кнопку індикатора акумулятора; якщо всі світлодіодні індикатори засвітяться, акумулятор повністю заряджений.
5. Потягніть штепсельну вилку, щоб від'єднати зарядний пристрій від розетки чи роз'єму живлення. У жодному разі не тягніть за шнур живлення.
6. Вийміть акумулятор із зарядного пристрою.

Під'єднання акумулятора до виробу

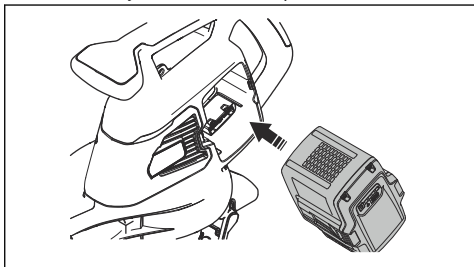


ПОПЕРЕДЖЕННЯ:

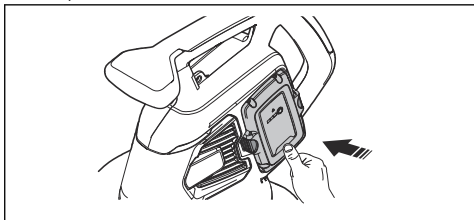
Використовуйте лише оригінальні акумулятори Husqvarna.

1. Переконайтеся, що акумулятор повністю заряджений.

2. Вставте акумулятор у тримач на виробі. Акумулятор повинен вставлятися легко. Якщо це не так, він установлений неправильно.

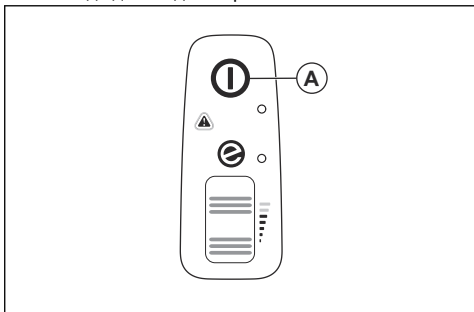


3. Натисніть на нижню частину акумулятора й просуньте акумулятор якомога далі в акумуляторний відсік. Акумулятор зафіксується на місці, коли ви почуєте клацання.
4. Переконайтеся, що фіксатори стали на свої місця.

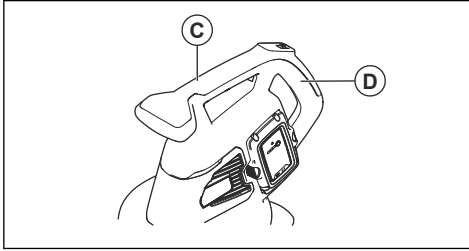


Запуск виробу

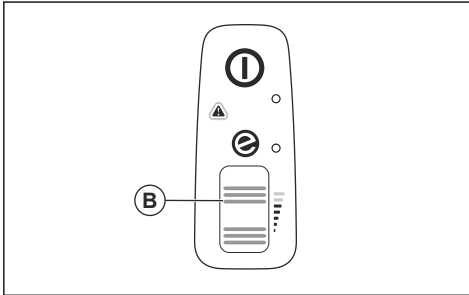
1. Натисніть кнопку запуску / зупинки (A) й утримуйте її, доки не увімкнеться зелений світлодіодний індикатор.



2. Візьміться однією рукою за допоміжну ручку (C), а іншою – за основну ручку (D).

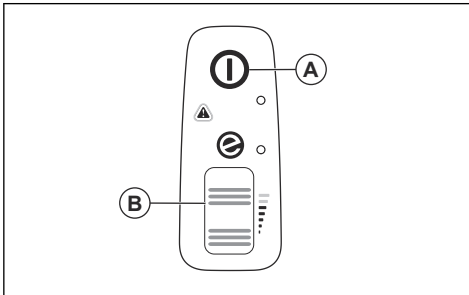


3. Прокрутіть коліщатко регулювання потужності (B) вгору, щоб запустити режим повітродува або пилососа.



Зупинення виробу

1. Прокрутіть коліщатко регулювання потужності (B) вниз, щоб вимкнути режим повітродува або пилососа.

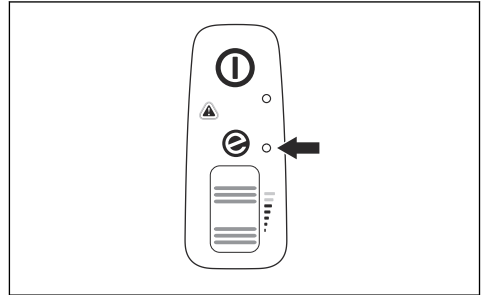


2. Натисніть кнопку запуску / зупинки (A) й утримуйте її, доки не вимкнеться зелений світлодіодний індикатор.

Режим ECO

Режим ECO збільшує термін служби акумулятора.

- Прокрутіть коліщатко регулювання потужності вниз, щоб запустити режим ECO. Коли режим ECO запуститься, увімкнеться світлодіодний індикатор.



- Прокрутіть коліщатко регулювання потужності вгору, щоб запустити звичайний режим роботи. Коли запуститься звичайний режим роботи, світлодіодний індикатор вимкнеться.

Спорожнення мішка



ПОПЕРЕДЖЕННЯ:

Гострі предмети можуть спричинити травми. Не лізьте руками в мішок, коли спорожняєте його.

- Зупиніть вироб.
- Зніміть мішок.
- Виверніть мішок і вийміть зібрані предмети.
- Помийте мішок водою із шланга.
- Залиште мішок висихати.
- Установіть мішок на місце.

Функція автоматичного вимкнення

Інструмент підтримує функцію автоматичного вимкнення, яка зупиняє інструмент, якщо він не використовується. Якщо вироб не використовується, він вимикається через 1 хвилину.

ТЕХНІЧНЕ ОБСЛУГОВУВАННЯ

Вступ

Й усвідомте зміст розділу про заходи безпеки.



ПОПЕРЕДЖЕННЯ: Перед виконанням будь-яких робіт із технічного обслуговування обов'язково прочитайте

Графік технічного обслуговування

Нижче наведено перелік заходів технічного обслуговування, які слід виконувати.

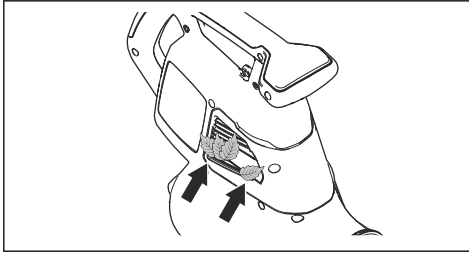


ПОПЕРЕДЖЕННЯ: Перед технічним обслуговуванням необхідно виймати акумулятор.

Технічне обслуговування	Щодня	Щотижня	Щомісяця
Очистіть зовнішню поверхню виробу чистою сухою ганчіркою. Не використовуйте воду.	X		
Рукоятки мають бути сухими, незабрудненими, і не них не повинні бути олива та мастило.	X		
Переконайтеся, що кнопка запуску / зупинки справна й не пошкоджена.	X		
Переконайтеся, що коліщатко регулювання потужності працює належним чином і відповідає вимогам техніки безпеки.	X		
Перевірте, чи затягнуті всі гайки та гвинти.	X		
Перевірка акумулятора на наявність пошкоджень.	X		
	X		
Перевірте, чи справні кнопки виймання акумулятора та чи надійно він фіксується у виробі.	X		
Перевірка заряджального пристрою на наявність пошкоджень і правильність роботи.	X		
Перевірте всі муфти, з'єднання та кабелі на наявність пошкоджень і переконайтеся, що вони не забруднені.		X	
Перевірте правильність підключення акумулятора до виробу, а також до зарядного пристрою.			X
Очищуйте повітряні канали м'якою щіткою (забороняється використовувати викрутку).	X		
Зніміть і очистіть трубу повітродува або всмоктувальну трубу.	X		
Спорожніть і очистіть мішок. Дивіться розділ <i>Спорожнення мішка на сторінці 429</i> .	X		
Видаліть траву, листя, бруд та будь-які інші сторонні речовини з отвору та кришки всмоктувача.	X		
Перевірте лопаті крильчатки на наявність забруднень і за потреби очистіть їх тупим довгим предметом.	X		

Перевірка всмоктувача повітря

1. Переконайтеся, що отвори всмоктувача повітря з обох боків виробу не заблоковані.



2. За потреби вимкніть виріб і приберіть листя чи інші сторонні матеріали.



УВАГА: Засмічення всмоктувача повітря знижує ефективність вивідання та підвищує робочу температуру електродвигуна. Це

може призвести до несправності електродвигуна через перегрів.

Перевірка акумулятора й зарядного пристрою

1. Перевірте акумулятор на наявність пошкоджень на кшталт тріщин.
2. Перевірте зарядний пристрій на наявність пошкоджень на кшталт тріщин.
3. Перевірте з'єднувальний шнур зарядного пристрою на предмет пошкоджень і тріщин.

Чищення виробу, акумулятора й зарядного пристрою

1. Після використання протріть виріб сухою тканиною.
2. Протріть сухою тканиною акумулятор і зарядний пристрій. Тримайте напрямні рейки акумулятора в чистоті.
3. Перед встановленням акумулятора в зарядний пристрій чи виріб переконайтеся, що контакти акумулятора й зарядного пристрою чисті.

Усунення несправностей

Інтерфейс користувача

Інтерфейс користувача	Можливі несправності	Можливе рішення
Блимає червоний світлодіодний індикатор помилки.	Відхилення температури від норми.	Дайте виробу охолонути.
	Труба або кожух вентилятора не встановлені.	Установіть трубу або кожух вентилятора.
	Помилка акумулятора.	Замініть або зарядіть акумулятор.
	Потрібне обслуговування.	Зверніться до свого дилера з обслуговування.
Виріб не запускається.	Бруд у з'єднувачах акумулятора.	Прочистіть стисненим повітрям або м'якою щіткою.

Акумулятор

Світлодіодний дисплей	Можливі несправності	Можливе рішення
Блимає зелений світлодіодний індикатор.	Недостатня напруга акумулятора.	Зарядіть акумулятор.
Світлодіодний індикатор помилки блимає.	Відхилення температури від норми.	Акумулятор дозволяється використовувати за температури від – 10 °C (14 °F) до 40 °C (104 °F).
	Занадто висока напруга.	Переконайтеся, що напруга в мережі відповідає зазначеним на виробі значенням. Відповідне значення можна подивитися на паспортній таблиці виробу. Вийміть акумулятор із зарядного пристрою.
Вмикається світлодіод помилки.	Завелика різниця напруги між елементами акумуляторної батареї (1 В).	Зверніться до свого дилера з обслуговування.

Зарядний пристрій

Обставина	Можливі несправності	Можливі виправлення
Індикатор заряджання світиться червоним.	Систематична помилка зарядного пристрою.	Зверніться до дилера.
Індикатор заряджання блимає зеленим.	Акумулятор є надто холодним або надто гарячим для використання чи заряджання.	Дайте акумулятору охолонути або підігрійте його. Коли температура акумулятора досягне прийнятних значень, його можна буде знову використовувати або заряджати. Зарядний пристрій дозволяється використовувати за температури навколишнього середовища від 5 °C (41 °F) до 40 °C (104 °F).
Індикатор заряджання блимає червоним.	Акумулятор є несправним.	Зверніться до дилера.

Транспортування, зберігання й утилізація

Транспортування та зберігання

- На літій-іонні акумулятори поширюються правила щодо небезпечного вантажу.
- У разі перевезення пасажирським або вантажним транспортом дотримуйтеся спеціальних вимог щодо упаковки й маркування (це правило також стосується третіх осіб і експедиторів).

- Перш ніж відправляти виріб, проконсультуйтеся з особою, що пройшла спеціальну підготовку щодо поводження з небезпечними матеріалами. Дотримуйтеся всіх застосованих національних норм і правил.
- Перед пакуванням акумулятора ізолюйте відкриті контакти. Зафіксуйте акумулятор в упаковці, щоб він не рухався.
- Перед зберіганням дайте інструменту охолонути.

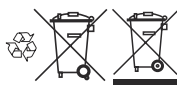
- Під час підготовки до зберігання чи транспортування виробу завжди виймайте акумулятор.
- Зберігайте акумулятор і зарядний пристрій у сухому приміщенні, захищеному від вологи та низьких температур.
- Заборонено зберігати акумулятор у місці, де можуть утворюватися статичні заряди. Не зберігайте акумулятор у металевій коробці.
- Зберігайте акумулятор за температури 5–25 °C у захищеному від прямих сонячних променів місці.
- Зберігайте зарядний пристрій за температури від 5 °C до 45 °C у захищеному від прямих сонячних променів місці.
- Використовуйте зарядний пристрій лише за температури навколишнього середовища 40–40 °C.
- Перед довготривалим зберіганням акумулятор необхідно зарядити на 30–50 %.
- Зберігайте зарядний пристрій у сухому закритому приміщенні.
- Зберігайте акумулятор і зарядний пристрій окремо. Не дозволяйте дітям та іншим особам без належної підготовки торкатися обладнання. Зберігайте обладнання в приміщеннях, які можна закрити на замок.
- Перед тривалим зберіганням промийте виріб і проведіть повне технічне обслуговування.

- Під час транспортування й зберігання використовуйте чохол для транспортування, що допоможе захистити виріб від травм і пошкоджень.
- Під час транспортування надійно закріплюйте виріб.

Утилізація акумулятора, зарядного пристрою й виробу

Символ, наведений нижче, означає, що цей виріб не можна утилізувати разом із побутовими відходами. Утилізацію необхідно проводити на підприємстві з переробки відходів електричного й електронного обладнання. Це допоможе запобігти шкоді навколишньому середовищу й людям.

Щоб отримати детальнішу інформацію, проконсультуйтеся з органами місцевої влади, місцевою службою переробки відходів чи своїм дилером.



Зверніть увагу: Символ нанесений на виріб чи упаковку виробу.

Технічні характеристики

Технічні характеристики

	120iBV
Електродвигун	
Тип двигуна	Двигун постійного струму (без щіток) 36 В
Маса	
Маса без акумулятора, кг	4,6
Випромінювання шуму ⁷⁰	
Рівень звукової потужності, дБ (A)	97
Гарантований рівень звукової потужності, L _{WA} дБ(A)	100

⁷⁰ Випромінювання шуму в середовище, виміряне як звукова потужність (L_{WA}), відповідає директиві ЄС 2000/14/ЄС. Заявлений рівень звукової потужності цієї машини було виміряно під час роботи оригінальної різальної насадки, що створює найбільший рівень шуму. Різниця між гарантованим та вимірним рівнем звукової потужності полягає в тому, що гарантований рівень звукової потужності також враховує розбіжність у результатах вимірювання та відмінні між різними машинами однієї моделі згідно з Директивою 2000/14/ЄС.

	120iBV
Рівні звуку ⁷¹	
Еквівалентний рівень шумового тиску у вухах оператора, виміряний відповідно до стандартів EN ISO 11203 і ISO 22868 (дБ(A)):	84
Рівні вібрації ⁷²	
Рівень вібрації в передніх / задніх ручках, виміряний відповідно до стандарту ISO 22867, м/с ²	1,4 / 1,7
Характеристики вентилятора	
Потік повітря у звичайному режимі роботи зі стандартною насадкою, м ³ /хв	6,7
Максимальна швидкість повітря у звичайному режимі роботи зі стандартною насадкою, м/с / миль/год	50 / 111

Дані щодо шуму та вібрації визначаються на основі номінальної максимальної швидкості.

Схвалені акумулятори

Із цим інструментом слід використовувати тільки оригінальні акумулятори Husqvarna 40-B.

Схвалені акумулятори

Акумулятор	40-B140
Тип	Літій-іонний
Ємність батареї, ампер-години	4
Номинальна напруга, В	36
Маса, кг	1,25

Сертифіковані зарядні пристрої

Зарядний пристрій	40-C80
Напруга електромережі, В	100-240
Частота, Гц	50-60
Потужність, Вт	72
Вихідна напруга, В пост. струму / ампер, А	43 / 1,6

⁷¹ Представлені дані для еквівалентного рівня звукового тиску для інструмента мають типову статистичну дисперсію (стандартне відхилення) в 3 дБ (А).

⁷² Заявлені дані щодо рівня вібрації мають стандартну статистичну розбіжність (стандартне відхилення) у 1,5 м/с².

Декларація відповідності

Декларація відповідності ЄС

Ми, компанія **Husqvarna AB**, SE-561 82 Huskvarna, ШВЕЦІЯ, тел.: +46-36-146500, заявляємо під свою виключну відповідальність, що представлений виріб:

Опис	Ручний садовий повітродув / пиросос
Бренд	Husqvarna
Тип / модель	120iBV
Ідентифікація	Серійні номери за 2022 рік і пізніше

повністю відповідає таким директивам і нормам ЄС:

Норма	Опис
2006/42/EC	«Про механічне обладнання»
2014/30/EU	«Про електромагнітну сумісність»
2011/65/EU	«Про обмеження використання деяких небезпечних речовин в електричному й електронному обладнанні»
2000/14/EC	«Про виділення шуму в навколишнє середовище»

і що до нього застосовуються вказані далі узгоджені стандарти та/або технічні специфікації: EN 60335-1:2012+A11+A13+A14+A2+A15, EN 50636-2-100:2014, EN IEC 63000:2018, EN ISO 12100:2010, EN IEC 55014-1:2021; EN IEC 55014-2:2021

Згідно з Директивою 2000/14/EC, додаток V, див. *Технічні характеристики на сторінці 433* для заявлених шумових характеристик.

Husqvarna, 2023-01-16



Клас Лосдал (Claes Losdal), директор відділу НДДКР, Husqvarna AB

Відповідальний за технічну документацію

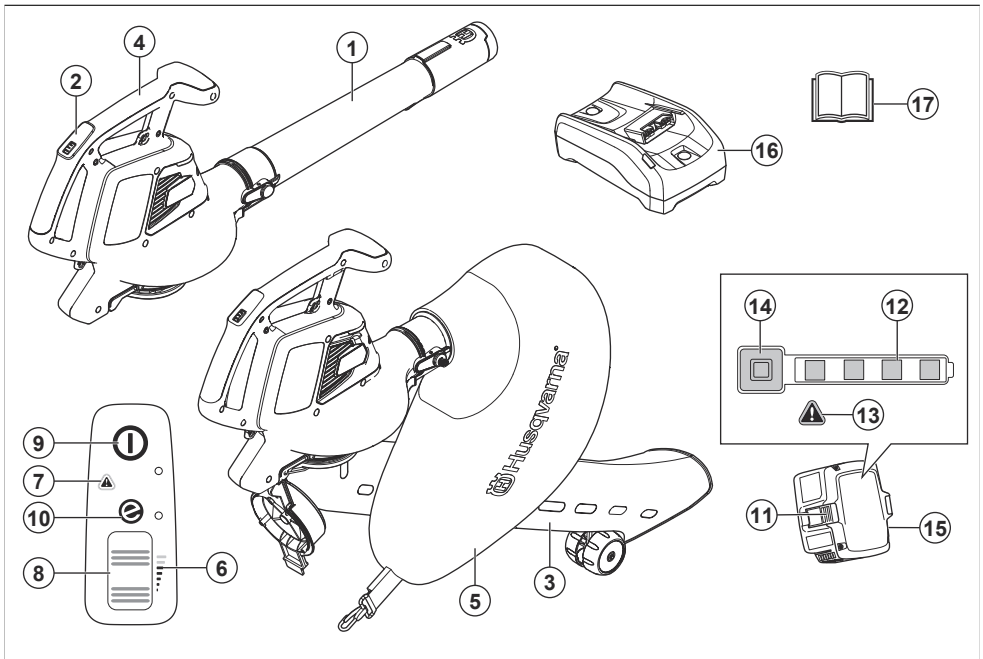


目次

はじめに.....	436	トラブルシューティング.....	449
安全性.....	438	搬送、保管、廃棄.....	450
組立.....	442	主要諸元.....	450
Operation(操作).....	444	適合宣言.....	453
メンテナンス.....	447		

はじめに

製品の概要



1. ブロワチューブ
2. キーパッド
3. バキュームチューブ
4. ハンドル
5. 集塵バッグ
6. エアフローインジケータ
7. 警告インジケータ (エラー LED)
8. パワーホイール
9. START/STOP ボタン
10. SavE インジケータ
11. バッテリーリリースボタン
12. バッテリーステータス
13. 警告インジケータ (エラー LED)

14. 電源および警告インジケータ
15. バッテリー (Husqvarna120iBV ブロワキットにのみ付属)
16. バッテリー充電器 (Husqvarna120iBV ブロワキットにのみ付属)
17. 取扱説明書

製品の説明

Husqvarna 120iBV は電動モーター搭載型のガーデンブロワ / バキュームモデルです。

当社は継続的に製品の開発を行っています。そのため、設計や外見などが予告なく変更されることがあります。

用途

ブロウモード: このブロウは、通路、私道、中庭などから、汚れの粒子や刈った草を吹き飛ばすように設計されています。また、刈った草や、わら、葉を吹き飛ばして山にしたり、タイルやレンガの角、継ぎ目、隙間から汚れの粒子を取り除いたりすることもできます。

バキュームモード: バキュームは、乾燥したものを吸い取るように設計されています。葉、草、小枝、紙片が含まれます。

製品に表記されるシンボルマーク



警告: 本製品の使用は危険を伴います。操作者や付近にいる人が重傷を負う、または死亡するおそれがあります。十分に注意し、本製品を正しく使用してください。



本製品を使用する前に、この取扱説明書をよくお読みになり、指示内容をよく理解してください。



認可された防護メガネを使用してください。

V

定格電圧、V



直流。



環境に対する騒音レベルは EC 指令と英国の指令および規制、ニューサウスウェールズの法規「Protection of the Environment Operations (Noise Control) Regulation 2017」に準拠しています。本製品の保証音響レベルは次の場所とラベルに記載されています: **主要諸元 450 ページ**。



メンテナンスを行う前に、バッテリーを取り外してください。



本製品や本製品のパッケージは、一般廃棄物ではありません。電気・電子機器のリサイクル業者にリサイクルを依頼してください。



本製品は EC 指令適合製品です。



この製品は該当する UK 規制に準拠しています。



雨が当たらないようにしてください。



本製品の電源を切った後、ローターブレードが停止するまで待ちます。



本製品は、チューブが完全に組み立てられている場合にのみバキュームモードで使用してください。



ブロウの作業者は、作業中に人や動物が 15 メートル以内に近づかないように注意する必要があります。作業場所内に複数の作業者がいる場合は、安全のために、最低 15 メートルの距離を取ってください。ブロウで吹き飛ばしたものが跳ね返ってくる場合があります。そのため、推奨されている安全装置を使用していない場合、目に重傷を負うことがあります。



yyyy wwxxxx

製造番号はシリアルプレートに記載されています。yyyy は製造年、ww は製造された週です。

注記: 本アタッチメント上の他のシンボル / 銘板は、それぞれの市場地域に向けた特別な認定条件を示します。

バッテリーやバッテリー充電器のシンボルマーク



電気・電子機器のリサイクル業者にリサイクルを依頼してください。(ヨーロッパにのみ適用)



安全装置付き変圧器。



バッテリー充電器は屋内でのみ使用、保管してください。



二重絶縁。

メーカー

Husqvarna AB

Drottninggatan 2, SE-561 82 Huskvarna

製品の損傷

以下の場合、当社は製品の損傷について責任を負いません。

- 本製品が誤って修理された場合。
- メーカーによるものではない部品、またはメーカーの認可していない部品を使用して本製品を修理した場合。
- メーカーによるものではないアクセサリ、またはメーカーの認可していないアクセサリを本製品に使用した場合。
- 認定サービスセンターまたは認定販売店で本製品が修理されていない場合。

安全性

安全性の定義

警告、注意、注記は、取扱説明書の特に重要な部分を示すために使用されます。



警告： 取扱説明書の指示に従わない場合、使用者が負傷したり、死亡したりするか、あるいは付近の人に損傷を与える危険があることを意味します。



注意： 取扱説明書の指示に従わない場合、本製品やアタッチメント、他の物品、または隣接するエリアに損傷を与える危険があることを意味します。

注記： 特定の状況で必要とされる詳細情報を提供するために使用されます。

一般的な安全注意事項



警告： 本製品を使用する前に、以下の警告指示をお読みください。

- 本取扱説明書をよくお読みになり、本機の制御と正しい動作を確認してください。本製品の誤った取り扱いや不注意な取り扱い、深刻な、時には致命的な傷害を作業員または他の人々に引き起こす場合があります。
- いかなる理由であれ、製造者の承認を得ることなく本製品に改造を加えないでください。何らかの改造を受け、出荷時の仕様と異なっている製品は、絶対に使用しないでください。また、必ず純正のアクセサリを使用してください。不認可の改造や付属品は、使用者やその他の人の重傷や致命傷の原因となることがあります。品質保証されていないアクセサリや交換部品を使用した場合、損害または製造物責任に対して保証が適用されないことがあります。
- 本製品では、運転中に電磁場が発生します。この電磁場は、ある条件下でアクティブ、またはパッシブな医療用インプラントに影響を及ぼすことがありま

す。深刻な傷害または致命傷の危険を避けるため、医療用インプラントを使用している方は、本製品を使用する前に主治医および医療用インプラントの製造元に相談することをお勧めします。

- 充電前に、本製品からバッテリーを外します。

パワーツールの一般的な安全上の警告 始動前の点検

- 作業エリアを点検します。石や割れたガラス、くぎ、針金、せもなど、固定されておらず飛ばされそうな物をすべて取り除いてください。
- 本機が誤って始動しないように、製品を使用しない時はバッテリーを常に取り外してください。本機のメンテナンスを行う前には、必ずバッテリーを外してください。
- 本機の使用前および何らかの衝撃を受けた後は、磨耗や破損の兆候がないか確認の上、必要があれば修理してください。
- 純正の交換部品のみを使用してください。
- 本機の作業員は、作業中に人や動物が 15 メートル以内に近づかないように注意する必要があります。同じエリアに数人の作業員がいる場合、安全距離を 15 メートル以上とる必要があります。
- 使用前に本機全体の点検を実施してください。メンテナンスのスケジュールを参照してください。
- 使用には、国や地方により、規制が課せられる場合があります。所定の規制に従ってください。

個人の安全

- **パワーツールを操作するときは、十分に気をつけて慎重に行動し、常態に従ってください。疲れているときや、医薬品およびアルコールの影響が残っている状態でパワーツールを使用しないでください。パワーツールの操作中は、一瞬の不注意により重傷を負うおそれがあります。**
- そばに人がいないようにしてください。
- 本機は、正常な体力や感覚、精神力がない人や、経験や知識のない人（子供を含む）の使用を想定していません。ただし、使用者の安全に責任を持つ人物が本機の使用に関して監督や指導をする場合を除き

ます。子供が本機で遊ばないように、監視する必要があります。

- 子供や使用方法に習熟していない人に、本製品を使用させないでください。地域の規制によっては、使用者の年齢制限がある場合があります。
- 未許可の人が一定の距離内に入らないよう注意してください。子供、動物、見物人、補助者は、15メートル（50 フィート）以上離れた安全圏にいるようにしてください。誰かが近づいたら、すぐに本機を停止してください。
- 本機は、鍵のかかる場所に保管し、子供や、承認を受けていない人が触れることのないようにしてください。
- 排出されたものにより負傷するおそれがあるため、舗装面や砂利面で本機を操作しないでください。
- 本機の動作中は、必ず丈夫な靴および長ズボンを着用してください。裸足やサンダルで本製品を操作しないでください。ゆったりした衣服や、コードやひもがぶら下がっている衣服を着用しないでください。
- 吸気口に吸い込まれる可能性のあるゆったりした衣服や、装身具を身につけないでください。長い髪を吸気口に近づけないでください。
- 疲労時、飲酒後、視力・判断力・動作に影響を及ぼすような医薬品の服用時は、絶対に本機を使用しないでください。
- 身体保護具を着用してください。「身体保護具」の項の説明を参照してください。
- 本機を別の人に渡すときは、必ずバッテリーを外してください。
- 周囲の人やその所有物をさまざまな事故や危険にさらさないようする責任は、使用者自身にあることを忘れないでください。

パワーツールの使用と手入れ

- オリジナルの仕様を変更した機械は、それがどのような変更であっても絶対に使用しないでください。爆発物や可燃性物質のそばで本機を使用しないでください。
- 欠陥のある製品は絶対に使用しないでください。この取扱説明書の内容に従って、安全点検、メンテナンス、サービスを行ってください。メンテナンスやサービスの内容によっては、専門家で行わなければならないものもあります。詳細は、「メンテナンス」の項を参照してください。
- 純正の交換部品のみを使用してください。
- 空気口に破片などがないよう常に注意してください。
- 始動する前に、すべてのカバーやガード、ハンドルを取り付ける必要があります。
- 本機は日光や照明が十分な状態でのみ使用してください。
- 霧や雨、強風、厳寒、雷など気象条件の悪いときや濡れていたり湿気が多かったりする場所では、本機を使用しないでください。また、気温が極めて高いときは、本機がオーバーヒートすることがあります。悪天候下での作業は疲れやすく、足元が滑りやすくなるなど危険です。

- 異常な振動を شدたした場合、本機を停止してバッテリーを取り外してください。
- 歩きながら操作し、決して走らないでください。

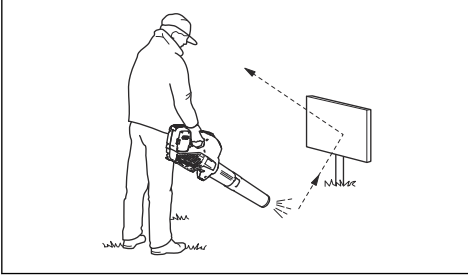
操作のための安全注意事項



警告： 本製品を使用する前に、以下の警告指示をお読みください。

- どうしてもいかならない状況になった場合は、専門家に問い合わせてください。販売店またはサービスワークショップに連絡してください。技能的に難しいと思える操作は行わないでください。
- 身体の動きが自由に取れ、足場が良いことを確認してください。とつさに身をかわさなければならぬ場合に邪魔になる物（木の根、岩、枝、溝など）が周囲にないか確認してください。斜面で作業する場合は、特に注意してください。
- 常にバランスを保ち、しっかりした足場を確保してください。無理な体勢で作業しないでください。
- イヤマフを着用している間は、警告信号や叫び声に気を付けてください。エンジンが停止したら、速やかにイヤマフを外してください。
- 開いた窓の近くで本製品を操作しないでください。
- 本製品の使用にあたっては、周囲の迷惑を考え、深夜や早朝など不適切な時間帯の使用は避けてください。使用する地域の規制と条例に従ってください。
- 本製品は、エアフローを可能な限り小さくして使用してください。最大のエアフローが必要になることはめったにありません。ほとんどの作業が半分のエアフローでできます。エアフローを小さくした場合、騒音と粉塵も少なく、また集めたごみの扱いが簡単になります。
- 粉塵の多い場所では、本製品の使用時に地面を少し湿らせてください。
- 熊手がほうきを使い、集めたごみを片付けます。
- ブロワの開口部を地面にできるだけ近づけます。
- 周囲を良く見回します。人、動物、遊び場、車などには本製品を向けないようにしてください。
- 埃っぽいエリアを軽く湿らせたり、スプレー装置を使用したりすると、ブロワの時間を短縮できます。
- 風の方向に気をつけてください。作業が楽になるように、風を利用してください。
- 本製品が異常に振動し始めた場合は、停止してバッテリーを取り外してください。
- ブロワを使用し、たくさん集めたものを移動させると、時間がかり、不必要な騒音を発生させることになります。
- 最後に片づけをします。よその庭にごみを吹き入れなかったか確認してください。
- 本製品を持って走らないでください。

- 強力な風力により物体を高速で動かすため、物体がはね返り、目に重傷を与えるおそれがあります。



- エアフローを人や動物に向けないでください。
- アクセサリーや部品を着脱する前に、モーターを停止してください。
- 体のあらゆる部分を高温表面から遠ざけてください。
- 本品を作動したままにする場合は、必ずよく見える場所に置いてください。
- 本機を停止して、バッテリーを取り外します。すべての可動部品が完全に停止していることを確認します。

- 本機から離れるとき
- 詰まったものを取り除く前やシュートの詰まりを解消する前
- 本機での点検、清掃、作業前
- 切断機構部が異物に当たったり、本機に異常な騒音や振動が発生したりした場合は、すぐに電源を切って本機を停止させてください。本機を再始動して操作する前に、本機からバッテリーを取り外し、次の手順を実行してください。
 - 損傷がないか確認します
 - 損傷した部品を交換または修理します
 - 緩んでいる部品がないか確認し、締めつけます
- 本機が目詰まりした場合は、不要なものを取り除く前に、電源を切り、バッテリーから本機を切り離します。
- 電源の稼働中は、本機を搬送しないでください。
- 電源の稼働中は、本機を傾けないでください。
- ブローは、はしごまたは足場組みの上で使用してはけません。



- 事故のときに助けを求めることができない状況で、本製品を使用してはけません。

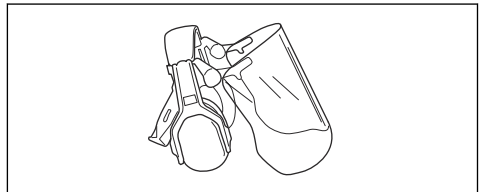
- 飛んでくる物に気をつけてください。石やごみなどが目に当たり、失明や重傷の原因となるおそれがあります。
- 製品充電時の安全性を高めるために漏電遮断器(RCI)を使用してください。漏電遮断器は、電気障害が発生した場合に作業者を保護するためのものです。
- 本製品は低振動荷重が特徴です。循環器系に障害のある人が振動を長期間受け続けると、循環器障害や神経障害を起こすことがあります。過度の振動を受け続けたために症状が現れた場合は、医師の診断を受けてください。症状にはしびれ、感覚麻痺、ビリビリ感、刺痛、痛み、脱力感、皮膚の色や状態の変化などがあります。これらの症状は通常、指や手、手首に現れます。
- 本製品は意図された目的だけに使用してください。
- 起こり得る状況をすべて予測し、対応することは不可能です。常に注意を払い、常識に合った使用方法で操作してください。使用者の能力範囲外であると思われる場合は、操作を行わないでください。これらの注意事項を読んだ後でも、不明点などがある場合は、使用を続けずに専門コンサルタントにご相談ください。

身体保護具



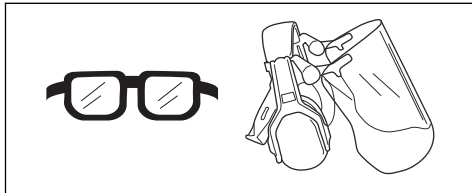
警告： 本製品を使用する前に、以下の警告指示をお読みください。

- 本製品を使用するときは、常に、認可された身体保護具を着用してください。身体保護具で怪我を完全に防止できるわけではありませんが、万が一事故が起こった場合、負傷の度合いを軽減することができます。適切な保護具の選択については、販売店にご相談ください。
- 長時間騒音にさらされることは、恒久的な聴覚障害の原因になることがあります。一般的に、バッテリー駆動の製品は比較的静かですが、騒音レベルと長時間の使用が重なった場合は損傷が生じることがあります。では、1日に連続した長時間本機を使用する場合は、作業者にイヤマフの装着を推奨しています。定期的に継続的に使用する場合は、定期的に聴覚の検査を受ける必要があります。イヤマフにより、音と警告音が聞こえにくくなる場合があります。



- 認可された防護メガネを使用してください。パイザーを使用する場合は、認可された防護ゴーグルも使用する必要があります。認可済みの保護ゴーグル

は、米国の ANSI Z87.1 規格または EU 諸国の EN 166 に適合している必要があります。



- 丈夫な素材でできた服を着用してください。常に厚手の長いズボンと長袖を着用してください。小枝や枝が引っかかるようなゆったりした衣服は身につけないでください。宝飾品、半スポン、サンダルを着用したり、はだいで作業したりしないでください。安全のため、髪の毛は肩よりも上にまとめてください。
- 救急器具を近くに準備してください。



- 粉塵の恐れがある場合は防塵マスクを使用してください。

本製品の安全装置

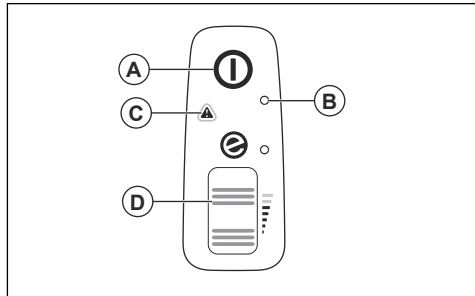


警告： 本製品を使用する前に、以下の警告指示をお読みください。

- この項では、本製品の安全機能とその目的、本機の正しい動作を確保するための点検とメンテナンスの方法について説明します。お使いの製品のこの装置の位置については、*製品の概要 436* ページの項の説明を参照してください。
- 本製品のメンテナンスを適切に行わなかったり、専門技術者が整備・修理を行わなかったりすると、本製品の寿命が短くなり、事故発生の危険性が増します。詳しくは、お近くのサービス代理店にお問い合わせください。
- 安全装置に欠陥のある製品は決して使用しないでください。本項目の記載に従って、本製品の安全装置の点検、メンテナンスを行ってください。お持ちの製品がこれらの点検項目を一点でも満たさない場合は、お近くのサービス代理店に修理を依頼してください。
- 本製品に関するすべてのサービス、修理には、特別な研修が必須です。本製品の安全装置には、特に研修が必要です。本製品が下記の検査のいずれかで不合格になったときは、サービス代理店に連絡してください。弊社の製品を購入されると、専門的な修理とサービスの提供も保証されます。本製品を販売した小売店がサービス代理店ではない場合、最寄りのサービス代理店の住所を小売店にお尋ねください。

キーパッドの点検方法

1. スタート / ストップボタン (A) を押し続けます。



- a) 製品に電源が入ると LED (B) が点灯します。
 - b) 製品の電源を切ると LED (B) が消灯します。
2. 警告インジケータ (C) が点灯または点滅している場合は、ユーザーインターフェイス 449 ページを参照してください。
 3. パワーホイール (D) を押して放し、ホイールが自由に動くことを確認します。

バッテリーの安全



警告： 本製品を使用する前に、以下の警告指示をお読みください。

- お使いの製品に推奨されている 40-B シリーズバッテリーのみを使用してください。参照：*認可されたバッテリー 451* ページ。バッテリーはソフトウェアで暗号化されています。
- 充電式 40-B シリーズバッテリーは、関連する Husqvarna 製品の電源にのみ使用してください。負傷を防ぐため、このバッテリーを他の装置の電源として使用しないでください。
- 感電するおそれがあります。バッテリーの端子を鍵、ネジ、その他の金属に接触させないでください。バッテリーが短絡する原因になります。
- 再充電できないバッテリーは使用しないでください。
- バッテリーのエアスロットに物が入らないようにしてください。
- バッテリーは直射日光や熱、裸火から保護してください。バッテリーによりやけどや化学熱傷を負うおそれがあります。
- バッテリーは雨がら遠ざけて、濡れない状態に維持してください。
- バッテリーは電子レンジや高圧から保護してください。
- バッテリーを分解したり壊したりしないでください。
- バッテリーは $-10 \sim 40^{\circ}\text{C}$ ($14 \sim 104^{\circ}\text{F}$) の温度で使用してください。
- バッテリーまたはバッテリー充電器は、水で洗わないでください。参照：*製品、バッテリー、およびバッテリー充電器の清掃方法 448* ページ。

- 不具合や損傷のあるバッテリーは使用しないでください。
- バッテリーはくぎ、ネジ、または宝飾品などの金属から離して保管してください。
- バッテリーは子供が近づけない場所に保管してください。

- バッテリー充電器の冷却スロットに物が入らないようにしてください。
- バッテリー充電器が短絡するため、充電器の端子を金属物体へ接触させないでください。
- 認可された、損傷していない壁コンセントを使用してください。バッテリー充電器のコードが破損していないことを確認してください。延長ケーブルを使用している場合は、損傷していないことを確認してください。

バッテリー充電器の安全性



警告： 本製品を使用する前に、以下の警告指示をお読みください。

- 安全注意事項を守らないと、感電や短絡の危険があります。
- 製品の付属品以外のバッテリー充電器は使用しないでください。Husqvarna 40-B140 交換バッテリーを充電するときは、40-C80 充電器のみを使用してください。参照：認可されたバッテリー充電器 451 ページおよび 認可されたバッテリー 451 ページ。
- バッテリー充電器を分解しないでください。
- 故障または破損したバッテリー充電器は使用しないでください。
- 電源コードを持ってバッテリー充電器を持ち上げないでください。主電源ソケットからバッテリー充電器を取り外す際は、プラグを引っ張ってください。電源コードを引っ張らないでください。
- すべてのケーブルと延長コードが、水や油、または尖った物に接触しないようにしてください。ドア、フェンスなどの障害物の間に、ケーブルが挟まっていないことを確認してください。
- 可燃性の物質や、腐食の原因となる物質の近くでは、バッテリー充電器を使用しないでください。バッテリー充電器の上に覆うものが何もないことを確認してください。煙や火災が発生した場合、バッテリー充電器の電源プラグをコンセントから引き抜いてください。
- バッテリーは、通気がよく直射日光が当たらない屋内でのみ充電してください。屋外でバッテリーを充電しないでください。濡れた状態でバッテリーを充電しないでください。
- バッテリー充電器は、温度が 5~40 °C (41~104 °F) の場所だけで使用してください。充電器は、通気がよく、埃がない、乾燥した環境で使用してください。

メンテナンスのための安全注意事項



警告： 本製品のメンテナンスを行う前に、以下の警告指示を読んでください。

- 整備、点検、保管のために本機を停止した場合、またはアクセサリを交換する場合は、点検や調整などを行う前に本機を冷ましてください。本機は慎重にメンテナンスし、清潔に保ってください。
- メンテナンス、その他の点検、または製品の組み立てを行う前に、バッテリーを取り外してください。
- 作業者は本取扱説明書に記載されているメンテナンスとサービスだけを実施してください。メンテナンスおよびさまざまなサービスについては、サービス代理店にお問い合わせください。
- すべてのナット、ボルト、ネジをしっかりと締め、本製品が安全に作動する状態であることを確認してください。
- 磨耗または損傷した部品は、交換してください。
- メンテナンスを実施しないと、製品の寿命が短くなり、事故の危険性が増します。
- 特に本製品の安全装置については、すべての整備と修理の作業に特殊な訓練が必要です。メンテナンスの後、本取扱説明書の点検項目の中に不合格の項目があった場合は、サービス代理店にお問い合わせください。当社は、お客様の製品のために、プロフェッショナルな修理と整備を提供することを保証します。
- 純正の交換部品のみを使用してください。

組立

ブロワモード



警告：

誤ってローターブレードが回転したり、本製品が始動したりすると、負傷につながるおそれがあります。バッテリーを取り外し、ローターブレードが停止するまで待ってから本製品を組み立てます。

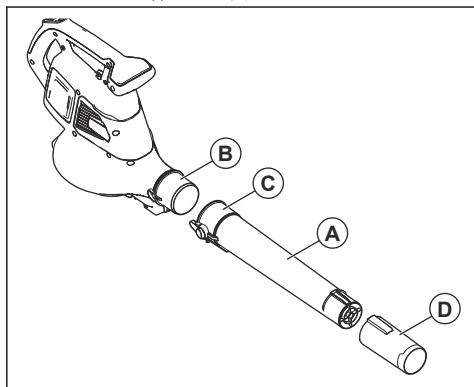


警告： 本製品をブロワモードで使用する前に、ブロワチューブと吸気口カバーを完全に組み立てます。

ブロワチューブの組み立て

注記： ブロワチューブが正しく組み立てられていないと、安全スイッチによってブロワの始動が妨げられます。

1. ブロフチューブ (A) をブロフアウトレット (B) に押し込みます。インターロック (C) が作動すると、カチッという音がします。

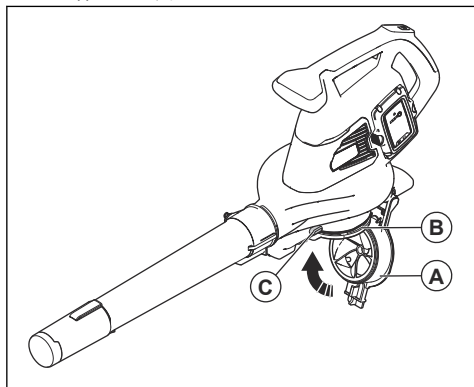


2. ブロフノズル (D) をブロフチューブに取り付けます。ブロフノズルがロックされると、カチッという音がします。

吸気口カバーの組み立て

注記： 吸気口カバーが正しく組み立てられていないと、安全スイッチによってブロフの始動が妨げられます。

- ブロフインレット (B) の吸気口カバー (A) を閉じます。インターロック (C) が作動すると、カチッという音がします。



バキュームモード



警告： 本製品をバキュームモードで使用する前に、バキュームチューブと集塵バッグを完全に組み立てます。

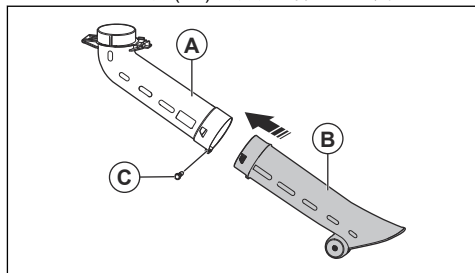
バキュームチューブの組み立て



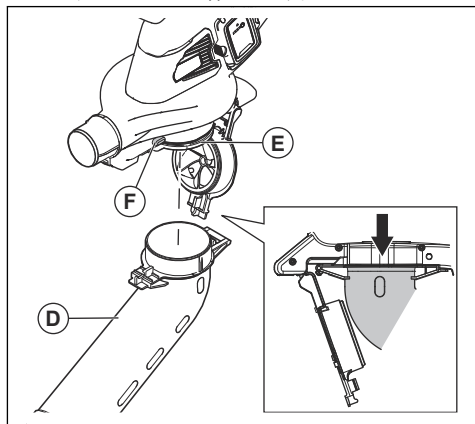
警告： 本製品を始動する前に、上下のバキュームチューブを組み立てます。

注記： バキュームチューブが正しく組み立てられていないと、安全スイッチによってバキュームの始動が妨げられます。

1. 上部バキュームチューブ (A) のスロットを下部バキュームチューブ (B) のタブに合わせます。



2. カチッという音がするまで、下部バキュームチューブを上部バキュームチューブに押し込みます。
3. ネジ (C) を締めつけます。
4. バキュームチューブ (D) をバキュームインレット (E) に取り付けます。インターロック (F) が作動すると、カチッという音がします。



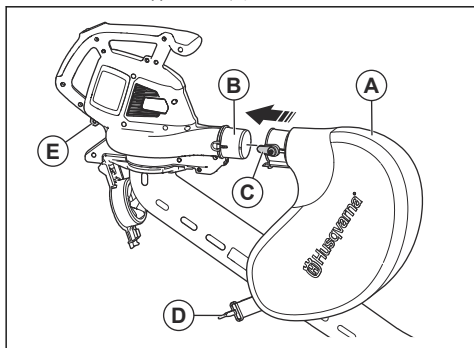
集塵バッグの組み立て

注記： 集塵バッグが正しく組み立てられていないと、安全スイッチによって本製品の始動手順が停止されます。

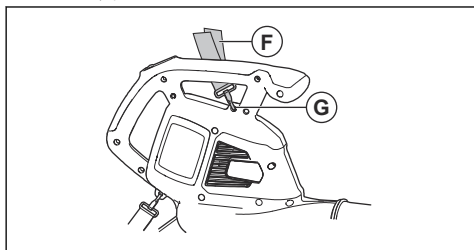


警告： バッグの取り付けまたは取り外しを行う前に、本機を停止してください。

1. ブロワチューブが本製品に取り付けられている場合は、取り外します。
2. 集塵バッグ (A) をバキュームアウトレット (B) に押し込みます。インターロック (C) が作動すると、カチッという音がします。



3. 集塵バッグストラップ (D) をリターナー (E) に接続します。
4. ショルダーストラップ (F) をリターナー (G) に接続します。



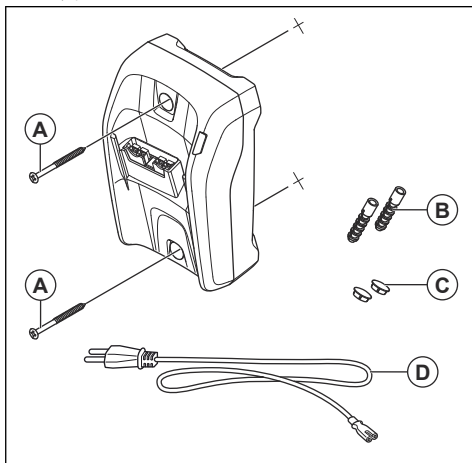
5. 集塵バッグが完全に閉じていることを確認します。

バッテリー充電器の壁への取り付け方法



注意： バッテリー充電器を壁に取り付けるときは電動ドライバーを使用しないでください。電動ドライバーはバッテリー充電器を損傷する可能性があります。

1. 2本のネジ (A) で壁にバッテリー充電器を取り付けます。必要に応じて、ウォールプラグ (B) を使用します。



2. 2個のネジ穴プラグ (C) を取り付けます。
3. 電源コード (D) をバッテリー充電器と主電源ソケットに接続します。

Operation (操作)

はじめに



警告： 本製品を使用する前に、安全に関する章を読んで理解してください。

製品の使用前に機能チェックを行う方法

1. 汚れやヒビがないか、吸気口を点検します。ブラシを使用して、草や葉を本製品から払い落とします。
2. 製品が正常に機能することを確認します。
3. すべてのナットとネジを点検し、しっかりと締まっていることを確認します。

バッテリー

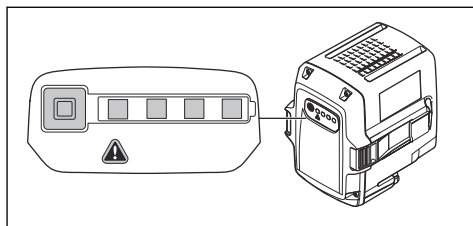


警告： バッテリーを使用する前に、安全に関する章をお読みになり、内容を理解してください。バッテリーおよびバッテリー充電器の取扱説明書もお読みになり、内容を理解してください。

バッテリーとバッテリー充電器を適切な周囲温度の場所に保管します。

	周囲温度
バッテリーの作動	5 °C ~ 40 °C (41 °F ~ 104 °F)

	周囲温度
バッテリーの充電	5 °C ~ 40 °C (41 °F ~ 104 °F)



バッテリーステータス

ディスプレイには、充電の状況と、バッテリーに関する問題が表示されます。

LED インジケータ	バッテリー充電状態
LED ライトが 4 つ点灯	バッテリーは 76 % ~ 100 % 充電済み。
LED ライトが 3 つ点灯	バッテリーは 51 % ~ 75 % 充電済み。
LED ライトが 2 つ点灯	バッテリーは 26 % ~ 50 % 充電済み。
LED ライトが 1 つ点灯	バッテリーは 6 % ~ 25 % 充電済み。
LED ライトが 1 つ点滅	バッテリーは 0 % ~ 5 % 充電済み。

バッテリーの充電

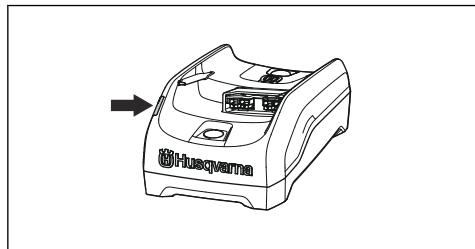
初めてバッテリーを使用する場合は、バッテリーを充電してください。新品のバッテリーは 30 % しか充電されていません。



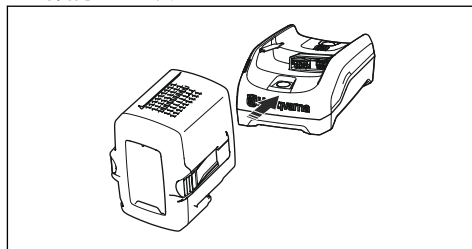
注意： 銘板で指定されている電圧と周波数の電源コンセントにバッテリー充電器を接続してください。

バッテリーの温度が 50 °C (122 °F) を超えると、バッテリーは充電されません。

1. 電源コードをバッテリー充電器に接続します。
2. バッテリー充電器を接地された電源コンセントに接続します。充電 LED が 1 回点滅します。



3. バッテリーとバッテリー充電器の接続を接続します。充電 LED が点灯します。バッテリーを最大 24 時間充電します。



4. バッテリーインジケータボタンを押します。すべての LED インジケータが点灯した場合、バッテリーは完全に充電されています。
5. 電源プラグを引いて、バッテリー充電器を電源コンセントから外します。電源コードを引っ張らないでください。
6. バッテリー充電器からバッテリーを外します。

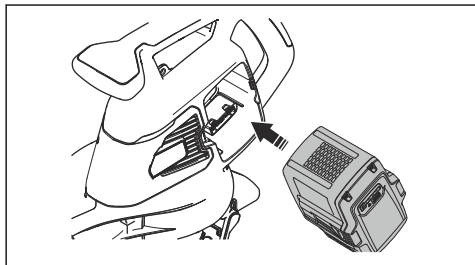
バッテリーの取り付け方法



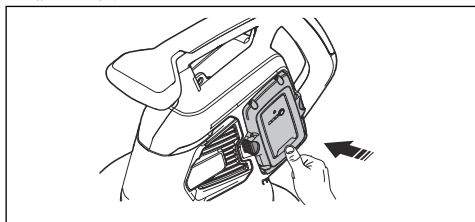
警告： 本製品には、Husqvarna の純正バッテリーのみを使用してください。

1. バッテリーがフル充電されていることを確認してください。

2. バッテリーを本製品のバッテリーホルダーに取り付けます。バッテリーは簡単にはまりません。はまらない場合は、正しく取り付けられていません。

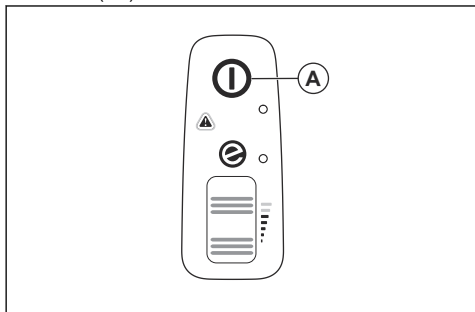


3. バッテリーの下部を押して、バッテリー収納部にはまるまで押し込みます。バッテリーがロックされると、カチッという音がします。
4. ラッチが所定の位置で正しくかかっていることを確認します。

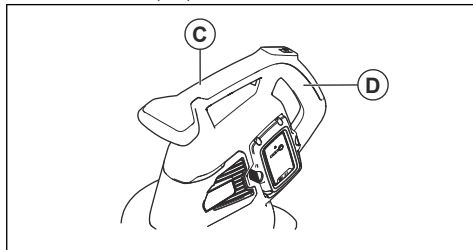


本製品の始動方法

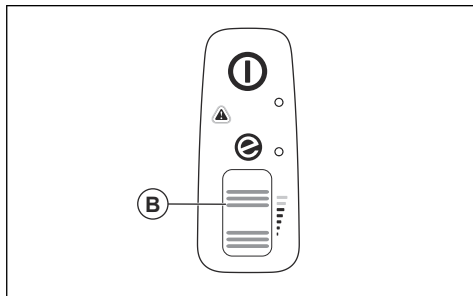
1. 緑色の LED ライトが点灯するまで、START/STOP ボタン (A) を押し続けます。



2. 片手で補助ハンドル (C) を持ち、もう一方の手でメインハンドル (D) を持ちます。

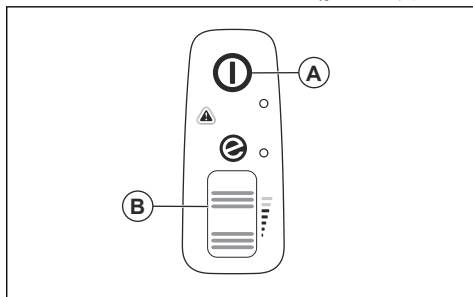


3. パワーホイール (B) を上にスクロールして、プロワモードまたはバキュームモードを開始します。



本製品の停止方法

1. パワーホイール (B) を下にスクロールして、プロワモードまたはバキュームモードを停止します。

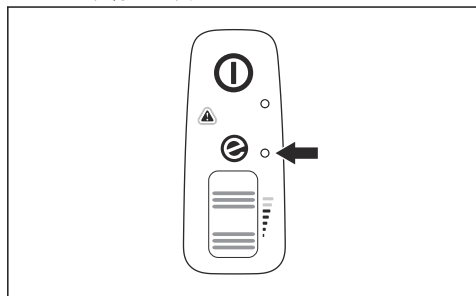


2. 緑色の LED ライトが消灯するまで、START/STOP ボタン (A) を押し続けます。

ECO モード

ECO モードでは、バッテリーの寿命が長くなります。

- パワーホイールを下にスクロールして、ECO モードを開始します。ECO モードが開始されると、LED ライトが点灯します。



- パワーホイールを上スクロールして、通常モードを開始します。通常モードが開始されると、LED ライトが消灯します。

1. 本製品を停止します。
2. 集塵バッグを取り外します。
3. 集塵バッグの内側を裏返して、集めたものを取り除きます。
4. 集塵バッグを水ホースで洗浄します。
5. 集塵バッグを乾かします。
6. 集塵バッグを組み立てます。

自動シャットダウン機能

本製品には、使用されていないときに停止する自動シャットダウン機能があります。本製品は 1 分後にシャットダウンします。

集塵バッグを空にする方法



警告：

鋭利なものにより負傷するおそれがあります。空にするときに集塵バッグに手を入れないでください。

メンテナンス

はじめに



警告： メンテナンス作業を行う前に、安全に関する章をお読みにになり、内容を理解してください。

メンテナンスのスケジュール



警告： メンテナンスを実行する前にバッテリーを外してください。

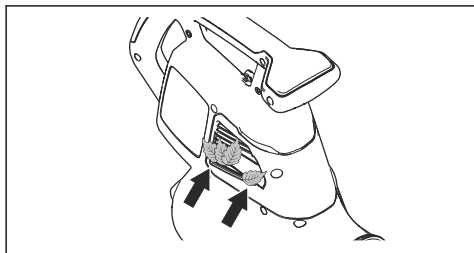
本製品に必要なメンテナンス手順のリストは以下のとおりです。

メンテナンス	毎日	毎週	毎月
外側表面を清潔で乾燥した布で清掃します。水は使わないでください。	X		
ハンドルは、オイルやグリースの付着がない、乾燥した清潔な状態に保ってください。	X		
START/STOP ボタンが正しく機能し、損傷がないことを確認します。	X		
安全面で、パワーホイールが正しく動作することを確認します。	X		
ナットとネジがしっかりと締まっていることを確認します。	X		
バッテリーに損傷がないか点検します。	X		
	X		
バッテリーのリリースボタンが正常に作動し、本製品にバッテリーをロックできることを確認します。	X		
バッテリー充電器に損傷がないか点検し、正しく作動することを確認します。	X		

メンテナンス	毎日	毎週	毎月
すべてのカップリング、接続部、ケーブルに損傷がないか点検し、汚れがないことを確認します。		X	
バッテリーと本製品の接続、およびバッテリーとバッテリー充電器の接続をそれぞれ点検します。			X
エアフロースロットを柔らかいブラシで清掃します(ドライバーは使用しないでください)。	X		
ブロワチューブまたはバキュームチューブを取り外して清掃します。	X		
集塵バッグを空にして洗浄します。参照：集塵バッグを空にする方法 447 ページ。	X		
吸気口の開口部および吸気口カバーから草、葉、汚れ、不要なものを取り除きます。	X		
ファンインペラに汚れがないか点検し、必要に応じて、先が丸くて長いものでファンインペラを清掃します。	X		

吸気口の点検

1. 本製品の両側面にある吸気口が塞がれていないことを確認します。



2. 必要に応じて、本製品を停止し、葉やごみを除去します。



注意： 吸気口が塞がっていると、本製品の送風性能が低下して、モーターの動作温度が上がります。モーターが過熱

し、モーターが損傷するおそれがあります。

バッテリーとバッテリー充電器の点検方法

1. バッテリーにヒビなどの損傷がないか調べます。
2. バッテリー充電器にヒビなどの損傷がないか調べます。
3. 充電器の電源コードを点検し、破損や亀裂がないことを確認してください。

製品、バッテリー、およびバッテリー充電器の清掃方法

1. 使用後は、製品を乾いた布で拭いてください。
2. バッテリーとバッテリー充電器を、乾いた布で拭いてください。バッテリーガイドトラックは清潔さを保ってください。
3. バッテリーをバッテリー充電器や本製品に入れる前に、バッテリーとバッテリー充電器の端子に汚れがないことを確認してください。

トラブルシューティング

ユーザーインターフェイス

ユーザーインターフェイス	想定される障害	解決方法
赤いエラー LED が点滅。	温度範囲外です。	本製品を冷却してください。
	チューブまたはファンカバーが取り外されています。	チューブまたはファンカバーを組み立てます。
	バッテリーの不具合。	バッテリーを交換または充電してください。
	サービスが必要です。	販売店にお問い合わせください。
製品が始動しない。	バッテリーコネクタが汚れています。	圧縮空気あるいは柔らかいブラシで掃除します。

バッテリー

LED 表示	想定される障害	解決方法
緑色の LED が点滅。	バッテリーの電圧が下がっています。	バッテリーを充電してください。
エラー LED が点滅。	温度範囲外です。	バッテリーは -10 ~ 40°C (14 ~ 104°F) の温度で使用してください。
	電圧が高すぎる。	電源の電圧が、本製品の電圧と一致することを確認してください。製品の銘板を参照してください。 バッテリー充電器からバッテリーを外します。
エラー LED が点灯。	セルの差異が大きすぎる (1V) 。	販売店にお問い合わせください。

バッテリー充電器

条件	想定される障害	可能な手順
充電 LED が赤色に点灯している。	永続的なバッテリー充電器エラーが発生しました。	販売店にお問い合わせください。

条件	想定される障害	可能な手順
充電 LED が緑色に点滅する。	動作温度外です。バッテリーの温度が低すぎるかまたは高すぎるため、使用または充電できません。	バッテリーの温度が下がるまで待つか、温度を上げます。バッテリーの温度が適切になると、使用または充電できるようになります。バッテリー充電器は周囲温度 5~40 °C (41~104 °F) で使用してください。
充電 LED が赤色に点滅する。	バッテリーの不具合	販売店にお問い合わせください。

搬送、保管、廃棄

搬送と保管

- 同梱のリチウムイオンバッテリーは、危険物の規制に関する規則に準拠しています。
- 民間の運送業者による商用輸送においては、梱包およびラベル付けに関して所定の要件に従ってください。
- 本製品を送送する前に、危険物に関して特別な訓練を受けた担当者にご相談ください。該当するすべての国内規制に従ってください。
- バッテリーを梱包するときは、露出している端子にテープを貼ってください。バッテリーを固定し、動かないように梱包してください。
- 保管する前に、必ず本機を冷ましてください。
- 保管するときや搬送時はバッテリーを外してください。
- バッテリーとバッテリー充電器は、乾燥して湿気や霜がない場所に置いてください。
- 静電気が発生する可能性のある場所に本製品を保管しないでください。バッテリーは金属製の箱に保管しないでください。
- バッテリーは温度が 5~25°C (41~77°F) の場所に保管し、直射日光から遠ざけてください。
- バッテリー充電器は温度が 5~45°C (41~113°F) の場所に保管し、直射日光から遠ざけてください。
- バッテリー充電器は、周囲温度が 5°C ~ 40°C の場合のみ使用してください。
- バッテリーを長期間保管するときは、充電量を 30~50 % にしてください。
- バッテリー充電器は、密閉した乾いた場所に保管してください。

- バッテリーの保管中は、バッテリー充電器から遠ざけてください。子供や許可されていない他の人が機器に触れないようにしてください。施錠できる場所に装置を保管してください。
- 製品を長期間保管する場合は、その前に製品を清掃し、よく点検しておいてください。
- 搬送中および保管中に製品が傷ついたり損傷したりしないように、製品の移動用ガードを使用してください。
- 搬送中は製品をしっかりと固定してください。

バッテリー、バッテリー充電器、および製品の廃棄

以下のマークは、本製品が家庭ゴミではないことを示しています。電気・電子機器のリサイクル業者にリサイクルを依頼してください。これは、環境および人への被害を防止するためです。

詳細については、自治体の担当部局、家庭ゴミ収集業者、または販売店にお問い合わせください。



注記： マークは、製品または製品の容器に表示されています。

主要諸元

主要諸元

	120iBV
モーター	
モータータイプ	BLDC (ブラシレス) 36 V

	120iBV
質量	
バッテリーを除いた質量、kg	4.6
騒音排出 ⁷³	
実測音響レベル dB (A)	97
保証音響レベル (L _{WA}) dB (A)	100
サウンドレベル ⁷⁴	
作業者の聴覚の等価音圧レベル。EN ISO 11203 および ISO 22868 に従った計測値、dB (A):	84
振動レベル ⁷⁵	
フロント / リヤハンドルの等価振動レベル、ISO 22867 に従って計測、m/s ²	1.4/1.7
ファン性能	
標準ノズル装着時、通常モードでの平均風量、m ³ /min	6.7
標準ノズル装着時、通常モードでの最大送風速度、m/s / mph	50/111

騒音と振動のデータは、定格最大速度に基づいて決定されます。

認可されたバッテリー

本製品には、必ず Husqvarna 純正の 40-B バッテリーを使用してください。

認可されたバッテリー

バッテリー	40-B140
タイプ	リチウムイオン
バッテリー容量 (Ah)	4
公称電圧、V	36
質量、kg	1.25

認可されたバッテリー充電器

バッテリー充電器	40-C80
主電源電圧 (V)	100/240
周波数、Hz	50/60
電力、W	72

⁷³ 環境における騒音の排出は、EC 指令 2000/14/EC に従って、音響パワー (L_{WA}) として測定。本機の騒音レベル報告値は、最高レベルとなるオリジナルのナイロンガードを使用して計測されました。保証音響と計測音響の違いは、保証音響に計測結果のばらつきと、同じモデルの異なる刈払機間の変動が含まれているためです。これは指令 2000/14/EC に則っています。

⁷⁴ 報告データによれば、製品の等価騒音レベルの一般的な統計上のばらつき (標準偏差) は 3 dB (A) です。

⁷⁵ 報告データによれば、等価振動レベルの一般的な統計上のばらつき (標準偏差) は、1.5 m/s² です。

バッテリー充電器	40-C80
出力電圧、V d.c./アンペア、A	43/1.6

適合宣言

EU 適合宣言

ハスクバーナ社(**Husqvarna AB**) SE-561 82 Huskvarna, Sweden、電話番号 : +46-36-146500) は、単独責任のもとで、以下の製品の適合を宣言します。

名称	手持ち式ガーデンブロワ / バキューム
ブランド	Husqvarna
タイプ / モデル	120iBV
ID	2022 年以降のシリアル番号

が以下の EU 指令および規制を完全に順守し、

規制	名称
2006/42/EC	「機械類に関する」
2014/30/EU	「電磁環境適合性に関する」
2011/65/EU	「電気・電子製品に含まれる特定有害物質の使用制限に関する」
2000/14/EC	「環境への騒音排出に関する」

および以下の規格または技術仕様が適用されています :
EN 60335-1:2012+A11+A13+A1+A14+A2+A15, EN 50636-2-100:2014, EN IEC 63000:2018, EN ISO 12100:2010, EN IEC 55014-1:2021; EN IEC 55014-2:2021

指令 2000/14/EC の付録 V に従って宣言された音響値については、主要諸元 450 ページを参照してください。

Huskvarna, 2023-01-16



Claes Losdal, R&D Manager, Husqvarna AB

正式代表兼技術文書担当





FR

Cet appareil,
ses cordons,
et batterie
se recyclent

À DÉPOSER
EN MAGASIN

OU

À DÉPOSER
EN DÉCHÈTERIE

Points de collecte sur www.quefairedemesdechets.fr
Privilégiez la réparation ou le don de votre appareil !

Husqvarna®

www.husqvarna.com

Original instructions
Оригинални инструкции
Αρχικές οδηγίες
Istruzioni originali
Originalanweisungen
Instructions d'origine
Originele instructies
Instrucțiuni inițiale
Instrucciones originales

Instruções originais
Orijinal talimatlar
Bruksanvisning i original
Originale instruktioner

Originale instruksjoner
Alkuperäiset ohjeet
Originaaljuhend
Lietošanas pamācība
Originalios instrukcijos
Originalne upute
Původní pokyny
Pôvodné pokyny
Originalne instrukcije
Eredeti útmutatás
Оригінальні інструкції
取扱説明書原本



FR



1143495-38

Rev. C



2024-01-26