

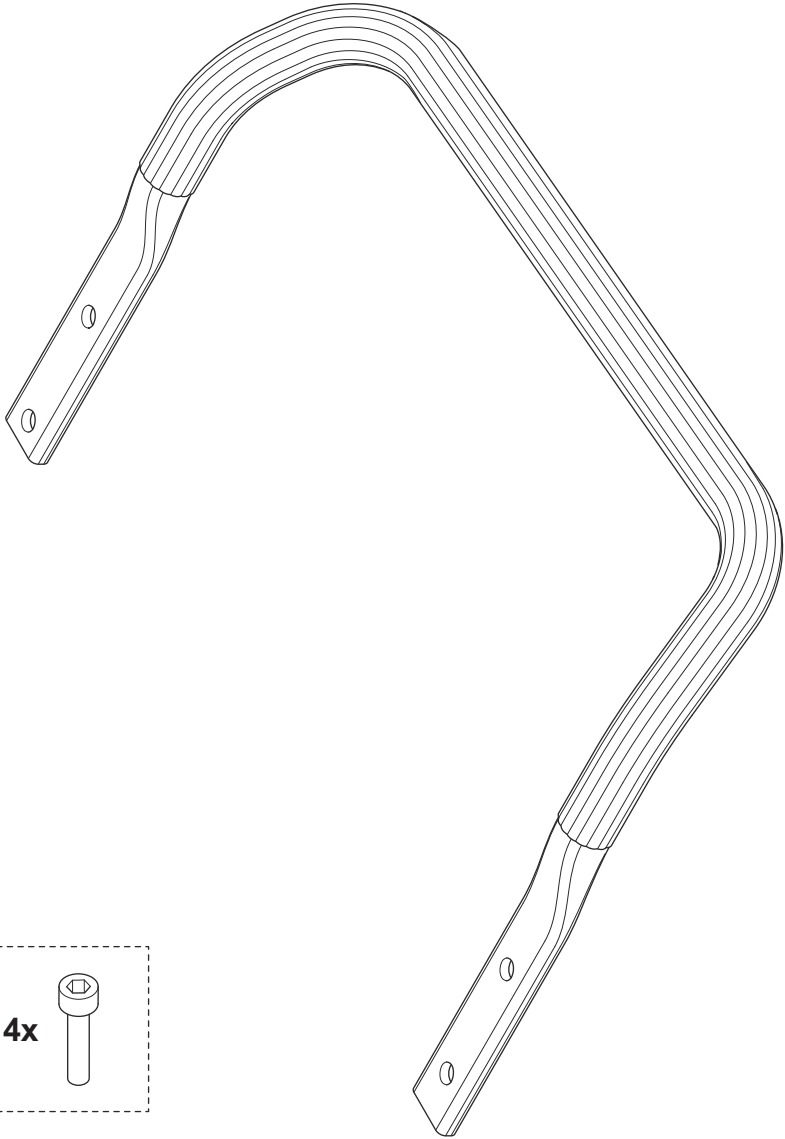


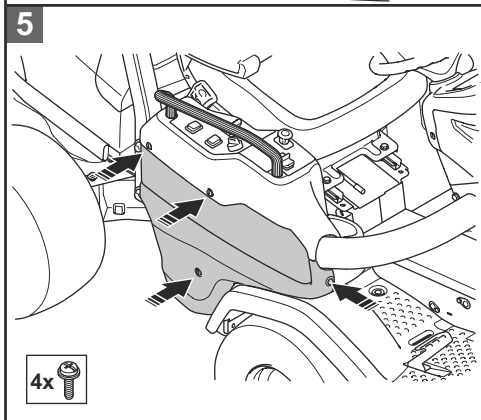
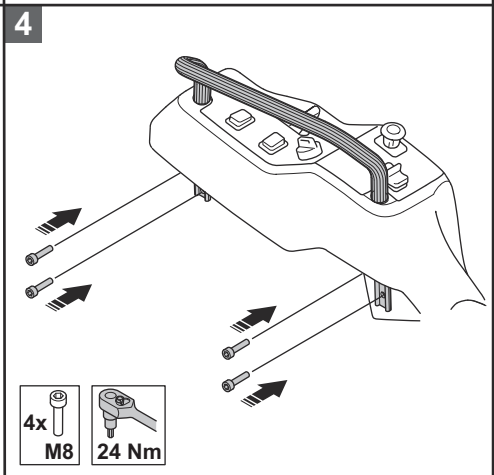
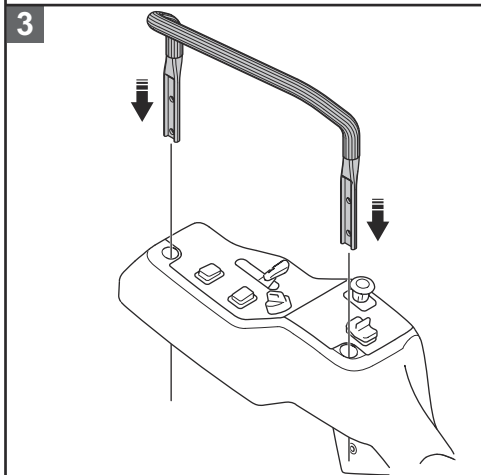
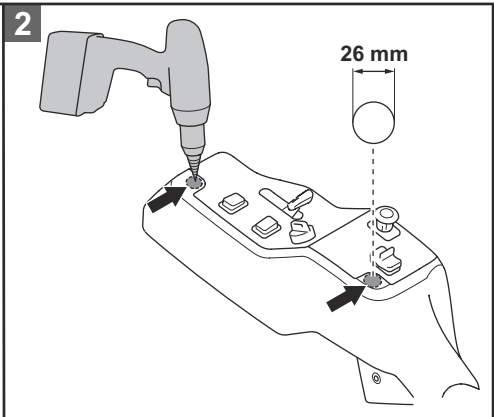
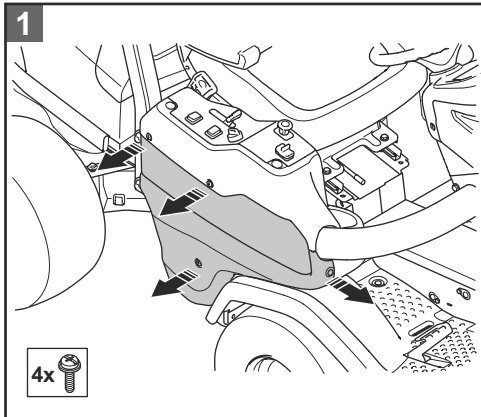
**H Husqvarna®**

## **Husqvarna Attachments**

**Handle kit 538 94 19-01**

Handle kit: 538 94 19-01







[www.husqvarna.com](http://www.husqvarna.com)

Original instructions



1143515-38



2023-02-21