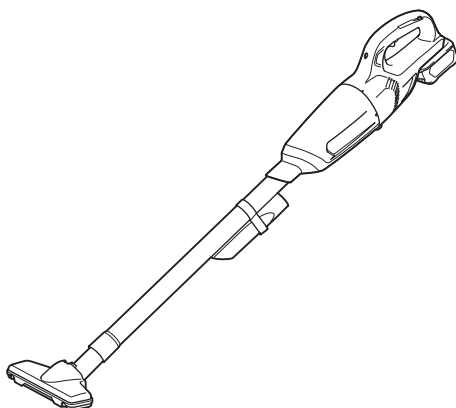
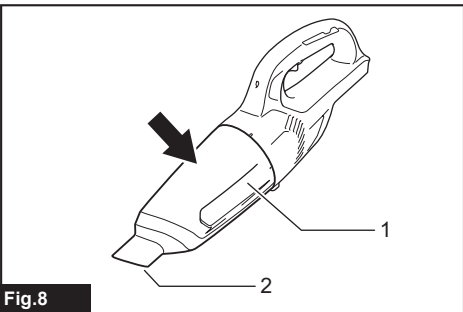
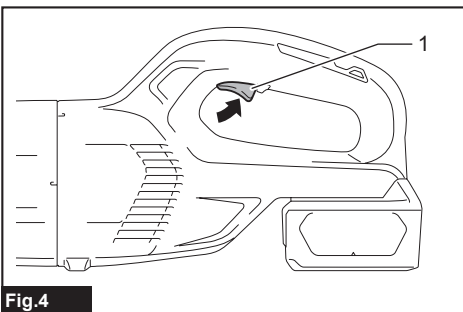
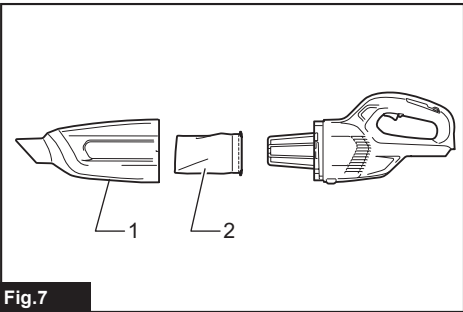
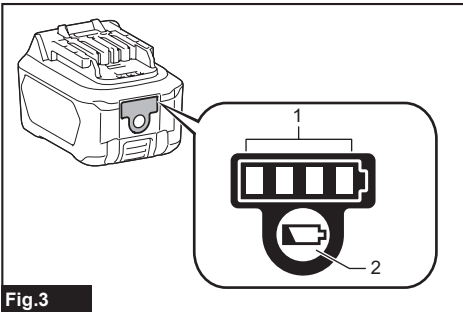
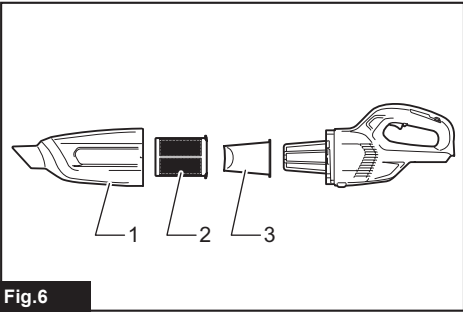
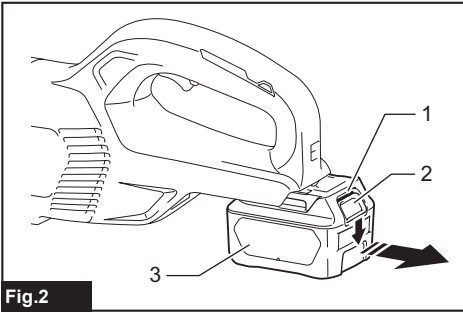
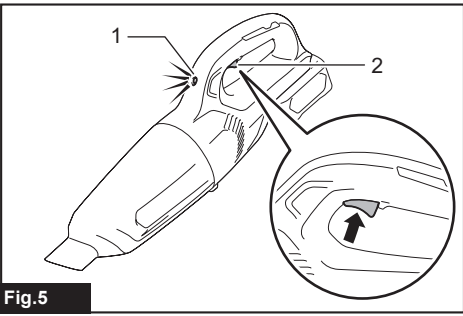
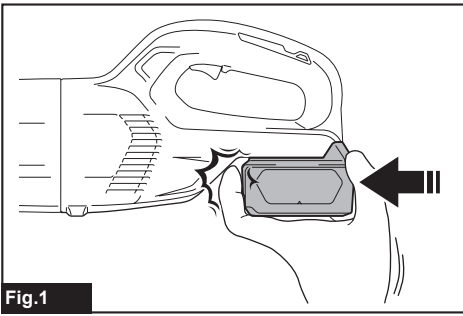




EN	Cordless Cleaner	INSTRUCTION MANUAL	8
FR	Aspirateur sans Fil	MANUEL D'INSTRUCTIONS	14
DE	Akku-Staubsauger	BETRIEBSANLEITUNG	20
IT	Aspiratore a batteria	ISTRUZIONI PER L'USO	27
NL	Accustofzuiger	GEBRUIKSAANWIJZING	34
ES	Aspiradora Inalámbrica	MANUAL DE INSTRUCCIONES	40
PT	Aspirador de pó a bateria	MANUAL DE INSTRUÇÕES	47
DA	Akku støvsuger	BRUGSANVISNING	53
EL	Φορητή σκούπα	ΕΓΧΕΙΡΙΔΙΟ ΟΔΗΓΙΩΝ	59
TR	Akülü Süpürge	KULLANMA KILAVUZU	66

CL106FD





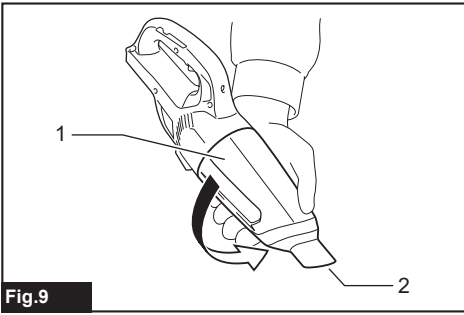


Fig.9

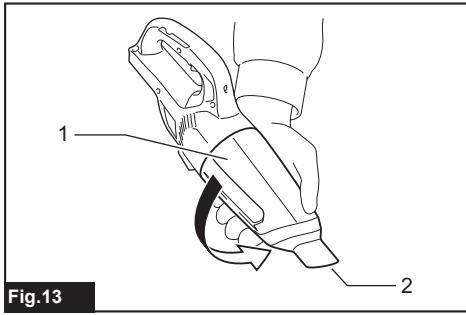


Fig.13

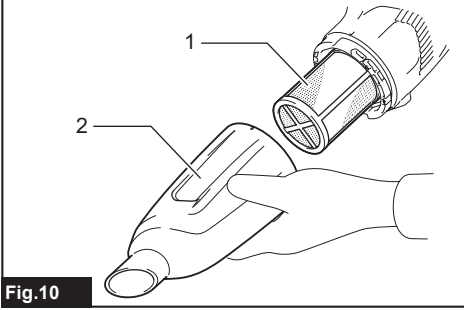


Fig.10

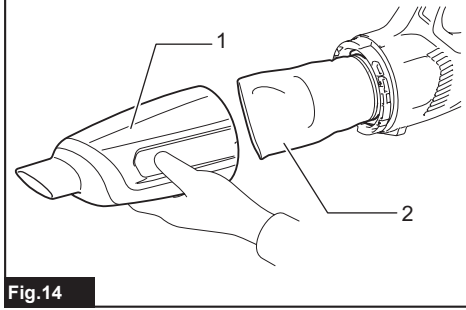


Fig.14

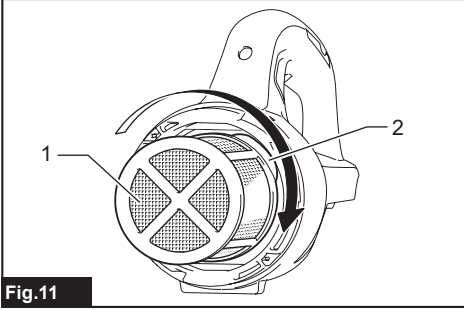


Fig.11

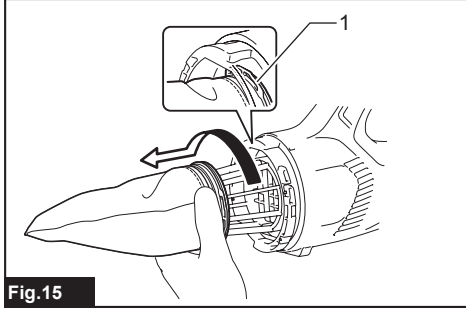


Fig.15

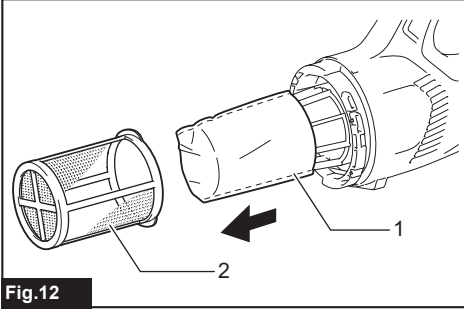


Fig.12

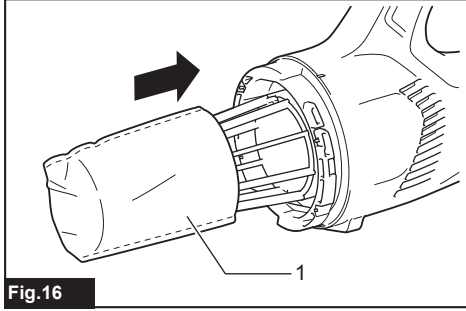
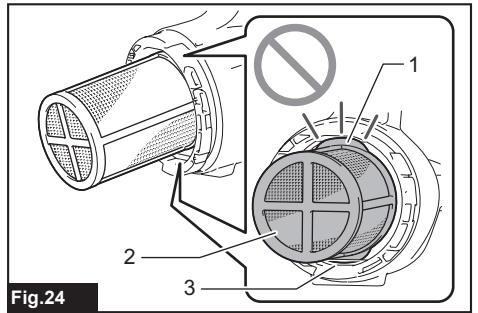
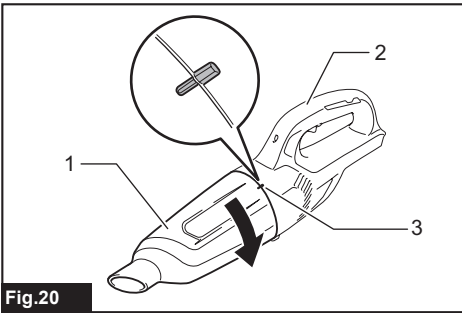
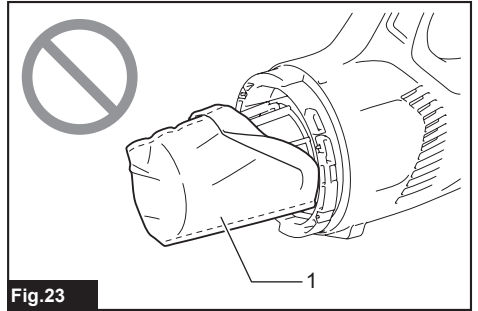
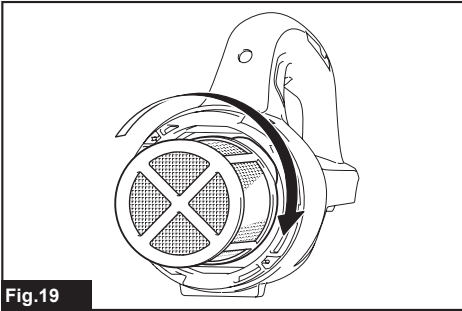
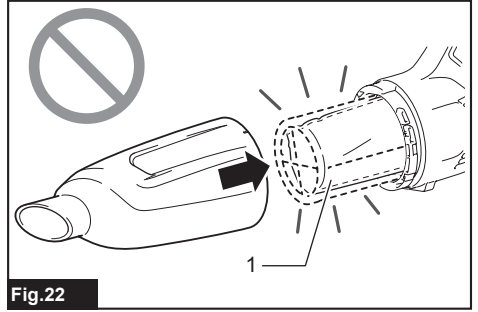
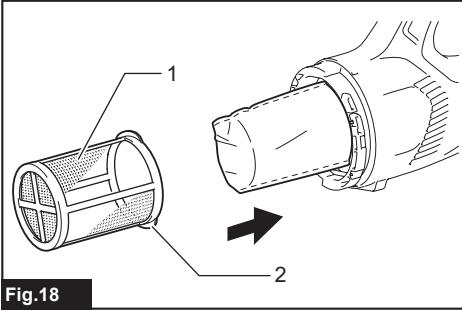
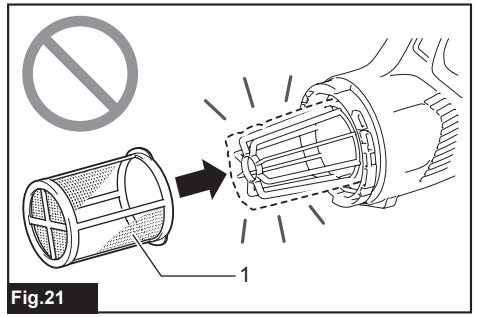
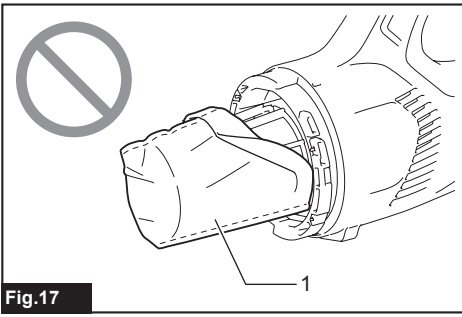
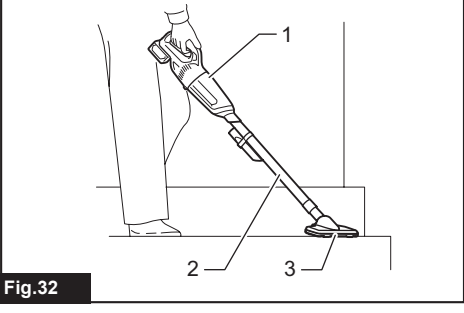
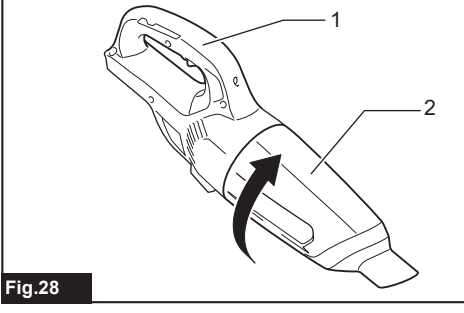
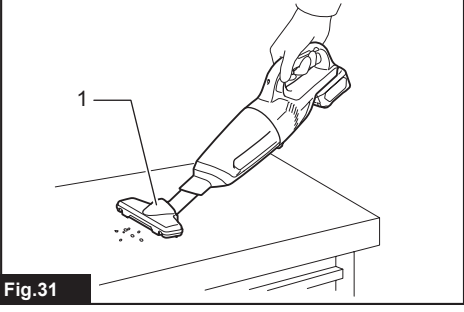
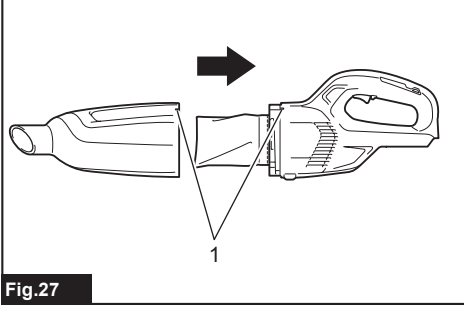
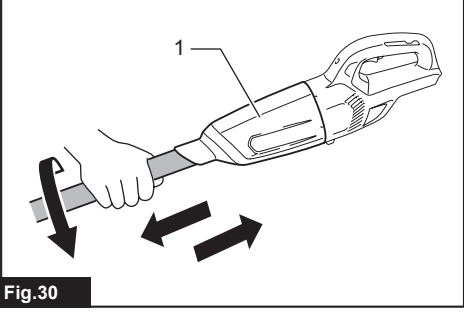
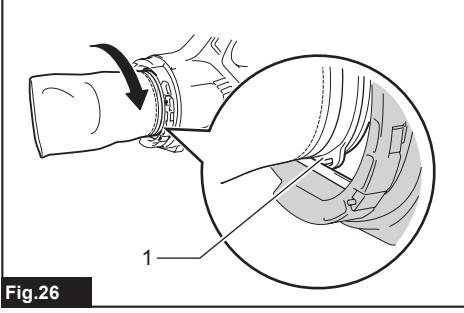
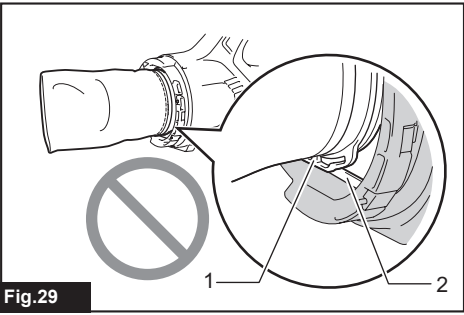
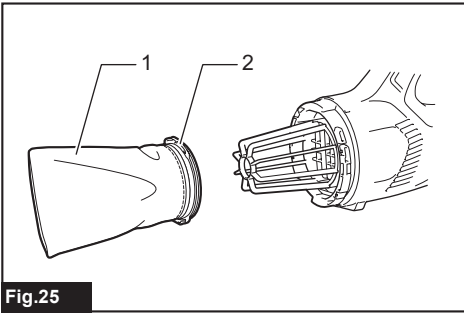
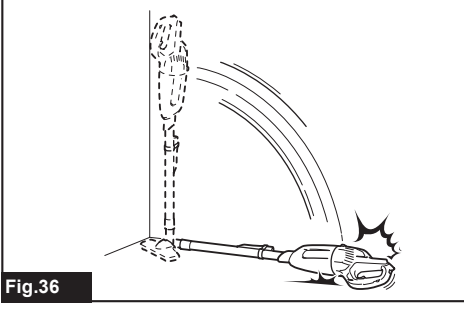
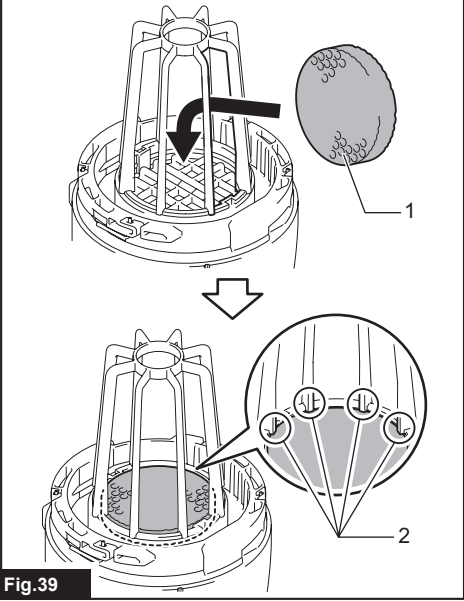
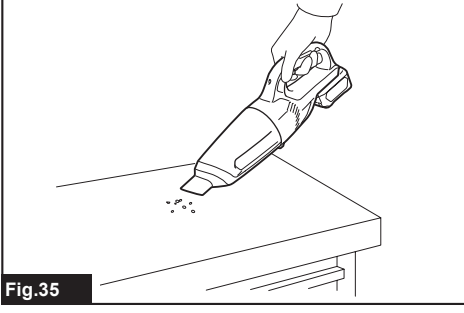
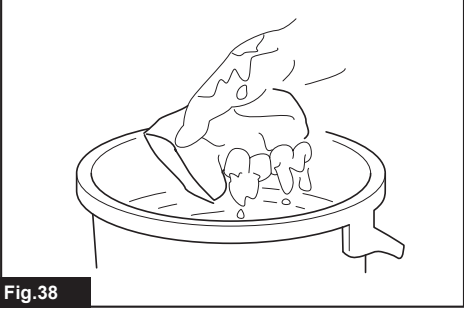
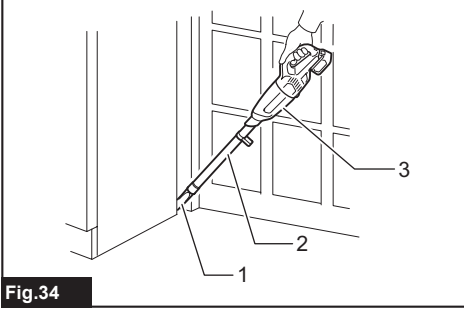
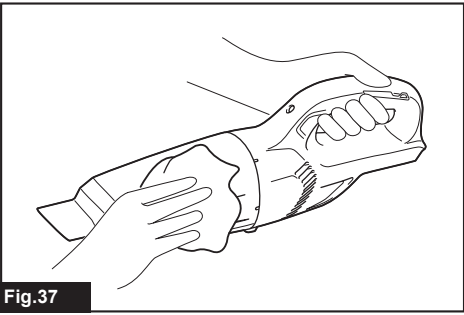
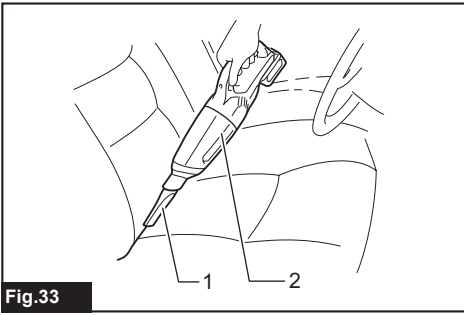


Fig.16







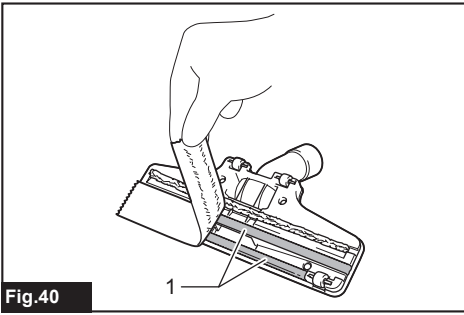


Fig.40

WARNING

This appliance can be used by children aged from 8 years and above and persons with reduced physical, sensory or mental capabilities or lack of experience and knowledge if they have been given supervision or instruction concerning use of the appliance in a safe way and understand the hazards involved. Children shall not play with the appliance. Cleaning and user maintenance shall not be made by children without supervision.

SPECIFICATIONS

Model:	CL106FD	
Capacity	600 mL	
Continuous use (with battery BL1016)	Approx. 16 min	
Overall length	958 mm	
Rated voltage	D.C. 10.8 V - 12 V max	
Battery cartridge	BL 1015 / BL 1016 / BL 1020B / BL 1021B	BL 1040B / BL 1041B
Net weight	1.0 kg	1.1 kg

- Due to our continuing program of research and development, the specifications herein are subject to change without notice.
- Specifications and battery cartridge may differ from country to country.
- Weight, with battery cartridge, according to EPTA-Procedure 01/2003

Symbols

The following show the symbols used for the equipment. Be sure that you understand their meaning before use.



Read instruction manual.



Ni-MH
Li-ion

Only for EU countries
Do not dispose of electric equipment or battery pack together with household waste material! In observance of the European Directives, on Waste Electric and Electronic Equipment and Batteries and Accumulators and Waste Batteries and Accumulators and their implementation in accordance with national laws, electric equipment and batteries and battery pack(s) that have reached the end of their life must be collected separately and returned to an environmentally compatible recycling facility.

Intended use

The tool is intended for collecting dry dust.

SAFETY WARNINGS

Cordless cleaner safety warnings

⚠ WARNING: IMPORTANT! READ CAREFULLY all safety warnings and all instructions BEFORE USE. Failure to follow the warnings and instructions may result in electric shock, fire and/or serious injury.

1. Do not expose to rain. Store indoors.
2. Do not allow to be used as a toy. Close attention is necessary when used by or near children.
3. Use only as described in this manual. Use only manufacturer's recommended attachments.
4. Do not use with damaged battery. If appliance is not working as it should, has been dropped, damaged, left outdoors, or dropped into water, return it to a service center.
5. Do not handle appliance with wet hands.
6. Do not put any object into openings. Do not use with any opening blocked; keep free of dust, lint, hair, and anything that may reduce air flow.
7. Keep hair, loose clothing, fingers, and all parts of body away from openings and moving parts.
8. Turn off all controls before removing the battery.

9. Use extra care when cleaning on stairs.
10. Do not use to pick up flammable or combustible liquids, such as gasoline, or use in areas where they may be present.
11. Use only the charger supplied by the manufacturer to recharge.
12. Do not pick up anything that is burning or smoking, such as cigarettes, matches, or hot ashes.
13. Do not use without dust bag and/or filters in place.
14. Do not charge the battery outdoors.
15. Recharge only with the charger specified by the manufacturer. A charger that is suitable for one type of battery pack may create a risk of fire when used with another battery pack.
16. Use power tools only with specifically designated battery packs. Use of any other battery packs may create a risk of injury and fire.
17. When (the) battery pack is not in use, keep it away from other metal objects, like paper clips, coins, keys, nails, screws or other small metal objects, that can make a connection from one terminal to another.
18. Under abusive conditions, liquid may be ejected from the battery; avoid contact. If contact accidentally occurs, flush with water.

SAVE THESE INSTRUCTIONS.

ADDITIONAL SAFETY RULES

This appliance is intended for household use.

1. Read this instruction manual and the charger instruction manual carefully before use.
2. Do not pick up the following materials:
 - Hot materials such as lit cigarettes or spark/metal dust generated by grinding/cutting metal
 - Flammable materials such as gasoline, thinner, benzine, kerosene or paint
 - Explosive materials like nitroglycerin
 - Ignitable materials such as Aluminum, zinc, magnesium, titanium, phosphorus or celluloid
 - Wet dirt, water, oil or the like
 - Hard pieces with sharp edges, such as wood chips, metals, stones, glasses, nails, pins or razors
 - Powder to clot such as cement or toner
 - Conductive dust such as metal or carbon
 - Fine particle like concrete dust
 Such action may cause fire, injury and/or property damage.
3. Stop operation immediately if you notice anything abnormal.
4. If you drop or strike the cleaner, check it carefully for cracks or damage before operation.
5. Do not bring close to stoves or other heat sources.
6. Do not block the intake hole or vent holes.

SAVE THESE INSTRUCTIONS.

Important safety instructions for battery cartridge

1. Before using battery cartridge, read all instructions and cautionary markings on (1) battery charger, (2) battery, and (3) product using battery.
2. Do not disassemble battery cartridge.
3. If operating time has become excessively shorter, stop operating immediately. It may result in a risk of overheating, possible burns and even an explosion.
4. If electrolyte gets into your eyes, rinse them out with clear water and seek medical attention right away. It may result in loss of your eyesight.
5. Do not short the battery cartridge:
 - (1) Do not touch the terminals with any conductive material.
 - (2) Avoid storing battery cartridge in a container with other metal objects such as nails, coins, etc.
 - (3) Do not expose battery cartridge to water or rain.

A battery short can cause a large current flow, overheating, possible burns and even a breakdown.

6. Do not store the tool and battery cartridge in locations where the temperature may reach or exceed 50 °C (122 °F).
7. Do not incinerate the battery cartridge even if it is severely damaged or is completely worn out. The battery cartridge can explode in a fire.
8. Be careful not to drop or strike battery.
9. Do not use a damaged battery.
10. The contained lithium-ion batteries are subject to the Dangerous Goods Legislation requirements.

For commercial transports e.g. by third parties, forwarding agents, special requirement on packaging and labeling must be observed.

For preparation of the item being shipped, consulting an expert for hazardous material is required. Please also observe possibly more detailed national regulations.

Tape or mask off open contacts and pack up the battery in such a manner that it cannot move around in the packaging.

11. Follow your local regulations relating to disposal of battery.
12. Use the batteries only with the products specified by Makita. Installing the batteries to non-compliant products may result in a fire, excessive heat, explosion, or leak of electrolyte.

SAVE THESE INSTRUCTIONS.

⚠ CAUTION: Only use genuine Makita batteries. Use of non-genuine Makita batteries, or batteries that have been altered, may result in the battery bursting causing fires, personal injury and damage. It will also void the Makita warranty for the Makita tool and charger.

Tips for maintaining maximum battery life

1. Charge the battery cartridge before completely discharged. Always stop tool operation and charge the battery cartridge when you notice less tool power.
2. Never recharge a fully charged battery cartridge. Overcharging shortens the battery service life.
3. Charge the battery cartridge with room temperature at 10 °C - 40 °C (50 °F - 104 °F). Let a hot battery cartridge cool down before charging it.

FUNCTIONAL DESCRIPTION

CAUTION: Always be sure that the tool is switched off and the battery cartridge is removed before adjusting or checking function on the tool.

CAUTION: Take care not to trap finger(s) between cleaner and battery as shown in diagram when loading battery. Trapping finger(s) may cause injury.

► Fig.1

Installing or removing battery cartridge

CAUTION: Always switch off the tool before installing or removing of the battery cartridge.

CAUTION: Hold the tool and the battery cartridge firmly when installing or removing battery cartridge. Failure to hold the tool and the battery cartridge firmly may cause them to slip off your hands and result in damage to the tool and battery cartridge and a personal injury.

► Fig.2: 1. Red indicator 2. Button 3. Battery cartridge

To remove the battery cartridge, slide it from the tool while sliding the button on the front of the cartridge.

To install the battery cartridge, align the tongue on the battery cartridge with the groove in the housing and slip it into place. Insert it all the way until it locks in place with a little click. If you can see the red indicator on the upper side of the button, it is not locked completely.

CAUTION: Always install the battery cartridge fully until the red indicator cannot be seen. If not, it may accidentally fall out of the tool, causing injury to you or someone around you.

CAUTION: Do not install the battery cartridge forcibly. If the cartridge does not slide in easily, it is not being inserted correctly.

Battery protection system

The tool is equipped with a battery protection system. This system automatically cuts off power to the motor to extend battery life. The tool will automatically stop during operation if the tool and/or battery are placed under the following condition:

Low battery voltage:

The remaining battery capacity is too low and the tool will not operate. If you turn the tool on, the motor runs again but stops soon. In this situation, remove and recharge the battery.

Indicating the remaining battery capacity

Only for battery cartridges with the indicator

► Fig.3: 1. Indicator lamps 2. Check button

Press the check button on the battery cartridge to indicate the remaining battery capacity. The indicator lamps light up for a few seconds.

Indicator lamps		Remaining capacity
Lighted	Off	
■ ■ ■ ■	□	75% to 100%
■ ■ ■ □	□	50% to 75%
■ ■ □ □	□ □	25% to 50%
■ □ □ □	□ □ □	0% to 25%

NOTE: Depending on the conditions of use and the ambient temperature, the indication may differ slightly from the actual capacity.

Switch action

CAUTION: Before installing the battery cartridge into the tool, always check to see that the switch trigger actuates properly and returns to the "OFF" position when released.

To start the tool, simply pull the switch trigger. Release the switch trigger to stop.

► Fig.4: 1. Switch trigger

Lighting up the lamp

CAUTION: Do not look in the light or see the source of light directly.

To turn on the lamp, pull the switch trigger. During the tool actuating, the lamp turns on.

Release the switch to turn off the lamp.

► Fig.5: 1. Lamp 2. Switch trigger

ASSEMBLY

CAUTION: Always be sure that the tool is switched off and the battery cartridge is removed before carrying out any work on the tool.

Type of filter

Normal filter

► Fig.6: 1. Capsule 2. Prefilter 3. Filter

High performance filter

► Fig.7: 1. Capsule 2. High performance filter

Disposing of dust

CAUTION: Empty the cleaner before it becomes too full, or the suction force weakens.

CAUTION: Be sure to empty the inside of the cleaner itself of dust. Failure to do so may cause the filter to be clogged or the motor to be damaged.

Disposing of dust for normal filter

In order to drop dust sticking on the filter in the capsule, tap the capsule 4 or 5 times with your hand.

► **Fig.8:** 1. Capsule 2. Suction inlet

Point the suction inlet downwards, turn the capsule in direction of the arrow as illustrated, and disconnect the capsule slowly and straight.

► **Fig.9:** 1. Capsule 2. Suction inlet

NOTE: Be sure to set a garbage bag beneath the capsule, as dust may spill out when the capsule is opened.

Remove accumulated dust from inside of the capsule and off of the prefilter.

► **Fig.10:** 1. Prefilter 2. Capsule

Twist the prefilter in direction of the arrow to unfasten the securing lip from the cleaner unit and then pull off the prefilter.

► **Fig.11:** 1. Prefilter 2. Securing lip

Clean out fine dust from the prefilter. And then, pull off the filter and lightly tap it to remove dust.

► **Fig.12:** 1. Filter 2. Prefilter

Disposing of dust for high performance filter

In order to drop dust sticking on the filter in the capsule, tap the capsule 4 or 5 times with your hand.

Now point suction inlet downwards, turn capsule in direction of arrow in diagram, and disconnect capsule slowly and straight.

► **Fig.13:** 1. Capsule 2. Suction inlet

NOTE: Dust may spill out when capsule is opened, so be sure to set a garbage bag beneath capsule.

Remove accumulated dust from inside of capsule and off of high performance filter.

► **Fig.14:** 1. Capsule 2. High performance filter

Twist high performance filter in direction of arrow to unfasten securing lip from cleaner unit and then pull off the filter.

► **Fig.15:** 1. Securing lip

Clean out the fine dust and lightly tap to dislodge dust from high performance filter.

Reassembly

Reassembly for normal filter

Put on the filter fully in position on the cleaner unit.

► **Fig.16:** 1. Filter

NOTICE: Make sure the filter is put on straight without being peeled back. If the filter is put on incorrectly as illustrated, dust will get into the motor housing, and cause a motor failure.

► **Fig.17:** 1. Filter

Install the prefilter. At this time, make sure to twist the prefilter so that the securing lip is firmly locked in the cleaner unit.

► **Fig.18:** 1. Prefilter 2. Securing lip

► **Fig.19**

Install the capsule. Align the mark on the capsule with the mark near the handle and then firmly twist the capsule in direction of the arrow until it is secured.

► **Fig.20:** 1. Capsule 2. Handle 3. Mark

NOTE: Always remove dust ahead of time, as the suction power will be reduced if there is too much dust in the cleaner.

NOTICE: Always be sure to check that both the filter and prefilter are loaded correctly prior to using the cleaner. If they are not loaded correctly, dust will get into the motor housing, and cause a motor failure. If the following examples occur, the filter and prefilter are not loaded correctly. Reload them correctly to rectify problem.

Problem Examples

Example 1: Only the prefilter has been loaded (no filter)

► **Fig.21:** 1. Prefilter

Example 2: Only the filter has been loaded (no prefilter)

► **Fig.22:** 1. Filter

Example 3: The filter has been loaded in a peeled back state

► **Fig.23:** 1. Filter

Example 4: The securing lip on the prefilter is not firmly locked in the groove of cleaner housing

► **Fig.24:** 1. Securing lip 2. Prefilter 3. Groove of cleaner housing

Reassembly for high performance filter

Connect high performance filter. At this time, make sure to twist high performance filter so that securing lip is firmly locked into cleaner unit.

► **Fig.25:** 1. High performance filter 2. Securing lip

► **Fig.26:** 1. Securing lip

Connect capsule. Align O symbol on capsule with O symbol on handle and then firmly twist capsule in direction of arrow until it is secured.

► **Fig.27:** 1. O Mark

► **Fig.28:** 1. Handle 2. Capsule

NOTE: Always remove dust ahead of time, as suction power will be reduced if there is too much dust in cleaner.

NOTE: Always be sure to check that high performance filter is loaded correctly prior to using cleaner. If they are not loaded correctly, dust will get into the motor housing, and cause motor failure. If the following examples occur, high performance filter is not loaded correctly. Reload them correctly to rectify problem.

Problem Examples

Securing lip of high performance filter is not firmly locked into groove of cleaner housing.

► **Fig.29:** 1. Securing lip 2. Groove of cleaner housing

OPERATION

CAUTION: To connect attachments, such as nozzle, twist and insert the attachment in direction of the arrow to secure the connection during use. To disconnect the attachments, twist and extract it also in direction of the arrow. If an attachment is twisted in the opposite direction when being connected or disconnected, the capsule may become loose.

► **Fig.30:** 1. Capsule

Cleaning (Suction)

Nozzle

Attach the nozzle to clean off tables, desks, furniture, etc. The nozzle slips on easily.

► **Fig.31:** 1. Nozzle

Nozzle + Extension wand (Straight pipe)

The extension wand fits in between the nozzle and the cleaner itself. This arrangement is convenient for cleaning a floor in a standing position.

► **Fig.32:** 1. Cleaner body 2. Extension wand
3. Nozzle

Corner nozzle

Fit on the corner nozzle for cleaning corners and crevices of a car or furniture.

► **Fig.33:** 1. Corner nozzle 2. Cleaner body

Corner nozzle +Extension wand (Straight pipe)

In tight quarters where the cleaner itself cannot squeeze in, or in high places hard to reach, use this arrangement.

► **Fig.34:** 1. Corner nozzle 2. Extension wand
3. Cleaner body

Cleaning without nozzle

You can pick up powder and dust without nozzle.

► **Fig.35**

MAINTENANCE

CAUTION: Always be sure that the tool is switched off and the battery cartridge is removed before attempting to perform inspection or maintenance.

After use

NOTICE: Putting the cleaner against the wall without any other support cause the cleaner to fall down and be damaged.

► **Fig.36**

Cleaning

NOTICE: Never use gasoline, benzine, thinner, alcohol or the like. Discoloration, deformation or cracks may result.

NOTICE: Do not blow dust sticking on the cleaner and filters by air duster. It brings dust into the housing and causes failure.

NOTICE: After washing filters, dry them thoroughly before use. Insufficiently dried filters may cause poor suction and shorten the service life of the motor.

NOTICE: After cleaning filters and sponge filter, be sure to re-install them before use. If you use the cleaner without filters and sponge filter, dust comes into the motor housing and cause malfunction.

Cleaner body

From time to time wipe off the outside (cleaner body) of the cleaner using a cloth dampened in soapy water.

Clean out also the suction opening and filter mounting area.

► **Fig.37**

Filter

Wash the filter in soapy water when it is clogged with dust and the cleaner power becomes weak. Dry it out thoroughly before use.

► **Fig.38**

Sponge filter

When the sponge filter becomes dirty, clean it as follows.

1. Remove the filter.
2. Pull out the sponge filter from between the pillars.
3. Clean the sponge filter by tapping or washing. If you wash it, dry it out thoroughly before use.
4. Insert the sponge filter from between the pillars and set it in the original position. Make sure that each bottom edge of the pillar holds down the sponge filter, and there is no gap between the sponge filter and suction opening.

► **Fig.39:** 1. Sponge filter 2. Bottom edge of pillar

The nozzle cleaning

When the nozzle brush gets dusty, clean up the dust with sticky.

► **Fig.40: 1.** Brush

Troubleshooting

Before asking for repairs, check the following points.

Symptom	Area to be investigated	Fixing method
Weak suction power	Is the capsule full of dust?	Empty the capsule of dust.
	Is the filter clogged?	Clean or wash the filter.
	Is the battery cartridge exhausted ?	Charge the battery cartridge.
Not working	Is the battery cartridge exhausted ?	Charge the battery cartridge.

⚠ CAUTION: Do not attempt to repair the cleaner by yourself.

To maintain product SAFETY and RELIABILITY, repairs, any other maintenance or adjustment should be performed by Makita Authorized or Factory Service Centers, always using Makita replacement parts.

OPTIONAL ACCESSORIES

⚠ CAUTION: These accessories or attachments are recommended for use with your Makita tool specified in this manual. The use of any other accessories or attachments might present a risk of injury to persons. Only use accessory or attachment for its stated purpose.

If you need any assistance for more details regarding these accessories, ask your local Makita Service Center.

- Extension wand (Straight pipe)
- Nozzle
- Nozzle for carpet
- Shelf brush
- Corner nozzle
- Round brush
- Flexible hose
- Filter
- Prefilter
- High performance filter
- Makita genuine battery and charger

NOTE: Some items in the list may be included in the tool package as standard accessories. They may differ from country to country.

AVERTISSEMENT

Cet appareil peut être utilisé par des enfants de 8 ans et plus, ainsi que par des personnes présentant des capacités physiques, sensorielles ou mentales réduites, ou par des personnes dénuées d'expérience et de connaissances s'ils ont pu faire l'objet d'une surveillance ou recevoir des instructions préalables concernant l'utilisation en toute sécurité de l'appareil et s'ils comprennent les risques associés. Ne laissez pas les enfants jouer avec l'appareil. Le nettoyage et l'entretien à la charge de l'utilisateur ne doivent pas être réalisés par des enfants sans surveillance.

SPÉCIFICATIONS

Modèle :	CL106FD	
Capacité	600 ml	
Utilisation continue (avec batterie BL1016)	Environ 16 minutes	
Longueur totale	958 mm	
Tension nominale	10,8 V - 12 V CC max.	
Batterie	BL1015 / BL1016 / BL1020B / BL1021B	BL1040B / BL1041B
Poids net	1,0 kg	1,1 kg

- Étant donné l'évolution constante de notre programme de recherche et de développement, les spécifications contenues dans ce manuel sont sujettes à modification sans préavis.
- Les spécifications et la batterie peuvent être différentes suivant les pays.
- Poids, avec la batterie, conformément à la procédure EPTA-01/2003

Symboles

Vous trouverez ci-dessous les symboles utilisés pour l'appareil. Veuillez à comprendre leur signification avant toute utilisation.



Lire le mode d'emploi.



Uniquement pour les pays européens
Ne jetez pas les appareils électriques ou les batteries avec vos ordures ménagères ! Conformément aux directives européennes relatives aux déchets d'équipements électriques et électroniques et aux piles et accumulateurs ainsi qu'aux déchets de piles et d'accumulateurs et leur mise en œuvre conformément aux lois nationales, les équipements électriques et les piles et batteries en fin de vie doivent faire l'objet d'une collecte sélective et être confiés à une usine de recyclage respectueuse de l'environnement.

Utilisations

L'outil est conçu pour la collecte des poussières sèches.

CONSIGNES DE SÉCURITÉ

Consignes de sécurité pour aspirateur sans fil

⚠ AVERTISSEMENT : IMPORTANT ! LIRE ATTENTIVEMENT toutes les consignes de sécurité et toutes les instructions AVANT UTILISATION. Le non-respect des avertissements et des instructions peut entraîner une électrocution, un incendie et/ou de graves blessures.

1. **Ne pas exposer à la pluie. Ranger à l'intérieur.**
2. **Ne pas laisser utiliser comme jouet. Une surveillance étroite est requise lors de l'utilisation par un enfant ou près d'un enfant.**
3. **Utiliser uniquement de la façon décrite dans ce manuel. Utiliser uniquement les accessoires recommandés par le fabricant.**
4. **Ne pas utiliser avec une batterie endommagée. Si l'appareil ne fonctionne pas comme il devrait, s'il est tombé, s'il a été endommagé, laissé à l'extérieur ou s'il est tombé dans l'eau, le renvoyer à un centre de service après-vente.**

5. Ne pas manipuler l'appareil avec les mains mouillées.
6. N'insérer aucun objet dans les ouvertures. Ne pas utiliser si l'une des ouvertures est bloquée ; toujours enlever les poussières, peluches, cheveux et autres corps étrangers pouvant affecter la circulation de l'air.
7. Garder les cheveux, vêtements amples, doigts et toute autre partie du corps à l'écart des ouvertures et des pièces en mouvement.
8. Désactiver toutes les commandes avant de retirer la batterie.
9. Redoubler de prudence lorsque l'on passe l'aspirateur dans un escalier.
10. Ne pas utiliser pour collecter des liquides inflammables ou combustibles tels que l'essence, ou dans des zones où de tels liquides peuvent être présents.
11. Pour charger la batterie, utiliser uniquement le chargeur fourni par le fabricant.
12. Ne collecter aucune substance enflammée ou qui dégage de la fumée, telles que cigarettes, allumettes ou cendres chaudes.
13. Ne pas utiliser sans avoir posé le sac à poussière et/ou les filtres.
14. Ne pas charger la batterie à l'extérieur.
15. Recharger la batterie uniquement avec le chargeur spécifié par le fabricant. Un chargeur prévu pour un type de batterie peut être à l'origine d'un incendie s'il est utilisé avec une autre batterie.
16. Utiliser l'outil électrique uniquement avec la batterie spécifiquement indiquée. L'utilisation de toute autre batterie peut présenter un risque de blessure et d'incendie.
17. Lorsque la batterie n'est pas utilisée, la tenir à l'écart des objets métalliques, comme des trombones, pièces de monnaie, clés, clous, vis ou autres petits objets métalliques, susceptibles de créer une connexion entre deux bornes.
18. Dans des conditions d'utilisation inadéquate, il peut y avoir une fuite de l'électrolyte de la batterie. Le cas échéant, éviter tout contact avec ce liquide. En cas de contact accidentel, rincer à l'eau.

CONSERVEZ CES INSTRUCTIONS.

CONSIGNES DE SÉCURITÉ ADDITIONNELLES

Cet appareil est conçu pour l'utilisation à l'intérieur.

1. Lire attentivement ce manuel d'instructions et celui du chargeur avant l'utilisation.
 2. Ne pas collecter les matériaux suivants :
 - Matériaux chauds tels que cigarettes allumées, étincelles ou poussières de métal générées par le meulage ou la coupe du métal
 - Matériaux inflammables tels que l'essence, les diluants, la benzine, le kérosène et la peinture
 - Matériaux explosifs tels que la nitroglycérine
 - Matériaux inflammables tels que l'aluminium, le zinc, le magnésium, le titane, le phosphore ou le celluloid
 - Saletés mouillées, eau, huile, etc.
 - Pièces dures à bords tranchants, telles que copeaux de bois, pièces de métal, pierres, verres, clous, broches ou lames de rasoir
 - Poudres agglomérantes telles que ciment en poudre ou encre en poudre
 - Poussière conductrice telle que poussière de métal ou de carbone
 - Particules fines telles que la poussière de béton
- La collecte de tels matériaux peut entraîner un incendie, des dommages corporels et/ou matériels.
3. Cesser immédiatement l'utilisation en cas d'anomalie.
 4. Si l'aspirateur tombe ou est heurté, vérifier attentivement l'absence de fissures ou de dommages avant l'utilisation.
 5. Ne pas approcher des fourneaux ou autres sources de chaleur.
 6. Ne pas bloquer les orifices d'entrée ou de sortie d'air.

CONSERVEZ CES INSTRUCTIONS.

Consignes de sécurité importantes pour la batterie

1. Avant d'utiliser la batterie, lisez toutes les instructions et précautions relatives (1) au chargeur de batterie, (2) à la batterie, et (3) au produit utilisant la batterie.
2. Ne démontez pas la batterie.
3. Cessez immédiatement l'utilisation si le temps de fonctionnement devient excessivement court. Il y a risque de surchauffe, de brûlures, voire d'explosion.
4. Si l'électrolyte pénètre dans vos yeux, rincez-les à l'eau claire et consultez immédiatement un médecin. Il y a risque de perte de la vue.
5. Ne court-circuitez pas la batterie :
 - (1) Ne touchez les bornes avec aucun matériau conducteur.
 - (2) Évitez de ranger la batterie dans un conteneur avec d'autres objets métalliques, par exemple des clous, des pièces de monnaie, etc.
 - (3) N'exposez pas la batterie à l'eau ou à la pluie. Un court-circuit de la batterie peut provoquer une intensité de courant élevée, une surchauffe, parfois des brûlures et même une panne.
6. Ne rangez pas l'outil et la batterie dans un endroit où la température risque d'atteindre ou de dépasser 50 °C.
7. Ne jetez pas la batterie au feu même si elle est sérieusement endommagée ou complètement épuisée. La batterie peut exploser au contact du feu.
8. Évitez de laisser tomber ou de cogner la batterie.
9. N'utilisez pas la batterie si elle est endommagée.
10. Les batteries au lithium-ion contenues sont soumises aux exigences de la législation sur les marchandises dangereuses.

Lors du transport commercial par des tierces parties ou des transitaires par exemple, des exigences spécifiques en matière d'étiquetage et d'emballage doivent être respectées.

Pour la préparation de l'article expédié, il est nécessaire de consulter un expert en matériau dangereux. Veuillez également respecter les réglementations nationales susceptibles d'être plus détaillées.

Recouvrez les contacts exposés avec du ruban adhésif ou du ruban de masquage et emballez la batterie de telle sorte qu'elle ne puisse pas bouger dans l'emballage.
11. Suivez les réglementations locales en matière de mise au rebut des batteries.

12. **Utilisez les batteries uniquement avec les produits spécifiés par Makita.** L'insertion de batteries dans des produits non conformes peut provoquer un incendie, une chaleur excessive, une explosion ou une fuite de l'électrolyte.

CONSERVEZ CES INSTRUCTIONS.

ATTENTION : N'utilisez que des batteries Makita d'origine. L'utilisation de batteries de marque autre que Makita ou de batteries modifiées peut provoquer l'explosion des batteries, ce qui présente un risque d'incendie, de dommages matériels et corporels. Cela annulera également la garantie Makita pour l'outil et le chargeur Makita.

Conseils pour assurer la durée de vie optimale de la batterie

1. **Chargez la batterie avant qu'elle ne soit complètement déchargée. Arrêtez toujours l'outil et rechargez la batterie quand vous remarquez que la puissance de l'outil diminue.**
2. **Ne rechargez jamais une batterie complètement chargée. La surcharge réduit la durée de service de la batterie.**
3. **Chargez la batterie à une température ambiante comprise entre 10 °C et 40 °C. Avant de charger une batterie chaude, laissez-la refroidir.**

DESCRIPTION DU FONCTIONNEMENT

ATTENTION : Assurez-vous toujours que l'outil est hors tension et que sa batterie est retirée avant de l'ajuster ou de vérifier son fonctionnement.

ATTENTION : Lors de la mise en place de la batterie, prenez garde de ne pas vous coincer les doigts entre l'aspirateur et la batterie, tel qu'illustré sur le schéma. Il y a un risque de blessure si vous vous coincer les doigts.

► Fig.1

Insertion ou retrait de la batterie

ATTENTION : Éteignez toujours l'outil avant de mettre en place ou de retirer la batterie.

ATTENTION : Tenez fermement l'outil et la batterie lors de la mise en place ou du retrait de la batterie. Si vous ne tenez pas fermement l'outil et la batterie, ils peuvent vous glisser des mains, et s'abîmer ou vous blesser.

► Fig.2: 1. Voyant rouge 2. Bouton 3. Batterie

Pour retirer la batterie, faites-la glisser hors de l'outil tout en faisant glisser le bouton à l'avant de la batterie. Pour mettre en place la batterie, alignez la languette sur la batterie avec la rainure sur le compartiment et insérez-la. Insérez-la à fond jusqu'à ce qu'un léger déclic se fasse entendre. Si le voyant rouge sur le dessus du bouton est visible, cela signifie qu'elle n'est pas bien verrouillée.

ATTENTION : Insérez toujours complètement la batterie jusqu'à ce que le voyant rouge ne soit plus visible. Sinon, elle pourrait tomber accidentellement de l'outil, au risque de vous blesser ou de blesser quelqu'un se trouvant près de vous.

ATTENTION : N'insérez pas la batterie de force. Si elle ne glisse pas facilement, c'est que vous ne l'insérez pas correctement.

Système de protection de la batterie

L'outil est équipé d'un système de protection de la batterie. Ce système coupe automatiquement le courant de l'outil pour prolonger la durée de service de la batterie.

L'outil s'arrêtera automatiquement en cours d'utilisation si l'outil et/ou la batterie se trouvent dans la situation suivante :

Faible tension de la batterie :

La charge restante de la batterie est trop faible et l'outil ne fonctionne pas. Si vous mettez l'outil sous tension, le moteur redémarre, mais s'arrête rapidement. Le cas échéant, retirez et rechargez la batterie.

Indication de la charge restante de la batterie

Uniquement pour les batteries avec voyant lumineux

► Fig.3: 1. Témoins 2. Bouton de vérification

Appuyez sur le bouton de vérification sur la batterie pour indiquer la charge restante de la batterie. Les témoins s'allument pendant quelques secondes.

Témoins		Charge restante
Allumé	Éteint	
■	□	75 % à 100 %
■ ■ ■ ■		
■ ■ ■ □		50 % à 75 %
■ ■ □ □		25 % à 50 %
■ □ □ □		0 % à 25 %

NOTE : Selon les conditions d'utilisation et la température ambiante, l'indication peut être légèrement différente de la capacité réelle.

Fonctionnement de la gâchette

ATTENTION : Avant d'insérer la batterie dans l'outil, vérifiez toujours que la gâchette fonctionne bien et revient en position d'arrêt lorsque vous la relâchez.

Pour mettre l'outil en marche, enclenchez simplement la gâchette. Pour l'arrêter, relâchez la gâchette.

► Fig.4: 1. Gâchette

Allumage de la lampe

ATTENTION : Évitez de regarder directement le faisceau lumineux ou sa source.

Pour allumer la lampe, enclenchez la gâchette. La lampe s'allume pendant le fonctionnement de l'outil. Relâchez l'interrupteur pour éteindre la lampe.

► **Fig.5:** 1. Lampe 2. Gâchette

ASSEMBLAGE

ATTENTION : Assurez-vous toujours que l'outil est hors tension et que sa batterie est retirée avant d'effectuer toute tâche dessus.

Type de filtre

Filtre normal

► **Fig.6:** 1. Capsule 2. Préfiltre 3. Filtre

Filtre haute performance

► **Fig.7:** 1. Capsule 2. Filtre haute performance

Mise au rebut des poussières

ATTENTION : Videz l'aspirateur avant qu'il ne soit trop plein, autrement sa puissance d'aspiration sera moindre.

ATTENTION : Vérifiez bien qu'il n'y a plus de poussières à l'intérieur de l'aspirateur lui-même. Autrement le filtre risque de se boucher ou le moteur de subir des dommages.

Mise au rebut des poussières du filtre normal

Pour faire tomber dans la capsule la poussière qui adhère au filtre, tapez 4 ou 5 fois sur la capsule avec la main.

► **Fig.8:** 1. Capsule 2. Entrée d'aspiration

Dirigez l'entrée d'aspiration vers le bas, tournez la capsule dans le sens de la flèche comme illustré et déconnectez la capsule en tirant lentement et bien droit.

► **Fig.9:** 1. Capsule 2. Entrée d'aspiration

NOTE : Pensez à placer un sac-poubelle sous la capsule, car la poussière risque de s'échapper lors de l'ouverture de la capsule.

Retirez la poussière accumulée à l'intérieur de la capsule et sur le préfiltre.

► **Fig.10:** 1. Préfiltre 2. Capsule

Tournez le préfiltre dans le sens de la flèche pour desserrer l'onglet de blocage de l'aspirateur, puis retirez le préfiltre en tirant dessus.

► **Fig.11:** 1. Préfiltre 2. Onglet de blocage

Enlevez les fines poussières du préfiltre. Retirez ensuite le filtre, puis tapez légèrement dessus pour dégager la poussière.

► **Fig.12:** 1. Filtre 2. Préfiltre

Mise au rebut des poussières du filtre haute performance

Pour faire tomber dans la capsule la poussière qui adhère au filtre, tapez 4 ou 5 fois sur la capsule avec la main.

À présent, dirigez l'entrée d'aspiration vers le bas, tournez la capsule dans le sens de la flèche sur le schéma et déconnectez la capsule en tirant lentement et bien droit.

► **Fig.13:** 1. Capsule 2. Entrée d'aspiration

NOTE : La poussière risquant de s'échapper lors de l'ouverture de la capsule, pensez à placer un sac-poubelle sous la capsule.

Retirez la poussière accumulée à l'intérieur de la capsule et sur le filtre haute performance.

► **Fig.14:** 1. Capsule 2. Filtre haute performance

Tournez le filtre haute performance dans le sens de la flèche pour desserrer l'onglet de blocage de l'aspirateur, puis retirez le filtre en tirant dessus.

► **Fig.15:** 1. Onglet de blocage

Enlevez les poussières fines et tapez légèrement pour déloger la poussière du filtre haute performance.

Remontage

Remontage du filtre normal

Posez le filtre parfaitement en position sur l'aspirateur.

► **Fig.16:** 1. Filtre

REMARQUE : Assurez-vous que le filtre est posé bien droit et inséré à fond. Si le filtre est mal posé comme illustré, la poussière pénétrera dans le carter du moteur entraînant une panne de moteur.

► **Fig.17:** 1. Filtre

Installez le préfiltre. Pensez alors à tourner le préfiltre de sorte que l'onglet de blocage soit fermement verrouillé dans l'aspirateur.

► **Fig.18:** 1. Préfiltre 2. Onglet de blocage

► **Fig.19**

Installez la capsule. Alignez le repère sur la capsule avec le repère près de la poignée, puis tournez fermement la capsule dans le sens de la flèche jusqu'à ce qu'elle soit verrouillée.

► **Fig.20:** 1. Capsule 2. Poignée 3. Repère

NOTE : Retirez toujours la poussière à l'avance, car la puissance d'aspiration diminuera s'il y a trop de poussière dans l'aspirateur.

REMARQUE : Avant d'utiliser l'aspirateur, vérifiez toujours que le filtre et le préfiltre sont tous deux bien posés. S'ils ne sont pas bien posés, la poussière pénétrera dans le carter du moteur entraînant une panne de moteur. Dans les exemples suivants, le filtre et le préfiltre ne sont pas correctement posés. Réposez-les correctement pour régler le problème.

Exemples de problème

Exemple 1 : seul le préfiltre a été posé (sans le filtre)

► **Fig.21:** 1. Préfiltre

Exemple 2 : seul le filtre a été posé (sans le préfiltre)

► **Fig.22:** 1. Filtre

Exemple 3 : le filtre est posé, mais n'est pas inséré à fond

► **Fig.23:** 1. Filtre

Exemple 4 : l'onglet de blocage du préfiltre n'est pas bien verrouillé dans la rainure du carter de l'aspirateur

► **Fig.24:** 1. Onglet de blocage 2. Préfiltre 3. Rainure du carter de l'aspirateur

Remontage du filtre haute performance

Connectez le filtre haute performance. Pensez alors à tourner le filtre haute performance de sorte que l'onglet de blocage soit fermement verrouillé dans l'aspirateur.

► **Fig.25:** 1. Filtre haute performance 2. Onglet de blocage

► **Fig.26:** 1. Onglet de blocage

Connectez la capsule. Alignez le symbole O sur la capsule avec le symbole O sur la poignée, puis tournez fermement la capsule dans le sens de la flèche jusqu'à ce qu'elle soit verrouillée.

► **Fig.27:** 1. Repère O

► **Fig.28:** 1. Poignée 2. Capsule

NOTE : Retirez toujours la poussière à l'avance, car la puissance d'aspiration diminuera s'il y a trop de poussière dans l'aspirateur.

NOTE : Avant d'utiliser l'aspirateur, vérifiez toujours que le filtre haute performance est bien posé. S'ils ne sont pas bien posés, la poussière pénétrera dans le carter du moteur entraînant une panne du moteur. Dans les exemples suivants, le filtre haute performance n'est pas correctement posé. Reposez-les correctement pour régler le problème.

Exemples de problème

L'onglet de blocage du filtre haute performance n'est pas bien verrouillé dans la rainure du carter de l'aspirateur.

► **Fig.29:** 1. Onglet de blocage 2. Rainure du carter de l'aspirateur

UTILISATION

⚠ATTENTION : Pour connecter un accessoire comme un suceur, insérez-le en tournant dans le sens de la flèche pour assurer une connexion sûre pendant l'utilisation. Pour déconnecter l'accessoire, tirez en tournant également dans le sens de la flèche. Si l'accessoire est tourné dans le sens contraire pour le connecter ou le déconnecter, la capsule risquera de se desserrer.

► **Fig.30:** 1. Capsule

Nettoyage (aspiration)

Suceur

Fixez le suceur pour nettoyer les tables, bureaux, meubles, etc. Le suceur se glisse facilement en place.

► **Fig.31:** 1. Suceur

Suceur + Tube prolongateur (tuyau droit)

Le tube prolongateur s'installe entre le suceur et l'aspirateur. Il permet de passer l'aspirateur sur le sol tout en se tenant debout.

► **Fig.32:** 1. Corps de l'aspirateur 2. Tube prolongateur 3. Suceur

Suceur plat

Installez le suceur plat pour passer l'aspirateur dans les coins ou dans les interstices d'un véhicule ou d'un meuble.

► **Fig.33:** 1. Suceur plat 2. Corps de l'aspirateur

Suceur plat + Tube prolongateur (tuyau droit)

Utilisez cette combinaison pour passer l'aspirateur dans les endroits exigus où l'aspirateur seul ne peut pas se faufiler ou dans les endroits élevés difficiles à atteindre.

► **Fig.34:** 1. Suceur plat 2. Tube prolongateur 3. Corps de l'aspirateur

Nettoyage sans suceur

Le suceur n'est pas nécessaire pour aspirer de la poudre ou des poussières.

► **Fig.35**

ENTRETIEN

⚠ATTENTION : Assurez-vous toujours que l'outil est hors tension et que la batterie est retirée avant d'y effectuer tout travail d'inspection ou d'entretien.

Après l'utilisation

REMARQUE : Si vous posez l'aspirateur contre le mur sans aucun autre soutien, il risque de tomber et de subir des dommages.

► **Fig.36**

Nettoyage

REMARQUE : N'utilisez jamais d'essence, benzine, diluant, alcool ou autre produit similaire. Cela risquerait de provoquer la décoloration, la déformation ou la fissuration de l'outil.

REMARQUE : Ne soufflez pas la poussière collée à l'aspirateur et aux filtres avec un dépoussiérant à air. Cela entraîne la poussière dans le carter et provoque des pannes.

REMARQUE : Après avoir lavé les filtres, séchez-les soigneusement avant utilisation. Des filtres pas assez secs peuvent affecter la capacité d'aspiration et la durée de vie du moteur.

REMARQUE : Après avoir nettoyé les filtres et le filtre éponge, veillez à les remettre en place avant utilisation. Si vous utilisez l'aspirateur sans les filtres ni le filtre éponge, la poussière pénétrera dans le carter du moteur et causera une panne.

Corps de l'aspirateur

Essayez de temps à autre la surface extérieure (le corps) de l'aspirateur avec un chiffon humecté d'eau savonneuse. Nettoyez également l'ouverture d'aspiration et la zone de montage du filtre.

► Fig.37

Filtre

Lorsque le filtre est bouché par la poussière et que la puissance de l'aspirateur s'en trouve affaiblie, lavez-le dans de l'eau savonneuse. Laissez-le sécher complètement avant l'utilisation.

► Fig.38

Filtre éponge

Lorsque le filtre éponge est encrassé, nettoyez-le comme suit.

1. Retirez le filtre.
2. Retirez le filtre éponge d'entre les montants.
3. Nettoyez le filtre éponge en le tapotant ou en le lavant. Si vous le lavez, séchez-le soigneusement avant utilisation.
4. Insérez le filtre éponge entre les montants et placez-le dans la position d'origine. Assurez-vous que chaque bord inférieur de montant maintient le filtre éponge et qu'il n'y a pas d'espace entre le filtre éponge et l'ouverture d'aspiration.

► Fig.39: 1. Filtre éponge 2. Bord inférieur de montant

Nettoyage du suceur

Lorsque la brosse-suceur devient poussiéreuse, retirez la poussière avec du papier collant.

► Fig.40: 1. Brosse

Guide de dépannage

Avant de solliciter une réparation, vérifiez les points suivants.

Symptôme	Point à vérifier	Méthode de réparation
Faible puissance d'aspiration	La capsule est-elle pleine de poussière ?	Videz la poussière de la capsule.
	Le filtre est-il bouché ?	Nettoyez ou lavez le filtre.
	La batterie est-elle épuisée ?	Chargez la batterie.
Ne fonctionne pas	La batterie est-elle épuisée ?	Chargez la batterie.

⚠ ATTENTION : N'essayez pas de réparer vous-même l'aspirateur.

Pour assurer la SÉCURITÉ et la FIABILITÉ du produit, toute réparation, tout travail d'entretien ou de réglage doivent être effectués par un centre d'entretien Makita agréé, avec des pièces de rechange Makita.

ACCESSOIRES EN OPTION

⚠ ATTENTION : Ces accessoires ou pièces complémentaires sont recommandés pour l'utilisation avec l'outil Makita spécifié dans ce mode d'emploi. L'utilisation de tout autre accessoire ou pièce complémentaire peut comporter un risque de blessure. N'utilisez les accessoires ou pièces complémentaires qu'aux fins auxquelles ils ont été conçus.

Pour obtenir plus de détails sur ces accessoires, contactez votre centre d'entretien local Makita.

- Tube prolongateur (tuyau droit)
- Suceur
- Suceur pour tapis
- Brosse pour étagères
- Suceur plat
- Brosse ronde
- Tuyau flexible
- Filtre
- Préfiltre
- Filtre haute performance
- Batterie et chargeur Makita d'origine

NOTE : Il se peut que certains éléments de la liste soient compris dans l'emballage de l'outil en tant qu'accessoires standard. Ils peuvent varier d'un pays à l'autre.

WARNUNG

Dieses Gerät kann von Kindern ab 8 Jahren und Personen mit verminderten körperlichen, sensorischen oder geistigen Fähigkeiten oder Mangel an Erfahrung und Kenntnissen benutzt werden, sofern sie eine Beaufsichtigung oder Anweisung bezüglich des sicheren Gebrauchs des Gerätes erhalten haben und die damit verbundenen Gefahren verstehen. Kinder dürfen nicht mit dem Gerät spielen. Reinigung und Benutzerwartung dürfen nicht von Kindern ohne Beaufsichtigung durchgeführt werden.

TECHNISCHE DATEN

Modell:	CL106FD	
Kapazität	600 mL	
Dauerbetrieb (mit Akku BL1016)	Ca. 16 min	
Gesamtlänge	958 mm	
Nennspannung	10,8 V Gleichstrom - 12 V max.	
Akku	BL1015 / BL1016 / BL1020B / BL1021B	BL1040B / BL1041B
Nettogewicht	1,0 kg	1,1 kg

- Wir behalten uns vor, Änderungen der technischen Daten im Zuge der Entwicklung und des technischen Fortschritts ohne vorherige Ankündigung vorzunehmen.
- Die technischen Daten und der Akku können von Land zu Land unterschiedlich sein.
- Gewicht mit Akku nach EPTA-Verfahren 01/2003

Symbole

Nachfolgend werden die für das Gerät verwendeten Symbole beschrieben. Machen Sie sich vor der Benutzung mit ihrer Bedeutung vertraut.



Betriebsanleitung lesen.



Nur für EG-Länder
Entsorgen Sie Elektrogeräte oder Akkus nicht zusammen mit dem Hausmüll! Unter Einhaltung der Europäischen Richtlinie über Elektro- und Elektronik-Altgeräte, Batterien, Akkus sowie verbrauchte Batterien und Akkus und ihre Umsetzung gemäß den Landesgesetzen müssen Elektrogeräte und Batterien bzw. Akkus, die das Ende ihrer Lebensdauer erreicht haben, getrennt gesammelt und einer umweltgerechten Recycling-Einrichtung zugeführt werden.

Vorgesehene Verwendung

Das Werkzeug ist für das Absaugen von Trockenstaub vorgesehen.

SICHERHEITSWARNUNGEN

Sicherheitswarnungen für Akku-Staubsauger

⚠️ WARNUNG: WICHTIG! Alle Sicherheitswarnungen und Anweisungen VOR GEBRAUCH AUFMERKSAM LESEN. Eine Missachtung der Warnungen und Anweisungen kann zu einem elektrischen Schlag, Brand und/oder schweren Verletzungen führen.

1. **Das Gerät keinem Regen aussetzen. In Innenräumen aufbewahren.**
2. **Das Gerät darf nicht als Spielzeug benutzt werden. Wenn das Gerät von Kindern oder in deren Nähe benutzt wird, ist besondere Vorsicht geboten.**
3. **Nur gemäß der Beschreibung in dieser Anleitung benutzen. Nur vom Hersteller empfohlene Zusatzvorrichtungen verwenden.**

4. Nicht mit beschädigtem Akku benutzen. Falls das Gerät nicht ordnungsgemäß funktioniert, fallen gelassen, beschädigt, im Freien liegen gelassen wurde oder ins Wasser gefallen ist, bringen Sie es zu einem Kundenzentrum.
 5. Fassen Sie das Gerät nicht mit nassen Händen an.
 6. Stecken Sie keine Gegenstände in die Öffnungen. Benutzen Sie das Gerät nicht mit einer blockierten Öffnung; halten Sie es frei von Staub, Fusseln, Haaren und Fremdkörpern, die den Luftstrom behindern können.
 7. Halten Sie Haare, lose Kleidung, Finger und alle Körperteile von den Öffnungen und beweglichen Teilen fern.
 8. Schalten Sie sämtliche Bedienelemente aus, bevor Sie den Akku abnehmen.
 9. Lassen Sie bei der Reinigung von Treppen besondere Vorsicht walten.
 10. Verwenden Sie das Gerät nicht zum Aufsaugen von brennbaren oder feuergefährlichen Flüssigkeiten, wie z. B. Benzin, und benutzen Sie es auch nicht in der Nähe solcher Flüssigkeiten.
 11. Verwenden Sie nur das vom Hersteller gelieferte Ladegerät zum Aufladen.
 12. Saugen Sie keine brennenden oder rauchenden Gegenstände auf, wie z. B. Zigaretten, Streichhölzer oder heiße Asche.
 13. Benutzen Sie das Gerät nicht ohne angebrachten Staubsack und/oder Filter.
 14. Laden Sie den Akku nicht im Freien.
 15. Laden Sie den Akku nur mit dem vom Hersteller vorgeschriebenen Ladegerät. Ein Ladegerät, das für einen Akkutyp geeignet ist, kann bei Verwendung mit einem anderen Akku eine Brandgefahr darstellen.
 16. Benutzen Sie Elektrowerkzeuge nur mit den ausdrücklich vorgeschriebenen Akkus. Bei Verwendung irgendwelcher anderer Akkus besteht Verletzungs- und Brandgefahr.
 17. Bewahren Sie den Akku bei Nichtgebrauch nicht zusammen mit Metallgegenständen, wie Büroklammern, Münzen, Schlüsseln, Nägeln, Schrauben, und anderen kleinen Metallteilen auf, welche die Kontakte kurzschließen können.
 18. Bei Missbrauch kann Flüssigkeit aus dem Akku austreten. Vermeiden Sie Kontakt mit dieser Flüssigkeit. Falls Sie versehentlich mit der Flüssigkeit in Berührung kommen, spülen Sie die betroffenen Stellen mit Wasser ab.
2. Unterlassen Sie das Aufsaugen der folgenden Materialien:
 - Heiße Materialien, wie z. B. brennende Zigaretten oder durch Schleifen/Schneiden von Metall erzeugte Funken/Metallstaub
 - Brennbare Materialien, wie z. B. Benzin, Verdünner, Petroleum oder Lack
 - Explosive Materialien, wie Nitroglycerin
 - Zündfähige Materialien, wie z. B. Aluminium, Zink, Magnesium, Titan, Phosphor oder Celluloid
 - Nassen Schmutz, Wasser, Öl oder dergleichen
 - Harte Gegenstände mit scharfen Kanten, wie z. B. Holzspäne, Metalle, Steine, Glas, Nägel, Nadeln oder Rasierklingen
 - Klumpen bildendes Pulver, wie z. B. Zement oder Toner
 - Leitfähiger Staub, wie z. B. Metall- oder Kohlenstaub
 - Feine Partikel, wie z. B. Betonstaub
 Solche Handlungen können einen Brand, Verletzungen und/oder Sachschäden verursachen.
 3. Brechen Sie den Betrieb sofort ab, wenn Sie irgendetwas Ungewöhnliches bemerken.
 4. Falls Sie den Staubsauger fallen lassen oder anstoßen, überprüfen Sie ihn vor der Benutzung sorgfältig auf Risse oder Beschädigung.
 5. Bringen Sie das Gerät nicht in die Nähe von Öfen oder anderen Wärmequellen.
 6. Blockieren Sie nicht die Einlassöffnung oder die Belüftungsöffnungen.

BEWAHREN SIE DIESE ANLEITUNG AUF.

Wichtige Sicherheitsanweisungen für Akku

1. Lesen Sie vor der Benutzung des Akkus alle Anweisungen und Warnhinweise, die an (1) Ladegerät, (2) Akku und (3) Akkuwerkzeug angebracht sind.
2. Unterlassen Sie ein Zerlegen des Akkus.
3. Falls die Betriebszeit beträchtlich kürzer geworden ist, stellen Sie den Betrieb sofort ein. Anderenfalls besteht die Gefahr von Überhitzung, möglichen Verbrennungen und sogar einer Explosion.
4. Falls Elektrolyt in Ihre Augen gelangt, waschen Sie sie mit sauberem Wasser aus, und begeben Sie sich unverzüglich in ärztliche Behandlung. Anderenfalls können Sie Ihre Sehkraft verlieren.
5. Der Akku darf nicht kurzgeschlossen werden:
 - (1) Die Kontakte dürfen nicht mit leitfähigem Material berührt werden.
 - (2) Lagern Sie den Akku nicht in einem Behälter zusammen mit anderen Metallgegenständen, wie z. B. Nägel, Münzen usw.
 - (3) Setzen Sie den Akku weder Wasser noch Regen aus.

BEWAHREN SIE DIESE ANLEITUNG AUF.

ZUSÄTZLICHE SICHERHEITSREGELN

Dieses Gerät ist für Haushaltsgebrauch vorgesehen.

1. Lesen Sie diese Gebrauchsanleitung und die Gebrauchsanleitung des Ladegerätes vor der Benutzung aufmerksam durch.

Ein Kurzschluss des Akkus verursacht starken Stromfluss, der Überhitzung, mögliche Verbrennungen und einen Defekt zur Folge haben kann.

6. Lagern Sie das Werkzeug und den Akku nicht an Orten, an denen die Temperatur 50 °C erreichen oder überschreiten kann.
7. Versuchen Sie niemals, den Akku zu verbrennen, selbst wenn er stark beschädigt oder vollkommen verbraucht ist. Der Akku kann im Feuer explodieren.
8. Achten Sie darauf, dass der Akku nicht fallen gelassen oder Stößen ausgesetzt wird.
9. Benutzen Sie keine beschädigten Akkus.
10. Die enthaltenen Lithium-Ionen-Akkus unterliegen den Anforderungen der Gefahrgut-Gesetzgebung.
Für kommerzielle Transporte, z. B. durch Dritte oder Spediteure, müssen besondere Anforderungen zu Verpackung und Etikettierung beachtet werden.
Zur Vorbereitung des zu transportierenden Artikels ist eine Beratung durch einen Experten für Gefahrgut erforderlich. Bitte beachten Sie möglicherweise ausführlichere nationale Vorschriften. Überkleben oder verdecken Sie offene Kontakte, und verpacken Sie den Akku so, dass er sich in der Verpackung nicht umher bewegen kann.
11. Befolgen Sie die örtlichen Bestimmungen bezüglich der Entsorgung von Akkus.
12. Verwenden Sie die Akkus nur mit den von Makita angegebenen Produkten. Das Einsetzen der Akkus in nicht konforme Produkte kann zu einem Brand, übermäßiger Hitzebildung, einer Explosion oder Auslaufen von Elektrolyt führen.

DIESE ANWEISUNGEN AUFBEWAHREN.

⚠ VORSICHT: Verwenden Sie nur Original-Makita-Akkus. Die Verwendung von Nicht-Original-Makita-Akkus oder von Akkus, die abgeändert worden sind, kann zum Bersten des Akkus und daraus resultierenden Bränden, Personenschäden und Beschädigung führen. Außerdem wird dadurch die Makita-Garantie für das Makita-Werkzeug und -Ladegerät ungültig.

Hinweise zur Aufrechterhaltung der maximalen Akku-Nutzungsdauer

1. Laden Sie den Akku, bevor er vollkommen erschöpft ist. Schalten Sie das Werkzeug stets aus, und laden Sie den Akku, wenn Sie ein Nachlassen der Werkzeulleistung feststellen.
2. Unterlassen Sie erneutes Laden eines voll aufgeladenen Akkus. Überladen führt zu einer Verkürzung der Nutzungsdauer des Akkus.
3. Laden Sie den Akku bei Raumtemperatur zwischen 10 – 40 °C. Lassen Sie einen heißen Akku abkühlen, bevor Sie ihn laden.

FUNKTIONSBESCHREIBUNG

⚠ VORSICHT: Vergewissern Sie sich vor der Durchführung von Einstellungen oder Funktionsprüfungen des Werkzeugs stets, dass das Werkzeug ausgeschaltet und der Akku abgenommen ist.

⚠ VORSICHT: Achten Sie beim Einsetzen des Akkus darauf, dass Sie sich nicht die Finger zwischen Staubsauger und Akku klemmen, wie in der Abbildung gezeigt. Einklemmen von Fingern kann Verletzungen verursachen.

► Abb.1

Anbringen und Abnehmen des Akkus

⚠ VORSICHT: Schalten Sie das Werkzeug stets aus, bevor Sie den Akku anbringen oder abnehmen.

⚠ VORSICHT: Halten Sie das Werkzeug und den Akku beim Anbringen oder Abnehmen des Akkus sicher fest. Wenn Sie das Werkzeug und den Akku nicht sicher festhalten, können sie Ihnen aus der Hand rutschen, was zu einer Beschädigung des Werkzeugs und des Akkus und zu Körperverletzungen führen kann.

► Abb.2: 1. Rote Anzeige 2. Knopf 3. Akku

Ziehen Sie den Akku zum Abnehmen vom Werkzeug ab, während Sie den Knopf an der Vorderseite des Akkus verschieben.

Richten Sie zum Anbringen des Akkus dessen Führungsfeder auf die Nut im Gehäuse aus, und schieben Sie den Akku hinein. Schieben Sie ihn vollständig ein, bis er mit einem hörbaren Klicken einrastet. Falls die rote Anzeige an der Oberseite des Knopfes sichtbar ist, ist der Akku nicht vollständig verriegelt.

⚠ VORSICHT: Schieben Sie den Akku stets bis zum Anschlag ein, bis die rote Anzeige nicht mehr sichtbar ist. Anderenfalls kann er aus dem Werkzeug herausfallen und Sie oder umstehende Personen verletzen.

⚠ VORSICHT: Unterlassen Sie Gewaltanwendung beim Anbringen des Akkus. Falls der Akku nicht reibungslos hineingleitet, ist er nicht richtig ausgerichtet.

Akku-Schutzsystem

Das Werkzeug ist mit einem Akku-Schutzsystem ausgestattet. Dieses System schaltet die Stromversorgung des Motors automatisch ab, um die Akku-Lebensdauer zu verlängern.

Das Werkzeug schaltet sich während des Betriebs automatisch ab, wenn Werkzeug und/oder Akku der folgenden Bedingung unterliegen:

Niedrige Akkuspannung:


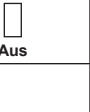


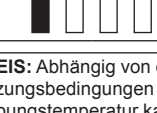
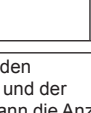

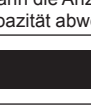
Die Akku-Restkapazität ist zu niedrig, und das Werkzeug funktioniert nicht. Wenn Sie das Werkzeug einschalten, läuft der Motor wieder an, bleibt aber bald darauf stehen. Nehmen Sie in dieser Situation den Akku ab, und laden Sie ihn auf.

Anzeigen der Akku-Restkapazität

Nur für Akkus mit Anzeige

► **Abb.3:** 1. Anzeigelampen 2. Prüftaste

Drücken Sie die Prüftaste am Akku, um die Akku-Restkapazität anzuzeigen. Die Anzeigelampen leuchten wenige Sekunden lang auf.

Anzeigelampen		Restkapazität
Erluchtet	Aus	
		75% bis 100%
		50% bis 75%
		25% bis 50%
		0% bis 25%

HINWEIS: Abhängig von den Benutzungsbedingungen und der Umgebungstemperatur kann die Anzeige geringfügig von der tatsächlichen Kapazität abweichen.

Schalterfunktion

⚠ VORSICHT: Vergewissern Sie sich vor dem Einsetzen des Akkus in das Werkzeug stets, dass der Ein-Aus-Schalter ordnungsgemäß funktioniert und beim Loslassen in die AUS-Stellung zurückkehrt.

Zum Einschalten des Werkzeugs drücken Sie einfach den Auslöseschalter. Zum Ausschalten lassen Sie den Auslöseschalter los.

► **Abb.4:** 1. Ein-Aus-Schalter

Einschalten der Lampe

⚠ VORSICHT: Blicken Sie nicht direkt in die Lampe oder die Lichtquelle.

Betätigen Sie den Auslöseschalter zum Einschalten der Lampe. Während des Betriebs des Werkzeugs leuchtet die Lampe.

Lassen Sie den Schalter los, um die Lampe auszuschalten.

► **Abb.5:** 1. Lampe 2. Ein-Aus-Schalter

MONTAGE

⚠ VORSICHT: Vergewissern Sie sich vor der Ausführung von Arbeiten am Werkzeug stets, dass das Werkzeug ausgeschaltet und der Akku abgenommen ist.

Filtertyp

Normaler Filter

► **Abb.6:** 1. Kapsel 2. Vorfilter 3. Filter

Hochleistungsfilter

► **Abb.7:** 1. Kapsel 2. Hochleistungsfilter

Staubentleerung

⚠ VORSICHT: Leeren Sie den Staubsauger, bevor er voll wird oder die Saugleistung nachlässt.

⚠ VORSICHT: Entleeren Sie auch unbedingt den Staub im Staubsauger selbst. Anderenfalls kann sich der Filter zusetzen, oder der Motor kann beschädigt werden.

Entsorgen von Staub für normalen Filter

Um den am Filter in der Kapsel haftenden Staub abzuschütteln, klopfen Sie 4- bis 5-mal mit Ihrer Hand auf die Kapsel.

► **Abb.8:** 1. Kapsel 2. Saugeinlass

Richten Sie den Saugeinlass nach unten, drehen Sie dann die Kapsel in Richtung des Pfeils in der Abbildung, und ziehen Sie sie langsam und gerade ab.

► **Abb.9:** 1. Kapsel 2. Saugeinlass

HINWEIS: Halten Sie unbedingt einen Müllsack unter die Kapsel, da beim Öffnen der Kapsel Staub herausfallen kann.

Entfernen Sie den angesammelten Staub aus dem Kapsel-Innenraum und vom Vorfilter.

► **Abb.10:** 1. Vorfilter 2. Kapsel

Drehen Sie den Vorfilter in Pfeilrichtung, um die Sicherungslippe von der Staubsaugereinheit zu lösen, und ziehen Sie dann den Vorfilter ab.

► **Abb.11:** 1. Vorfilter 2. Sicherungslippe

Entleeren Sie Feinstaub aus dem Vorfilter. Entfernen Sie dann den Filter, und klopfen Sie ihn leicht aus, um Staub zu lösen.

► **Abb.12:** 1. Filter 2. Vorfilter

Entsorgen von Staub für Hochleistungsfilter

Um den am Filter in der Kapsel haftenden Staub abzuschütteln, klopfen Sie 4- bis 5-mal mit Ihrer Hand auf die Kapsel.

Richten Sie nun den Saugeinlass nach unten, drehen Sie die Kapsel in Richtung des Pfeils in der Abbildung, und ziehen Sie die Kapsel langsam und gerade ab.

► **Abb.13:** 1. Kapsel 2. Saugeinlass

HINWEIS: Halten Sie einen Müllsack unter die Kapsel, da beim Öffnen der Kapsel Staub herausfallen kann.

Entfernen Sie den angesammelten Staub aus dem Kapsel-Innenraum und vom Hochleistungsfilter.

► **Abb.14:** 1. Kapsel 2. Hochleistungsfilter

Drehen Sie den Hochleistungsfilter in Pfeilrichtung, um die Sicherungslippe von der Staubsaugereinheit zu lösen, und ziehen Sie dann den Filter ab.

► **Abb.15:** 1. Sicherungslippe

Entleeren Sie den Feinstaub, und klopfen Sie den Hochleistungsfilter leicht aus, um Staub abzuschütteln.

Zusammenbau

Zusammenbau für normalen Filter

Bringen Sie den Filter an der Staubsaugereinheit an, bis er einwandfrei sitzt.

► **Abb.16:** 1. Filter

ANMERKUNG: Achten Sie darauf, dass der Filter gerade aufgesetzt wird, ohne dass er zurückgezogen wird. Falls der Filter falsch aufgesetzt wird, wie in der Abbildung gezeigt, gelangt Staub in das Motorgehäuse und kann einen Motorschaden verursachen.

► **Abb.17:** 1. Filter

Installieren Sie den Vorfilter. Drehen Sie dabei den Vorfilter so, dass die Sicherungslippe fest in der Staubsaugereinheit verankert ist.

► **Abb.18:** 1. Vorfilter 2. Sicherungslippe

► **Abb.19**

Installieren Sie die Kapsel. Richten Sie die Markierung an der Kapsel auf die Markierung in der Nähe des Handgriffs aus, und drehen Sie dann die Kapsel fest in Pfeilrichtung, bis sie gesichert ist.

► **Abb.20:** 1. Kapsel 2. Handgriff 3. Markierung

HINWEIS: Entfernen Sie Staub stets rechtzeitig, da die Saugleistung verringert wird, wenn sich zu viel Staub im Staubsauger befindet.

ANMERKUNG: Vergewissern Sie sich vor der Benutzung des Staubsaugers stets, dass Filter und Vorfilter korrekt eingesetzt sind. Falls sie nicht korrekt eingesetzt sind, gelangt Staub in das Motorgehäuse und kann einen Motorschaden verursachen. Falls die in den folgenden Beispielen genannten Fälle eintreten, sind Filter und Vorfilter nicht korrekt eingesetzt. Setzen Sie sie korrekt ein, um das Problem zu beheben.

Problemeispiele

Beispiel 1: Nur der Vorfilter ist eingesetzt worden (kein Filter)

► **Abb.21:** 1. Vorfilter

Beispiel 2: Nur der Filter ist eingesetzt worden (kein Vorfilter)

► **Abb.22:** 1. Filter

Beispiel 3: Der Filter ist im zurückgezogenen Zustand eingesetzt worden

► **Abb.23:** 1. Filter

Beispiel 4: Die Sicherungslippe des Vorfilters sitzt nicht fest in der Nut des Staubsaugergehäuses

► **Abb.24:** 1. Sicherungslippe 2. Vorfilter 3. Nut des Staubsaugergehäuses

Zusammenbau für Hochleistungsfilter

Schließen Sie den Hochleistungsfilter an. Drehen Sie dabei den Hochleistungsfilter so, dass die Sicherungslippe fest in der Staubsaugereinheit verankert ist.

► **Abb.25:** 1. Hochleistungsfilter 2. Sicherungslippe

► **Abb.26:** 1. Sicherungslippe

Schließen Sie die Kapsel an. Richten Sie die Markierung O an der Kapsel auf die Markierung O am Handgriff aus, und drehen Sie dann die Kapsel fest in Pfeilrichtung, bis sie gesichert ist.

► **Abb.27:** 1. Markierung O

► **Abb.28:** 1. Handgriff 2. Kapsel

HINWEIS: Entfernen Sie den Staub stets rechtzeitig, da die Saugleistung verringert wird, wenn sich zu viel Staub im Staubsauger befindet.

HINWEIS: Vergewissern Sie sich vor der Benutzung des Staubsaugers stets, dass der Hochleistungsfilter korrekt eingesetzt ist. Falls sie nicht korrekt eingesetzt sind, gelangt Staub in das Motorgehäuse und kann einen Motorschaden verursachen.

Falls die in den folgenden Beispielen genannten Fälle eintreten, ist der Hochleistungsfilter nicht korrekt eingesetzt. Setzen Sie sie korrekt ein, um das Problem zu beheben.

Problemeispiele

Die Sicherungslippe des Hochleistungsfilters ist nicht fest in der Nut des Staubsaugergehäuses verankert.

► **Abb.29:** 1. Sicherungslippe 2. Nut des Staubsaugergehäuses

BETRIEB

⚠ VORSICHT: Um Vorrichtungen, wie z. B. eine Düse, anzuschließen, führen Sie die Vorrichtung unter gleichzeitigem Drehen in Pfeilrichtung ein, um einwandfreie Verbindung während des Gebrauchs zu gewährleisten. Um die Vorrichtungen abzutrennen, ziehen Sie sie unter gleichzeitigem Drehen in Pfeilrichtung ab. Wird eine Vorrichtung beim Anschließen oder Abtrennen in entgegengesetzter Richtung gedreht, kann sich die Kapsel lösen.

► **Abb.30:** 1. Kapsel

Reinigen (Saugen)

Düse

Bringen Sie die Düse an, um Tische, Pulte, Möbelstücke usw. abzusaugen. Die Düse lässt sich leicht aufstecken.

► **Abb.31:** 1. Düse

Düse + Verlängerungsrohr (gerades Rohr)

Das Verlängerungsrohr wird zwischen Düse und Staubsauger angebracht. Diese Anordnung ist praktisch, um den Fußboden im Stehen zu saugen.

► **Abb.32:** 1. Staubsauger-Hauptteil
2. Verlängerungsrohr 3. Düse

Spitzdüse

Bringen Sie die Spitzdüse an, um Ecken und Ritzen eines Autos oder Möbelstücks zu reinigen.

► **Abb.33:** 1. Spitzdüse 2. Staubsauger-Hauptteil

Spitzdüse + Verlängerungsrohr (gerades Rohr)

Benutzen Sie diese Anordnung in engen Zwischenräumen, in die der Staubsauger selbst nicht hineinpasst, oder an schwer erreichbaren hohen Orten.

► **Abb.34:** 1. Spitzdüse 2. Verlängerungsrohr
3. Staubsauger-Hauptteil

Staubsaugen ohne Düse

Sie können Pulver und Staub ohne Düse aufsaugen.

► **Abb.35**

WARTUNG

⚠ VORSICHT: Vergewissern Sie sich vor der Durchführung von Inspektions- oder Wartungsarbeiten stets, dass das Werkzeug ausgeschaltet und der Akku abgenommen ist.

Nach dem Gebrauch

ANMERKUNG: Wird der Staubsauger ohne irgend eine Stütze gegen eine Wand gelehnt, kann er umkippen und beschädigt werden.

► **Abb.36**

Reinigen

ANMERKUNG: Verwenden Sie auf keinen Fall Benzin, Waschbenzin, Verdünner, Alkohol oder dergleichen. Solche Mittel können Verfärbung, Verformung oder Rissbildung verursachen.

ANMERKUNG: Blasen Sie am Staubsauger und an den Filtern haftenden Staub nicht mit einem Druckluftspray ab. Dadurch wird der Staub in das Gehäuse geblasen und ein Ausfall verursacht.

ANMERKUNG: Nachdem Sie die Filter gewaschen haben, lassen Sie sie vor Gebrauch gründlich trocknen. Unzureichend getrocknete Filter können schlechte Saugleistung verursachen und die Lebensdauer des Motors verkürzen.

ANMERKUNG: Nachdem Sie die Filter und den Schwammfilter gereinigt haben, setzen Sie sie vor Gebrauch unbedingt wieder ein. Wird der Staubsauger ohne Filter und Schwammfilter benutzt, kann Staub in das Motorgehäuse eindringen und eine Funktionsstörung verursachen.

Staubsauger-Hauptteil

Wischen Sie die Außenseite (Staubsauger-Hauptteil) des Staubsaugers von Zeit zu Zeit mit einem mit Seifenwasser getränkten Tuch ab.

Putzen Sie auch die Saugöffnung und den Filtermontagebereich aus.

► **Abb.37**

Filter

Waschen Sie den Filter in Seifenwasser aus, wenn er mit Staub zugesetzt ist und die Saugleistung nachlässt. Lassen Sie ihn vor der Benutzung gründlich trocknen.

► **Abb.38**

Schwammfilter

Wenn der Schwammfilter verschmutzt wird, reinigen Sie ihn wie folgt.

1. Entfernen Sie den Filter.
2. Ziehen Sie den Schwammfilter zwischen den Säulen heraus.
3. Reinigen Sie den Schwammfilter durch Ausklopfen oder Waschen. Wenn Sie ihn waschen, lassen Sie ihn vor Gebrauch gründlich trocknen.
4. Führen Sie den Schwammfilter zwischen den Säulen ein, und setzen Sie ihn in seine Ausgangsposition ein. Vergewissern Sie sich, dass die Unterkanten der Säulen den Schwammfilter niederhalten, und dass kein Spalt zwischen dem Schwammfilter und der Saugöffnung vorhanden ist.

► **Abb.39:** 1. Schwammfilter 2. Unterkante der Säule

Reinigen der Düse

Wenn die Düsenbürste staubig wird, entfernen Sie den Staub mit Klebeband.

► **Abb.40:** 1. Bürste

Fehlersuche

Bevor Sie eine Reparatur anfordern, überprüfen Sie bitte die folgenden Punkte.

Symptom	Prüfbereich	Abhilfeverfahren
Schwache Saugkraft	Ist die Kapsel mit Staub gefüllt?	Entleeren Sie den Staub aus der Kapsel.
	Ist der Filter verstopft?	Reinigen oder waschen Sie den Filter.
	Ist der Akku erschöpft?	Laden Sie den Akku auf.
Gerät funktioniert nicht	Ist der Akku erschöpft?	Laden Sie den Akku auf.

⚠ VORSICHT: Versuchen Sie nicht, den Staubsauger selbst zu reparieren.

Um die SICHERHEIT und ZUVERLÄSSIGKEIT dieses Produkts zu gewährleisten, sollten Reparaturen und andere Wartungs- oder Einstellarbeiten nur von Makita-Vertragswerkstätten oder Makita-Kundendienstzentren unter ausschließlicher Verwendung von Makita-Originalersatzteilen ausgeführt werden.

SONDERZUBEHÖR

⚠ VORSICHT: Die folgenden Zubehörteile oder Vorrichtungen werden für den Einsatz mit dem in dieser Anleitung beschriebenen Makita-Werkzeug empfohlen. Die Verwendung anderer Zubehörteile oder Vorrichtungen kann eine Verletzungsgefahr darstellen. Verwenden Sie Zubehörteile oder Vorrichtungen nur für ihren vorgesehenen Zweck.

Wenn Sie weitere Einzelheiten bezüglich dieser Zubehörteile benötigen, wenden Sie sich bitte an Ihre Makita-Kundendienststelle.

- Verlängerungsrohr (gerades Rohr)
- Düse
- Düse für Teppich
- Regalbürste
- Spitzdüse
- Rundbürste
- Flexibler Schlauch
- Filter
- Vorfilter
- Hochleistungsfilter
- Original-Makita-Akku und -Ladegerät

HINWEIS: Manche Teile in der Liste können als Standardzubehör im Werkzeugsatz enthalten sein. Sie können von Land zu Land unterschiedlich sein.

AVVERTENZA

Questo elettrodomestico può venire utilizzato dai bambini dagli 8 anni in su, nonché da persone con capacità fisiche, sensoriali o mentali ridotte, o prive di esperienza o preparazione, qualora vengano fornite loro supervisione o istruzioni relative all'utilizzo in sicurezza dell'elettrodomestico e comprendano i pericoli che comporta. I bambini non devono giocare con l'elettrodomestico. La pulizia e la manutenzione da parte dell'utente non devono essere effettuate dai bambini senza supervisione.

DATI TECNICI

Modello:	CL106FD	
Capacità	600 mL	
Utilizzo continuativo (con batteria BL1016)	Circa 16 min	
Lunghezza totale	958 mm	
Tensione nominale	10,8 V - 12 V CC max	
Cartuccia della batteria	BL1015 / BL1016 / BL1020B / BL1021B	BL1040B / BL1041B
Peso netto	1,0 kg	1,1 kg

- A causa del nostro programma continuativo di ricerca e sviluppo, i dati tecnici sono soggetti a modifiche senza preavviso.
- I dati tecnici e la cartuccia della batteria potrebbero differire da nazione a nazione.
- Peso, con cartuccia della batteria, secondo la Procedura EPTA 01/2003

Simboli

La figura seguente mostra i simboli utilizzati per l'apparecchio. Accertarsi di comprendere il loro significato prima dell'uso.



Leggere il manuale d'uso.



Solo per le nazioni UE
Non smaltire apparecchiature elettriche o batterie insieme ai rifiuti domestici! In osservanza delle direttive europee sui rifiuti di apparecchiature elettriche ed elettroniche (RAEE), e su batterie ed accumulatori e sui rifiuti di batterie ed accumulatori, e sulla relativa implementazione in conformità alle norme nazionali, le apparecchiature elettriche e le batterie che hanno raggiunto la fine della loro vita utile devono essere sottoposte a raccolta differenziata e conferite a una struttura di riciclaggio ecocompatibile.

Utilizzo previsto

Questo utensile è progettato per la raccolta delle polveri asciutte.

AVVERTENZE DI SICUREZZA

Avvertenze relative alla sicurezza dell'aspiratore a batteria

AVVERTIMENTO: IMPORTANTE! LEGGERE CON ATTENZIONE tutte le avvertenze di sicurezza e tutte le istruzioni PRIMA DELL'USO. La mancata osservanza delle avvertenze e delle istruzioni potrebbe risultare in scosse elettriche, incendi e/o gravi lesioni personali.

1. **Non esporlo alla pioggia. Conservarlo al chiuso.**
2. **Non consentirne l'utilizzo come giocattolo. Qualora venga utilizzato da o in prossimità di bambini, è necessaria una stretta sorveglianza.**
3. **Utilizzarlo esclusivamente nelle modalità descritte nel presente manuale. Utilizzare esclusivamente gli accessori consigliati dal produttore.**

4. Non utilizzarlo con una batteria danneggiata. Qualora l'elettrodomestico non funzioni come previsto, sia caduto, si sia danneggiato, sia rimasto all'aperto o sia caduto in acqua, portarlo a un centro di assistenza.
 5. Non maneggiare l'elettrodomestico con le mani bagnate.
 6. Non inserire alcun oggetto nelle aperture. Non utilizzarlo con alcuna apertura ostruita; tenerlo libero da polvere, lanugine, capelli e qualsiasi cosa possa ridurre il flusso dell'aria.
 7. Tenere i capelli, gli indumenti abbondanti, le dita e tutte le parti del corpo lontani dalle aperture e dalle parti mobili.
 8. Disattivare tutti i controlli prima di rimuovere la batteria.
 9. Fare particolarmente attenzione durante la pulizia delle scale.
 10. Non utilizzarlo per aspirare sostanze infiammabili o combustibili, ad esempio la benzina, o in ubicazioni in cui potrebbero essere presenti.
 11. Per la ricarica, utilizzare esclusivamente il caricabatterie fornito dal produttore.
 12. Non aspirare oggetti che brucino o emettano fumo, quali sigarette, fiammiferi o ceneri calde.
 13. Non utilizzarlo senza il sacchetto polveri e/o i filtri installati.
 14. Non caricare la batteria all'aperto.
 15. Ricaricarla esclusivamente con il caricabatterie idoneo a un tipo di batteria potrebbe creare un rischio di incendio, laddove venga utilizzato con una batteria di tipo diverso.
 16. Utilizzare gli utensili elettrici solo con le batterie specificamente designate. L'utilizzo di qualsiasi altra batteria potrebbe comportare il rischio di lesioni personali o incendi.
 17. Quando la batteria non è in uso, tenerla lontana da oggetti metallici, quali graffette, monete, chiavi, chiodi, viti o altri piccoli oggetti metallici, che possono creare un contatto da un terminale all'altro.
 18. In condizioni di uso improprio, dalla batteria potrebbe venire espulso del liquido; evitare il contatto con tale liquido. In caso di contatto accidentale con il liquido, lavare abbondantemente con acqua.
- Materiali infiammabili, quali benzina per auto, solventi, benzina per smacchiare, cherosene o vernici
 - Materiali esplosivi, ad esempio nitroglicerina
 - Materiali infiammabili, quali alluminio, zinco, magnesio, titanio, fosforo o celluloido
 - Sporczia bagnata, acqua, olio o simili
 - Pezzi duri con estremità affilate, quali schegge di legno, metalli, pietre, vetri, chiodi, spilli o rasi
 - Polveri che formino grumi, quali cemento o toner
 - Polveri conduttive, quali quelle metalliche o di carbonio
 - Polveri sottili, ad esempio polvere di calcestruzzo
- In caso contrario, si potrebbero causare incendi, lesioni a persone e/o danni alle cose.
3. Qualora si noti una qualsiasi anomalia, interrompere immediatamente l'utilizzo.
 4. Qualora si faccia cadere o si colpisca l'aspiratore, controllarlo attentamente alla ricerca di eventuali spaccature o danni, prima di utilizzarlo.
 5. Non avvicinarlo a stufe/fornelli o altre fonti di calore.
 6. Non ostruire il foro di aspirazione o i fori di ventilazione.

CONSERVARE LE PRESENTI ISTRUZIONI.

Istruzioni di sicurezza importanti per la cartuccia della batteria

1. Prima di utilizzare la cartuccia della batteria, leggere tutte le istruzioni e le avvertenze riportate (1) sul caricabatteria, (2) sulla batteria e (3) sul prodotto che utilizza la batteria.
2. Non smontare la cartuccia della batteria.
3. Qualora il tempo di utilizzo si riduca eccessivamente, interrompere immediatamente l'utilizzo dell'utensile. In caso contrario, si può incorrere nel rischio di surriscaldamento, possibili ustioni e persino un'esplosione.
4. Qualora l'elettrolita entri in contatto con gli occhi, sciacquarli con acqua pulita e richiedere immediatamente assistenza medica. Questa eventualità può risultare nella perdita della vista.
5. Non cortocircuitare la cartuccia della batteria:
 - (1) Non toccare i terminali con alcun materiale conduttivo.
 - (2) Evitare di conservare la cartuccia della batteria in un contenitore insieme ad altri oggetti metallici quali chiodi, monete, e così via.
 - (3) Non esporre la cartuccia della batteria all'acqua o alla pioggia.

Un cortocircuito della batteria può causare un grande flusso di corrente, un surriscaldamento, possibili ustioni e persino un guasto.

CONSERVARE LE PRESENTI ISTRUZIONI.

REGOLE AGGIUNTIVE PER LA SICUREZZA

Questo elettrodomestico è progettato per l'utilizzo domestico.

1. Leggere attentamente il presente manuale d'uso e il manuale d'uso del caricabatterie prima dell'uso.
2. Non aspirare i materiali seguenti:
 - Materiali caldi, quali sigarette accese e/o scintille o polveri metalliche generate dalla smerigliatura o dal taglio del metallo

6. **Non conservare l'utensile e la cartuccia della batteria in ubicazioni in cui la temperatura possa raggiungere o superare i 50°C.**
7. **Non incenerire la cartuccia della batteria anche qualora sia gravemente danneggiata o completamente esaurita. La cartuccia della batteria può esplodere se a contatto con il fuoco.**
8. **Fare attenzione a non far cadere e a non colpire la batteria.**
9. **Non utilizzare una batteria danneggiata.**
10. **Le batterie a ioni di litio contenute sono soggette ai requisiti del regolamento sul trasporto di merci pericolose (Dangerous Goods Legislation).**
Per trasporti commerciali, ad esempio da parte di terzi o spedizionieri, è necessario osservare dei requisiti speciali sull'imballaggio e sull'etichetta. Per la preparazione dell'articolo da spedire, è richiesta la consulenza di un esperto in materiali pericolosi. Attenersi anche alle normative nazionali, che potrebbero essere più dettagliate. Nastrare o coprire i contatti aperti e imballare la batteria in modo tale che non si possa muovere liberamente all'interno dell'imballaggio.
11. **Attenersi ai normative locali relative allo smaltimento della batteria.**
12. **Utilizzare le batterie esclusivamente con i prodotti specificati da Makita.** L'installazione delle batterie in prodotti non compatibili potrebbe risultare in incendi, calore eccessivo, esplosioni o perdite di liquido elettrolitico.

CONSERVARE LE PRESENTI ISTRUZIONI.

ATTENZIONE: Utilizzare solo batterie originali Makita. L'utilizzo di batterie Makita non originali, o di batterie che siano state alterate, potrebbe risultare nello scoppio della batteria, causando incendi, lesioni personali e danni. Inoltre, ciò potrebbe invalidare la garanzia Makita per l'utensile e il caricabatterie Makita.

Suggerimenti per preservare la durata massima della batteria

1. **Caricare la cartuccia della batteria prima che si scarichi completamente. Smettere sempre di utilizzare l'utensile e caricare la cartuccia della batteria quando si nota che la potenza dell'utensile è diminuita.**
2. **Non ricaricare mai una cartuccia della batteria completamente carica. La sovraccarica riduce la vita utile della batteria.**
3. **Caricare la cartuccia della batteria a una temperatura ambiente compresa tra 10°C e 40°C. Lasciar raffreddare una cartuccia della batteria prima di caricarla.**

DESCRIZIONE DELLE FUNZIONI

ATTENZIONE: Accertarsi sempre che l'utensile sia spento e che la cartuccia della batteria sia stata rimossa prima di regolare o di controllare il funzionamento dell'utensile.

ATTENZIONE: Quando si installa la batteria, fare attenzione a non far restare incastrate le dita tra l'aspiratore e la batteria, come indicato nella figura. Qualora le dita restino incastrate, sussiste il pericolo di lesioni personali.

► Fig.1

Installazione o rimozione della cartuccia della batteria

ATTENZIONE: Spegnerne sempre l'utensile prima di installare o rimuovere la cartuccia della batteria.

ATTENZIONE: Mantenere saldamente lo strumento e la batteria quando si intende installare o rimuovere la cartuccia della batteria. Qualora non si mantengano saldamente lo strumento e la cartuccia della batteria, questi ultimi potrebbero scivolare dalle mani, con la possibilità di causare un danneggiamento dello strumento e della cartuccia della batteria, nonché una lesione personale.

► Fig.2: 1. Indicatore rosso 2. Pulsante 3. Cartuccia della batteria

Per rimuovere la cartuccia della batteria, farla scorrere via dall'utensile mentre si fa scorrere allo stesso tempo il pulsante sulla parte anteriore della cartuccia.

Per installare la cartuccia della batteria, allineare l'appendice della batteria con la scanalatura nell'alloggiamento e farla scivolare in sede. Inserirli completamente fino al suo blocco in sede con un leggero scatto. Se è possibile vedere l'indicatore rosso sul lato superiore del pulsante, la batteria non è bloccata completamente.

ATTENZIONE: Installare sempre fino in fondo la cartuccia della batteria, fino a quando l'indicatore rosso non è più visibile. In caso contrario, la batteria potrebbe cadere accidentalmente dall'utensile, causando lesioni personali all'operatore o a chi gli è vicino.

ATTENZIONE: Non installare forzatamente la cartuccia della batteria. Qualora la batteria non si inserisca scorrendo agevolmente, vuol dire che non viene inserita correttamente.

Sistema di protezione della batteria

L'utensile è dotato di un sistema di protezione della batteria. Questo sistema interrompe automaticamente l'alimentazione al motore per prolungare la vita utile della batteria.

L'utensile si arresta automaticamente durante il funzionamento qualora l'utensile stesso e/o la batteria vengano a trovarsi nella condizione seguente:

Bassa tensione della batteria:

La carica residua della batteria è troppo bassa e non è possibile utilizzare l'utensile. Se si accende l'utensile, il motore gira di nuovo, ma si arresta dopo poco. In tal caso, rimuovere e ricaricare la batteria.

Indicazione della carica residua della batteria

Solo per cartucce delle batterie dotate di indicatore

► Fig.3: 1. Indicatori luminosi 2. Pulsante di controllo

Premere il pulsante di controllo sulla cartuccia della batteria per indicare la carica residua della batteria. Gli indicatori luminosi si illuminano per alcuni secondi.

Indicatori luminosi		Carica residua
■ Illuminato	□ Spento	
■ ■ ■ ■		Dal 75% al 100%
■ ■ ■ □		Dal 50% al 75%
■ ■ □ □		Dal 25% al 50%
■ □ □ □		Dallo 0% al 25%

NOTA: A seconda delle condizioni d'uso e della temperatura ambiente, l'indicazione potrebbe variare leggermente rispetto alla carica effettiva.

Funzionamento dell'interruttore

ATTENZIONE: Prima di inserire la cartuccia della batteria nell'utensile, controllare sempre che l'interruttore a grilletto funzioni correttamente e torni sulla posizione "OFF" quando viene rilasciato.

Per avviare l'utensile, è sufficiente premere l'interruttore a grilletto. Per arrestarlo, rilasciare l'interruttore a grilletto.

► Fig.4: 1. Interruttore a grilletto

Illuminazione della lampada

ATTENZIONE: Non osservare né guardare direttamente la fonte di luce.

Per accendere la lampada, premere l'interruttore a grilletto. Durante l'attivazione dell'utensile, la lampada si accende.

Per spegnere la lampadina, rilasciare il commutatore.

► Fig.5: 1. Lampadina 2. Interruttore a grilletto

MONTAGGIO

ATTENZIONE: Accertarsi sempre che l'utensile sia spento e che la cartuccia della batteria sia stata rimossa, prima di effettuare qualsiasi intervento sull'utensile.

Tipo di filtro

Filtro normale

► Fig.6: 1. Capsula 2. Prefiltro 3. Filtro

Filtro ad alte prestazioni

► Fig.7: 1. Capsula 2. Filtro ad alte prestazioni

Smaltimento delle polveri

ATTENZIONE: Svuotare l'aspiratore prima che diventi troppo pieno; in caso contrario, la forza di aspirazione si riduce.

ATTENZIONE: Accertarsi di svuotare l'interno dell'aspiratore stesso dalle polveri. In caso contrario, si potrebbe causare l'intasamento del filtro o il danneggiamento del motore.

Smaltimento delle polveri per il filtro normale

Per far cadere la polvere attaccata al filtro nella capsula, dare 4 o 5 leggeri colpetti alla capsula con la mano.

► Fig.8: 1. Capsula 2. Presa di aspirazione

Puntare verso il basso la presa di aspirazione, ruotare la capsula nella direzione della freccia come indicato nella figura e scollegare la capsula lentamente e tenendola dritta.

► Fig.9: 1. Capsula 2. Presa di aspirazione

NOTA: Accertarsi di posizionare un sacchetto per i rifiuti al di sotto della capsula, in quanto le polveri potrebbero fuoriuscire quando si apre la capsula.

Rimuovere le polveri accumulate dall'interno della capsula e dal prefiltro.

► Fig.10: 1. Prefiltro 2. Capsula

Ruotare il prefiltro nella direzione della freccia per sganciare il bordo di fissaggio dall'unità aspiratore, quindi rimuovere il prefiltro tirandolo.

► Fig.11: 1. Prefiltro 2. Bordo di fissaggio

Pulire le polveri fini dal prefiltro. Quindi, rimuovere il filtro tirandolo e dargli dei leggeri colpetti per rimuovere le polveri.

► Fig.12: 1. Filtro 2. Prefiltro

Smaltimento delle polveri per il filtro ad alte prestazioni

Per far cadere la polvere attaccata al filtro nella capsula, dare 4 o 5 leggeri colpetti alla capsula con la mano.

Ora puntare verso il basso la presa di aspirazione, ruotare la capsula nella direzione della freccia come nella figura e scollegare la capsula lentamente e tenendola dritta.

► Fig.13: 1. Capsula 2. Presa di aspirazione

NOTA: Le polveri potrebbero fuoriuscire quando si apre la capsula, pertanto accertarsi di posizionare un sacchetto dei rifiuti al di sotto della capsula.

Rimuovere le polveri accumulate dall'interno della capsula e dal filtro ad alte prestazioni.

► **Fig.14:** 1. Capsula 2. Filtro ad alte prestazioni

Ruotare il filtro ad alte prestazioni nella direzione della freccia per sganciare il bordo di fissaggio dall'unità aspiratore, quindi rimuovere il filtro tirandolo.

► **Fig.15:** 1. Bordo di fissaggio

Pulire le polveri fini e dare dei leggeri colpetti per far staccare le polveri dal filtro ad alte prestazioni.

Rimontaggio

Rimontaggio del filtro normale

Montare il filtro completamente in sede sull'unità aspiratore.

► **Fig.16:** 1. Filtro

AVVISO: Accertarsi di applicare il filtro diritto senza farlo rivoltare all'indietro. Qualora si monti il filtro in modo errato, come mostrato nella figura, le polveri penetrano nell'alloggiamento del motore, causando il guasto di quest'ultimo.

► **Fig.17:** 1. Filtro

Installare il prefiltro. A questo punto, accertarsi di ruotare il prefiltro in modo che il bordo di fissaggio sia saldamente bloccato nell'unità aspiratore.

► **Fig.18:** 1. Prefiltro 2. Bordo di fissaggio

► **Fig.19**

Installare la capsula. Allineare il segno sulla capsula con il segno in prossimità della maniglia, quindi ruotare con decisione la capsula nella direzione indicata dalla freccia fino a fissarla.

► **Fig.20:** 1. Capsula 2. Maniglia 3. Segno

NOTA: Rimuovere sempre tempestivamente le polveri, in quanto la forza di aspirazione si riduce, qualora nell'aspiratore sia presente un grande quantitativo di polveri.

AVVISO: Accertarsi sempre che sia il filtro che il prefiltro siano installati correttamente, prima di utilizzare l'aspiratore. Qualora non siano installati correttamente, le polveri penetrano nell'alloggiamento del motore, causando un guasto di quest'ultimo. L'eventuale verificarsi delle situazioni di esempio seguenti denota un'installazione errata del filtro e del prefiltro. Reinstallarli correttamente per correggere il problema.

Esempi di problemi

Esempio 1: è stato installato solo il prefiltro (filtro assente)

► **Fig.21:** 1. Prefiltro

Esempio 2: è stato installato solo il filtro (prefiltro assente)

► **Fig.22:** 1. Filtro

Esempio 3: il filtro è stato installato rivoltato all'indietro

► **Fig.23:** 1. Filtro

Esempio 4: il bordo di fissaggio del prefiltro non è agganciato saldamente alla scanalatura dell'alloggiamento dell'aspiratore

► **Fig.24:** 1. Bordo di fissaggio 2. Prefiltro
3. Scanalatura dell'alloggiamento dell'aspiratore

Rimontaggio del filtro ad alte prestazioni

Collegare il filtro ad alte prestazioni. A questo punto, accertarsi di ruotare il filtro ad alte prestazioni in modo che il bordo di fissaggio sia saldamente bloccato nell'unità aspiratore.

► **Fig.25:** 1. Filtro ad alte prestazioni 2. Bordo di fissaggio

► **Fig.26:** 1. Bordo di fissaggio

Collegare la capsula. Allineare il simbolo O sulla capsula con il simbolo O sulla maniglia, quindi ruotare con decisione la capsula nella direzione indicata dalla freccia fino a fissarla.

► **Fig.27:** 1. Simbolo O

► **Fig.28:** 1. Maniglia 2. Capsula

NOTA: Rimuovere sempre anticipatamente le polveri, in quanto la forza di aspirazione si riduce, qualora nell'aspiratore sia presente un grande quantitativo di polveri.

NOTA: Accertarsi sempre che il filtro ad alte prestazioni sia installato correttamente, prima di utilizzare l'aspiratore. Qualora non siano installati correttamente, le polveri penetrano nell'alloggiamento del motore, causando un guasto di quest'ultimo. L'eventuale verificarsi delle situazioni di esempio seguenti denota un'installazione errata del filtro ad alte prestazioni. Reinstallarli correttamente per correggere il problema.

Esempi di problemi

Il bordo di fissaggio del filtro ad alte prestazioni non è agganciato saldamente alla scanalatura dell'alloggiamento dell'aspiratore.

► **Fig.29:** 1. Bordo di fissaggio 2. Scanalatura dell'alloggiamento dell'aspiratore

FUNZIONAMENTO

ATTENZIONE: Per collegare gli accessori, ad esempio la bocchetta, inserire e ruotare l'accessorio nella direzione della freccia per garantire un collegamento saldo durante l'uso. Per scollegare gli accessori, ruotarli ed estrarli analogamente nella direzione della freccia. Qualora un accessorio venga ruotato nella direzione opposta quando lo si collega o lo si scollega, la capsula potrebbe allentarsi.

► **Fig.30:** 1. Capsula

Pulizia (aspirazione)

Bocchetta

Montare la bocchetta per pulire tavoli, scrivanie, mobili, e così via. La bocchetta si inserisce facilmente infilandola.

► Fig.31: 1. Bocchetta

Bocchetta + prolunga (tubo diritto)

La prolunga si inserisce tra la bocchetta e l'aspiratore stesso. Questa disposizione è comoda per pulire i pavimenti restando in posizione eretta.

► Fig.32: 1. Corpo dell'aspiratore 2. Prolunga
3. Bocchetta

Bocchetta per angoli

Montare la bocchetta per angoli per la pulizia degli angoli e degli interstizi di automobili o mobili.

► Fig.33: 1. Bocchetta per angoli 2. Corpo dell'aspiratore

Bocchetta per angoli + prolunga (tubo diritto)

Utilizzare questa disposizione in spazi ristretti in cui non sia possibile infilare l'aspiratore stesso o in ubicazioni elevate difficili da raggiungere.

► Fig.34: 1. Bocchetta per angoli 2. Prolunga
3. Corpo dell'aspiratore

Pulizia senza la bocchetta

È possibile aspirare le polveri senza la bocchetta.

► Fig.35

MANUTENZIONE

⚠ATTENZIONE: Accertarsi sempre che l'utensile sia spento e che la cartuccia della batteria sia stata rimossa prima di tentare di eseguire interventi di ispezione o manutenzione.

Dopo l'uso

AVVISO: Se si appoggia l'aspiratore contro una parete senza alcun altro sostegno, l'aspiratore cade, danneggiandosi.

► Fig.36

Pulizia

AVVISO: Non utilizzare mai benzina, benzene, solventi, alcol o altre sostanze simili. In caso contrario, si potrebbero causare scolorimenti, deformazioni o crepe.

AVVISO: Non soffiare via la polvere che aderisce all'aspiratore e ai filtri utilizzando bombolette anti-polvere ad aria compressa. Queste ultime fanno penetrare la polvere all'interno dell'alloggiamento e causano guasti.

AVVISO: Dopo aver lavato i filtri, asciugarli completamente prima dell'uso. Filtri non asciugati a sufficienza potrebbero causare un'aspirazione scadente e ridurre la vita utile del motore.

AVVISO: Dopo la pulizia dei filtri e del filtro in spugna, accertarsi di reinstallarli prima dell'uso. Qualora si utilizzi l'aspiratore senza i filtri e il filtro in spugna, le polveri penetrano nell'alloggiamento del motore e causano guasti.

Corpo dell'aspiratore

Pulire di tanto in tanto la superficie esterna dell'aspiratore (corpo dell'aspiratore) utilizzando un panno inumidito con acqua e sapone.

Pulire anche l'apertura di aspirazione e l'area di montaggio dei filtri.

► Fig.37

Filtro

Lavare il filtro in acqua e sapone quando è intasato di polveri e la potenza dell'aspiratore si riduce. Asciugarlo completamente prima dell'uso.

► Fig.38

Filtro in spugna

Quando il filtro in spugna diventa sporco, pulirlo nel modo seguente.

1. Rimuovere il filtro.
2. Estrarre il filtro in spugna facendolo passare tra le colonnine.
3. Pulire il filtro in spugna dandogli dei leggeri colpetti o lavandolo. Qualora lo si lavi, farlo asciugare completamente prima dell'uso.
4. Inserire il filtro in spugna facendolo passare tra le colonnine e sistemarlo nella posizione originale. Accertarsi che il bordo inferiore di ciascuna colonnina tenga fermo il filtro in spugna, e che non vi siano spazi vuoti tra il filtro in spugna e l'apertura di aspirazione.

► Fig.39: 1. Filtro in spugna 2. Bordo inferiore della colonnina

Pulizia della bocchetta

Quando la spazzola della bocchetta si impolvera, rimuovere la polvere con un nastro adesivo.

► Fig.40: 1. Spazzola

Risoluzione dei problemi

Prima di richiedere riparazioni, controllare i punti seguenti.

Sintomo	Area da controllare	Metodo di correzione del problema
Forza di aspirazione debole	La capsula è piena di polveri?	Svuotare la capsula dalle polveri.
	Il filtro è intasato?	Pulire o lavare il filtro.
	La cartuccia della batteria è scarica?	Caricare la cartuccia della batteria.
Mancato funzionamento	La cartuccia della batteria è scarica?	Caricare la cartuccia della batteria.

⚠ATTENZIONE: Non tentare di riparare l'aspiratore da soli.

Per preservare la SICUREZZA e l'AFFIDABILITÀ del prodotto, le riparazioni e qualsiasi altro intervento di manutenzione e di regolazione devono essere eseguiti da un centro di assistenza autorizzato Makita, utilizzando sempre ricambi Makita.

ACCESSORI OPZIONALI

⚠ATTENZIONE: Questi accessori o componenti aggiuntivi sono consigliati per l'uso con l'utensile Makita specificato nel presente manuale.

L'impiego di altri accessori o componenti aggiuntivi può costituire un rischio di lesioni alle persone. Utilizzare gli accessori o i componenti aggiuntivi solo per il loro scopo prefissato.

Per ottenere ulteriori dettagli relativamente a questi accessori, rivolgersi a un centro di assistenza Makita.

- Prolunga (tubo diritto)
- Bocchetta
- Bocchetta per tappeti
- Spazzola per scaffali
- Bocchetta per angoli
- Spazzola rotonda
- Tubo flessibile
- Filtro
- Prefiltro
- Filtro ad alte prestazioni
- Batteria e caricabatterie originali Makita

NOTA: Alcuni articoli nell'elenco potrebbero essere inclusi nell'imballaggio dell'utensile come accessori standard. Tali articoli potrebbero variare da nazione a nazione.

WAARSCHUWING

Dit apparaat mag worden gebruikt door kinderen van 8 jaar en ouder of door personen met beperkte fysieke, zintuiglijke of verstandelijke vermogens of gebrek aan ervaring of kennis van zaken, maar alleen onder toezicht of na instructie in veilig gebruik van het apparaat, met begrip van de eventuele risico's. Kinderen mogen niet met het apparaat spelen. Reinigen en onderhoud van het apparaat mag niet door kinderen worden verricht, tenzij onder toezicht.

TECHNISCHE GEGEVENS

Model:	CL106FD	
Inhoud	600 ml	
Continu gebruik (met accu BL1016)	Ong. 16 min	
Totale lengte	958 mm	
Nominale spanning	Maximaal 10,8 V - 12 V gelijkspanning	
Accu	BL 1015 / BL 1016 / BL 1020B / BL 1021B	BL 1040B / BL 1041B
Nettogewicht	1,0 kg	1,1 kg

- In verband met ononderbroken research en ontwikkeling, behouden wij ons het recht voor de bovenstaande technische gegevens zonder voorafgaande kennisgeving te wijzigen.
- De technische gegevens van de accu kunnen van land tot land verschillen.
- Gewicht, inclusief accu, volgens de EPTA-procedure 01/2003

Symbolen

Hieronder staan de symbolen die voor het gereedschap worden gebruikt. Zorg ervoor dat u weet wat ze betekenen alvorens het gereedschap te gebruiken.



Lees de gebruiksaanwijzing.



Alleen voor EU-landen
Geef elektrisch gereedschap en accu's niet met het huisvuil mee! Volgens de Europese richtlijn inzake oude elektrische en elektronische apparaten, en inzake batterijen en accu's en oude batterijen en accu's, en de toepassing daarvan binnen de nationale wetgeving, dienen elektrisch gereedschap, accu('s) en batterijen die het einde van hun levensduur hebben bereikt, gescheiden te worden ingezameld en te worden afgevoerd naar een recyclebedrijf dat voldoet aan de geldende milieueisen.

Gebruiksdoeleinden

Het gereedschap is bedoeld om droog stof te verzamelen.

VEILIGHEIDSWAARSCHUWINGEN

Veiligheids waarschuwingen voor accustofzuigers

⚠ WAARSCHUWING: BELANGRIJK! LEES VÓÓR GEBRUIK alle veiligheids waarschuwingen en alle instructies ZORGVULDIG DOOR. Het niet volgen van de waarschuwingen en instructies kan leiden tot elektrische schokken, brand en/of ernstig letsel.

1. **Stel niet bloot aan regen. Bewaar binnenshuis.**
2. **Sta niet toe dat er mee gespeeld wordt. Let goed op bij gebruik door of in de buurt van kinderen.**
3. **Gebruik uitsluitend zoals beschreven in deze gebruiksaanwijzing. Gebruik uitsluitend hulpstukken aanbevolen door de fabrikant.**
4. **Gebruik nooit met een beschadigde accu. Als het apparaat niet werkt zoals het zou moeten werken, is gevallen, is beschadigd, buiten heeft gelegen of in het water is gevallen, stuurt u het terug naar een servicecentrum.**
5. **Hanteer het apparaat niet met natte handen.**

6. Steek geen voorwerpen in de openingen. Gebruik het apparaat niet wanneer een opening verstopt zit, houd het apparaat vrij van stof, pluizen, haar en alles wat de luchtdoorstroming kan hinderen.
7. Houd haar, loshangende kleding, vingers en alle lichaamsdelen uit de buurt van de openingen en bewegende delen.
8. Schakel alle bedieningselementen uit alvorens de accu eraf te halen.
9. Wees extra voorzichtig bij het stofzuigen op een trap.
10. Zuig geen ontvlambare of brandbare vloeistoffen, zoals benzine, op en gebruik het apparaat niet op plaatsen waar deze aanwezig kunnen zijn.
11. Gebruik voor het opladen uitsluitend de acculader die door de fabrikant werd geleverd.
12. Zuig niets op dat brandt of rookt, zoals sigaretten, lucifers of hete as.
13. Gebruik het apparaat niet zonder dat de stofzak en/of filters zijn aangebracht.
14. Laad de accu niet buitenshuis op.
15. Laad uitsluitend op met de acculader die wordt gespecificeerd door de fabrikant. Een acculader die geschikt is voor een bepaald type accu, kan brandgevaar opleveren indien gebruikt met een ander type accu.
16. Gebruik elektrisch gereedschap uitsluitend met de daarvoor bestemde accu. Gebruik van andere accu's kan gevaar voor letsel of brandgevaar opleveren.
17. Als de accu niet wordt gebruikt, houdt u deze uit de buurt van metalen voorwerpen zoals paperclips, muntgeld, sleutels, spijkers, schroeven en andere kleine metalen voorwerpen die een kortsluiting kunnen veroorzaken tussen de accupolen.
18. Onder zware gebruiksomstandigheden kan vloeistof uit de accu komen. Voorkom aanraking. Als aanraking per ongeluk zich voordoet, spoelt u met water.
3. Stop onmiddellijk met het gebruik als u iets abnormaals opmerkt.
4. Als u de stofzuiger laat vallen of ergens tegenaan stoot, controleert u zorgvuldig op barsten of beschadigingen voordat u deze weer gebruikt.
5. Houd uit de buurt van fornuizen en verwarmingsbronnen.
6. Blokkeer de inlaatopening en de ventilatieopeningen niet.

BEWAAR DEZE INSTRUCTIES.

Belangrijke veiligheidsinstructies voor een accu

1. Lees alle voorschriften en waarschuwingen op (1) de acculader, (2) de accu, en (3) het product waarvoor de accu wordt gebruikt, alvorens de accu in gebruik te nemen.
2. Neem de accu niet uit elkaar.
3. Als de gebruikstijd van een opgeladen accu aanzienlijk korter is geworden, moet u het gebruik ervan onmiddellijk stopzetten. Voortgezet gebruik kan oververhitting, brandwonden en zelfs een ontploffing veroorzaken.
4. Als elektrolyt in uw ogen is terechtgekomen, spoelt u uw ogen met schoon water en roept u onmiddellijk de hulp van een dokter in. Elektrolyt in de ogen kan blindheid veroorzaken.
5. Voorkom kortsluiting van de accu:
 - (1) Raak de accuklemmen nooit aan met een geleidend materiaal.
 - (2) Bewaar de accu niet in een bak waarin andere metalen voorwerpen zoals spijkers, munten e.d. worden bewaard.
 - (3) Stel de accu niet bloot aan water of regen. Kortsluiting van de accu kan oorzaak zijn van een grote stroomafgifte, oververhitting, brandwonden, en zelfs defecten.
6. Bewaar het gereedschap en de accu niet op plaatsen waar de temperatuur kan oplopen tot 50°C of hoger.
7. Werp de accu nooit in het vuur, ook niet wanneer hij zwaar beschadigd of volledig versleten is. De accu kan ontploffen in het vuur.
8. Wees voorzichtig dat u de accu niet laat vallen en hem niet blootstelt aan schokken of stoten.
9. Gebruik nooit een beschadigde accu.
10. De bijgeleverde lithium-ionbatterijen zijn onderhevig aan de vereisten in de wetgeving omtrent gevaarlijke stoffen. Voor commercieel transport en dergelijke door derden en transporteurs moeten speciale vereisten ten aanzien van verpakking en etikettering worden nageleefd. Als voorbereiding van het artikel dat wordt getransporteerd is het noodzakelijk een expert op het gebied van gevaarlijke stoffen te raadplegen. Houd u tevens aan mogelijk strengere nationale regelgeving. Blootliggende contactpunten moeten worden afgedekt met tape en de accu moet zodanig worden verpakt dat deze niet kan bewegen in de verpakking.
11. Volg bij het weggooiën van de accu de plaatselijke voorschriften.
12. Gebruik de accu's uitsluitend met de gereedschappen die door Makita zijn aanbevolen. Als de accu's worden aangebracht in niet-compatibele gereedschappen, kan dat leiden tot brand, buitensporige warmteontwikkeling, een explosie of lekkage van elektrolyt.

BEWAAR DEZE INSTRUCTIES.

BEWAAR DEZE INSTRUCTIES.

AANVULLENDE VEILIGHEIDSVoORSCHRIFTEN

Dit apparaat is bedoeld voor huishoudelijk gebruik.

1. Lees deze gebruiksaanwijzing en die van de acculader voor gebruik aandachtig door.
2. Zuig de volgende stoffen niet op:
 - Hete stoffen, zoals brandende sigaretten of gloeiend hete metaaldeeltjes veroorzaakt door het schuren/slijpen van metaal
 - Brandbare stoffen, zoals benzine, thinner, wasbenzine, kerosine of verf
 - Explosieve stoffen, zoals nitroglycerine
 - Ontvlambare stoffen, zoals aluminium, zink, magnesium, titanium, fosfor of celluloid
 - Nat vuil, water, olie en dergelijk
 - Harde stukjes met scherpe randen, zoals houtsnippers, metaaldeeltjes, steentjes, glasstukjes, spijkers, punaises of scheermesjes
 - Poeder dat klontert, zoals cement of toner
 - Geleidend stof, zoals metaalvijsel of koolstofpoeder
 - Zeer fijn stof, zoals cementpoeder
 Een dergelijk gebruik kan leiden tot brand, persoonlijk letsel en/of materiële schade.

⚠ LET OP: Gebruik uitsluitend originele Makita accu's. Het gebruik van niet-originele accu's, of accu's die zijn gewijzigd, kan ertoe leiden dat de accu ontploft en brand, persoonlijk letsel en schade veroorzaakt. Ook vervalt daarmee de garantie van Makita op het gereedschap en de lader van Makita.

Tips voor een maximale levensduur van de accu

1. Laad de accu op voordat hij volledig ontladen is. Stop het gebruik van het gereedschap en laad de accu op telkens wanneer u vaststelt dat het vermogen van het gereedschap is afgenomen.
2. Laad een volledig opgeladen accu nooit opnieuw op. Te lang opladen verkort de levensduur van de accu.
3. Laad de accu op bij een omgevingstemperatuur tussen 10°C en 40°C. Laat een warme accu afkoelen alvorens hem op te laden.

BESCHRIJVING VAN DE FUNCTIES

⚠ LET OP: Zorg altijd dat het gereedschap is uitgeschakeld en de accu ervan is verwijderd alvorens de functies op het gereedschap af te stellen of te controleren.

⚠ LET OP: Wees voorzichtig dat uw vinger(s) niet bekneld raken tussen de stofzuiger en de accu tijdens het aanbrengen van de accu, zoals aangegeven in de afbeelding. Beknelde vinger(s) kunnen tot letsel leiden.

► Fig.1

De accu aanbrengen en verwijderen

⚠ LET OP: Schakel het gereedschap altijd uit voordat u de accu aanbrengt of verwijdert.

⚠ LET OP: Houd het gereedschap en de accu stevig vast tijdens het aanbrengen of verwijderen van de accu. Als u het gereedschap en de accu niet stevig vasthoudt, kunnen deze uit uw handen glijpen en het gereedschap of de accu beschadigen, of kan persoonlijk letsel worden veroorzaakt.

► Fig.2: 1. Rood deel 2. Knop 3. Accu

Om de accu te verwijderen verschuift u de knop aan de voorkant van de accu en schuift u tegelijkertijd de accu uit het gereedschap. Om de accu aan te brengen lijnt u de lip op de accu uit met de groef in de behuizing en duwt u de accu op zijn plaats. Steek de accu zo ver mogelijk in het gereedschap tot u een klikgeluid hoort. Als u het rode deel aan de bovenkant van de knop kunt zien, is de accu niet goed aangebracht.

⚠ LET OP: Breng de accu altijd helemaal aan totdat het rode deel niet meer zichtbaar is. Als u dit niet doet, kan de accu per ongeluk uit het gereedschap vallen en u of anderen in uw omgeving verwonden.

⚠ LET OP: Breng de accu niet met kracht aan. Als de accu niet gemakkelijk in het gereedschap kan worden geschoven, wordt deze niet goed aangebracht.

Accubeveiligingssysteem

Het gereedschap is uitgerust met een accubeveiligingssysteem. Dit systeem sluit automatisch de voeding naar de motor af om de levensduur van de accu te verlengen.

Het gereedschap kan tijdens gebruik automatisch stoppen wanneer het gereedschap en/of de accu aan de volgende omstandigheid wordt blootgesteld:

Onvoldoende accuspanning:

De resterende accucapaciteit is te laag en het gereedschap start niet. Als u het gereedschap inschakelt, draait de motor wel maar stopt kort daarna. In dat geval verwijderd u de accu en laadt u die opnieuw op.

De resterende acculading controleren

Alleen voor accu's met indicatorlampjes

► Fig.3: 1. Indicatorlampjes 2. Testknop

Druk op de testknop op de accu om de resterende acculading te zien. De indicatorlampjes branden gedurende enkele seconden.

Indicatorlampjes		Resterende capaciteit
Brandt	Uit	
■ ■ ■ ■	□	75% tot 100%
■ ■ ■ □	□	50% tot 75%
■ ■ □ □	□	25% tot 50%
■ □ □ □	□	0% tot 25%

OPMERKING: Afhankelijk van de gebruiksomstandigheden en de omgevingstemperatuur, is het mogelijk dat de aangegeven acculading verschilt van de werkelijke acculading.

De trekkerschakelaar gebruiken

⚠ LET OP: Alvorens de accu in het gereedschap te plaatsen, moet u altijd controleren of de trekkerschakelaar goed werkt en bij het loslaten terugkeert naar de stand "OFF".

Om het gereedschap te starten, knijpt u gewoon de trekkerschakelaar in. Laat de trekkerschakelaar los om het gereedschap te stoppen.

► Fig.4: 1. Trekkerschakelaar

De lamp inschakelen

⚠ LET OP: Kijk niet direct in het lamplicht of in de lichtbron.

Om de lamp in te schakelen, knijpt u de trekkerschakelaar in. Terwijl het gereedschap is ingeschakeld, brandt de lamp.

Laat de schakelaar los om de lamp uit te schakelen.

► Fig.5: 1. Lamp 2. Trekkerschakelaar

MONTAGE

⚠ LET OP: Zorg altijd dat het gereedschap is uitgeschakeld en de accu ervan is verwijderd alvorens enig werk aan het gereedschap uit te voeren.

Type filter

Normaal filter

► Fig.6: 1. Beker 2. Voorfilter 3. Filter

Hoogwaardig filter

► Fig.7: 1. Beker 2. Hoogwaardig filter

Het stof weggoien

⚠ LET OP: Leeg de stofzuiger voordat deze te vol raakt omdat dan de zuigkracht afneemt.

⚠ LET OP: Vergeet niet ook het stof binnenin de stofzuiger zelf te verwijderen. Als u dit nalaat, kan het filter verstopt raken of de motor beschadigd raken.

Stof weggoien uit een normaal filter

Om het stof dat aan het filter kleeft in de beker te laten vallen, tikt u met uw hand 4 of 5 keer tegen de beker.

► Fig.8: 1. Beker 2. Zuigmond

Richt de zuigmond omlaag, draai de beker in de richting van de pijl zoals aangegeven in de afbeelding, en haal de beker langzaam en recht eraf.

► Fig.9: 1. Beker 2. Zuigmond

OPMERKING: Houd de vuilniszak onder de beker aangezien stof eruit kan vallen wanneer de beker eraf wordt gehaald.

Verwijder het verzamelde stof uit de binnenkant van de beker en vanaf het voorfilter.

► Fig.10: 1. Voorfilter 2. Beker

Verdraai het voorfilter in de richting van de pijl om de bevestigingslip los te maken van de behuizing van de stofzuiger, en trek vervolgens het voorfilter eraf.

► Fig.11: 1. Voorfilter 2. Bevestigingslip

Verwijder het fijne stof uit het voorfilter. Trek vervolgens het filter eraf en tik er voorzichtig tegen om het stof te verwijderen.

► Fig.12: 1. Filter 2. Voorfilter

Stof weggoien uit een hoogwaardig filter

Om het stof dat aan het filter kleeft in de beker te laten vallen, tikt u met uw hand 4 of 5 keer tegen de beker. Richt nu de zuigmond omlaag, draai de beker in de richting van de pijl zoals aangegeven in de afbeelding, en haal de beker langzaam en recht eraf.

► Fig.13: 1. Beker 2. Zuigmond

OPMERKING: Wanneer de beker eraf wordt gehaald, kan het stof eruit vallen, dus plaatst u eerst een afvalzak onder de beker.

Verwijder het verzamelde stof uit de binnenkant van de beker en vanaf het hoogwaardige filter.

► Fig.14: 1. Beker 2. Hoogwaardig filter

Verdraai het hoogwaardige filter in de richting van de pijl om de bevestigingslip los te maken van de behuizing van de stofzuiger, en trek vervolgens het hoogwaardige filter eraf.

► Fig.15: 1. Bevestigingslip

Verwijder het fijne stof en tik er voorzichtig tegen om het stof los te maken uit het hoogwaardige filter.

In elkaar zetten

Het normale filter aanbrengen

Breng het filter volledig op zijn plaats aan op de behuizing van de stofzuiger.

► Fig.16: 1. Filter

KENNISGEVING: Zorg ervoor dat het filter er recht op aangebracht wordt zonder dubbelgevouwen te worden. Als het filter verkeerd erop aangebracht wordt, zoals aangegeven in de afbeelding, zal het stof binnendringen in het motorhuis en tot motorstoring leiden.

► Fig.17: 1. Filter

Breng het voorfilter aan. Let er daarbij op het voorfilter te verdraaien zodat de bevestigingslip goed vergrendeld wordt in de behuizing van de stofzuiger.

► Fig.18: 1. Voorfilter 2. Bevestigingslip

► Fig.19

Breng de beker aan. Lijn het merkteken op de beker uit met het merkteken bij de handgreep en verdraai de beker daarna stevig in de richting van de pijl tot hij wordt vergrendeld.

► Fig.20: 1. Beker 2. Handgreep 3. Merkteken

OPMERKING: Verwijder het stof altijd tijdig omdat de zuigkracht lager wordt wanneer er te veel stof in de stofzuiger zit.

KENNISGEVING: Controleer altijd of het filter en voorfilter correct zijn aangebracht voordat u de stofzuiger gaat gebruiken. Als deze niet correct zijn aangebracht, zal het stof binnendringen in het motorhuis en tot motorstoring leiden. In het geval de volgende situaties zich voordoen, zijn het filter en/of voorfilter niet correct aangebracht. Breng deze opnieuw en correct aan om het probleem op te lossen.

Voorbeelden van problemen

Voorbeeld 1: Alleen het voorfilter is aangebracht (geen filter)

► Fig.21: 1. Voorfilter

Voorbeeld 2: Alleen het filter is aangebracht (geen voorfilter)

► Fig.22: 1. Filter

Voorbeeld 3: Het filter is aangebracht, maar is dubbelgevouwen

► Fig.23: 1. Filter

Voorbeeld 4: De bevestigingslip van het voorfilter is niet goed vergrendeld in de gleuf in de behuizing van de stofzuiger

► Fig.24: 1. Bevestigingslip 2. Voorfilter 3. Gleuf in de behuizing van de stofzuiger

Het hoogwaardig filter aanbrengen

Breng het hoogwaardig filter aan. Let er daarbij op het hoogwaardige filter te verdraaien zodat de bevestigingslip goed vergrendeld wordt in de behuizing van de stofzuiger.

► **Fig.25:** 1. Hoogwaardig filter 2. Bevestigingslip

► **Fig.26:** 1. Bevestigingslip

Breng de beker aan. Lijn het O-merkteken op de beker uit met het O-merkteken op de handgreep en verdraai de beker daarna stevig in de richting van de pijl tot hij wordt vergrendeld.

► **Fig.27:** 1. O-merkteken

► **Fig.28:** 1. Handgreep 2. Beker

OPMERKING: Verwijder het stof altijd tijdig omdat de zuigkracht lager wordt wanneer er te veel stof in de stofzuiger zit.

OPMERKING: Controleer altijd of het hoogwaardige filter correct is aangebracht voordat u de stofzuiger gaat gebruiken. Als deze niet correct zijn aangebracht, zal het stof binnendringen in het motorhuis en tot motorstoring leiden.

In het geval de volgende situaties zich voordoen, is het hoogwaardige filter niet correct aangebracht. Breng deze opnieuw en correct aan om het probleem op te lossen.

Voorbeelden van problemen

De bevestigingslip van het hoogwaardige filter is niet goed vergrendeld in de gleuf in de behuizing van de stofzuiger.

► **Fig.29:** 1. Bevestigingslip 2. Gleuf in de behuizing van de stofzuiger

BEDIENING

▲LET OP: Om een accessoire, zoals een mondstuk, aan te brengen, steekt u de accessoire in de zuigmond en verdraait u deze in de richting van de pijl voor een stevige verbinding tijdens gebruik. Om de accessoire eraf te halen, verdraait u deze ook in de richting van de pijl en trekt u hem eraf. Als u de accessoire in de tegenovergestelde richting verdraait bij het aanbrengen of eraf halen, kan de beker los raken.

► **Fig.30:** 1. Beker

Schoonmaken (zuigen)

Mondstuk

Bevestig het mondstuk voor het schoonmaken van tafels, bureaus, meubels, enz. Het mondstuk kan eenvoudig op de stofzuiger worden geplaatst.

► **Fig.31:** 1. Mondstuk

Mondstuk + verlengbuis (rechte buis)

De verlengbuis past tussen het mondstuk en de stofzuigermond. Deze werkwijze is handig bij het stofzuigen van de grond terwijl u rechtop staat.

► **Fig.32:** 1. Behuizing van de stofzuiger
2. Verlengbuis 3. Mondstuk

Hoekmondstuk

Bevestig het hoekmondstuk voor het stofzuigen in hoeken en spleten van meubels of in auto's.

► **Fig.33:** 1. Hoekmondstuk 2. Behuizing van de stofzuiger

Hoekmondstuk + verlengbuis (rechte buis)

In kleine ruimten waar de stofzuiger zelf niet in past, of op hoge plaatsen die moeilijk te bereiken zijn, gebruikt u deze werkwijze.

► **Fig.34:** 1. Hoekmondstuk 2. Verlengbuis
3. Behuizing van de stofzuiger

Stofzuigen zonder mondstuk

U kunt poeder en stof opzuigen zonder een mondstuk.

► **Fig.35**

ONDERHOUD

▲LET OP: Zorg altijd dat het gereedschap is uitgeschakeld en de accu ervan is verwijderd alvorens te beginnen met onderhoud of inspectie.

Na gebruik

KENNISGEVING: Als u de stofzuiger tegen een muur laat leunen zonder enige andere steun, kan de stofzuiger omvallen en beschadigd raken.

► **Fig.36**

Schoonmaken

KENNISGEVING: Gebruik nooit benzine, wasbenzine, thinner, alcohol en dergelijke. Hierdoor kunnen verkleuring, vervormingen en barsten worden veroorzaakt.

KENNISGEVING: Blaas stof dat op de stofzuiger en filters zit er niet af met behulp van een persluchtspuit. Hierdoor kan het stof in het huis komen en een defect veroorzaken.

KENNISGEVING: Nadat de filters zijn gewassen, droogt u ze grondig voordat u ze gebruikt. Onvoldoende gedroogde filters kunnen leiden tot slecht zuigen en de levensduur van de motor verkorten.

KENNISGEVING: Nadat de filters en het sponsfilter zijn gereinigd, vergeet u niet ze weer aan te brengen vóór gebruik. Als u de stofzuiger gebruikt zonder de filters en het sponsfilter, zal het stof binnendringen in het motorhuis en een defect veroorzaken.

Behuizing van de stofzuiger

Veeg regelmatig de buitenkant (behuizing) van de stofzuiger schoon met een in zeepwater bevochtigde doek. Maak tevens de stofzuigermond en de filterbevestigingsplaats schoon.

► **Fig.37**

Filter

Was het filter in zeepwater als deze verstopt zit met stof en de zuigkracht van de stofzuiger is afgenomen. Droog het goed alvorens weer te gebruiken.

► Fig.38

Sponsfilter

Wanneer het sponsfilter vuil is geworden, maakt u het als volgt schoon.

1. Verwijder het filter.
2. Trek het sponsfilter tussen de stangen door eruit.
3. Maak het sponsfilter schoon door het te kloppen of te wassen. Als u het wast, droogt u het goed alvorens het te gebruiken.

4. Plaats het sponsfilter tussen de stangen door op zijn oorspronkelijke plaats. Zorg ervoor dat elke onder-rand van een stang het sponsfilter op zijn plaats gedrukt houdt en er geen opening zit tussen het sponsfilter en de stofzuigermond.

► Fig.39: 1. Sponsfilter 2. Onderrand van stang

Het mondstuk reinigen

Wanneer de borstel van het mondstuk stoffig is geworden, verwijdert u het stof met behulp van plakband.

► Fig.40: 1. Borstel

Problemen oplossen

Alvorens om reparatie te verzoeken, controleert u de volgende punten.

Symptoom	Mogelijke oorzaak	Mogelijke oplossing
Geringe zuigkracht	Zit de beker vol stof?	Gooi het stof in de beker weg.
	Zit het filter verstopt?	Reinig of was het filter.
	Is de accu leeg?	Laad de accu op.
Apparaat werkt niet	Is de accu leeg?	Laad de accu op.

⚠ LET OP: Probeer de stofzuiger niet zelf te repareren.

Om de VEILIGHEID en BETROUWBAARHEID van het gereedschap te handhaven, dienen alle reparaties, onderhoud of afstellingen te worden uitgevoerd bij een erkend Makita-servicecentrum of de Makita-fabriek, en altijd met gebruik van Makita-ervangingsonderdelen.

OPTIONELE ACCESSOIRES

⚠ LET OP: Deze accessoires of hulpstukken worden aanbevolen voor gebruik met het Makita gereedschap dat in deze gebruiksaanwijzing is beschreven. Bij gebruik van andere accessoires of hulpstukken bestaat het gevaar van persoonlijke letsel. Gebruik de accessoires of hulpstukken uitsluitend voor hun bestemde doel.

Wenst u meer bijzonderheden over deze accessoires, neem dan contact op met het plaatselijke Makita-servicecentrum.

- Verlengbuis (rechte buis)
- Mondstuk
- Mondstuk voor tapijt
- Boekenplankborstel
- Hoekmondstuk
- Ronde borstel
- Flexibele slang
- Filter
- Voorfilter
- Hoogwaardig filter
- Originele Makita accu's en acculaders

OPMERKING: Sommige items op de lijst kunnen zijn inbegrepen in de doos van het gereedschap als standaard toebehoren. Deze kunnen van land tot land verschillen.

ADVERTENCIA

Este aparato puede ser utilizado por niños de 8 o más años de edad y personas con capacidades físicas, sensoriales o mentales mermadas, o sin experiencia y conocimiento, si han recibido supervisión o instrucción para el uso del aparato de forma segura y son conscientes del peligro que implica. Los niños no deben jugar con el aparato. La limpieza y mantenimiento que debe hacer el usuario no deben ser realizados por niños sin supervisión.

ESPECIFICACIONES

Modelo:	CL106FD	
Capacidad	600 ml	
Uso continuo (con batería BL1016)	Aprox. 16 min.	
Longitud total	958 mm	
Tensión nominal	CC 10,8 V - 12 V máx	
Cartucho de batería	BL 1015 / BL 1016 / BL 1020B / BL 1021B	BL 1040B / BL 1041B
Peso neto	1,0 kg	1,1 kg

- Debido a nuestro continuado programa de investigación y desarrollo, las especificaciones aquí dadas están sujetas a cambios sin previo aviso.
- Las especificaciones y el cartucho de batería pueden diferir de país a país.
- Peso, con cartucho de batería, de acuerdo con el procedimiento EPTA 01/2003

Símbolos

A continuación se muestran los símbolos utilizados con este equipo. Asegúrese de que entiende su significado antes de usarlo.



Lea el manual de instrucciones.



Sólo para países de la Unión Europea ¡No deseche los aparatos eléctricos o baterías junto con los residuos domésticos! De conformidad con las Directivas Europeas, sobre residuos de equipos eléctricos y electrónicos y baterías y acumuladores y residuos de baterías y acumuladores y su aplicación de acuerdo con la legislación nacional, los aparatos eléctricos y pilas y baterías cuya vida útil haya llegado a su fin deberán ser recogidos por separado y trasladados a una planta de reciclaje que cumpla con las exigencias ecológicas.

Uso previsto

La herramienta ha sido prevista para recoger polvo seco.

ADVERTENCIAS DE SEGURIDAD

Advertencias de seguridad para la aspiradora inalámbrica

⚠️ ADVERTENCIA: ¡IMPORTANTE! LEA CON ATENCIÓN todas las advertencias de seguridad y todas las instrucciones ANTES DE UTILIZAR. No seguir las advertencias e instrucciones puede resultar en una descarga eléctrica, un incendio y/o heridas graves.

1. **No exponga el aparato a la lluvia. Almacene el aparato en interiores.**
2. **No permita que el aparato sea utilizado como juguete. Es necesario prestar mucha atención cuando el aparato sea utilizado por niños o cerca de ellos.**
3. **Utilice el aparato solamente de la forma descrita en este manual. Utilice solamente los accesorios recomendados por el fabricante.**

4. No utilice el aparato con una batería dañada. Si el aparato no está funcionando como es debido, si se ha dejado caer, se ha dañado, se ha dejado en exteriores, o se ha caído al agua, llévelo a un centro de servicio.
5. No maneje el aparato con las manos mojadas.
6. No ponga ningún objeto dentro de las aberturas. No utilice el aparato con ninguna de sus aberturas bloqueada; manténgalo libre de polvo, hilachas, pelo, y cualquier cosa que pueda reducir el flujo de aire.
7. Mantenga el pelo, ropa holgada, dedos, y todas las partes del cuerpo alejadas de las aberturas y partes en movimiento.
8. Desactive todos los controles antes de extraer la batería.
9. Tenga cuidado especial cuando limpie en escaleras.
10. No utilice el aparato para recoger líquidos inflamables o combustibles, tal como gasolina, ni en áreas donde pueda haber tales líquidos.
11. Utilice para recargar solamente el cargador suministrado por el fabricante.
12. No recoja nada que esté quemándose o echando humo, tal como cigarrillos, cerillas, o cenizas calientes.
13. No utilice el aparato sin estar instalados la bolsa de polvo y/o los filtros.
14. No cargue la batería en exteriores.
15. Recargue solamente con el cargador especificado por el fabricante. Un cargador que es apropiado para un tipo de batería puede crear un riesgo de incendio cuando se utiliza con otra batería.
16. Utilice las herramientas eléctricas solamente con las baterías designadas específicamente para ellas. La utilización de cualquier otra batería puede crear un riesgo de heridas o incendio.
17. Cuando la batería no esté siendo utilizada, manténgala alejada de otros objetos metálicos, como sujetapapeles, monedas, llaves, clavos, tornillos u otros objetos metálicos pequeños, que puedan hacer conexión entre un terminal y otro.
18. En condiciones abusivas, es posible que salga expulsado líquido de la batería; evite el contacto con él. Si se produce un contacto accidental, enjuague con agua.

GUARDE ESTAS INSTRUCCIONES.

NORMAS DE SEGURIDAD ADICIONALES

Este aparato ha sido previsto para ser utilizado en el hogar.

1. Lea este manual de instrucciones y el manual de instrucciones del cargador atentamente antes de utilizar el aparato.
2. No recoja los materiales siguientes:
 - Materiales calientes tales como cigarrillos encendidos o polvo de chispas/metales generado al amolar/cortar metales

- Materiales inflamables tales como gasolina, disolvente, bencina, keroseno o pintura
 - Materiales explosivos como nitroglicerina
 - Materiales que puedan prenderse como aluminio, cinc, magnesio, titanio, fósforo o celuloide
 - Suciedad mojada, agua, aceite o similares
 - Piezas duras con bordes cortantes, tales como virutas de madera, metales, piedras, cristales, clavos, alfileres o cuchillas de afeitar
 - Polvo que cuaje tal como cemento o tóner
 - Polvo conductivo tal como metal o carbón
 - Partículas finas como polvo de cemento
- Tales acciones podrán causar un incendio, heridas y/o daños a la propiedad.
3. Detenga inmediatamente la operación si nota algo anormal.
 4. Si deja caer o golpea la aspiradora, compruebe atentamente si tiene grietas o algún daño antes de iniciar la operación.
 5. No lo acerque a estufas u otras fuentes de calor.
 6. No bloquee el orificio de admisión ni los orificios de ventilación.

GUARDE ESTAS INSTRUCCIONES.

Instrucciones de seguridad importantes para el cartucho de batería

1. Antes de utilizar el cartucho de batería, lea todas las instrucciones e indicaciones de precaución sobre (1) el cargador de baterías, (2) la batería, y (3) el producto con el que se utiliza la batería.
2. No desarme el cartucho de batería.
3. Si el tiempo de uso se acorta demasiado, cese la operación inmediatamente. Podría resultar en un riesgo de recalentamiento, posibles quemaduras e incluso una explosión.
4. Si entra electrólito en sus ojos, aclárelos con agua limpia y acuda a un médico inmediatamente. Existe el riesgo de poder perder la vista.
5. No cortocircuite el cartucho de batería:
 - (1) No toque los terminales con ningún material conductor.
 - (2) Evite guardar el cartucho de batería en un cajón junto con otros objetos metálicos, como clavos, monedas, etc.
 - (3) No exponga el cartucho de batería al agua ni a la lluvia.

Un cortocircuito en la batería puede producir una gran circulación de corriente, un recalentamiento, posibles quemaduras e incluso una rotura de la misma.

6. No guarde la herramienta y el cartucho de batería en lugares donde la temperatura pueda alcanzar o exceder los 50 °C.
7. Nunca incinere el cartucho de batería incluso en el caso de que esté dañado seriamente o ya no sirva en absoluto. El cartucho de batería puede explotar si se tira al fuego.
8. Tenga cuidado de no dejar caer ni golpear el cartucho de batería.
9. No utilice una batería dañada.
10. Las baterías de litio-ion contenidas están sujetas a los requisitos de la Legislación para Materiales Peligrosos.
Para transportes comerciales, p.ej., por terceras personas y agentes de transportes, se deberán observar requisitos especiales para el empaquetado y etiquetado.
Para la preparación del artículo que se va a enviar, se requiere consultar con un experto en materiales peligrosos. Por favor, observe también la posibilidad de reglamentos nacionales más detallados.
Cubra con cinta aislante o enmascare los contactos expuestos y empaquete la batería de tal manera que no se pueda mover alrededor dentro del embalaje.
11. **Siga los reglamentos locales referentes al desecho de la batería.**
12. **Utilice las baterías solamente con los productos especificados por Makita.** La instalación de las baterías en productos no compatibles puede resultar en un incendio, calor excesivo, explosión, o fuga de electrolito.

GUARDE ESTAS INSTRUCCIONES.

⚠PRECAUCIÓN: Utilice solamente baterías genuinas de Makita. La utilización de baterías no genuinas de Makita, o baterías que han sido alteradas, puede resultar en una explosión de la batería ocasionando incendios, heridas personales y daños. También anulará la garantía de Makita para la herramienta y el cargador de Makita.

Consejos para alargar al máximo la vida de servicio de la batería

1. **Cargue el cartucho de batería antes de que se descargue completamente. Detenga siempre la operación y cargue el cartucho de batería cuando note menos potencia en la herramienta.**
2. **No cargue nunca un cartucho de batería que esté completamente cargado. La sobrecarga acortará la vida de servicio de la batería.**
3. **Cargue el cartucho de batería a temperatura ambiente de 10 °C - 40 °C. Si un cartucho de batería está caliente, déjelo enfriar antes de cargarlo.**

DESCRIPCIÓN DEL FUNCIONAMIENTO

⚠PRECAUCIÓN: Asegúrese siempre de que la herramienta está apagada y el cartucho de batería retirado antes de realizar cualquier ajuste o comprobación en la herramienta.

⚠PRECAUCIÓN: Tenga cuidado de no pillarse el dedo(s) entre la aspiradora y la batería como se muestra en el diagrama cuando instale la batería. Si se pilla el dedo(s) podrá ocasionarse una herida.

► Fig.1

Instalación o extracción del cartucho de batería

⚠PRECAUCIÓN: Apague siempre la herramienta antes de instalar o retirar el cartucho de batería.

⚠PRECAUCIÓN: Sujete la herramienta y el cartucho de batería firmemente cuando instale o retire el cartucho de batería. Si no sujeta la herramienta y el cartucho de batería firmemente podrán caérsele de las manos y resultar en daños a la herramienta y al cartucho de batería y heridas personales.

► Fig.2: 1. Indicador rojo 2. Botón 3. Cartucho de batería

Para retirar el cartucho de batería, deslícelo de la herramienta mientras desliza el botón de la parte frontal del cartucho.

Para instalar el cartucho de batería, alinee la lengüeta del cartucho de batería con la ranura de la carcasa y deslícelo hasta que encaje en su sitio. Insértelo a tope hasta que se bloquee en su sitio produciendo un pequeño chasquido. Si puede ver el indicador rojo en el lado superior del botón, no estará bloqueado completamente.

⚠PRECAUCIÓN: Instale siempre el cartucho de batería completamente hasta que no pueda verse el indicador rojo. En caso contrario, podrá caerse accidentalmente de la herramienta y ocasionarle heridas a usted o a alguien que esté cerca de usted.

⚠PRECAUCIÓN: No instale el cartucho de batería empleando fuerza. Si el cartucho no se desliza al interior fácilmente, será porque no está siendo insertado correctamente.

Sistema de protección de la batería

La herramienta está equipada con un sistema de protección de la batería. Este sistema corta automáticamente la alimentación del motor para alargar la vida útil de la batería.

La herramienta se detendrá automáticamente durante la operación si la herramienta y/o la batería son puestas en la condición siguiente:

Tensión baja en la batería:

La capacidad de batería restante es muy baja y la herramienta no funcionará. Si enciende la herramienta, el motor se pondrá en marcha otra vez pero se detendrá enseguida. En esta situación, retire la batería y vuelva a cargarla.

Modo de indicar la capacidad de batería restante

Solamente para cartuchos de batería con el indicador

► **Fig.3:** 1. Lámparas indicadoras 2. Botón de comprobación

Presione el botón de comprobación en el cartucho de batería para indicar la capacidad de batería restante. Las lámparas indicadoras se iluminan durante unos pocos segundos.

Lámparas de indicación		Capacidad restante
Iluminada	Apagada	
■ ■ ■ ■	□	75% a 100%
■ ■ ■ □	□	50% a 75%
■ ■ □ □	□ □	25% a 50%
■ □ □ □	□ □ □ □	0% a 25%

NOTA: Dependiendo de las condiciones de utilización y de la temperatura ambiente, la indicación podrá variar ligeramente de la capacidad real.

Accionamiento del interruptor

PRECAUCIÓN: Antes de insertar el cartucho de batería en la herramienta, compruebe siempre para cerciorarse de que el gatillo interruptor se acciona debidamente y que vuelve a la posición "OFF" cuando lo suelta.

Para poner en marcha la herramienta, simplemente apriete el gatillo interruptor. Suelte el gatillo interruptor para parar.

► **Fig.4:** 1. Gatillo interruptor

Encendido de la lámpara

PRECAUCIÓN: No mire a la luz ni vea la fuente de luz directamente.

Para encender la lámpara, apriete el gatillo interruptor. La lámpara se enciende mientras la herramienta está activada.

Suelte el interruptor para apagar la lámpara.

► **Fig.5:** 1. Lámpara 2. Gatillo interruptor

MONTAJE

PRECAUCIÓN: Asegúrese siempre de que la herramienta está apagada y el cartucho de batería retirado antes de realizar cualquier trabajo en la herramienta.

Tipo de filtro

Filtro normal

► **Fig.6:** 1. Cápsula 2. Prefiltro 3. Filtro

Filtro de alto rendimiento

► **Fig.7:** 1. Cápsula 2. Filtro de alto rendimiento

Extracción del polvo

PRECAUCIÓN: Vacíe la aspiradora antes de que se llene demasiado, o la fuerza de succión se debilitará.

PRECAUCIÓN: Asegúrese de vaciar el polvo del interior de la propia aspiradora. De lo contrario, el filtro podrá obstruirse o dañarse el motor.

Para retirar el polvo para filtro normal

Para que el polvo adherido en el filtro caiga en la cápsula, golpee la cápsula 4 o 5 veces con la mano.

► **Fig.8:** 1. Cápsula 2. Boca de succión

Oriente la boca de succión hacia abajo, gire la cápsula en la dirección de la flecha como se muestra en la ilustración, y desconecte la cápsula despacio y en línea recta.

► **Fig.9:** 1. Cápsula 2. Boca de succión

NOTA: Asegúrese de colocar una bolsa de basura debajo de la cápsula, porque el polvo se podrá derramar cuando abra la cápsula.

Extraiga el polvo acumulado en el interior de la cápsula y del prefiltro.

► **Fig.10:** 1. Prefiltro 2. Cápsula

Gire el prefiltro en la dirección de la flecha para soltar la pestaña de sujeción de la unidad de la aspiradora y después extraiga el prefiltro.

► **Fig.11:** 1. Prefiltro 2. Pestaña de sujeción

Quite el polvo fino que quede en el prefiltro. Y después, extraiga el filtro y golpéelo ligeramente para retirar el polvo.

► **Fig.12:** 1. Filtro 2. Prefiltro

Para retirar el polvo para filtro de alto rendimiento

Para que el polvo adherido en el filtro caiga en la cápsula, golpee la cápsula 4 o 5 veces con la mano.

Ahora oriente la boca de succión hacia abajo, gire la cápsula en la dirección de la flecha en el diagrama, y desconecte la cápsula despacio y en línea recta.

► **Fig.13:** 1. Cápsula 2. Boca de succión

NOTA: El polvo se puede derramar cuando se abre la cápsula, por lo que asegúrese de poner una bolsa de basura debajo de la cápsula.

Retire el polvo acumulado del interior de la cápsula y del filtro de alto rendimiento.

► **Fig.14:** 1. Cápsula 2. Filtro de alto rendimiento

Gire el filtro de alto rendimiento en la dirección de la flecha para soltar la pestaña de sujeción de la unidad de la aspiradora y después extraiga el filtro.

► **Fig.15:** 1. Pestaña de sujeción

Quite el polvo fino y golpee ligeramente para remover el polvo del filtro de alto rendimiento.

Nuevo montaje

Montaje de nuevo para filtro normal

Coloque el filtro completamente en su posición en la unidad de la aspiradora.

► **Fig.16:** 1. Filtro

AVISO: Asegúrese de poner el filtro en línea recta sin que quede desprendido hacia atrás. Si el filtro es puesto incorrectamente como se muestra en la ilustración, el polvo entrará en el alojamiento del motor, y ocasionará un fallo en el motor.

► **Fig.17:** 1. Filtro

Instale el prefiltro. Ahora, asegúrese de girar el prefiltro de forma que la pestaña de sujeción quede bloqueada firmemente en la unidad de la aspiradora.

► **Fig.18:** 1. Prefiltro 2. Pestaña de sujeción

► **Fig.19**

Instale la cápsula. Alinee la marca en la cápsula con la marca cerca de la empuñadura y después gire la cápsula firmemente en la dirección de la flecha hasta que quede sujeta.

► **Fig.20:** 1. Cápsula 2. Empuñadura 3. Marca

NOTA: Extraiga siempre el polvo con anticipación, ya que la potencia de succión se reducirá si hay demasiado polvo acumulado en la aspiradora.

AVISO: Asegúrese siempre de comprobar que tanto el filtro como el prefiltro están colocados correctamente antes de utilizar la aspiradora. Si no están colocados correctamente, el polvo entrará en el alojamiento del motor, y ocasionará un fallo en el motor. Si ocurren los ejemplos siguientes, el filtro y el prefiltro no estarán colocados correctamente. Vuelva a colocarlos correctamente para rectificar el problema.

Ejemplos de problemas

Ejemplo 1: Solo ha sido colocado el prefiltro (no el filtro)

► **Fig.21:** 1. Prefiltro

Ejemplo 2: Solo ha sido colocado el filtro (no el prefiltro)

► **Fig.22:** 1. Filtro

Ejemplo 3: El filtro ha sido colocado quedando desprendido hacia atrás

► **Fig.23:** 1. Filtro

Ejemplo 4: La pestaña de sujeción del prefiltro no está bloqueada firmemente en la ranura de la carcasa de la aspiradora

► **Fig.24:** 1. Pestaña de sujeción 2. Prefiltro 3. Ranura de la carcasa de la aspiradora

Montaje de nuevo para filtro de alto rendimiento

Conecte el filtro de alto rendimiento. En este momento, asegúrese de girar el filtro de alto rendimiento de forma que la pestaña de sujeción quede bloqueada firmemente dentro de la unidad de la aspiradora.

► **Fig.25:** 1. Filtro de alto rendimiento 2. Pestaña de sujeción

► **Fig.26:** 1. Pestaña de sujeción

Conecte la cápsula. Alinee el símbolo O de la cápsula con el símbolo O de la empuñadura y después gire la cápsula firmemente en la dirección de la flecha hasta que quede sujeta.

► **Fig.27:** 1. Marca O

► **Fig.28:** 1. Empuñadura 2. Cápsula

NOTA: Extraiga siempre el polvo con anticipación, ya que la potencia de succión se reducirá si hay demasiado polvo en la aspiradora.

NOTA: Asegúrese siempre de comprobar que el filtro de alto rendimiento está colocado correctamente antes de utilizar la aspiradora. Si no están colocados correctamente, el polvo entrará en el alojamiento del motor, y ocasionará un fallo de motor. Si ocurren los ejemplos siguientes, el filtro de alto rendimiento no estará colocado correctamente. Vuelva a colocarlos correctamente para rectificar el problema.

Ejemplos de problemas

La pestaña de sujeción del filtro de alto rendimiento no está bloqueada firmemente dentro de la ranura de la carcasa de la aspiradora.

► **Fig.29:** 1. Pestaña de sujeción 2. Ranura de la carcasa de la aspiradora

OPERACIÓN

PRECAUCIÓN: Para conectar accesorios, tales como boquillas, gire e inserte el accesorio en la dirección de la flecha para que la conexión esté asegurada durante la utilización. Para desconectar los accesorios, gírelos y extraígalos también en la dirección de la flecha. Si un accesorio es girado en la dirección opuesta cuando sea conectado o desconectado, es posible que la cápsula se afloje.

► **Fig.30:** 1. Cápsula

Limpeza (Succión)

Boquilla

Coloque la boquilla para limpiar mesas, escritorios, muebles, etc. La boquilla se coloca fácilmente.

► **Fig.31:** 1. Boquilla

Boquilla + Tubo de extensión (Tubo recto)

El tubo de extensión se encaja entre la boquilla y la propia aspiradora. Esta disposición resulta útil para limpiar un suelo en posición erecta.

► **Fig.32:** 1. Cuerpo de la aspiradora 2. Tubo de extensión 3. Boquilla

Boquilla para esquinas

Encaje la boquilla para esquinas para limpiar esquinas y resquicios de un automóvil o mueble.

► **Fig.33:** 1. Boquilla para esquinas 2. Cuerpo de la aspiradora

Boquilla para esquinas + Tubo de extensión (Tubo recto)

En espacios reducidos donde la propia aspiradora no pueda entrar, o en lugares altos difíciles de alcanzar, utilice esta disposición.

► **Fig.34:** 1. Boquilla para esquinas 2. Tubo de extensión 3. Cuerpo de la aspiradora

Limpieza sin boquilla

Puede recoger partículas y polvo sin la boquilla.

► **Fig.35**

MANTENIMIENTO

⚠PRECAUCIÓN: Asegúrese siempre de que la herramienta está apagada y de que el cartucho de batería está retirado antes de intentar hacer una inspección o mantenimiento.

Después de la utilización

AVISO: La colocación de la aspiradora contra una pared sin ningún soporte dará lugar a que la aspiradora se caiga y se dañe.

► **Fig.36**

Limpieza

AVISO: No utilice nunca gasolina, bencina, disolvente, alcohol o similares. Podría producir descoloración, deformación o grietas.

AVISO: No sople el polvo adherido a la aspiradora y los filtros con un soplador de aire.

Introducirá polvo dentro del alojamiento y ocasionará fallos.

AVISO: Después de lavar los filtros, séquelos completamente antes de utilizar. Un secado insuficiente de los filtros puede ocasionar una mala succión y acortar la vida de servicio del motor.

AVISO: Después de limpiar los filtros y el filtro de esponja, asegúrese de volver a instalarlos antes de utilizar. Si utiliza la aspiradora sin los filtros y el filtro de esponja, el polvo entrará en el alojamiento del motor y ocasionará un mal funcionamiento.

Cuerpo de la aspiradora

De vez en cuando, limpie el exterior de la aspiradora (cuerpo de la aspiradora) utilizando un paño humedecido en agua jabonosa.

Limpie también la abertura de succión y el área de montaje del filtro.

► **Fig.37**

Filtro

Lave el filtro en agua jabonosa cuando esté obstruido con polvo y la potencia de la aspiradora se debilite. Séquelo completamente antes de utilizarlo.

► **Fig.38**

Filtro de esponja

Cuando el filtro de esponja se ensucie, límpielo de la forma siguiente.

1. Retire el filtro.
2. Extraiga el filtro de esponja pasándolo entre los pilares.
3. Limpie el filtro de esponja golpeándolo ligeramente o lavándolo. Si lo lava, séquelo completamente antes de utilizar.
4. Inserte el filtro de esponja pasándolo entre los pilares y colóquelo en la posición original. Asegúrese de que cada borde inferior del pilar sujete el filtro de esponja, y que no haya holgura entre el filtro de esponja y la abertura de succión.

► **Fig.39:** 1. Filtro de esponja 2. Borde inferior del pilar

Limpieza de la boquilla

Cuando la escobilla de la boquilla se llene de polvo, retire el polvo con una cinta adhesiva.

► **Fig.40:** 1. Escobilla

Solución de problemas

Antes de solicitar una reparación, compruebe los puntos siguientes.

Sintoma	Área a investigar	Método de reparación
Poca potencia de succión	¿Está llena de polvo la cápsula?	Vacíe el polvo de la cápsula.
	¿Está obstruido el filtro?	Limpie o lave el filtro.
	¿Está agotado el cartucho de batería?	Cargue el cartucho de batería.
No funciona	¿Está agotado el cartucho de batería?	Cargue el cartucho de batería.

⚠ PRECAUCIÓN: No intente reparar la aspiradora usted mismo.

Para mantener la SEGURIDAD y FIABILIDAD del producto, las reparaciones, y cualquier otra tarea de mantenimiento o ajuste deberán ser realizadas en centros de servicio o de fábrica autorizados por Makita, empleando siempre repuestos Makita.

ACCESORIOS OPCIONALES

⚠ PRECAUCIÓN: Estos accesorios o aditamentos están recomendados para su uso con la herramienta Makita especificada en este manual.

El uso de cualquier otro accesorio o aditamento puede suponer un riesgo de heridas personales. Utilice el accesorio o aditamento solamente con la finalidad indicada para el mismo.

Si necesita cualquier ayuda para más detalles en relación con estos accesorios, pregunte al centro de servicio Makita local.

- Tubo de extensión (Tubo recto)
- Boquilla
- Boquilla para alfombras
- Cepillo para estanterías
- Boquilla para esquinas
- Cepillo redondo
- Manguera flexible
- Filtro
- Prefiltro
- Filtro de alto rendimiento
- Batería y cargador genuinos de Makita

NOTA: Algunos elementos de la lista podrán estar incluidos en el paquete de la herramienta como accesorios estándar. Pueden variar de un país a otro.

AVISO

Este aparelho pode ser utilizado por crianças com 8 anos e mais de idade e por pessoas com capacidades físicas, sensoriais ou mentais reduzidas ou com falta de experiência e conhecimento, se tiverem recebido supervisão ou instruções relativas à utilização segura do aparelho e conheçam os respetivos perigos. As crianças não devem brincar com o aparelho. A limpeza e manutenção pelo utilizador não devem ser realizadas por crianças sem supervisão.

ESPECIFICAÇÕES

Modelo:	CL106FD	
Capacidade	600 mL	
Utilização contínua (com bateria BL1016)	Aprox. 16 min	
Comprimento total	958 mm	
Tensão nominal	CC 10,8 V - 12 V máx.	
Bateria	BL 1015 / BL 1016 / BL 1020B / BL 1021B	BL 1040B / BL 1041B
Peso líquido	1,0 kg	1,1 kg

- Devido a um programa contínuo de pesquisa e desenvolvimento, estas especificações estão sujeitas a alteração sem aviso prévio.
- As especificações e a bateria podem variar de país para país.
- Peso, com a bateria, de acordo com o Procedimento 01/2003 da EPTA (European Power Tool Association)

Símbolos

A seguir são apresentados os símbolos utilizados para o equipamento. Certifique-se de que compreende o seu significado antes de utilizar o equipamento.



Leia o manual de instruções.



Apenas para países da UE.
Não elimine equipamentos elétricos ou baterias com o lixo doméstico! Tendo em conta as Diretivas europeias relativas a resíduos de equipamentos elétricos e eletrónicos e baterias e acumuladores e resíduos de baterias e acumuladores e à implementação das mesmas de acordo com as leis nacionais, os equipamentos elétricos e as baterias e pacotes de baterias que chegaram ao fim da vida têm de ser recolhidos separadamente e entregues a instalações de reciclagem ambientalmente compatíveis.

Utilização a que se destina

Esta ferramenta serve para recolher pó seco.

AVISOS DE SEGURANÇA

Avisos de segurança do aspirador de pó a bateria

AVISO: IMPORTANTE! LEIA COM ATENÇÃO todos os avisos de segurança e todas as instruções ANTES DA UTILIZAÇÃO. Caso não siga os avisos e instruções, pode apanhar um choque elétrico, provocar um incêndio e/ou ferimentos graves.

1. **Não exponha à chuva. Guarde dentro de casa. Não permita que seja utilizado como brinquedo. Tenha cuidado especialmente quando o aparelho for utilizado por crianças ou próximo delas.**
2. **Utilize-o somente de acordo com as instruções deste manual. Utilize somente os acessórios recomendados pelo fabricante.**
3. **Não utilize com uma bateria danificada. Se o aparelho não funcionar corretamente, for derrubado, danificado, deixado ao ar livre ou cair na água, leve-o ao centro de assistência.**
4. **Não manuseie o aparelho com as mãos molhadas.**

6. Não coloque nenhum objeto nas aberturas. Não o utilize com uma abertura bloqueada; mantenha-o limpo, sem poeira, pelos, cabelos ou qualquer outra coisa que possa reduzir o fluxo de ar.
7. Mantenha os cabelos, roupas largas, dedos e outras partes do corpo afastadas das aberturas e das peças em movimento.
8. Desligue todos os controles antes de retirar a bateria.
9. Tenha cuidado especialmente ao limpar escadas.
10. Não utilize para aspirar líquidos inflamáveis ou combustíveis, tal como gasolina, nem utilize em áreas onde esses produtos podem estar presentes.
11. Utilize somente o carregador fornecido pelo fabricante para recarregar.
12. Não utilize para aspirar algo que está a queimar ou a soltar fumo, tal como cigarros, fósforos ou cinzas quentes.
13. Não utilize sem o saco para pó e/ou os filtros devidamente instalados.
14. Não carregue a bateria ao ar livre.
15. Recarregue apenas com o carregador especificado pelo fabricante. Um carregador que é adequado para um tipo de conjunto de baterias poderá criar um risco de incêndio quando utilizado com outro conjunto de baterias.
16. Utilize ferramentas elétricas apenas com conjuntos de baterias especificamente concebidos. A utilização de quaisquer outros conjuntos de baterias poderá criar um risco de ferimentos e incêndio.
17. Quando (o) conjunto de baterias não estiver a ser utilizado, mantenha-o afastado de outros objetos de metal, tais como cliques de papel, moedas, chaves, pregos, parafusos ou outros objetos de metal pequenos que possam estabelecer ligação de um terminal a outro.
18. Mediante condições abusivas, o líquido poderá ser ejetado da bateria; evite o contacto. Caso ocorra o contacto acidentalmente, lavar com água.

GUARDE ESTAS INSTRUÇÕES.

REGRAS DE SEGURANÇA ADICIONAIS

Este aparelho destina-se à utilização doméstica.

1. Antes de utilizar o aparelho, leia cuidadosamente este manual de instruções bem como o manual do carregador.
2. Não aspire os seguintes materiais:
 - Materiais quentes, tais como cigarros acesos ou faíscas/pó de metal produzidos ao esmerilar/cortar metal
 - Materiais inflamáveis, tais como gasolina, diluentes, benzina, querosene ou tinta
 - Materiais explosivos como nitroglicerina
 - Materiais inflamáveis, tais como alumínio, zinco, magnésio, titânio, fósforo ou celulólido
 - Sujidade húmida, água, óleo, etc.
 - Artigos rígidos com arestas cortantes, tais como aparas de madeira, metais, pedras, vidros, pregos, pinos e lâminas de barbear
 - Pó para solidificar, como cimento ou tóner
 - Pó condutivo, tal como metal ou carbono
 - Partículas minúsculas como de betão

Isso pode provocar incêndio, ferimentos e/ou danos à propriedade.

3. Desligue o aspirador imediatamente se notar qualquer funcionamento anormal.
4. Se deixar cair ou bater o aspirador, inspecione cuidadosamente para ver se há rachaduras ou danos antes de utilizar.
5. Não aproxime de fogões nem de outras fontes de calor.
6. Não bloqueie os orifícios de entrada e saída de ar.

GUARDE ESTAS INSTRUÇÕES.

Instruções de segurança importantes para a bateria

1. Antes de utilizar a bateria, leia todas as instruções e etiquetas de precaução no (1) carregador de bateria (2) bateria e (3) produto que utiliza a bateria.
2. Não abra a bateria.
3. Se o tempo de funcionamento se tornar excessivamente curto, pare o funcionamento imediatamente. Pode resultar em sobreaquecimento, possíveis queimaduras e mesmo explosão.
4. Se entrar eletrólito nos seus olhos, lave-os com água e consulte imediatamente um médico. Pode resultar em perda de visão.
5. Não coloque a bateria em curto-circuito:
 - (1) Não toque nos terminais com qualquer material condutor.
 - (2) Evite guardar a bateria juntamente com outros objetos metálicos tais como pregos, moedas, etc.
 - (3) Não exponha a bateria à água ou chuva. Um curto-circuito pode ocasionar um enorme fluxo de corrente, sobreaquecimento, possíveis queimaduras e mesmo estragar-se.
6. Não guarde a ferramenta e a bateria em locais onde a temperatura pode atingir ou exceder 50°C.
7. Não queime a bateria mesmo que esteja estragada ou completamente gasta. A bateria pode explodir no fogo.
8. Tenha cuidado para não deixar cair ou dar pancadas na bateria.
9. Não utilize uma bateria danificada.
10. As baterias de íões de lítio contidas na ferramenta são sujeitas aos requisitos da DGL (Dangerous Goods Legislation - Legislação de bens perigosos). Para o transporte comercial, por exemplo, por terceiros ou agentes de expedição, têm de ser observados os requisitos referentes à embalagem e etiquetagem. Para preparação do artigo a ser expedido, é necessário consultar um perito em materiais perigosos. Tenha ainda em conta a possibilidade de existirem regulamentos nacionais mais detalhados. Coloque fita-cola ou tape os contactos abertos e embale a bateria de tal forma que não possa mover-se dentro da embalagem.
11. Siga os regulamentos locais relacionados com a eliminação de baterias.
12. Utilize as baterias apenas com os produtos especificados pela Makita. Instalar as baterias em produtos não-conformes poderá resultar num incêndio, calor excessivo, explosão ou fuga de eletrólito.

GUARDE ESTAS INSTRUÇÕES.

⚠️ PRECAUÇÃO: Utilize apenas baterias genuínas da Makita. A utilização de baterias não genuínas da Makita ou de baterias que foram alteradas, pode resultar no reben-tamento da bateria provocando incêndios, ferimentos pes-soais e danos. Além disso, anulará da garantia da Makita no que se refere à ferramenta e ao carregador Makita.

Conselhos para manter a máxima vida útil da bateria

1. Carregue a bateria antes que esteja comple-tamente descarregada. Pare sempre o funcio-namento da ferramenta e carregue a bateria quando notar menos poder na ferramenta.
2. Nunca carregue uma bateria completamente carregada. Carregamento excessivo diminui a vida útil da bateria.
3. Carregue a bateria à temperatura ambiente de 10°C – 40°C. Deixe que uma bateria quente arrefeça antes de a carregar.

DESCRIÇÃO FUNCIONAL

⚠️ PRECAUÇÃO: Certifique-se sempre de que a ferramenta está desligada e a bateria foi retirada antes de regular ou verificar qualquer função na ferramenta.

⚠️ PRECAUÇÃO: Ao colocar a bateria, tome cuidado para não prender o(s) dedo(s) entre o aspirador e a bateria, como ilustrado no dia-grama. Poderá sofrer ferimentos no(s) dedo(s).

► Fig.1

Instalação ou remoção da bateria

⚠️ PRECAUÇÃO: Desligue sempre a ferramenta antes de colocar ou retirar a bateria.

⚠️ PRECAUÇÃO: Segure firmemente a ferra-menta e a bateria quando instalar ou remover a bateria. Se não segurar firmemente a ferramenta e a bateria pode fazer com que escorreguem das suas mãos resultando em danos na ferramenta e na bate-ria e ferimentos pessoais.

► Fig.2: 1. Indicador vermelho 2. Botão 3. Bateria

Para retirar a bateria, deslize-a para fora da ferramenta enquanto desliza o botão na frente da bateria.

Para instalar a bateria, alinhe a lingueta da bateria com a ranhura no compartimento e deslize-a no lugar. Empurre-até o fim para que a mesma encaixe no lugar com um clique. Se puder ver a parte vermelha no lado superior do botão, significa que não está completamente bloqueada.

⚠️ PRECAUÇÃO: Instale sempre a bateria até ao fim, até deixar de ver o indicador vermelho. Caso contrário, a bateria poderá cair da ferramenta acidentalmente e provocar ferimentos em si mesmo ou em alguém próximo.

⚠️ PRECAUÇÃO: Não instale a bateria à força. Se a bateria não deslizar facilmente é porque não foi colocada corretamente.

Sistema de proteção da bateria

A ferramenta está equipada com um sistema de prote-ção da bateria. Este sistema corta automaticamente a energia para o motor a fim de prolongar a vida útil da bateria.

A ferramenta para automaticamente durante o funcio-namento se a mesma e/ou a bateria estiver na seguinte circunstância:

Baixa tensão da bateria:

A carga restante da bateria está baixa demais e a fer-ramenta não funciona. Se ligar a ferramenta, o motor funciona novamente mas para logo a seguir. Nesse caso, retire a bateria e recarregue-a.

Indicação da capacidade restante da bateria

Apenas para baterias com indicador

► Fig.3: 1. Luzes indicadoras 2. Botão de verificação

Prima o botão de verificação na bateria para indicar a capacidade restante da bateria. As luzes indicadoras acendem durante alguns segundos.

Luzes indicadoras		Carga restante
Aceso	Desligada	
		75% a 100%
		50% a 75%
		25% a 50%
		0% a 25%

NOTA: Dependendo das condições de utilização e da temperatura ambiente, a indicação pode ser ligeira-mente diferente da capacidade real.

Ação do interruptor

⚠️ PRECAUÇÃO: Antes de colocar a bateria na ferramenta, verifique sempre se o gatilho do interruptor funciona corretamente e volta para a posição "OFF" quando libertado.

Para iniciar a ferramenta, carregue simplesmente no gatilho do interruptor. Liberte o gatilho do interruptor para parar.

► Fig.4: 1. Gatilho do interruptor

Acender a luz

⚠️ PRECAUÇÃO: Não olhe para a luz ou para a fonte de iluminação diretamente.

Para ligar a lâmpada, carregue no gatilho do interruptor. Durante o arranque da ferramenta, a lâmpada acende. Solte o interruptor para desligar a lâmpada.

► Fig.5: 1. Lâmpada 2. Gatilho do interruptor

MONTAGEM

⚠️ PRECAUÇÃO: Certifique-se sempre de que a ferramenta está desligada e a bateria retirada antes de executar qualquer trabalho na ferramenta.

Tipo de filtro

Filtro normal

► Fig.6: 1. Cápsula 2. Pré-filtro 3. Filtro

Filtro de elevado desempenho

► Fig.7: 1. Cápsula 2. Filtro de elevado desempenho

Eliminar o pó

⚠️ PRECAUÇÃO: Esvazie o aspirador antes que fique muito cheio, caso contrário a força de sucção diminuirá.

⚠️ PRECAUÇÃO: Certifique-se de que esvazia o pó do interior do próprio aspirador. Se não o fizer, o filtro pode ficar obstruído ou o motor pode ser danificado.

Eliminação de pó para o filtro normal

Para desalojar o pó grudado no filtro na cápsula, bata levemente com a mão na cápsula umas 4 ou 5 vezes.

► Fig.8: 1. Cápsula 2. Bocal de sucção

Aponte o bocal de sucção para baixo, rode a cápsula no sentido da seta mostrada no diagrama e desprenda a cápsula devagar e em linha reta.

► Fig.9: 1. Cápsula 2. Bocal de sucção

NOTA: Certifique-se de que coloca um saco do lixo por baixo da cápsula, dado que o pó poderá ser derramado quando a cápsula estiver aberta.

Retire o pó acumulado dentro da cápsula e no pré-filtro.

► Fig.10: 1. Pré-filtro 2. Cápsula

Rode o pré-filtro no sentido da seta para desapertar a borda de fixação da unidade do aspirador e retire o pré-filtro.

► Fig.11: 1. Pré-filtro 2. Borda de fixação

Limpe o pó fino do pré-filtro. Em seguida, remova o filtro e bata-o de leve para remover o pó.

► Fig.12: 1. Filtro 2. Pré-filtro

Eliminação de pó para o filtro de elevado desempenho

Para desalojar o pó grudado no filtro na cápsula, bata levemente com a mão na cápsula umas 4 ou 5 vezes. Aponte agora o bocal de sucção para baixo, rode a cápsula no sentido da seta mostrada no diagrama e desprenda a cápsula devagar e em linha reta.

► Fig.13: 1. Cápsula 2. Bocal de sucção

NOTA: O pó poderá ser derramado quando a cápsula estiver aberta, por isso, certifique-se de que instala um saco do lixo por baixo da cápsula.

Retire o pó acumulado do interior da cápsula e para fora do filtro de elevado desempenho.

► Fig.14: 1. Cápsula 2. Filtro de elevado desempenho

Rode o filtro de elevado desempenho no sentido da seta para desapertar a borda de fixação da unidade do aspirador e retire o filtro.

► Fig.15: 1. Borda de fixação

Limpe o pó fino e bata-o de leve para desalojar o pó do filtro de elevado desempenho.

Remontagem

Remontagem para o filtro normal

Coloque o filtro completamente na posição na unidade do aspirador.

► Fig.16: 1. Filtro

OBSERVAÇÃO: Assegure-se de que o filtro está instalado direito, sem ficar dobrado para trás. Se o filtro for instalado incorretamente, como ilustrado no diagrama, o pó entrará na caixa do motor e provocará a falha do motor.

► Fig.17: 1. Filtro

Instale o pré-filtro. Agora, certifique-se de que roda o pré-filtro de forma a que a borda de fixação fique firmemente bloqueada na unidade do aspirador.

► Fig.18: 1. Pré-filtro 2. Borda de fixação

► Fig.19

Instale a cápsula. Alinhe o símbolo na cápsula com o símbolo junto do cabo e rode a cápsula com firmeza no sentido da seta até prender.

► Fig.20: 1. Cápsula 2. Cabo 3. Símbolo

NOTA: Limpe sempre o pó antecipadamente, pois a capacidade de sucção será reduzida se houver muito pó no aspirador.

OBSERVAÇÃO: Antes de utilizar o aspirador, verifique sempre se o filtro e o pré-filtro estão instalados corretamente. Se estiverem instalados incorretamente, entrará pó na caixa do motor e provocará a falha do motor. Se ocorrerem os problemas seguintes, o filtro e o pré-filtro não estão instalados corretamente. Recarregue-os corretamente para resolver o problema.

Exemplos de problemas

Exemplo 1: Apenas o pré-filtro foi instalado (sem o filtro)

► Fig.21: 1. Pré-filtro

Exemplo 2: Apenas o filtro foi instalado (sem o pré-filtro)

► Fig.22: 1. Filtro

Exemplo 3: O filtro foi instalado dobrado para trás

► Fig.23: 1. Filtro

Exemplo 4: A borda de fixação do pré-filtro não está bloqueada firmemente na ranhura da caixa do aspirador

► Fig.24: 1. Borda de fixação 2. Pré-filtro 3. Ranhura da caixa do aspirador

Remontagem para o filtro de elevado desempenho

Ligue o filtro de elevado desempenho. Agora, certifique-se de que roda o filtro de elevado desempenho de forma a que a borda de fixação fique firmemente bloqueada na unidade do aspirador.

► **Fig.25:** 1. Filtro de elevado desempenho 2. Borda de fixação

► **Fig.26:** 1. Borda de fixação

Ligue a cápsula. Alinhe o símbolo O na cápsula com o símbolo O no cabo e rode a cápsula com firmeza no sentido da seta até prender.

► **Fig.27:** 1. Símbolo O

► **Fig.28:** 1. Cabo 2. Cápsula

NOTA: Limpe sempre o pó antecipadamente, pois a capacidade de sucção será reduzida se houver muito pó no aspirador.

NOTA: Antes de utilizar o aspirador, verifique sempre se o filtro de elevado desempenho está instalado corretamente. Se estiverem instalados incorretamente, entrará pó na caixa do motor e provocará a falha do motor. Se ocorrerem os exemplos seguintes, o filtro de elevado desempenho não está instalado corretamente. Recarregue-os corretamente para resolver o problema.

Exemplos de problemas

A borda de fixação do filtro de elevado desempenho não está bloqueada firmemente na ranhura da caixa do aspirador.

► **Fig.29:** 1. Borda de fixação 2. Ranhura da caixa do aspirador

OPERAÇÃO

⚠PRECAUÇÃO: Para instalar os acessórios, tal como o bocal, rode e insira o acessório no sentido da seta para que fique seguro durante a utilização. Para retirar os acessórios, rode e extraia-os também no sentido da seta. Se rodar um acessório no sentido oposto ao ser instalado ou retirado, a cápsula pode se soltar.

► **Fig.30:** 1. Cápsula

Limpeza (Sucção)

Bocal

Instale o bocal para limpar mesas, secretárias, móveis, etc. O bocal encaixa com facilidade.

► **Fig.31:** 1. Bocal

Bocal + Tubo extensor (tubo reto)

O tubo extensor é conectado entre o bocal e o aspirador. Esta disposição é conveniente para limpar um pavimento numa posição vertical.

► **Fig.32:** 1. Armação do aspirador 2. Tubo extensor 3. Bocal

Bocal para cantos

Encaixe o bocal para cantos para limpeza de cantos e frestas de carros ou móveis.

► **Fig.33:** 1. Bocal para cantos 2. Armação do aspirador

Bocal para cantos + Tubo extensor (Tubo reto)

Utilize este arranjo para limpar em locais estreitos onde o aspirador não entra ou em locais altos de difícil acesso.

► **Fig.34:** 1. Bocal para cantos 2. Tubo extensor 3. Armação do aspirador

Limpeza sem o bocal

É possível fazer a aspiração de poeira e pó sem o bocal.

► **Fig.35**

MANUTENÇÃO

⚠PRECAUÇÃO: Certifique-se sempre de que a ferramenta se encontra desligada e de que a bateria foi retirada antes de executar qualquer inspeção ou manutenção.

Após utilização

OBSERVAÇÃO: Colocar o aspirador contra a parede sem qualquer outro apoio faz com que o aspirador caia e sofra danos.

► **Fig.36**

Limpeza

OBSERVAÇÃO: Nunca utilize gasolina, benzina, diluente, álcool ou produtos semelhantes. Pode ocorrer a descoloração, deformação ou rachaduras.

OBSERVAÇÃO: Não sobre pó colado no aspirador e nos filtros através do espanador de pó. Traz pó para dentro do compartimento e causa avaria.

OBSERVAÇÃO: Após lavar os filtros, seque-os bem antes da utilização. Os filtros secos de forma insuficiente podem prejudicar a sucção e diminuir a vida útil do motor.

OBSERVAÇÃO: Após limpar os filtros e o filtro de esponja, certifique-se de que os instala antes de usar. Se utilizar o aspirador sem os filtros e o filtro de esponja, o pó entra na caixa do motor e provoca anomalias.

Armação do aspirador

Limpe periodicamente o exterior do aspirador (armação) com um pano humedecido em água e sabão. Limpe também a abertura de sucção e a área de montagem do filtro.

► **Fig.37**

Filtro

Lave o filtro em água e sabão quando estiver obstruído com pó e quando houver redução da potência do aspirador. Seque-o completamente antes de utilizar.

► Fig.38

Filtro de esponja

Quando o filtro de esponja ficar sujo, limpe-o do seguinte modo.

1. Remova o filtro.
2. Remova o filtro de esponja de entre os pilares.
3. Limpe o filtro de esponja sacudindo-o ou lavando-o. Se o lavar, seque-o completamente antes de utilizar.

4. Insira o filtro de esponja entre os pilares e instale-o na posição original. Certifique-se de que cada bordo inferior do pilar mantém o filtro de esponja preso e que não existe um intervalo entre o filtro de esponja e a abertura de sucção.

► Fig.39: 1. Filtro de esponja 2. Bordo inferior do pilar

Limpeza do bocal

Quando a escova do bocal ficar com pó, limpe o pó com adesivo.

► Fig.40: 1. Escova

Resolução de problemas

Antes de solicitar reparações, verifique os pontos seguintes.

Sintoma	Área a verificar	O que fazer
Potência de sucção fraca	A cápsula está cheia de pó?	Esvazie a cápsula de pó.
	O filtro está obstruído?	Limpe ou lave o filtro.
	A bateria está descarregada?	Carregue a bateria.
Não funciona	A bateria está descarregada?	Carregue a bateria.

⚠PRECAUÇÃO: Não tente reparar o aspirador por sua conta.

Para manter a SEGURANÇA e a FIABILIDADE do produto, as reparações e qualquer outra manutenção ou ajuste devem ser levados a cabo pelos centros de assistência Makita autorizados ou pelos centros de assistência de fábrica, utilizando sempre peças de substituição Makita.

ACESSÓRIOS OPCIONAIS

⚠PRECAUÇÃO: Estes acessórios ou peças são recomendados para utilização com a ferramenta Makita especificada neste manual. A utilização de outros acessórios ou peças pode ser perigosa para as pessoas. Utilize apenas acessórios ou peças para os fins indicados.

Se necessitar de informações adicionais relativas a estes acessórios, solicite-as ao seu centro de assistência Makita.

- Tubo extensor (tubo reto)
- Bocal
- Bocal para carpete
- Escova para prateleiras
- Bocal para cantos
- Escova redonda
- Mangueira flexível
- Filtro
- Pré-filtro
- Filtro de elevado desempenho
- Bateria e carregador genuínos da Makita

NOTA: Alguns itens da lista podem estar incluídos na embalagem da ferramenta como acessórios padrão. Eles podem variar de país para país.

ADVARSEL

Dette apparat kan bruges af børn på 8 år og derover samt af personer med nedsatte fysiske, sensoriske eller mentale evner eller manglende erfaring eller viden, hvis de er under opsyn eller har modtaget instruktion i sikker anvendelse af apparatet og forstår de farer, der er involveret. Børn må ikke lege med apparatet. Rengøring og bruger-vedligeholdelse må ikke udføres af børn, der ikke er under opsyn.

SPECIFIKATIONER

Model:	CL106FD	
Kapacitet	600 ml	
Kontinuerlig anvendelse (med batteri BL1016)	Cirka 16 min	
Længde i alt	958 mm	
Mærkespænding	D.C. 10,8 V - 12 V maks.	
Akku	BL1015 / BL1016 / BL1020B / BL1021B	BL1040B / BL1041B
Nettovægt	1,0 kg	1,1 kg

- På grund af vores kontinuerlige forsknings- og udviklingsprogrammer kan hosstående specifikationer blive ændret uden varsel.
- Specifikationer og akku kan variere fra land til land.
- Vægt inklusive akku, i henhold til EPTA-Procedure 01/2003

Symboler

Følgende viser de symboler, der anvendes til udstyret. Vær sikker på, at De forstår betydningen af symbolerne før brugen.



Læs betjeningsvejledningen.



Kun for landene i EU
Bortskaf ikke elektrisk udstyr eller batteripakken sammen med husholdningsaffald! I overensstemmelse med det europæiske direktiv om bortskaffelse af affald fra elektriske og elektroniske produkter samt batterier og akkuer, samt bortskaffelse af batterier og akkuer, og deres anvendelse i overensstemmelse med nationale love skal elektrisk udstyr samt batterier og batteripakke(r), der har nået udløbet af deres levetid, indsamles separat og returneres til en miljøvenlig genanvendelsesfacilitet.

Tilsigtet anvendelse

Denne maskine er beregnet til opugning af tørt støv.

SIKKERHEDSADVARSLER

Sikkerhedsadvarsler for akku støvsuger

ADVARSEL: VIGTIGT! LÆS OMHYGGELIGT alle sikkerhedsadvarsler og alle instruktioner FØR BRUGEN. Hvis advarselne og instruktionerne ikke overholdes, kan det medføre elektrisk stød, brand og/eller alvorlig personskade.

1. **Udsæt ikke for regn. Opbevares inden døre.**
2. **Må ikke benyttes som legetøj. Nøjje overvågning er nødvendig, hvis den anvendes af eller i nærheden af børn.**
3. **Anvend kun som beskrevet i denne brugsvejledning. Anvend kun tilbehørsdele, som anbefales af fabrikanten.**
4. **Anvend ikke med et beskadiget batteri. Hvis apparatet ikke virker, som det skal, er blevet tabt, beskadiget, efterladt uden døre eller har været tabt i vand, skal det indleveres til et servicecenter.**
5. **Rør ikke ved apparatet med våde hænder.**
6. **Stik ikke nogen genstande ind i åbningerne. Anvend ikke med blokerede åbninger. Hold dem fri for støv, fnug, hår og alt, hvad der kan hindre luftstrømmen.**
7. **Hold hår, løse beklædningsgenstande, fingre og alle kroppsdele på god afstand af åbningerne og de bevægende dele.**

8. Deaktiver alle kontroller, inden batteriet tages ud.
9. Udvis ekstra forsigtighed ved rengøring på trapper.
10. Anvend ikke til at opsuge brændbare eller letantændelige væsker som for eksempel benzin, og anvend ikke på steder, hvor disse væsker kan forefindes.
11. Anvend kun den oplader, som leveres af fabrikannten, til genopladning.
12. Opsug ikke noget, som brænder eller ryger, for eksempel cigaretter, tændstikker eller varm aske.
13. Anvend ikke, uden at støvposen og/eller filtrene er sat på plads.
14. Oplad ikke batteriet uden døre.
15. Genoplad kun med den oplader, der er angivet af fabrikanten. En oplader, der er beregnet til én type akku, kan forårsage risiko for brand, hvis den bruges med en anden akku.
16. Brug kun maskiner sammen med de specifikt tilhørende akkuer. Brug af andre akkuer kan medføre risiko for personskade og brand.
17. Når akkuen ikke anvendes, skal du holde den på afstand af andre metalgenstande som f.eks. papirclips, mønter, nøgler, søm, skruer eller andre små metalgenstande, der kan skabe forbindelse fra én terminal til en anden.
18. Ved misbrug kan der sprøjte væske ud fra batteriet. Undgå kontakt. Skyl med vand i tilfælde af kontakt.

GEM DENNE BRUGSANVISNING.

SUPPLERENDE SIKKERHEDSREGLER

Dette apparat er beregnet til husholdningsbrug.

1. Læs denne brugsvejledning og instruktionerne for opladning grundigt inden brugen.
2. Undlad at samle følgende materialer op:
 - Varme materialer som for eksempel tændte cigaretter eller gnister/metalstøv, som er frembragt ved slibning/skæring af metal
 - Brændbare materialer som for eksempel benzin, fortynder, rensbenzin, petroleum og maling
 - Eksplosive materialer som for eksempel nitroglycerin
 - Antændelige materialer som for eksempel aluminium, zink, magnesium, titan, fosfor eller celluloid
 - Vådt snavs, vand, olie eller lignende
 - Hårde genstande med skarpe kanter som for eksempel træspåner, metal, sten, glas, søm, knappenåle og barberblade
 - Pulver, der storkner, for eksempel cement og toner
 - Ledende støv som for eksempel metal eller kulfiber
 - Fine partikler som for eksempel betonstøv
 Dette kan forårsage brand, personskade og/eller materiel skade.
3. Hold øjeblikkeligt op med brugen, hvis du registrerer noget unormalt.
4. Hvis du kommer til at tabe eller støde til støvsugeren, skal du omhyggeligt efterse den for revner eller anden beskadigelse inden brugen.
5. Hold den på god afstand af ovne og andre varmekilder.

6. Undlad at blokere indsuigningsåbningen eller ventilationshullerne.

GEM DENNE BRUGSANVISNING.

Vigtige sikkerhedsinstruktioner for akkuen

1. Læs alle instruktioner og advarselmærkater på (1) akku-opladeren, (2) akkuen og (3) produktet, som anvender akku.
2. Lad være med at skille akkuen ad.
3. Hold straks op med anvendelsen, hvis brugstiden er blevet stærkt afkortet. Fortsat anvendelse kan resultere i risiko for overophedning, forbrændinger og endog eksplosion.
4. Hvis De har fået elektrolytvæske i øjnene, skal De straks skylle den ud med rent vand og derefter øjeblikkeligt søge lægehjælp. I modsat fald kan De miste synet.
5. Vær påpasselig med ikke at komme til at kortslutte akkuen:
 - (1) Rør ikke ved terminalerne med noget ledende materiale.
 - (2) Undgå at opbevare akkuen i en beholder sammen med andre genstande af metal, for eksempel søm, mønter og lignende.
 - (3) Udsæt ikke akkuen for vand eller regn. Kortslutning af akkuen kan forårsage en kraftig øgning af strømmen, overophedning, mulige forbrændinger og endog værktøjstop.
6. Opbevar ikke værktøjet og akkuen på et sted, hvor temperaturen kan nå eller overstige 50 °C.
7. Lad være med at brænde akkuen, selv ikke i tilfælde, hvor den har lidt alvorlig skade eller er fuldstændig udtjent. Akkuen kan eksplodere, hvis man forsøger at brænde den.
8. Lad være med at brænde akkuen eller udsætte den for stød.
9. Anvend ikke en beskadiget akku.
10. De indbyggede litium-ion-batterier er underlagt lovkrav vedrørende farligt gods. Ved kommerciel transport, f.eks. af tredjeparts transportselskaber, skal særlige krav til forpakning og mærkning overholdes. Ved forberedelse af udstyret til forsendelse skal du kontakte en ekspert i farligt gods. Overhold også eventuel mere detaljeret national lovgivning. Tape eller tildæk åbne kontakter, og pak batteriet på en måde, så det ikke kan flytte sig rundt i pakningen.
11. Følg de lokale love vedrørende bortskaffelsen af batterier.
12. Brug kun batterierne med de produkter, som Makita specificerer. Hvis batterierne installeres i ikke-kompatible produkter, kan det medføre brand, kraftig varme, eksplosion eller udsivning af elektrolyt.

GEM DENNE BRUGSANVISNING.

⚠️FORSIGTIG: Brug kun originale batterier fra Makita. Brug af uoriginale Makita-batterier, eller batterier som er blevet ændret, kan muligvis medføre brud på batteriet, hvilket kan forårsage brand, personskade eller beskadigelse. Det ugyldiggør også Makita-garantien for Makita-maskinen og opladeren.

Tips til opnåelse af maksimal akku-levetid

1. Oplad akkuen, inden den er helt afladet. Stop altid værktøjet, og oplad akkuen, hvis De bemærker, at værktøjeffekten er aftagende.
2. Genoplad aldrig en fuldt opladet akku. Overoplading vil afkorte akkuens levetid.
3. Oplad akkuen ved stuetemperatur ved 10 °C - 40 °C. Lad altid en varm akku få tid til at køle af, inden den oplades.

FUNKTIONSBESKRIVELSE

⚠FORSIGTIG: Sørg altid for at maskinen er slukket, og at akkuen er taget ud, før der udføres justering eller kontrol af funktioner på maskinen.

⚠FORSIGTIG: Vær påpasselig med ikke at få fingrene i klemme mellem støvsugeren og batteriet som vist på illustrationen, når du sætter batteriet i. Hvis du får fingrene i klemme, kan det medføre personskaade.

► Fig.1

Isætning eller fjernelse af akkuen

⚠FORSIGTIG: Sluk altid for værktøjet, før De monterer eller fjerner akkuen.

⚠FORSIGTIG: Hold værktøjet og akkuen fast ved montering eller fjernelse af akkuen. Hvis De ikke holder værktøjet og akkuen fast, kan de glide ud af hænderne på Dem og forårsage beskadigelse af værktøjet og akkuen eller personskaade.

► Fig.2: 1. Rød indikator 2. Knap 3. Akku

Akkuen fjernes ved, at De trækker den ud af værktøjet, idet De skyder knappen på forsiden af akkuen i stilling.

Akkuen monteres ved, at De sætter tungen på akkuen ud for noten i kabinettet og lader den glide på plads. Sæt den hele vejen ind, så den låses på plads med et lille klik. Hvis den røde indikator på oversiden af knappen er synlig, betyder det, at den ikke er tilstrækkeligt låst.

⚠FORSIGTIG: Monter altid akkuen helt, indtil den røde indikator ikke længere er synlig. Hvis dette ikke gøres, kan den falde ud af værktøjet ved et uheld, hvorved De selv eller personer i nærheden kan komme til skade.

⚠FORSIGTIG: Brug ikke magt ved montering af akkuen. Hvis akkuen ikke glider på plads uden problemer, betyder det, at den ikke sættes i på korrekt vis.

Batteribeskyttelsessystem

Maskinen er udstyret med et batteribeskyttelsessystem. Dette system afbryder automatisk strømmen til motoren for at forlænge akkulevetiden.

Maskinen stopper automatisk under anvendelsen, hvis maskinen og/eller akkuen udsættes for den følgende situation:

Lav spænding på akkuen:

Den resterende batteriladning er for lav, og maskinen vil ikke fungere. Hvis De tænder for maskinen, kører motoren igen, men stopper hurtigt. I denne situation skal De fjerne og oplade akkuen.

Indikation af den resterende batteriladning

Kun til akkuer med indikatoren

► Fig.3: 1. Indikatorlamper 2. Kontrolknap

Tryk på kontrolknappen på akkuen for at få vist den resterende batteriladning. Indikatorlampen lyser i nogle sekunder.

Indikatorlamper		Resterende kapacitet
Tændt	Slukket	
		75% til 100%
		50% til 75%
		25% til 50%
		0% til 25%

BEMÆRK: Afhængigt af brugsforholdene og den omgivende temperatur kan indikationen afvige en smule fra den faktiske ladning.

Afbryderbetjening

⚠FORSIGTIG: Inden akkuen sættes i maskinen, bør De altid kontrollere, at afbryderknappen fungerer korrekt, og returnerer til "OFF"-positionen, når den slippes.

For at starte maskinen trykkes der blot på afbryderknappen. Slip afbryderknappen for at stoppe.

► Fig.4: 1. Afbryderknap

Tænding af lampen

⚠FORSIGTIG: Kig aldrig direkte på lyskilden. Lad ikke lyset falde i Deres øjne.

Tryk på afbryderknappen for at tænde lampen. Lampen tændes, mens maskinen aktiveres.

Slip kontakten for at slukke for lampen.

► Fig.5: 1. Lampe 2. Afbryderknap

SAMLING

⚠FORSIGTIG: Sørg altid for at maskinen er slukket, og at akkuen er taget ud, før der udføres noget arbejde på maskinen.

Type af filter

Normalt filter

► Fig.6: 1. Kapsel 2. Forfilter 3. Filter

Højtydende filter

► Fig.7: 1. Kapsel 2. Højtydende filter

Bortskaffelse af støv

⚠FORSIGTIG: Tøm støvsugeren, inden den bliver for fuld, ellers formindskes sugekraften.

⚠FORSIGTIG: Sørg for at tømme indersiden af selve støvsugeren for støv. Hvis dette ikke gøres, kan filteret blive tilstoppet, eller motoren kan blive beskadiget.

Fjernelse af støv for normalt filter

For at fjerne støv, der sidder fast på filteret i kapslen, skal du banke 4 eller 5 gange på den med hånden.

► **Fig.8:** 1. Kapsel 2. Sugeåbning

Ret sugeåbningen nedad, drej kapslen i pilens retning som vist, og tag kapslen langsomt og lige af.

► **Fig.9:** 1. Kapsel 2. Sugeåbning

BEMÆRK: Sørg for at placere en affaldspose under kapslen, da der kan komme støv ud, når kapslen åbnes.

Fjern opsamlet støv fra indersiden af kapslen og fra forfilteret.

► **Fig.10:** 1. Forfilter 2. Kapsel

Drej forfilteret i pilens retning for at frigøre sikkerhedskanten fra støvsugeren, og træk derefter forfilteret af.

► **Fig.11:** 1. Forfilter 2. Sikkerhedskant

Fjern fint støv fra forfilteret. Tag derefter filteret af, og bank let på det for at fjerne støvet.

► **Fig.12:** 1. Filter 2. Forfilter

Fjernelse af støv for højtydende filter

For at fjerne støv, der sidder fast på filteret i kapslen, skal du banke 4 eller 5 gange på den med hånden. Ret nu sugeåbningen nedad, drej kapslen i retningen af pilen i diagrammet, og tag kapslen langsomt og lige af.

► **Fig.13:** 1. Kapsel 2. Sugeåbning

BEMÆRK: Der kan falde støv ud, når kapslen åbnes, så sørg for at stille en affaldspose under kapslen.

Fjern opsamlet støv fra indersiden af kapslen og fra det højtydende filter.

► **Fig.14:** 1. Kapsel 2. Højtydende filter

Drej det højtydende filter i pilens retning for at frigøre sikkerhedskanten fra støvsugeren, og træk derefter filteret af.

► **Fig.15:** 1. Sikkerhedskant

Fjern det fine støv, og bank let for at løse støv fra det højtydende filter.

Genmontering

Genmontering af normalt filter

Sæt filteret helt på plads på støvsugeren.

► **Fig.16:** 1. Filter

BEMÆRKNING: Sørg for, at filteret sættes lige på, uden at det foldes tilbage. Hvis filteret sættes forkeret på som vist, vil der trænge støv ind i motorhuset og medføre motorfejl.

► **Fig.17:** 1. Filter

Installer forfilteret. Sørg på dette tidspunkt for at dreje forfilteret, så sikkerhedskanten låses godt fast på støvsugeren.

► **Fig.18:** 1. Forfilter 2. Sikkerhedskant

► **Fig.19**

Installer kapslen. Juster mærket på kapslen i forhold til mærket i nærheden af håndtaget, og drej derefter kapslen fast i pilens retning, indtil den sidder fast.

► **Fig.20:** 1. Kapsel 2. Håndtag 3. Mærke

BEMÆRK: Fjern altid støv i tide, da sugekraften reduceres, hvis der er for meget støv i støvsugeren.

BEMÆRKNING: Sørg altid for at kontrollere, at både filteret og forfilteret er sat korrekt i, inden støvsugeren anvendes. Hvis de ikke er sat korrekt i, vil der trænge støv ind i motorhuset, hvilket vil medføre motorfejl. Hvis de følgende eksempler opstår, er filteret og forfilteret ikke sat korrekt i. Sæt dem korrekt i igen for at løse problemet.

Eksempler på problemer

Eksempel 1: Kun forfilteret er sat i (intet filter)

► **Fig.21:** 1. Forfilter

Eksempel 2: Kun filteret er sat i (intet forfilter)

► **Fig.22:** 1. Filter

Eksempel 3: Filteret er isat i en tilbagefoldet tilstand

► **Fig.23:** 1. Filter

Eksempel 4: Forfilterets sikkerhedskant sidder ikke ordentlig fast i rillen på støvsuger kabinetet

► **Fig.24:** 1. Sikkerhedskant 2. Forfilter 3. Rille på støvsuger kabinet

Genmontering af højtydende filter

Tilslut højtydende filter. Sørg på dette tidspunkt for at dreje det højtydende filter, så sikkerhedskanten låses godt fast på støvsugeren.

► **Fig.25:** 1. Højtydende filter 2. Sikkerhedskant

► **Fig.26:** 1. Sikkerhedskant

Monter kapsel. Juster O-symbolet på kapslen i forhold til O-symbolet på håndtaget, og drej derefter kapslen fast i pilens retning, indtil den sidder fast.

► **Fig.27:** 1. O-mærke

► **Fig.28:** 1. Håndtag 2. Kapsel

BEMÆRK: Fjern altid støv i tide, da sugestyrken reduceres, hvis der er for meget støv i støvsugeren.

BEMÆRK: Sørg altid for at kontrollere, at det højtydende filter er sat korrekt i, inden støvsugeren anvendes. Hvis de ikke er sat korrekt i, vil der trænge støv ind i motorhuset, hvilket vil medføre motorfejl. Hvis de følgende eksempler opstår, er det højtydende filter ikke sat korrekt i. Sæt dem korrekt i igen for at løse problemet.

Eksempler på problemer

Det højtydende filters sikkerhedskant er ikke ordentligt låst fast i rillen på støvsugerkabinettet.

- **Fig.29:** 1. Sikkerhedskant 2. Rille på støvsugerkabinnet

ANVENDELSE

⚠FORSIGTIG: For at tilslutte tilbehørsdele som for eksempel mundstykket skal man dreje og isætte tilbehørsdelen i pilens retning for at sikre, at den sidder fast under brugen. For at frigøre tilbehørsdele skal man ligeledes dreje delen og trække den ud i pilens retning. Hvis en tilbehørsdel drejes i den modsatte retning, når den tilsluttes eller frigøres, kan kapslen gå løs.

- **Fig.30:** 1. Kapsel

Rengøring (sugning)

Mundstykke

Sæt mundstykket på for at rengøre borde, skriveborde, møbler og lignende. Mundstykket glider let på.

- **Fig.31:** 1. Mundstykke

Mundstykke + Forlængerstav (lige rør)

Forlængerstaven sættes ind mellem mundstykket og selve støvsugeren. Dette arrangement er praktisk ved rengøring af et gulv i stående stilling.

- **Fig.32:** 1. Støvsugerkabinnet 2. Forlængerstav
3. Mundstykke

Hjørnemundstykke

Monter hjørnemundstykket til rengøring af hjørner og kroge i en bil eller møbler.

- **Fig.33:** 1. Hjørnemundstykke 2. Støvsugerkabinnet

Hjørnemundstykke + forlængerstav (lige rør)

Anvend dette arrangement på trange steder, hvor selve støvsugeren ikke kan komme ind, eller på højtliggende steder, hvor det er svært at nå op.

- **Fig.34:** 1. Hjørnemundstykke 2. Forlængerstav
3. Støvsugerkabinnet

Rengøring uden mundstykke

Det er muligt at opsamle pulver og støv uden et mundstykke.

- **Fig.35**

VEDLIGEHOLDELSE

⚠FORSIGTIG: Vær altid sikker på, at værktøjet er slukket, og at akkuen er taget ud, inden De begynder at udføre inspektion eller vedligeholdelse.

Efter brugen

BEMÆRKNING: Hvis støvsugeren stilles op mod en væg uden nogen anden støtte, vil støvsugeren falde ned og blive beskadiget.

- **Fig.36**

Rengøring

BEMÆRKNING: Anvend aldrig benzin, rensebenzin, fortynder, alkohol og lignende. Det kan medføre misfarvning, deformation eller revner.

BEMÆRKNING: Undlad at blæse støv, der sidder fast på støvsugeren og filtrene, ved hjælp af en luftblæser. Det blæser støv ind i kabinettet og forårsager fejl.

BEMÆRKNING: Når du har vasket filtrene, skal du tørre dem grundigt før brug. Utilstrækkeligt tørrede filtre kan medføre dårlig sugning og for korte motorens levetid.

BEMÆRKNING: Efter rengøring af filtrene og svampefilteret skal du huske at montere dem inden brug. Hvis du bruger støvsugeren uden filtrene og svampefilteret, kommer der støv ind i motorkabinettet, hvilket medfører fejlfunktion.

Støvsugerkabinnet

Aftør fra tid til anden ydersiden (støvsugerkabinettet) af støvsugeren med en klud, som er fugtet med sæbevand. Rengør også sugeåbningen og monteringsområdet for filteret.

- **Fig.37**

Filter

Vask filtret med sæbevand, hvis det er tilstoppet af støv og støvsugerens kraft er svag. Tør det grundigt inden ibrugtagning.

- **Fig.38**

Svampefilter

Rengør svampefilteret på følgende måde, når det bliver snævset.

1. Fjern filteret.
2. Træk svampefilteret ud fra mellem stiverne.
3. Rengør svampefilteret ved at banke på det eller vaske det. Hvis du vasker det, skal du tørre det grundigt før brug.
4. Indsæt svampefilteret mellem stiverne, og placer det i den oprindelige position. Sørg for, at hver nederste kant af stiverne holder svampefilteret nede, og at der ikke er mellemrum mellem svampefilteret og sugeåbningen.

- **Fig.39:** 1. Svampefilter 2. Nederste kant af stiver

Rengøring af mundstykket

Når børsten på mundstykket bliver snavset, skal du fjerne støvet med tape.

► Fig.40: 1. Børste

Fejlfinding

Tjek følgende punkter, før du beder om reparation.

Symptom	Del, der skal undersøges	Reparationsmetode
Svag sugekraft	Er kapslen fuld af støv?	Tøm kapslen for støv.
	Er filteret tilstoppet?	Rengør eller vask filteret.
	Er akkuen afladet?	Oplad akkuen.
Fungerer ikke	Er akkuen afladet?	Oplad akkuen.

⚠FORSIGTIG: Forsøg ikke selv at reparere støvsugeren.

For at opretholde produktets SIKKERHED og PÅLIDELIGHED må reparation, vedligeholdelse eller justering kun udføres af et autoriseret Makita servicecenter eller fabrikksservicecenter med anvendelse af Makita reservedele.

EKSTRAUDSTYR

⚠FORSIGTIG: Det følgende tilbehør og ekstraudstyr er anbefalet til brug med Deres Makita maskine, der er beskrevet i denne brugsanvisning. Anvendelse af andet tilbehør eller ekstraudstyr kan udgøre en risiko for personskade. Anvend kun tilbehør og ekstraudstyr til det beskrevne formål.

Hvis De behøver hjælp ved valg af tilbehør eller ønsker yderligere informationer, bedes De kontakte Deres lokale Makita servicecenter.

- Forlængerstav (lige rør)
- Mundstykke
- Tæppemundstykke
- Børste til hylder
- Hjørnemundstykke
- Rund børste
- Fleksibel slange
- Filter
- Forfilter
- Højtydende filter
- Original Makita-akku og oplader

BEMÆRK: Nogle ting på denne liste kan være inkluderet i værktøjspakken som standardtilbehør. Det kan være forskellige fra land til land.

ΠΡΟΕΙΔΟΠΟΙΗΣΗ

Η συσκευή αυτή μπορεί να χρησιμοποιηθεί από παιδιά άνω των 8 ετών και άτομα με μειωμένες σωματικές, αισθητήριες ή διανοητικές ικανότητες ή που δεν έχουν πείρα και γνώσεις, αν επιτηρούνται ή τους έχουν δοθεί οδηγίες για την ασφαλή χρήση της συσκευής και κατανοούν τους κίνδυνους που εμπλέκονται. Τα παιδιά δεν πρέπει να παίζουν με τη συσκευή. Οι εργασίες καθαρισμού και συντήρησης από τον χρήστη δεν θα πρέπει να γίνονται από παιδιά χωρίς επιτήρηση.

ΠΡΟΔΙΑΓΡΑΦΕΣ

Μοντέλο:	CL106FD	
Χωρητικότητα	600 mL	
Συνεχόμενη χρήση (με μπαταρία BL1016)	Περίπου 16 λεπτά	
Συνολικό μήκος	958 mm	
Ονομαστική τάση	D.C. 10,8 V - 12 V max	
Κασέτα μπαταρίας	BL 1015 / BL 1016 / BL 1020B / BL 1021B	BL 1040B / BL 1041B
Καθαρό βάρος	1,0 kg	1,1 kg

- Λόγω του συνεχιζόμενου προγράμματος έρευνας και ανάπτυξης, οι προδιαγραφές αυτές υπόκεινται σε αλλαγές χωρίς προειδοποίηση.
- Οι προδιαγραφές και η κασέτα μπαταριών μπορεί να διαφέρουν ανάλογα με τη χώρα.
- Βάρος, με κασέτα μπαταριών, σύμφωνα με τη διαδικασία EPTA 01/2003

Σύμβολα

Παρακάτω παρουσιάζονται τα σύμβολα που χρησιμοποιούνται για τον εξοπλισμό. Βεβαιωθείτε ότι κατανοείτε τη σημασία τους πριν από τη χρήση.



Διαβάστε το εγχειρίδιο οδηγιών.



Μόνο για τις χώρες της ΕΕ
Μην απορρίπτετε ηλεκτρικό εξοπλισμό ή την μπαταρία μαζί με τα οικιακά απορρίμματα! Σύμφωνα με τις Ευρωπαϊκές Οδηγίες για τον απόβλητο ηλεκτρικό και ηλεκτρονικό εξοπλισμό και τις μπαταρίες και συσσωρευτές και τις απόβλητες μπαταρίες και συσσωρευτές και την ενσωμάτωση τους σύμφωνα με την εθνική νομοθεσία, ο ηλεκτρικός εξοπλισμός και η μπαταρία και τα πακέτα μπαταριών που έχουν φτάσει το τέλος ζωής τους πρέπει να συλλέγονται ξεχωριστά και να επιστρέφονται σε εγκαταστάσεις περιβαλλοντικά συμβατής ανακύκλωσης.

Προοριζόμενη χρήση

Το εργαλείο προορίζεται για τη συλλογή ξηρής σκόνης.

ΠΡΟΕΙΔΟΠΟΙΗΣΕΙΣ ΑΣΦΑΛΕΙΑΣ

Προειδοποιήσεις ασφάλειας για τη φορητή σκούπα

⚠️ ΠΡΟΕΙΔΟΠΟΙΗΣΗ: ΣΗΜΑΝΤΙΚΟ! ΔΙΑΒΑΣΤΕ ΠΡΟΣΕΚΤΙΚΑ όλες τις προειδοποιήσεις για την ασφάλεια και όλες τις οδηγίες ΠΡΙΝ ΑΠΟ ΤΗ ΧΡΗΣΗ. Η μη τήρηση των προειδοποιήσεων και οδηγιών μπορεί να καταλήξει σε ηλεκτροπληξία, πυρκαγιά ή/και σοβαρό τραυματισμό.

1. **Να μην εκτίθεται σε βροχή. Να φυλάσσεται σε εσωτερικό χώρο.**
2. **Δεν επιτρέπεται η χρήση της ως παιχνίδι. Απαιτείται ιδιαίτερη προσοχή κατά τη χρήση από ή κοντά σε παιδιά.**

3. Να χρησιμοποιείται μόνο σύμφωνα με τις οδηγίες του παρόντος εγχειριδίου. Να χρησιμοποιούνται μόνο τα εξαρτήματα που συνιστά ο κατασκευαστής.
4. Να μη χρησιμοποιείται με μπαταρία που έχει υποστεί βλάβη. Αν η συσκευή δεν λειτουργεί όπως θα έπρεπε, έχει υποστεί πτώση ή βλάβη, έχει αφαιρεθεί σε εξωτερικό χώρο ή έχει πέσει μέσα σε νερό, να επιστραφεί σε κέντρο σέρβις.
5. Μην χειρίζεστε τη συσκευή με βρεγμένα χέρια.
6. Μην τοποθετείτε κανένα αντικείμενο μέσα στα ανοίγματα. Να μην χρησιμοποιείται αν παρουσιαστεί φράξιμο κάποιου ανοίγματος, να διατηρείται χωρίς ίχνη σκόνης, χνούδια, τρίχες και οτιδήποτε μπορεί να προκαλέσει μείωση της ροής αέρα.
7. Διατηρείτε τα μαλλιά, τα φαρδαί ρούχα και όλα τα μέρη του σώματός σας μακριά από τα ανοίγματα και κινούμενα μέρη.
8. Να απενεργοποιείτε όλα τα στοιχεία ελέγχου πριν από την αφαίρεση της μπαταρίας.
9. Να προσέχετε ιδιαίτερα, όταν καθαρίζετε σκαλοπάτια.
10. Να μην χρησιμοποιείται για τη συλλογή εύφλεκτων ή καύσιμων υγρών, όπως βενζίνη, ή σε χώρους παρουσία αυτών.
11. Για επαναφόρτιση, να χρησιμοποιείται μόνο ο φορτιστής που παρέχεται από τον κατασκευαστή.
12. Να μην χρησιμοποιείται για τη συλλογή οποιουδήποτε αντικειμένου καίγεται ή αναδίδει καπνό, όπως τσιγάρα, σπίρτα ή θερμές στάχτες.
13. Να μην χρησιμοποιείται χωρίς τη σκούπα σκόνης ή/και τα φίλτρα.
14. Μην φορτίζετε τη μπαταρία σε εξωτερικό χώρο.
15. Να επαναφορτίζετε μόνο με το φορτιστή που καθορίζεται από τον κατασκευαστή. Ένας φορτιστής που είναι κατάλληλος για μια συγκεκριμένη κασέτα μπαταριών μπορεί να δημιουργήσει κίνδυνο πυρκαγιάς όταν χρησιμοποιείται με μια άλλη κασέτα μπαταριών.
16. Να χρησιμοποιείτε ηλεκτρικά εργαλεία μόνο με ειδικά καθορισμένες κασέτες μπαταριών. Η χρήση κάθε άλλης κασέτας μπαταριών μπορεί να δημιουργήσει κίνδυνο τραυματισμού ή πυρκαγιάς.
17. Όταν δεν χρησιμοποιείται η κασέτα μπαταριών, διατηρήστε τη μακριά από άλλα μεταλλικά αντικείμενα, όπως συνδετήρες, κέρματα, κλειδιά, καρφιά, βίδες ή άλλα μικρά μεταλλικά αντικείμενα, με τα οποία μπορεί να δημιουργηθεί σύνδεση από τον έναν ακροδέκτη στον άλλον.
18. Υπό συνθήκες κατάχρησης, μπορεί να εξαχθεί υγρό από την μπαταρία. Να αποφεύγετε την επαφή. Αν συμβεί επαφή κατά λάθος, εκπλύνετε με νερό.

ΦΥΛΑΞΤΕ ΤΙΣ ΟΔΗΓΙΕΣ ΑΥΤΕΣ.

ΕΠΙΠΡΟΣΘΕΤΟΙ ΚΑΝΟΝΕΣ ΑΣΦΑΛΕΙΑΣ

Η συσκευή αυτή προορίζεται για οικιακή χρήση.

1. Διαβάστε προσεκτικά το παρόν εγχειρίδιο χρήσης όπως και το εγχειρίδιο χρήσης του φορτιστή πριν από τη χρήση.
2. Μην συλλέξετε τα ακόλουθα υλικά:
 - Καυτά υλικά όπως αναμμένα τσιγάρα ή μεταλλικά σκόνη/ρίνιμα που παράγονται από λέιζερ/κοπή μετάλλων
 - Εύφλεκτα υλικά όπως βενζίνη, διαλυτικό, πετρελαϊκό αιθέρα, κηροζίνη ή χρώματα
 - Εκρηκτικά υλικά όπως νιτρογλυκερίνη
 - Αναφλέξιμα υλικά όπως αλουμίνιο, ψευδάργυρο, μαγνήσιο, τιτάνιο, φώσφορο ή κυτταρινοειδές φιλμ
 - Υγρές ακαθαρσίες, νερό, έλαιο ή παρόμοιες ουσίες
 - Αιχμηρά τεμάχια σκληρών υλικών, όπως ροκανίδια, μέταλλα, πέτρες, γυαλιά, καρφιά, πινέζες ή ζυραφάκια
 - Σκόνη η οποία σβωλιάζει όπως το τσιμέντο ή το τόνερ
 - Αγώγιμη σκόνη όπως μετάλλου ή άνθρακα
 - Μικρά σωματίδια όπως σκόνη σκυροδέματος
 Αυτή η ενέργεια μπορεί να προκαλέσει πυρκαγιά, τραυματισμό ή/και ζημία σε περιουσιακά στοιχεία.
3. Διακόψτε τη λειτουργία αμέσως, μόλις παρατήρησετε οτιδήποτε μη φυσιολογικό.
4. Σε περίπτωση που η σκούπα υποστεί πτώση ή κτύπημα, ελέγξτε τη προσεκτικά για ρωγμές ή βλάβη πριν από τη λειτουργία.
5. Μην πλησιάζετε σε θερμάστρες ή άλλες πηγές θερμότητας.
6. Μη φράσετε την οπή εισαγωγής ή τις οπές αερισμού.

ΦΥΛΑΞΤΕ ΤΙΣ ΟΔΗΓΙΕΣ ΑΥΤΕΣ.

Σημαντικές οδηγίες ασφάλειας για κασέτα μπαταριών

1. Πριν χρησιμοποιήσετε την κασέτα μπαταριών, διαβάστε όλες τις οδηγίες και σημειώσεις προφύλαξης (1) στον φορτιστή μπαταριών, (2) στην μπαταρία και (3) στο προϊόν που χρησιμοποιεί την μπαταρία.
2. Μην αποσυρμολογήσετε την κασέτα μπαταριών.
3. Εάν ο χρόνος λειτουργίας έχει γίνει υπερβολικά βραχύς, σταματήστε τη λειτουργία αμέσως. Αλλιώς, μπορεί να έχει ως αποτέλεσμα κίνδυνο υπερθέρμανσης, πιθανά εγκαύματα ή ακόμη και έκρηξη.
4. Εάν ηλεκτρολύτης μπει στα μάτια σας, ξεπλύνετε τα με καθαρό νερό και ζητήστε ιατρική φροντίδα αμέσως. Αλλιώς, μπορεί να έχει ως αποτέλεσμα απώλεια της όρασης σας.
5. Μη βραχυκυκλώνετε την κασέτα μπαταριών:
 - (1) Μην αγγίζετε τους πόλους με οτιδήποτε αγώγιμο υλικό.
 - (2) Αποφεύγετε να αποθηκεύετε την κασέτα μπαταριών μέσα σε ένα δοχείο μαζί με άλλα μεταλλικά αντικείμενα όπως καρφιά, νομίσματα, κλπ.

(3) Μην εκθέτετε την κασέτα μπαταριών στο νερό ή στη βροχή.

Ένα βραχυκύκλωμα μπαταρίας μπορεί να προκαλέσει μεγάλη ροή ρεύματος, υπερθέρμανση, πιθανά εγκαύματα ακόμη και σοβαρή βλάβη.

- Μην αποθηκεύετε το εργαλείο και την κασέτα μπαταριών σε τοποθεσίες όπου η θερμοκρασία μπορεί να φτάσει ή να ξεπεράσει τους 50°C.
- Μην καίτε την κασέτα μπαταριών ακόμη και εάν έχει σοβαρή ζημιά ή είναι εντελώς φθαρμένη. Η κασέτα μπαταριών μπορεί να εκραγεί στη φωτιά.
- Προσέχετε να μη ρίξετε κάτω ούτε να χτυπήσετε την μπαταρία.
- Μη χρησιμοποιείτε μπαταρία που έχει υποστεί ζημιά.
- Οι μπαταρίες ιόντων λιθίου που περιέχονται υπόκεινται στις απαιτήσεις της νομοθεσίας για επικίνδυνα αγαθά.
Για εμπορικές μεταφορές, για παράδειγμα από τρίτα μέρη, πρέπει να τηρούνται οι διαμεταφορές, οι ειδικές απαιτήσεις στη συσκευασία και η επισήμανση.
Για προετοιμασία του στοιχείου που αποστέλλεται, είναι απαραίτητο να συμβουλευτείτε έναν ειδικό για επικίνδυνα υλικά. Επίσης, τηρήστε τους πιθανούς, πιο αναλυτικούς εθνικούς κανονισμούς. Καλύψτε με αυτοκόλλητη ταινία ή κρύψτε τις ανοικτές επαφές και συσκευάστε την μπαταρία με τρόπο που να μην μπορεί να μετακινείται μέσα στη συσκευασία.
- Τηρήστε τους τοπικούς κανονισμούς που σχετίζονται με τη διάθεση της μπαταρίας.
- Χρησιμοποιήστε τις μπαταρίες μόνο με τα προϊόντα που καθορίζει η Makita. Αν τοποθετήσετε τις μπαταρίες σε μη συμβατά προϊόντα μπορεί να έχει ως αποτέλεσμα πυρκαγιά, υπερβολική θερμότητα, έκρηξη ή διαρροή ηλεκτρολύτη.

ΦΥΛΑΞΤΕ ΤΙΣ ΟΔΗΓΙΕΣ ΑΥΤΕΣ.

▲ΠΡΟΣΟΧΗ: Να χρησιμοποιείτε μόνο γνήσιες μπαταρίες της Makita. Η χρήση μη γνήσιων μπαταριών Makita, ή μπαταριών που έχουν τροποποιηθεί, μπορεί να έχει ως αποτέλεσμα τη ρήξη της μπαταρίας, προκαλώντας πυρκαγιά, προσωπικό τραυματισμό και βλάβη. Επίσης, θα ακυρωθεί η εγγύηση της Makita για το εργαλείο και φορτιστή Makita.

Συμβουλές για τη διατήρηση της μέγιστης ζωής μπαταρίας

- Φορτίζετε την κασέτα μπαταριών πριν από την πλήρη αποφόρτιση ή της. Πάντοτε να σταματάτε τη λειτουργία του εργαλείου και να φορτίζετε την κασέτα μπαταριών όταν παρατηρήτε μειωμένη ισχύ εργαλείου.
- Ποτέ μην επαναφορτίζετε μια πλήρως φορτισμένη κασέτα μπαταριών. Η υπερφόρτιση μειώνει την ωφέλιμη ζωή της μπαταρίας.
- Να φορτίζετε την κασέτα μπαταριών σε θερμοκρασία δωματίου, δηλαδή στους 10°C έως 40°C. Αφήστε μια θερμή κασέτα μπαταριών να κρυώσει πριν την φορτίσετε.

ΠΕΡΙΓΡΑΦΗ ΛΕΙΤΟΥΡΓΙΑΣ

▲ΠΡΟΣΟΧΗ: Να φροντίζετε πάντα για την απενεργοποίηση του εργαλείου και την αφαίρεση της κασέτας μπαταρίας, πριν από οποιαδήποτε ρύθμιση ή έλεγχο της λειτουργίας του.

▲ΠΡΟΣΟΧΗ: Φροντίστε ώστε να μην παγιδεύσετε δάκτυλο(α) στο χώρο μεταξύ σκούπας και μπαταρίας, όπως απεικονίζεται στην εικόνα, κατά τη φόρτωση της μπαταρίας. Η παγίδευση δακτύλων μπορεί να προκαλέσει τραυματισμό.

► Εικ.1

Τοποθέτηση ή αφαίρεση της κασέτας μπαταριών

▲ΠΡΟΣΟΧΗ: Να σβήνετε πάντα το εργαλείο πριν τοποθετήσετε ή αφαιρέσετε την κασέτα μπαταριών.

▲ΠΡΟΣΟΧΗ: Κρατήστε το εργαλείο και την κασέτα μπαταριών σταθερά κατά την τοποθέτηση ή αφαίρεση της κασέτας μπαταριών. Εάν δεν κρατάτε το εργαλείο και την κασέτα μπαταριών σταθερά μπορεί να γλιστρήσουν από τα χέρια σας και να προκληθεί βλάβη στο εργαλείο και την κασέτα μπαταριών και προσωπικός τραυματισμός.

► Εικ.2: 1. Κόκκινη ένδειξη 2. Κουμπί 3. Κασέτα μπαταριών

Για να αφαιρέσετε την κασέτα μπαταριών, ολισθήστε την από το εργαλείο ενώ σύρετε το κουμπί στο μπροστινό μέρος της κασέτας.

Για να τοποθετήσετε την κασέτα μπαταριών, ευθυγραμμίστε τη γλώσσα στην κασέτα μπαταριών με την αλκαλα στην υποδοχή και ολισθήστε τη στη θέση της. Να την τοποθετείτε πλήρως μέχρι να ασφαλίσει στη θέση της, γεγονός που υποδεικνύεται με ένα χαρακτηριστικό ήχο. Εάν μπορείτε να δείτε την κόκκινη ένδειξη στην επάνω πλευρά του κουμπιού, δεν έχει κλειδώσει τελείως.

▲ΠΡΟΣΟΧΗ: Να τοποθετείτε πάντα την κασέτα μπαταριών πλήρως μέχρι να μη βλέπετε την κόκκινη ένδειξη. Εάν δεν ασφαλίσει, μπορεί να πέσει από το εργαλείο τυχαία, προκαλώντας σωματική βλάβη σε εσάς ή κάποιον άλλο γύρω σας.

▲ΠΡΟΣΟΧΗ: Μην τοποθετείτε την κασέτα μπαταριών με βία. Εάν η κασέτα δεν ολισθαίνει με ευκολία, τότε δεν έχει τοποθετηθεί κατάλληλα.

Σύστημα προστασίας μπαταρίας

Το εργαλείο είναι εξοπλισμένο με σύστημα προστασίας της μπαταρίας. Αυτό το σύστημα αποκτάει αυτόματα την ισχύ προς το μοτέρ για να παραταθεί η διάρκεια ζωής της μπαταρίας.

Το εργαλείο σταματάει αυτόματα κατά τη διάρκεια της λειτουργίας εάν το εργαλείο ή/και η μπαταρία βρεθούν κάτω από την ακόλουθη συνθήκη:

Χαμηλή τάση μπαταρίας:









Η υπόλοιπη χωρητικότητα μπαταρίας είναι πολύ χαμηλή και το εργαλείο δεν λειτουργεί. Αν ενεργοποιήσετε το εργαλείο, το μοτέρ θα τειθεί ξανά σε λειτουργία αλλά θα σταματήσει σύντομα. Σε αυτή την περίπτωση, αφαιρέστε και επαναφορτίστε την μπαταρία.

Εμφάνιση υπολειπόμενης χωρητικότητας μπαταρίας

Μόνο για κασέτες μπαταρίας με την ενδεικτική λυχνία

► **Εικ.3:** 1. Ενδεικτικές λυχνίες 2. Κουμπί ελέγχου

Πίστετε το κουμπί ελέγχου στην κασέτα μπαταριών για να υποδείξετε την υπολειπόμενη χωρητικότητα μπαταρίας. Οι ενδεικτικές λυχνίες ανάβουν για λίγα δευτερόλεπτα.

Ενδεικτικές λυχνίες		Υπόλοιπη χωρητικότητα
Αναμμένες	Σβηστές	
		75% έως 100%
		50% έως 75%
		25% έως 50%
		0% έως 25%

ΠΑΡΑΤΗΡΗΣΗ: Ανάλογα με τις συνθήκες χρήσης και τη θερμοκρασία περιβάλλοντος, η ένδειξη μπορεί να διαφέρει λίγο από την πραγματική χωρητικότητα.

Δράση διακόπτη

ΠΡΟΣΟΧΗ: Πριν βάλετε την κασέτα μπαταρίας μέσα στο εργαλείο, να ελέγχετε πάντα να δείτε αν η σκανδάλη διακόπτης ενεργοποιείται κανονικά και επιστρέφει στη θέση «OFF» όταν ελευθερώνεται.

Για να ξεκινήσετε το εργαλείο, απλώς τραβήξτε τη σκανδάλη διακόπτη. Ελευθερώστε τη σκανδάλη διακόπτη για να σταματήσει.

► **Εικ.4:** 1. Σκανδάλη διακόπτης

Αναμμα της λάμπας

ΠΡΟΣΟΧΗ: Μην κοιτάζετε κατευθείαν μέσα στο φως ή στην πηγή φωτός.

Για να ανάψετε τη λάμπα, τραβήξτε τη σκανδάλη διακόπτη. Κατά την ενεργοποίηση του εργαλείου, η λάμπα ανάβει.

Αφήστε το διακόπτη για να σβήσετε τη λάμπα.

► **Εικ.5:** 1. Λάμπα 2. Σκανδάλη διακόπτης

ΣΥΝΑΡΜΟΛΟΓΗΣΗ

ΠΡΟΣΟΧΗ: Να βεβαιώνετε πάντα ότι το εργαλείο είναι σβηστό και η κασέτα μπαταρίας έχει αφαιρεθεί πριν εκτελέσετε κάποια εργασία στο εργαλείο.

Τύπος φίλτρου

Κανονικό φίλτρο

► **Εικ.6:** 1. Κάψουλα 2. Προφίλτρο 3. Φίλτρο

Φίλτρο υψηλής απόδοσης

► **Εικ.7:** 1. Κάψουλα 2. Φίλτρο υψηλής απόδοσης

Απόρριψη σκόνης

ΠΡΟΣΟΧΗ: Να αδειάζετε τη σκούπα πριν γεμίσει πλήρως, αλλιώς θα εξασθενήσει η δύναμη αναρρόφησης.

ΠΡΟΣΟΧΗ: Να φροντίζετε να αδειάζετε τη σκόνη από το εσωτερικό της ίδιας της σκούπας. Σε περίπτωση μη συμμόρφωσης μπορεί να προκληθεί φράξιμο του φίλτρου ή βλάβη του κινητήρα.

Απόρριψη της σκόνης για το κανονικό φίλτρο

Για να αφαιρέσετε τη σκόνη η οποία επικάθεται στο φίλτρο μέσα στην κάψουλα, κτυπήστε ελαφρά την κάψουλα 4 ή 5 φορές με το χέρι σας.

► **Εικ.8:** 1. Κάψουλα 2. Είσοδος αναρρόφησης

Στρέψτε την είσοδο αναρρόφησης προς τα κάτω, περιστρέψτε την κάψουλα προς την κατεύθυνση του βέλους, όπως απεικονίζεται στην εικόνα, και αποσπάστε την κάψουλα ωθώντας αργά και ευθεία προς τα έξω.

► **Εικ.9:** 1. Κάψουλα 2. Είσοδος αναρρόφησης

ΠΑΡΑΤΗΡΗΣΗ: Φροντίστε να τοποθετήσετε μια σακούλα σκουπιδιών κάτω από την κάψουλα, επειδή μπορεί να χυθεί σκόνη όταν ανοίξετε την κάψουλα.

Αφαιρέστε τη συσσωρευμένη σκόνη από το εσωτερικό της κάψουλας και το προφίλτρο.

► **Εικ.10:** 1. Προφίλτρο 2. Κάψουλα

Περιστρέψτε το προφίλτρο προς την κατεύθυνση του βέλους ώστε να απασφαλίσετε το χείλος ασφάλισης από τη μονάδα της σκούπας και στη συνέχεια αποσπάστε το προφίλτρο.

► **Εικ.11:** 1. Προφίλτρο 2. Χείλος ασφάλισης

Καθαρίστε την πιλή σκόνη από το προφίλτρο. Στη συνέχεια, αφαιρέστε το φίλτρο και κτυπήστε το ελαφρά, ώστε να αποκολληθεί η σκόνη.

► **Εικ.12:** 1. Φίλτρο 2. Προφίλτρο

Απόρριψη της σκόνης για το φίλτρο υψηλής απόδοσης

Για να αφαιρέσετε τη σκόνη η οποία επικάθεται στο φίλτρο μέσα στην κάψουλα, κτυπήστε ελαφρά την κάψουλα 4 ή 5 φορές με το χέρι σας.

Τώρα στρέψτε την είσοδο αναρρόφησης προς τα κάτω, περιστρέψτε την κάψουλα προς την κατεύθυνση του βέλους που απεικονίζεται στην εικόνα, και αποσπάστε την κάψουλα αργά και ευθεία.

► **Εικ.13:** 1. Κάψουλα 2. Είσοδος αναρρόφησης

ΠΑΡΑΤΗΡΗΣΗ: Όταν ανοίξει η κάψουλα μπορεί να χυθεί σκόνη, για το λόγο αυτό φροντίστε να τοποθετήσετε μια σακούλα απορριμμάτων κάτω από την κάψουλα.

Αφαιρέστε τη συσσωρευμένη σκόνη από το εσωτερικό της κάψουλας και από το φίλτρο υψηλής απόδοσης.

► **Εικ.14:** 1. Κάψουλα 2. Φίλτρο υψηλής απόδοσης

Περιστρέψτε το φίλτρο υψηλής απόδοσης προς την κατεύθυνση του βέλους ώστε να απασφαλιστεί το χείλος ασφάλισης από τη μονάδα της σκούπας και στη συνέχεια αποσπάστε το φίλτρο.

► **Εικ.15:** 1. Χείλος ασφάλισης

Καθαρίστε την ψιλή σκόνη και κτυπήστε ελαφρά για να αποκολληθεί η σκόνη από το φίλτρο υψηλής απόδοσης.

Επανασυναρμολόγηση

Επανασυναρμολόγηση για το κανονικό φίλτρο

Τοποθετήστε το φίλτρο πλήρως στη θέση του επάνω στη μονάδα της σκούπας.

► **Εικ.16:** 1. Φίλτρο

ΕΙΔΟΠΟΙΗΣΗ: Φροντίστε ώστε το φίλτρο να τοποθετηθεί κατάλληλα χωρίς να διπλωθεί προς τα πίσω. Αν το φίλτρο τοποθετηθεί εσφαλμένα, όπως απεικονίζεται στην εικόνα, η σκόνη θα εισέλθει στο εσωτερικό του περιβλήματος του κινητήρα και θα προκαλέσει βλάβη του κινητήρα.

► **Εικ.17:** 1. Φίλτρο

Τοποθετήστε το προφίλτρο. Σε αυτή τη φάση, φροντίστε να περιστρέψετε το προφίλτρο, ώστε το χείλος ασφάλισης να ασφαλιστεί πλήρως στη μονάδα της σκούπας.

► **Εικ.18:** 1. Προφίλτρο 2. Χείλος ασφάλισης

► **Εικ.19**

Τοποθετήστε την κάψουλα. Ευθυγραμμίστε το σήμα της κάψουλας με το σήμα κοντά στη λαβή και στη συνέχεια περιστρέψτε την κάψουλα σταθερά προς την κατεύθυνση του βέλους, έως ότου ασφαλιστεί.

► **Εικ.20:** 1. Κάψουλα 2. Λαβή 3. Σήμα

ΠΑΡΑΤΗΡΗΣΗ: Να αφαιρείτε πάντα τη σκόνη εγκαίρως, επειδή η ισχύς αναρρόφησης μειώνεται σημαντικά, αν υπάρχει υπερβολική ποσότητα σκόνης στο εσωτερικό της σκούπας.

ΕΙΔΟΠΟΙΗΣΗ: Να ελέγχετε πάντα, αν το φίλτρο και το προφίλτρο έχουν τοποθετηθεί κατάλληλα πριν από τη χρήση της σκούπας. Αν δεν έχουν τοποθετηθεί κατάλληλα, η σκόνη θα εισέλθει στο εσωτερικό του περιβλήματος του κινητήρα και θα προκαλέσει βλάβη του κινητήρα. Σε περίπτωση που συμβούν τα παρακάτω παραδείγματα, το φίλτρο και το προφίλτρο δεν έχουν τοποθετηθεί κατάλληλα. Τοποθετήστε τα κατάλληλα εκ νέου για να διορθώσετε το πρόβλημα.

Παραδείγματα προβλημάτων

Παράδειγμα 1: Μόνο το προφίλτρο έχει τοποθετηθεί (χωρίς φίλτρο)

► **Εικ.21:** 1. Προφίλτρο

Παράδειγμα 2: Μόνο το φίλτρο έχει τοποθετηθεί (χωρίς προφίλτρο)

► **Εικ.22:** 1. Φίλτρο

Παράδειγμα 3: Το φίλτρο τοποθετήθηκε εσφαλμένα και έχει διπλωθεί προς τα πίσω

► **Εικ.23:** 1. Φίλτρο

Παράδειγμα 4: Το χείλος ασφάλισης του προφίλτρου δεν έχει ασφαλιστεί κατάλληλα στην αύλακα περιβλήματος σκούπας

► **Εικ.24:** 1. Χείλος ασφάλισης 2. Προφίλτρο
3. Αύλακα περιβλήματος σκούπας

Επανασυναρμολόγηση για το φίλτρο υψηλής απόδοσης

Συνδέστε το φίλτρο υψηλής απόδοσης. Σε αυτή τη φάση, φροντίστε να περιστρέψετε το φίλτρο υψηλής απόδοσης, ώστε το χείλος ασφάλισης να ασφαλιστεί σταθερά μέσα στη μονάδα της σκούπας.

► **Εικ.25:** 1. Φίλτρο υψηλής απόδοσης 2. Χείλος ασφάλισης

► **Εικ.26:** 1. Χείλος ασφάλισης

Συνδέστε την κάψουλα. Ευθυγραμμίστε το σύμβολο O στην κάψουλα με το σύμβολο O στη λαβή και στη συνέχεια περιστρέψτε σταθερά την κάψουλα προς την κατεύθυνση του βέλους, έως ότου ασφαλιστεί.

► **Εικ.27:** 1. Ένδειξη O

► **Εικ.28:** 1. Λαβή 2. Κάψουλα

ΠΑΡΑΤΗΡΗΣΗ: Να αφαιρείτε πάντα τη σκόνη εγκαίρως, επειδή η ισχύς αναρρόφησης μειώνεται σημαντικά, αν υπάρχει υπερβολική ποσότητα σκόνης στο εσωτερικό της σκούπας.

ΠΑΡΑΤΗΡΗΣΗ: Να ελέγχετε πάντα αν το φίλτρο υψηλής απόδοσης έχει τοποθετηθεί σωστά πριν από τη χρήση της σκούπας. Αν δεν έχουν τοποθετηθεί κατάλληλα, θα εισέλθει σκόνη μέσα στο περίβλημα του μοτέρ και θα προκαλέσει βλάβη του μοτέρ. Σε περίπτωση που συμβούν τα παρακάτω παραδείγματα, το φίλτρο υψηλής απόδοσης δεν έχει τοποθετηθεί σωστά. Τοποθετήστε τα κατάλληλα εκ νέου για να διορθώσετε το πρόβλημα.

Παραδείγματα προβλημάτων

Το χείλος ασφάλισης του φίλτρου υψηλής απόδοσης δεν έχει ασφαλιστεί σταθερά μέσα στην αύλακα του περιβλήματος σκούπας.

► **Εικ.29:** 1. Χείλος ασφάλισης 2. Αύλακα περιβλήματος σκούπας

ΛΕΙΤΟΥΡΓΙΑ

▲ ΠΡΟΣΟΧΗ: Για να συνδέσετε διάφορα εξαρτήματα, όπως ένα ακροφύσιο, περιστρέψτε και εισάγετε το εξάρτημα προς την κατεύθυνση του βέλους, ώστε να διασφαλιστεί η ασφαλής σύνδεση στη διάρκεια της χρήσης. Για να αποσυνδέσετε τα εξαρτήματα, περιστρέψτε και αποσπάστε ξανά προς την κατεύθυνση του βέλους. Αν περιστρέψετε το εξάρτημα προς την αντίθετη κατεύθυνση, κατά τη σύνδεση ή αποσύνδεση, η κάψουλα μπορεί να αποσπαστεί.

► **Εικ.30:** 1. Κάψουλα

Καθαρισμός (Αναρρόφηση)

Ακροφύσιο

Προσαρμόστε το ακροφύσιο για να καθαρίσετε τραπέζια, γραφεία, έπιπλα, κ.λπ. Το ακροφύσιο τοποθετείται εύκολα σύροντάς το.

► **Εικ.31:** 1. Ακροφύσιο

Ακροφύσιο + Ράβδος προέκτασης (Ευθύς σωλήνας)

Η ράβδος προέκτασης τοποθετείται μεταξύ ακροφυσίου και σκούπας. Ο συνδυασμός αυτός διευκολύνει στον καθαρισμό ενός δαπέδου, ενώ ο χειριστής παραμένει σε όρθια θέση.

► **Εικ.32:** 1. Σώμα σκούπας 2. Ράβδος προέκτασης 3. Ακροφύσιο

Ακροφύσιο γωνιών

Τοποθετήστε το ακροφύσιο γωνιών για να καθαρίσετε γωνίες και χαραμάδες σε ένα αυτοκίνητο ή έπιπλα.

► **Εικ.33:** 1. Ακροφύσιο γωνιών 2. Σώμα σκούπας

Ακροφύσιο γωνιών + Ράβδος προέκτασης (Ευθύς σωλήνας)

Χρησιμοποιήστε αυτόν το συνδυασμό σε περιορισμένους χώρους, όπου η σκούπα δεν χωρά, ή σε υψηλά σημεία όπου η πρόσβαση είναι δύσκολη.

► **Εικ.34:** 1. Ακροφύσιο γωνιών 2. Ράβδος προέκτασης 3. Σώμα σκούπας

Καθαρισμός χωρίς ακροφύσιο

Μπορείτε να συλλέξετε σκόνη χωρίς το ακροφύσιο.

► **Εικ.35**

ΣΥΝΤΗΡΗΣΗ

▲ ΠΡΟΣΟΧΗ: Πριν την εκτέλεση εργασιών επιθεώρησης ή συντήρησης, πάντοτε να βεβαιώνεστε ότι η συσκευή απενεργοποιήθηκε και η κασέτα μπαταριών έχει αφαιρεθεί.

Μετά από τη χρήση

ΕΙΔΟΠΟΙΗΣΗ: Αν ακουμπήσετε τη σκούπα στον τοίχο χωρίς καμία στήριξη μπορεί να πέσει και να υποστεί ζημιά.

► **Εικ.36**

Καθαρισμός

ΕΙΔΟΠΟΙΗΣΗ: Μην χρησιμοποιείτε ποτέ βενζίνη, πετρελαϊκό αιθέρα, διαλυτικό, αλκοόλη ή παρόμοιες ουσίες. Μπορεί να προκληθεί αποχρωματισμός, παραμόρφωση ή ρωγμές.

ΕΙΔΟΠΟΙΗΣΗ: Μη φυσάτε τη σκόνη που έχει κολλήσει στη σκούπα και στα φίλτρα με σπρίε απομάκρυνσης σκόνης. Θα εισέλθει αέρας στο περιβλήμα και θα προκληθεί βλάβη.

ΕΙΔΟΠΟΙΗΣΗ: Μετά το πλύσιμο των φίλτρων, στεγνώστε τα καλά πριν τα χρησιμοποιήσετε. Ένα φίλτρο που δεν έχει στεγνώσει επαρκώς μπορεί να προκαλέσει κακή αναρρόφηση και μείωση της διάρκειας ζωής του μοτέρ.

ΕΙΔΟΠΟΙΗΣΗ: Αφού καθαρίσετε τα φίλτρα και το σπογγώδες φίλτρο, επανατοποθετήστε τα οπωσδήποτε πριν τη χρήση. Αν χρησιμοποιήσετε τη σκούπα χωρίς τα φίλτρα και το σπογγώδες φίλτρο, θα εισέλθει σκόνη στο περιβλήμα του μοτέρ και θα προκληθεί δυσλειτουργία.

Σώμα σκούπας

Περιστασιακά, καθαρίστε το εξωτερικό (σώμα σκούπας) της σκούπας χρησιμοποιώντας ένα πανί που έχετε υγράνει με σαπουνόνερο.

Καθαρίστε, επίσης, το άνοιγμα αναρρόφησης και το χώρο τοποθέτησης των φίλτρων.

► **Εικ.37**

Φίλτρο

Πλύντε το φίλτρο σε σαπουνόνερο, όταν παρατηρηθεί φράξιμο λόγω σκόνης και μείωση της απορροφητικής ισχύος της σκούπας. Στεγνώστε πλήρως πριν από τη χρήση.

► **Εικ.38**

Σπογγώδες φίλτρο

Όταν το σπογγώδες φίλτρο γεμίσει με σκόνη, καθαρίστε το ως εξής.

1. Αφαιρέστε το φίλτρο.
2. Βγάλτε το σπογγώδες φίλτρο περνώντας το μέσα από τα κολονάκια.
3. Καθαρίστε το σπογγώδες φίλτρο χτυπώντας το απαλά ή πλένοντάς το. Αν το πλύνετε, στεγνώστε το καλά πριν από τη χρήση.
4. Περάστε το σπογγώδες φίλτρο μέσα από κολονάκια και τοποθετήστε το στην αρχική θέση. Βεβαιωθείτε ότι τα κάτω άκρα σε όλα τα κολονάκια συγκρατούν το σπογγώδες φίλτρο, καθώς και ότι δεν υπάρχει κενό ανάμεσα στο σπογγώδες φίλτρο και το άνοιγμα αναρρόφησης.

► **Εικ.39:** 1. Σπογγώδες φίλτρο 2. Κάτω άκρο στο κολονάκι

Καθαρισμός ακροφυσίου

Όταν η βούρτσα ακροφυσίου γεμίσει σκόνη, καθαρίστε τη σκόνη με αυτοκόλλητη ταινία.

► **Εικ.40: 1.** Βούρτσα

Επίλυση προβλημάτων

Πριν ζητήσετε για επισκευές, ελέγξτε τα ακόλουθα σημεία.

Σύμπτωμα	Περιοχή διερεύνησης	Μέθοδος επιδιόρθωσης
Ασθενής ισχύς αναρρόφησης	Είναι η κάψουλα γεμάτη σκόνη;	Αδειάστε τη σκόνη από την κάψουλα.
	Είναι το φίλτρο φραγμένο;	Καθαρίστε ή πλύνετε το φίλτρο.
	Είναι η κασέτα μπαταρίας εξαντλημένη;	Φορτίστε την κασέτα μπαταρίας.
Δεν λειτουργεί	Είναι η κασέτα μπαταρίας εξαντλημένη;	Φορτίστε την κασέτα μπαταρίας.

⚠ ΠΡΟΣΟΧΗ: Μην επιχειρήσετε να επισκευάσετε τη σκούπα μόνοι σας.

Για τη διατήρηση της ΑΣΦΑΛΕΙΑΣ και ΑΞΙΟΠΙΣΤΙΑΣ του προϊόντος, οι επισκευές και οποιαδήποτε άλλη εργασία συντήρησης ή ρύθμισης πρέπει να εκτελούνται από εξουσιοδοτημένα ή εργοστασιακά κέντρα εξυπηρέτησης της Makita, χρησιμοποιώντας πάντοτε ανταλλακτικά της Makita.

ΠΡΟΑΙΡΕΤΙΚΑ ΕΞΑΡΤΗΜΑΤΑ

⚠ ΠΡΟΣΟΧΗ: Αυτά τα εξαρτήματα ή προσαρτήματα συνιστώνται για χρήση με το εργαλείο Makita που περιγράφηκε στις οδηγίες αυτές. Η χρήση οποιωνδήποτε άλλων εξαρτημάτων ή προσαρτημάτων μπορεί να προκαλέσει κίνδυνο τραυματισμού σε άτομα. Να χρησιμοποιείτε τα εξαρτήματα ή προσαρτήματα μόνο για την χρήση που προορίζονται.

Εάν χρειάζεστε οποιαδήποτε βοήθεια για περισσότερες πληροφορίες σε σχέση με αυτά τα εξαρτήματα, απαντήστε στο τοπικό σας κέντρο εξυπηρέτησης Makita.

- Ράβδος προέκτασης (Ευθύς σωλήνας)
- Ακροφύσιο
- Ακροφύσιο για μοκέτα
- Βούρτσα ραφιών
- Ακροφύσιο γωνιών
- Στρογγυλή βούρτσα
- Εύκαμπτος σωλήνας
- Φίλτρο
- Προφίλτρο
- Φίλτρο υψηλής απόδοσης
- Γνήσια μπαταρία και φορτιστής της Makita

ΠΑΡΑΤΗΡΗΣΗ: Μερικά στοιχεία στη λίστα μπορεί να συμπεριλαμβάνονται στη συσκευασία εργαλείου ως στάνταρ εξαρτήματα. Μπορεί να διαφέρουν ανάλογα με τη χώρα.

UYARI

Bu aletin 8 yaş ve üzeri çocuklar ile fiziksel, duyuşsal ya da zihinsel yetenekleri kısıtlı olan veya deneyim ya da bilgileri olmayan kişiler tarafından kullanılması, ancak gözetim altında olmaları veya kendilerine aletin güvenli bir şekilde kullanılmasına yönelik talimatlar verilmesi ve bu aletin kullanımına ilişkin tehlikeleri anlamaları halinde mümkündür. Çocuklar aletle oynamamalıdır. Temizlik ve kullanıcı bakımları gözetimsiz olarak çocuklar tarafından yapılmamalıdır.

TEKNİK ÖZELLİKLER

Model:	CL106FD	
Kapasite	600 mL	
Sürekli kullanım (BL1016 batarya ile)	Yakl. 16 dak	
Toplam uzunluk	958 mm	
Anma voltajı	D.C. 10,8 V - 12 V maks	
Batarya kartuşu	BL 1015 / BL 1016 / BL 1020B / BL 1021B	BL 1040B / BL 1041B
Net ağırlık	1,0 kg	1,1 kg

- Sürekli yapılan araştırma ve geliştirmelerden dolayı, burada belirtilen özellikler önceden bildirilmeksizin değiştirilebilir.
- Özellikler ve batarya kartuşu ülkeden ülkeye değişebilir.
- EPTA-Prosedürü 01/2003 uyarınca batarya kartuşu ile birlikte ağırlık

Semboller

Aşağıdakiler makineniz için kullanılan sembollerini göstermektedir. Kullanmadan önce manalarını anladığınızdan emin olunuz.



El kitabını okuyun.



Ni-MH
Li-Ion

Sadece AB ülkeleri için
Elektrik donanımını ve batarya kutusunu evsel atıklarla birlikte bertaraf etmeyiniz!
Atık Elektrikli ve Elektronik Donanımlar, bataryalar ve Akümülatörler ve Atık bataryalar ve Akümülatörler konusundaki Avrupa Direktifleri ve bunların ulusal yasalara uygulanmaları uyarınca, kullanım ömürleri biten elektrikli donanımların, bataryaların ve batarya takım(lar)ının ayrı toplanmaları ve çevreye uyumlu bir geri kazanım tesisine getirilmeleri gereklidir.

Kullanım amacı

Bu alet kuru tozları toplamak amacıyla kullanılır.

GÜVENLİK UYARILARI

Akülü süpürge güvenlik uyarıları

⚠ UYARI: ÖNEMLİ KULLANMADAN ÖNCE tüm güvenlik uyarılarını ve tüm talimatları DİKKATLE OKUYUN. Uyarılara ve talimatlara uyulmaması elektrik şoku, yangın ve/veya ciddi yaralanmalar ile sonuçlanabilir.

1. Yağmura maruz bırakmayın. Kapalı yerde saklayın.
2. Bir oyuncak gibi kullanılmasına izin vermeyin. Çocuklar tarafından veya onların yakınında kullanılırken yakın ilgi gerekir.
3. Sadece bu kılavuzda belirtilen şekilde kullanın. Sadece imalatçının tavsiye ettiği ek parçaları kullanın.
4. Bozuk batarya ile kullanmayın. Bu aygıt eğer çalışması gerektiği gibi çalışmıyorsa, yere düşürülmüşse, hasar görmüşse, açık havada bırakılmışsa veya suya düşürülmüşse, onu bir servis merkezine iade edin.
5. Cihazı ıslak elle tutmayın.
6. Deliklerin üstüne herhangi bir nesne koymayın. Delikleri tıkalıyken kullanmayın; deliklerden tozları, tiftikleri, kılırları ve hava akışını engelleyebilecek her şeyi temizleyin.
7. Saçlarınızı, bol giysilerinizi ve vücudunuzun tüm kısımlarını deliklerden ve hareketli parçalardan uzak tutun.

8. Bataryayı çıkarmadan önce tüm kontrolleri kapatın.
9. Merdivenlerde temizlik yaparken daha dikkatli olun.
10. Benzin gibi çabuk tutuşan veya yanıcı sıvıları toplamak için veya onların bulunabileceği yerlerde bu aleti kullanmayın.
11. Pili şarj etmek için sadece imalatçının verdiği şarj aletini kullanın.
12. Sigaralar, kibritler veya sıcak küller gibi yanmakta veya duman çıkarmakta olan herhangi bir şeyi toplamayın.
13. Toz torbası ve/veya filtreler takılı olmadan kullanmayın.
14. Bataryayı açık alanda şarj etmeyin.
15. Sadece üretici tarafından belirtilen şarj aleti ile şarj edin. Bir batarya kutusu için uygun olan şarj cihazı başka bir batarya kutusu ile kullanıldığında yangın riski oluşturabilir.
16. Elektrikli aletleri sadece özel olarak belirtilen batarya kutuları ile kullanın. Başka batarya kutularının kullanımı yaralanma ve yangın riski oluşturabilir.
17. Batarya kutusu kullanılmadığında; iki terminal arasında bağlantı kurulmasına sebep olabilecek ataç, bozuk para, anahtar, çivi, vida gibi metal nesnelere ya da küçük metal objelerden uzak tutun.
18. Kötü koşullarda bataryadan sıvı sızabilir; bu sıvıya temas etmeyin. Kaza sonucu temas ederseniz suyla durulayın.

BU TALİMATLARI SAKLAYIN.

EK GÜVENLİK KURALLARI

Bu aygıt ev kullanımı içindir.

1. Kullanmadan önce bu kullanma kılavuzunu ve şarj aletinin kullanma kılavuzunu dikkatle okuyun.
2. Aşağıdaki maddeleri süpürgeye çekmeyin:
 - Yanan sigaralar gibi kızgın maddeler veya metal kesme/taşlama sonucunda çıkan kıvılcıklar/metal tozları
 - Petrol, tiner, benzin, gazyağı veya boya gibi kolay tutuşan maddeler
 - Nitrogliserin gibi patlayıcı maddeler
 - Alüminyum, çinko, magnezyum, titanyum, fosfor veya selüloit gibi yanabilen maddeler
 - Islak kirler, su, yağ veya benzerleri
 - Ahşap yongalar, metaller, taşlar, camlar, çiviler, iğneler veya jiletler gibi keskin kenarlı sert cisimler
 - Çimento veya toner gibi topaklaşacak tozlar
 - Metal veya karbon gibi iletken tozlar
 - Beton tozu gibi ince parçacıklar
3. Bunları süpürgeye çekmeniz yangına, bedensel ve/veya maddi hasara neden olabilir.
4. Anormal bir durum fark ederseniz çalışmayı hemen durdurun.
5. Süpürgeyi düşürür veya çarparsanız, kullanmadan önce çatlak veya hasar kontrolü yapın.
6. Ocaklara ve başka ısı kaynaklarına yaklaştırmayın.
7. Giriş deliğini veya havalandırma deliklerini tıkamayın.

BU TALİMATLARI SAKLAYIN.

Batarya kartuşu hakkında önemli güvenlik talimatları

1. Batarya kartuşunu kullanmadan önce, tüm talimatları ve (1) batarya kartuşu, (2) batarya ve (3) ürün üzerindeki tüm uyarı işaretlerini okuyun.
2. Batarya kartuşunu demonte etmeyin.
3. Çalışma süresi aşırı derecede kısalırsa kullanmayı derhal bırakın. Aşırı ısınma, yanma riski hatta patlamaya neden olabilir.
4. Gözünüze elektrolit kaçarsa, gözlerinizi temiz suyla durulayın ve hemen tıbbi yardım alın. Görme kaybına yol açabilir.
5. Batarya kartuşuna kısa devre yaptırmayın:
 - (1) Terminallere herhangi bir iletken madde değdirmeyin.
 - (2) Batarya kartuşunu çiviler, madeni paralar, vb. gibi başka metal nesnelere aynı kaba koymaktan kaçının.
 - (3) Batarya kartuşunu yağmura ya da suya maruz bırakmayın.

Kısa devre, büyük bir akım akışına, aşırı ısınmaya, olası yangınlara hatta bataryanın bozulmasına yol açabilir.

6. Aleti ve batarya kartuşunu sıcaklığın 50°C ya da daha yükseğe ulaştığı yerlerde saklamayın.
7. Aşırı derecede hasar görmüş ya da tamamen kullanılamaz durumda olsa bile batarya kartuşunu yakmayın. Batarya kartuşu ateşe atılırsa patlayabilir.
8. Bataryayı düşürmemeye ve çarpmamaya dikkat edin.
9. Hasarlı bataryayı kullanmayın.
10. Aletin içerdiği lityum-iyon bataryalar Tehlikeli Eşyalar Yönetmeliğinin gereksinimlerine tabidir.

Ticari nakliye işlemleri için, örneğin üçüncü taraflar, nakliye acenteleri tarafından yapılan nakliyelerde, paketlenme ve etiketleme gereksinimlerine uyulmalıdır.

Nakliyesi yapılacak ürünün hazırlanması için, tehlikeli maddeler konusunda uzman bir kişiye danışın. Lütfen muhtemelen daha ayrıntılı olan ulusal yönetmeliklere de uyun.

Açık kontakları bantlayın ya da maskeleyin ve bataryayı paketin içinde hareket ettirmeyecek şekilde paketleyin.

11. Bataryanın elden çıkarılması ile ilgili yerel düzenlemelere uyunuz.
12. Bataryaları sadece Makita tarafından belirtilen ürünlerle kullanın. Bataryaların uyumsuz ürünlere takılması; yangın, aşırı ısınma, patlama ya da elektrolit sızıntısına neden olabilir.

BU TALİMATLARI MUHAFAZA EDİNİZ.

⚠DİKKAT: Sadece orijinal Makita bataryalarını kullanın. Orijinal olmayan Makita bataryaları ya da üzerine değişiklik yapılmış bataryaların kullanımı bataryanın patlamasına ve sonuç olarak yangın, kişisel yaralanma ve hasara neden olabilir. Ayrıca Makita aleti ve şarj aletinin Makita tarafından sunulan garantisi de geçersiz olur.

Maksimum batarya ömrü için ipuçları

1. Batarya kartuşunu tamamen boşalmadan önce şarj edin. Aletin gücünün zayıflamaya başladığını fark ettiğinizde aleti durdurun ve batarya kartuşunu şarj edin.
2. Tam dolu bir batarya kartuşunu asla yeniden şarj etmeyin. Aşırı şarj etme bataryanın hizmet ömrünü kısaltır.
3. Batarya kartuşunu 10°C - 40°C oda sıcaklığında şarj edin. Sıcak bir batarya kartuşunu şarj etmeden önce soğumasını bekleyin.

İŞLEVSEL NİTELİKLER

⚠️ DİKKAT: Alet üzerinde ayarlama veya işleyiş kontrolü yapmadan önce aletin kapalı ve batarya kartuşunun ayrılmış olduğundan daima emin olun.

⚠️ DİKKAT: Bataryayı takarken parmak(lar)ınızı şekilde gösterildiği gibi süpürge ve batarya arasına kısırmamaya dikkat edin. Parmak(lar)ın kısırılması yaralanmaya neden olabilir.

► Şek.1

Batarya kartuşunun takılması ve çıkarılması

⚠️ DİKKAT: Batarya kartuşunu takmadan ya da çıkarmadan önce aleti daima kapatın.

⚠️ DİKKAT: Batarya kartuşunu takarken veya çıkarırken aleti ve batarya kartuşunu sıkıca tutun. Aletin ve batarya kartuşunun sıkıca tutulmaması bunların düşürülmesine sebep olabilir ve alet ve batarya kartuşunun zarar görmesine ya da ciddi yaralanmasına yol açabilir.

► Şek.2: 1. Kırmızı gösterge 2. Düğme 3. Batarya kartuşu

Batarya kartuşunu çıkarmak için, kartuşun ön tarafındaki düğmeyi kaydırarak kartuşu aletten çıkarın.

Batarya kartuşunu takmak için, batarya kartuşu üzerindeki dili yuvanın çentiği ile hizalayın ve yerine oturtun. Hafif bir tık sesi duyulana kadar itip yerine tam oturtmasını sağlayın. Düğmenin üst tarafındaki kırmızı gösterge görünüyorsa tam yerine kilitlenmemiş demektir.

⚠️ DİKKAT: Batarya kartuşunu daima kırmızı gösterge görünmeyecek şekilde tam olarak takın. Yerine tam oturmazsa, aletten yanlışlıkla düşebilir, sizin ya da çevrenizdeki kişilerin yaralanmasına neden olabilir.

⚠️ DİKKAT: Batarya kartuşunu zorlayarak takmayın. Kartuş kolay bir şekilde kaymıyorsa doğru yerleştirilmemiş demektir.

Batarya koruma sistemi

Bu alet bir batarya koruma sistemi ile donatılmıştır. Bu sistem motora giden gücü otomatik olarak keserek uzun batarya ömrü sağlar.

Alet ve/veya batarya için aşağıdaki durum söz konusu olduğunda aletin işleyişi otomatik olarak durur:

Düşük batarya voltajı:

Kalan batarya kapasitesi çok düşüktür ve alet çalışmaz. Aleti çalıştırırsanız, motor tekrar çalışır fakat kısa zaman sonra durur. Bu durum söz konusuysa, bataryayı çıkarıp şarj edin.

Kalan batarya kapasitesinin gösterilmesi

Sadece göstergeli batarya kartuşları için

► Şek.3: 1. Gösterge lambaları 2. Kontrol düğmesi

Kalan batarya kapasitesini göstermesi için batarya kartuşu üzerindeki kontrol düğmesine basın. Gösterge lambaları birkaç saniye yanar.

Gösterge lambaları		Kalan kapasite
Yanıyor	Kapalı	
		%75 ila %100
		%50 ila %75
		%25 ila %50
		%0 ila %25

NOT: Kullanım koşullarına ve ortam sıcaklığına bağlı olarak, gösterilen değer gerçek kapasiteden biraz farklılık gösterebilir.

Anahtar işlemleri

⚠️ DİKKAT: Batarya kartuşunu alete takmadan önce anahtar tetiğinin doğru çalıştığından ve bırakıldığında "OFF" (kapalı) konumuna döndüğünden emin olun.

Aleti çalıştırmak için anahtar tetiği çekin. Durdurmak için anahtar tetiği bırakın.

► Şek.4: 1. Anahtar tetik

Lambaların yakılması

⚠️ DİKKAT: Işığa bakmayın ya da ışık kaynağını doğrudan görmeyin.

Lambayı yakmak için, anahtar tetiği çekin. Alet çalışırken, lamba yanar.

Lambayı kapatmak için anahtarı serbest bırakın.

► Şek.5: 1. Lamba 2. Anahtar tetik

MONTAJ

⚠ DİKKAT: Alet üzerinde herhangi bir iş yapmadan önce aletin kapalı ve batarya kartuşunun ayrılmış olduğundan daima emin olun.

Filtre türü

Normal filtre

► **Şek.6:** 1. Kapsül 2. Ön filtre 3. Filtre

Yüksek performanslı filtre

► **Şek.7:** 1. Kapsül 2. Yüksek performanslı filtre

Tozun boşaltılması

⚠ DİKKAT: Aşırı dolmadan veya emme kuvveti zayıflamadan önce süpürgeyi boşaltın.

⚠ DİKKAT: Süpürge'nin kendi içindeki tozları da boşaltmayı unutmayın. Bunun yapılmaması filtrenin tıkanmasına veya motorun hasar görmesine neden olabilir.

Normal filtre için tozun boşaltılması

Kapsüldeki filtre üstüne yapışmış tozları silkelemek için, kapsüle elinizle 4 veya 5 kez vurun.

► **Şek.8:** 1. Kapsül 2. Emme ağız

Emme ağını aşağı doğru yönlendirin, kapsülü şekilde gösterildiği gibi ok yönünde döndürün ve kapsülü yavaşça ve düz şekilde ayırın.

► **Şek.9:** 1. Kapsül 2. Emme ağız

NOT: Kapsül açıldığında tozlar dökülebileceği için kapsülün altına bir çöp torbası yerleştirdiğinizden emin olun.

Kapsülün içinde ve ön filtrede birikmiş tozları temizleyin.

► **Şek.10:** 1. Ön filtre 2. Kapsül

Emniyet dudağını süpürge ünitesinden gevşetmek için ön filtreyi ok yönünde çevirin ve sonra ön filtreyi çekip çıkarın.

► **Şek.11:** 1. Ön filtre 2. Emniyet dudağı

Ön filtreden ince tozları temizleyin. Ardından, filtreyi çıkarın ve tozları silkelemek için hafifçe vurun.

► **Şek.12:** 1. Filtre 2. Ön filtre

Yüksek performanslı filtre için tozun boşaltılması

Kapsüldeki filtre üstüne yapışmış tozları silkelemek için, kapsüle elinizle 4 veya 5 kez vurun.

Şimdi emme ağını aşağı doğru yönlendirin, kapsülü şekildeki ok yönünde döndürün ve kapsülü yavaşça ve düz şekilde ayırın.

► **Şek.13:** 1. Kapsül 2. Emme ağız

NOT: Kapsül açıldığında toz dökülebilir, bu nedenle kapsülün altına mutlaka bir çöp torbası yerleştirin.

Kapsülün içinde ve yüksek performanslı filtrede birikmiş tozları temizleyin.

► **Şek.14:** 1. Kapsül 2. Yüksek performanslı filtre

Emniyet dudağını süpürge ünitesinden gevşetmek için yüksek performanslı filtreyi ok yönünde çevirin ve sonra filtreyi çekip çıkarın.

► **Şek.15:** 1. Emniyet dudağı

İnce tozu temizleyin ve tozu yüksek performanslı filtreden atmak için hafifçe vurun.

Tekrar montaj

Normal filtre için tekrar montaj

Filtreyi, süpürge ünitesi üstüne tam yerleşecek şekilde takın.

► **Şek.16:** 1. Filtre

ÖNEMLİ NOT: Filtrenin geri soyulmadan düz şekilde takıldığından emin olun. Filtre şekilde gösterildiği gibi yanlış takılırsa motor bölgesine toz girerek, motor arızasına neden olur.

► **Şek.17:** 1. Filtre

Ön filtreyi takın. Bu sırada, emniyet dudağının süpürge ünitesi içine sıkıca kilitleneceği şekilde ön filtreyi çevirmeyi unutmayın.

► **Şek.18:** 1. Ön filtre 2. Emniyet dudağı

► **Şek.19**

Kapsülü takın. Kapsül üstündeki işareti sap üstündeki işaretle hizalayın ve sonra sabitleninceye kadar kapsülü ok yönünde çevirin.

► **Şek.20:** 1. Kapsül 2. Sap 3. İşaret

NOT: Tozları daima geç olmadan temizleyin çünkü süpürge içinde çok fazla toz olursa emme gücü azalır.

ÖNEMLİ NOT: Süpürgeyi kullanmadan önce filtrenin ve ön filtrenin doğru şekilde takıldığını daima kontrol edin. Eğer doğru takılmazlarsa motor bölmesine toz girerek, motor arızasına neden olur. Aşağıdaki örnek durumlar ortaya çıkarsa filtre ve ön filtre doğru takılmamıştır. Problemi düzeltmek için bunları doğru şekilde yeniden takın.

Problem Örnekleri

Örnek 1: Sadece ön filtre takılmış (filtre yok)

► **Şek.21:** 1. Ön filtre

Örnek 2: Sadece filtre takılmış (ön filtre yok)

► **Şek.22:** 1. Filtre

Örnek 3: Filtre geri soyulmuş bir şekilde takılmış

► **Şek.23:** 1. Filtre

Örnek 4: Ön filtrenin üzerindeki emniyet dudağı süpürge gövdesindeki oyuk içinde sıkıca kilitlenmemiş

► **Şek.24:** 1. Emniyet dudağı 2. Ön filtre 3. Süpürge gövdesindeki oyuk

Yüksek performanslı filtre için tekrar montaj

Yüksek performanslı filtreyi bağlayın. Bu sırada, emniyet dudağı süpürge ünitesi içine sıkıca kilitle-necek şekilde yüksek performanslı filtreyi çevirmeyi unutmayın.

► **Şek.25:** 1. Yüksek performanslı filtre 2. Emniyet dudağı

► **Şek.26:** 1. Emniyet dudağı

Kapsülü bağlayın. Kapsül üstündeki O işaretini sap üstündeki O işaretile hizalayın ve sonra sabitleninceye kadar kapsülü ok yönünde çevirin.

► **Şek.27:** 1. O işareti

► **Şek.28:** 1. Sap 2. Kapsül

NOT: Tozları daima geç olmadan temizleyin çünkü süpürge içinde çok fazla toz olursa emme gücü azalır.

NOT: Süpürgeyi kullanmadan önce yüksek performanslı filtrenin doğru şekilde takıldığını daima kontrol edin. Eğer doğru takılmazlarsa motor bölmesine toz girerek, motor arızasına neden olur.

Aşağıdaki örnek durumlar ortaya çıkarsa yüksek performanslı filtre doğru takılmamıştır. Problemi düzeltmek için bunları doğru şekilde yeniden takın.

Problem Örnekleri

Yüksek performanslı filtrenin emniyet dudağı süpürge gövdesindeki oyuğa sıkıca kilitlememiş.

► **Şek.29:** 1. Emniyet dudağı 2. Süpürge gövdesindeki oyuk

KULLANIM

⚠DİKKAT: Emme başlığı gibi ek parçalar takmak için, ek parçayı ok yönünde çevirip takarak, kullanım sırasında bağlantısının güvenli olmasını sağlayın. Ek parçayı ayırmak için, yine ok yönünde çevirip, dışarı çekin. Takılırken veya ayırırken, ek parça ters yönde çevrilirse kapsül gevşeyebilir.

► **Şek.30:** 1. Kapsül

Temizlik (Emme)

Emme başlığı

Masaları, tezgahları, mobilyaları, vb. temizlemek için emme başlığını takın. Emme başlığı kolayca takılır.

► **Şek.31:** 1. Emme başlığı

Emme başlığı + Uzatma çubuğu (Düz boru)

Uzatma çubuğu emme başlığı ile süpürge arasına takılır. Bu tertibat, zemini ayakta durarak temizleme kolaylığı sağlar.

► **Şek.32:** 1. Süpürge gövdesi 2. Uzatma çubuğu 3. Emme başlığı

Köşe emme başlığı

Köşeleri ve bir otomobilin veya mobilyaların kuytu yerlerini temizlemek için köşe emme başlığını takın.

► **Şek.33:** 1. Köşe emme başlığı 2. Süpürge gövdesi

Köşe emme başlığı + Uzatma çubuğu (Düz boru)

Süpürgenin kendisinin içine giremediği sıkı yarıklarda veya ulaşılması zor yüksek yerlerde bu tertibatı kullanın.

► **Şek.34:** 1. Köşe emme başlığı 2. Uzatma çubuğu 3. Süpürge gövdesi

Emme başlığı olmadan temizleme

Tozları emme başlığı olmadan toplayabilirsiniz.

► **Şek.35**

BAKIM

⚠DİKKAT: Muayene ya da bakım yapmadan önce aletin kapalı ve batarya kartuşunun çıkartılmış olduğundan daima emin olun.

Kullanım sonrası

ÖNEMLİ NOT: Süpürgeyi hiçbir destek olmadan duvara dayamak düşmesine ve hasar görmesine neden olabilir.

► **Şek.36**

Temizleme

ÖNEMLİ NOT: Benzin, tiner, alkol ve benzeri maddeleri kesinlikle kullanmayın. Renk değişimi, deformasyon veya çatlaklar oluşabilir.

ÖNEMLİ NOT: Süpürge ve filtrelelere yapışan tozu, toz alıcı sprey ile temizlemeyin. Gövdenin içine toz getirerek arızaya neden olur.

ÖNEMLİ NOT: Filtreleri yıkadıktan sonra kullanmadan önce tamamen kurutun. Yeterince kurumuş filtreler emmenin kötüleşmesine ve motorun hizmet ömrünün kısalmasına neden olabilir.

ÖNEMLİ NOT: Filtreleri ve sünger filtreyi temizledikten sonra kullanmadan önce bunları mutlaka yeniden takın. Süpürgeyi, filtreler ve sünger filtre olmadan kullanırsanız motor gövdesinin içine toz girerek arızaya neden olur.

Süpürge gövdesi

Zaman zaman sabunlu suyla ıslatılmış bir bezle süpürgenin dış kısmını (süpürge gövdesini) silin.

Emme ağzını ve filtre takma bölgesini de temizleyin.

► **Şek.37**

Filtre

Filtreyi, tozla tıkandığı ve süpürge'nin temizleme gücü zayıfladığı zaman, sabunlu suyla yıkayın. Kullanmadan önce, filtreyi tamamen kurutun.

► **Şek.38**

Sünger filtre

Sünger filtre kirlendiğinde şu şekilde temizleyin.

1. Filtreyi çıkarın.
2. Sünger filtreyi ayakların arasında çekerek çıkarın.

3. Sünger filtreyi vurarak veya yıkayarak temizleyin. Yıkarsanız kullanmadan önce tamamen kurutun.

4. Sünger filtreyi ayakların arasından takın ve orijinal konumuna getirin. Her bir ayak alt kenarının sünger filtreyi tuttuğundan ve sünger filtre ile emme ağı arasında boşluk olmadığından emin olun.

► **Şek.39:** 1. Sünger filtre 2. Ayak alt kenarı

Emme başlığının temizlenmesi

Emme başlığı fırçası tozlandığında tozu yapışkan bantla temizleyin.

► **Şek.40:** 1. Fırça

Sorun giderme

Onarım yaptırmaya çalışmadan önce aşağıdaki hususları kontrol edin.

Belirti	Muayene edilecek bölge	Giderme yöntemi
Zayıf emme gücü	Kapsül tozla dolu mu?	Kapsüldeki tozu boşaltın.
	Filtre tıkalı mı?	Filtreyi yıkayın veya temizleyin.
	Batarya kartuşunun şarjı bitmiş mi?	Batarya kartuşunu şarj edin.
Çalışmıyor	Batarya kartuşunun şarjı bitmiş mi?	Batarya kartuşunu şarj edin.

⚠ DİKKAT: Süpürgeyi kendiniz onarmaya çalışmayın.

Aleti EMNİYETLİ ve ÇALIŞMAYA HAZIR durumda tutmak için onarımlar, başka her türlü bakım ve ayarlamalar daima Makita yedek parçaları kullanılarak Makita yetkili servis merkezleri veya Fabrika'nın Servis Merkezleri tarafından yapılmalıdır.

İSTEĞE BAĞLI AKSESUARLAR

⚠ DİKKAT: Bu aksesuarlar ve ek parçalar bu el kitabında belirtilen Makita aletiniz ile kullanılmak için tavsiye edilmektedir. Herhangi başka bir aksesuar ya da ek parça kullanılması insanlar için bir yaralanma riski getirebilir. Aksesuarları ya da ek parçaları yalnızca belirtilmiş olan kullanım amaçlarına uygun olarak kullanın.

Bu aksesuarlarla ilgili daha fazla bilgiye ihtiyaç duyarsanız bulunduğunuz yerdeki yetkili Makita servisine başvurun.

- Uzatma çubuğu (Düz boru)
- Emme başlığı
- Halı ağız
- Raf fırçası
- Köşe emme başlığı
- Yuvarlak fırça
- Esnek hortum
- Filtre
- Ön filtre
- Yüksek performanslı filtre
- Orijinal Makita batarya ve şarj aleti

NOT: Listedeki parçaların bazıları alet paketi içerisinde standart aksesuar olarak dahil edilmiş olabilir. Bunlar ülkeden ülkeye farklılık gösterebilir.

Makita Europe N.V. Jan-Baptist Vinkstraat 2,
3070 Kortenberg, Belgium

Makita Corporation 3-11-8, Sumiyoshi-cho,
Anjo, Aichi 446-8502 Japan

www.makita.com

885525D990
EN, FR, DE, IT, NL,
ES, PT, DA, EL, TR
20180329