



Bimetal air duct thermometer BiTh 100 LKF

Part no. 65833211

Bimetal air duct thermometer BiTh LKB / BiTh LKF

benefits

- ranges: -30/+50, -20/+60, -20/+40, 0/60 °C
- brass stem
- with adjustable mounting flange (stainless steel)

Application

Air conditioning, ventilation

Technical Specifications

Type

D2

Nominal size

100

measuring element

Bimetal helix

accuracy class

2 (EN 13190)

ranges °C

0/60

application area

Full scale value

Degree of protection

IP 41 (EN 60529)

Connection

Stem: Brass, Ø 9 mm

LKF

Mounting flange, Plastic, Ø 60 mm

mounting position

centre back

Dial

Aluminium, white

Scaling: black

Pointer

Plastic, black

Housing

Sheet steel, galvanised

push on bezel

Sheet steel, nickel-plated

window

LKF

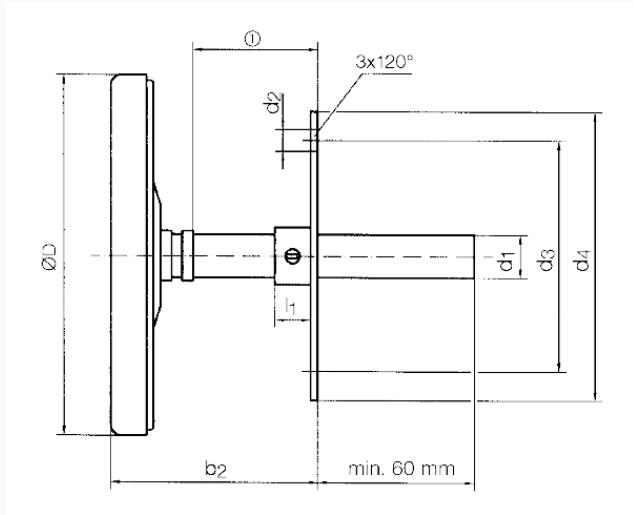
Plastic

Options

- other ranges
- other stem lengths
- Accuracy class 1
- steel flange \varnothing 40/80 mm

Technical Drawings

LKF - centre back connection



adjustable

Dimensions (mm)

| NG | D | d1 | d2 | d3 | d4 | l1 |
|-----|-----|----|----|----|----|----|
| 63 | 63 | 9 | 12 | 51 | 60 | 10 |
| 80 | 80 | 9 | 12 | 51 | 60 | 10 |
| 100 | 100 | 9 | 12 | 51 | 60 | 10 |

Versions

| Type | housing \varnothing | Stem length | Connec-tion | Range | Stem length | Type | Type | Part no. |
|-------------------------|-----------------------|-------------|-----------------|---------|-------------|-----------------|------|------------|
| BiTh 100 LKF D211 | 100 mm | 100 mm | Mounting flange | 0/60 °C | | BiTh 100 LKF | D211 | ● 65833211 |

- in-stock items
- Non-stock items