



bimetal standard thermometer BiTh 63 K

Part no. 63760

Bimetal thermometers BiTh K with brass thermowell

benefits

- ranges: -20/+60, 0/60, 0/120, 0/160 °C
- thermowell brass with optional self-sealing thread with PTFE sealing ring
- stem brass or aluminium

Application

Heating, plumbing

Technical Specifications

Nominal size

63

measuring element

Bimetal helix

accuracy class

2 (EN 13190)

ranges °C

0/60

application area

Full scale value

Operating pressure at thermowell

max. 6 bar

Options

- nominal size 63 (bottom back)

Connection

Stem: brass or aluminium, Ø 9 mm

Thermowell: G½B, Brass, Ø 12 mm, removable

Thermowell: stem length 40 mm with optional self-sealing thread with PTFE sealing ring

mounting position

centre back

Dial

Plastic, white

Scaling: black

Pointer

Plastic, black

Housing

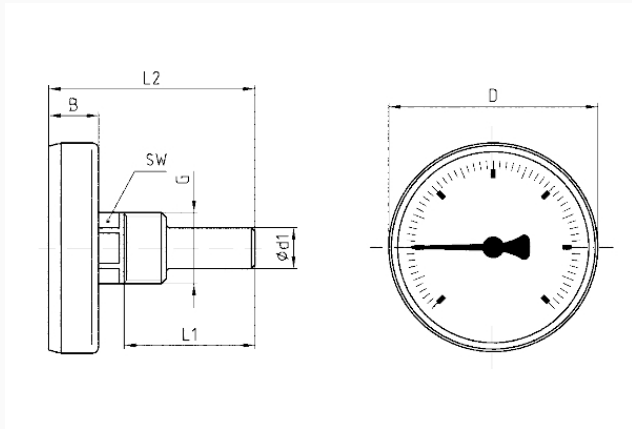
ABS, black

window

Plastic, clipped in

Technical Drawings

Centre back connection, NG 63 – 80 – 100



Dimensions (mm)

| NG | B | D | d1 | G | L1 | L2 | SW |
|-----|------|-----|----|-----|-----|-----|----|
| 63 | 14,7 | 62 | 12 | G½B | 40 | 61 | 19 |
| 63 | 14,7 | 62 | 12 | G½B | 63 | 85 | 19 |
| 63 | 14,7 | 62 | 12 | G½B | 100 | 122 | 19 |
| 63 | 14,7 | 62 | 12 | G½B | 150 | 172 | 19 |
| 80 | 14,8 | 79 | 12 | G½B | 40 | 61 | 19 |
| 80 | 14,8 | 79 | 12 | G½B | 63 | 85 | 19 |
| 80 | 14,8 | 79 | 12 | G½B | 100 | 122 | 19 |
| 80 | 14,8 | 79 | 12 | G½B | 150 | 172 | 19 |
| 100 | 15 | 100 | 12 | G½B | 40 | 61 | 19 |
| 100 | 15 | 100 | 12 | G½B | 63 | 85 | 19 |
| 100 | 15 | 100 | 12 | G½B | 100 | 122 | 19 |
| 100 | 15 | 100 | 12 | G½B | 150 | 172 | 19 |
| 100 | 15 | 100 | 12 | G½B | 200 | 222 | 19 |

Versions

| Type | housing ø | Conne- tion | mounting position | Range | Stem length | Stem length | Type | Part no. |
|-----------|-----------|-----------------|----------------------|---------|----------------|----------------|-------------|----------|
| BiTh 63 K | 63 mm | Thermo- well | centre back | 0/60 °C | 40 mm | | BiTh 63 K ● | 63760 |

- in-stock items
- Non-stock items