

## bimetal standard thermometer BiTh 63 K

**Part no. 63710**

**Bimetal thermometers BiTh K with brass thermowell**

### benefits

- ranges: -20/+60, 0/60, 0/120, 0/160 °C
- thermowell brass with optional self-sealing thread with PTFE sealing ring
- stem brass or aluminium

### Application

Heating, plumbing

### Technical Specifications

#### Nominal size

63

#### measuring element

Bimetal helix

#### accuracy class

2 (EN 13190)

#### ranges °C

0/120

#### application area

Full scale value

#### Operating pressure at thermowell

max. 6 bar

#### Connection

Stem: brass or aluminium, Ø 9 mm

Thermowell: G½B, Brass, Ø 12 mm, removable

Thermowell: stem length 40 mm with optional self-sealing thread with PTFE sealing ring

#### mounting position

centre back

#### Dial

Plastic, white

Scaling: black

#### Pointer

Plastic, black

#### Housing

ABS, black

#### window

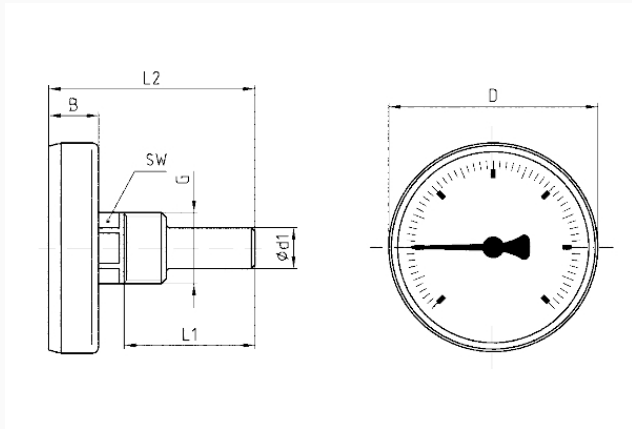
Plastic, clipped in

### Options

- nominal size 63 (bottom back)

**Technical Drawings**

**Centre back connection, NG 63 – 80 – 100**



**Dimensions (mm)**

NG	B	D	d1	G	L1	L2	SW
63	14,7	62	12	G½B	40	61	19
63	14,7	62	12	G½B	63	85	19
63	14,7	62	12	G½B	100	122	19
63	14,7	62	12	G½B	150	172	19
80	14,8	79	12	G½B	40	61	19
80	14,8	79	12	G½B	63	85	19
80	14,8	79	12	G½B	100	122	19
80	14,8	79	12	G½B	150	172	19
100	15	100	12	G½B	40	61	19
100	15	100	12	G½B	63	85	19
100	15	100	12	G½B	100	122	19
100	15	100	12	G½B	150	172	19
100	15	100	12	G½B	200	222	19

**Versions**

Type	housing ø	Conne- tion	mounting position	Range	Stem length	Stem length	Type	Part no.
BiTh 63 K	63 mm	Thermo- well	centre back	0/120 °C	63 mm		BiTh 63 K ●	63710

- in-stock items
- Non-stock items