



## bimetal standard thermometer BiTh 80 K

**Part no. 63766**

**Bimetal thermometers BiTh K with brass thermowell**

### benefits

- ranges: -20/+60, 0/60, 0/120, 0/160 °C
- thermowell brass with optional self-sealing thread with PTFE sealing ring
- stem brass or aluminium

### Application

Heating, plumbing

### Technical Specifications

**Nominal size**

80

**measuring element**

Bimetal helix

**accuracy class**

2 (EN 13190)

**ranges °C**

0/60

**application area**

Full scale value

**Operating pressure at thermowell**

max. 6 bar

### Options

- nominal size 63 (bottom back)

**Connection**

Stem: brass or aluminium, Ø 9 mm

Thermowell: G½B, Brass, Ø 12 mm, removable

**mounting position**

centre back

**Dial**

Plastic, white

Scaling: black

**Pointer**

Plastic, black

**Housing**

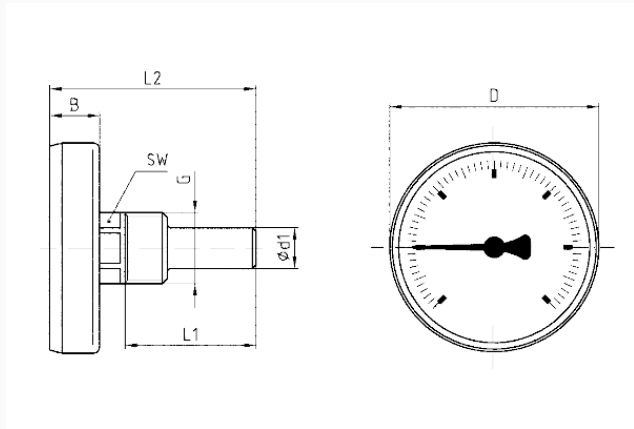
ABS, black

**window**

Plastic, clipped in

**Technical Drawings**

**Centre back connection, NG 63 – 80 – 100**



**Dimensions (mm)**

NG	B	D	d1	G	L1	L2	SW
63	14,7	62	12	G½B	40	61	19
63	14,7	62	12	G½B	63	85	19
63	14,7	62	12	G½B	100	122	19
63	14,7	62	12	G½B	150	172	19
80	14,8	79	12	G½B	40	61	19
80	14,8	79	12	G½B	63	85	19
80	14,8	79	12	G½B	100	122	19
80	14,8	79	12	G½B	150	172	19
100	15	100	12	G½B	40	61	19
100	15	100	12	G½B	63	85	19
100	15	100	12	G½B	100	122	19
100	15	100	12	G½B	150	172	19
100	15	100	12	G½B	200	222	19

**Versions**

Type	housing ø	Conne- tion	mounting position	Range	Stem length	Stem length	Type	Part no.
BiTh 80 K	80 mm	Thermo- well	centre back	0/60 °C	63 mm		BiTh 80 K ●	63766

- in-stock items
- Non-stock items