

bimetal standard thermometer BiTh 80 K

Part no. 63768

Bimetal thermometers BiTh K with brass thermowell

benefits

- ranges: -20/+60, 0/60, 0/120, 0/160 °C
- thermowell brass with optional self-sealing thread with PTFE sealing ring
- stem brass or aluminium

Application

Heating, plumbing

Technical Specifications

Nominal size

80

measuring element

Bimetal helix

accuracy class

2 (EN 13190)

ranges °C

0/60

application area

Full scale value

Operating pressure at thermowell

max. 6 bar

Options

- nominal size 63 (bottom back)

Connection

Stem: brass or aluminium, Ø 9 mm

Thermowell: G1/2B, Brass, Ø 12 mm, removable

mounting position

centre back

Dial

Plastic, white

Scaling: black

Pointer

Plastic, black

Housing

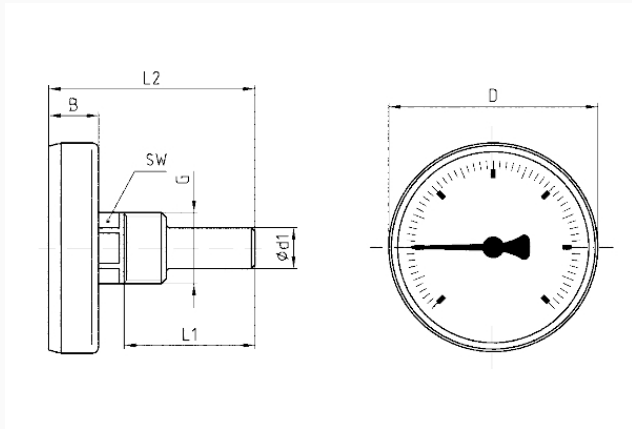
ABS, black

window

Plastic, clipped in

Technical Drawings

Centre back connection, NG 63 – 80 – 100



Dimensions (mm)

NG	B	D	d1	G	L1	L2	SW
63	14,7	62	12	G½B	40	61	19
63	14,7	62	12	G½B	63	85	19
63	14,7	62	12	G½B	100	122	19
63	14,7	62	12	G½B	150	172	19
80	14,8	79	12	G½B	40	61	19
80	14,8	79	12	G½B	63	85	19
80	14,8	79	12	G½B	100	122	19
80	14,8	79	12	G½B	150	172	19
100	15	100	12	G½B	40	61	19
100	15	100	12	G½B	63	85	19
100	15	100	12	G½B	100	122	19
100	15	100	12	G½B	150	172	19
100	15	100	12	G½B	200	222	19

Versions

Type	housing ø	Connec- tion	mounting position	Range	Stem length	Stem length	Type	Part no.
BiTh 80 K	80 mm	Thermo- well	centre back	0/60 °C	150 mm		BiTh 80 K ●	63768

- in-stock items
- Non-stock items