

## bimetal standard thermometer BiTh 80 K

**Part no. 63717**

**Bimetal thermometers BiTh K with brass thermowell**

### benefits

- ranges: -20/+60, 0/60, 0/120, 0/160 °C
- thermowell brass with optional self-sealing thread with PTFE sealing ring
- stem brass or aluminium

### Application

Heating, plumbing

### Technical Specifications

**Nominal size**

80

**measuring element**

Bimetal helix

**accuracy class**

2 (EN 13190)

**ranges °C**

0/120

**application area**

Full scale value

**Operating pressure at thermowell**

max. 6 bar

### Options

- nominal size 63 (bottom back)

**Connection**

Stem: brass or aluminium, Ø 9 mm

Thermowell: G1/2B, Brass, Ø 12 mm, removable

**mounting position**

centre back

**Dial**

Plastic, white

Scaling: black

**Pointer**

Plastic, black

**Housing**

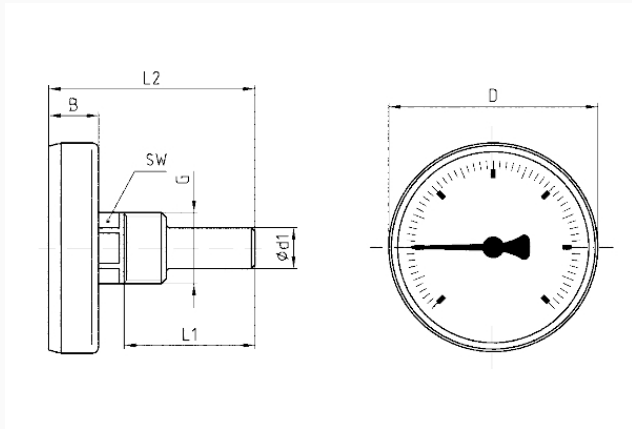
ABS, black

**window**

Plastic, clipped in

**Technical Drawings**

**Centre back connection, NG 63 – 80 – 100**



**Dimensions (mm)**

| NG  | B    | D   | d1 | G   | L1  | L2  | SW |
|-----|------|-----|----|-----|-----|-----|----|
| 63  | 14,7 | 62  | 12 | G½B | 40  | 61  | 19 |
| 63  | 14,7 | 62  | 12 | G½B | 63  | 85  | 19 |
| 63  | 14,7 | 62  | 12 | G½B | 100 | 122 | 19 |
| 63  | 14,7 | 62  | 12 | G½B | 150 | 172 | 19 |
| 80  | 14,8 | 79  | 12 | G½B | 40  | 61  | 19 |
| 80  | 14,8 | 79  | 12 | G½B | 63  | 85  | 19 |
| 80  | 14,8 | 79  | 12 | G½B | 100 | 122 | 19 |
| 80  | 14,8 | 79  | 12 | G½B | 150 | 172 | 19 |
| 100 | 15   | 100 | 12 | G½B | 40  | 61  | 19 |
| 100 | 15   | 100 | 12 | G½B | 63  | 85  | 19 |
| 100 | 15   | 100 | 12 | G½B | 100 | 122 | 19 |
| 100 | 15   | 100 | 12 | G½B | 150 | 172 | 19 |
| 100 | 15   | 100 | 12 | G½B | 200 | 222 | 19 |

**Versions**

| Type      | housing ø | Conne-<br>ction | mounting<br>position | Range    | Stem<br>length | Stem<br>length | Type        | Part no. |
|-----------|-----------|-----------------|----------------------|----------|----------------|----------------|-------------|----------|
| BiTh 80 K | 80 mm     | Thermo-<br>well | centre<br>back       | 0/120 °C | 150 mm         |                | BiTh 80 K ● | 63717    |

- in-stock items
- Non-stock items