

bimetal standard thermometer BiTh 100 K

Part no. 63695

Bimetal thermometers BiTh K with brass thermowell

benefits

- ranges: -20/+60, 0/60, 0/120, 0/160 °C
- thermowell brass with optional self-sealing thread with PTFE sealing ring
- stem brass or aluminium

Application

Heating, plumbing

Technical Specifications

Nominal size
100

measuring element
Bimetal helix

accuracy class
2 (EN 13190)

ranges °C
0/120

application area
Full scale value

Operating pressure at thermowell
max. 6 bar

Options

- nominal size 63 (bottom back)

Connection

Stem: brass or aluminium, Ø 9 mm
Thermowell: G½B, Brass, Ø 12 mm, removable

mounting position

centre back

Dial

Plastic, white
Scaling: black

Pointer

Plastic, black

Housing

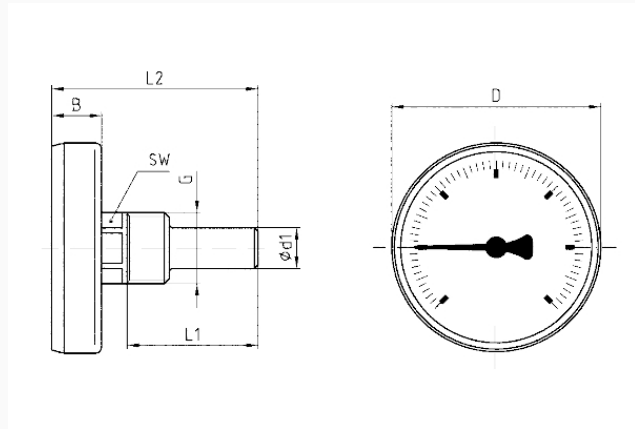
ABS, black

window

Plastic, clipped in

Technical Drawings

Centre back connection, NG 63 – 80 – 100



Dimensions (mm)

| NG | B | D | d1 | G | L1 | L2 | SW |
|-----|------|-----|----|-----|-----|-----|----|
| 63 | 14,7 | 62 | 12 | G½B | 40 | 61 | 19 |
| 63 | 14,7 | 62 | 12 | G½B | 63 | 85 | 19 |
| 63 | 14,7 | 62 | 12 | G½B | 100 | 122 | 19 |
| 63 | 14,7 | 62 | 12 | G½B | 150 | 172 | 19 |
| 80 | 14,8 | 79 | 12 | G½B | 40 | 61 | 19 |
| 80 | 14,8 | 79 | 12 | G½B | 63 | 85 | 19 |
| 80 | 14,8 | 79 | 12 | G½B | 100 | 122 | 19 |
| 80 | 14,8 | 79 | 12 | G½B | 150 | 172 | 19 |
| 100 | 15 | 100 | 12 | G½B | 40 | 61 | 19 |
| 100 | 15 | 100 | 12 | G½B | 63 | 85 | 19 |
| 100 | 15 | 100 | 12 | G½B | 100 | 122 | 19 |
| 100 | 15 | 100 | 12 | G½B | 150 | 172 | 19 |
| 100 | 15 | 100 | 12 | G½B | 200 | 222 | 19 |

Versions

| Type | housing ø | Conne- tion | mounting position | Range | Stem length | Stem length | Type | Part no. |
|---------------|-----------|-----------------|----------------------|----------|----------------|----------------|-----------------|----------|
| BiTh 100 K | 100 mm | Thermo- well | centre back | 0/120 °C | 63 mm | | BiTh 100 K ● | 63695 |

- in-stock items
- Non-stock items