

bimetal standard thermometer BiTh 80 ST

Part no. 64067

bimetal standard thermometer

benefits

- ranges:-20/+60, 0/60, 0/120, 0/160 °C
- brass thermowell
- stem brass or aluminium

Application

Heating, plumbing

Technical Specifications

Nominal size

80

measuring element

Bimetal helix

accuracy class

2 (EN 13190)

ranges °C

0/120

application area

Full scale value

Operating pressure at thermowell

max. 6 bar

Connection

Stem: brass or aluminium, Ø 9 mm

Thermowell: G½B, brass or aluminium, Ø 9 mm

mounting position

bottom

Dial

Up to 120 °C: Plastic, white

≥ 160 °C: Aluminium, white

Scaling: black

Pointer

Plastic, black

Housing

Sheet steel, galvanised

push on bezel

Sheet steel, nickel-plated

window

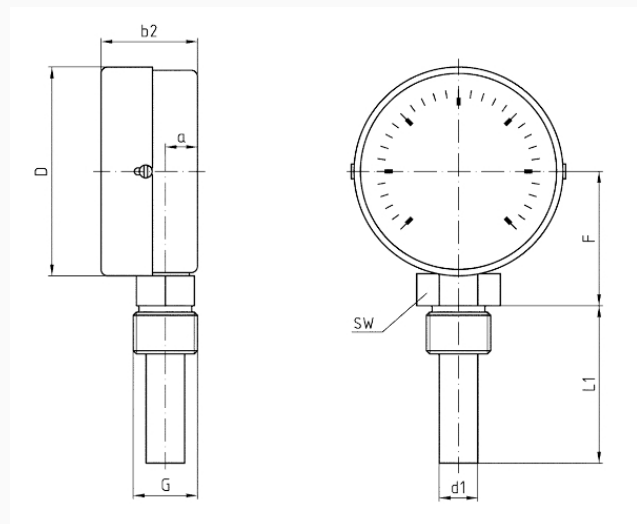
Plastic

Options

- other ranges
- Nominal size 34, 160

Technical Drawings

Bottom connection



Dimensions (mm)

| NG | a | b2 | D | d1 | F | G | L1 | SW |
|-----|----|------|-----|----|------|-------------------|-----|-------|
| 63 | 10 | 35 | 63 | 12 | 29,3 | G $\frac{1}{2}$ B | 40 | 19/22 |
| 63 | 10 | 35 | 63 | 12 | 29,3 | G $\frac{1}{2}$ B | 63 | 19/22 |
| 63 | 10 | 35 | 63 | 12 | 29,3 | G $\frac{1}{2}$ B | 100 | 19/22 |
| 63 | 10 | 35 | 63 | 12 | 29,3 | G $\frac{1}{2}$ B | 150 | 19/22 |
| 80 | 10 | 33 | 80 | 12 | 47,3 | G $\frac{1}{2}$ B | 40 | 19/22 |
| 80 | 10 | 33 | 80 | 12 | 47,3 | G $\frac{1}{2}$ B | 63 | 19/22 |
| 80 | 10 | 33 | 80 | 12 | 47,3 | G $\frac{1}{2}$ B | 100 | 19/22 |
| 80 | 10 | 33 | 80 | 12 | 47,3 | G $\frac{1}{2}$ B | 150 | 19/22 |
| 100 | 10 | 40,5 | 100 | 12 | 59,3 | G $\frac{1}{2}$ B | 40 | 19/22 |
| 100 | 10 | 40,5 | 100 | 12 | 59,3 | G $\frac{1}{2}$ B | 63 | 19/22 |
| 100 | 10 | 40,5 | 100 | 12 | 59,3 | G $\frac{1}{2}$ B | 100 | 19/22 |
| 100 | 10 | 40,5 | 100 | 12 | 59,3 | G $\frac{1}{2}$ B | 150 | 19/22 |

Versions

| Type | housing \varnothing | mounting position | Range | Stem length | Type | Type | Part no. |
|------------|-----------------------|-------------------|----------|-------------|------------|-----------------------|----------|
| BiTh 80 ST | 80 mm | bottom | 0/120 °C | 100 mm | BiTh 80 ST | <input type="radio"/> | 64067 |

- in-stock items
- Non-stock items