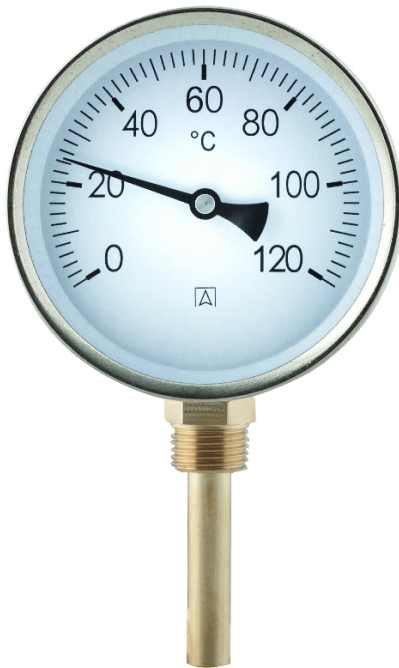


## bimetal standard thermometer BiTh 100 ST

Part no. 64077

bimetal standard thermometer



### benefits

- ranges:-20/+60, 0/60, 0/120, 0/160 °C
- brass thermowell
- stem brass or aluminium

### Application

Heating, plumbing

### Technical Specifications

#### Nominal size

100

#### measuring element

Bimetal helix

#### accuracy class

2 (EN 13190)

#### ranges °C

0/60

#### application area

Full scale value

#### Operating pressure at thermowell

max. 6 bar

#### Connection

Stem: brass or aluminium,  $\varnothing$  9 mm

Thermowell: G $\frac{1}{2}$ B, brass or aluminium,  $\varnothing$  9 mm

#### mounting position

bottom

#### Dial

Up to 120 °C: Plastic, white

$\geq$  160 °C: Aluminium, white

Scaling: black

#### Pointer

Plastic, black

#### Housing

Sheet steel, galvanised

#### push on bezel

Sheet steel, nickel-plated

#### window

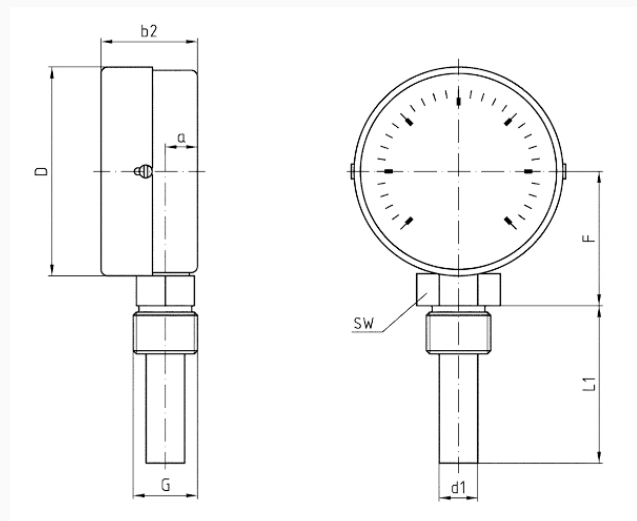
Plastic

## Options

- other ranges
- Nominal size 34, 160

## Technical Drawings


### Bottom connection





### Dimensions (mm)

NG	a	b2	D	d1	F	G	L1	SW
63	10	35	63	12	29,3	G½B	40	19/22
63	10	35	63	12	29,3	G½B	63	19/22
63	10	35	63	12	29,3	G½B	100	19/22
63	10	35	63	12	29,3	G½B	150	19/22
80	10	33	80	12	47,3	G½B	40	19/22
80	10	33	80	12	47,3	G½B	63	19/22
80	10	33	80	12	47,3	G½B	100	19/22
80	10	33	80	12	47,3	G½B	150	19/22
100	10	40,5	100	12	59,3	G½B	40	19/22
100	10	40,5	100	12	59,3	G½B	63	19/22
100	10	40,5	100	12	59,3	G½B	100	19/22
100	10	40,5	100	12	59,3	G½B	150	19/22

**Versions**

Type	housing $\varnothing$	mounting position	Range	Stem length	Type	Type	Part no.
BiTh 100 ST	100 mm	bottom	0/60 °C	40 mm	BiTh 100 ST		64077

-  in-stock items
-  Non-stock items