



## industrial thermometer VMTh 110

Part no. 64109

industrial thermometer

### benefits

- extremely robust due to full metal housing
- vibration-resistant glass thermometer
- Stainless steel version possible
- excellent readability due to blue thermometer filling

### Application

Heating, industry, mechanical engineering

### Technical Specifications

**Nominal size**  
110 mm30 mm

**Upper part**  
Aluminium, V-shaped, polished, anodised brass-coloured. Numbers of measuring range printed in black at the right part of the scale below the anodised layer. Adjustable by means of brass nut (spanner size SW 22) so that readings from any angle are possible.

**Glass insert (capillary)**  
prismatic capillary, completely made of glass,  $\varnothing$  6 mm. Graduation marks of the capillary burnt in, black, completely resistant. Main graduation marks corresponding to the numbers printed on the housing are especially bold and easy to read.

**thermometer filling**  
Standard version: Blue liquid indicating from -60 to +200 °C.

### Options

- other ranges
- other stem lengths
- other stem materials

**Stem**  
brass,  $\varnothing$  10 mm, with fixed thread G $\frac{1}{2}$ B. Stainless steel version on request.

**accuracy**  
DIN 16195

**ranges °C**  
0/60

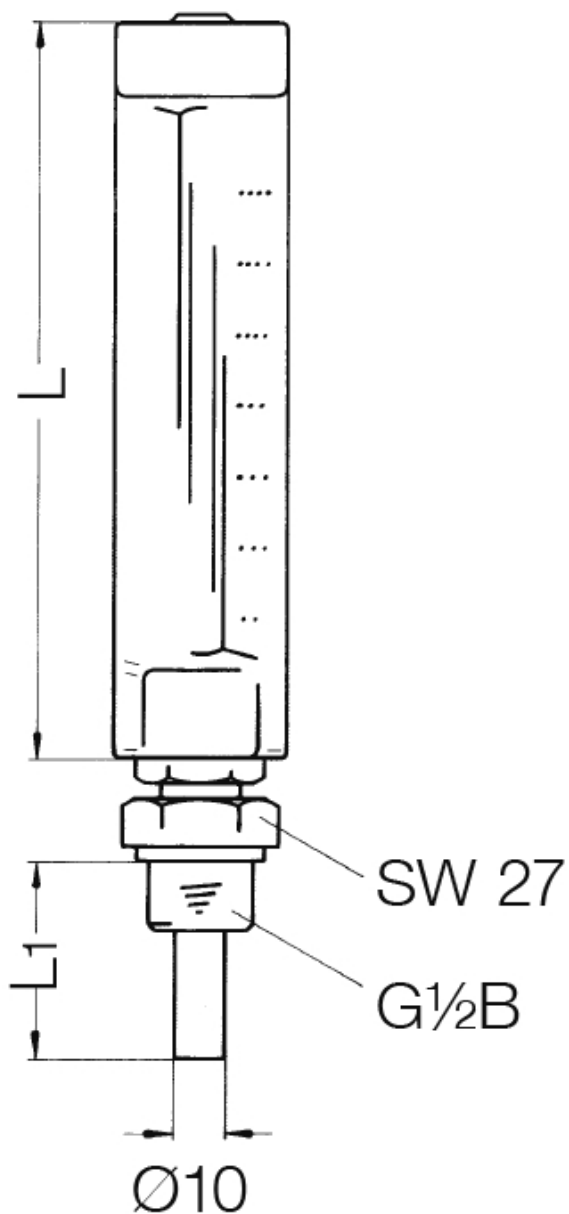
**mounting position**  
straight

**Immersion pipe length**  
160 mm

- other connection threads
- Upper part anodised aluminium-coloured
- Upper part made of plastic
- thermowells

**Technical Drawings**

mounting position straight



**Dimensions (mm)**

| Typ      | L   |    | L <sub>1</sub> |     |     |
|----------|-----|----|----------------|-----|-----|
| VMTh 110 | 110 | 40 | 63             | 100 | 160 |
| VMTh 150 | 150 | 40 | 63             | 100 | 160 |
| VMTh 200 | 200 | 40 | 63             | 100 | 160 |

**Versions**

|          | Nominal size | Version   | mounting position | Range   | Stem length | Type     |   | Part no. |
|----------|--------------|-----------|-------------------|---------|-------------|----------|---|----------|
| VMTh 110 | 110 x 30 mm  | DIN 16181 | straight          | 0/60 °C | 160 mm      | VMTh 110 | ● | 64109    |

● in-stock items

● Non-stock items