



industrial thermometer VMTh 150

Part no. 64155

industrial thermometer

benefits

- extremely robust due to full metal housing
- vibration-resistant glass thermometer
- Stainless steel version possible
- excellent readability due to blue thermometer filling

Application

Heating, industry, mechanical engineering

Technical Specifications

Nominal size

150 mm36 mm

Upper part

Aluminium, V-shaped, polished, anodised brass-coloured. Numbers of measuring range printed in black at the right part of the scale below the anodised layer. Adjustable by means of brass nut (spanner size SW 22) so that readings from any angle are possible.

Glass insert (capillary)

prismatic capillary, completely made of glass, \varnothing 6 mm. Graduation marks of the capillary burnt in, black, completely resistant. Main graduation marks corresponding to the numbers printed on the housing are especially bold and easy to read.

thermometer filling

Standard version: Blue liquid indicating from -60 to +200 °C.

Options

- other ranges
- other stem lengths
- other stem materials

Stem

brass, \varnothing 10 mm, with fixed thread G $\frac{1}{2}$ B. Stainless steel version on request.

accuracy

DIN 16195

ranges °C

0/60

mounting position

Angled 90°

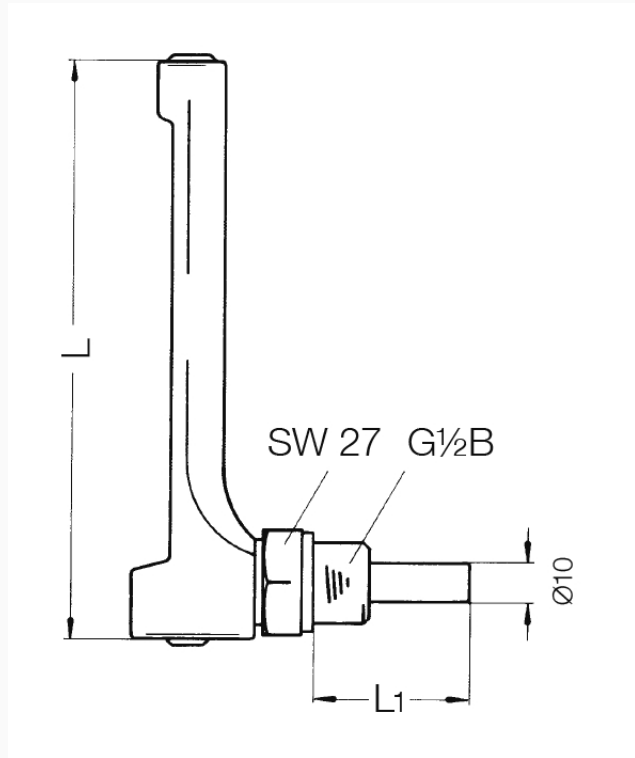
Immersion pipe length

63 mm

- other connection threads
- Upper part anodised aluminium-coloured
- Upper part made of plastic
- thermowells

Technical Drawings

mounting position angled 90°



Dimensions (mm)

| Typ | L | L ₁ | | | |
|----------|-----|----------------|----|-----|-----|
| VMTh 110 | 110 | 40 | 63 | 100 | 160 |
| VMTh 150 | 150 | 40 | 63 | 100 | 160 |
| VMTh 200 | 200 | 40 | 63 | 100 | 160 |

Versions

| | Nominal size | Version | mounting position | Range | Stem length | Type | Part no. |
|----------|--------------|-----------|-------------------|---------|-------------|------------|----------|
| VMTh 150 | 150 x 36 mm | DIN 16186 | Angled 90° | 0/60 °C | 63 mm | VMTh 150 ● | 64155 |

- in-stock items
- Non-stock items