

combined thermometer/pressure gauge TM80

Part no. 63341

combined thermometer/pressure gauge



benefits

- pressure and temperature measurement with at a single measuring point
- with self-sealing connection thread for fast installation
- Bottom connection or back connection
- with mounting valve for easy replacement without downtime

Application

For liquid media which are not highly viscous, do not crystallise and do not attack copper alloys. For combined measurement of pressure and temperature, especially in heating systems and heating boilers.

Description

The combined thermometer/pressure gauge / thermo-hydrometer consists of a Bourdon tube measuring system for pressure measurement and a bimetal measuring system for simultaneous temperature measurement. Both values are measured and displayed by a single gauge. A self-closing mounting valve enable easy replacement of the measuring instrument without requiring the system to be drained. An optional M18 x 1 to G $\frac{1}{4}$ adapter is available if the combined thermometer/pressure gauge has to be mounted into an existing thermowell with M18 x 1 female thread.

Technical Specifications

Type

D2

Nominal size

80

accuracy class

Pressure gauges: 2.5 (EN 837-1/6)

Range

pressure: 0/4 bar
temperature: 20/120 °C

application area

static load: $\frac{3}{4}$ x full scale value
dynamic load: $\frac{2}{3}$ x full scale value
short-term: Full scale value
temperature: Full scale value

Operating temperature range

Medium: max. 120 °C

Ambient: -20/+60 °C

Temperature performance

pressure: Indication error when the temperature of the measuring system deviates from the normal temperature of 20 °C:
at rising temperature approx. ± 0.4 %/10 K
falling temperature approx. ± 0.4 %/10 K
of full scale value

Degree of protection

IP 32 (EN 60529)

Connection

Brass, centre back
G $\frac{1}{4}$ B with mounting valve G $\frac{1}{4}$ to R $\frac{1}{2}$

Measuring element

pressure: Bourdon tube, Copper alloy
 temperature: Bimetal spiral

Dial

Plastic, white
 Scaling: black with red/blue circular arcs

Pointer

pressure: Plastic, black
 temperature: Plastic, Red

Housing

D2
 Sheet steel, black

window

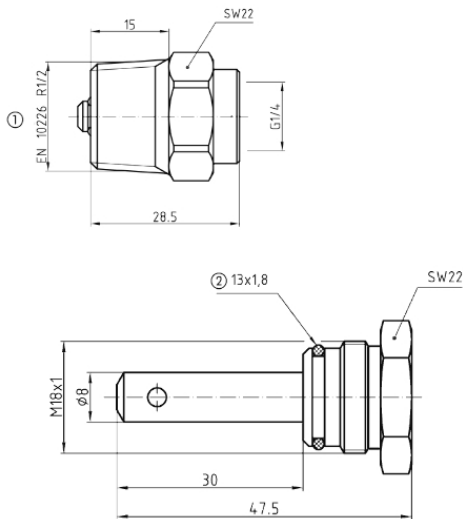
Plastic, clipped in with adjustable red mark

Options

- Adapter M 18 x 1 to G $\frac{1}{4}$
- special scales
- other process connections

Technical Drawings

Mounting valve and adapter



Dimensions (mm)

pipe thread
 O ring (NBR)

Versions

housing ø	Housing	mounting position	Adapter	Range		Type		Part no.
				pressure	temperatu- re			
80 mm	Sheet steel, black	centre back		0/4 bar	20/120 °C	TM80 D211	●	63341

● in-stock items

● Non-stock items