



## Standard Bourdon tube pressure gauges RF63

Part no. 85103101

Standard Bourdon tube pressure gauges Type D1

### benefits

- for pneumatic and heating system applications
- Design as per EN 837-1
- Accuracy class 1.6
- corrosion-resistant, highly impact-resistant plastic housing
- many customised versions available

### Application

For gaseous and liquid media which are not highly viscous, do not crystallise and do not attack copper alloys.  
! For measuring gas or vapour, observe the table "Selection Criteria as per EN 837-2"!

### Technical Specifications

#### Type

D1

#### Nominal size

63

#### accuracy class (EN 837-1/6)

1.6

#### ranges (EN 837-1/5)

see ordering table

#### application area

static load:  $\frac{3}{4}$  x full scale value  
dynamic load:  $\frac{2}{3}$  x full scale value  
short-term: Full scale value

#### Operating temperature range

Medium: max. 60 °C  
Ambient: -20/+60 °C

#### Temperature performance

Indication error when the temperature of the measuring system deviates from the normal temperature of 20 °C:  
at rising temperature approx.  $\pm 0.4$  %/10 K  
falling temperature approx.  $\pm 0.4$  %/10 K  
of full scale value

#### Degree of protection

IP 32 (EN 60529)

#### Connection

Brass, bottom

#### Measuring element

Bourdon tube, Copper alloy  
 $\leq 60$  bar: "C" type tube  
> 60 bar: helical tube

#### movement

Brass

**Dial**

Plastic, white  
Scaling: black

**Pointer**

Plastic, black

**Housing**

ABS, black, highly impact-resistant and corrosion-resistant

**window**

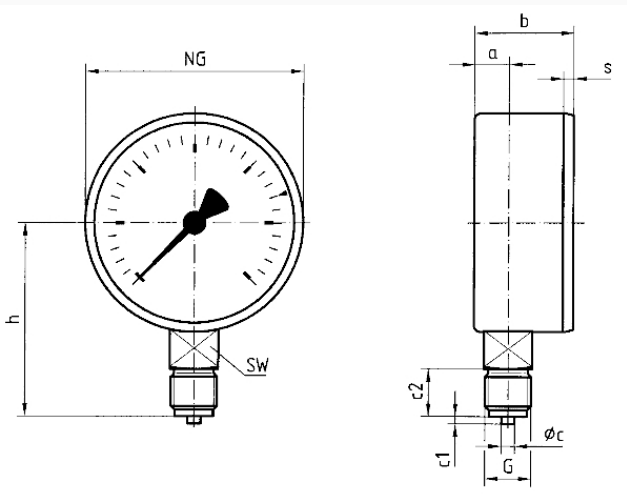
Plastic, clipped in  
NG 63

**Options**

- throttle screw
- Reference pointer
- special scales
- other process connections

**Technical Drawings**

NG 40/50/63 – bottom connection



Dimensions (mm)

NG	a	b	Øc	c1	c2	G	h	s	SW
40	9,5	25	4	2	10	G½B	36	3	12
50	10,3	26,8	5	2	13	G½B	45	3,8	14
63	9,8	29,7	5	2	13	G½B	51,5	3,7	14

**Versions**

Range	Mounting type	Type	Part number
-1/+1.5 bar	direct	RF63 D101	85103101

● in-stock items

● Non-stock items