



Standard Bourdon tube pressure gauges RF63

Part no. 85109101

Standard Bourdon tube pressure gauges Type D1

benefits

- for pneumatic and heating system applications
- Design as per EN 837-1
- Accuracy class 1.6
- corrosion-resistant, highly impact-resistant plastic housing
- many customised versions available

Application

For gaseous and liquid media which are not highly viscous, do not crystallise and do not attack copper alloys.
! For measuring gas or vapour, observe the table "Selection Criteria as per EN 837-2"!

Technical Specifications

Type

D1

Nominal size

63

accuracy class (EN 837-1/6)

1.6

ranges (EN 837-1/5)

see ordering table

application area

static load: $\frac{3}{4}$ x full scale value
dynamic load: $\frac{2}{3}$ x full scale value
short-term: Full scale value

Operating temperature range

Medium: max. 60 °C
Ambient: -20/+60 °C

Temperature performance

Indication error when the temperature of the measuring system deviates from the normal temperature of 20 °C:
at rising temperature approx. ± 0.4 %/10 K
falling temperature approx. ± 0.4 %/10 K
of full scale value

Degree of protection

IP 32 (EN 60529)

Connection

Brass, bottom

Measuring element

Bourdon tube, Copper alloy
 ≤ 60 bar: "C" type tube
> 60 bar: helical tube

movement

Brass

Dial

Plastic, white
Scaling: black

Pointer

Plastic, black

Housing

ABS, black, highly impact-resistant and corrosion-resistant

window

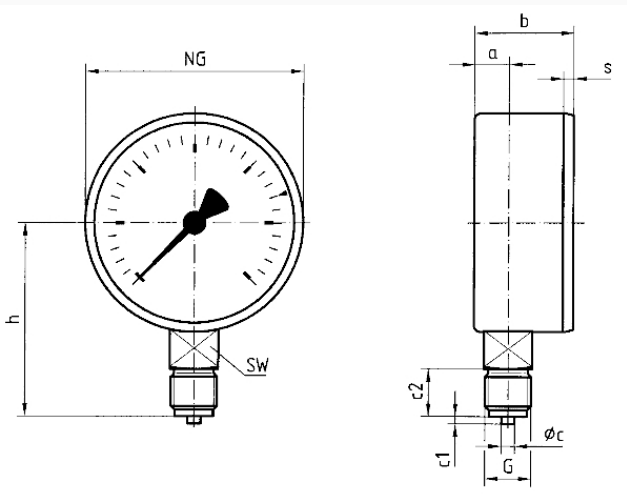
Plastic, clipped in
NG 63

Options

- throttle screw
- Reference pointer
- special scales
- other process connections

Technical Drawings

NG 40/50/63 – bottom connection



Dimensions (mm)

| NG | a | b | øc | c1 | c2 | G | h | s | SW |
|----|------|------|----|----|----|-------------------|------|-----|----|
| 40 | 9,5 | 25 | 4 | 2 | 10 | G $\frac{1}{4}$ B | 36 | 3 | 12 |
| 50 | 10,3 | 26,8 | 5 | 2 | 13 | G $\frac{1}{4}$ B | 45 | 3,8 | 14 |
| 63 | 9,8 | 29,7 | 5 | 2 | 13 | G $\frac{1}{4}$ B | 51,5 | 3,7 | 14 |

Versions

| Range | Mounting type | Type | Part number |
|-----------|---------------|--------------|-------------|
| 0/0.6 bar | direct | RF63 D101 | 85109101 |

● in-stock items

● Non-stock items