



## Standard Bourdon tube pressure gauges RF80

Part no. 85160101

Standard Bourdon tube pressure gauges Type D1

### benefits

- for pneumatic and heating system applications
- Design as per EN 837-1
- Accuracy class 1.6
- corrosion-resistant, highly impact-resistant plastic housing
- many customised versions available

### Application

For gaseous and liquid media which are not highly viscous, do not crystallise and do not attack copper alloys.  
! For measuring gas or vapour, observe the table "Selection Criteria as per EN 837-2"!

### Technical Specifications

#### Type

D1

#### Nominal size

80

#### accuracy class (EN 837-1/6)

1.6

#### ranges (EN 837-1/5)

see ordering table

#### application area

static load:  $\frac{3}{4}$  x full scale value  
dynamic load:  $\frac{2}{3}$  x full scale value  
short-term: Full scale value

#### Operating temperature range

Medium: max. 60 °C  
Ambient: -20/+60 °C

#### Temperature performance

Indication error when the temperature of the measuring system deviates from the normal temperature of 20 °C:  
at rising temperature approx.  $\pm 0.4$  %/10 K  
falling temperature approx.  $\pm 0.4$  %/10 K  
of full scale value

#### Degree of protection

IP 32 (EN 60529)

#### Connection

Brass, bottom

#### Measuring element

Bourdon tube, Copper alloy  
 $\leq 60$  bar: "C" type tube  
> 60 bar: helical tube

#### movement

Brass

**Dial**  
Plastic, white  
Scaling: black

**Pointer**  
Plastic, black

**Housing**  
ABS, black, highly impact-resistant and corrosion-resistant

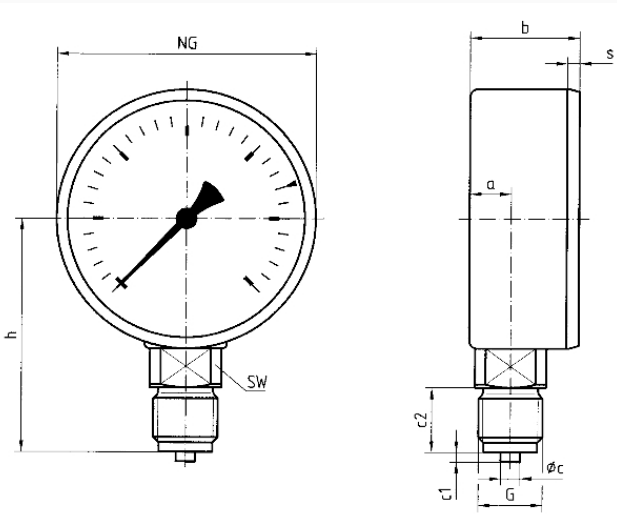
**window**  
Plastic, clipped in  
NG 80  
with adjustable red reference pointer

**Options**

- throttle screw
- Reference pointer
- special scales
- other process connections

**Technical Drawings**

NG 80 – bottom connection



Dimensions (mm)

| NG | a    | b    | Øc | c1 | c2 | G   | h  | s   | SW |
|----|------|------|----|----|----|-----|----|-----|----|
| 80 | 12,8 | 32,8 | 6  | 3  | 20 | G¼B | 72 | 2,8 | 22 |

**Versions**

| Range   | Mounting type | Type         | Part number |
|---------|---------------|--------------|-------------|
| 0/1 bar | direct        | RF80<br>D101 | 85160101    |

- in-stock items
- Non-stock items