

## Standard Bourdon tube pressure gauges RF63

Part no. 85107111

Standard Bourdon tube pressure gauges Type D1



### benefits

- for pneumatic and heating system applications
- Design as per EN 837-1
- Accuracy class 1.6
- corrosion-resistant, highly impact-resistant plastic housing
- many customised versions available

### Application

For gaseous and liquid media which are not highly viscous, do not crystallise and do not attack copper alloys.

! For measuring gas or vapour, observe the table "Selection Criteria as per EN 837-2"!

### Technical Specifications

#### Type

D1

#### Nominal size

63

#### accuracy class (EN 837-1/6)

1.6

#### ranges (EN 837-1/5)

see ordering table

#### application area

static load:  $\frac{3}{4}$  x full scale value

dynamic load:  $\frac{2}{3}$  x full scale value

short-term: Full scale value

#### Operating temperature range

Medium: max. 60 °C

Ambient: -20/+60 °C

#### Temperature performance

Indication error when the temperature of the measuring system deviates from the normal temperature of 20 °C:

at rising temperature approx.  $\pm 0.4 \%$ /10 K

falling temperature approx.  $\pm 0.4 \%$ /10 K

of full scale value

#### Degree of protection

IP 32 (EN 60529)

#### Connection

Brass, centre back

#### Measuring element

Bourdon tube, Copper alloy

$\leq 60$  bar: "C" type tube

$> 60$  bar: helical tube

#### movement

Brass

#### Dial

Plastic, white

Scaling: black

**Pointer**

Plastic, black

**window**

Plastic, clipped in  
NG 63

**Housing**

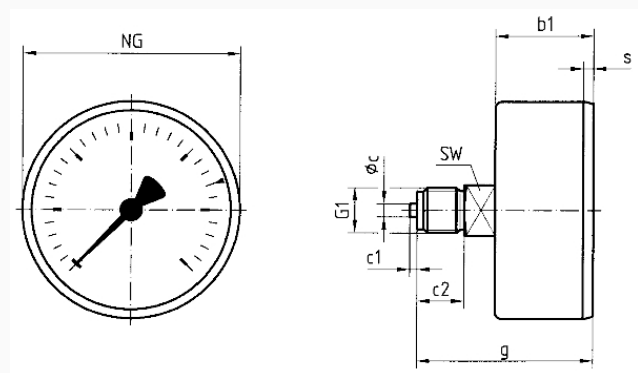
ABS, black, highly impact-resistant and corrosion-resistant

**Options**

- throttle screw
- Reference pointer
- special scales
- other process connections

**Technical Drawings**

**NG 40/50/63 – centre back connection**



**Dimensions (mm)**

NG	b1	øc	c1	c2	g	G1	s	SW
40	25	4	2	10	41,5	G $\frac{1}{8}$ B	3	12
50	27,1	5	2	13	47,1	G $\frac{1}{4}$ B	3,8	14
63	30,4	5	2	13	50,4	G $\frac{1}{4}$ B	3,7	14

**Versions**

Range	Mounting type	Type	Part number
-1/+15 bar	direct	RF63 D111	85107111

- in-stock items
- Non-stock items