

## Standard Bourdon tube pressure gauges RF63

Part no. 85123111

Standard Bourdon tube pressure gauges Type D1



### benefits

- for pneumatic and heating system applications
- Design as per EN 837-1
- Accuracy class 1.6
- corrosion-resistant, highly impact-resistant plastic housing
- many customised versions available

### Application

For gaseous and liquid media which are not highly viscous, do not crystallise and do not attack copper alloys.  
! For measuring gas or vapour, observe the table "Selection Criteria as per EN 837-2"!

### Technical Specifications

**Type**  
D1

**Nominal size**  
63

**accuracy class (EN 837-1/6)**  
1.6

**ranges (EN 837-1/5)**  
see ordering table

**application area**  
static load:  $\frac{3}{4}$  x full scale value  
dynamic load:  $\frac{2}{3}$  x full scale value  
short-term: Full scale value

**Operating temperature range**  
Medium: max. 60 °C  
Ambient: -20/+60 °C

### Temperature performance

Indication error when the temperature of the measuring system deviates from the normal temperature of 20 °C:  
at rising temperature approx.  $\pm 0.4 \%$ /10 K  
falling temperature approx.  $\pm 0.4 \%$ /10 K  
of full scale value

**Degree of protection**  
IP 32 (EN 60529)

**Connection**  
Brass, centre back

**Measuring element**  
Bourdon tube, Copper alloy  
 $\leq 60$  bar: "C" type tube  
 $> 60$  bar: helical tube

**movement**  
Brass

**Dial**  
Plastic, white  
Scaling: black

**Pointer**  
Plastic, black

**window**  
Plastic, clipped in  
NG 63

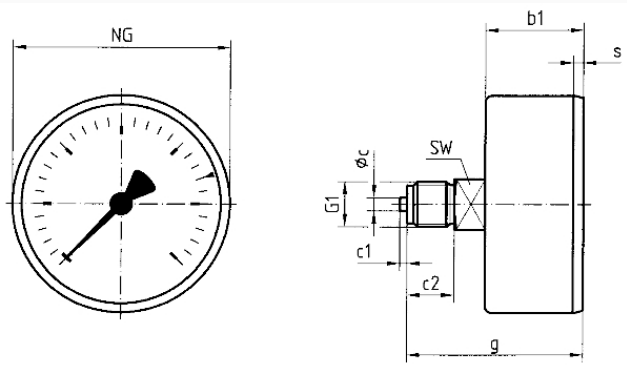
**Housing**  
ABS, black, highly impact-resistant and corrosion-resistant

**Options**

- throttle screw
- Reference pointer
- special scales
- other process connections

**Technical Drawings**

**NG 40/50/63 – centre back connection**



**Dimensions (mm)**

| NG | b1   | øc | c1 | c2 | g    | G1                | s   | SW |
|----|------|----|----|----|------|-------------------|-----|----|
| 40 | 25   | 4  | 2  | 10 | 41,5 | G $\frac{1}{8}$ B | 3   | 12 |
| 50 | 27,1 | 5  | 2  | 13 | 47,1 | G $\frac{1}{4}$ B | 3,8 | 14 |
| 63 | 30,4 | 5  | 2  | 13 | 50,4 | G $\frac{1}{4}$ B | 3,7 | 14 |

**Versions**

| Range     | Mounting type | Type         | Part number |
|-----------|---------------|--------------|-------------|
| 0/400 bar | direct        | RF63<br>D111 | 85123111    |

- in-stock items
- Non-stock items