



Standard Bourdon tube pressure gauges RF40

Part no. 85011201

Standard Bourdon tube pressure gauges Type D2

benefits

- for pneumatic and heating system applications (NG 40 - 50 - 63)
- for domestic technology and mechanical engineering applications (NG 80 - 100 - 160)
- robust steel housing
- window with adjustable reference pointer (NG 80 - 100)
- with reference pointer on dial (NG 160)
- Accuracy class 1.6
- many customised versions available

Application

For gaseous and liquid media which are not highly viscous, do not crystallise and do not attack copper alloys.
! For measuring gas or vapour, observe the table "Selection Criteria as per EN 837-2"!

Technical Specifications

Type

D2

Nominal size

40

accuracy class (EN 837-1/6)

1.6

ranges (EN 837-1/5)

see ordering table

application area

static load: $\frac{3}{4}$ x full scale value
dynamic load: $\frac{2}{3}$ x full scale value
short-term: Full scale value

Operating temperature range

Medium: max. 60 °C
Ambient: -20/+60 °C

Temperature performance

Indication error when the temperature of the measuring system deviates from the normal temperature of 20 °C:
at rising temperature approx. ± 0.4 %/10 K
falling temperature approx. ± 0.4 %/10 K
of full scale value

Degree of protection

IP 32 (EN 60529)

Connection

Brass, bottom

Measuring element

Bourdon tube, Copper alloy
 ≤ 60 bar: "C" type tube
> 60 bar: helical tube

movement

Brass

Dial
 NG 40
 Plastic, white
 D201
 black

Scale
 D201

Pointer
 NG 40
 Plastic, black

Options

- Panel mounting bezel
- 3-hole fixing, panel mounting bezel
- throttle screw
- Reference pointer
- special scales
- other process connections

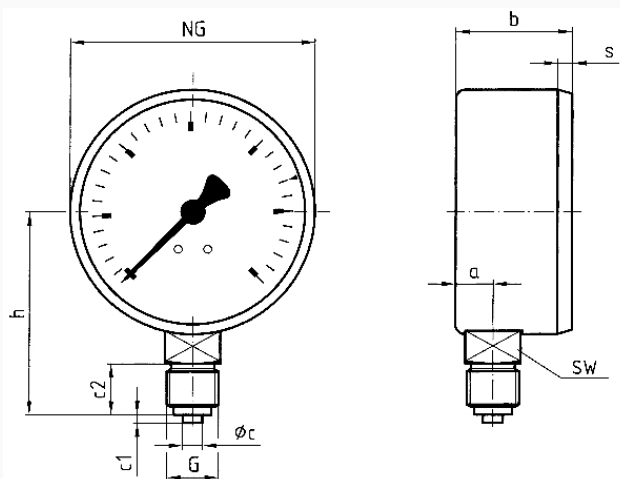
Housing
 Sheet steel, black

push on bezel
 NG 40

window
 NG 40
 Plastic, clipped in

Technical Drawings

NG 40/50/63 – bottom connection



Dimensions (mm)

NG	a	b	Øc	c1	c2	G	h	s	SW
40	8,5	23,5	4	2	10	G $\frac{1}{4}$ B	36	3	12
50	10,5	26	5	2	13	G $\frac{1}{4}$ B	45	3,8	14
63	9,5	29,4	5	2	13	G $\frac{1}{4}$ B	51,5	3,7	14

Versions

Range	Mounting type	Type		Part number
0/1.6 bar	direct	RF40 D201	<input type="radio"/>	85011201

- in-stock items
- Non-stock items