



## Standard Bourdon tube pressure gauges RF100

Part no. 85220201

Standard Bourdon tube pressure gauges Type D2

### benefits

- for pneumatic and heating system applications (NG 40 - 50 - 63)
- for domestic technology and mechanical engineering applications (NG 80 - 100 - 160)
- robust steel housing
- window with adjustable reference pointer (NG 80 - 100)
- with reference pointer on dial (NG 160)
- Accuracy class 1.6
- many customised versions available

### Application

For gaseous and liquid media which are not highly viscous, do not crystallise and do not attack copper alloys.  
! For measuring gas or vapour, observe the table "Selection Criteria as per EN 837-2"!

### Technical Specifications

#### Type

D2

#### Nominal size

100

#### accuracy class (EN 837-1/6)

1.6

#### ranges (EN 837-1/5)

see ordering table

#### application area

static load:  $\frac{3}{4}$  x full scale value  
dynamic load:  $\frac{2}{3}$  x full scale value  
short-term: Full scale value

#### Operating temperature range

Medium: max. 60 °C  
Ambient: -20/+60 °C

#### Temperature performance

Indication error when the temperature of the measuring system deviates from the normal temperature of 20 °C:  
at rising temperature approx.  $\pm 0.4$  %/10 K  
falling temperature approx.  $\pm 0.4$  %/10 K  
of full scale value

#### Degree of protection

IP 32 (EN 60529)

#### Connection

Brass, bottom

#### Measuring element

Bourdon tube, Copper alloy  
 $\leq 60$  bar: "C" type tube  
> 60 bar: helical tube

#### movement

Brass

**Dial**  
 NG 100  
 Plastic, white  
 D201  
 black

**Scale**  
 D201

**Pointer**  
 NG 100  
 Plastic, black

**Housing**  
 Sheet steel, black

**push on bezel**  
 NG 100

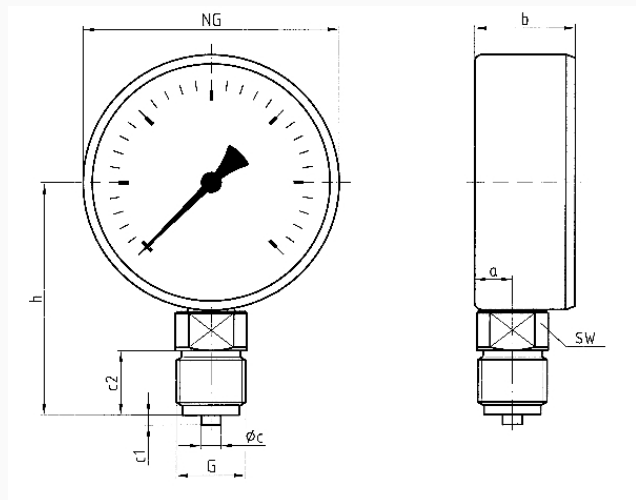
**window**  
 NG 100  
 Plastic, clipped in, with adjustable red reference pointer

**Options**

- Panel mounting bezel
- 3-hole fixing, panel mounting bezel
- throttle screw
- Reference pointer
- special scales
- other process connections

**Technical Drawings**

**NG 80/100 – bottom connection**



**Dimensions (mm)**

| NG  | a    | b    | ∅c | c1 | c2 | G   | h  | SW |
|-----|------|------|----|----|----|-----|----|----|
| 80  | 11,7 | 31   | 6  | 3  | 20 | G½B | 72 | 14 |
| 100 | 11   | 29,5 | 6  | 3  | 20 | G½B | 82 | 14 |

## Versions

| Range     | Mounting type | Type          |                       | Part number |
|-----------|---------------|---------------|-----------------------|-------------|
| 0/100 bar | direct        | RF100<br>D201 | <input type="radio"/> | 85220201    |

- in-stock items
- Non-stock items