



Standard Bourdon tube pressure gauges RF40

Part no. 85001211

Standard Bourdon tube pressure gauges Type D2

benefits

- for pneumatic and heating system applications (NG 40 - 50 - 63)
- for domestic technology and mechanical engineering applications (NG 80 - 100 - 160)
- robust steel housing
- window with adjustable reference pointer (NG 80 - 100)
- with reference pointer on dial (NG 160)
- Accuracy class 1.6
- many customised versions available

Application

For gaseous and liquid media which are not highly viscous, do not crystallise and do not attack copper alloys.
! For measuring gas or vapour, observe the table "Selection Criteria as per EN 837-2"!

Technical Specifications

Type
D2

Nominal size
40

accuracy class (EN 837-1/6)
1.6

ranges (EN 837-1/5)
see ordering table

application area
static load: $\frac{3}{4}$ x full scale value
dynamic load: $\frac{2}{3}$ x full scale value
short-term: Full scale value

Operating temperature range
Medium: max. 60 °C
Ambient: -20/+60 °C

Temperature performance

Indication error when the temperature of the measuring system deviates from the normal temperature of 20 °C:
at rising temperature approx. ± 0.4 %/10 K
falling temperature approx. ± 0.4 %/10 K
of full scale value

Degree of protection
IP 32 (EN 60529)

Connection
Brass, centre back

Measuring element
Bourdon tube, Copper alloy
 ≤ 60 bar: "C" type tube
> 60 bar: helical tube

movement
Brass

Dial
 NG 40
 Plastic, white
 D211
 black

Scale
 D211

Pointer
 NG 40
 Plastic, black

Housing
 Sheet steel, black

push on bezel
 NG 40

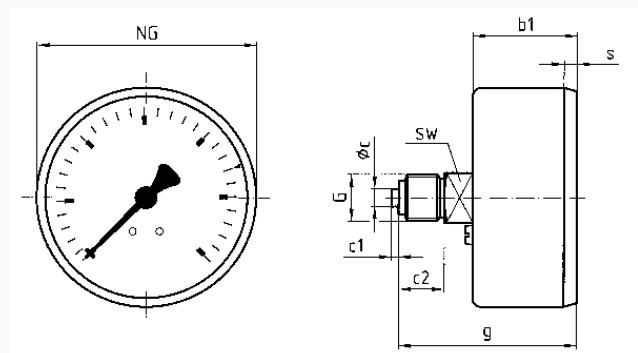
window
 NG 40
 Plastic, clipped in

Options

- Panel mounting bezel
- 3-hole fixing, panel mounting bezel
- throttle screw
- Reference pointer
- special scales
- other process connections

Technical Drawings

NG 40/50/63 – centre back connection



Dimensions (mm)

| NG | b1 | Øc | c1 | c2 | g | G | s | SW |
|----|------|----|----|----|------|-------------------|-----|----|
| 40 | 25 | 4 | 2 | 10 | 41,5 | G $\frac{1}{8}$ B | 3 | 12 |
| 50 | 26 | 5 | 2 | 13 | 47 | G $\frac{1}{4}$ B | 3,8 | 14 |
| 63 | 29,4 | 5 | 2 | 13 | 50,4 | G $\frac{1}{4}$ B | 3,7 | 14 |

Versions

| Range | Mounting type | Type | | Part number |
|-----------|---------------|--------------|----------------------------------|-------------|
| -1/+0 bar | direct | RF40 D211 | <input checked="" type="radio"/> | 85001211 |

- in-stock items
- Non-stock items