



Standard Bourdon tube pressure gauges RF63

Part no. 85118211

Standard Bourdon tube pressure gauges Type D2

benefits

- for pneumatic and heating system applications (NG 40 - 50 - 63)
- for domestic technology and mechanical engineering applications (NG 80 - 100 - 160)
- robust steel housing
- window with adjustable reference pointer (NG 80 - 100)
- with reference pointer on dial (NG 160)
- Accuracy class 1.6
- many customised versions available

Application

For gaseous and liquid media which are not highly viscous, do not crystallise and do not attack copper alloys.

! For measuring gas or vapour, observe the table "Selection Criteria as per EN 837-2"!

Technical Specifications

Type

D2

Nominal size

63

accuracy class (EN 837-1/6)

1.6

ranges (EN 837-1/5)

see ordering table

application area

static load: $\frac{3}{4}$ x full scale value
dynamic load: $\frac{2}{3}$ x full scale value
short-term: Full scale value

Operating temperature range

Medium: max. 60 °C
Ambient: -20/+60 °C

Temperature performance

Indication error when the temperature of the measuring system deviates from the normal temperature of 20 °C:
at rising temperature approx. ± 0.4 %/10 K
falling temperature approx. ± 0.4 %/10 K
of full scale value

Degree of protection

IP 32 (EN 60529)

Connection

Brass, centre back

Measuring element

Bourdon tube, Copper alloy
 ≤ 60 bar: "C" type tube
> 60 bar: helical tube

movement

Brass

Dial
 NG 63
 Plastic, white
 D211
 black

Scale
 D211

Pointer
 NG 63
 Plastic, black

Options

- Panel mounting bezel
- 3-hole fixing, panel mounting bezel
- throttle screw
- Reference pointer
- special scales
- other process connections

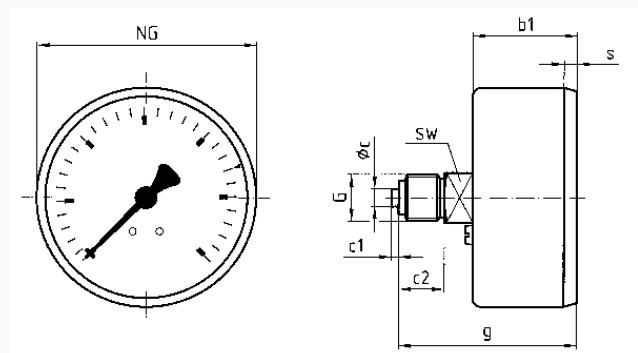
Housing
 Sheet steel, black

push on bezel
 NG 63

window
 NG 63
 Plastic, clipped in

Technical Drawings

NG 40/50/63 – centre back connection



Dimensions (mm)

NG	b1	∅c	c1	c2	g	G	s	SW
40	25	4	2	10	41,5	G ¹ / ₈ B	3	12
50	26	5	2	13	47	G ¹ / ₄ B	3,8	14
63	29,4	5	2	13	50,4	G ¹ / ₄ B	3,7	14

Versions

Range	Mounting type	Type		Part number
0/40 bar	direct	RF63 D211	●	85118211

- in-stock items
- Non-stock items