



## Standard Bourdon tube pressure gauges RF40

Part no. 85016231

Standard Bourdon tube pressure gauges Type D2

### benefits

- for pneumatic and heating system applications (NG 40 - 50 - 63)
- for domestic technology and mechanical engineering applications (NG 80 - 100 - 160)
- robust steel housing
- window with adjustable reference pointer (NG 80 - 100)
- with reference pointer on dial (NG 160)
- Accuracy class 1.6
- many customised versions available

### Application

For gaseous and liquid media which are not highly viscous, do not crystallise and do not attack copper alloys.  
! For measuring gas or vapour, observe the table "Selection Criteria as per EN 837-2"!

### Technical Specifications

**Type**  
D2

**Nominal size**  
40

**accuracy class (EN 837-1/6)**  
1.6

**ranges (EN 837-1/5)**  
see ordering table

**application area**  
static load:  $\frac{3}{4}$  x full scale value  
dynamic load:  $\frac{2}{3}$  x full scale value  
short-term: Full scale value

**Operating temperature range**  
Medium: max. 60 °C  
Ambient: -20/+60 °C

### Temperature performance

Indication error when the temperature of the measuring system deviates from the normal temperature of 20 °C:  
at rising temperature approx.  $\pm 0.4$  %/10 K  
falling temperature approx.  $\pm 0.4$  %/10 K  
of full scale value

**Degree of protection**  
IP 32 (EN 60529)

**Connection**  
Brass, centre back

**Measuring element**  
Bourdon tube, Copper alloy  
 $\leq 60$  bar: "C" type tube  
 $> 60$  bar: helical tube

**movement**  
Brass

**Dial**  
NG 40  
Plastic, white  
D231

**Scale**

D231  
dual scale, bar outer, black – psi inner, red

**Pointer**

NG 40  
Plastic, black

**Housing**

Sheet steel, black

**push on bezel**

NG 40

**window**

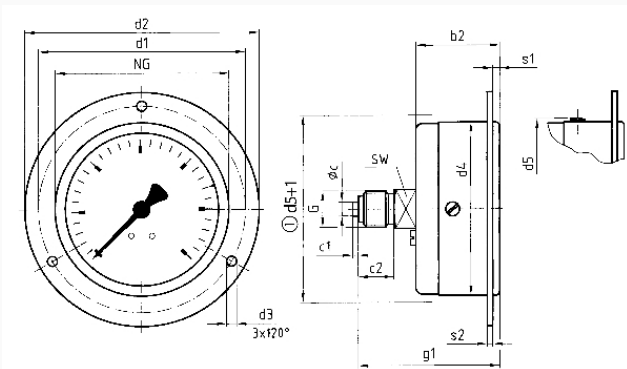
NG 40  
Plastic, clipped in

**Options**

- Panel mounting bezel
- 3-hole fixing, panel mounting bezel
- throttle screw
- Reference pointer
- special scales
- other process connections

**Technical Drawings**

**NG 40/50/63 – centre back connection, 3-hole fixing, panel mounting bezel**



**Dimensions (mm)**

NG	b2	∅c	c1	c2	d1	d2	d3	d4	d5	g1	G	s1	s2	SW
40	26	4	2	10	51	61	3,6	41	45	42,5	G <sup>3</sup> / <sub>8</sub> B2,5	2	2	12
50	27,5	5	2	13	60	71	3,6	50	54	49	G <sup>1</sup> / <sub>4</sub> B2,5	2	2	14
63	30,3	5	2	13	75	85	3,6	63	66,5	51,3	G <sup>3</sup> / <sub>8</sub> B2,5	2	2	14

## Versions

Range	Mounting type	Type		Part number
0/16 bar	3-hole fixing, panel mounting bezel	RF40 D231	<input checked="" type="radio"/>	85016231

in-stock items

Non-stock items