



Standard Bourdon tube pressure gauges RF40

Part no. 85020231

Standard Bourdon tube pressure gauges Type D2

benefits

- for pneumatic and heating system applications (NG 40 - 50 - 63)
- for domestic technology and mechanical engineering applications (NG 80 - 100 - 160)
- robust steel housing
- window with adjustable reference pointer (NG 80 - 100)
- with reference pointer on dial (NG 160)
- Accuracy class 1.6
- many customised versions available

Application

For gaseous and liquid media which are not highly viscous, do not crystallise and do not attack copper alloys.
! For measuring gas or vapour, observe the table "Selection Criteria as per EN 837-2"!

Technical Specifications

Type

D2

Nominal size

40

accuracy class (EN 837-1/6)

1.6

ranges (EN 837-1/5)

see ordering table

application area

static load: $\frac{3}{4}$ x full scale value
dynamic load: $\frac{2}{3}$ x full scale value
short-term: Full scale value

Operating temperature range

Medium: max. 60 °C
Ambient: -20/+60 °C

Temperature performance

Indication error when the temperature of the measuring system deviates from the normal temperature of 20 °C:
at rising temperature approx. ± 0.4 %/10 K
falling temperature approx. ± 0.4 %/10 K
of full scale value

Degree of protection

IP 32 (EN 60529)

Connection

Brass, centre back

Measuring element

Bourdon tube, Copper alloy
 ≤ 60 bar: "C" type tube
 > 60 bar: helical tube

movement

Brass

Dial

NG 40
Plastic, white
D231

Scale

D231
dual scale, bar outer, black – psi inner, red

Pointer

NG 40
Plastic, black

Housing

Sheet steel, black

push on bezel

NG 40

window

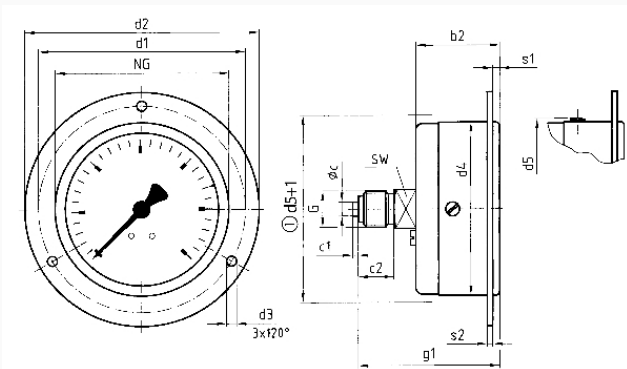
NG 40
Plastic, clipped in

Options

- Panel mounting bezel
- 3-hole fixing, panel mounting bezel
- throttle screw
- Reference pointer
- special scales
- other process connections

Technical Drawings

NG 40/50/63 – centre back connection, 3-hole fixing, panel mounting bezel



Dimensions (mm)

NG	b2	∅c	c1	c2	d1	d2	d3	d4	d5	g1	G	s1	s2	SW
40	26	4	2	10	51	61	3,6	41	45	42,5	G ^{3/8} B2,5	2,5	2	12
50	27,5	5	2	13	60	71	3,6	50	54	49	G ^{1/2} B2,5	2,5	2	14
63	30,3	5	2	13	75	85	3,6	63	66,5	51,3	G ^{3/4} B2,5	2,5	2	14

Versions

Range	Mounting type	Type		Part number
0/100 bar	3-hole fixing, panel mounting bezel	RF40 D231	<input type="radio"/>	85020231

- in-stock items
- Non-stock items