



Standard Bourdon tube pressure gauges RF50

Part no. 85063251

Standard Bourdon tube pressure gauges Type D2

benefits

- for pneumatic and heating system applications (NG 40 - 50 - 63)
- for domestic technology and mechanical engineering applications (NG 80 - 100 - 160)
- robust steel housing
- window with adjustable reference pointer (NG 80 - 100)
- with reference pointer on dial (NG 160)
- Accuracy class 1.6
- many customised versions available

Application

For gaseous and liquid media which are not highly viscous, do not crystallise and do not attack copper alloys.
! For measuring gas or vapour, observe the table "Selection Criteria as per EN 837-2"!

Technical Specifications

Type
D2

Nominal size
50

accuracy class (EN 837-1/6)
1.6

ranges (EN 837-1/5)
see ordering table

application area
static load: $\frac{3}{4}$ x full scale value
dynamic load: $\frac{2}{3}$ x full scale value
short-term: Full scale value

Operating temperature range
Medium: max. 60 °C
Ambient: -20/+60 °C

Temperature performance

Indication error when the temperature of the measuring system deviates from the normal temperature of 20 °C:
at rising temperature approx. ± 0.4 %/10 K
falling temperature approx. ± 0.4 %/10 K
of full scale value

Degree of protection
IP 32 (EN 60529)

Connection
Brass, centre back

Measuring element
Bourdon tube, Copper alloy
 ≤ 60 bar: "C" type tube
 > 60 bar: helical tube

movement
Brass

Dial
NG 50
Plastic, white
D251

Scale
D251
dual scale, bar outer, black – psi inner, red

Pointer
NG 50

Housing
Sheet steel, black

push on bezel
NG 50

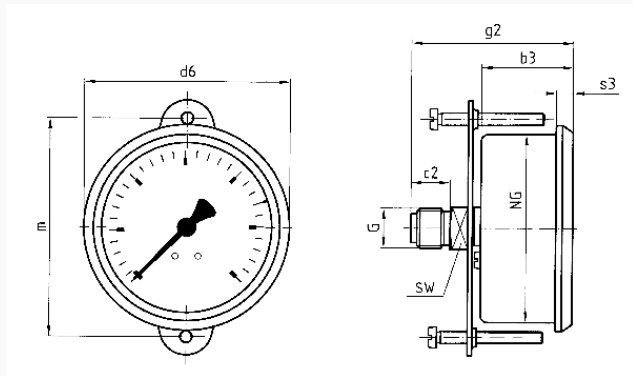
window
NG 50
Plastic, clipped in

Options

- Panel mounting bezel
- 3-hole fixing, panel mounting bezel
- throttle screw
- Reference pointer
- special scales
- other process connections

Technical Drawings

NG 40/50/63 – centre back connection, panel mounting bezel with clamp fixing



Dimensions (mm)

| NG | b3 | c2 | d6 | g2 | G | m | s3 | SW |
|----|------|----|------|------|-------------------|------|-----|----|
| 40 | 28 | 10 | 44 | 46,6 | G $\frac{1}{8}$ B | 50 | 5,2 | 12 |
| 50 | 30,3 | 13 | 54 | 51,3 | G $\frac{1}{4}$ B | 45 | 5,4 | 14 |
| 63 | 30,3 | 13 | 67,8 | 53,3 | G $\frac{1}{4}$ B | 51,5 | 5,6 | 14 |

Versions

| Range | Mounting type | Type | Part number |
|---------|---|--------------|-------------|
| 0/4 bar | Panel mounting bezel, with clamp fixing | RF50 D251 | 85063251 |

- in-stock items
- Non-stock items