



## Stainless steel Bourdon tube pressure gauges RF40E

Part no. 85015302

Stainless steel Bourdon tube pressure gauges Type D3

### benefits

- extremely compact design
- wetted parts and movement made of stainless steel
- Pressure connection welded to housing
- optional for control cabinet mounting
- tightness-tested with helium
- GOSSTANDART-certified

### Application

For corrosive gaseous and liquid media which are not highly viscous and do not crystallise.

! For measuring gas or vapour, observe the table "Selection Criteria as per EN 837-2" (see appendix)!

### Technical Specifications

#### Type

D3

#### Nominal size

40

#### accuracy class (EN 837-1/6)

2.5

#### ranges (EN 837-1/5)

see ordering table

#### application area

static load:  $\frac{3}{4}$  x full scale value  
dynamic load:  $\frac{2}{3}$  x full scale value  
short-term: Full scale value

#### Operating temperature range

Medium: max. 100 °C  
Ambient: -20/+60 °C

#### Temperature performance

Indication error when the temperature of the measuring system deviates from the normal temperature of 20 °C:  
at rising temperature approx.  $\pm 0.4$  %/10 K  
falling temperature approx.  $\pm 0.4$  %/10 K  
of full scale value

#### Degree of protection

IP 32 (EN 60529)

#### Connection

Stainless steel 316 L, bottom

#### Measuring element

Bourdon tube, Stainless steel 316 L  
 $\leq 60$  bar: "C" type tube  
> 60 bar: helical tube  
tightness-tested with helium

#### movement

Stainless steel

**Dial**  
Aluminium, white  
Scaling: black

**Pointer**  
Aluminium, black

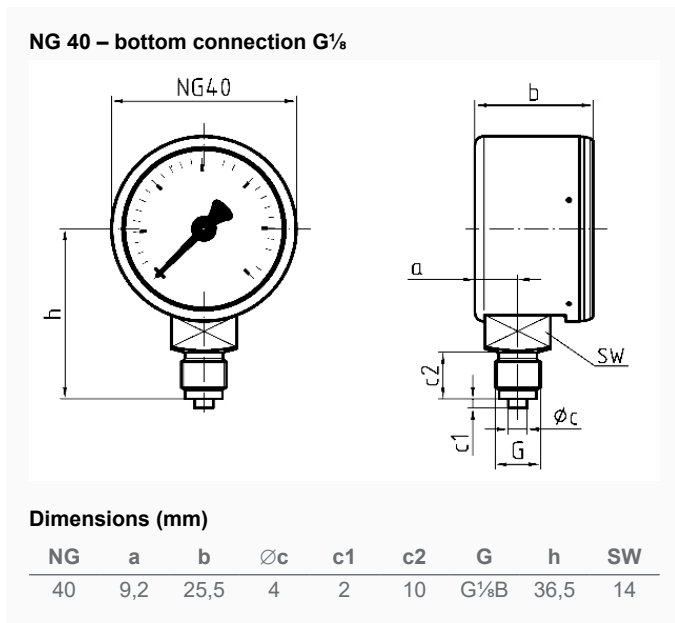
**Housing**  
Stainless steel 304

**window**  
Plastic, clipped in

**Options**

- 3-hole fixing, panel mounting bezel
- special scales
- other process connections
- oil- and grease-free version

**Technical Drawings**



**Versions**

Range	Mounting type	Type	Part number
0/10 bar	direct	RF40E D302	85015302

- in-stock items
- Non-stock items