



## Precision Bourdon tube pressure gauges RF160F

Part no. 85704401

Precision Bourdon tube pressure gauges Type D4 - class 0.6

### benefits

- high accuracy (class 0.6)
- housing can be sealed
- Serial number on dial
- suitable as measuring equipment as per QA requirements
- DNV- and GOSSTANDART-certified

### Application

For gaseous and liquid media which are not corrosive and not highly viscous and which do not crystallise. For high measuring accuracy. ! For measuring gas or vapour, observe the table "Selection Criteria as per EN 837-2" (see appendix)!

### Technical Specifications

**Type**  
D4

**Nominal size**  
160

**accuracy class (EN 837-1/6)**  
0.6

**ranges**  
see ordering table

**Calibration medium**  
≤ 40 bar  
Air

**application area**  
static load: Full scale value  
dynamic load: 0.9 x full scale value

### Operating temperature range

Medium: max. 60 °C  
Ambient: -20/+60 °C

### Temperature performance

Indication error when the temperature of the measuring system deviates from the normal temperature of 20 °C:  
at rising temperature approx. ± 0.4 %/10 K  
falling temperature approx. ± 0.4 %/10 K  
of full scale value

### Degree of protection

IP 54 (EN 60529)

### Connection

Brass, bottom

### Measuring element

Bourdon tube  
≤ 60 bar: "C" type tube, Copper alloy  
> 60 bar: helical tube, stainless steel 316 Ti/316 L

**movement**

Brass/nickel silver, jewel bearing

**Dial**

Aluminium, white  
Scaling: black  
NG 160

**Pointer**

knife edge pointer  
Aluminium, black

**Housing**

Stainless steel 304

**bayonet bezel**

Stainless steel 304

**window**

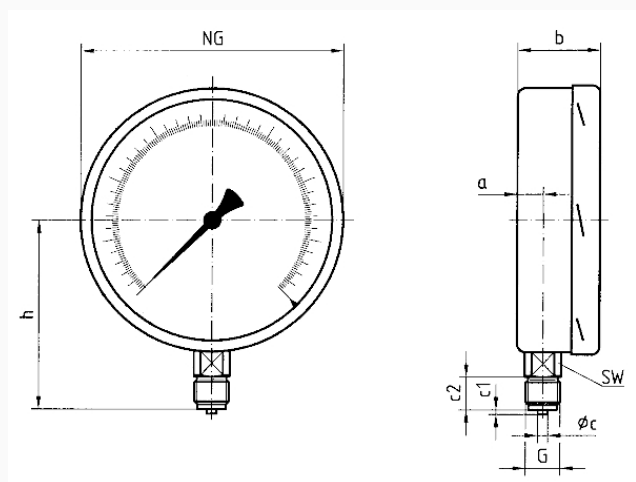
Plastic (PMMA)

**Options**

- factory test certificates
- Glycerine filling (type D 8) > 2.5 bar
- wetted parts stainless steel (type D 4x2)
- laminated safety glass window
- back flange
- 3-hole fixing, panel mounting bezel
- throttle screw
- special scales
- other process connections

**Technical Drawings**

**Bottom connection**



**Dimensions (mm)**

NG	a	b	∅c	c1	c2	G	h	SW
160	17,5	50	6	3	20	G½B	116	22
250	16	57	6	3	20	G½B	165	22

## Versions

Range	Mounting type	Type		Part number
-1/+3 bar	direct	RF160F D401	<input type="radio"/>	85704401

- in-stock items
- Non-stock items