



Precision Bourdon tube pressure gauges RF160F

Part no. 85720401

Precision Bourdon tube pressure gauges Type D4 - class 0.6

benefits

- high accuracy (class 0.6)
- housing can be sealed
- Serial number on dial
- suitable as measuring equipment as per QA requirements
- DNV- and GOSSTANDART-certified

Application

For gaseous and liquid media which are not corrosive and not highly viscous and which do not crystallise. For high measuring accuracy. ! For measuring gas or vapour, observe the table "Selection Criteria as per EN 837-2" (see appendix)!

Technical Specifications

Type
D4

Nominal size
160

accuracy class (EN 837-1/6)
0.6

ranges
see ordering table

Calibration medium
> 40 bar
Water

application area
static load: Full scale value
dynamic load: 0.9 x full scale value

Operating temperature range

Medium: max. 60 °C
Ambient: -20/+60 °C

Temperature performance

Indication error when the temperature of the measuring system deviates from the normal temperature of 20 °C:
at rising temperature approx. $\pm 0.4 \%$ /10 K
falling temperature approx. $\pm 0.4 \%$ /10 K
of full scale value

Degree of protection

IP 54 (EN 60529)

Connection

Brass, bottom

Measuring element

Bourdon tube
 ≤ 60 bar: "C" type tube, Copper alloy
> 60 bar: helical tube, stainless steel 316 Ti/316 L

movement

Brass/nickel silver, jewel bearing

Dial

Aluminium, white
Scaling: black
NG 160

Pointer

knife edge pointer
Aluminium, black

Housing

Stainless steel 304

bayonet bezel

Stainless steel 304

window

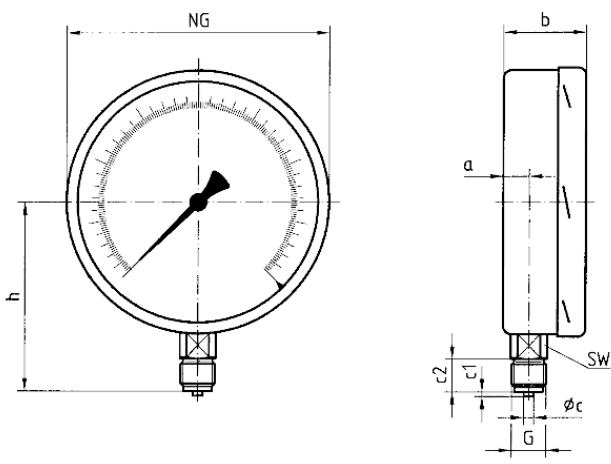
Plastic (PMMA)

Options

- factory test certificates
- Glycerine filling (type D 8) > 2.5 bar
- wetted parts stainless steel (type D 4x2)
- laminated safety glass window
- back flange
- 3-hole fixing, panel mounting bezel
- throttle screw
- special scales
- other process connections

Technical Drawings

Bottom connection



Dimensions (mm)

NG	a	b	Øc	c1	c2	G	h	SW
160	17,5	50	6	3	20	G½B	116	22
250	16	57	6	3	20	G½B	165	22

Versions

Range	Mounting type	Type		Part number
0/100 bar	direct	RF160F D401	<input type="radio"/>	85720401

- in-stock items
- Non-stock items