



## Bourdon tube pressure gauges for industrial applications RF160I

Part no. 85357411

Bourdon tube pressure gauges for industrial applications Type D4

### benefits

- for machine and plant engineering
- robust, stainless steel housing with bayonet bezel
- can be equipped with electrical contact
- DNV-GL- and GOSSTANDART-certified

### Application

For gaseous and liquid media which are not highly viscous, do not crystallise and do not attack copper alloys. For high accuracy and rough application conditions.

! For measuring gas or vapour, observe the table "Selection Criteria as per EN 837-2" (see appendix)!

### Technical Specifications

**Type**  
D4

**Nominal size**  
160

**accuracy class (EN 837-1/6)**  
1.0

**ranges (EN 837-1/5)**  
see ordering table

**application area**  
 ≤ 600 bar: Full scale value  
 > 600 bar: ¼ x full scale value  
 ≤ 600 bar: 0.9 x full scale value  
 > 600 bar: ⅔ x full scale value  
 ≤ 600 bar: 1.3 x full scale value  
 > 600 bar: Full scale value

**Operating temperature range**  
 Medium: max. 60 °C  
 Ambient: -20/+60 °C

### Temperature performance

Indication error when the temperature of the measuring system deviates from the normal temperature of 20 °C:  
 at rising temperature approx. ± 0.4 %/10 K  
 falling temperature approx. ± 0.4 %/10 K  
 of full scale value

**Degree of protection**  
IP 54 (EN 60529)

**Connection**  
Brass, bottom back

**Measuring element**  
 Bourdon tube  
 ≤ 60 bar: "C" type tube, Copper alloy  
 > 60 bar: helical tube, stainless steel 316 Ti/316 L

**movement**  
Brass

**Dial**  
 Aluminium, white  
 Scaling: black

**Pointer**

Aluminium, black

**bayonet bezel**

Stainless steel 304

**Housing**

Stainless steel 304, with blow-out

**window**

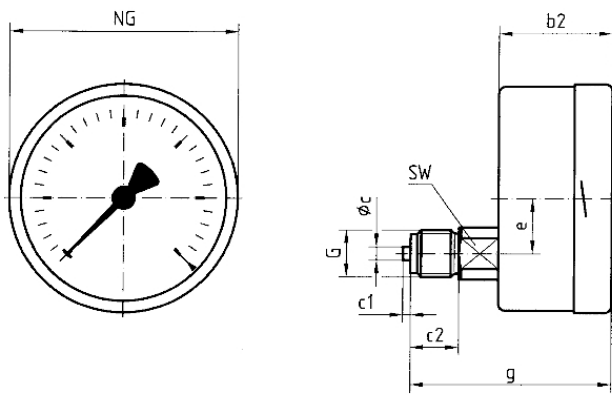
Instrument glass

**Options**

- back flange
- Panel mounting bezel
- 3-hole fixing, panel mounting bezel
- laminated safety glass window
- throttle screw
- Reference pointer
- Electrical contacts
- special scales
- other process connections

**Technical Drawings**

**bottom back connection**



**Dimensions (mm)**

NG	b2	∅c	c1	c2	e	G	g	SW
100	49	6	3	20	26,5	G½B	81	22
160	50	6	3	20	26,5	G½B	82	22
250	-	6	3	20	-	G½B	-	22

## Versions

Range	Mounting type	Type		Part number
-1/+15 bar	direct	RF160I D411	<input type="radio"/>	85357411

- in-stock items
- Non-stock items